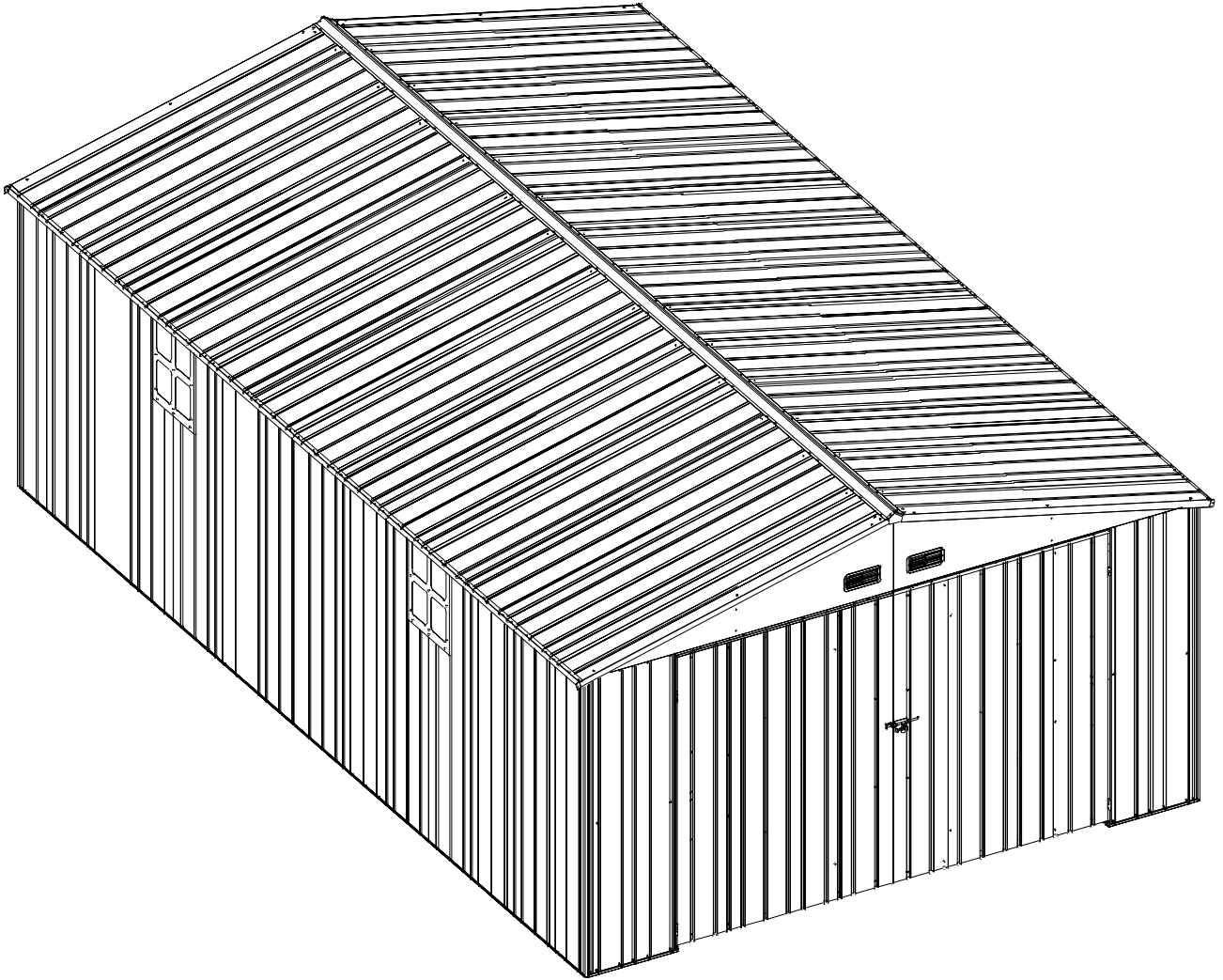


Assembly Instructions



Metal Shed 13.2X20.7FT Assembly Instruction

SKU:

YSS105-1A1A1(BOX1)

YSS105-1A1A2(BOX2)

YSS105-1A1A3(BOX3)

YSS105-1A1A4(BOX4)

YSS105-1A1A5(BOX5)

Arrive in 5 separate boxes and may not be part of the same shipment; Please install the product after receiving all the packages.

Email Address:support@wepatio.com

Tel: 901-347-2181

Service Time: 8 am - 5 pm (central time) Monday-Friday.

If no one picks up, please call several more times

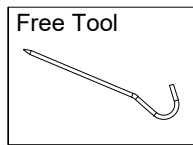
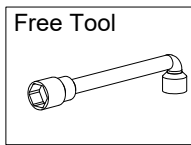
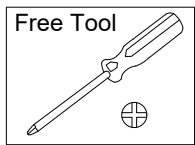
Assembly Instructions

1. Assembly Advice	Page 1
2. Parts List	Page 2-3
3. Door panel installation	Page 4- 10
4. Frame installation	Page 11- 55

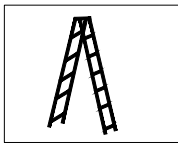
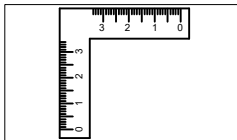
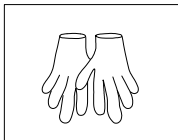
Assembly and Maintenance Advice

1. For safety purposes, we strongly recommend that this product is assembled by at least Four people.
2. Some components have sharp metal edges. Please be careful when handling metal components. Please wear gloves, shoes and safety goggles during assembly.
3. Lay all of the components on a soft carpet or blanket to avoid any scratches or damages.
4. DO NOT climb or stand on the roof. Heavy articles should not be leaned against the Storage Shed.
5. Keep the roof and gutter clear of snow, dirt & leaves. Allowing snow to build up on the roof may damage the product.
6. Unlike steel, if the paint finish is scratched this will not harm the aluminium underneath.
7. When your product needs cleaning, use a mild detergent solution and rinse with cold clean water. Do not use acetone, abrasive cleaners or strong detergents to clean the panels.

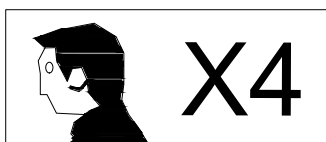
Tools Provided:

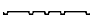


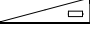
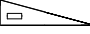
Tools Required when Assembly (Not Provided)

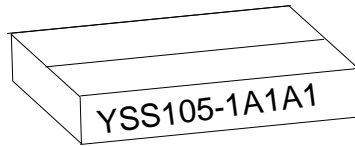


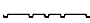
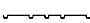

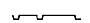
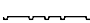
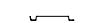

Assembly at least by four Persons , Installation Video available, recommend to start work with manual and video together



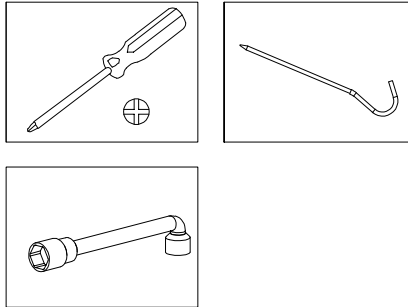
PART	NO	QTY
	C01B	20

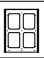
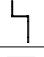

PART	NO	QTY
	C10G	2
	C10H	2

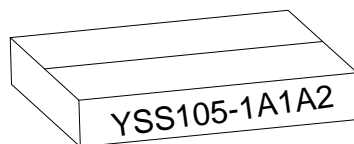



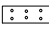



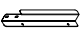
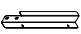












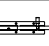
PART	NO	QTY
	C01B	10
	C23H	2
	C23F	2
	C23G	2
	C01M	1
	C22W	1
	C01O	4

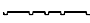
Tools Provided:

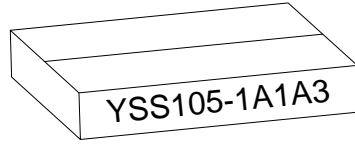




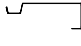








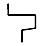
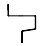

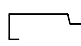
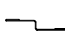

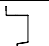

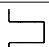

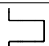
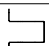
PART	NO	QTY
	D358	4
	D359	4
	Y1	4

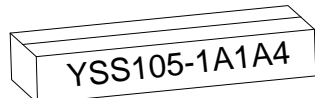




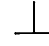
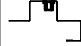
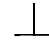


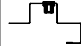










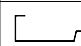

PART	NO	QTY
	D353	2
	D354	18
	D355	7
	D356	2
	D380	1
	D384L	2
	D384R	2
	H170	9
	H127	210
	H145	2
	H147	1
	S63 M4X12	30
	S74 M4X8	1110
	M08 M5	1
	M25 M4	1153
	S75 M4X10	54
	J156	45
	Z40 M5X40	45
	J211	4
	H164	2

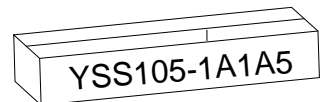
PART	NO	QTY
	C01G	26



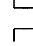


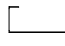

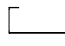




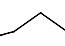
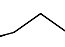
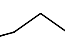





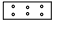



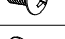

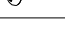




	PART	NO	QTY
1		C02C	3
		C02J	3
		C11G	2
2		C03B	4
		C05H	2
		C05I	2
		C06B	1
		C07N	2
		C08H	2
		C08I	1
		C13H	2
	3		C04W
		C04X	1
		C04G	1
		C11H	2
		C16D	1
		C19N	2
4		C04Z	1
5		C09H	1
		C20B	4
6		C14Y	1
7		C20H	2
		C21D	4



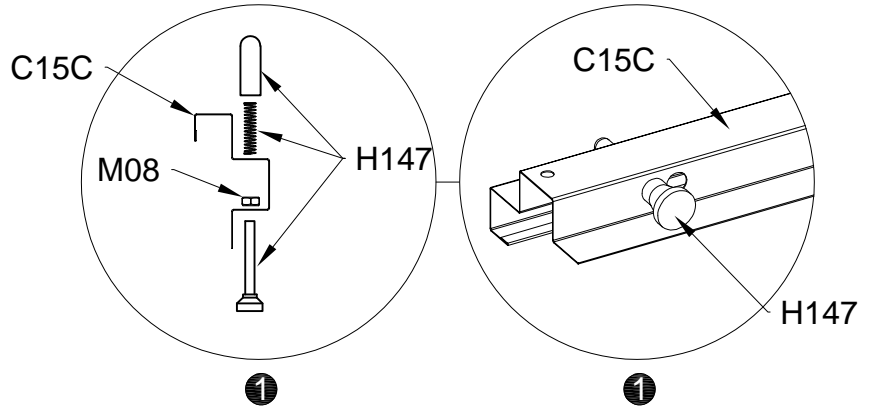
	PART	NO	QTY
1		C02G	2
		C15A	2
2		C02I	2
		C15C	2
3		C02Q	1
		C15D	1
4		C02R	1
		C15E	1
5		C07F	2
		C07G	2
		C07L	2
6		C08G	2
		C08M	4
		C28S	2
		C28P	4
		C08J	1
		C08K	1
		C08P	1
		C14K	2
7		C17C	2



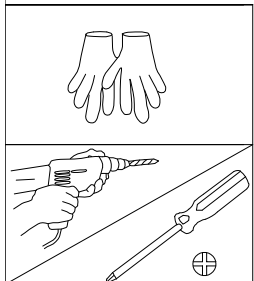
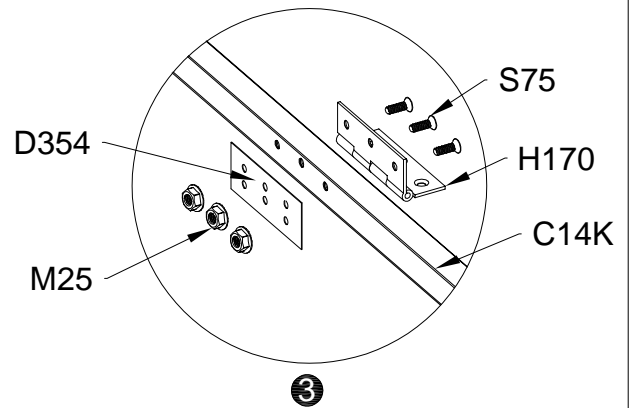
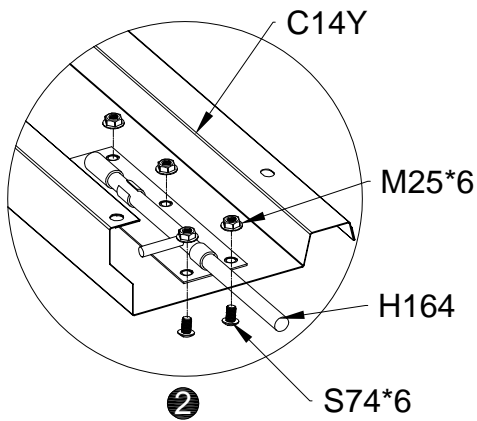
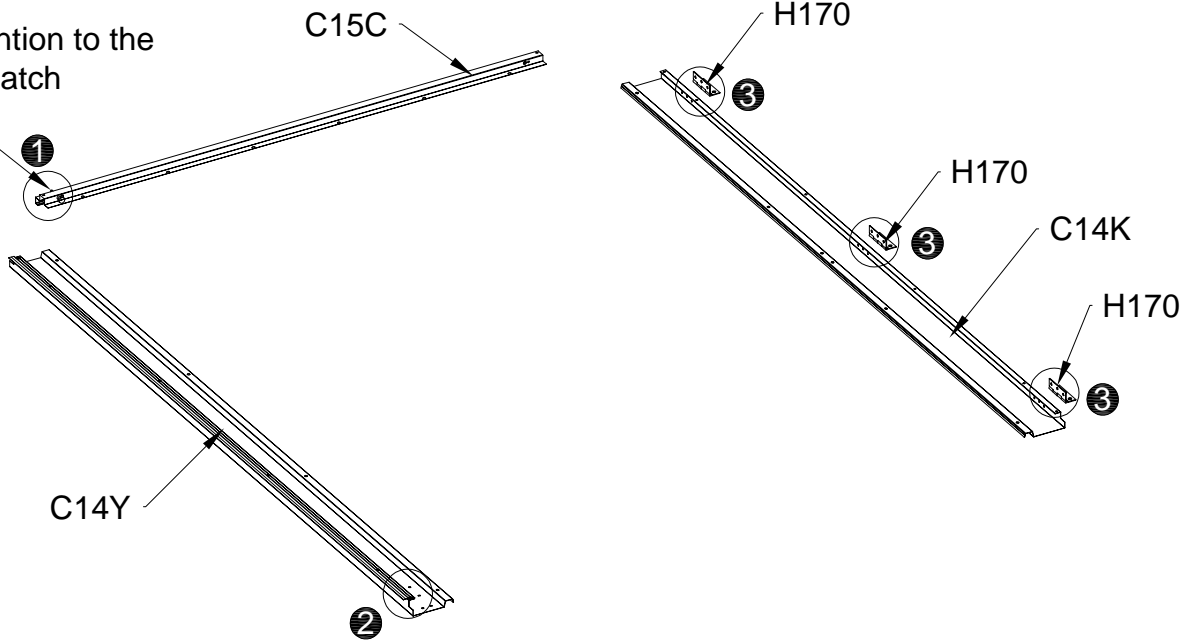
	PART	NO	QTY
8		C09E	2
		C09F	2
		C20F	2
9		C13G	2
		C13L	4
		C14J	1
		C14X	1
10		C14K	1
	11		C18F
		C18L	2
		C19G	2
		C30A	2
12		C12D	1
13		C12E	5
14		C12F	1

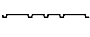
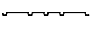
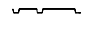
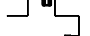
PART	NO	QTY
	C14K	1
	C14Y	1
	C15C	1
	D354	3
	H170	3
	H147	1
	M08	1
	M5	
	S74	6
	M4X8	
	M25	15
	M4	
	S75	9
	M4X10	

Left Door

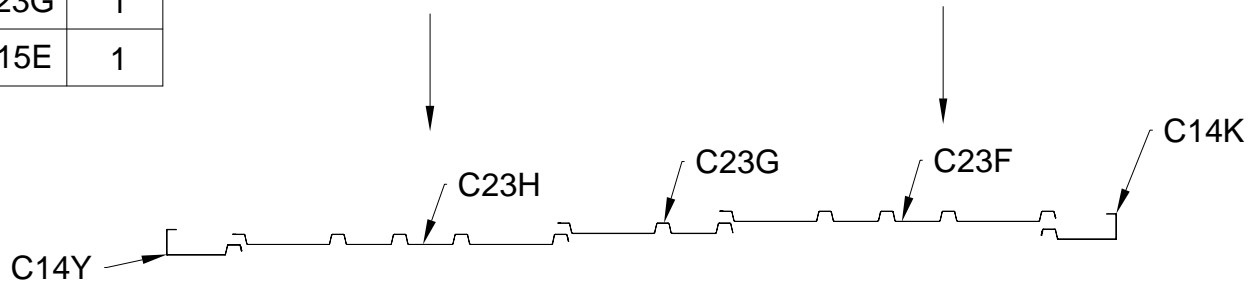


Please pay attention to the direction of the latch

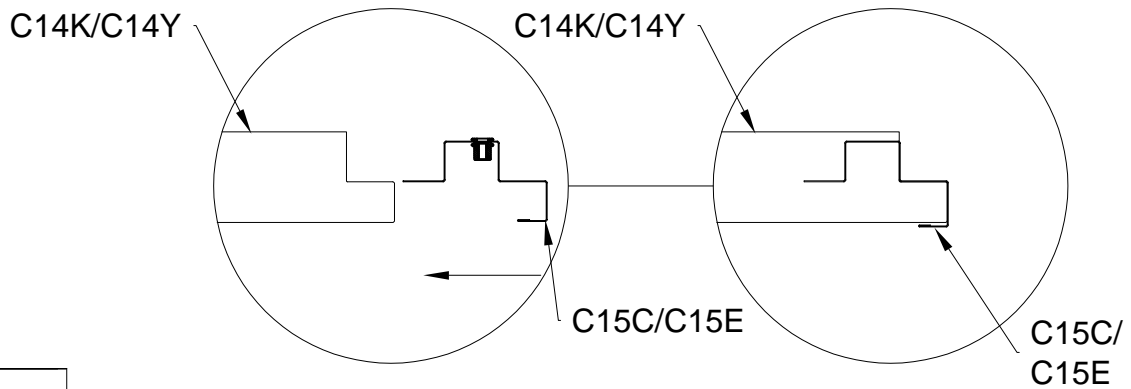
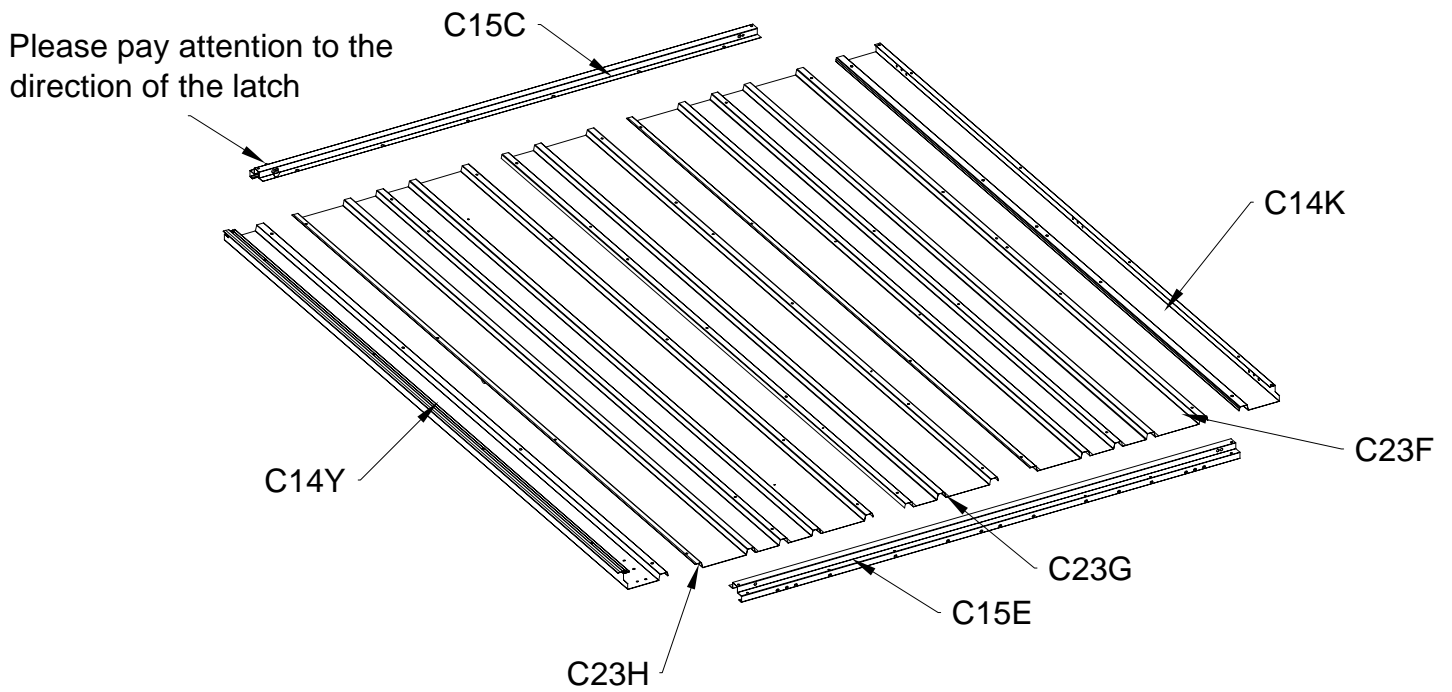


PART	NO	QTY
	C23H	1
	C23F	1
	C23G	1
	C15E	1

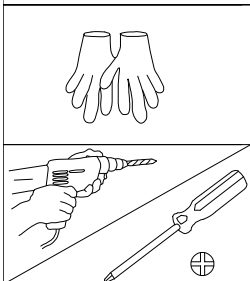
Left Door






Please stack the door frames of the door panels according to the instructions above.

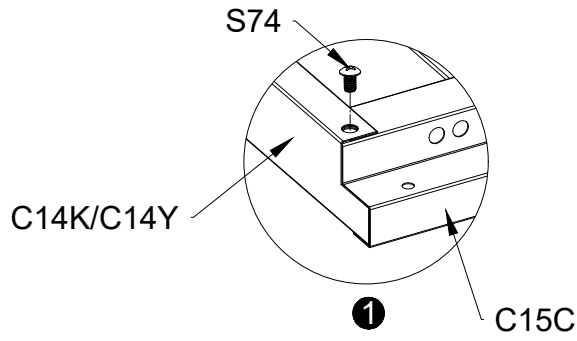


Pay attention to the connection method between C14K/C14Y and C15C/C15E.

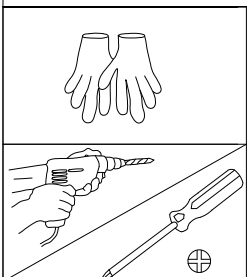
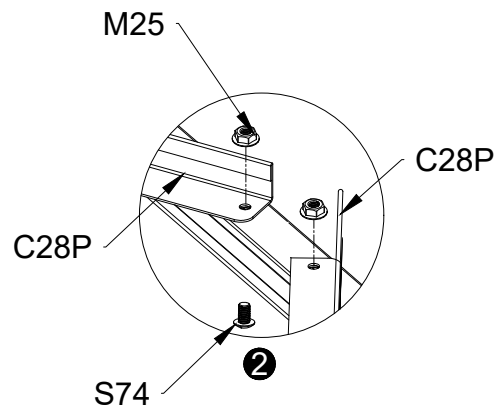
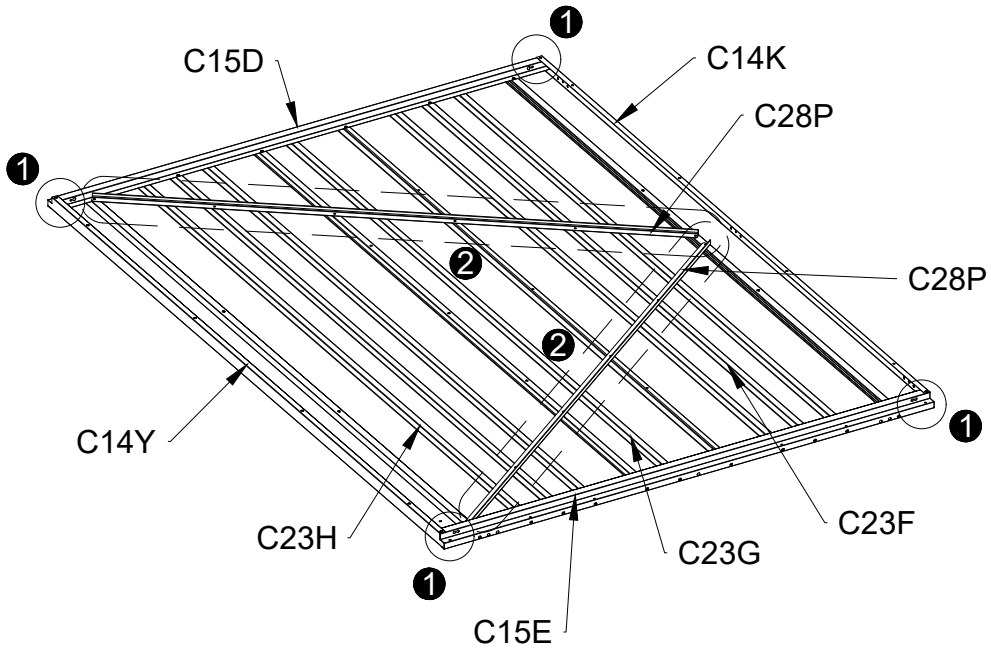




PART	NO	QTY
	C28P	2
	S74	16
	M4X8	
	M25	12
	M4	

Left Door

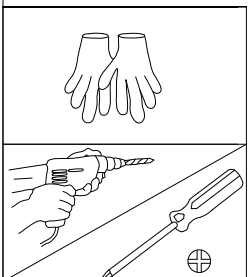
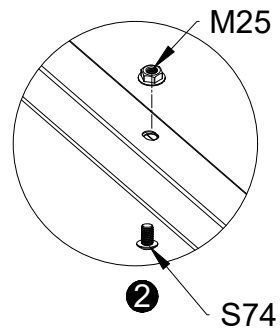
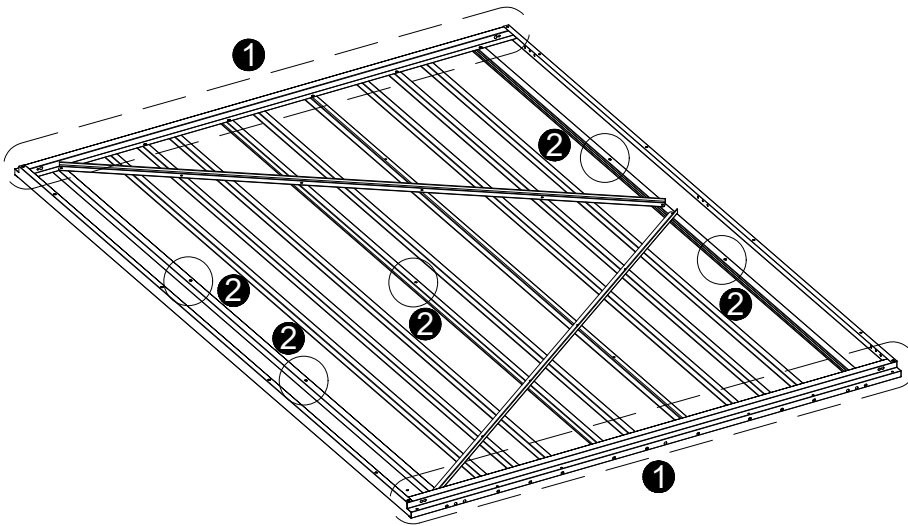
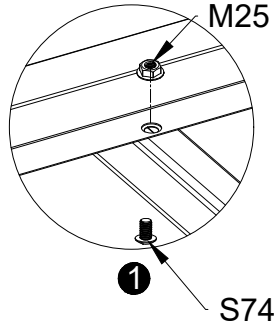


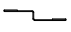


Make sure to fully insert the door panel before tightening the screws.



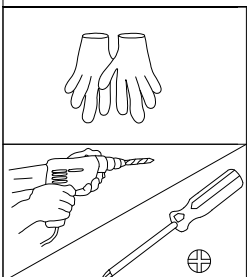
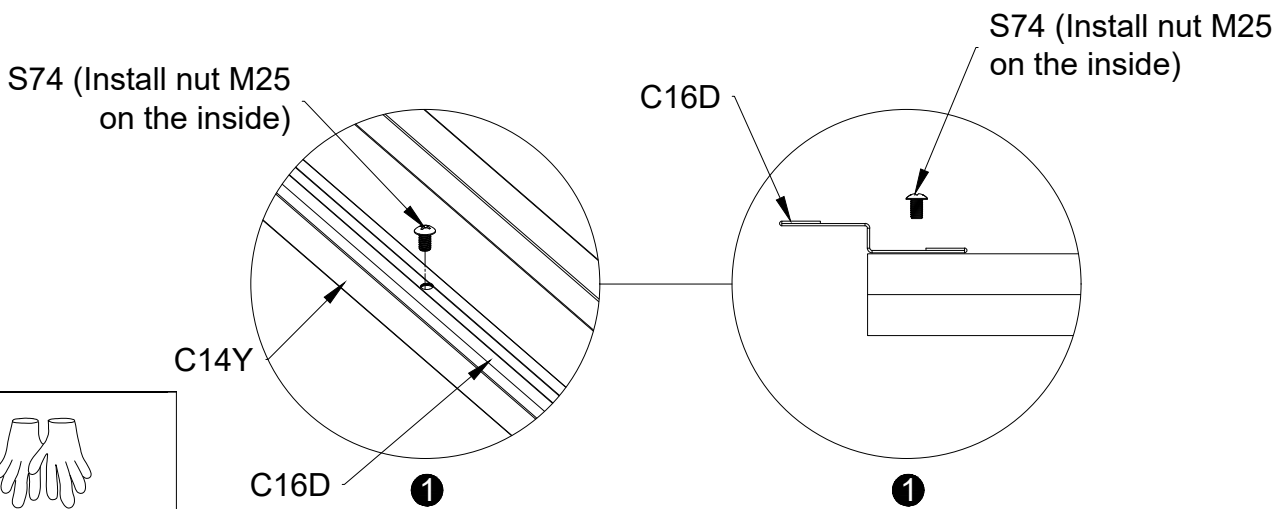
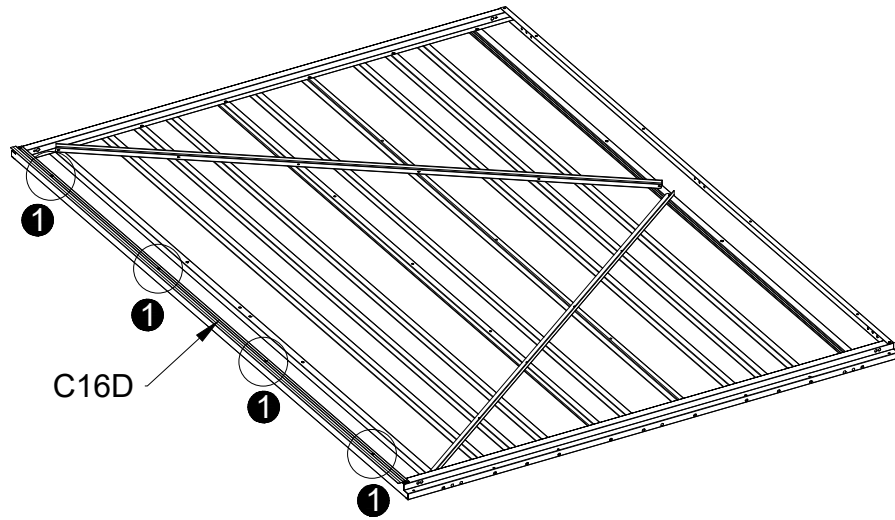
PART	NO	QTY
	S74	15
	M4X8	
	M25	15
	M4	

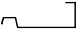
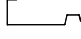
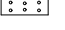



Left Door



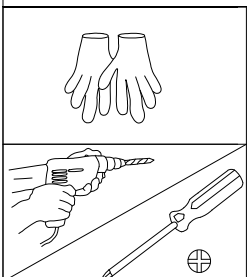
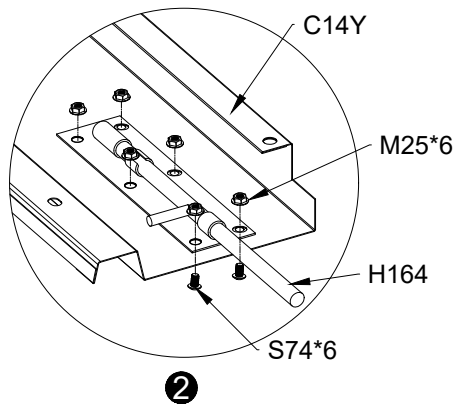
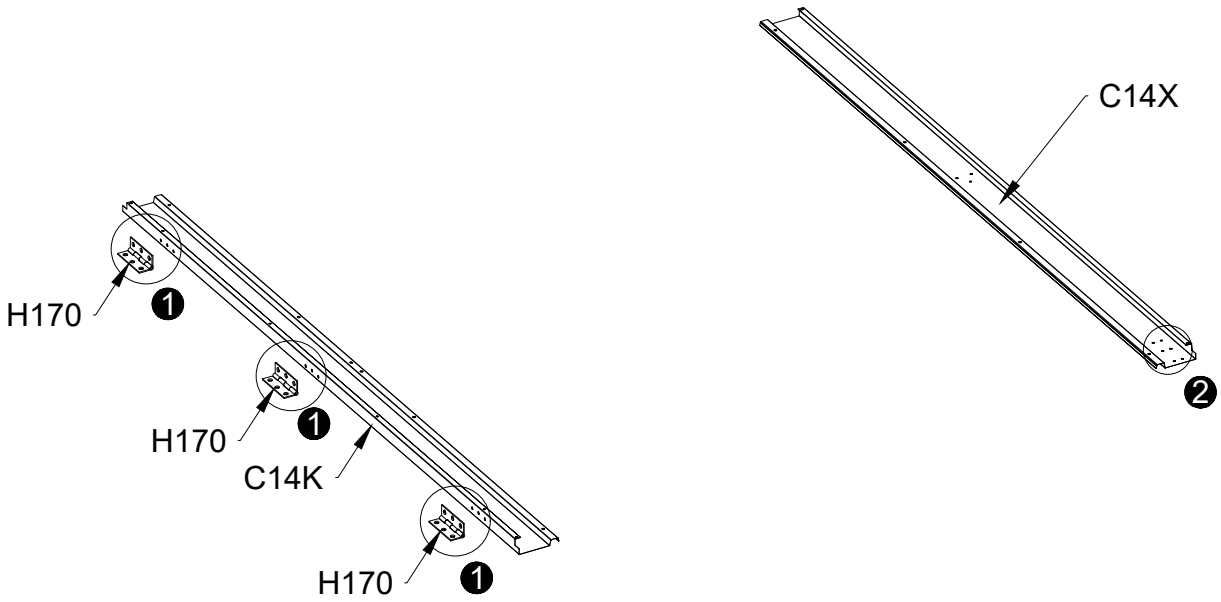
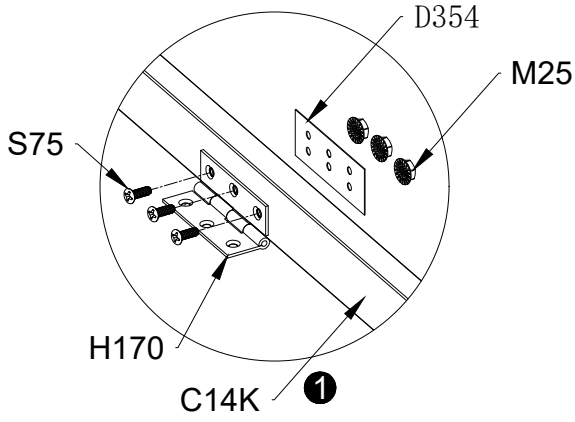
PART	NO	QTY
	C16D	1
	S74 M4X8	4
	M25 M4	4

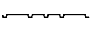
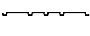
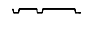
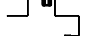
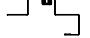
Left Door



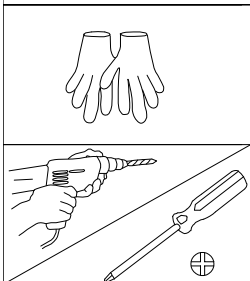
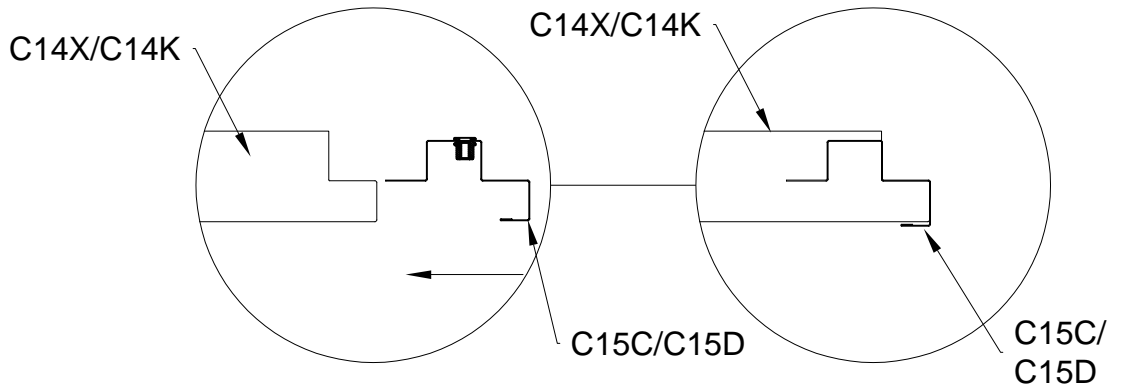
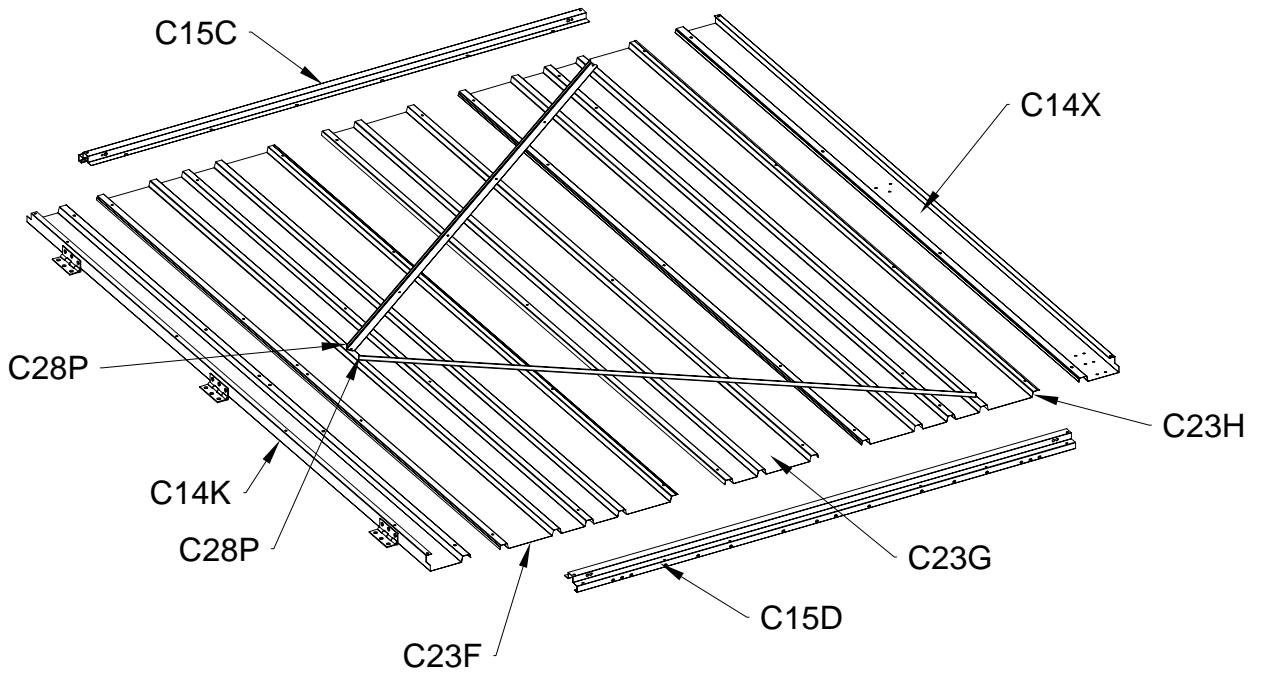
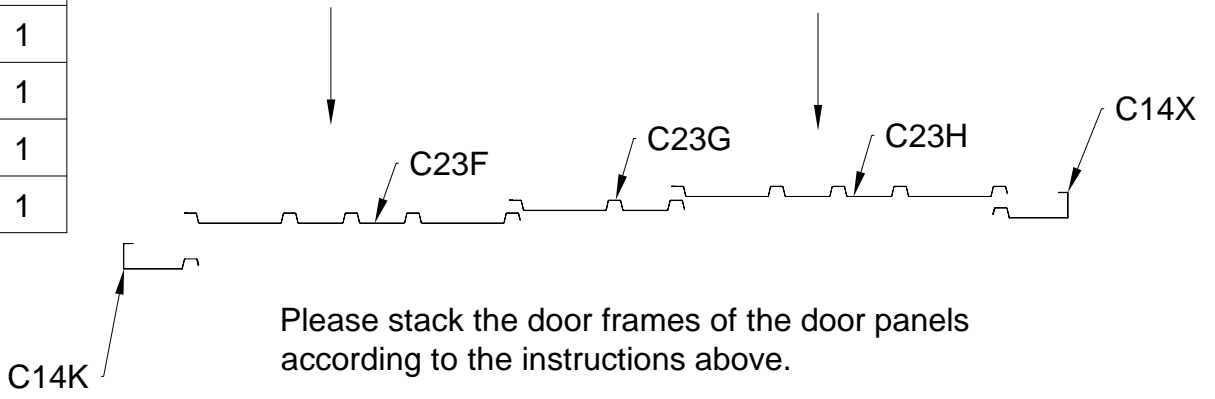
PART	NO	QTY
	C14X	1
	C14K	1
	D354	3
	H170	3
	S74 M4X8	6
	M25 M4	
	S75 M4X10	9

Right Door






PART	NO	QTY
	C23H	1
	C23F	1
	C23G	1
	C15C	1
	C15D	1

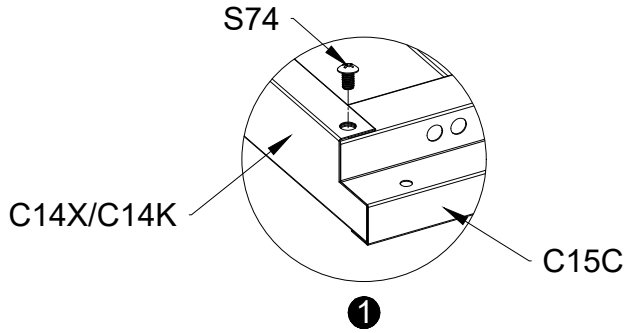
Right Door



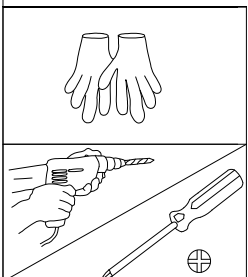
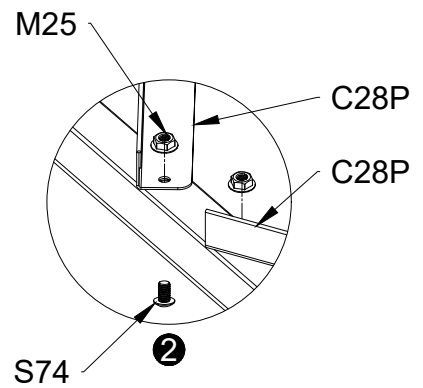
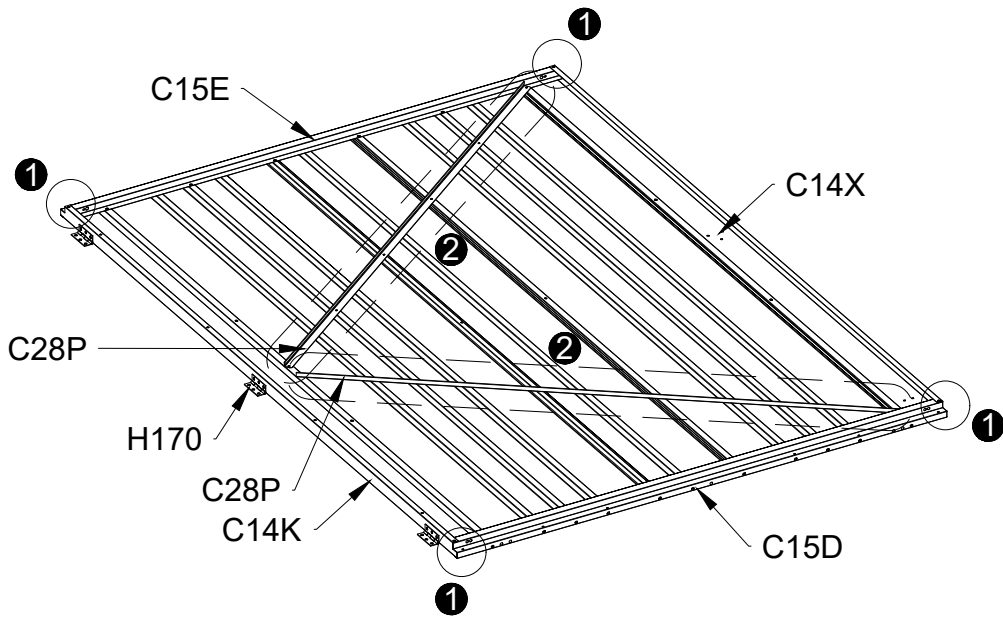
Pay attention to the connection method between C14X/C14K and C15C/C15D.



PART	NO	QTY
	C28P	2
	S74	16
	M4X8	
	M25	12
	M4	

Right Door

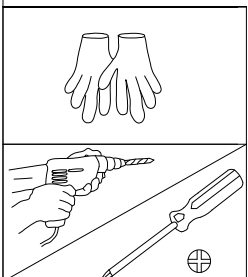
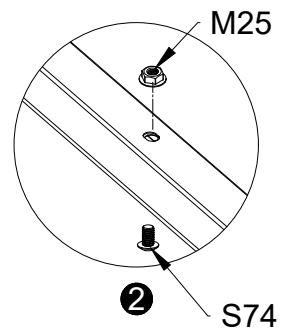
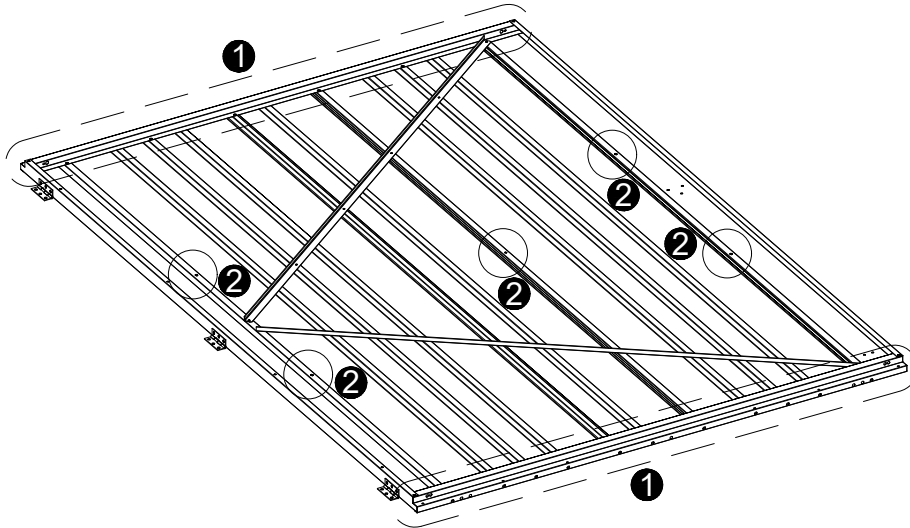
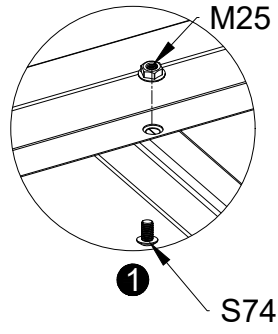


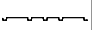

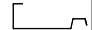

Make sure to fully insert the door panel before tightening the screws.



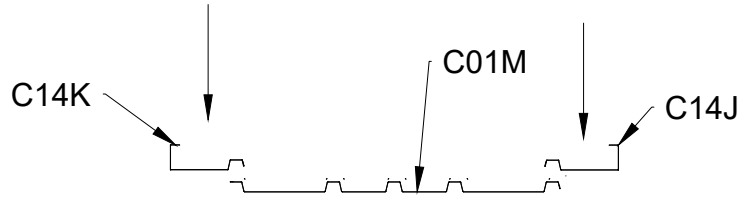
PART	NO	QTY
	S74	15
	M4X8	
	M25	15
	M4	

Right Door

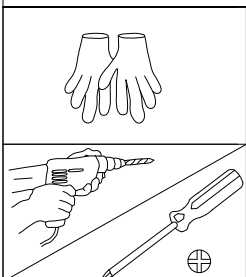
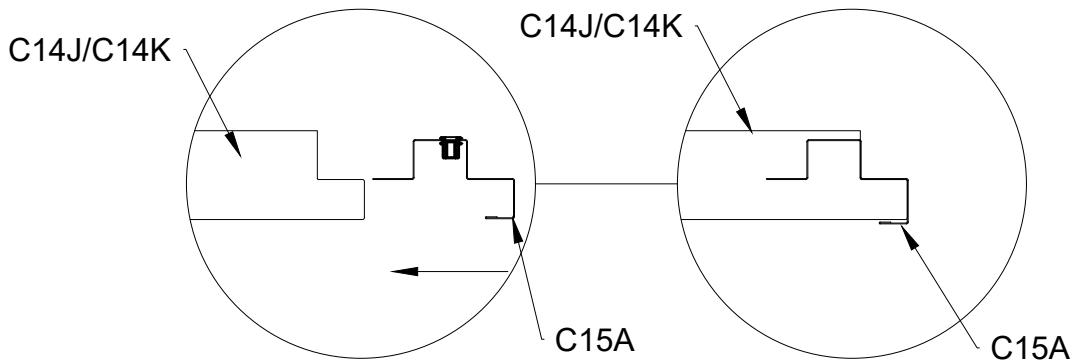
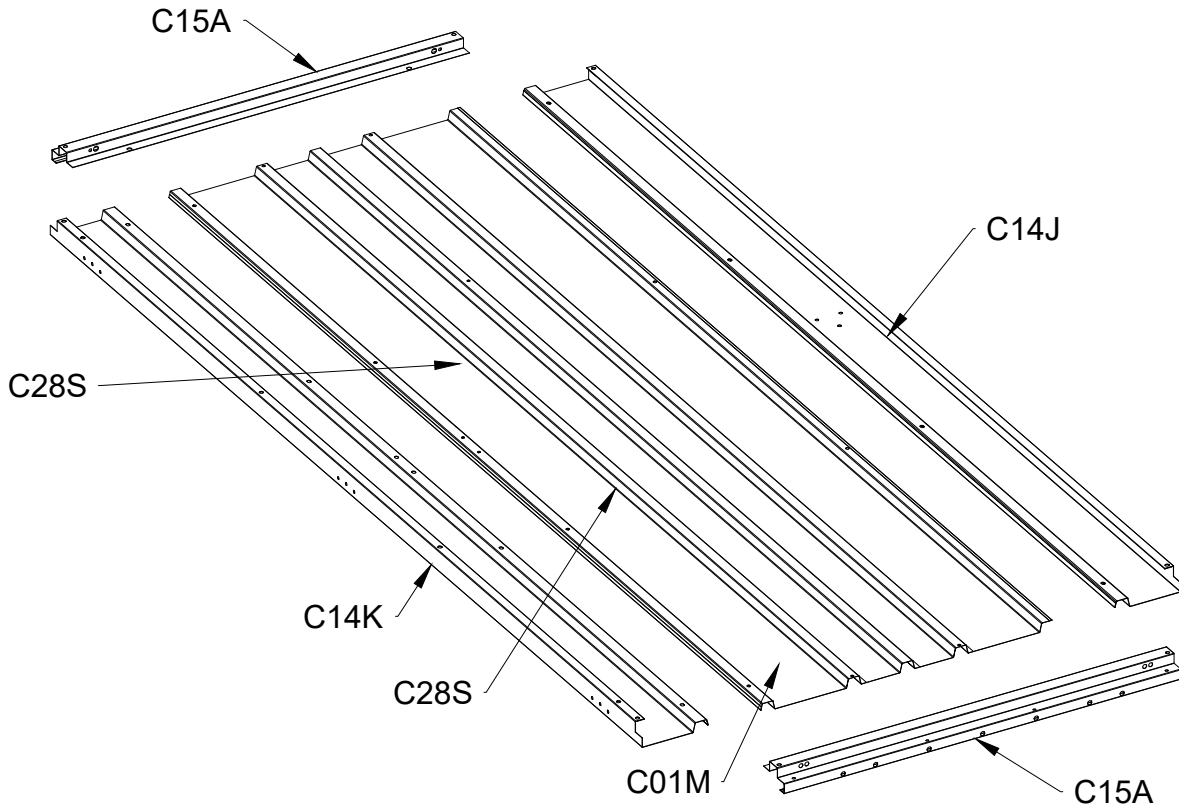


PART	NO	QTY
	C01M	1
	C14J	1
	C14K	1
	C15A	2


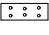


back door



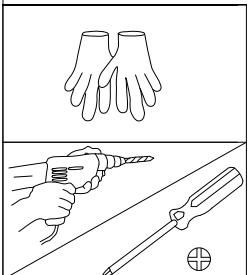
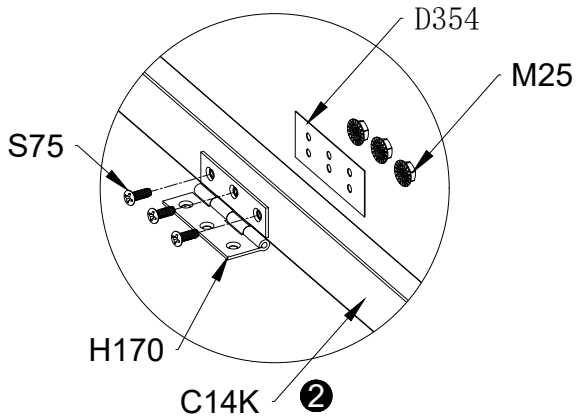
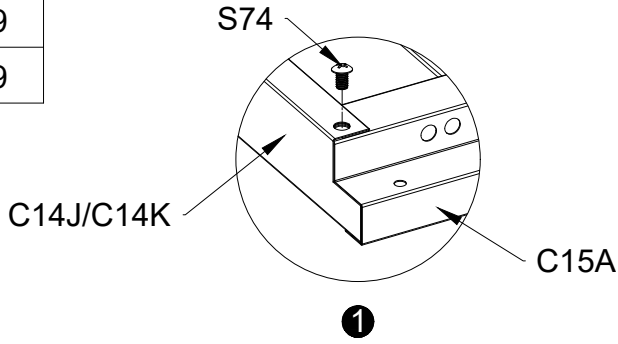
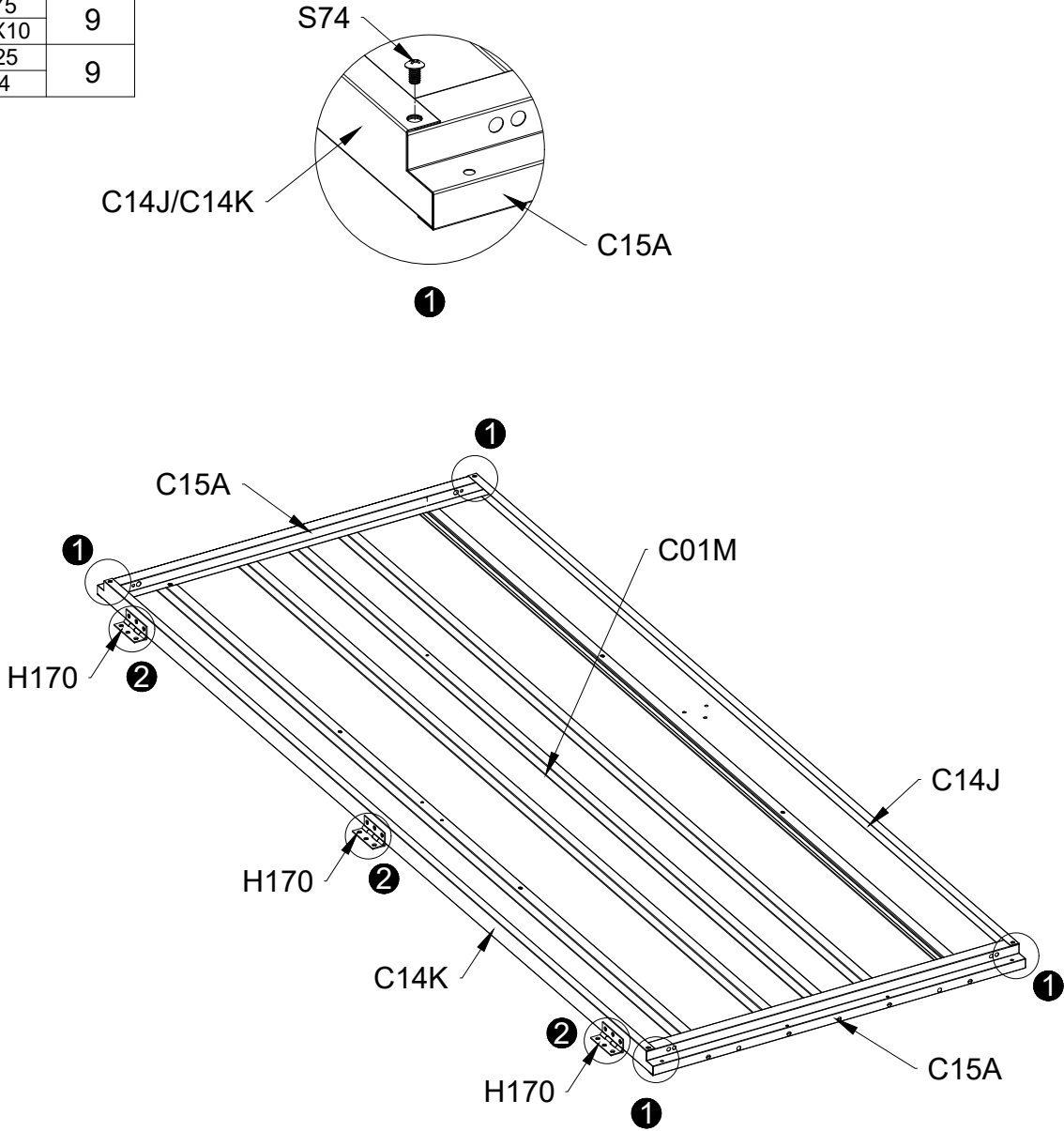
Please stack the door frames of the door panels according to the instructions above.


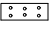




Pay attention to the connection method between C14J/C14K and C15A.

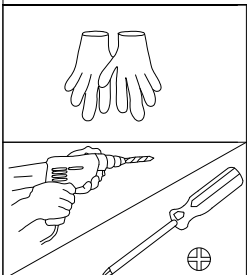
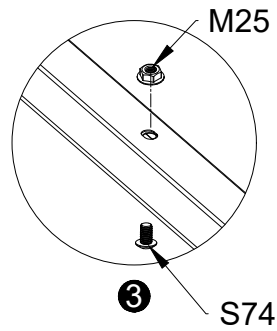
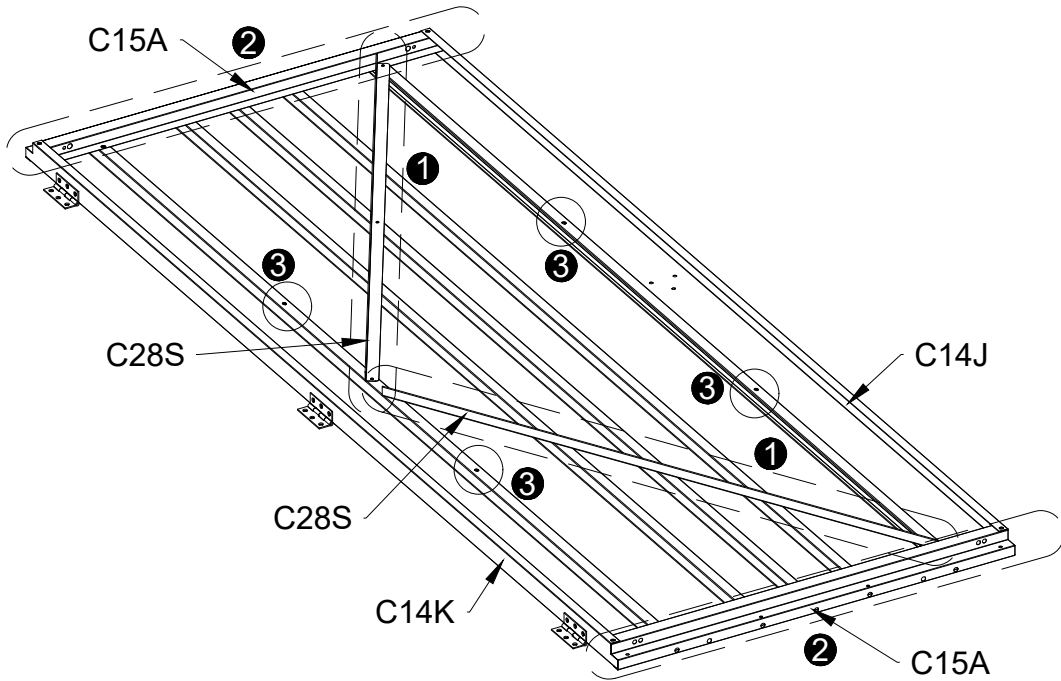
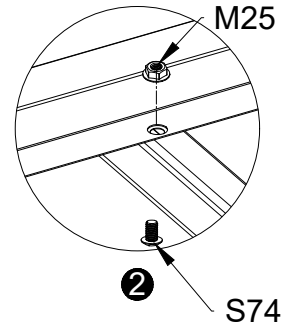
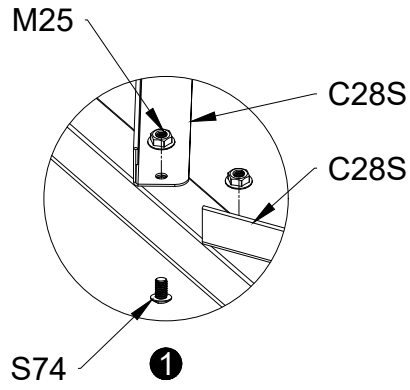
PART	NO	QTY
	H170	3
	D354	3
	S74 M4X8	4
	S75 M4X10	9
	M25	9
	M4	

back door



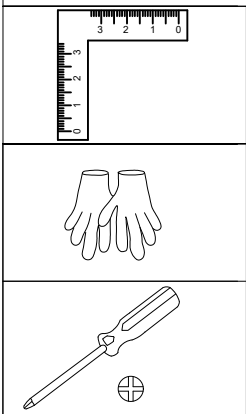
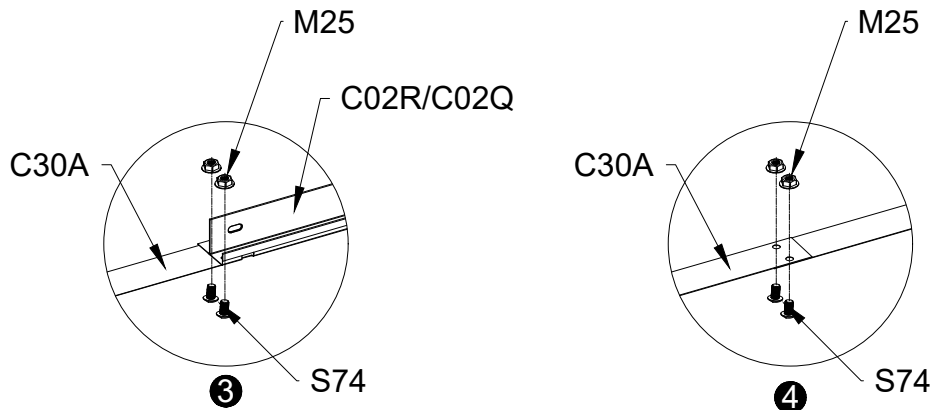
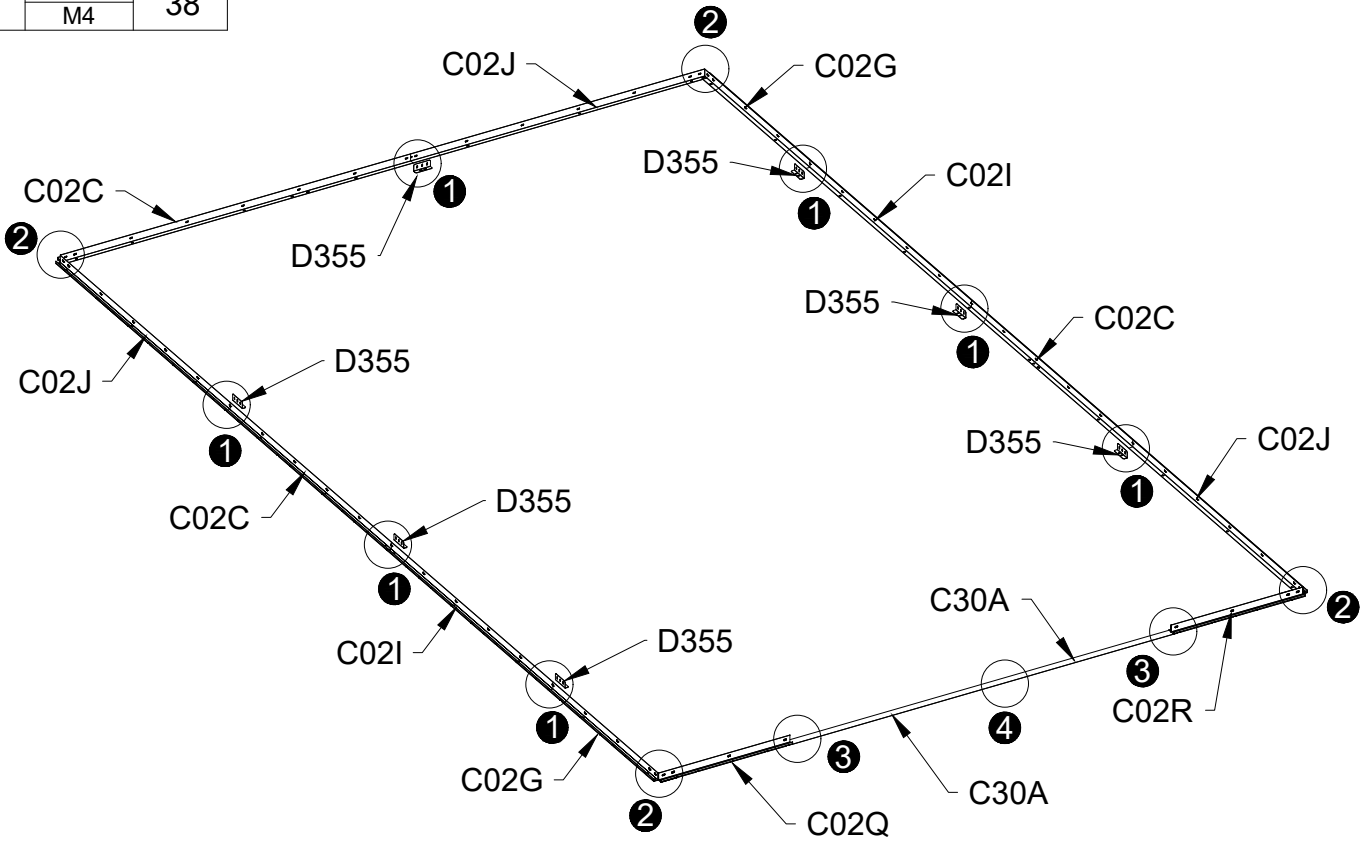
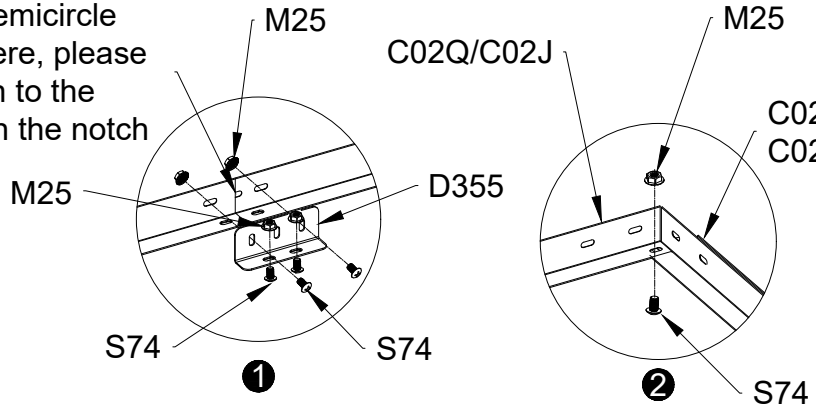
PART	NO	QTY
	C28S	2
	D354	3
	S74	16
	M4X8	
	M25	16
	M4	



back door

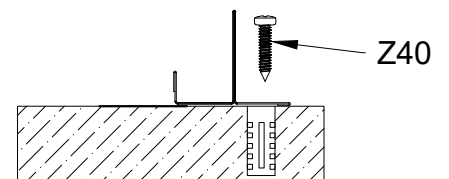
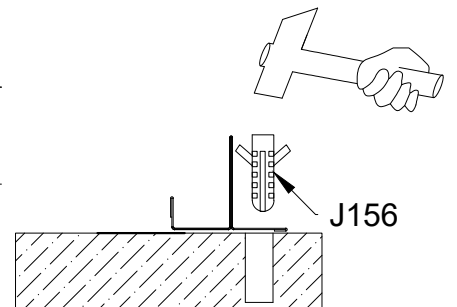
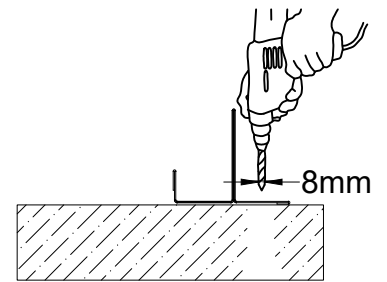
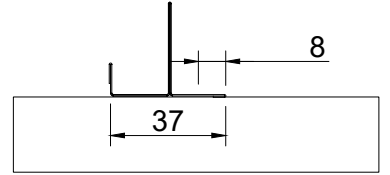
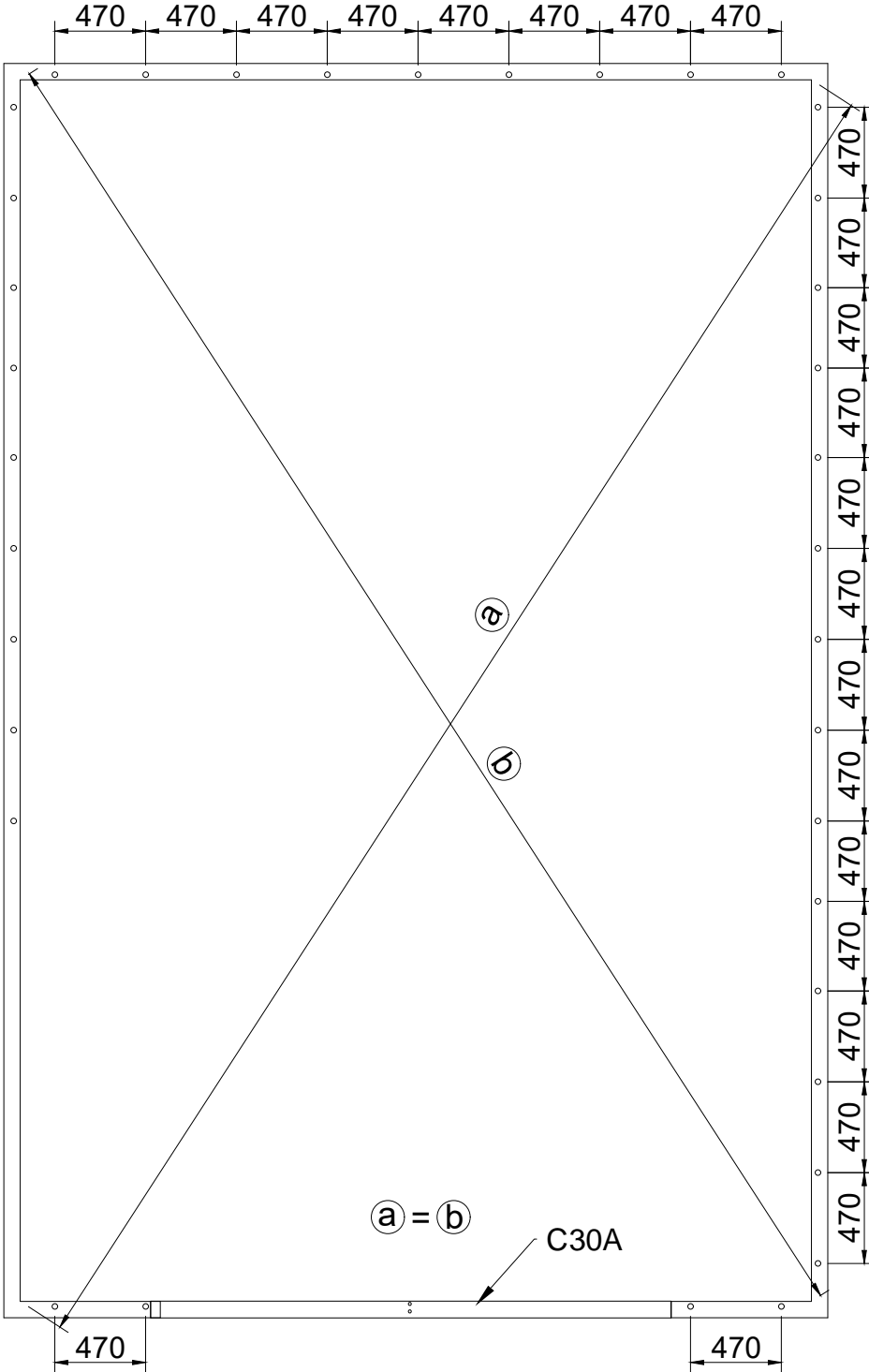


PART	NO	QTY
	C02C	3
	C02G	2
	C02I	2
	C02J	3
	C02Q	1
	C02R	1
	D355	7
	C30A	2
	S74 M4X8	38
	M25 M4	38

There is a semicircle hole mark here, please pay attention to the direction with the notch






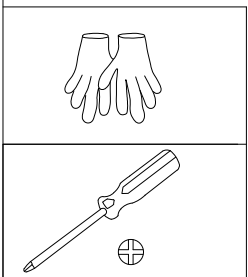
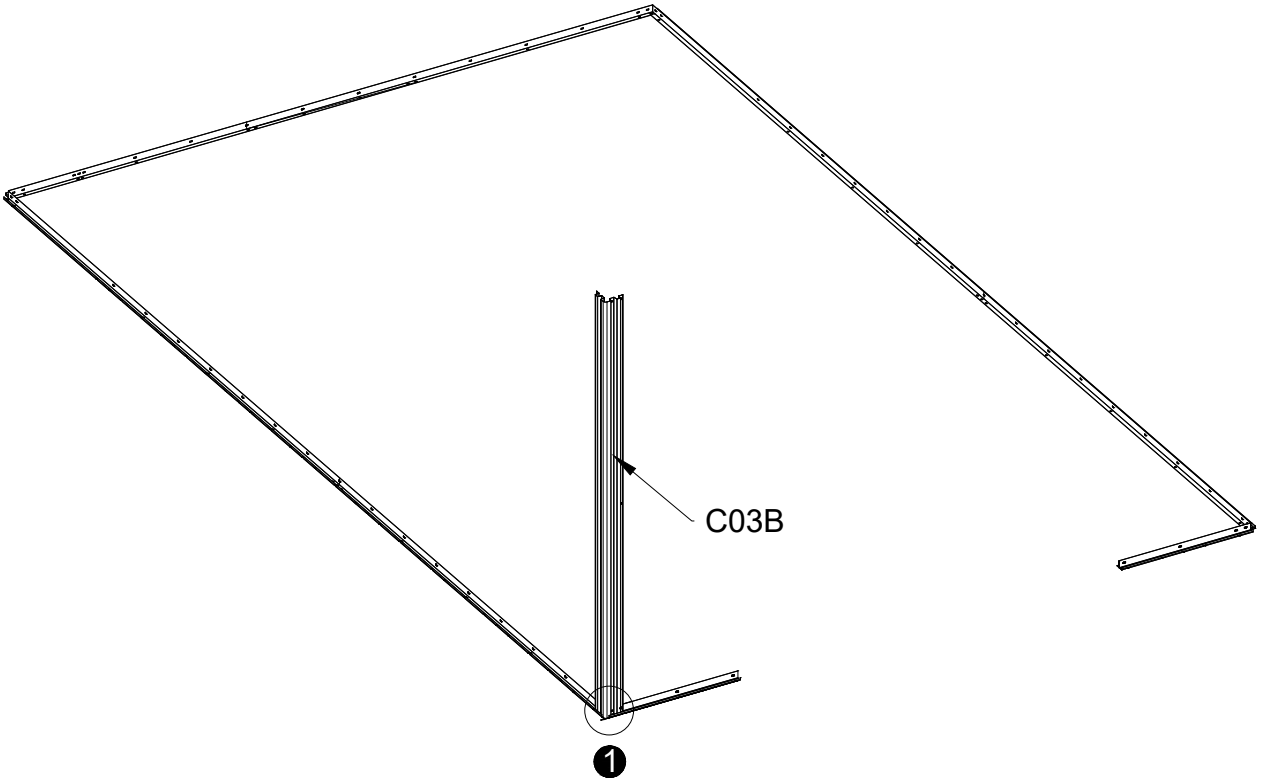
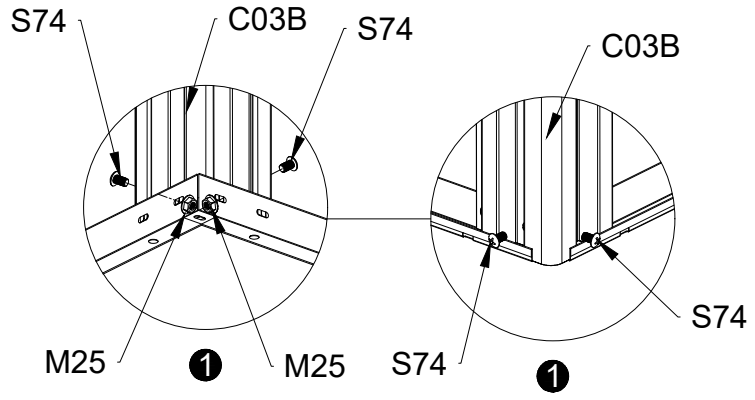
PART	NO	QTY
	J156	44
	Z40 M5X40	44







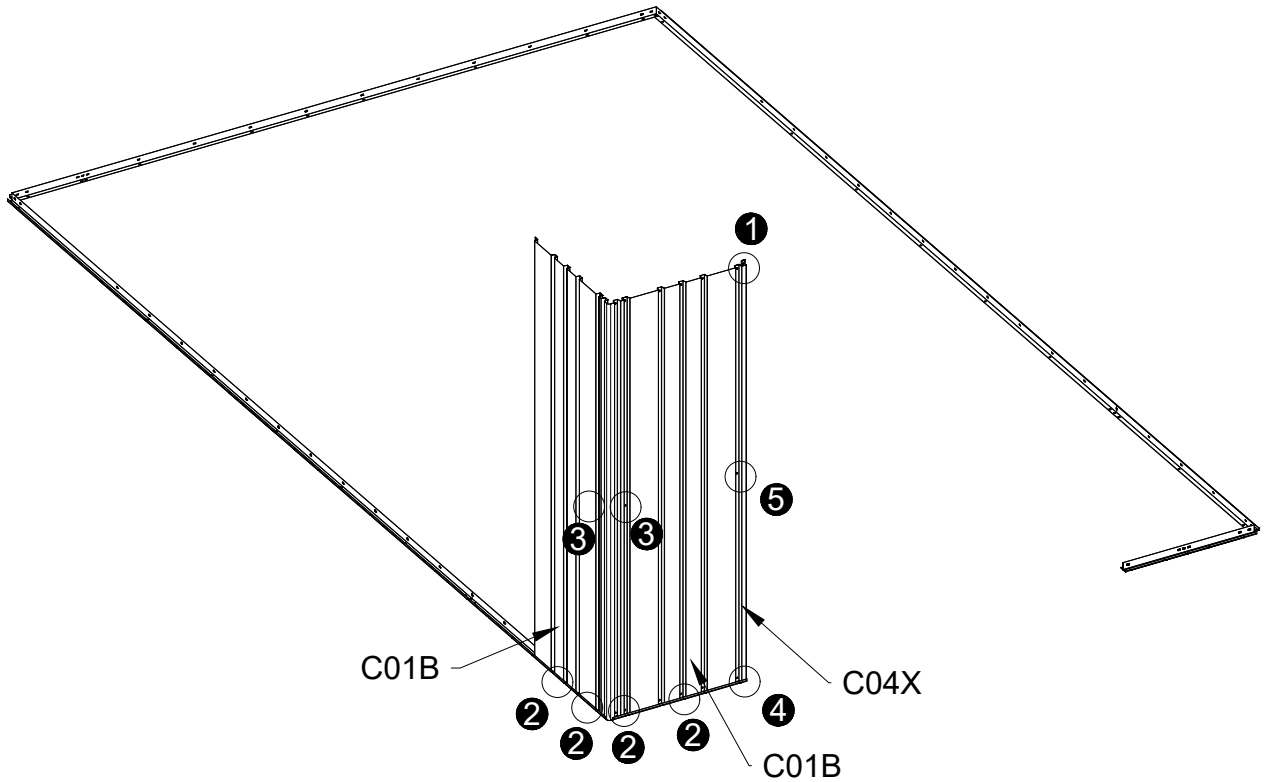
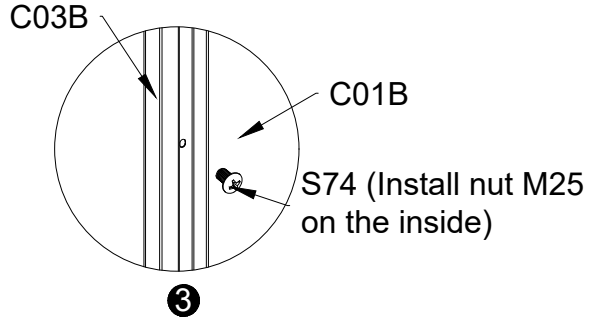
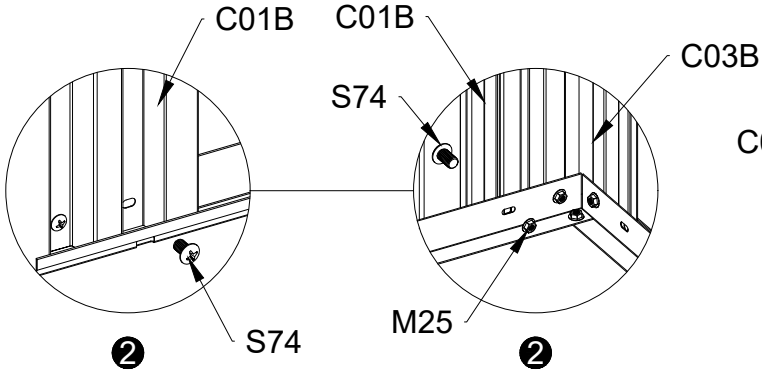
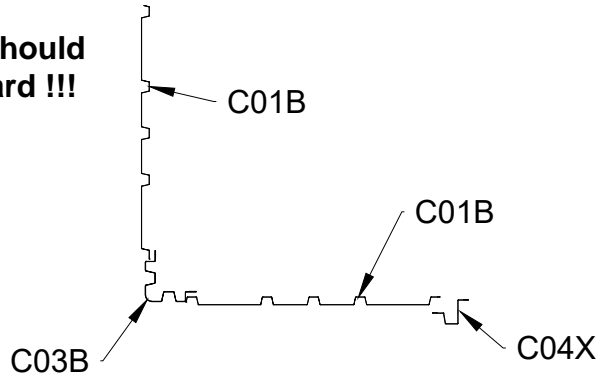
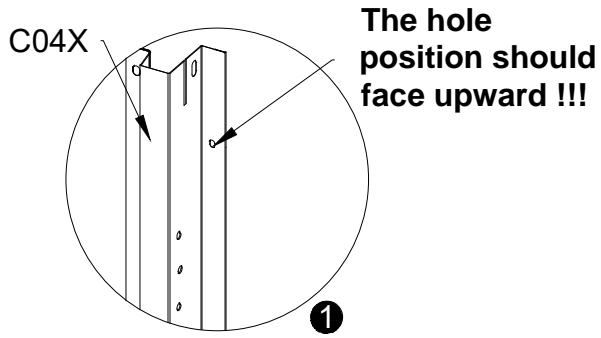
Expansion bolt installator

(Profile C30A is used for positioning.
After securing the foundation with
expansion screws, you can choose
whether to remove it, as it will not affect
the product's use.)

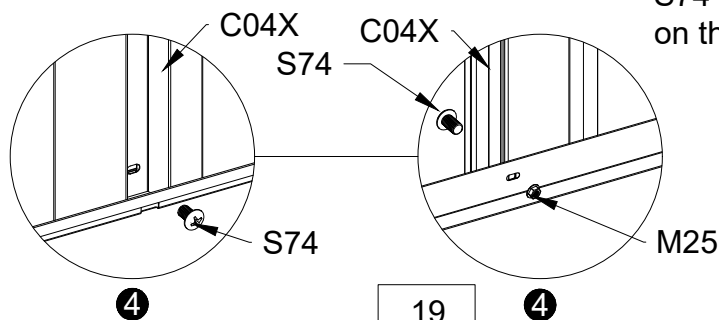
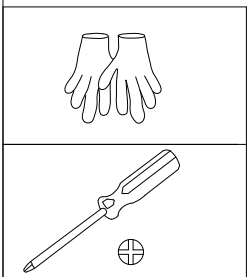
PART	NO	QTY
	C03B	1
	S74 M4X8	2
	M25 M4	2



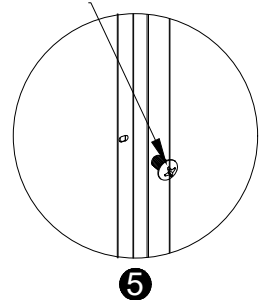
PART	NO	QTY
	C01B	2
	C04X	1
	S74	8
	M4X8	
	M25	8
	M4	






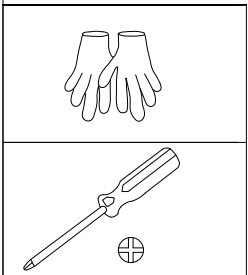
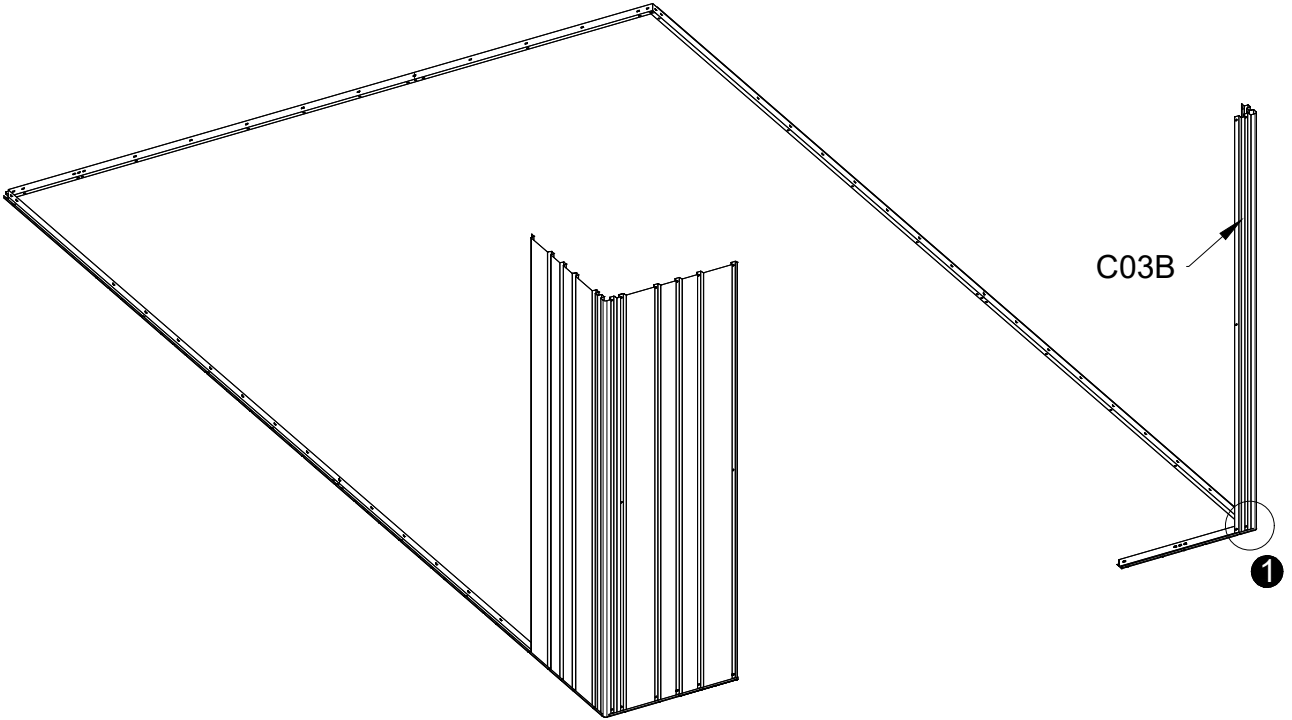
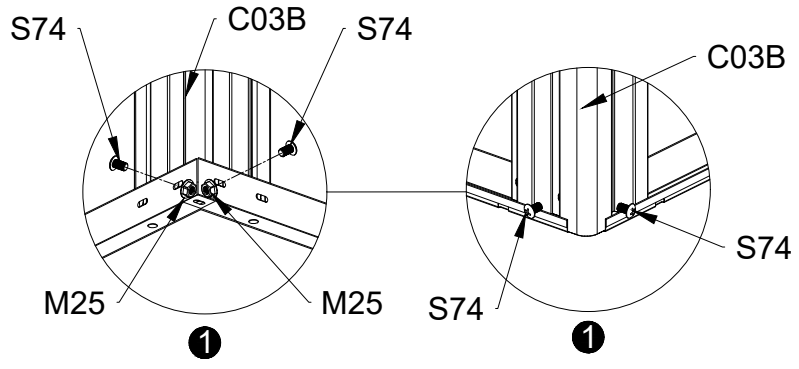
To prevent the wall from collapsing, it needs to be supported by something else.







S74 (Install nut M25 on the inside)

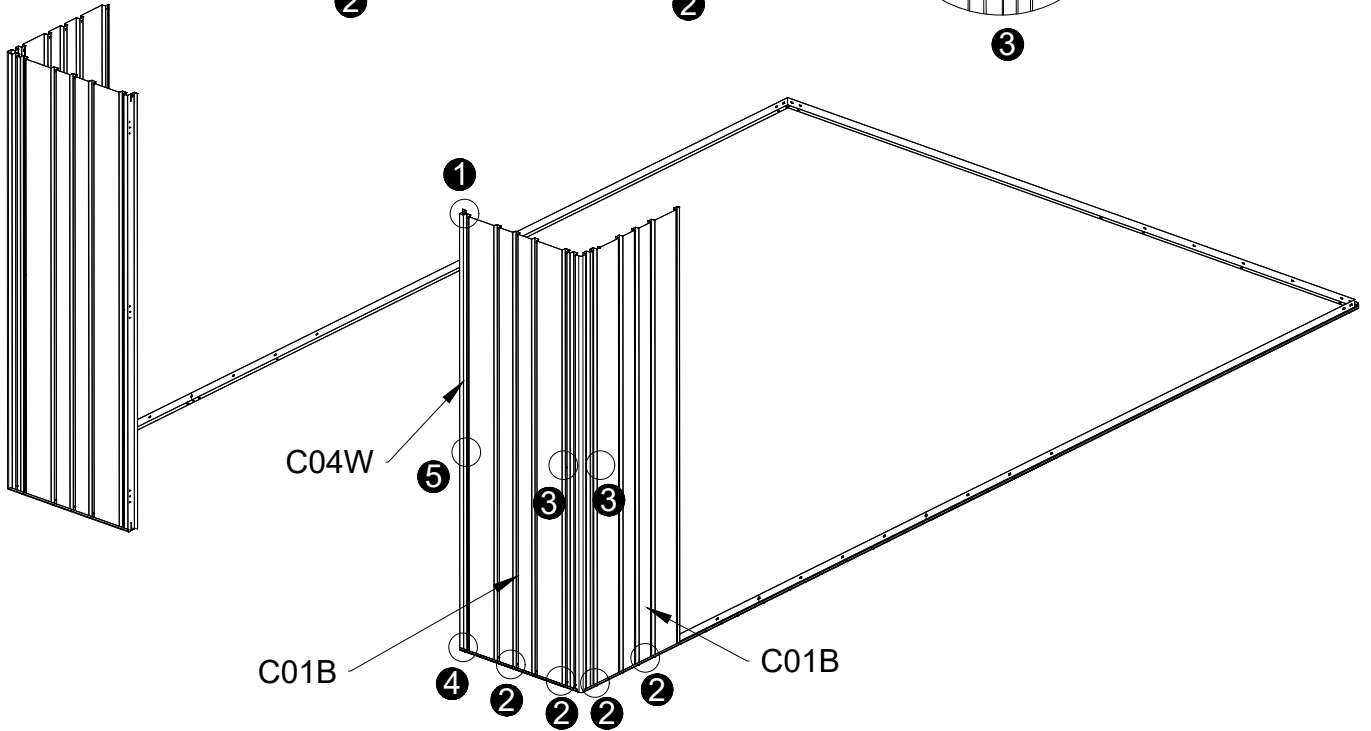
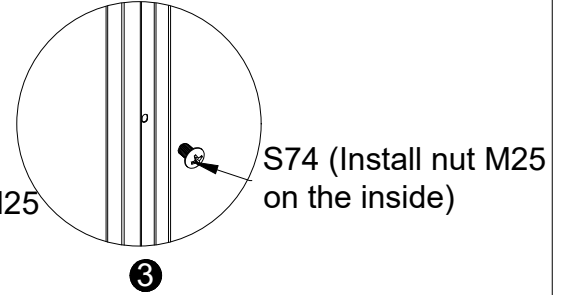
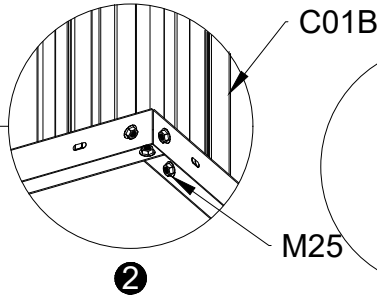
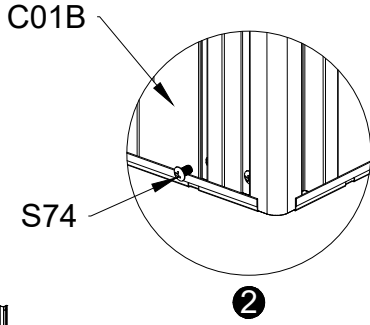
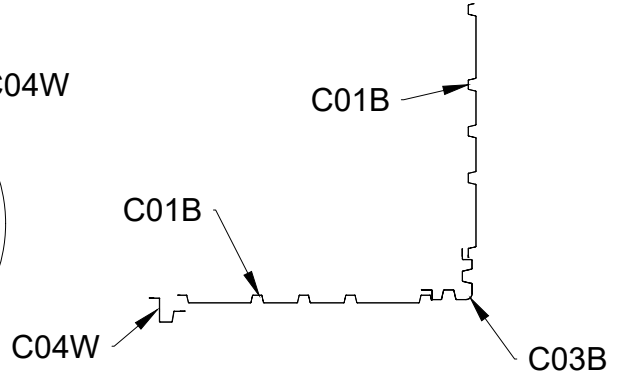
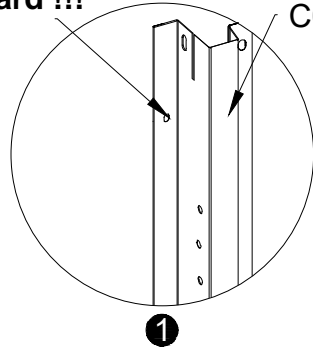


PART	NO	QTY
	C03B	1
	S74 M4X8	2
	M25 M4	2



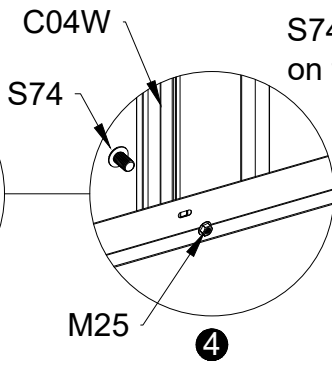
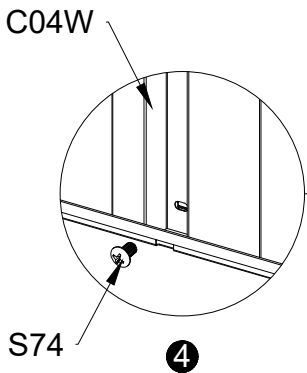
PART	NO	QTY
	C01B	2
	C04W	1
	S74 M4X8	8
	M25 M4	8

The hole position should face upward !!!

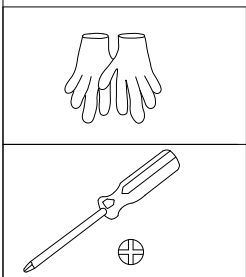
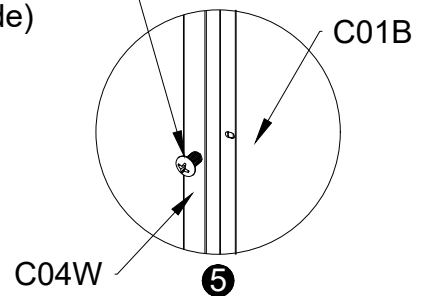





To facilitate installation, adjust the orientation of the view.

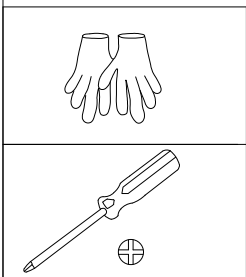
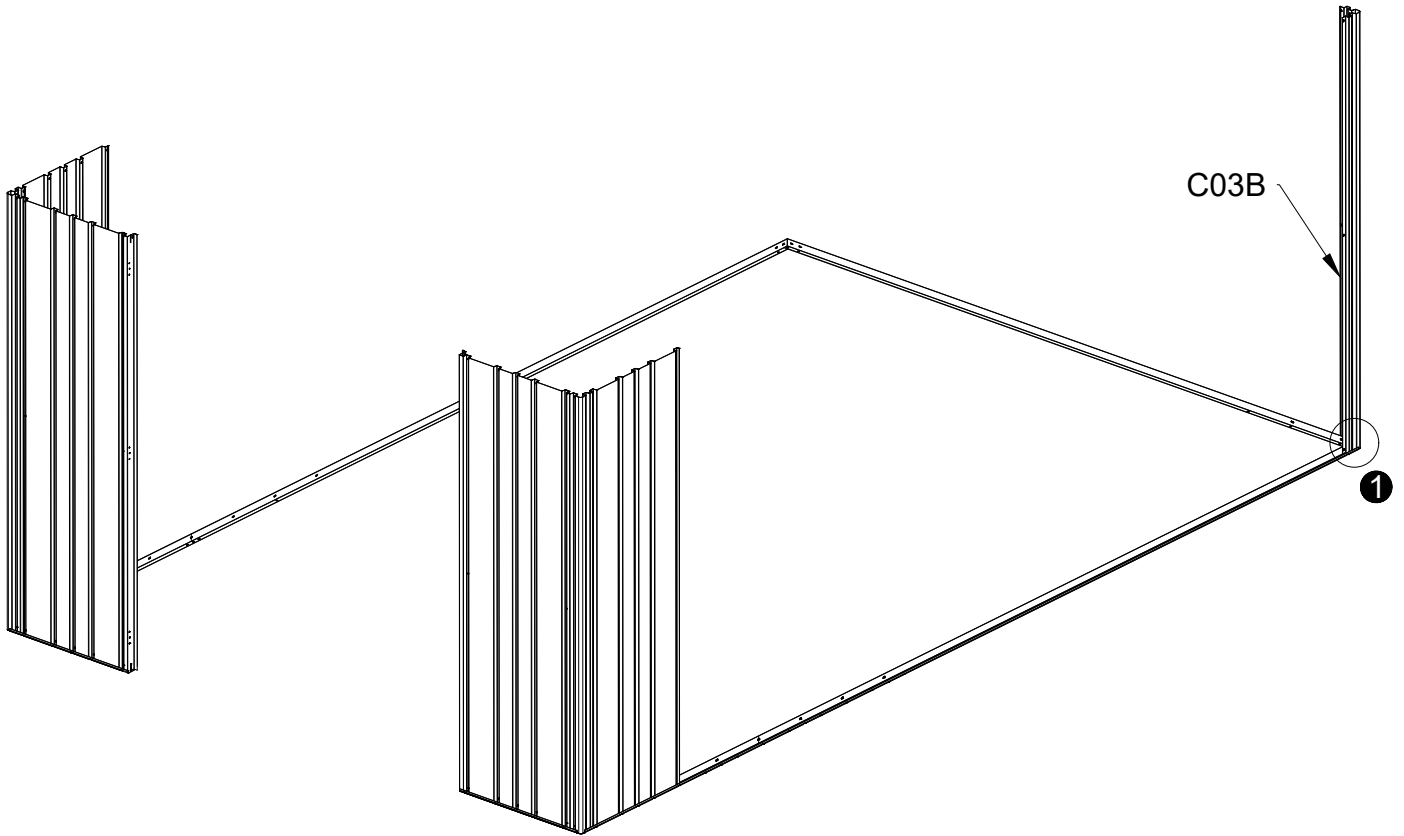
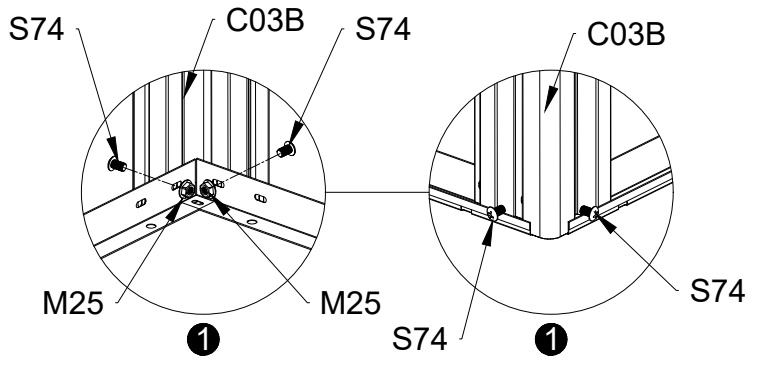
To prevent the wall from collapsing, it needs to be supported by something else.






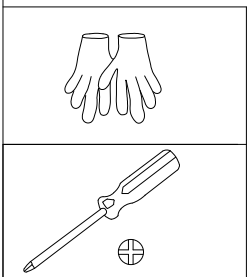
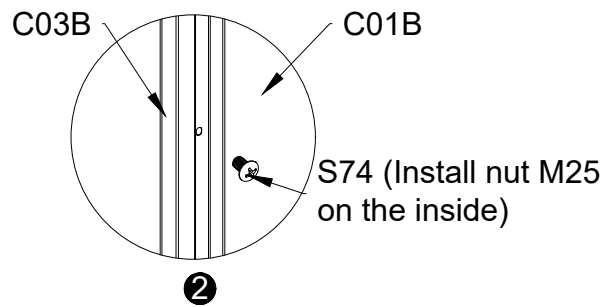
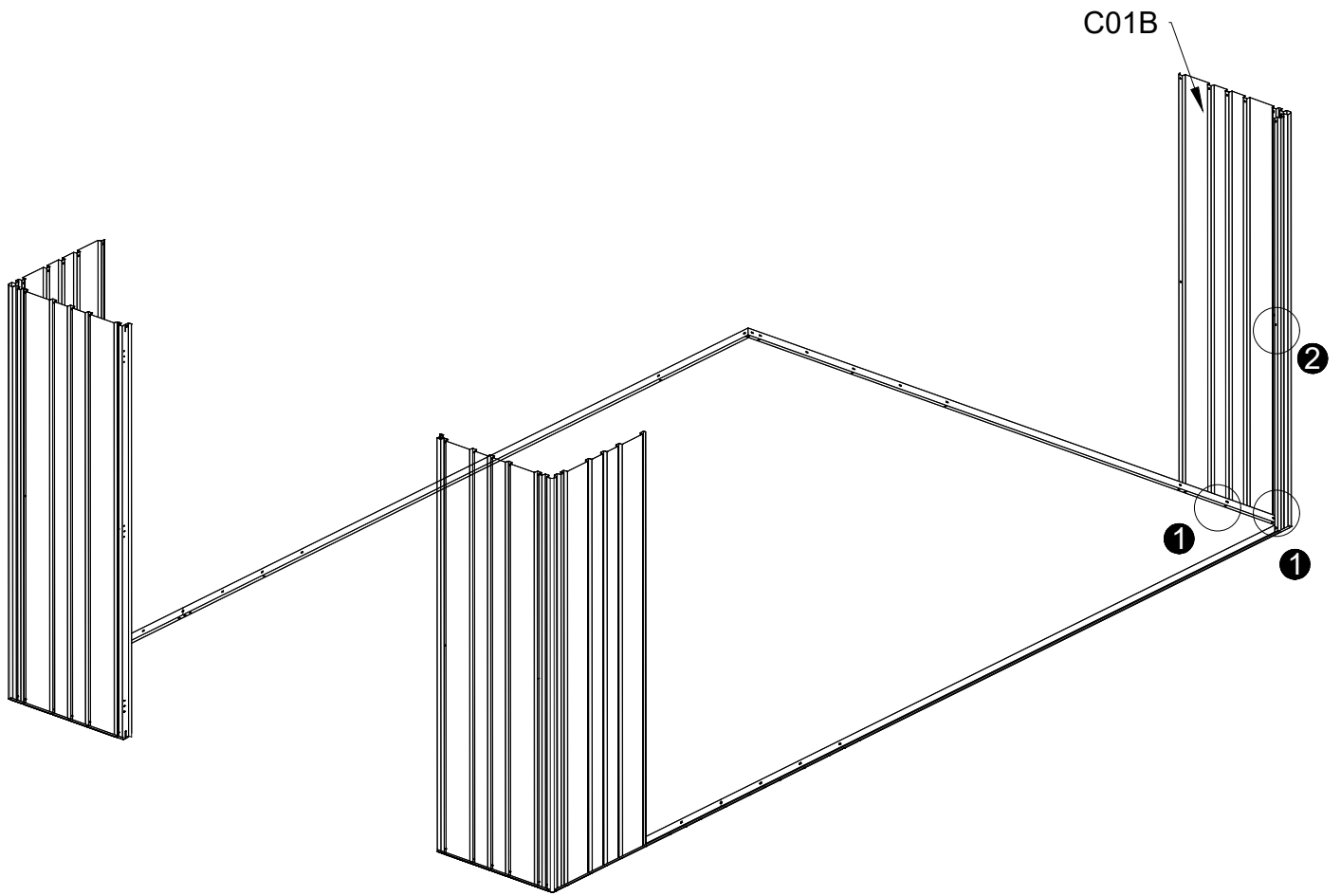
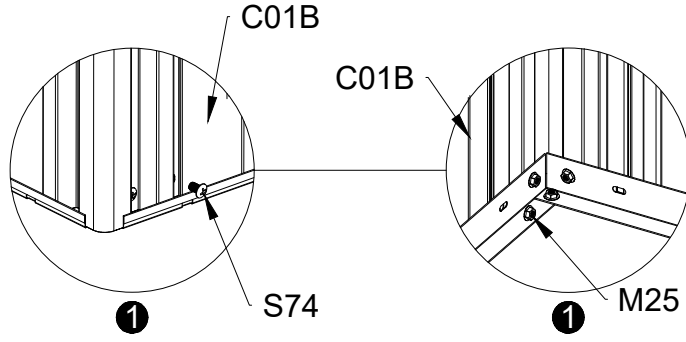
S74 (Install nut M25 on the inside)






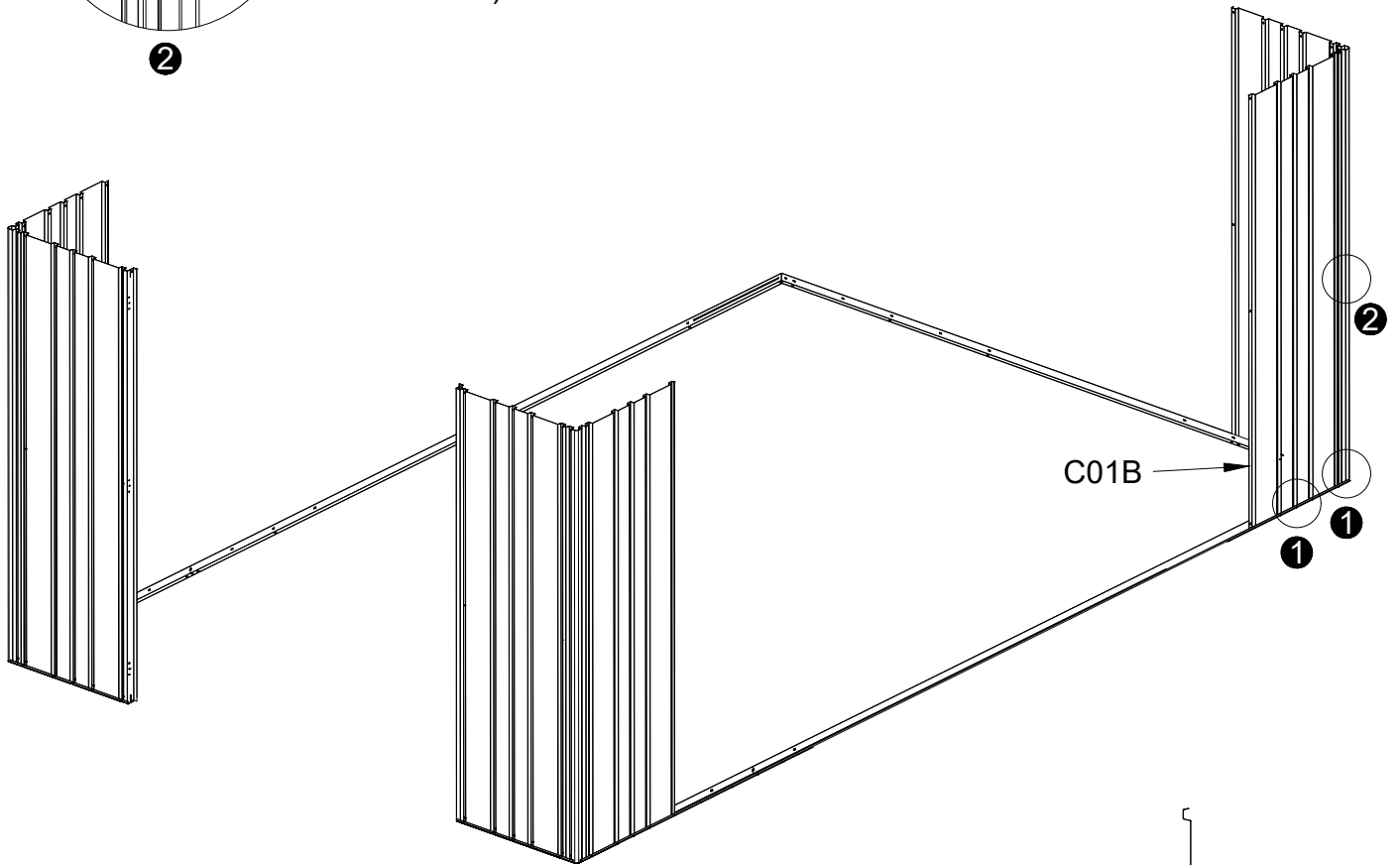
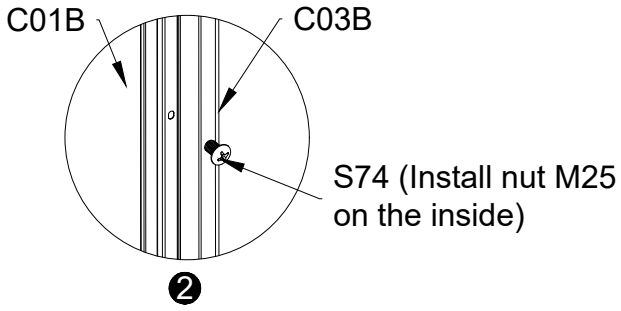
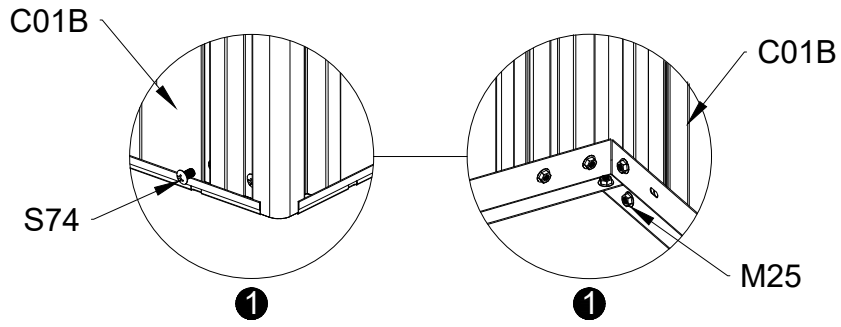
PART	NO	QTY
	C03B	1
	S74 M4X8	2
	M25 M4	2



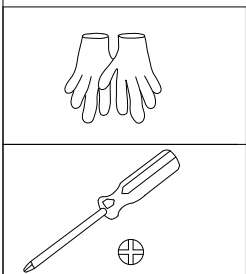
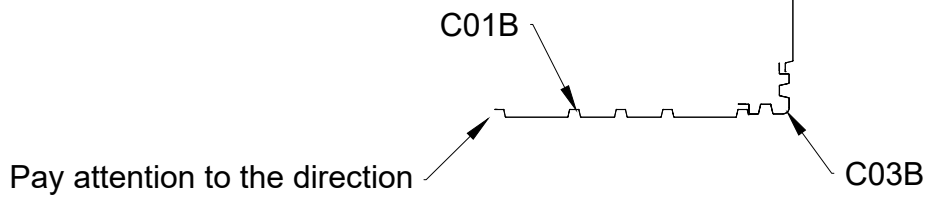
PART	NO	QTY
	C01B	1
	S74	3
	M4X8	
	M25	3
	M4	






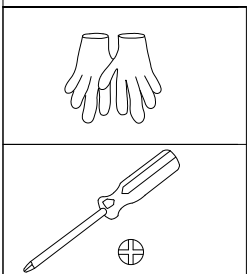
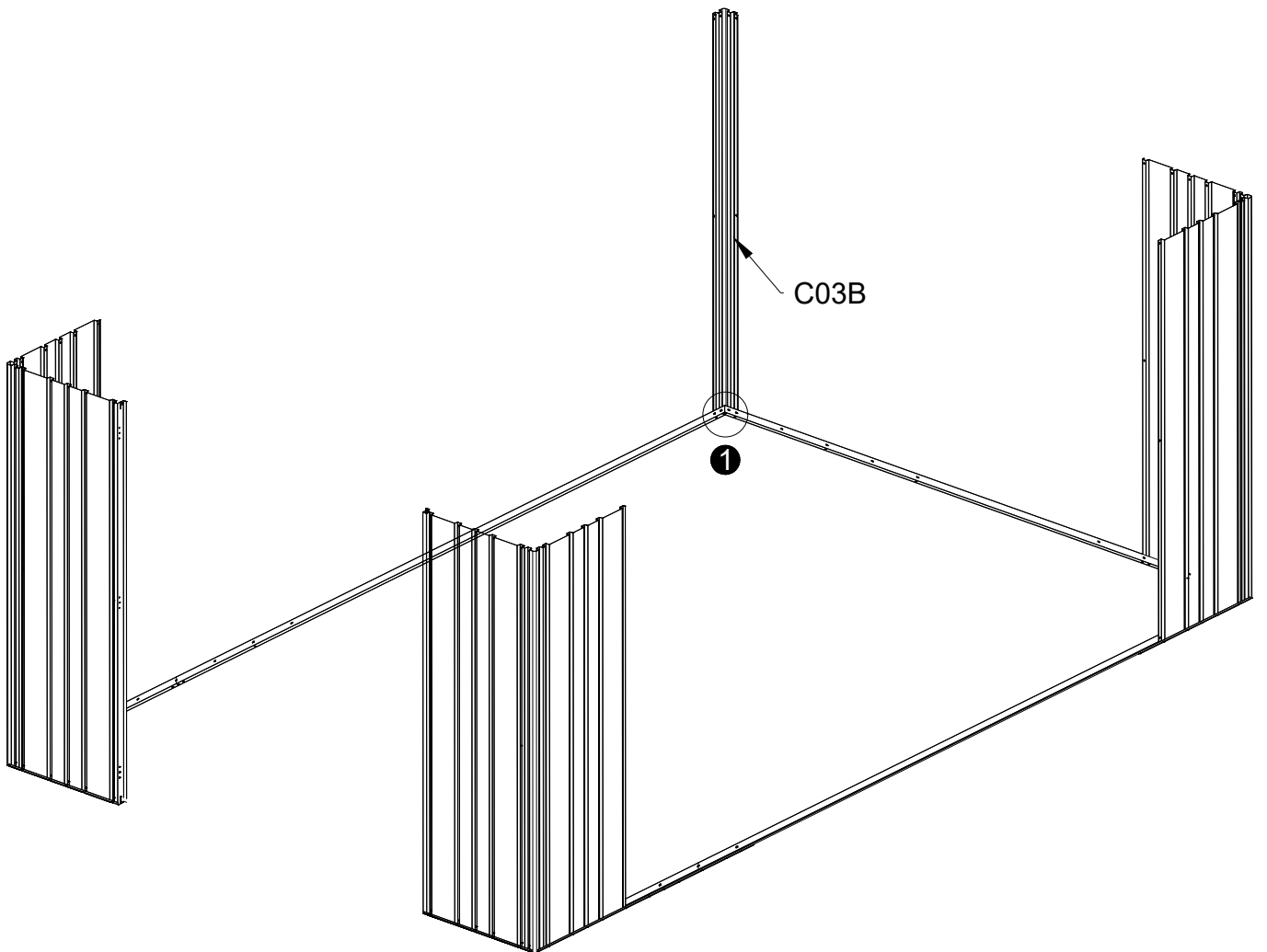
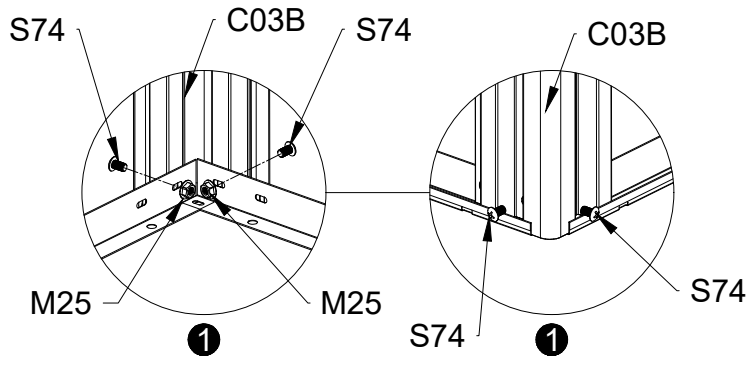
PART	NO	QTY
	C01B	1
	S74	3
	M4X8	
	M25	3
	M4	

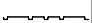




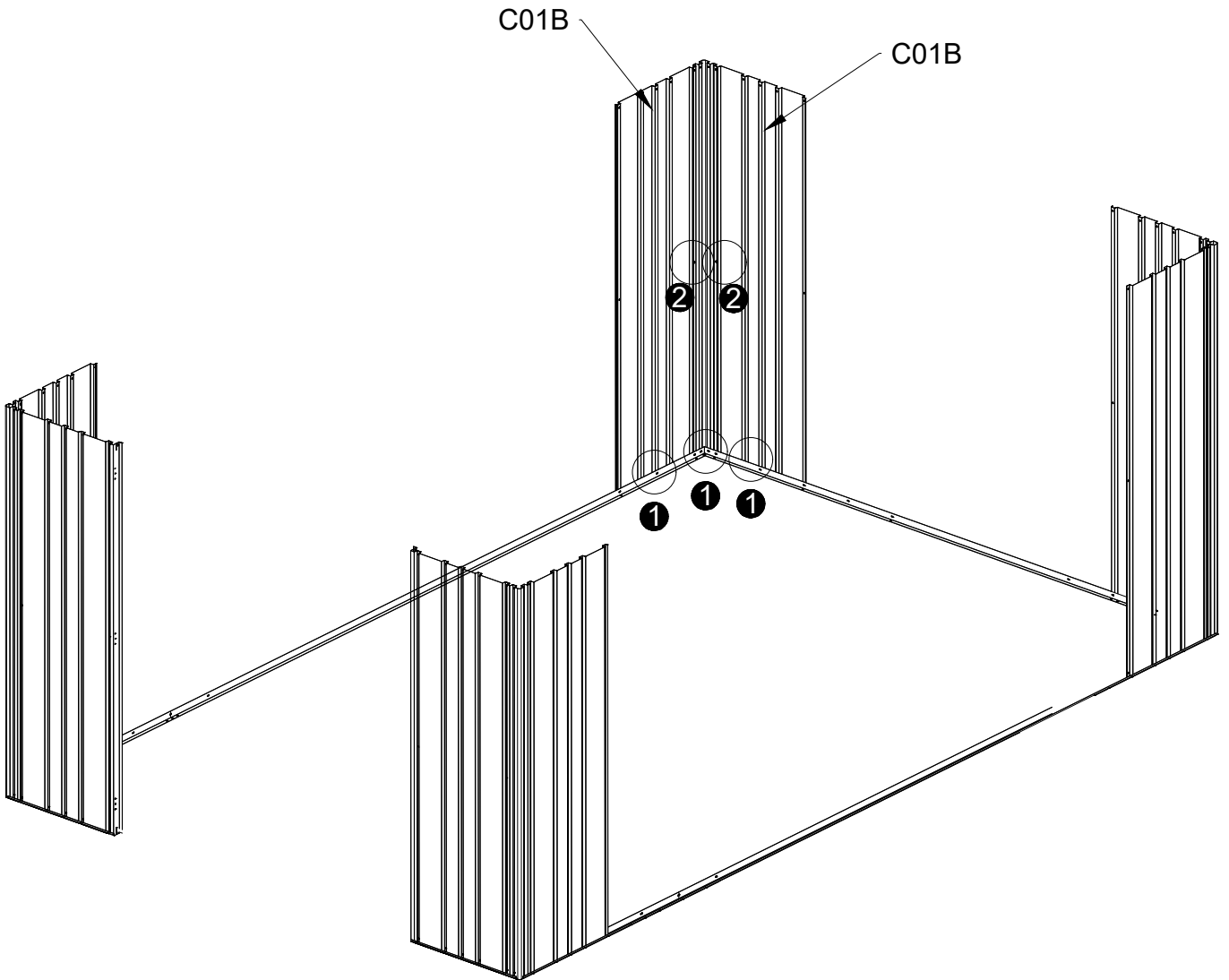
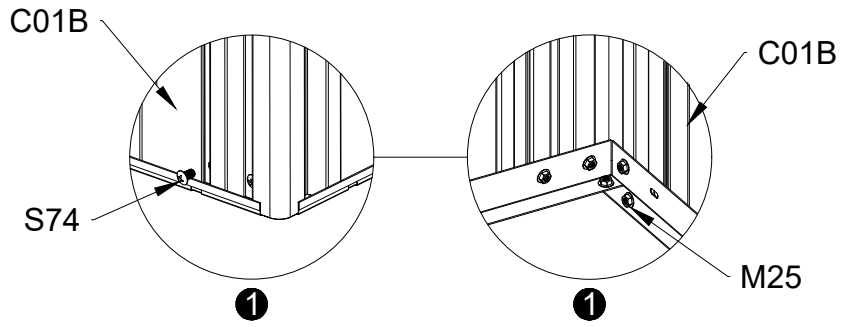
To prevent the wall from collapsing, it needs to be supported by something else.



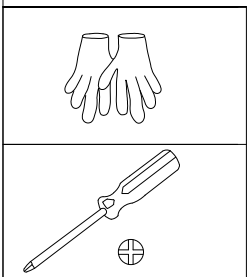
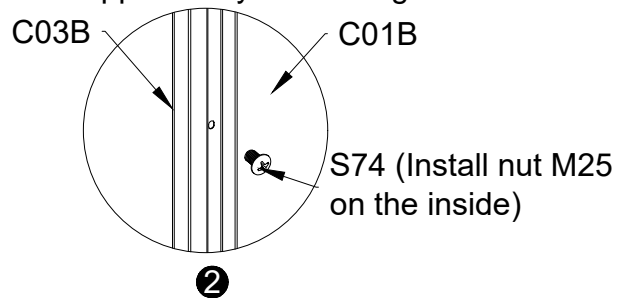
PART	NO	QTY
	C03B	1
	S74	2
	M4X8	
	M25	2
	M4	







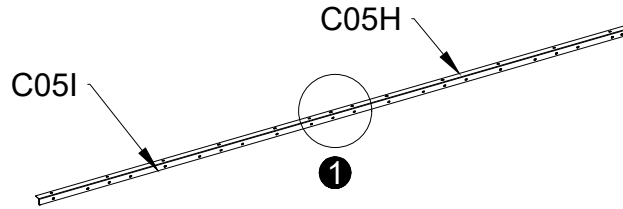
PART	NO	QTY
	C01B	2
	S74	6
	M4X8	
	M25	6
	M4	



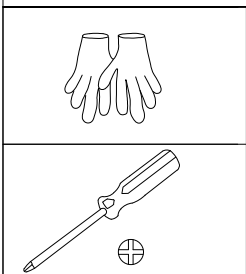
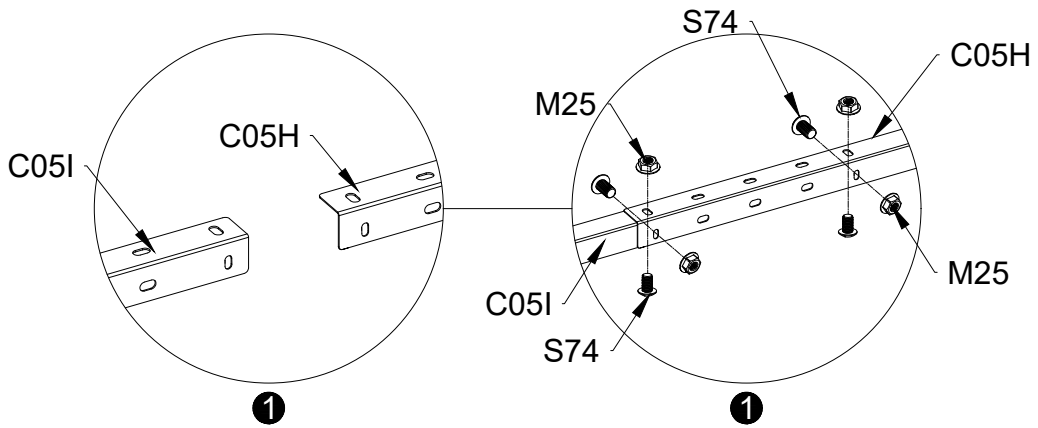
To prevent the wall from collapsing, it needs to be supported by something else.





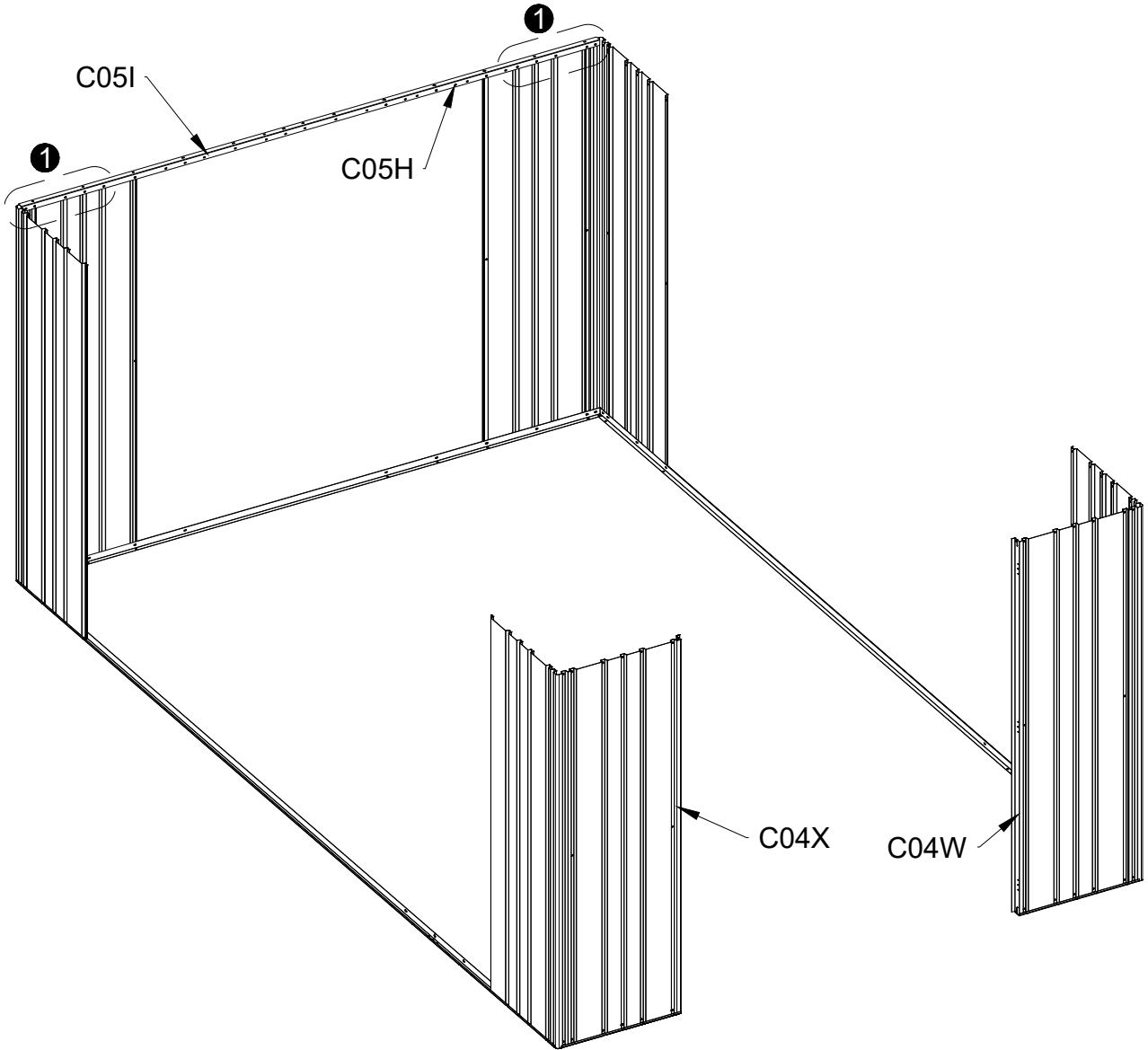
PART	NO	QTY
	C05H	1
	C05I	1
	S74	4
	M4X8	
	M25	4
	M4	



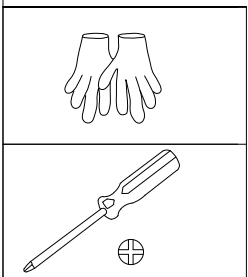
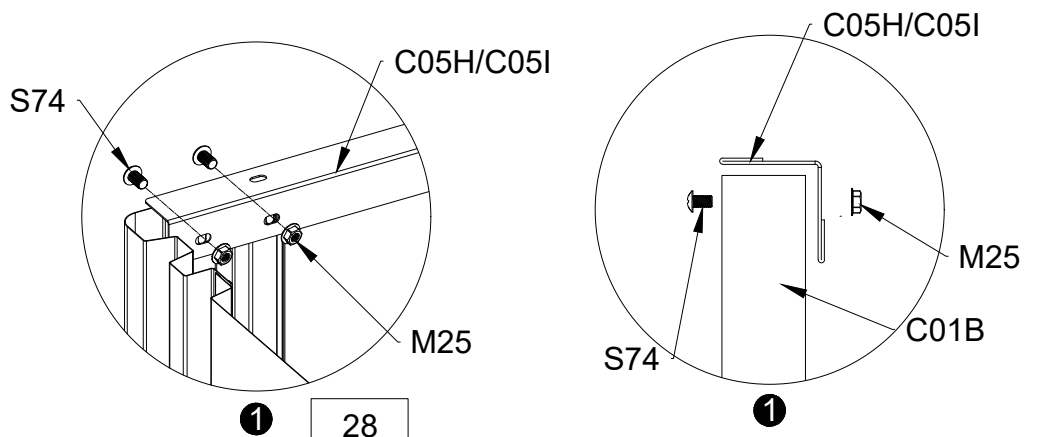
Pay attention to the screw installation holes.



PART	NO	QTY
	S74	10
	M4X8	
	M25	10
	M4	








To facilitate installation, adjust the orientation of the view.

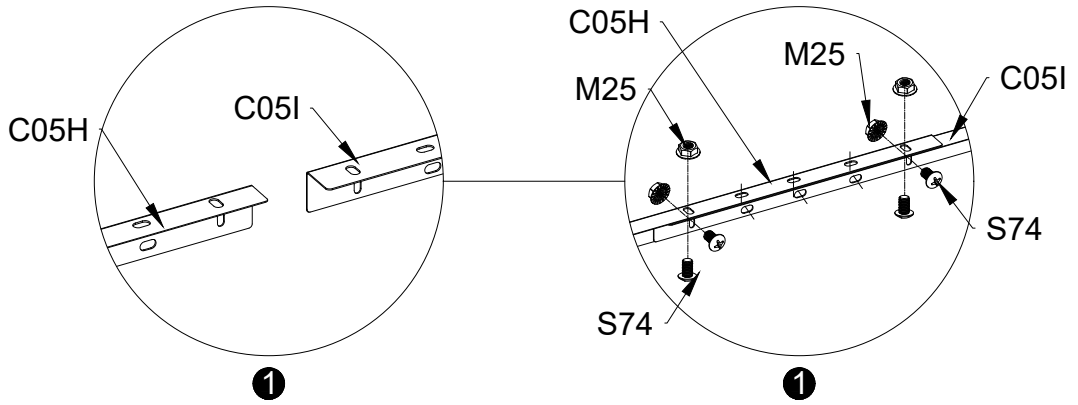
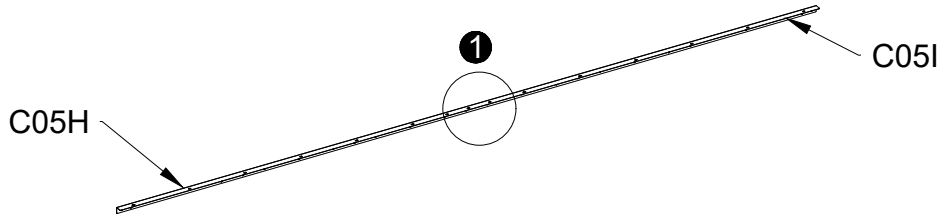


1

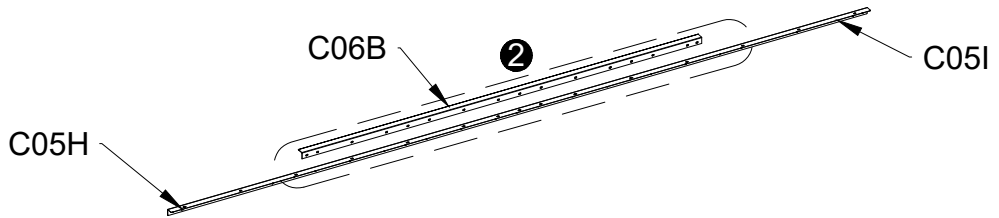
28

1

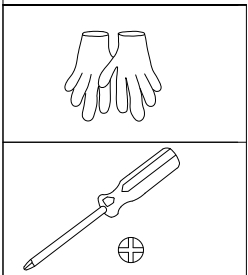
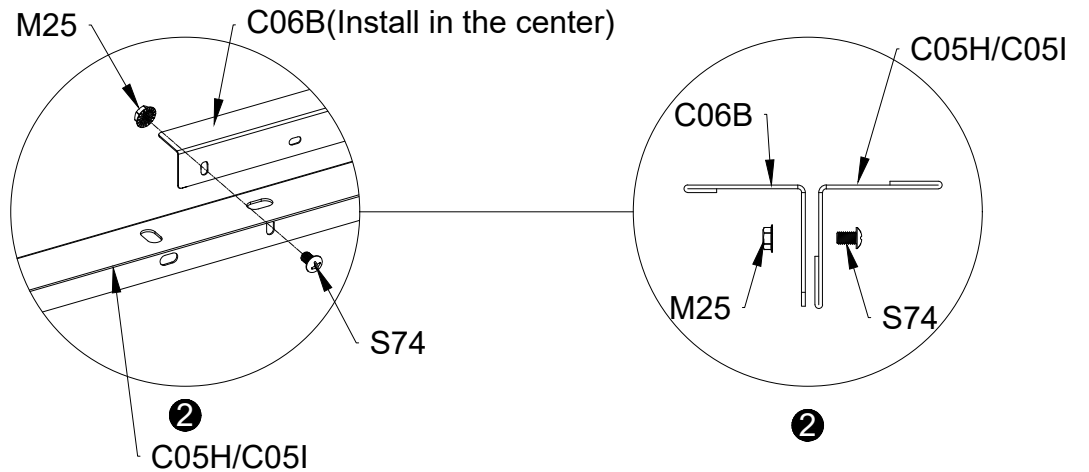
PART	NO	QTY
	C05H	1
	C05I	1
	C06B	1
	S74	11
	M4X8	
	M25	11
	M4	








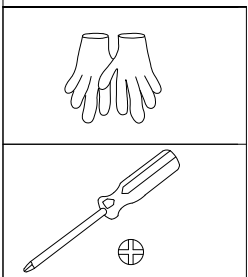
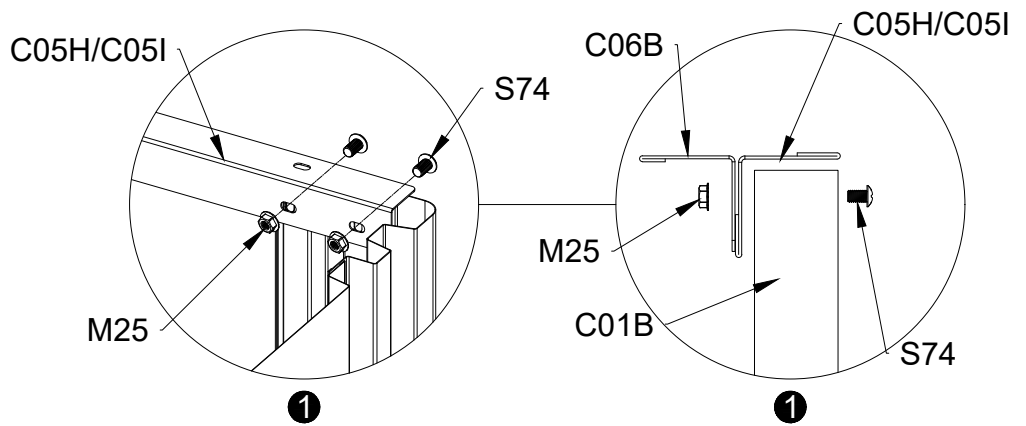
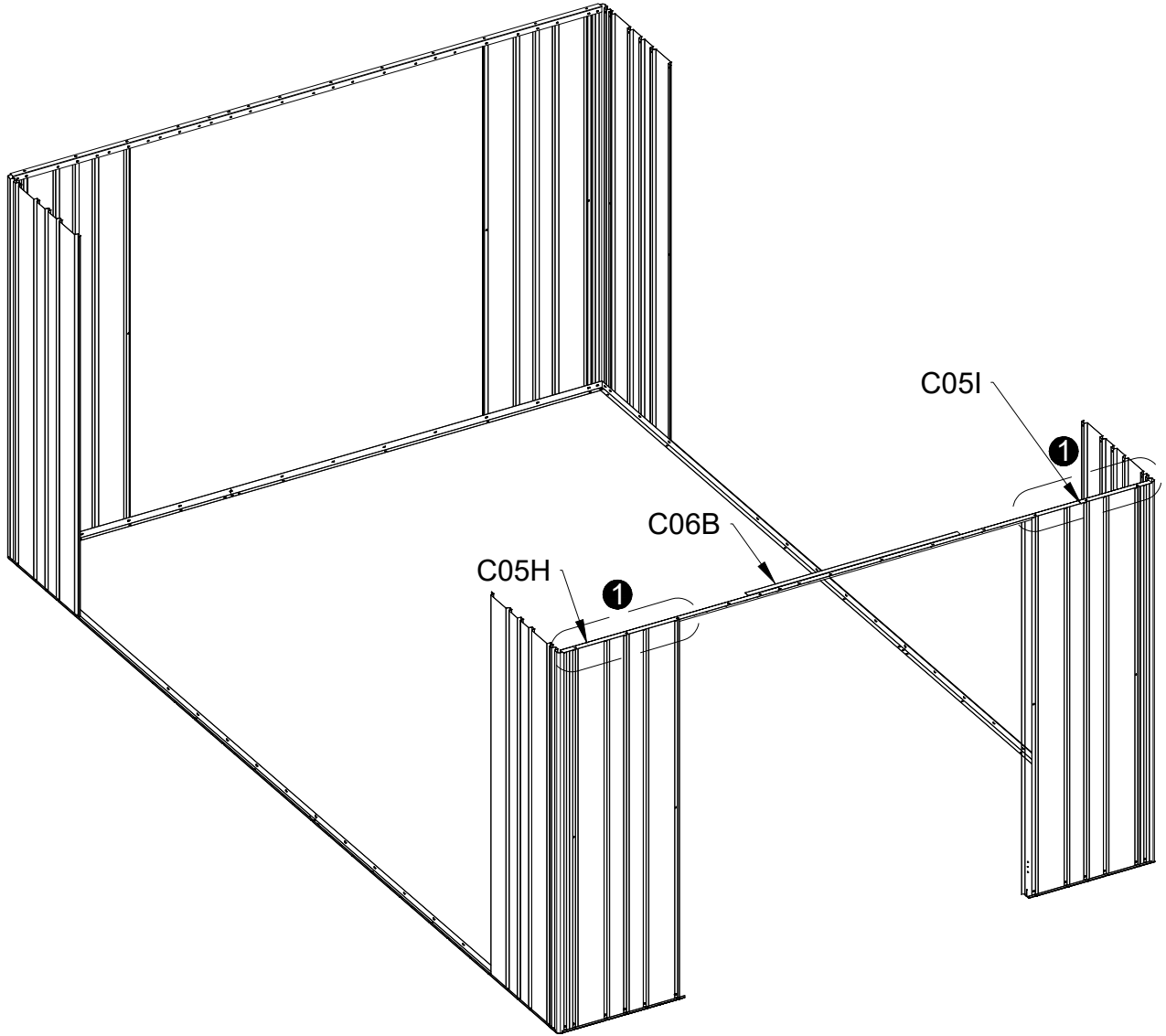
Pay attention to the screw installation holes.









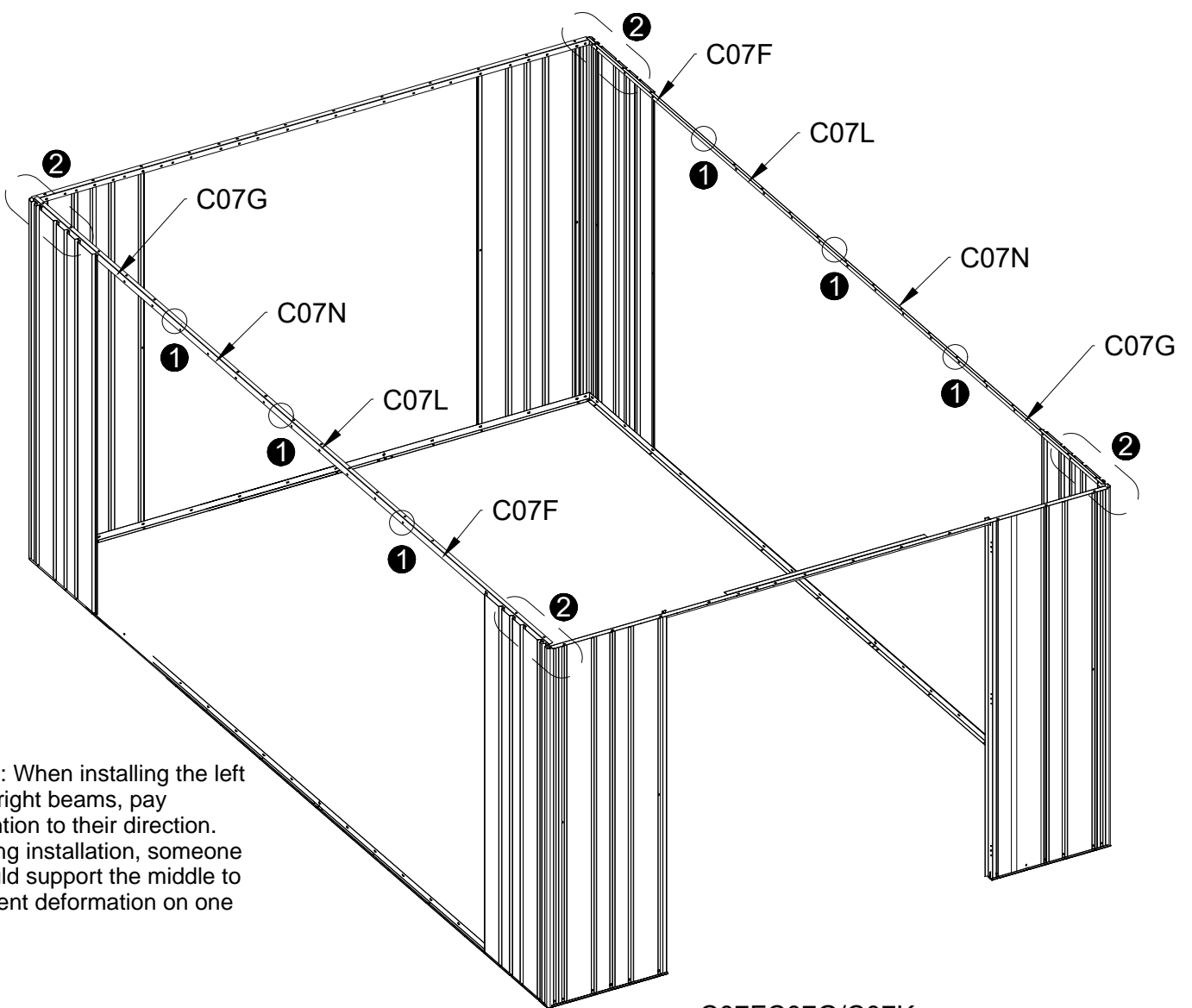
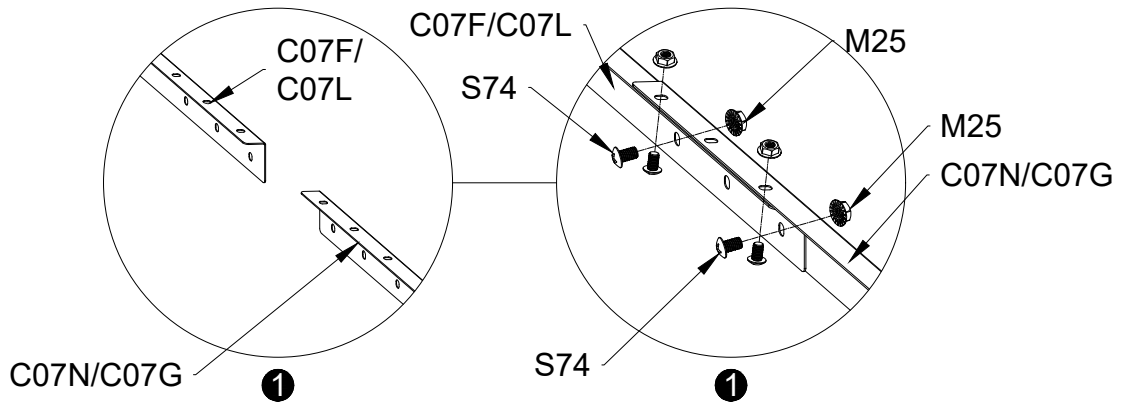
Pay attention to the installation direction of C06B. Do not wrap it around C05H and C05I



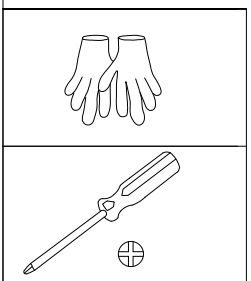
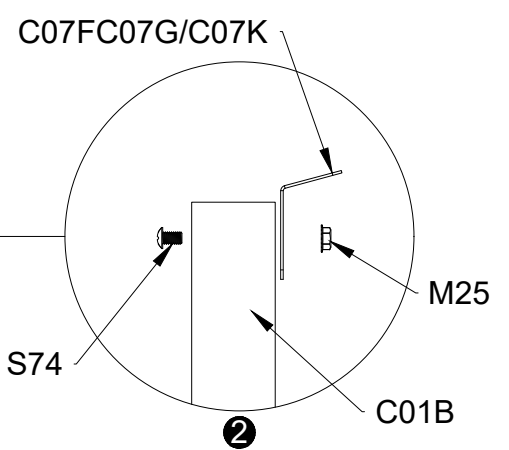
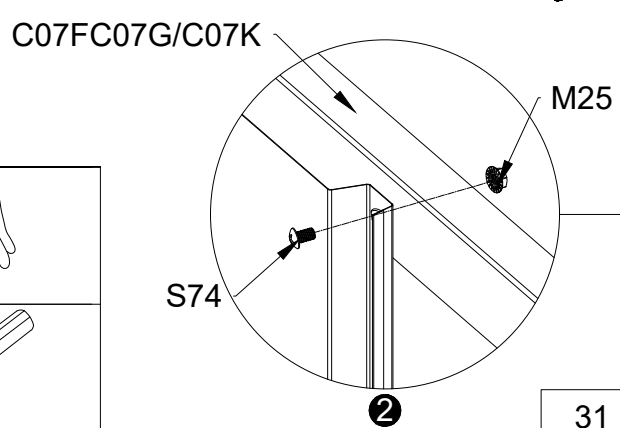
PART	NO	QTY
	C05H	1
	C05I	1
	C06B	1
	S74	12
	M4X8	
	M25	12
	M4	

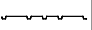
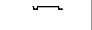




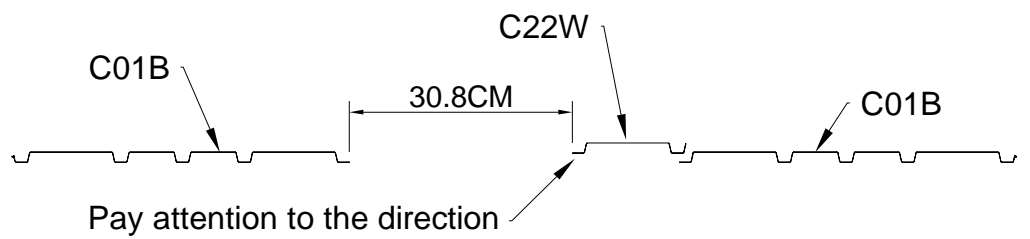
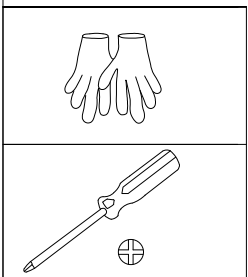
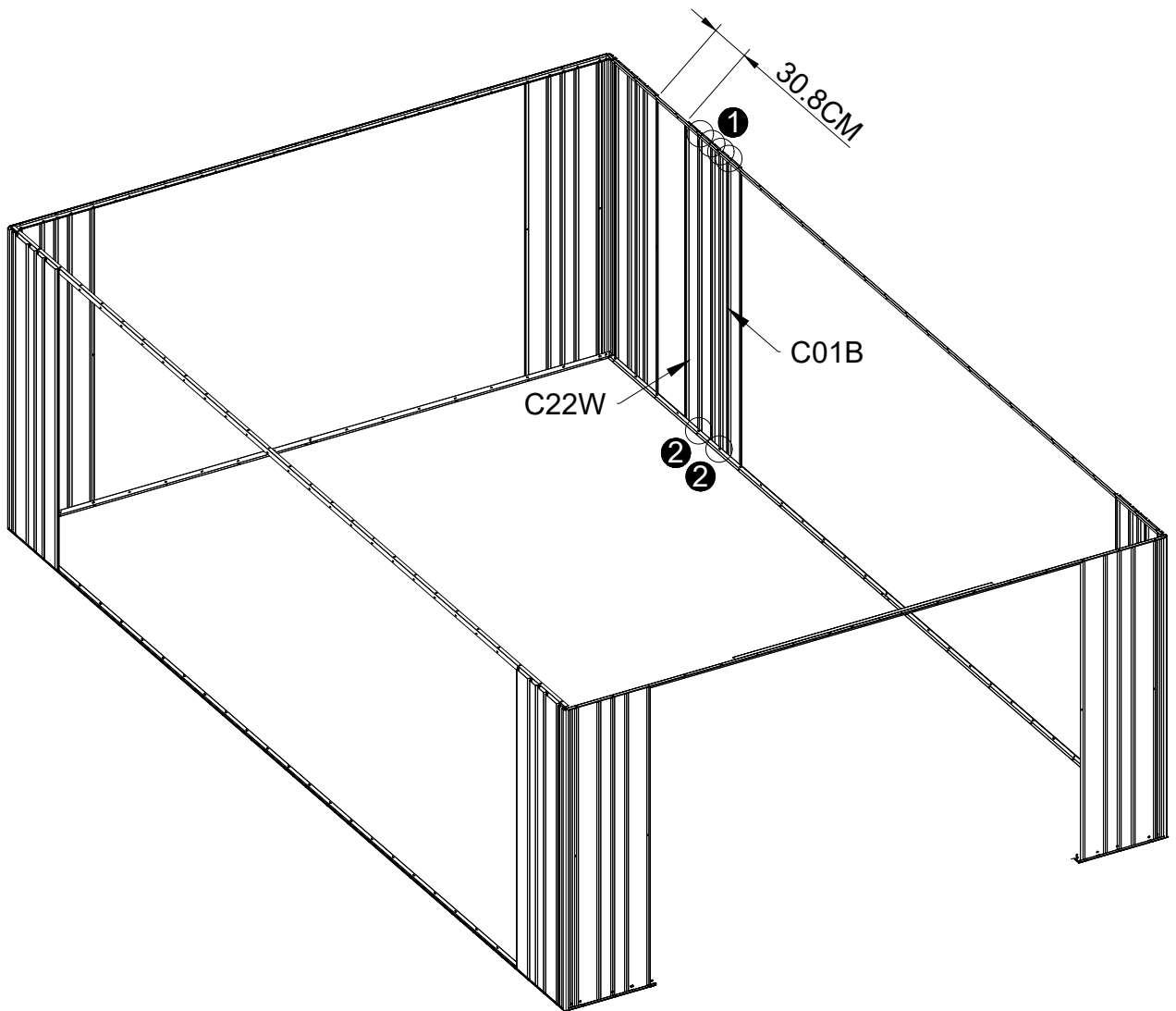
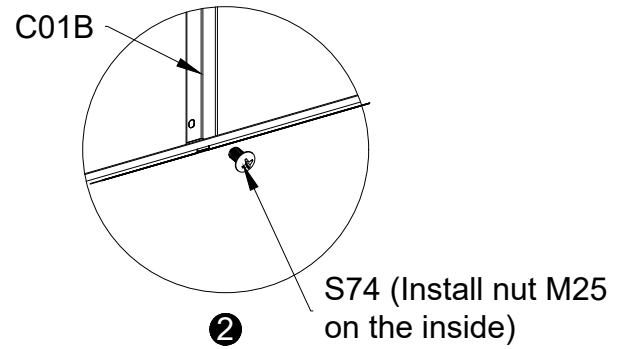
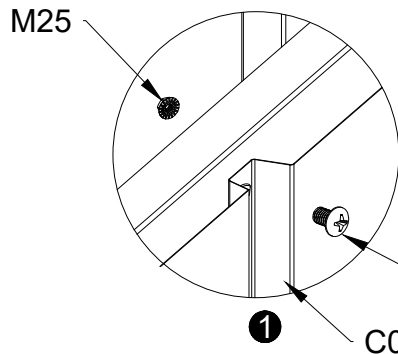
PART	NO	QTY
	C07F	2
	C07G	2
	C07L	2
	C07N	2
	S74	44
	M4X8	
	M25	44
	M4	







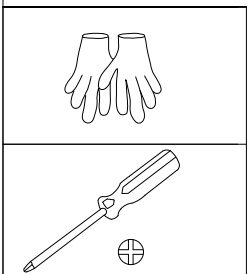
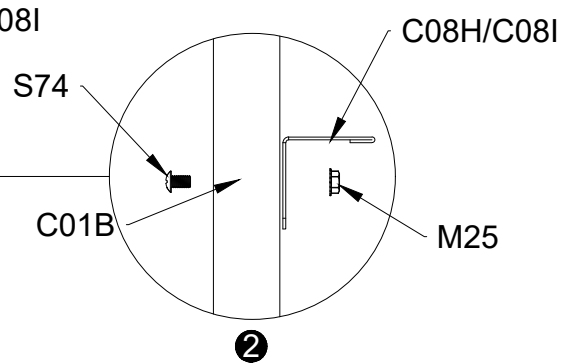
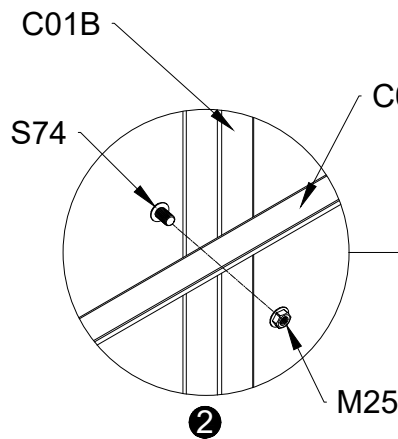
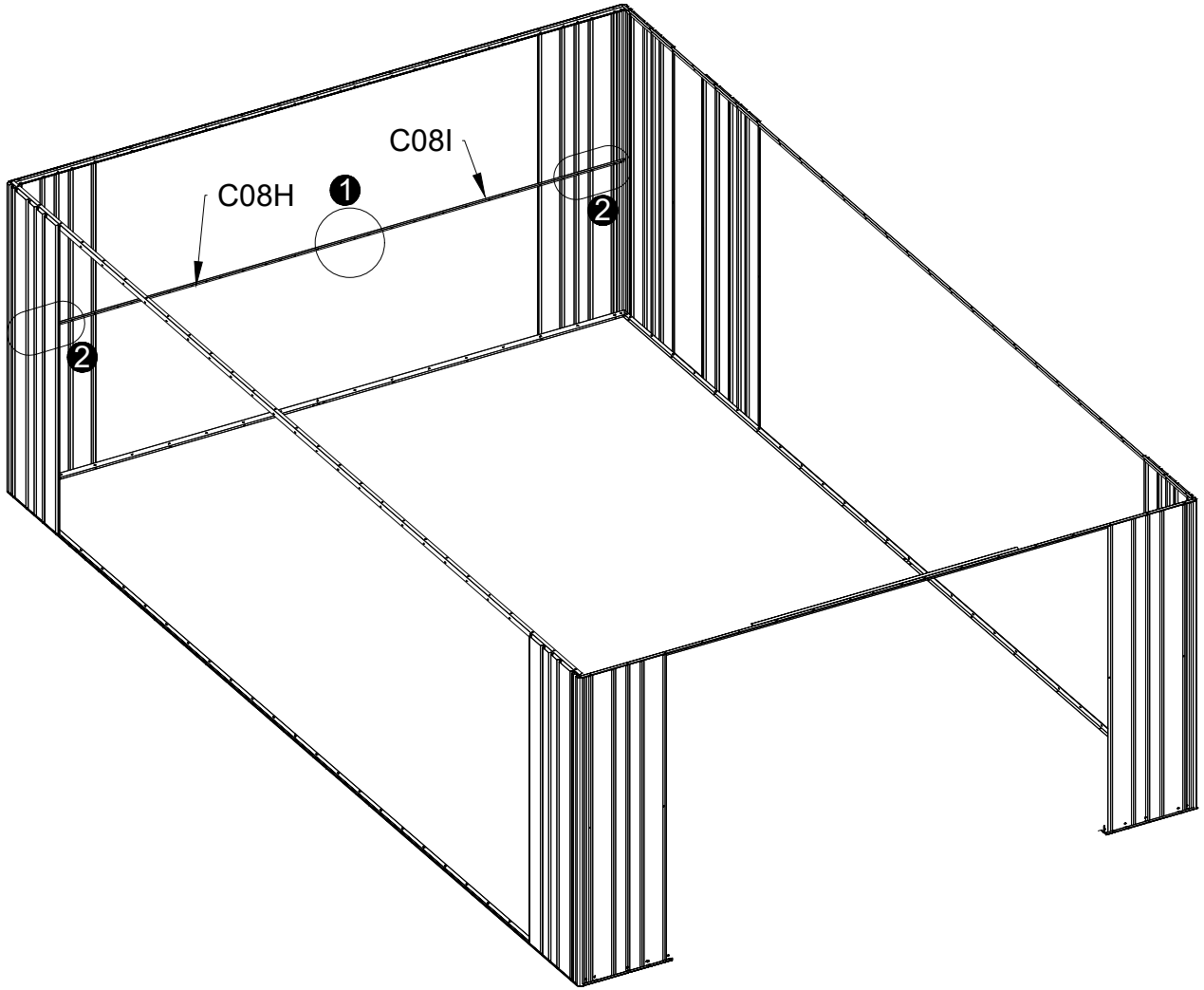
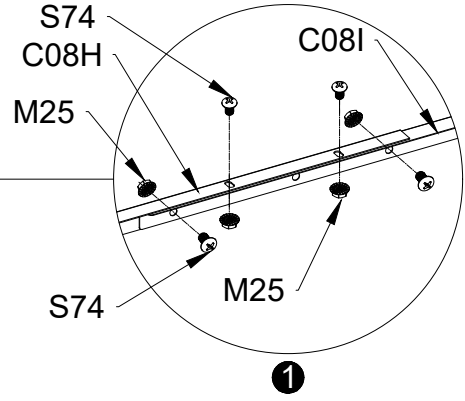
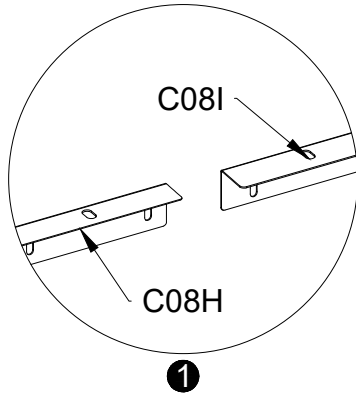
Note: When installing the left and right beams, pay attention to their direction. During installation, someone should support the middle to prevent deformation on one side.



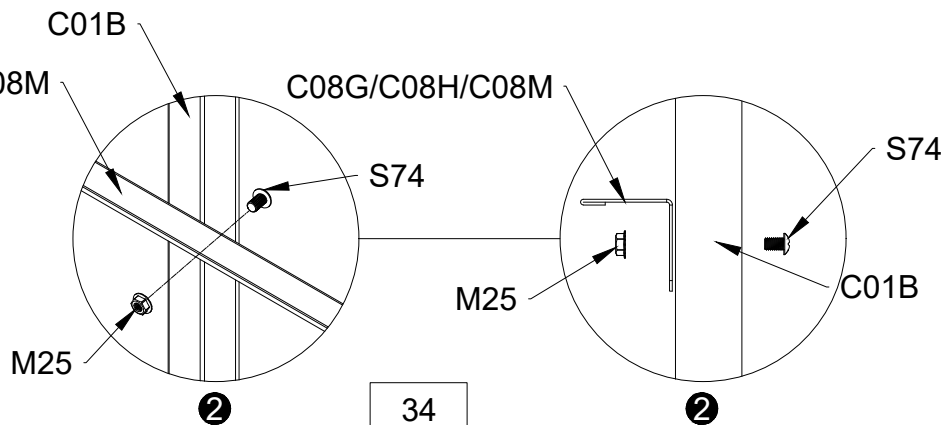
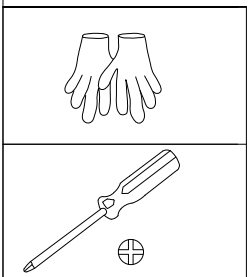
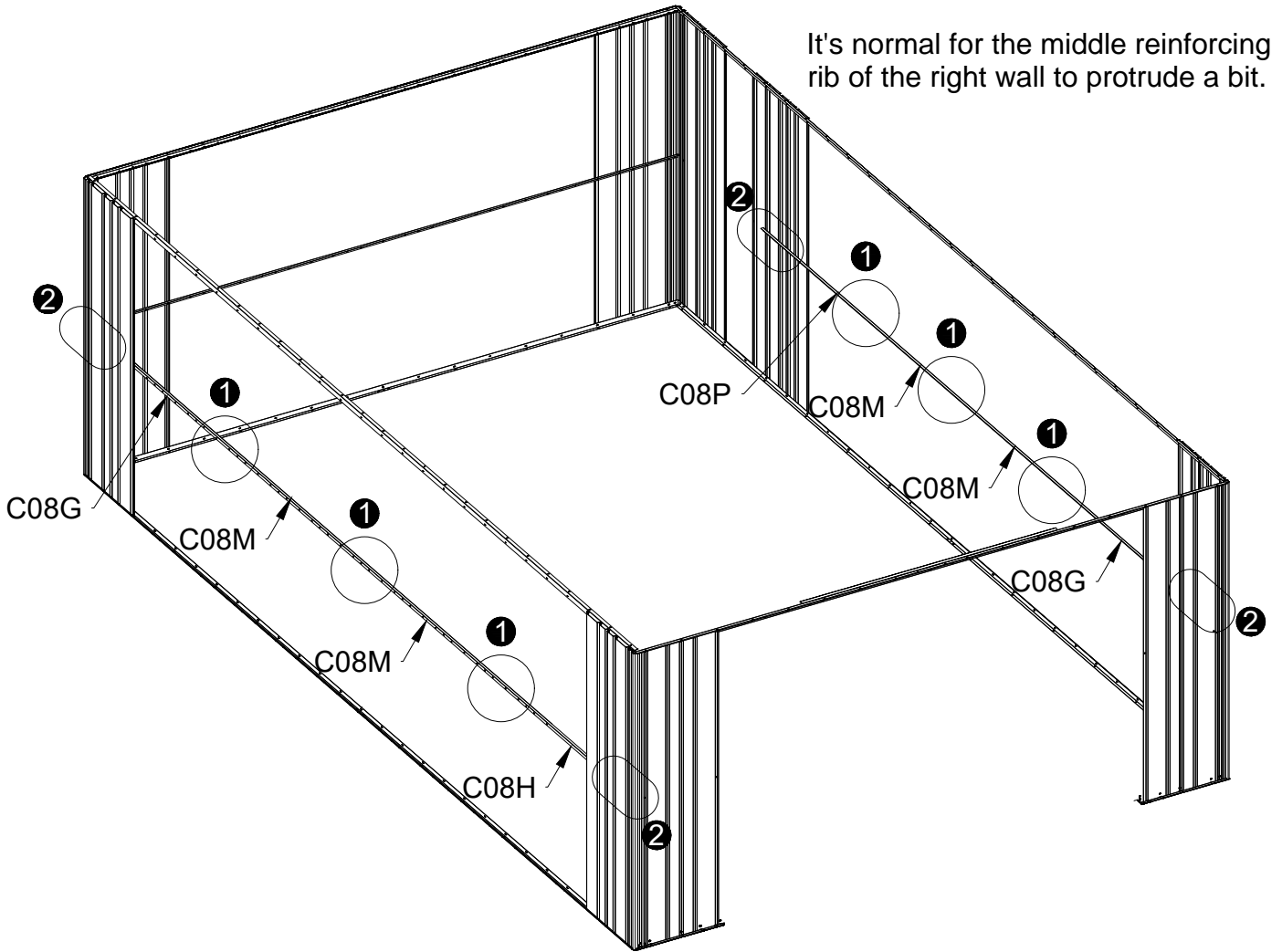
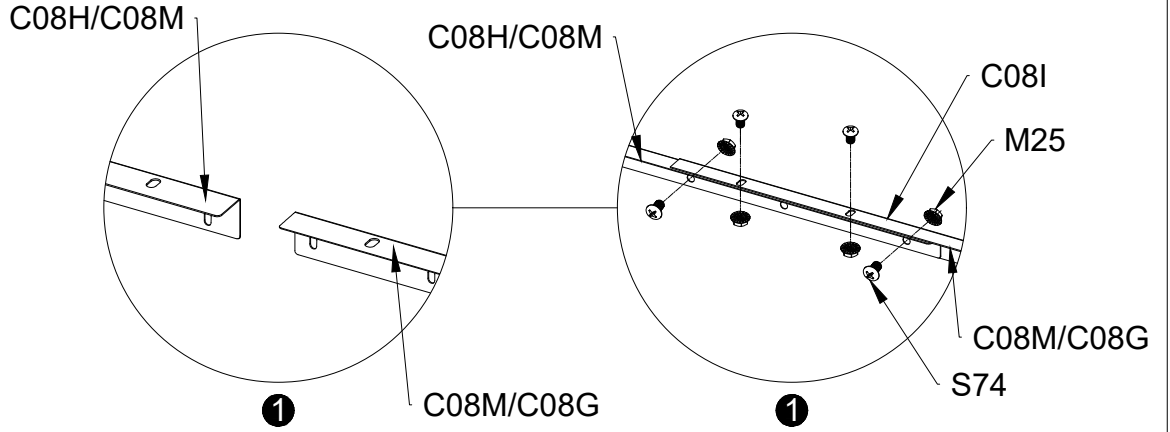
PART	NO	QTY
	C01B	1
	C22W	1
	S74	6
	M4X8	
	M25	6
	M4	



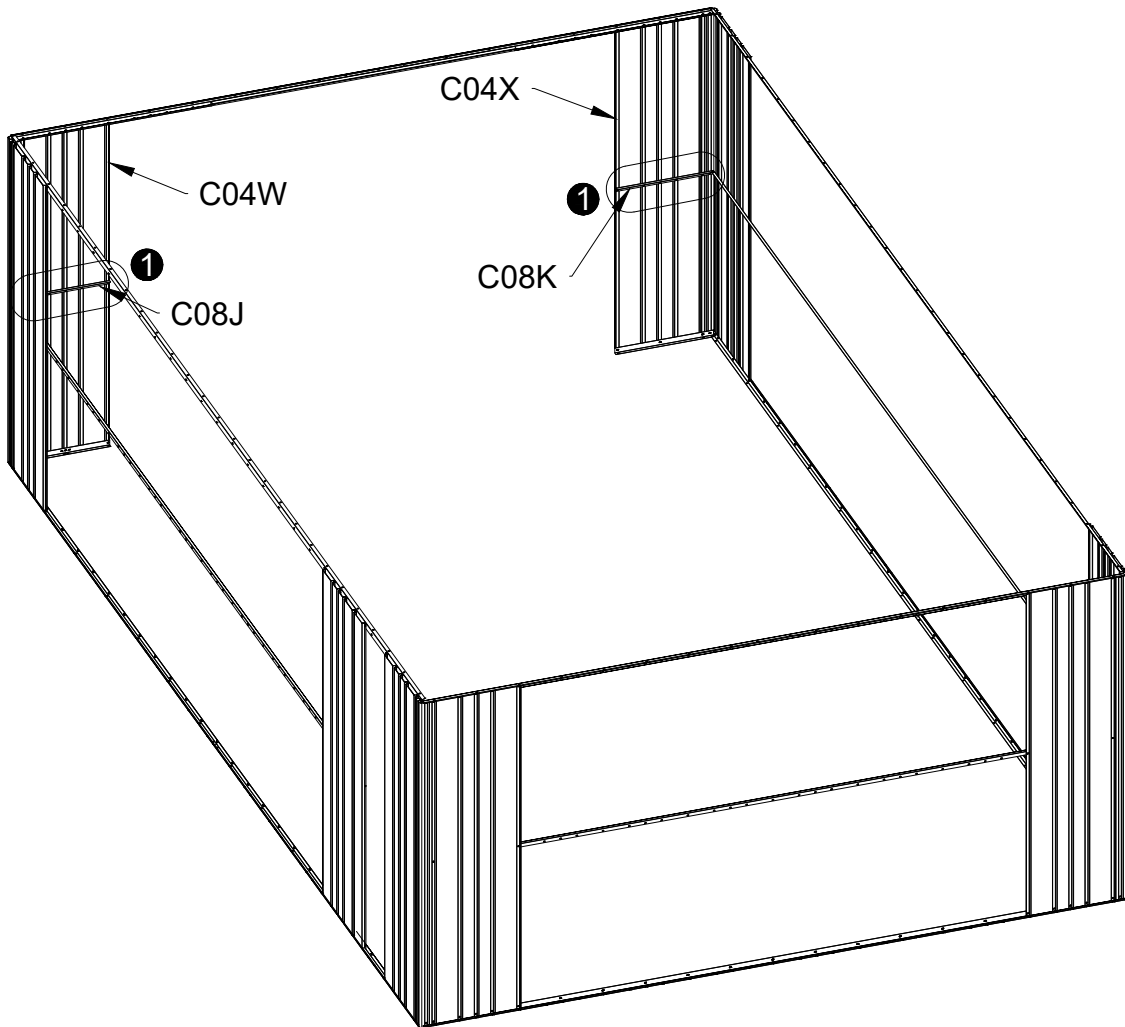
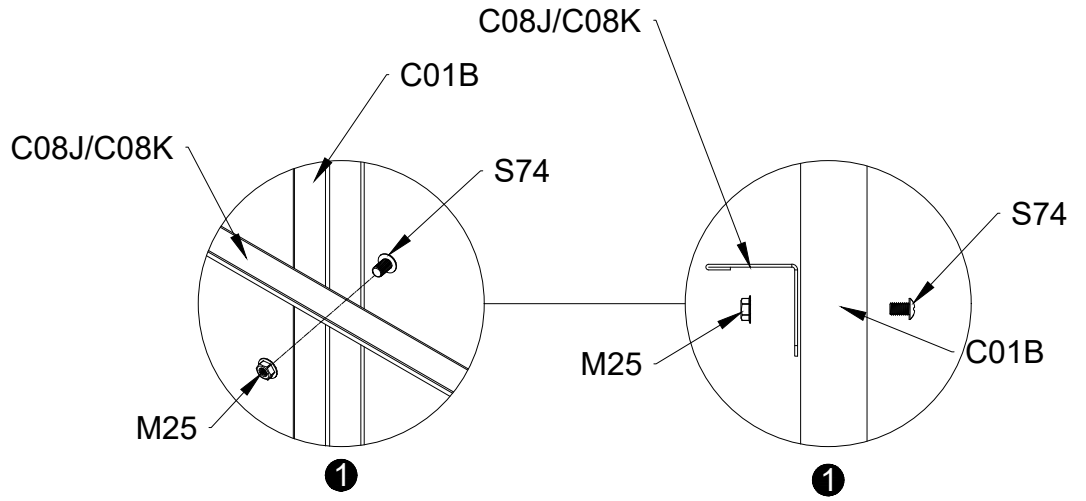
PART	NO	QTY
	C08H	1
	C08I	1
	S74 M4X8	12
	M25 M4	12



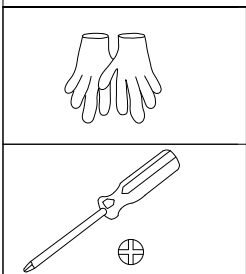
PART	NO	QTY
	C08G	2
	C08H	1
	C08M	4
	C08P	1
	S74	40
	M4X8	
	M25	40
	M4	

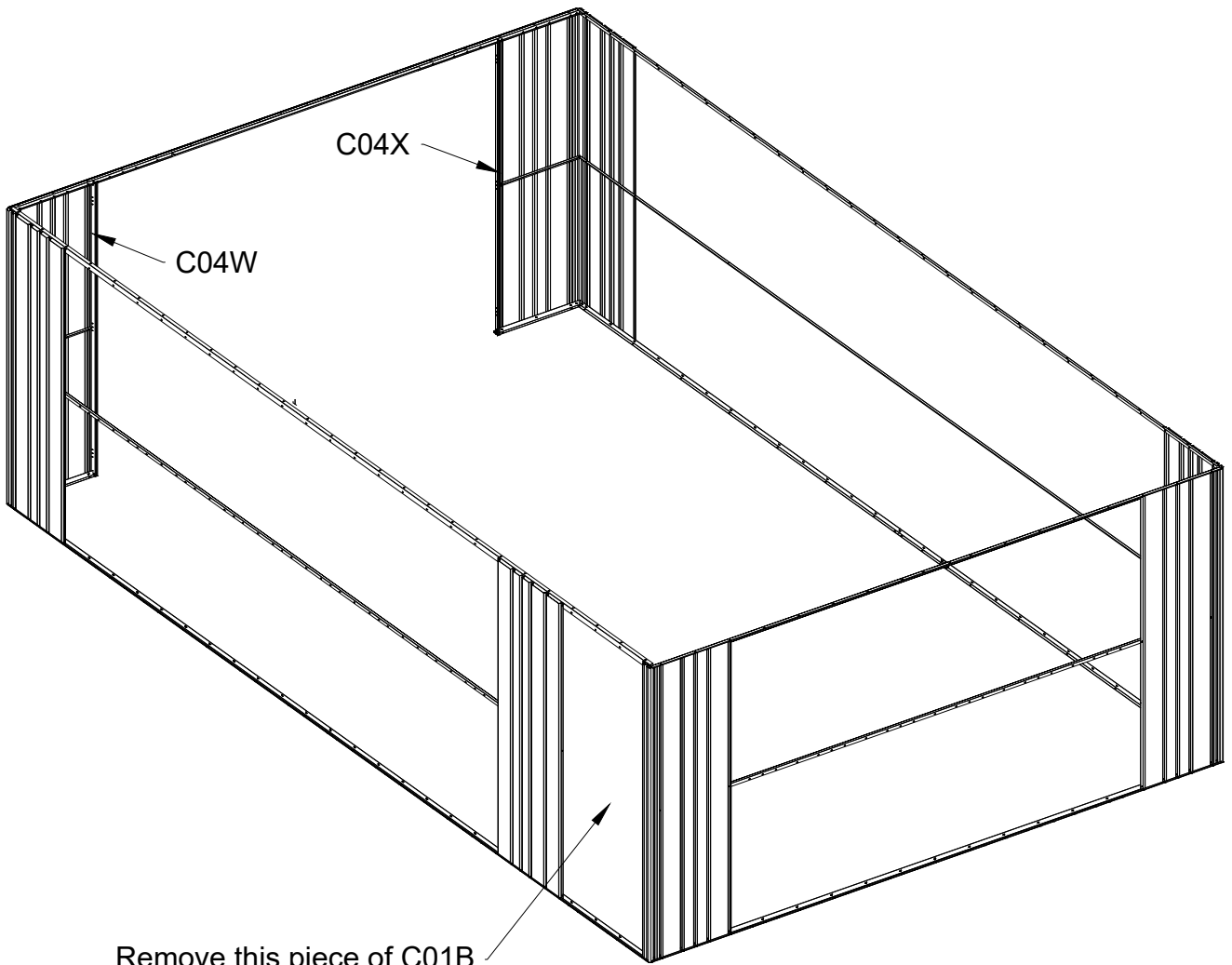


PART	NO	QTY
	C08J	1
	C08K	1
	S74 M4X8	10
	M25 M4	10

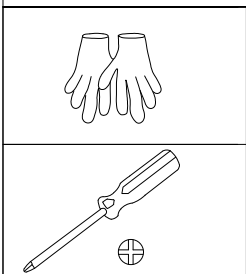






To facilitate installation, adjust the orientation of the view.

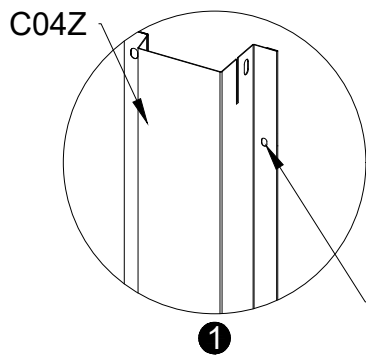




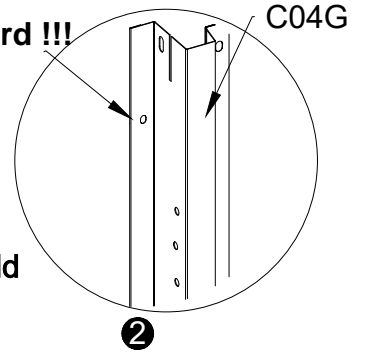
To facilitate installation, adjust the orientation of the view.



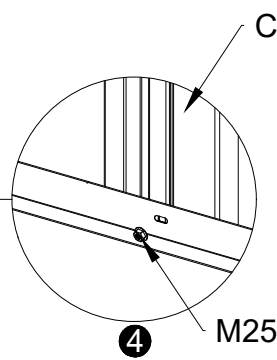
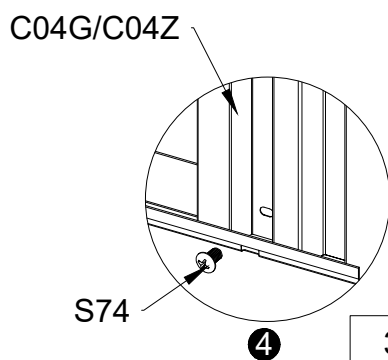
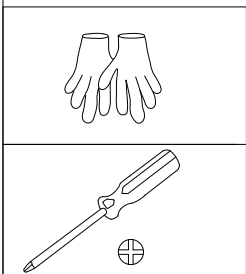
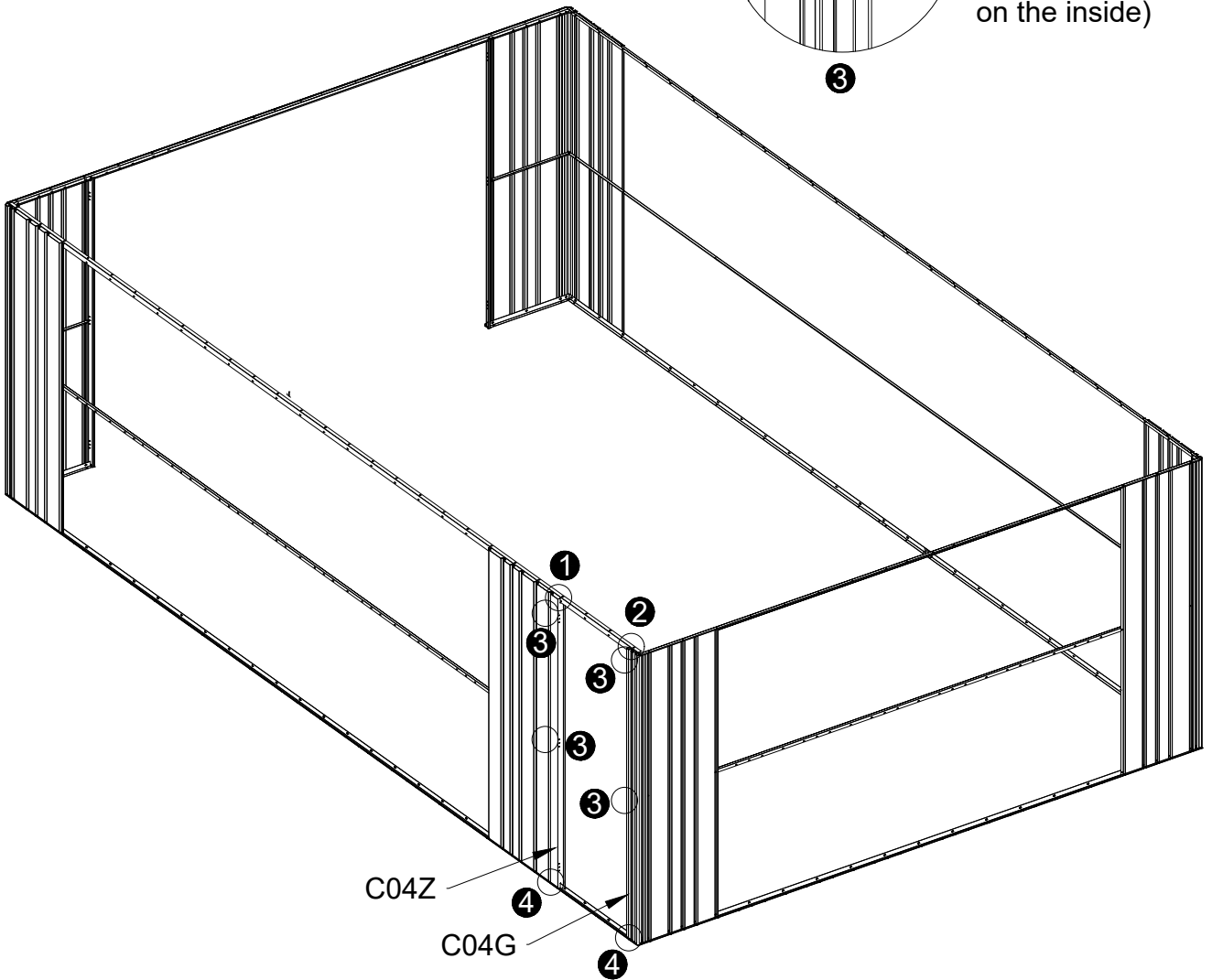
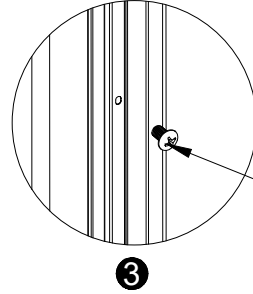
PART	NO	QTY
	C04G	1
	C04Z	1
	S74	6
	M4X8	
	M25	6
	M4	






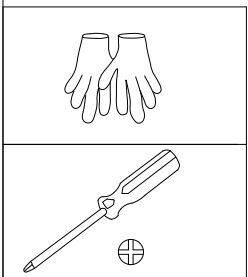
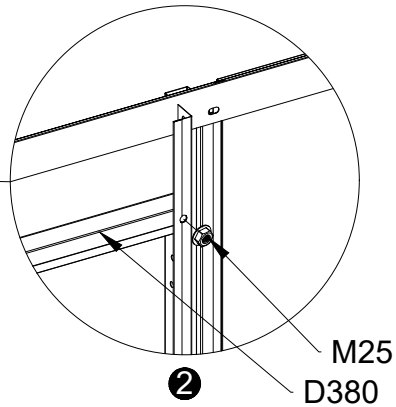
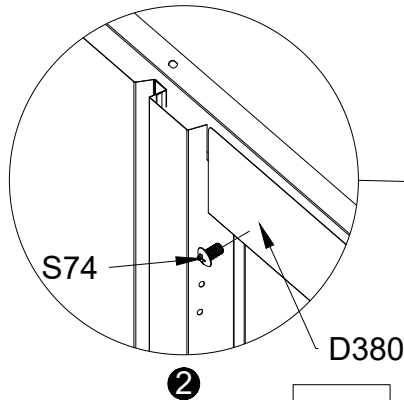
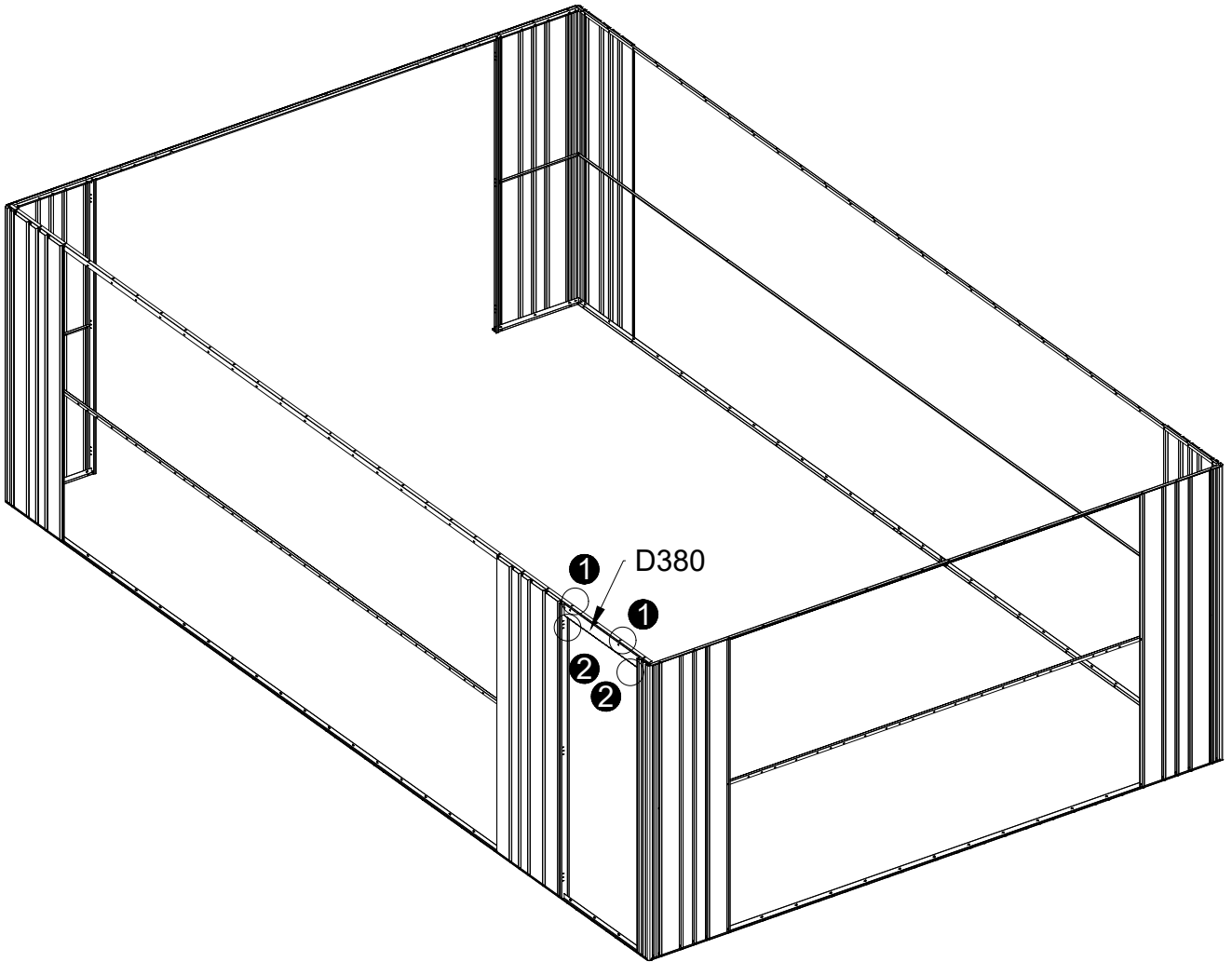
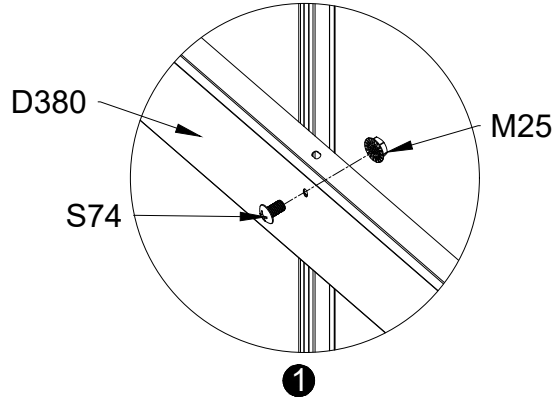
The hole position should face upward !!!









The hole position should face upward !!!

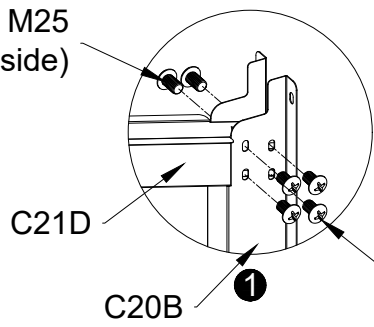


PART	NO	QTY
	D380	1
	S74	4
	M4X8	
	M25	4
	M4	



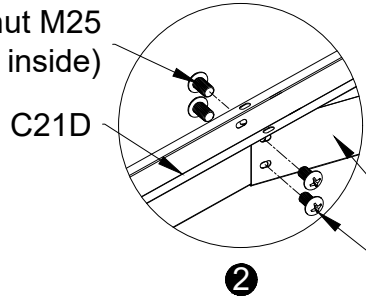
PART	NO	QTY
	C20B	4
	C20H	2
	C20F	2
	C21D	4
	S74 M4X8	64
	M25 M4	64

S74 (Install nut M25 on the inside)

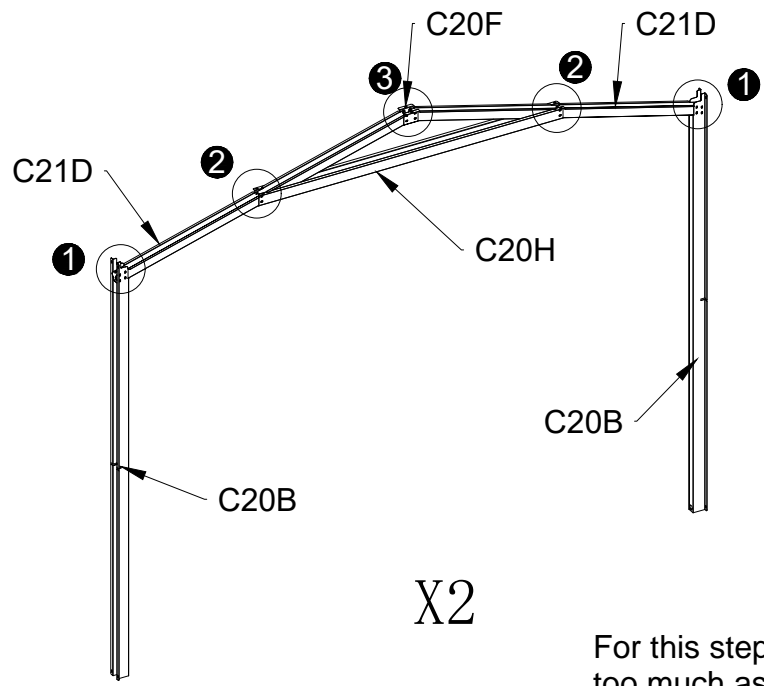


S74 (Install nut M25 on the inside)

S74 (Install nut M25 on the inside)

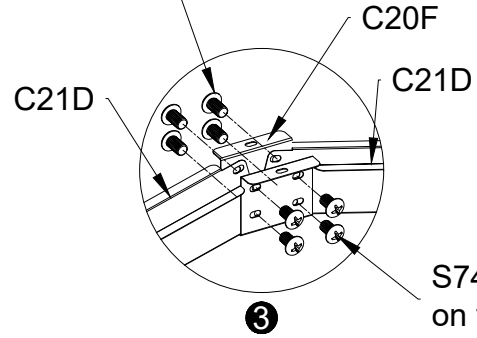


S74 (Install nut M25 on the inside)

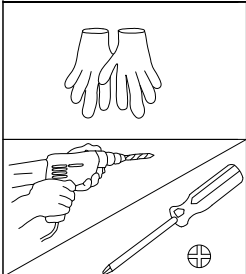




For this step, don't tighten the screw too much, as adjustments will be needed later.

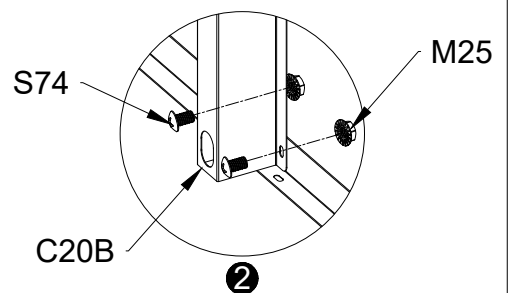
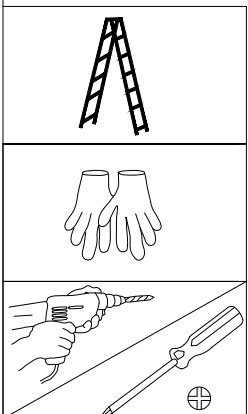
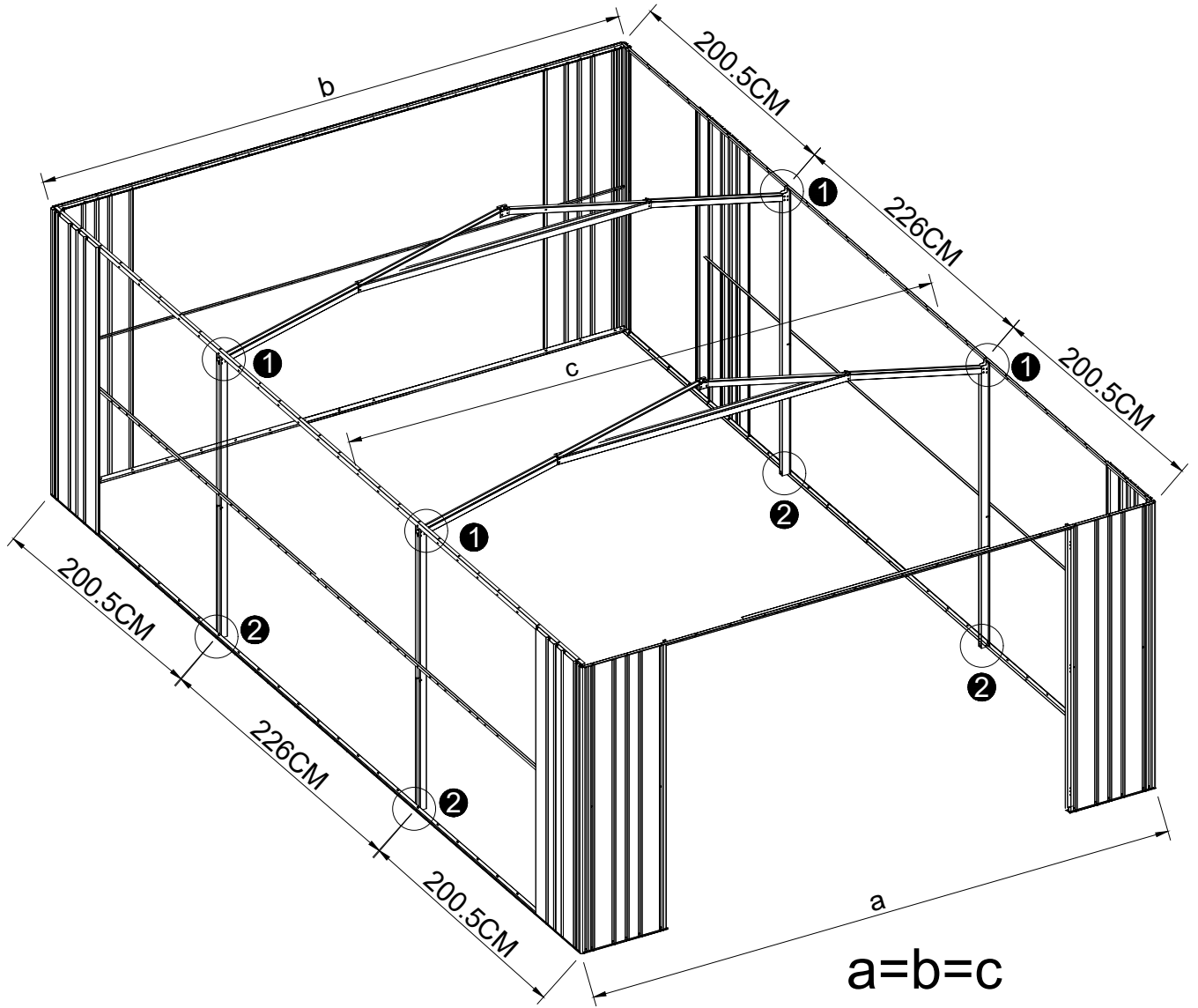
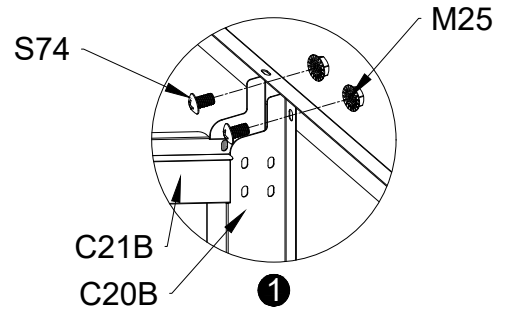
S74 (Install nut M25 on the inside)

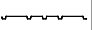
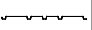




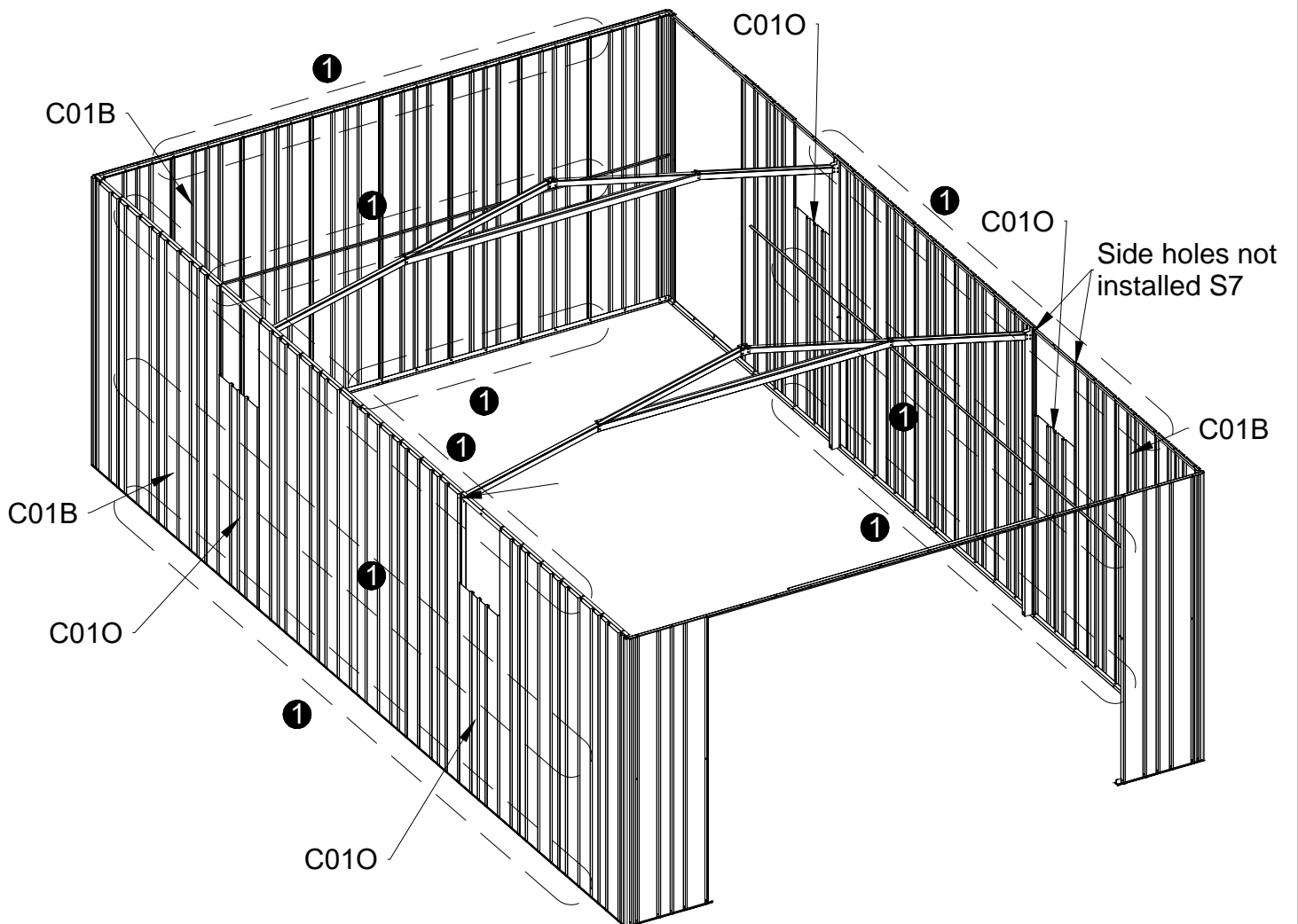
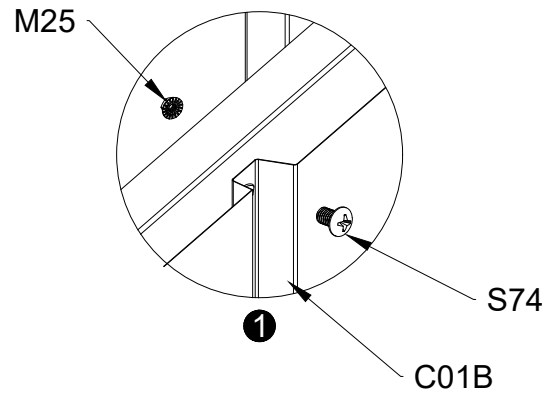
S74 (Install nut M25 on the inside)



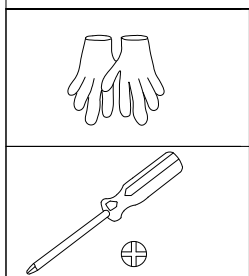
PART	NO	QTY
	S74	16
	M4X8	
	M25	16
	M4	








PART	NO	QTY
	C01B	22
	C01O	4
	S74 M4X8	268
	M25 M4	268

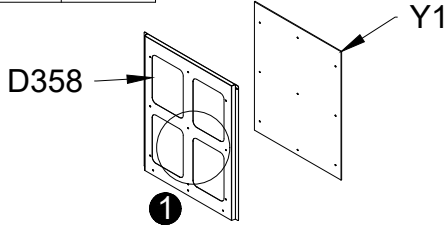
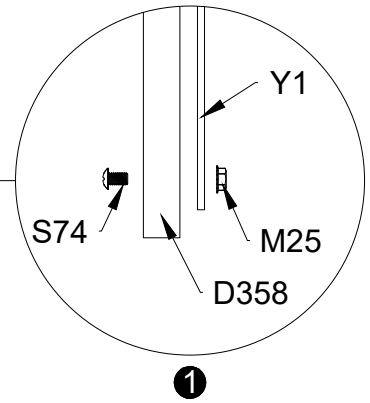
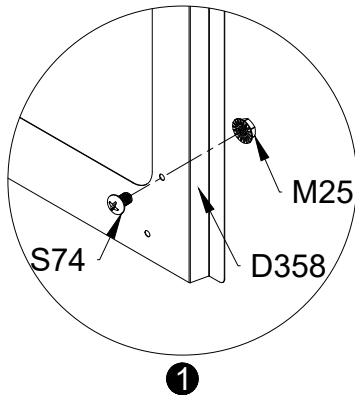


Above C01O is the window installation position , which can be adjusted according to the actual situation of the individual position

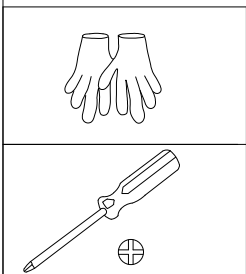
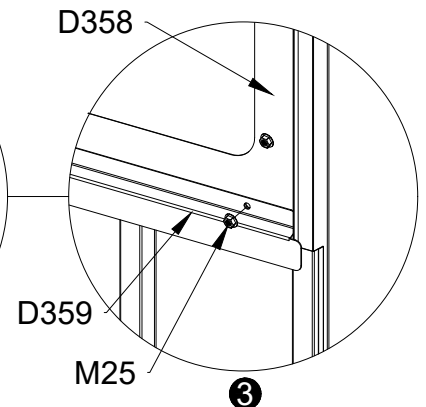
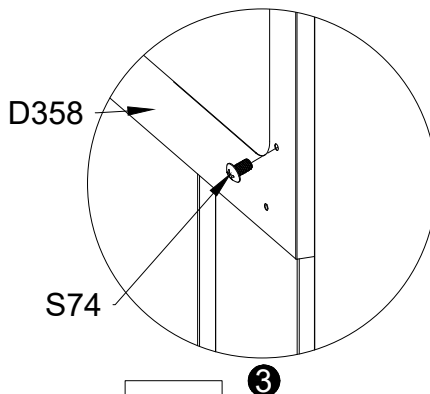
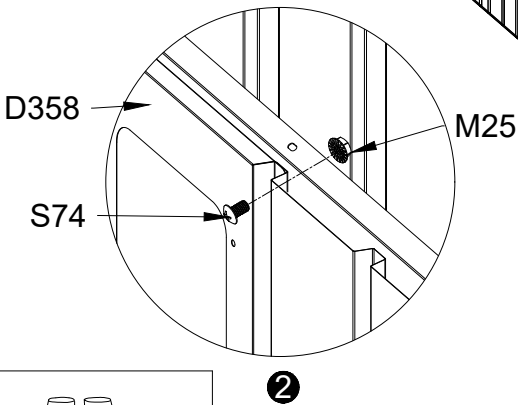
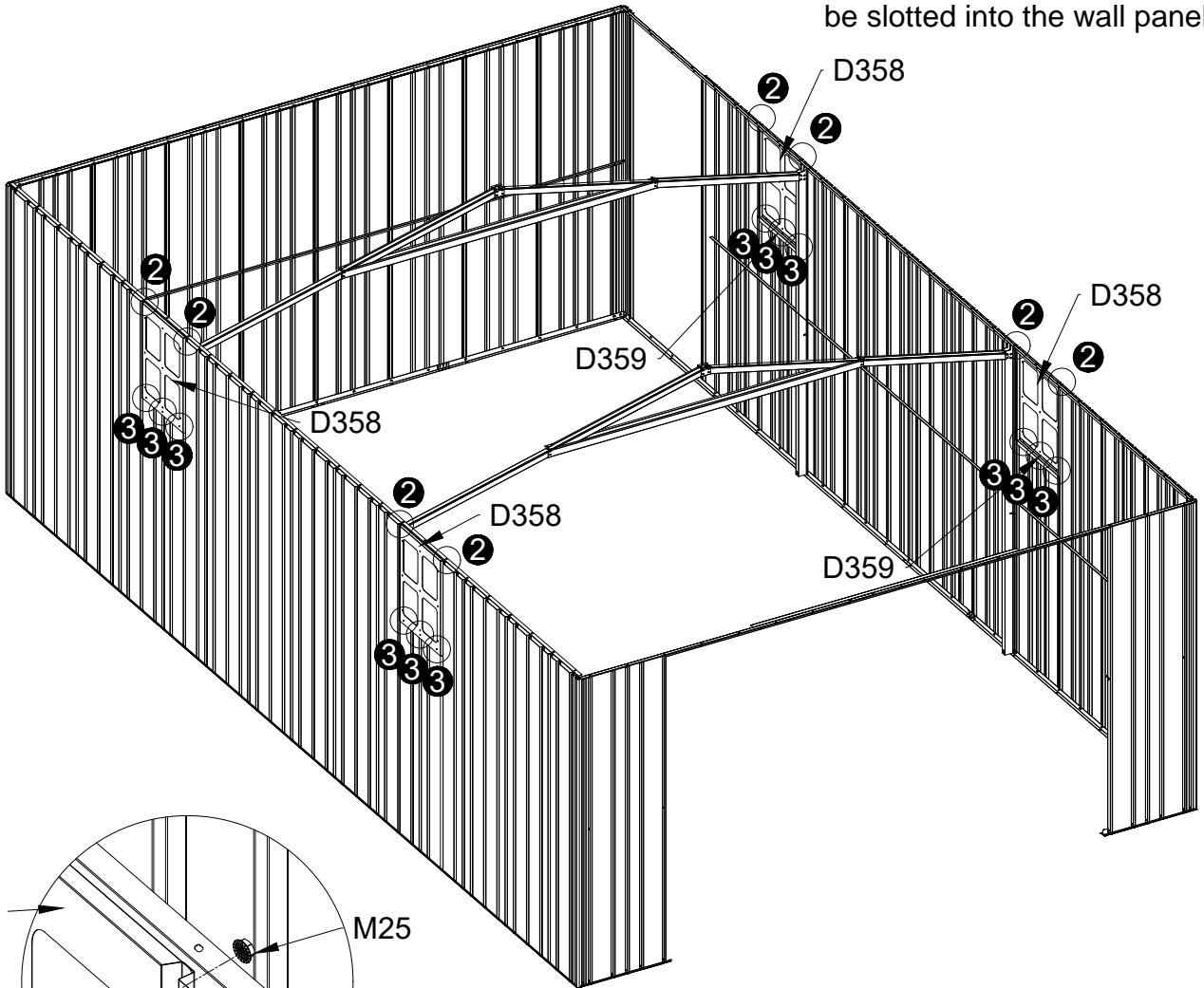


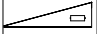
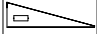

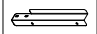





S74 not installed at C01B top near window edge (C01O)

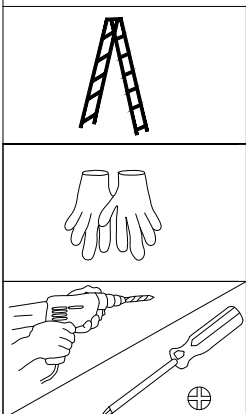
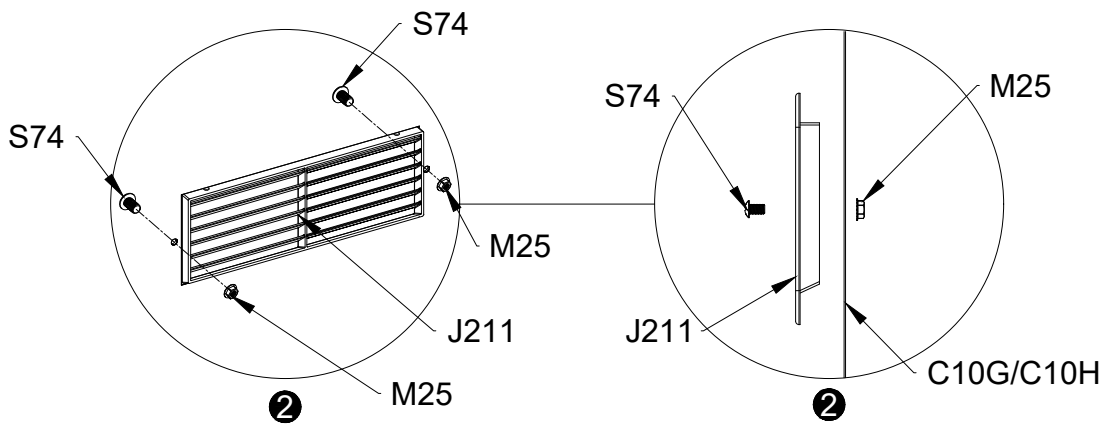
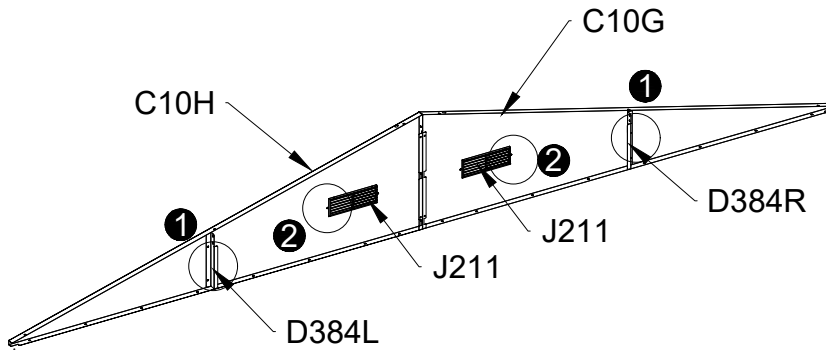
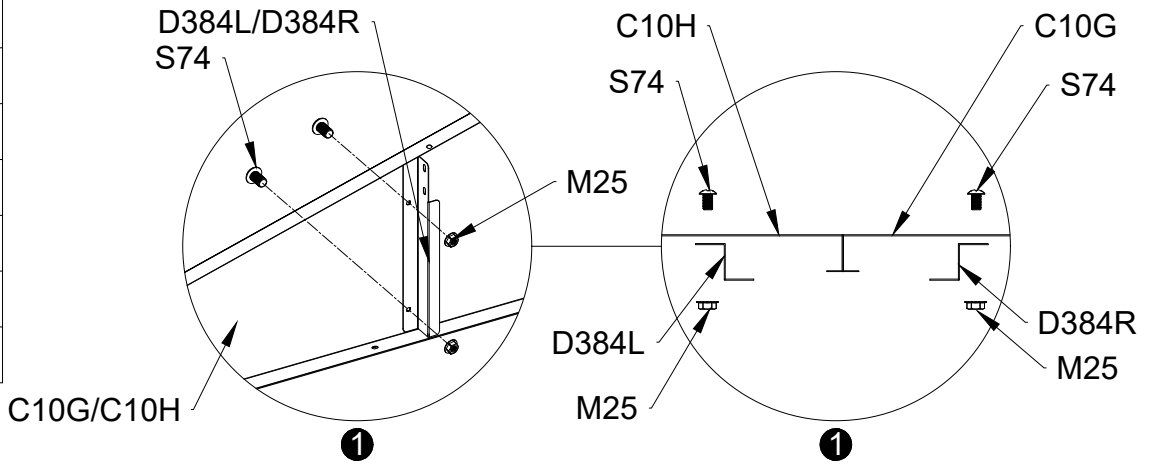
PART	NO	QTY
	D358	4
	D359	4
	Y1	4
	S74	60
	M4X8	
	M25	60
	M4	





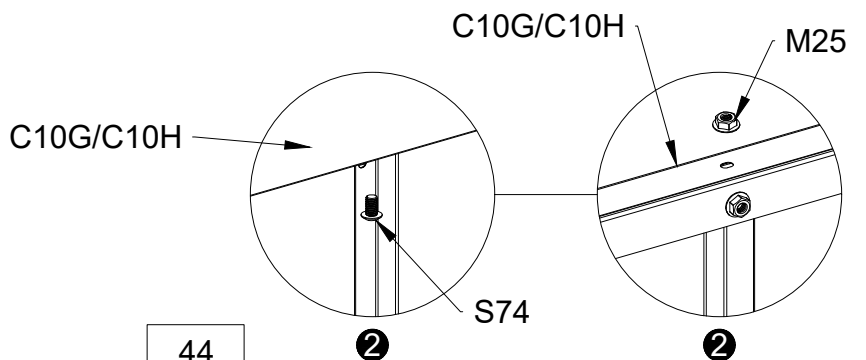
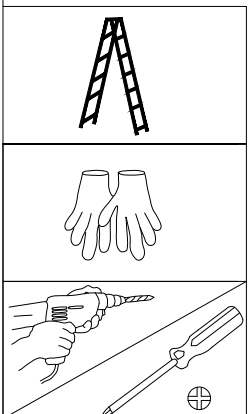
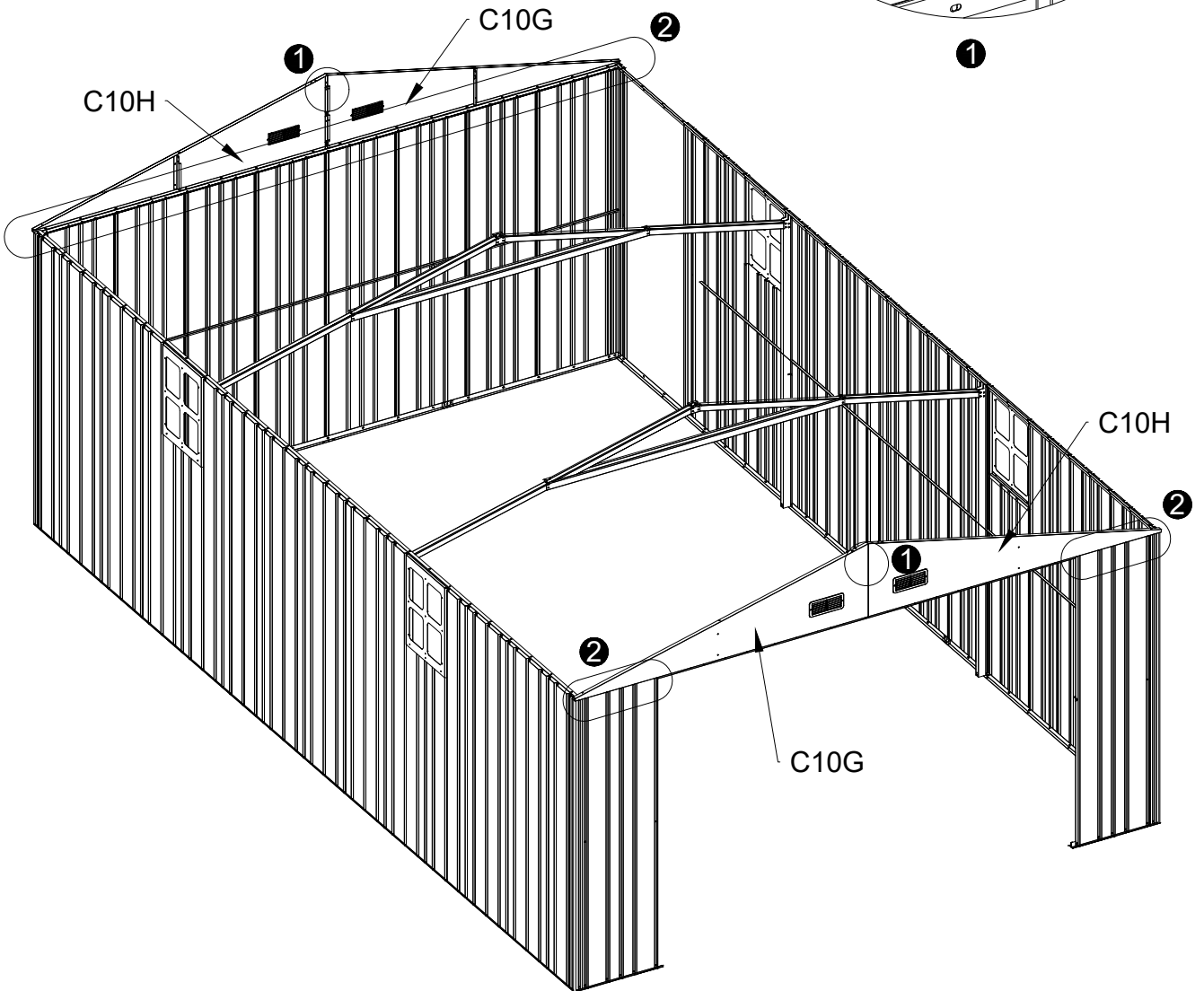
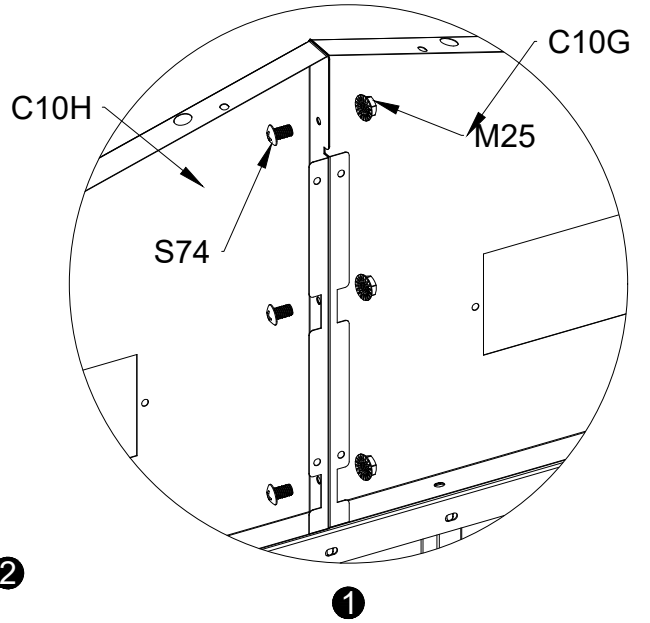
The window is installed from the outside to the inside, and the top of the window needs to be slotted into the wall panel.



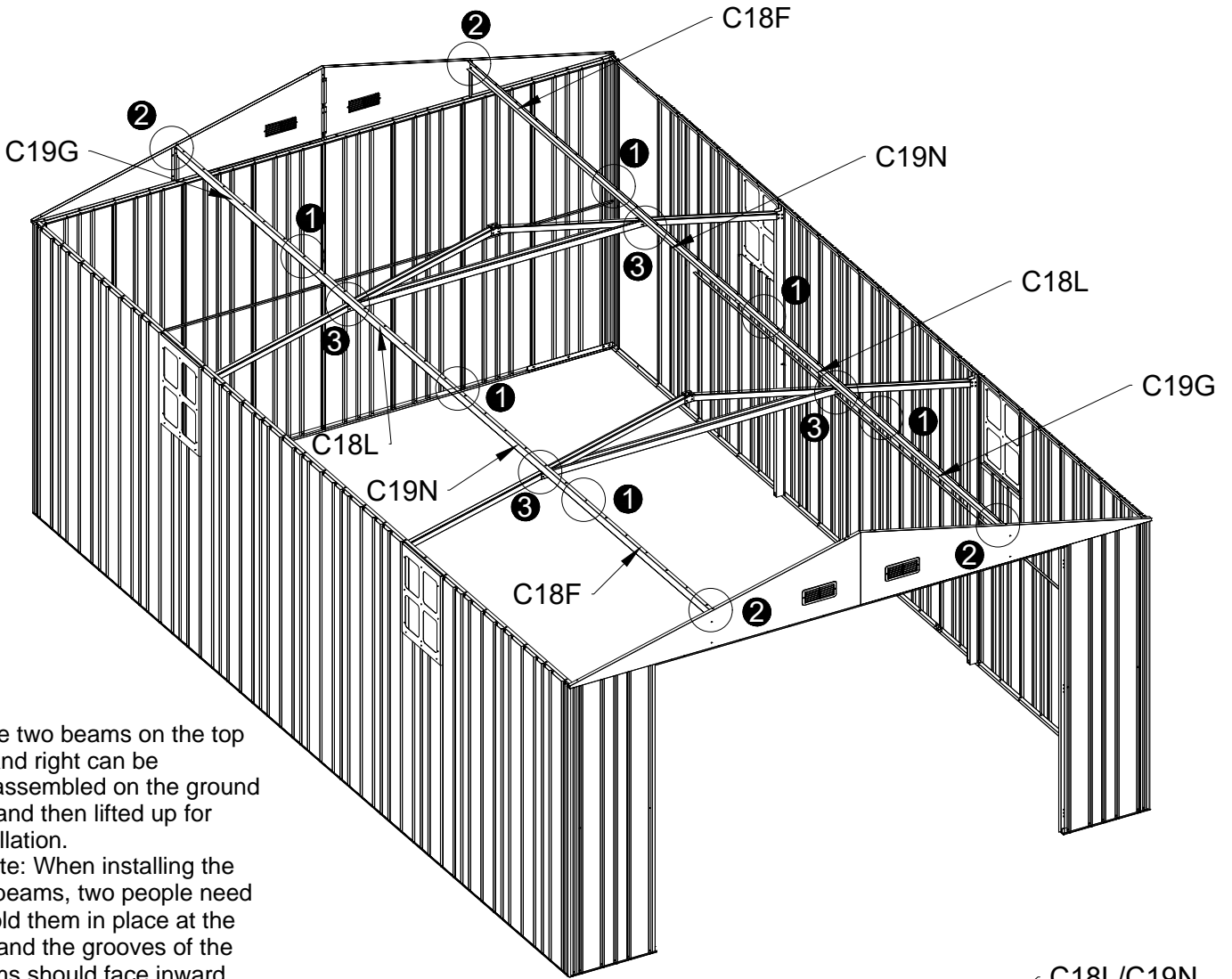
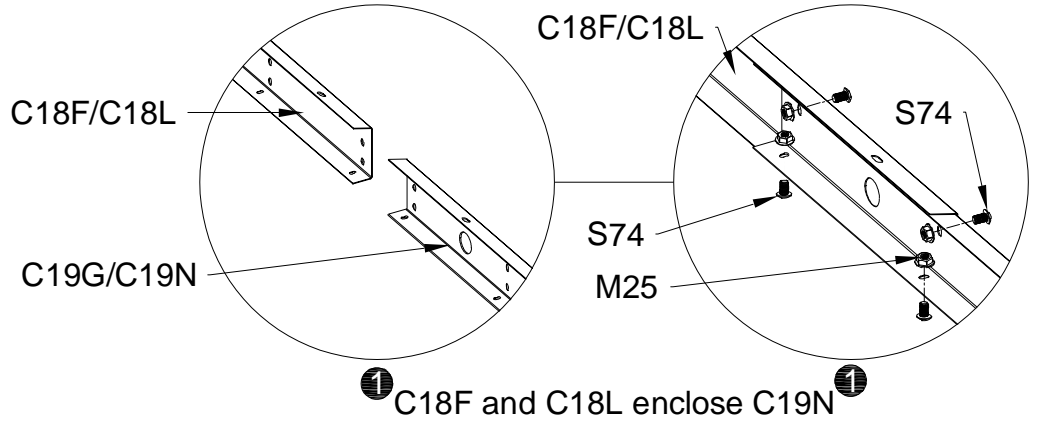
PART	NO	QTY
	C10G	2
	C10H	2
	D384L	2
	D384R	2
	J211	4
	S74	16
	M4X8	
	M25	16
	M4	



PART	NO	QTY
	S74	42
	M4X8	
	M25	42
	M4	

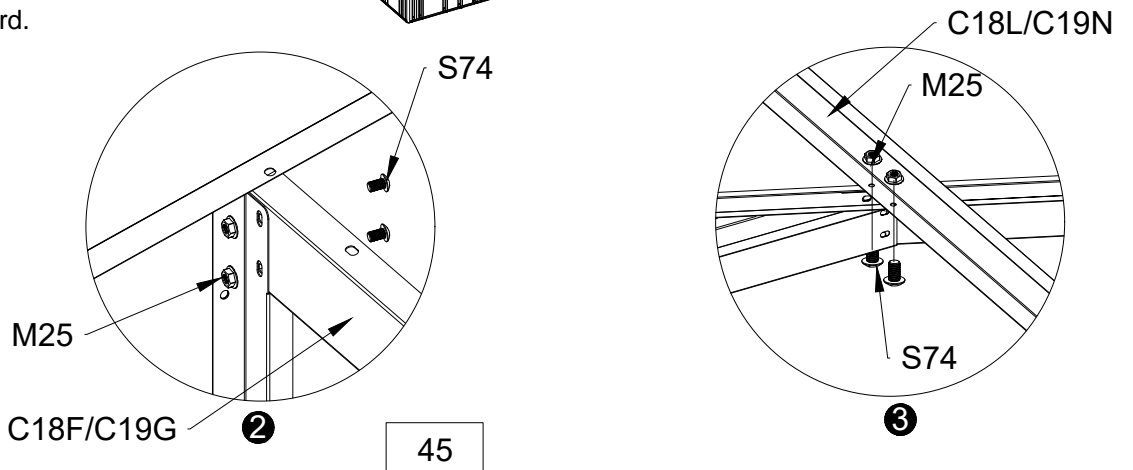
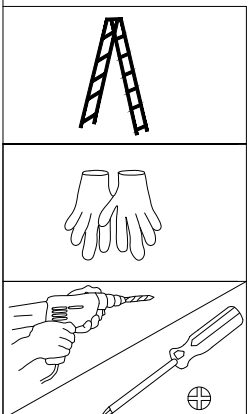





PART	NO	QTY
	C18F	2
	C18L	2
	C19G	2
	C19N	2
	S74	40
	M4X8	
	M25	40
	M4	

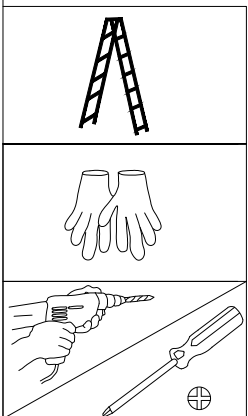
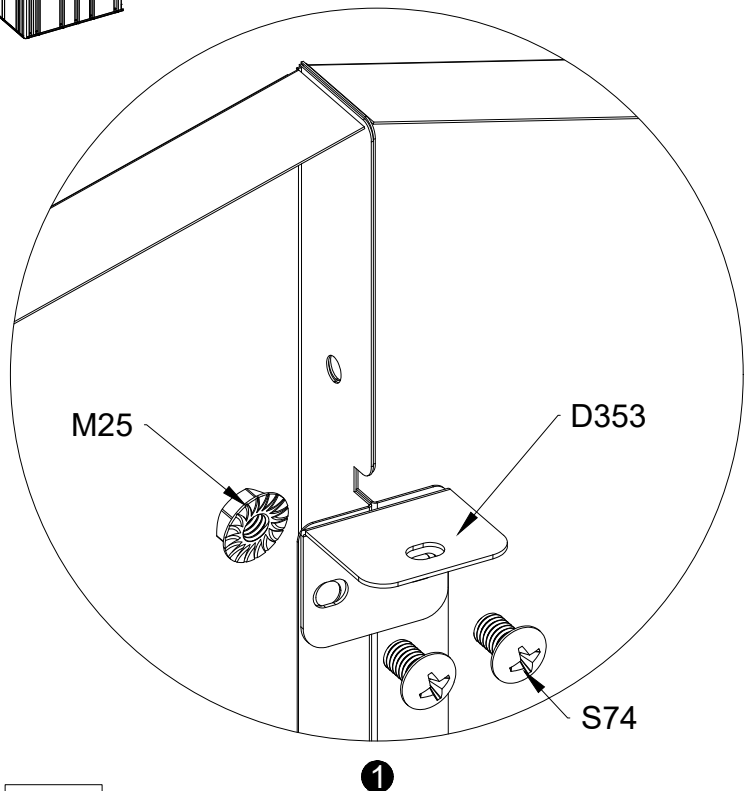
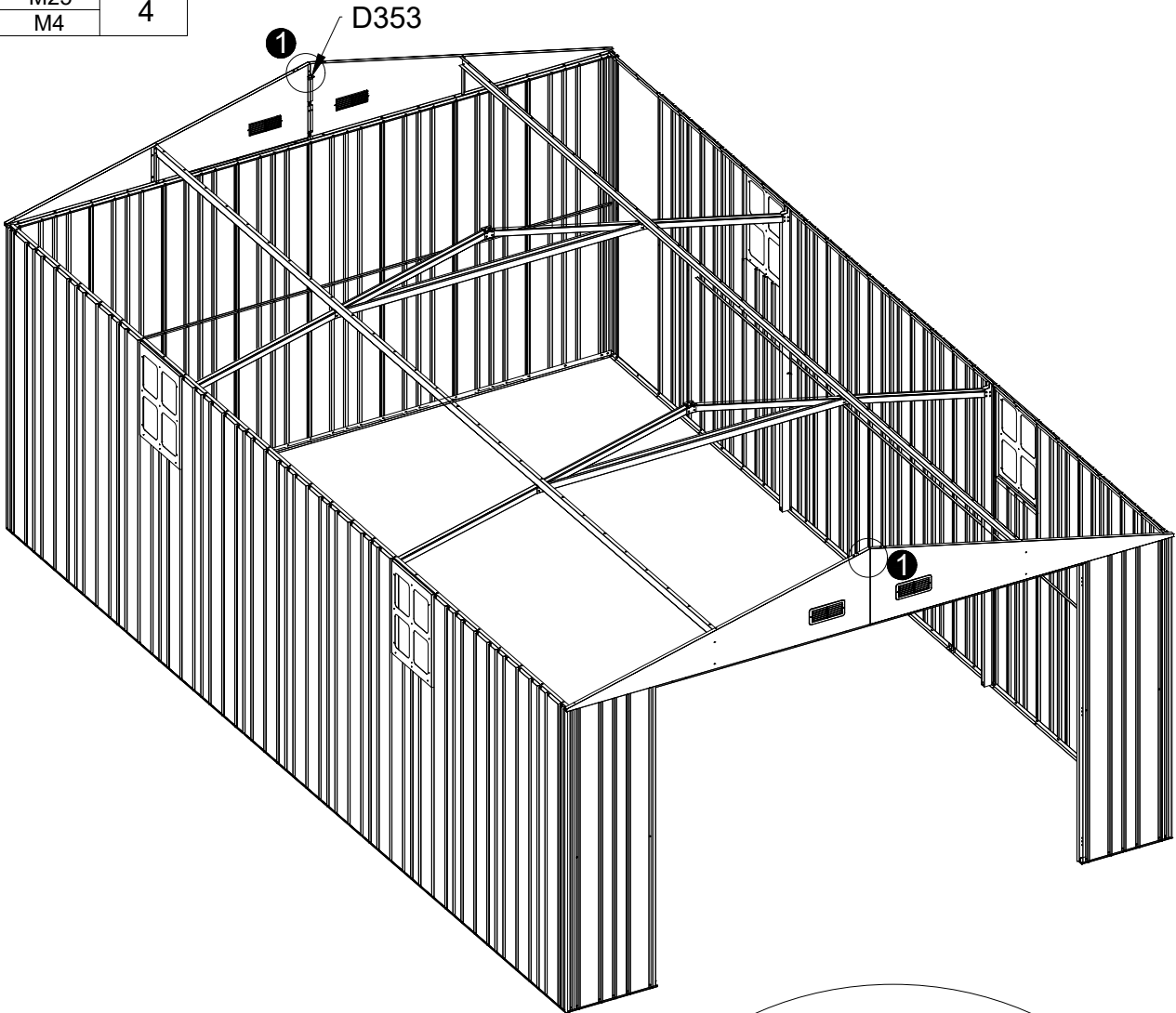







1. The two beams on the top left and right can be pre-assembled on the ground first and then lifted up for installation.

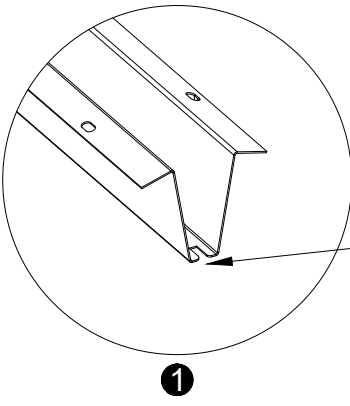
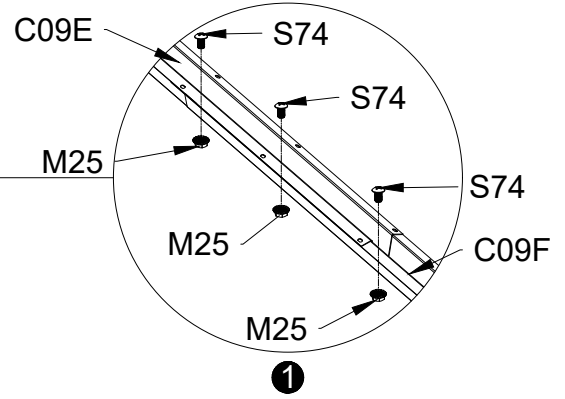
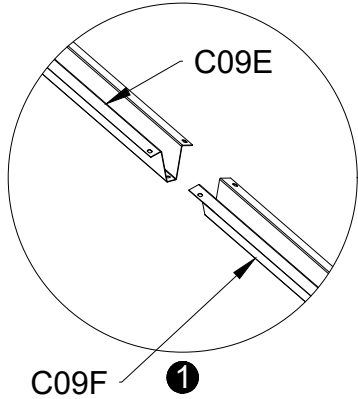
2. Note: When installing the two beams, two people need to hold them in place at the top, and the grooves of the beams should face inward.



PART	NO	QTY
	D353	2
	S74 M4X8	4
	M25 M4	4

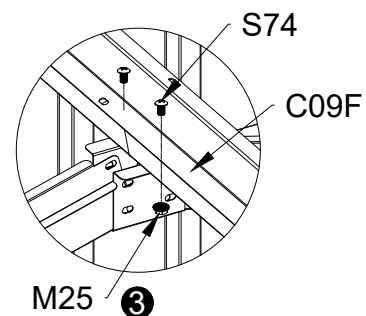
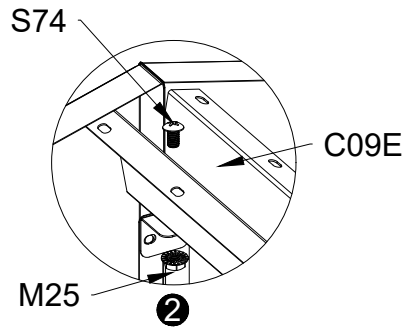
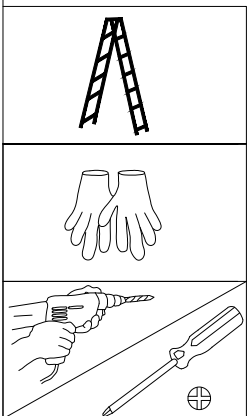
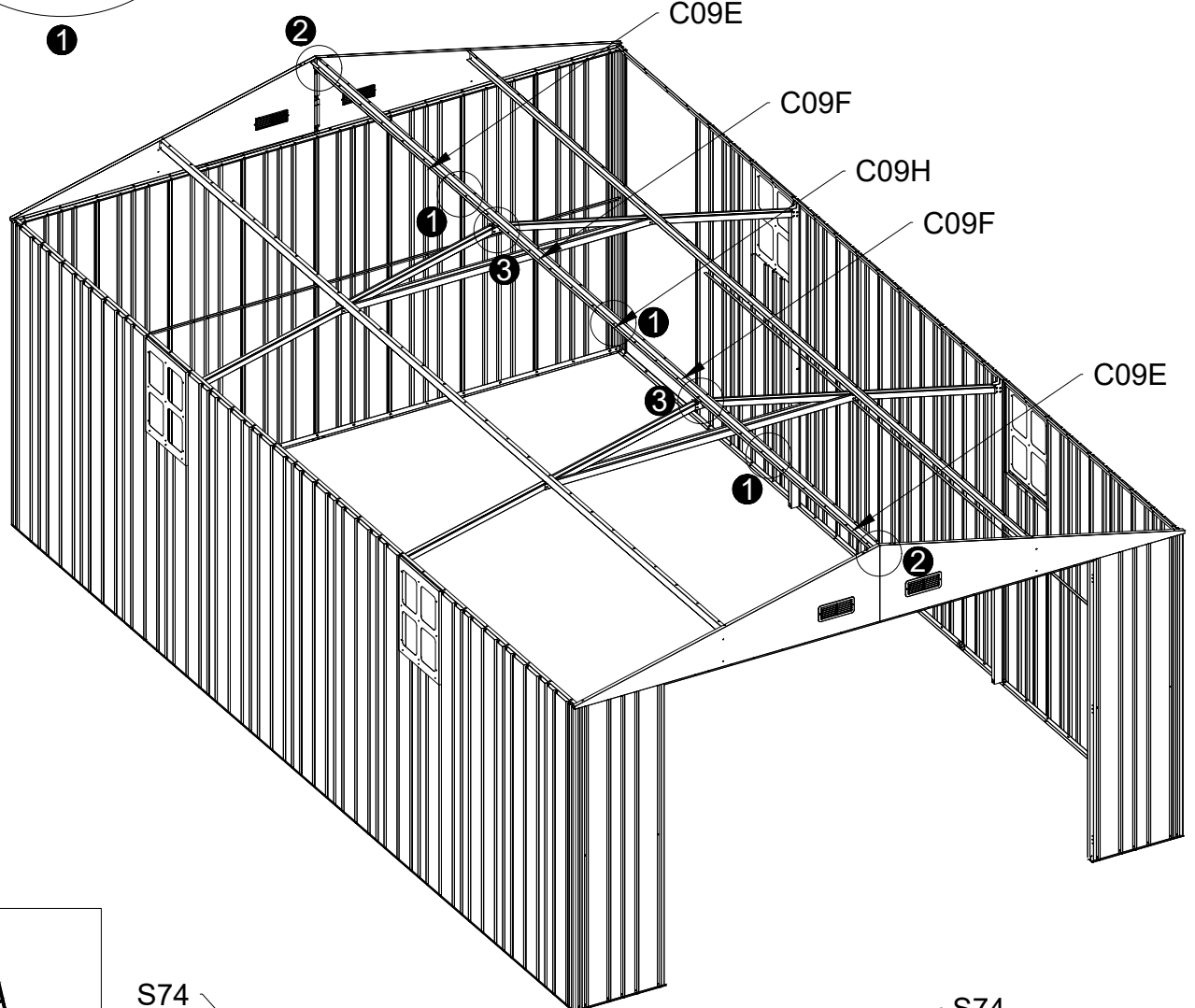





PART	NO	QTY
	C09E	2
	C09F	2
	C09H	1
	S74	15
	M4X8	
	M25	15
	M4	

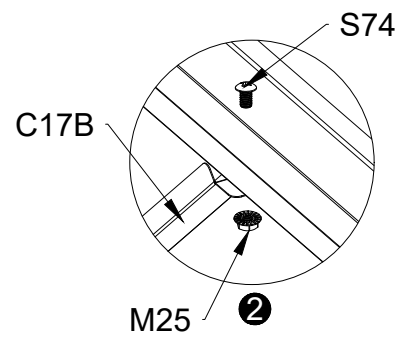
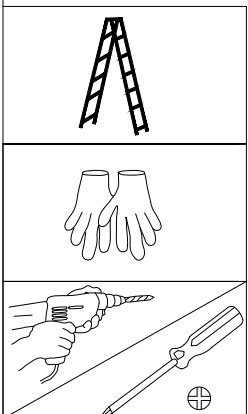
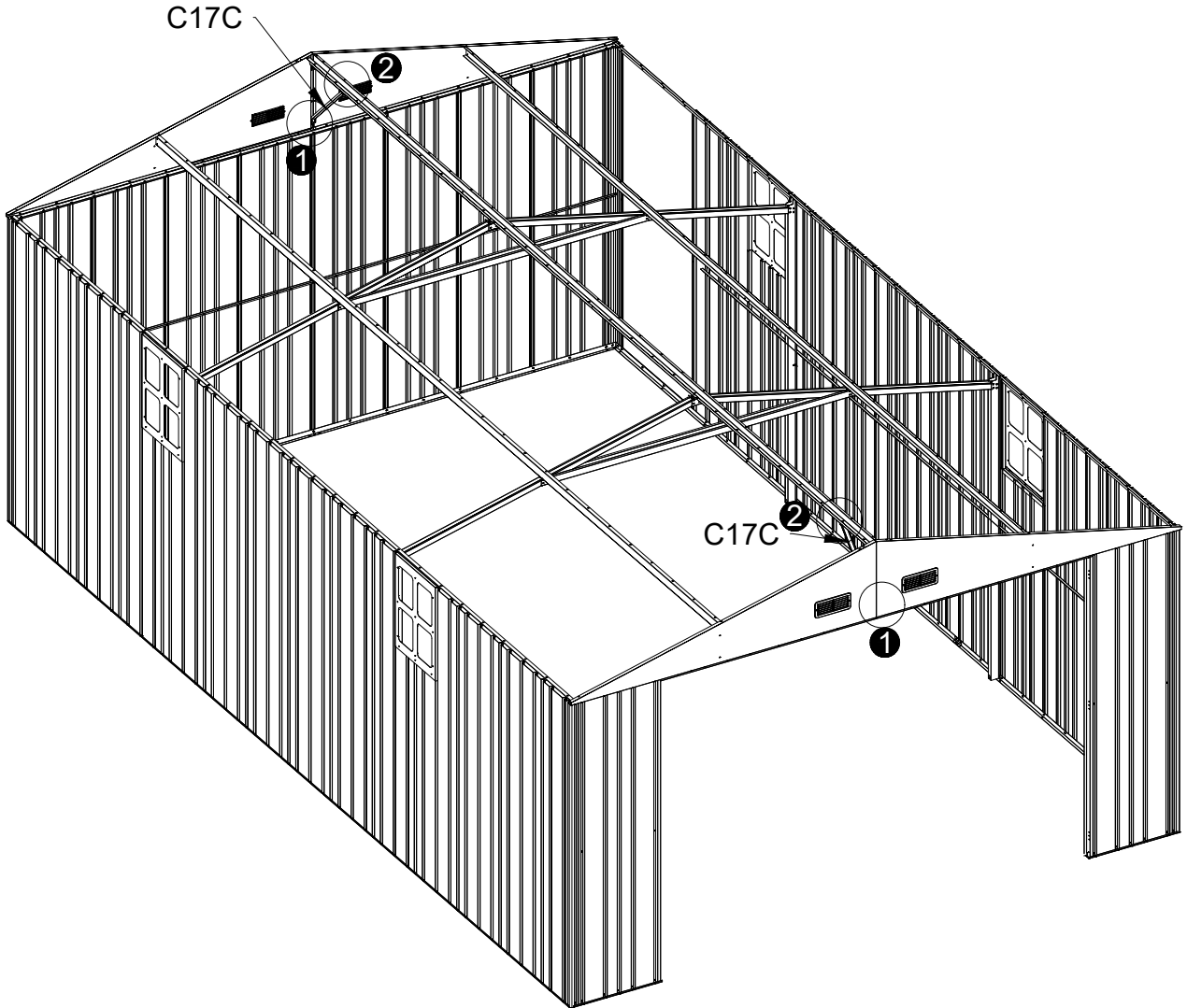
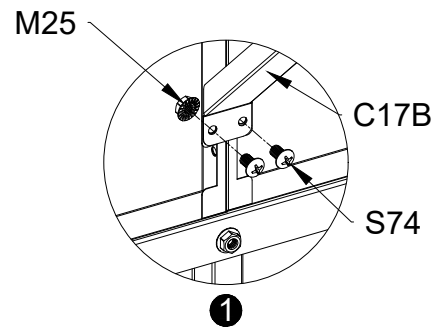


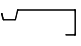




There are slots at both ends; there are no slots at the connection

The screws for the top beam are installed in the holes located in the middle groove.

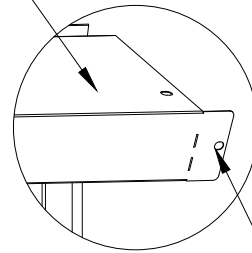


PART	NO	QTY
	C17C	2
	S74	6
	M4X8	
	M25	6
	M4	



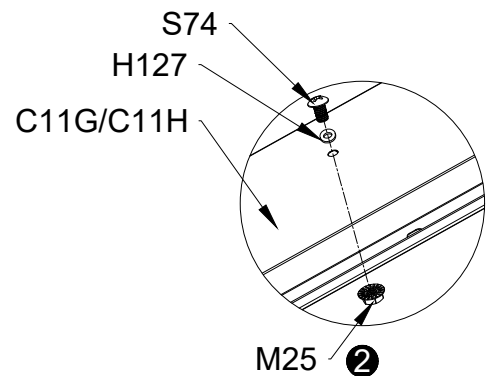
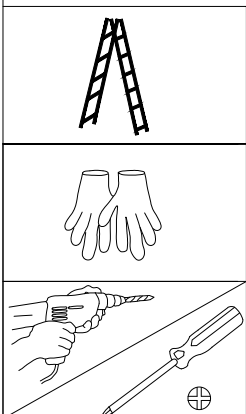
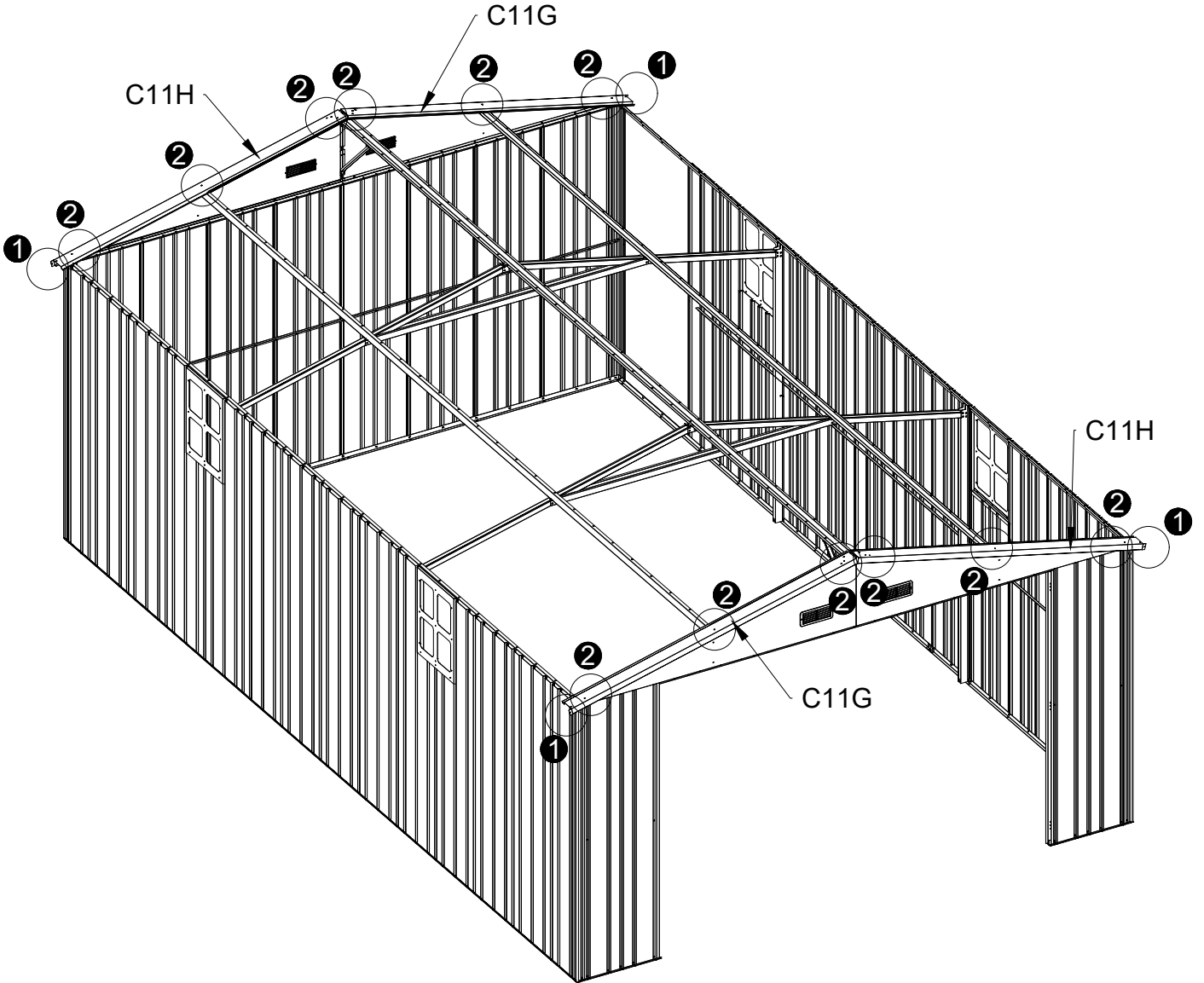
PART	NO	QTY
	C11G	2
	C11H	2
	S74 M4X8	12
	M25 M4	12
	H127	12

C11G/C11H

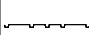







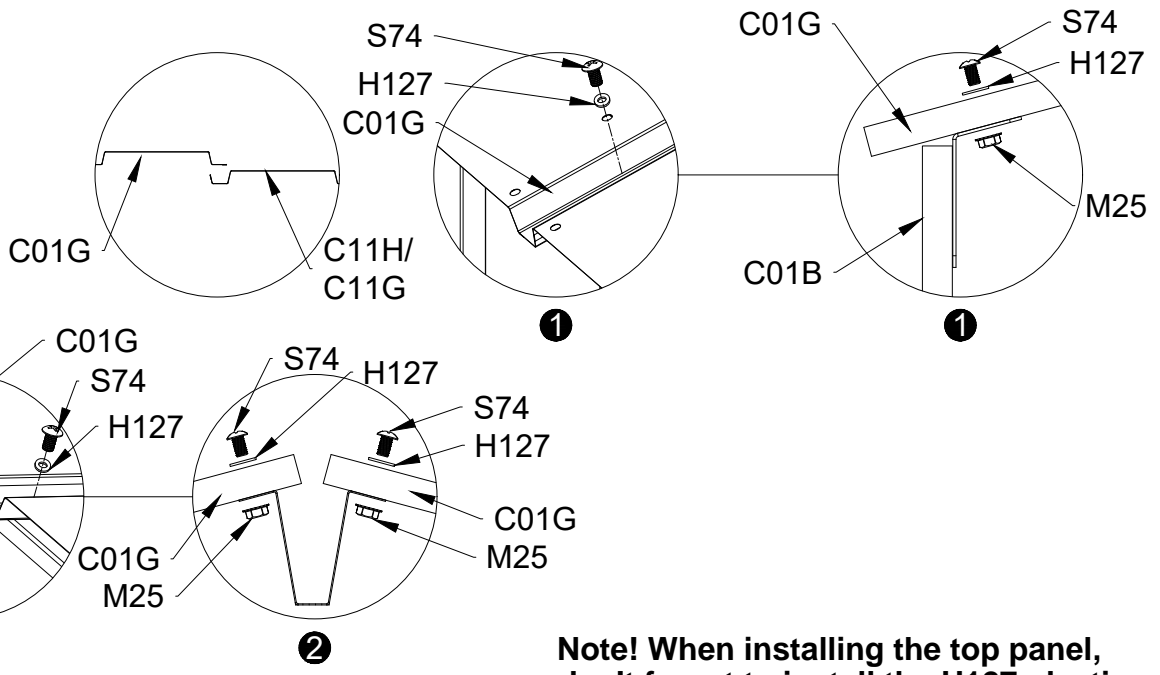
This protrusion should face outward

1

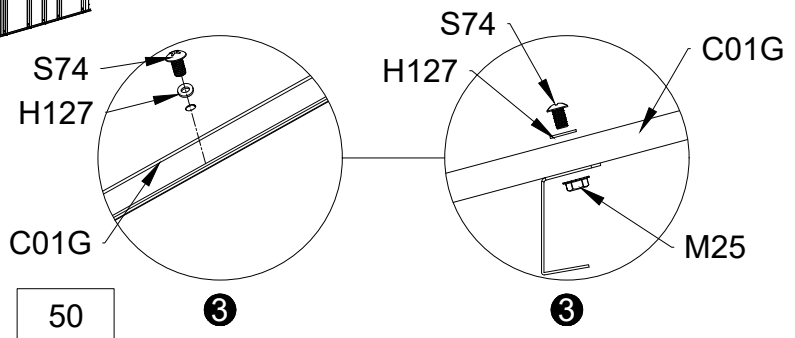
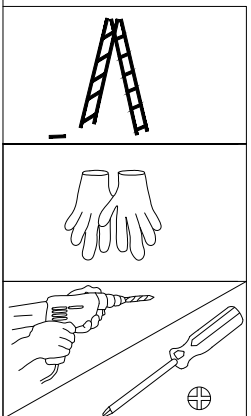
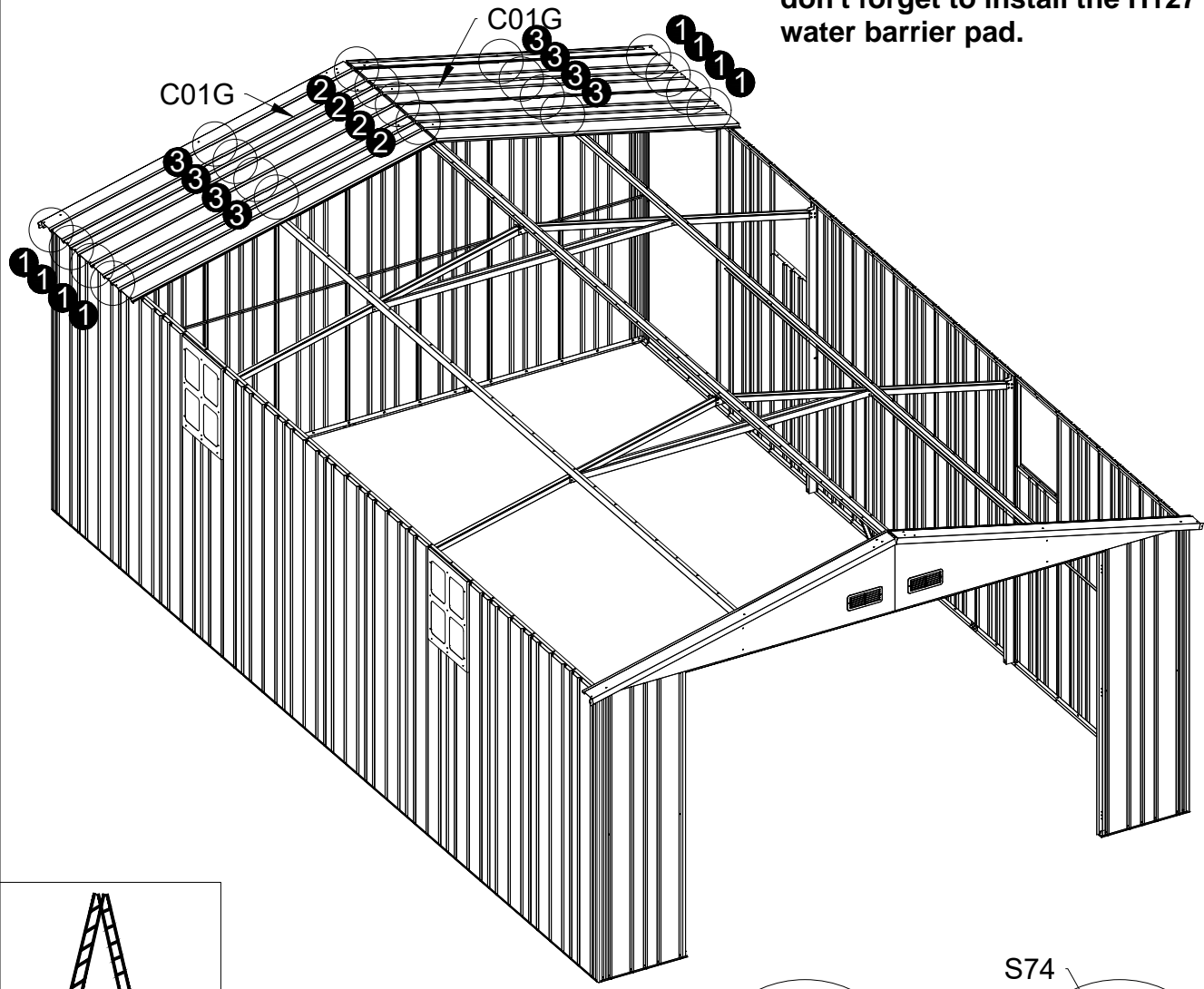


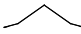




M25 2

PART	NO	QTY
	C01G	4
	S74	24
	M4X8	
	M25	24
	M4	
	H127	24

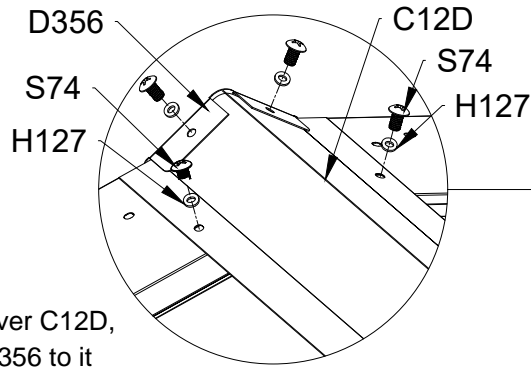


Note! When installing the top panel, don't forget to install the H127 plastic water barrier pad.

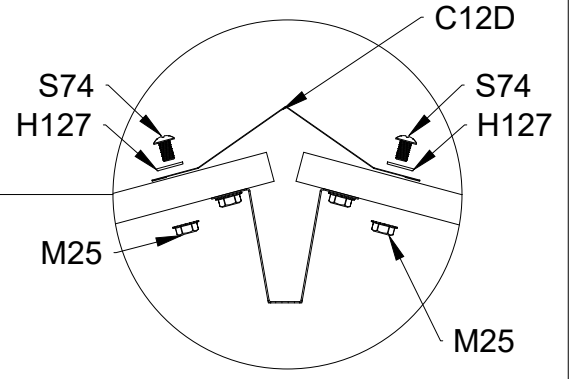


PART	NO	QTY
	C12D	1
	D356	1
	S74	6
	M4X8	
	M25	6
	M4	
	H127	6

Before installing the top cover C12D, first attach the iron piece D356 to it

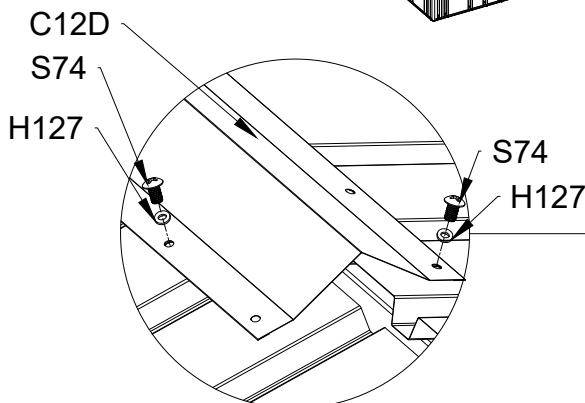
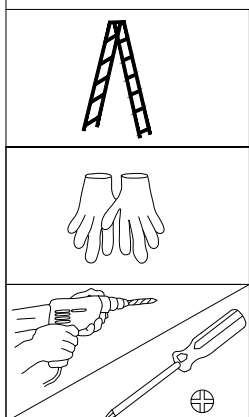
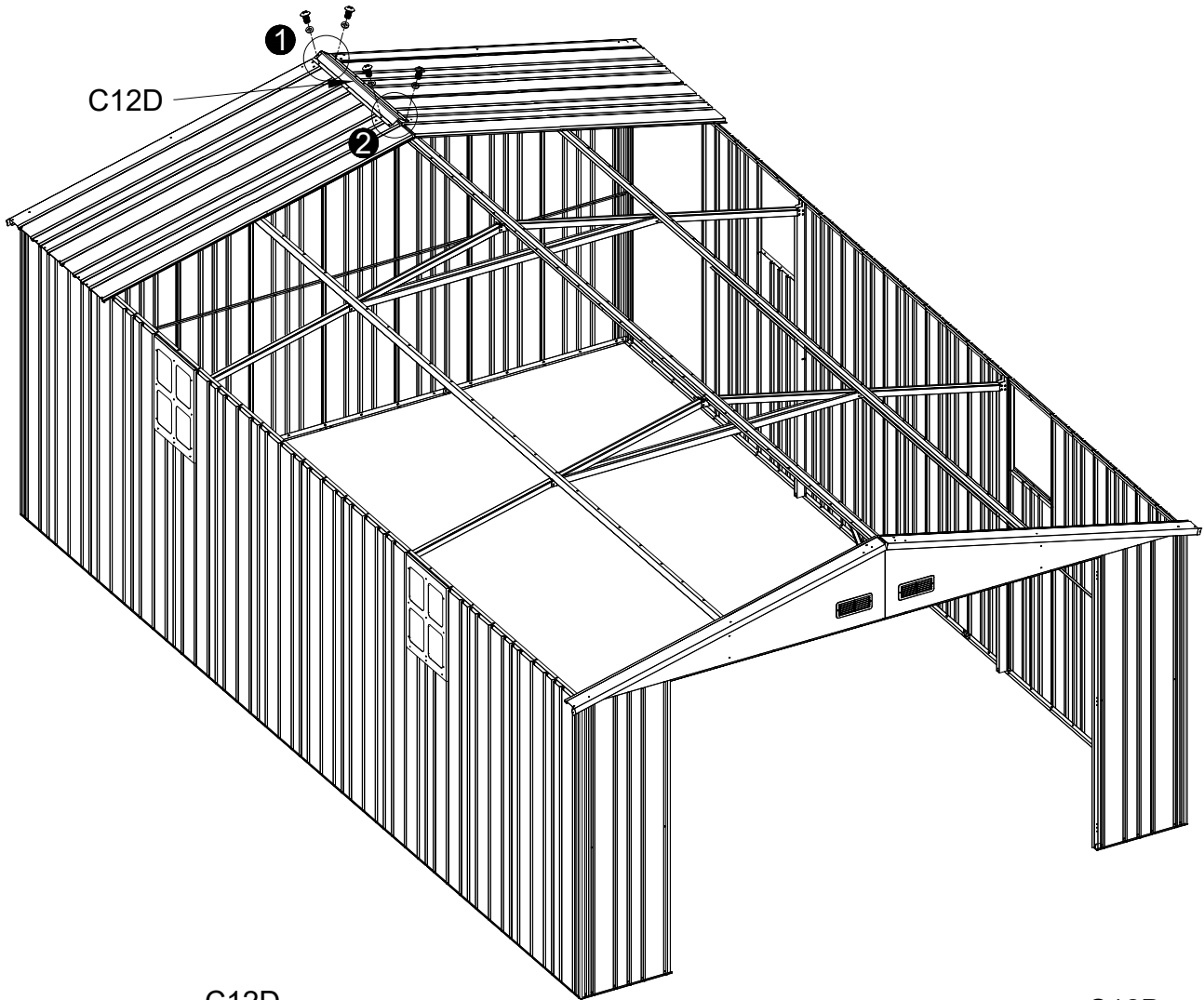


1



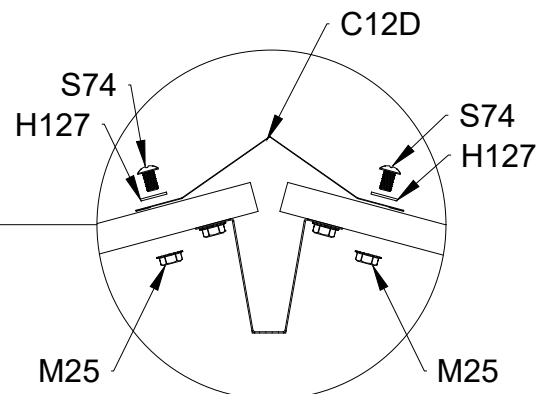
1

First install D356 on C12D, then install C12D









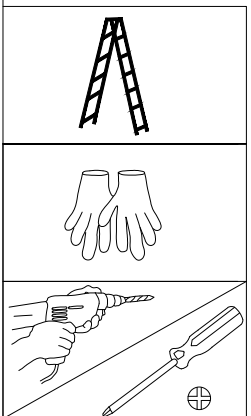
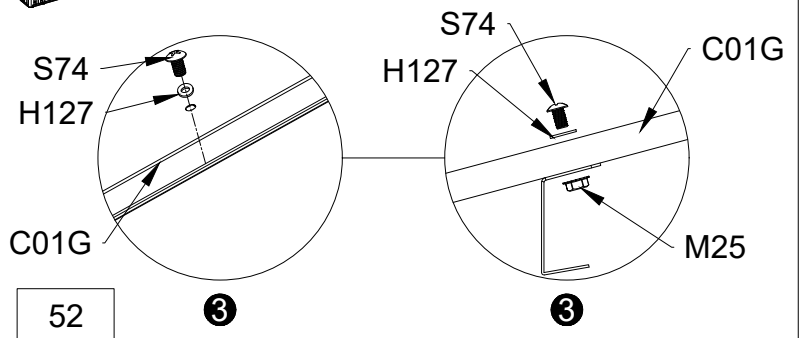
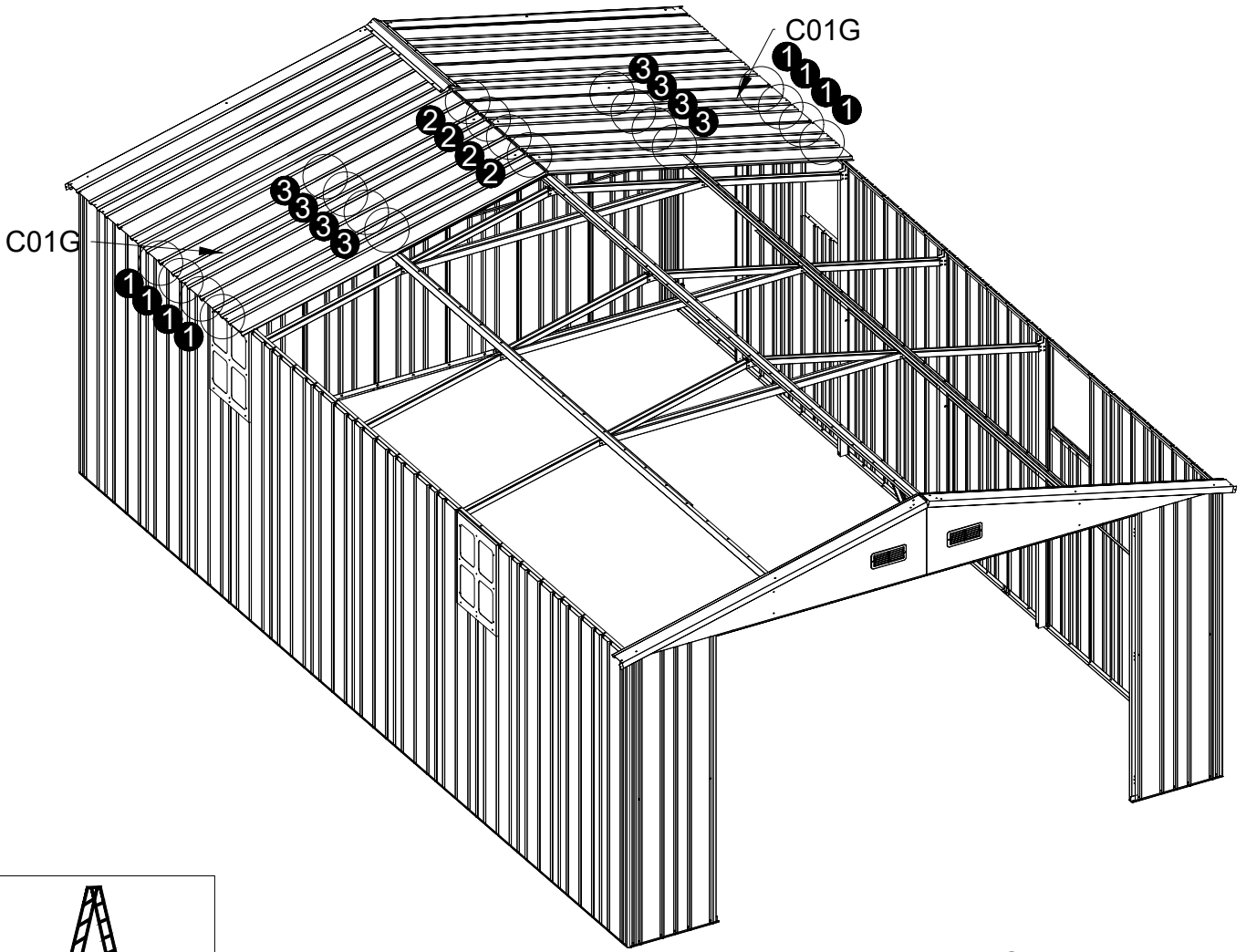
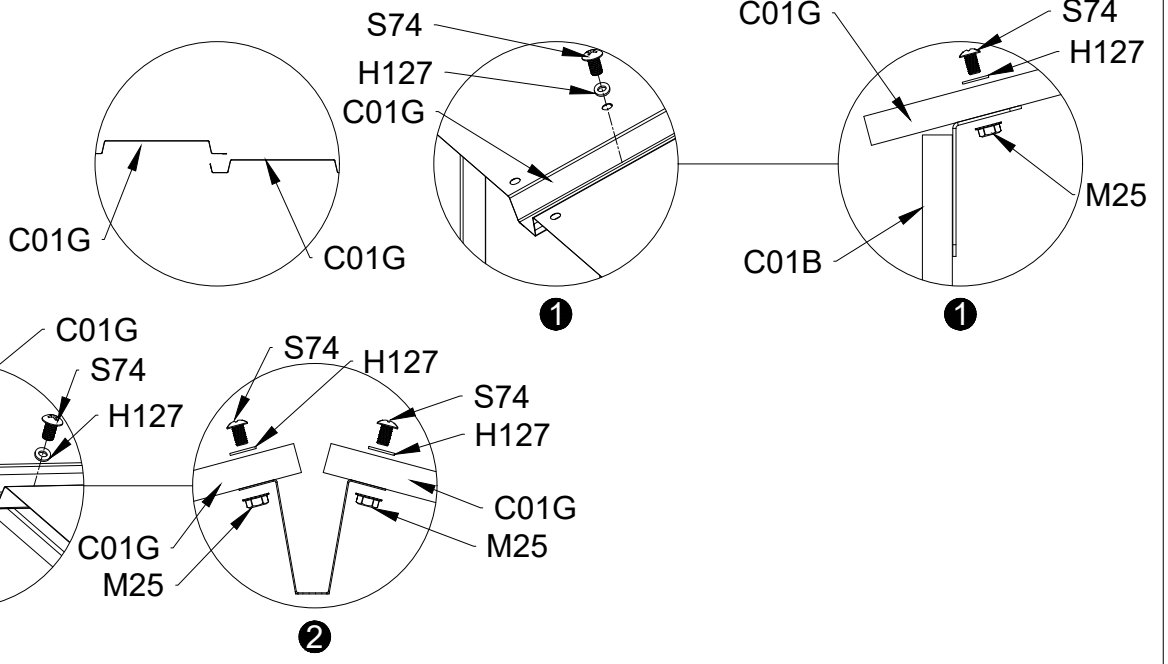
2

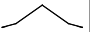



51

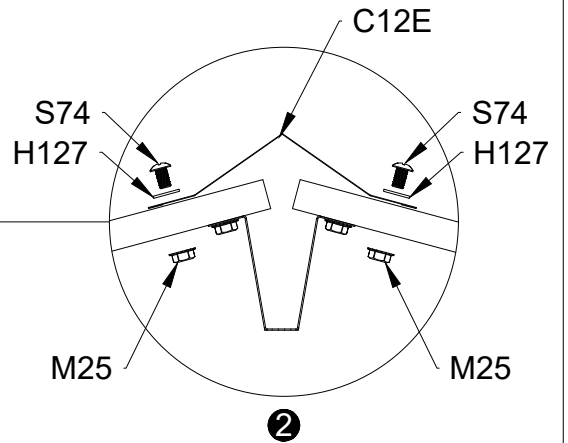
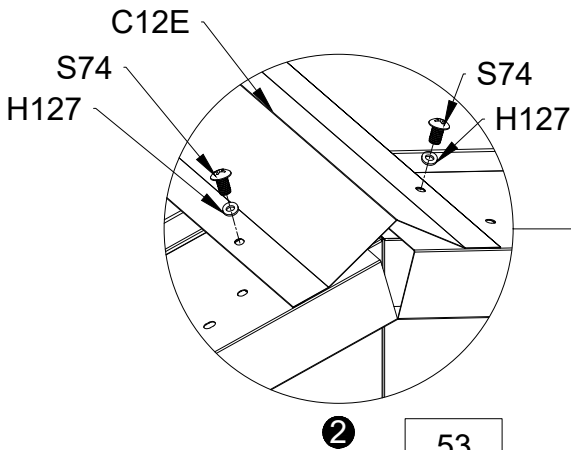
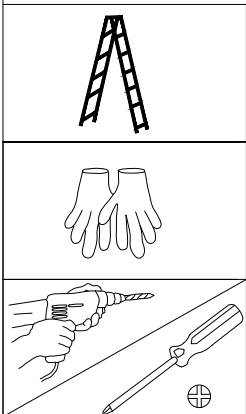
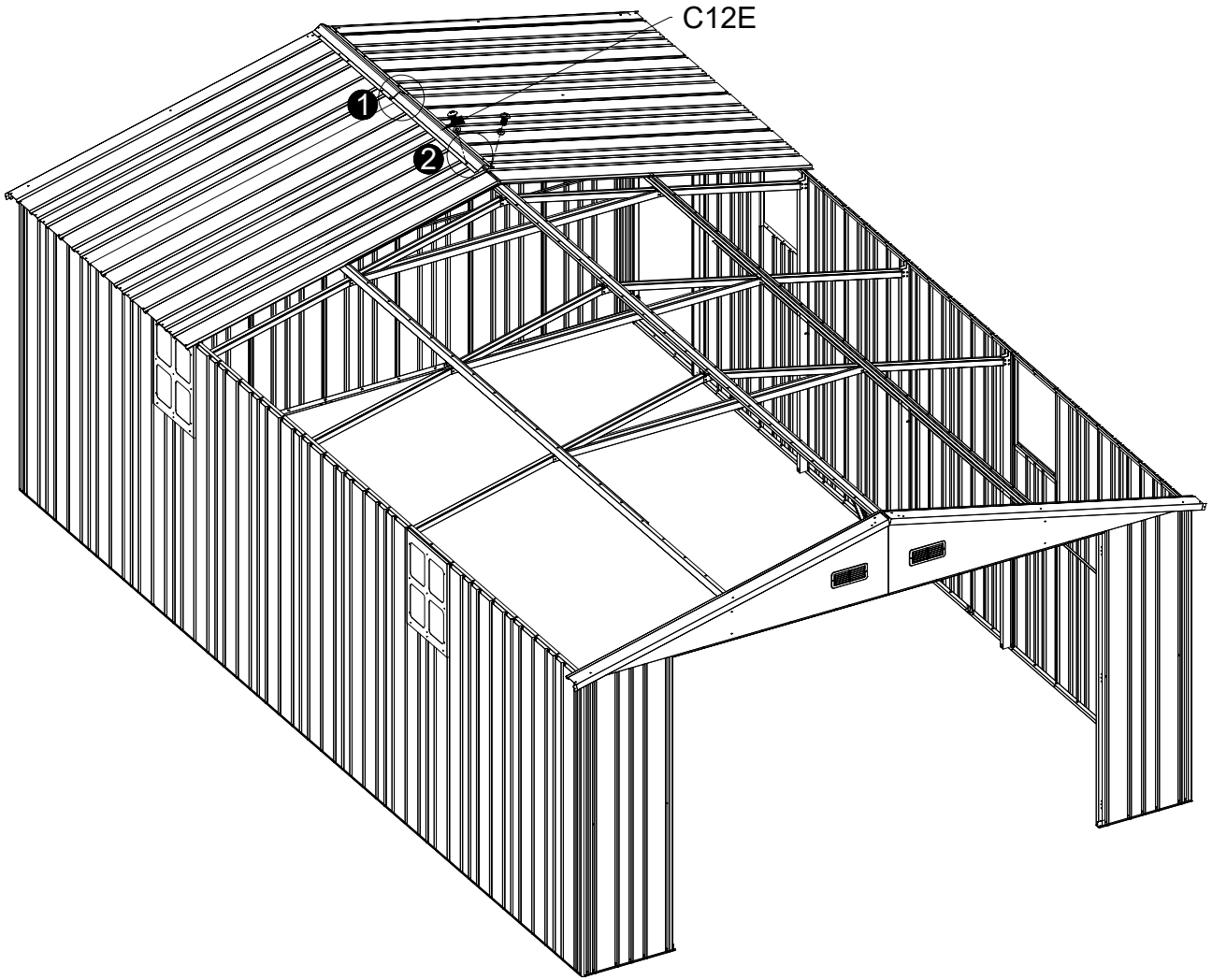
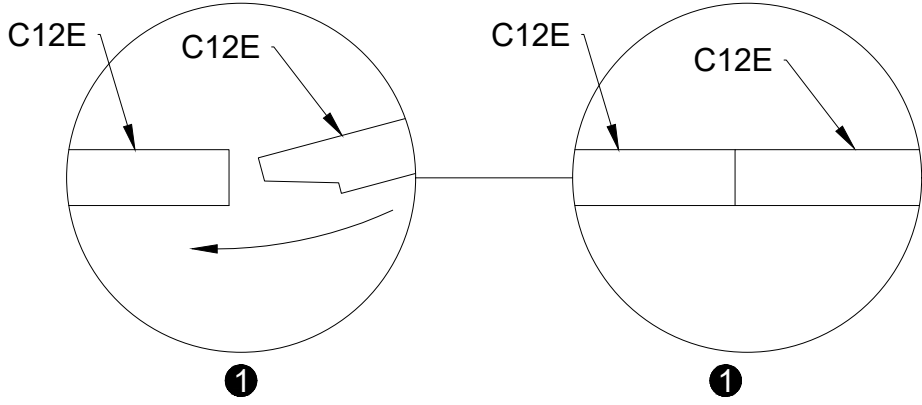


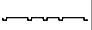





2

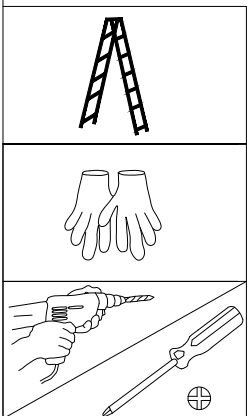
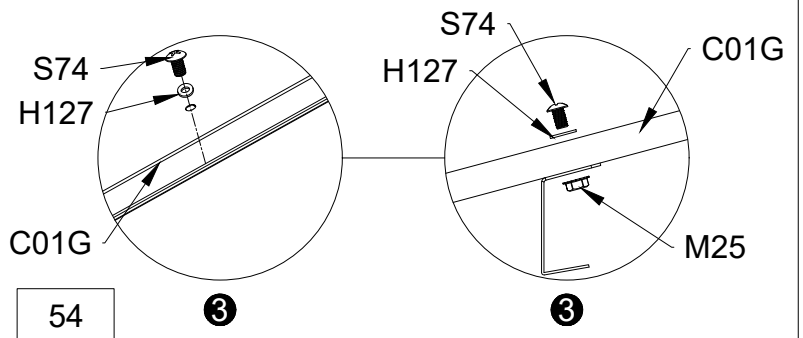
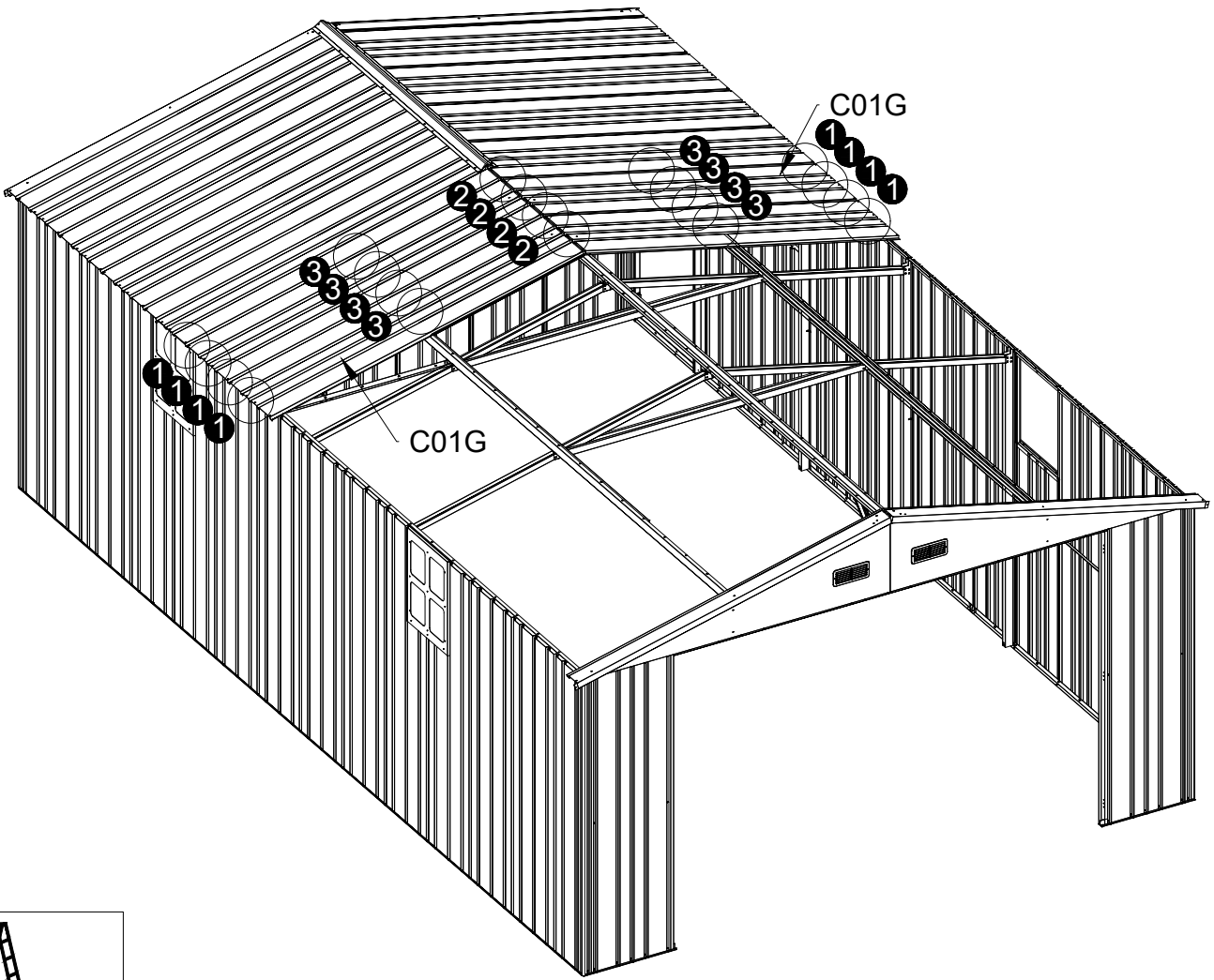
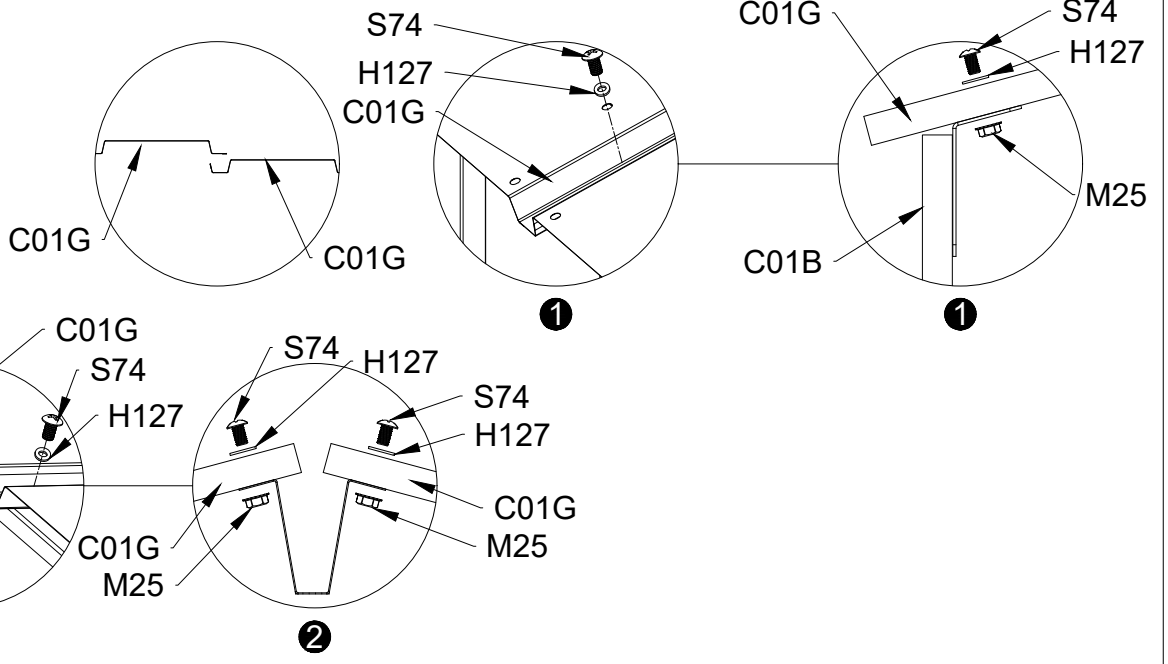
PART	NO	QTY
	C01G	4
	S74	24
	M4X8	
	M25	24
	M4	
	H127	24

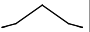





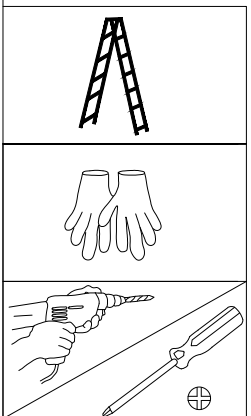
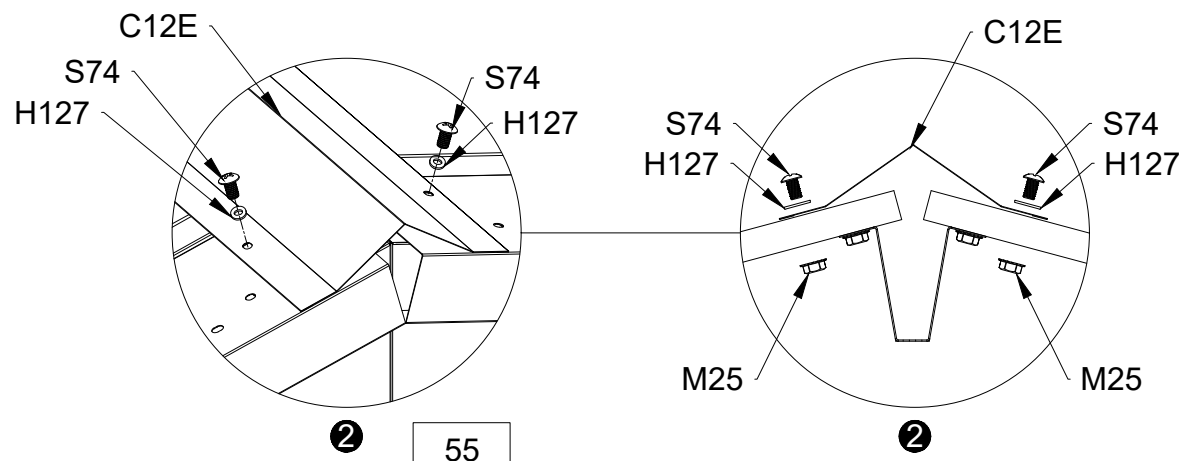
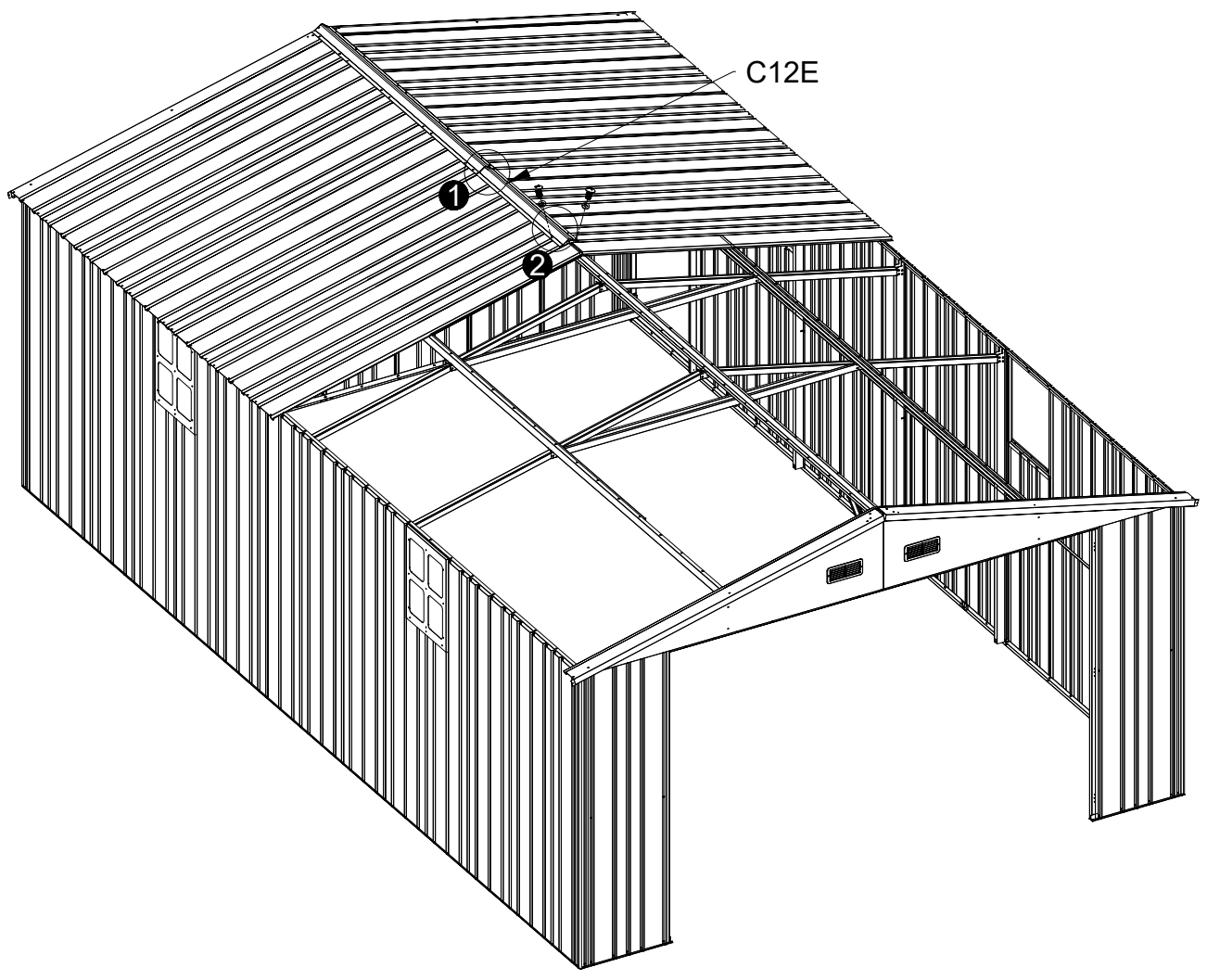
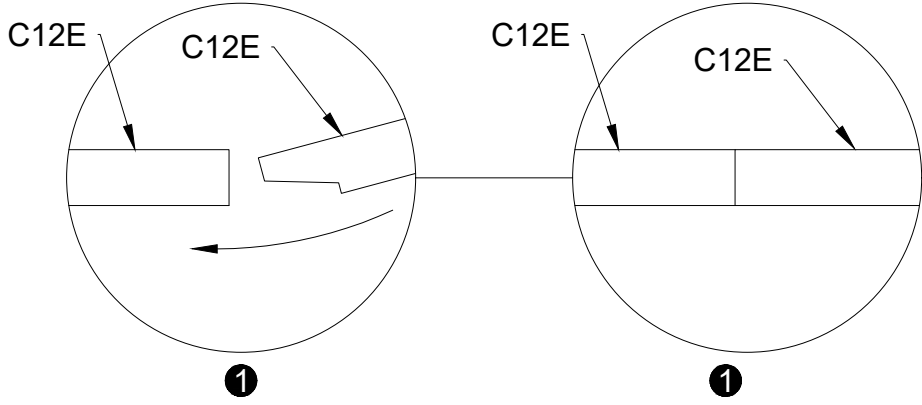
PART	NO	QTY
	C12E	1
	S74	2
	M4X8	
	M25	2
	M4	
	H127	2







PART	NO	QTY
	C01G	4
	S74	24
	M4X8	
	M25	24
	M4	
	H127	24

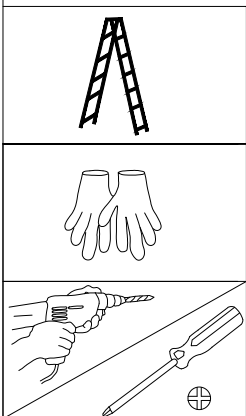
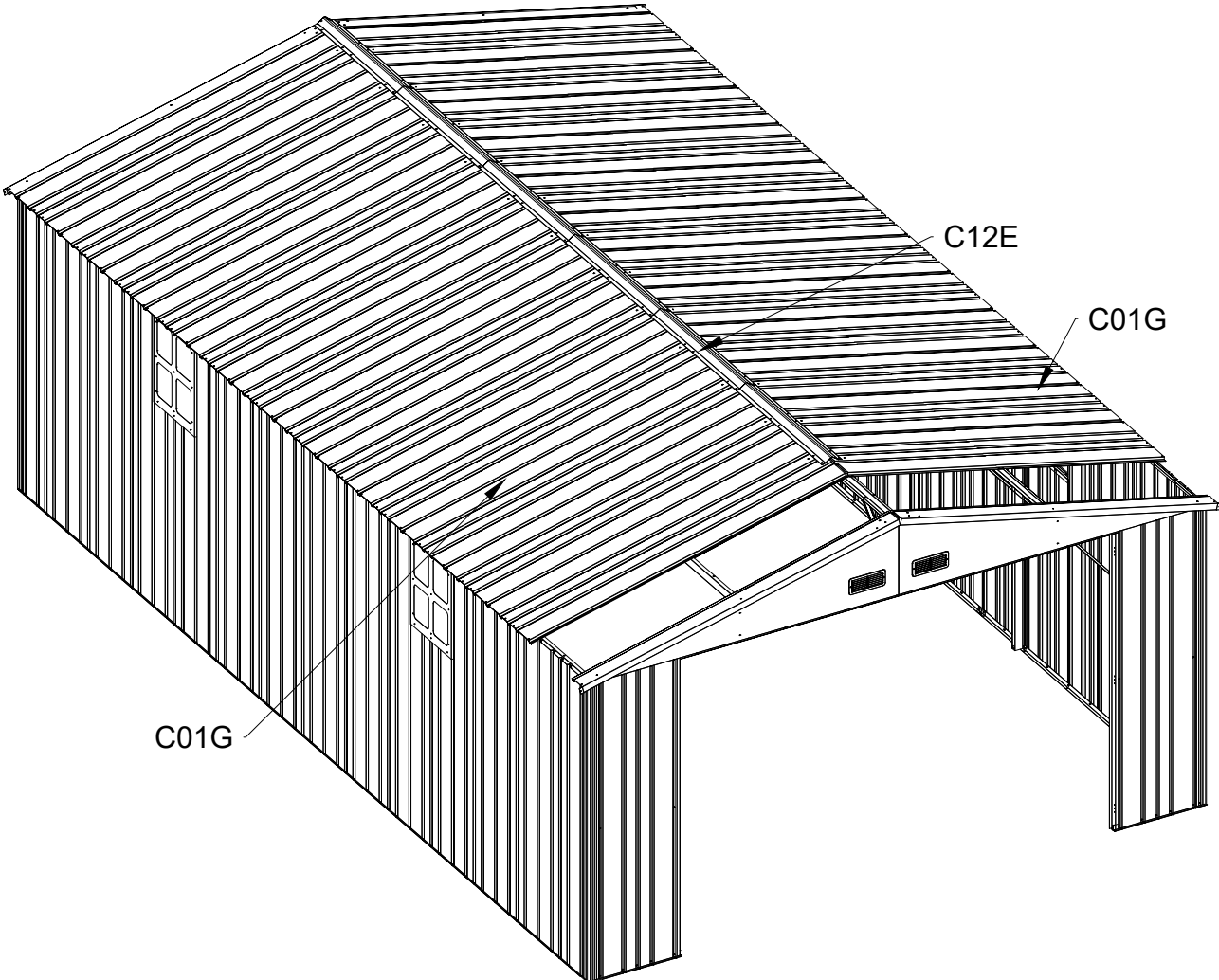






PART	NO	QTY
	C12E	1
	S74	2
	M4X8	
	M25	2
	M4	
	H127	2

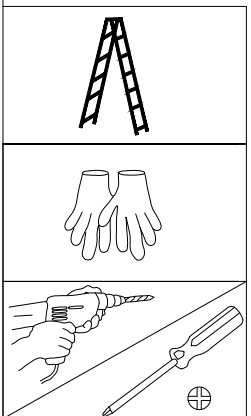
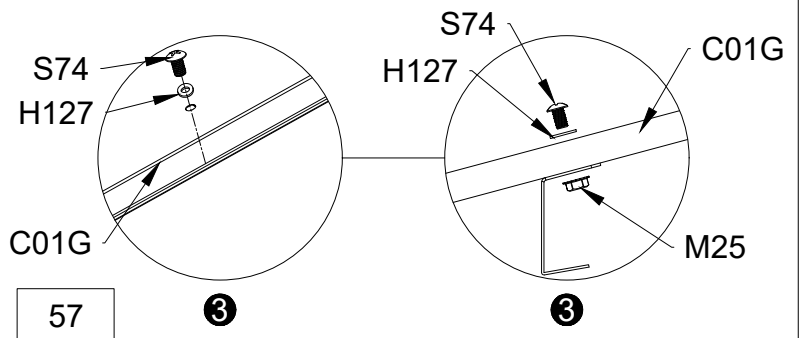
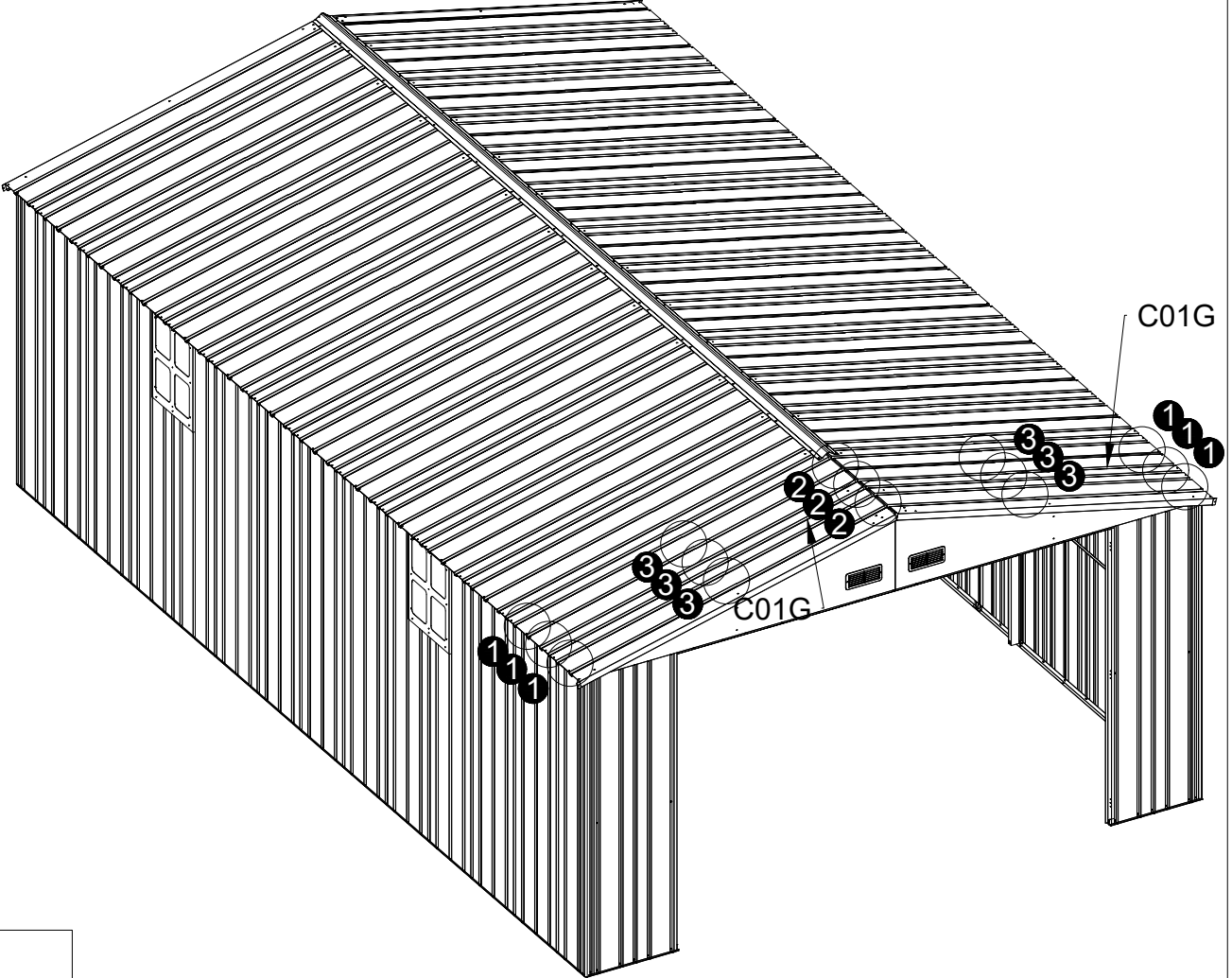
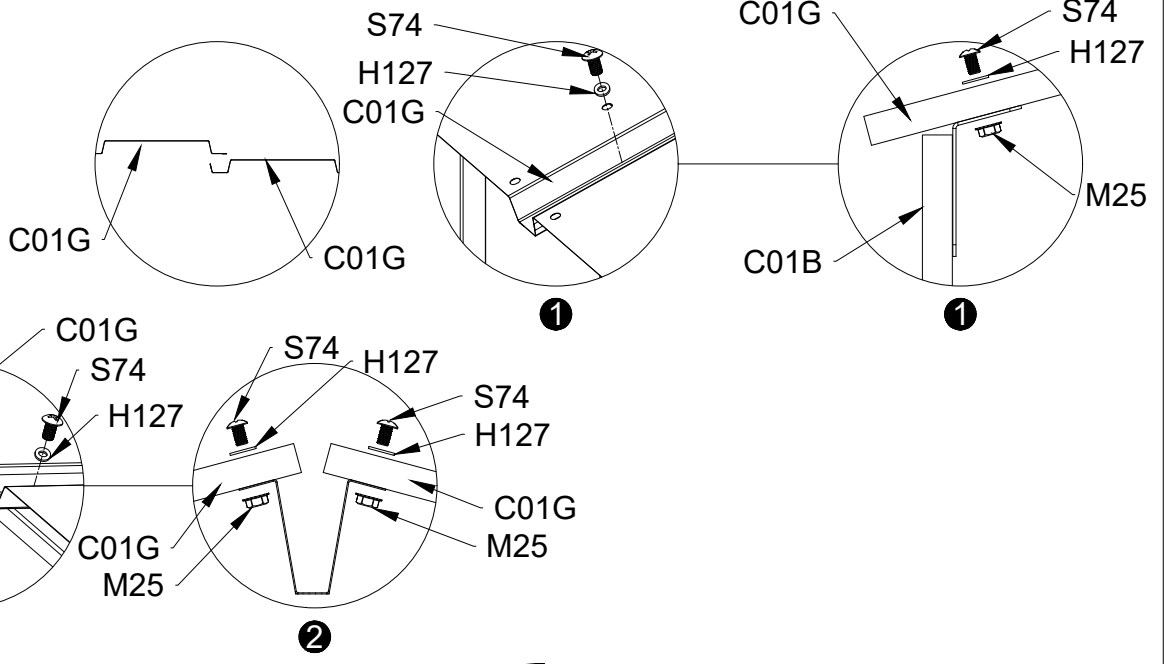


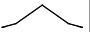




PART	NO	QTY
	C01G	12
	C12E	3
	S74 M4X8	78
	M25 M4	78
	H127	78

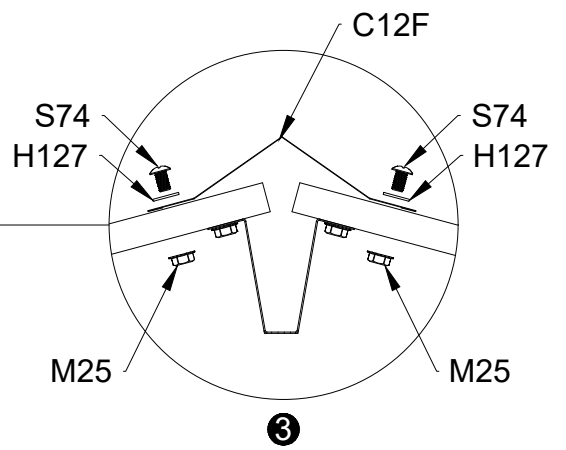
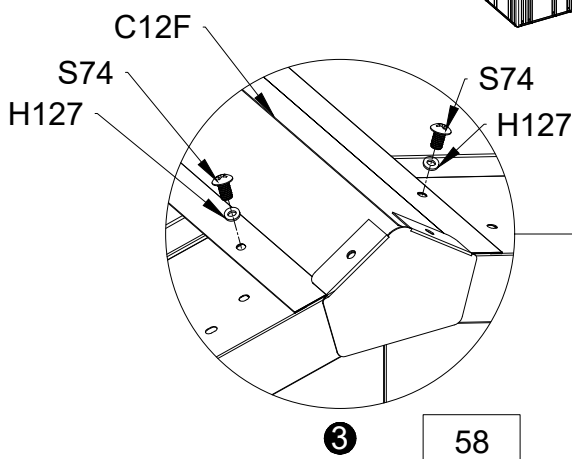
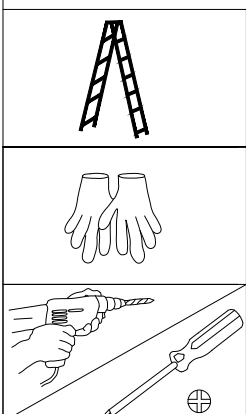
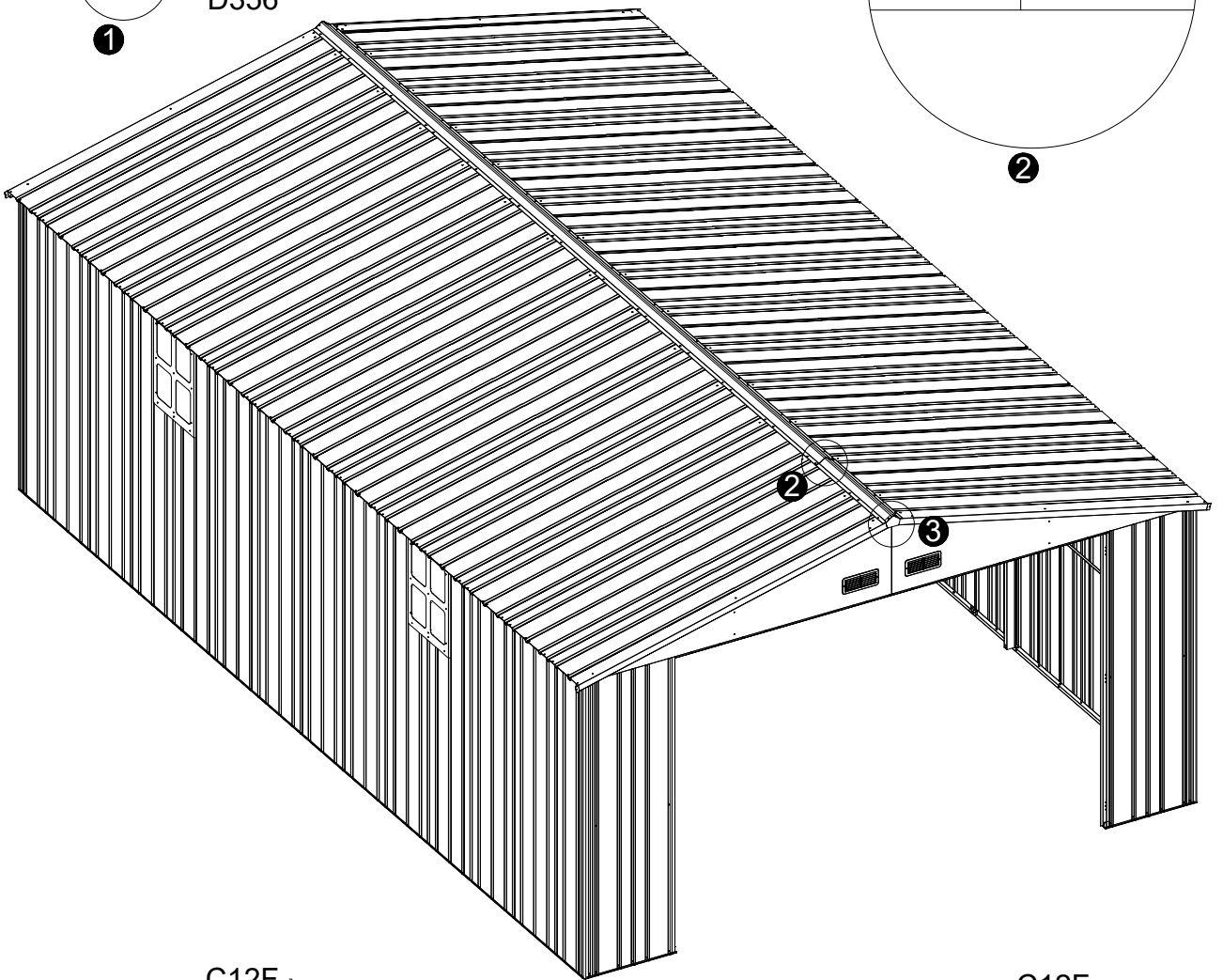
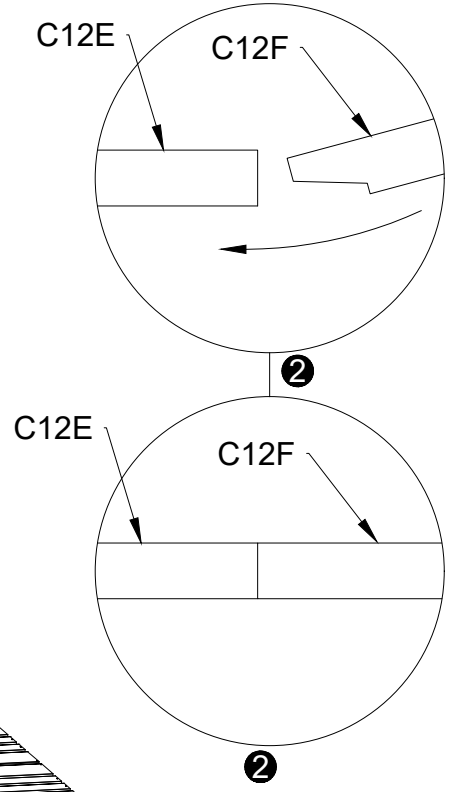
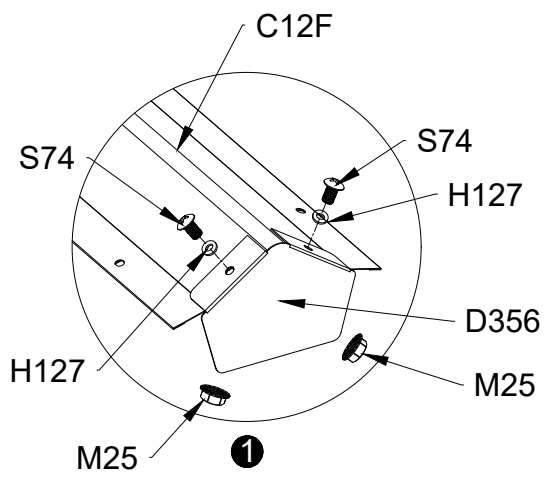
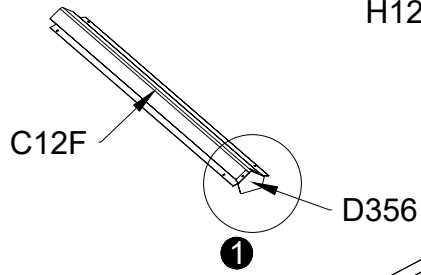
Refer to the previous two pages for the installation procedure of 12 pieces of C01G and 3 strips of C12E.



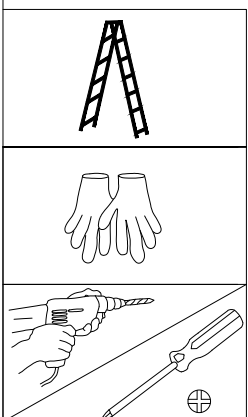
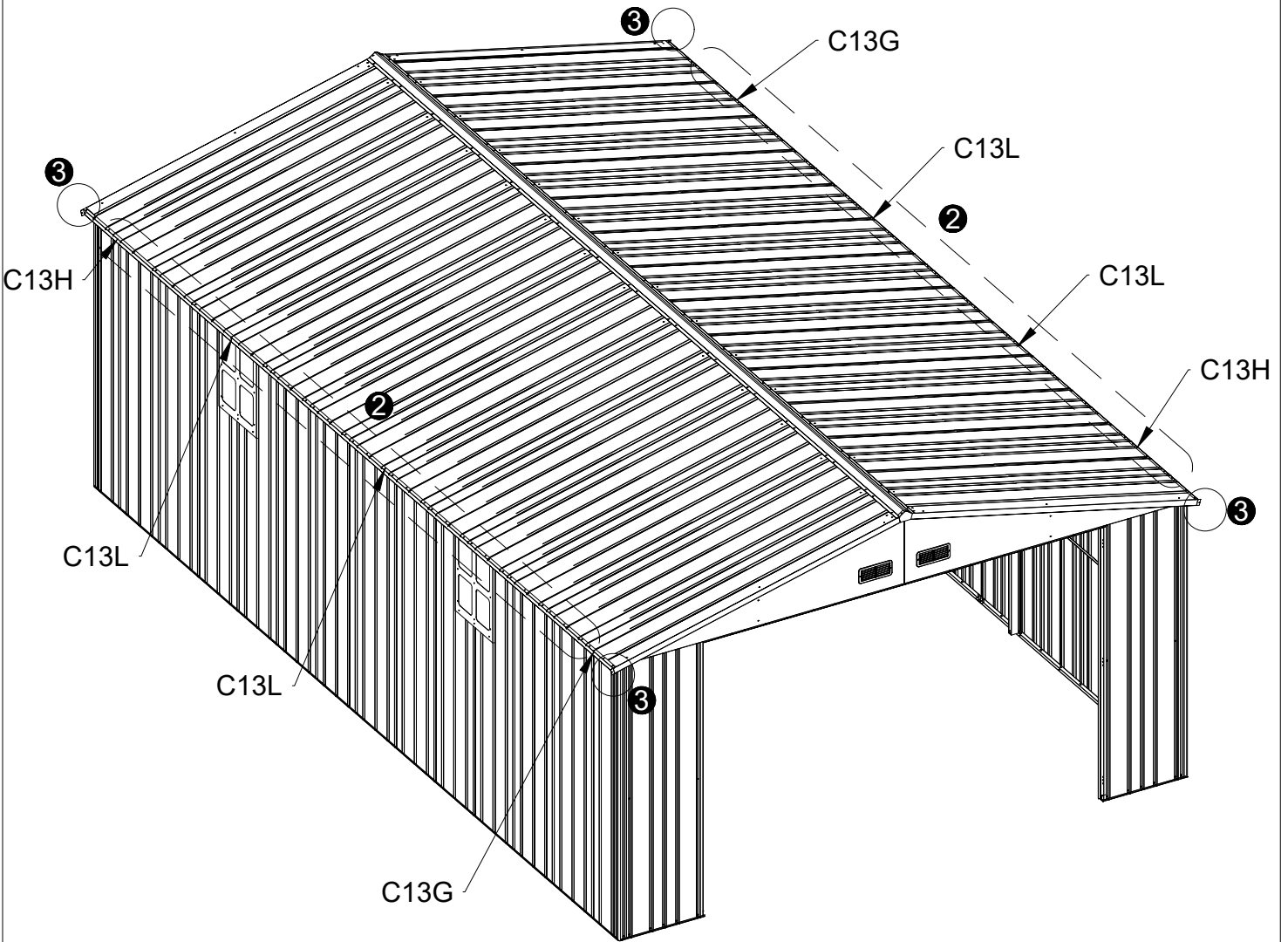
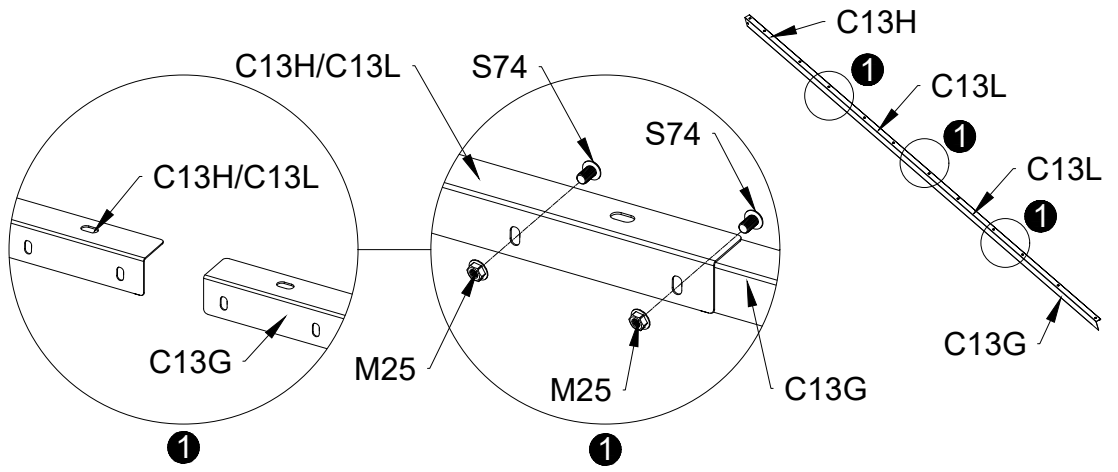
PART	NO	QTY
	C01G	2
	S74	18
	M4X8	
	M25	18
	M4	
	H127	18



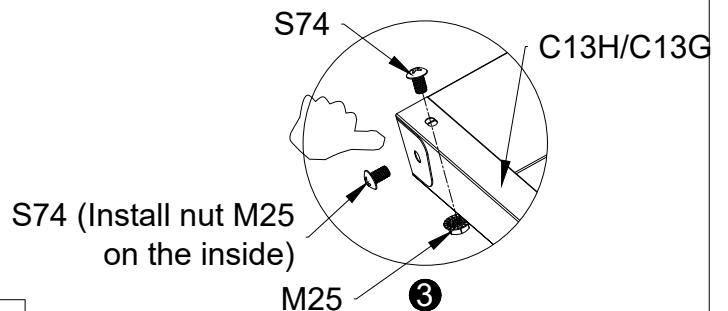
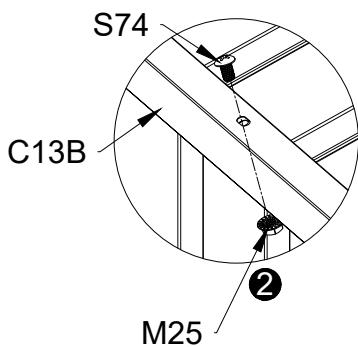
PART	NO	QTY
	C12F	1
	D356	1
	S74	4
	M4X8	
	M25	4
	M4	
	H127	4

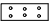




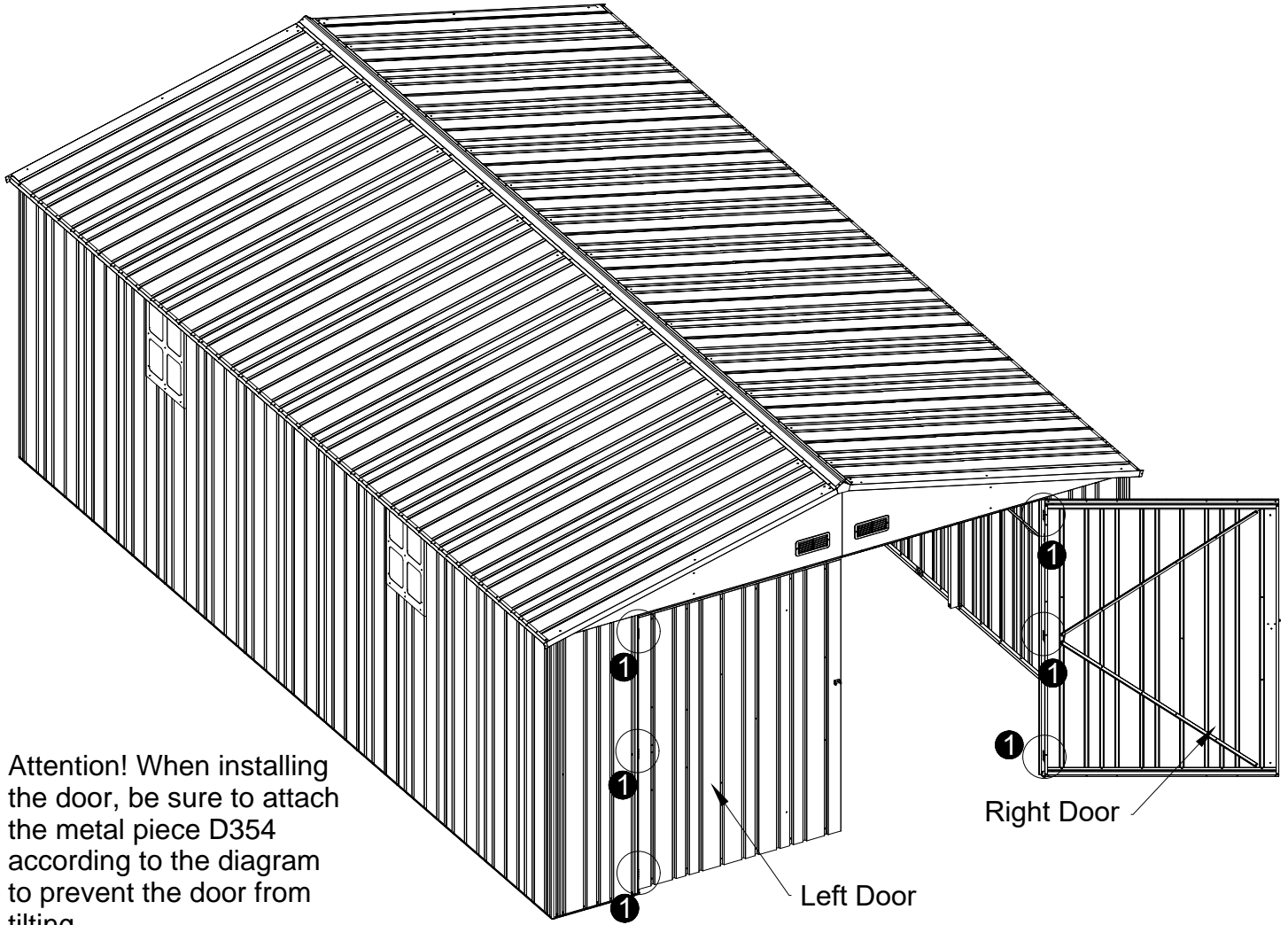
PART	NO	QTY
	C13H	2
	C13G	2
	C13L	4
	S74	76
	M4X8	
	M25	76
	M4	



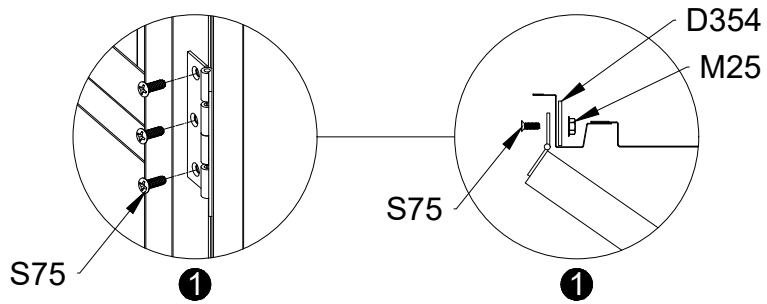
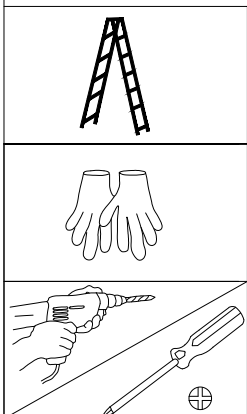
Fold the edges of C11G/C11H over and wrap them around C13H/C13G



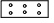


PART	NO	QTY
	D354	6
	S75 M4X10	18
	M25 M4	18

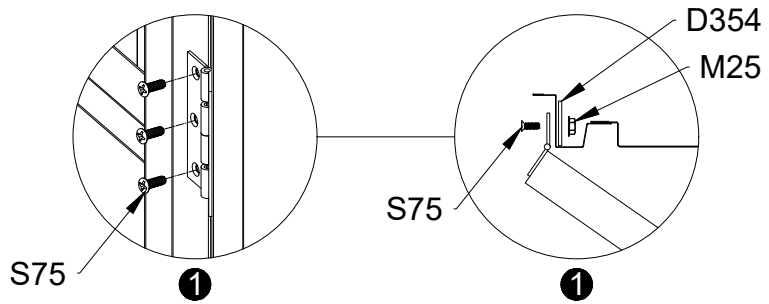
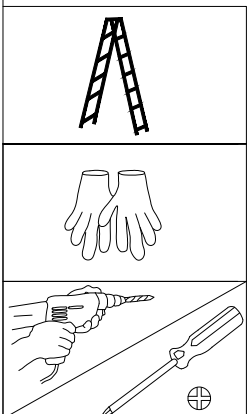
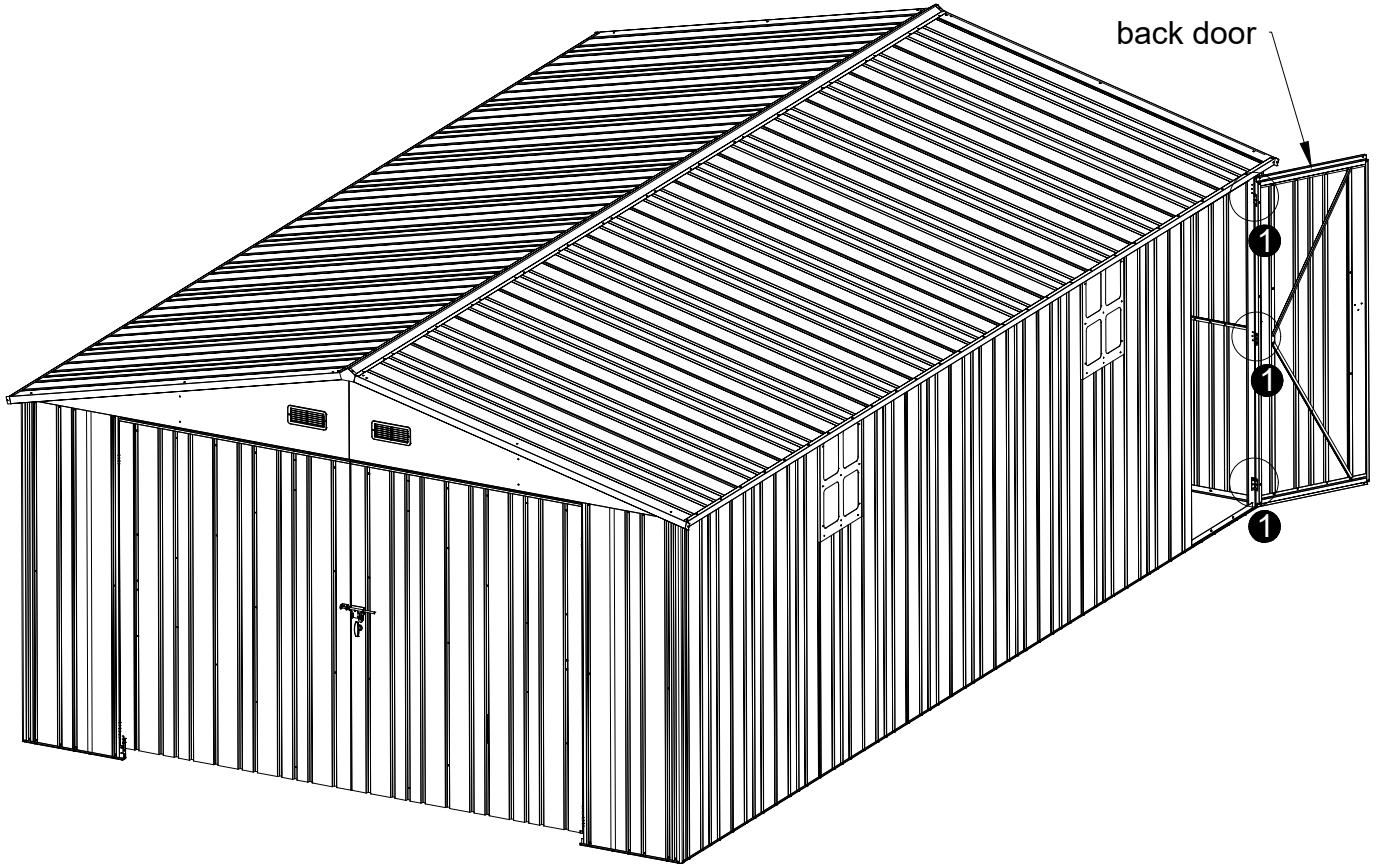


Attention! When installing the door, be sure to attach the metal piece D354 according to the diagram to prevent the door from tilting.






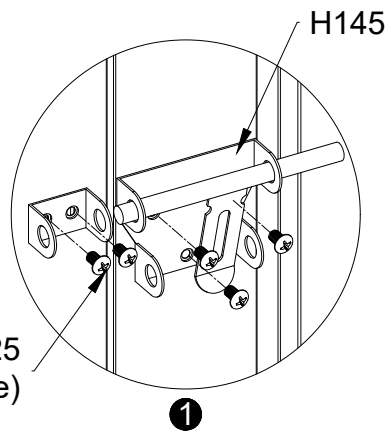
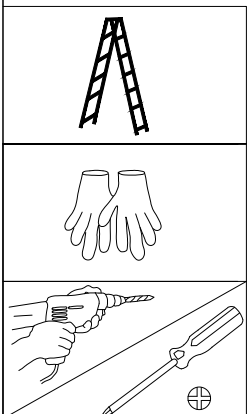
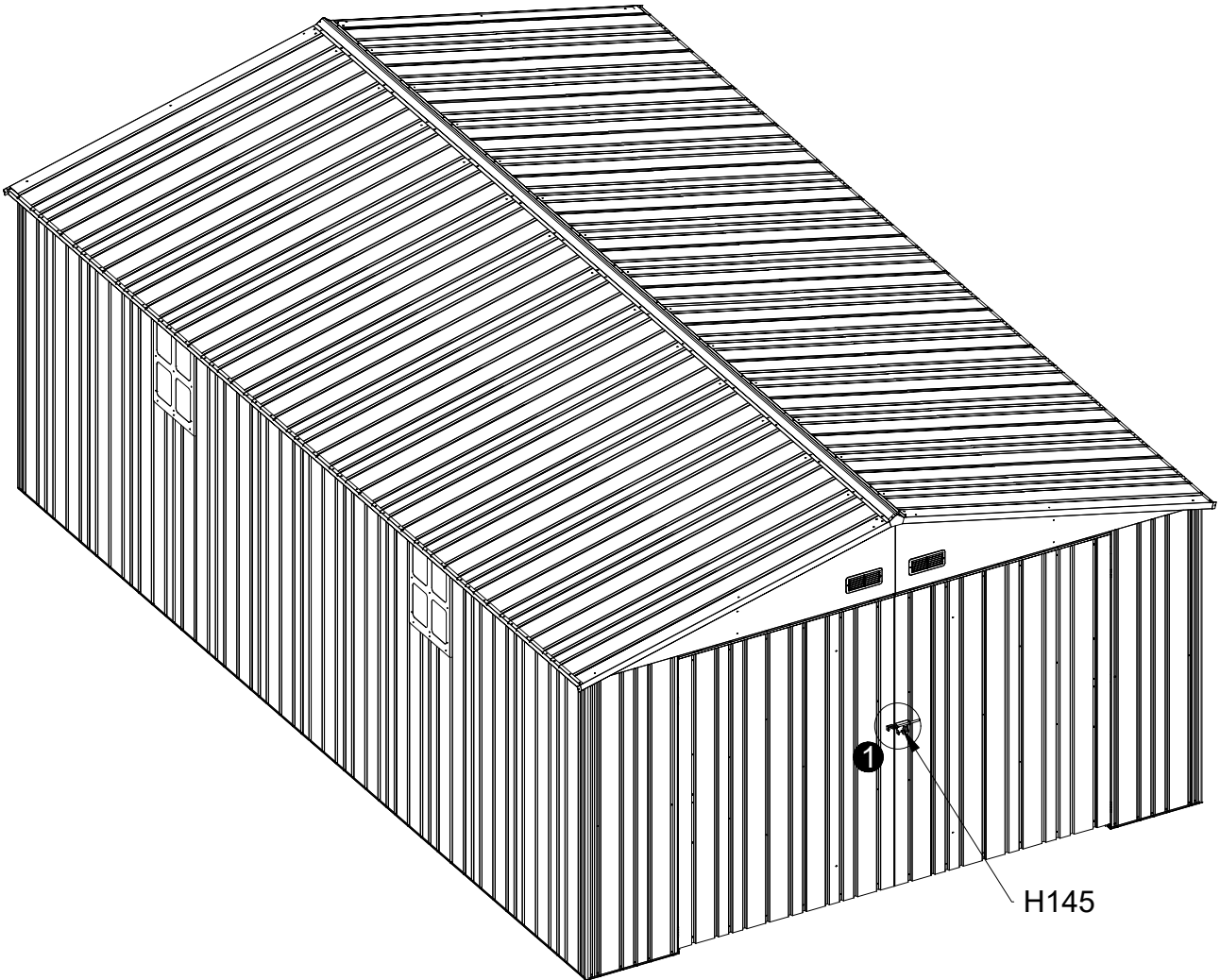
Top - down view

PART	NO	QTY
	D354	3
	S75	9
	M4X10	
	M25	9
	M4	



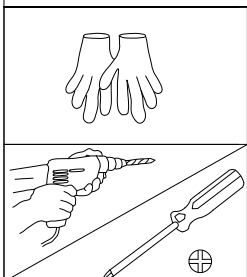
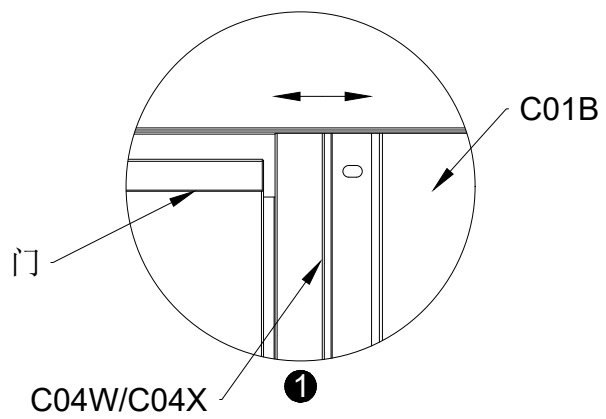
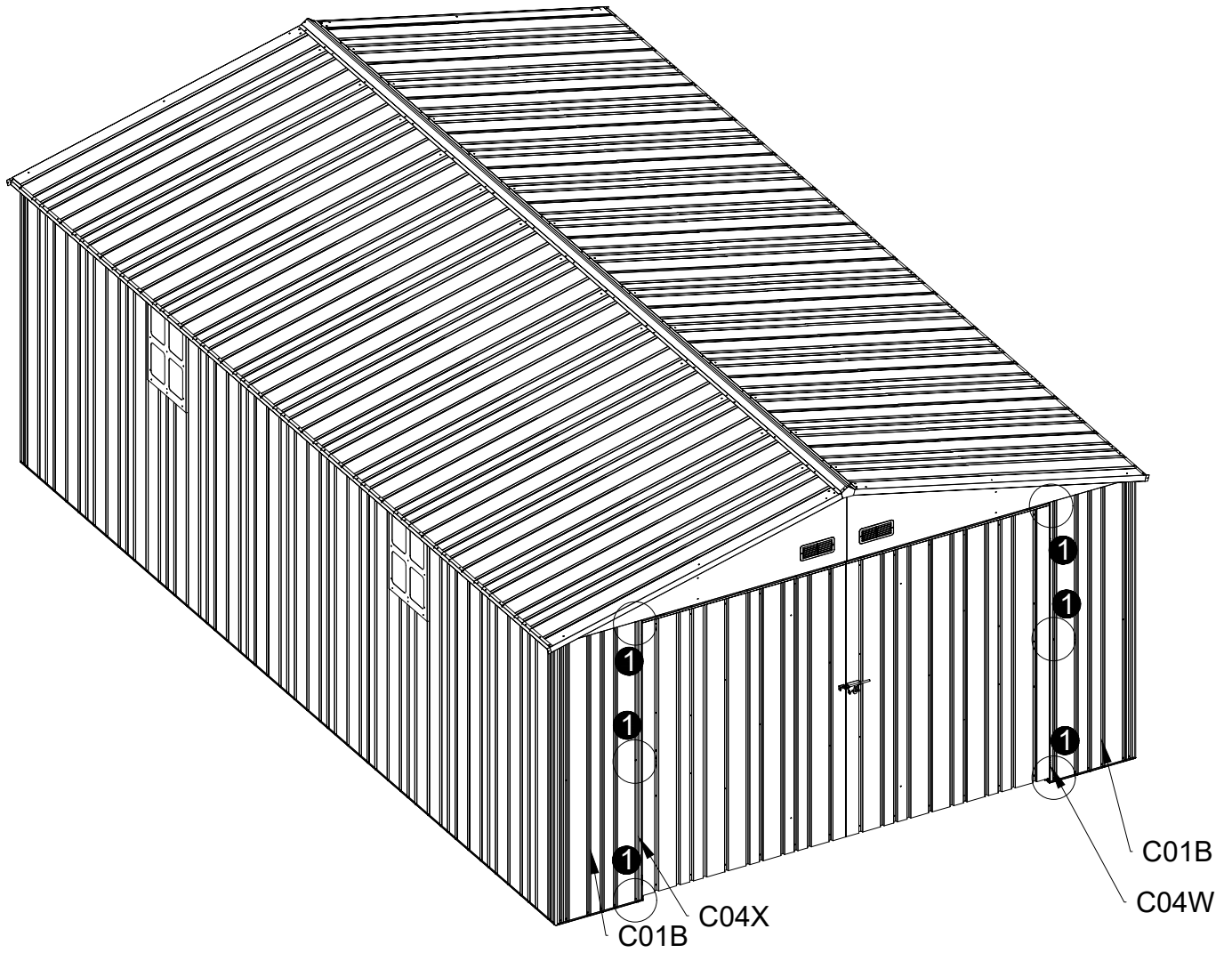
Top - down view

PART	NO	QTY
	H145	2
	S74 M4X8	10
	M25 M4	10



S74 (Install nut M25
on the inside)

The rear door is installed using the same
method.



You can adjust the parallelism of the door by moving C04W/C04X left or right using these six screws.