

Metal Garden Shed

OWNER'S MANUAL

Instructions for Assembly

E-mail address: support@wepatio.com

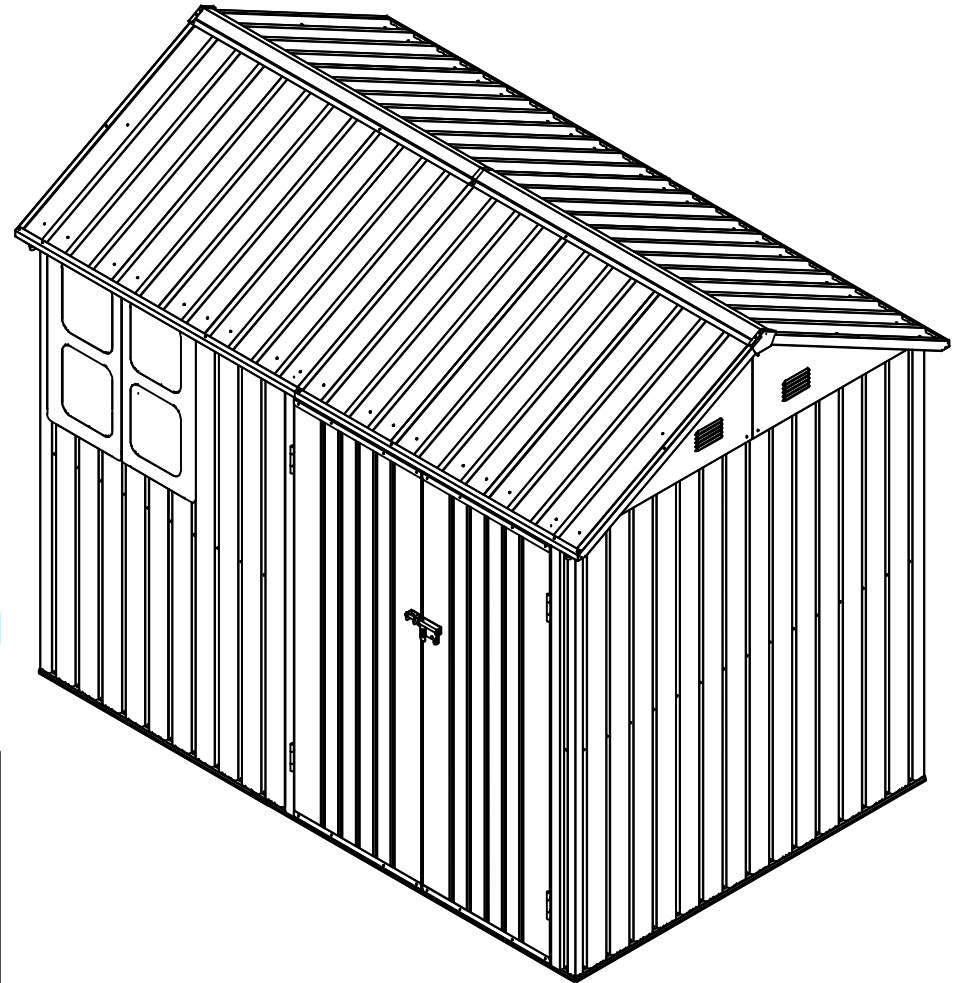
Tel: 901-347-2181

Requires two people and takes 4-5 hours for Installation.

Quick & Easy Assembly

Ridge Reinforced Walls

Available in Various Sizes



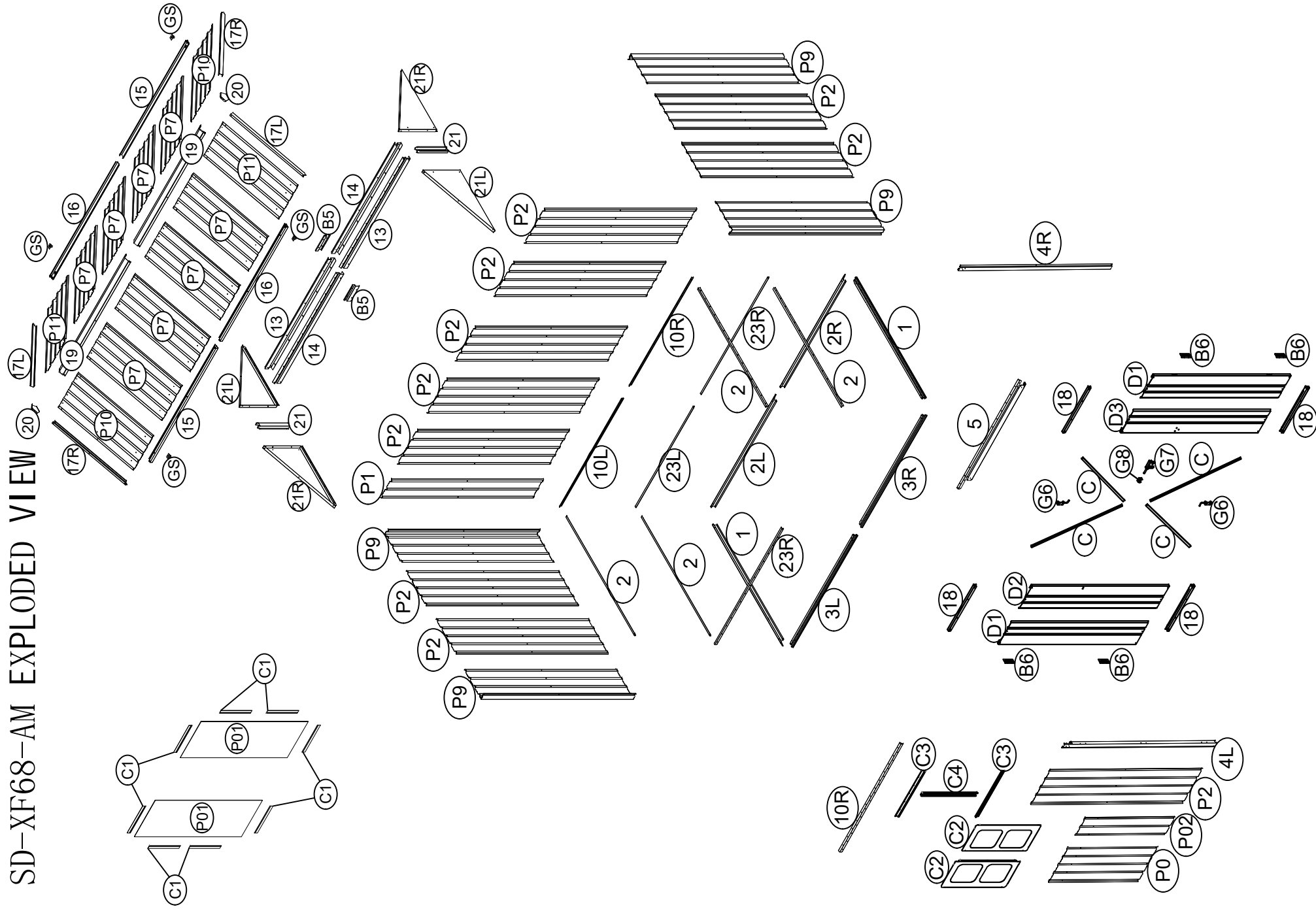
SD-XF68-AM

20230613

Contents

1.	Precautions for installation: -----	(4)
2.	Product explosion diagram:-----	(2)
3.	Parts list: -----	(5-6)
4.	Precautions for base: -----	(7)
5.	Base installation steps:-----	(9-11)
6.	Side plate installation steps:-----	(13-27)
7.	Window installation point:-----	(28-31)
8.	Installation steps on the top of the front and rear walls:-----	(33-41)
9.	Top installation steps:-----	(43-52)
10.	Door installation steps:-----	(54-63)

SD-XF68-AM EXPLODED VIEW



BEFORE YOU START

Owner's Manual

Prior to installation, it is important that you contact your local government authority to determine if building approval is required. Study and understand this owner's manual. Important information and helpful tips will make your construction easier and more enjoyable.

Assembly instructions

Instructions are supplied in this manual and contain all appropriate information for your building model. Review all instructions before you begin. During assembly, follow the step sequence carefully for correct results. Please be aware: **this unit takes two people about one full day to complete.**

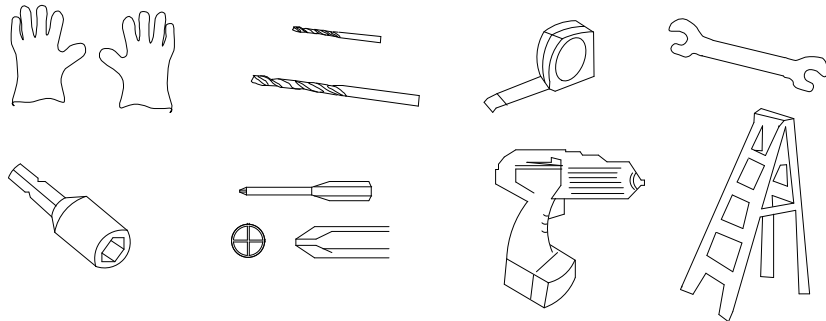
Parts

Check to be sure that you have all the necessary parts for the building.

Separate contents of the carton by the part number while reviewing parts list.

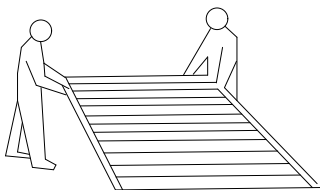
Familiarize yourself with the hardware and fasteners for easier use during construction. These are packaged within the carton. Note that extra fasteners have been supplied for your convenience.

TOOLS MAY REQUIRED



Use heavy duty gloves when handling steel sheets and flashing

PLAN AHEAD



It requires two people a full day to complete installation

Watch the weather:

Please be sure the day you select for installation is dry and calm.

DO NOT attempt to assemble your shed in windy weather because of risk of damage to panels, or personal injury. Be careful of wet or muddy ground.

Teamwork:

Whenever possible, two or more people should work together to assemble the building. One person can position parts or panels while the other is able to handle the fasteners and the tools.

PLAN AHEAD

Site Selection

- Avoid overhanging trees as much as possible as leaves will make regular cleaning necessary and broken branches are a potential hazard.
- Small trees, bushes or fences nearby can be helpful, acting as a wind break.

Site Preparation

The site must be prepared so that the base of the shed is level all round and checking with a spirit level is required.

The base can be constructed by treated timber or concrete, in order to stop the moisture getting into the shed. **The shed is not designed to be built onto lawn directly.** Also the ground will get muddy during rainy days.

If a concrete pad is made, it is important that this slopes towards the edges to prevent water ingress.


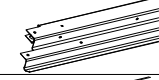
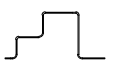
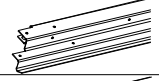
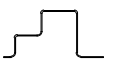
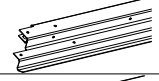

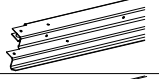
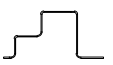
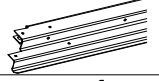







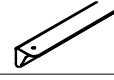

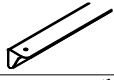

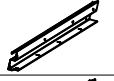

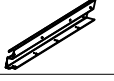





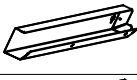
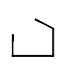

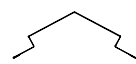

Time must be allowed for any concrete or cement to dry before building the shed on top.

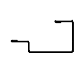
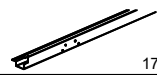
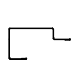
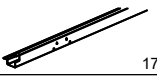
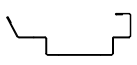

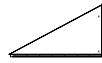
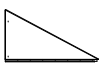

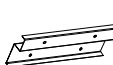

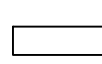

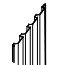


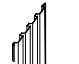



Bases can also be constructed from bricks, blocks, or mounted on a concrete pad.


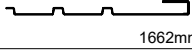






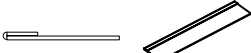
The bricks or blocks should be cemented onto firm and level concrete footings and the greenhouse frame drilled and screwed to the base.


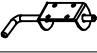

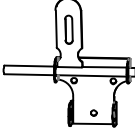
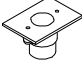





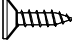

IMPORTANT NOTES:

- Find someone to help you: it is much easier with someone to hold parts, pass tools ect. Also some steps require two people to lift structures together. This is not very heavy work so would suit most able-bodied people.
- Allow plenty of time: rushing often causes errors and the re-doing of incorrect assemblies. If you have never built a shed before, it can take most of a day to carefully complete the construction.
- Have the right tools to hand.
- Safety clothing as recommended in the 'Tools' section.
- Ideally lay out the parts and check that all are present before commencing construction. Lay on cloths or plastic sheets if there is any risk of scratching the parts.
- Tighten all nuts carefully, being sure not to miss any. Check the frame is square and using a spirit level to check that it is upright.

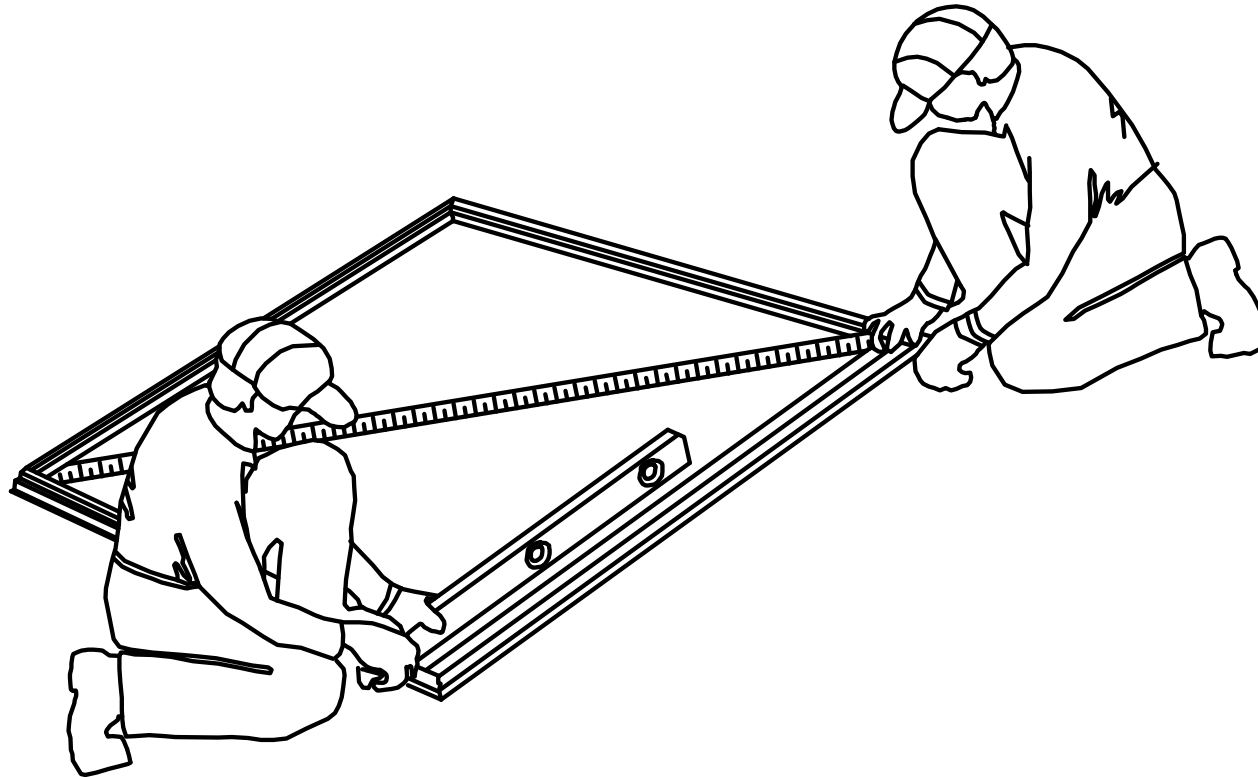
NO.	PART	Qty.
1	  1608mm	2
2L	  1276mm	1
2R	  1276mm	1
3L	  1062mm	1
3R	  1490mm	1
2	  1574mm	4
10L	  1436mm	1
10R	  1008mm	2
23L	  1332mm	1
23R	  1118mm	2
13	  1239mm	2
14	  1239mm	2
17L	  935mm	2
17R	  935mm	2
15	  1317mm	2
16	  1317mm	2
19	  1302mm	2

NO.	PART	Qty.
4L	  1750mm	1
4R	  1750mm	1
5	  1436mm	1
21L		2
21R		2
21	 359mm	2
B5	 200mm	2
20		2
P01	 653mm	2
P0	 1030mm	1
P02	 1030mm	1
P2	 1750mm	10
P1	 1750mm	1
P9	 1750mm	4
P7	 950mm	8
P10	 950mm	2
P11	 950mm	2






NO.	PART	Qty.
D1	 1662mm	2
D2	 1662mm	1
D3	 1662mm	1
C	 973mm	4
18	 586mm	4
C2	 739mm	2
C4	 627mm	1
C3	 601mm	2
C1	 200mm	8

NO.	PART	Qty.
B6		4
G6		2
G8		1
G7		1
GS		4
S2		240
S3		360
F1		450
F2		30
F3		16
F4		16
F5		5

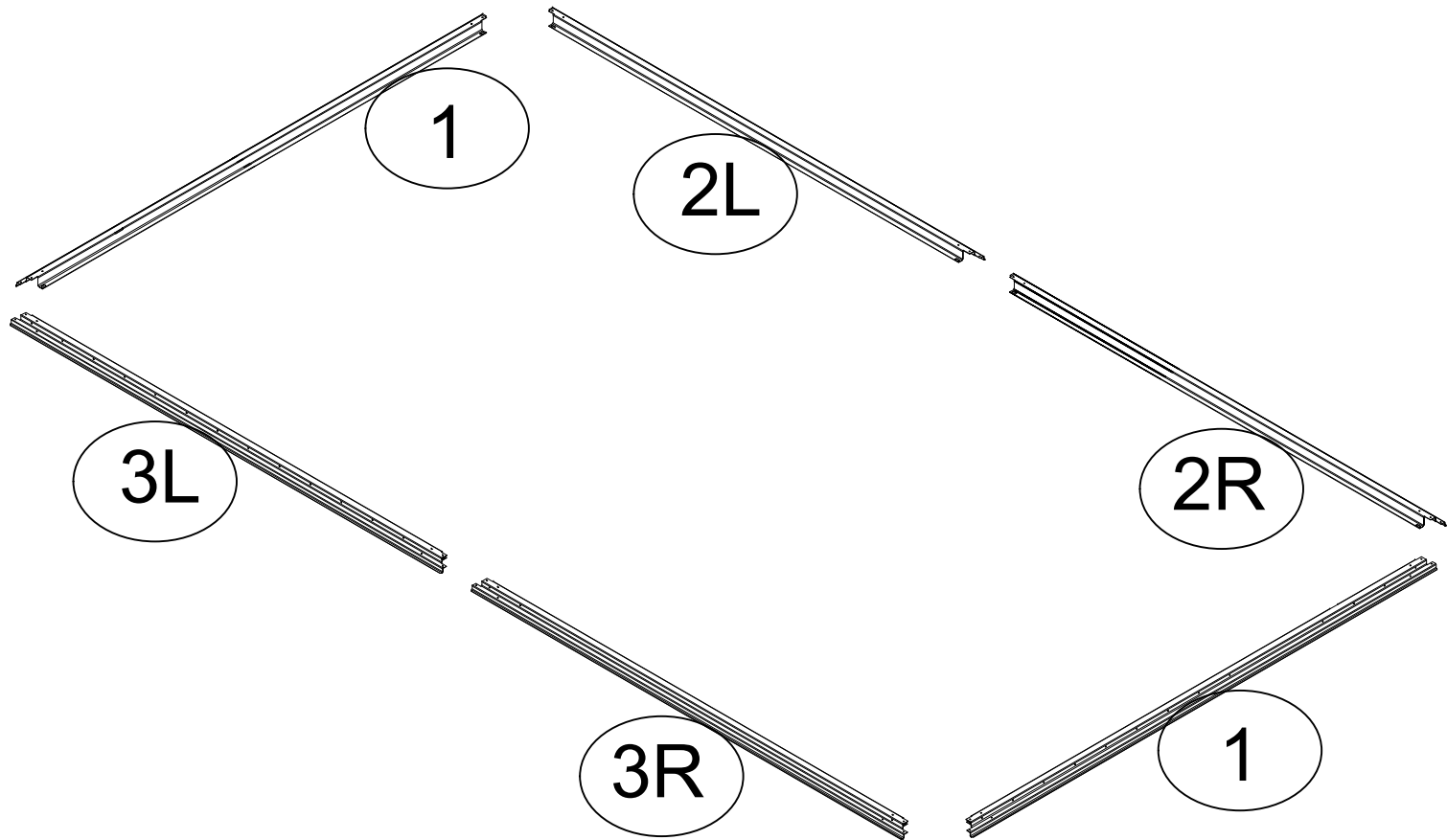
1、 When diagonal measurements are equal, the frame is square.

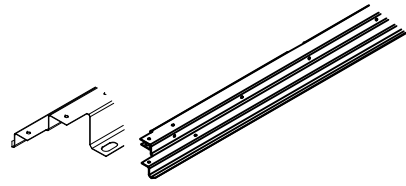


2、 The Floor Frame must be BOTH square AND level or the holes will not line up properly.

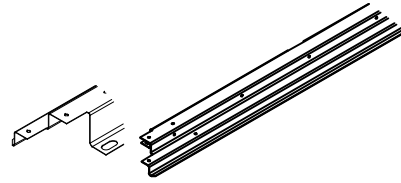
NO.	PART	Qty.	NO.	PART	Qty.
1		2	2L		1
3L		1	2R		1
3R		1			

Base Exploded View

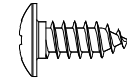




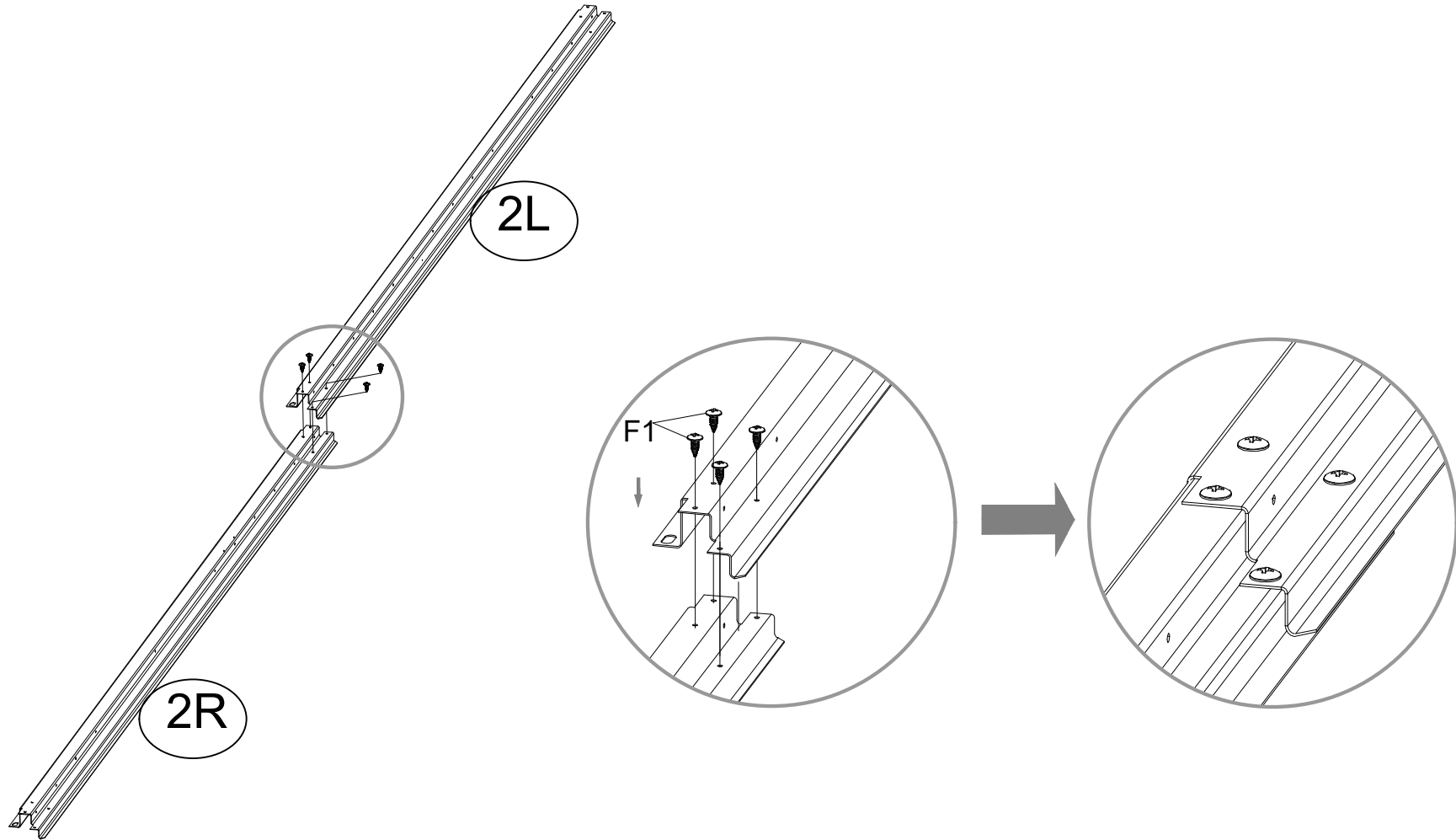
2L x1

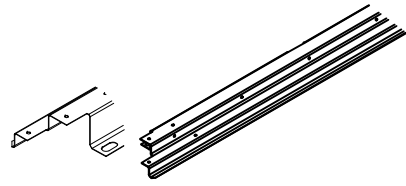


2R x1

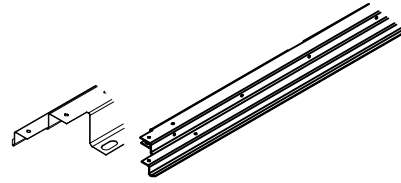


F1 x4

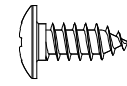




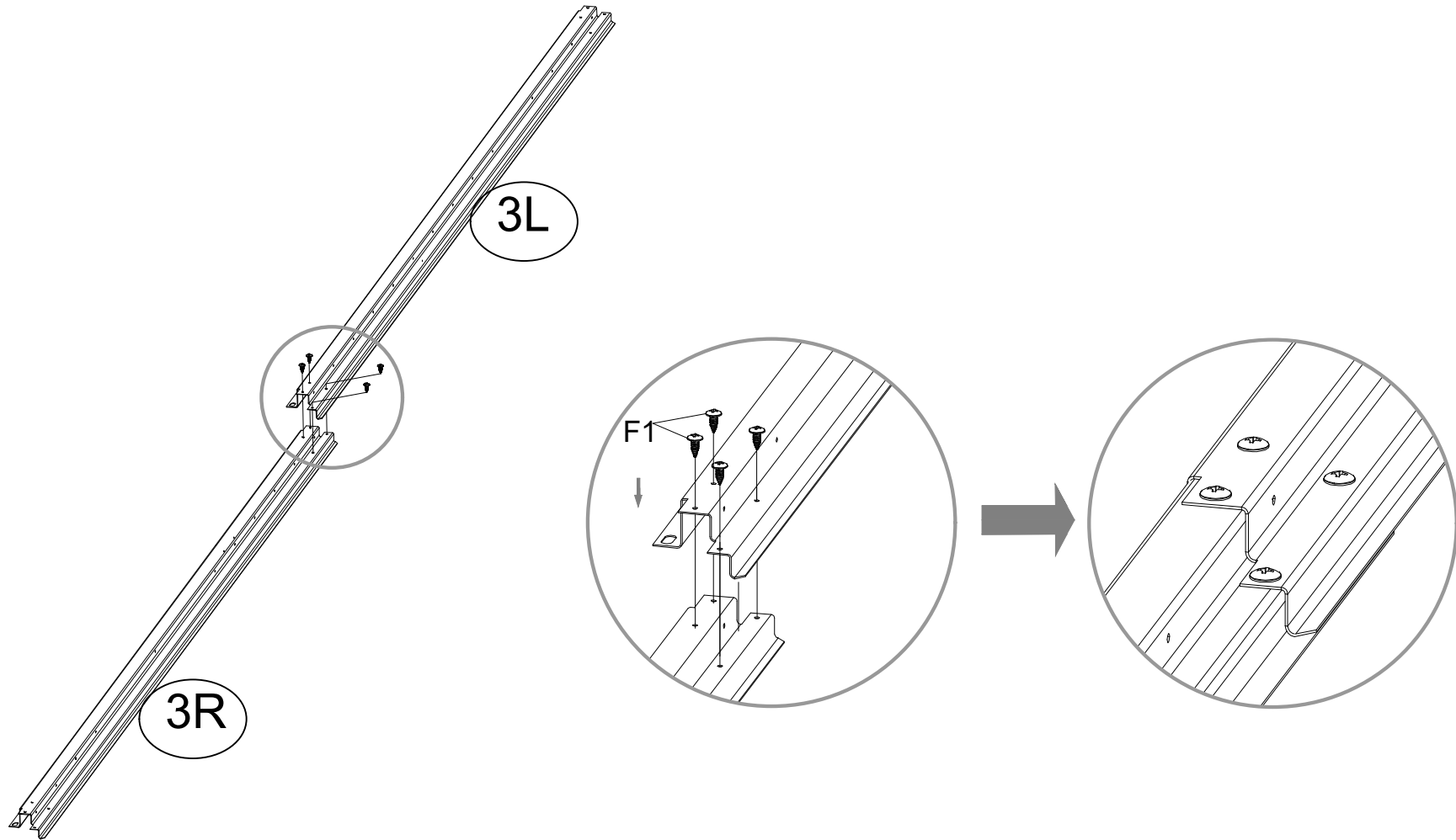
3L x1

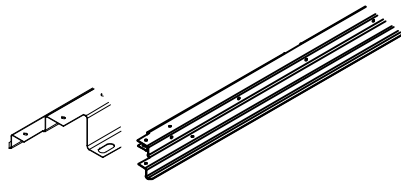


3R x1

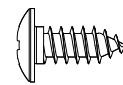


F1 x4

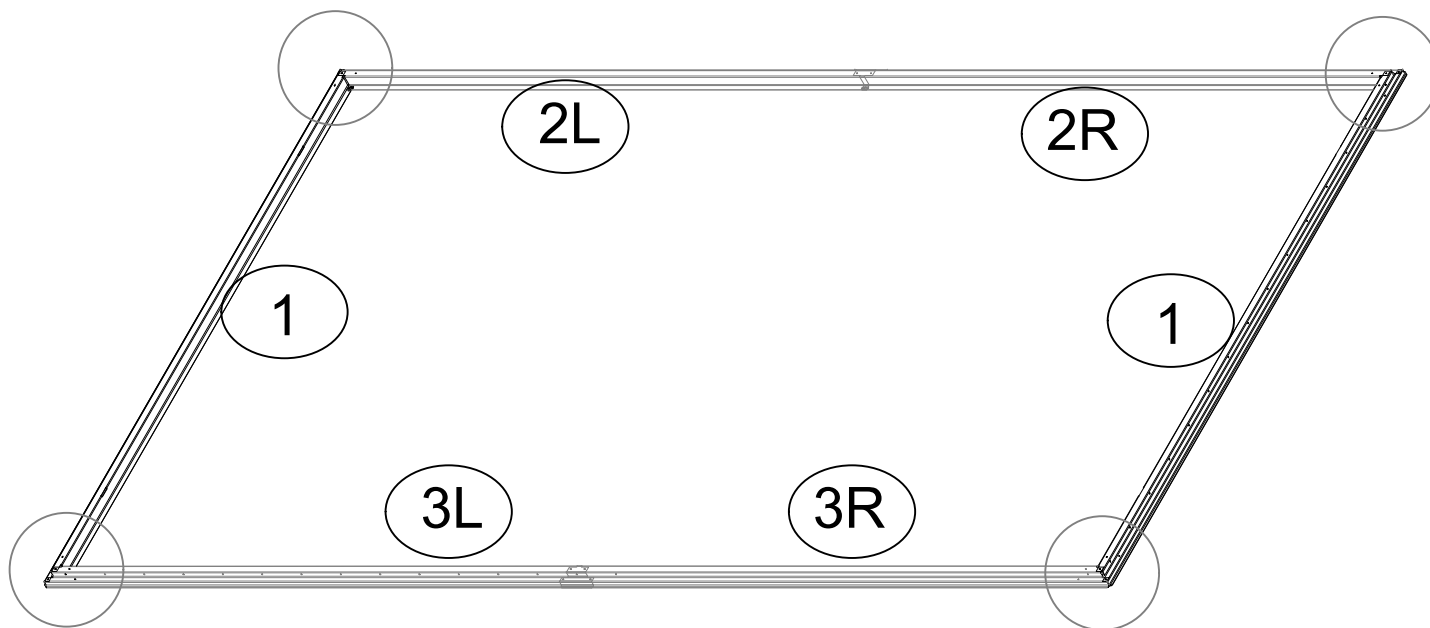
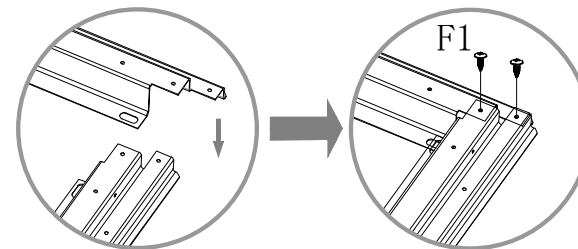
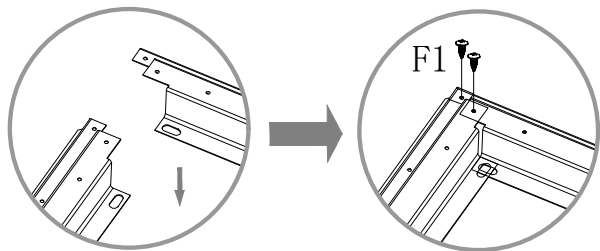






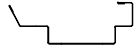






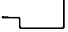



1 x2

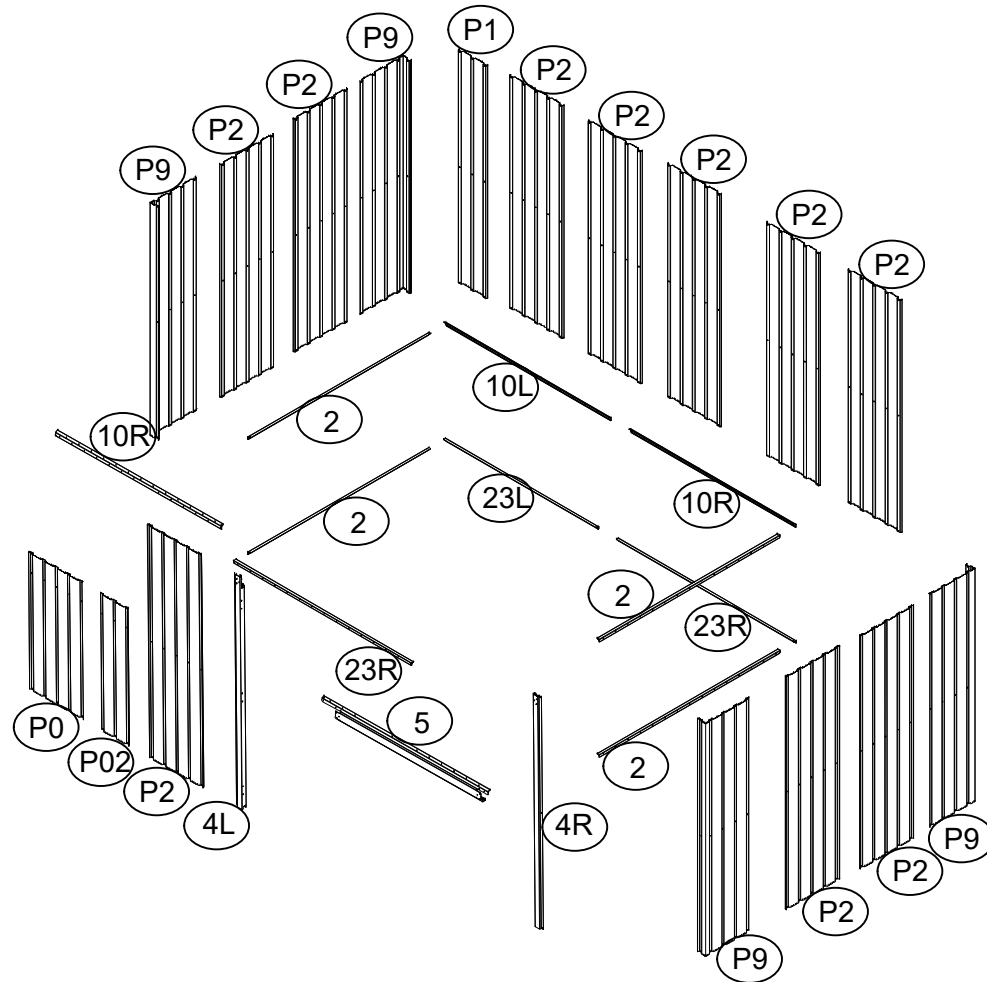


F1 x8



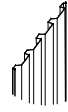
NO.	PART	Qty.	NO.	PART	Qty.	NO.	PART	Qty.	NO.	PART	Qty.	NO.	PART	Qty.
P1		1	P0		1	10R		2	23L		1	5		1
P2		10	P02		1	10L		1	23R		2			
P9		4	2		4	4L		1	4R		1			

Wall Exploded View

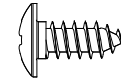
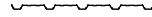




P9 x1



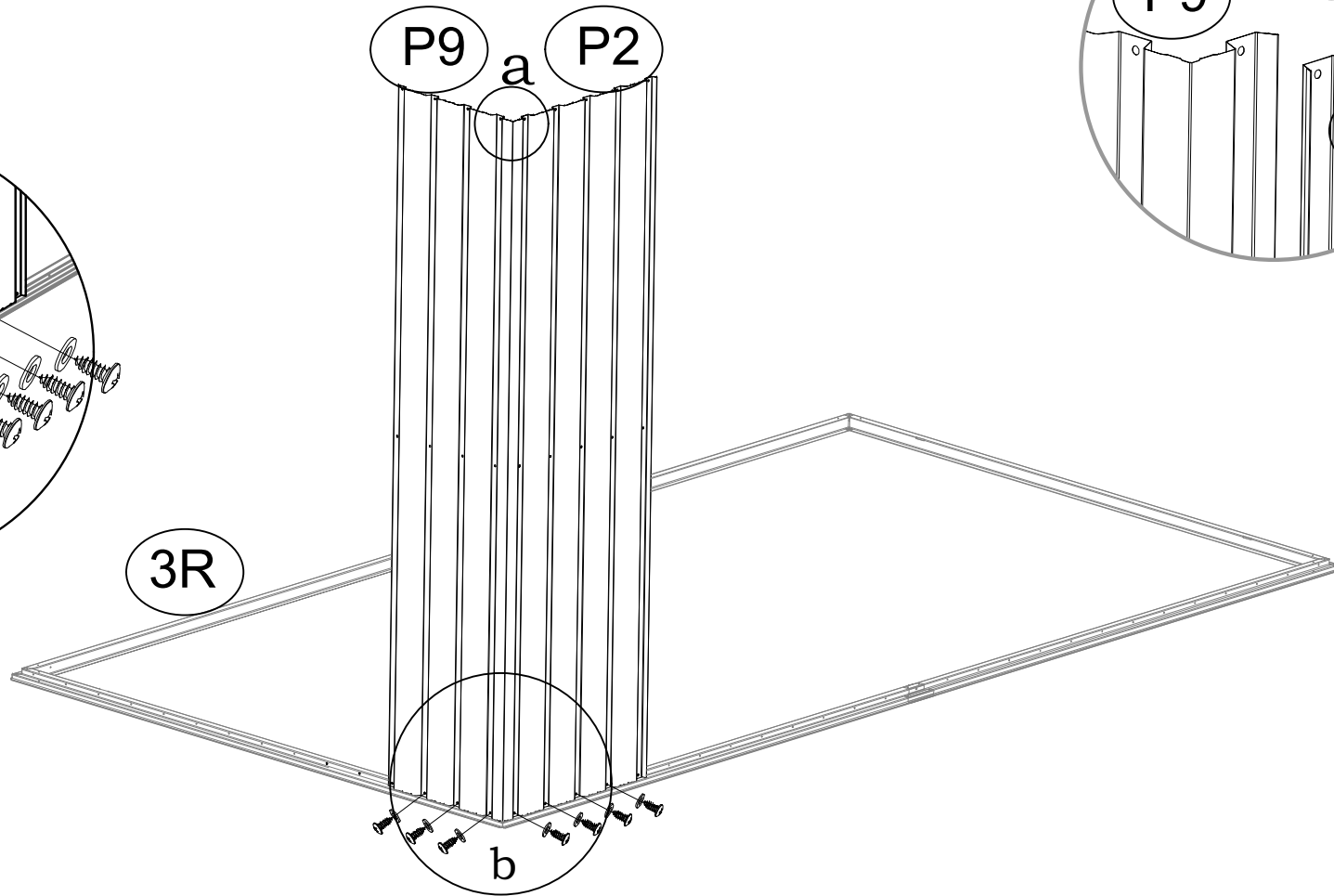
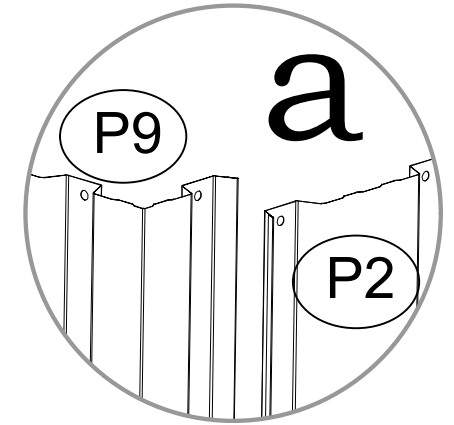
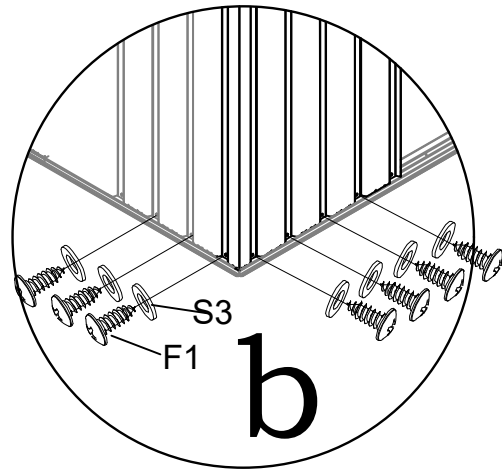
P2 x1

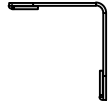


F1 x7

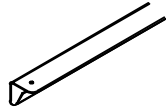


S3 x7

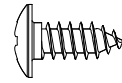




23R x1



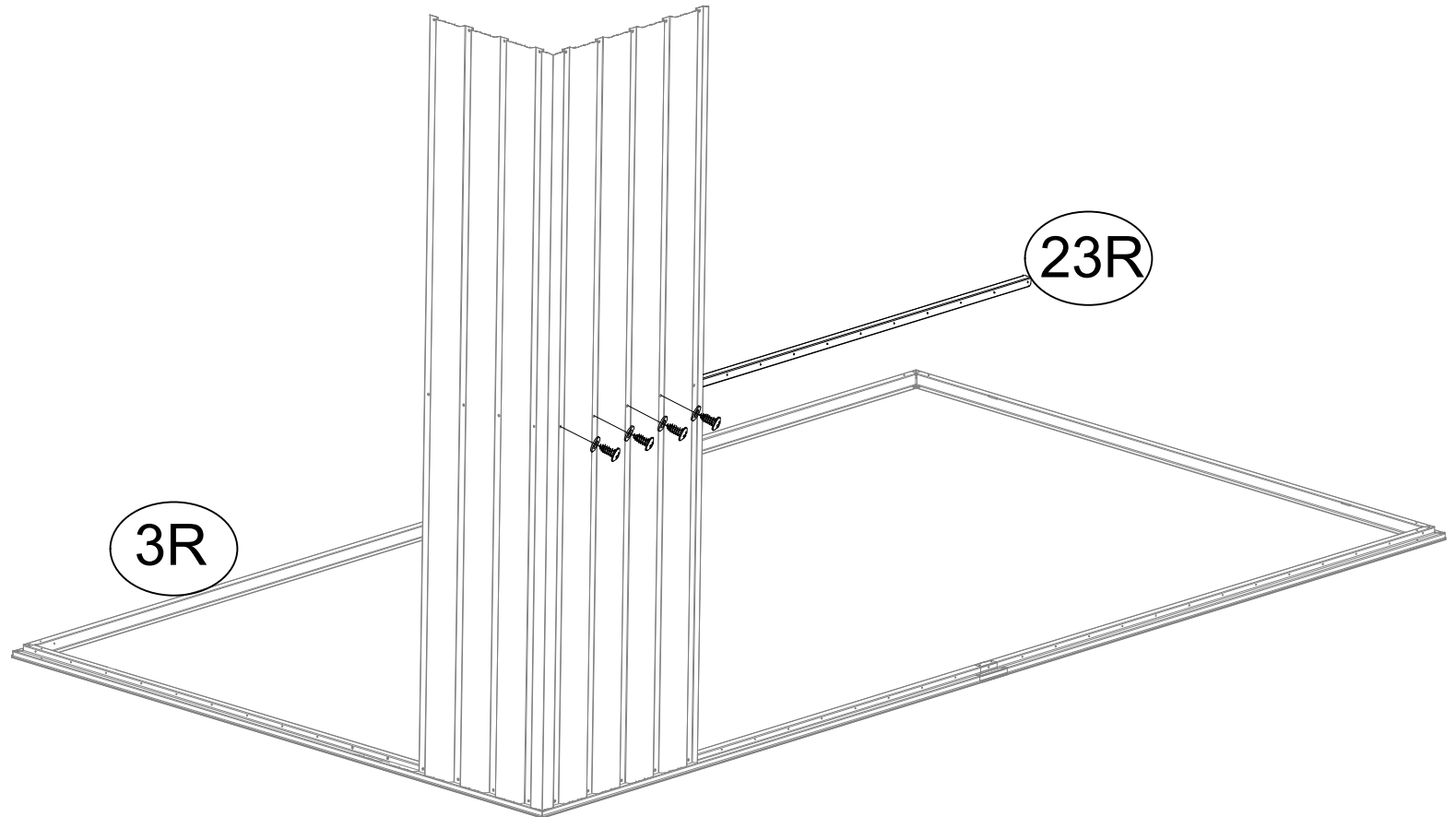
3R



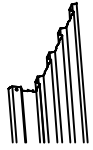
F1 x4



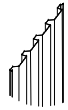
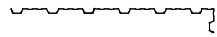
S3 x4



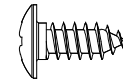
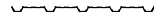
23R



P9 x1



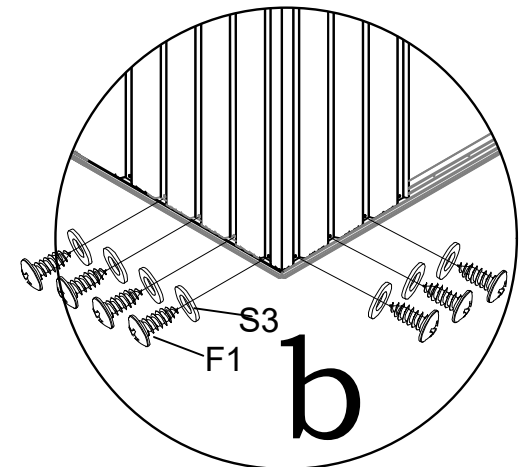
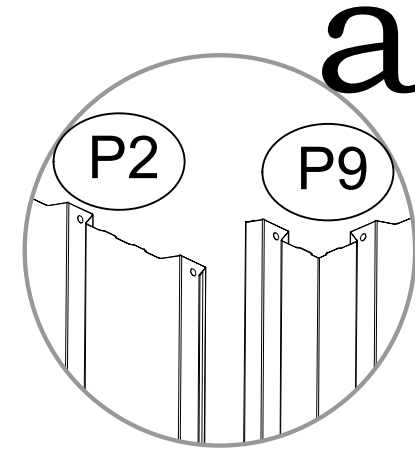
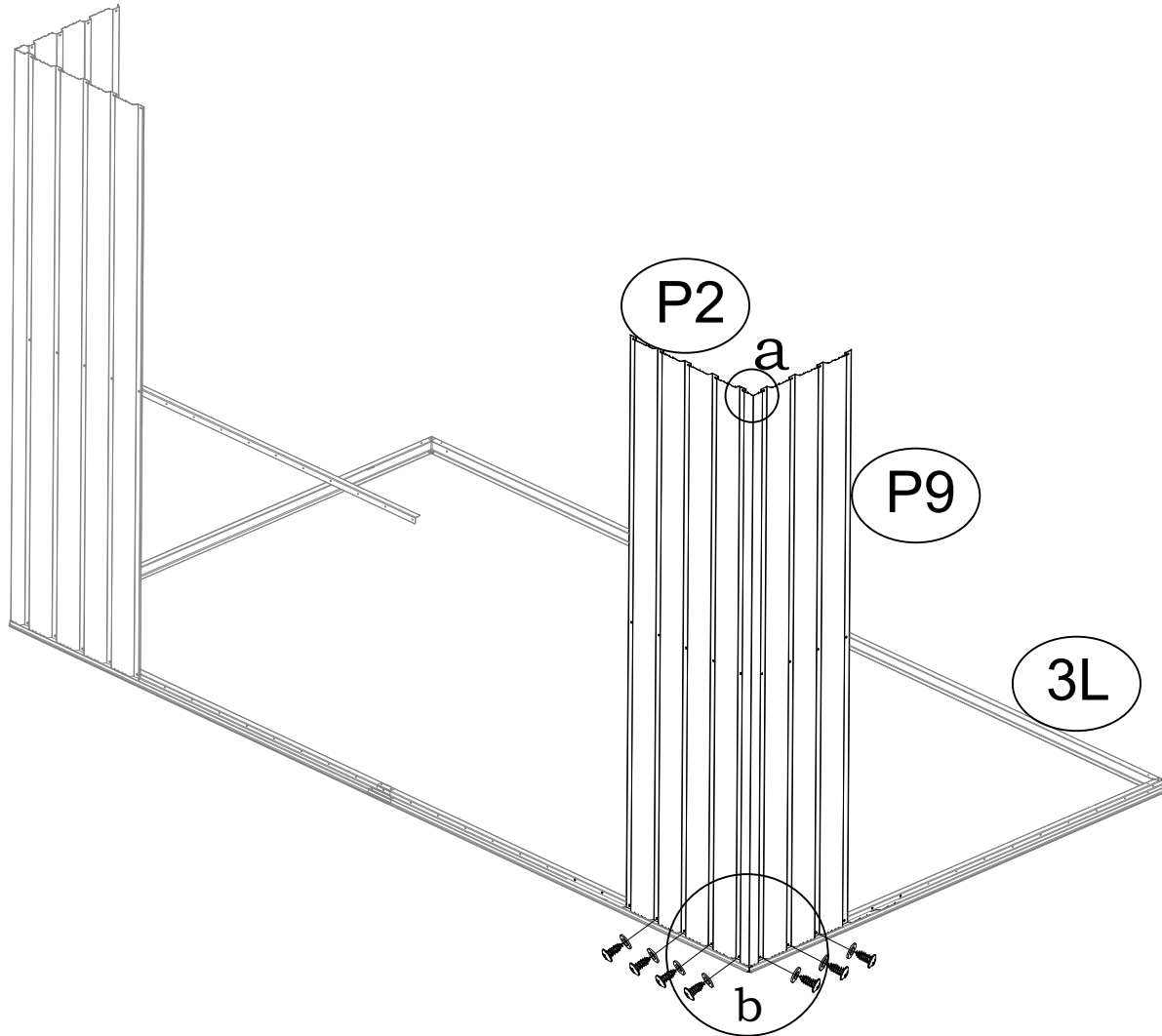
P2 x1

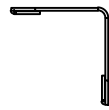


F1 x7

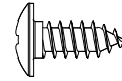
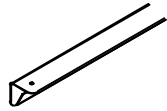


S3 x7





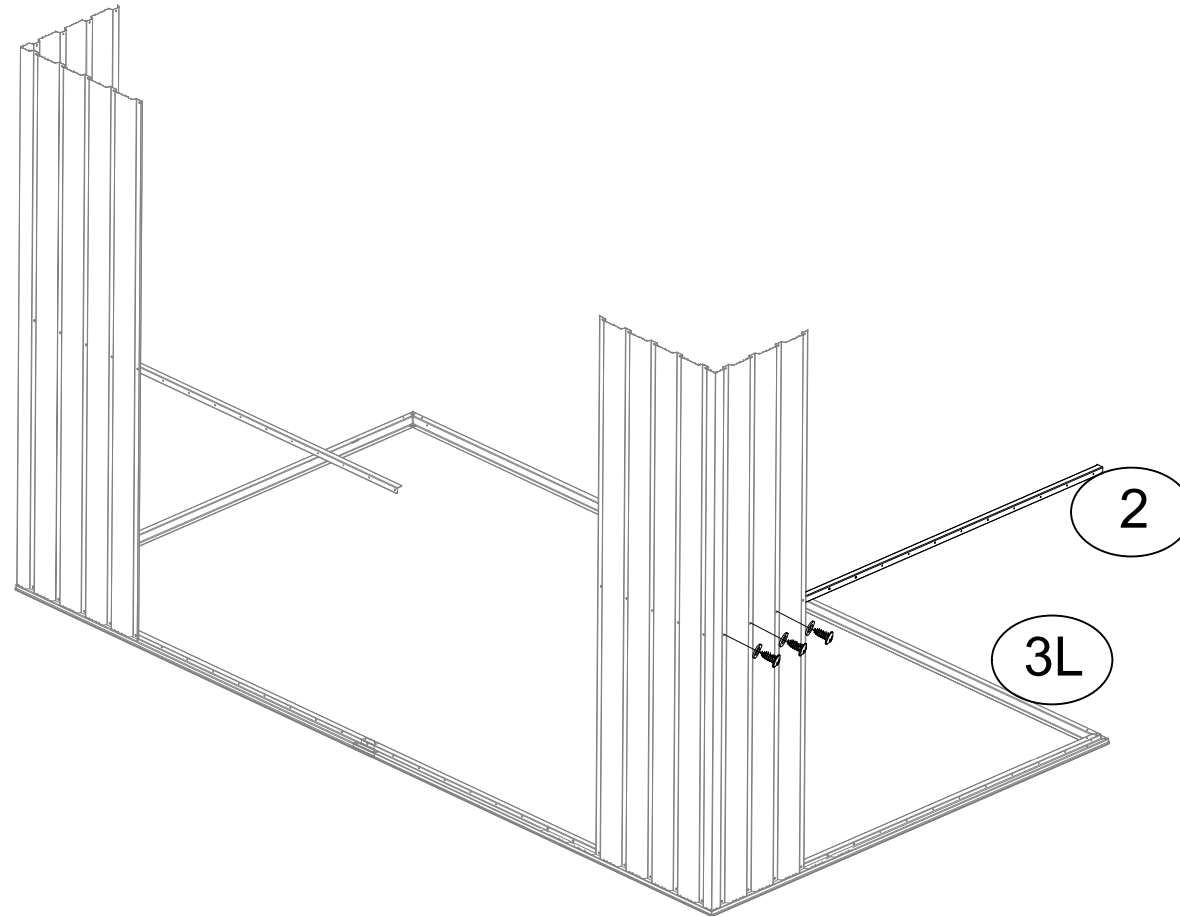
2 x1



F1 x3

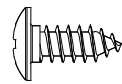
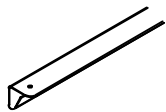


S3 x3





23L x1

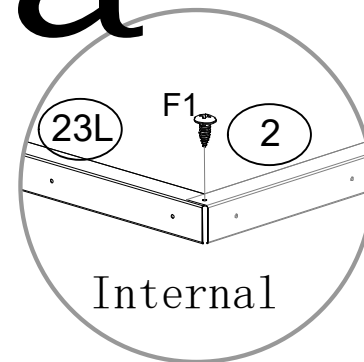


F1 x3

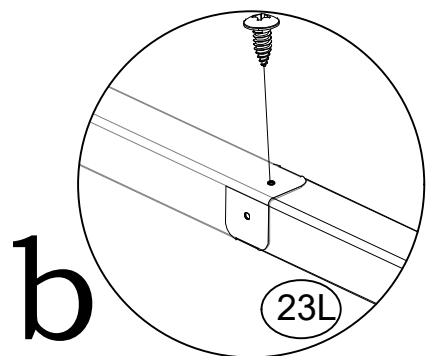
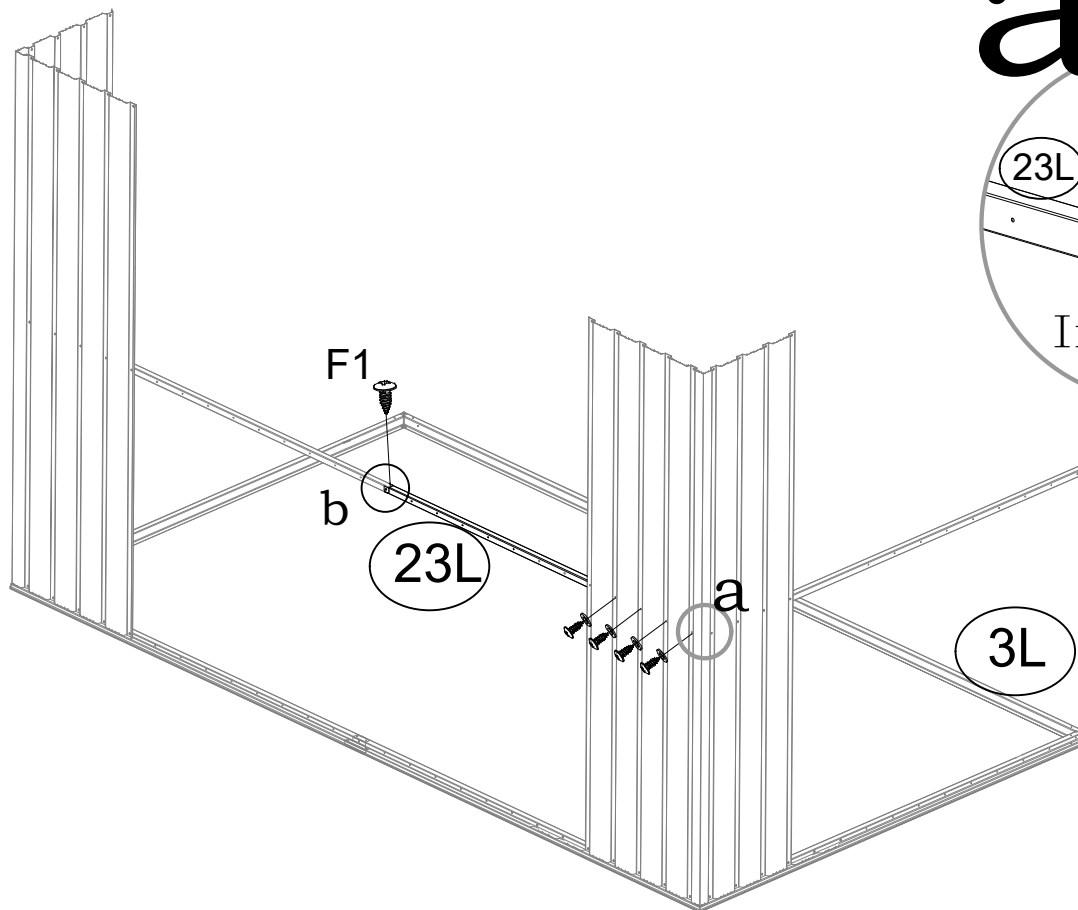


S3 x3

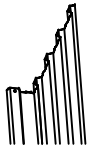
a



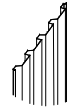
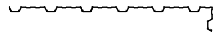
Internal



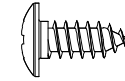
b



P9 x1



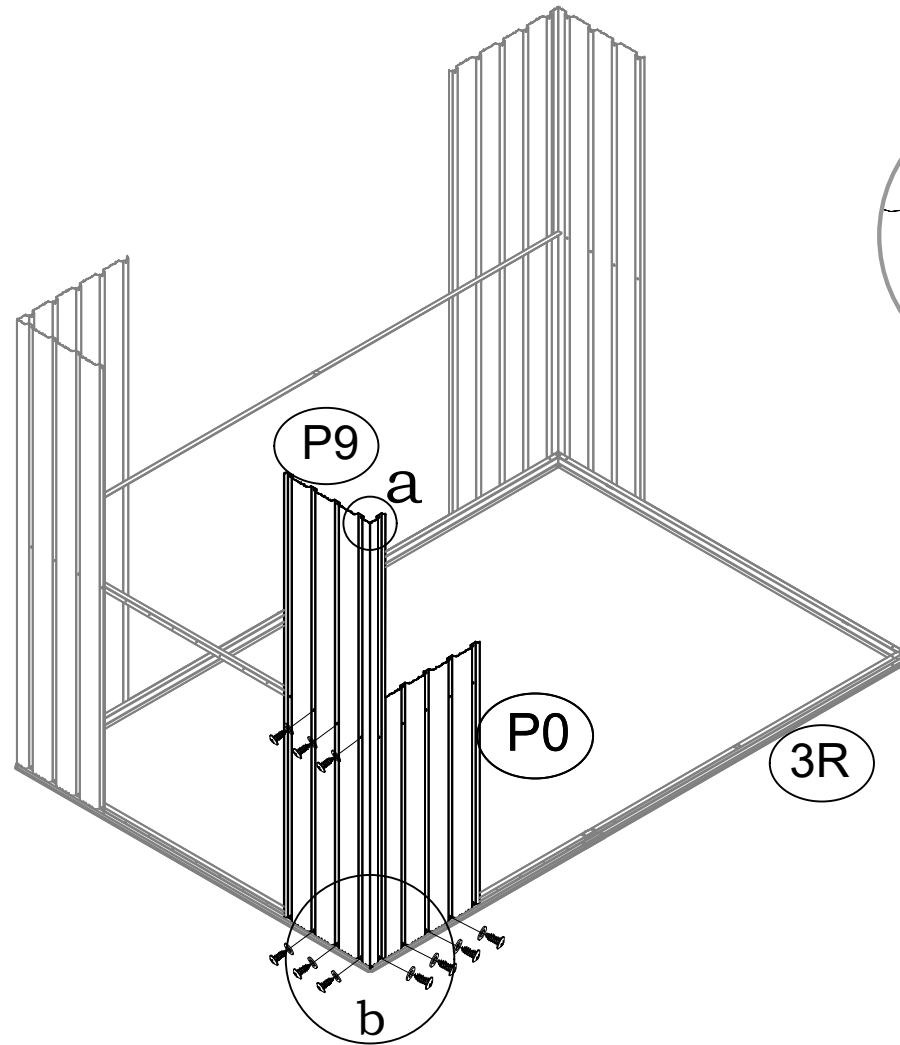
P0 x1

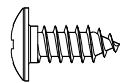
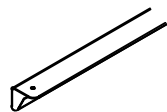
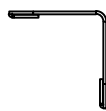


F1 x10



S3 x10

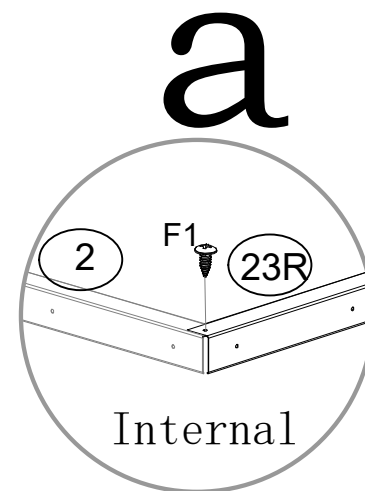
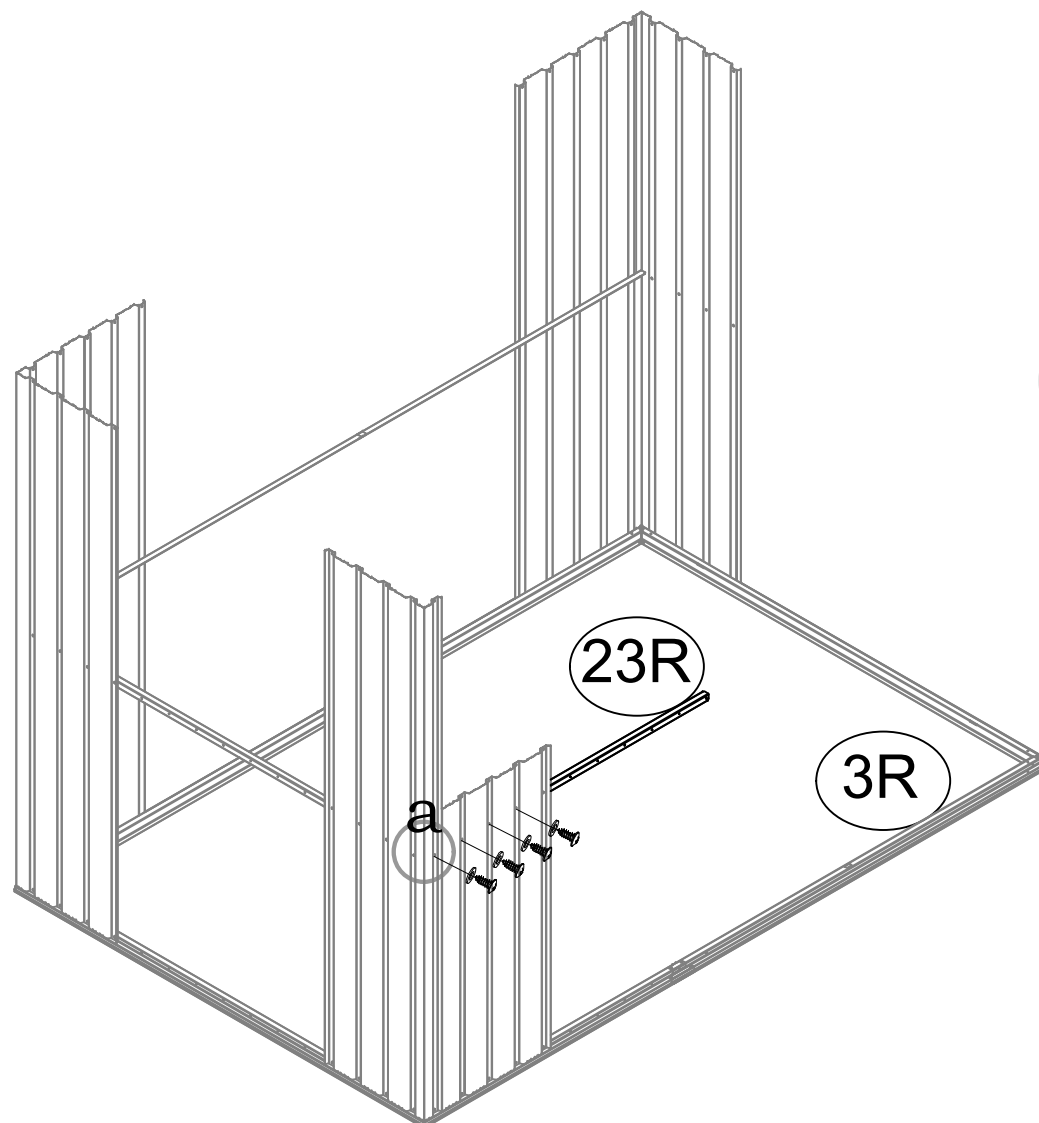


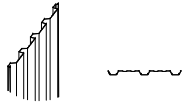


23R x1

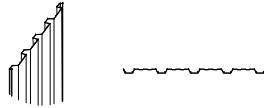
F1 x5

S3 x4

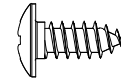




P02 x1



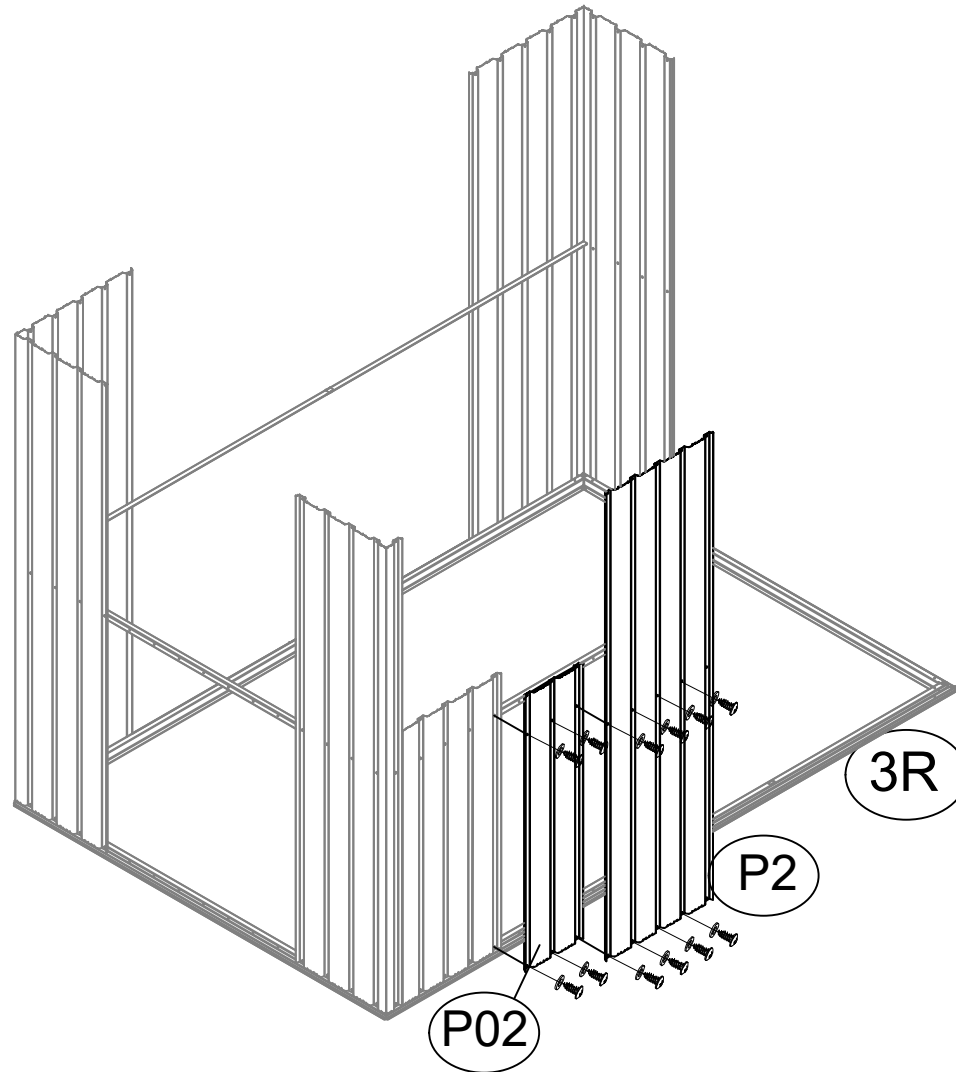
P2 x1

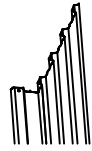


F1 x12



S3 x12

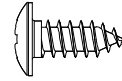




P9 x1



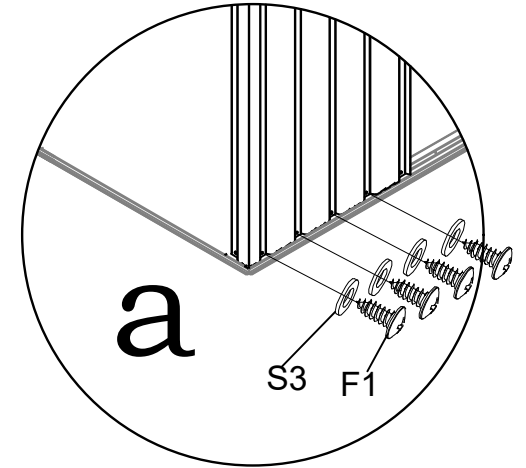
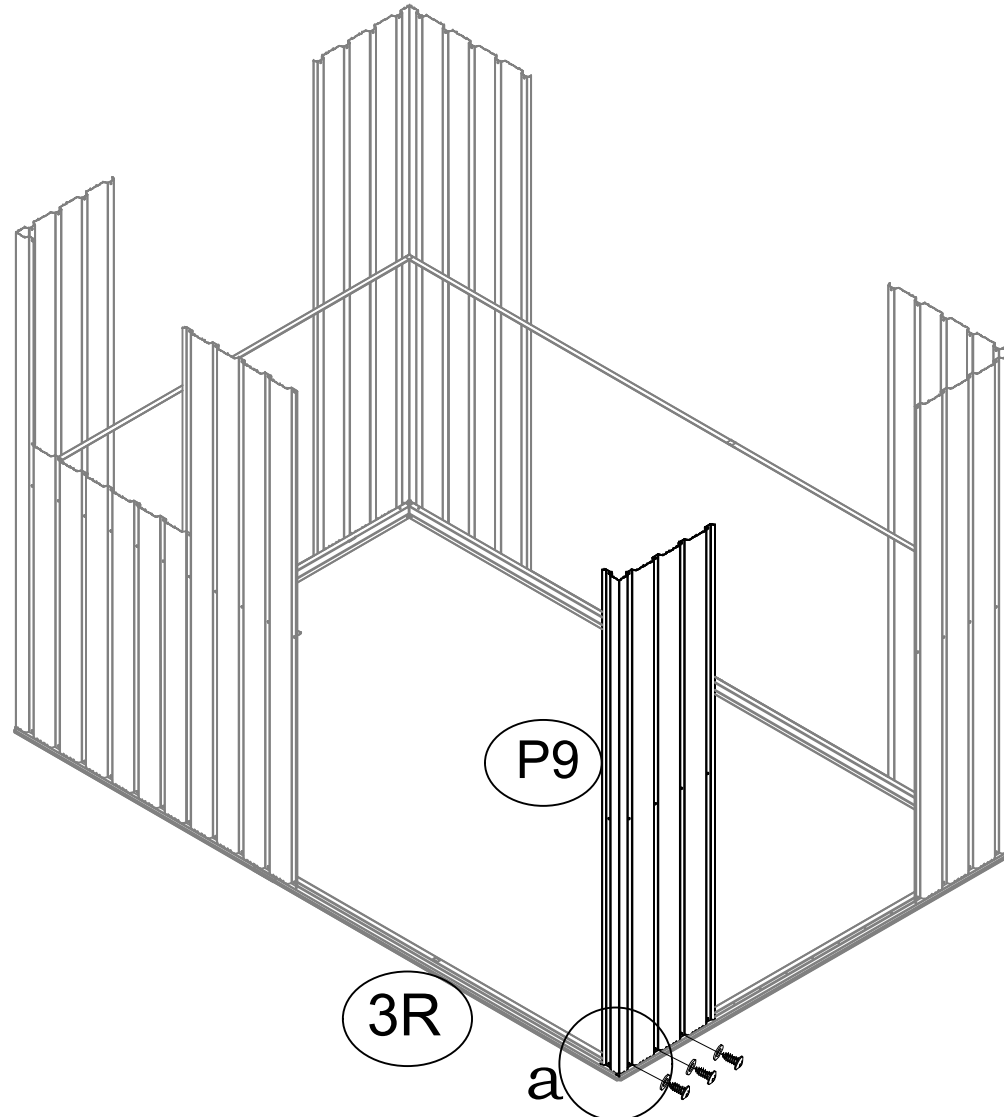
3R



F1 x3

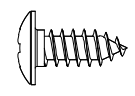
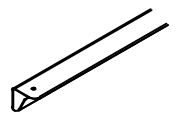


S3 x3





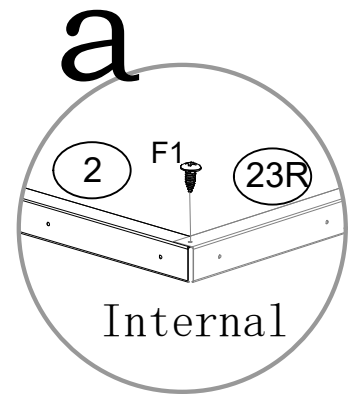
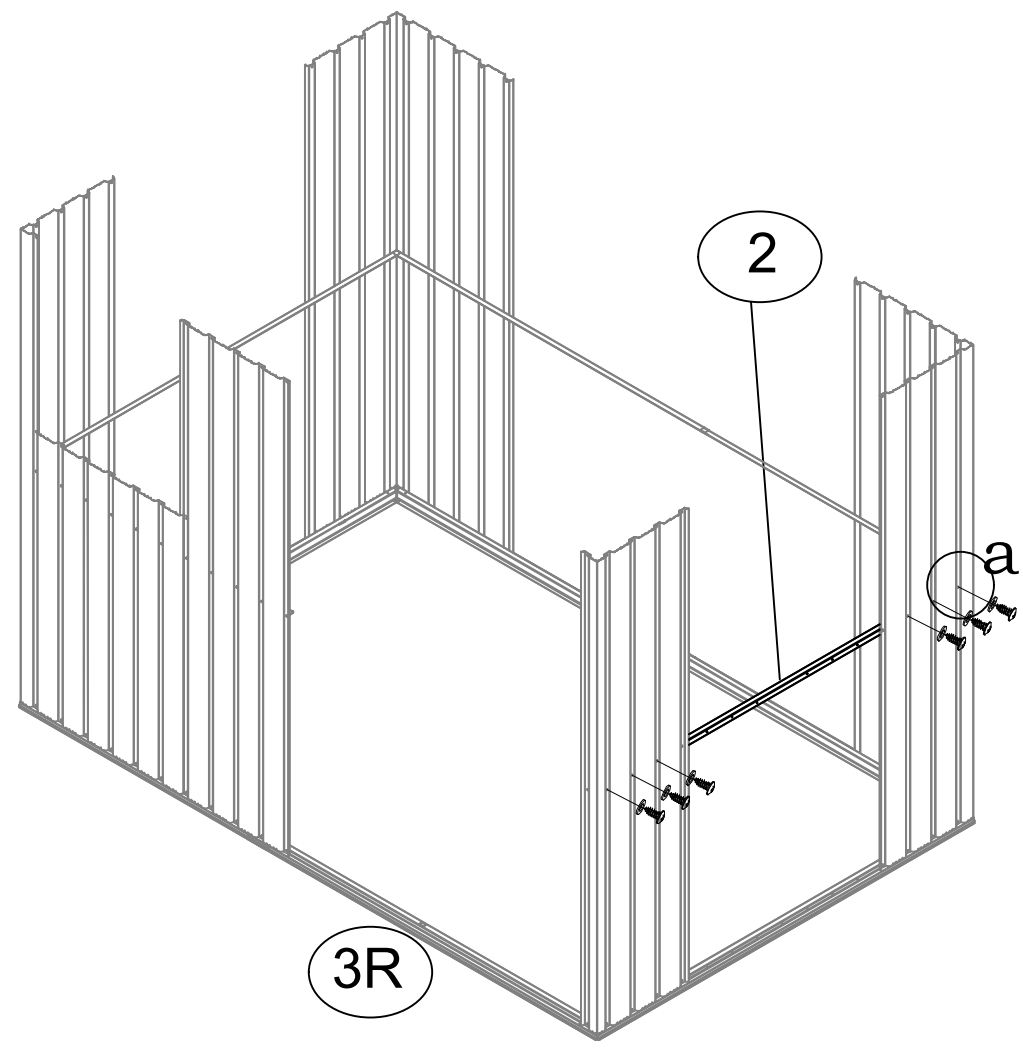
2 x1



F1 x6



S3 x6

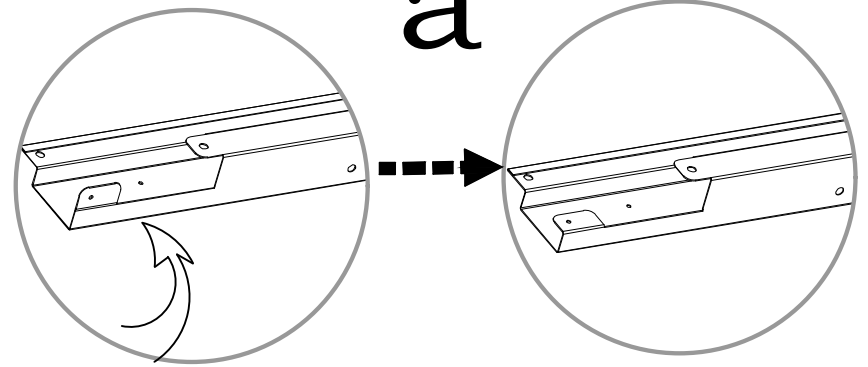
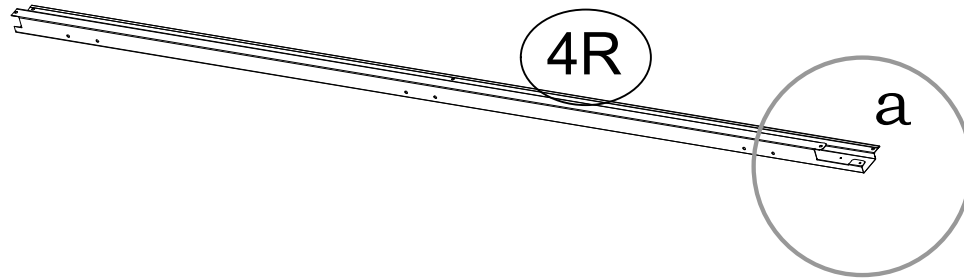




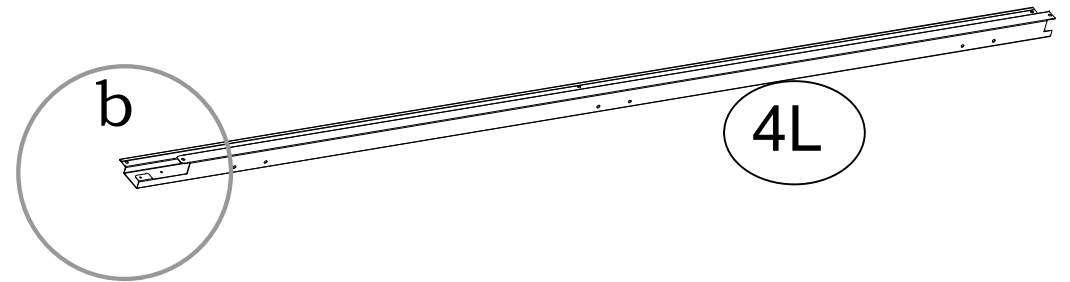
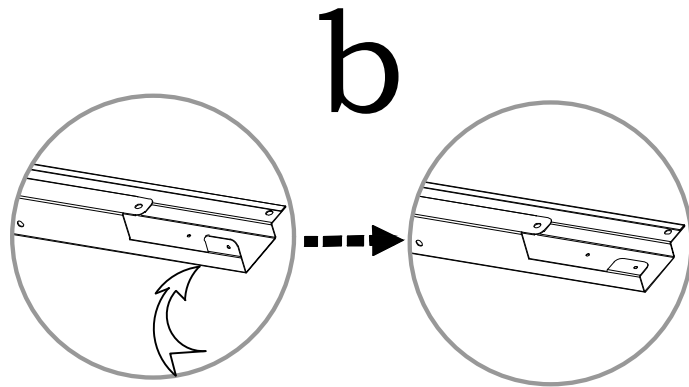
4L x1



4R x1



! Accessories need to be pressed and bent by hand.

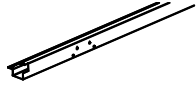




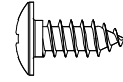
4L x1



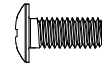
4R x1



F1 x5

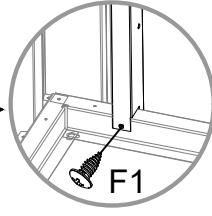
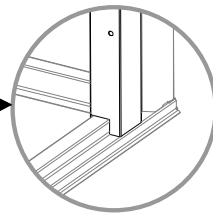
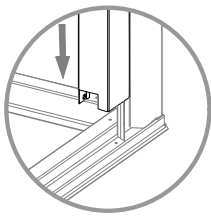


S3 x3

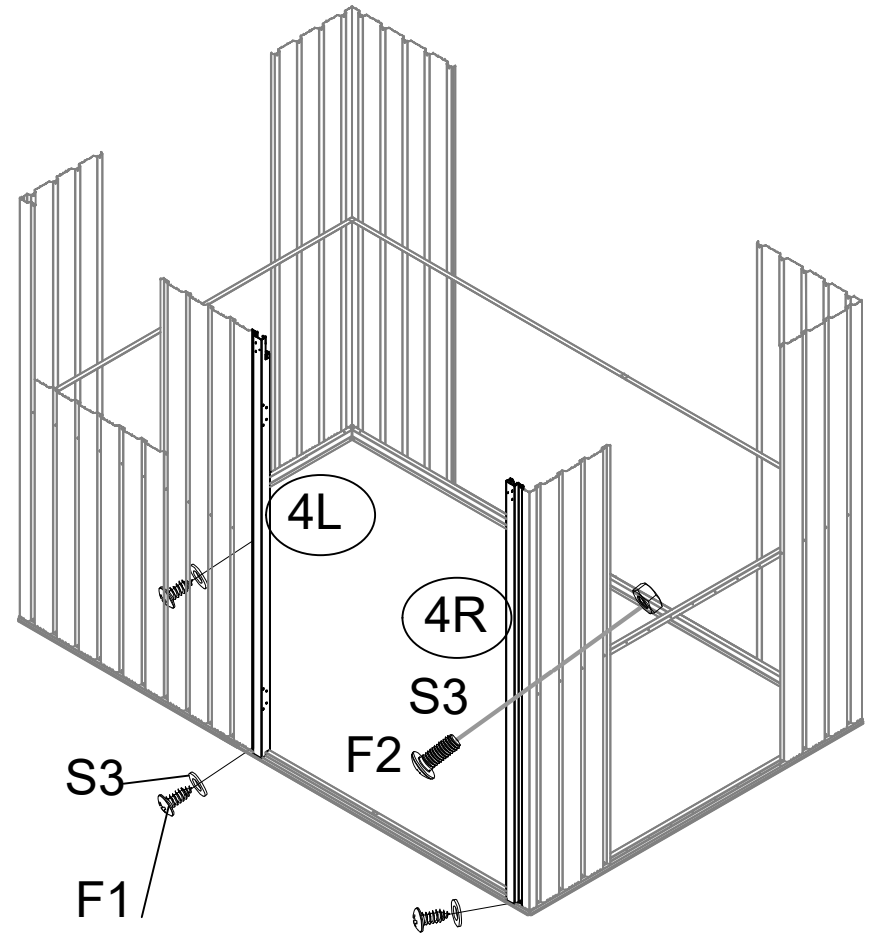
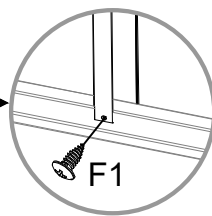
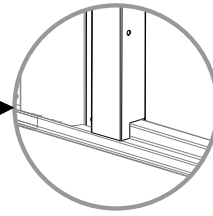
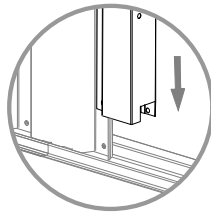


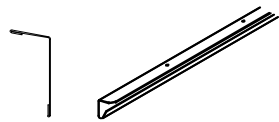
F2 x1

4R

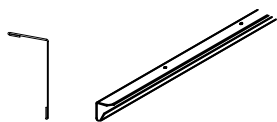


4L

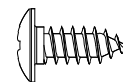




10L x1



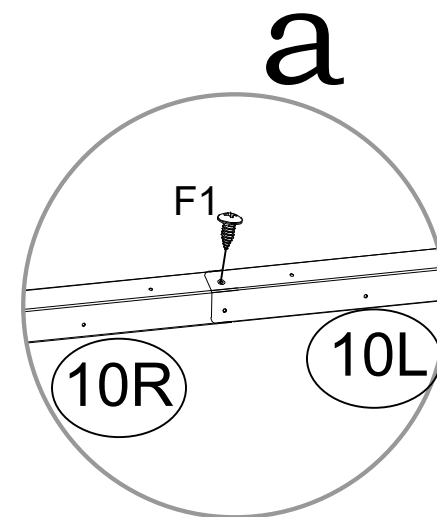
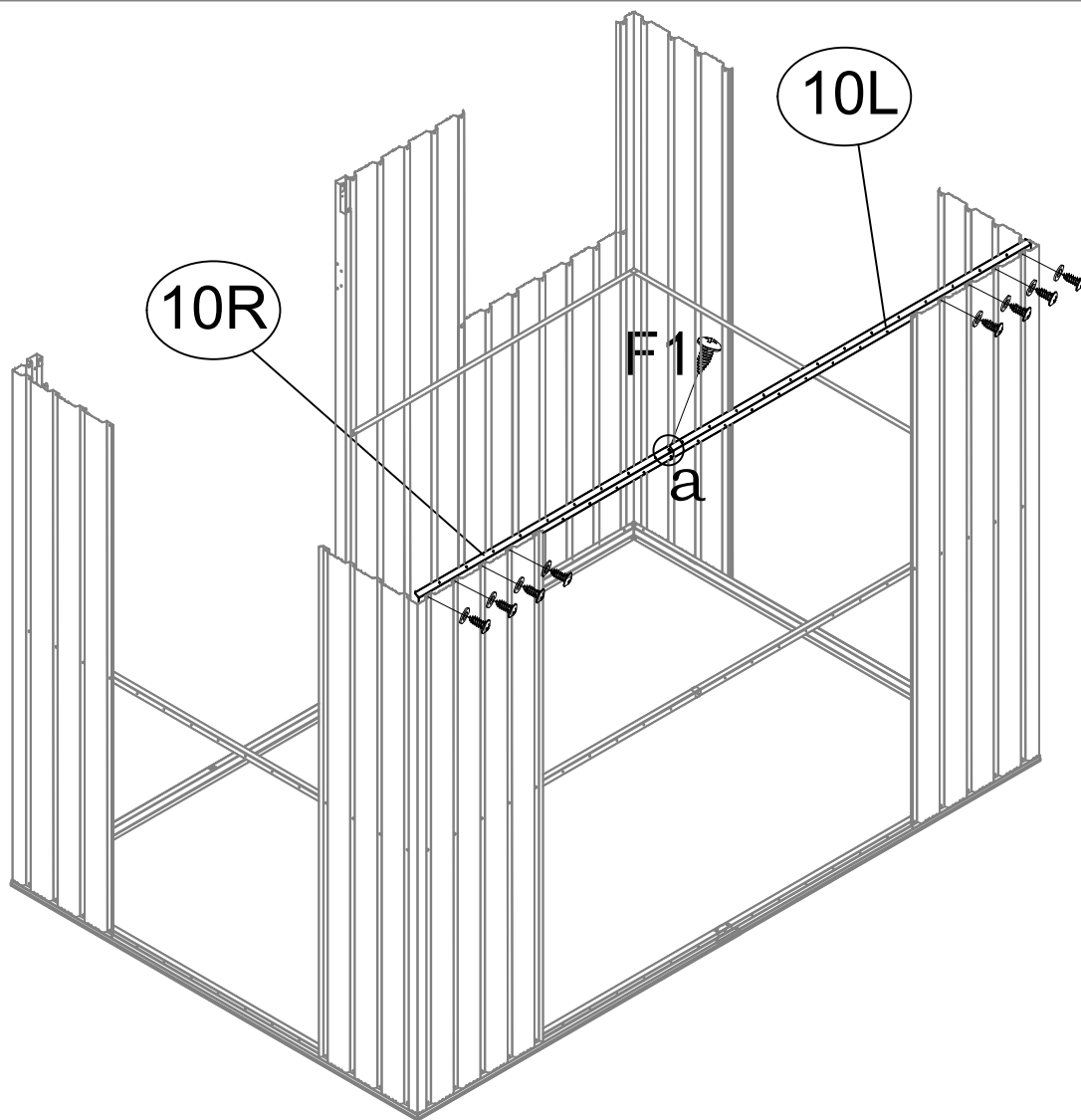
10R x1

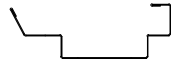


F1 x9

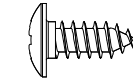
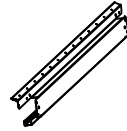


S3 x8





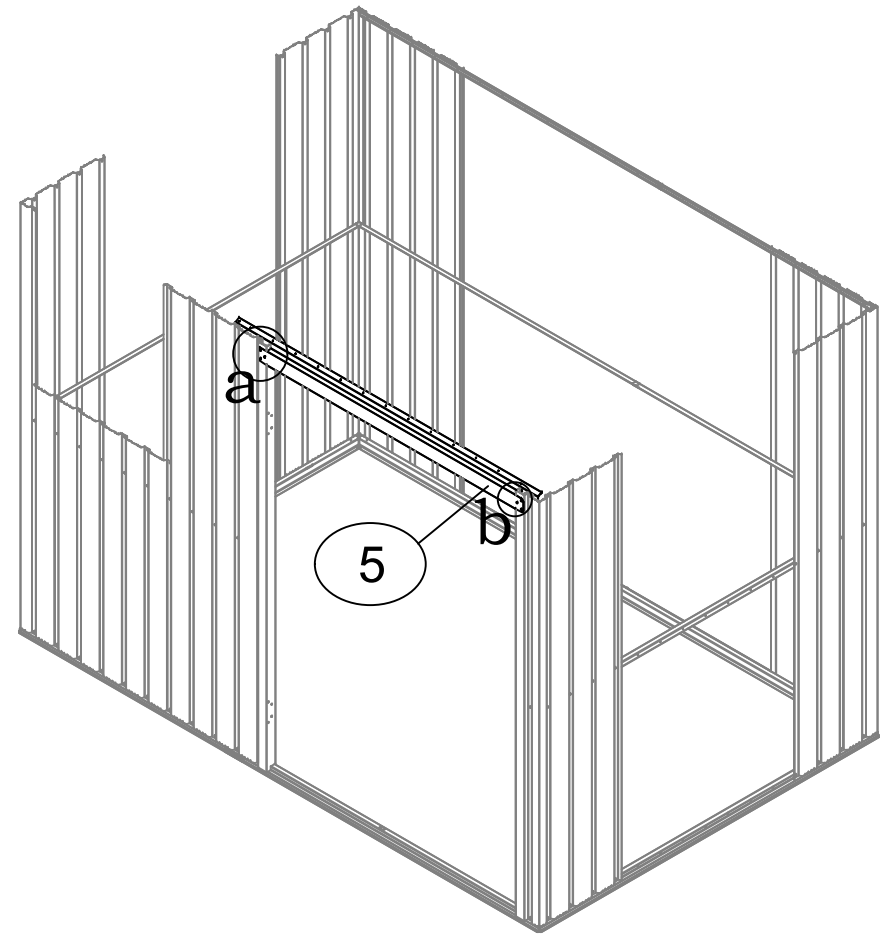
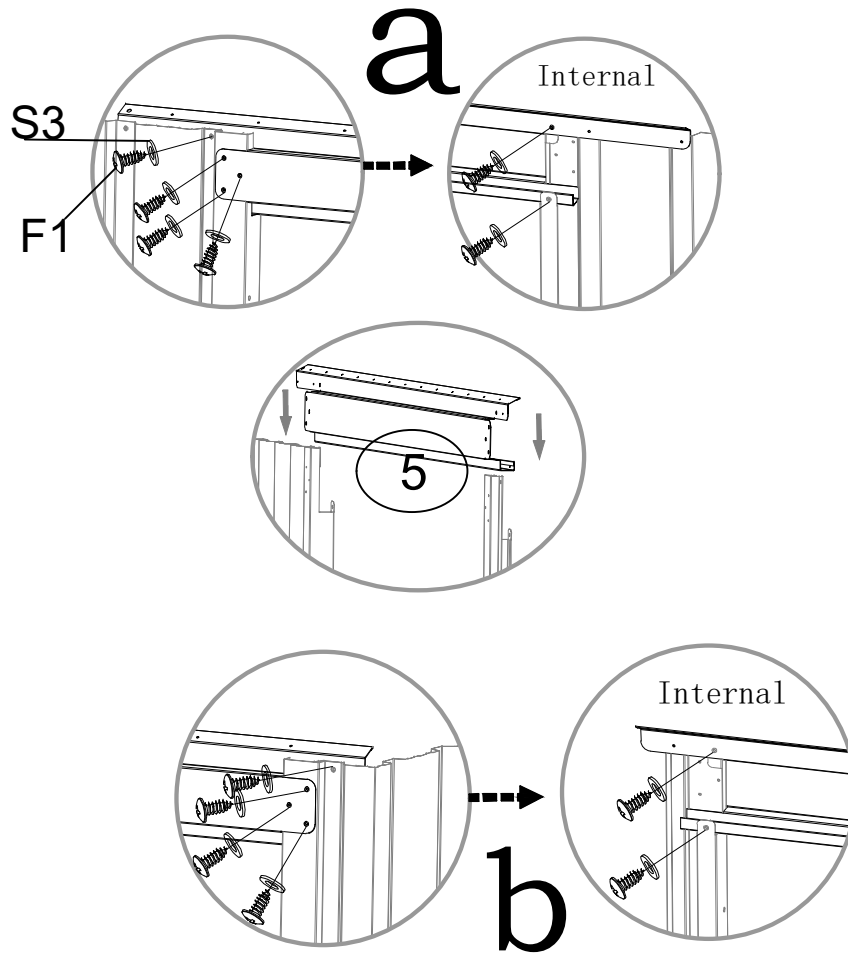
5 x1

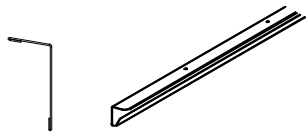


F1 x12

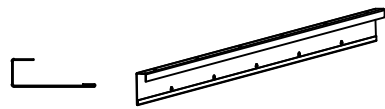


S3 x12

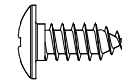




10R x1



C3 x2



F1 x10



S3 x10

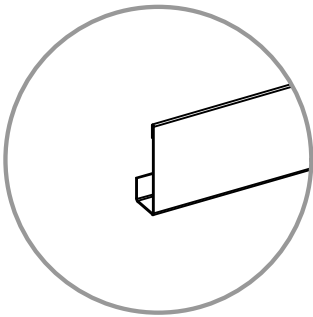


F2 x5

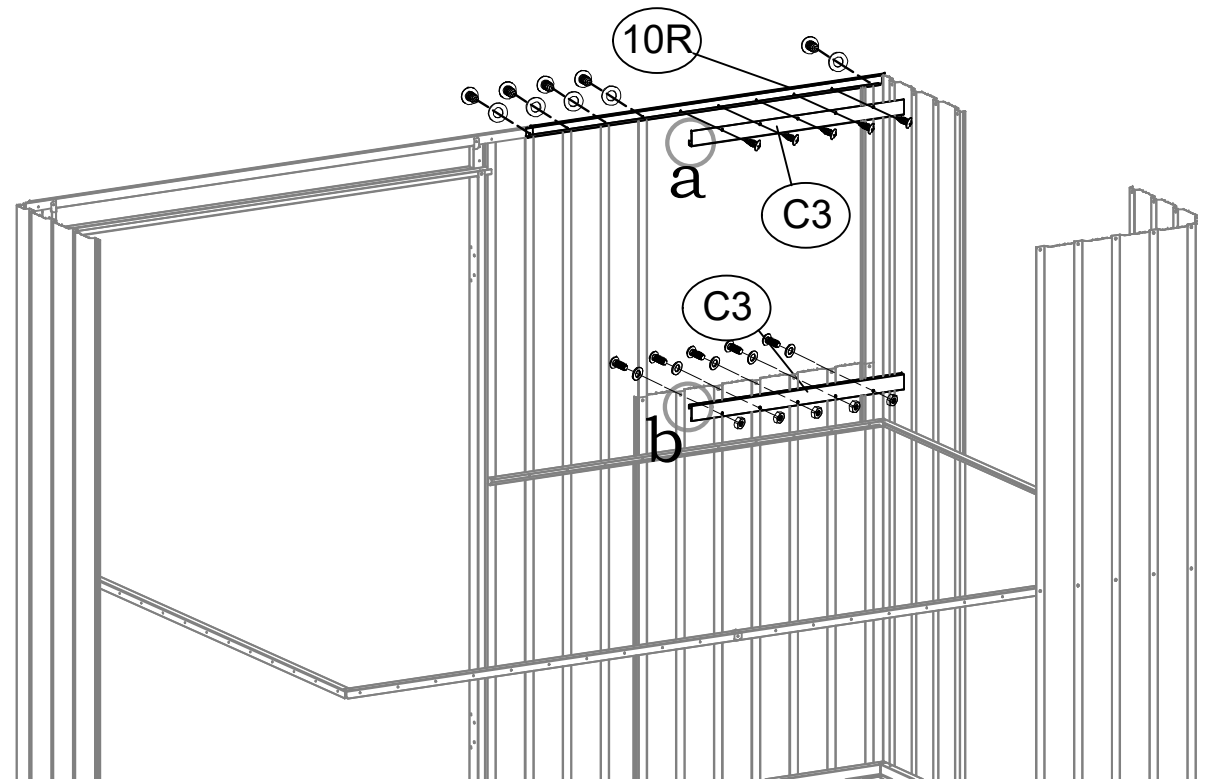
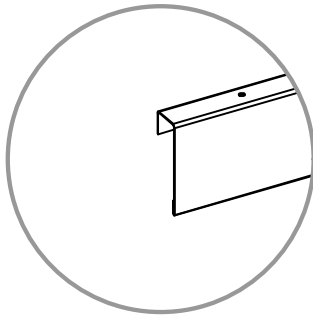


Pay attention to the direction of the accessories

a



b

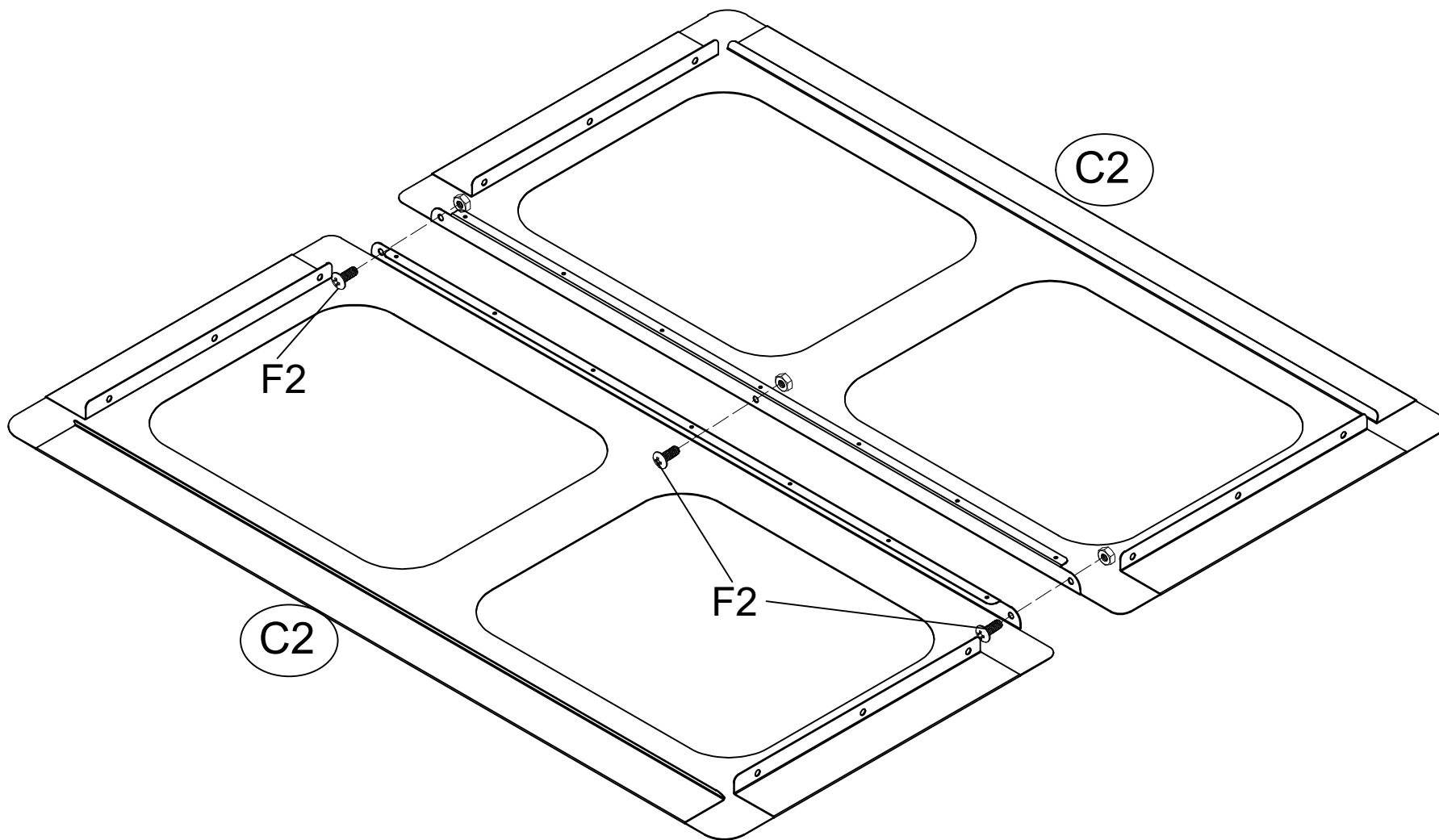


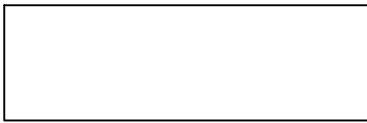


C2 x2

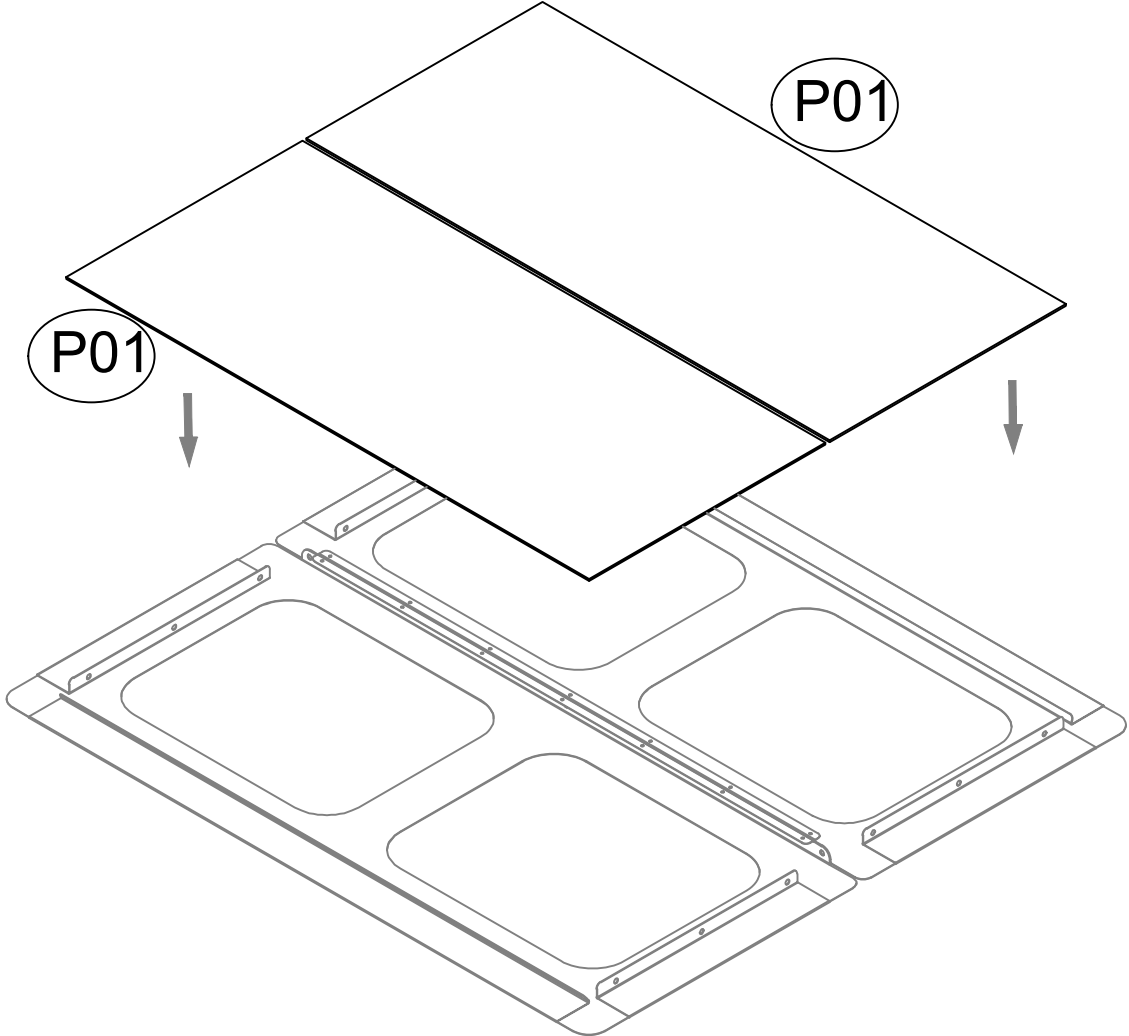


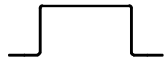
F2 x3



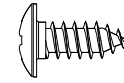
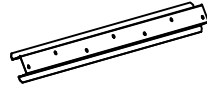


P01 x2

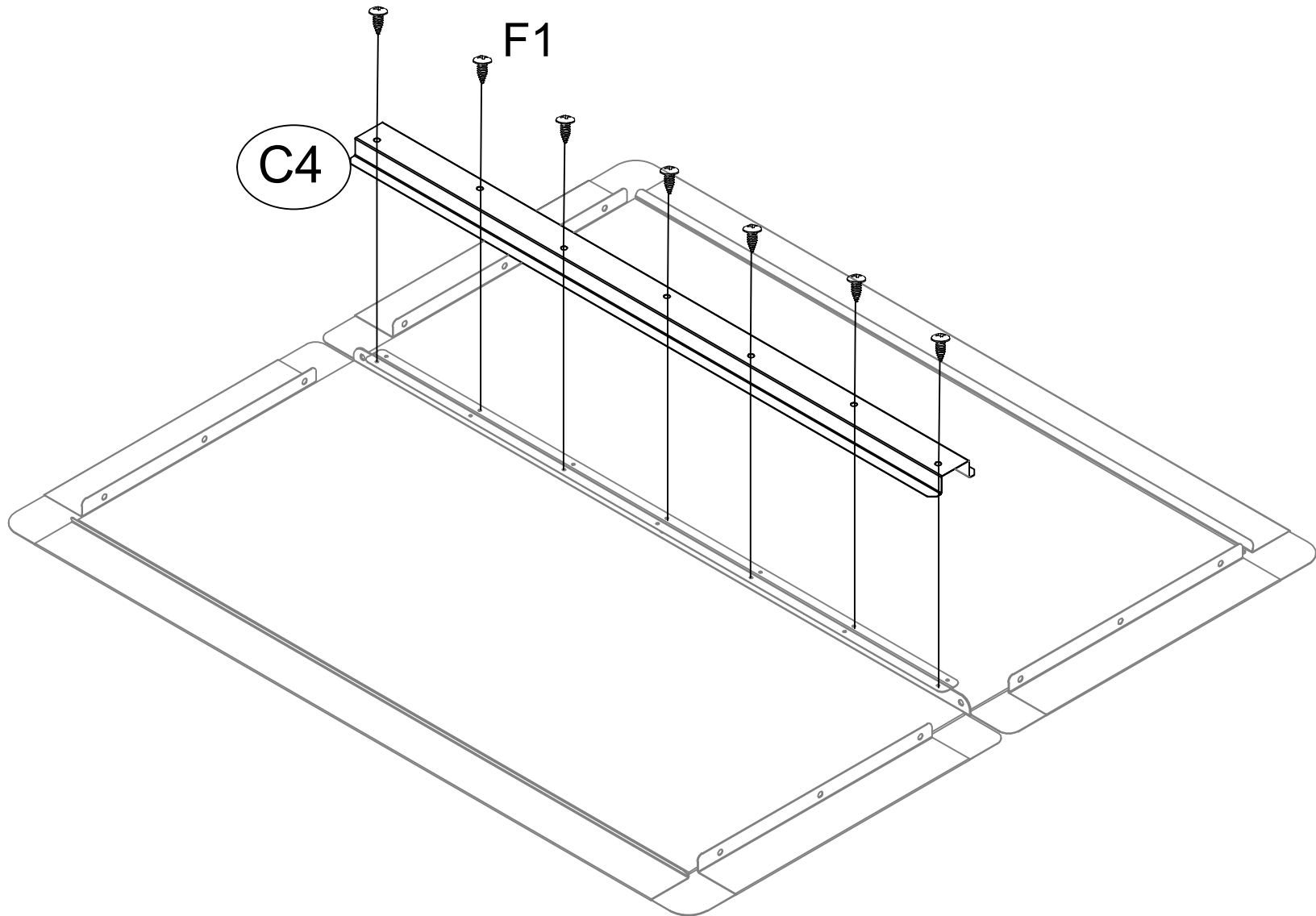


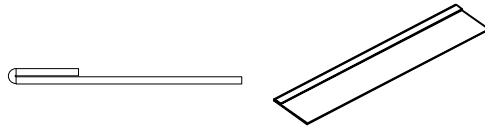


C4 x1

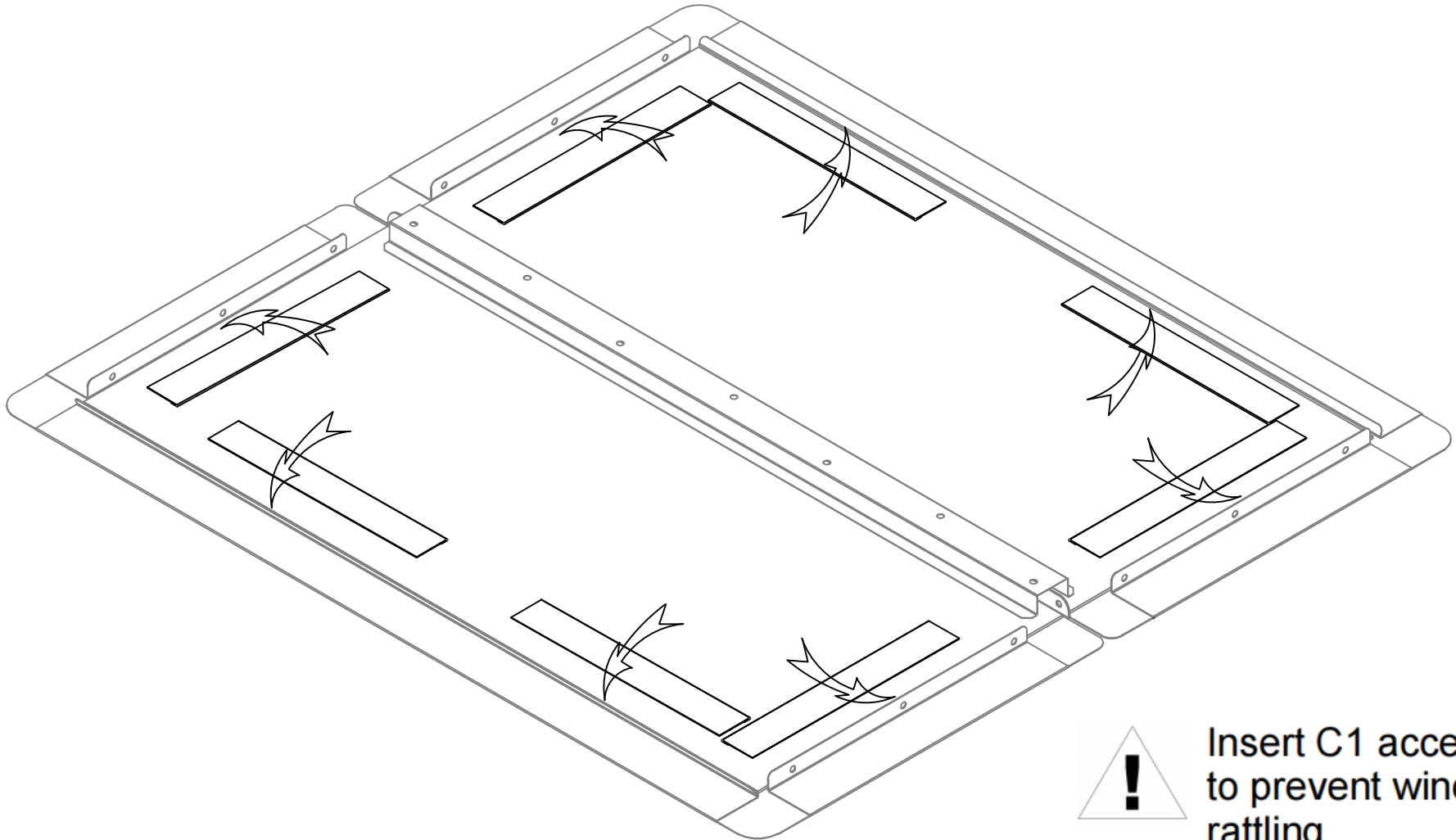


F1 x7

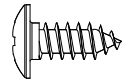




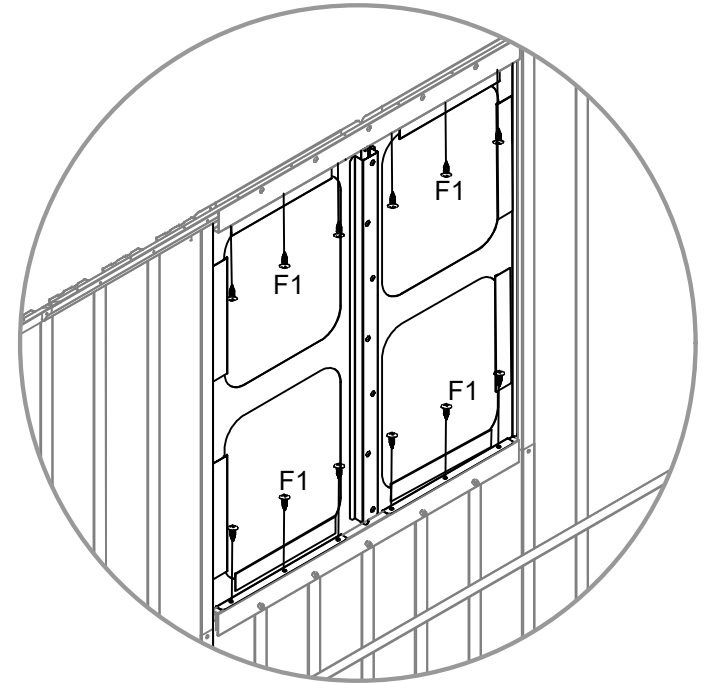
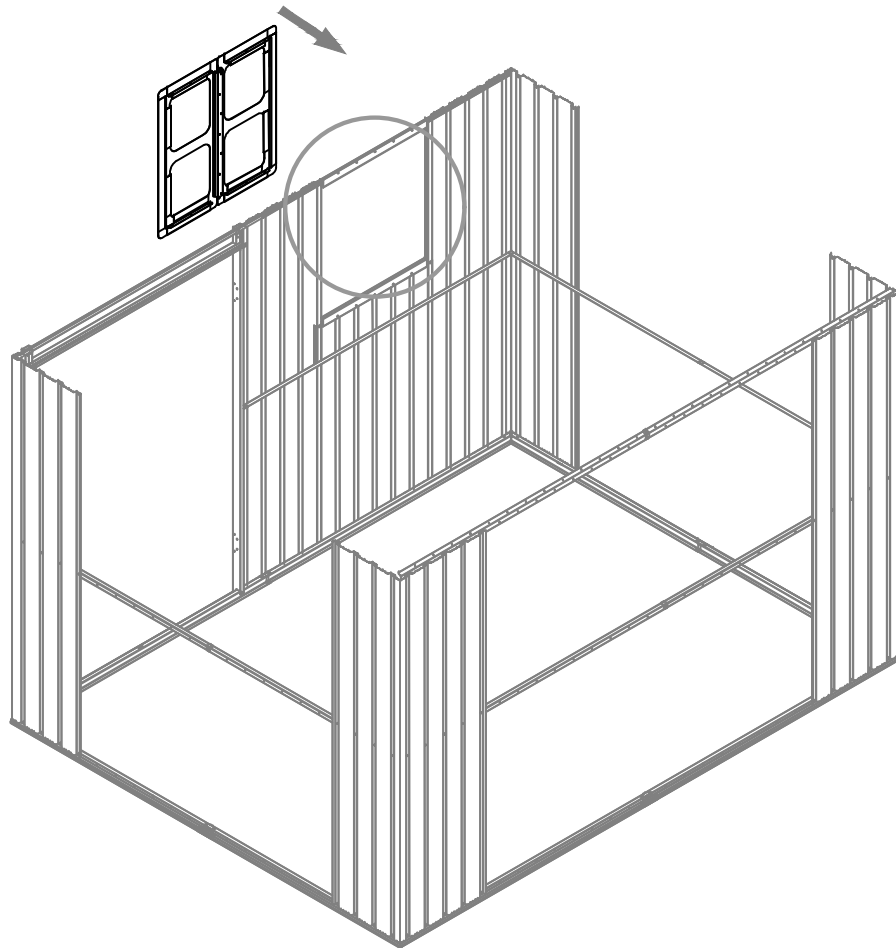
C1 x8

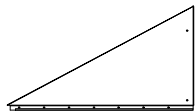


Insert C1 accessories
to prevent window
rattling.

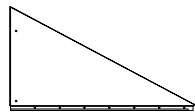


F1 x12





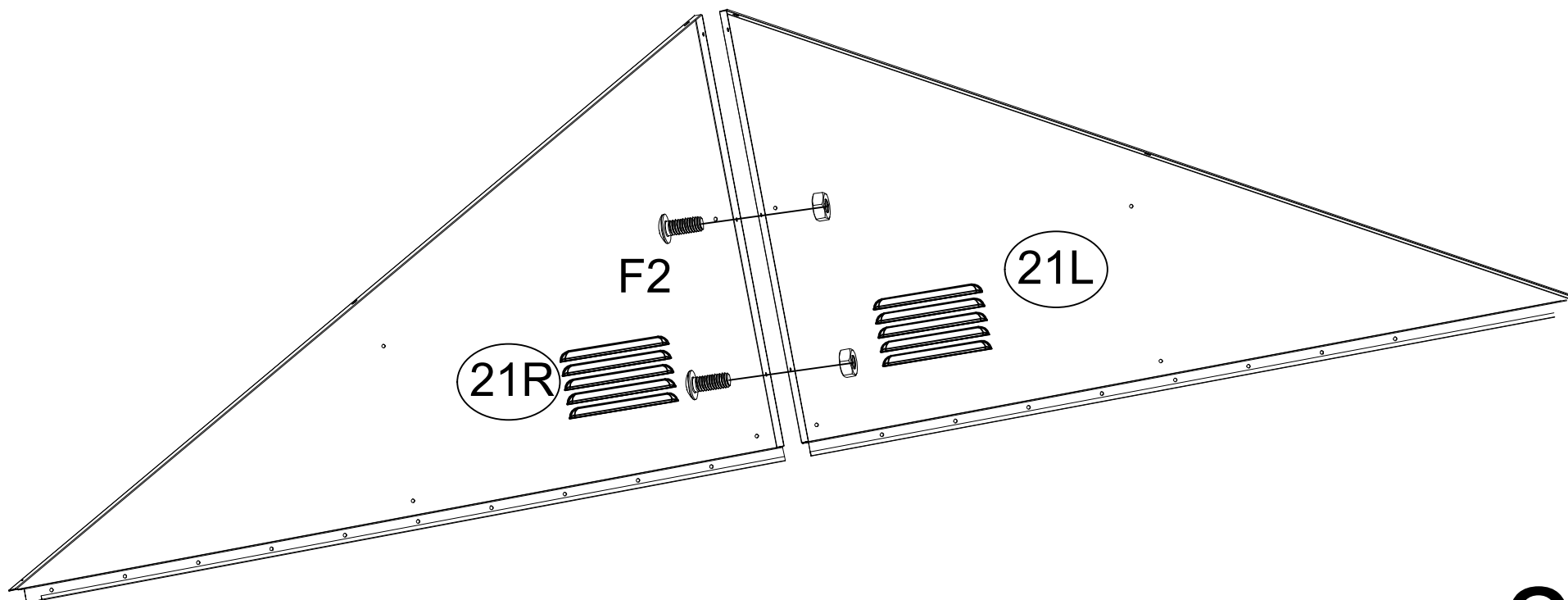
21L x2



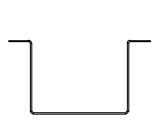
21R x2



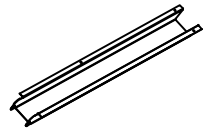
F2 x2



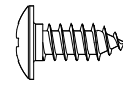
x2



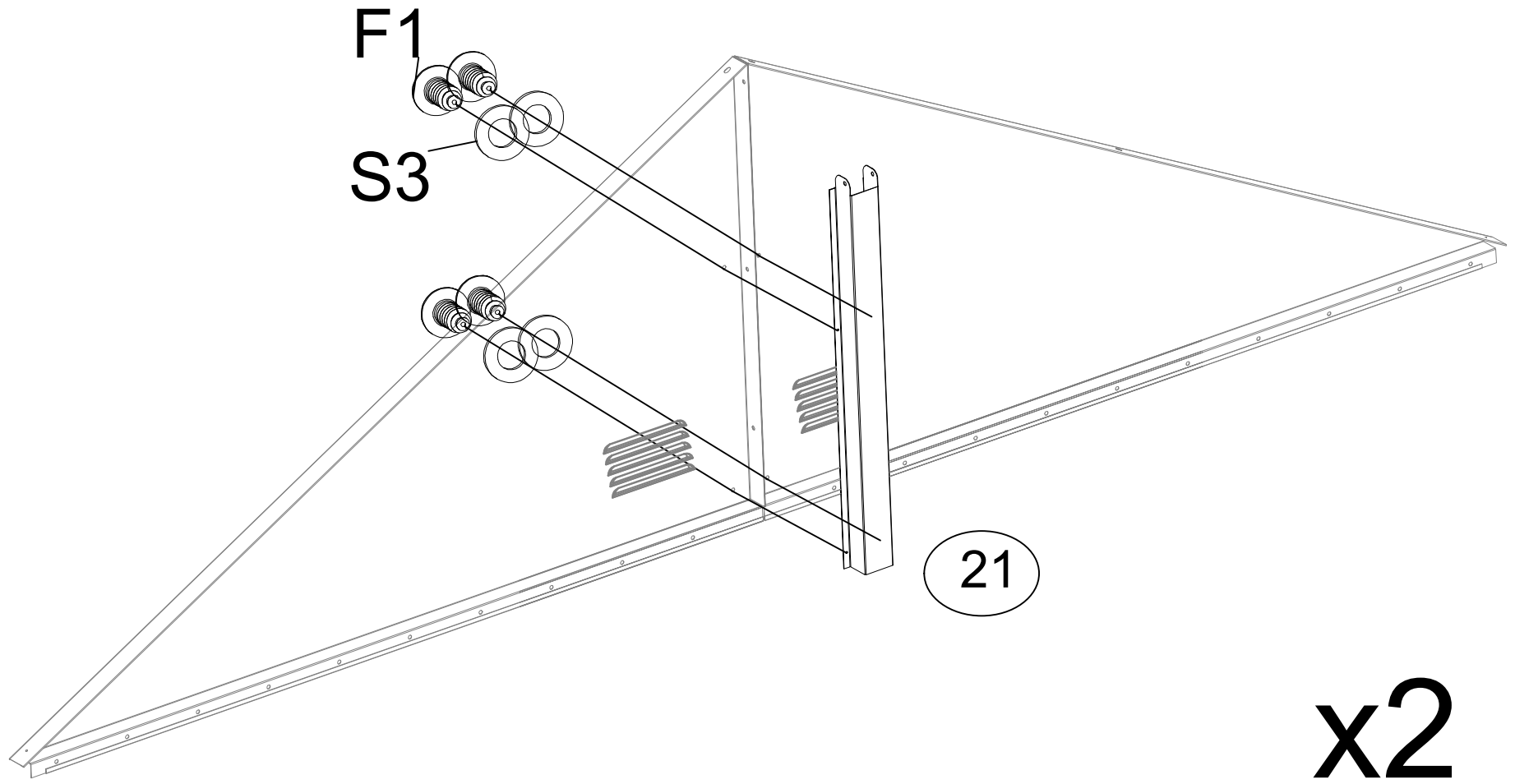
21 x2



F1 x8



S3 x8



F1

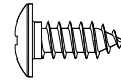
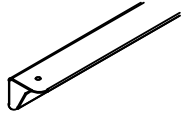
S3

21

x2



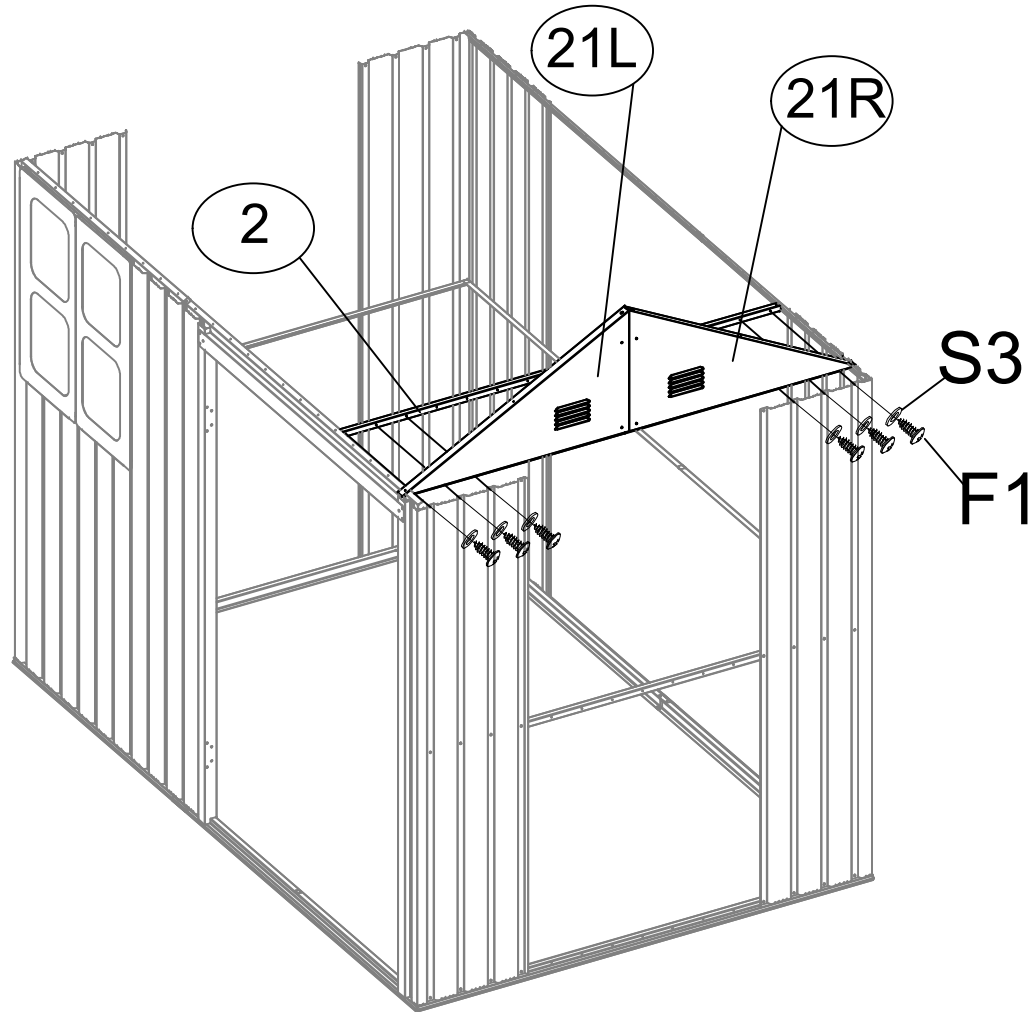
2 x1



F1 x6

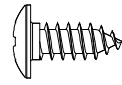
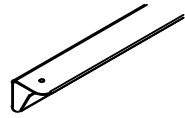


S3 x6





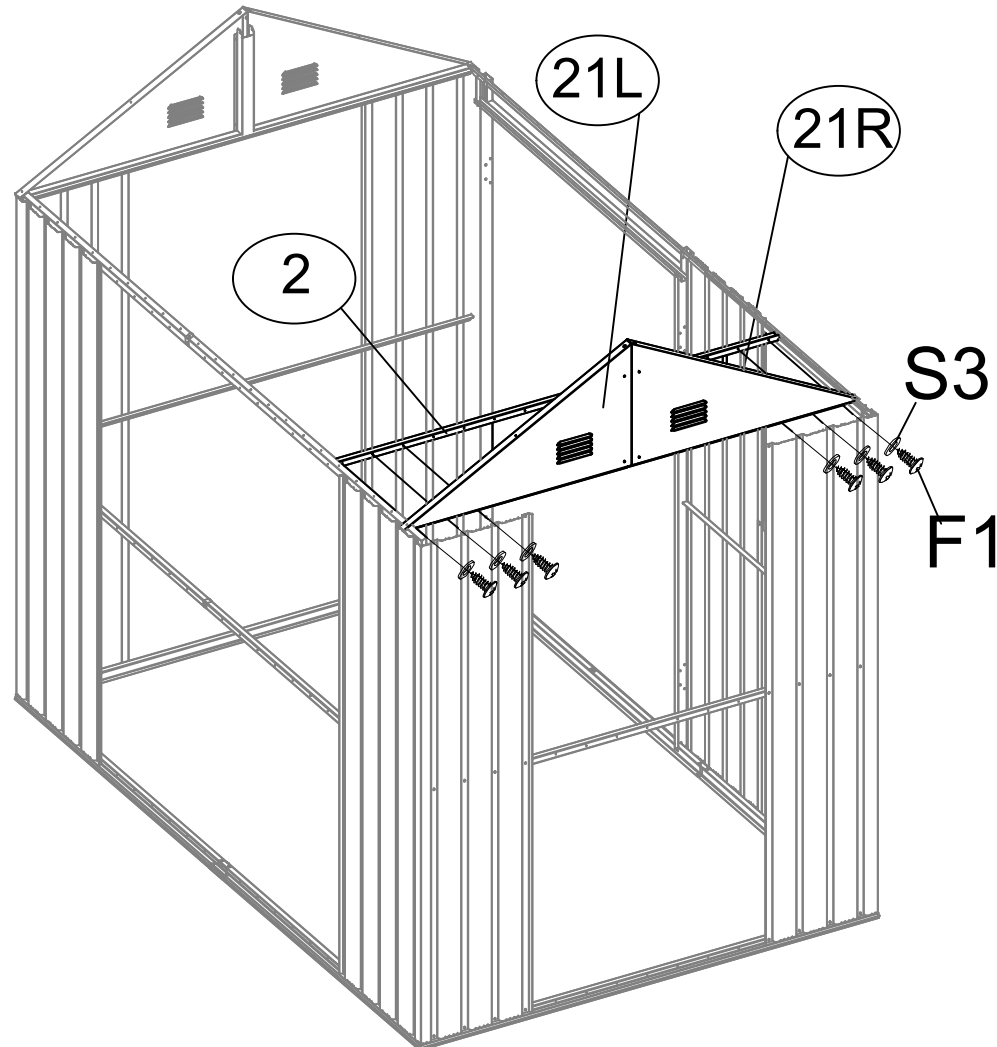
2 x1

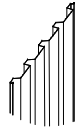


F1 x6

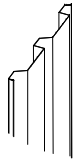


S3 x6

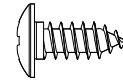




P2 x5



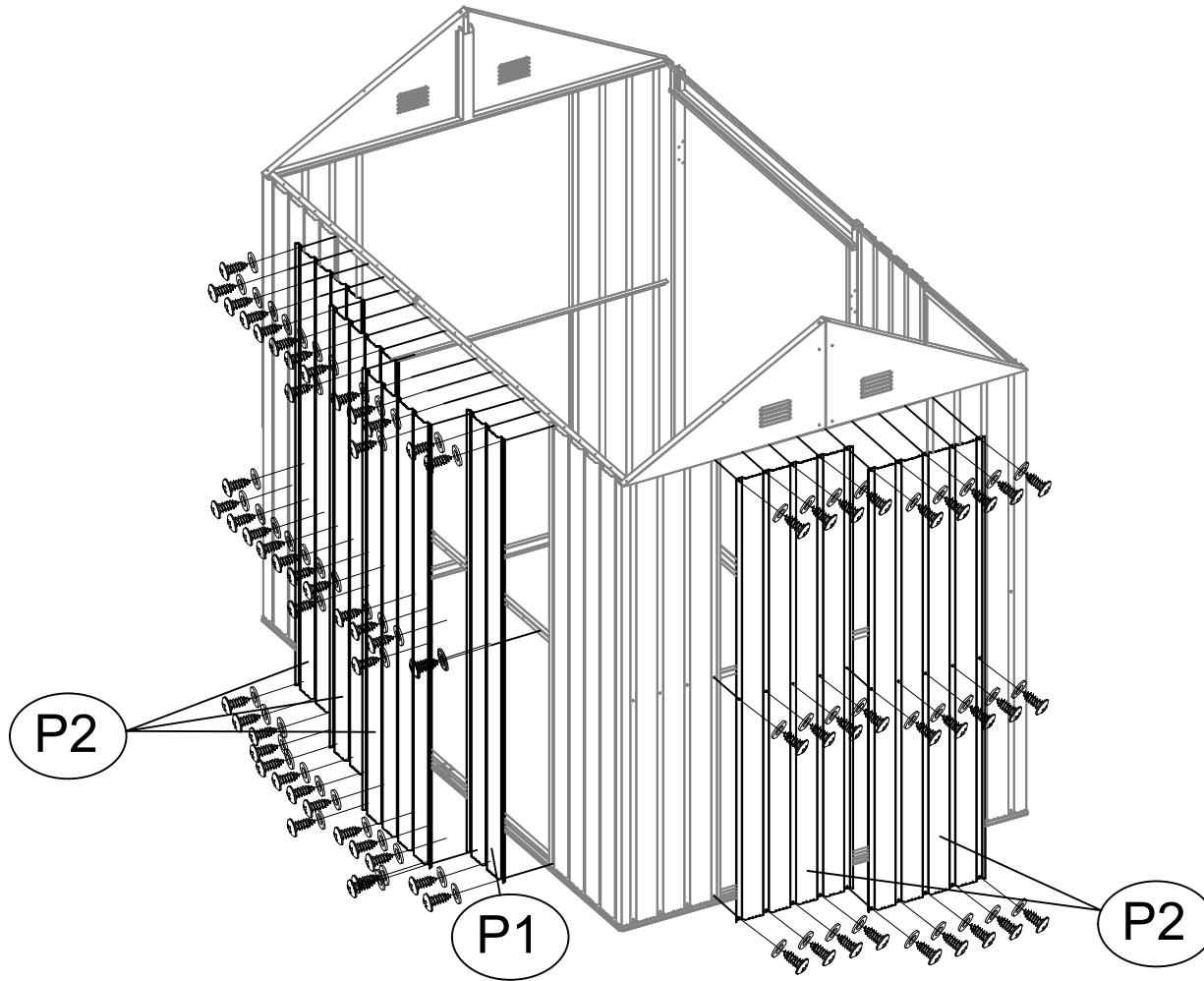
P1 x1

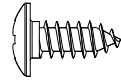
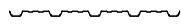
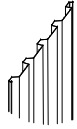


F1 x72



S3 x72

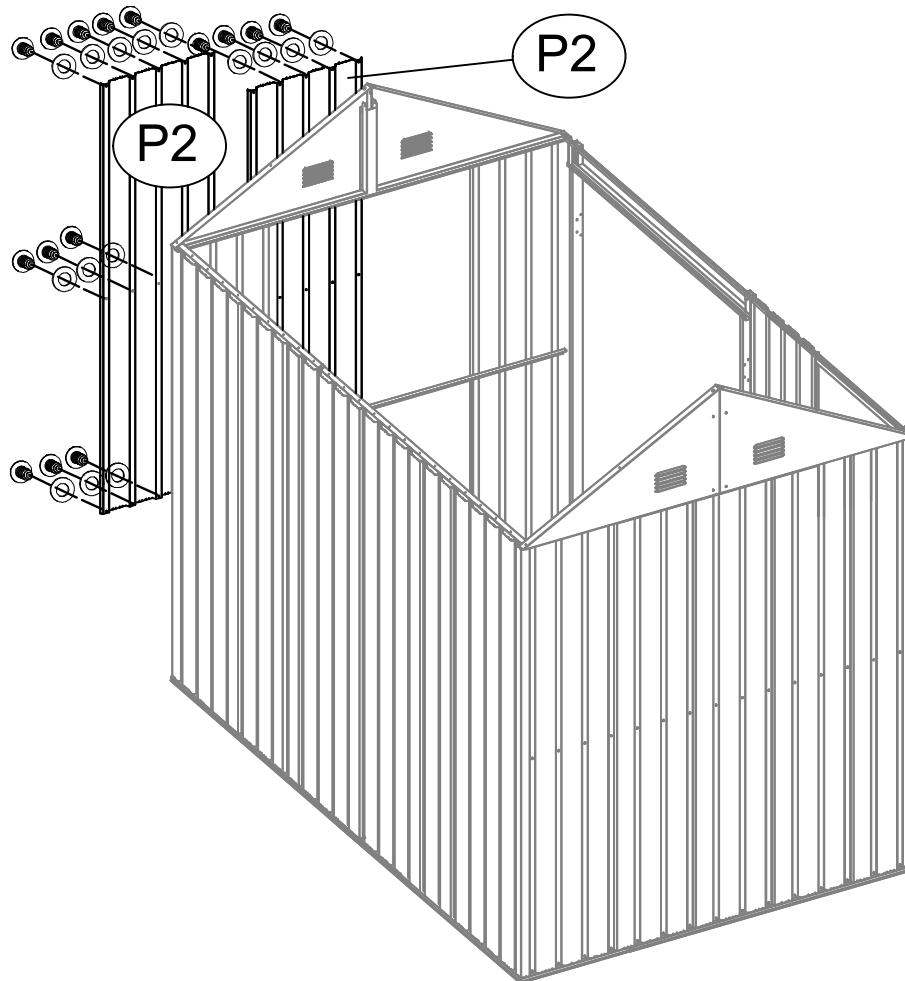


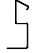




P2 x2

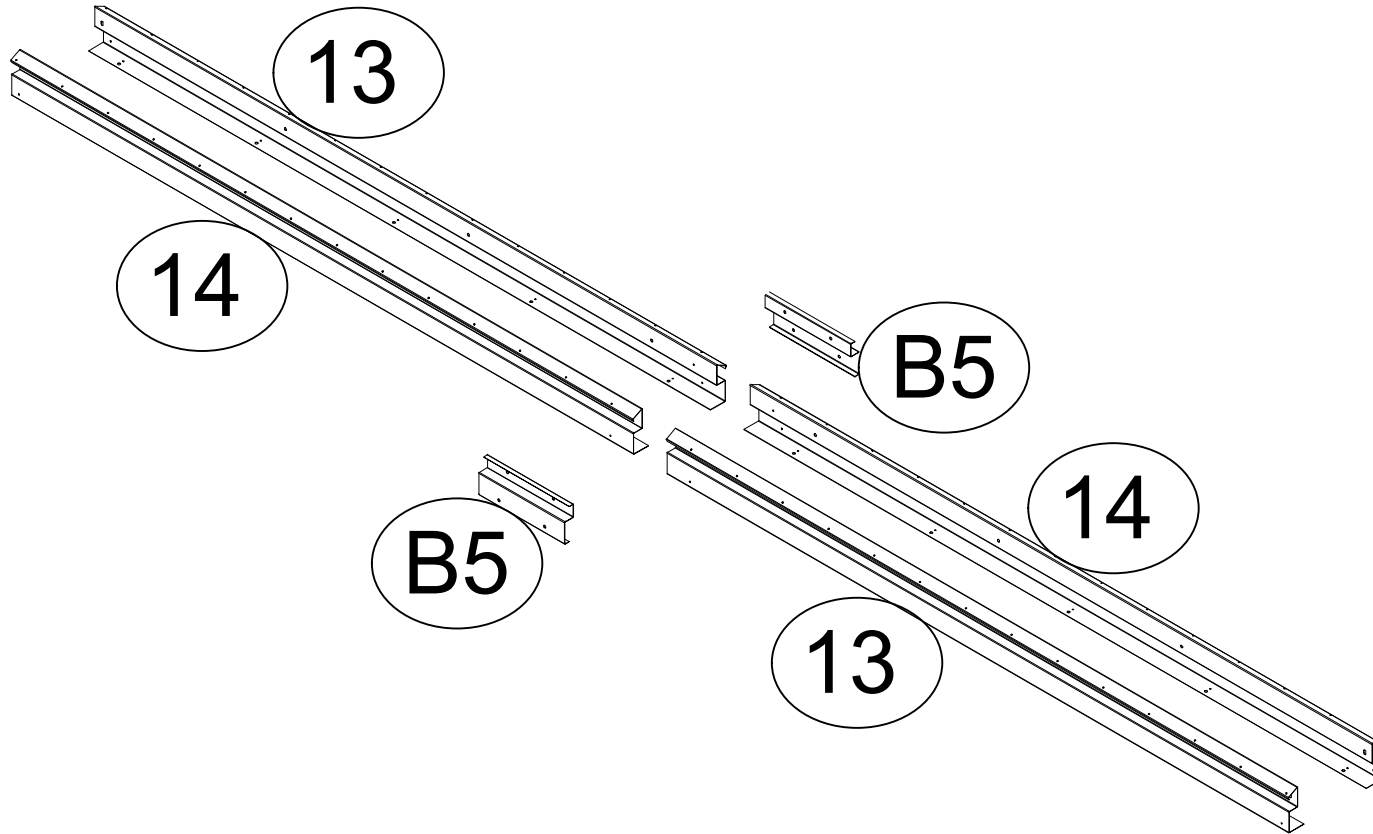
F1 x27

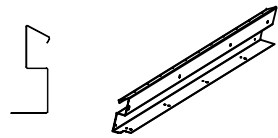
S3 x27



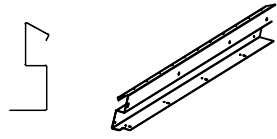
NO.	PART	Qty.
13		2
14		2
B5		2

Top Support Exploded View

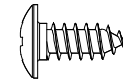




13 x2



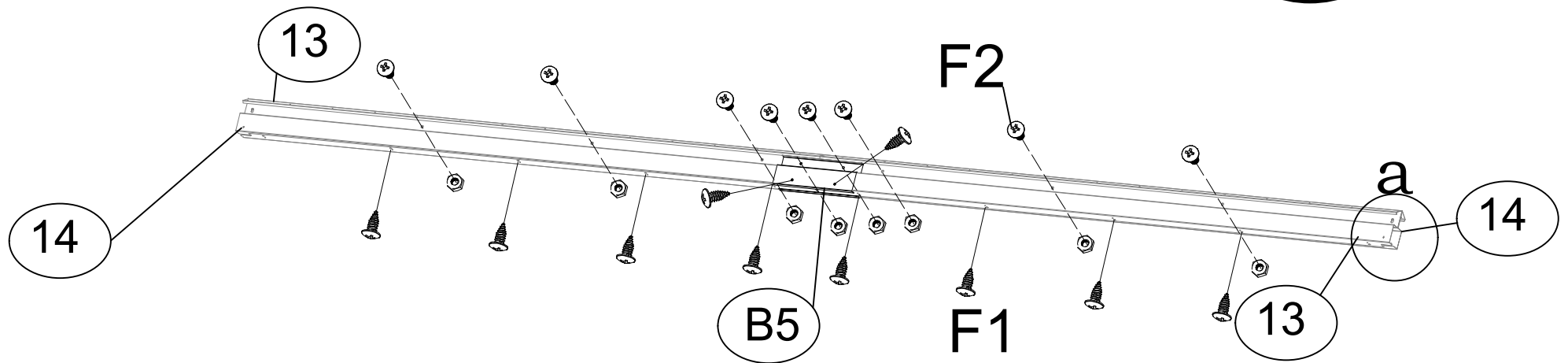
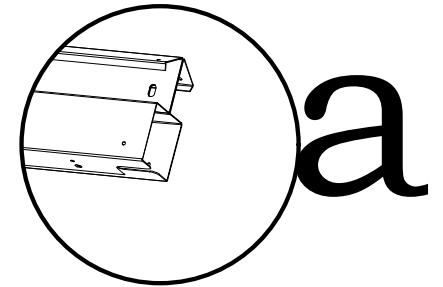
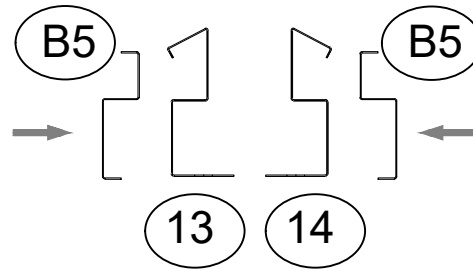
14 x2



F1 x8

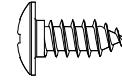


F2 x8

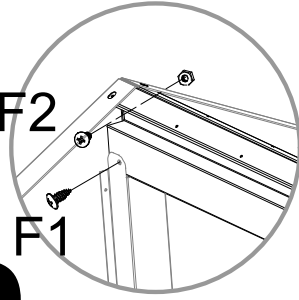
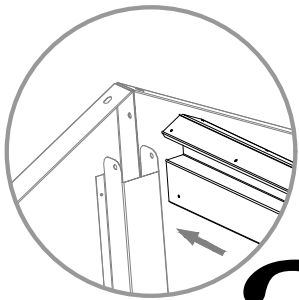




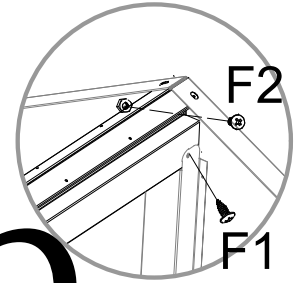
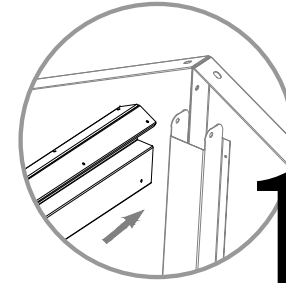
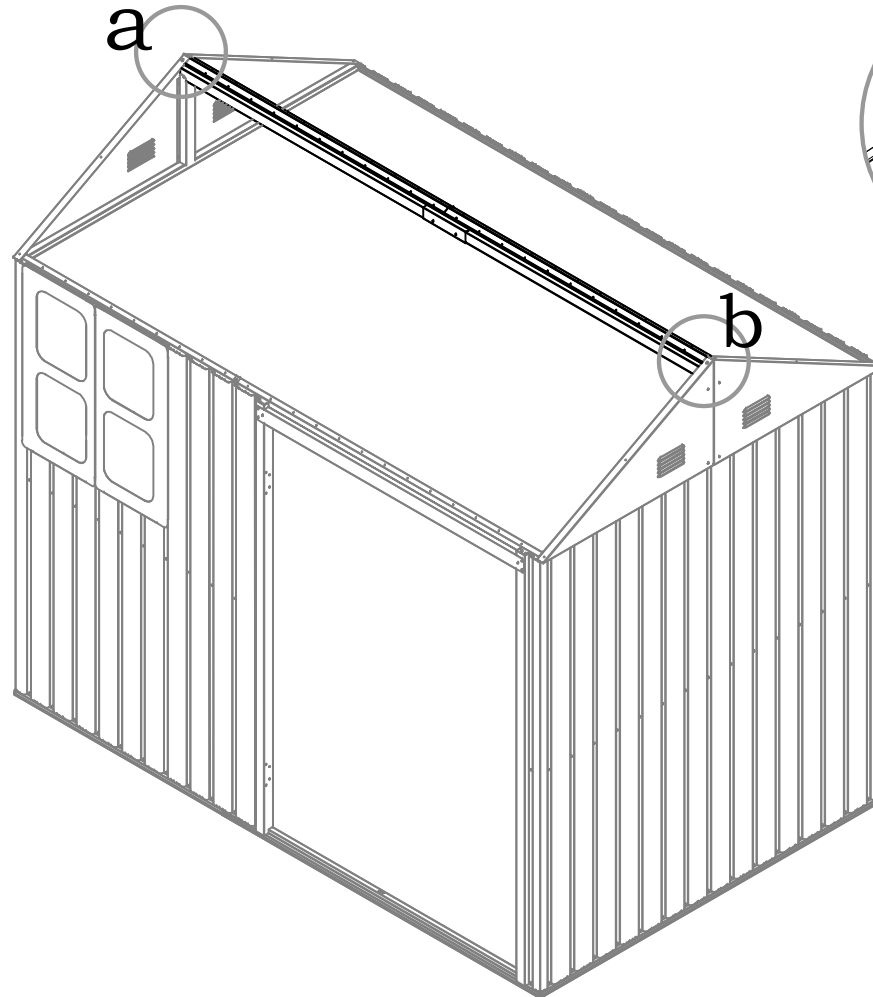
F2 x2



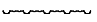

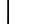

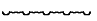


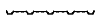

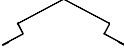
F1 x4



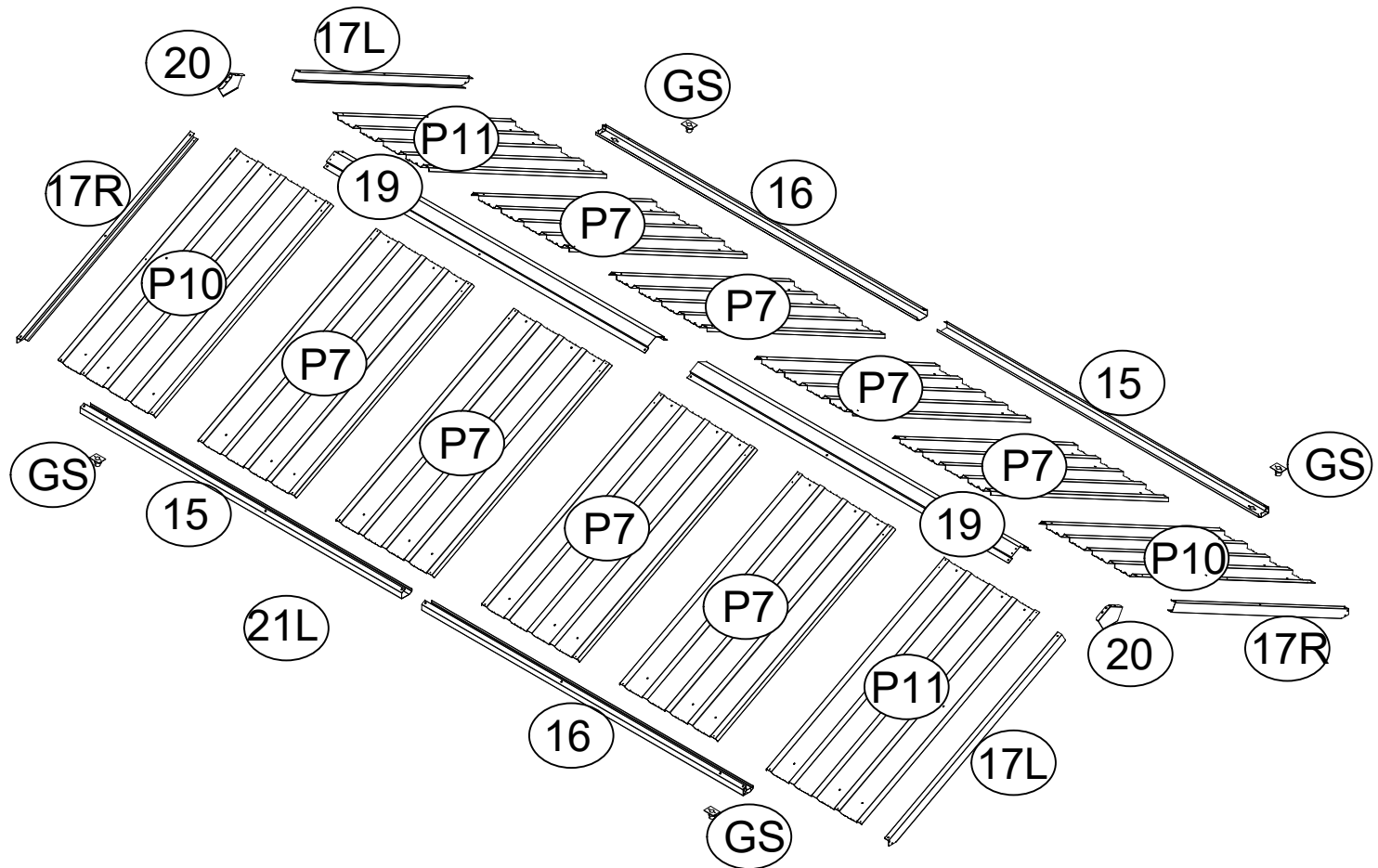
a

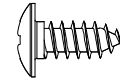
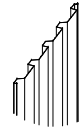
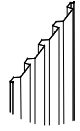


b

NO.	PART	Qty.	NO.	PART	Qty.	NO.	PART	Qty.	NO.	PART	Qty.
P10		2	15		2	17R		2	GS		4
P11		2	16		2	17L		2			
P7		8	20		2	19		2			

The Roof Exploded View



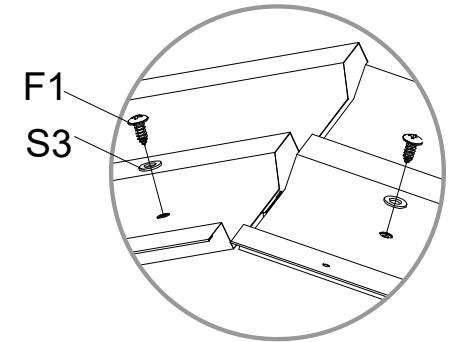
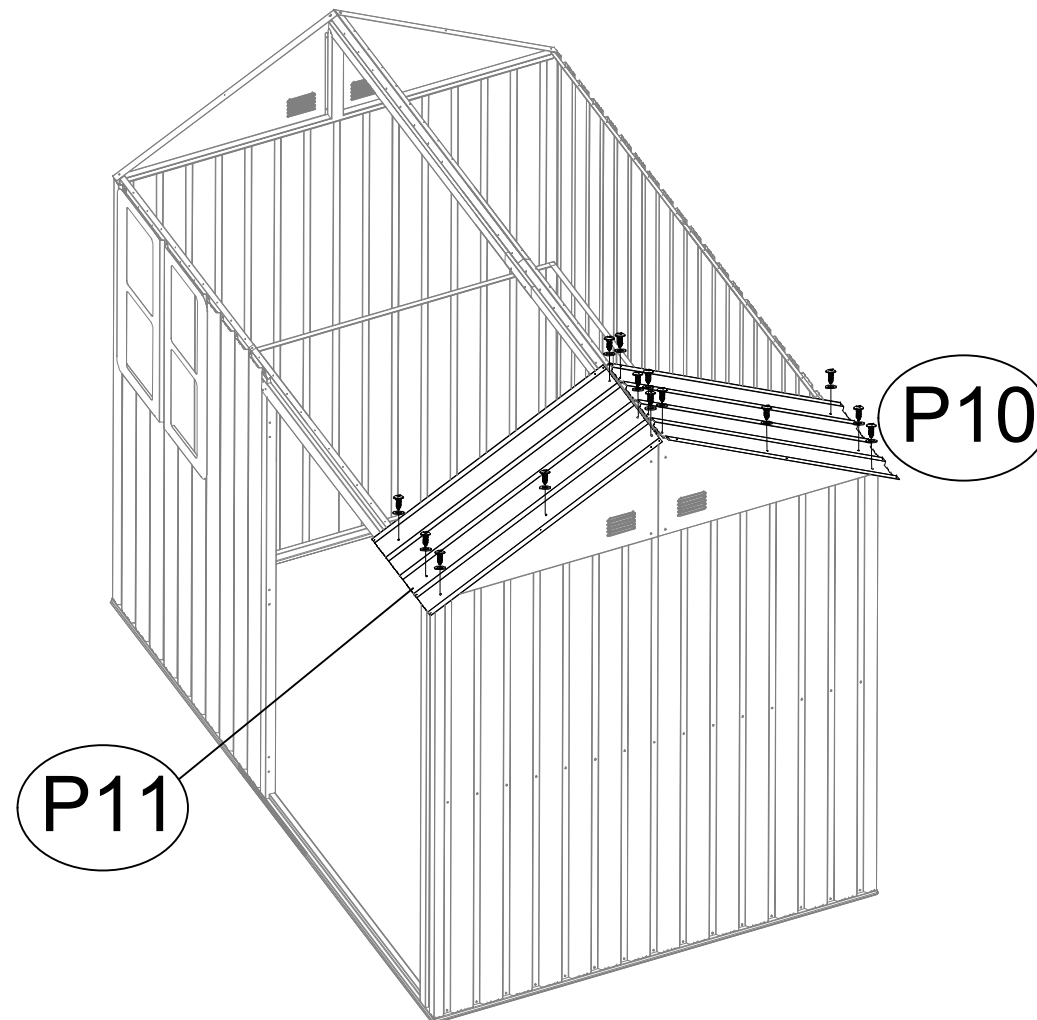


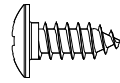
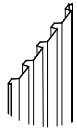
P10 x1

P11 x1

F1 x14

S3 x14

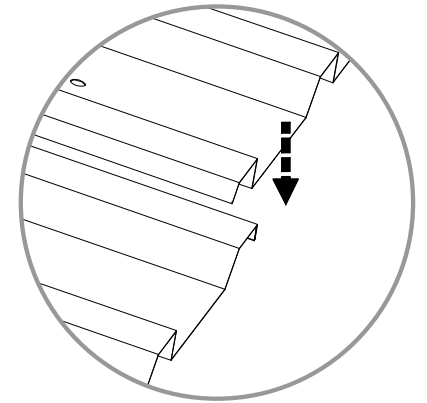
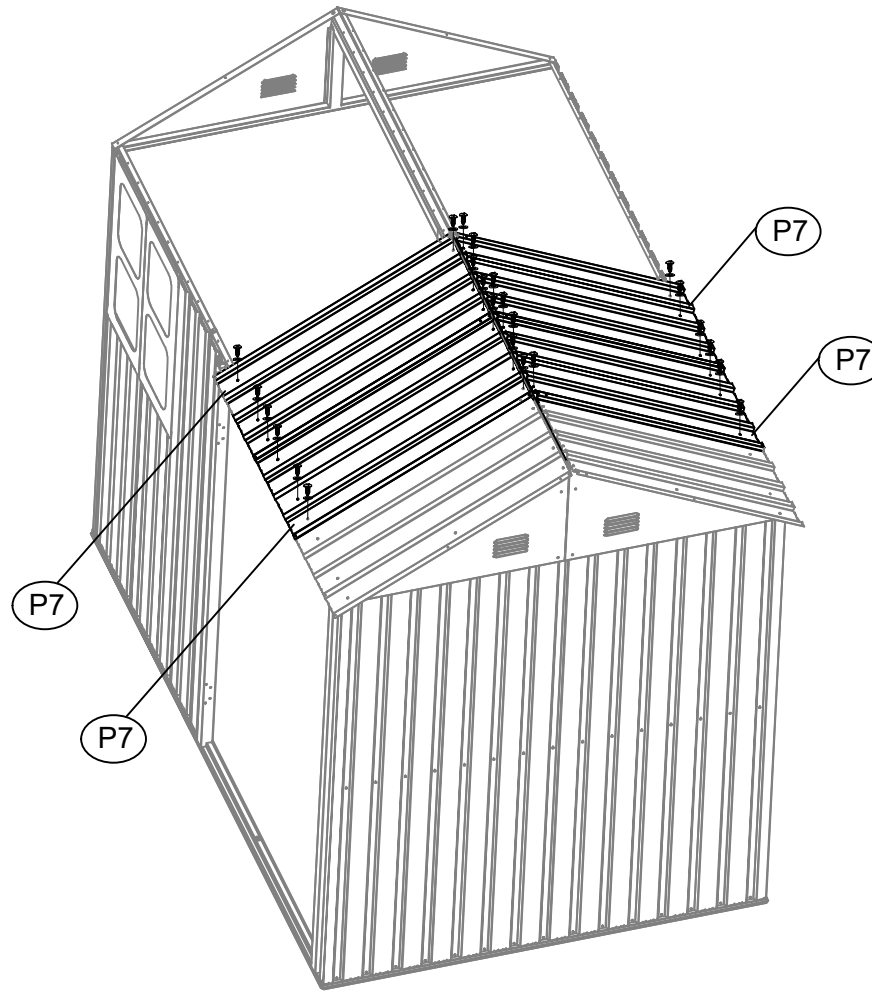
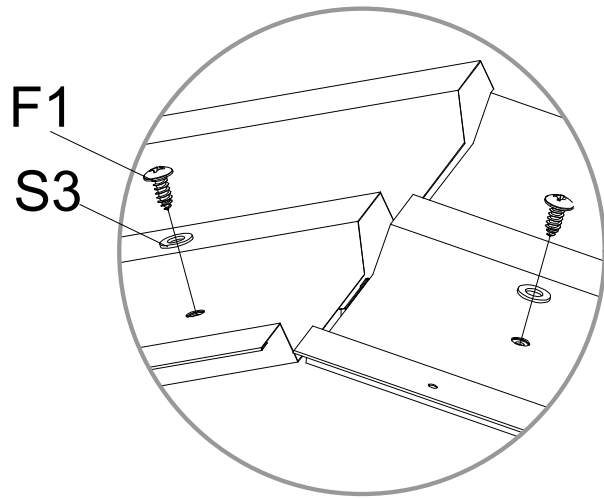




P7 x4

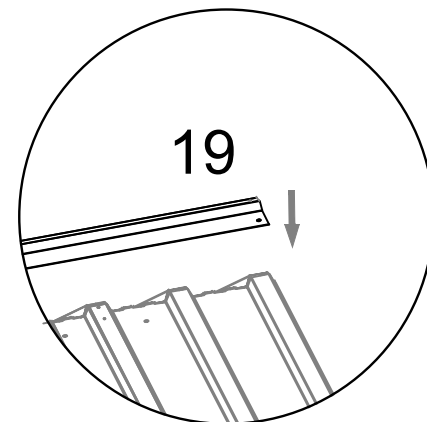
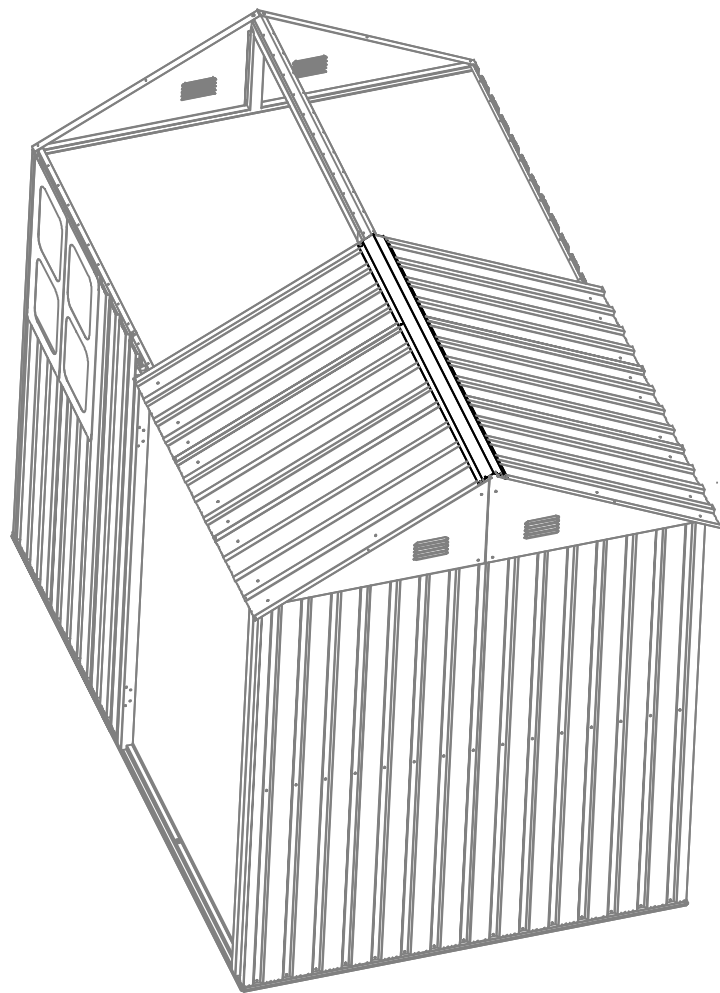
F1 x12

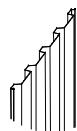
S3 x12



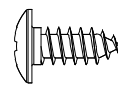


19 x1





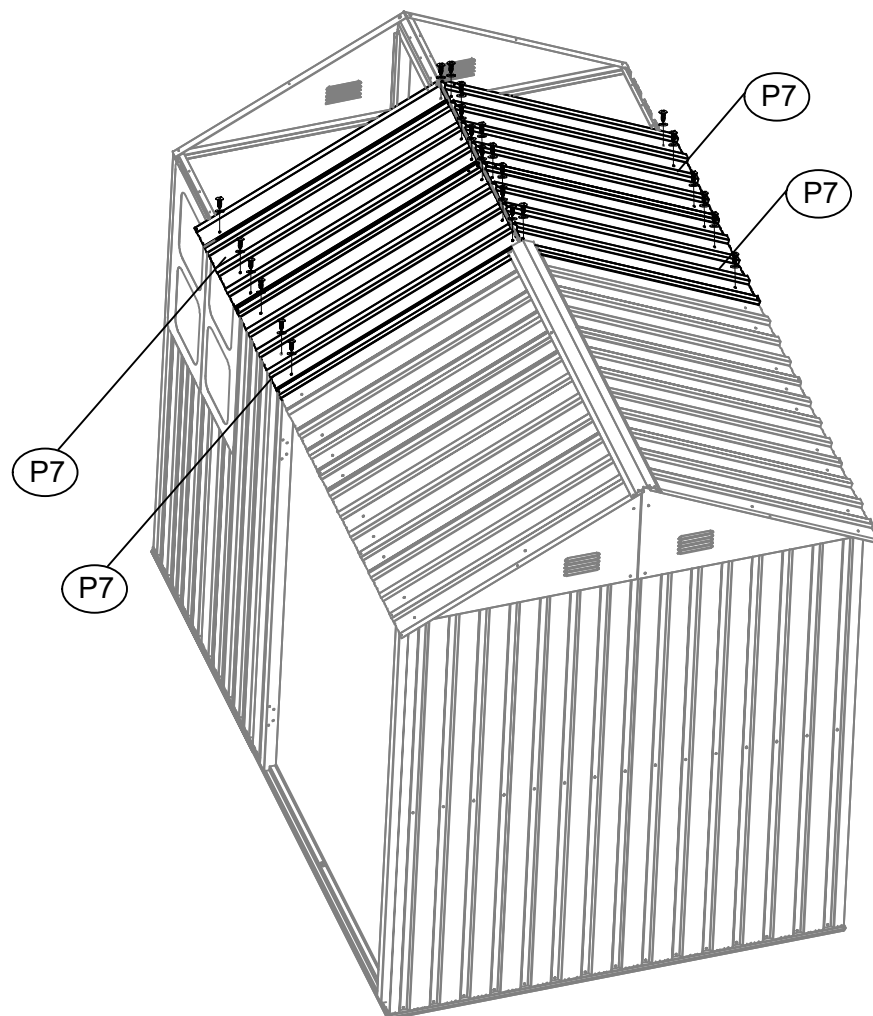
P7 x4

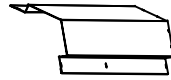
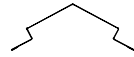


F1 x12

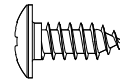


S3 x12





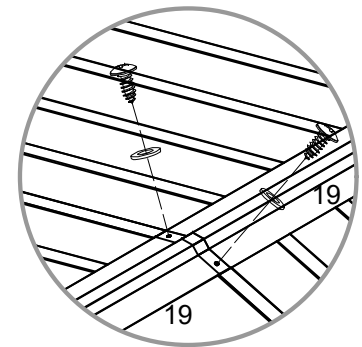
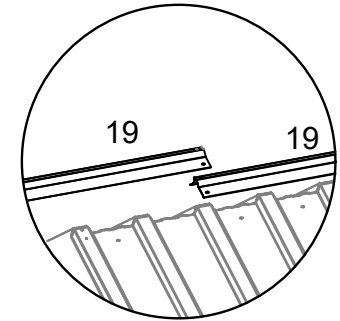
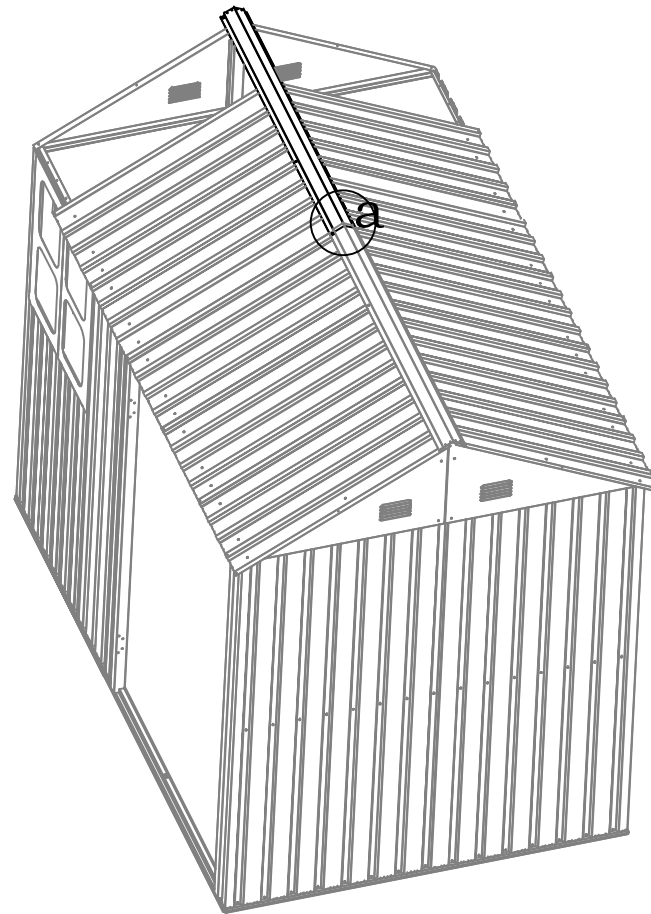
19 x1



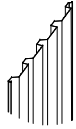
F1 x2



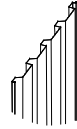
S3 x2



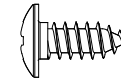
a



P10 x1



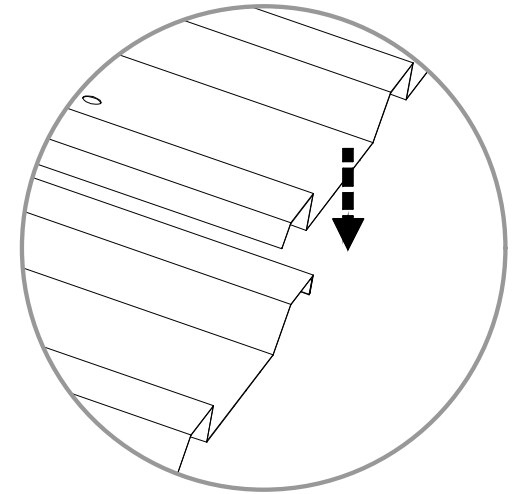
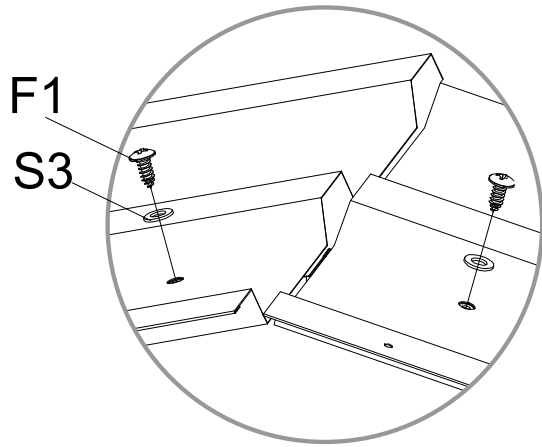
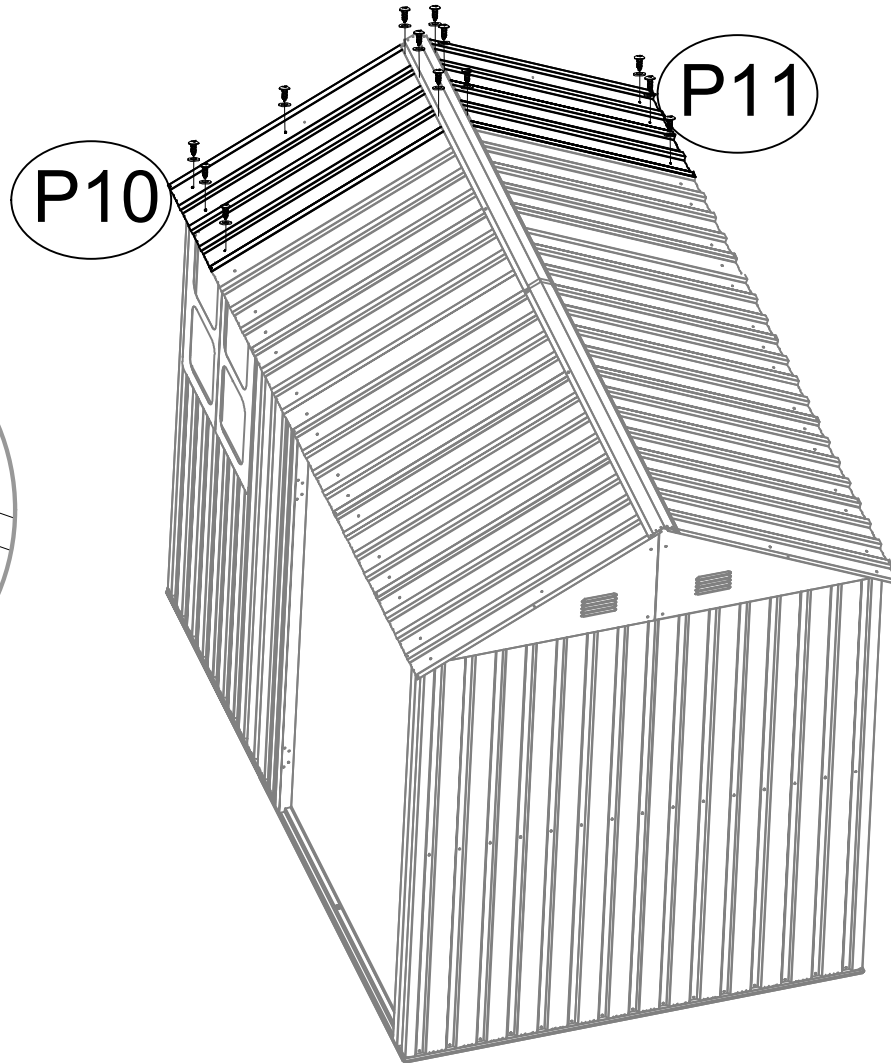
P11 x1

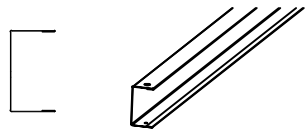


F1 x14

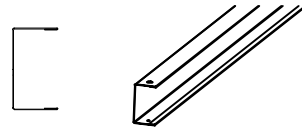


S3 x14

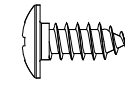




17L x2



17R x2

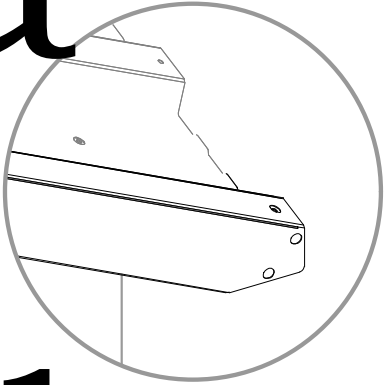


F1 x8

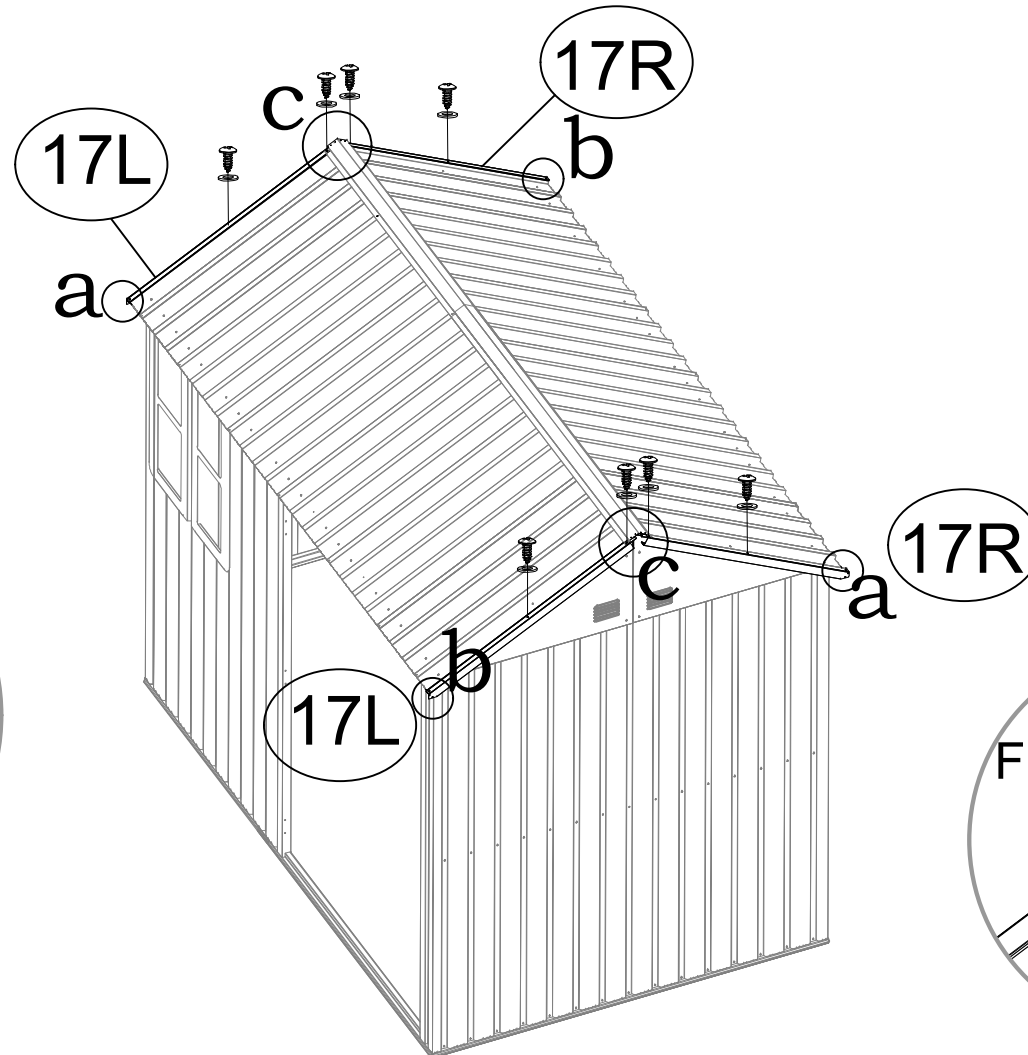
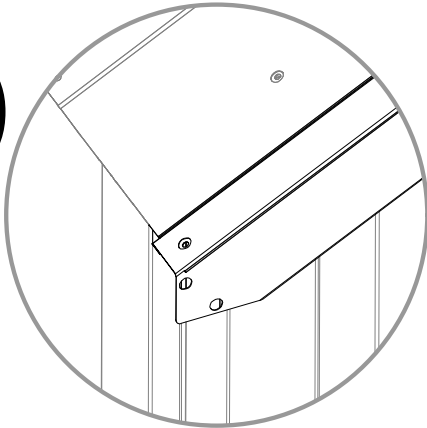


S3 x8

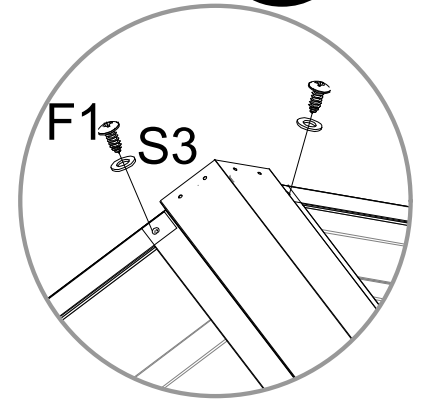
a

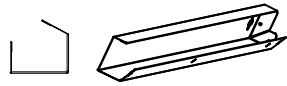


b

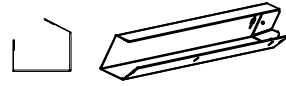


C

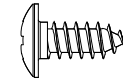




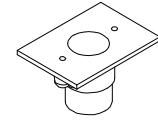
15 x2



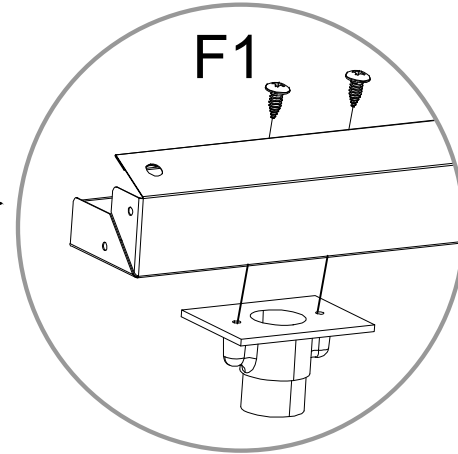
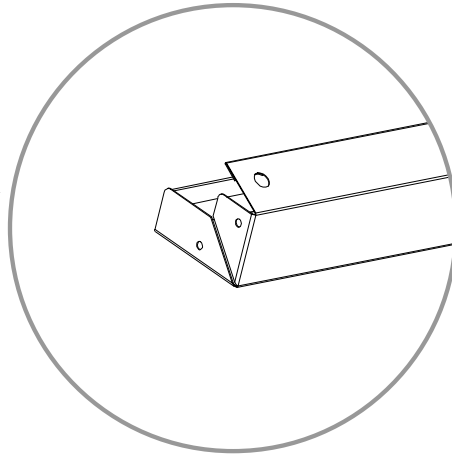
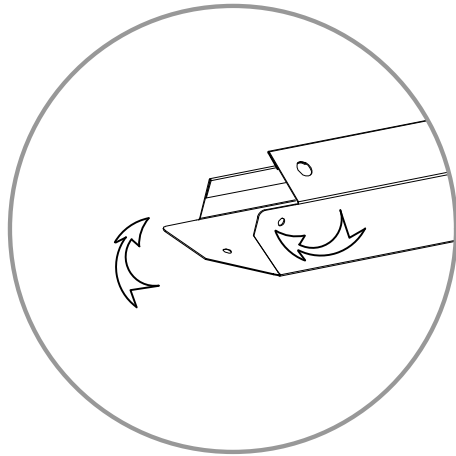
16 x2



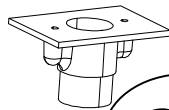
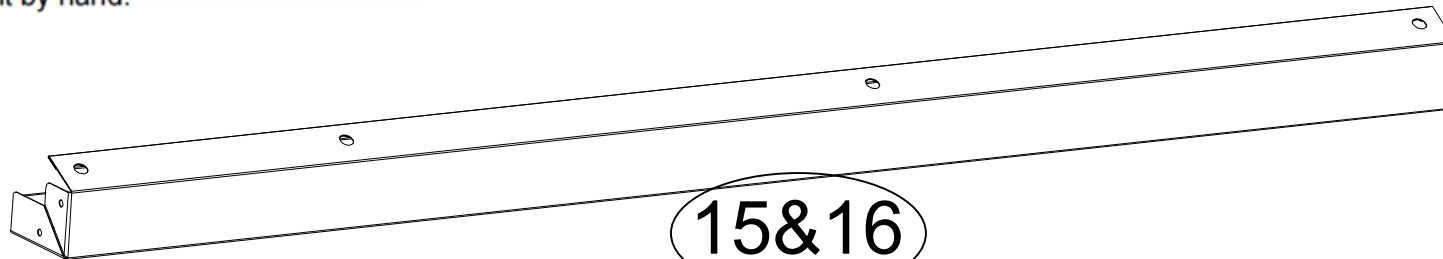
F1 x8



GS x4

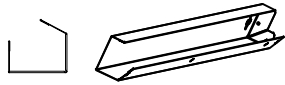


Accessories need to be pressed and bent by hand.

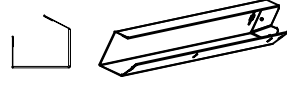


GS

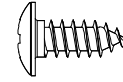
x4



15 x2



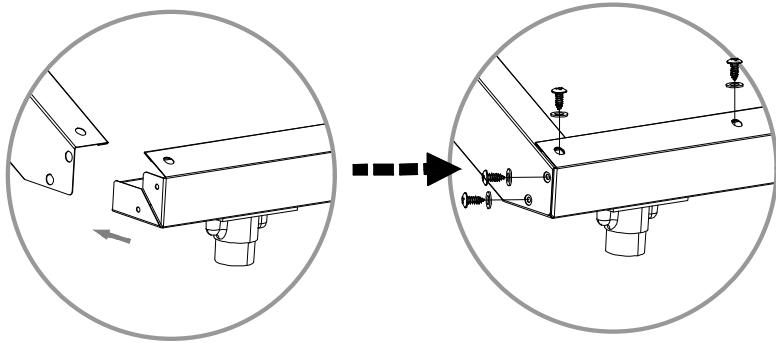
16 x2



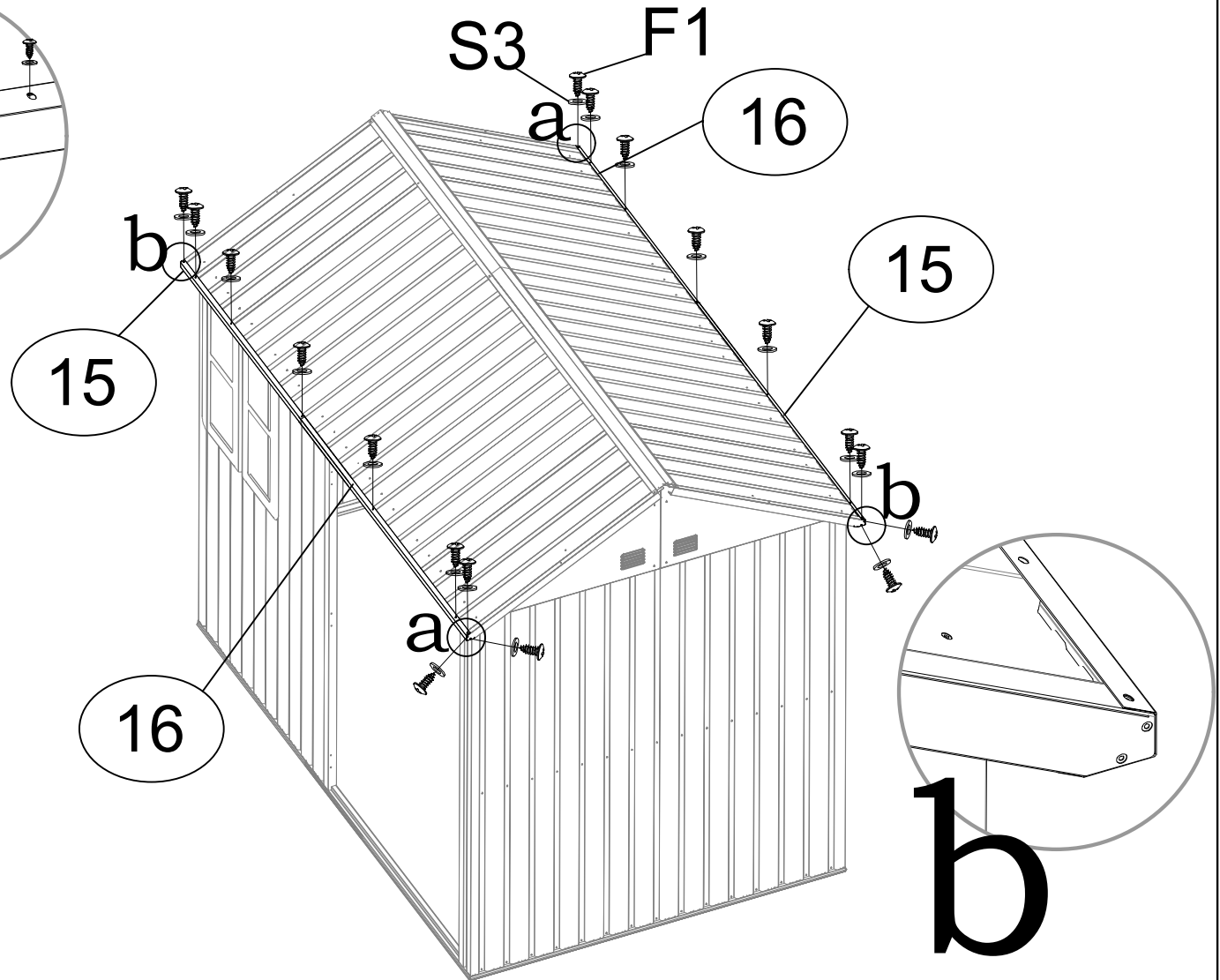
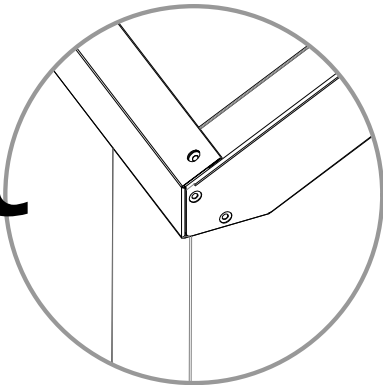
F1 x22



S3 x22



a



15

16

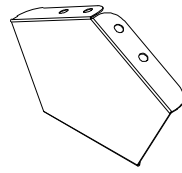
S3

F1

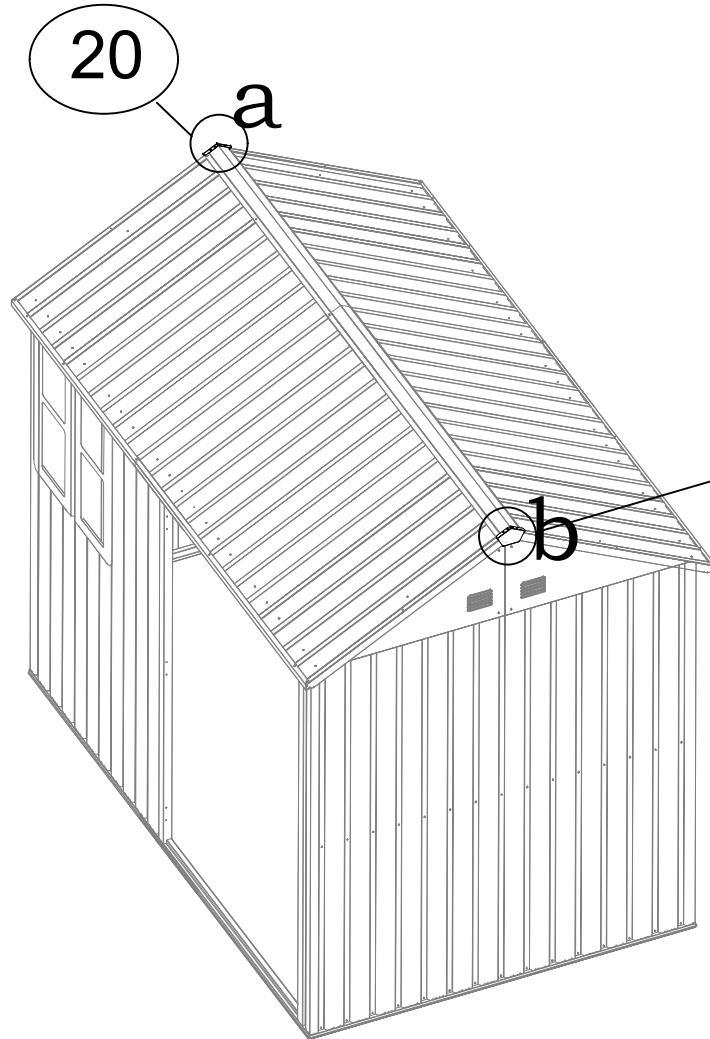
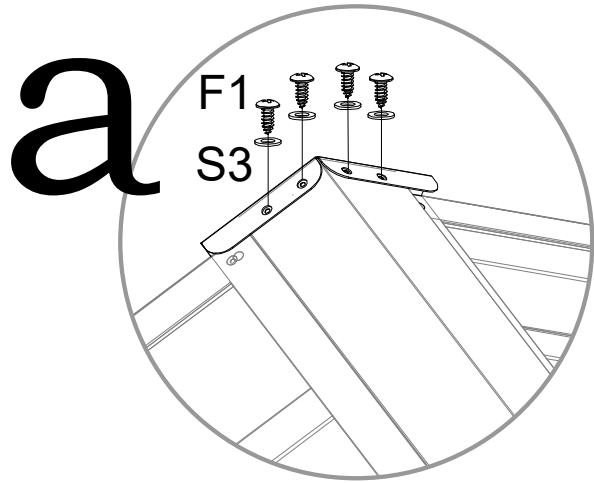
16

15

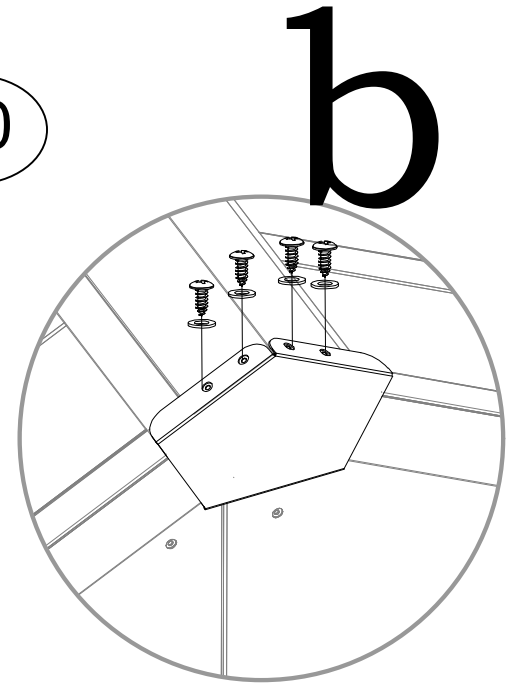
b

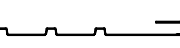

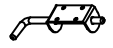
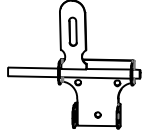
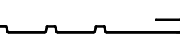

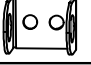
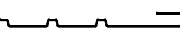



20 x2

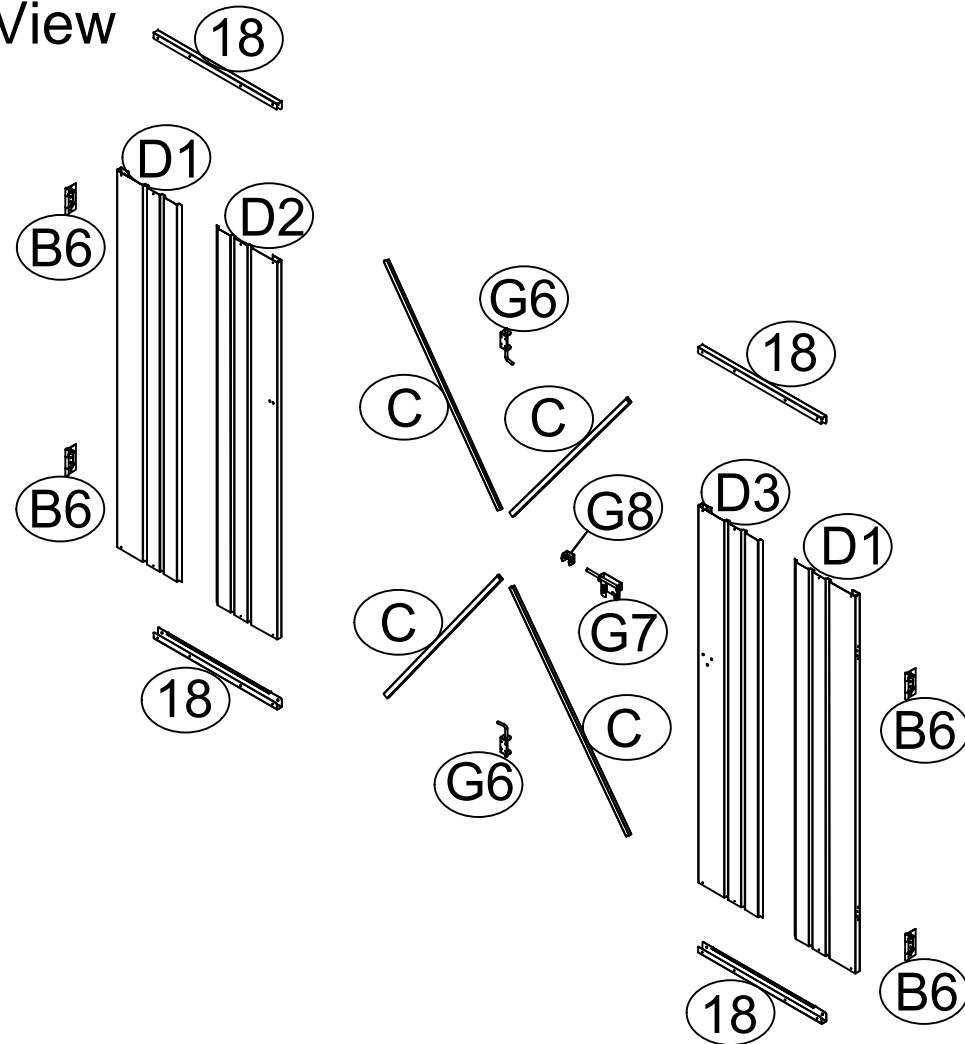


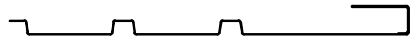
20



NO.	PART	Qty.	NO.	PART	Qty.	NO.	PART	Qty.	NO.	PART	Qty.
D1		2	18		4	G6		2	G7		1
D2		1	C		4	G8		1			
D3		1	B6		4						

The Door Exploded View

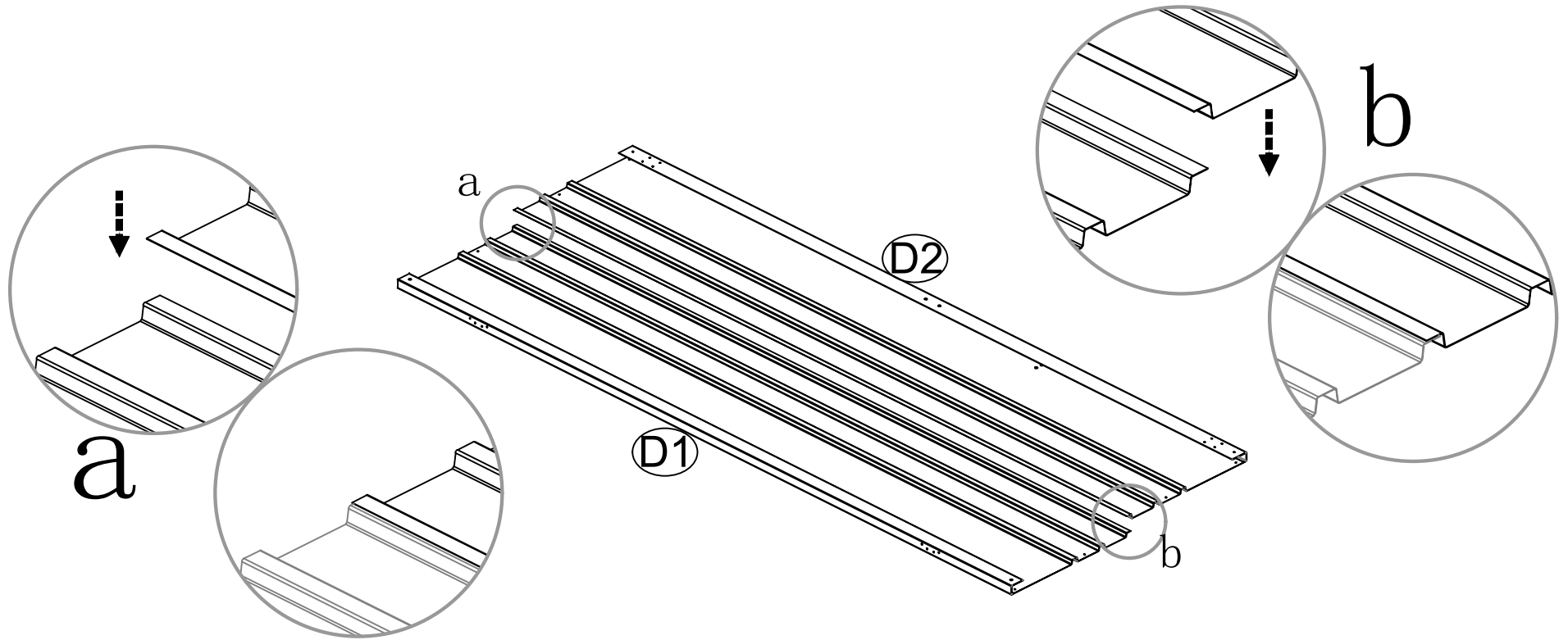


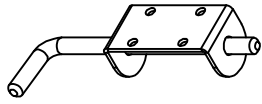


D1 x1

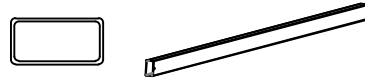


D2 x1

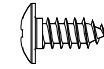




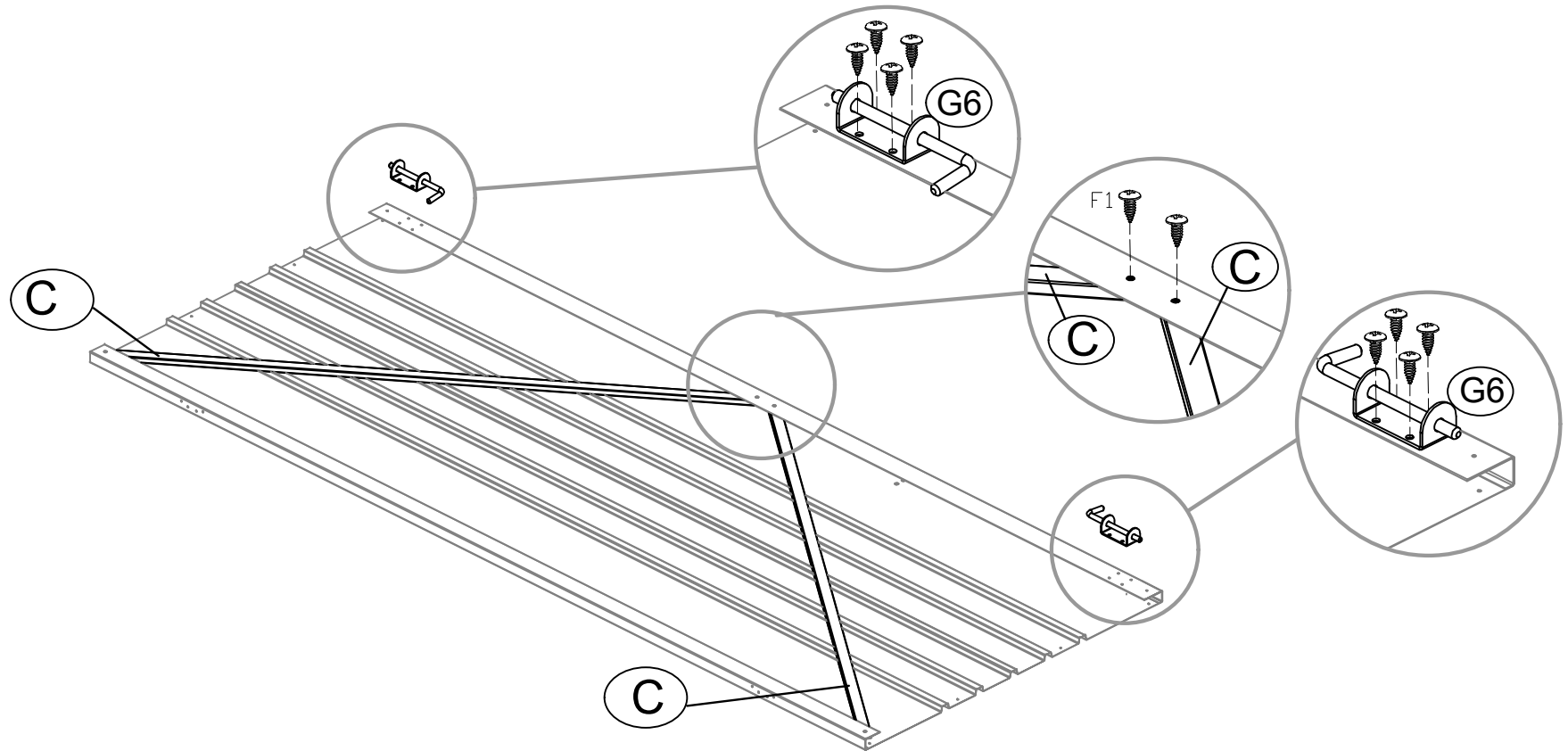
G6 x2

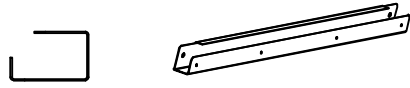


C x2

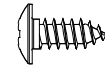


F1 x10

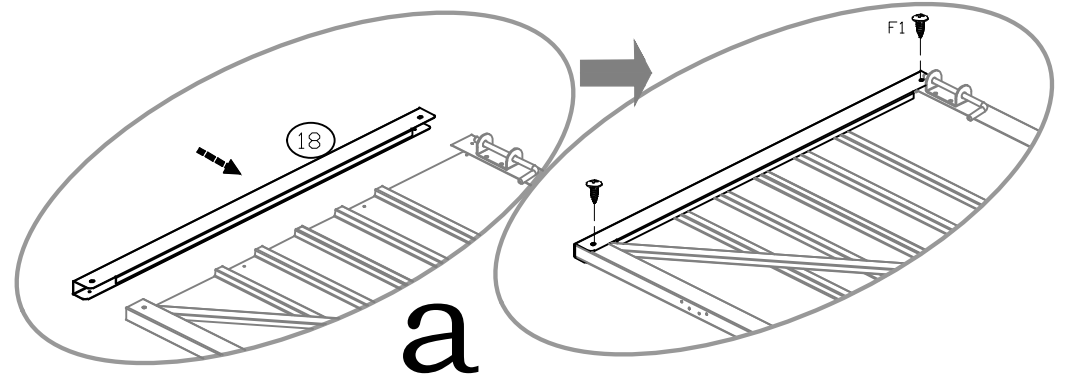
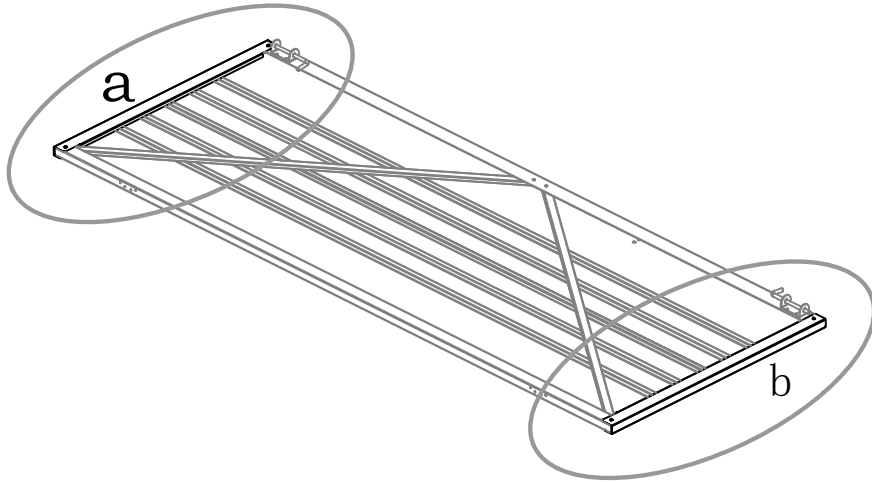




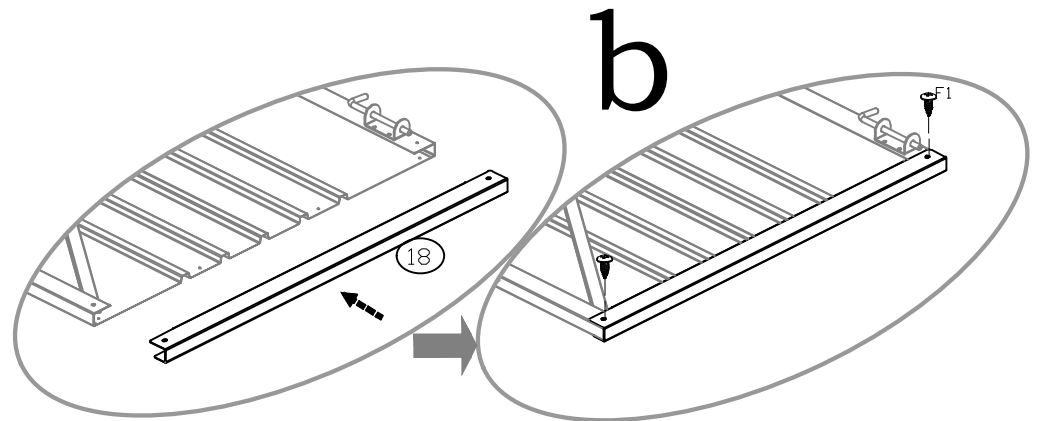
18 x2

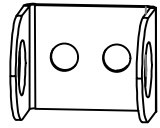


F1 x4

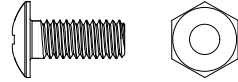


! The accessorie 18 are stuck on the outside.

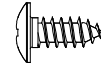




G8 x1



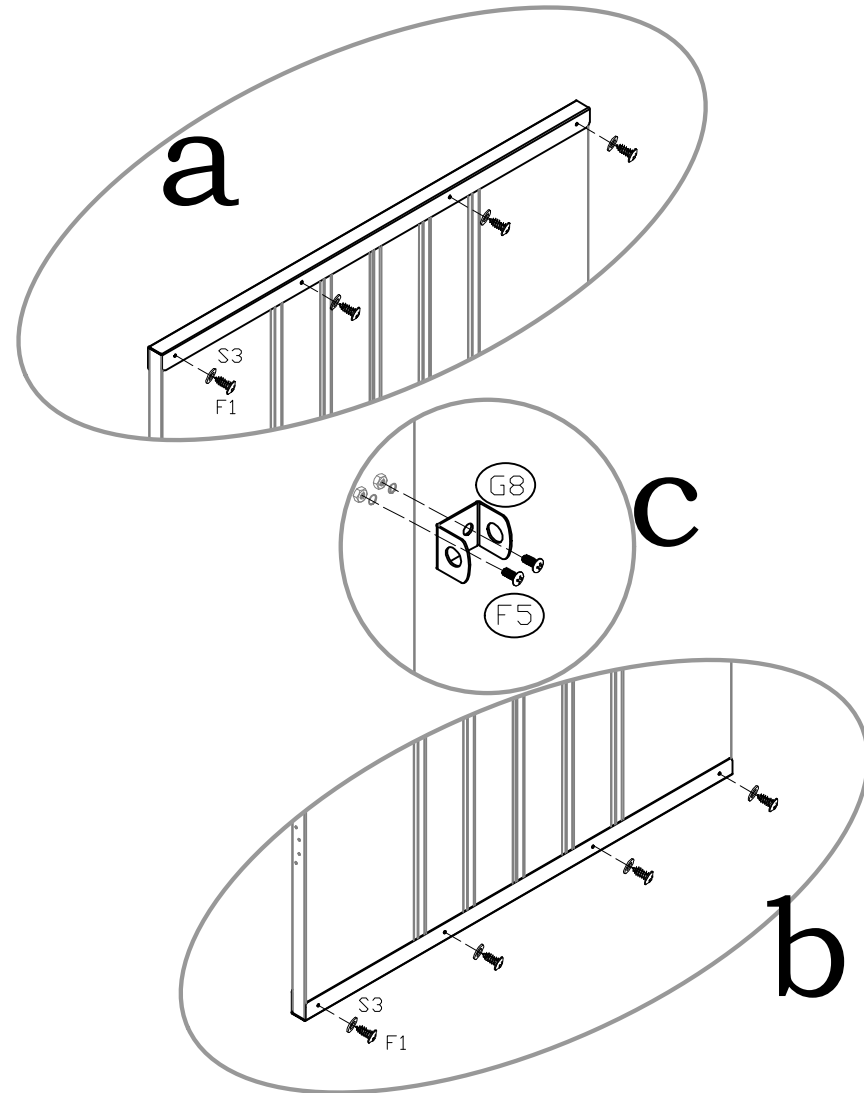
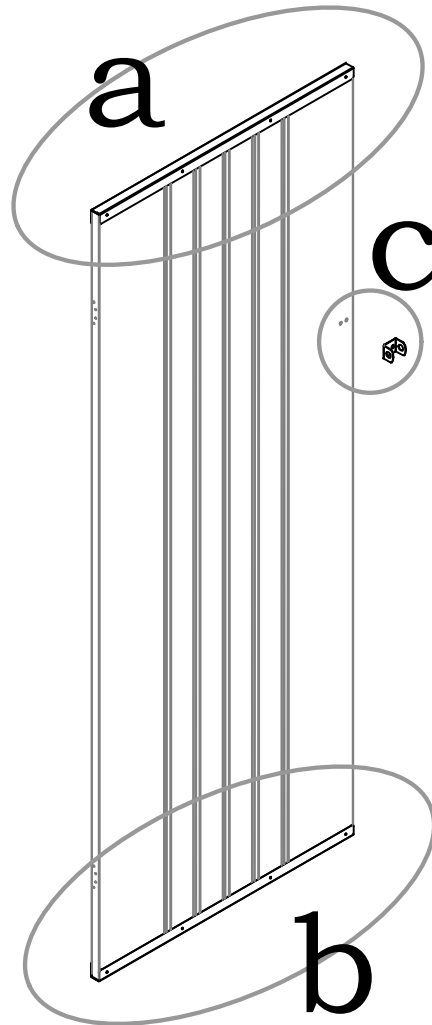
F5 x2

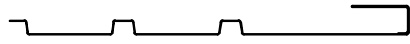


F1 x8

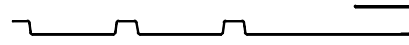


S3 x8

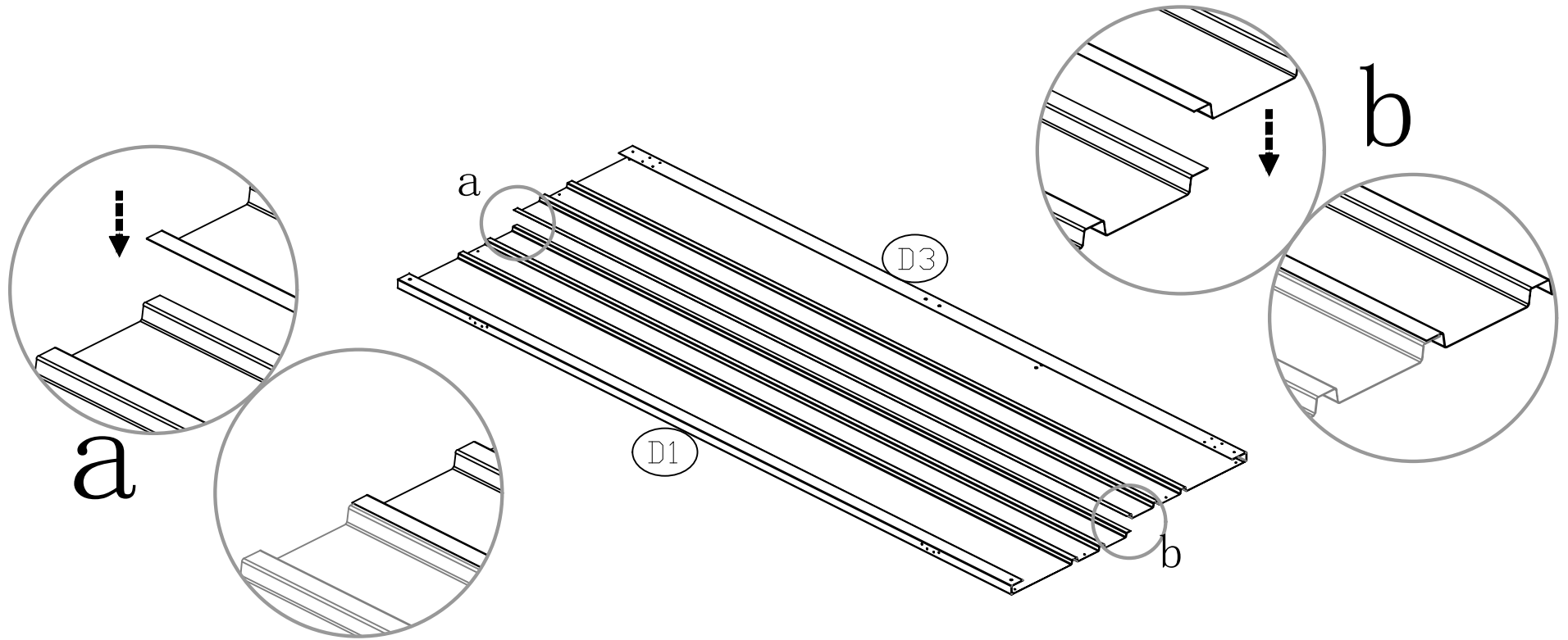




D1 x1

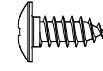


D3 x1

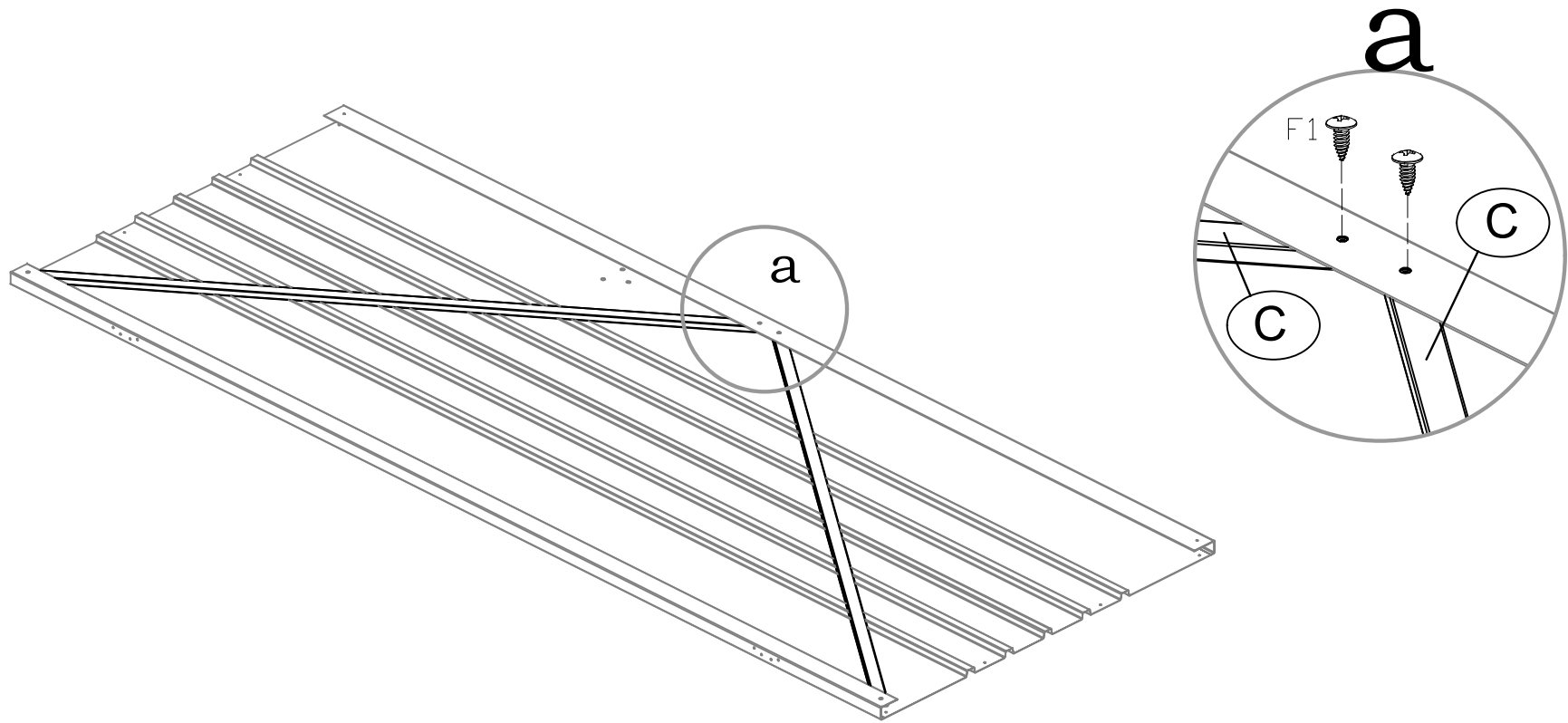


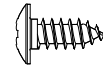


C x2



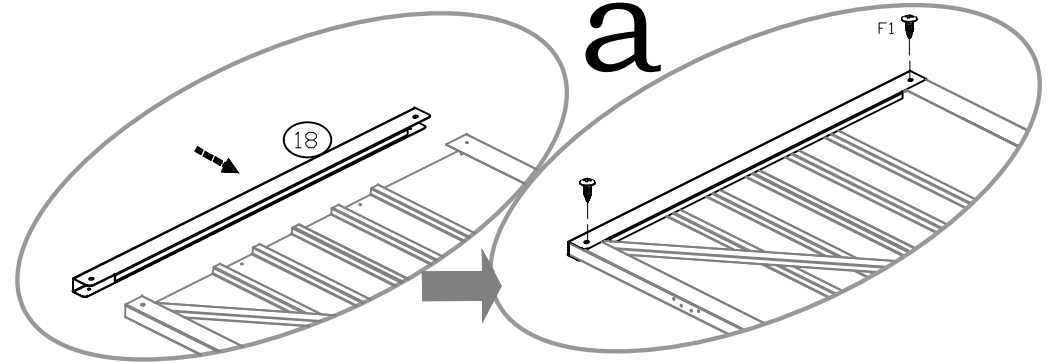
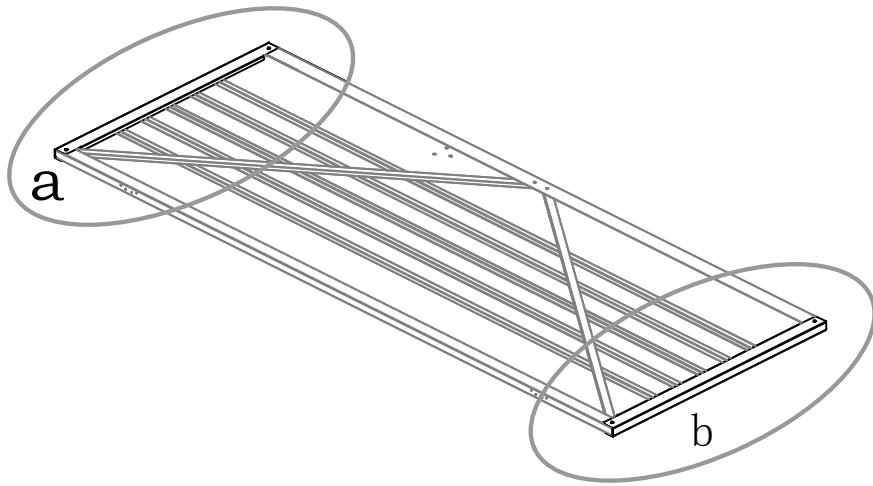
F1 x2



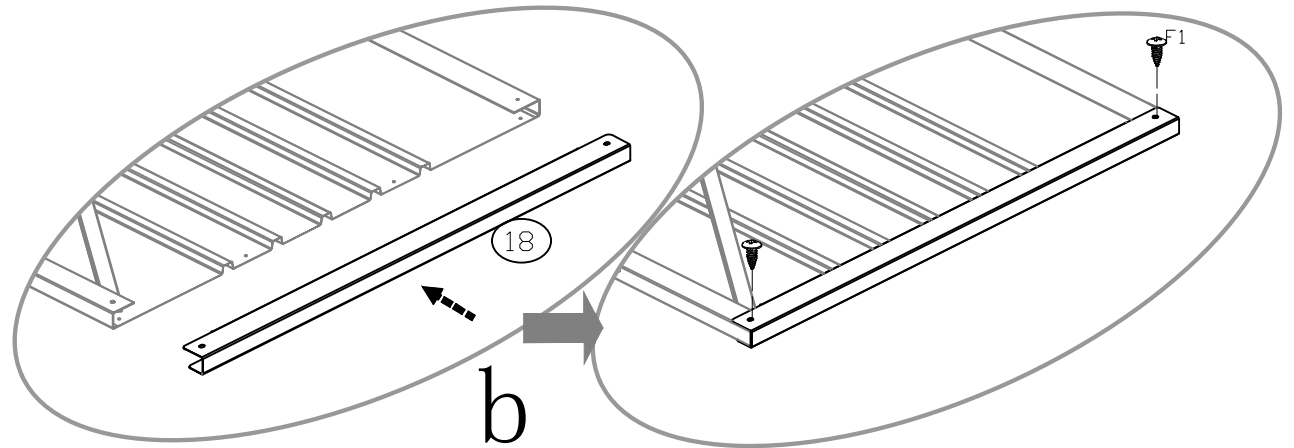


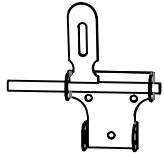
18 x2

F1 x4

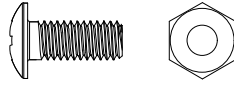


! The accessories 18 are stuck on the outside.

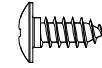




G7 x1



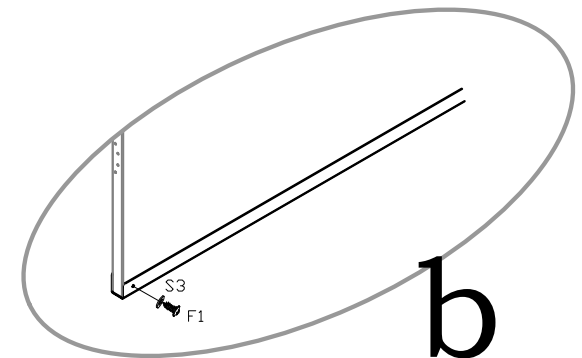
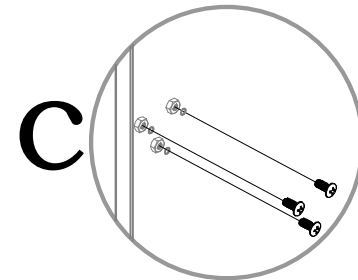
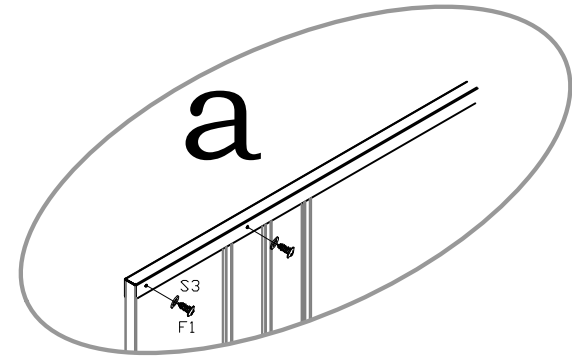
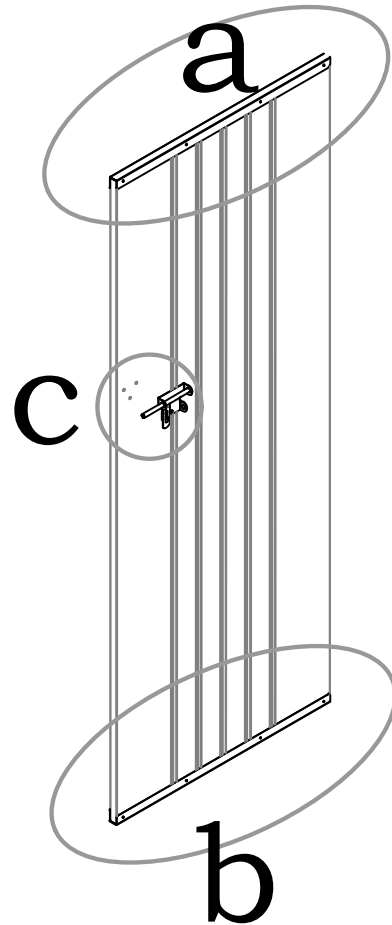
F5 x3

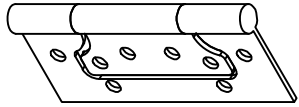


F1 x8

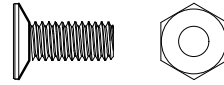


S3 x8



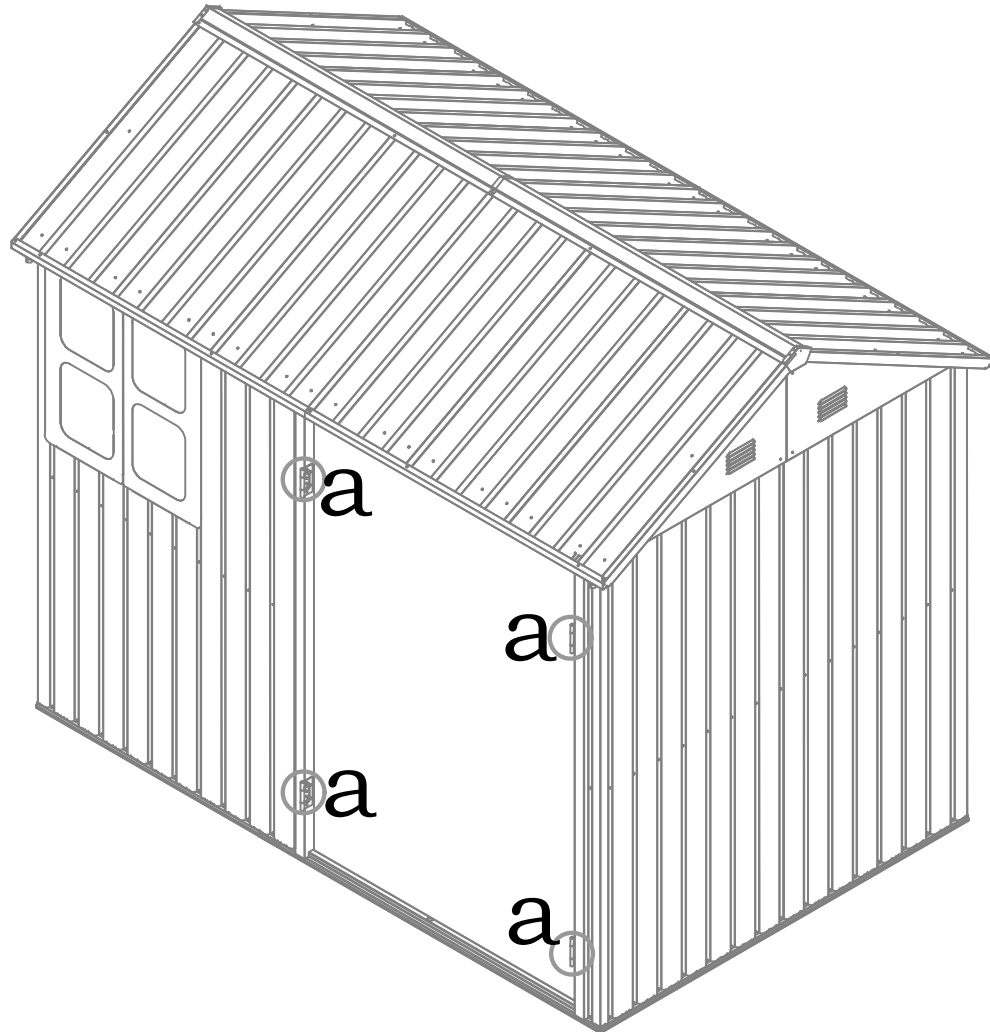
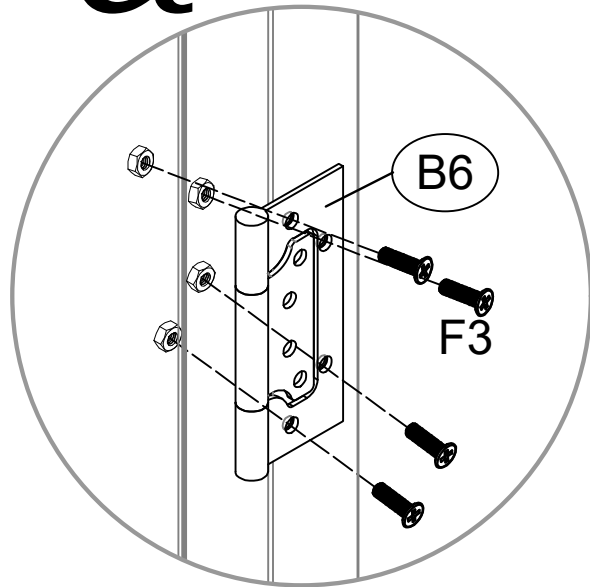


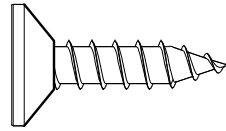
B6 x4



F3 x16

a





F4 x16

