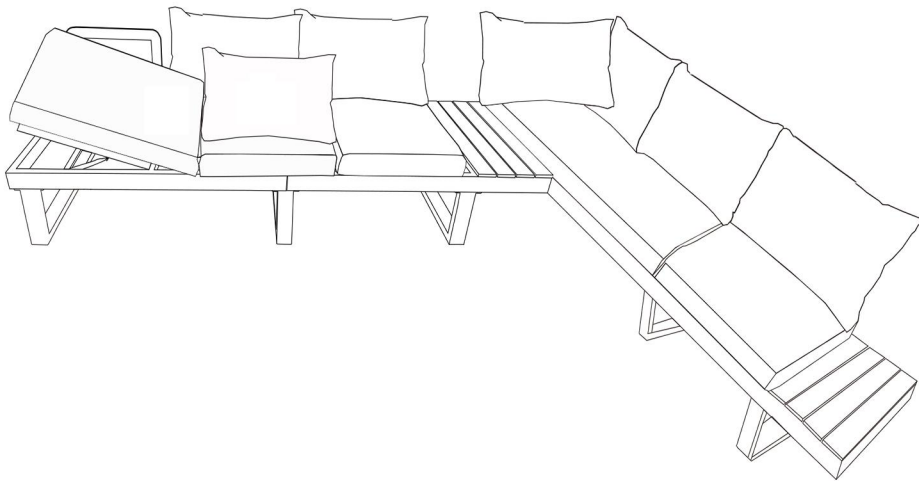


SOFA

Assembly Instruction

SKU: 1007110153B+1007110154B



Any question please feel free to contact us:
support@papajet.net TEL:901-347-2181 We
will provide further assistance within 24 hours.

Dear customers,

Thank you for purchasing our product. Please read this instruction manual carefully after receiving this product. It will help you assemble this product quickly, safely, and correctly. You can keep this manual for future reference.

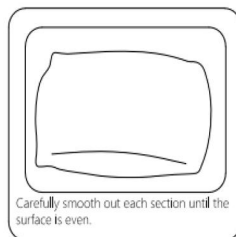
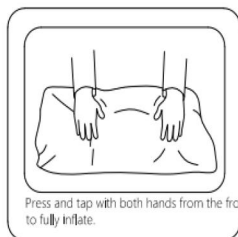
Safety and care advice

Important—Please read these instructions fully before starting assembly

Thanks for your purchase. Before the assembly please follow the instructions to check if all the spare parts and screws are intact.

- Considering the size and weight of the sofa, we recommend two adults to assemble the sofa, on a carpeted or padded area, in the room that it is intended for. Approximate assembly time: 30 minutes.
- Please do not throw away any of the packaging or the instruction until you have checked all the components and hardware and the furniture is fully assembled. Please ensure that the packaging is disposed in a safe and environmentally friendly way.
- Keep all components and packaging out of reach of children or animals to avoid the risk of choking or suffocation.

Your cushions come vacuum packed and sealed for shipping. To restore the cushion's original shape, follow the steps below.

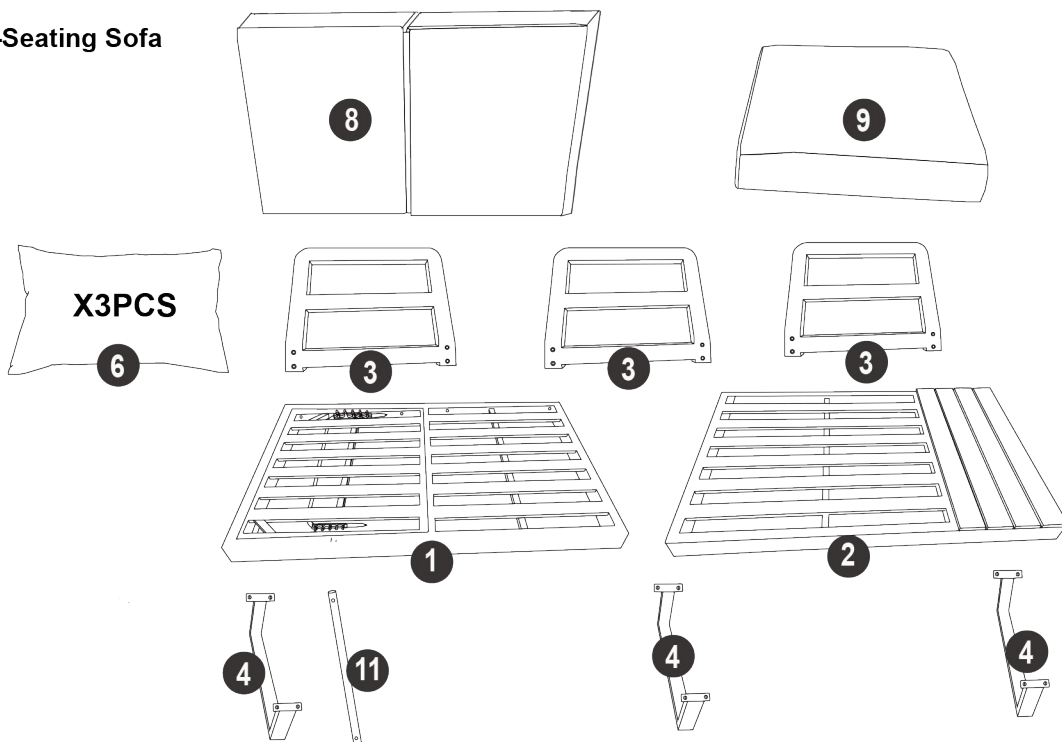


After packing up, place them in somewhere dry and ventilated. After about 72-96 hours, it can be restored to the best use condition.

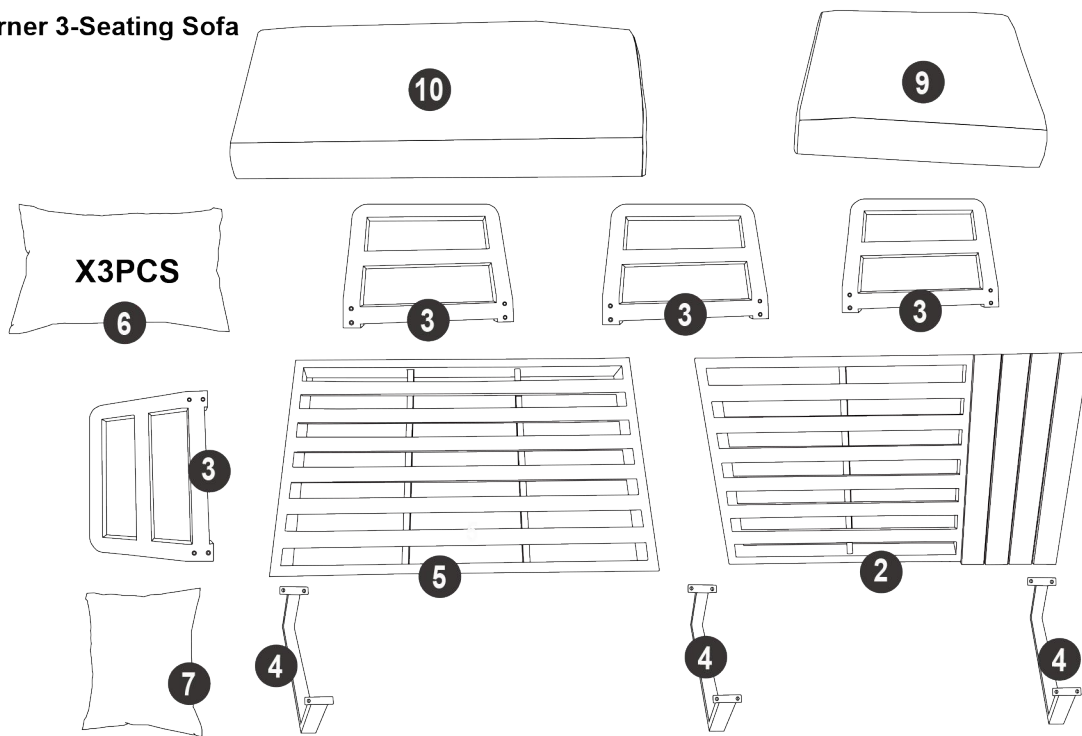
COMPONENTS

Ensure the following components are in the box before proceeding with assembly:

3-Seating Sofa



Corner 3-Seating Sofa



PART LIST

1	2-Seating	x1	7	Back Small Cushion	x1
2	1-Seating	x2	8	2-Seat Cushion	x1
3	Back Frame	x7	9	1-Seat Cushion	x2
4	Chair Leg	x6	10	Big Seat Cushion	x1
5	Corner 2-Seating	x1	11	Long Tube	x1
6	Back Cushion	x6			

COMPONENTS

Please check you have all the fittings listed below:

A



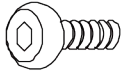
M6 Allen Wrench x 1

E



Washer x 62

B



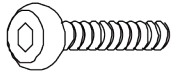
M6x15mm Screw x 24

F



M6 Nut x 4

C



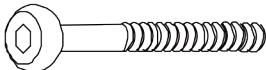
M6x40mm Screw x 30

G



Open Spanner x 1

D








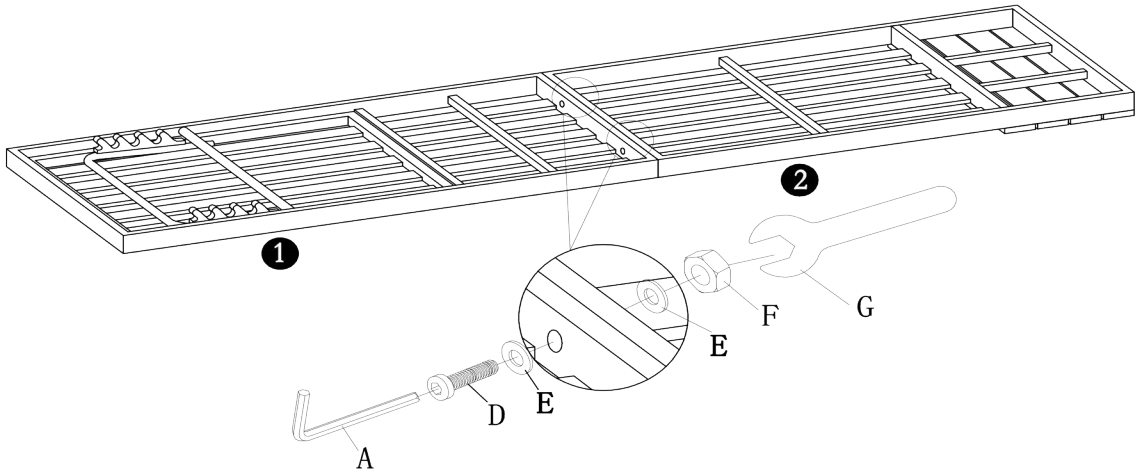
M6x70mm Screw x 4

ASSEMBLY INSTRUCTIONS




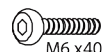
step 1

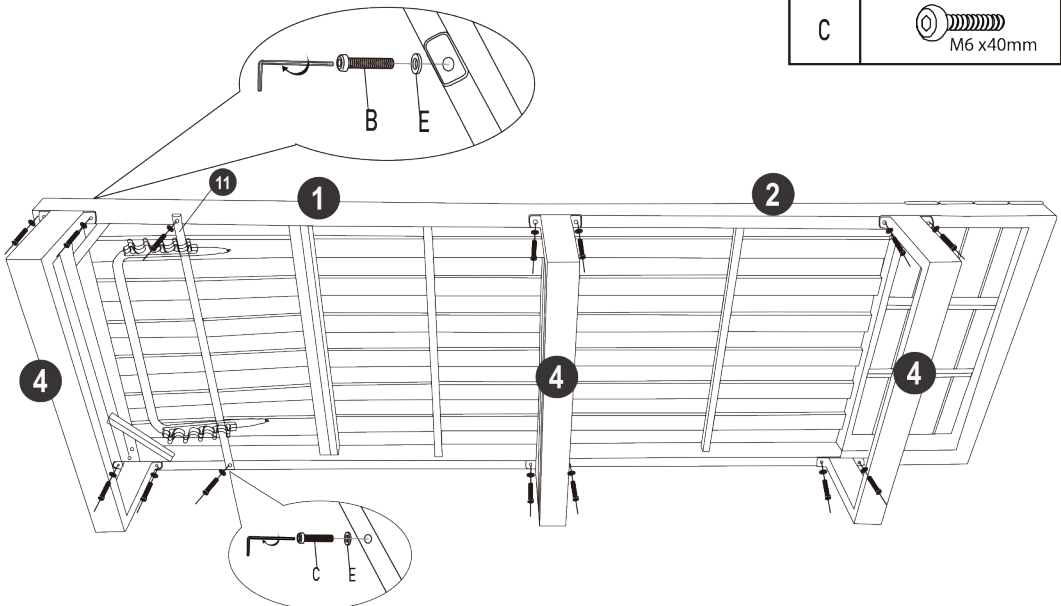
Please note, when building this product, screw threads should not be fully tightened until all parts are in place. Only once all parts are assembled, should they be fully tightened

A		1
D	 M6 x 70mm	2
E		4
F		2
G		1






step 2

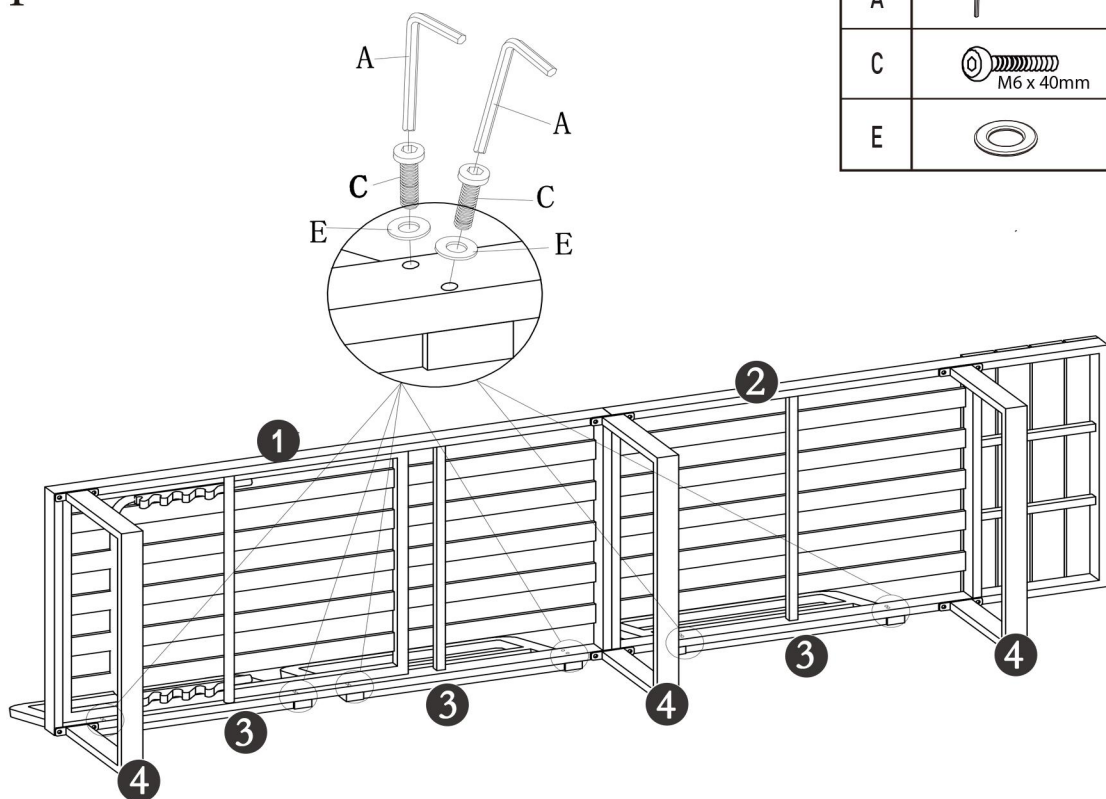
A		1
B	 M6 x 15mm	12
E		14
C	 M6 x 40mm	2








ASSEMBLY INSTRUCTIONS

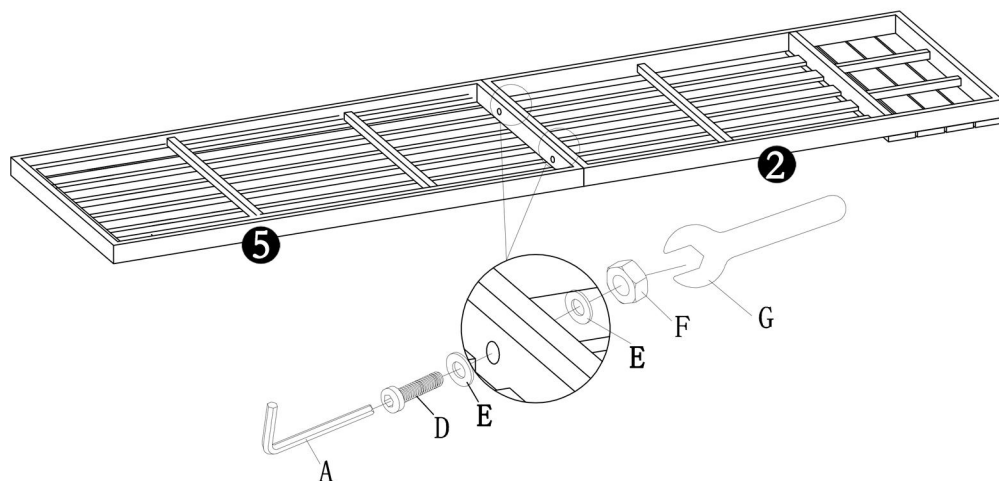
step3

A		1
C	 M6 x 40mm	12
E		12




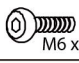

step4

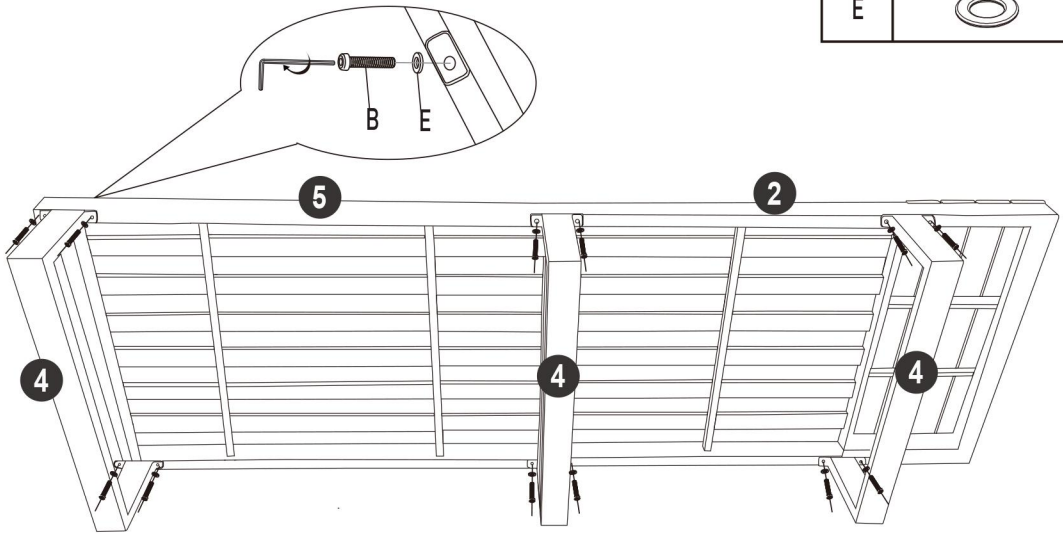
A		1
D	 M6 x 70mm	2
E		4
F		2
G		1




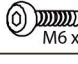

ASSEMBLY INSTRUCTIONS

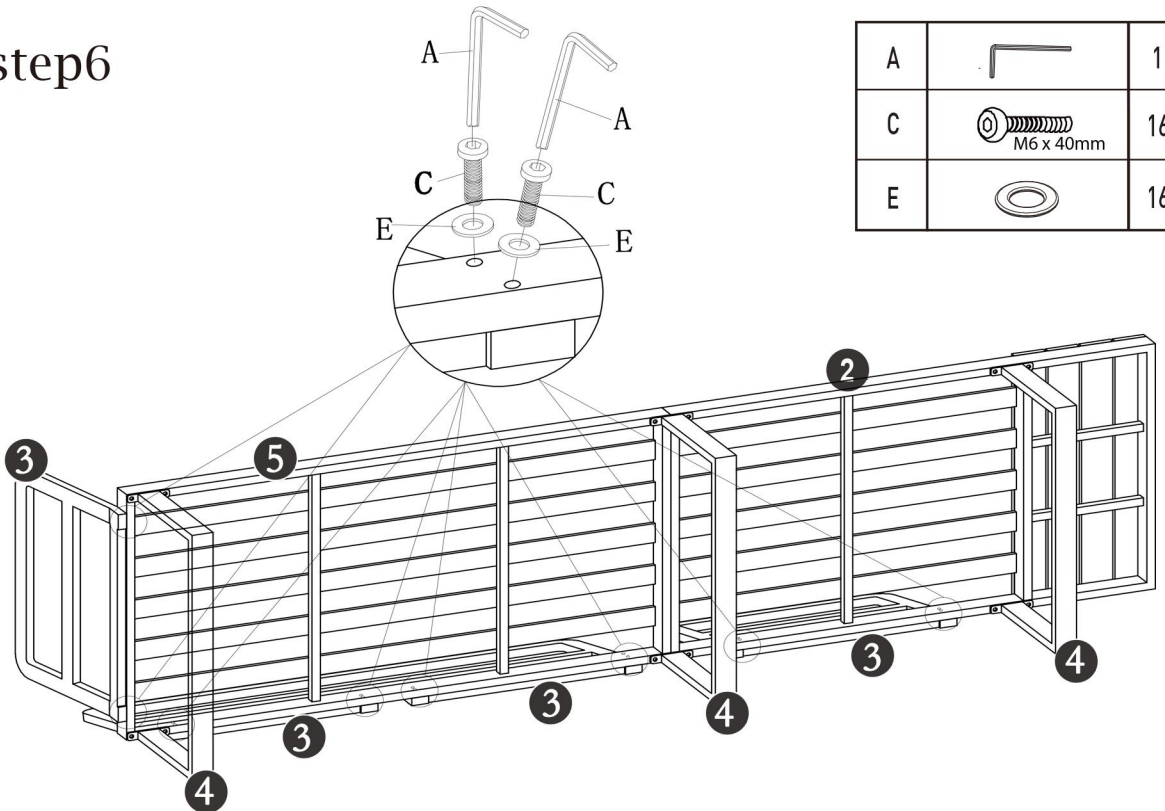
step5

A		1
B	 M6 x 15mm	12
E		12



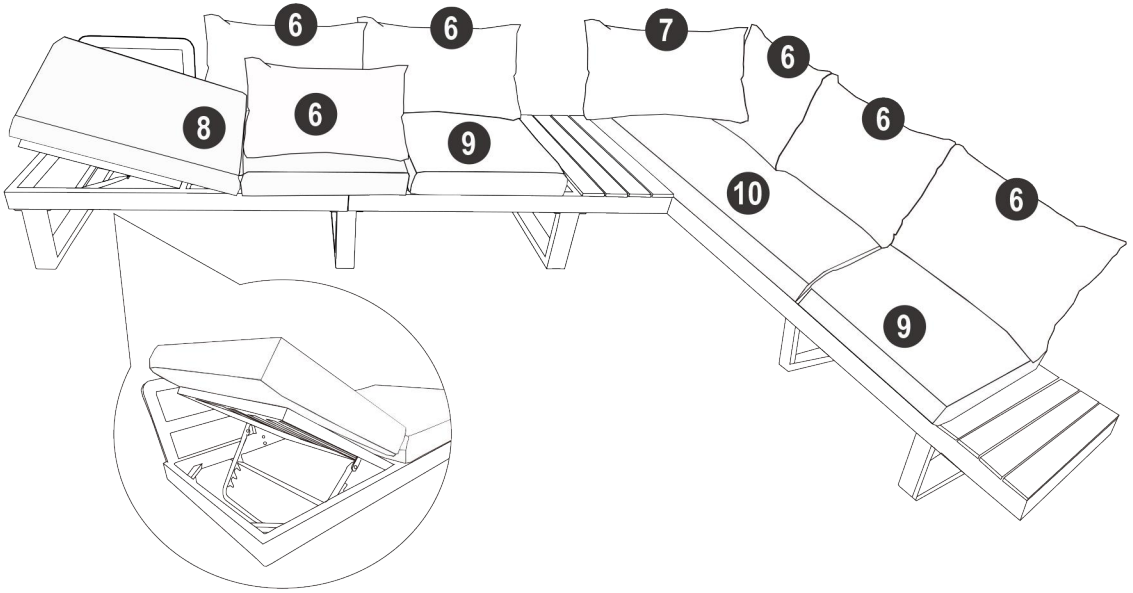
step6

A		1
C	 M6 x 40mm	16
E		16



ASSEMBLY INSTRUCTIONS

step7



*Congratulations!
Now you have finished assembling the product.*