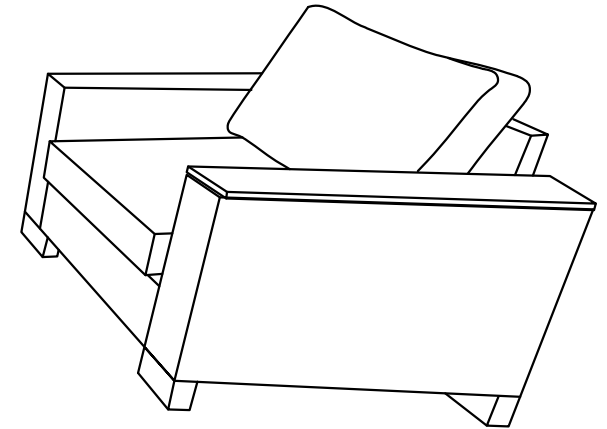
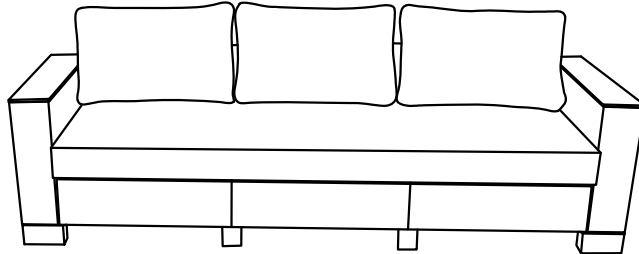
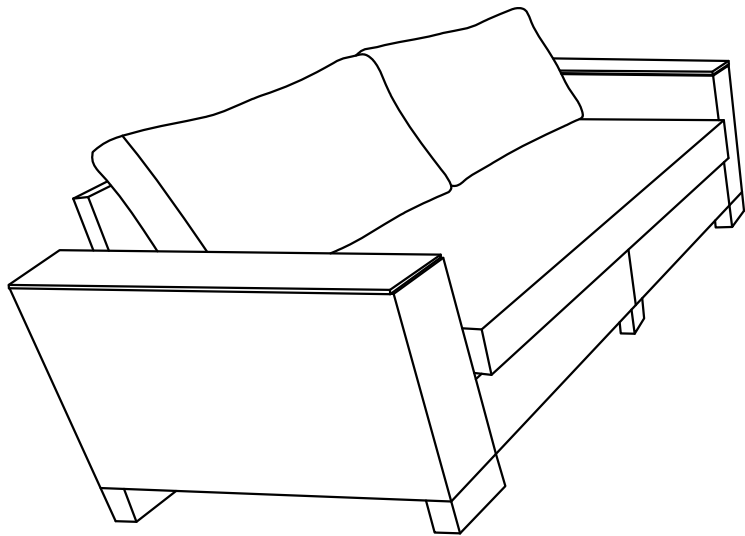


Sofa Assembly Instruction



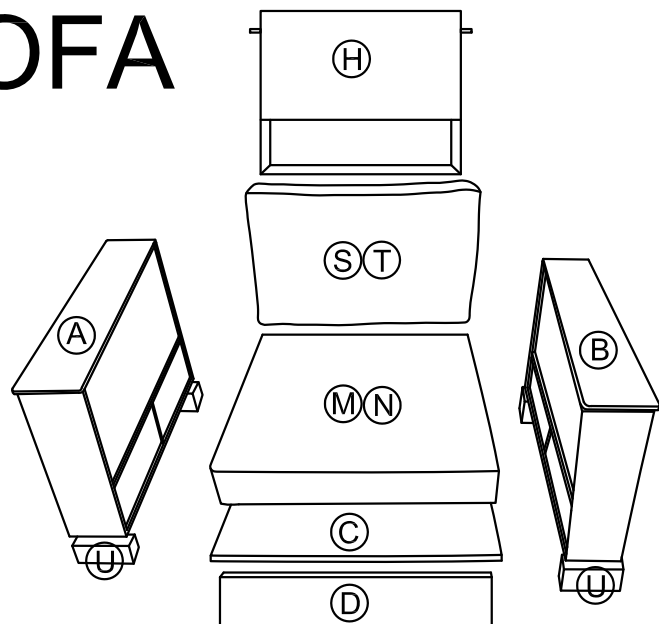
Dear Customer,

After receiving the product, please check all the accessory codes and quantities according to the instruction manual, if there is any omission, please contact us in time. We will provide solutions for you.

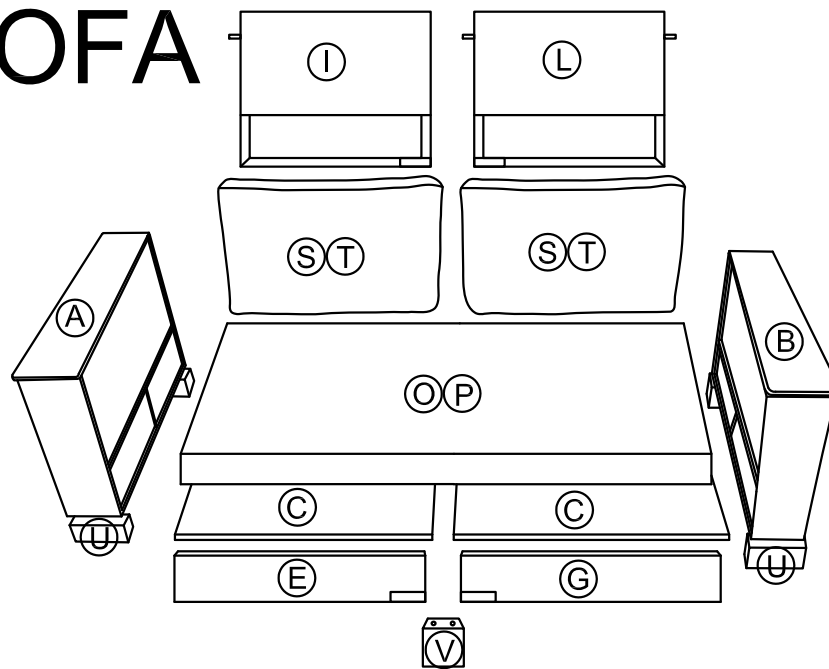
If you have any questions, please contact us in time; support@papajet.net

Revi si on Date: 20231230

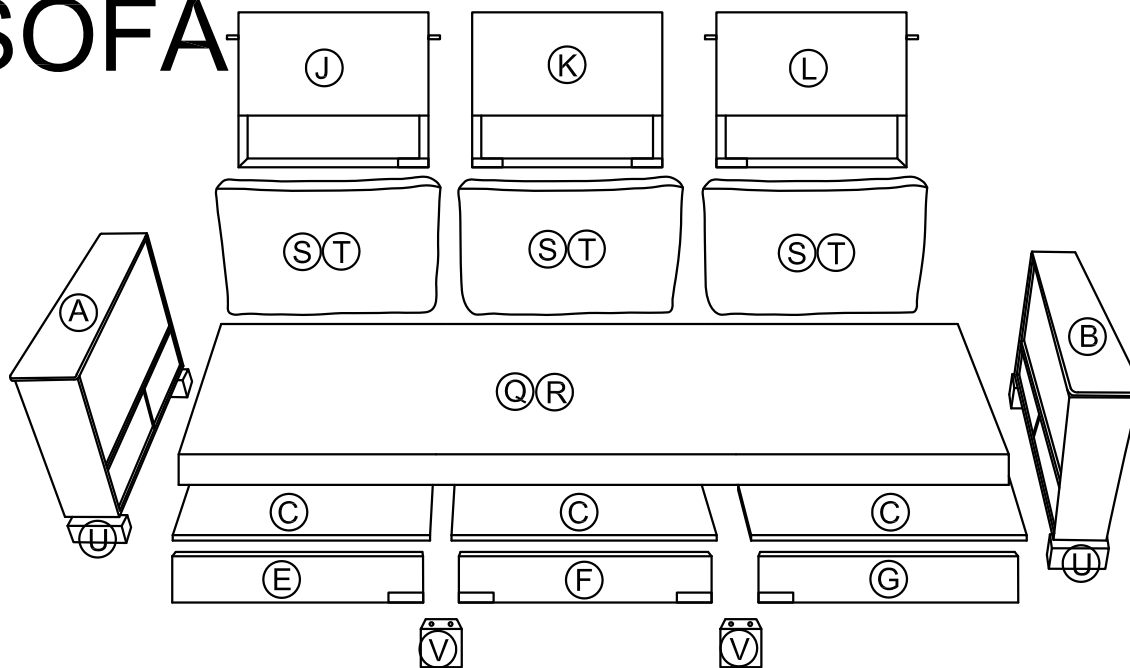
SOFA



SOFA



SOFA





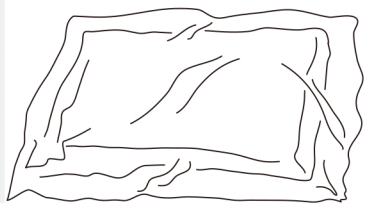
Safety and Care Advice

Important – Please read these instructions fully before starting assembly

Thanks for your purchase. Before the assembly, please follow the instruction to check if all the spare parts and screws are intact.

- Considering the size and weight of the sofa, we recommend two adults to assemble the sofa, on a carpeted or padded area, in the room that it is intended for. Approximate assembly time: 90 minutes.
- Keep all components and packaging out of reach of children or animals to avoid risk of choking or suffocation.
- Please do not throw away any of the packaging or the instruction until you have checked all the components and hardware and the furniture is fully assembled. Please ensure that the packaging is disposed of in a safe and environmentally friendly way.

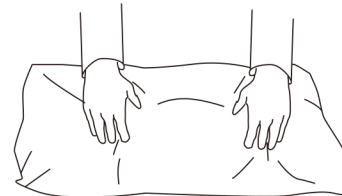
Your cushions come vacuum packed and sealed for shipping. To restore the cushion's original shape, follow the steps below.



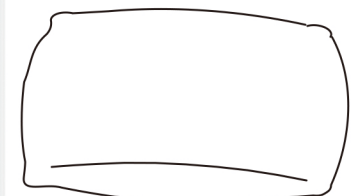
Open the vacuum bag carefully.



Press and tap with both hands from the side to fully inhale air



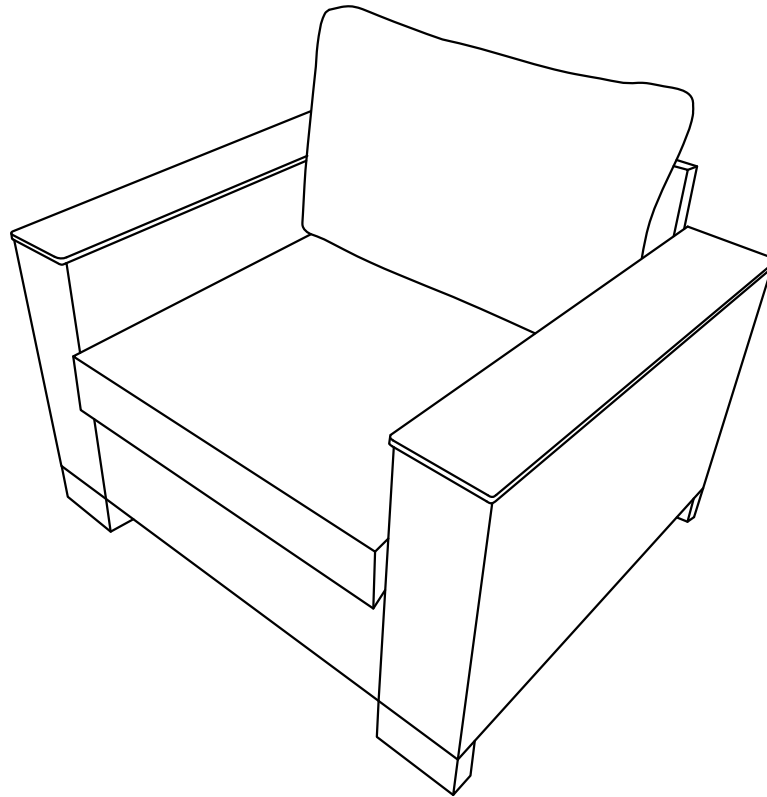
Press and tap with both hands from the front to fully inflate.



Carefully smooth out each section until the surface is even.

After packing up, place them in somewhere dry and ventilated. After about 72-96hours. It can be restored to the best use condition.

Sofa Assembly Instruction

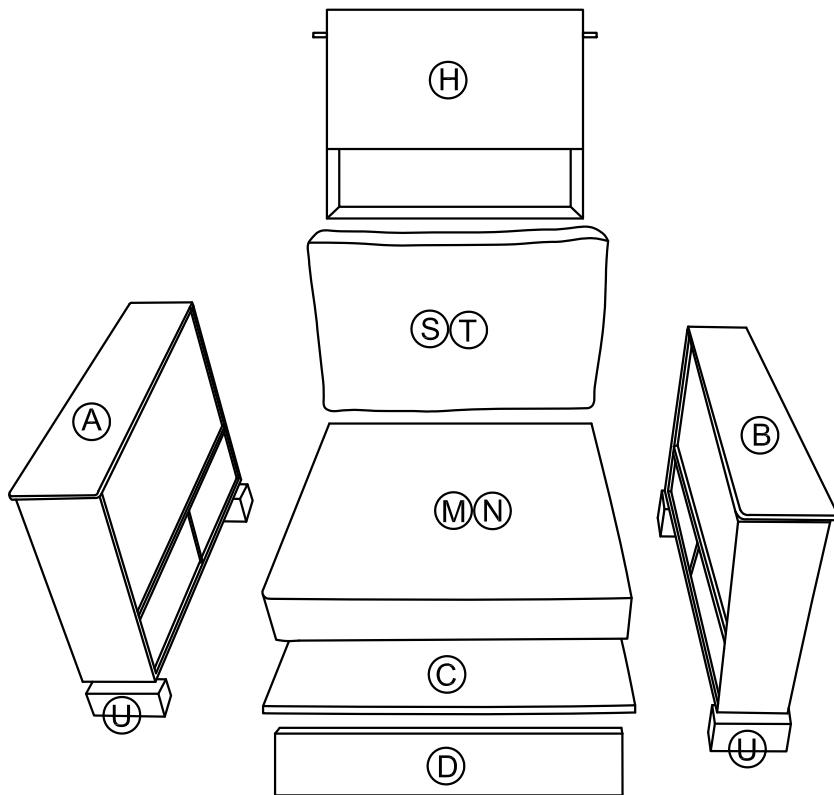


Dear Customer,





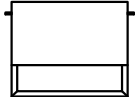
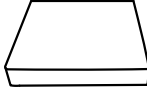



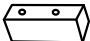
After receiving the product, please check all the accessory codes and quantities according to the instruction manual, if there is any omission, please contact us in time. We will provide solutions for you.

If you have any questions, please contact us in time; support@papajet.net

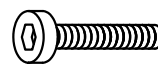
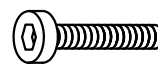
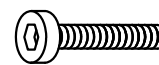



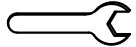
SOFA



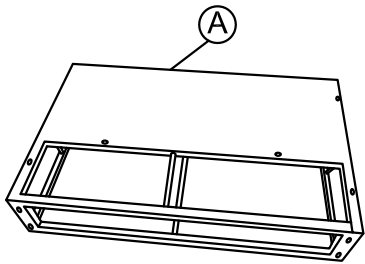
Main structure accessories

<p>(A) Right Armrests x1</p> 	<p>(B) Left Armrests x1</p> 	<p>(C) Seat x1</p> 	<p>(D) Side panel x1</p> 	<p>(H) Back rest x1</p> 
<p>(M) Seat cushion x1</p> 	<p>(N) Seat cushion cover x1</p> 	<p>(S) Back cushion x1</p> 	<p>(T) Back cushion cover x1</p> 	<p>(U) Wooden foot x4</p> 

Hardware parts

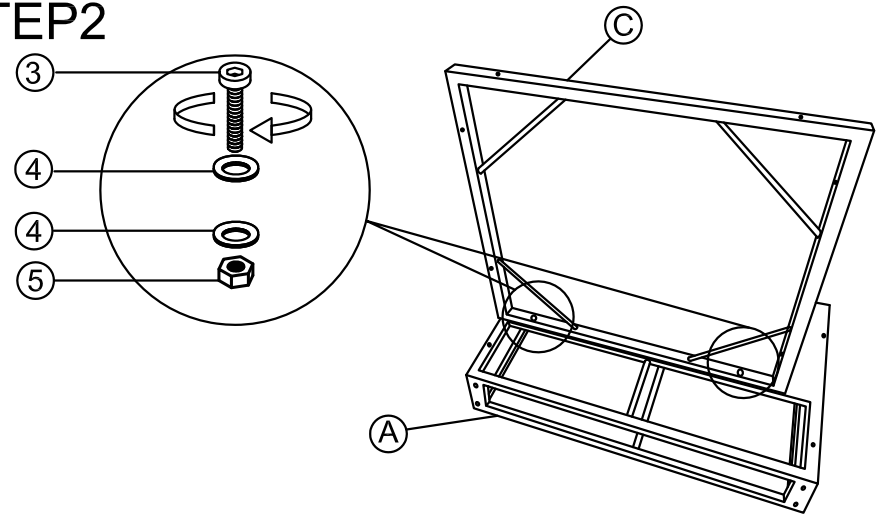
<p>(1) Bolt M6x35 x10</p> 	<p>(2) Bolt M6x55 x4</p> 	<p>(3) Bolt M6x60 x6</p> 	<p>(4) Washer x30</p> 	<p>(5) Nut x10</p> 
<p>(6) Allen Key x1</p> 	<p>(7) Spanner x1</p> 			

STEP1



Place the Armrests on the ground before assemble.
Please DO NOT tighten the screws at this step yet. Wait to
tighten all the screws until the product is fully installed.

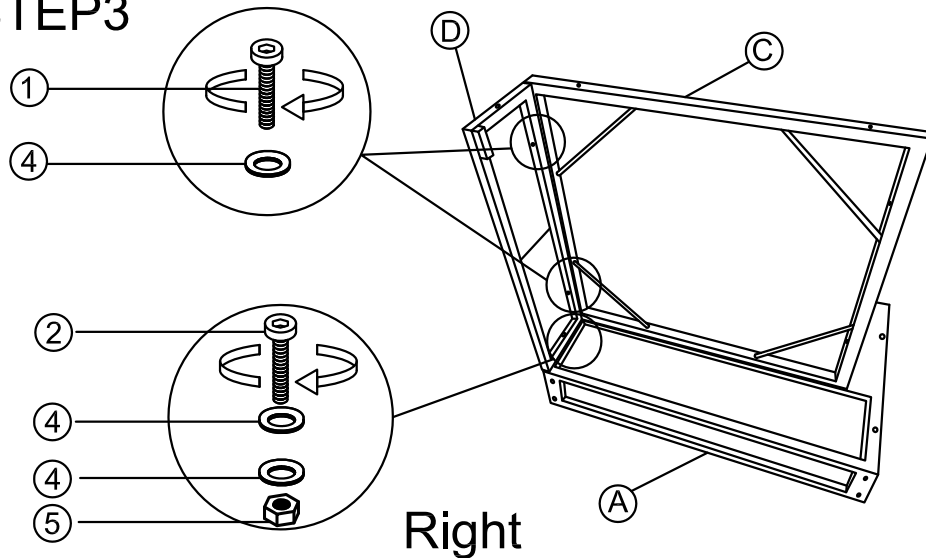
STEP2



Right

Please DO NOT tighten the screws at this step yet. Wait to
tighten all the screws until the product is fully installed.

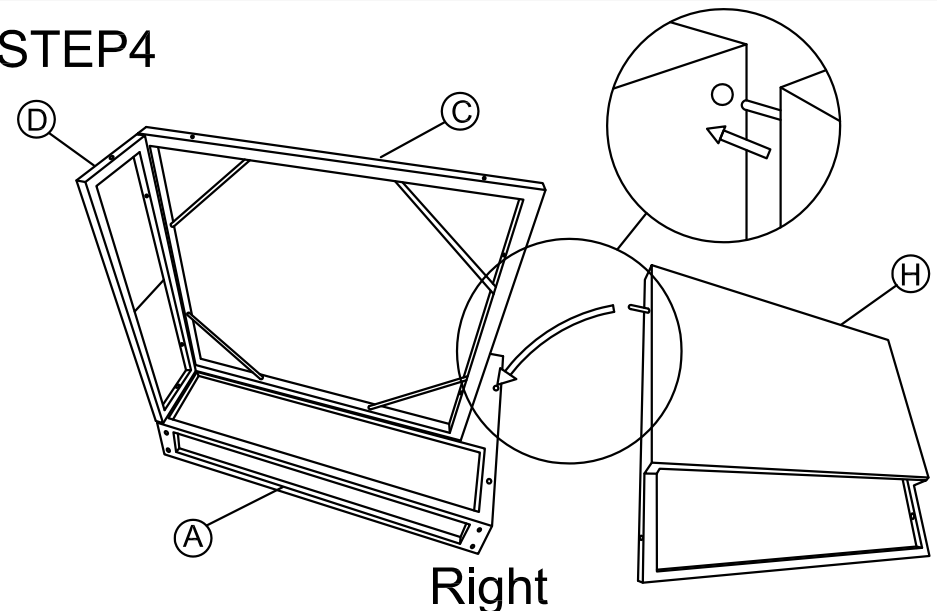
STEP3



Right

Please DO NOT tighten the screws at this step yet. Wait to
tighten all the screws until the product is fully installed.

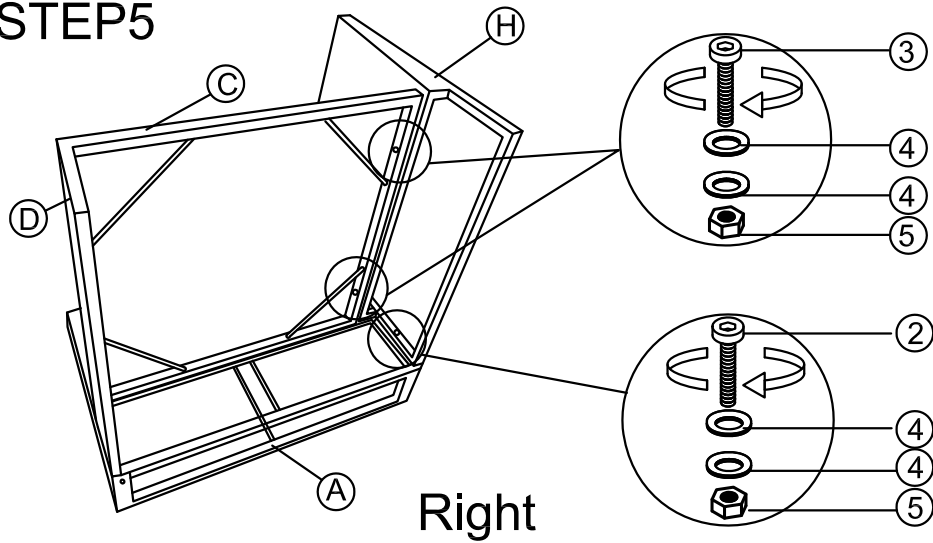
STEP4



Right

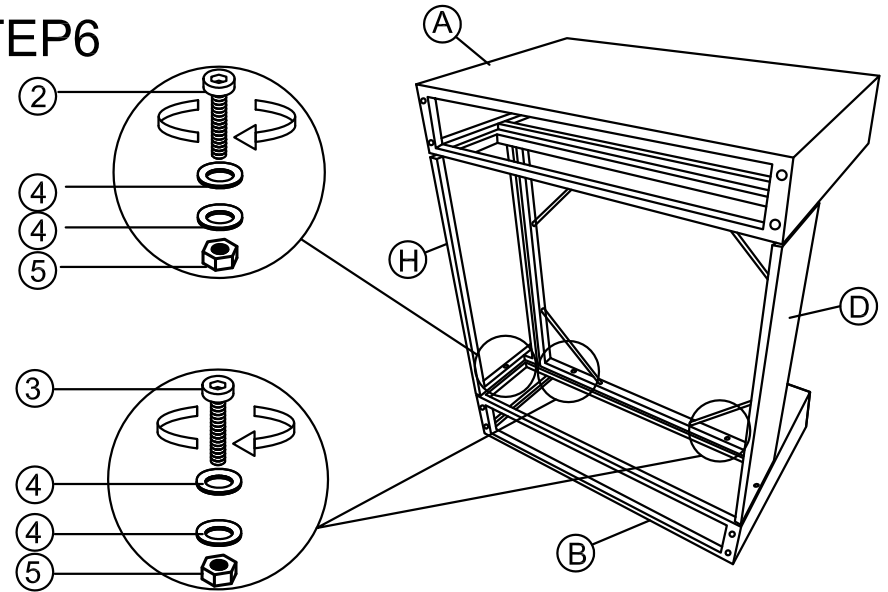
Please DO NOT tighten the screws at this step yet. Wait to
tighten all the screws until the product is fully installed.

STEP5



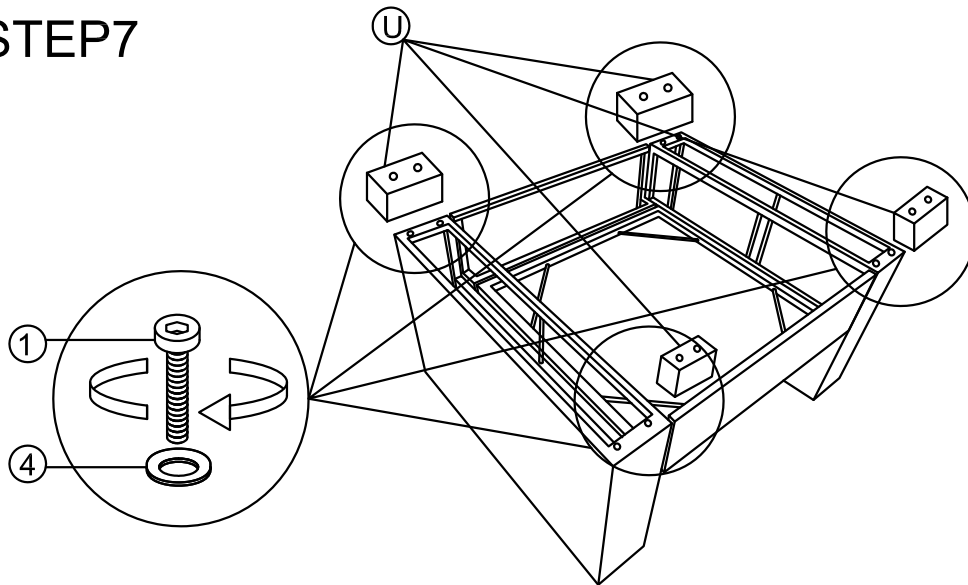
Please DO NOT tighten the screws at this step yet. Wait to tighten all the screws until the product is fully installed.

STEP6



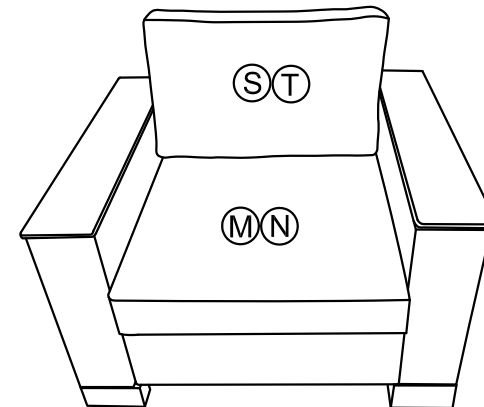
Please DO NOT tighten the screws at this step yet. Wait to tighten all the screws until the product is fully installed.

STEP7

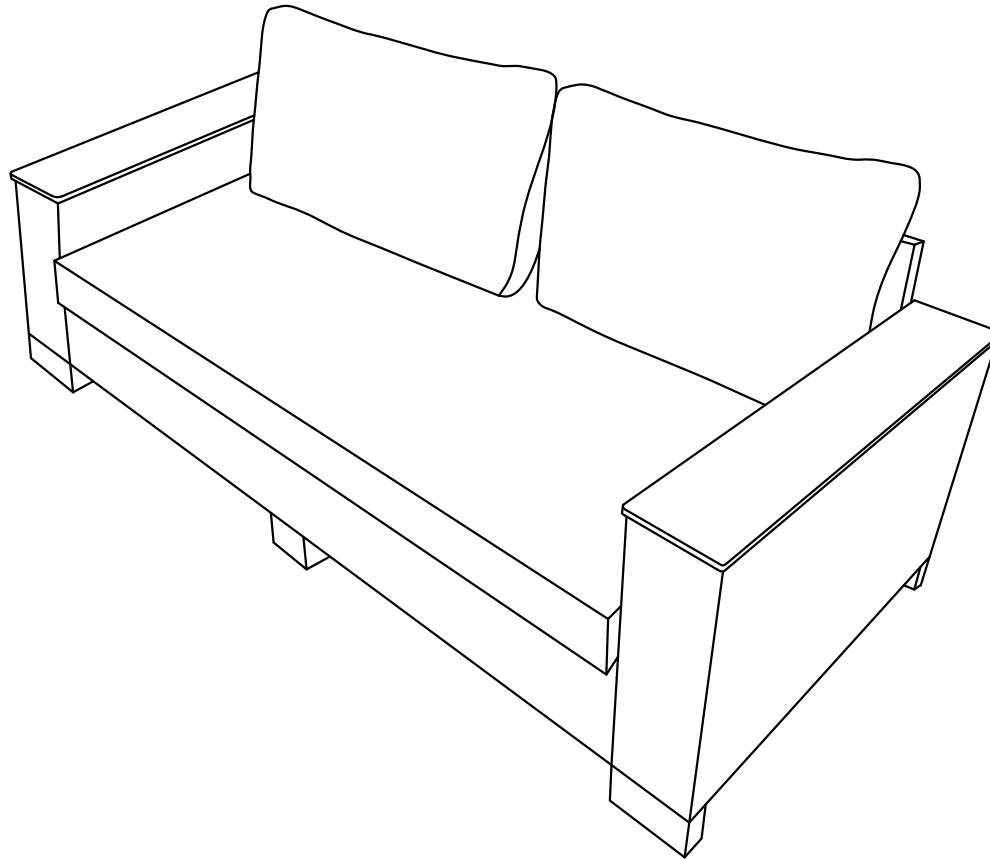


Please DO NOT tighten the screws at this step yet. Wait to tighten all the screws until the product is fully installed.

STEP8



Sofa Assembly Instruction

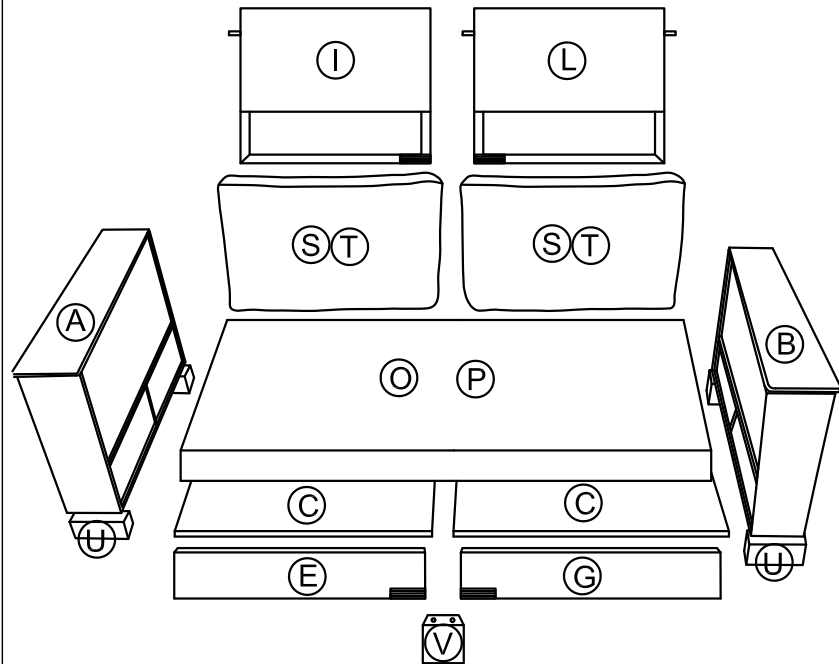


Dear Customer,




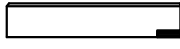
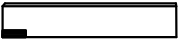
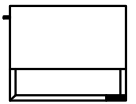

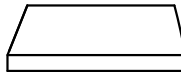
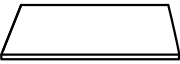


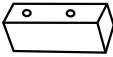
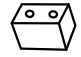
After receiving the product, please check all the accessory codes and quantities according to the instruction manual, if there is any omission, please contact us in time. We will provide solutions for you.

If you have any questions, please contact us in time; support@papajet.net

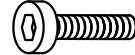





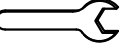
SOFA



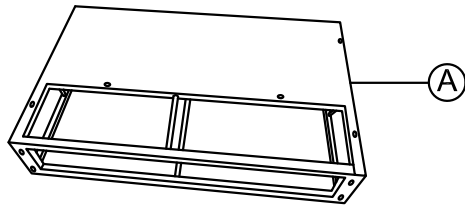
Main structure accessories

<p>(A) Right Armrests</p>  <p>x1</p>	<p>(B) Left Armrests</p>  <p>x1</p>	<p>(C) Seat</p>  <p>x2</p>	<p>(E) Side panel</p>  <p>x1</p>	<p>(G) Side panel</p>  <p>x1</p>
<p>(I) Back rest</p>  <p>x1</p>	<p>(L) Back rest</p>  <p>x1</p>	<p>(O) 2-seat cushion</p>  <p>x1</p>	<p>(P) 2-seat cushion cover</p>  <p>x1</p>	<p>(S) Back cushion</p>  <p>x2</p>
<p>(T) Back cushion cover</p>  <p>x2</p>	<p>(U) Wooden footpads</p>  <p>x4</p>	<p>(V) Wooden footpads</p>  <p>x2</p>		

Hardware parts

<p>(1) Bolt</p>  <p>M6x35</p> <p>x16</p>	<p>(2) Bolt</p>  <p>M6x55</p> <p>x6</p>	<p>(3) Bolt</p>  <p>M6x60</p> <p>x10</p>	<p>(4) Washer</p>  <p>x48</p>	<p>(5) Nut</p>  <p>x16</p>
<p>(6) Allen Key</p>  <p>x1</p>	<p>(7) Spanner</p>  <p>x1</p>			

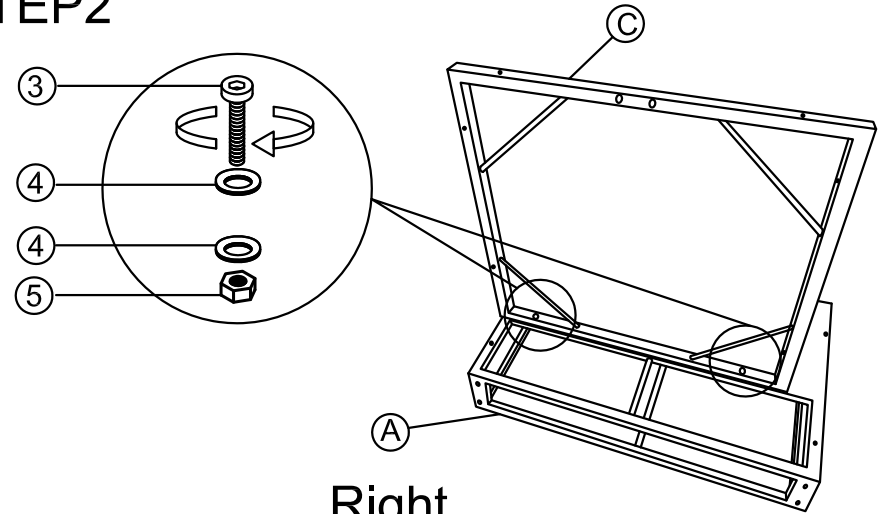
STEP1



Right

Place the Armrests on the ground before assemble.
Please DO NOT tighten the screws at this step yet. Wait to tighten all the screws until the product is fully installed.

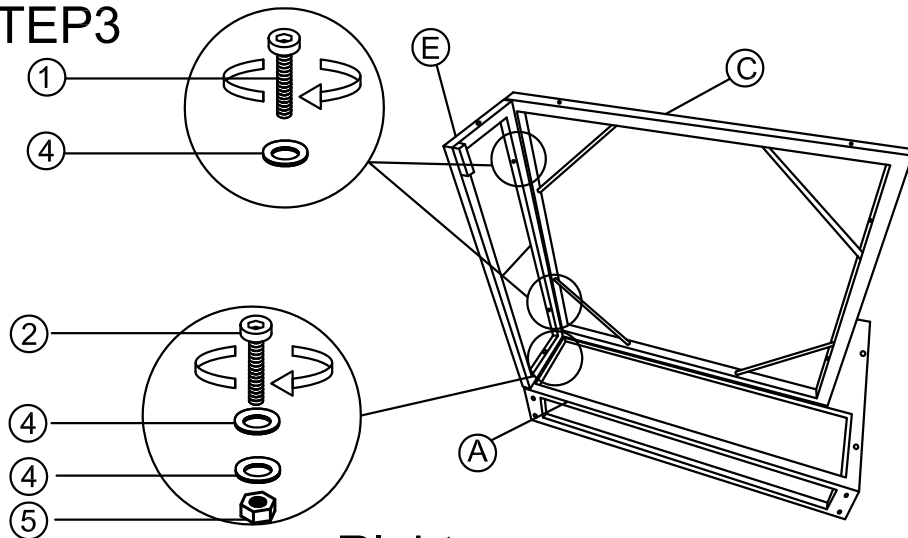
STEP2



Right

Please DO NOT tighten the screws at this step yet. Wait to tighten all the screws until the product is fully installed.

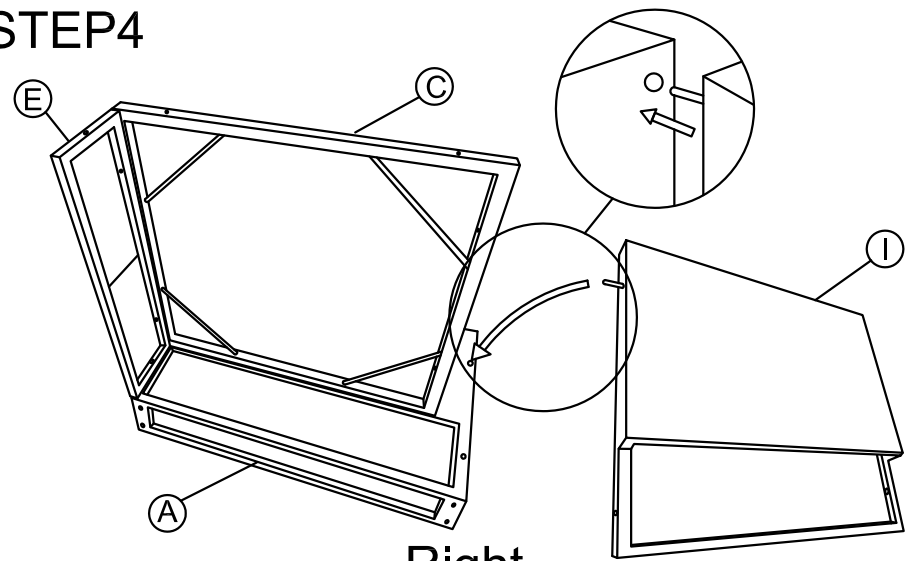
STEP3



Right

Please DO NOT tighten the screws at this step yet. Wait to tighten all the screws until the product is fully installed.

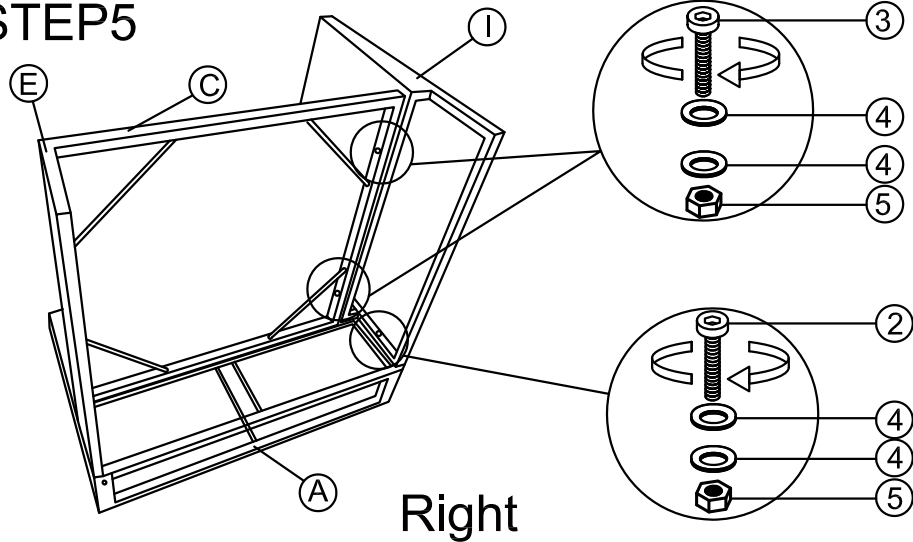
STEP4



Right

Please DO NOT tighten the screws at this step yet. Wait to tighten all the screws until the product is fully installed.

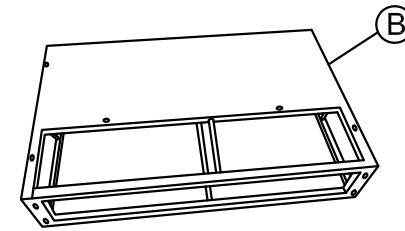
STEP5



Right

Please DO NOT tighten the screws at this step yet. Wait to tighten all the screws until the product is fully installed.

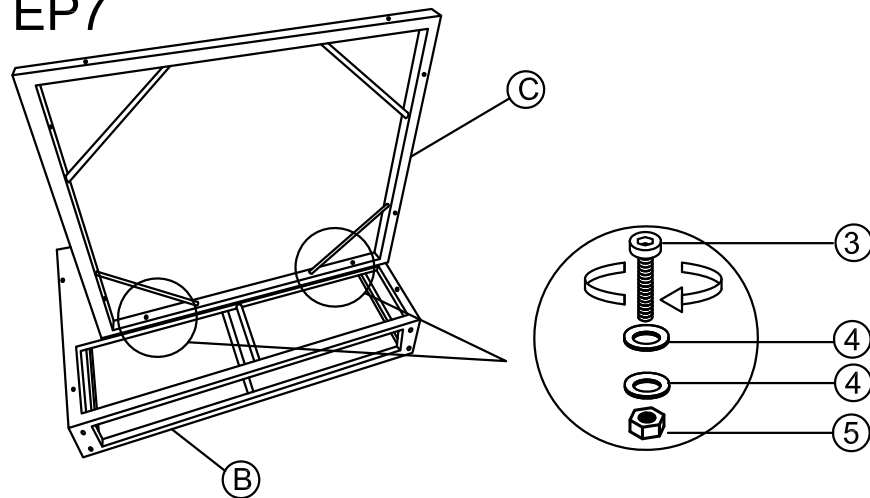
STEP6



Left

Place the Armrests on the ground before assemble.
Please DO NOT tighten the screws at this step yet. Wait to tighten all the screws until the product is fully installed.

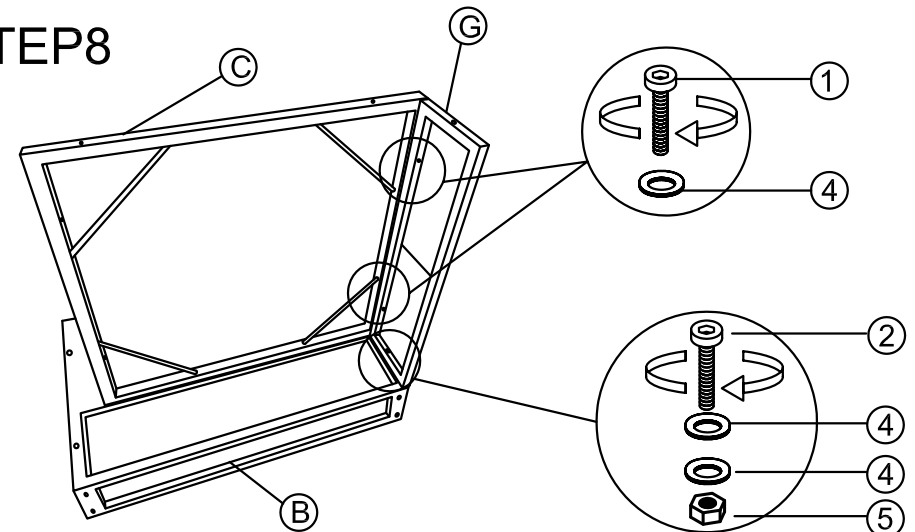
STEP7



Left

Please DO NOT tighten the screws at this step yet. Wait to tighten all the screws until the product is fully installed.

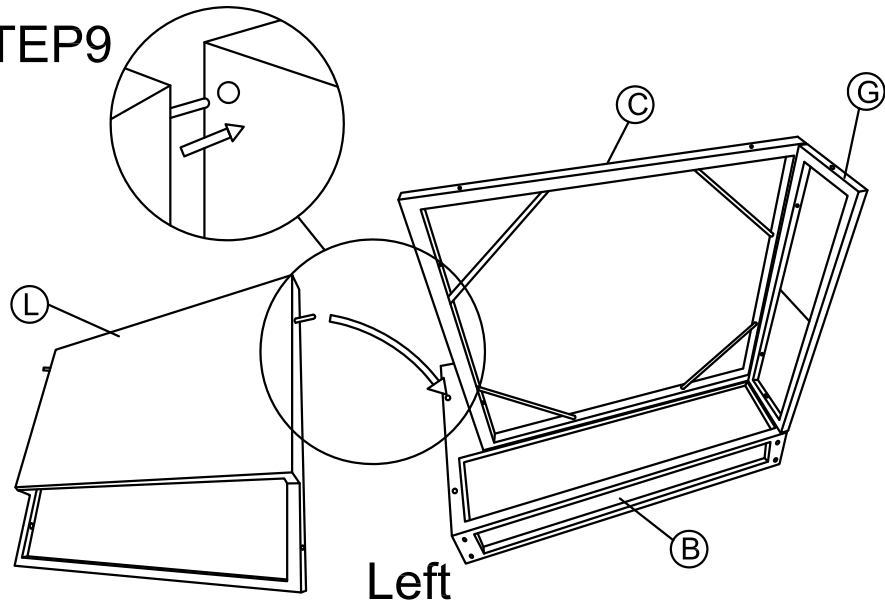
STEP8



Left

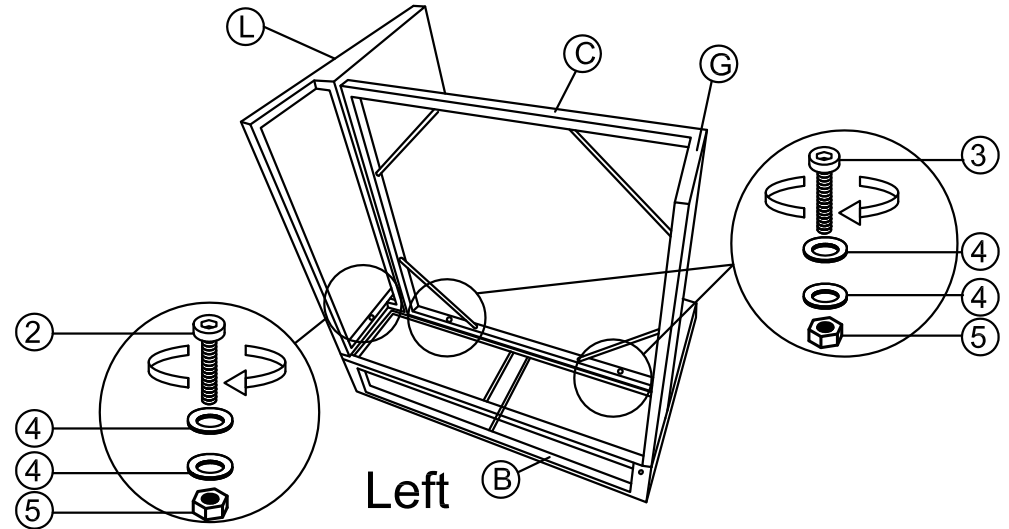
Please DO NOT tighten the screws at this step yet. Wait to tighten all the screws until the product is fully installed.

STEP9



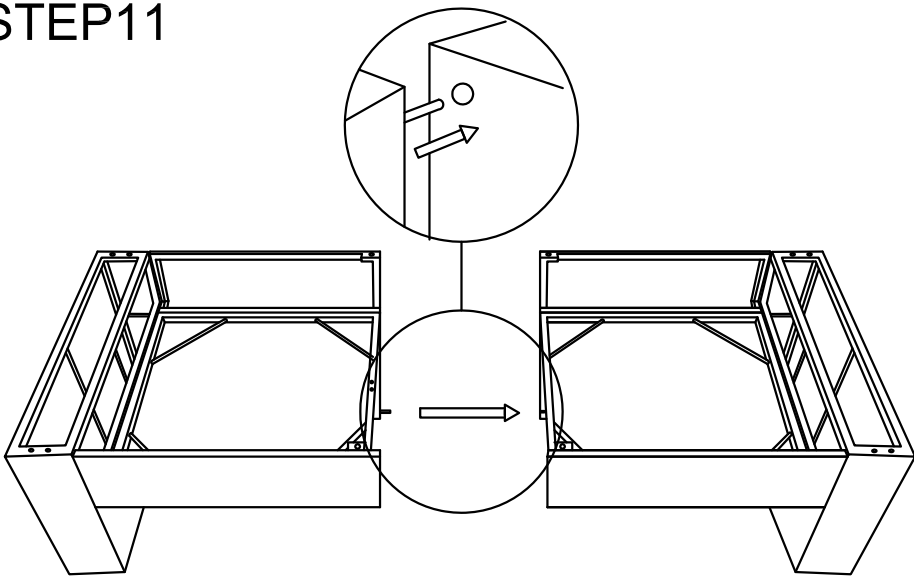
Please DO NOT tighten the screws at this step yet. Wait to tighten all the screws until the product is fully installed.

STEP10



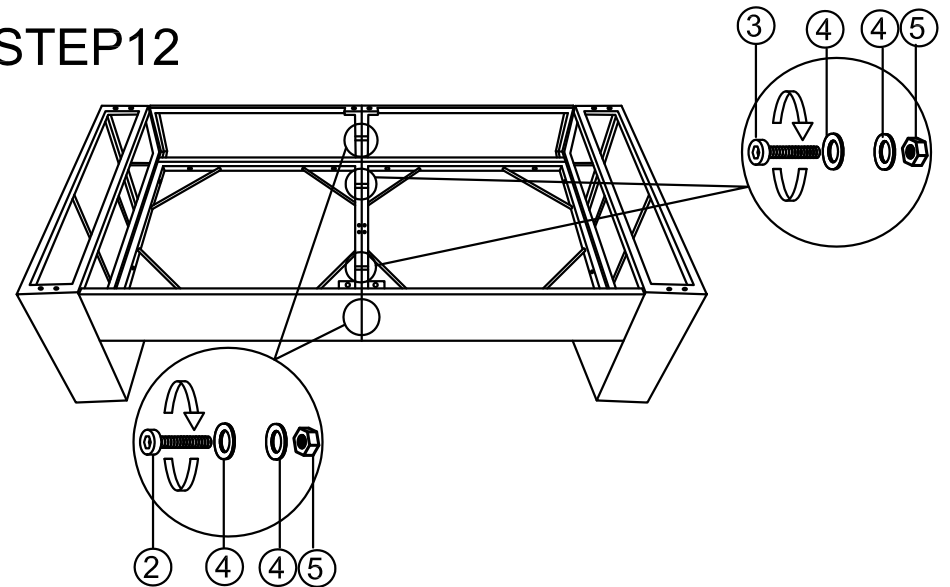
Please DO NOT tighten the screws at this step yet. Wait to tighten all the screws until the product is fully installed.

STEP11



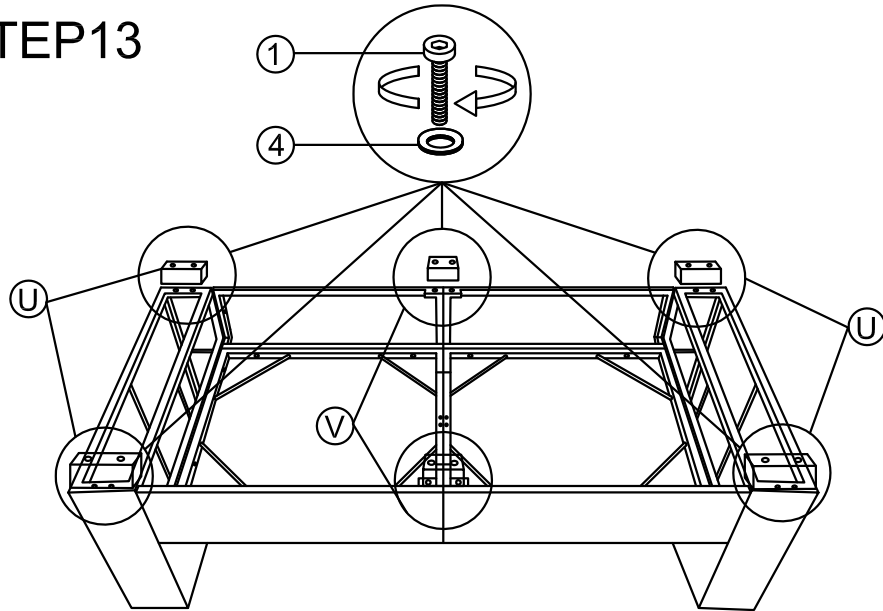
Please DO NOT tighten the screws at this step yet. Wait to tighten all the screws until the product is fully installed.

STEP12



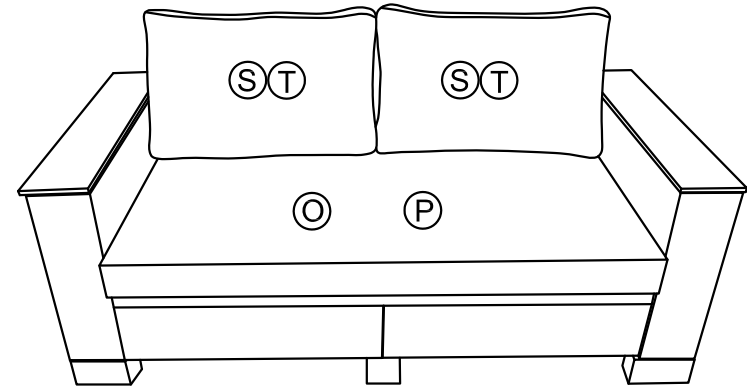
Please DO NOT tighten the screws at this step yet. Wait to tighten all the screws until the product is fully installed.

STEP13



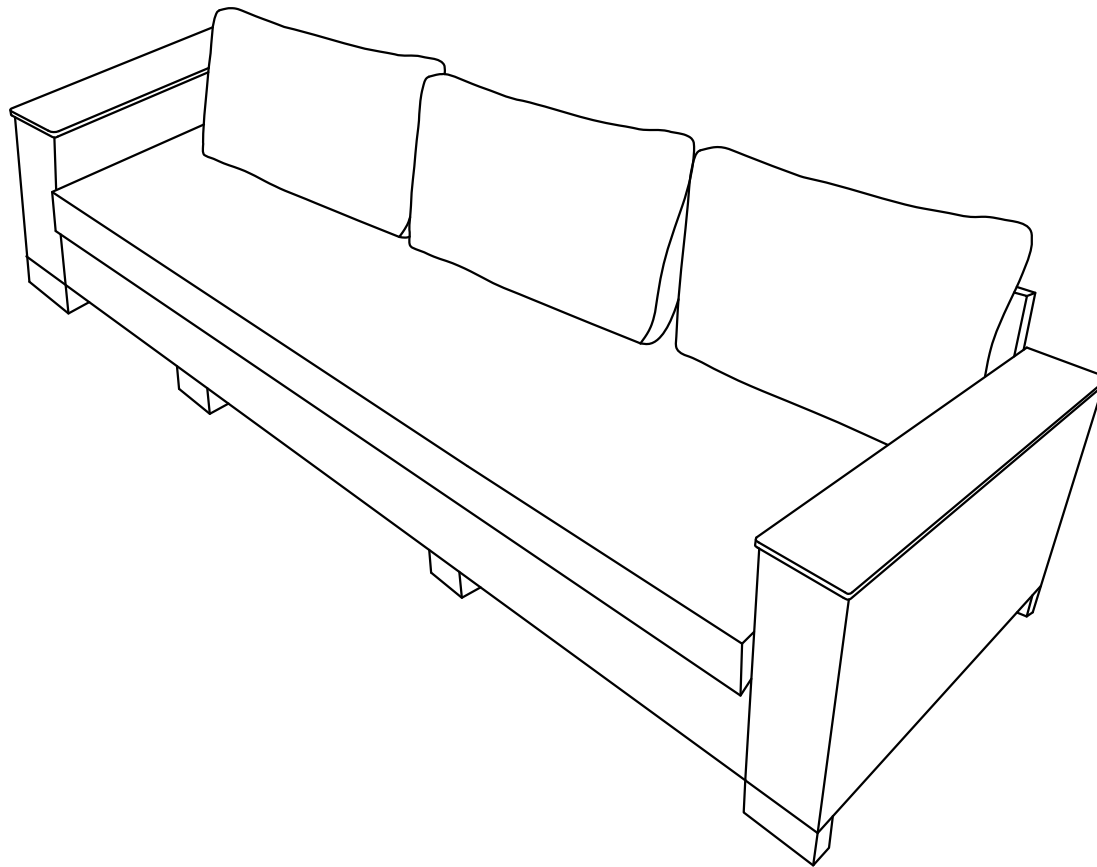
Please DO NOT tighten the screws at this step yet. Wait to tighten all the screws until the product is fully installed.

STEP14



Please DO NOT tighten the screws at this step yet. Wait to tighten all the screws until the product is fully installed.

Sofa Assembly Instruction

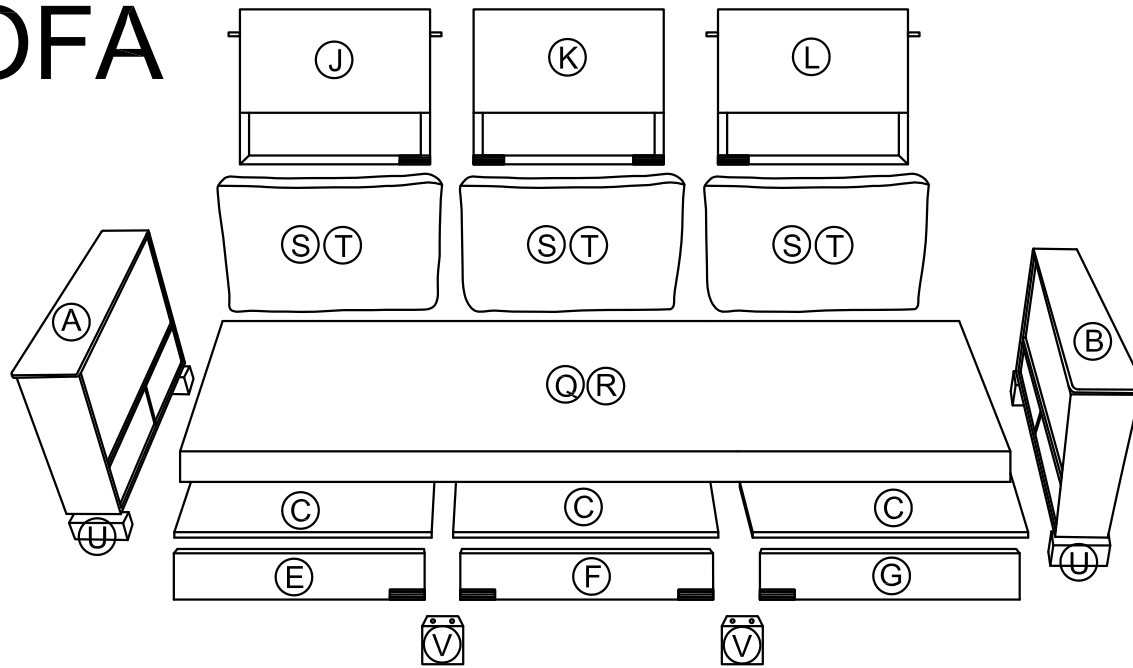


Dear Customer,

After receiving the product, please check all the accessory codes and quantities according to the instruction manual, if there is any omission, please contact us in time. We will provide solutions for you.

If you have any questions, please contact us in time; support@papajet.net

SOFA



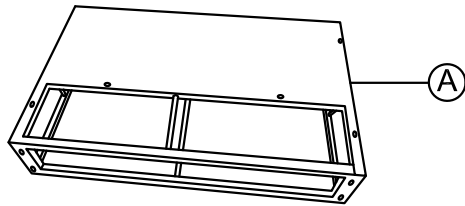
Hardware parts

① Bolt M6x35 x22	② Bolt M6x55 x8	③ Bolt M6x60 x14
④ Washer x66	⑤ Nut x22	⑥ Allen Key x1
⑦ Spanner x1		

Main structure accessories

① Right Armrests x1	② Left Armrests x1	③ Seat x3	④ Side panel x1	⑤ Side panel x1	⑥ Side panel x1	⑦ Back rest x1	⑧ Back rest x1	⑨ Back rest x1
⑩ 3-seat cushion x1	⑪ 3-seat cushion cover x1	⑫ Back cushion x3	⑬ Back cushion cover x3	⑭ Wooden footpads x4	⑮ Wooden footpads x4			

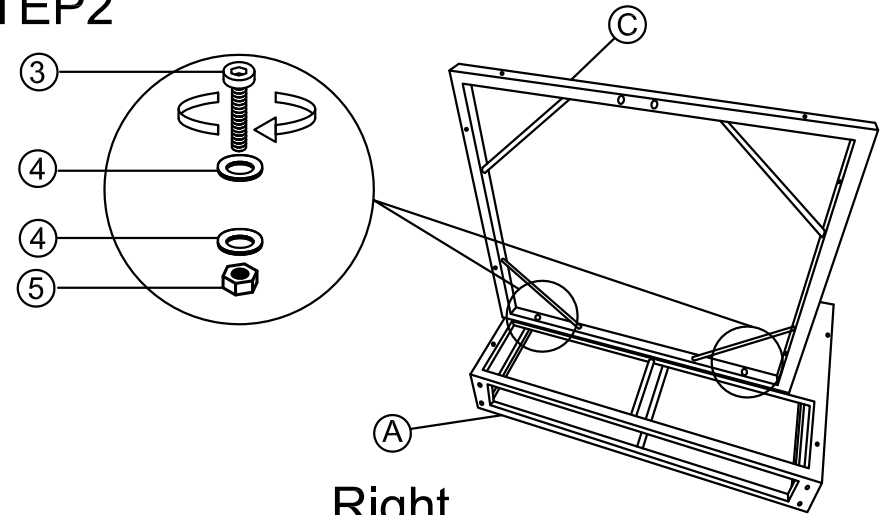
STEP1



Right

Place the Armrests on the ground before assemble.
Please DO NOT tighten the screws at this step yet. Wait to
tighten all the screws until the product is fully installed.

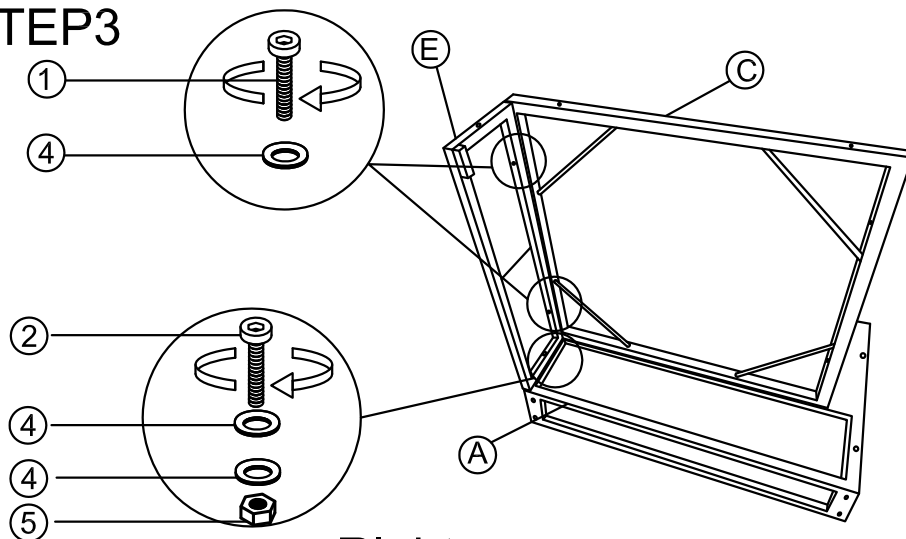
STEP2



Right

Please DO NOT tighten the screws at this step yet. Wait to
tighten all the screws until the product is fully installed.

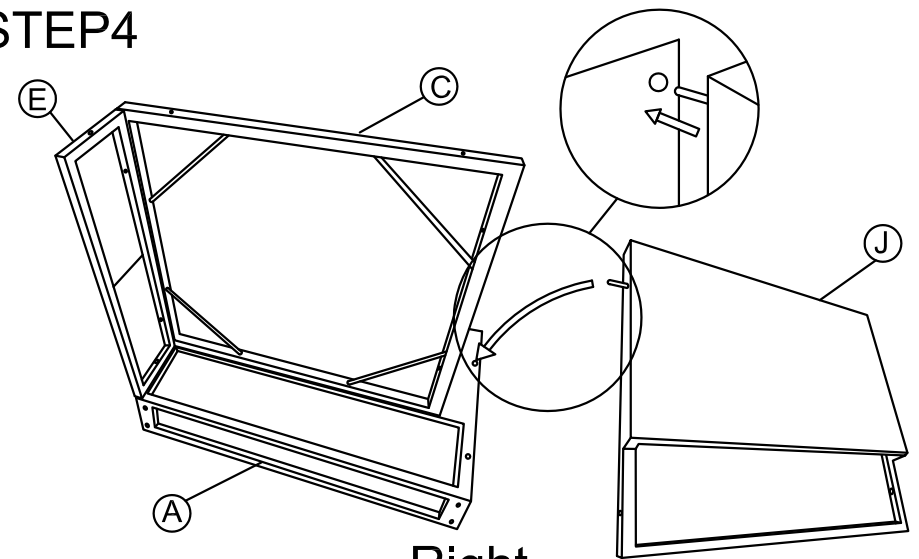
STEP3



Right

Please DO NOT tighten the screws at this step yet. Wait to
tighten all the screws until the product is fully installed.

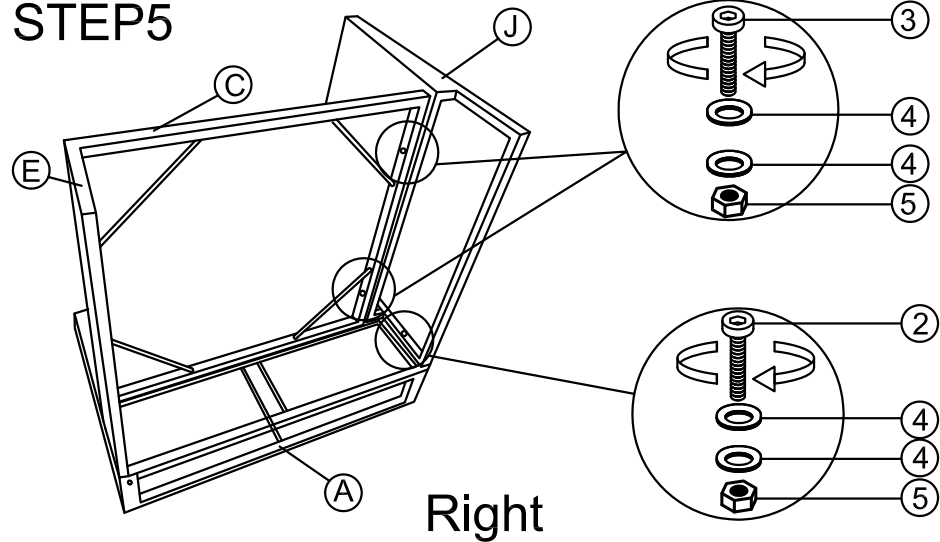
STEP4



Right

Please DO NOT tighten the screws at this step yet. Wait to
tighten all the screws until the product is fully installed.

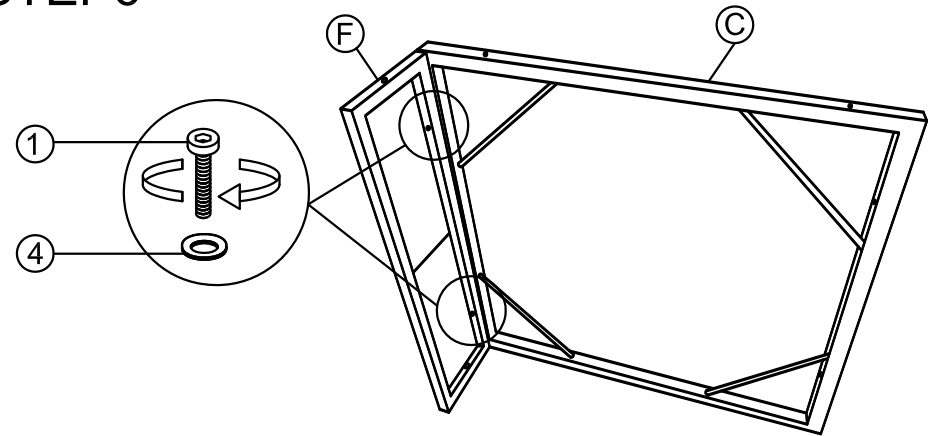
STEP5



Right

Please DO NOT tighten the screws at this step yet. Wait to tighten all the screws until the product is fully installed.

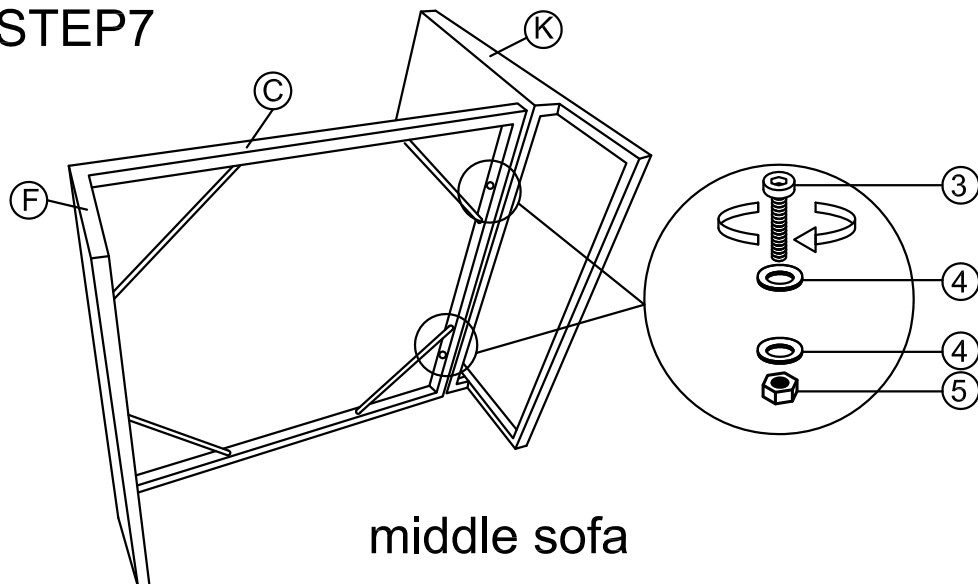
STEP6



middle sofa

Please DO NOT tighten the screws at this step yet. Wait to tighten all the screws until the product is fully installed.

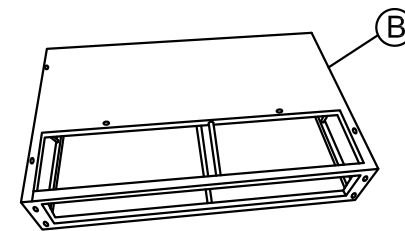
STEP7



middle sofa

Please DO NOT tighten the screws at this step yet. Wait to tighten all the screws until the product is fully installed.

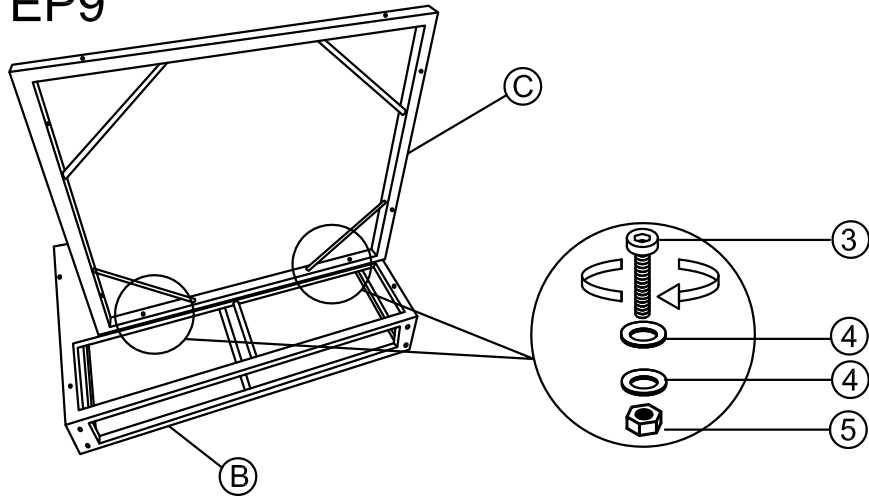
STEP8



Left

Place the Armrests on the ground before assemble.
Please DO NOT tighten the screws at this step yet. Wait to tighten all the screws until the product is fully installed.

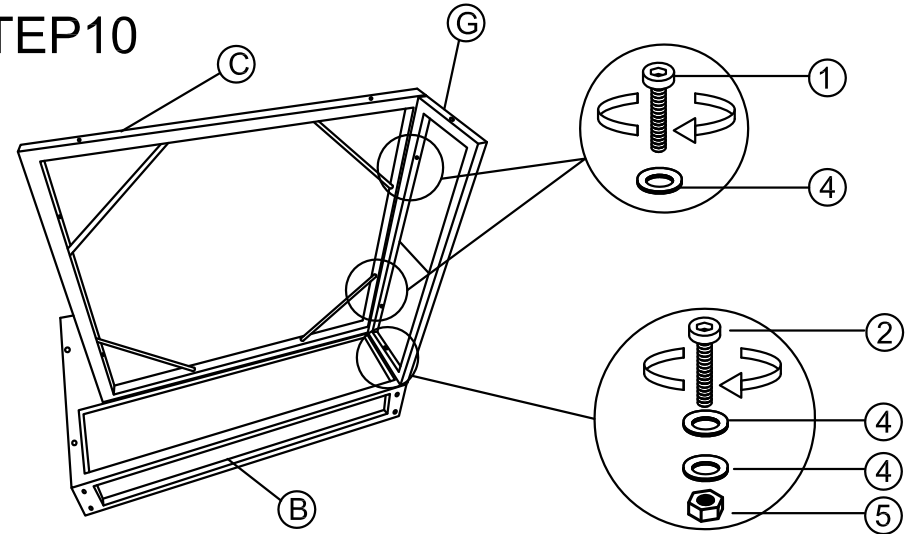
STEP9



Left

Please DO NOT tighten the screws at this step yet. Wait to tighten all the screws until the product is fully installed.

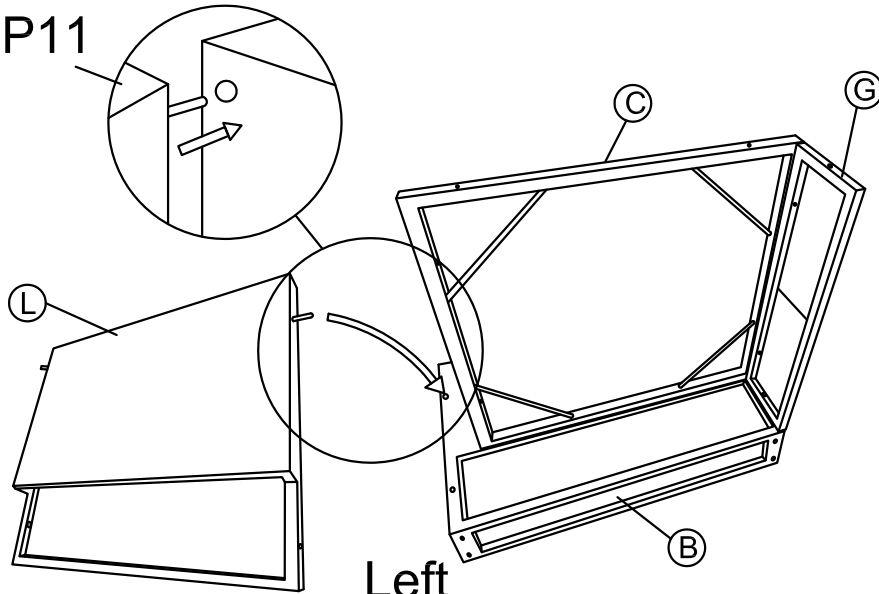
STEP10



Left

Please DO NOT tighten the screws at this step yet. Wait to tighten all the screws until the product is fully installed.

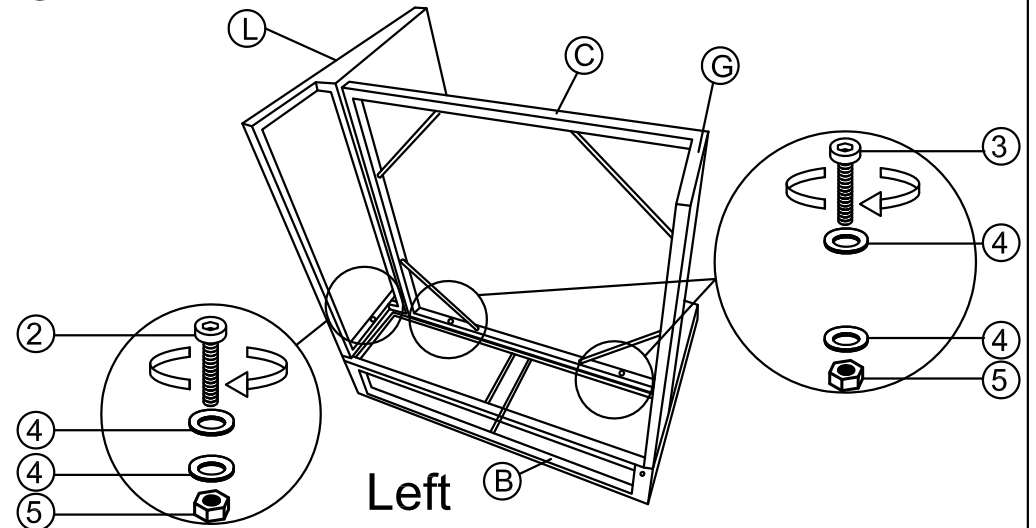
STEP11



Left

Please DO NOT tighten the screws at this step yet. Wait to tighten all the screws until the product is fully installed.

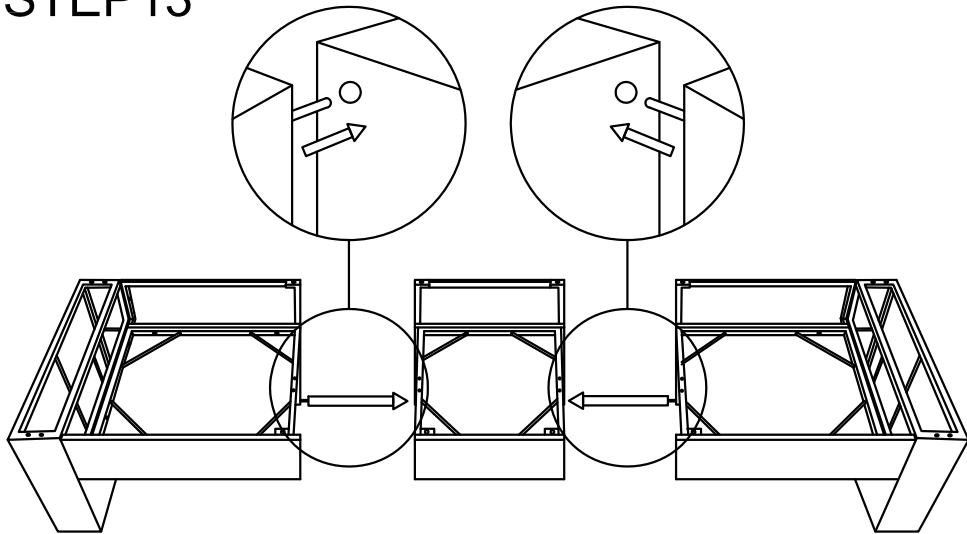
STEP12



Left

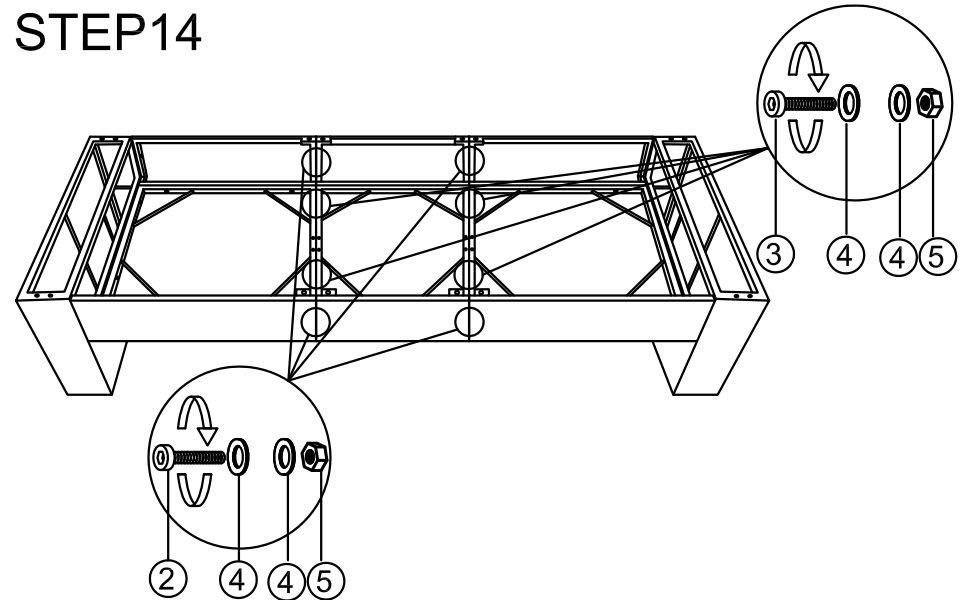
Please DO NOT tighten the screws at this step yet. Wait to tighten all the screws until the product is fully installed.

STEP13



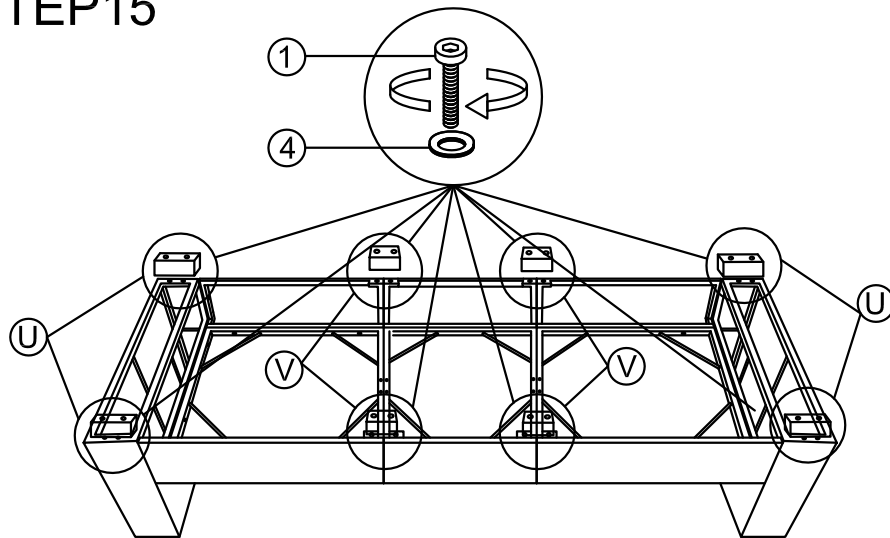
Please DO NOT tighten the screws at this step yet. Wait to tighten all the screws until the product is fully installed.

STEP14



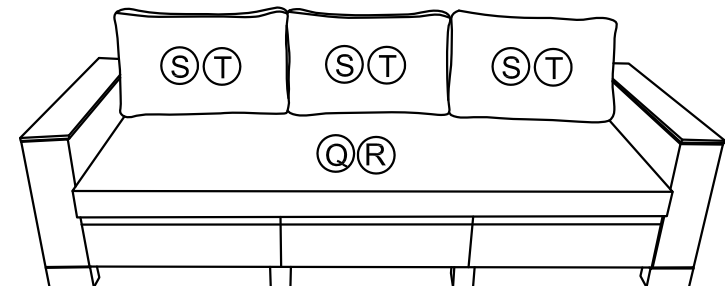
Please DO NOT tighten the screws at this step yet. Wait to tighten all the screws until the product is fully installed.

STEP15



Please DO NOT tighten the screws at this step yet. Wait to tighten all the screws until the product is fully installed.

STEP16



Please DO NOT tighten the screws at this step yet. Wait to tighten all the screws until the product is fully installed.