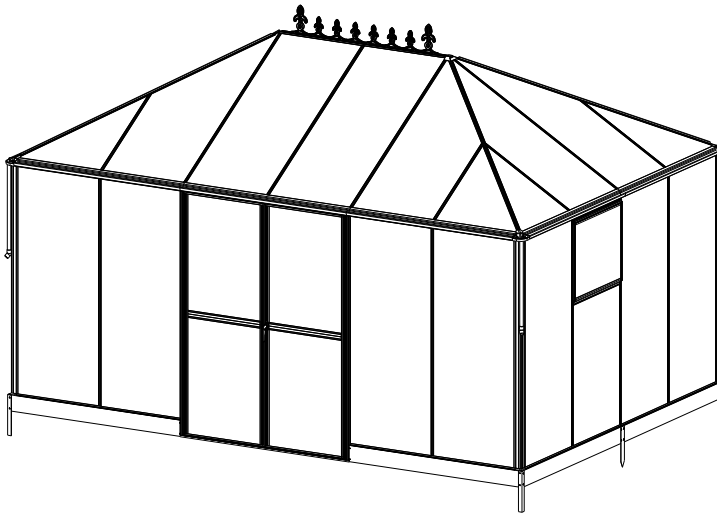


Assembly Instructions

MODEL:AMG604

PRODUCT SIZE(LxWxH): 14X10

PLEASE READ CAREFULLY BEFORE ASSEMBLY



Greenhouse 14x10 FT Assembly Instruction

SKU:

1007040043B(BOX 1/4)

1007040044B(BOX 1/5)

1007040045B(BOX 2/4(PC)&3/5(HB))

1007040046B(BOX 3/4(PC)&4/5(HB))

1007040047B(BOX 4/4(PC)&5/5(HB))

1007040048B(BOX 2/5)

Arrive in 4 or 5 separate boxes and may not be part of the same shipment; Please install the product after receiving all the packages.

Email Address:cs@howedirect.com

Tel: 901-347-2181

Service Time: 8 am - 5 pm (central time) Monday- Friday.

If no one picks up, please call several more times

2023/10/20

CONTENTS

1. Assembly Advice	Page 1
2. Product Features	Page 2
3. Parts List	Page 3 -7
4. Door Assembly	Page 8 - 11
5. Roof Vent Assembly	Page 12 - 14
7. Base Assembly	Page 15-17
8. Framework & Glazing Assembly	Page 18 - 36

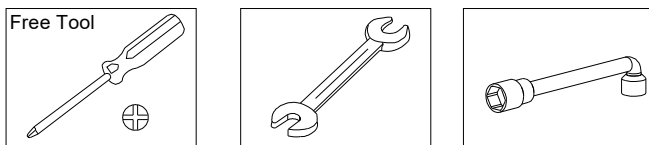
CONTENTS

1. Assembly Advice	Page 1
2. Product Features	Page 2
3. Parts List	Page 3 -7
4. Door Assembly	Page 8 - 11
5. Roof Vent Assembly	Page 12 - 14
7. Base Assembly	Page 15-17
8. Framework & Glazing Assembly	Page 18 - 36

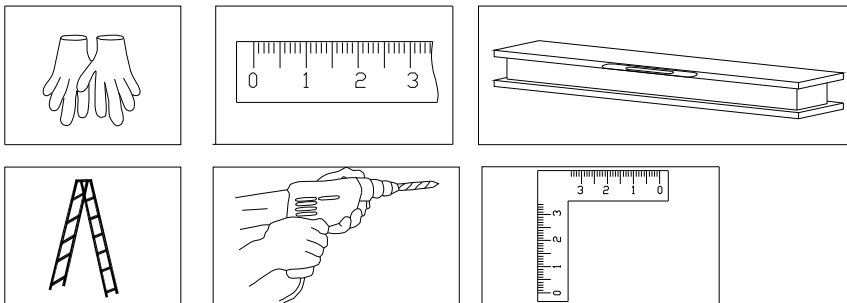
Assembly and Maintenance Advice

1. For safety purposes, we strongly recommend that this product is assembled by at least two people.
2. Some components have sharp metal edges. Please be careful when handling metal components. Please wear gloves, shoes and safety goggles during assembly.
3. Lay all of the components on a soft carpet or blanket to avoid any scratches or damages.
4. DO NOT climb or stand on the roof. Heavy articles should not be leaned against the greenhouse.
5. Keep the roof and gutter clear of snow, dirt & leaves. Allowing snow to build up on the roof may damage the product.
6. Unlike steel, if the paint finish is scratched this will not harm the aluminium underneath.
7. When your product needs cleaning, use a mild detergent solution and rinse with cold clean water. Do not use acetone, abrasive cleaners or strong detergents to clean the panels.

Tools Provided:



Tools Required when Assembly (Not Provided)



Assembly at least by two Persons

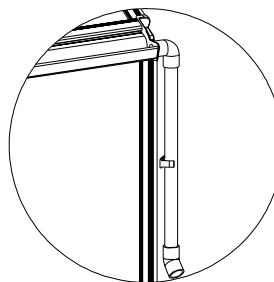


Important:

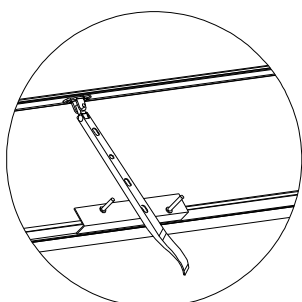
Rubber is not provided if you choose polycarbonate sheet as glazing panel.

Functions and Features:

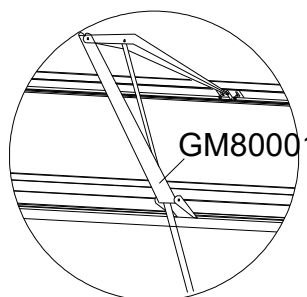
1. The strong two part eaves beam includes an integral gutter. Downpipes are also included as standard so you can collect rainwater.



2. Manual window handles are included as standard with the roof vents. If required, automatic roof vent openers are available as an inexpensive optional extra.



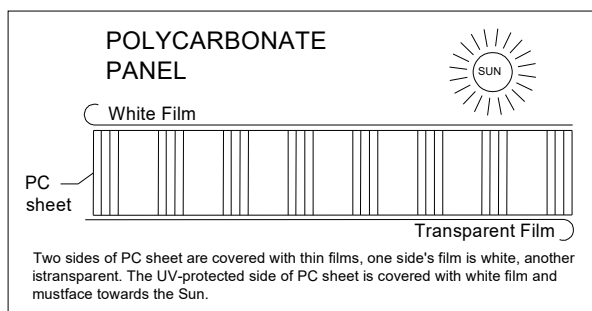
Manual Opener



Automatic Opener

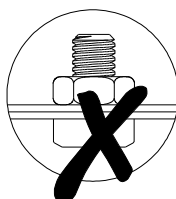
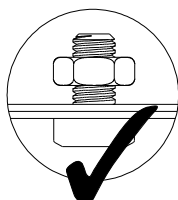
GM80001 is sold separately

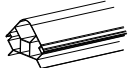


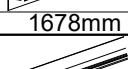

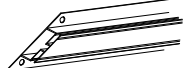
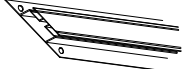

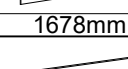
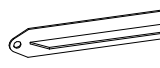
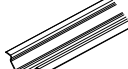
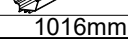
3. Remove approximately 2 inches of film from all sheet edges before installing and remove all film immediately after the construction is completed. Please ensure that the side with the white film faces outwards.

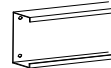




4. This quality greenhouse features self-tapping screws to provide strong joints. As the name suggests, the screws tap their own thread. Driving in self-tapping screws requires more force than conventional screws. A powered screwdriver is therefore recommended.

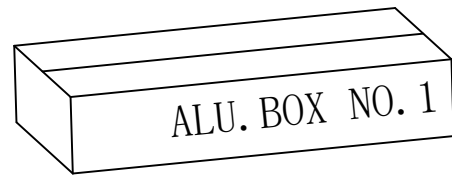
5. Nuts not to be tightened before the end of assembly! Unless otherwise stated, do not tighten the bolts/nuts/screws until the shed is finally erected!



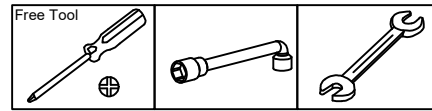
	PART	NO	QTY
1		L01A	4
	1678mm		
2		L02A	5
	1678mm		
3		L02B	2
		L02C	2
4		L02F	2
	1570mm		
5		L02D	4
	812mm		
6		L02E	4
	812mm		
7		L03C	2
		L03F	2
8		L05A	9
	1343mm		
9		L09C	2
		L09D	2
	1016mm		





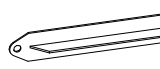
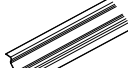
PART	NO	QTY
	A1	4
	B1	4
A1:1412 B1:1424		




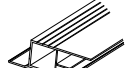
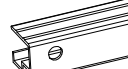

	J128	3
	J148	2


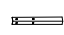
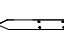
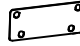


Tools Provided:

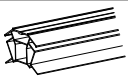
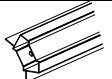
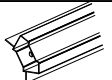



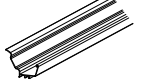
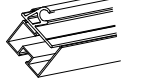

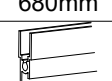



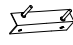
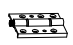



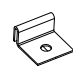





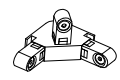
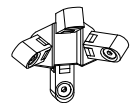
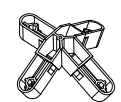
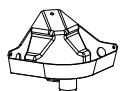

	PART	NO	QTY
1		L03A	1
	1798mm	L03B	1
2		L03D	4
	1570mm		
3		L03E	2
	1560mm		
4		L04A	2
	657mm		
5		L05B	6
	1337mm		
6		L09E	2
	2050mm		

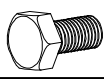
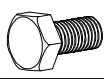

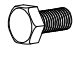
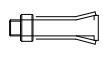






	PART	NO	QTY
7		L15A	4
	649mm		
8		L16A	2
	1782mm		
9		L17	2
	586mm		
10		L18A	1
	1782mm	L18B	1
11		L19	4
	648mm		
12		L30	4
	2033mm		

PART	NO	QTY
	C1	1
	D306	4
	D307	4
	D330	2

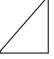
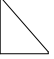


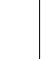


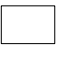



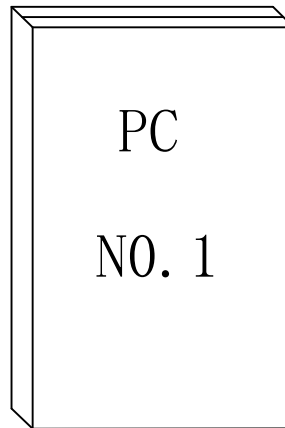
	PART	NO	QTY
1		L06A	1
	1344mm		
2		L07A	2
	1344mm		2
			2
3		L07B	2
	1344mm		2
			2
4		L08A	2
	1344mm		2
			2
5		L08D	1
	1344mm	L08E	1
6		L08A	1
	A:1344 F:1392	L08F	1
7		L09A	2
	1356mm	L09B	2
8		L11B	2
	680mm	L12A	2
9		L20	2
	680mm		
10		L21	2
	680mm		
11		L25	4
	650mm		


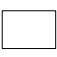

	PART	NO	QTY
		A03	2
		A51	4
		A79	2
		D05	25
		D25	6
		D114	18
		D328	4
		J92	4
		J93	4
		A96	4
	J169		
		A98	6
	J171		
		A99	4
	J174		
		A100	4
	J175		
		A101	2
	J176		
		J177	4
		J178	2

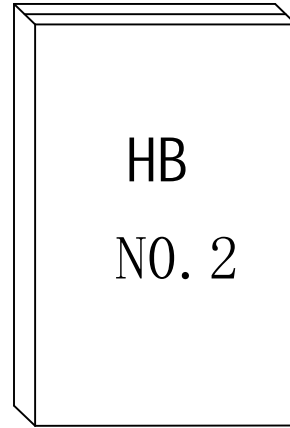
	PART	NO	QTY
		S01 M6X12	48
		S20 M5X10	169
		S26 M5X12	80
		S28 M4X10	4
		S69 M6X60	18
		M01 M6	48
		M02 M4	4
		M08 M5	177
		Z02 Ø4X16D	26
		Z08 M4.2X16	20
		Z17 M4.8X16	8

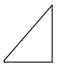
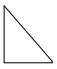






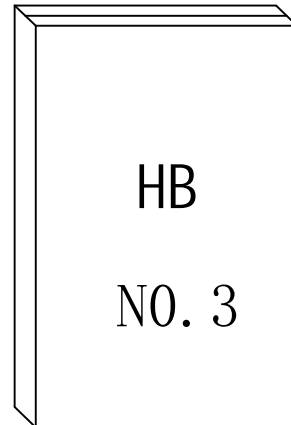
PART	NO	QTY
	Y1	4
801X678mm		
	Y2	4
801X678mm		
	Y3	4
1595X678mm		
	Y4	4
1595X678mm		
	Y5	4
1598X678mm		
	Y6	16
1702X678mm		
	Y7	2
1001X678mm		
	Y10	2
615X678mm		
	Y11	4
875X606mm		




PART	NO	QTY
	Y7	2
1001X678mm		
	Y10	2
615X678mm		
	Y11	4
875X606mm		

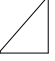
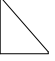





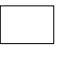
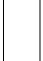


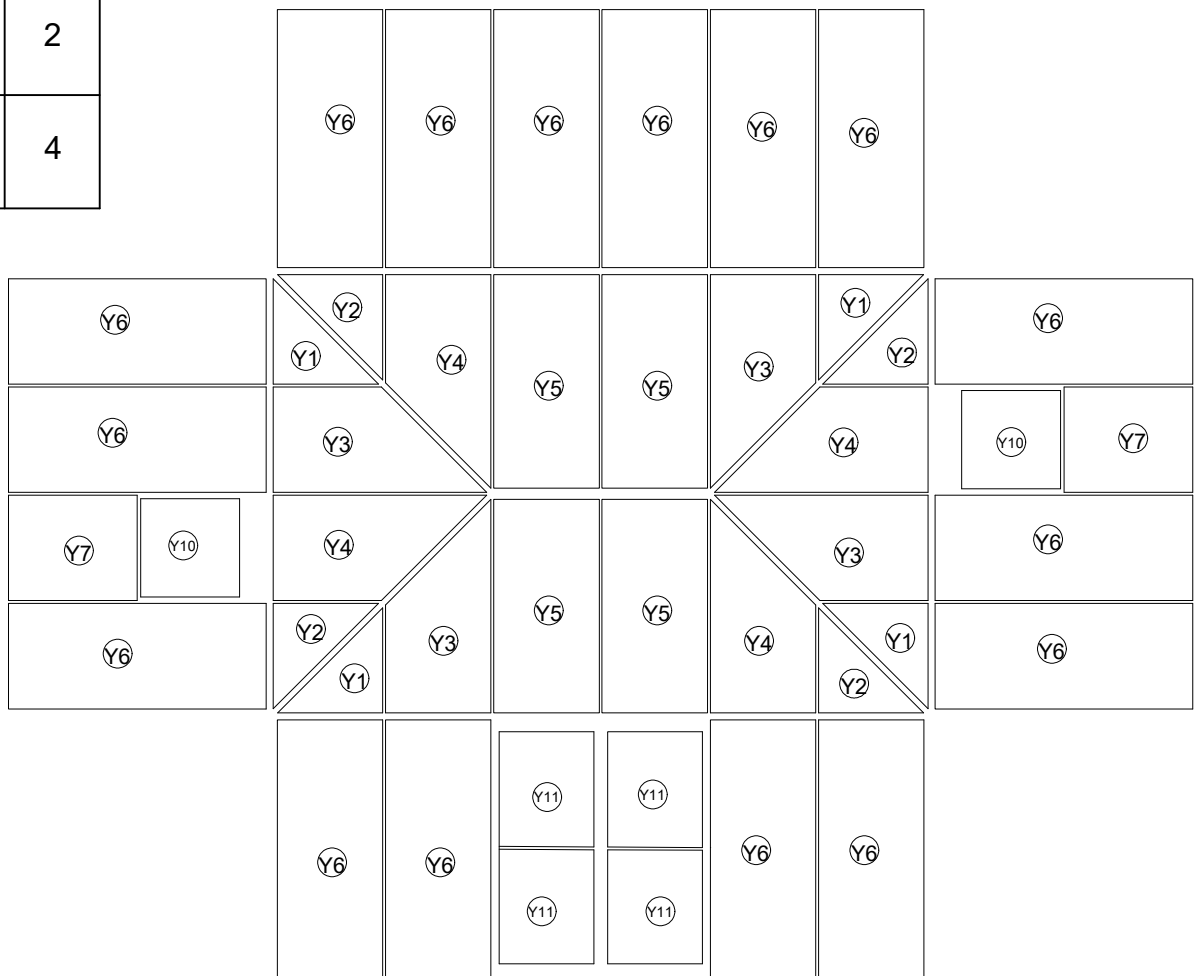
PART	NO	QTY
	Y1	4
801X678mm		
	Y2	4
801X678mm		
	Y3	4
1595X678mm		
	Y4	4
1595X678mm		
	Y5	4
1598X678mm		
	Y6	16
1702X678mm		



PART	NO	QTY
	J190	94M

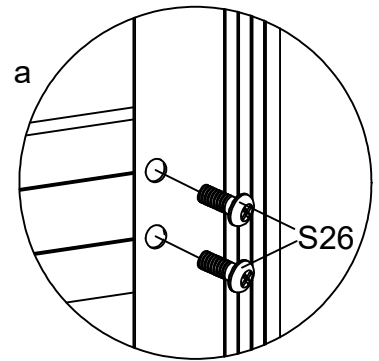
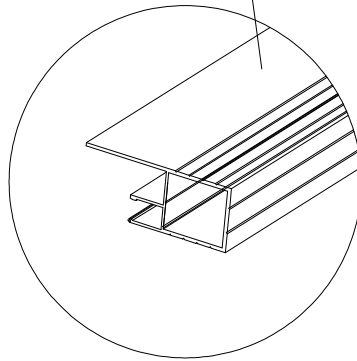
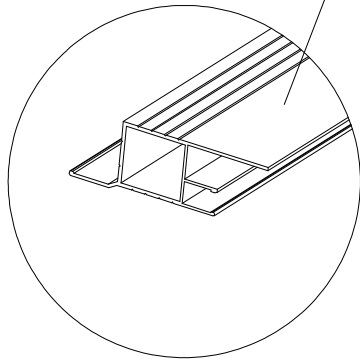
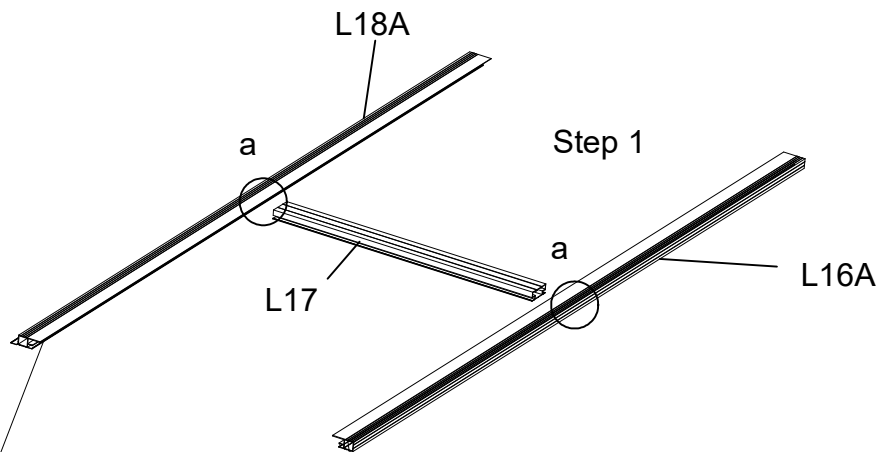
Panel Exploded View

PART	NO	QTY
	Y1	4
801X678mm		
	Y2	4
801X678mm		
	Y3	4
1595X678mm		
	Y4	4
1595X678mm		
	Y5	4
1598X678mm		
	Y6	16
1702X678mm		
	Y7	2
1001X678mm		
	Y10	2
615X678mm		
	Y11	4
875X606mm		



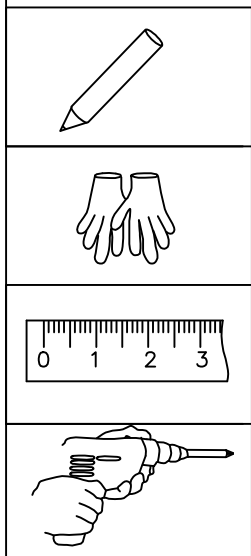
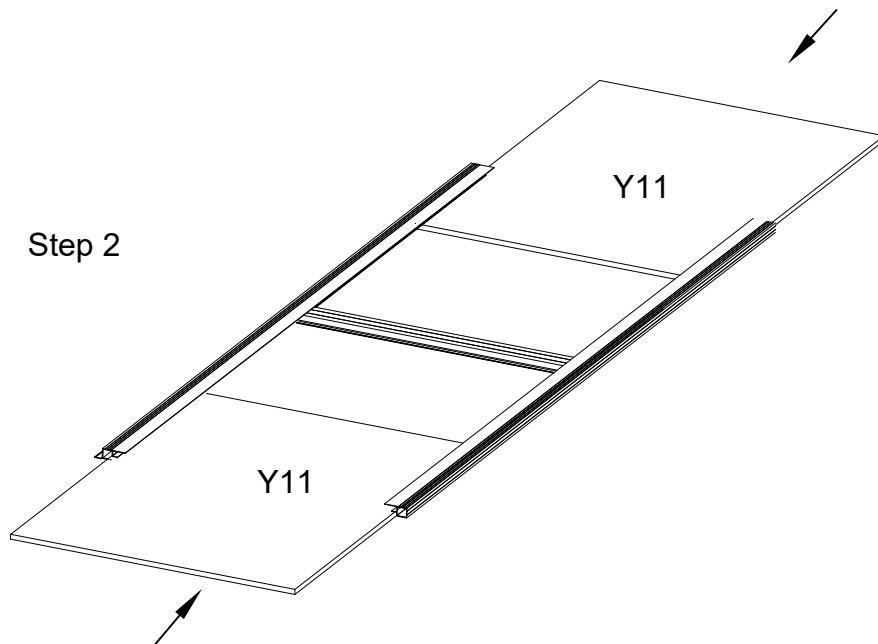
PART	NO	QTY
	L15A	2
	L16A	1
	L17	1
	L18A	1
	S26 M5X12	8
	M08	4
	M5	
	Y11	2

Left Door

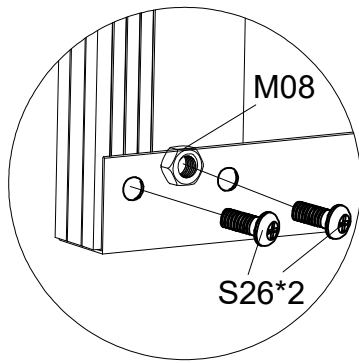
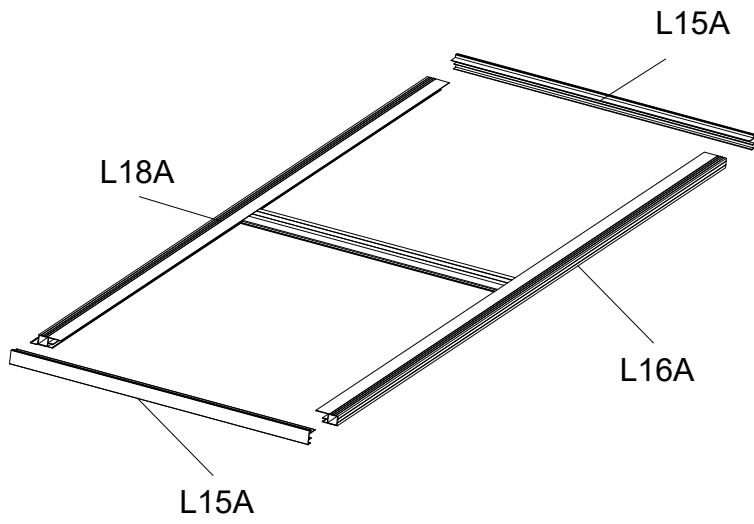


! Attention: Check the direction of the accessories

Step 2

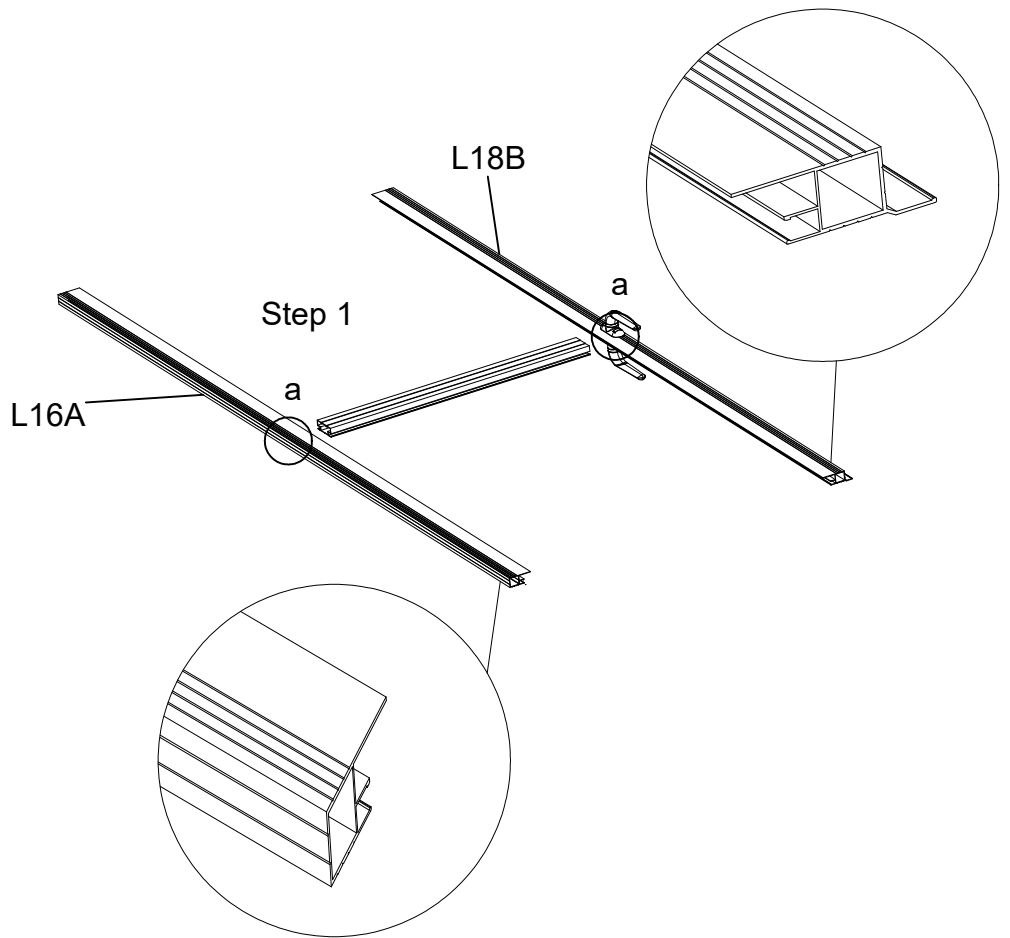


! Attention: Remove the protective films from both sides of each polycarbonate panel, before inserting into aluminum channels. Ensure the milky white film faces towards the Sun.

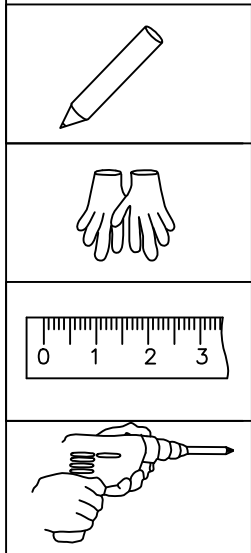
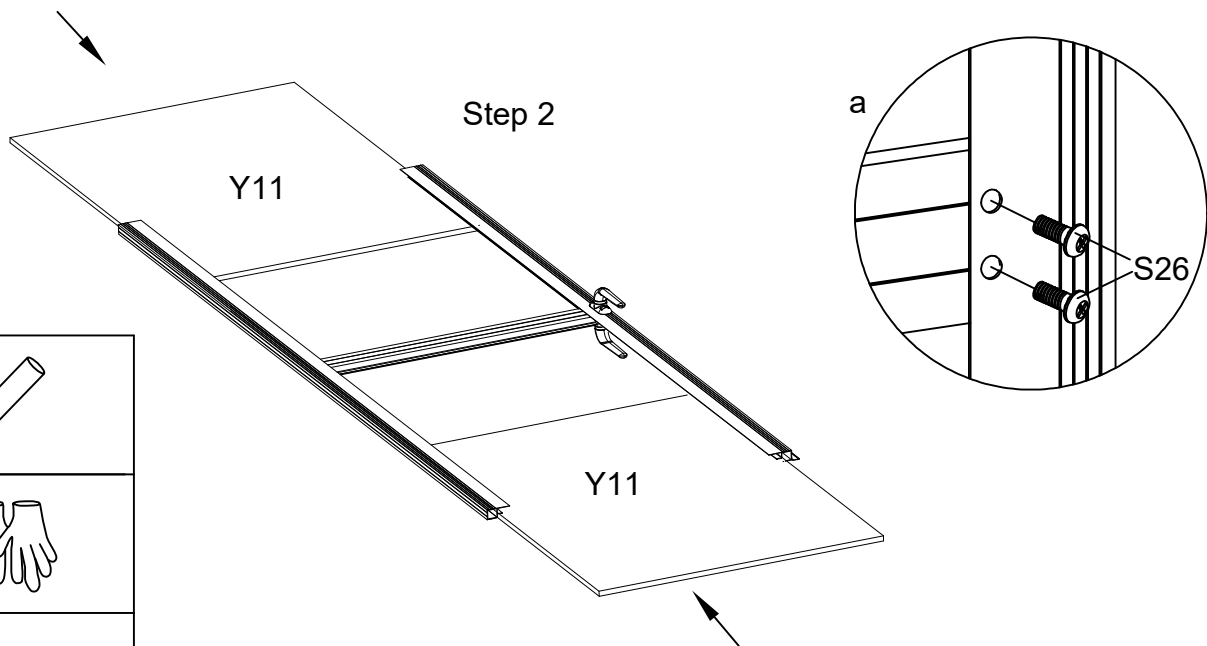


PART	NO	QTY
	L15A	2
	L16A	1
	L17	1
	L18B	1
	S26 M5X12	8
	M08	4
	M5	
	Y11	2

Right Door

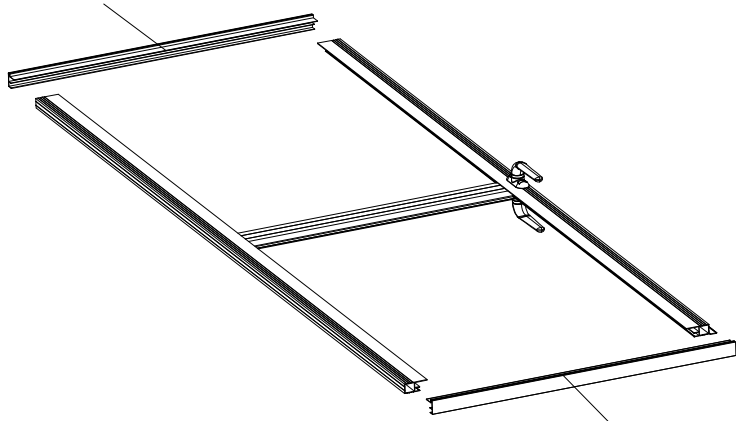


! Attention: Check the direction of the accessories

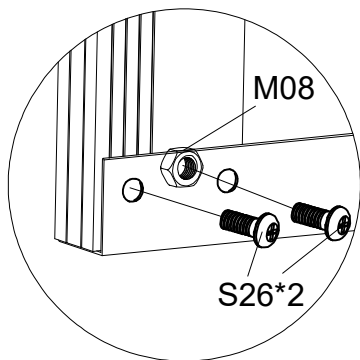


! Attention: Remove the protective films from both sides of each polycarbonate panel, before inserting into aluminum channels. Ensure the milky white film faces towards the Sun.

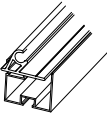
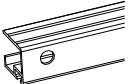
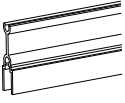
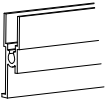
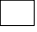


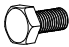

L15A

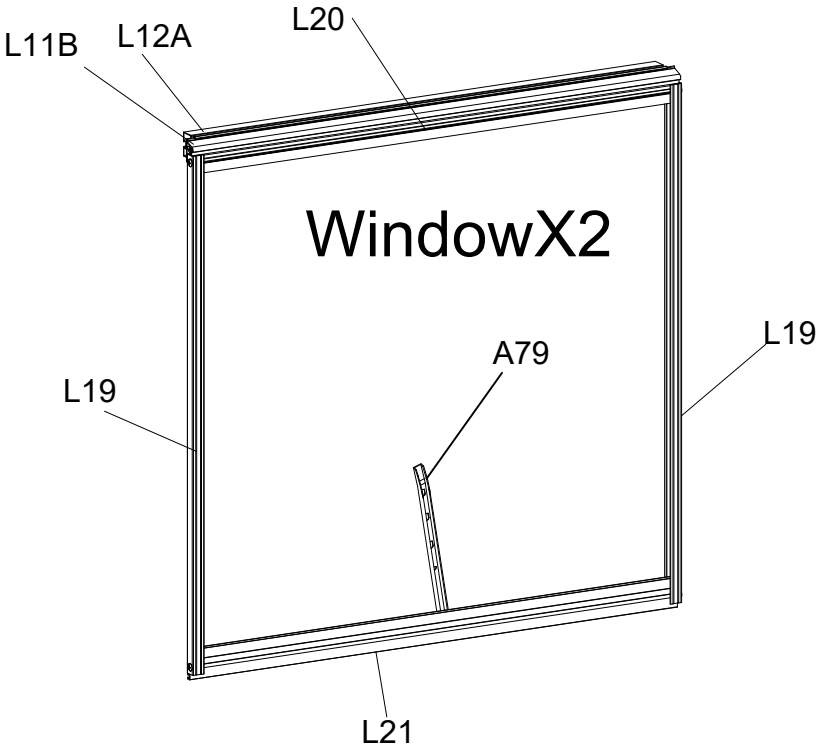


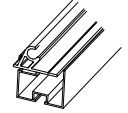
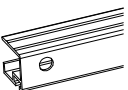

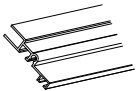
L15A




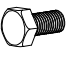



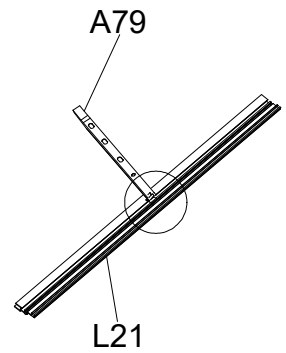
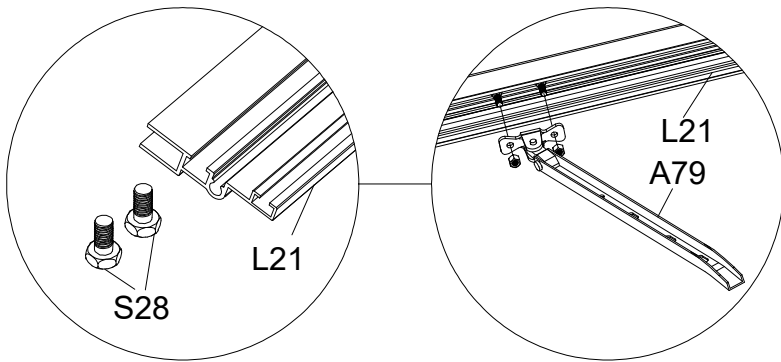
Exploded View

PART	NO.	QTY.
	L11B	2
	L12A	2
	L19	4
	L20	2
	L21	2
	Y10	2
	A79	2
	Z02 Ø4X16D	12
	S28 M4X10	4
	M02 M4	4



PART	NO.	QTY.
	L11B	1
	L12A	1
	L19	2
	L20	1
	L21	1

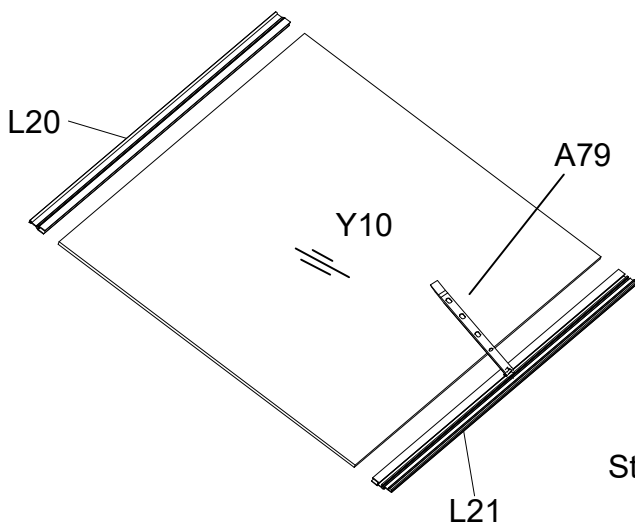
Part	NO.	QTY.
	Y10	1
	A79	1
	Z02	6
	Ø4X16D	
	S28	2
	M4X10	
	M02	2
	M4	



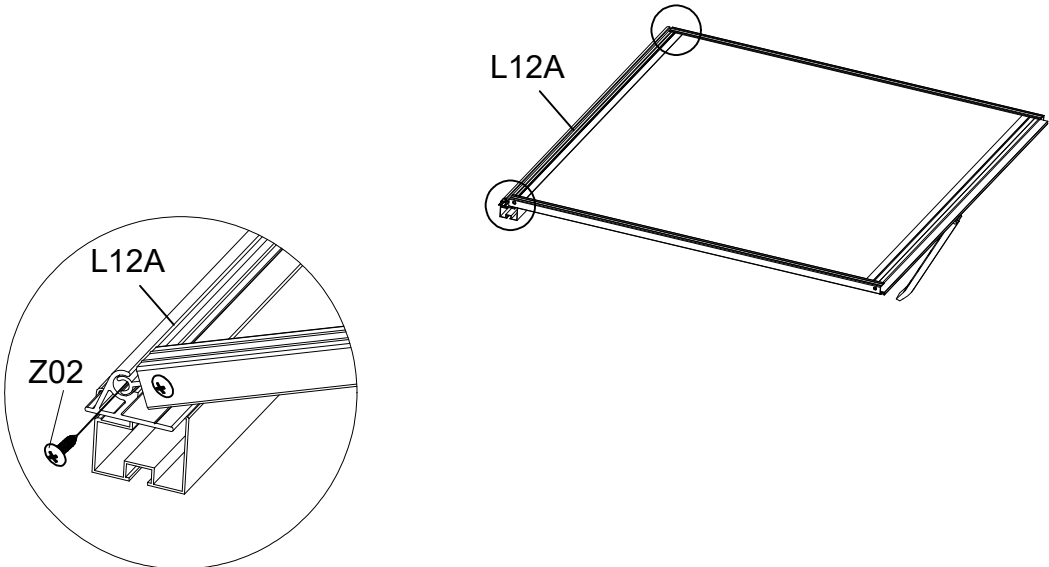
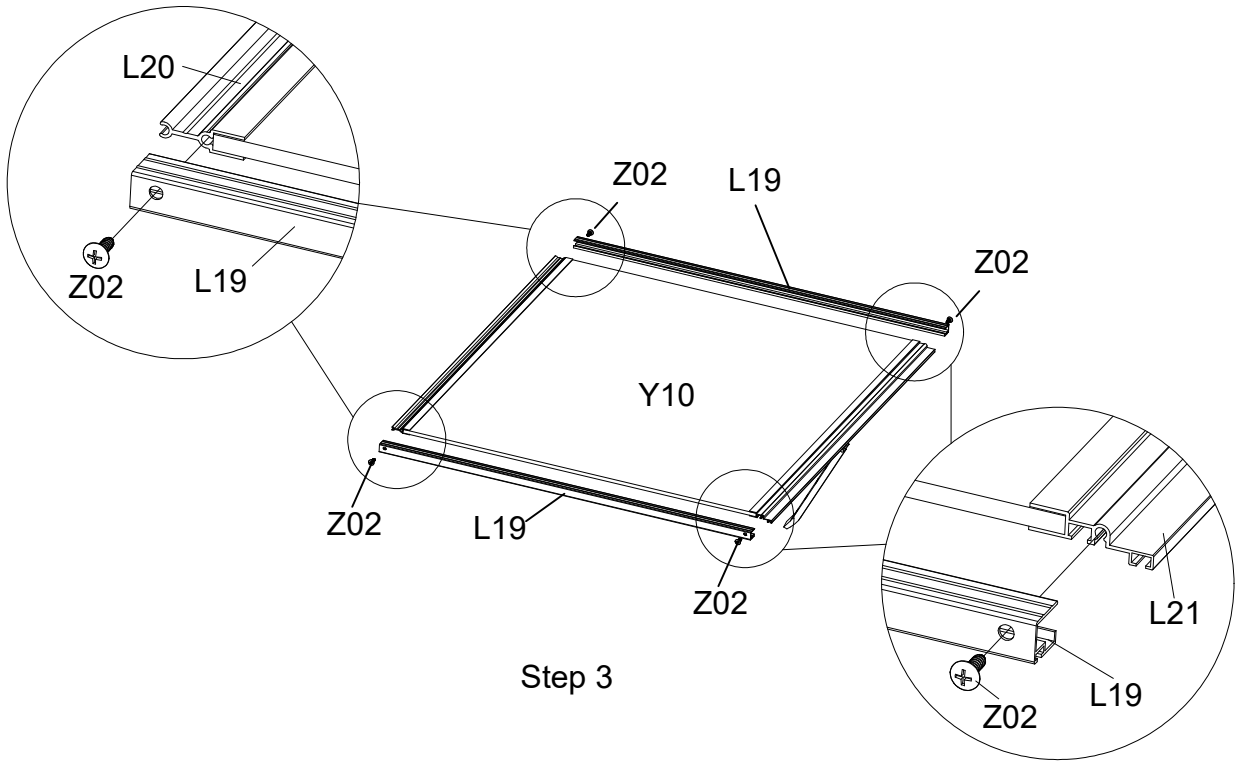
Step 1



! Attention: Remove the protective films from both sides of each polycarbonate panel, before inserting into aluminum channels. Ensure the milky white film faces towards the Sun.



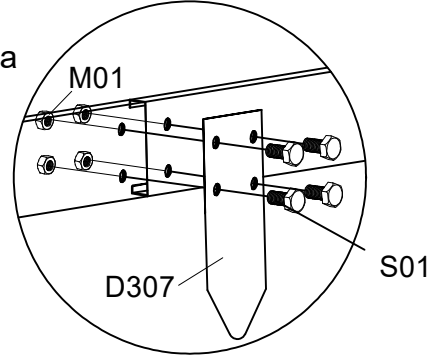
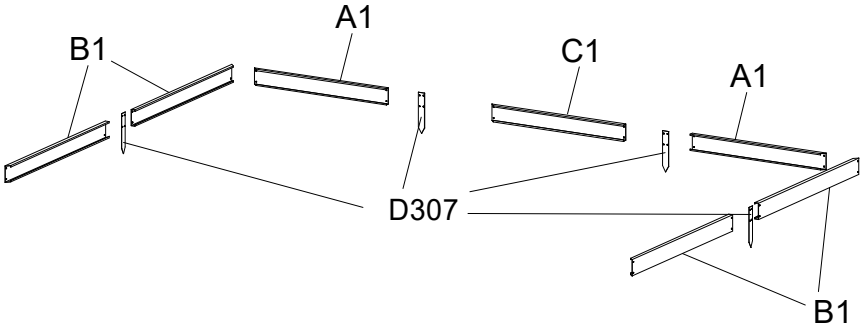
Step 2



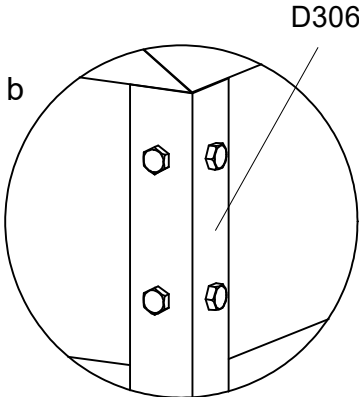
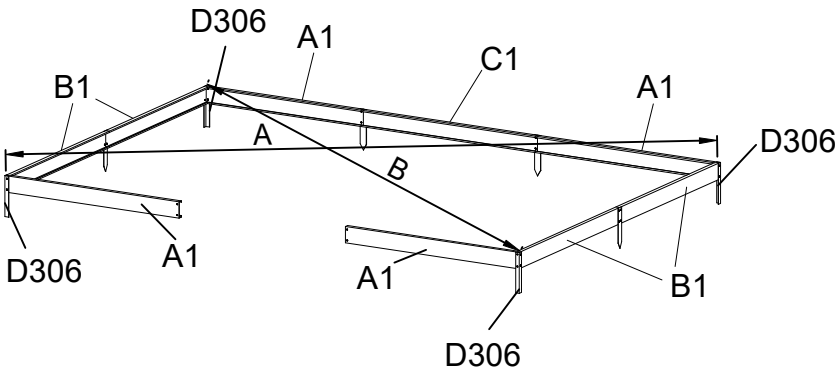
Four windows are standard

Base Assembly

PART	NO	QTY
	A1	4
	B1	4
	C1	1
	D306	4
	D307	4
	S01 M6X12	32
	M01 M6	32



Attention! D306 and D307 must be inserted into the soil or installed in reverse!!



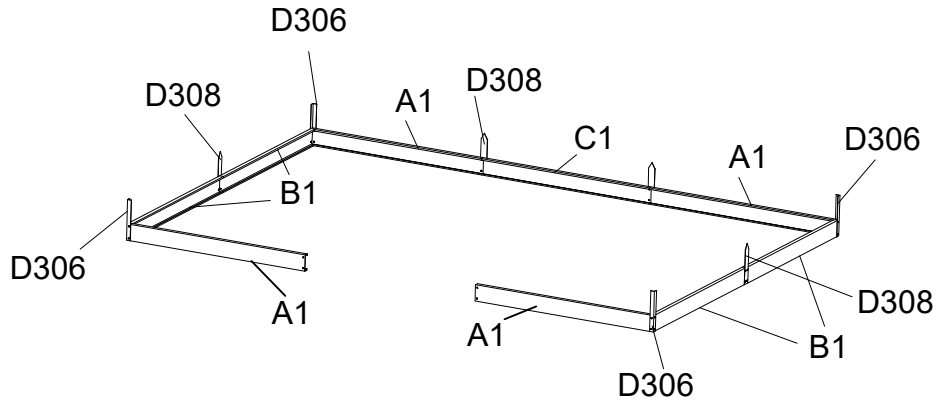
Ⓐ = Ⓑ



Fix the base before assembly the greenhouse. This is the way to fix the base.

Base Assembly

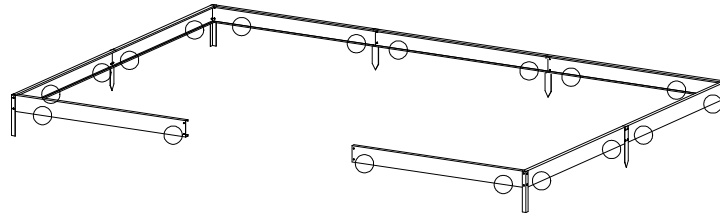


! Attention: Turn over the steel plinths D306 & D367 & D308 to complete the base installation as shown below, when the greenhouse is NOT inserted and secured into the soft soil.

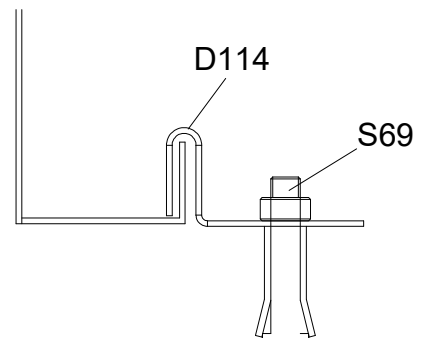
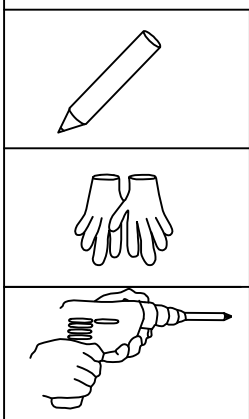
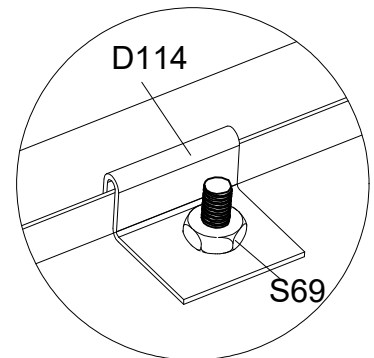
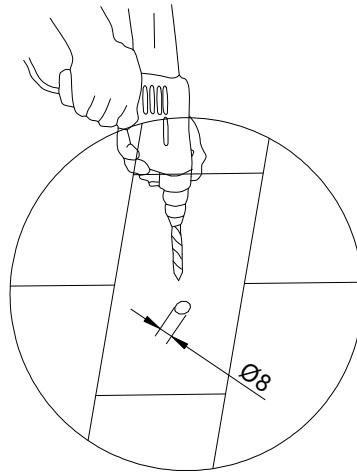
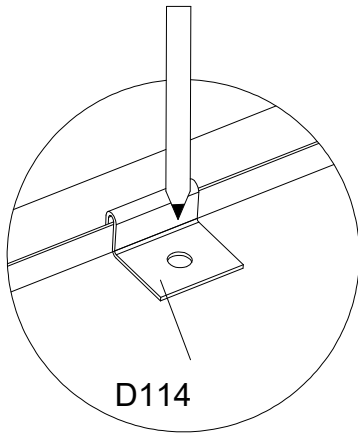
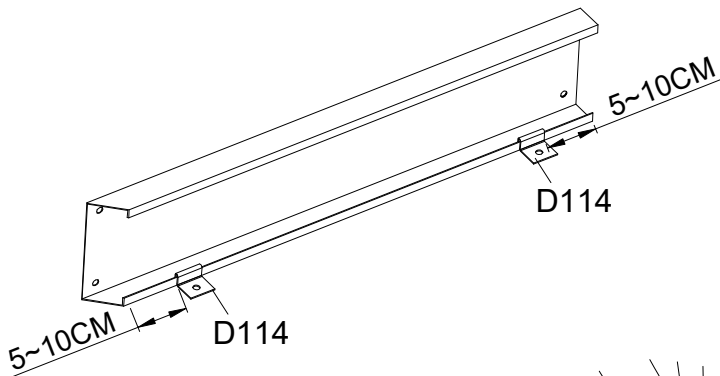


PART	NO	QTY
	D114	18
	S69 M6X60	18

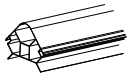
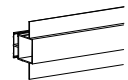

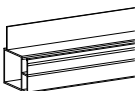


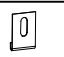
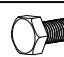


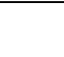




Base Assembly

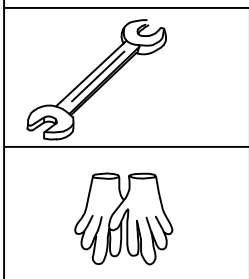
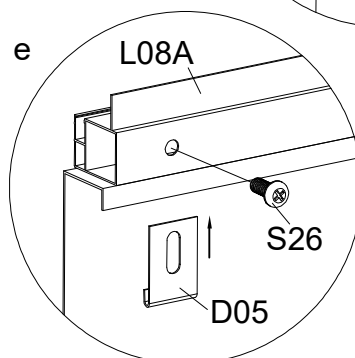
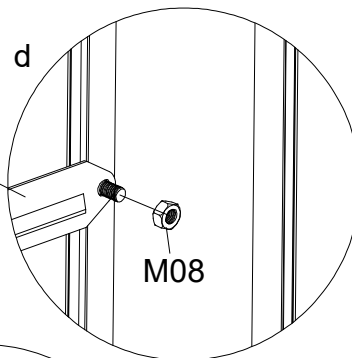
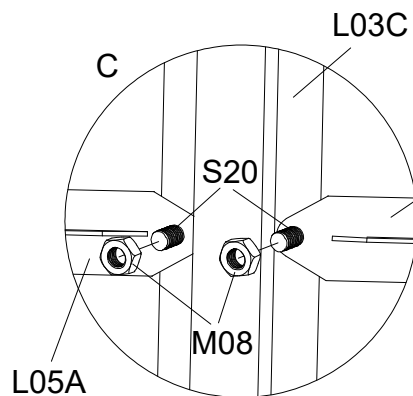
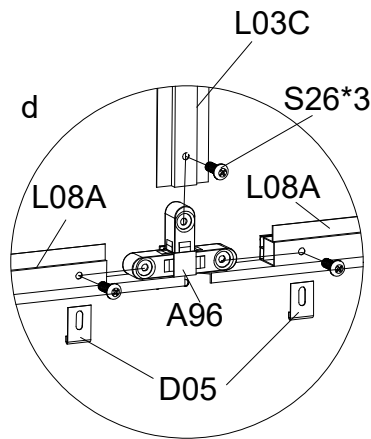
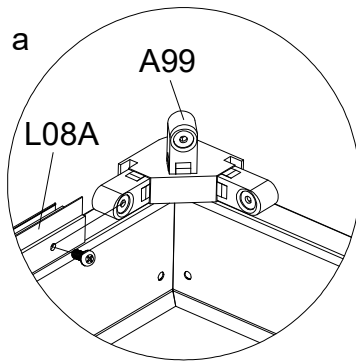
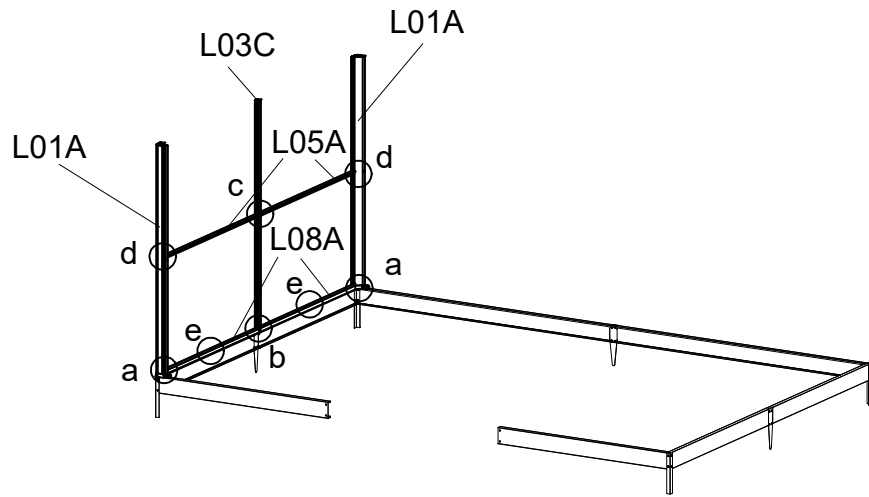


1. Fix the base anchor clip D114 onto each base section with a distance of 5~10CM from each end.
2. Mark the middle of the D114 hole to drill the $\text{Ø}8$ hole, then use S69 to fix the D114 to the ground

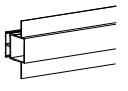
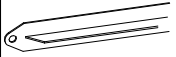

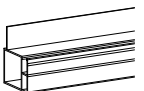
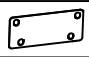


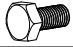

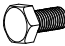




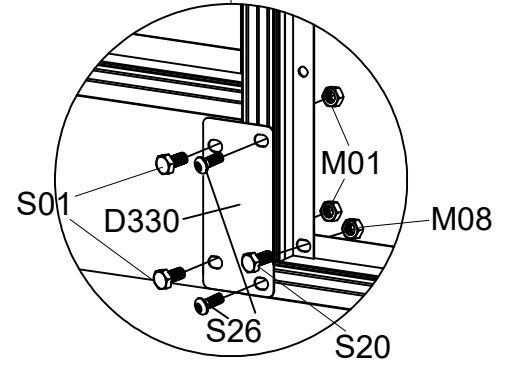
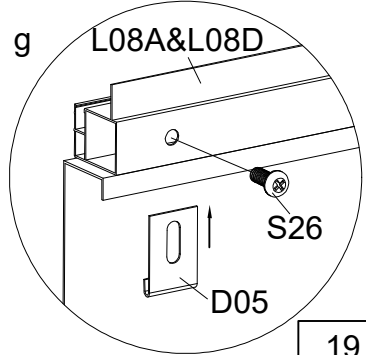
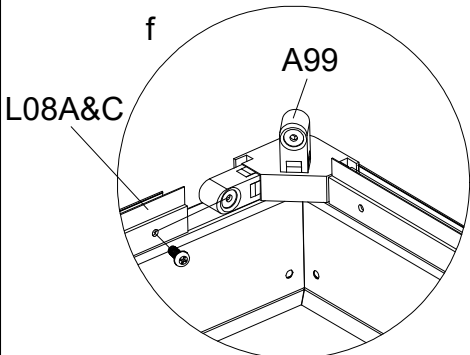
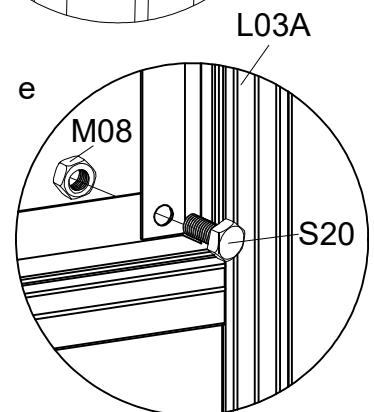
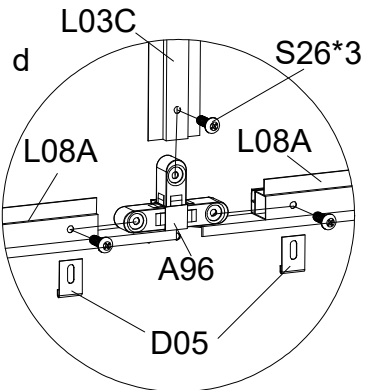
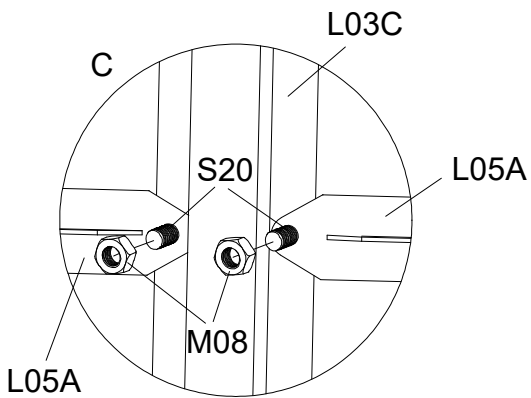
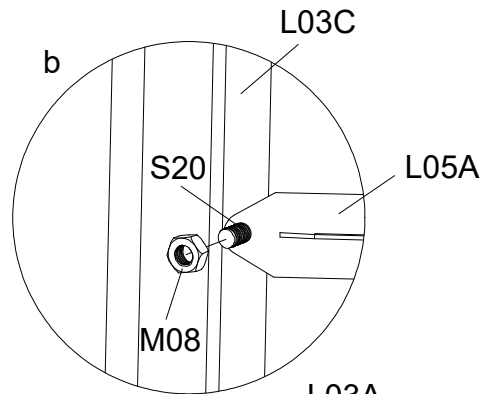
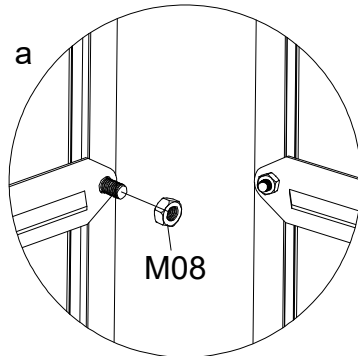
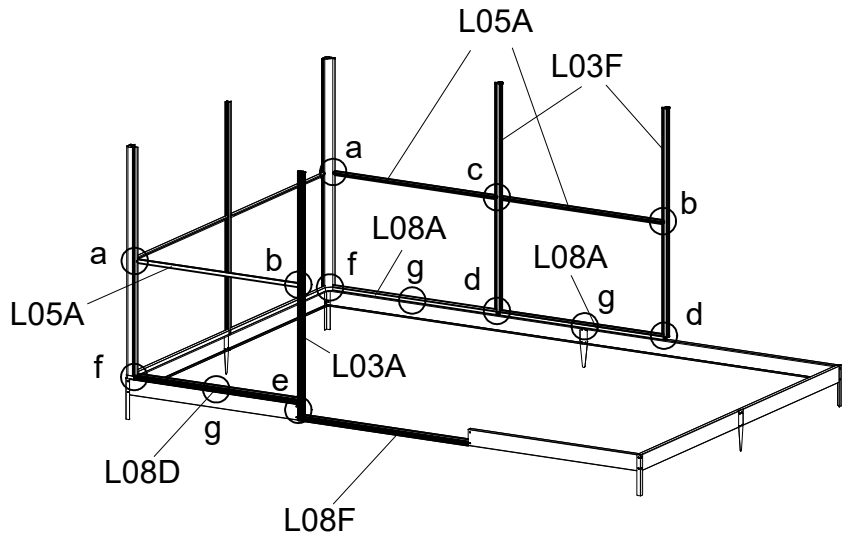
Wall Assembly

PART	NO	QTY
	L01A	2
	L03C	1
	L05A	2
	L08A	2
	A96	1
	J169	
	A99	2
	J174	
	D05	6
	S20	4
	M5X10	
	M08	4
	M5	
	S26	7
	M5X12	

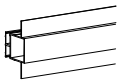
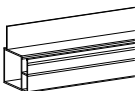
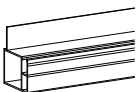
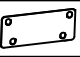



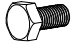






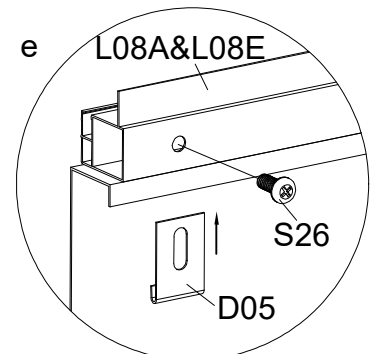
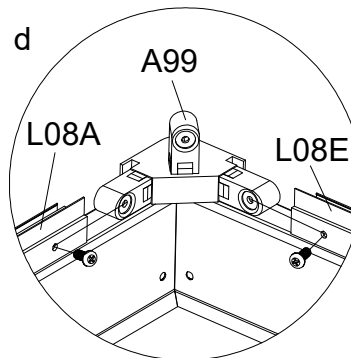
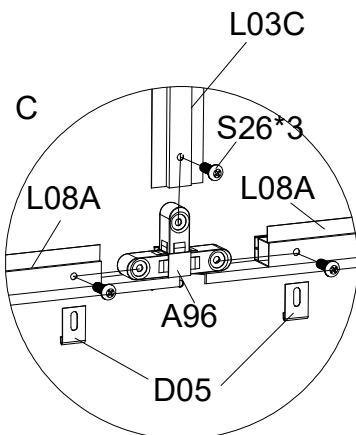
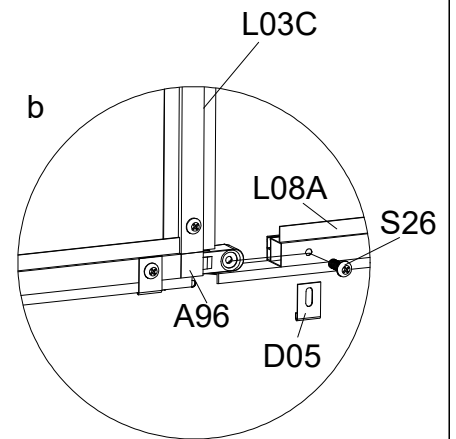
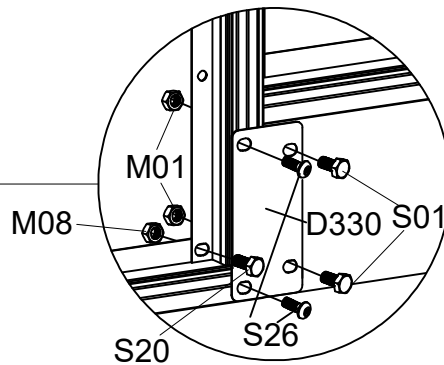
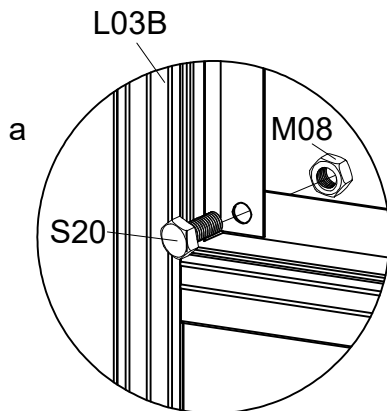
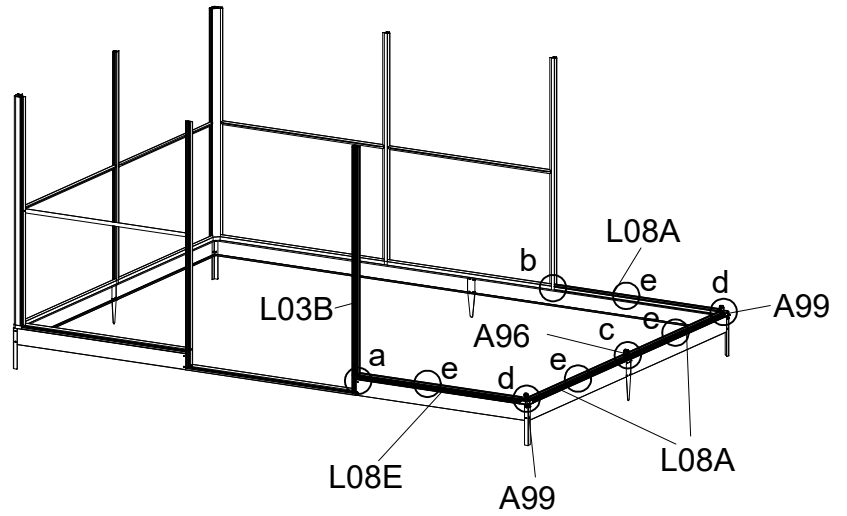
Wall Assembly

PART	NO	QTY
	L03A	1
	L03F	2
	L05A	3
	L08A	2
	L08D	1
	L08F	1
	D330	1
	D05	8
	A96	2
	J169	
	S01	2
	M6X12	
	M01	2
	M6	
	S20	7
	M5X10	
	M08	7
	M5	
	S26	12
	M5X12	

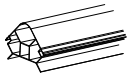
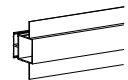

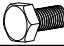




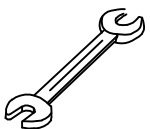
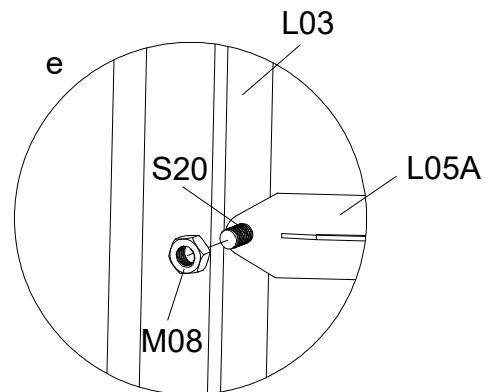
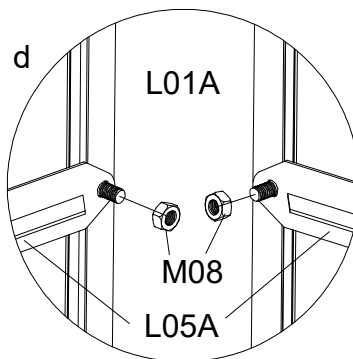
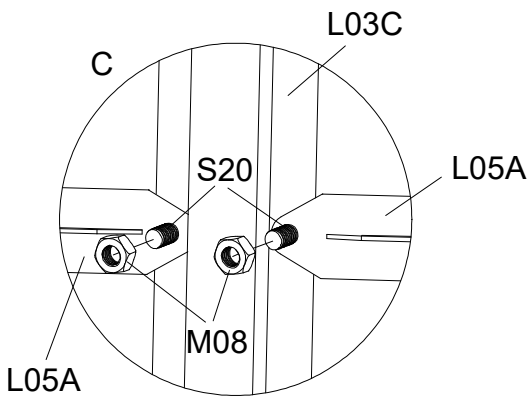
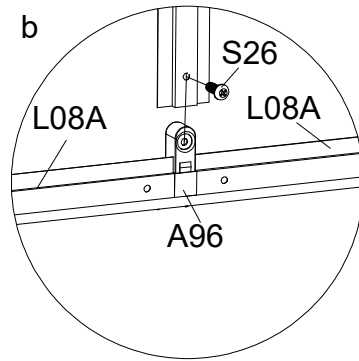
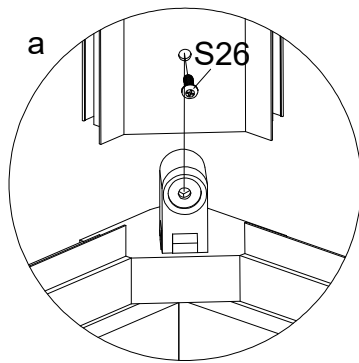
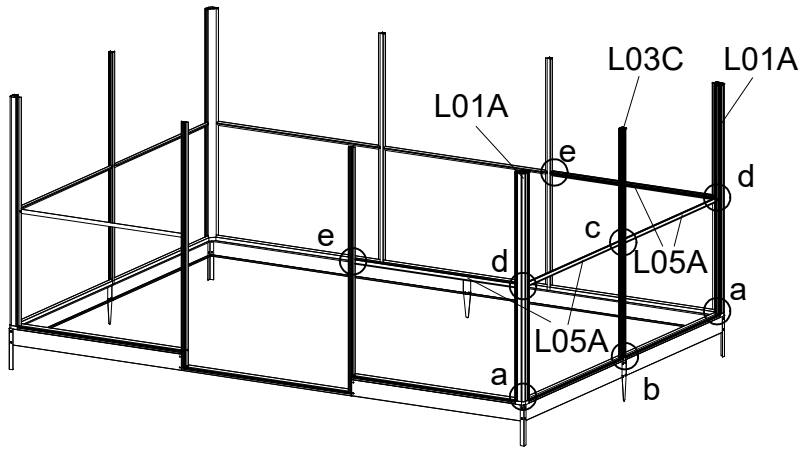
Wall Assembly

PART	NO	QTY
	L03B	1
	L08A	3
	L08E	1
	D330	1
	D05	11
	A96 J169	1
	A99 J174	2
	S01 M6X12	2
	M01 M6	2
	S20 M5X10	2
	M08 M5	2
	S26 M5X12	13

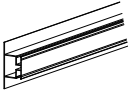
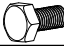



Wall Assembly

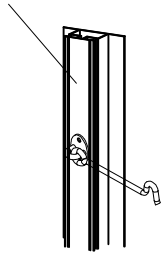
PART	NO	QTY
	L01A	2
	L03C	1
	L05A	4
	S20 M5X10	8
	M08 M5	8
	S26 M5X12	3



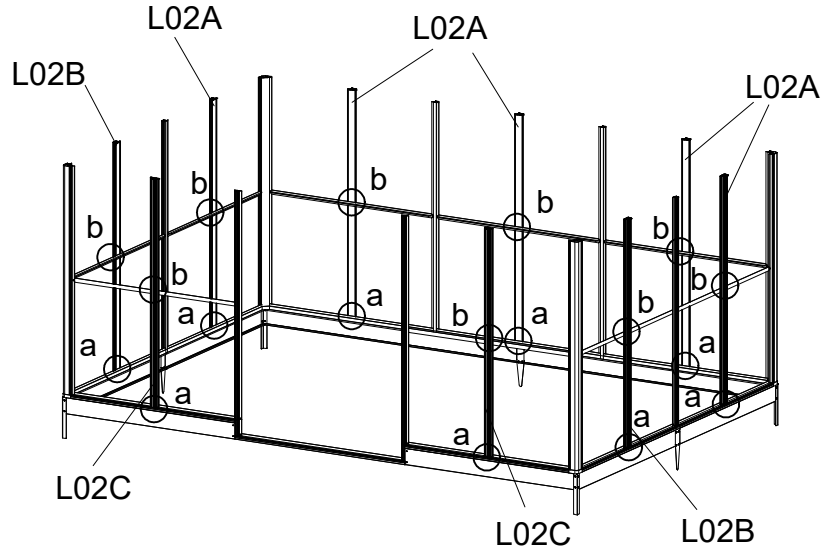
Wall Assembly

PART	NO	QTY
	L02A	5
	L02B	2
	L02C	2
	S20 M5X10	18
	M08 M5	18
	S26 M5X12	18

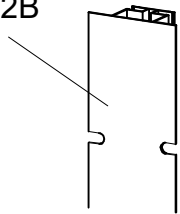
L02C



Install the L02C air hook close to the end face upwards

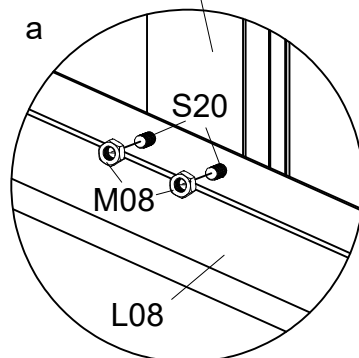


L02B

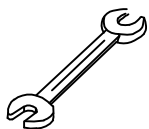
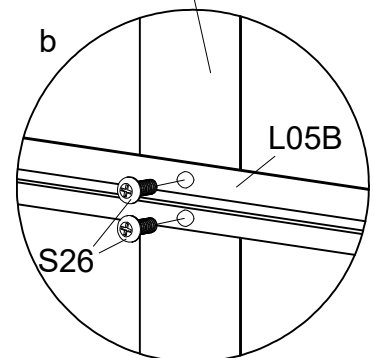


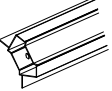





Install the L02B with notch closer to the end face upwards

L02A&L02B&L02C

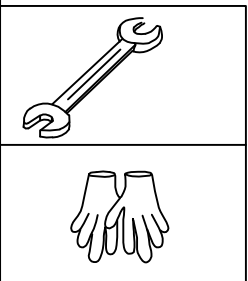
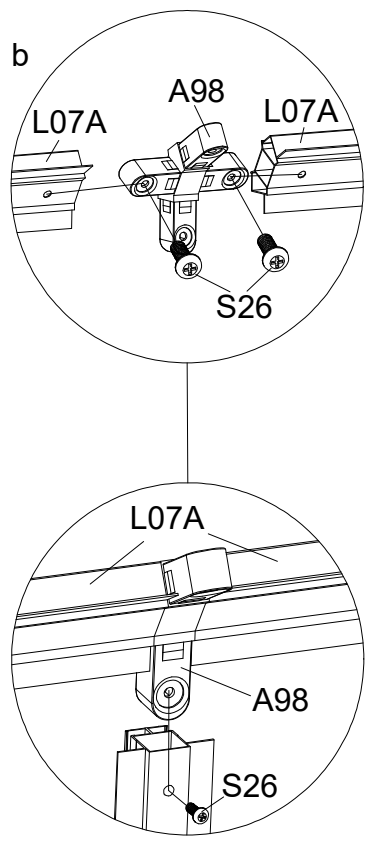
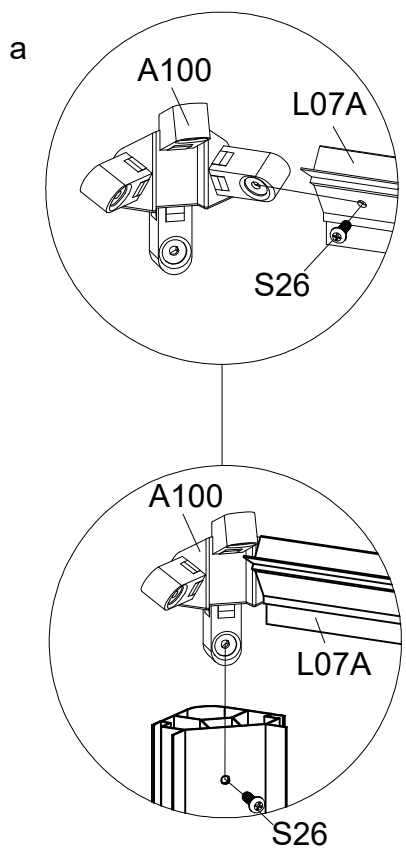
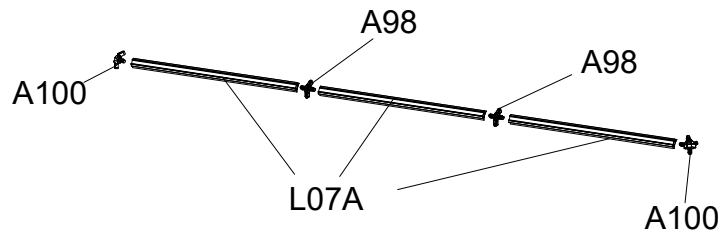
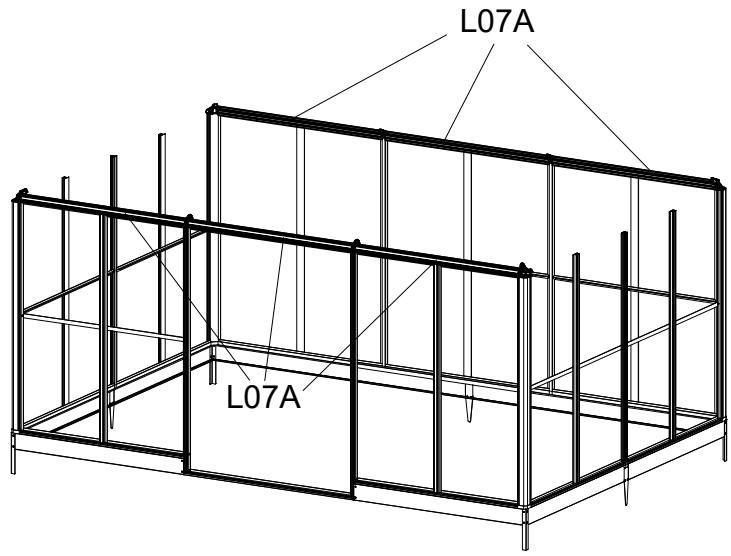


L02A&L02B&L02C

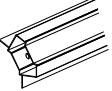




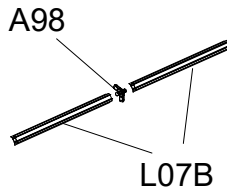
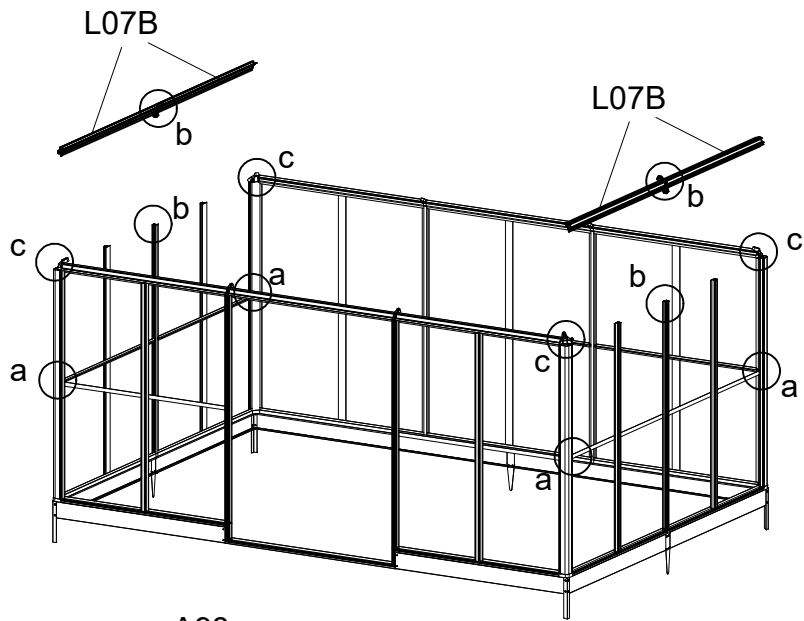
PART	NO	QTY
	L07A	6
	A98	4
	J171	
	A100	4
	J175	
	S26 M5X12	20

Wall Assembly

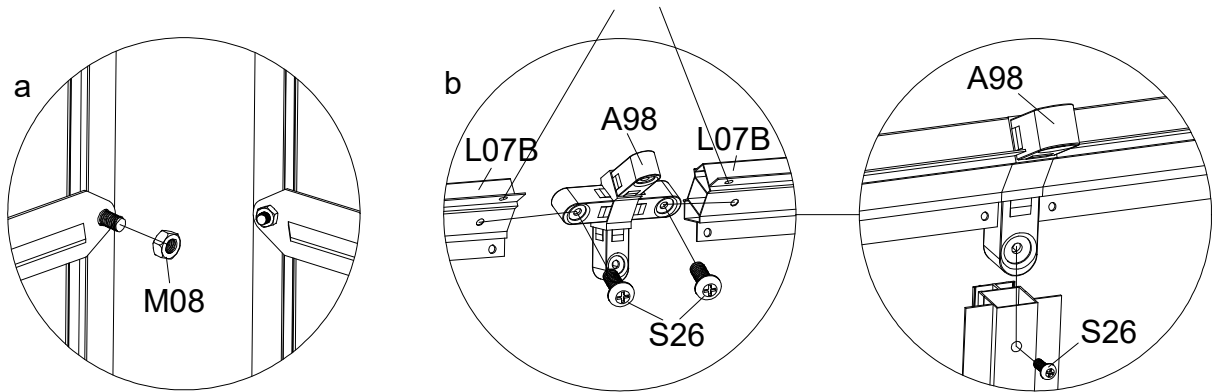


Wall Assembly

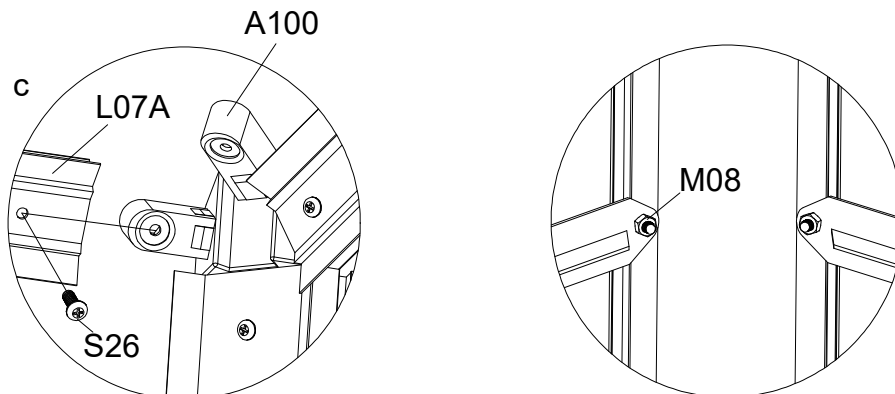
PART	NO	QTY
	L07B	4
	A98 J171	2
	S26 M5X12	10



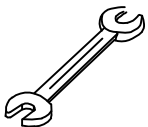
Connect the end of L07B with a hole on the end face to A98





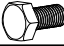

Before installing L07A, loosen M08 that is fixed to L01A and L05B

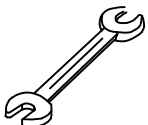
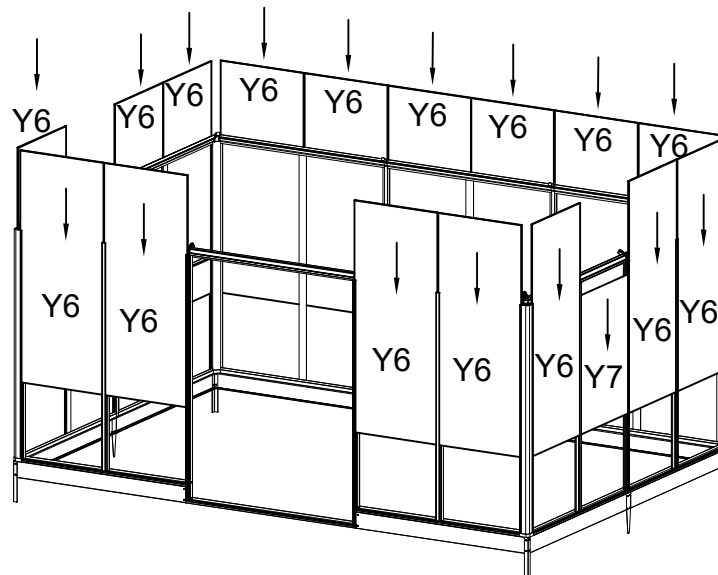
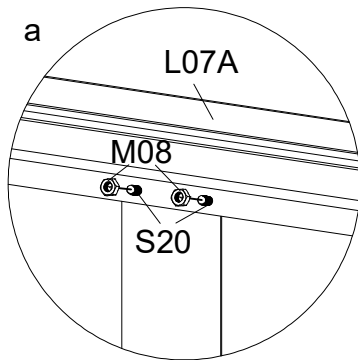
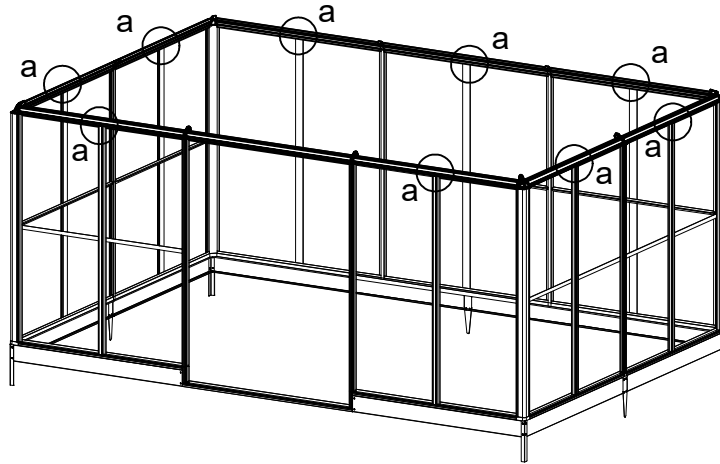


After installing L07A, replace the removed M08






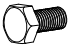


Wall Assembly

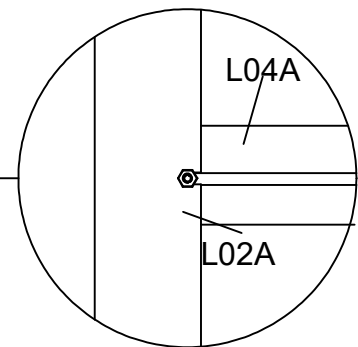
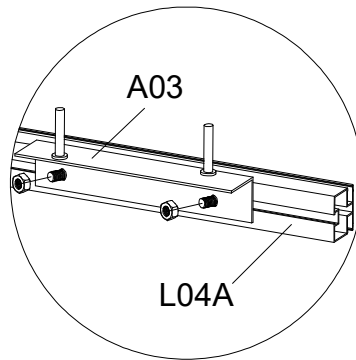
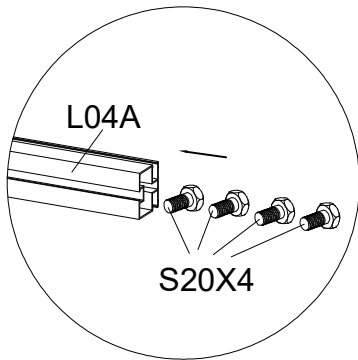
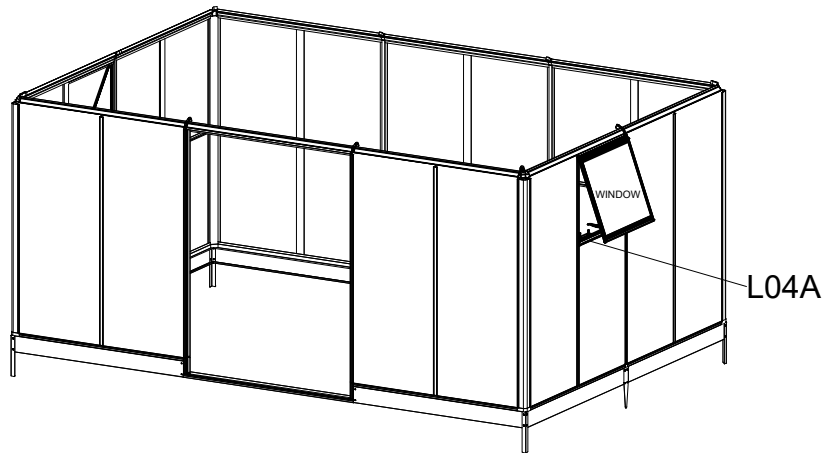
PART	NO	QTY
	Y6	16
	Y7	2
	S20	18
	M5X10	
	M08	18
	M5	



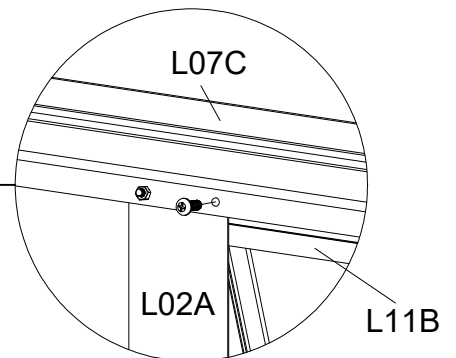
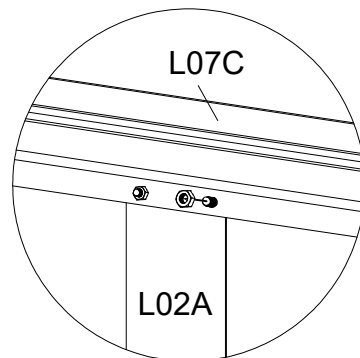
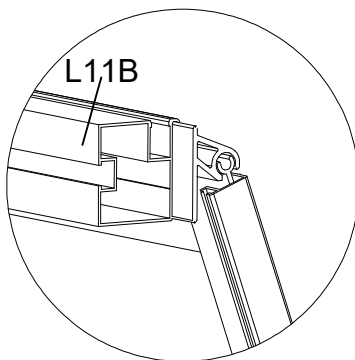
! Attention: Remove the protective films from both sides of each polycarbonate panel, before inserting into aluminum channels. Ensure the milky white film faces towards the Sun.

Wall Assembly

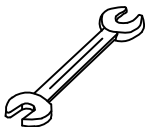
PART	NO	QTY
	L04A	2
	A03	2
	WINDOW	2
	S20 M5X10	12
	M08 M5	12
	S26 M5X12	4



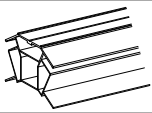



When installing L04A, the window needs to be lifted up to avoid the window not opening after the installation is complete

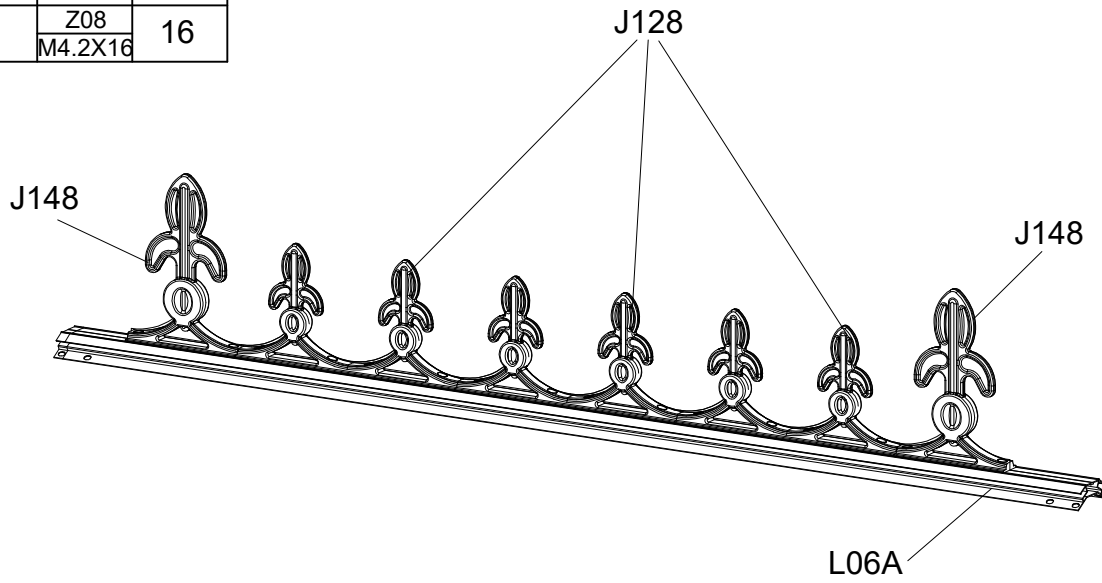


If the screws for the window installation position have already been installed first It needs to be removed first and replaced with S26

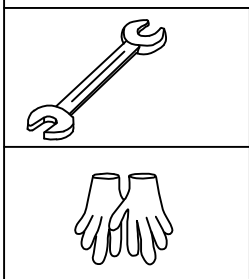
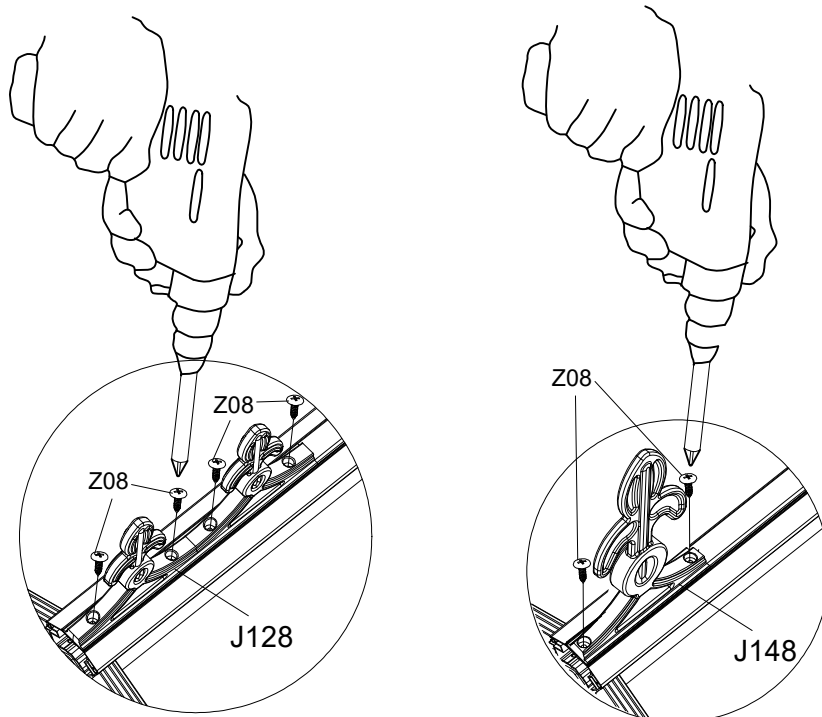


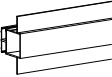


Top Assembly

PART	NO	QTY
	L06A	1
	J128	3
	J148	2
	Z08 M4.2X16	16

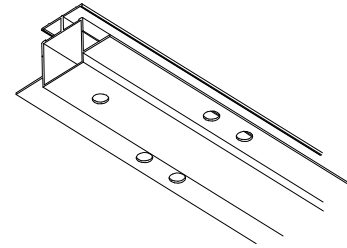
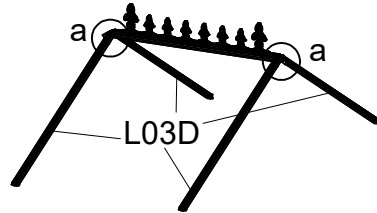


J148 is approximately 80mm from the ends of L06A

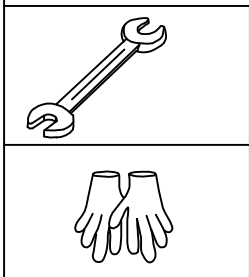
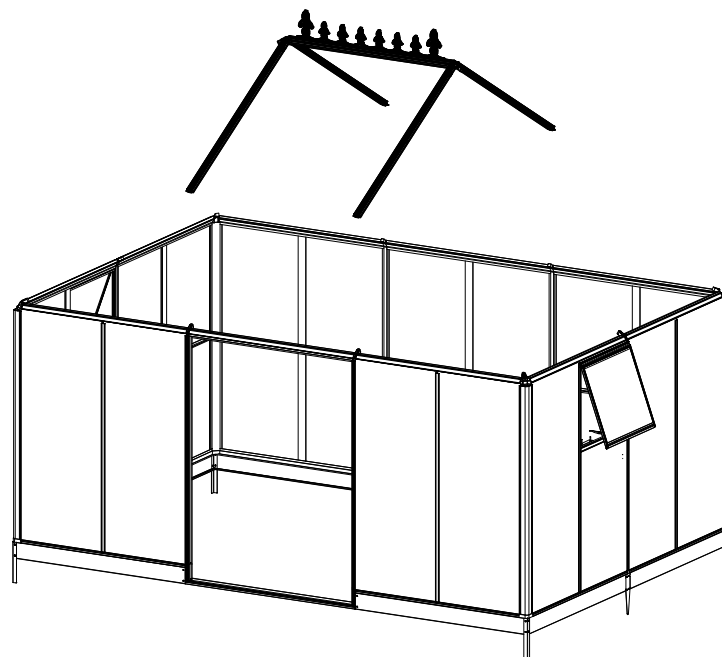
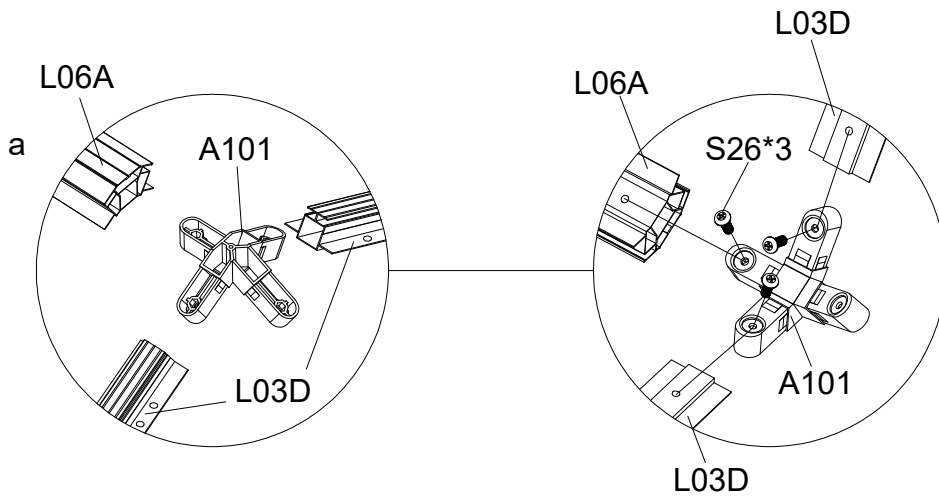


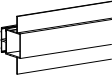

PART	NO	QTY
	L03D	4
	A101 J176	2
	S26 M5X12	6

Top Assembly

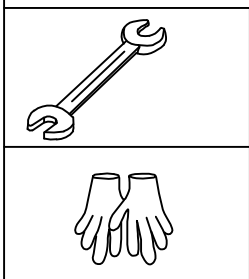
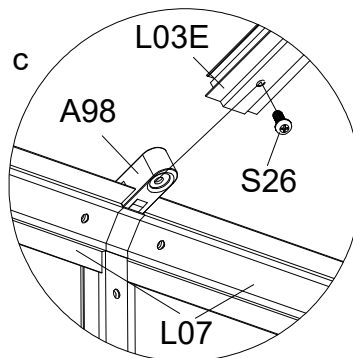
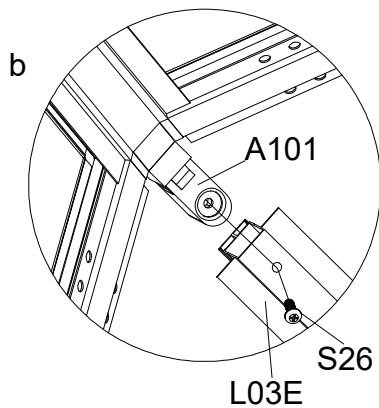
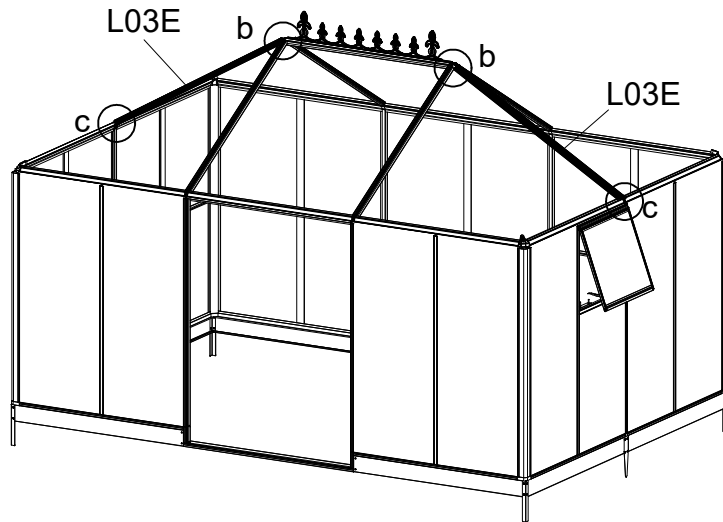
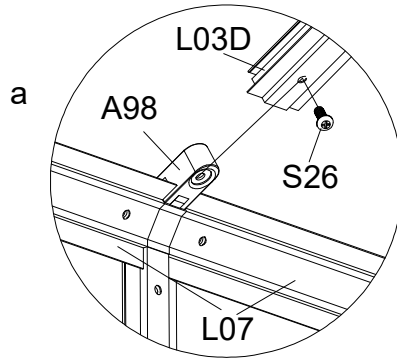
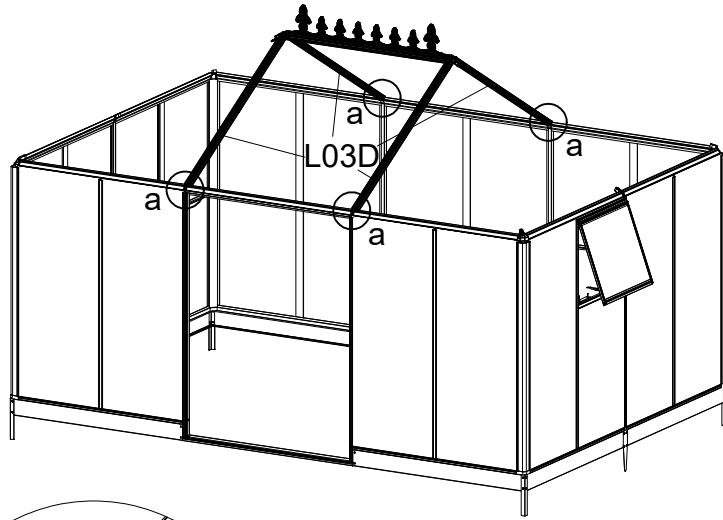


L03D The end of L03D with four holes facing upwards

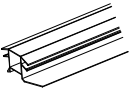
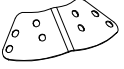
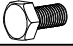




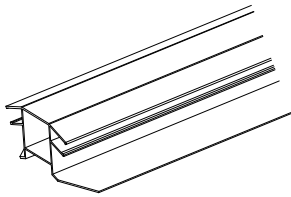
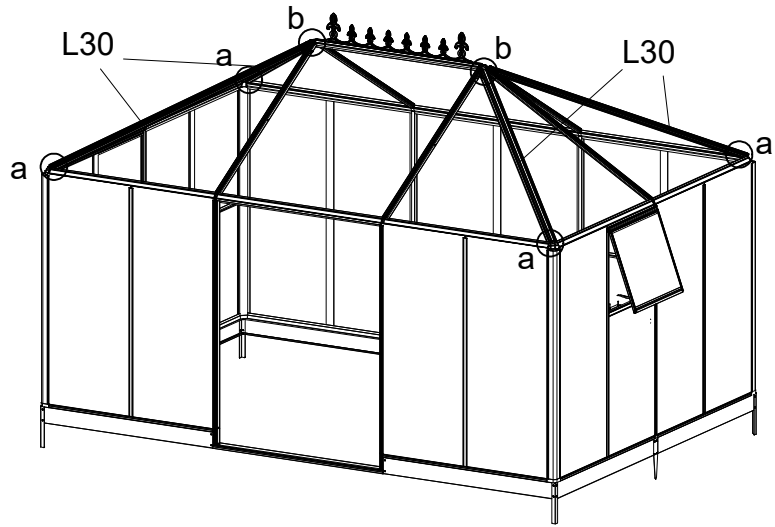
PART	NO	QTY
	L03E	2
	S26 M5X12	8

Top Assembly

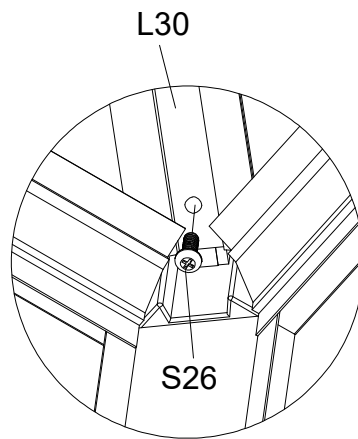
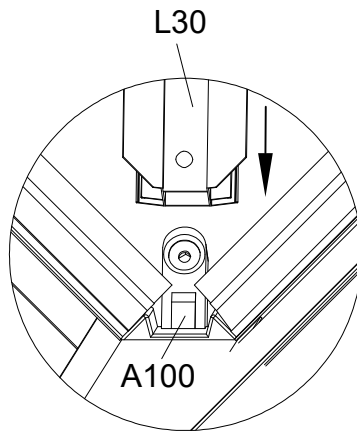


Top Assembly

PART	NO	QTY
	L30	4
	D328	4
	S20 M5X10	42
	M08 M5	42
	S26 M5X12	4

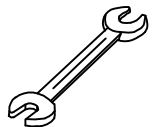
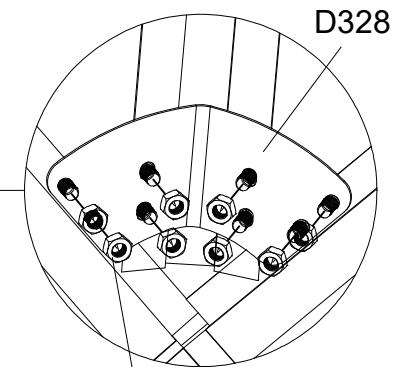
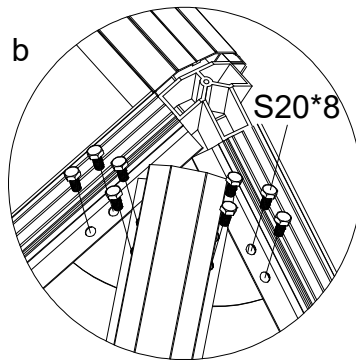


Connect the end of L30 with chamfered downwards to A100

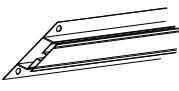
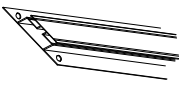
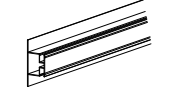




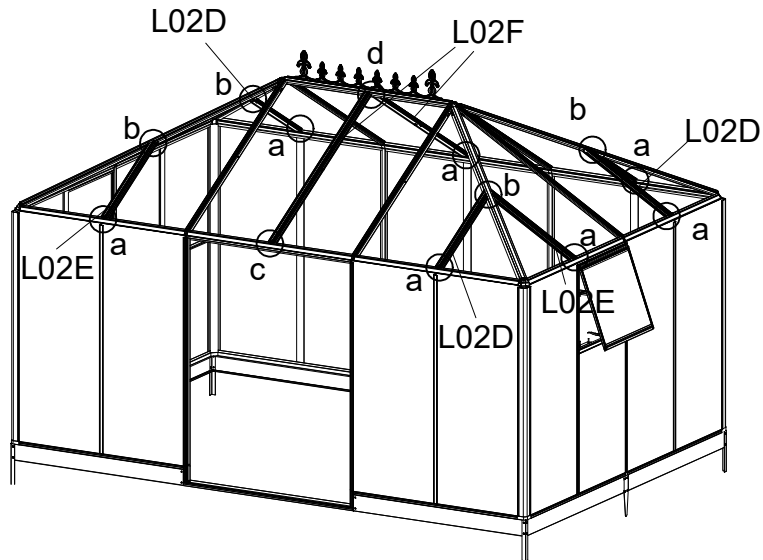
External view

Internal view

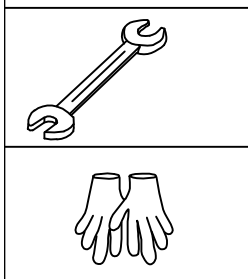
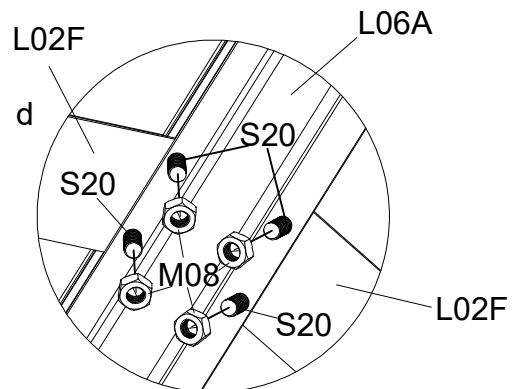
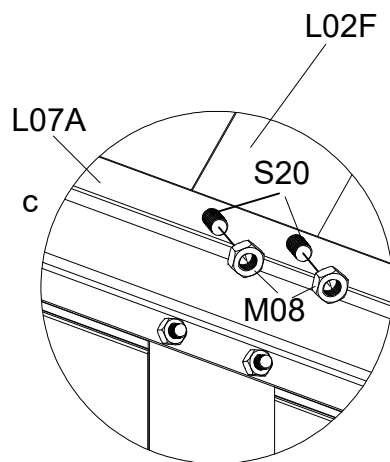
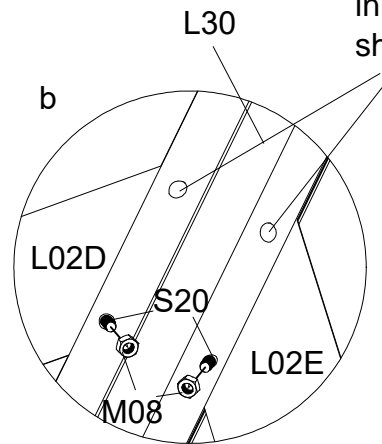
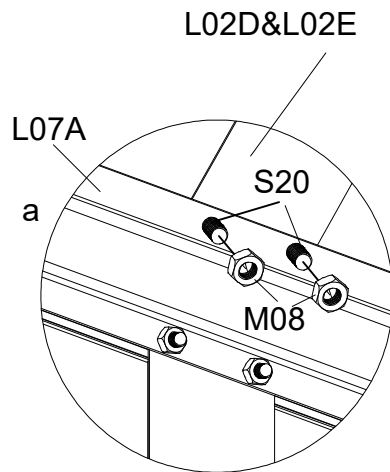


Top Assembly

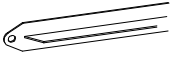



PART	NO	QTY
	L02D	4
	L02E	4
	L02F	2
	S20 M5X10	40
	M08 M5	40

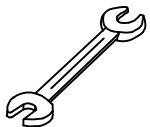
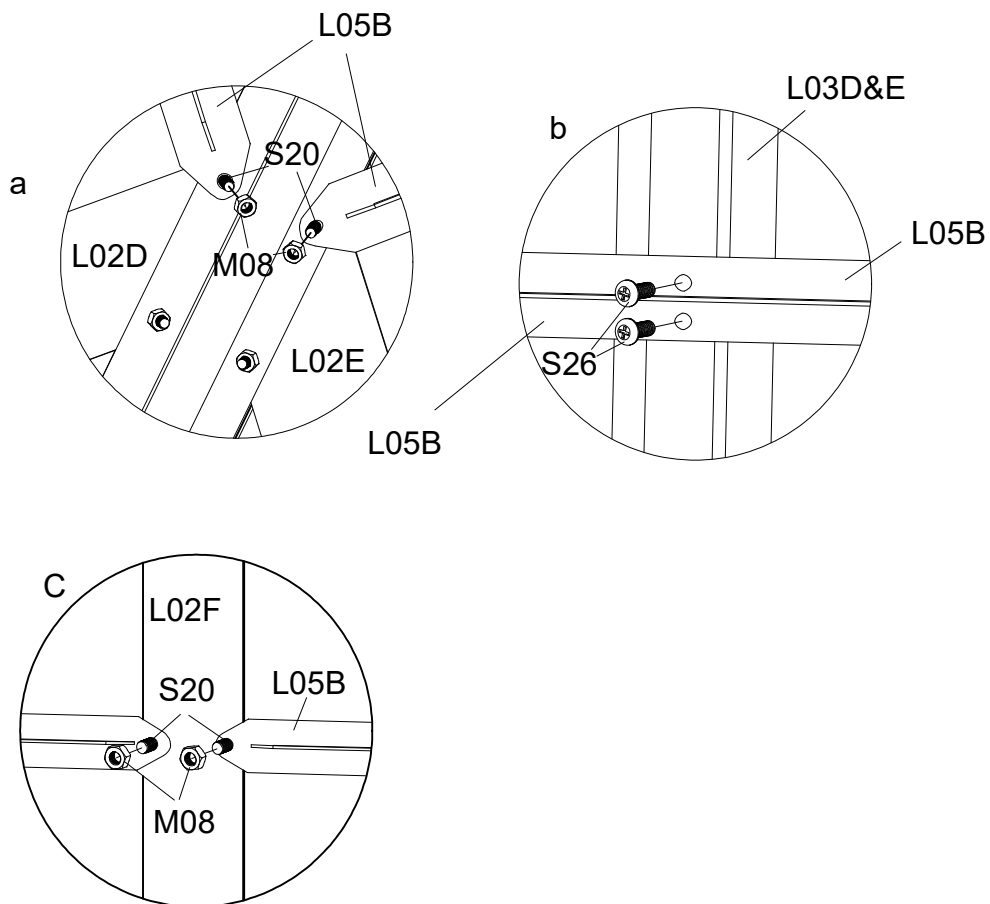
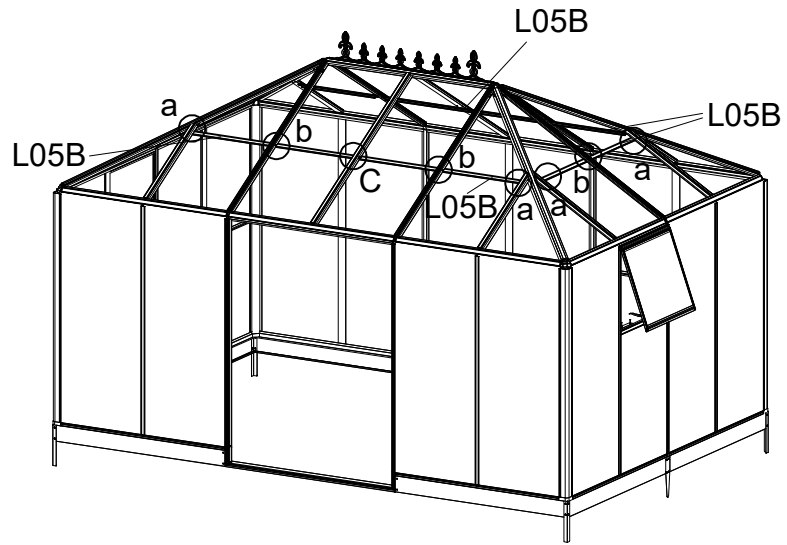


In order to install L05B effectively later, do not mount screws in the hole on the sharp angle of L02D



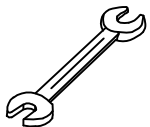
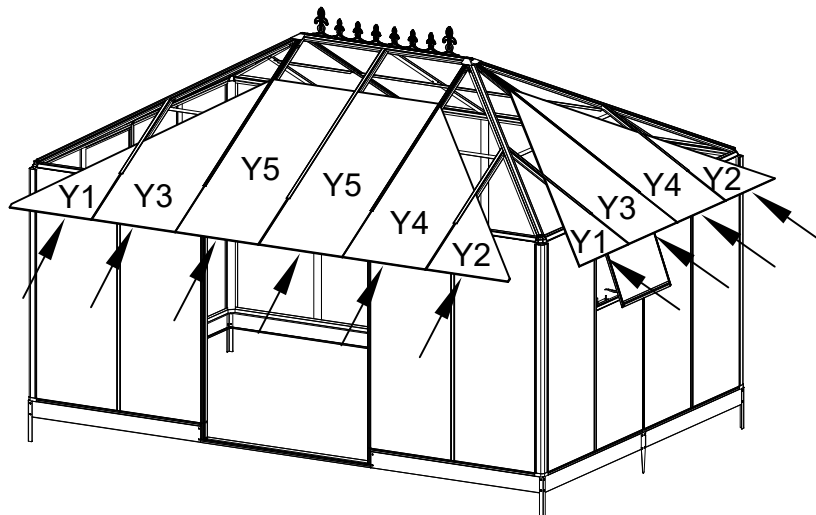
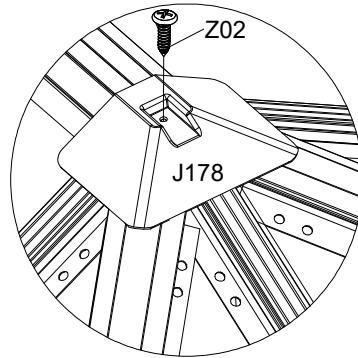
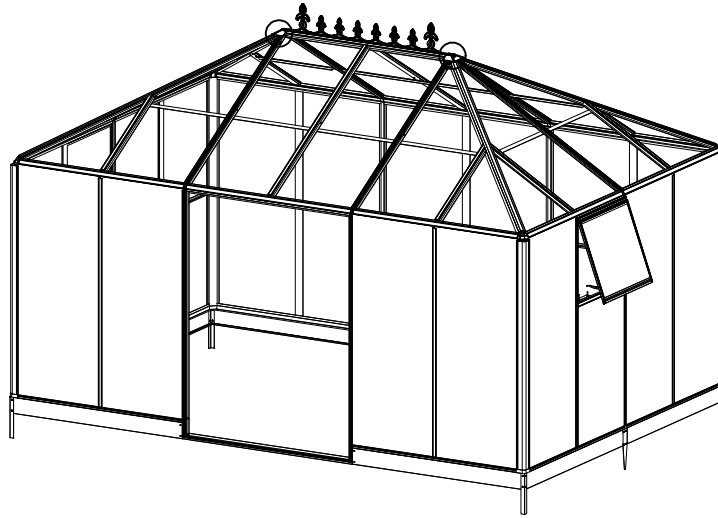
Top Assembly

PART	NO	QTY
	L05B	6
	S20 M5X10	12
	M08 M5	12
	S26 M5X12	12



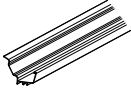
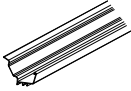
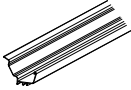
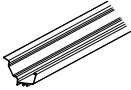
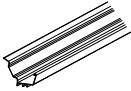

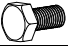


Top Assembly

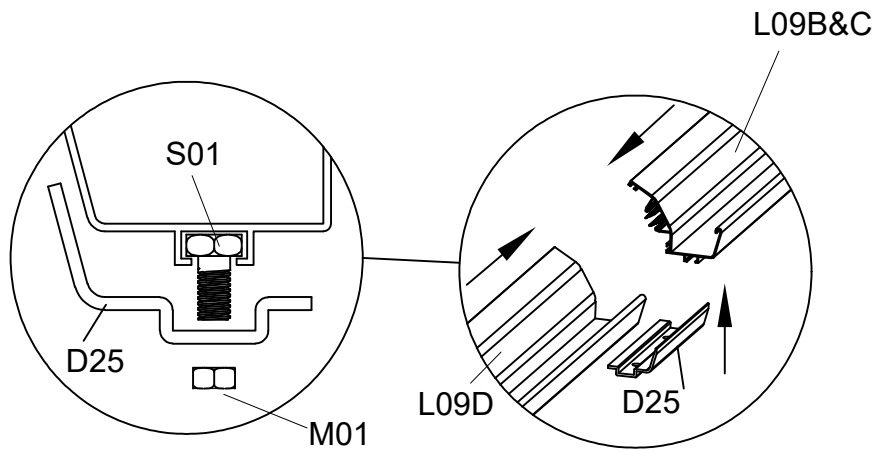
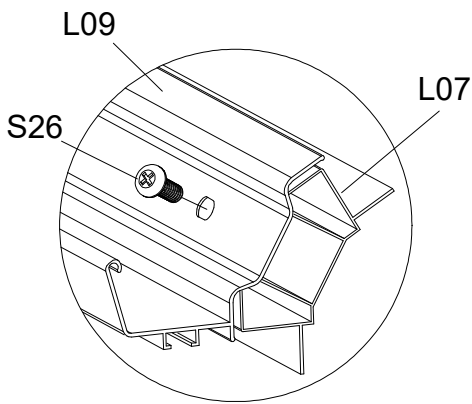
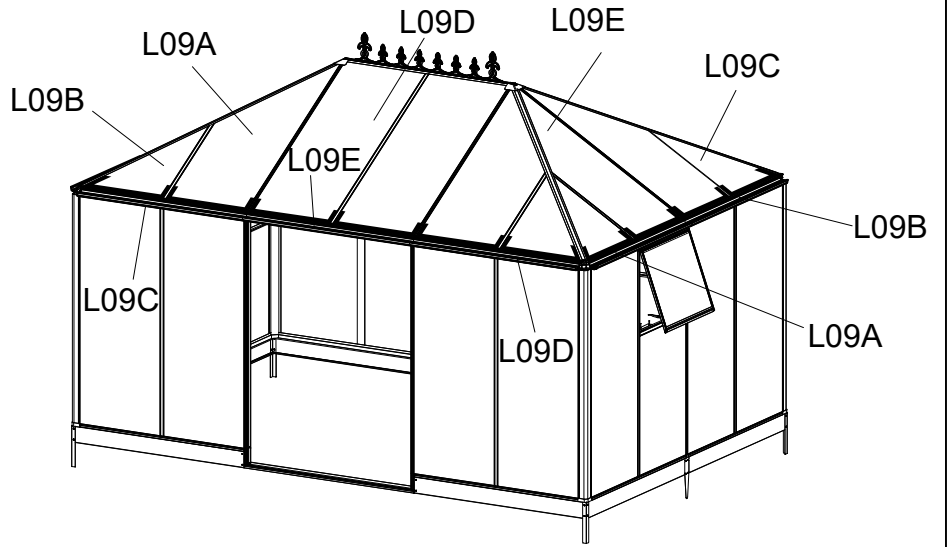
PART	NO	QTY
	Y1	4
	Y2	4
	Y3	4
	Y4	4
	Y5	4
	J178	2
	Z02	2
	Ø4X16D	



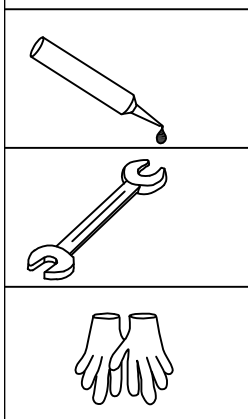
! Attention: Remove the protective films from both sides of each polycarbonate panel, before inserting into aluminum channels. Ensure the milky white film faces towards the Sun.

Top Assembly



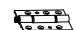


PART	NO	QTY
	L09A	2
	L09B	2
	L09C	2
	L09D	2
	L09E	2
	D25	6
	S01 M6X12	12
	M01 M6	12
	S26 M5X12	28

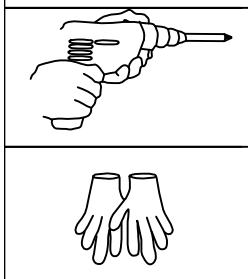
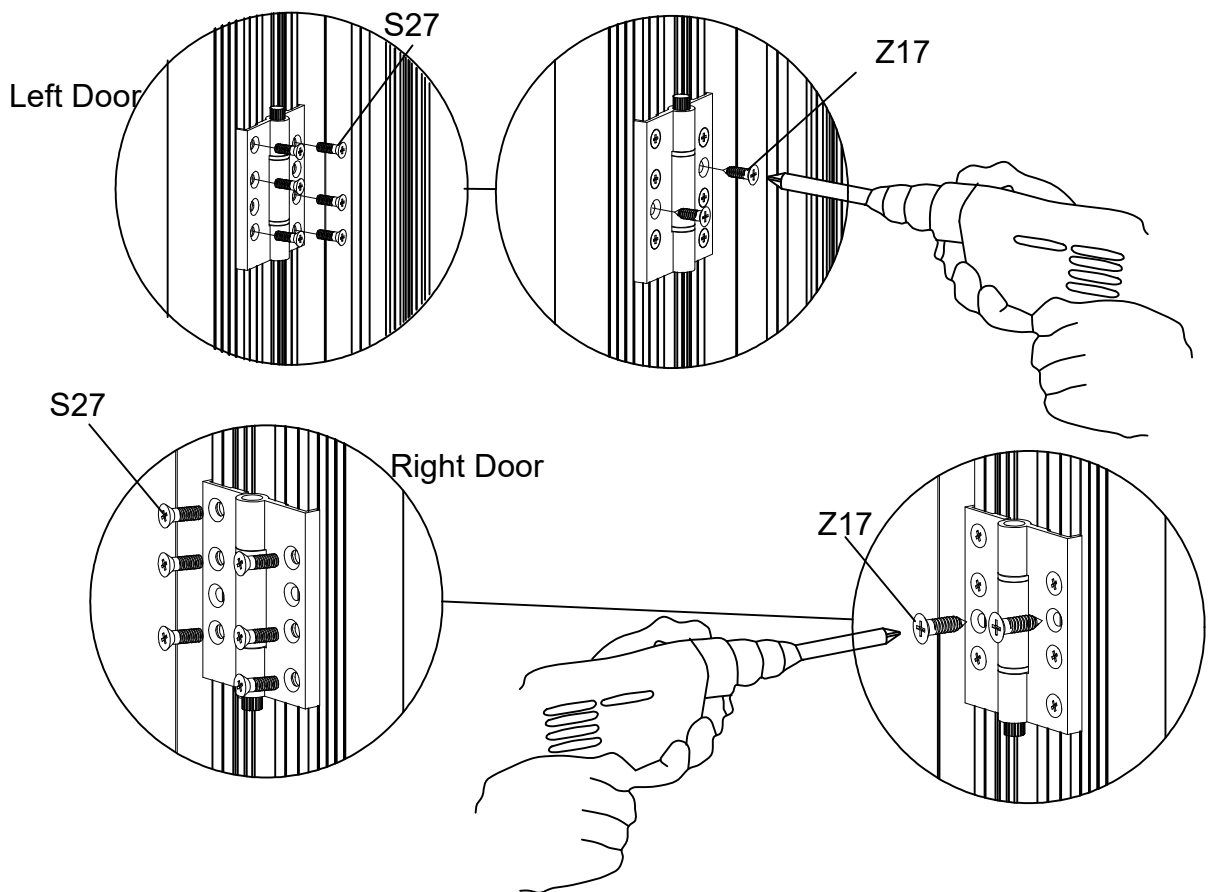
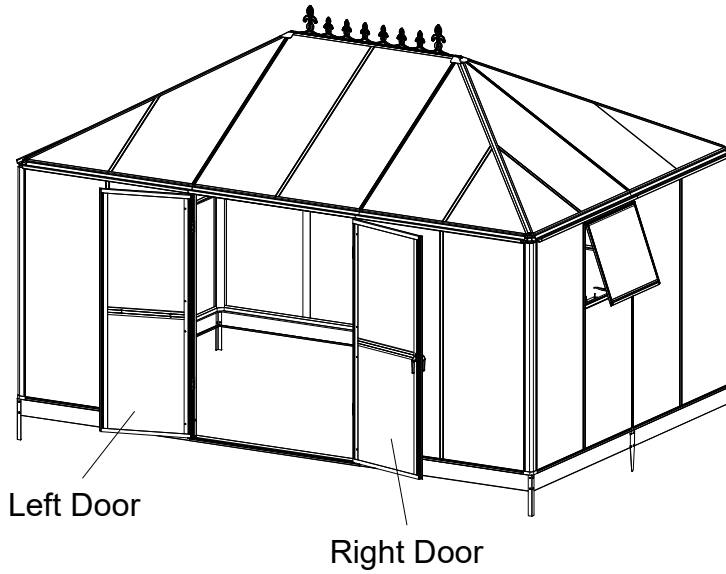


Slide S01 into the bolt channel of both L09B&C, fix D25 to L09B&C using S01 & M01.









Door Assembly

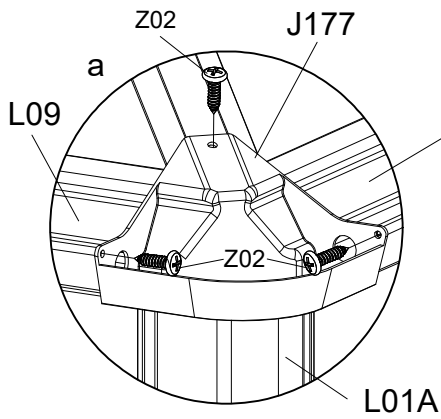
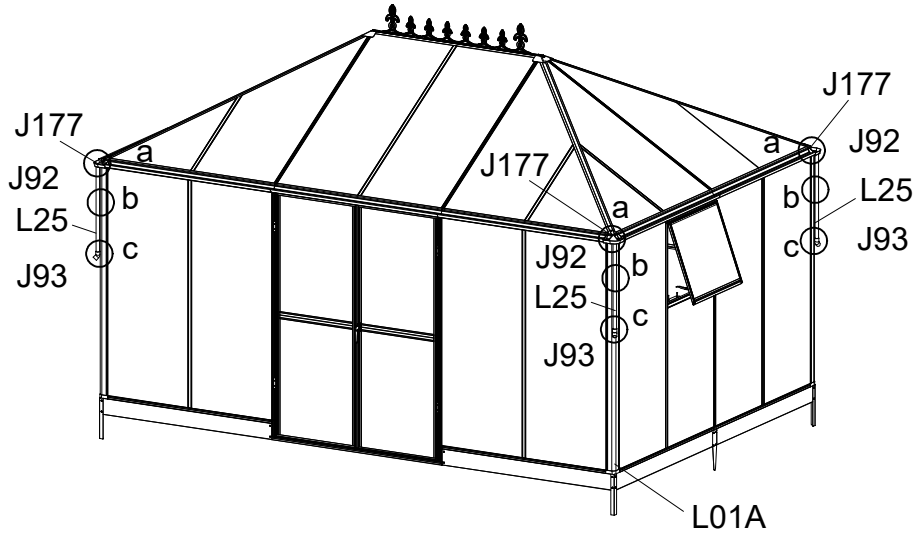
PART	NO	QTY
	D00R-L	1
	D00R-R	1
	A51	4
	Z17	8
	M4.8X16	
	S27	24
	M5X12	



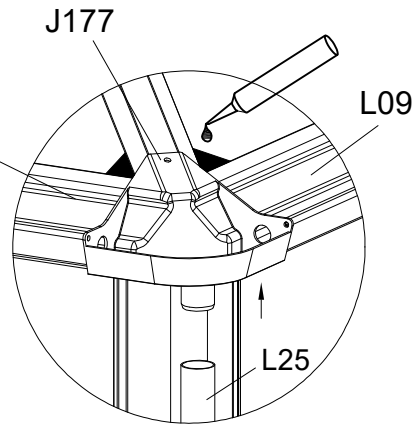
Fix A51(4 PCS) one side on the door profile and the other side to L26A/L26B using S27. Then secure with Z17.

PART	NO	QTY
	L25	4
	J92	4
	J93	4
	J177	4
	Z08 M4.2X16	4
	Z02 Ø4X16D	12

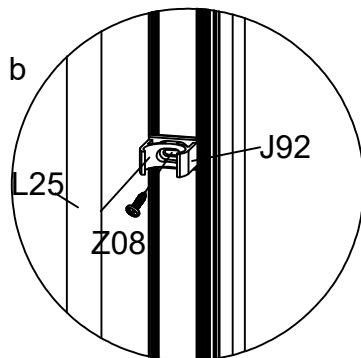
Accessories Assembly



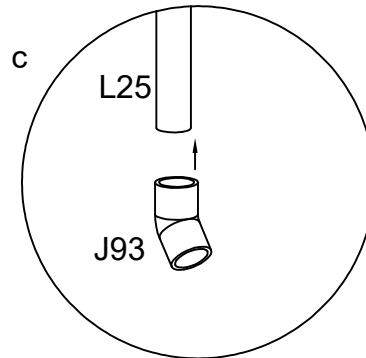
Put J177 on L01A and fix it on L09A&L09C with Z02.



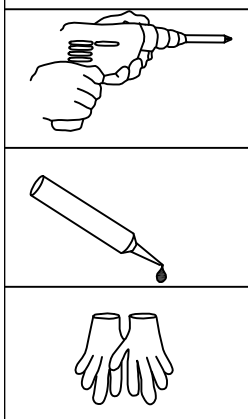
After fixing J177, use glass glue to fill the gap between the board and J177.




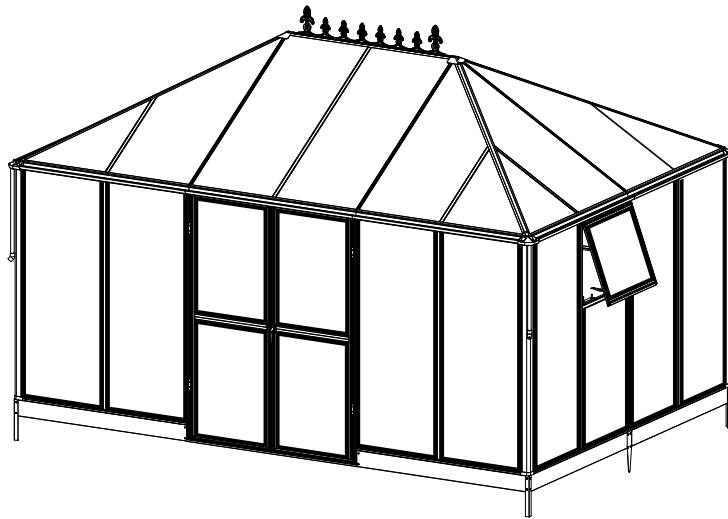
Drill a hole in L01A approximately 3mm diameter and 400mm down from the gutter. Fix the J92 downpipe bracket with Z08 screws and then clip the L25 downpipe into the J92 bracket.



If you wish to eliminate leaks, use glue when fixing the downpipe bends (not provided).



PART	NO	QTY
	J190	94M



During the installation of endurance boards, it is necessary to install block gine J190

