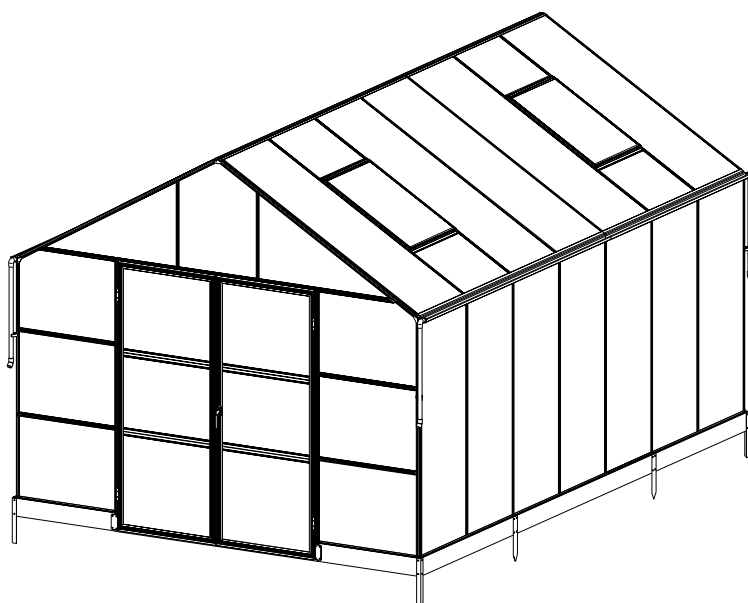


Assembly Instructions

MODEL:AM957

PRODUCT SIZE(LxWxH): 10X14

PLEASE READ CAREFULLY BEFORE ASSEMBLY



Greenhouse 10x14 FT Assembly Instruction

SKU:

YPG010-1B2A1(BOX 1)

YPG010-1B2A2(BOX 2)

Arrive in 2 separate boxes and may not be part of the same shipment; Please install the product after receiving all the packages.

Email Address:support@wepatio.com

Tel: 901-347-2181

Service Time: 8 am - 5 pm (central time) Monday- Friday.

If no one picks up, please call several more times

2024/10/14

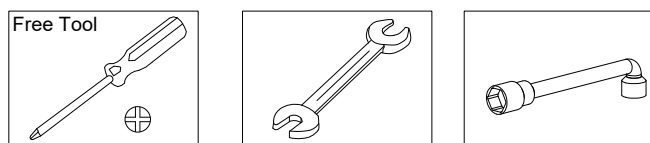
CONTENTS

1. Assembly Advice	Page 1
2. Product Features	Page 2
3. Parts List	Page 3 -5
4. Door Assembly	Page 6 - 11
5. Roof Vent Assembly	Page 12 - 14
6. Base Assembly	Page 15-17
7. Framework & Glazing Assembly	Page 18 - 39

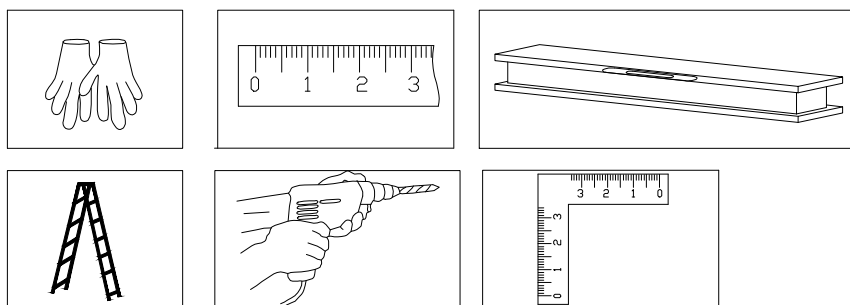
Assembly and Maintenance Advice

1. For safety purposes, we strongly recommend that this product is assembled by at least two people.
2. Some components have sharp metal edges. Please be careful when handling metal components. Please wear gloves, shoes and safety goggles during assembly.
3. Lay all of the components on a soft carpet or blanket to avoid any scratches or damages.
4. DO NOT climb or stand on the roof. Heavy articles should not be leaned against the greenhouse.
5. Keep the roof and gutter clear of snow, dirt & leaves. Allowing snow to build up on the roof may damage the product.
6. Unlike steel, if the paint finish is scratched this will not harm the aluminium underneath.
7. When your product needs cleaning, use a mild detergent solution and rinse with cold clean water. Do not use acetone, abrasive cleaners or strong detergents to clean the panels.

Tools Provided:



Tools Required when Assembly (Not Provided)



Assembly at least by two Persons

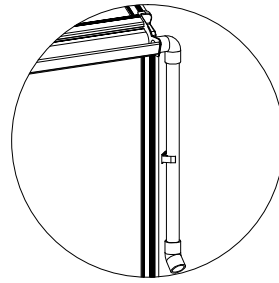


Important:

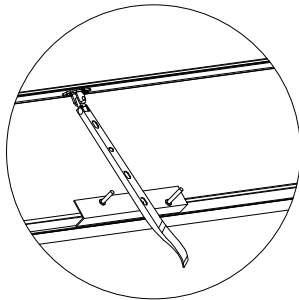
Rubber is not provided if you choose polycarbonate sheet as glazing panel.

Functions and Features:

1. The strong two part eaves beam includes an integral gutter. Downpipes are also included as standard so you can collect rainwater.

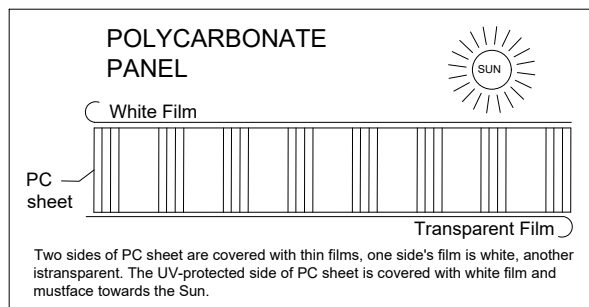


2. Manual window handles are included as standard with the roof vents.

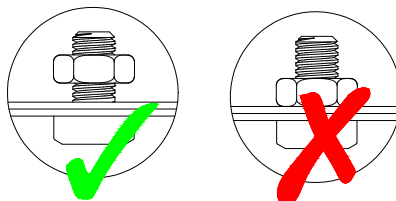



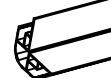

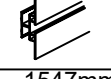
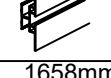
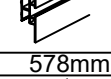
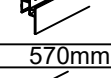

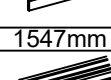
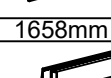
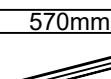
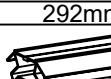






Manual Opener




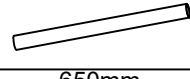



3. Remove approximately 2 inches of film from all sheet edges before installing and remove all film immediately after the construction is completed. Please ensure that the side with the white film faces outwards.




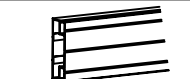
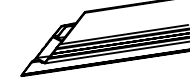

4. This quality greenhouse features self-tapping screws to provide strong joints. As the name suggests, the screws tap their own thread. Driving in self-tapping screws requires more force than conventional screws. A powered screwdriver is therefore recommended.
5. Nuts not to be tightened before the end of assembly! Unless otherwise stated, do not tighten the bolts/nuts/screws until the shed is finally erected!




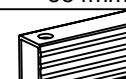
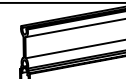
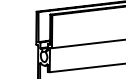
	PART	NO	QTY
1		L01A	1
	1547mm	L01B	1
2		L01E	1
	1547mm	L01F	1
3		L01C	2
	1658mm	L01D	2
4		L02A	8
	1547mm		
5		L02B	8
	1658mm		
6		L02C	2
	578mm	L02D	2
7		L02E	5
	570mm		
8		L02F	4
	717mm		
9		L03A	4
	1547mm		
10		L03B	4
	1658mm		
11		L04A	4
	570mm		
12		L05B	4
	292mm		
13		L06C	1
	1772mm		
13		L07C	2
	1772mm		
14		L08C	2
	1772mm		
15		L08E	1
	726mm	L08F	1
16		L09C	2
	1773mm		
17		L10A	2
	590mm		



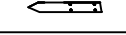
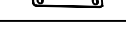
	PART	NO	QTY
18		L10B	1
	B:1774 C:1499	L10C	1
20		L23C	4
	1753mm	L23D	1
21		L23E	6
	600mm		
22		L25	4
	650mm		
23		L26A	1
	1776mm	L26B	1
24		L26C	4
	1656mm		
25		L26D	1
		L26E	1
		L26F	1
	1334mm	L26G	1

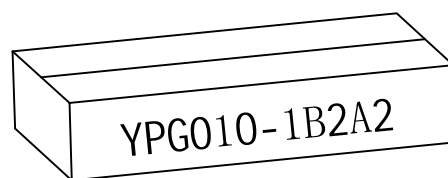
door

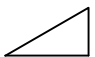
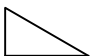

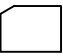

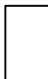
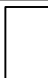
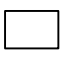
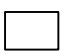

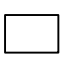
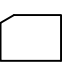
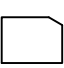

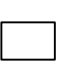
	PART	NO	QTY
23		L16A	2
	1760mm		
24		L17	4
	642mm		
25		L18A	2
	723mm	L18B	2
26		L18C	1
		L18D	1
27	1792mm		










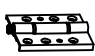





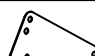








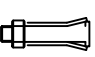
windowsX4

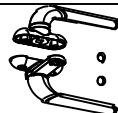


	PART	NO.	QTY.
28		L11A	4
	584mm		
29		L19	8
	748mm		
		L20	4
	584mm		
		L21	4
	584mm		







PART	NO	QTY
	A2	2
	B2	4
	C3	2
	D2	2
A2:755 B2:1210 C3:1773 D2:1506		
	D306	4
	D307	5
	D317	2

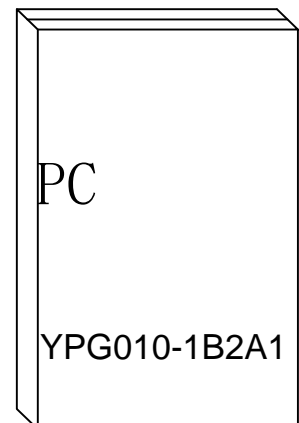


PART	NO	QTY
	Y1	2
582X1013mm		
	Y2	2
582X1013mm		
	Y3	2
754X588mm		
	Y4	1
556X735mm		
	Y5	1
556X735mm		
	Y6	14
1568X588mm		
	Y7	10
1682X588mm		
	Y8	4
556X735mm		
	Y9	8
448X588mm		
	Y10	4
726X582mm		
	Y11	6
550X662mm		
	Y14	1
556X588mm		
	Y15	1
556X588mm		
	Y17	5
1115X588mm		
	Y18	3
556X588mm		

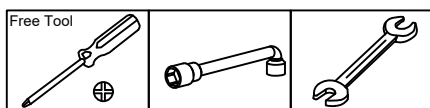
PART	NO	QTY
	J55	2
	J56R	2
	J56L	2
	J94	4
	J93	4
	J165	4
	J166	4
	A01	4
	A03	4
	A51	4
	D17	8
	D25	4
	D26	2
	D45	8
	D38	4
	D309	4
	A114	2
	S01 M6X12	370+5
	M01 M6	370+5
	Z02 Ø4X16D	32
	Z04 Ø4X8	8
	Z08 M4.2X16	92
	Z17 M4.8X16	8
	D114	20
	S69 M6X60	20

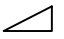






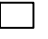







PART	NO	QTY
	H152	1
	S76 M4X32	2
	D47	1

	PART	NO.	QTY.
1	 1181mm	L06B	2
2	 1181mm	L07B	4
3	 1181mm	L08B	4
4	 1182mm	L09B	4
5	 888mm	L23A	4
6	 1162mm	L23B	8



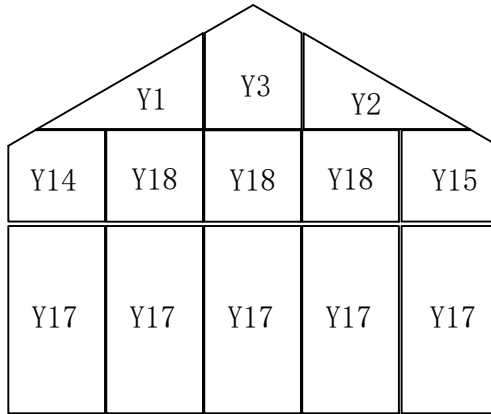
Tools Provided:



PART	NO	QTY
	Y1	2
	Y2	2
	Y3	2
	Y4	1
	Y5	1
	Y6	14
	Y7	10
	Y8	4
	Y9	8
	Y10	4
	Y11	6
	Y14	1
	Y15	1
	Y17	5
	Y18	3

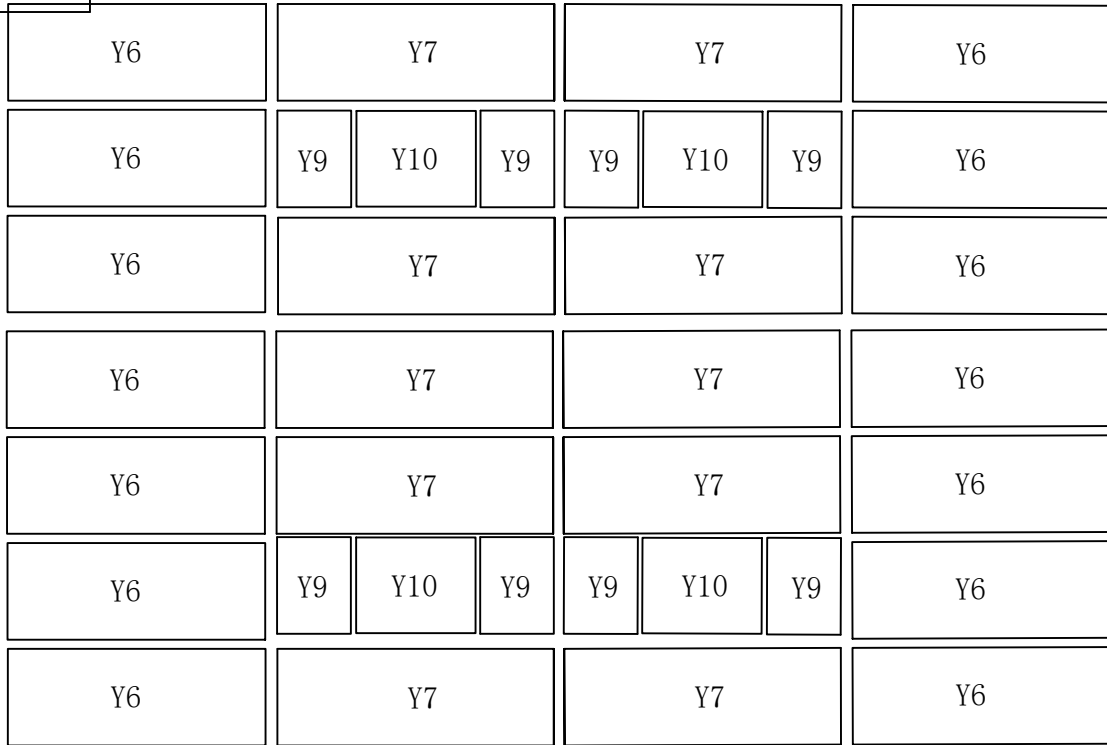
Panel Exploded View

Back Wall

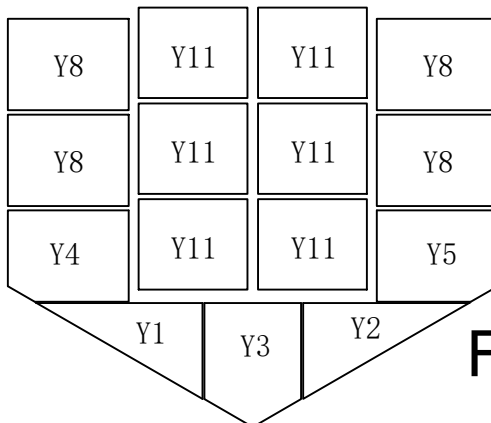




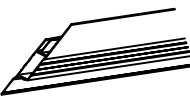

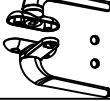





Side Wall

Side Wall



Front Wall

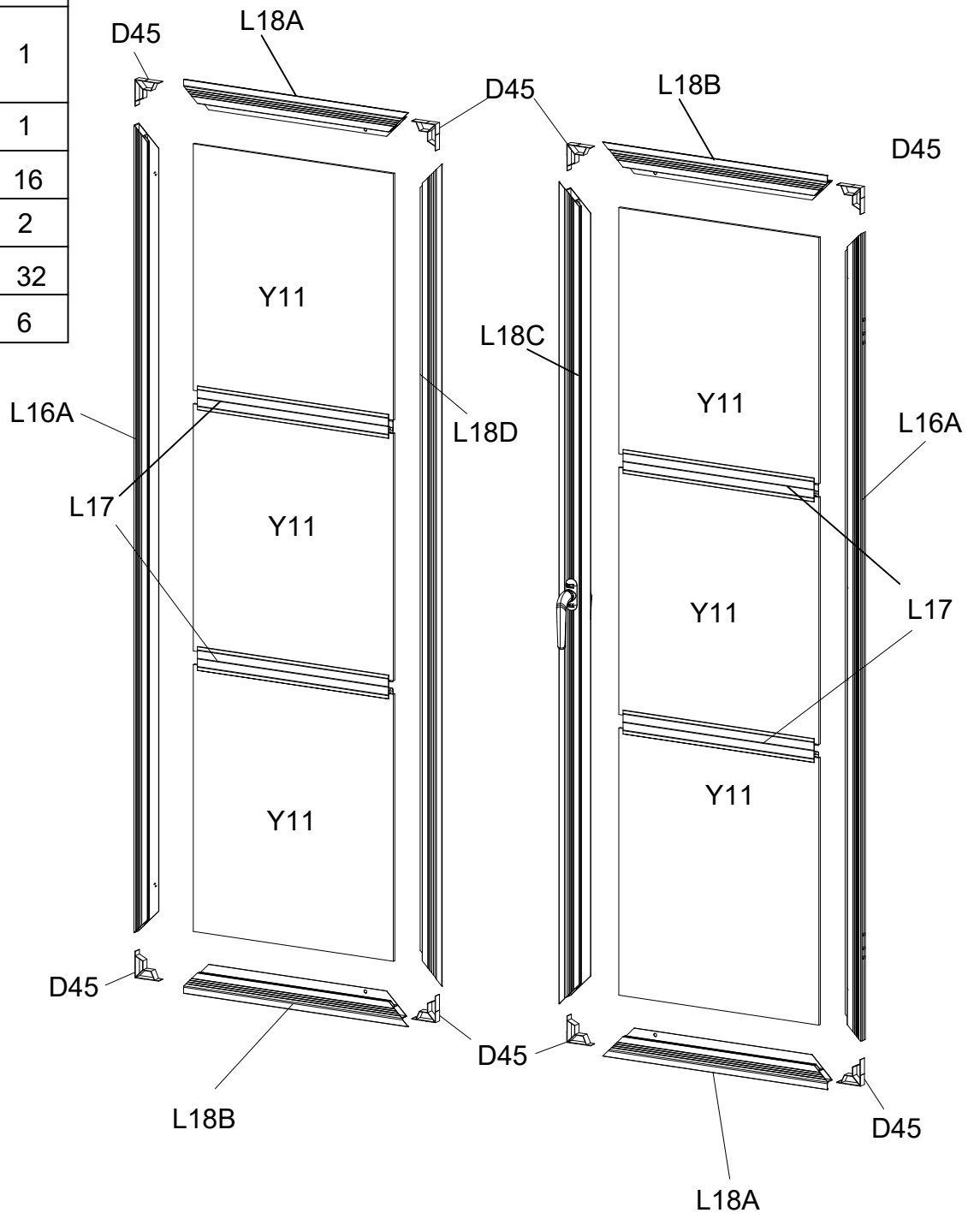




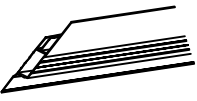




PART	NO	QTY
	L16A	2
	L17	4
	L18A	2
	L18B	2
	L18C	1
	L18D	1
	D45	8
	H152	1
	D47	1
	S26	16
	M5X12	
	S76	2
	M4X32	
	Z08	32
	M4.2X16	
	Y11	6

Exploded View

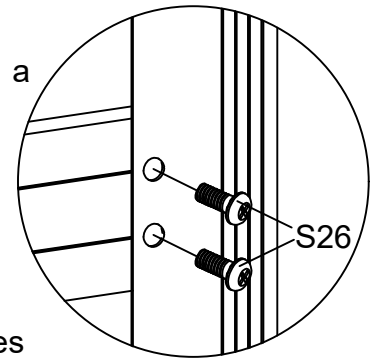
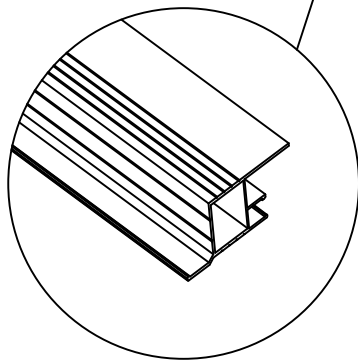
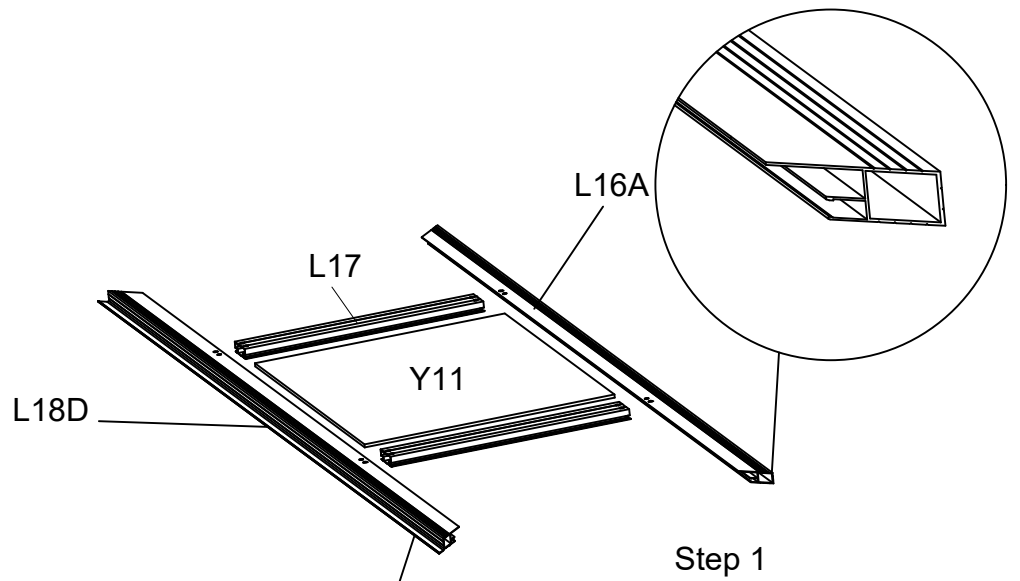
Left Door

Right Door

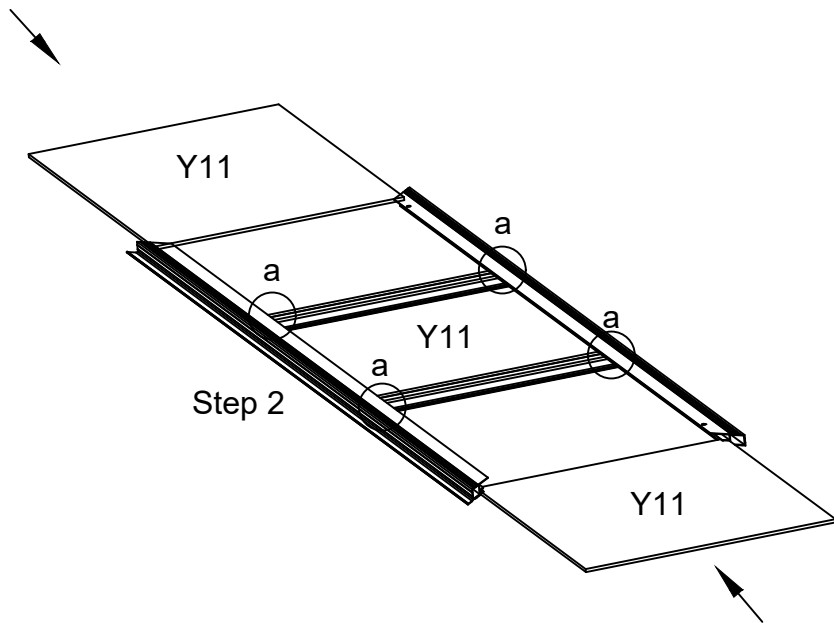


PART	NO	QTY
	L16A	1
	L17	2
	L18A	1
	L18B	1
	L18D	1
	D45	4
	S26	8
	M5X12	
	Z08	16
	M4.2X16	
	Y11	3

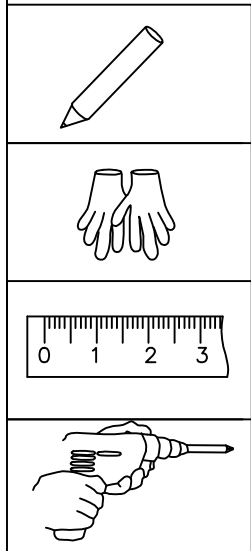
Left Door

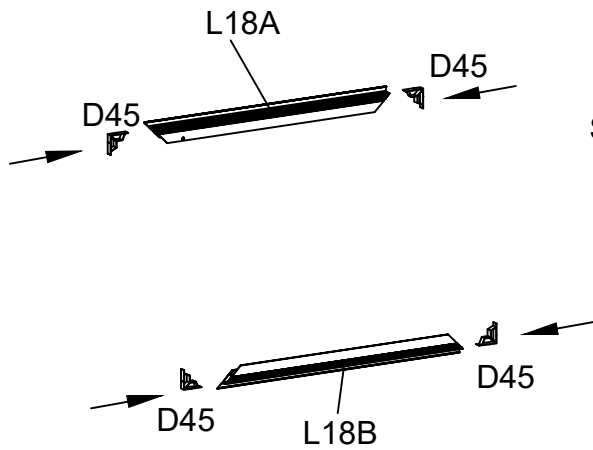


! Attention: Check the direction of the accessories

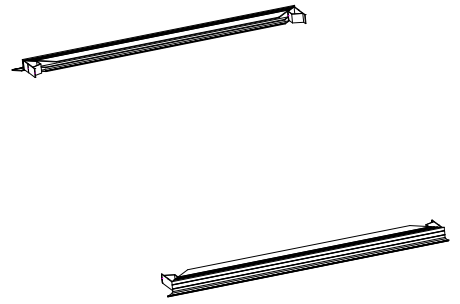


! Attention: Remove the protective films from both sides of each polycarbonate panel, before inserting into aluminum channels. Ensure the milky white film faces towards the Sun.

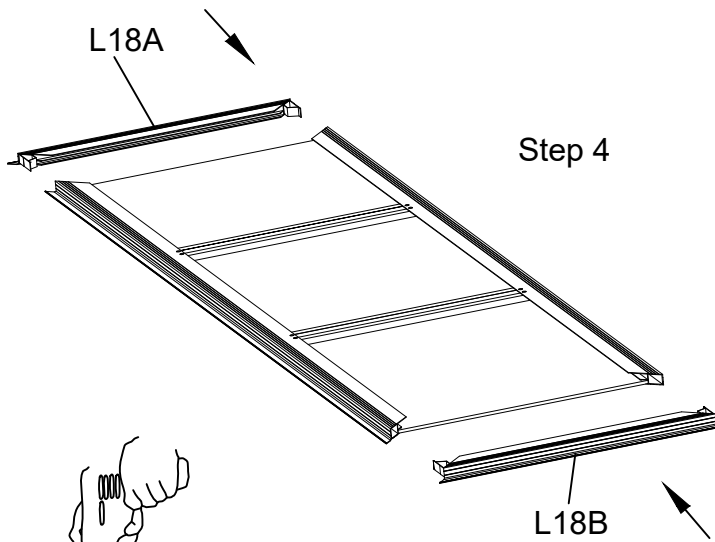
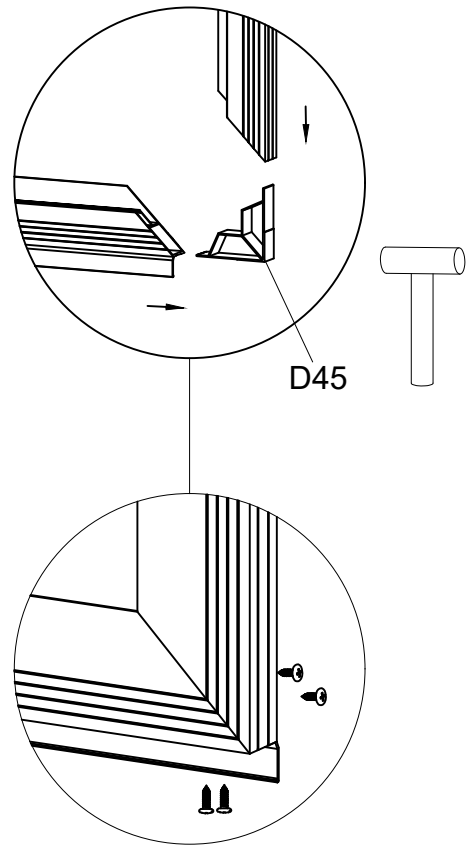




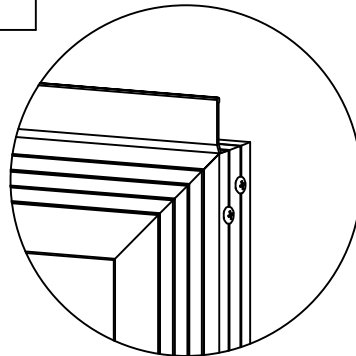
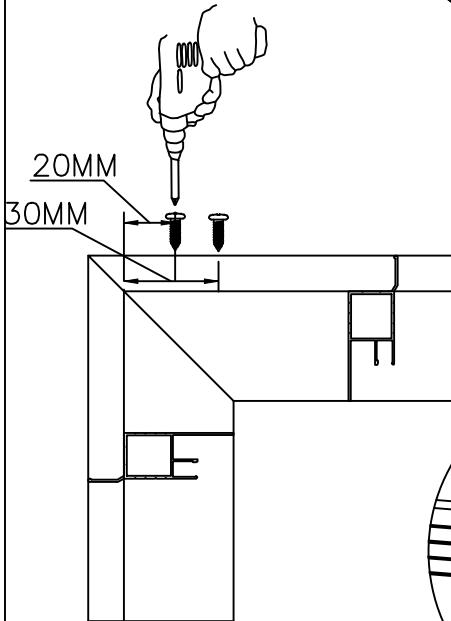
Step 3





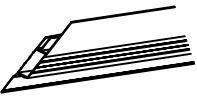
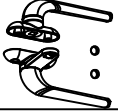





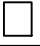
Attention! When installing the D45, you need to use a rubber mallet to lightly tap the snap into.



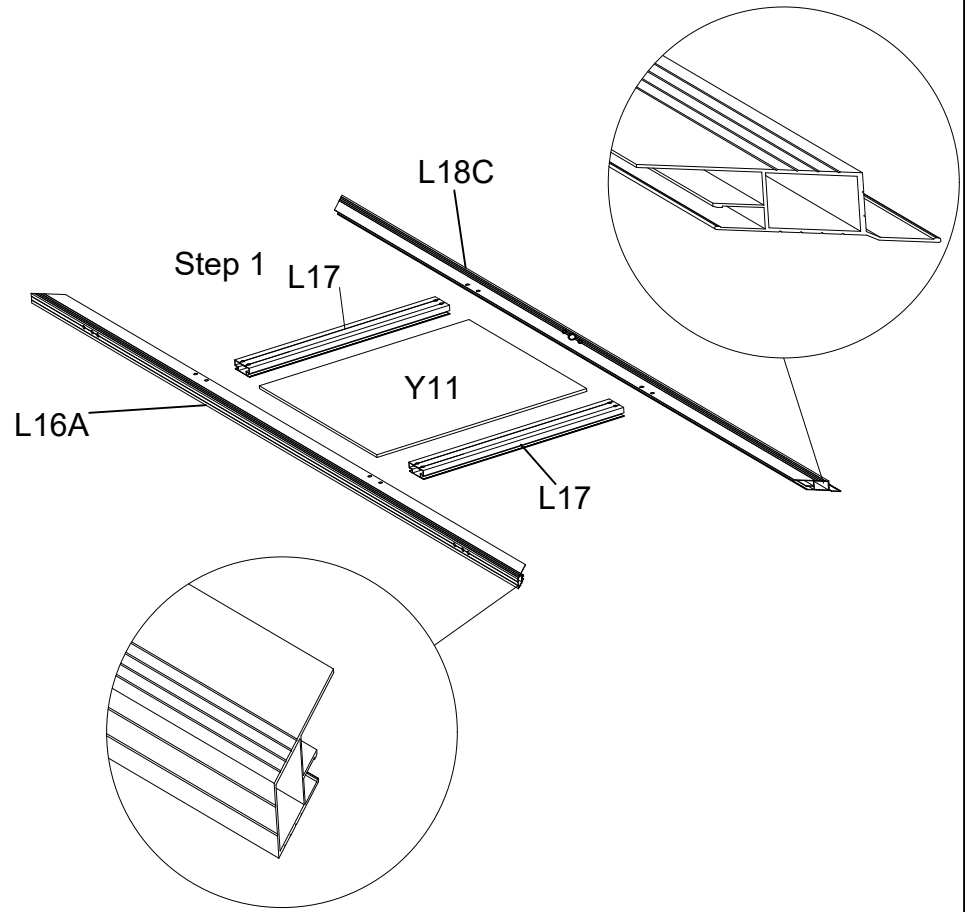
Step 4



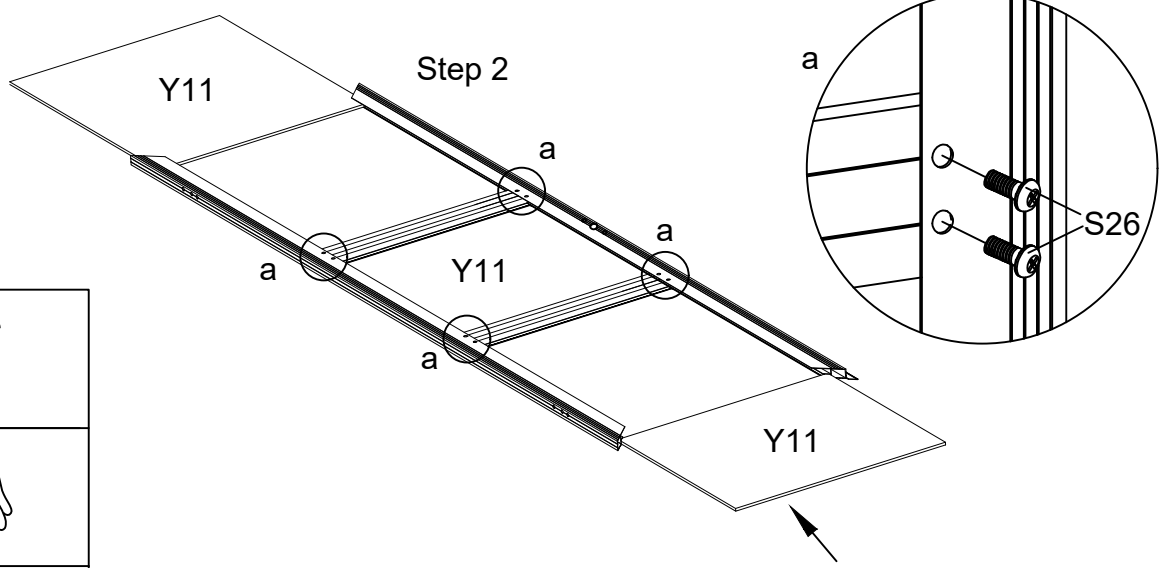
Insert Connector D45 into each end of frame profiles L16B & L18A & L18B & L18D, and then fix them with screws Z08. fixing with screws, and make sure there is no gaps between each profile.

PART	NO	QTY
	L16A	1
	L17	2
	L18A	1
	L18B	1
	L18C	1
	H152	1
	D45	4
	D47	1
	S26	8
	M5X12	
	S76	2
	M4X32	
	Z08	16
	M4.2X16	
	Y11	3

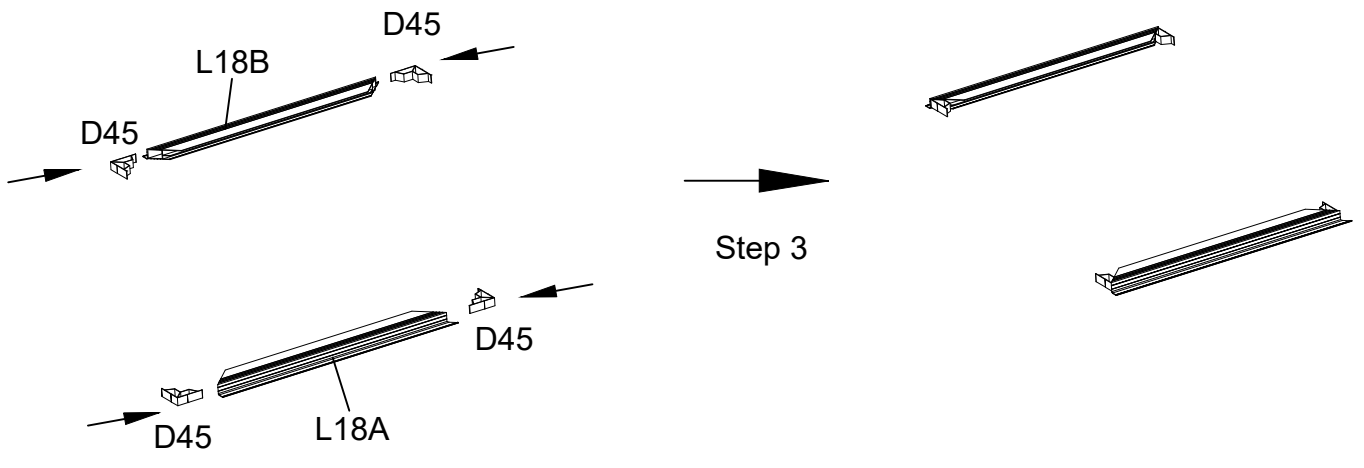
Right Door



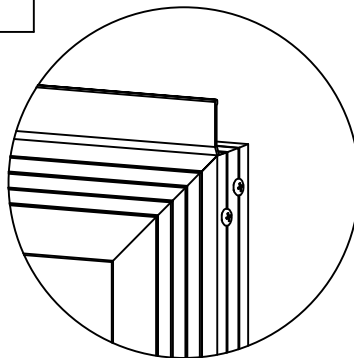
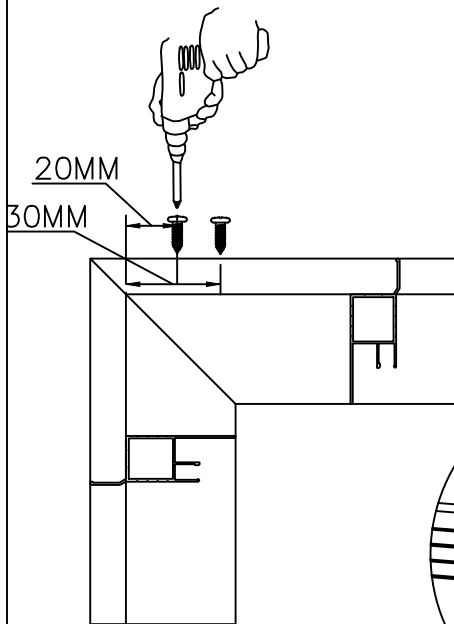
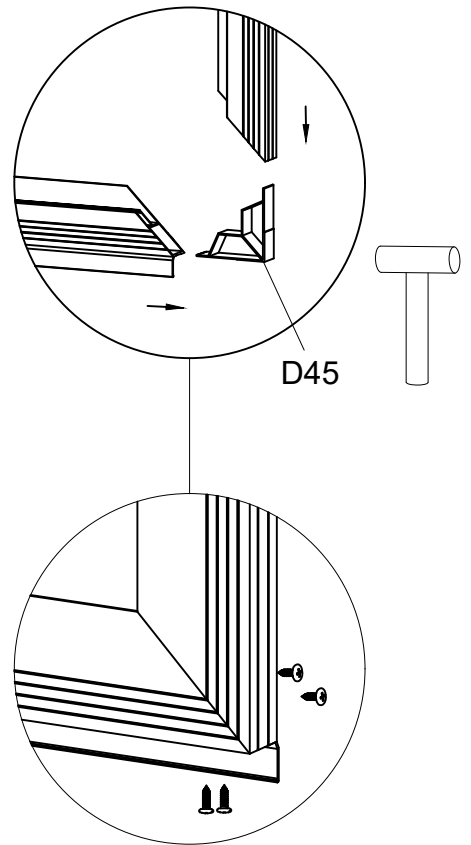
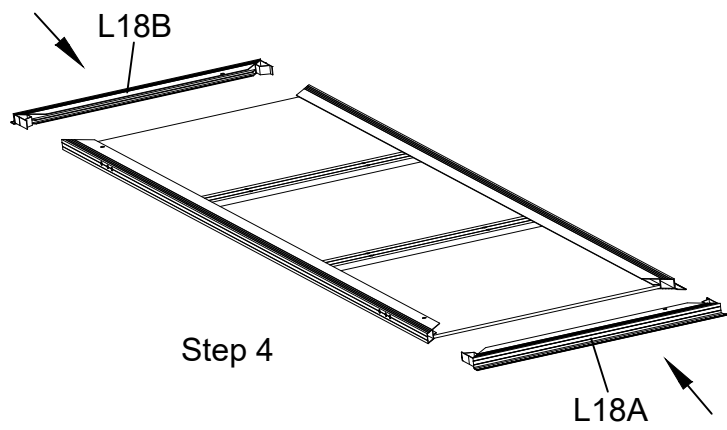
! Attention: Check the direction of the accessories



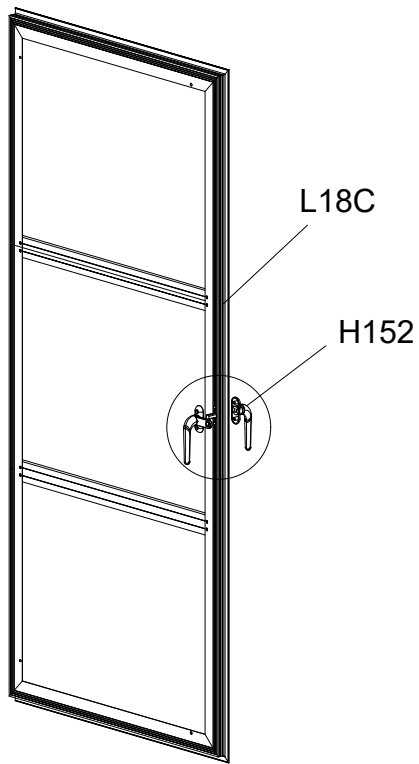
! Attention: Remove the protective films from both sides of each polycarbonate panel, before inserting into aluminum channels. Ensure the milky white film faces towards the Sun.



Attention! When installing the D45, you need to use a rubber mallet to lightly tap the snap into.

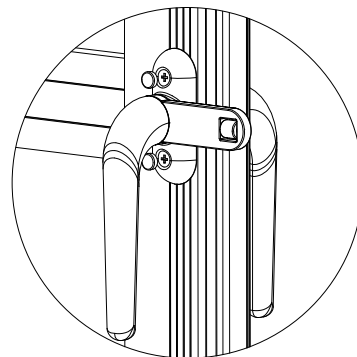
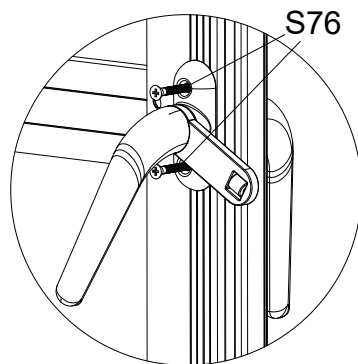
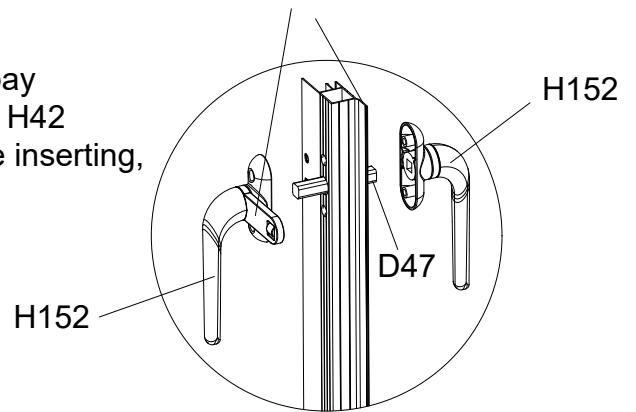


Insert Connector D45 into each end of frame profiles L16B & L18A & L18B & L18D, and then fix them with screws Z08. fixing with screws, and make sure there is no gaps between each profile.

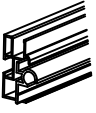
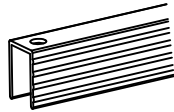
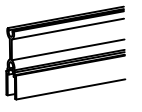
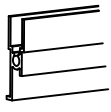







Pay attention to the installation direction

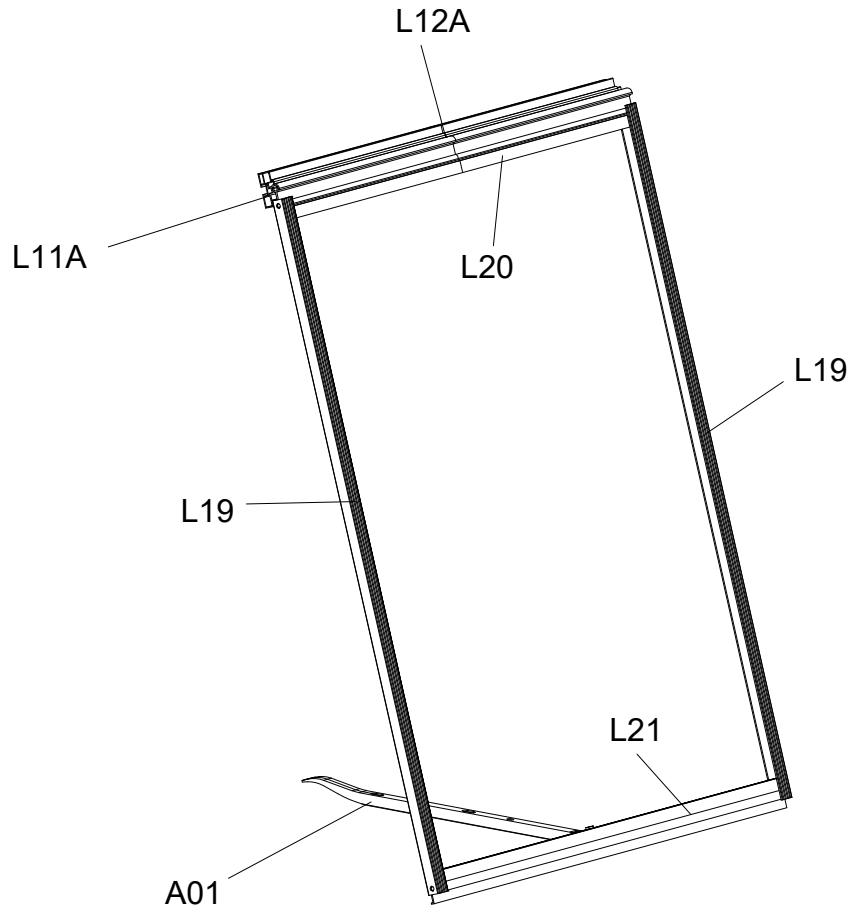
Install H152 after installing the door, when installing, pay attention to the H152 long end toward the door edge, H42 square hole aligned with the square column D47 while inserting, placed in the right position and then fixed with S76, and finally installed on the decorative cover

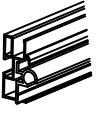
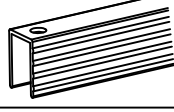

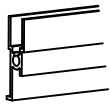






Exploded View

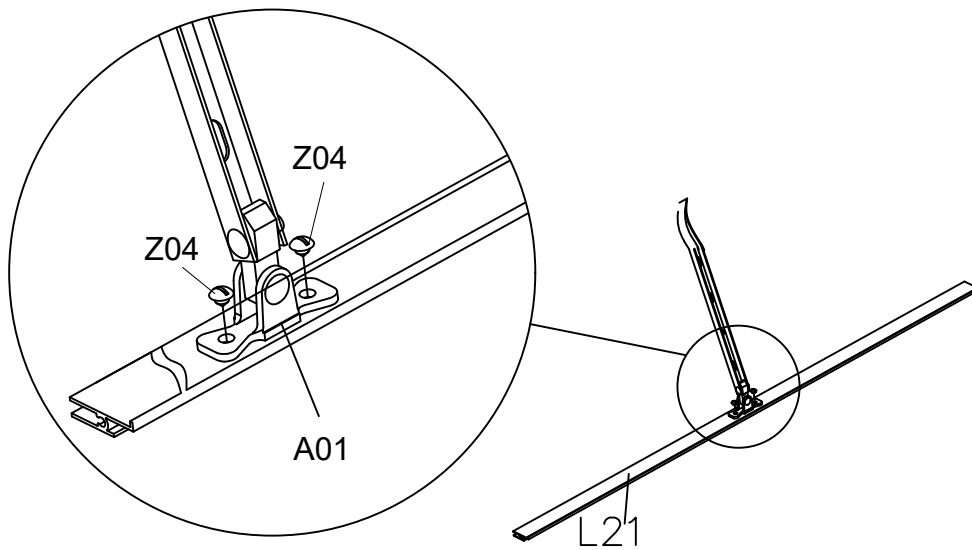
PART	NO.	QTY.
	L11A	4
	L19	8
	L20	4
	L21	4
	Y10	4
	A01	4
	Z02 Ø4X16D	24
	Z04 Ø4X8	8
	Z08 M4.2X16	8

Window X 4

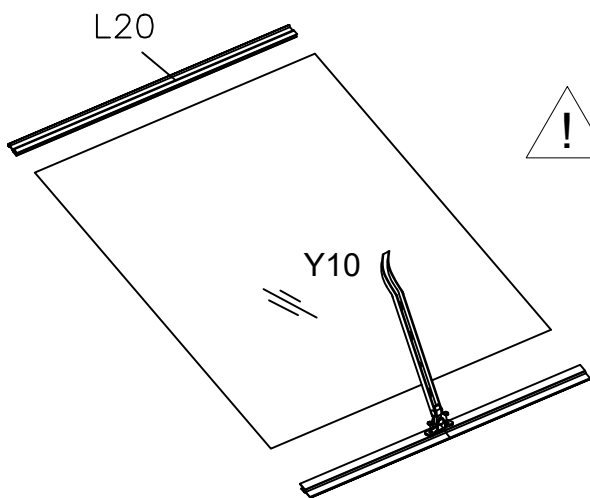


PART	NO.	QTY.
	L11A	1
	L19	2
	L20	1
	L21	1

Part	NO.	QTY.
	Y10	1
	A01	1
	Z02 Ø4X16D	6
	Z04 Ø4X8	2

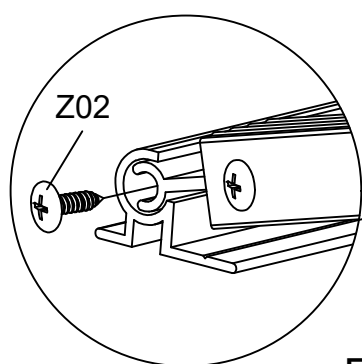
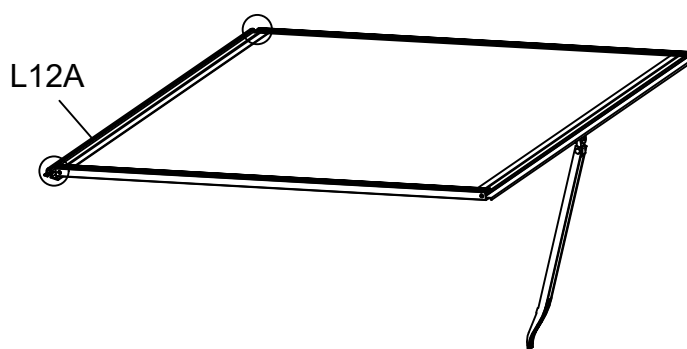
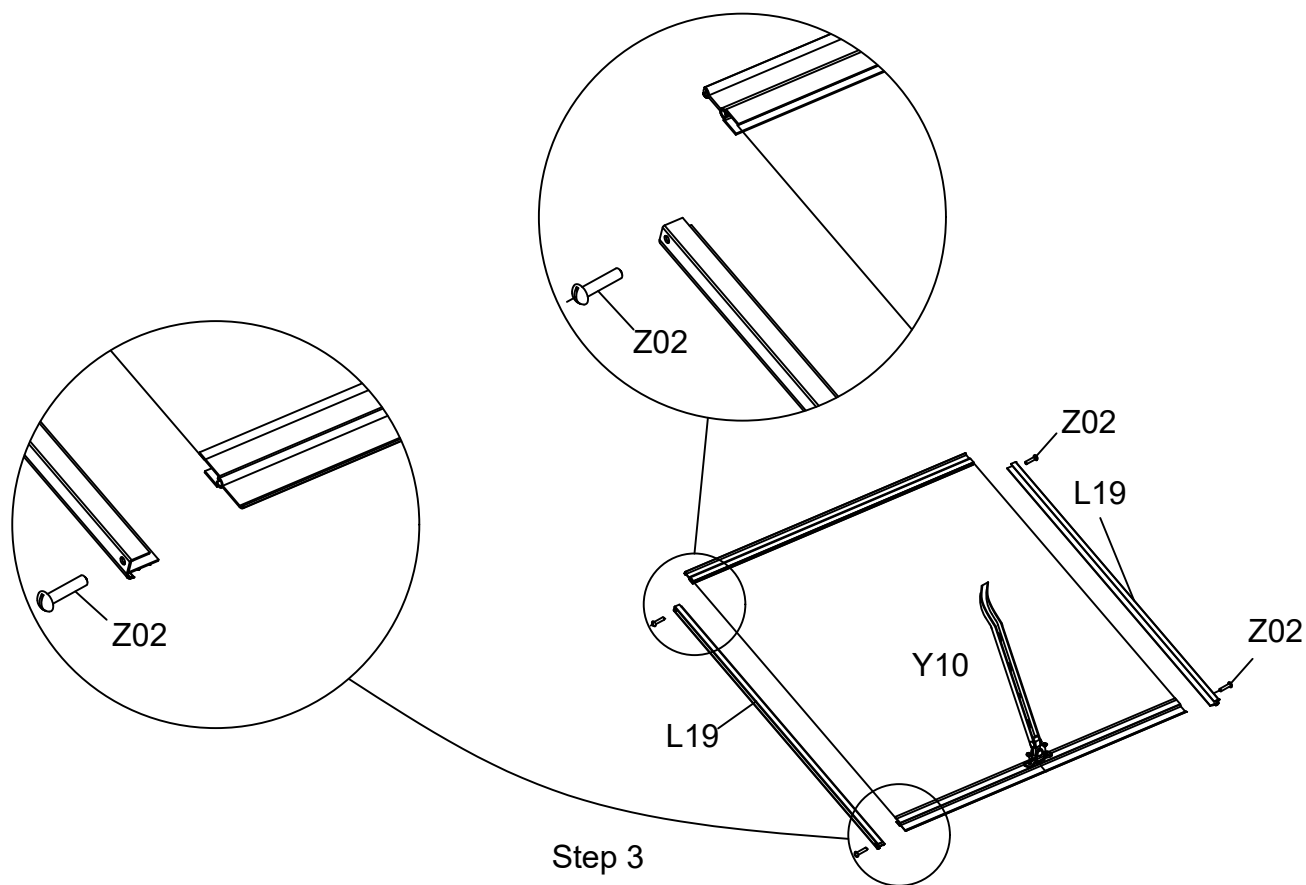


Step 1





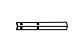
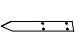




Step 2

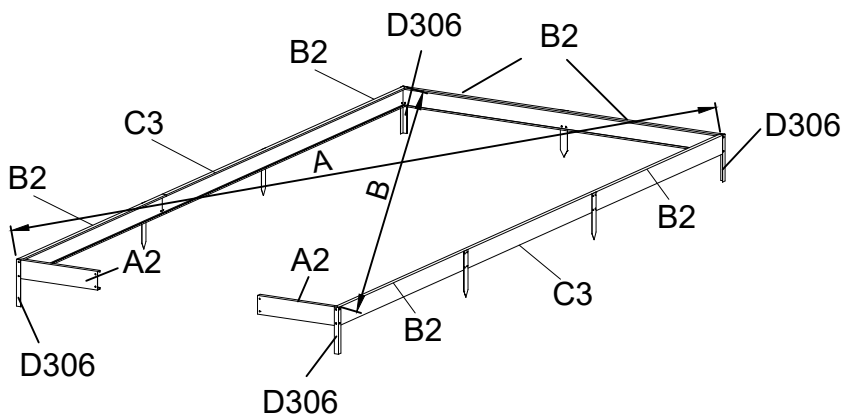
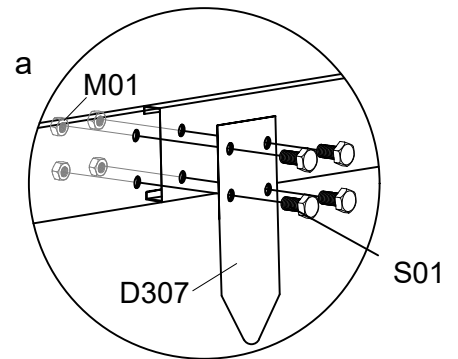
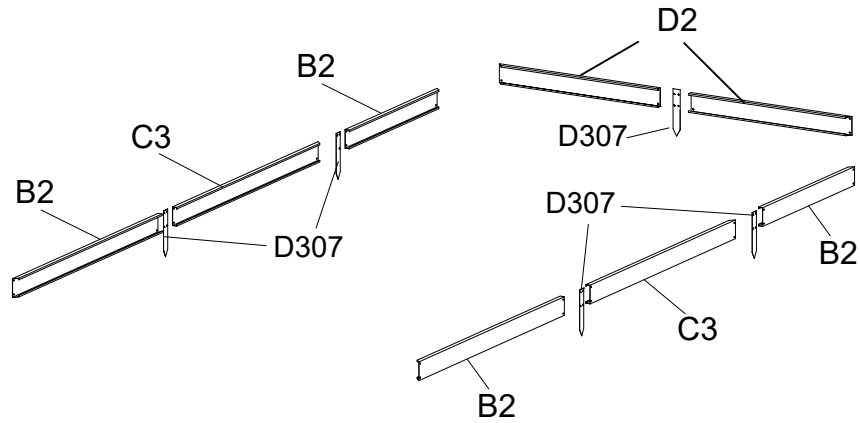
! Attention: Remove the protective films from both sides of each polycarbonate panel, before inserting into aluminum channels. Ensure the milky white film faces towards the Sun.



Four windows are standard

PART	NO	QTY
	A2	2
	B2	4
	C3	2
	D2	2
	D306	4
	D307	5
	S01 M6X12	36
	M01 M6	36

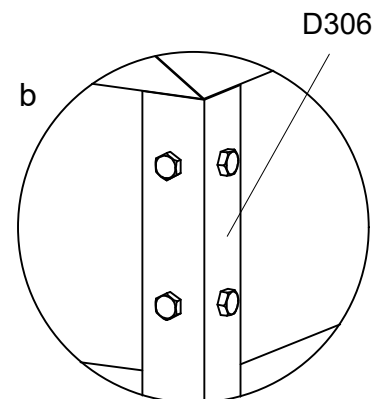
Base Assembly



Attention! D306 and D307 must be inserted into the soil or installed in reverse!

Ⓐ = Ⓑ

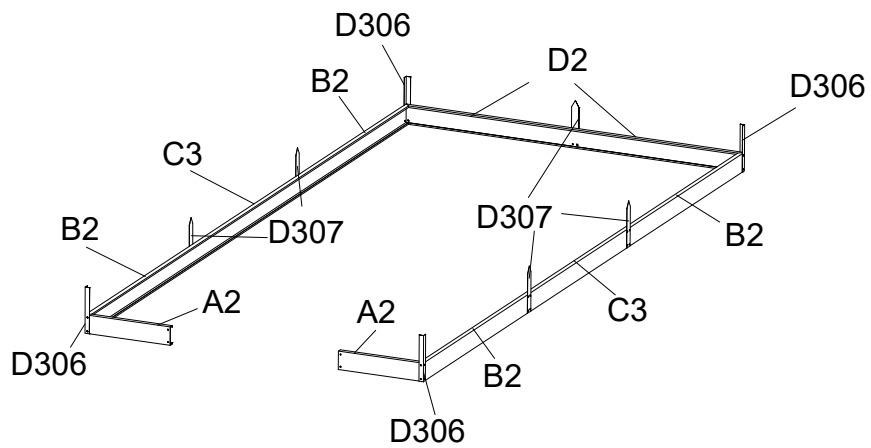
Fix the base before assembly the greenhouse. This is the way to fix the base.


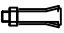


Base Assembly

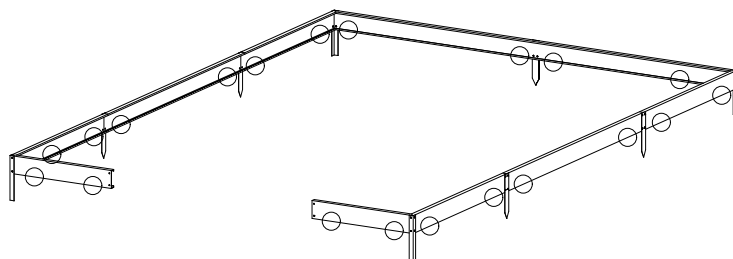


! Attention: Turn over the steel plinths D306 & D307 to complete the base installation as shown below, when the greenhouse is NOT inserted and secured into the soft soil.

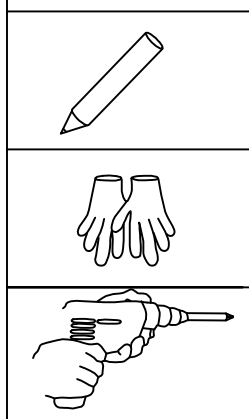
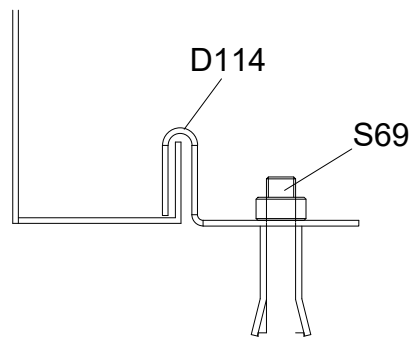
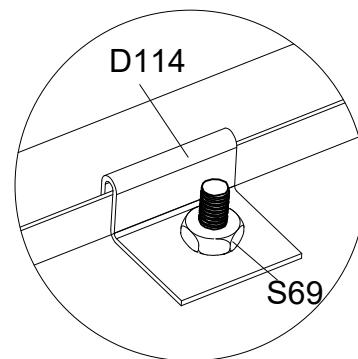
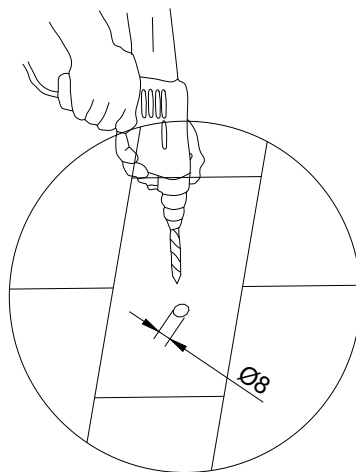
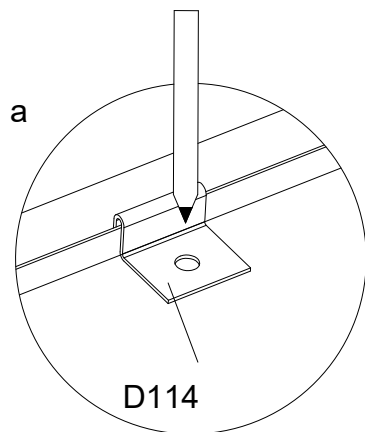
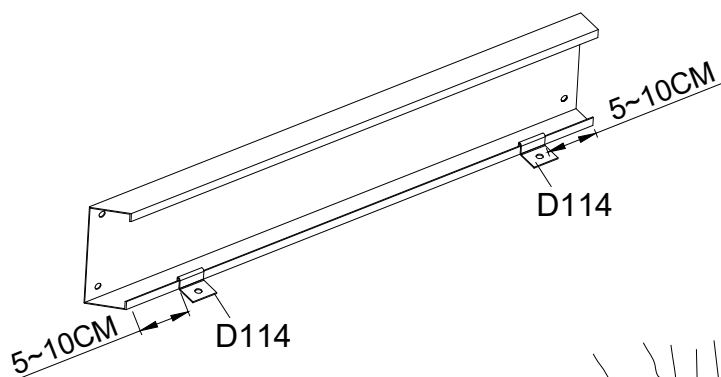


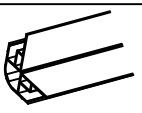




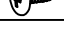
PART	NO	QTY
	D114	20
	S69 M6X60	20

Base Assembly

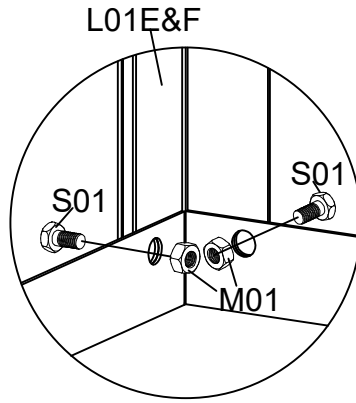


1. Fix the base anchor clip D114 onto each base section with a distance of 5~10CM from each end.
2. Mark the middle of the D114 hole to drill the $\text{Ø}8$ hole, then use S69 to fix the D114 to the ground

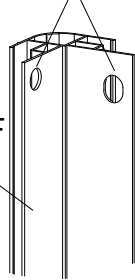


PART	NO	QTY
	L01E	1
	L01F	1
	L08B	2
	L10A	2
	L10B	1
	S01	4
	M6X12	
	M01	4
	M6	
	Z08	8
	M4.2X16	

Wall Assembly



Different distance



L01E&F

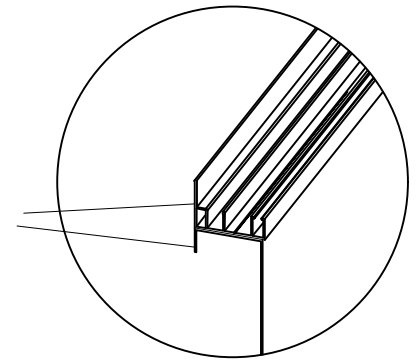
L10A

L10B

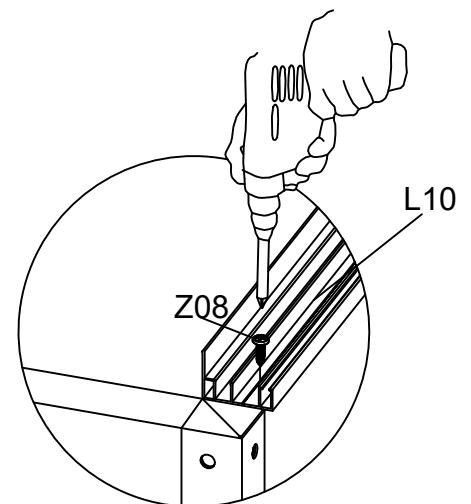
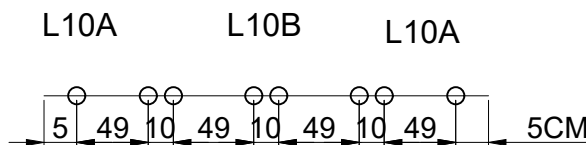
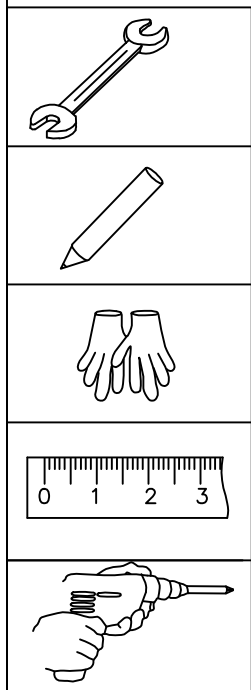
Line up from inside

Attention! L01E, L01F holes with different distances should be installed facing upwards.




Make sure they line up from inside with the base plinth before fixing them with Z08

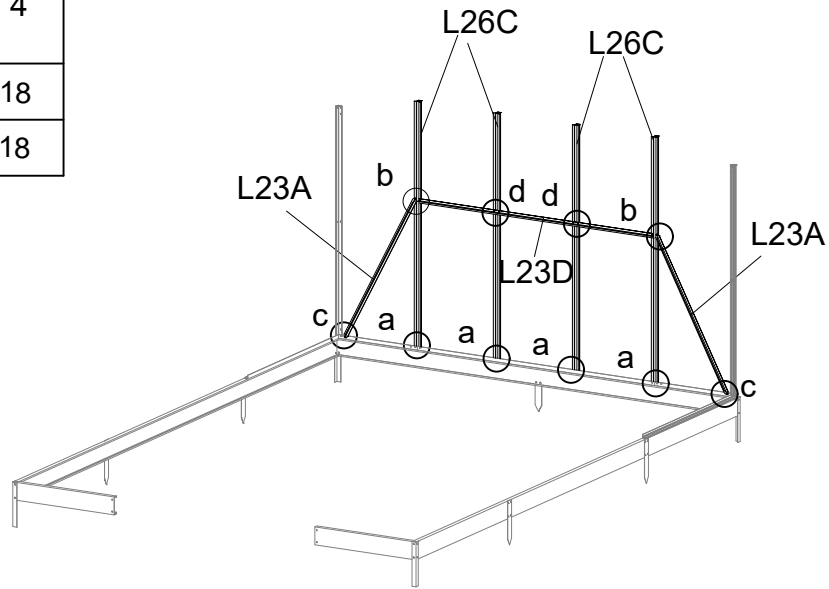


1. Place L10A, L10B, L01E, L01F & L08C on the base plinth (B2 & C2), then fix them together using S01 & M01 as shown. Make sure they line up from inside of the base plinth.
2. Use a powered screwdriver to fix the self-tapping screws (Z08) through the cills (L10A, L10B & L08C) and base plinth (B2, C2 and A2). The screws should be evenly spaced to ensure a neat appearance. The recommended spacing of the screws is 490mm. You can mark the painted surfaces with a pencil.



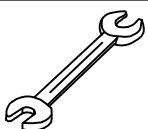
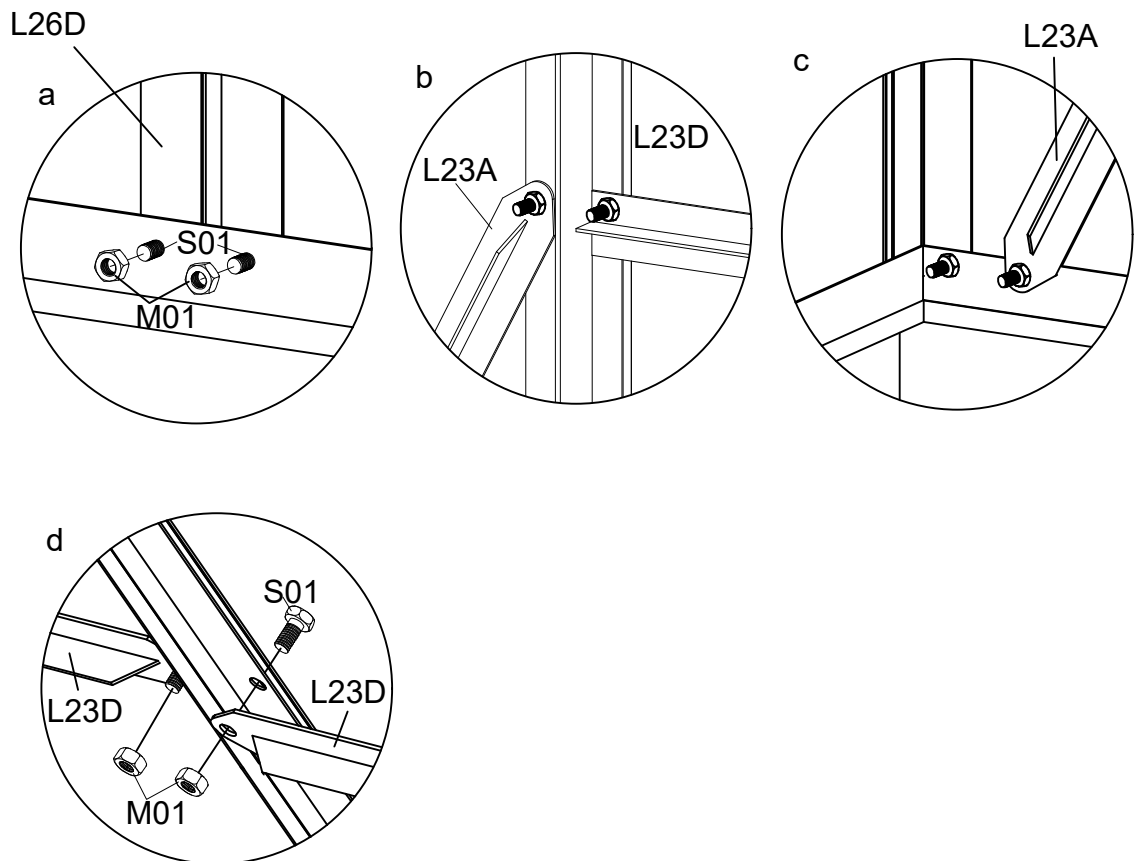
Wall Assembly

PART	NO	QTY
	L23A	2
	L23D	1
	L26C	4
	S01 M6X12	18
	M01 M6	18

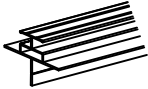






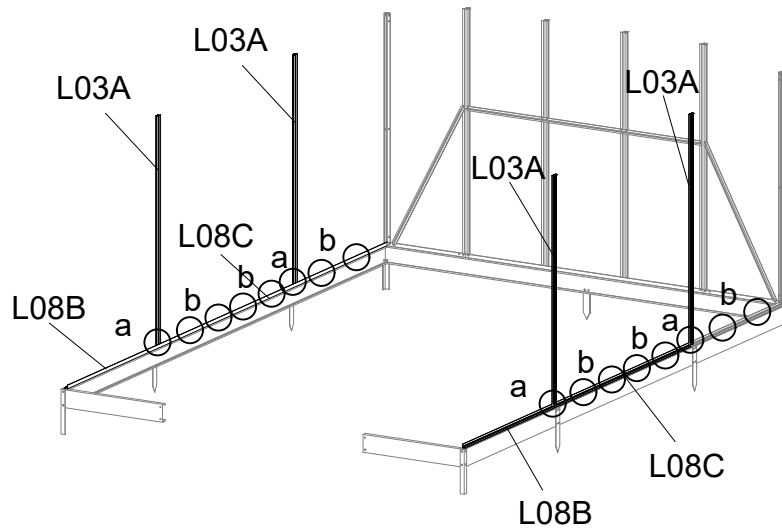
Fix L26D onto L10B, using S01 & M01.

Fix L23A&L23D to L01E, L01F & L26C,using S01 & M01



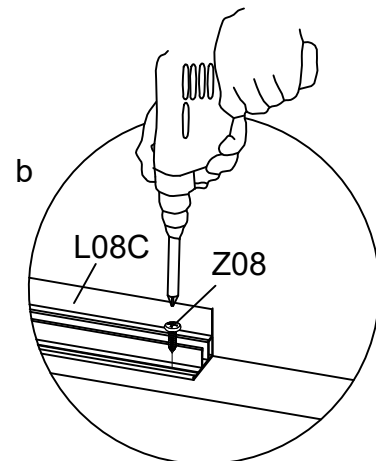
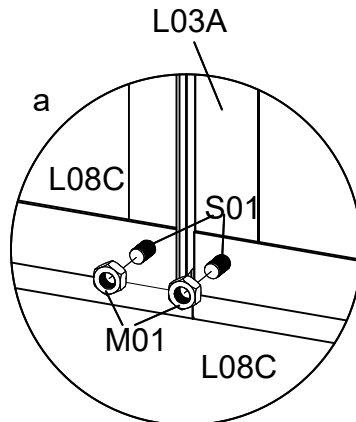
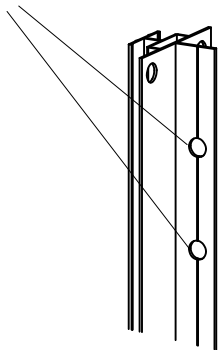
Wall Assembly

PART	NO	QTY
	L03A	4
	L08B	2
	L08C	2
	S01 M6X12	8
	M01 M6	8
	Z08 M4.2X16	20

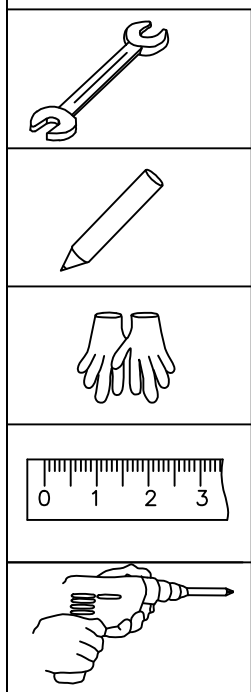
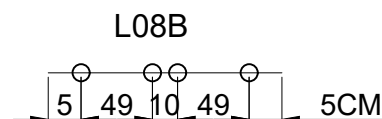
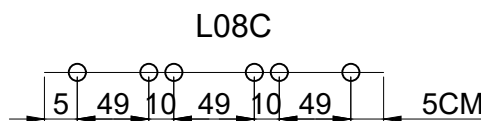


1. Place L08C on the base plinth and fix L03A onto L08C, using S01 & M01.
2. Use a powered screwdriver to fix the self-tapping screws (Z08) through the cills (L08C) and base plinth (C2). The screws should be evenly spaced to ensure a neat appearance. The recommended spacing of the screws is 490mm. You can mark the painted surfaces with a pencil.

Attention! : Install the L03A with the side with the hole facing up!

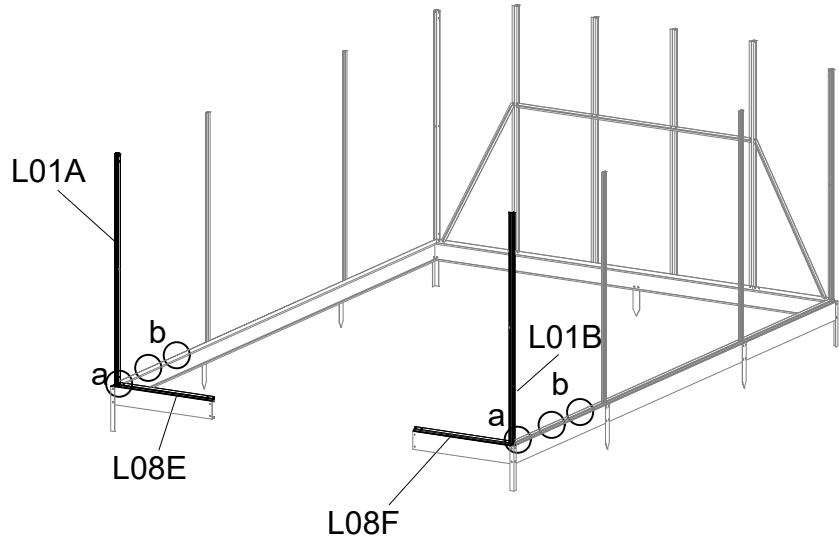


Z08 distances reference

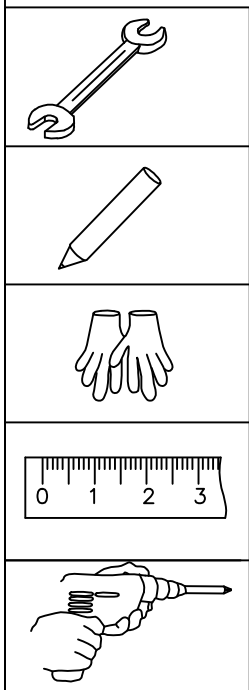
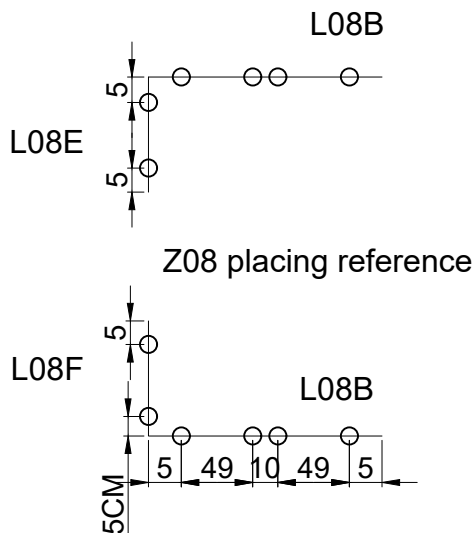
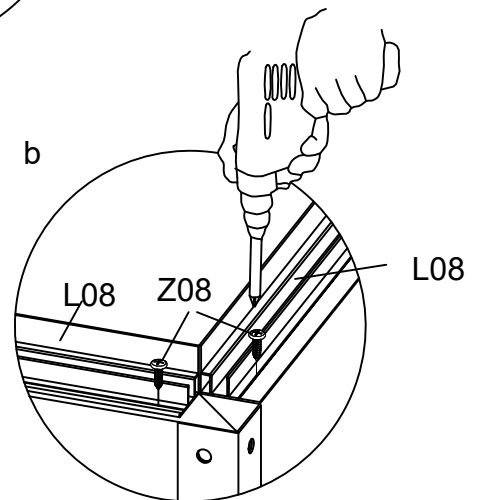
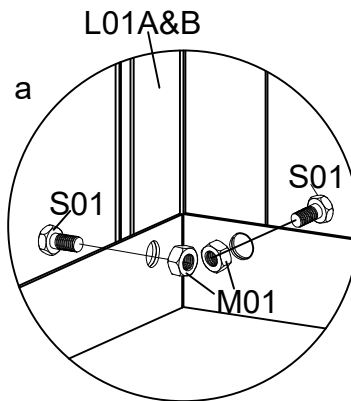


Wall Assembly




PART	NO	QTY
	L01A	1
	L01B	1
	L08E	1
	L08F	1
	S01 M6X12	4
	M01 M6	4
	Z08 M4.2X16	16

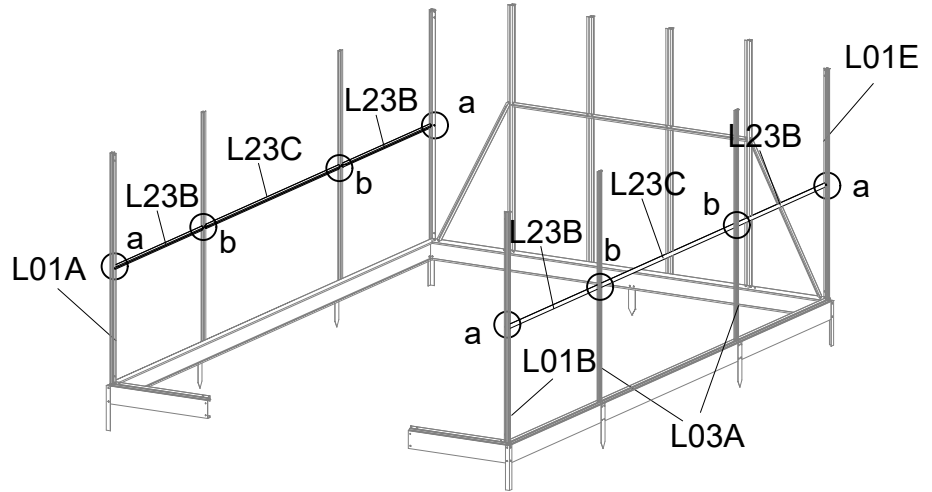


1. Place L08E & L08F on the base plinth and fix L01A & L01B onto L08C & L08E/L08F, using S01 & M01.
2. Use a powered screwdriver to fix the self-tapping screws (Z08) through the cills (L08C, L08E & L08F) and base plinth (A2 & C2). The screws should be evenly spaced to ensure a neat appearance. The recommended spacing of the screws is 490mm. You can mark the painted surfaces with a pencil.

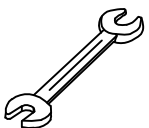
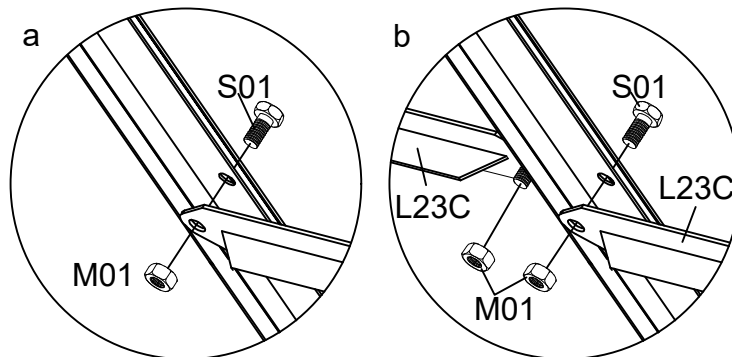


Wall Assembly








PART	NO	QTY
	L23B	4
	L23C	2
	S01 M6X12	12
	M01 M6	
	M01 M6	12

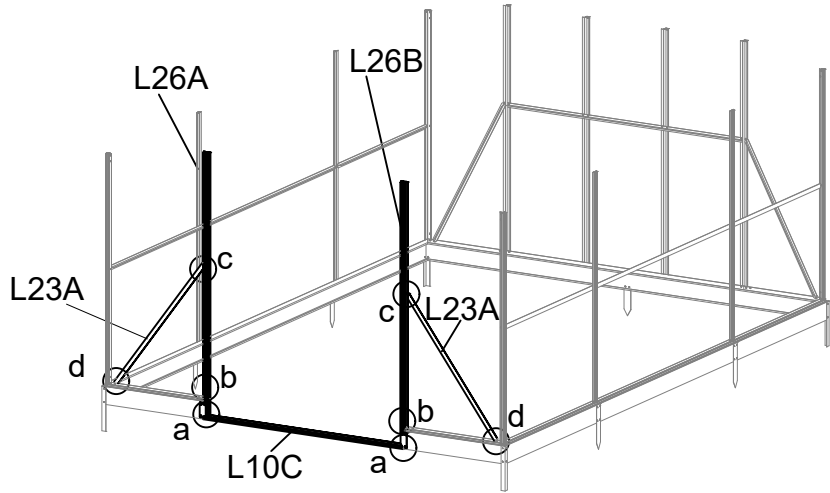


Fix L23C * 4PCS onto L01A, L01B, L03A, L01E & L01F, using S01 & M01

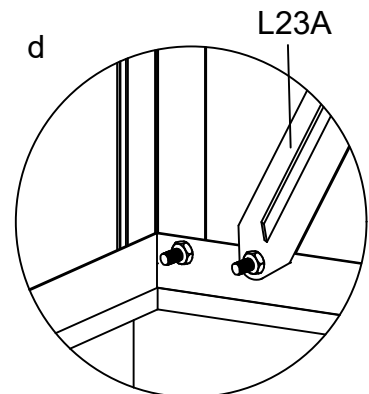
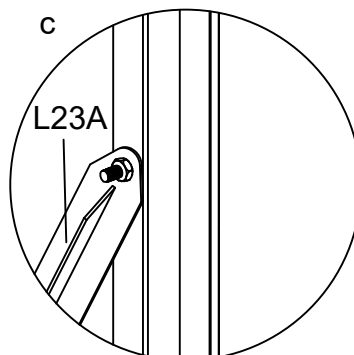
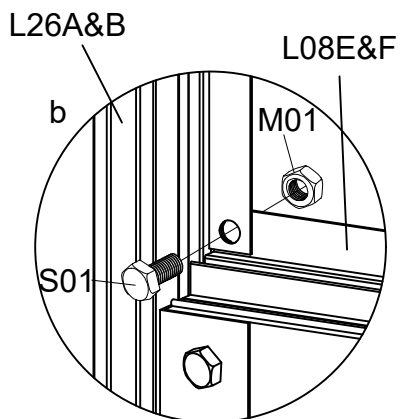
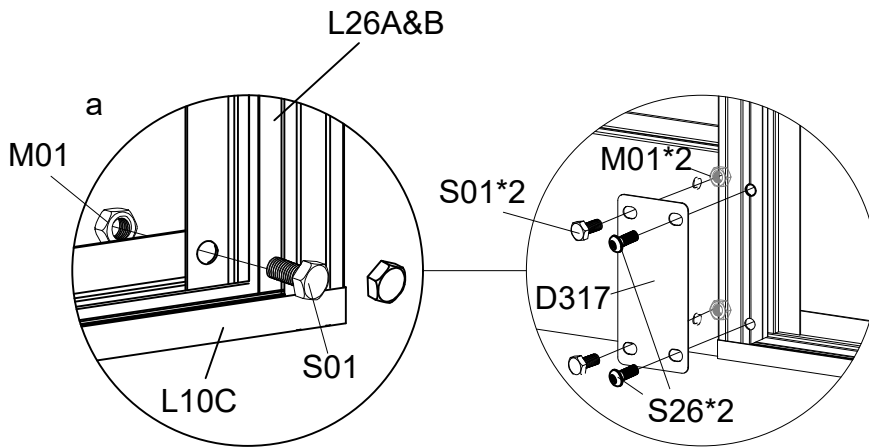


Wall Assembly

PART	NO	QTY
	L10C	1
	L23A	2
	L26A	1
	L26B	1
	D317	2
	S01	12
	M6X12	
	M01	12
	M6	
	S26	4
	M6X12	





Fix L26A onto L08E,
L26B onto L08F using S01 & M01



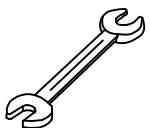
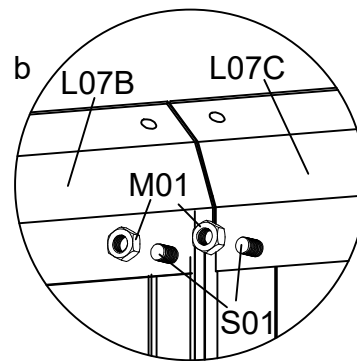
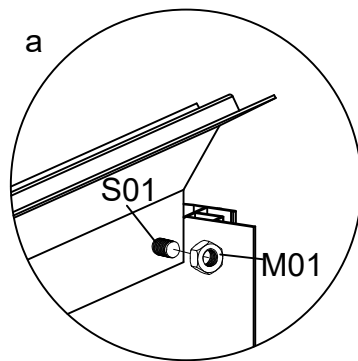
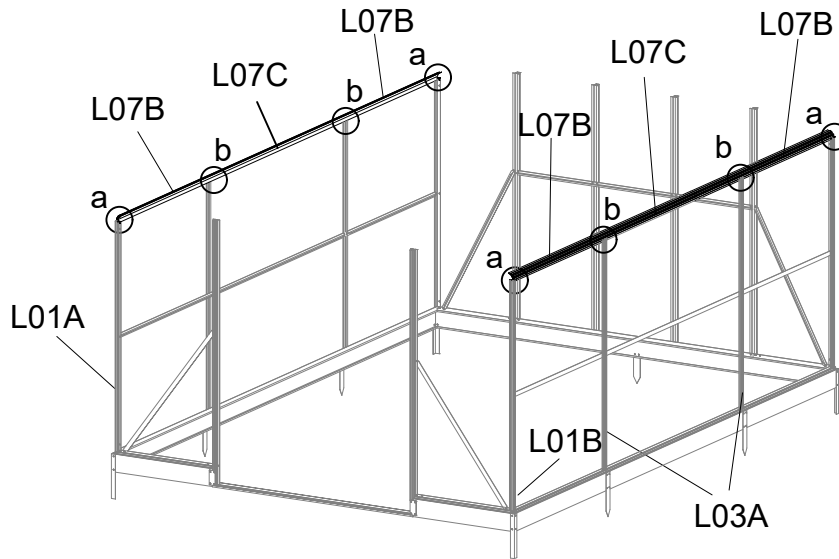
Fix L23A * 2PCS onto L01A & L26A
/L01B & L26B, using S01 & M01.



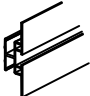


Wall Assembly

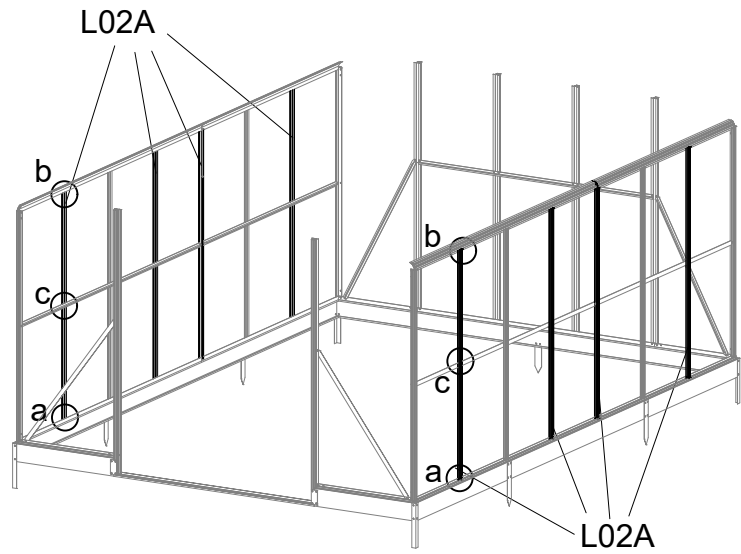
PART	NO	QTY
	L07B	4
	L07C	2
	S01 M6X12	12
	M01 M6	12

Fix L07C * 2PCS onto L01A, L03A & L01F and L01B, L03A & L01E, using S01 & M01

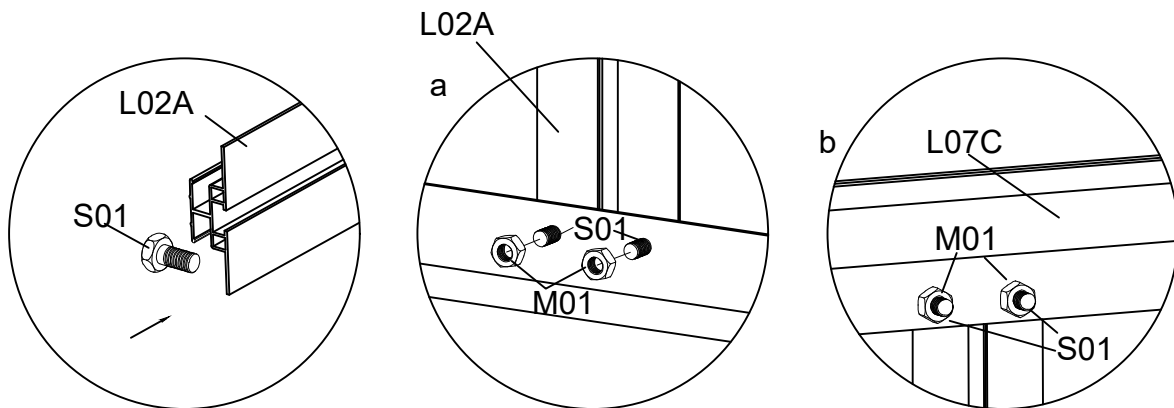


Wall Assembly

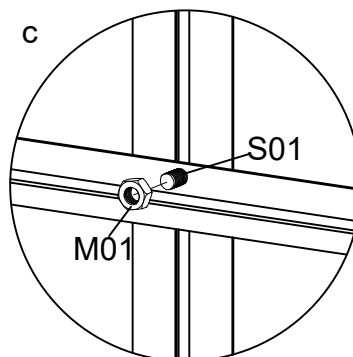
PART	NO	QTY
	L02A	8
	S01 M6X12	40
	M01 M6	40



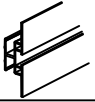



Fix L02A (8pcs) to L08C and L07C using S01 & M01.

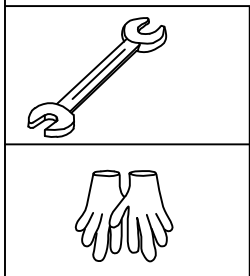
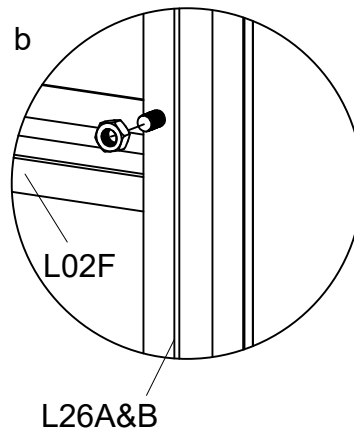
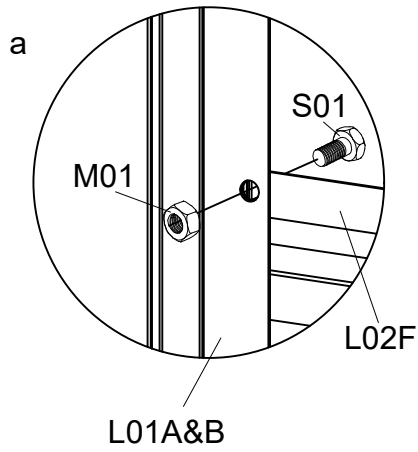
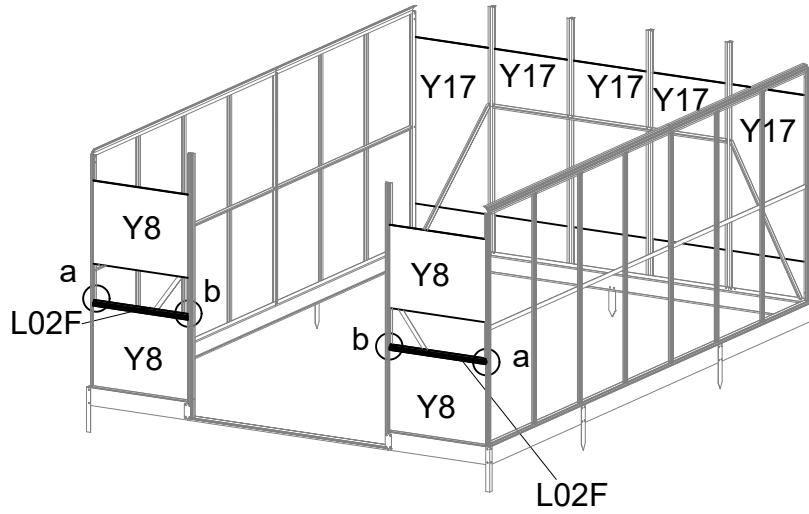


Slide a bolts (S01) into each L02A bolt channel. One is to fix L23C

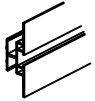





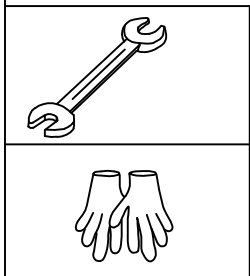
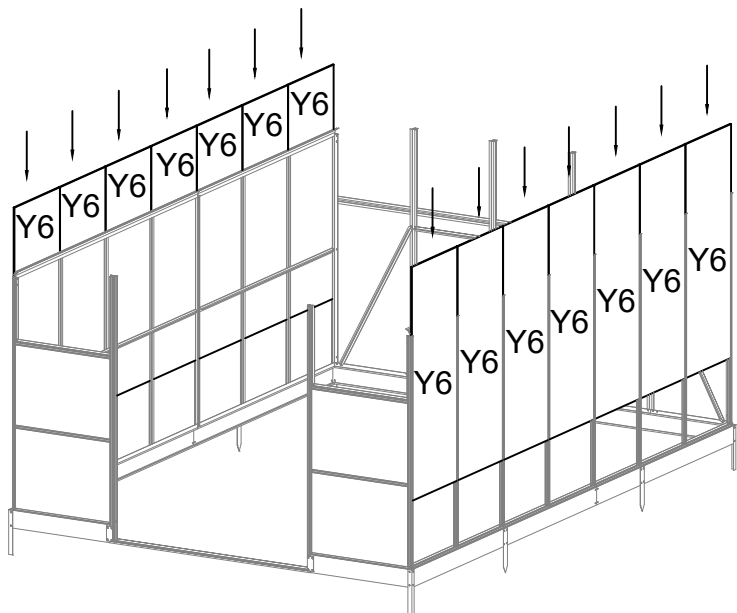
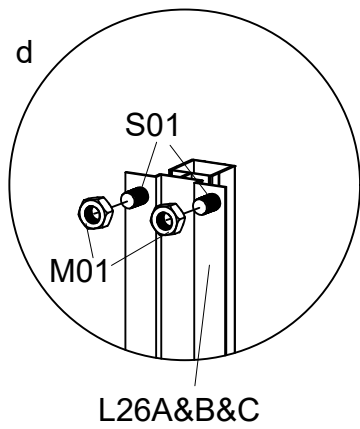
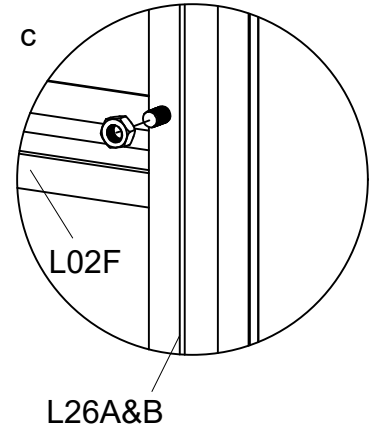
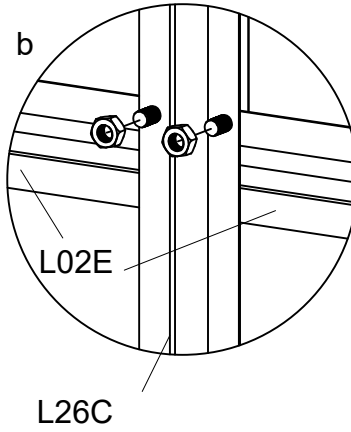
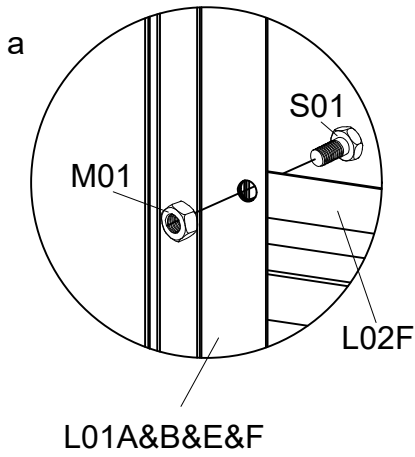
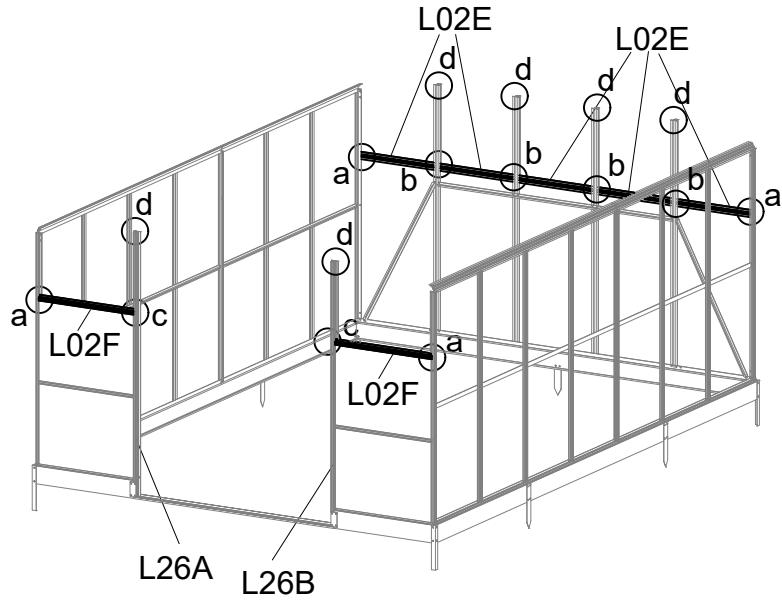
Wall Assembly



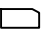
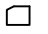






PART	NO	QTY
	L02F	2
	Y8	4
	Y17	5
	S01 M6X12	4
	M01 M6	4



Wall Assembly

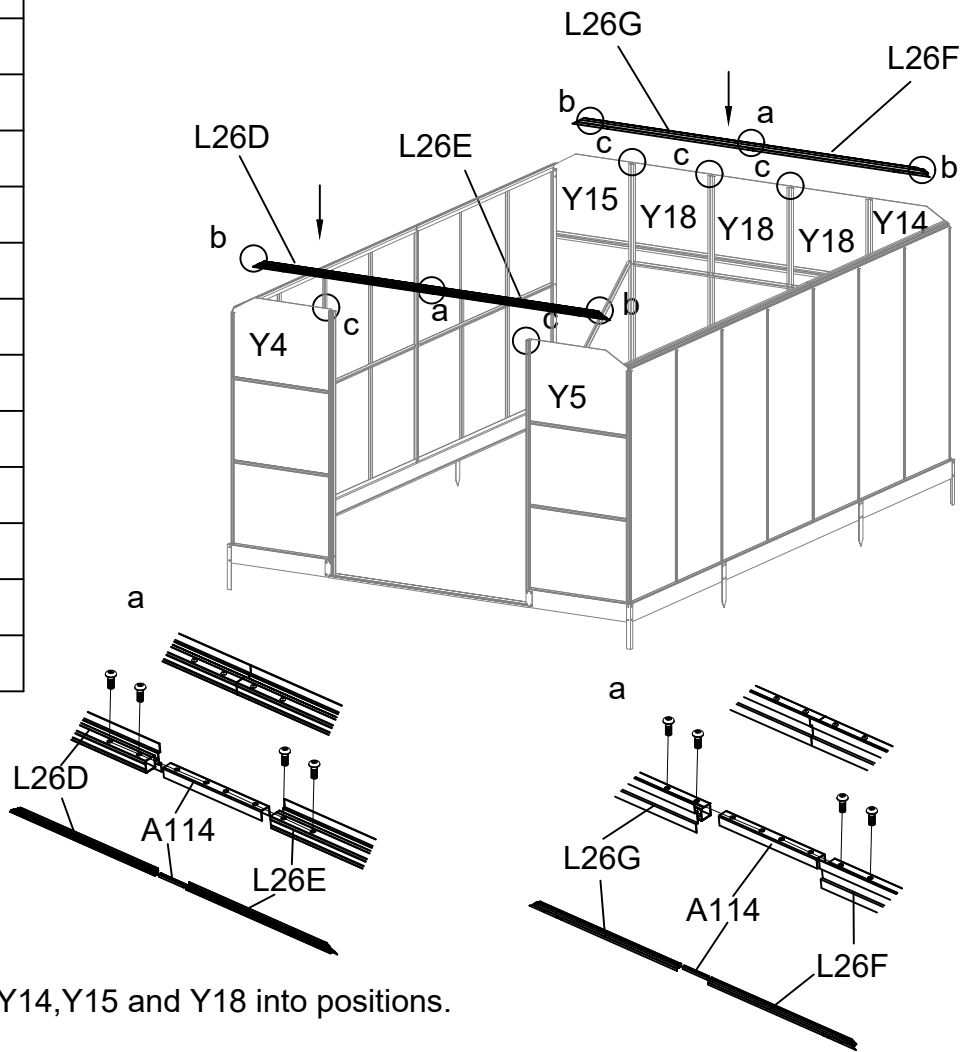
PART	NO	QTY
	L02E	5
	L02F	2
	Y6	14
	S01	10
	M6X12	
	M01	10
	M6	



PART	NO	QTY
	L26D	1
	L26E	1
	L26F	1
	L26G	1
	Y4	1
	Y5	1
	Y14	1
	Y15	1
	Y18	3
	A114	2
	S01 M6X12	8
	M01 M6	8
	S26 M5X12	8

Put the panels into positions

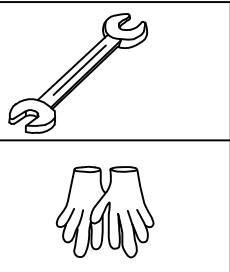
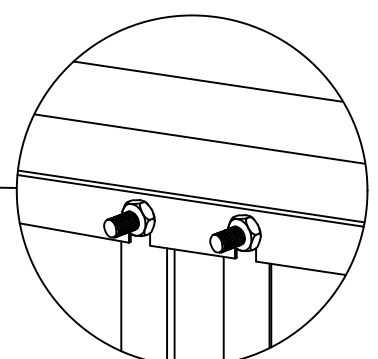
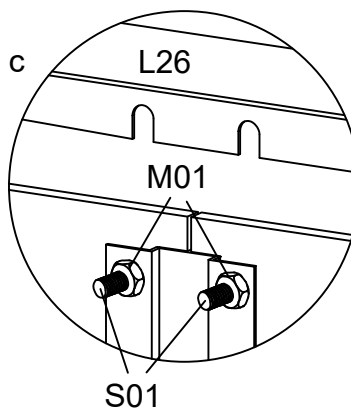
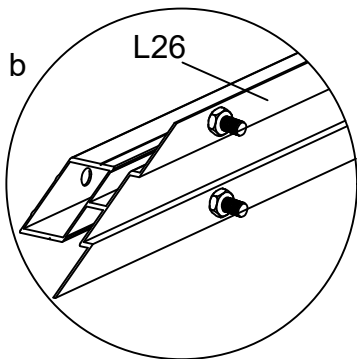
Wall Assembly



Put the panels Y4, Y5, Y14, Y15 and Y18 into positions.

! Attention:

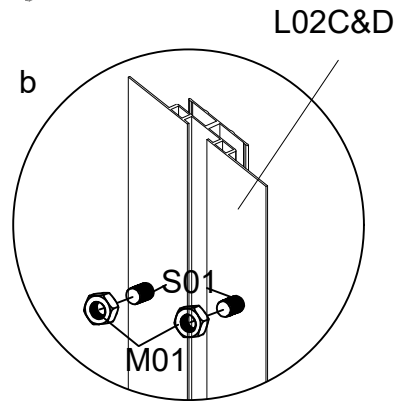
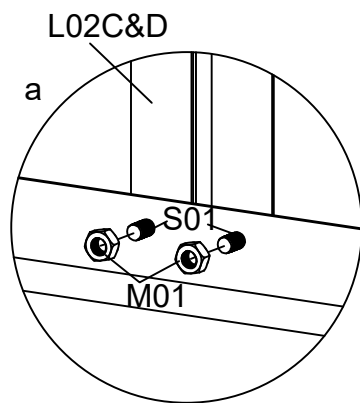
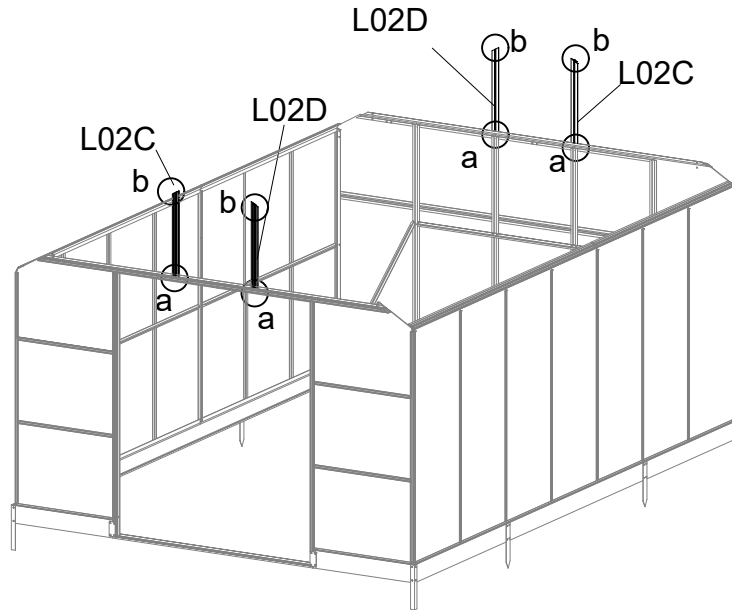
Please pre-load S01 & M01 on L26D, L26E, L26F & L26G before putting panels Y4, Y5, Y14, Y15 & Y18 into position.



Loose the nuts M01 on L26C, L26D, L26E & L26F to allow L26C, L26D, L26E & L26F fitted in. After the screws are inserted into the U-shaped opening, it is necessary to adjust the structure and lock it.

PART	NO	QTY
	L02C	2
	L02D	2
	Y1	2
	Y2	2
	Y3	2
	S01 M6X12	16
	M01 M6	16

Top Assembly

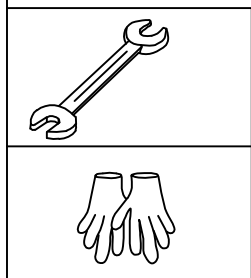
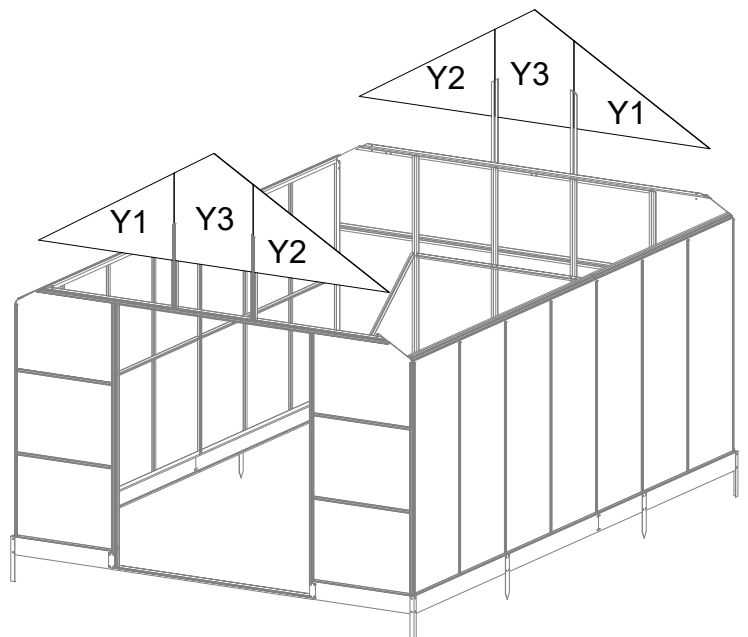


Preload S01 & M01 on L02C and L02D before fixing them to L01C/L01D. See figure b.

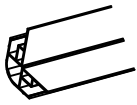







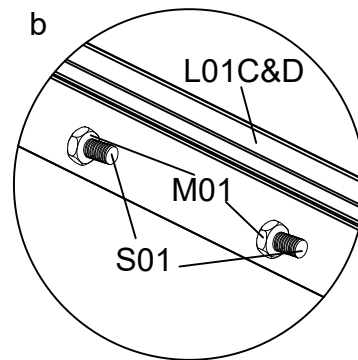
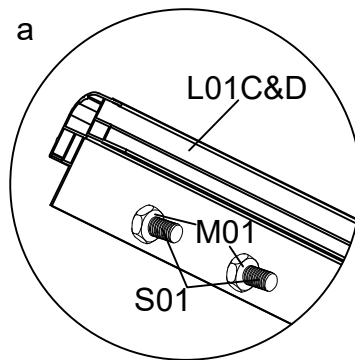
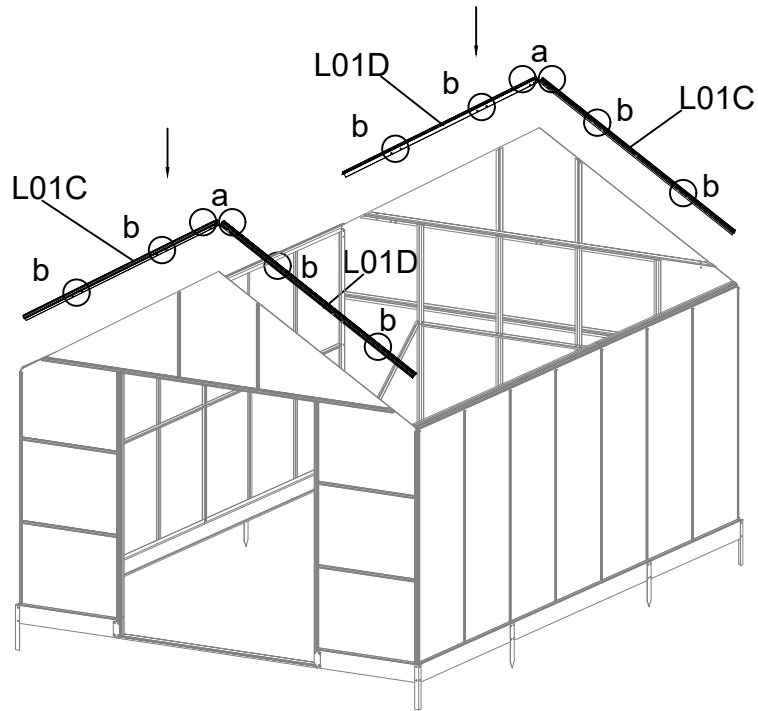
! Attention: Remove the protective films from both sides of each polycarbonate panel, before inserting into aluminum channels. Ensure the milky white film faces towards the Sun.

Put the glazing panels Y1, Y2 & Y3 into positions.

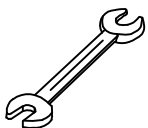


Top Assembly

PART	NO	QTY
	L01C	2
	L01D	2
	D17	2
	D38	4
	D309	4
	S01 M6X12	28
	M01 M6	
	M01 M6	28

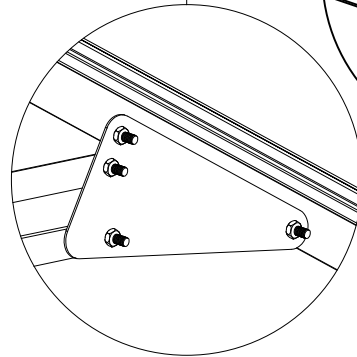
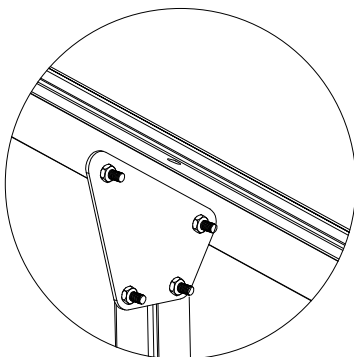
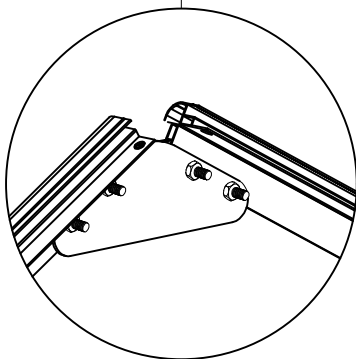
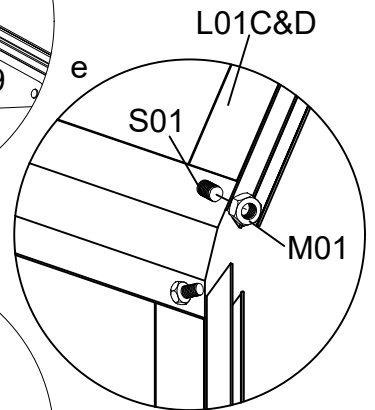
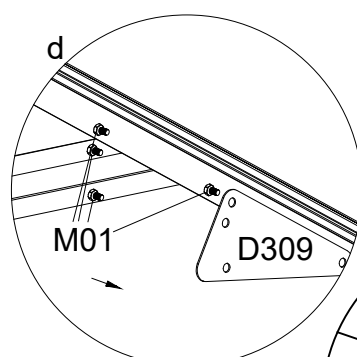
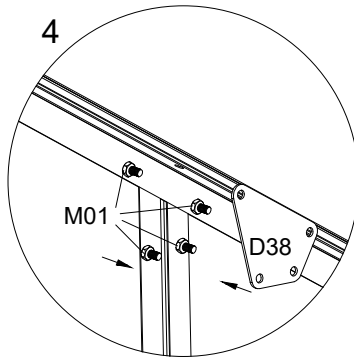
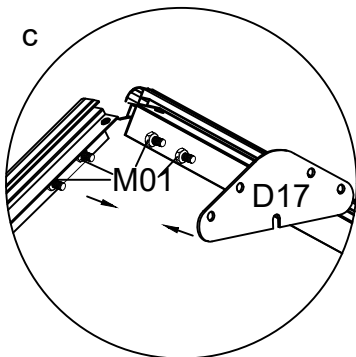
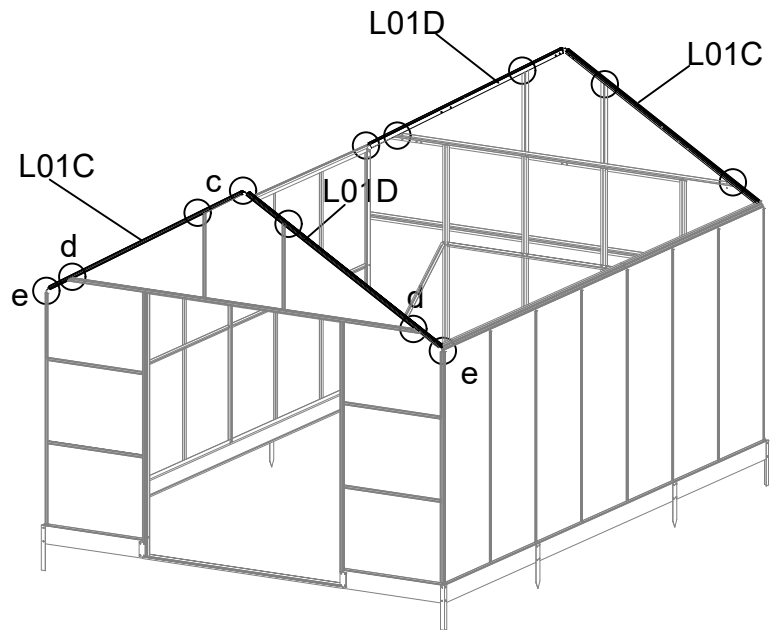


1. Preload S01 & M01 on L01C and L01D before fixing them to L01A/L01B. See figure a & b.



Top Assembly

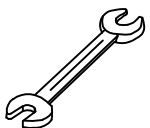
If the holes are not aligned, it may be due to uneven foundation, adjust the foundation and frame to solve the problem

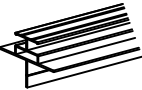






2. Bolt L01C and L01D with plate D17, using S01 & M01 preloaded. And then fix them to L02C, using S01 & M01.

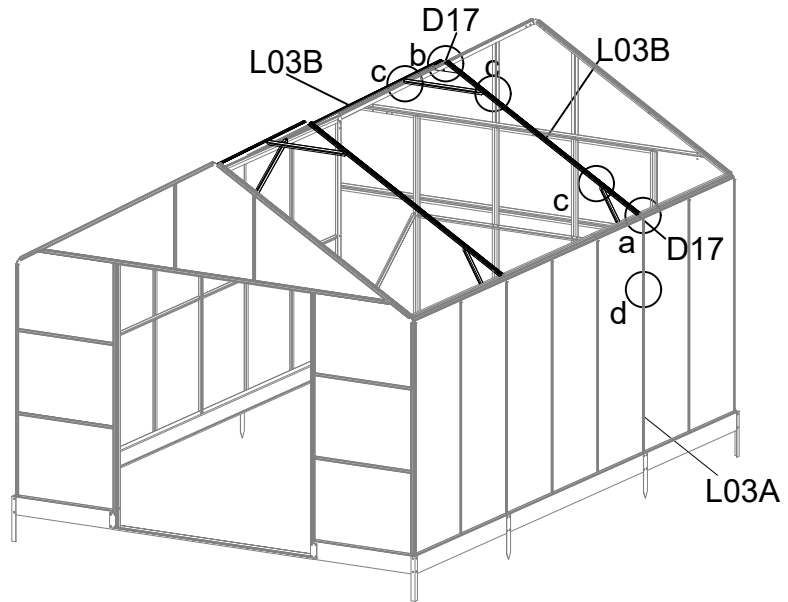
3. Fix L01C & L01D to L26G & L26H with the plate D309, using the S01 and M01 preloaded above.

4. Fix L01C & L01D to L01A & L01B, using S01 & M01.



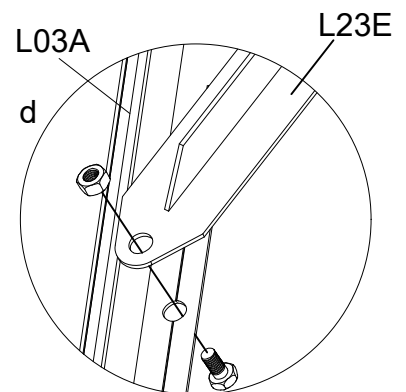
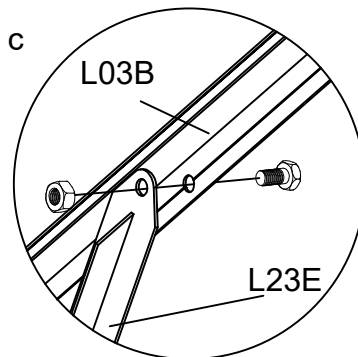
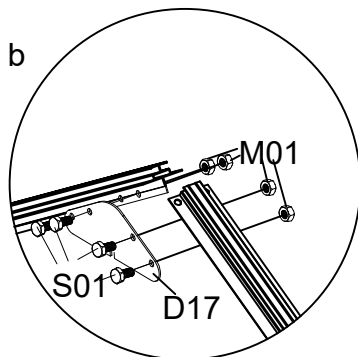
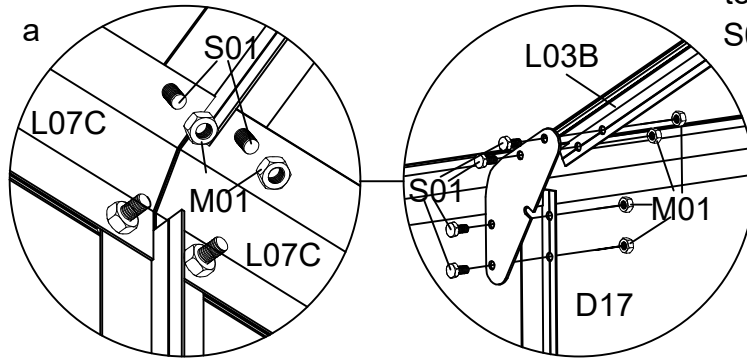
PART	NO	QTY
	L03B	4
	L23E	6
	D17	6
	S01 M6X12	44
	M01 M6	44

Top Assembly



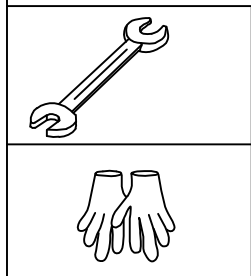
Fix plates D17 to L03A & L03B using S01 & M01.

Fix glazing bars L03B to the eaves and the ridge profiles using S01 & M01

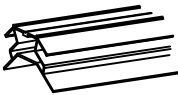



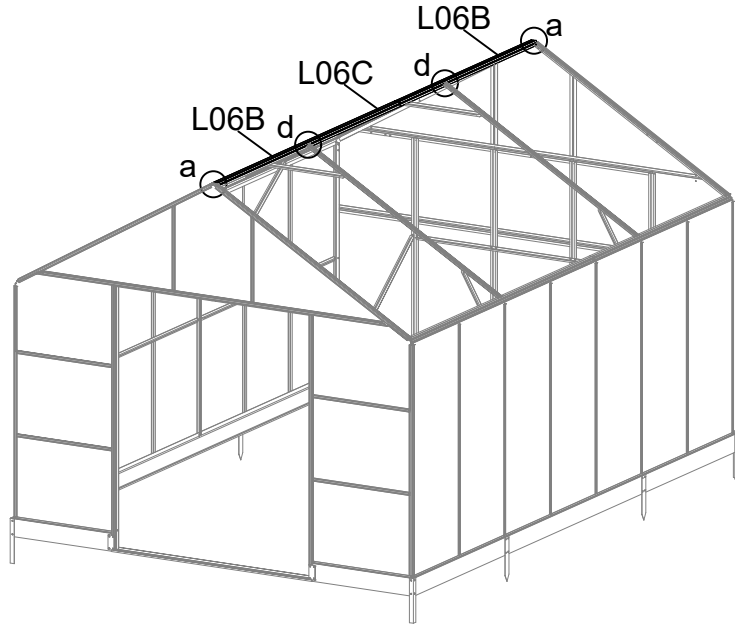
Fix plates D17 to the two L03B using S01 & M01.

Fix L23E to L03A and L03B using S01 & M01.

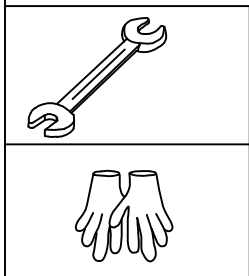
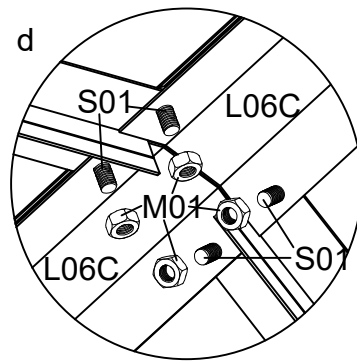
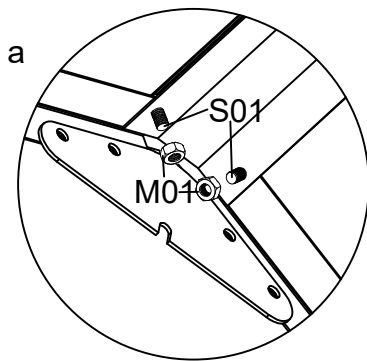


Top Assembly

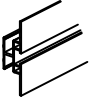


PART	NO	QTY
	L06B	2
	L06C	1
	S01 M6X12	12
	M01 M6	12

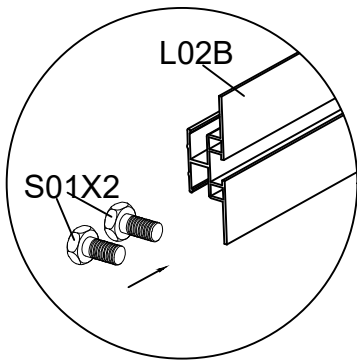
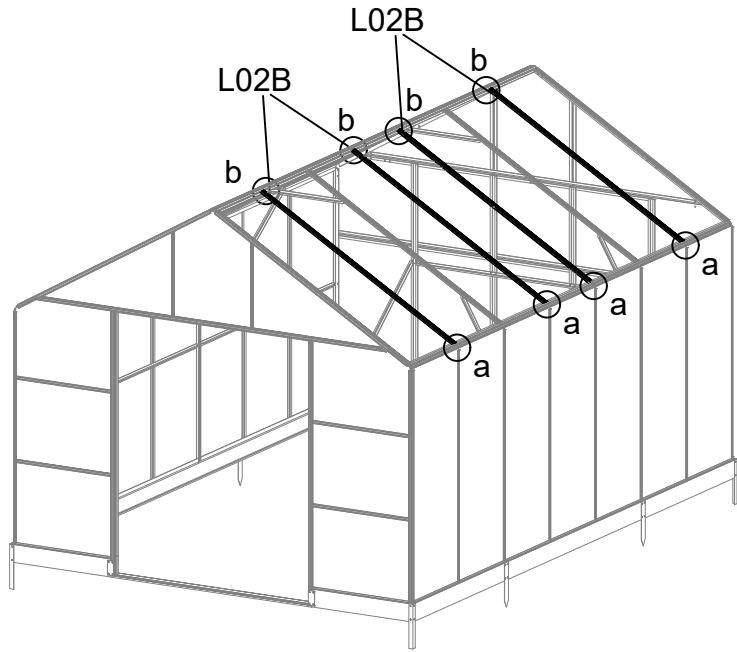


Bolt the ridge L06C (2pcs) to L01C, L01D and L03B, using S01 & M01.

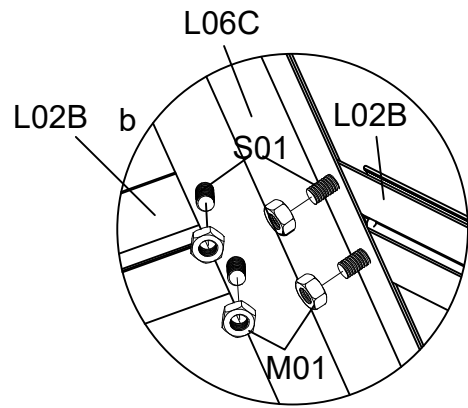
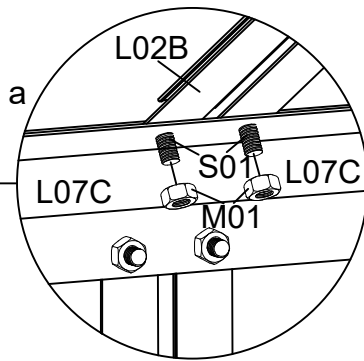


Top Assembly

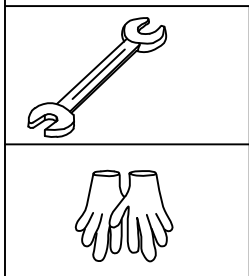
PART	NO	QTY
	L02B	8
	S01 M6X12	48
	M01 M6	32









Slide 2 bolts (S01) into each L02B bolt channel to be used later.

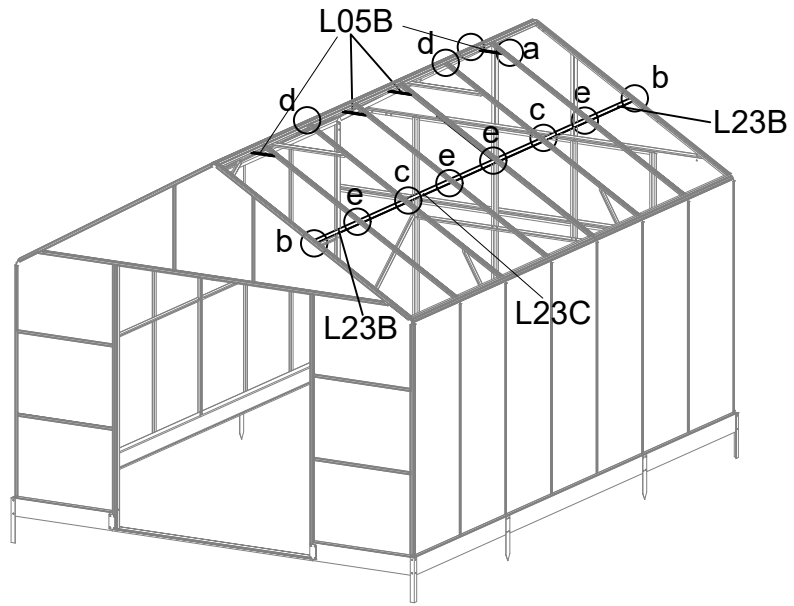


Fix glazing bars L02B (8pcs) to the eaves and the ridge profiles with S01 & M01

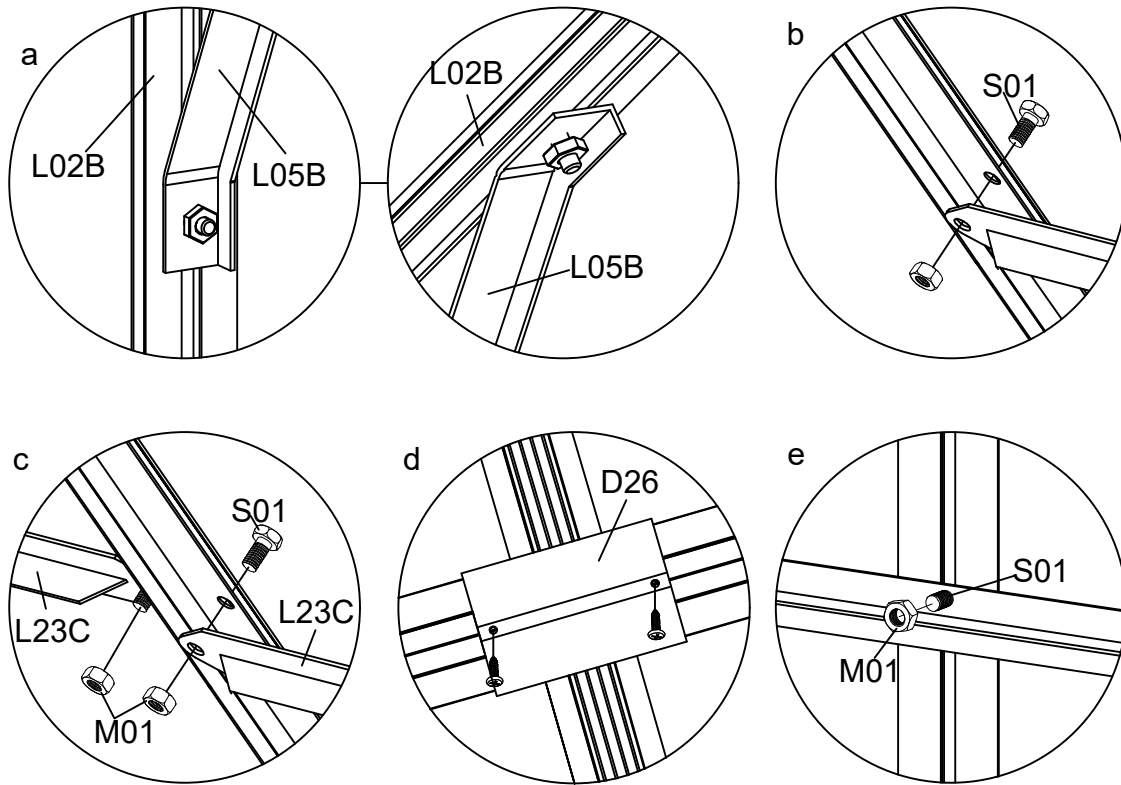


PART	NO	QTY
	L23B	4
	L23C	2
	L05B	4
	D26	2
	S01	12
	M6X12	
	M01	28
	M6	
	Z08	4
	M4.2X16	

Top Assembly



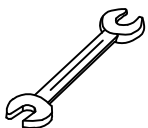
Bolt L05B (d pcs) to L02A & L02B using the S01 bolt placed in the bolt channel earlier.

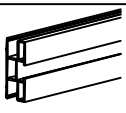


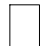
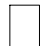
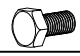



Bolt L23C to L01C/L01D & L03B with S01 & M01.

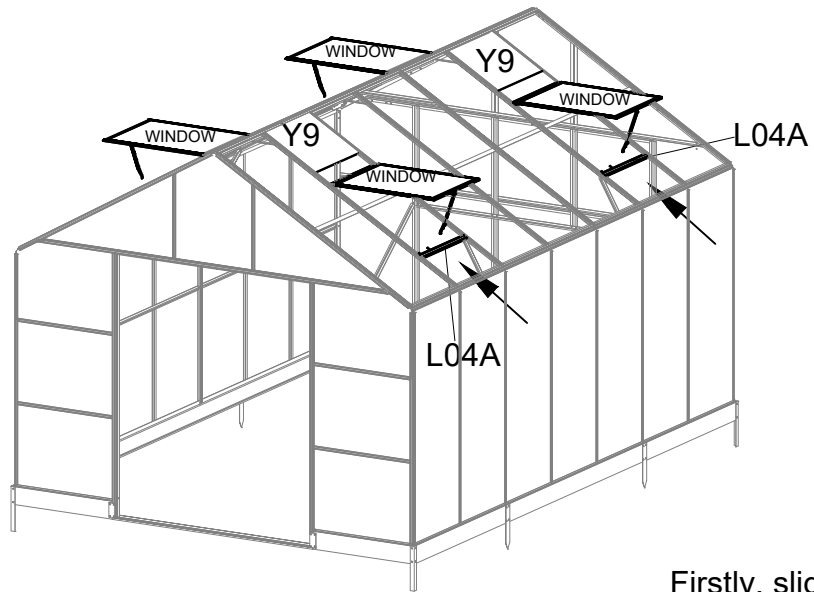
Fix D26 to L06C from outside with self-tapping screws Z08, using a powered screwdriver.

Bolt L23C to L02B using the S01 bolt placed in the bolt channel earlier.



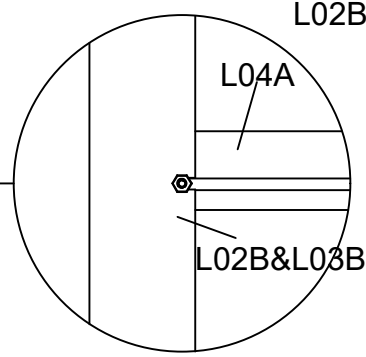
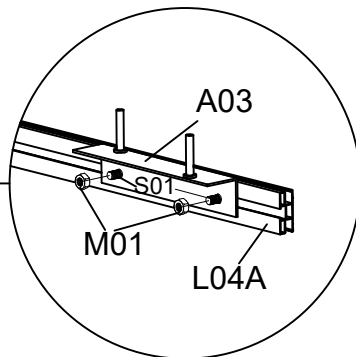
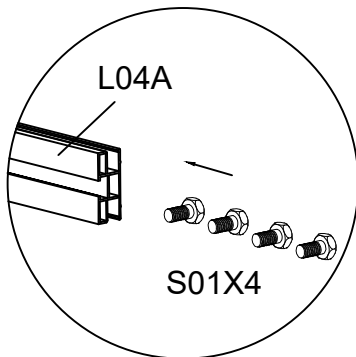
PART	NO	QTY
	L04A	4
	A03	4
	WINDOW	4
	Y7	10
	Y9	8
	S01 M6X12	24
	M01 M6	24

Top Assembly

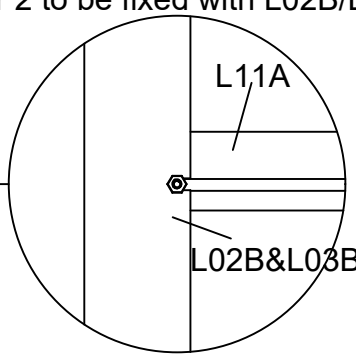
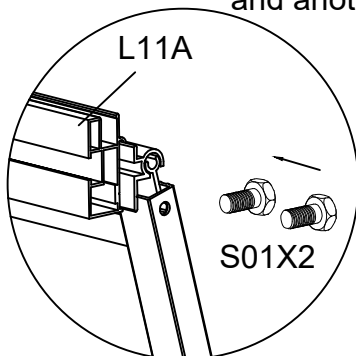


When installing L04A, the window needs to be lifted up to avoid the window not opening after the installation is complete

Firstly, slide the glazing panel Y9 into the channel of L02B/L03B

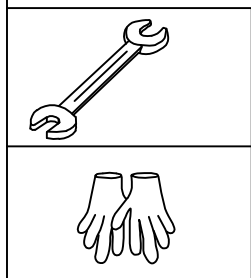
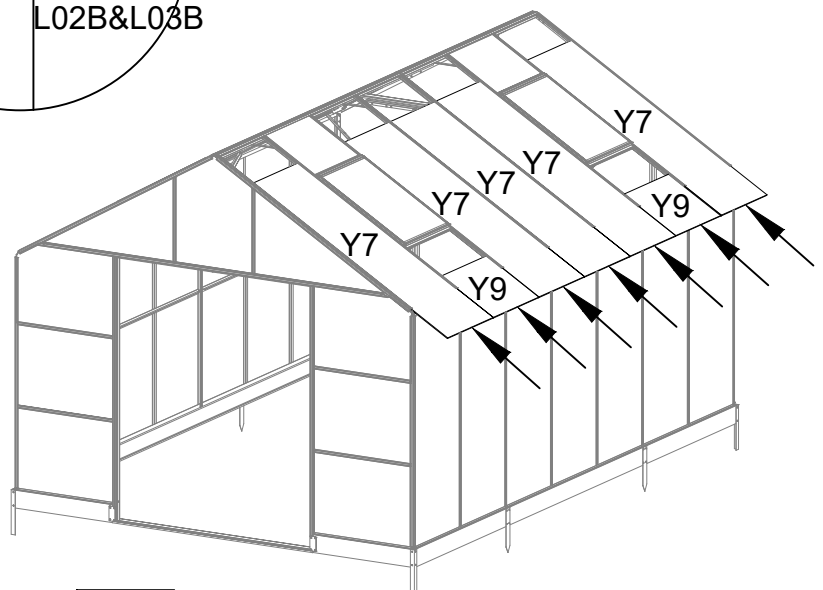


Slide 4 bolts (S01) into each L04A bolt channel. 2 to be fixed with A03, and another 2 to be fixed with L02B/L03B.

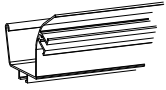
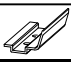
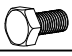


Slide the glazing panels into positions

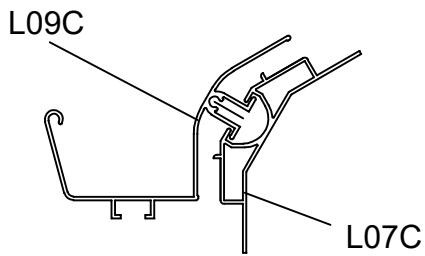
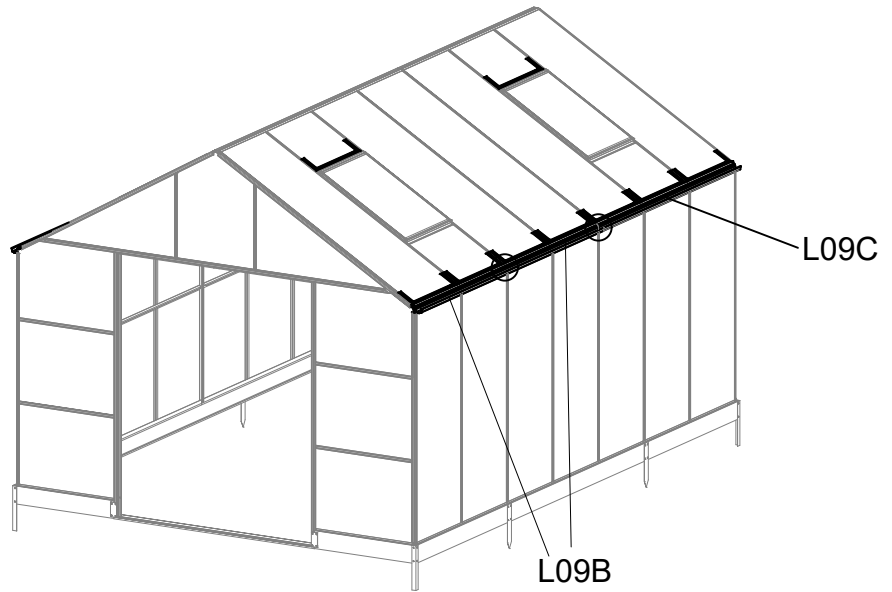
Slide 2 bolts (S01) into each L11A, and bolt it to L02B/L03B, using the S01 & M01.



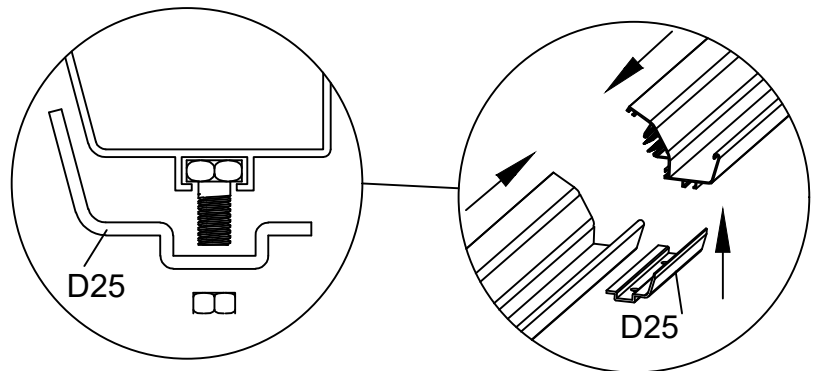
Top Assembly

PART	NO	QTY
	L09B	4
	L09C	2
	D25	4
	S01 M6X12	8
	M01 M6	8

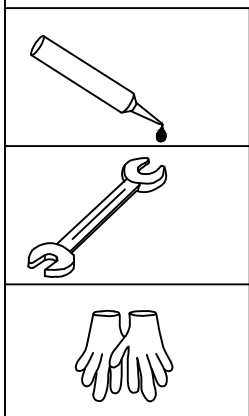
After the panels and windows are in position,
put some silicone sealant around to avoid leaking water.








When the panels are completely inserted, fix gutter profile L09C
Tap it gently into position
with a rubber mallet.

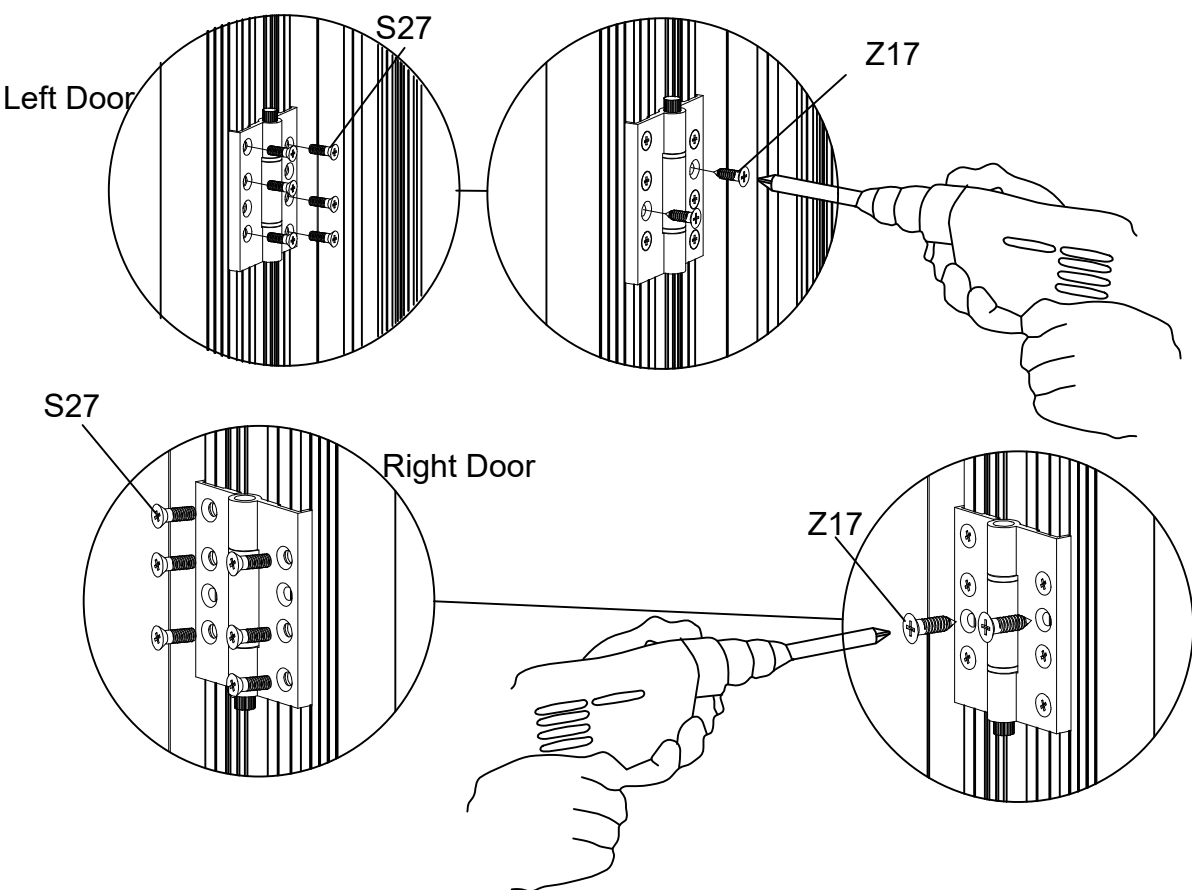
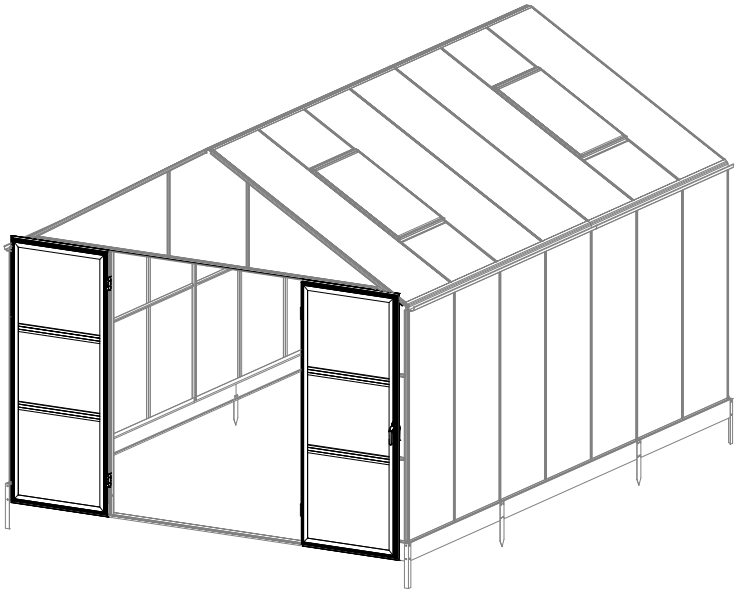


Slide 1*S01 into the bolt channel of both L09C,
fix D25 to L09C using S01 & M01.

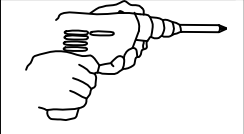


Door Assembly

PART	NO	QTY
	D00R-L	1
	D00R-R	1
	A51	4
	Z17 M4.8X16	8
	S27 M5X12	24

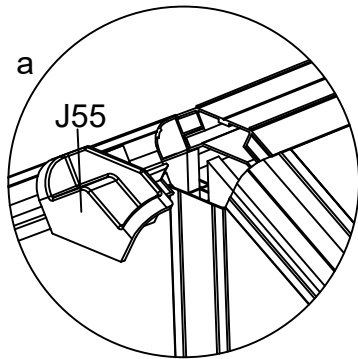
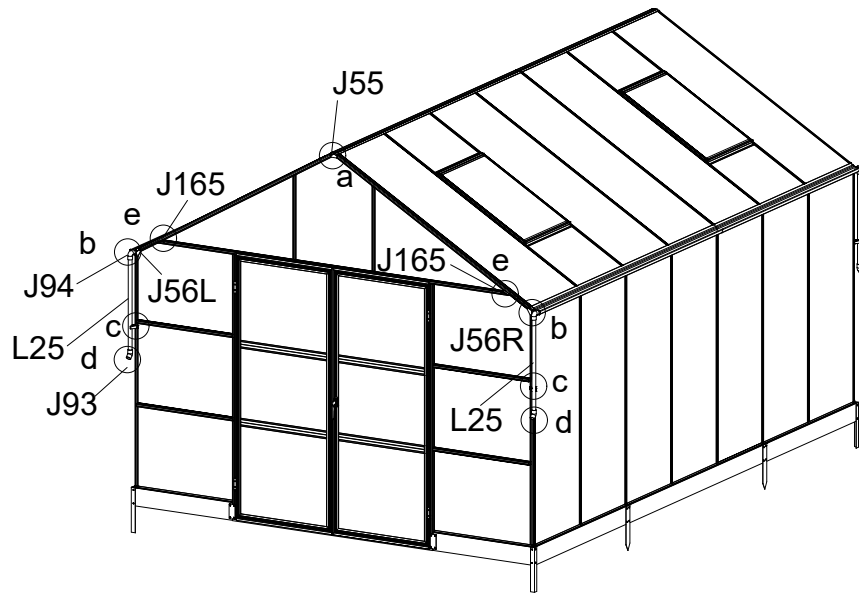


Fix A51(4 PCS) one side on the door profile and the other side to L26A/L26B using S27. Then secure with Z17.

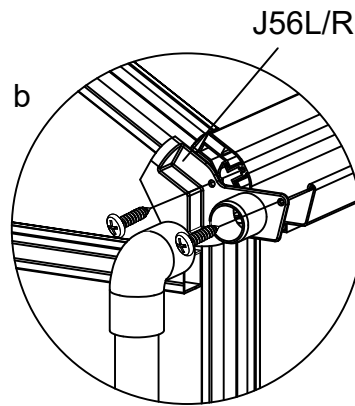


Accessories Assembly

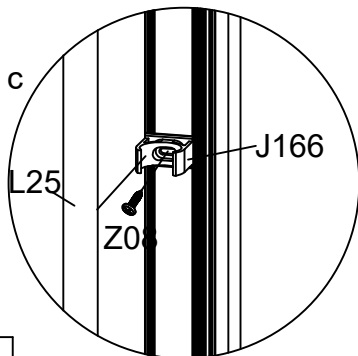
PART	NO	QTY
	J55	2
	J56R	2
	J56L	2
	J94	4
	L25	4
	J93	4
	J165	4
	J166	4
	Z08 M4.2X16	4
	Z02 Ø4X16D	8



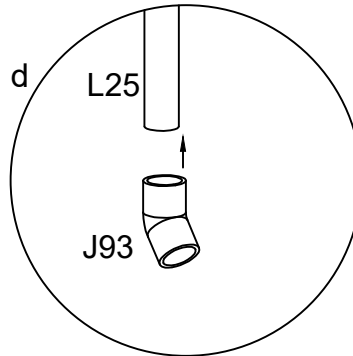
Fix the cover caps J55 into the ridge profile



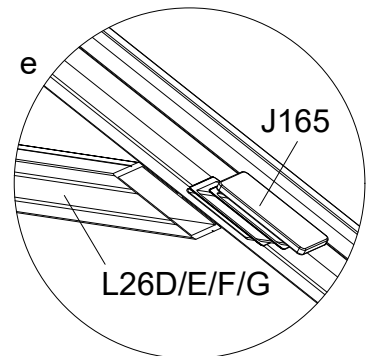
Fix the cover caps (J56L/R) carefully with Z02. Be careful to ensure that the screws are driven in straight and in the correct position (see detail drawings).



Drill a hole in L01A/L01B, approximately 3mm diameter and 400mm down from the gutter. Fix the J166 downpipe bracket with Z08 screws and then clip the L25 downpipe into the J166 bracket.



If you wish to eliminate leaks, use glue when fixing the downpipe bends (not provided).



Cover both ends of L26D/E/F/G with cap J165

