

# Greenhouse 8'x10'ft Assembly Instructions

## AS290-2C

Size: 294Lx240Wx227H cm

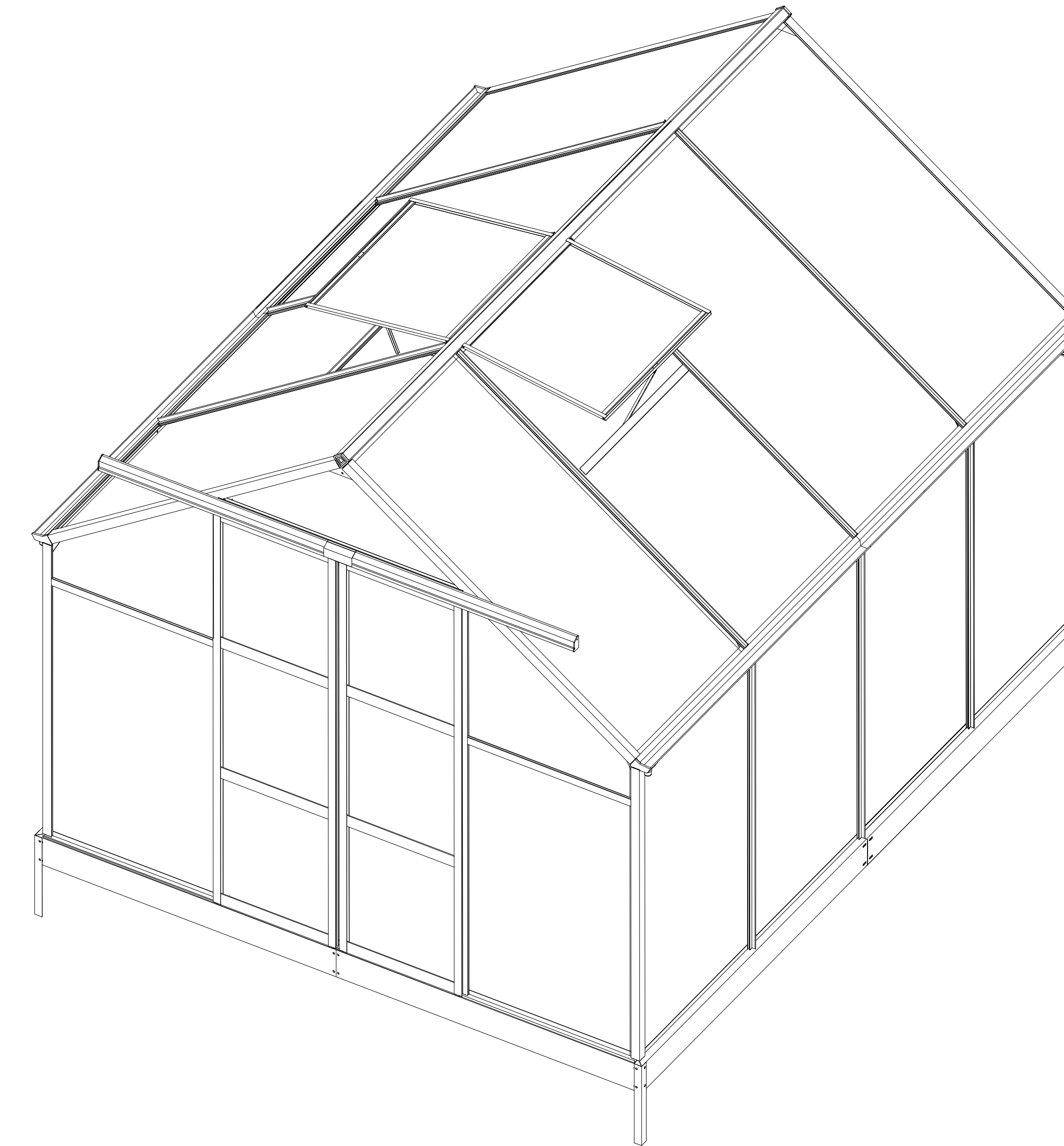
SKU: 100704004A

SKU: 100704005A

SKU: 100704006A

E-mail address: [support@wepatio.com](mailto:support@wepatio.com)

Tel: 901-347-2181



### **IMPORTANT**

You must read these instructions carefully before you start to assemble this greenhouse. Please ensure that you find all parts in the carton box in the correct type and quantity as mentioned in the list illustrated in every page accordingly.

Please carry out the steps in the order set out in these instructions.

Do not tighten the steps in the greenhouse until completing on the assembly of the poly carbon ate panels.

Keep these instructions in a safe place for future reference.

**Revision Date: 2023-09-14**



## SAFETY ADVICE

We strongly recommend the use of work gloves during assembly.  
Do not attempt to assemble the greenhouse in windy or wet conditions,  
Do not touch overhead power cables with the aluminum profiles.  
Always wear shoes and safety goggles when working with extruded aluminum.  
Dispose of all plastic bags safely-keep them out of reach of small children.  
The greenhouse must be positioned and fixed on a flat level surface.  
Do not lean against or push the greenhouse during construction.  
Keep children away from the assemble area.  
Do not position your greenhouse in an area exposed to excessive wind.  
Do not attempt to assemble this greenhouse if you are tired ,have taken drugs or alcohol  
or if you are prone to dizzy spells.  
If using a step ladder or power tools ensure that you follow the manufactures safety advice.  
Hot items such as recently used grills, blowtorches etc.must not be stores in the greenhouse.  
Ensure there are no hidden pipes or cables in the ground before inserting the pegs.

## GENERAL ADVICE

This is a multi-part assembly, Allow at least 360 minutes for assembly.  
Selecting a site-choose a sunny level position away from overhanging trees.  
If you are fixing your greenhouse directly to a solid concrete foundation use the pre drilled  
holes in the metal base supplied.  
The component parts should be checked and laid out close at hand.  
Keep all small parts (screws etc)in a bowl so they do not get lost.  
Note that the door is hinged on the right hand side and therefore opens tothe right.  
Keep roof clear of snow and leaves.

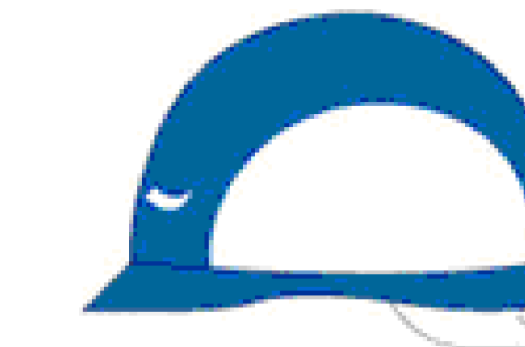
## CARE & MAINTENANCE

When your greenhouse needs cleaning, use a mild detergent solution and risen  
with cols clean water.  
Do NOT use acetone, abrasive cleaners or other special detergents to clean the  
clear panels.

## TOOLS & EQUIPMENT REQUIRED

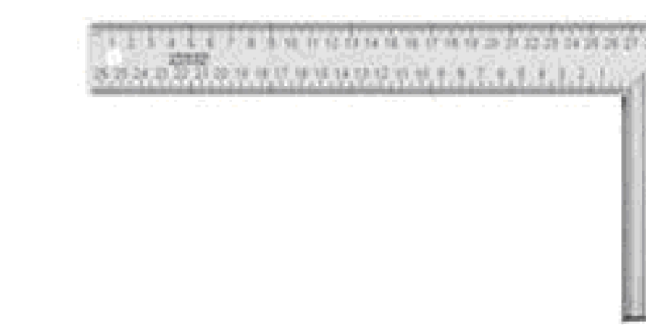
Protective Equipment:

- 1.Helmet
- 2.Glove
- 3.Long Sleeve Cotton Overalls
- 4.Emergency Medicine Cabinet
- 5.Eye Shield



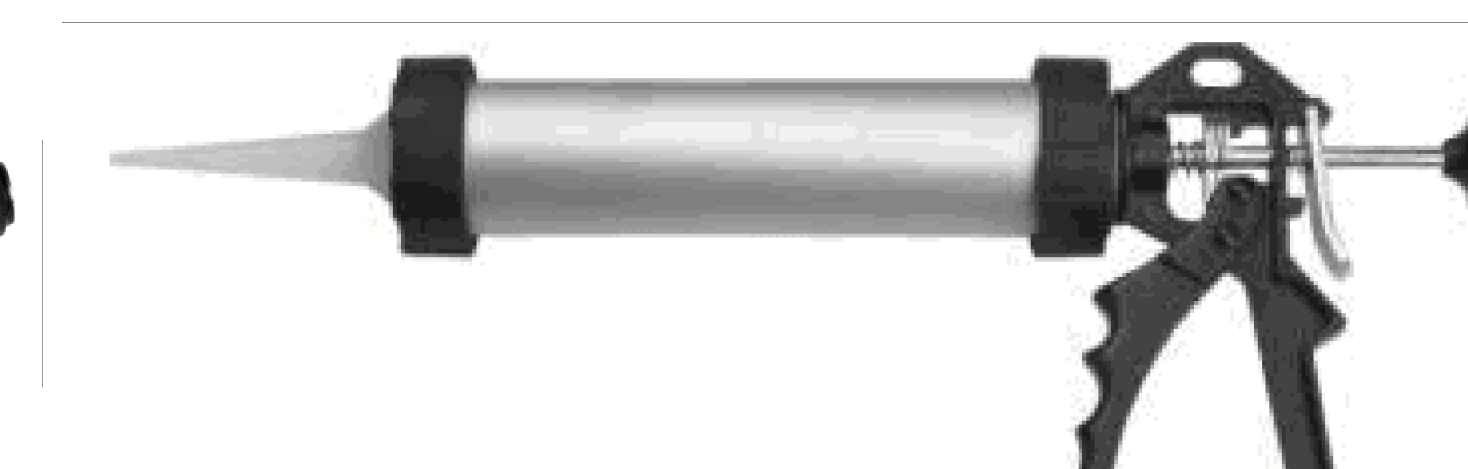
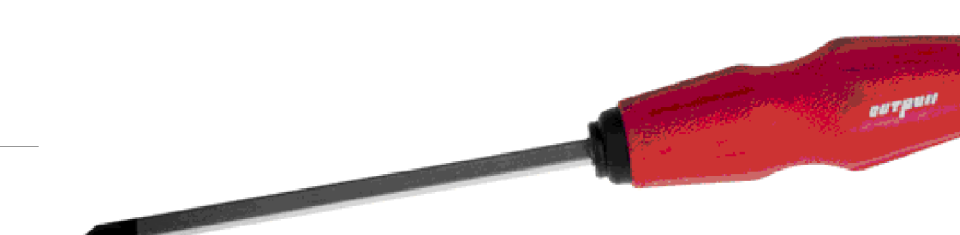
Measure (metric):

- 1.The Tape (5 m)
- 2.Angle Square
- 3.Level Meter



Installation Tool:

1. Triangle Stairs≈1.5m Height
2. Spanner 10mm (Ratchet Wrench is better)
3. Electric screwdriver+10mm hex bolt sleeve(suggest)
4. Wooden Mallet
5. Marking Pen
6. Silicon
7. Knife
8. Phillips screwdriver



Silicon



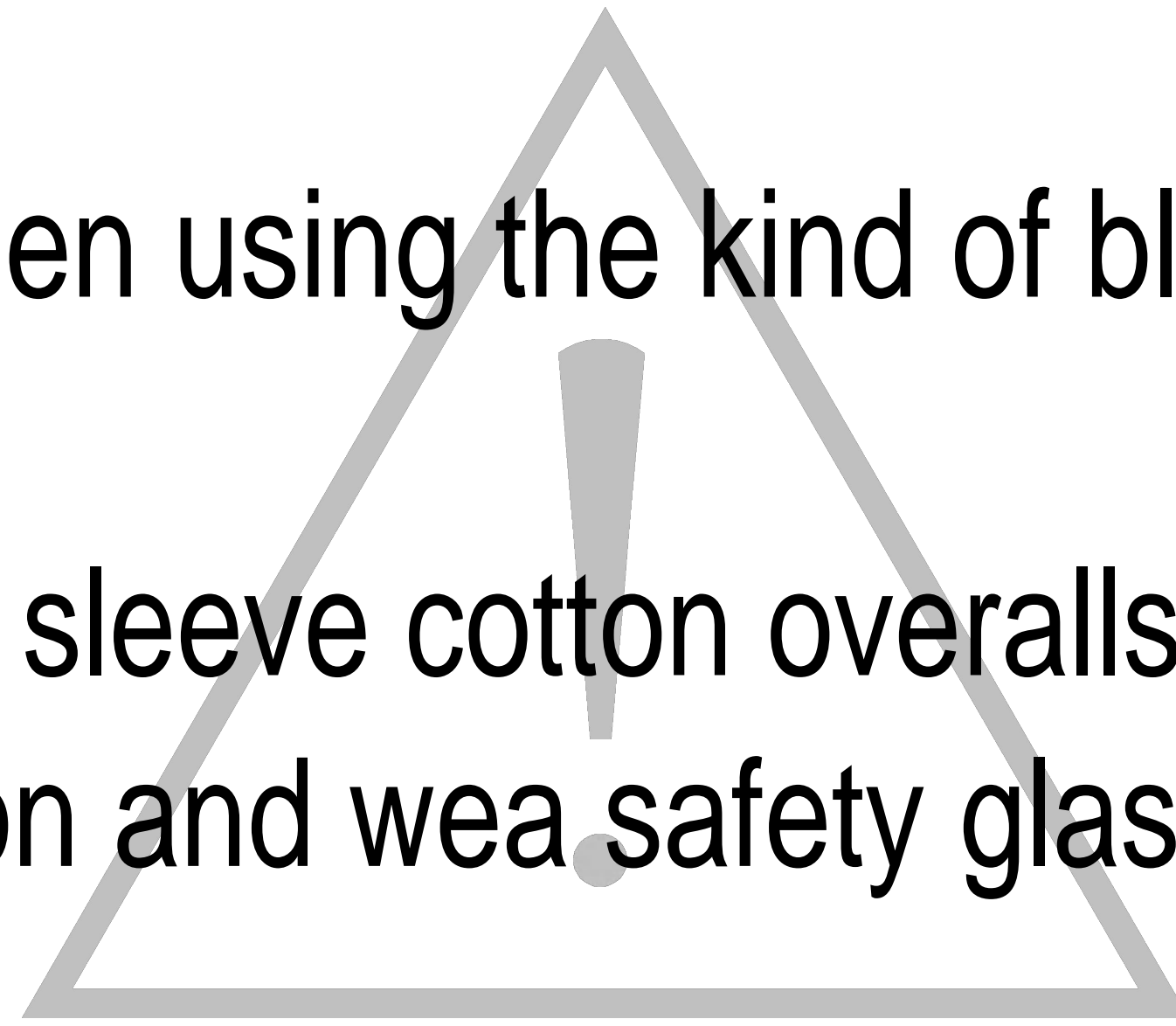
## PRODUCT SIZE

Firstly, make sure a good installation location.

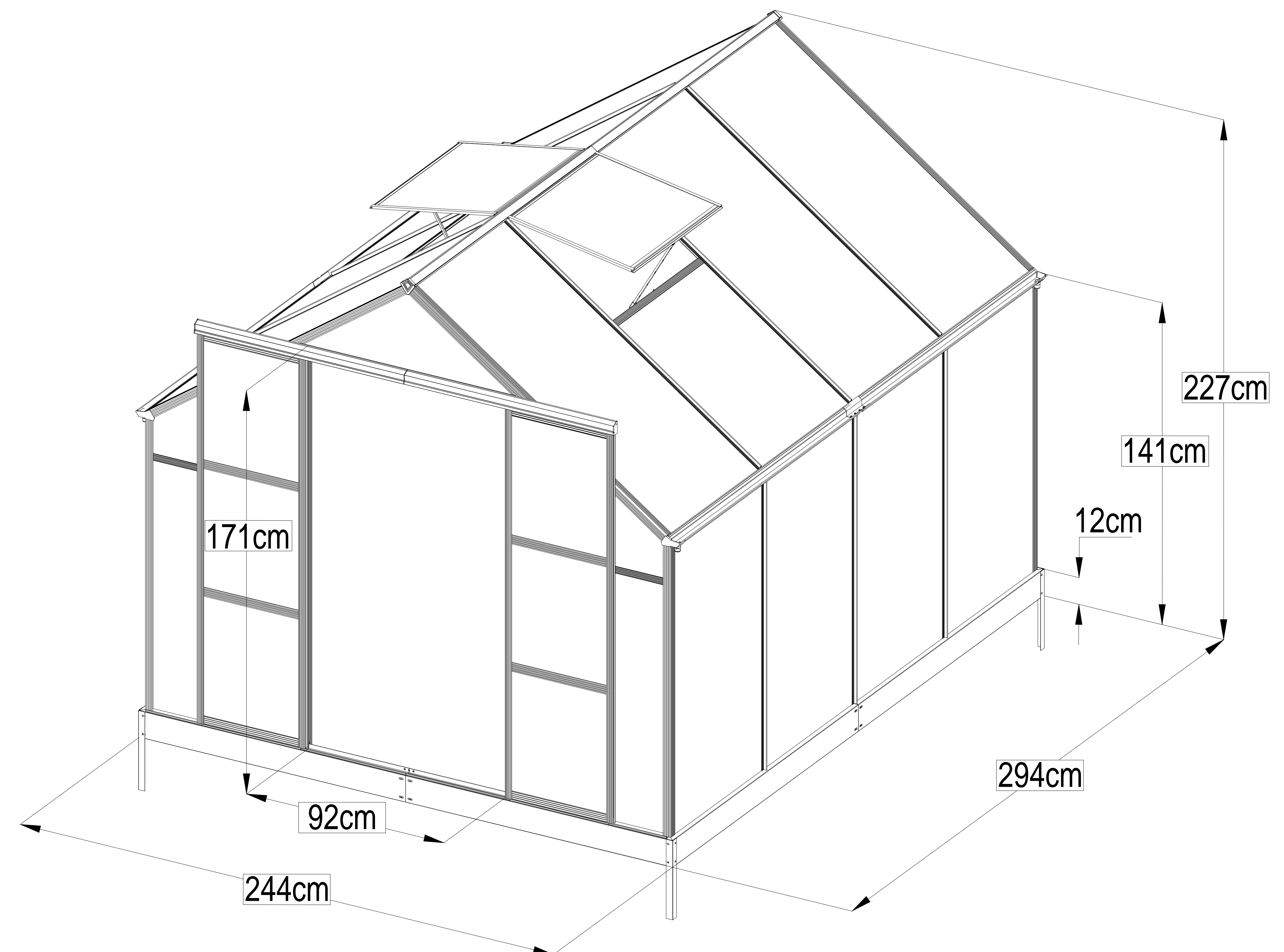
Find a flat ground which is 2 times bigger than the Green house before installation.

## OTHER CAUTIONS

1. 3-4 people required, one is for measuring & taking marks to ensure the installation dimension, the second person is responsible for the installation and the last one do as assistant and assure the safety.
2. High-power electric tools are required, ensure the normal work of them and highly pay attention to electric safety.
3. Be careful when using the kind of blunt tools, like hammer.
4. Wearing long sleeve cotton overalls, gloves and helmet during installation and wear safety glasses when using power tools.
5. No up watching when working height, or the drop screws may hurt your eyes and suffocation causing accidentally when fall into your mouth.
6. No climbing, No standing on the tent to avoid falling down.
7. If injured, please rush him/her to a nearby hospital

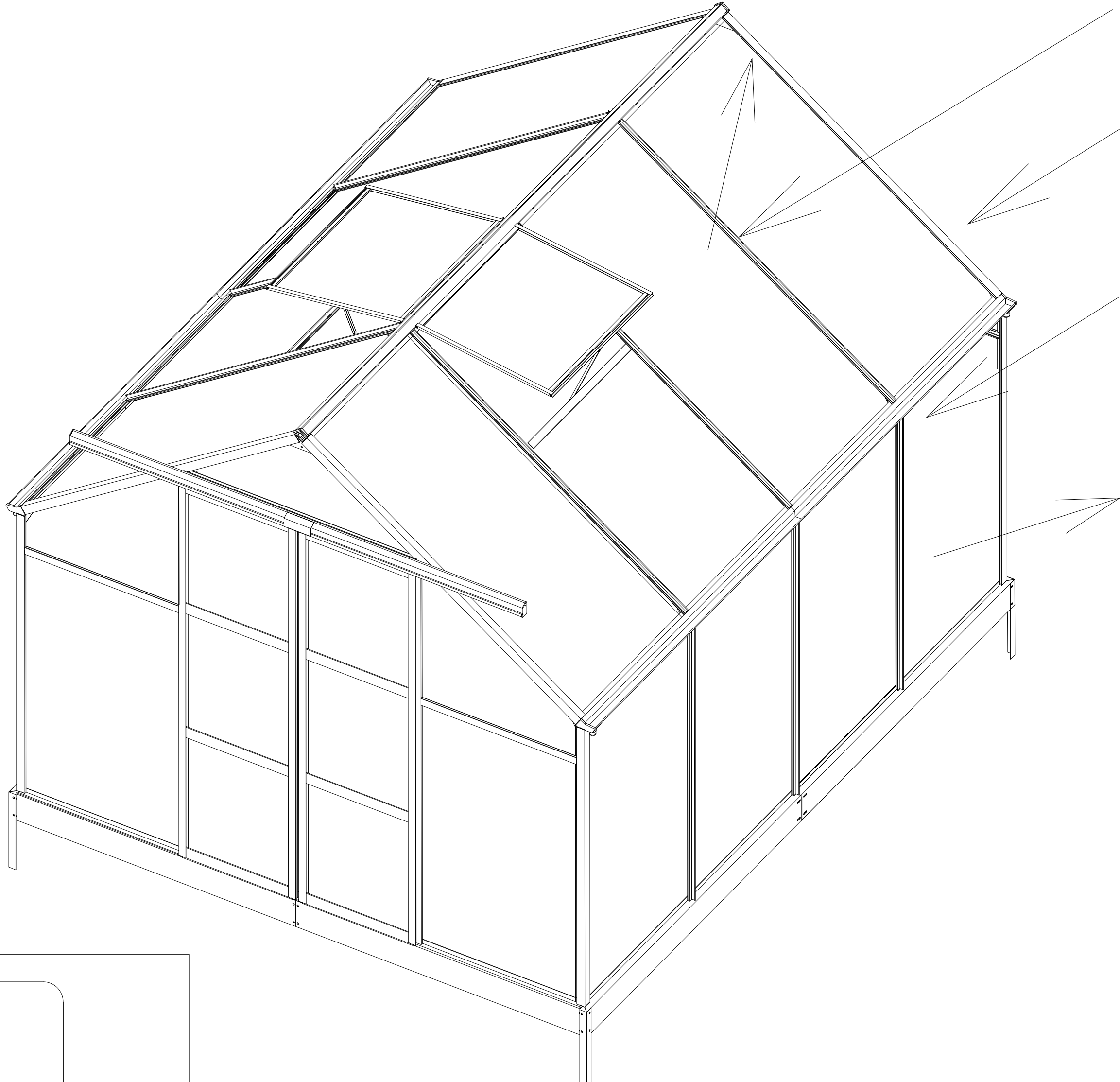
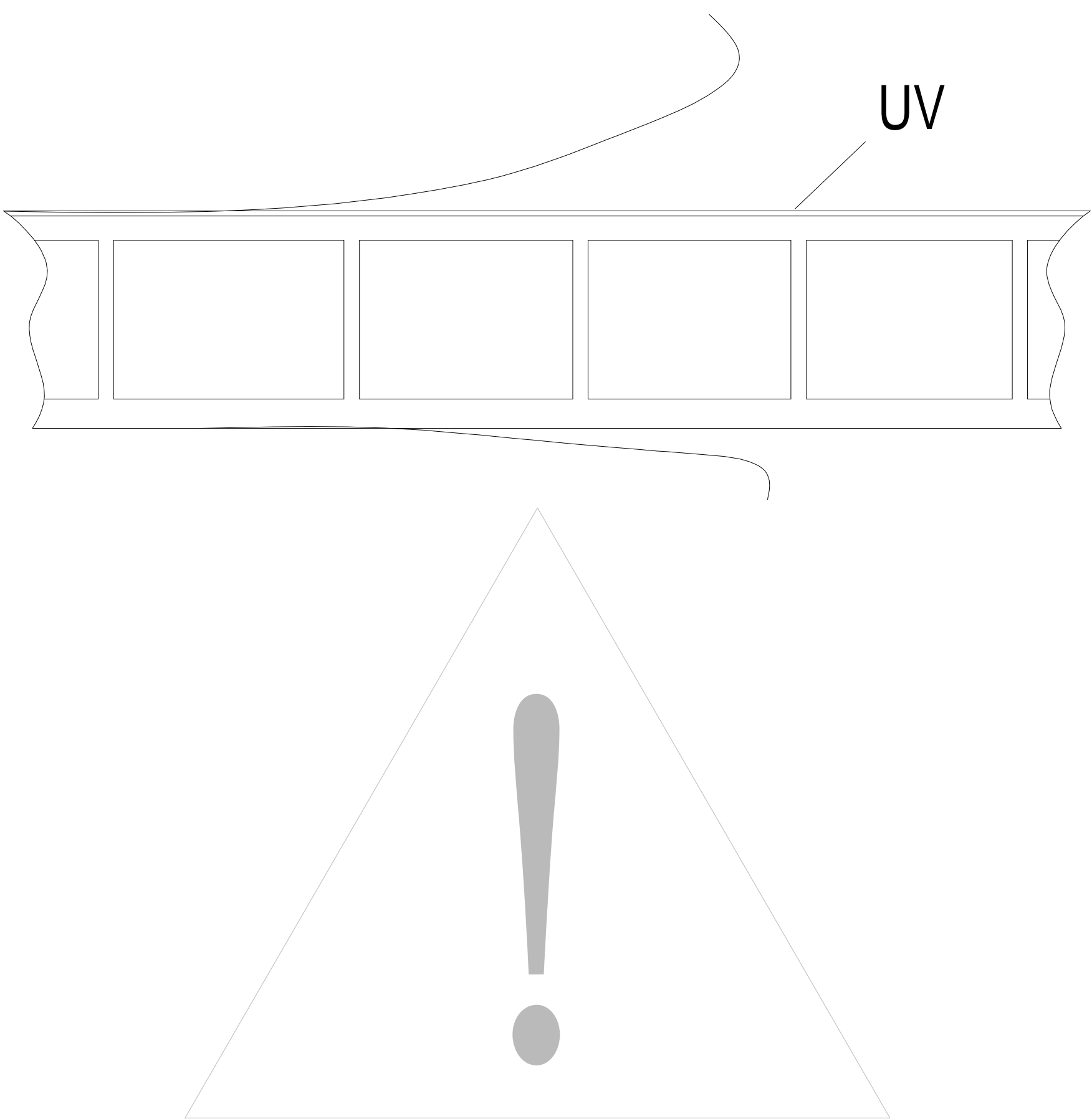


## AS290-2C

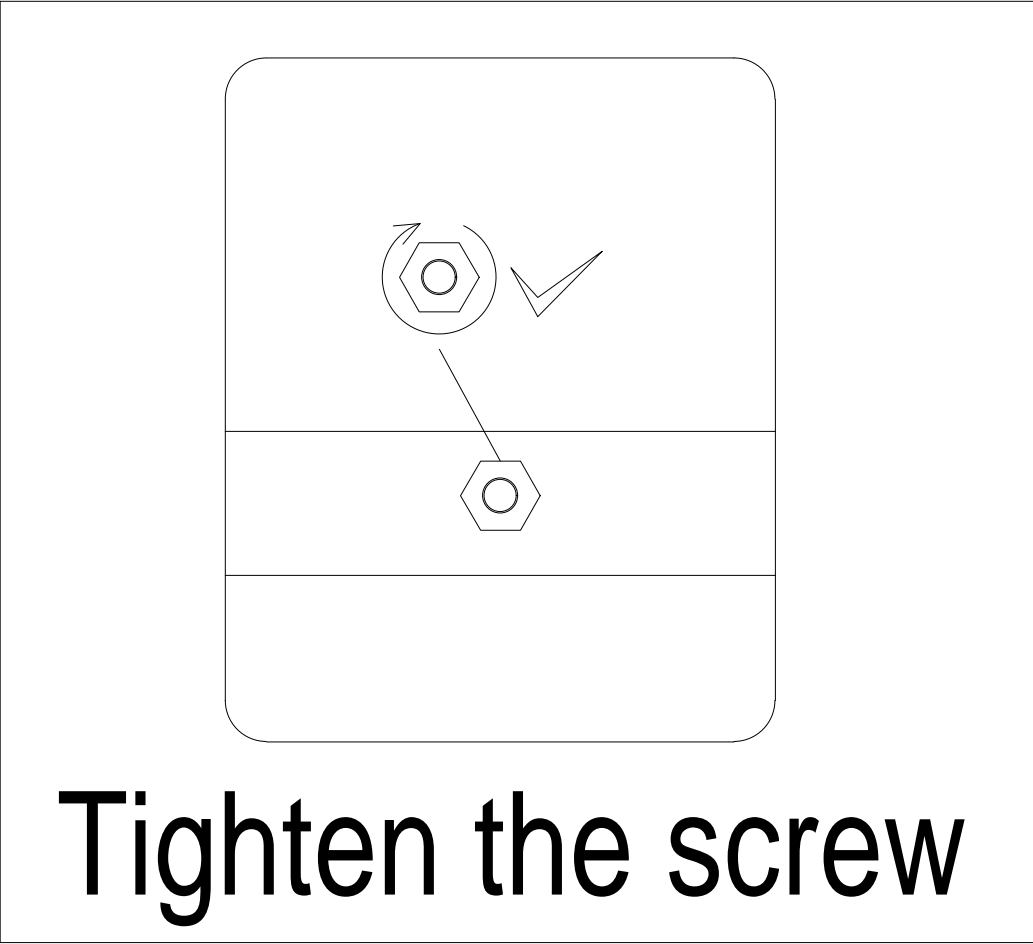
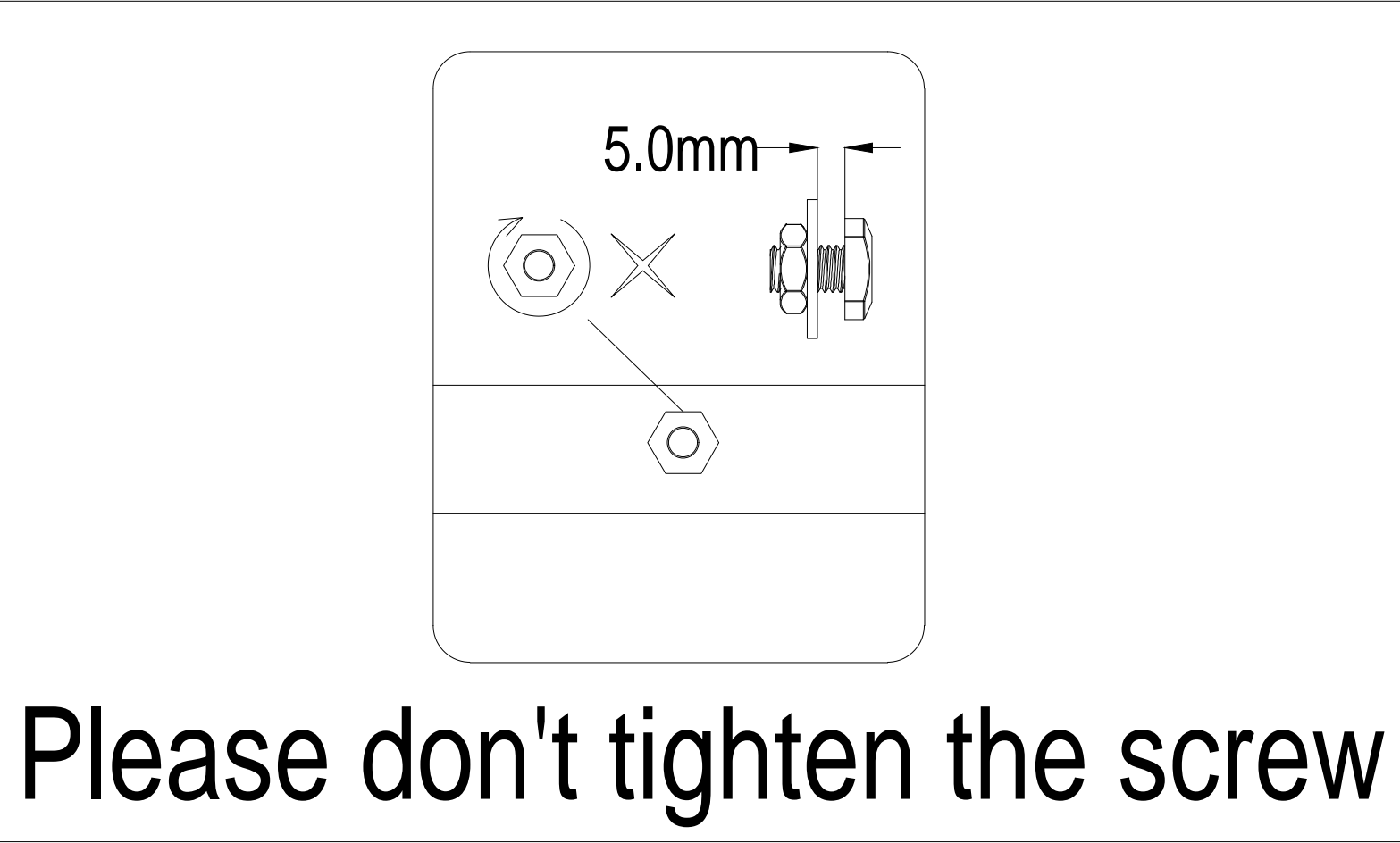


# Towards the white film side to the sun as it is UV-protected.

Before you assemble this accessory, please pre-install screws to this accessory and the quantity for pre-install's screw, please refer to the details of each page's figure show.

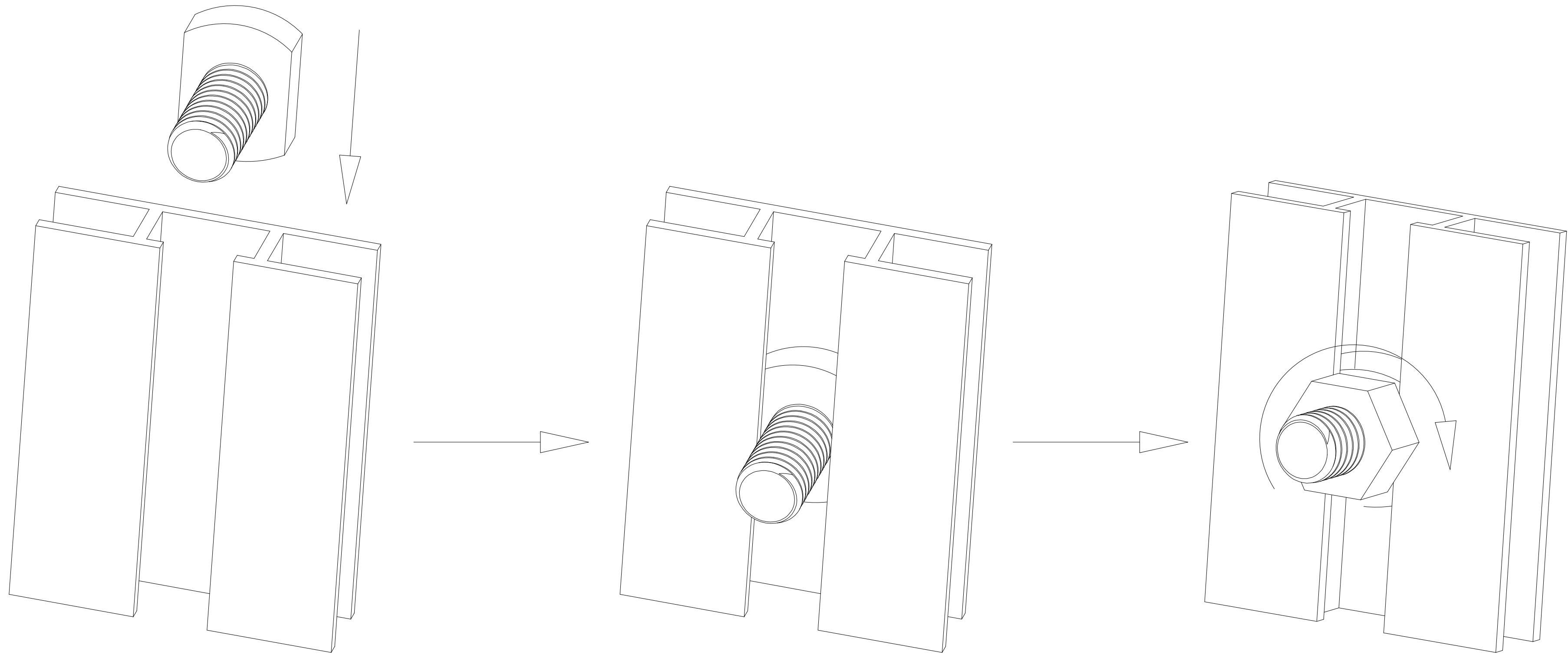


Pre-install	Page No.
	No.21 No.36 No.48
	No.23 No.38 No.50
	No.29 No.39 No.58
	No.31 No.42 No.59
	No.33 No.44 No.63



## "hexagonal screw" installation

Place the "hexagonal screw" into the groove, turn clockwise until it stops turning.  
 Adjust the "hexagonal screw" by hand and twist so threads fix it in place.  
 Place other parts on "hexagonal screw" and assemble nut.

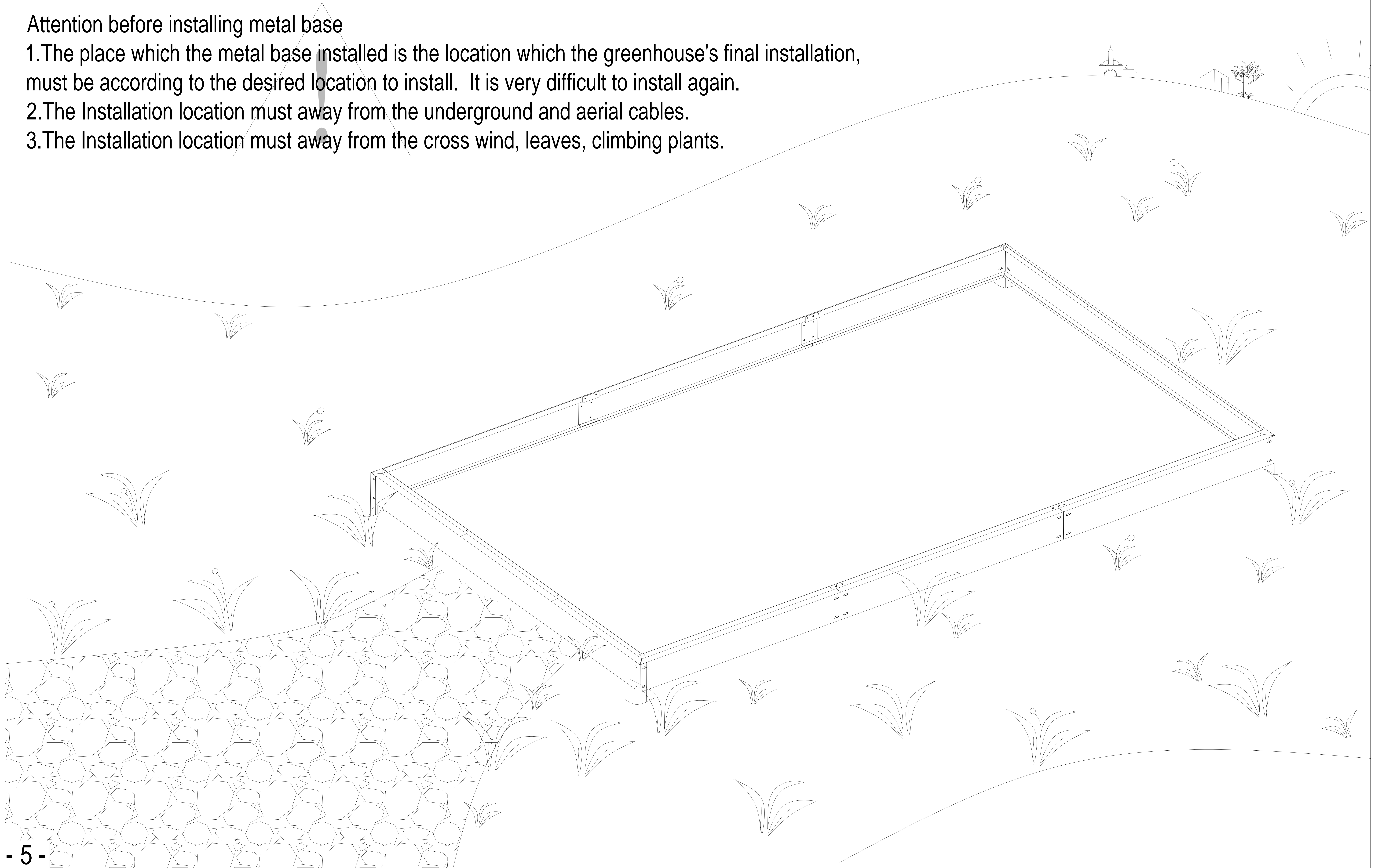




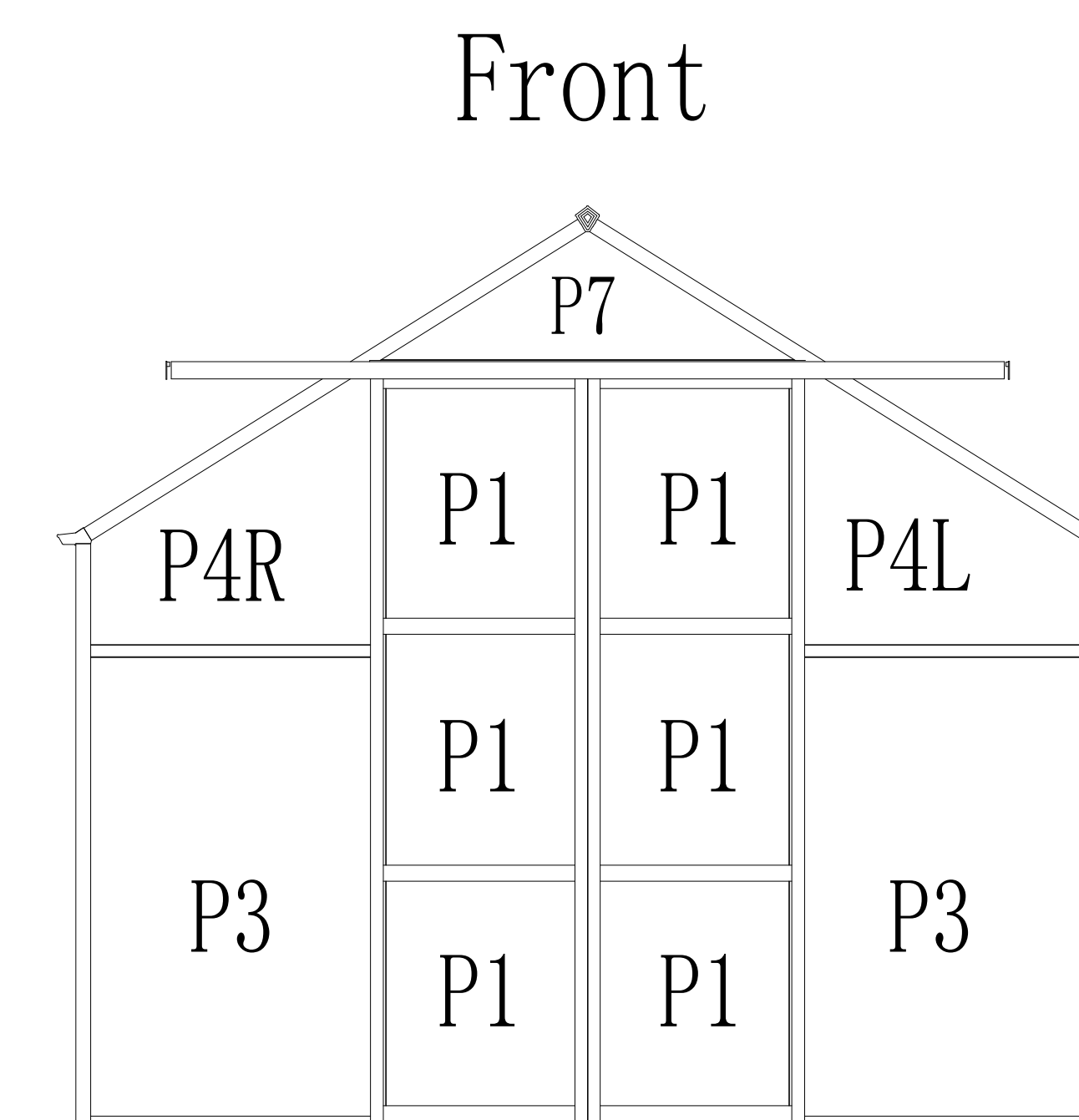
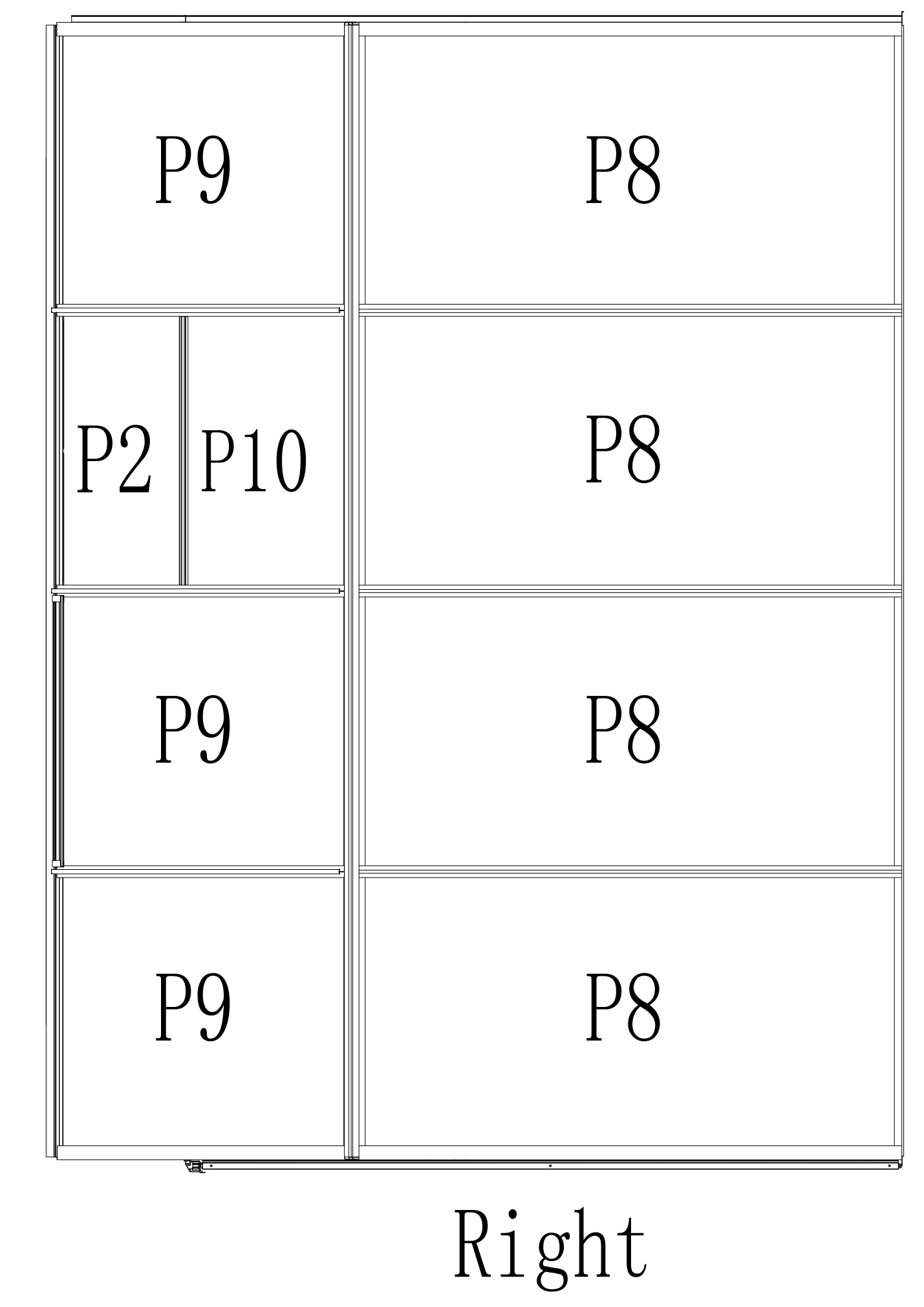
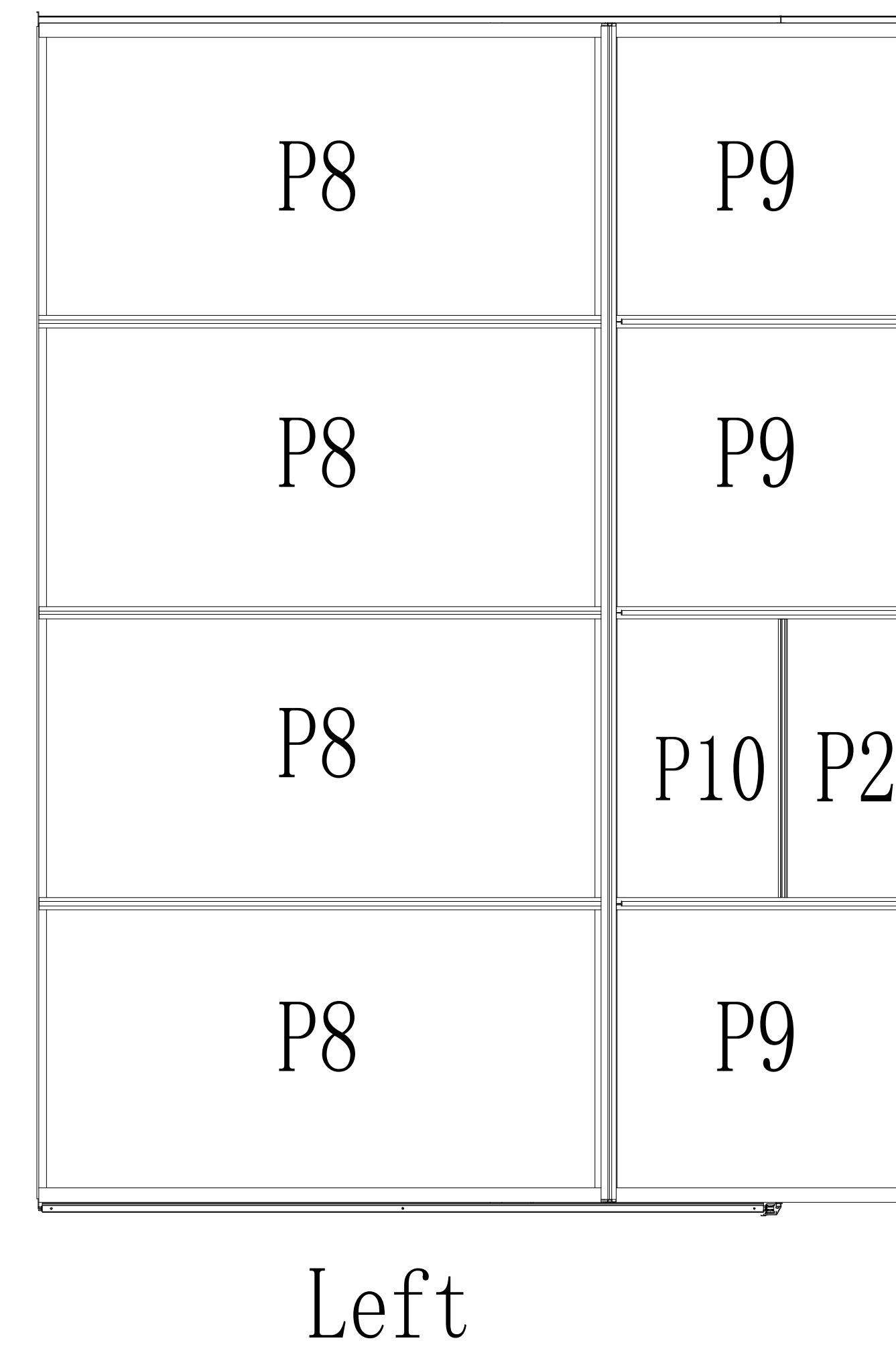
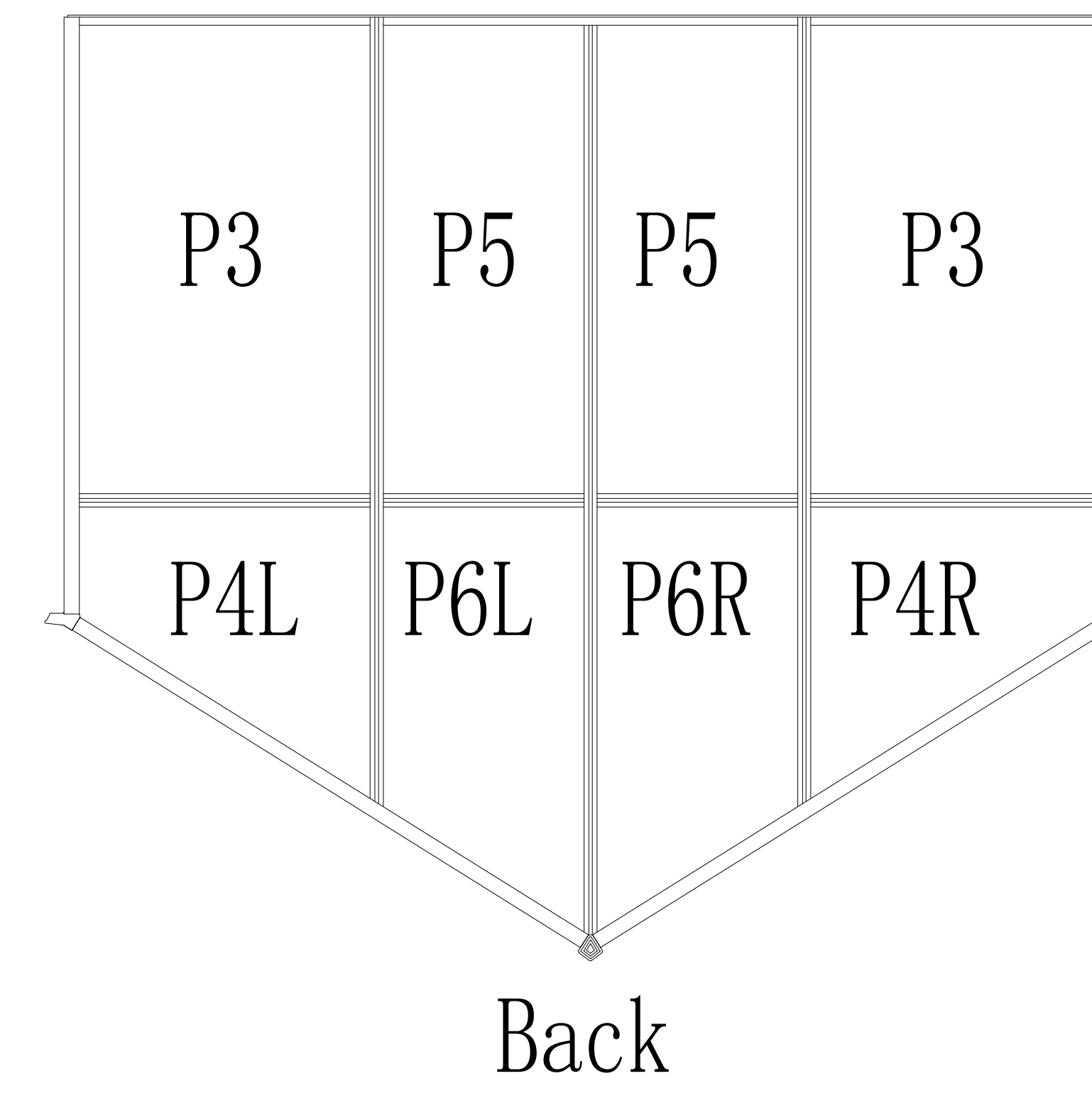
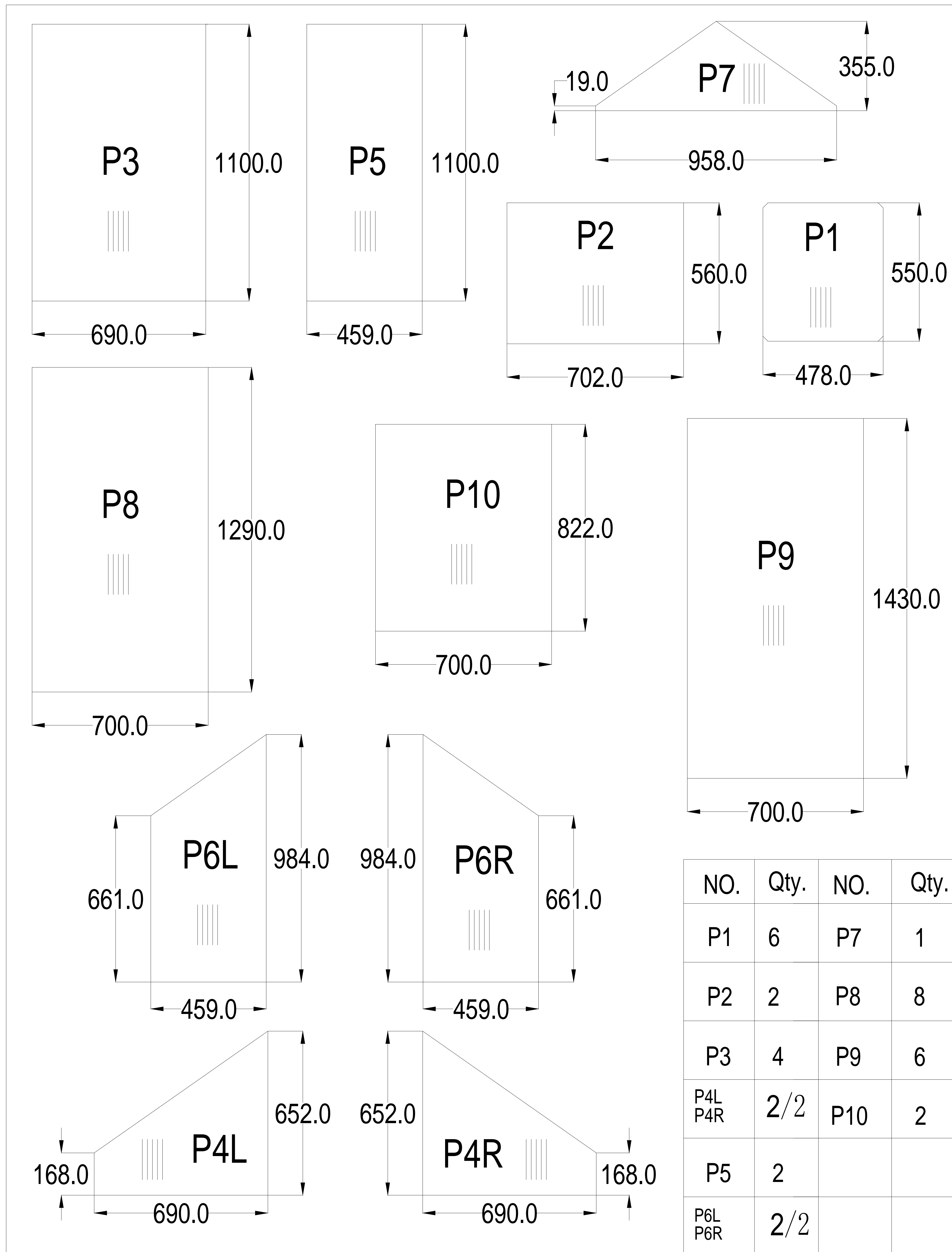
# BASE

## Attention before installing metal base

- 1.The place which the metal base installed is the location which the greenhouse's final installation, must be according to the desired location to install. It is very difficult to install again.
- 2.The Installation location must away from the underground and aerial cables.
- 3.The Installation location must away from the cross wind, leaves, climbing plants.



# SUMMARY STATEMENT FOR POLYCARBONATE PANEL



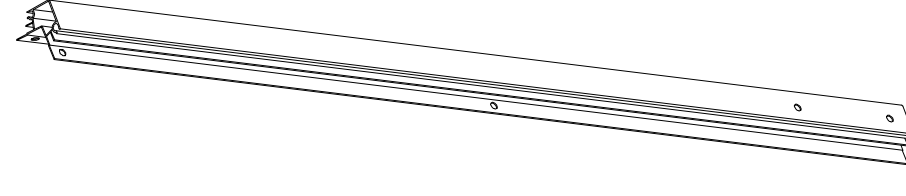
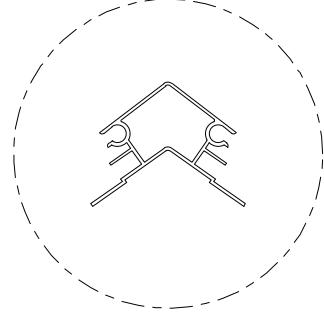
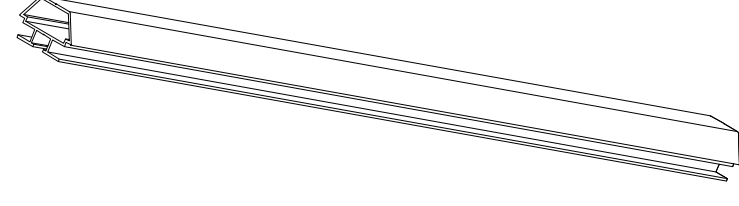
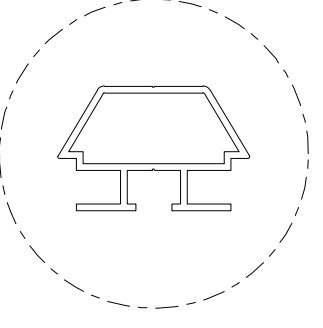
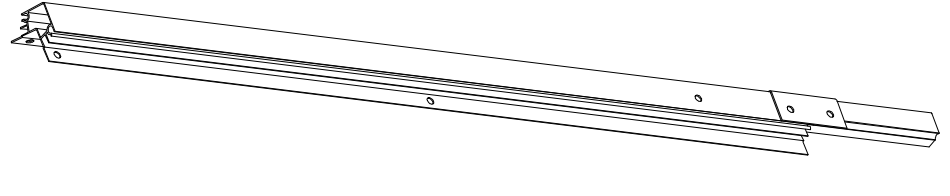
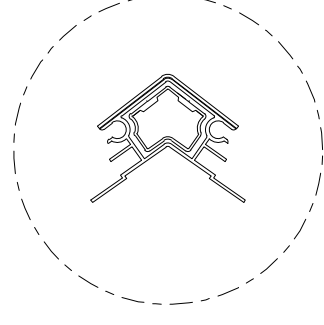
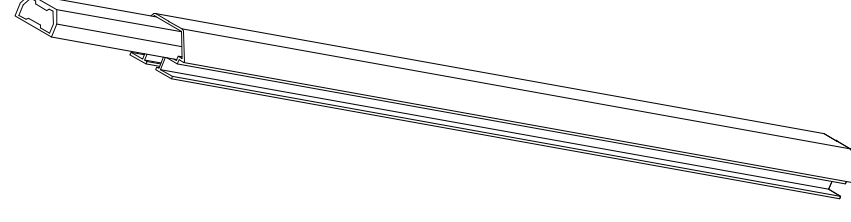
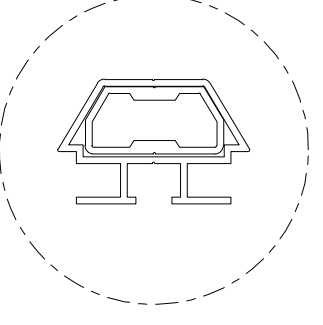
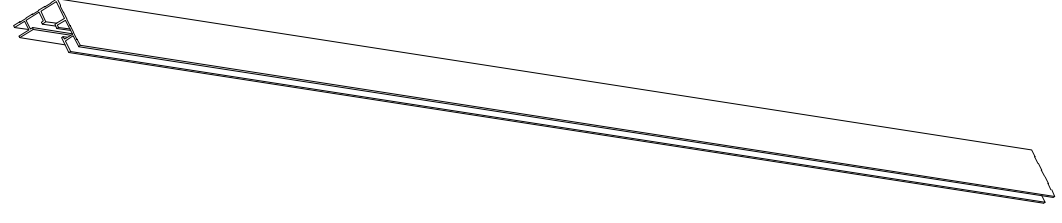
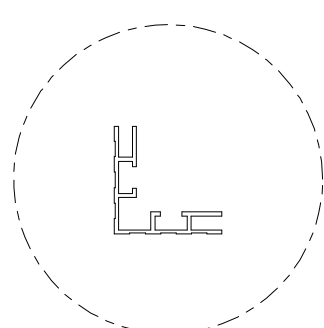
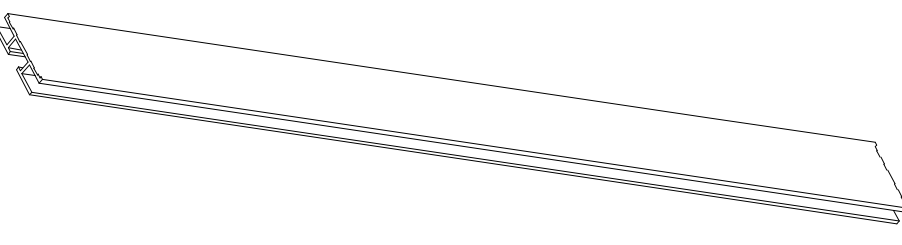
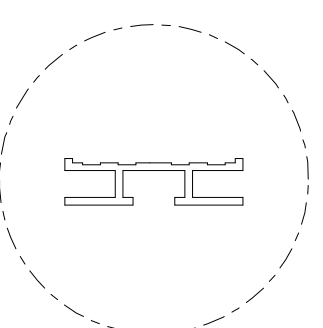
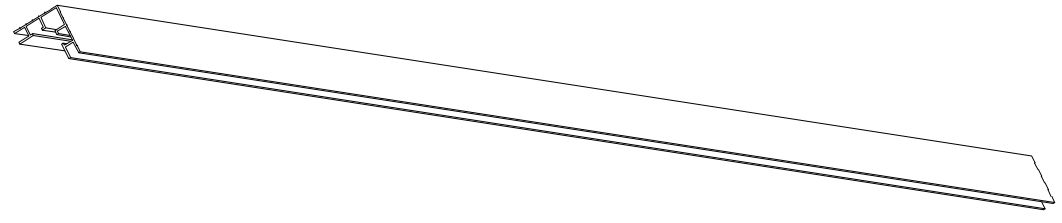
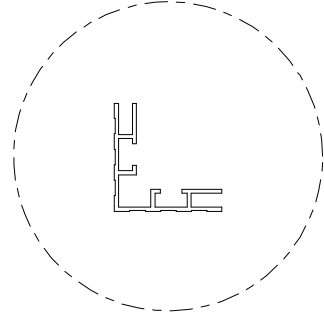
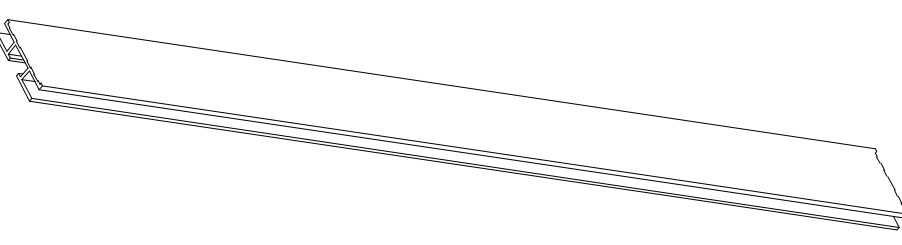
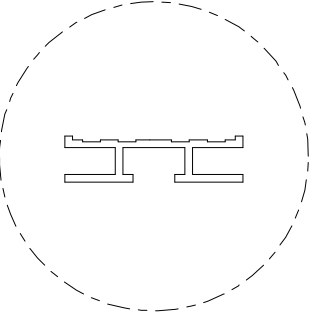
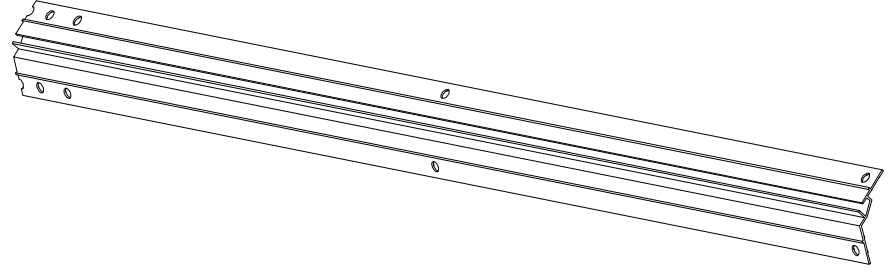
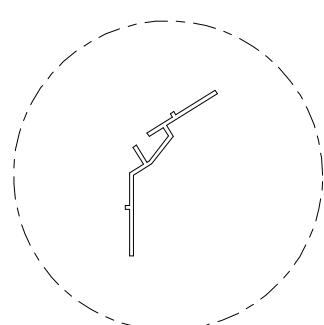
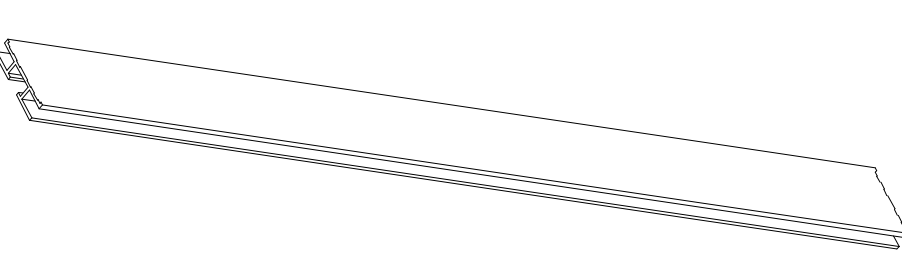
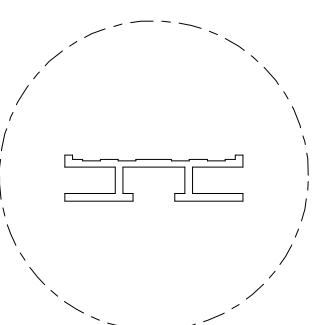
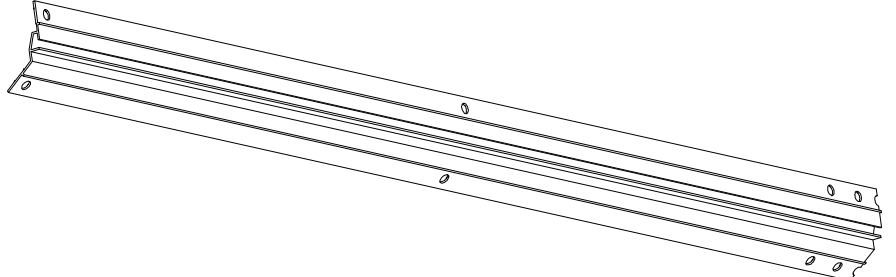
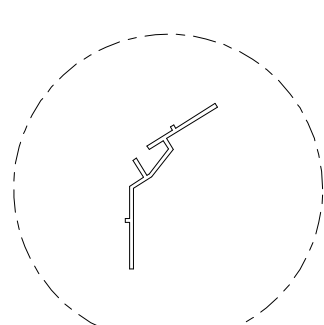
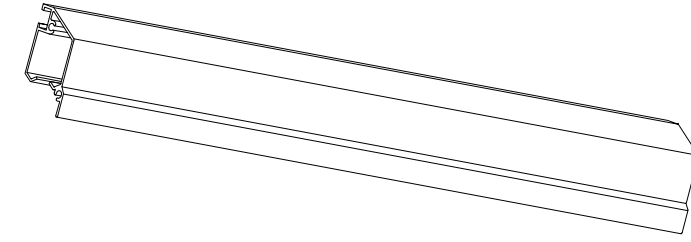
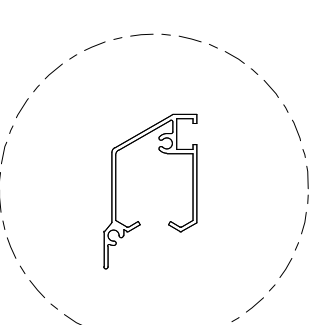
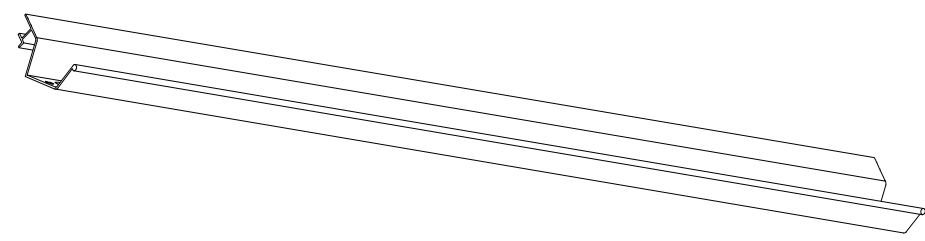
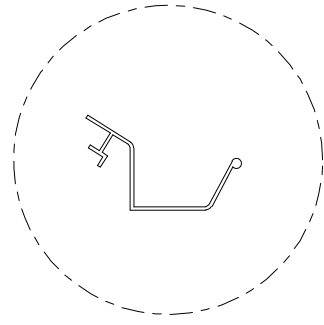
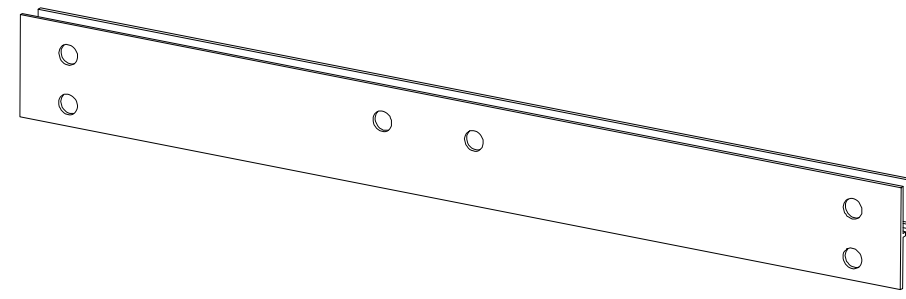
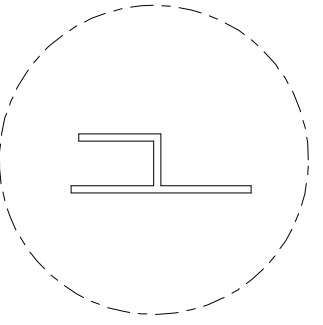
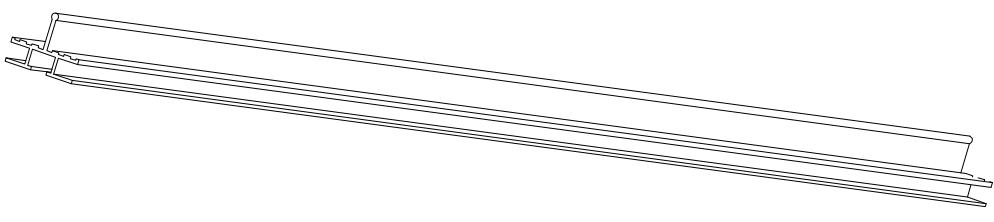
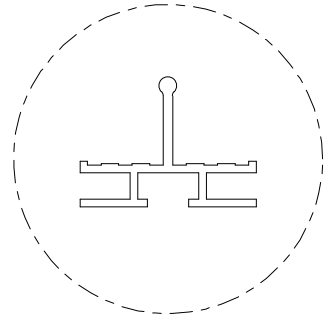
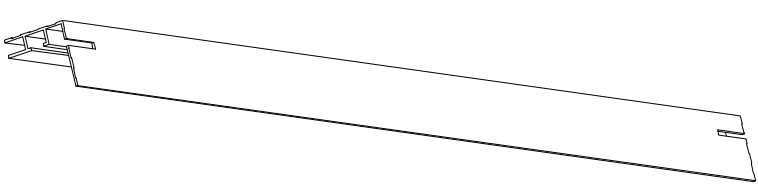
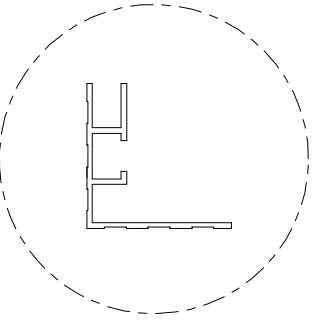
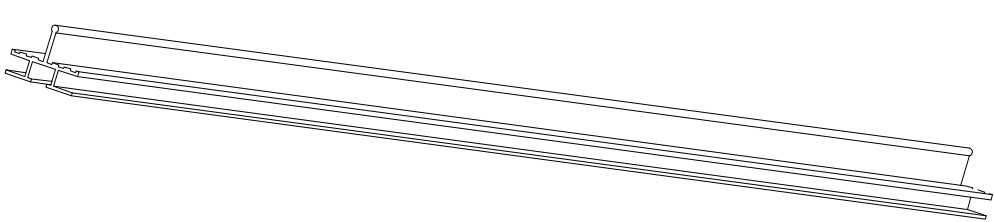
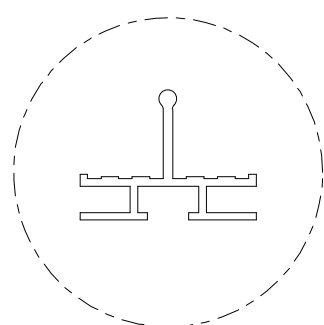
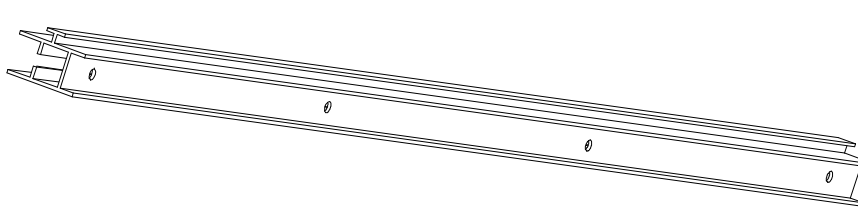
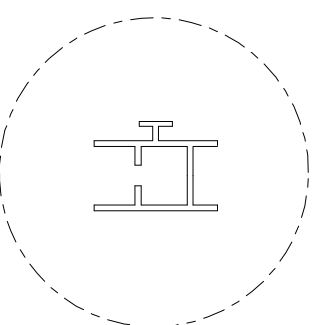
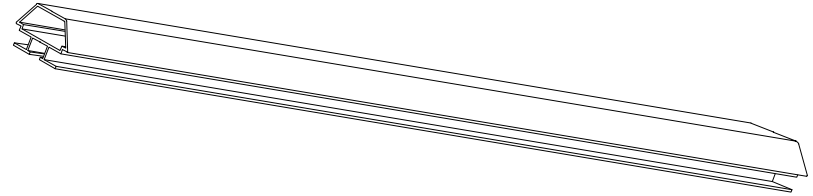
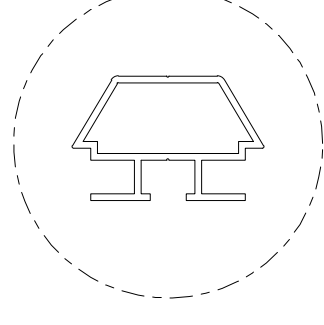
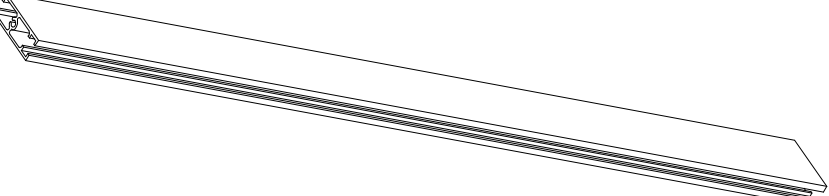
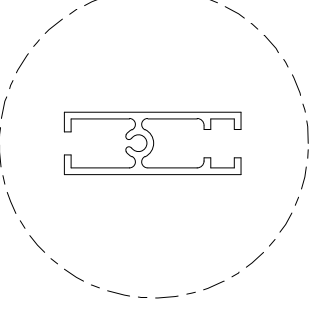
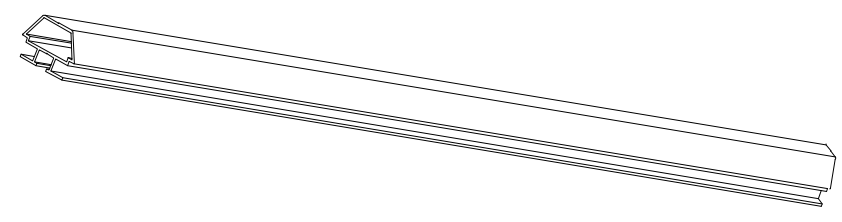
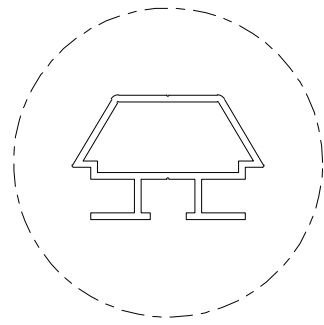
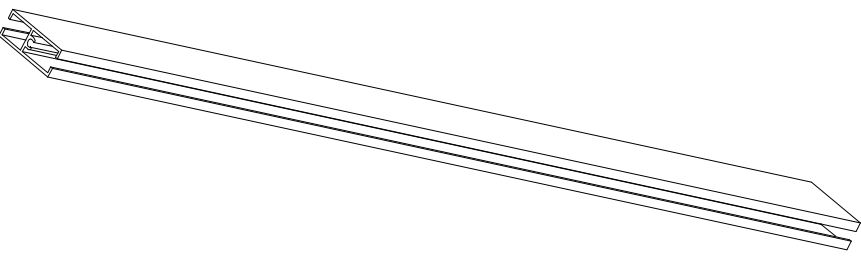
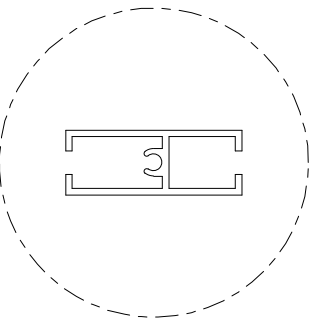
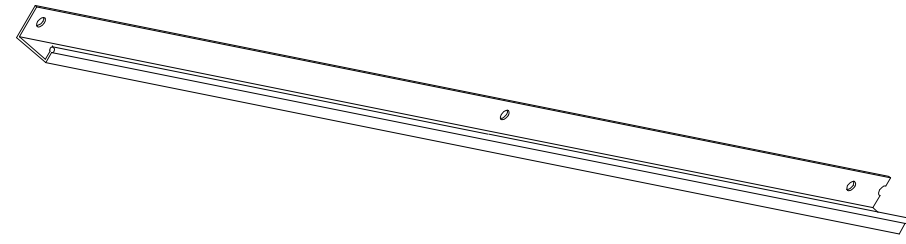
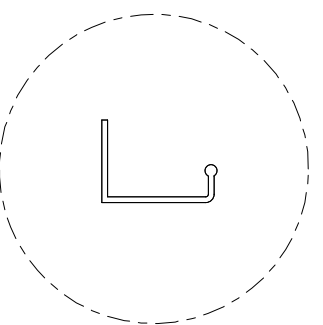
The UV-protected side of the sheet is covered with transparent film and must face towards the sun.



# CONTENTS

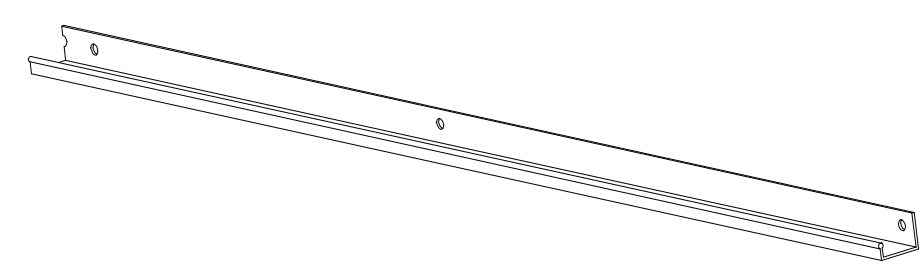
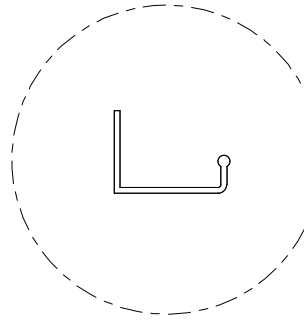
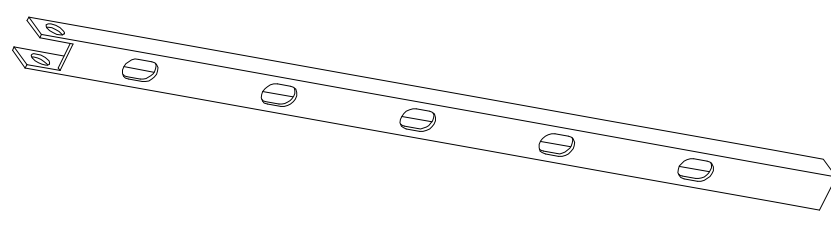
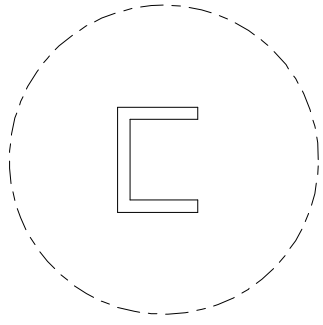
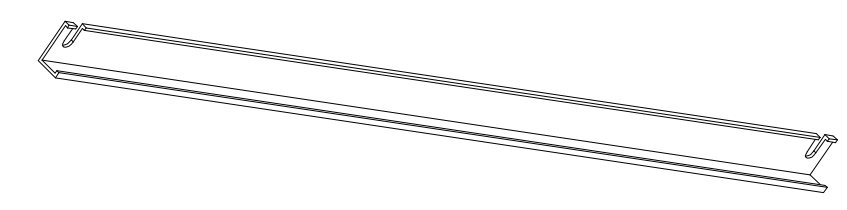
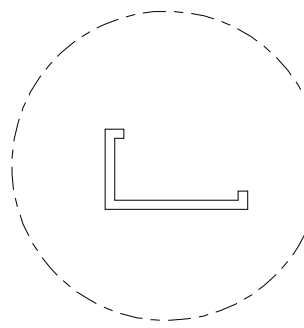
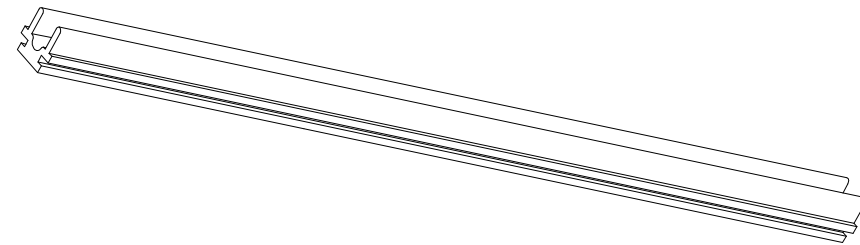
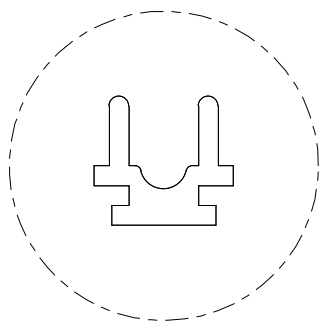
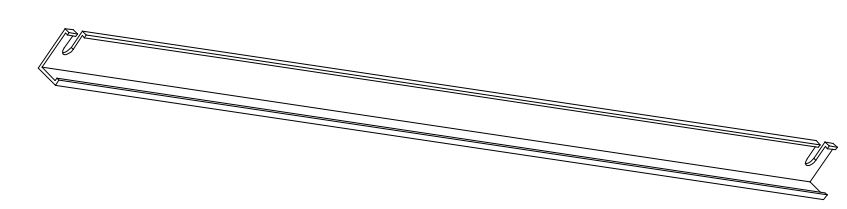
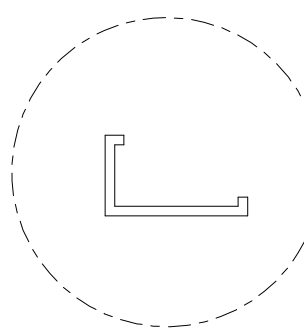
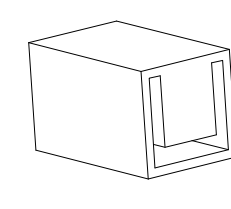
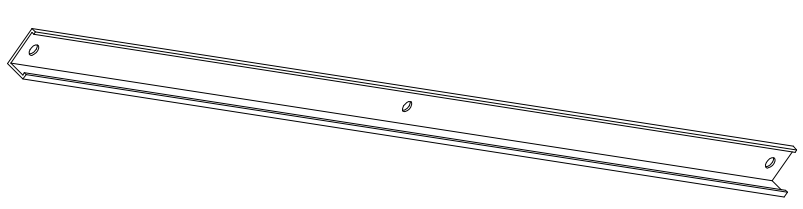
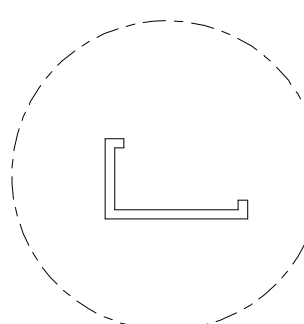
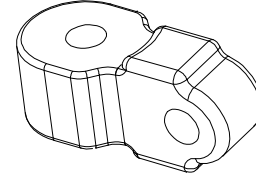
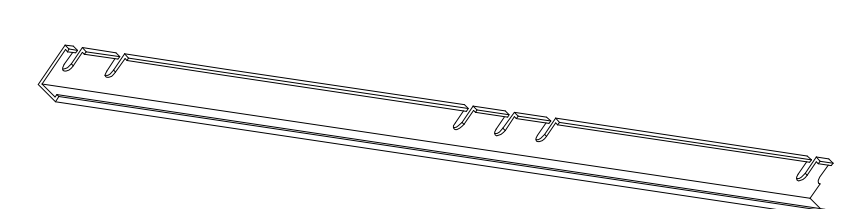
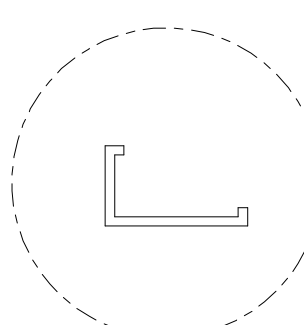
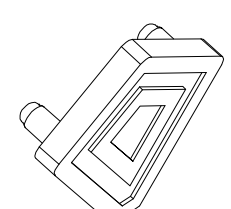
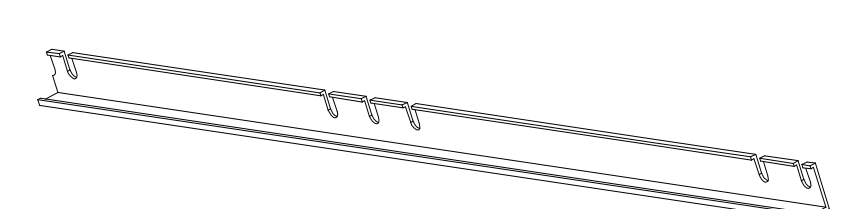
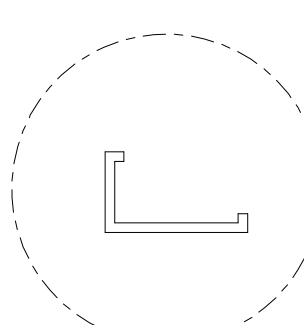
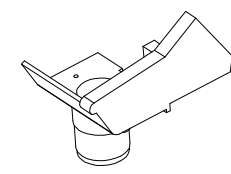
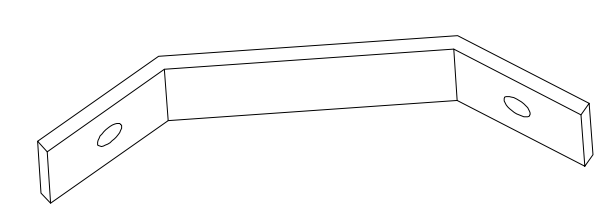
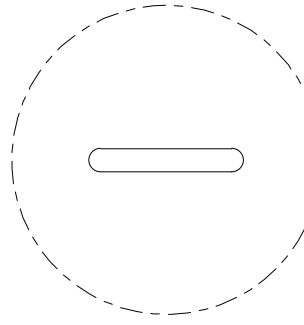
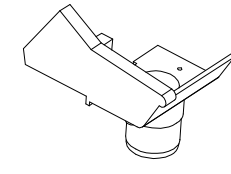
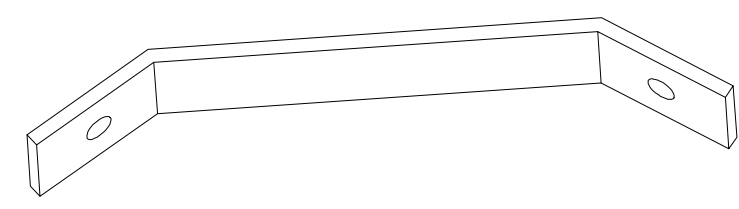
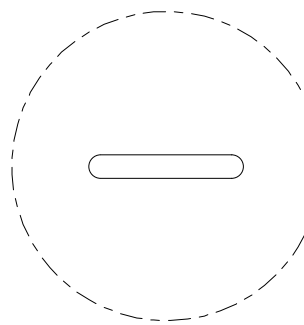
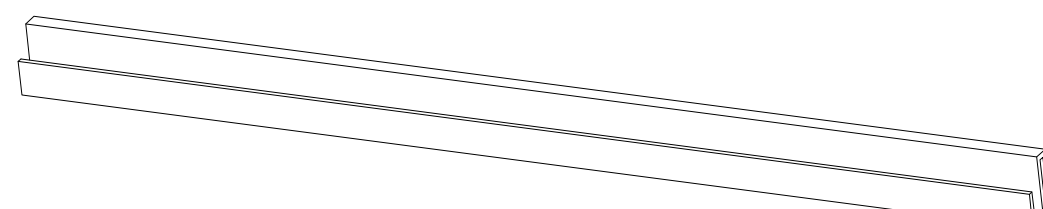
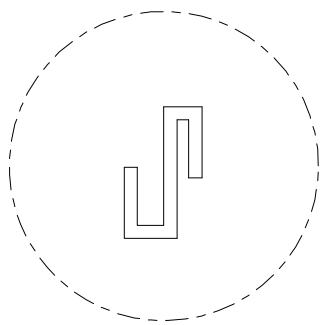
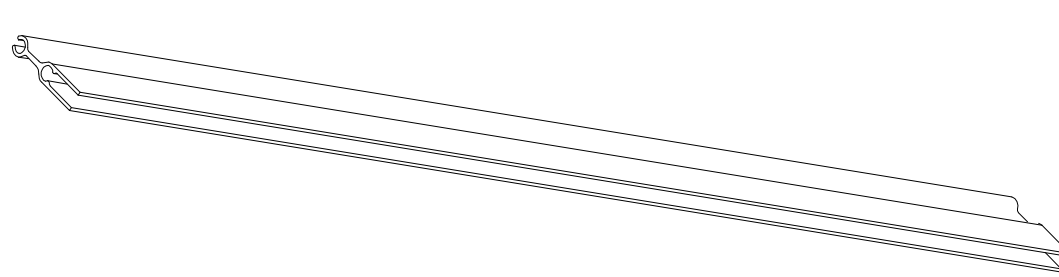
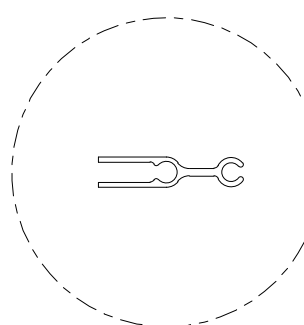
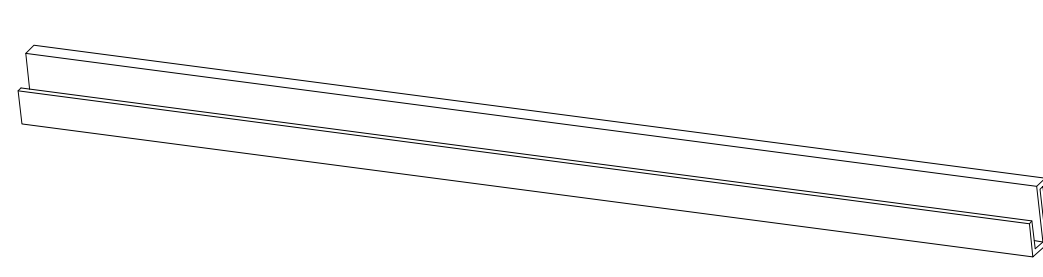
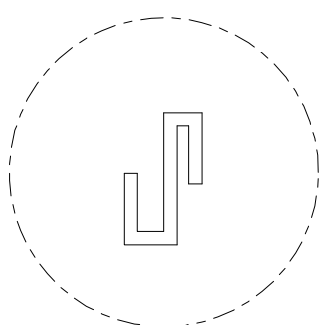
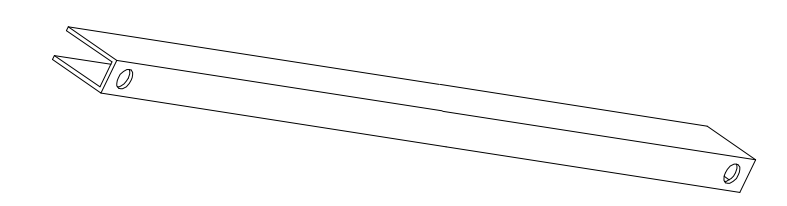
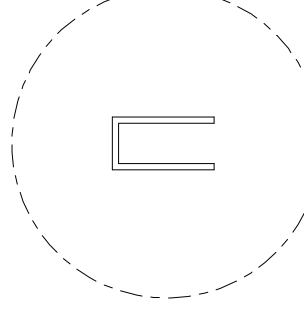
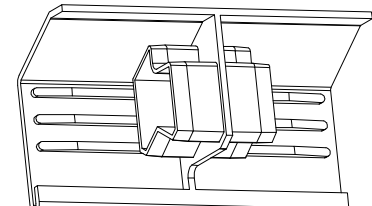
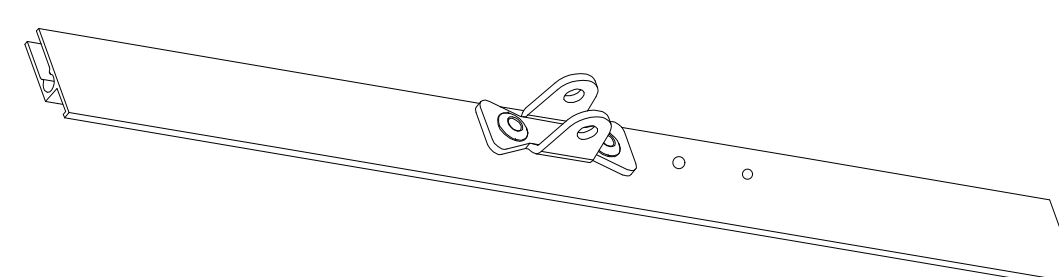
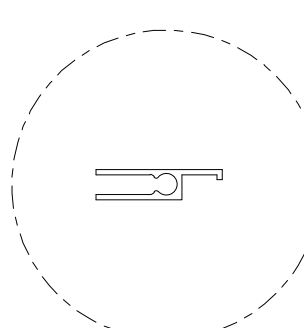
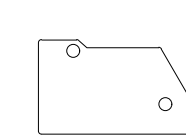
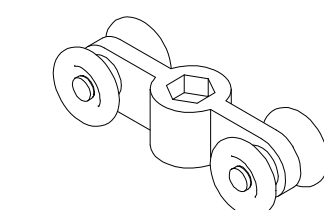
1. Precautions for installation.....	Page 1-5
2. Product exploded view.....	Page 6
3. Parts List.....	Page 8-11
4. Door Assembly.....	Page 12-16
5. Window assembly.....	Page 17-20
6. Support Parts Assembly.....	Page 21-26
7. Base Assembly.....	Page 27-31
8. Wall Assembly.....	Page 32-48
9. Roof Assembly.....	Page 49-72

# Parts List

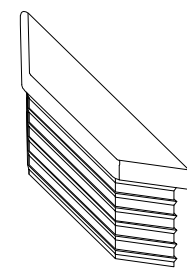
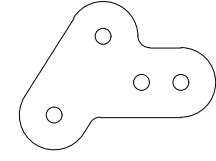
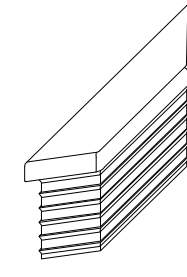
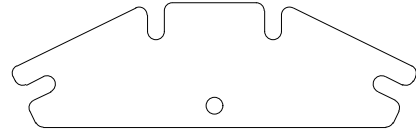
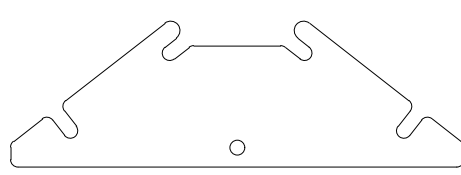
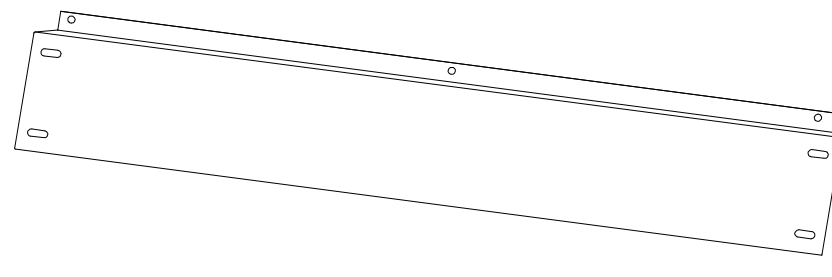
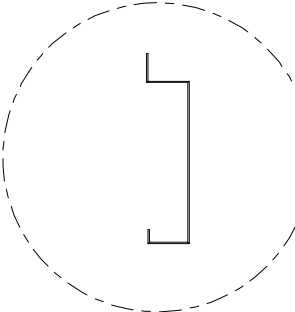
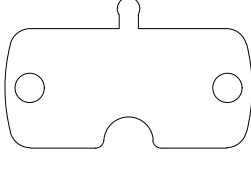
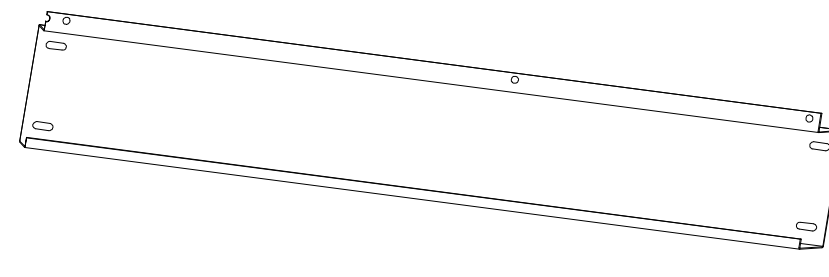
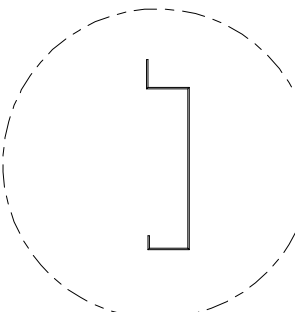
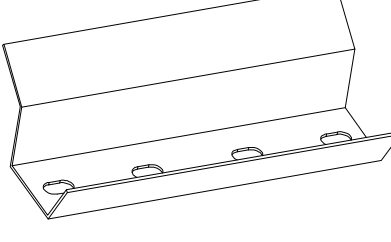
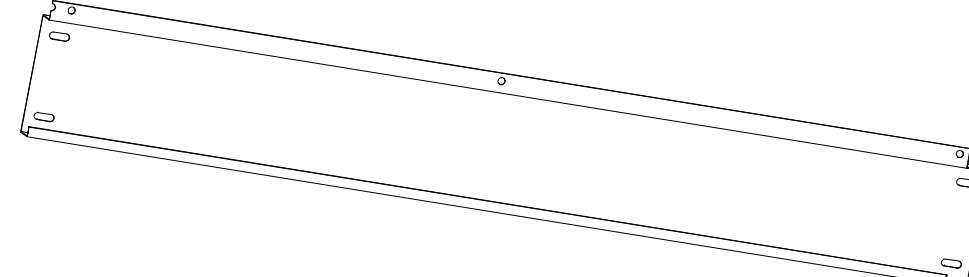
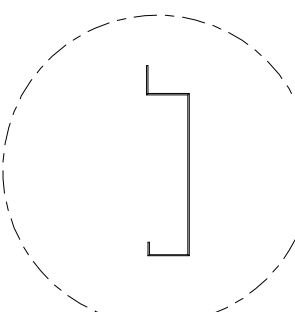
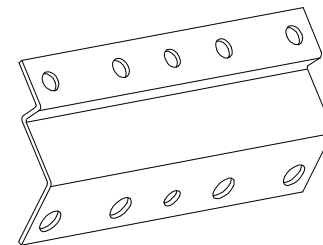
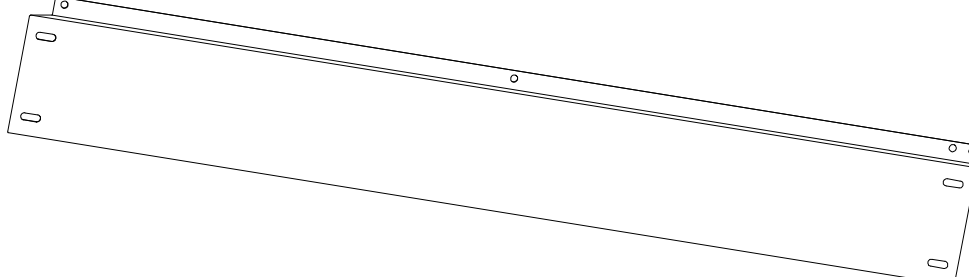
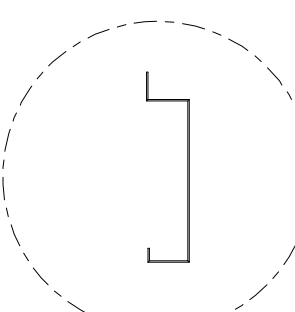
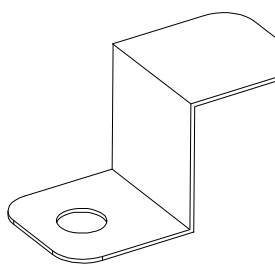
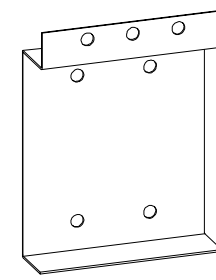
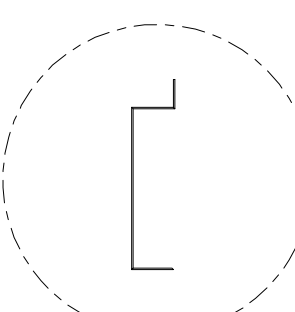
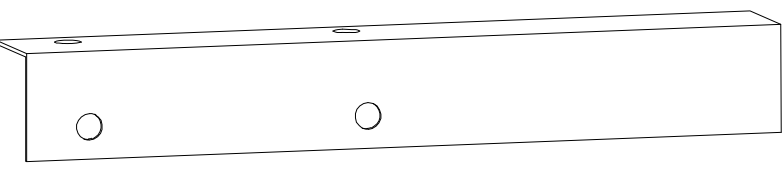
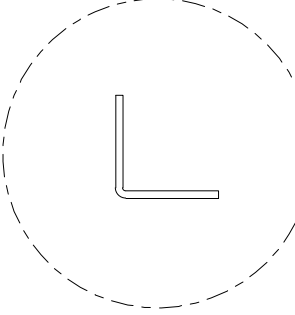
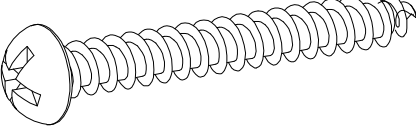
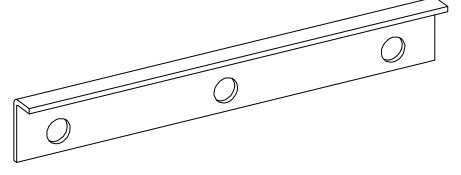
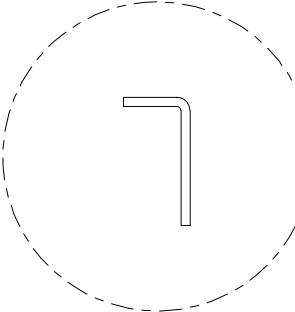
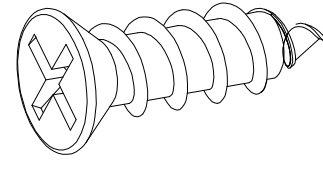

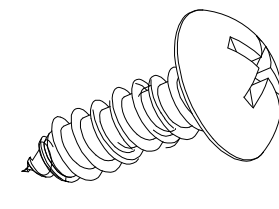
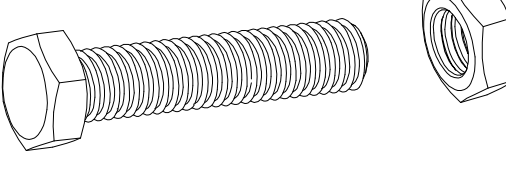
Item		Qty		MM	Item		Qty		MM
17		1 PCS		1441	11-1		1 PCS		1117
17-1		1 PCS		1591	11-2		1 PCS		1117
7		4 PCS		1272	12		4 PCS		672
16		4 PCS		1413	15		2 PCS		441
8L		2 PCS		1441	21		2 PCS		685
8R		2 PCS		1441	18		8 PCS		954
25		4 PCS		1431	13		1 PCS		983
19		6 PCS		1272	9		2 PCS		1748
20		6 PCS		1413	D1		4 PCS		1712
10R		1 PCS		1774	D2		4 PCS		453
10L		1 PCS		1774	D3		4 PCS		453
					6L		1 PCS		1189



# Parts List

Item		Qty		MM	Item		Qty		MM
6R		1 PCS		1189	W4		2 PCS		380
22		8 PCS		1300	S1		2 PCS		451
23		8 PCS		1200	S8		2 PCS		
24		2 PCS		1450	S9		2 PCS		
14L		1 PCS		1189	S5		2 PCS		
14R		1 PCS		1189	S6L		2 PCS		
T1		6 PCS		180	S6R		2 PCS		
T2		3 PCS		250	S2		12 PCS		670
W1		2 PCS		702	S3		2 PCS		430
W2		4 PCS		580	S10		1 PCS		
W3		2 PCS		702	S7		2 PCS		
					D4		4 PCS		

# Parts List

Item		Qty		MM	Item		Qty		MM
S4L		<u>1</u> PCS			B4		<u>4</u> PCS		
S4R		<u>1</u> PCS			B5		<u>4</u> PCS		
					B6		<u>2</u> PCS		
1L		<u>2</u> PCS		1218	B7		<u>2</u> PCS		
1R		<u>2</u> PCS		1218	B12		<u>2</u> PCS		
2L		<u>2</u> PCS		1467	B10		<u>2</u> PCS		
2R		<u>2</u> PCS		1467	B11		<u>2</u> PCS		
27		<u>4</u> PCS		100					
4		<u>4</u> PCS		345	F1		<u>16</u> PCS		ST4.8x30
B2		<u>1</u> PCS		125	F2		<u>8</u> PCS		ST4.8x16
B3		<u>8</u> PCS			F5		<u>12</u> PCS		ST4.2x8
					F6		<u>4</u> PCS		M6x20

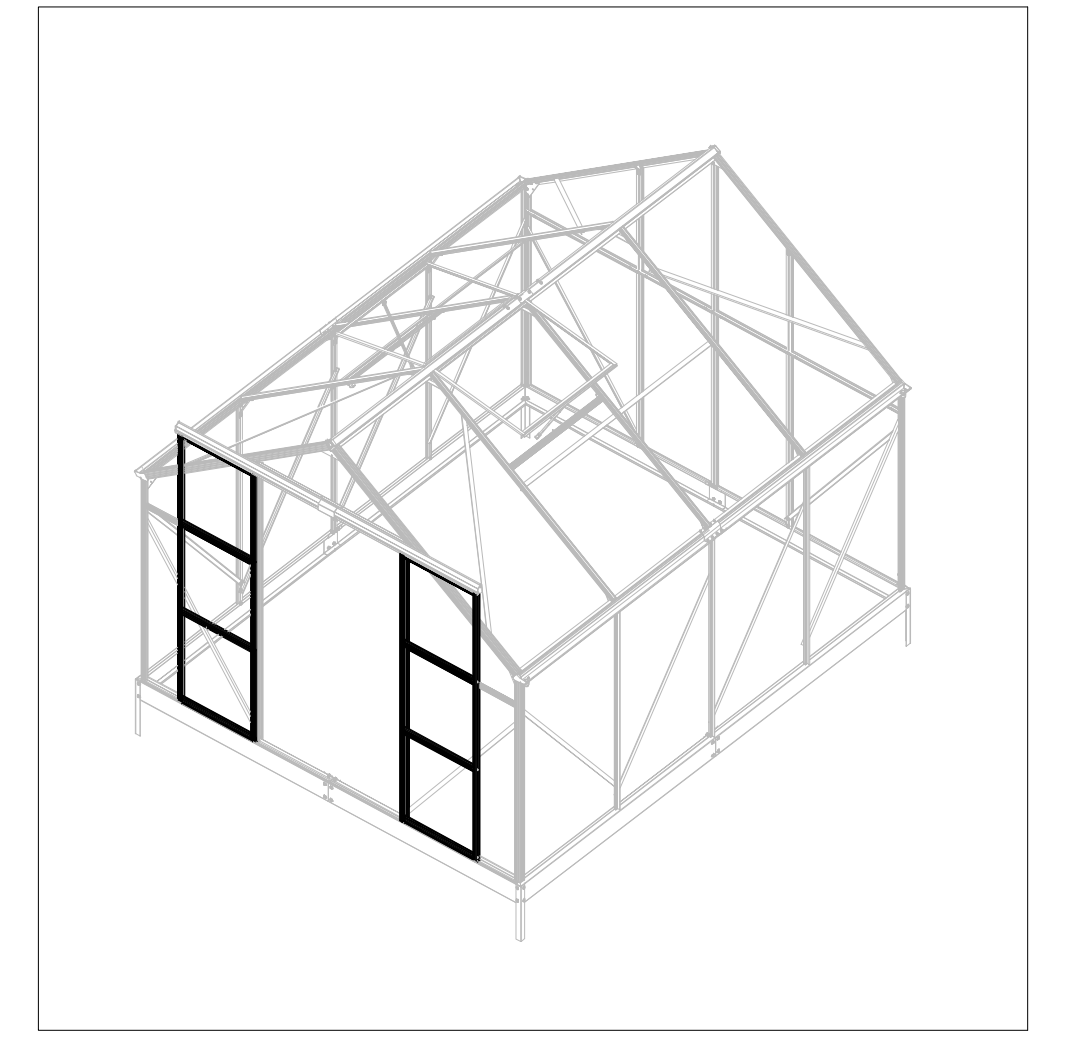
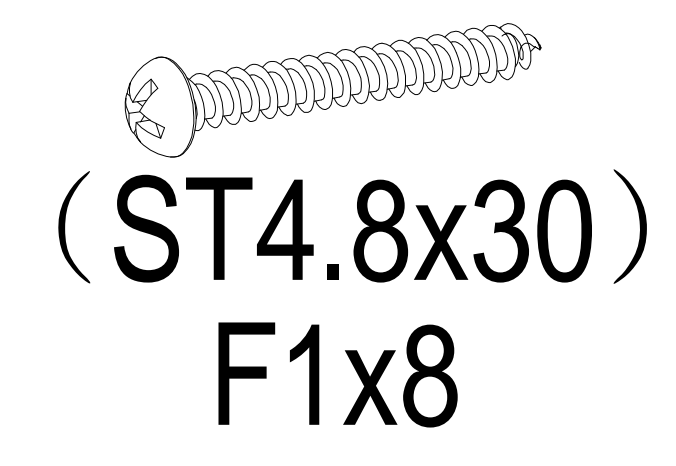
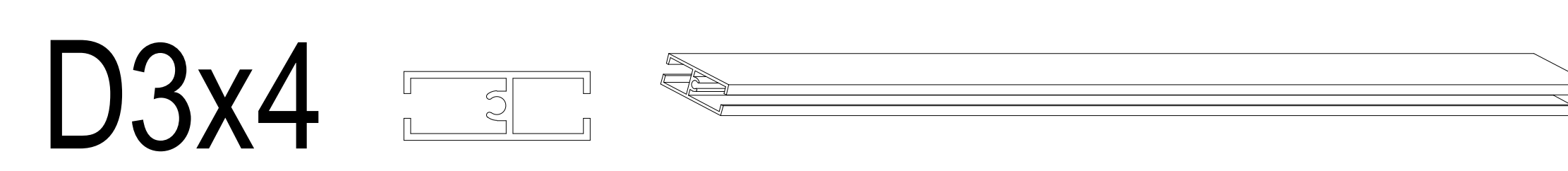
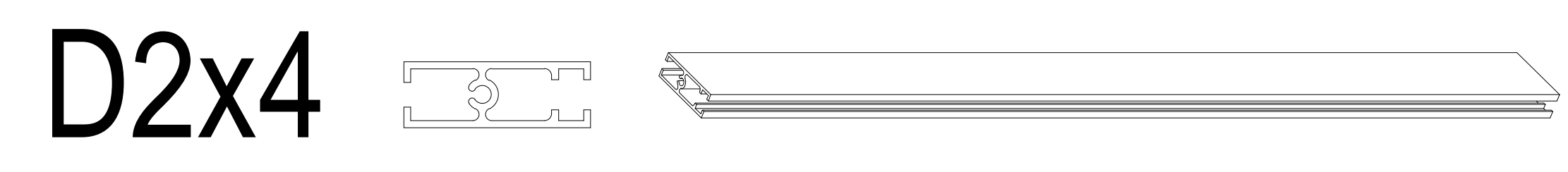
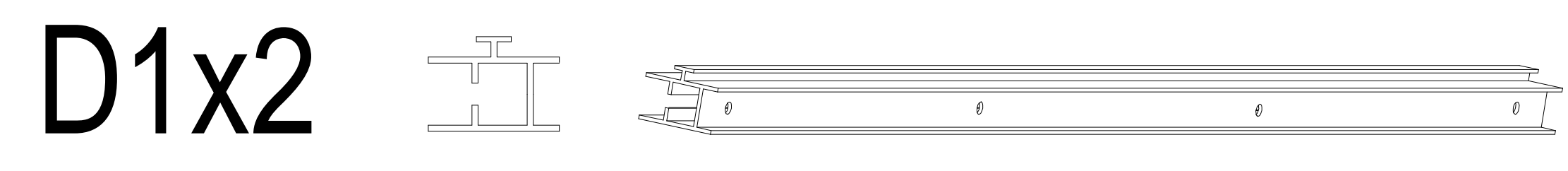




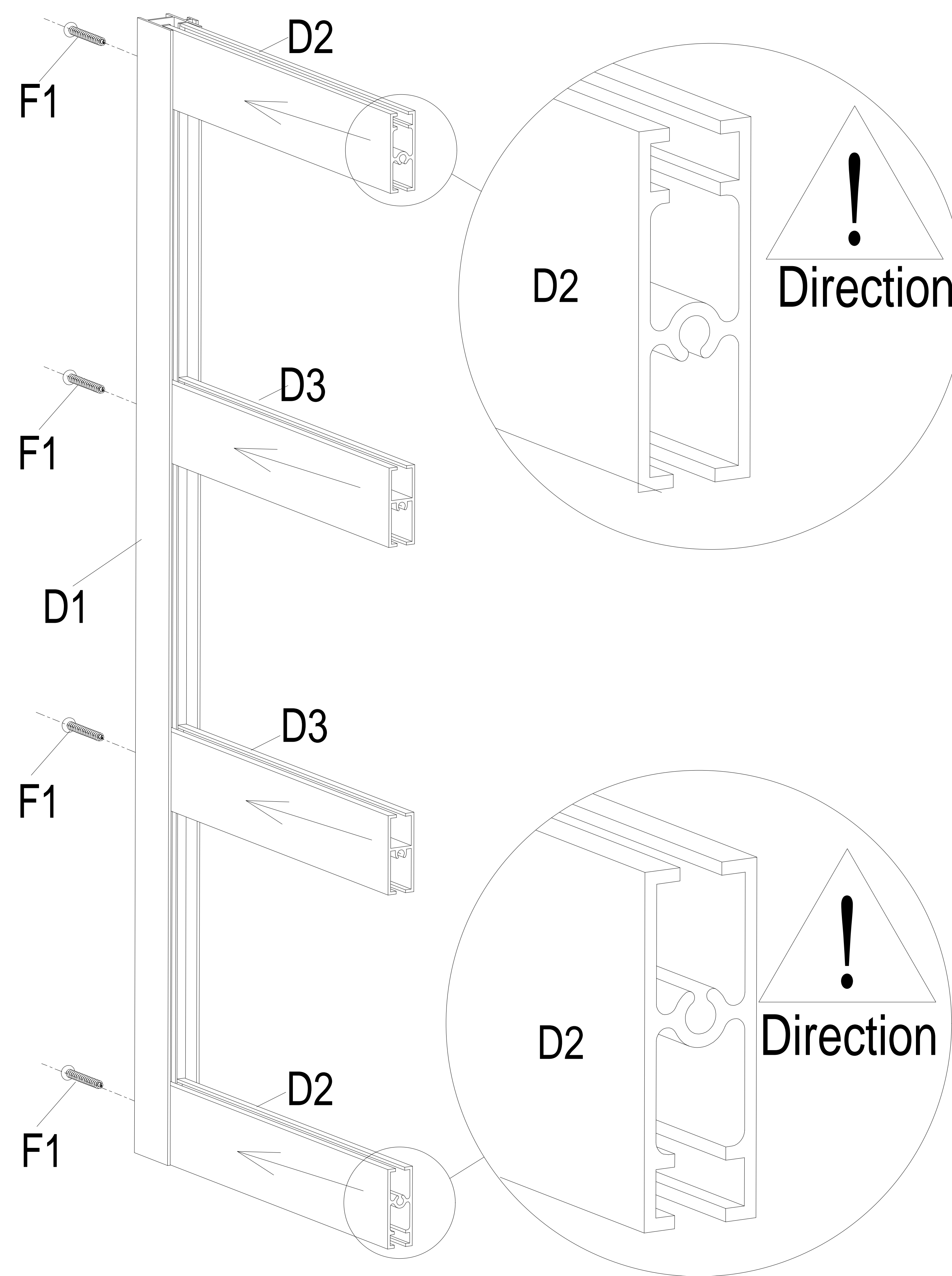
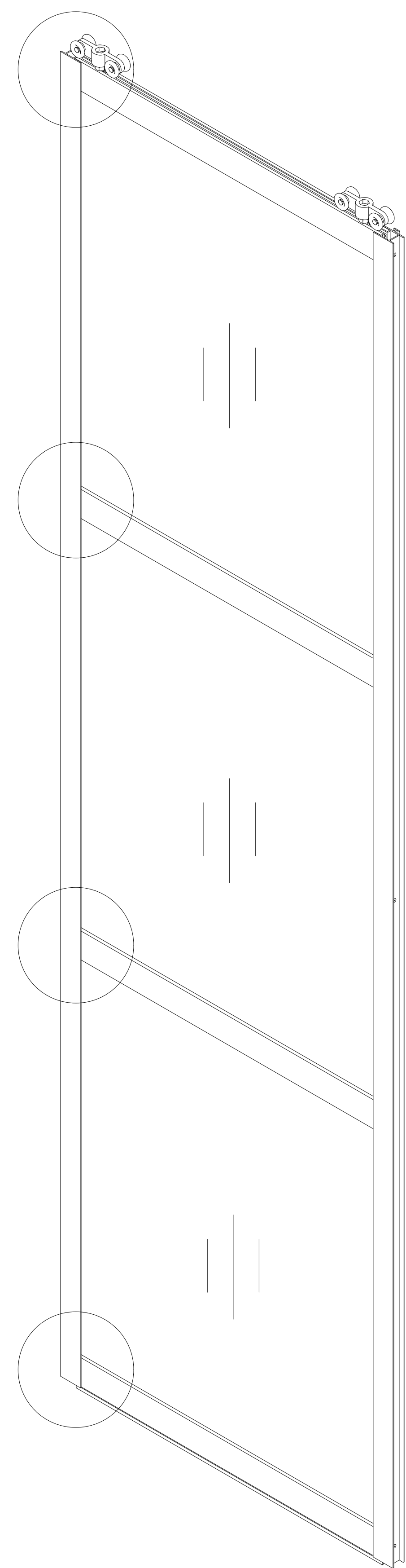




# Door

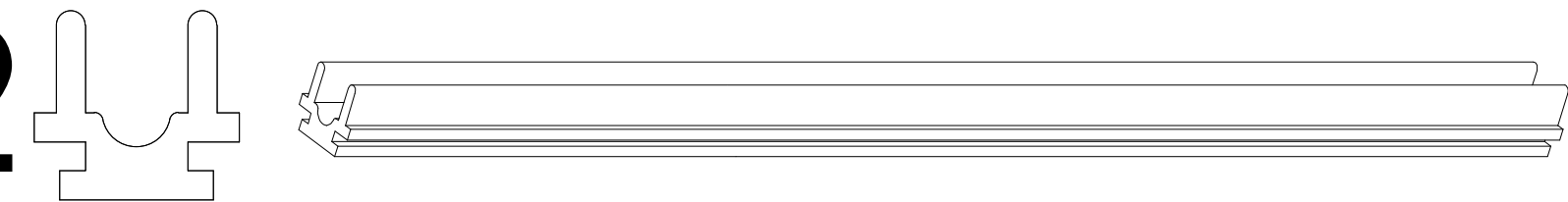


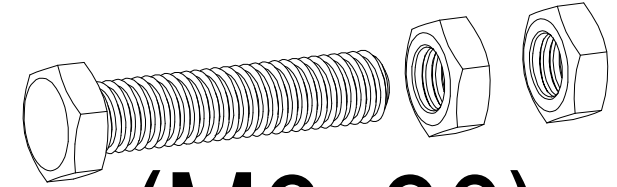
DOORx2

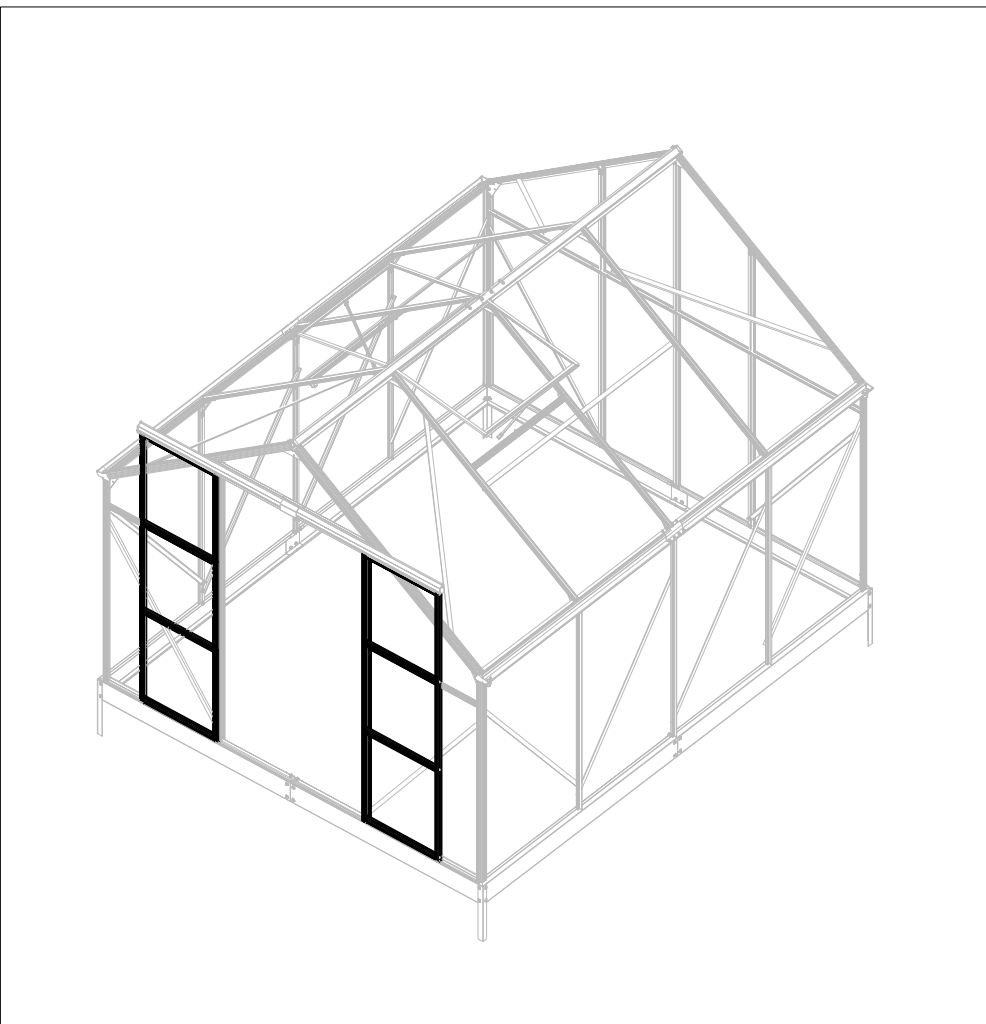


x2

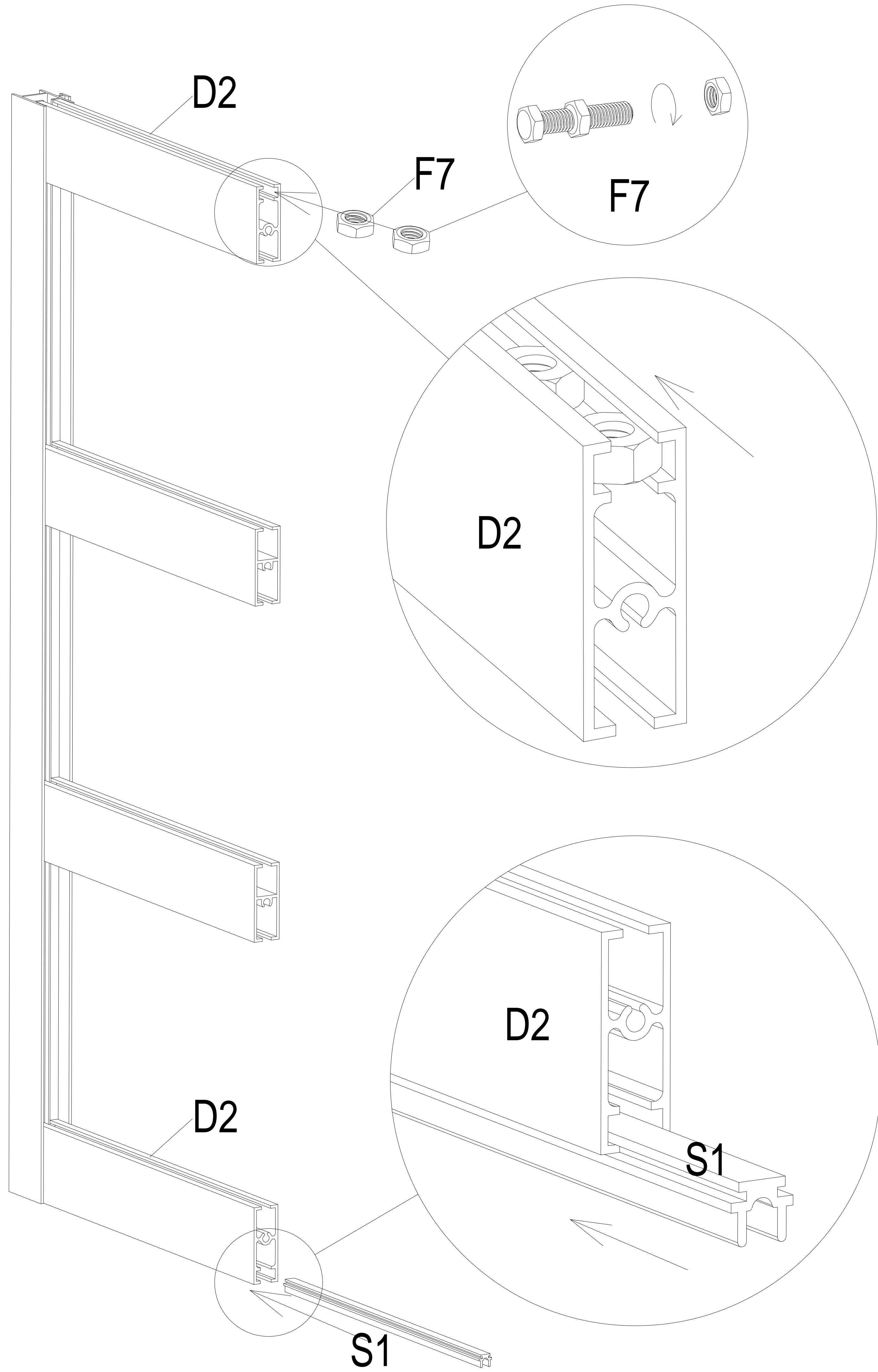
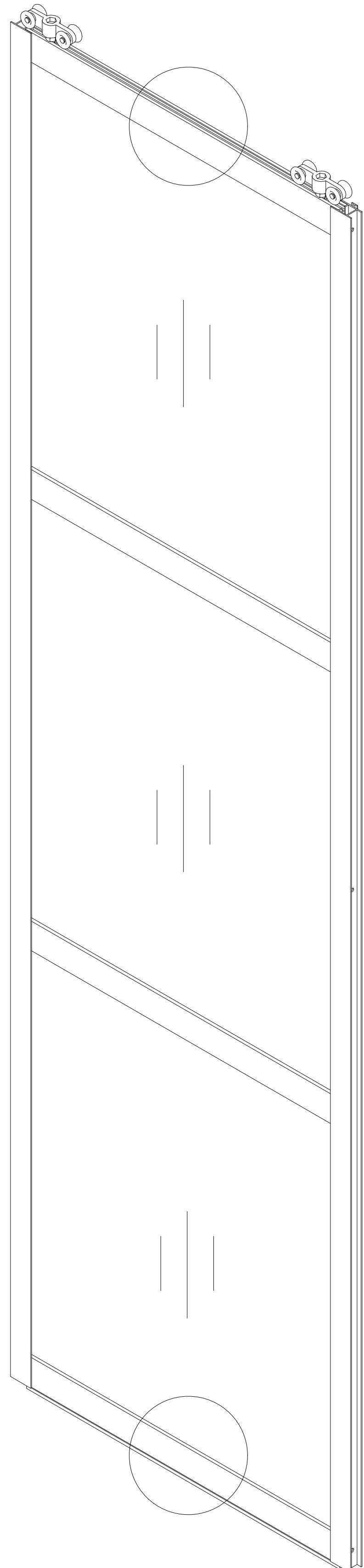
Door

S1x2 

  
(M6x30)  
F7x4



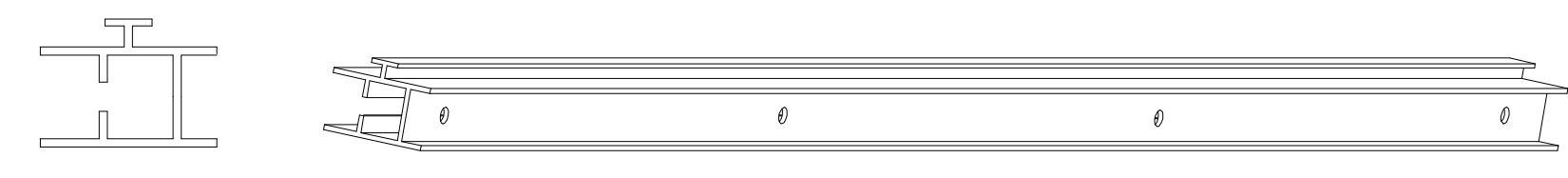
DOORx2



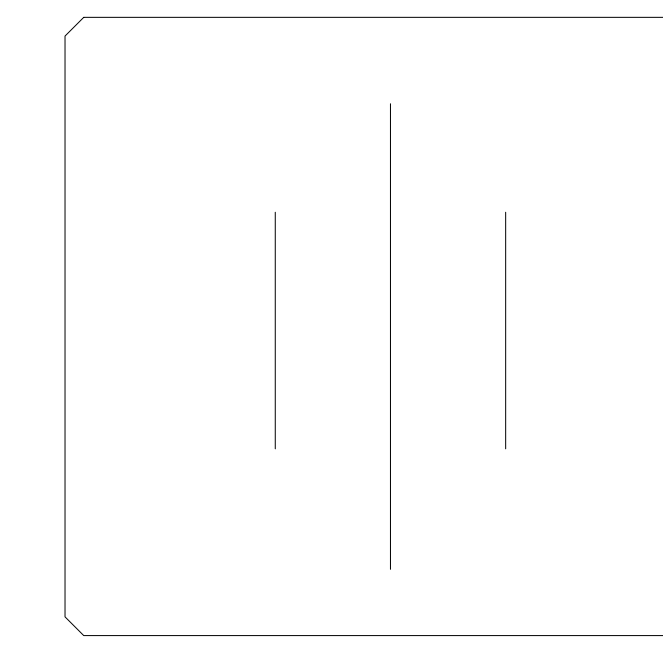
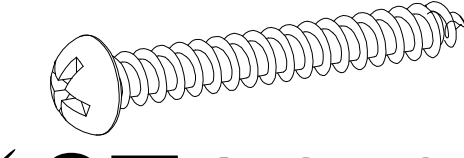
x2

# Door

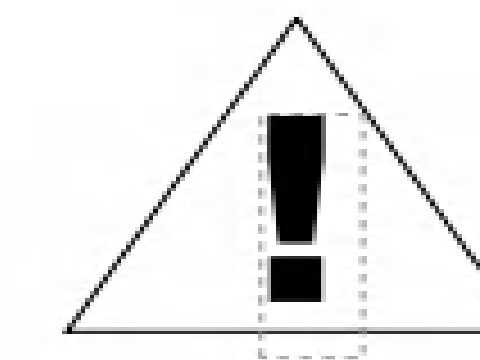
D1x2



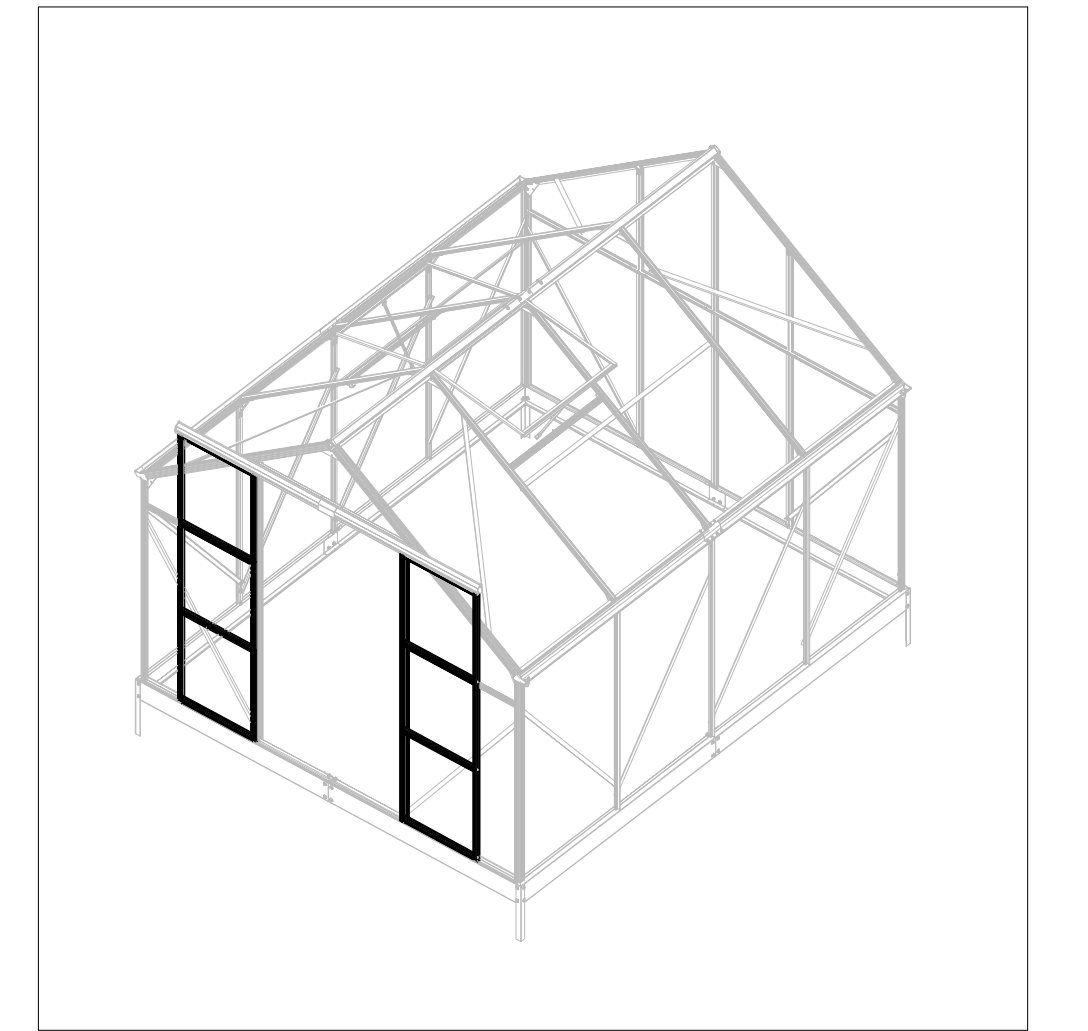
(ST4.8x30)  
F1x8



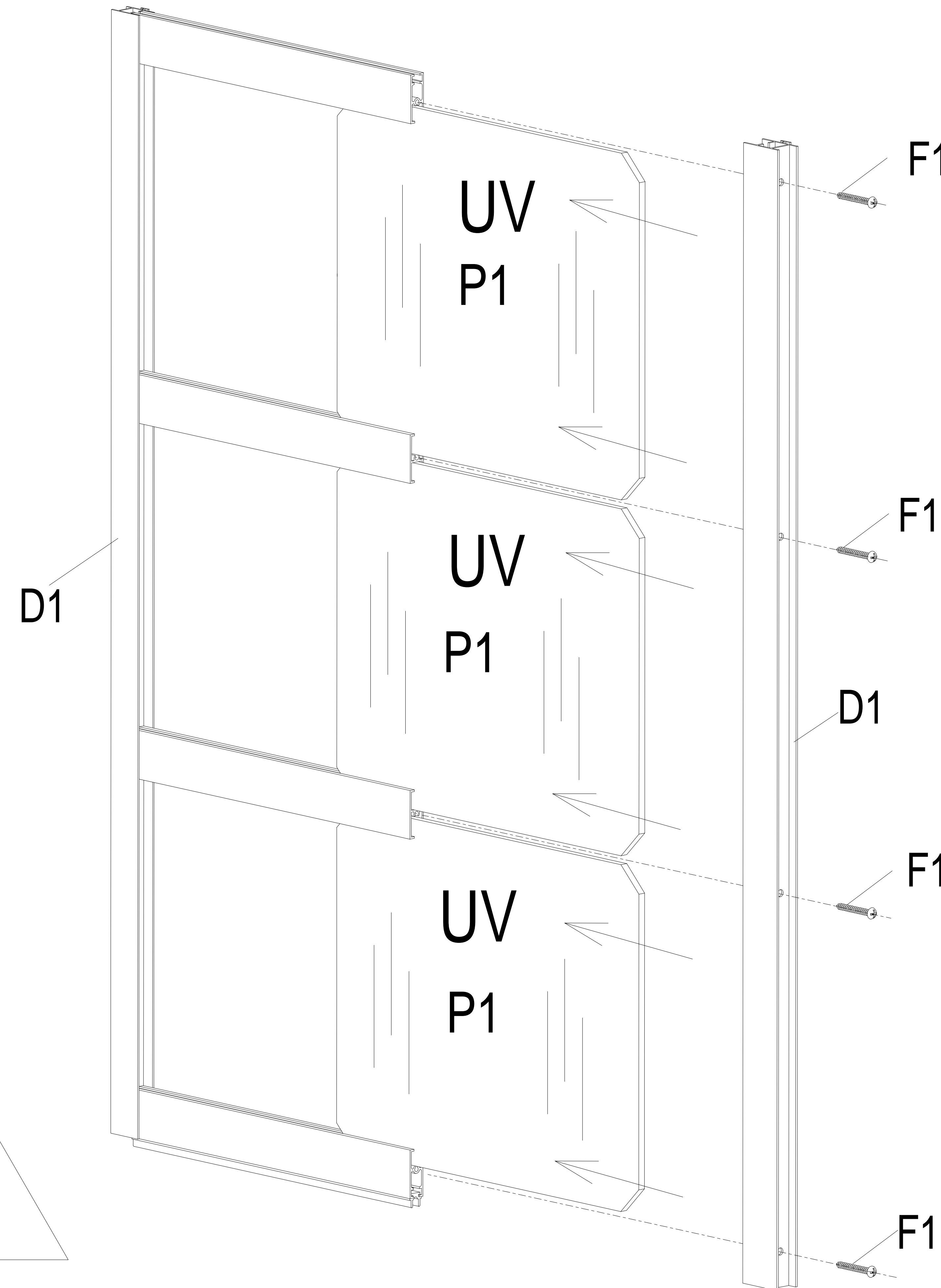
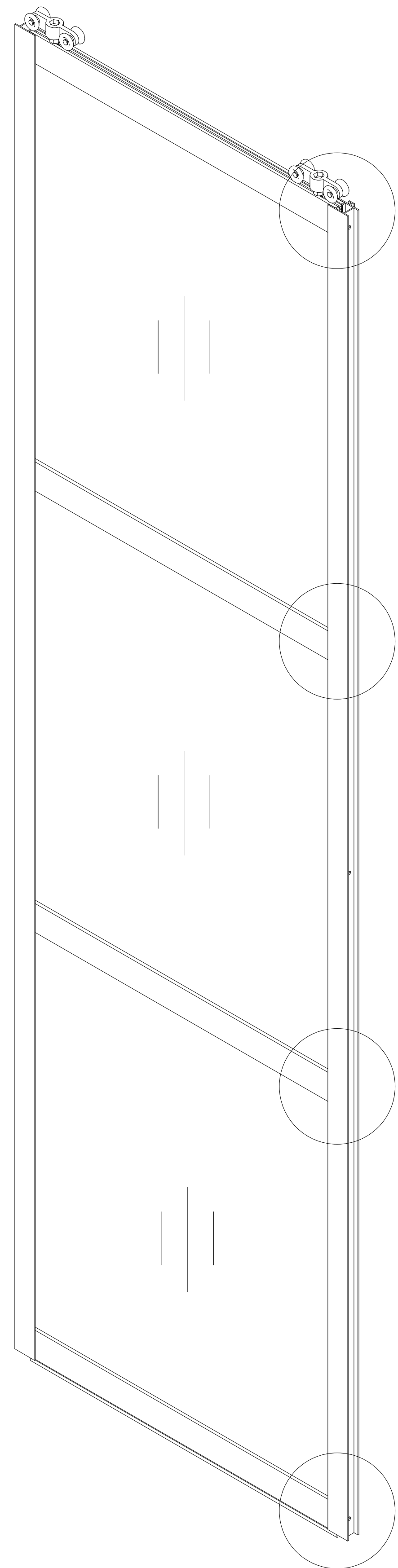
P1x6



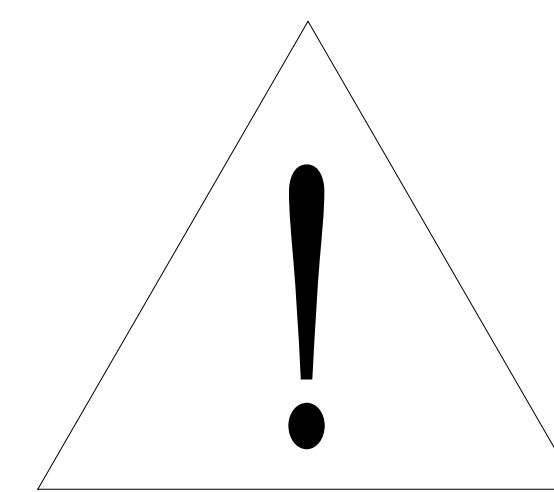
Tear off the film before  
inserting it & The white  
side face outward



DOORx2



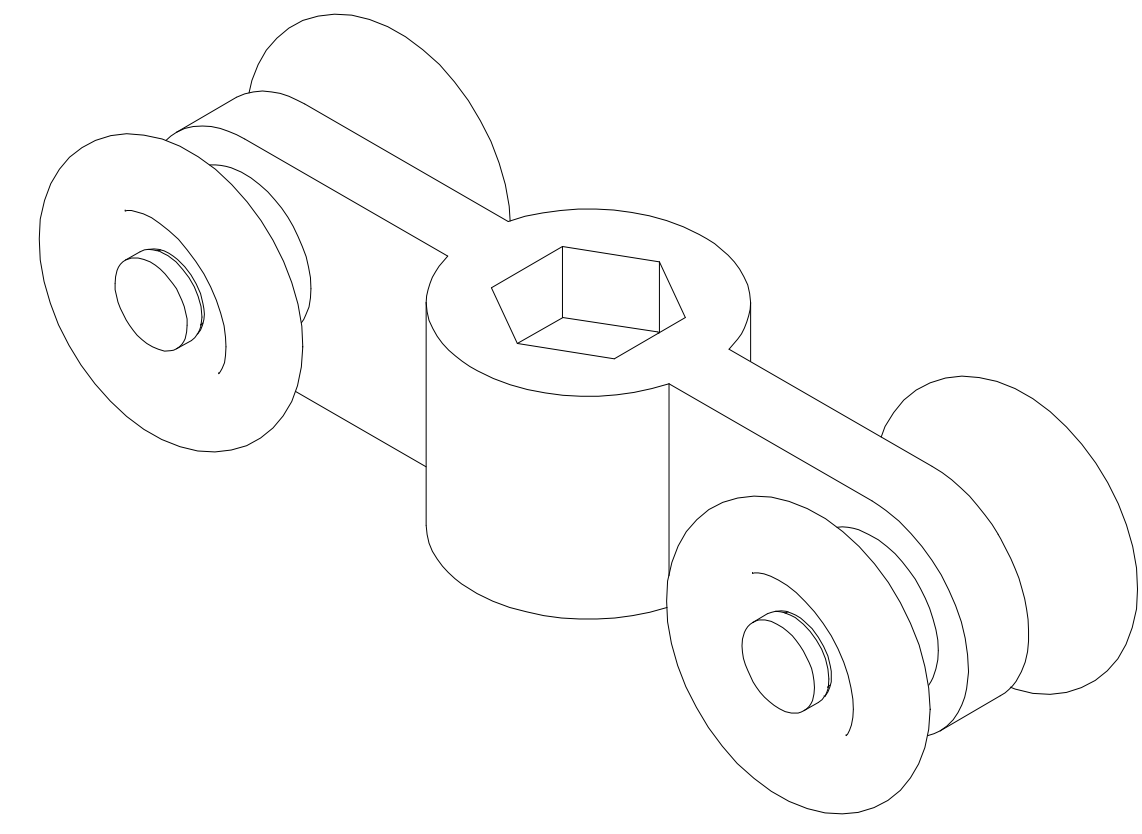
x2



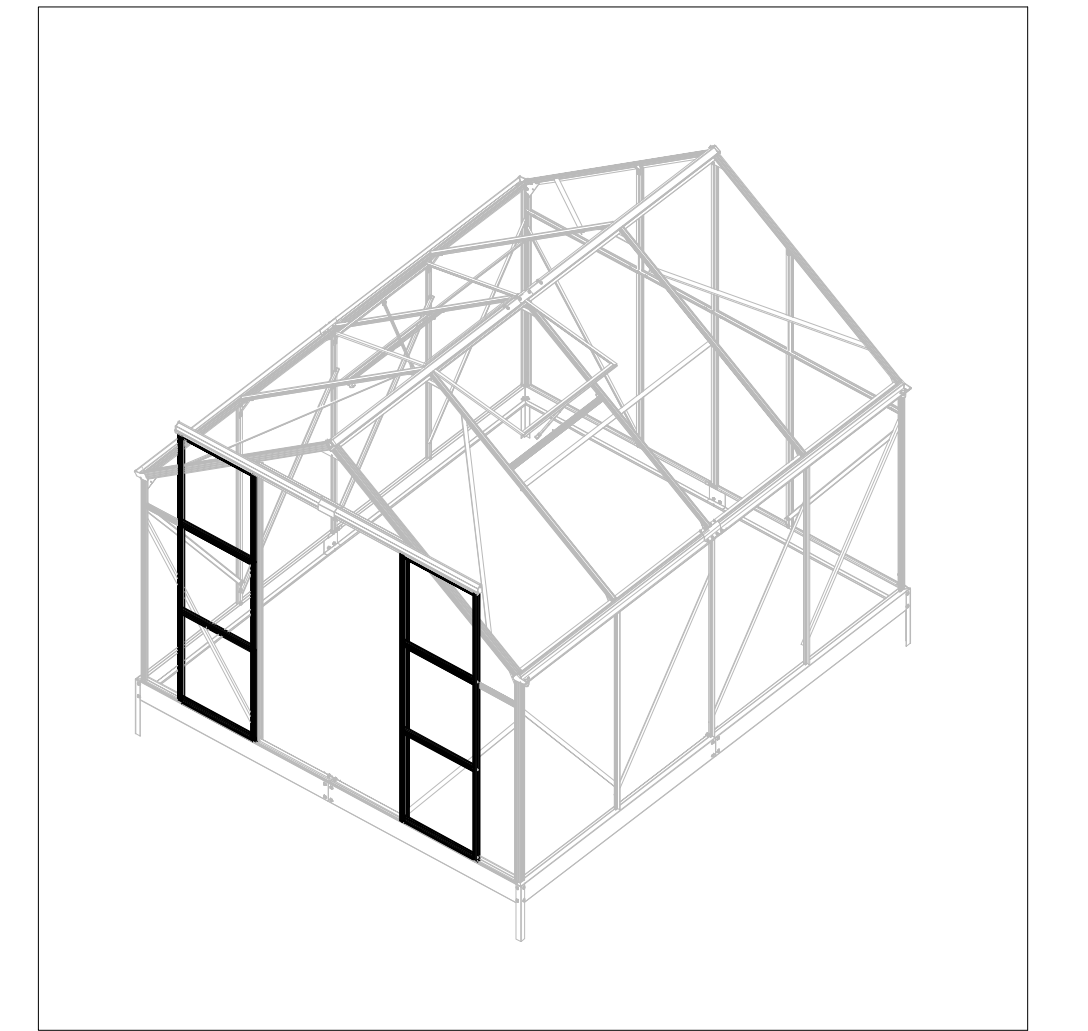
Note toward the UV surface to the Sun.



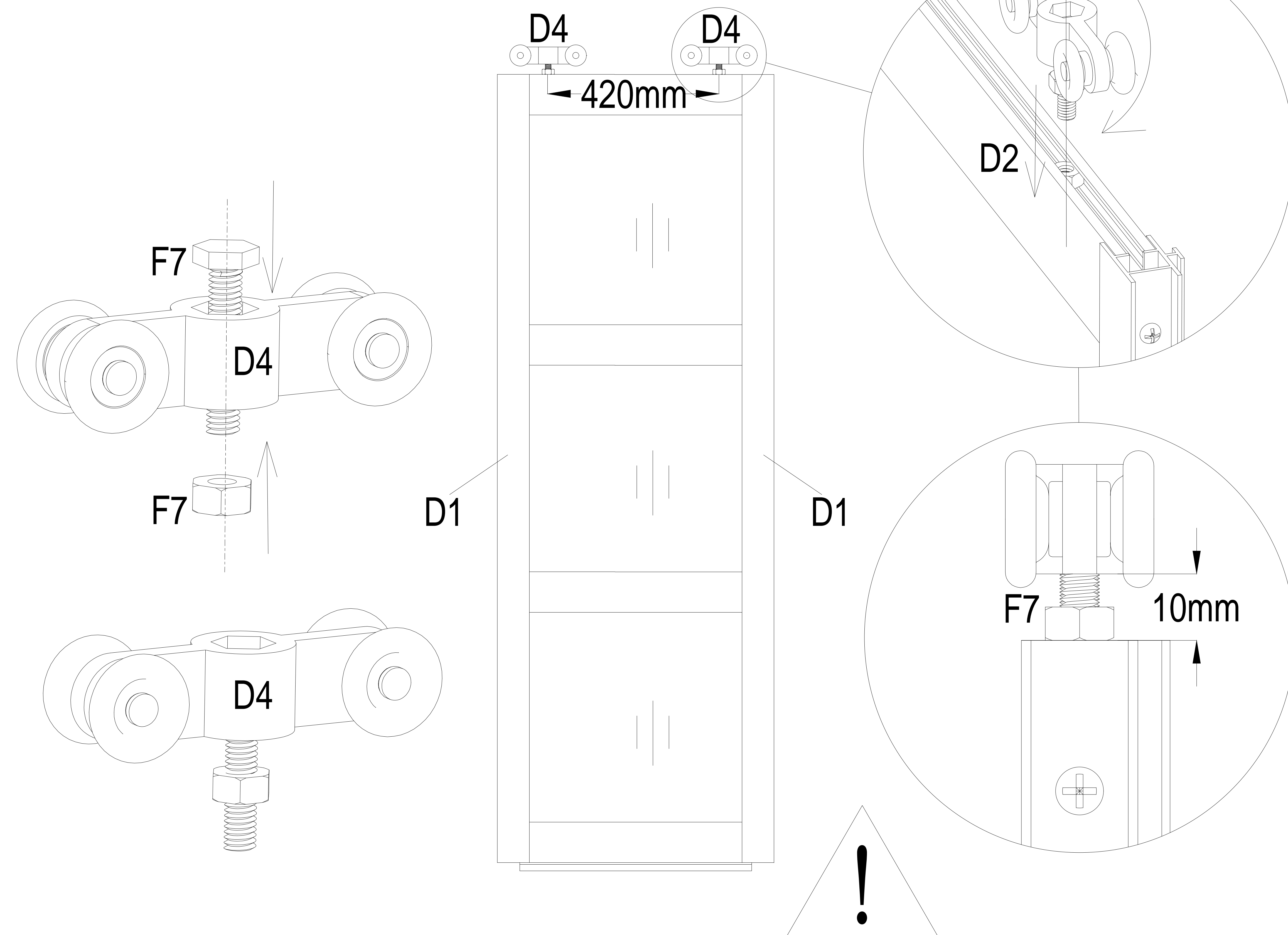
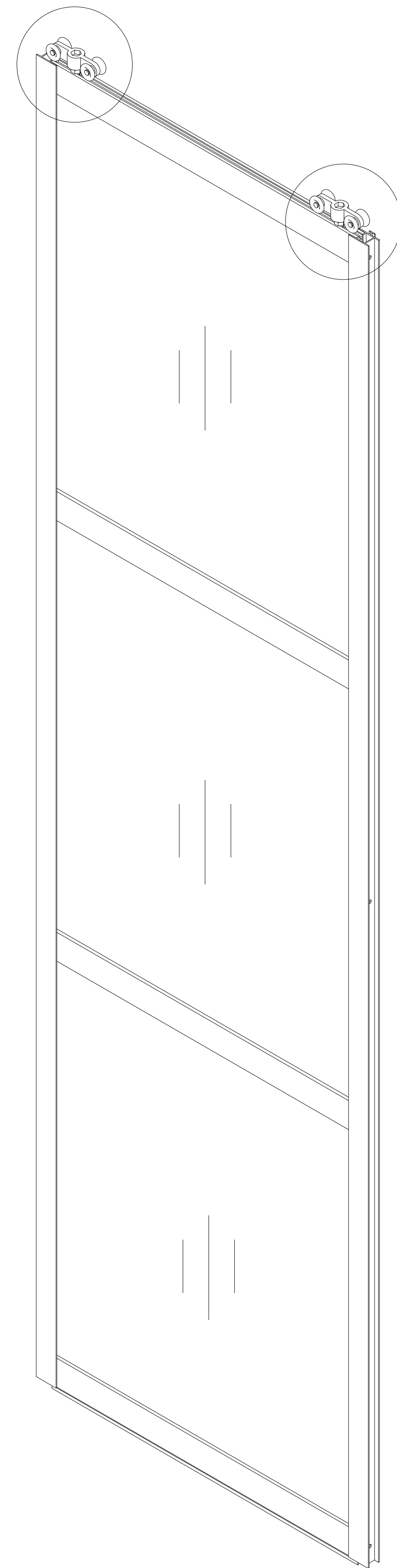
# Door



D4x4



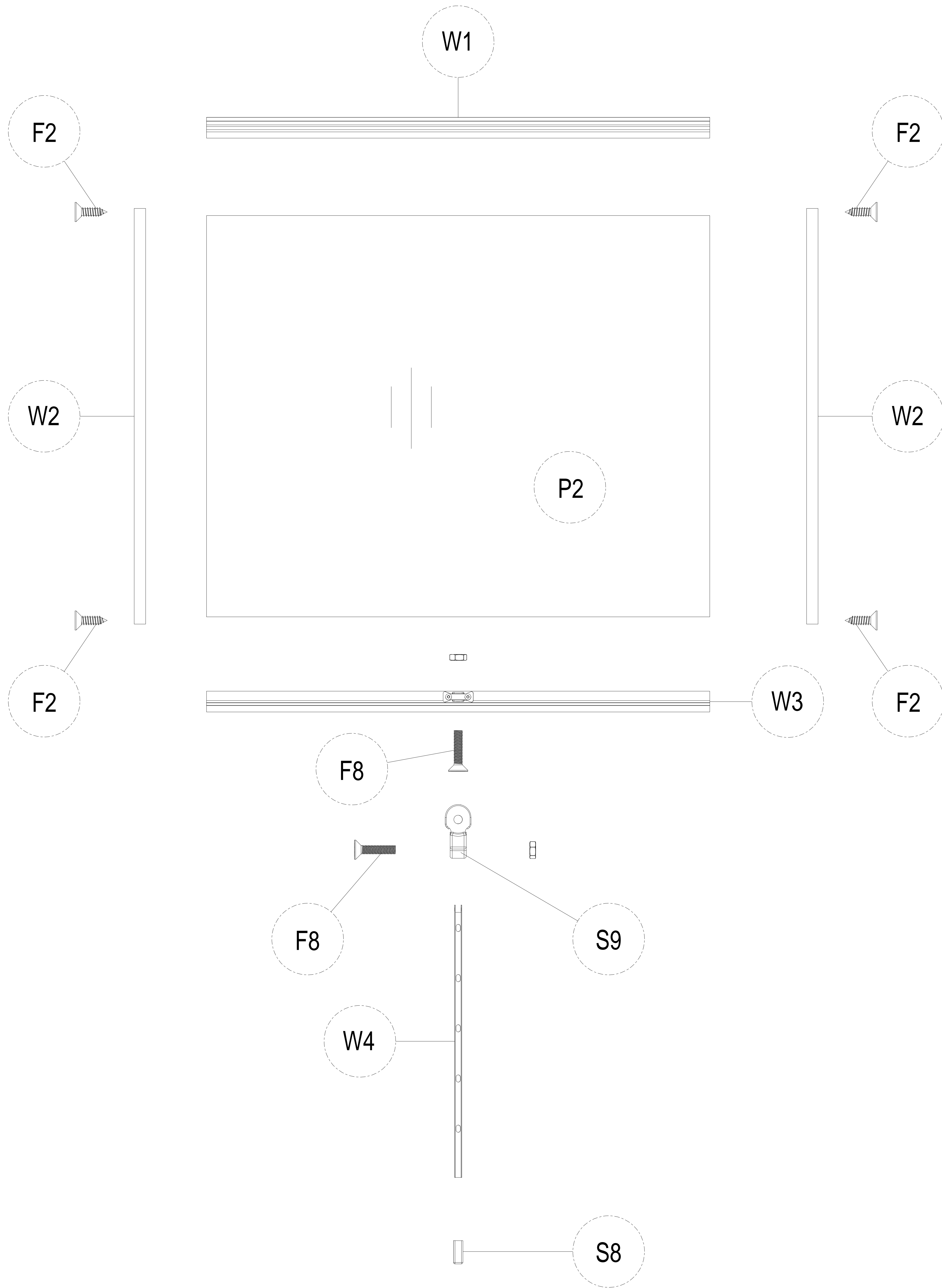
DOORx2



x2

Please keep level of parts D2, D4, then tighten screw F7

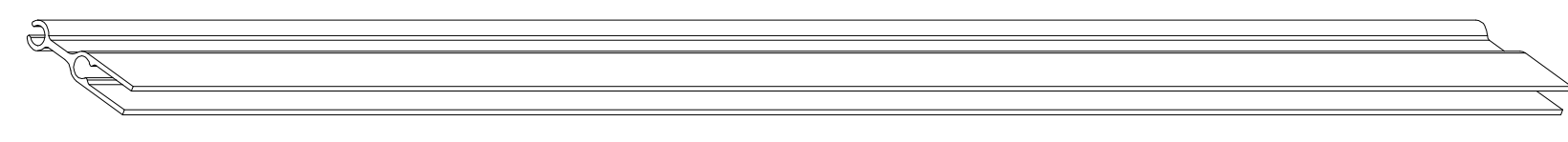
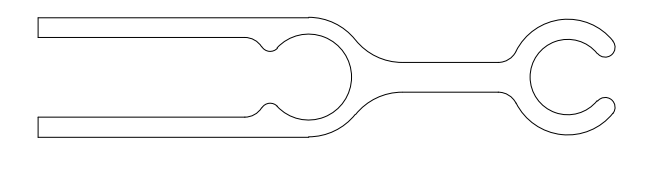
# Window Exploded View



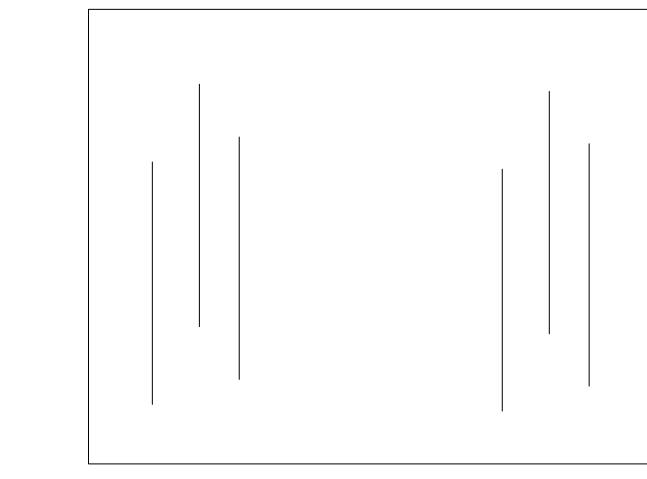
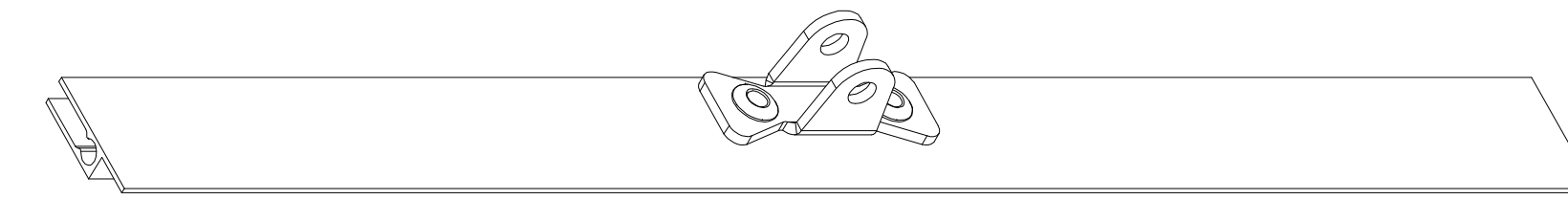
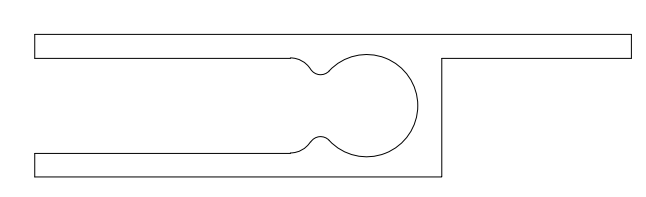
Item		Qty		MM
W1		2 PCS		702
W2		4 PCS		580
W3		2 PCS		702
W4		2 PCS		380
S8		2 PCS		
S9		2 PCS		
F2		8 PCS		ST4.8x16
F8		4 PCS		M4x20

# Window

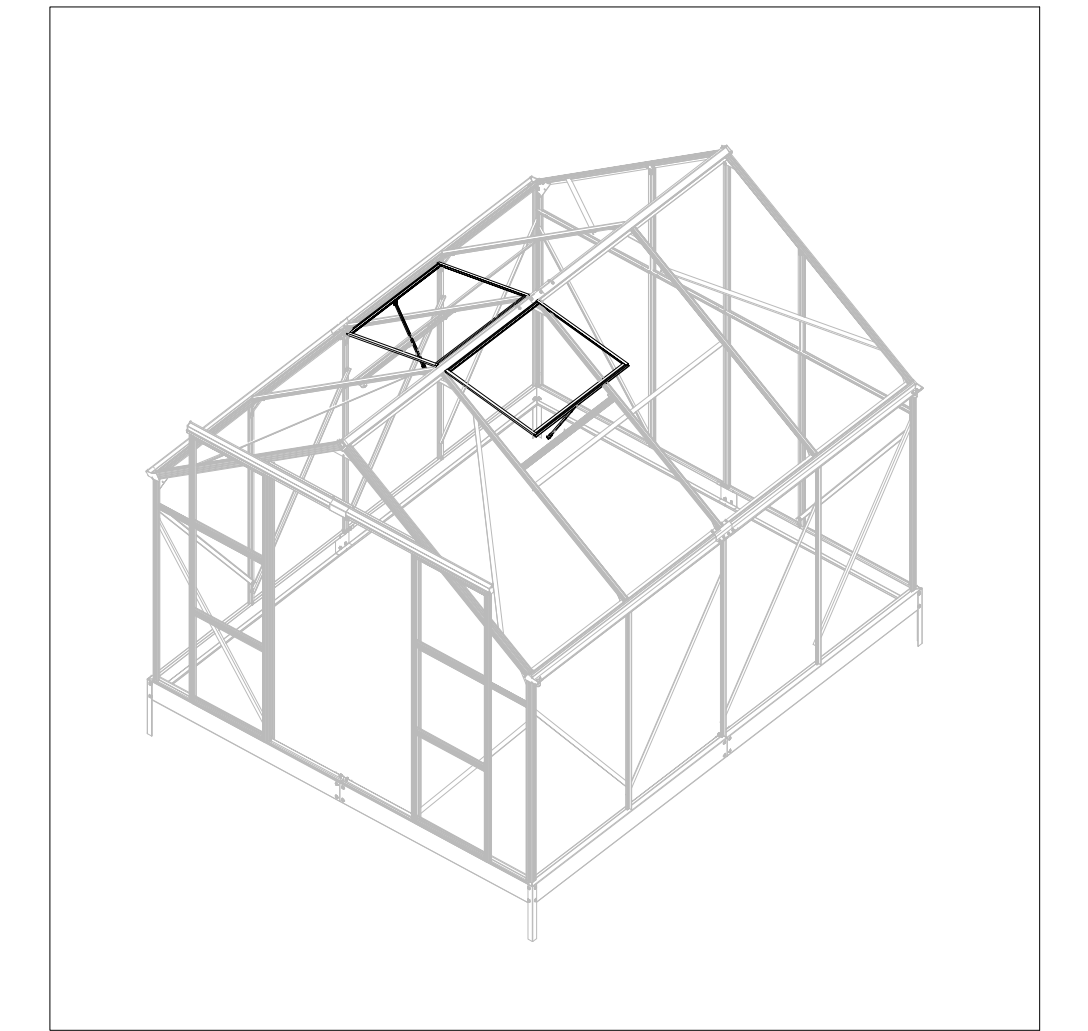
W1x2



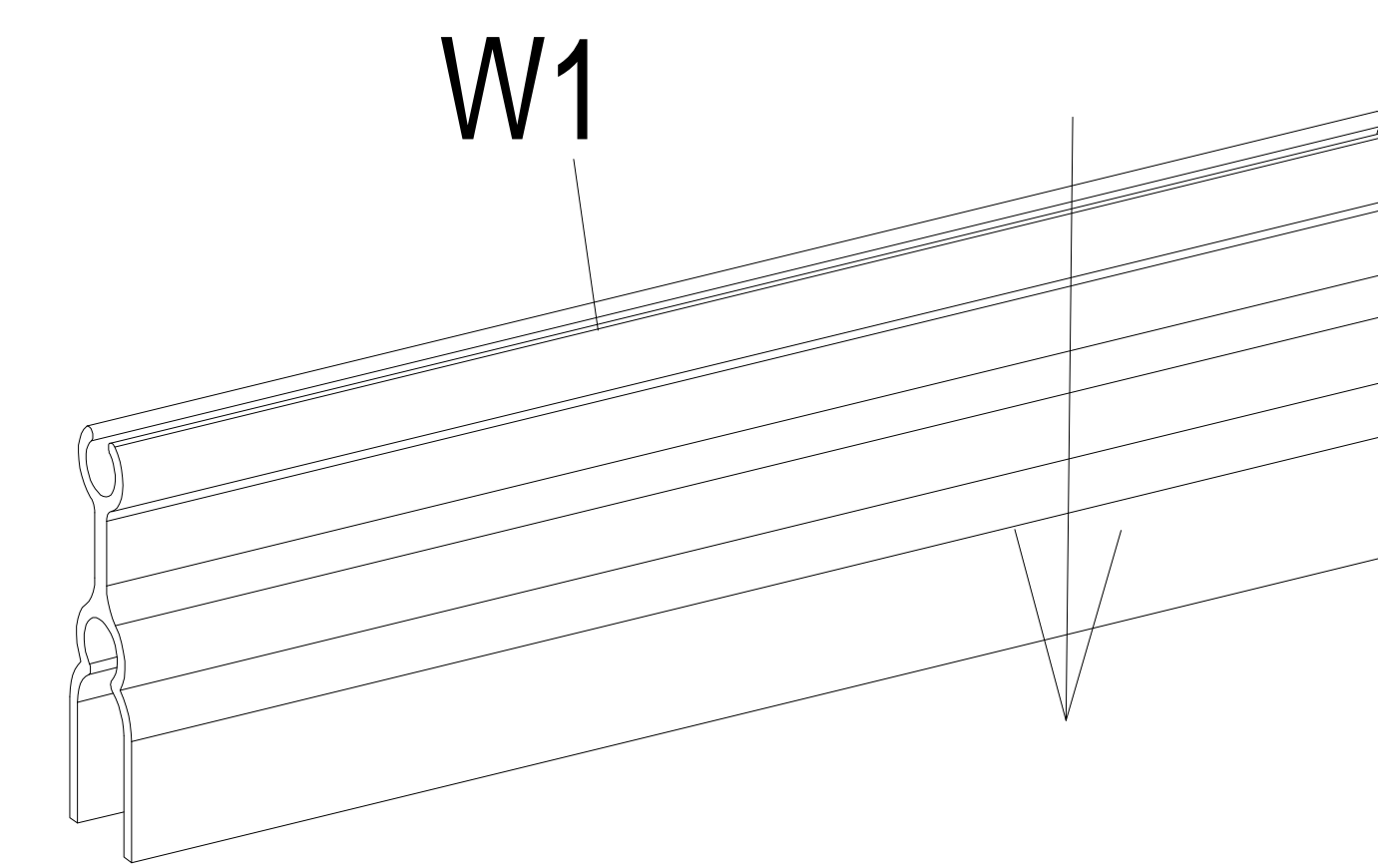
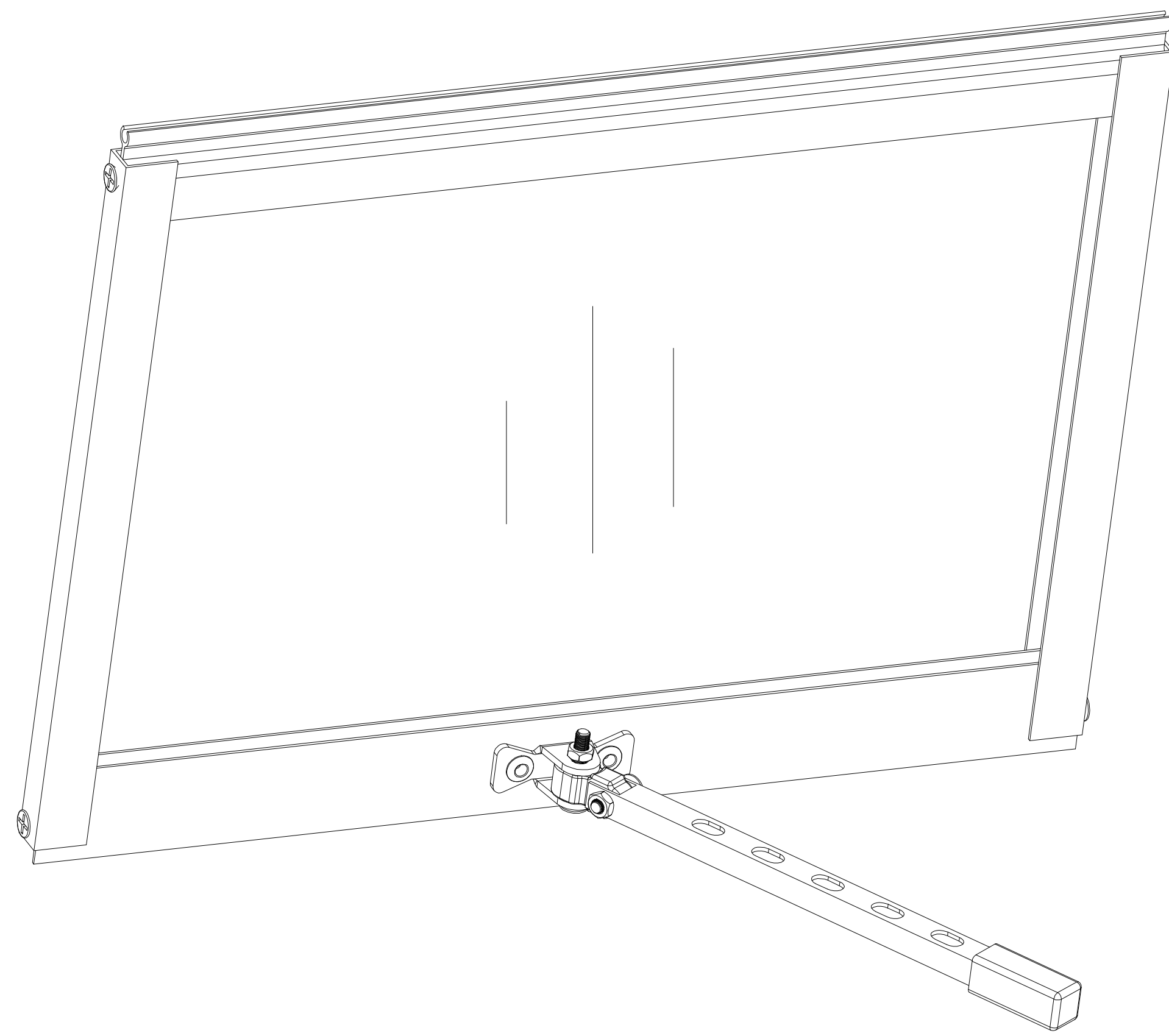
W3x2



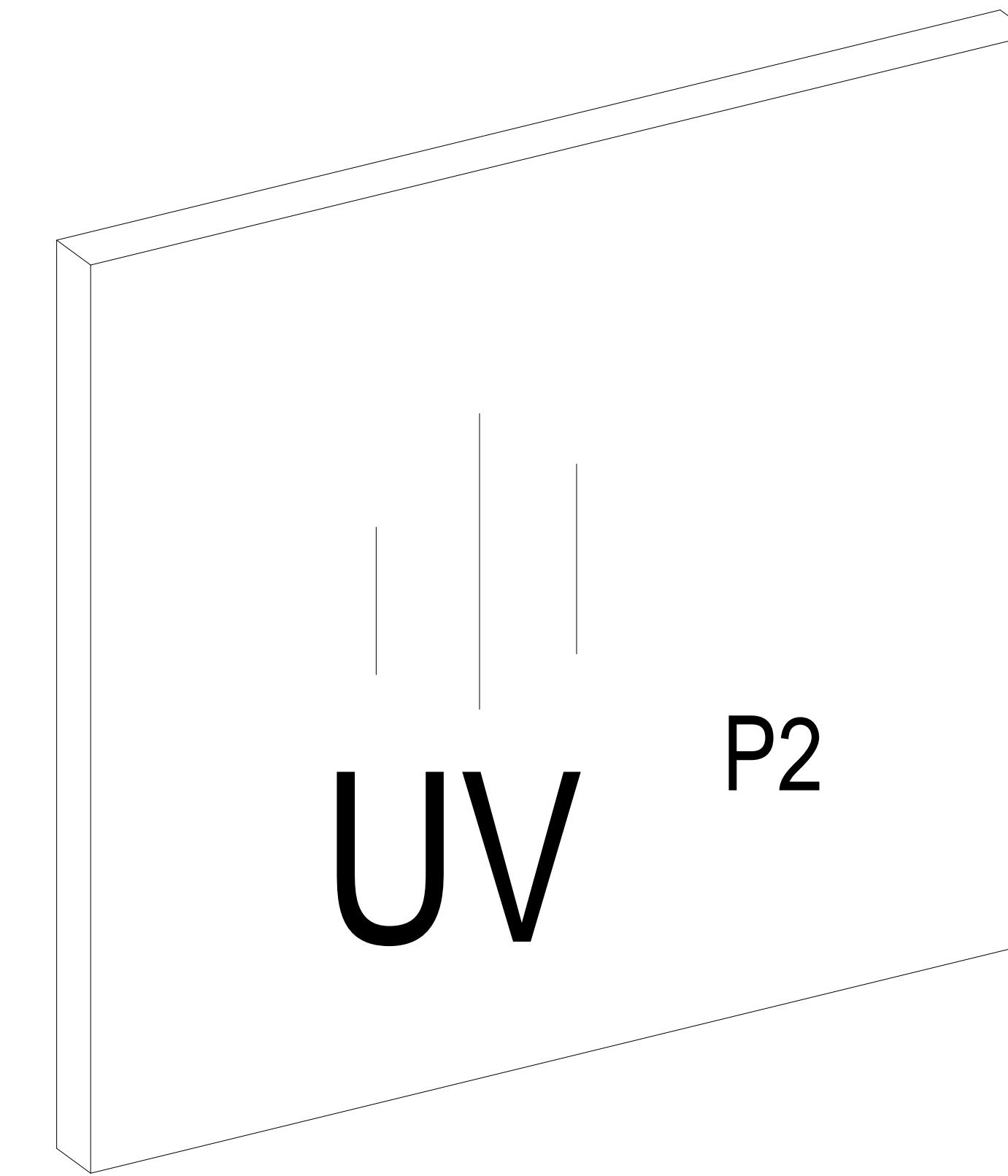
P2 x2



WINDOW x2

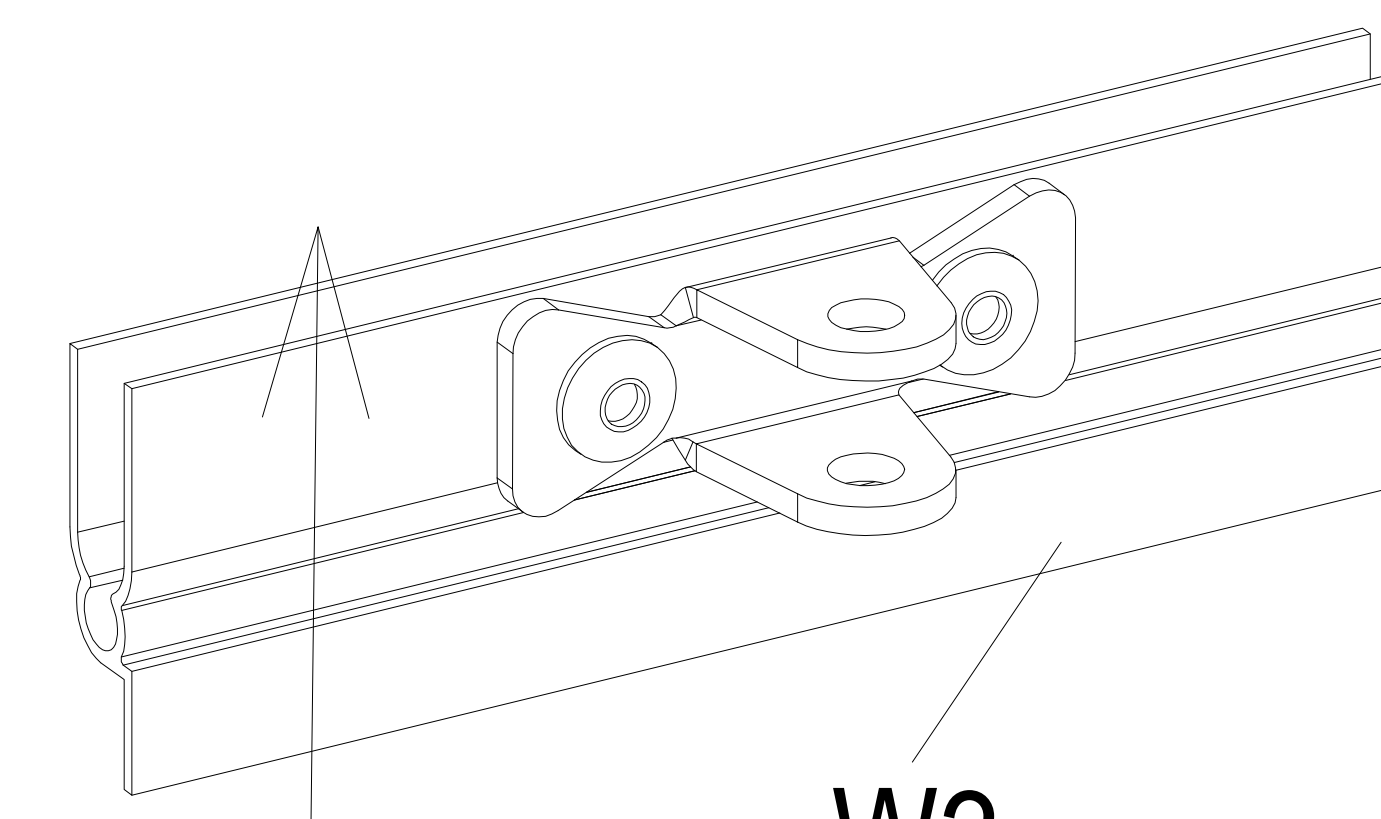


W1



UV

P2



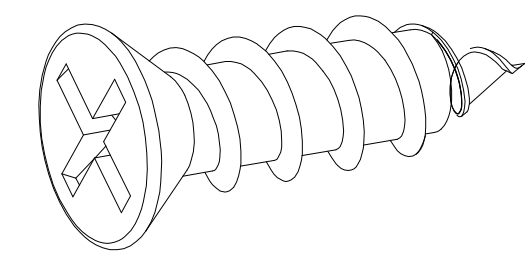
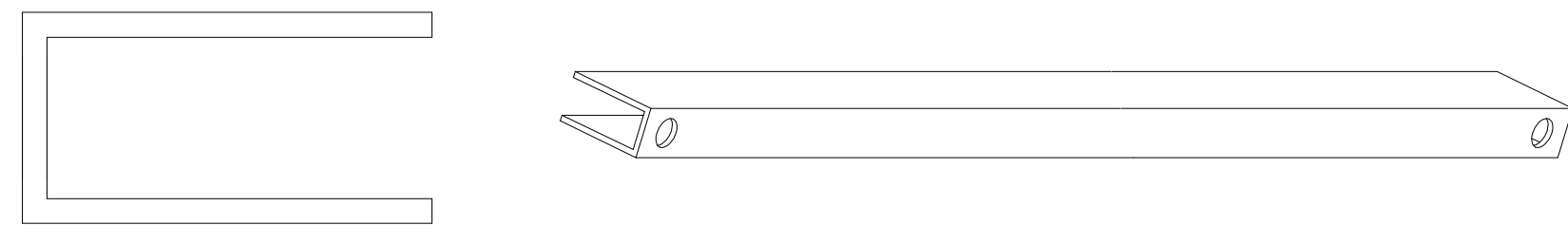
W3

x2

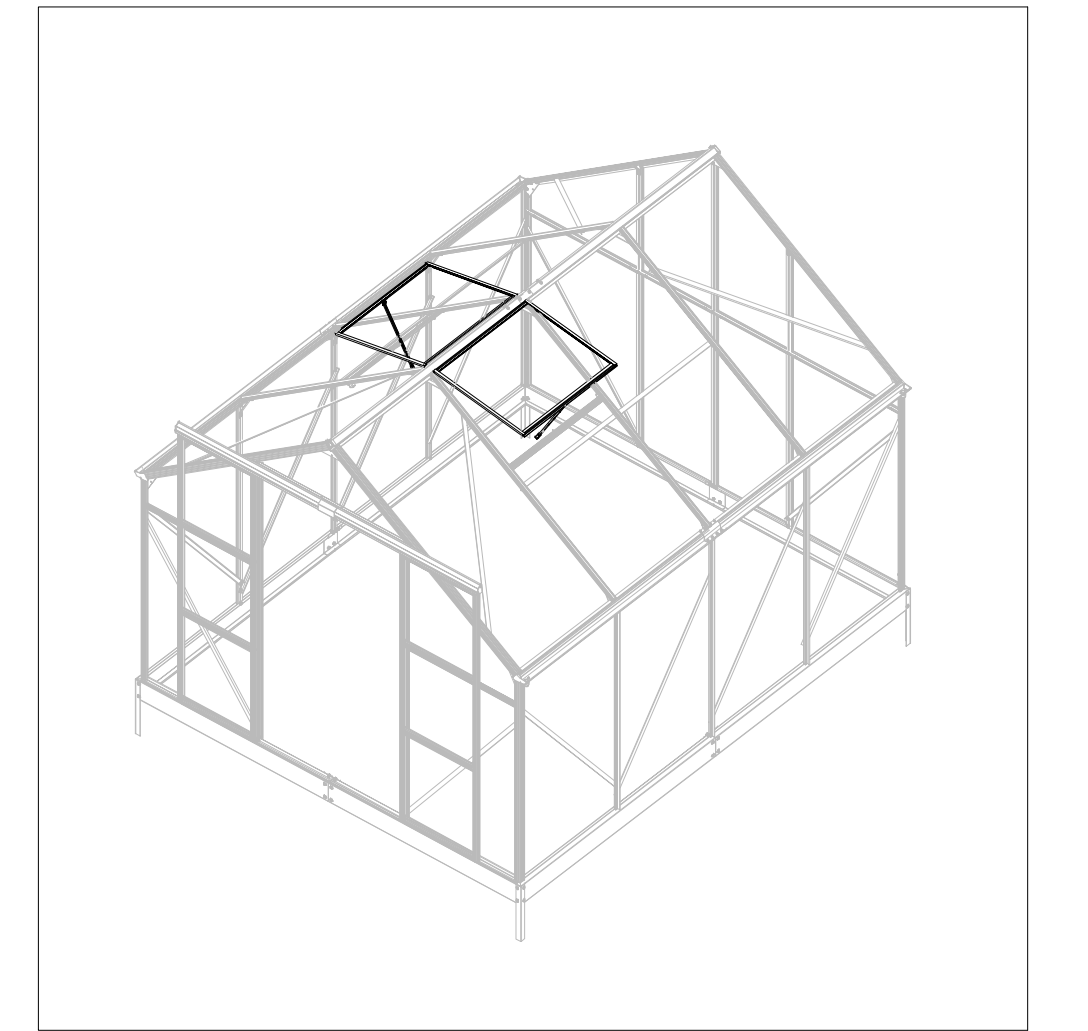


# Window

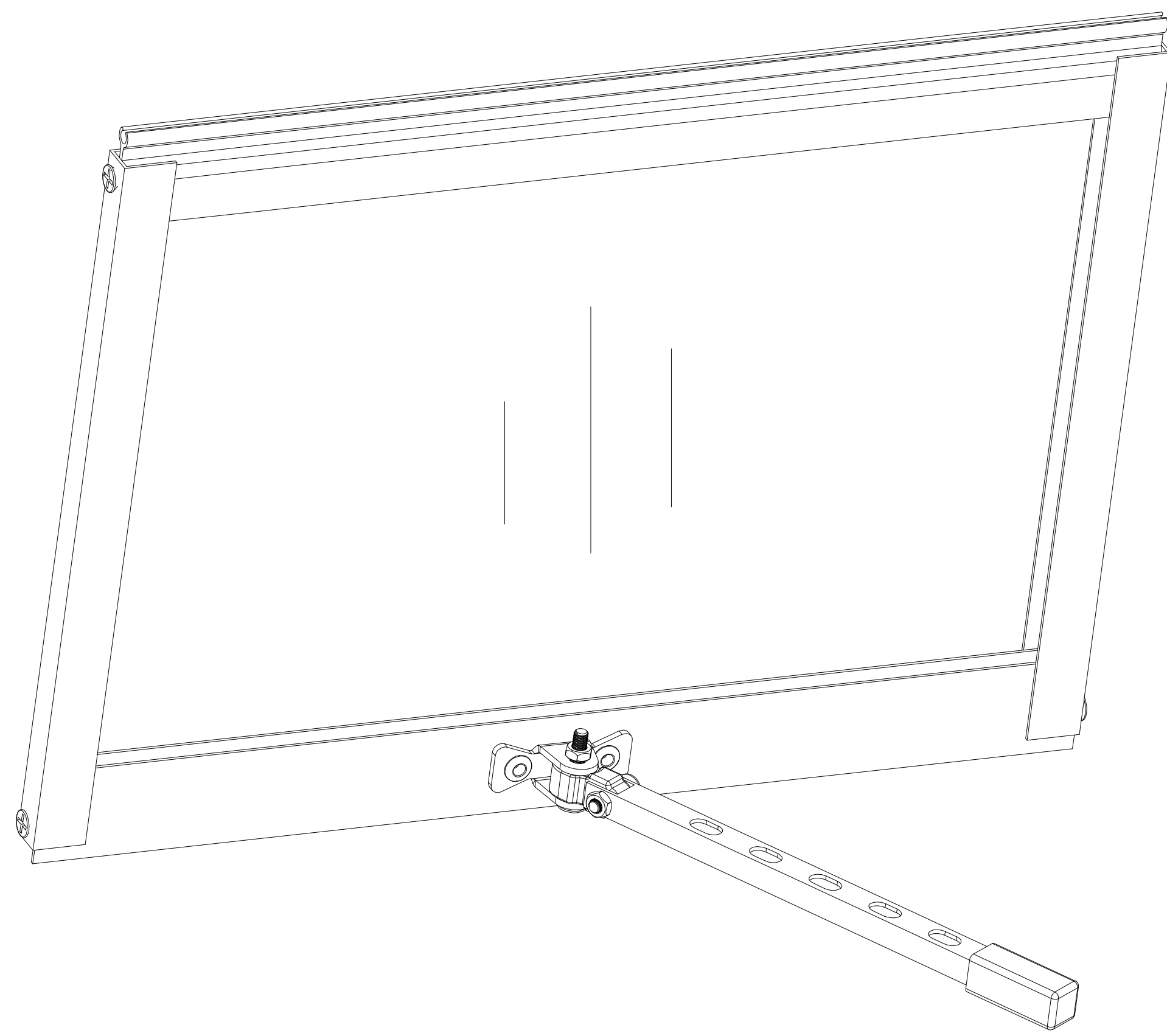
W2x4



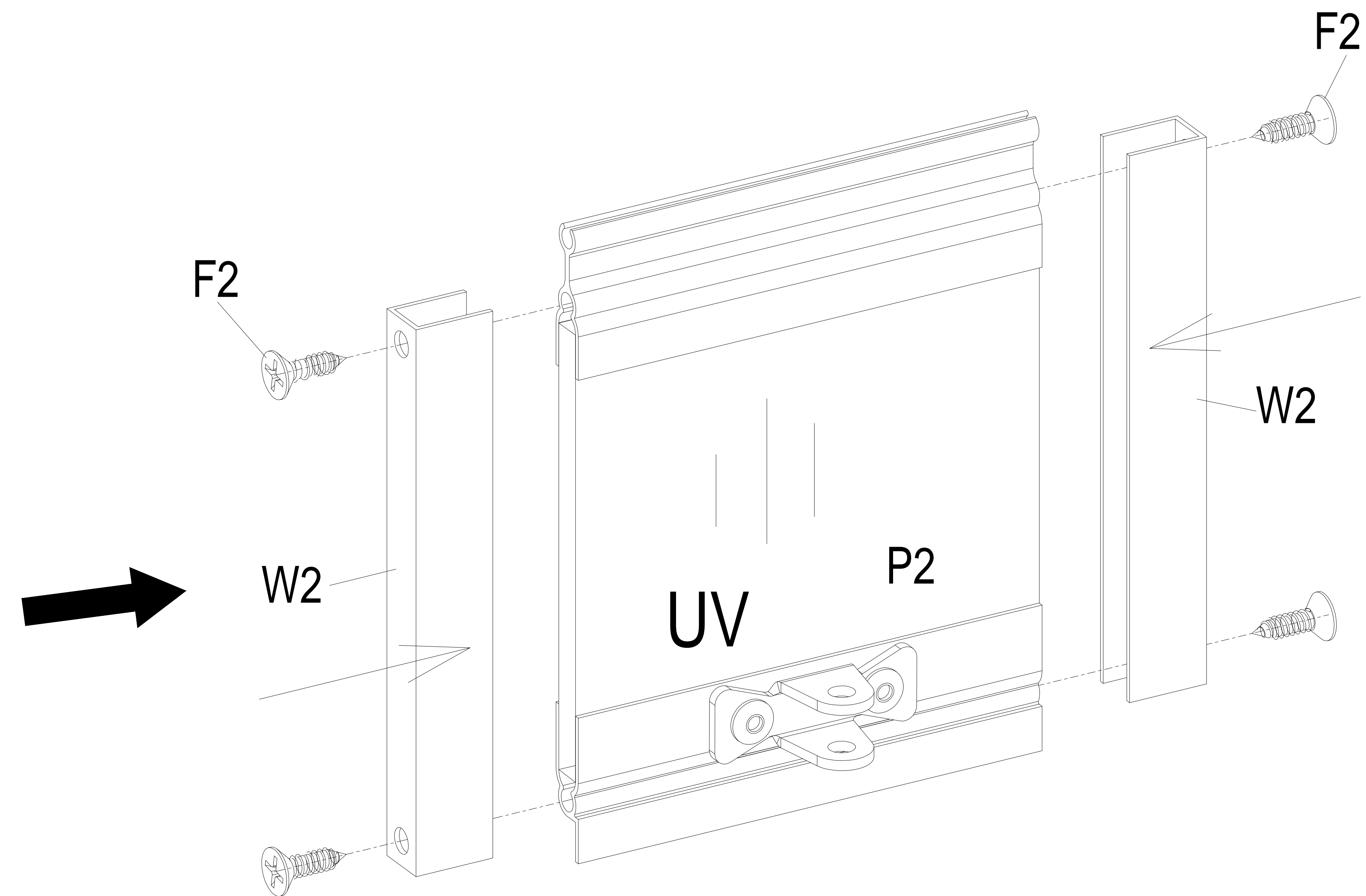
(ST4.8x16)  
F3 x8



WINDOW x2

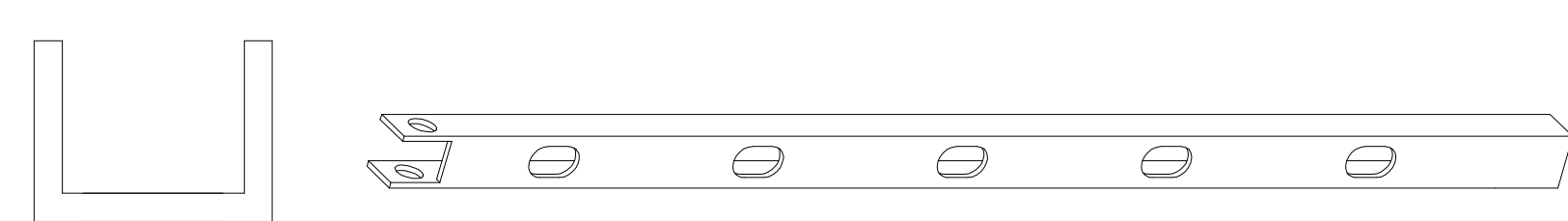


x2

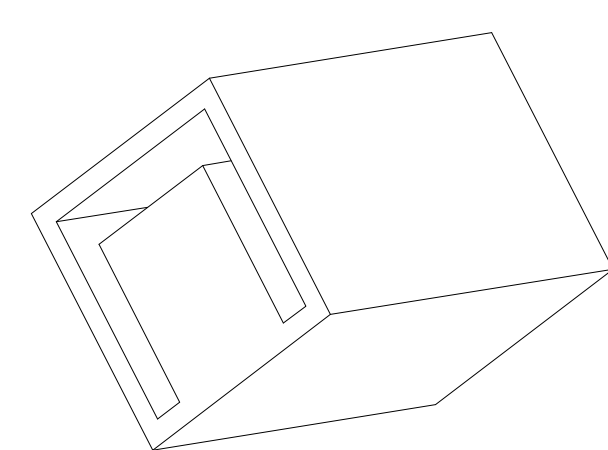


# Window

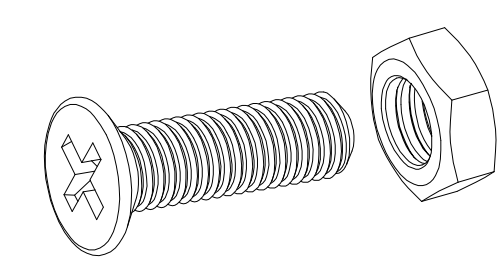
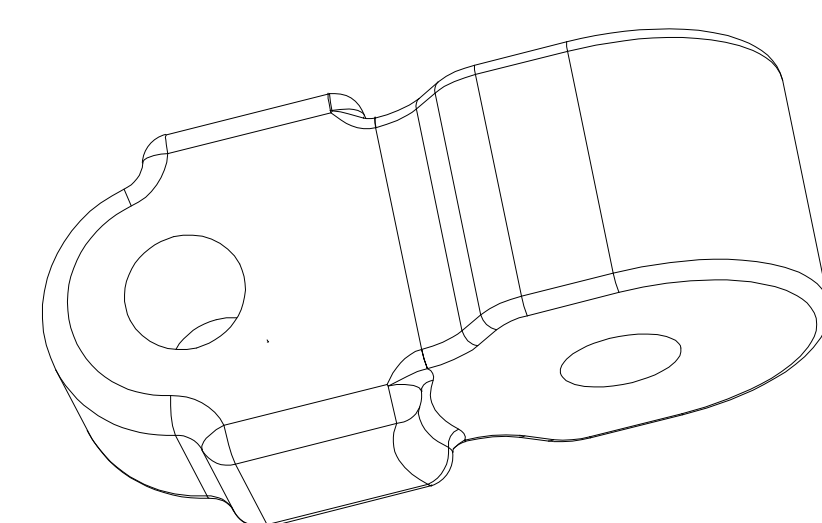
W4x2



S7 x2

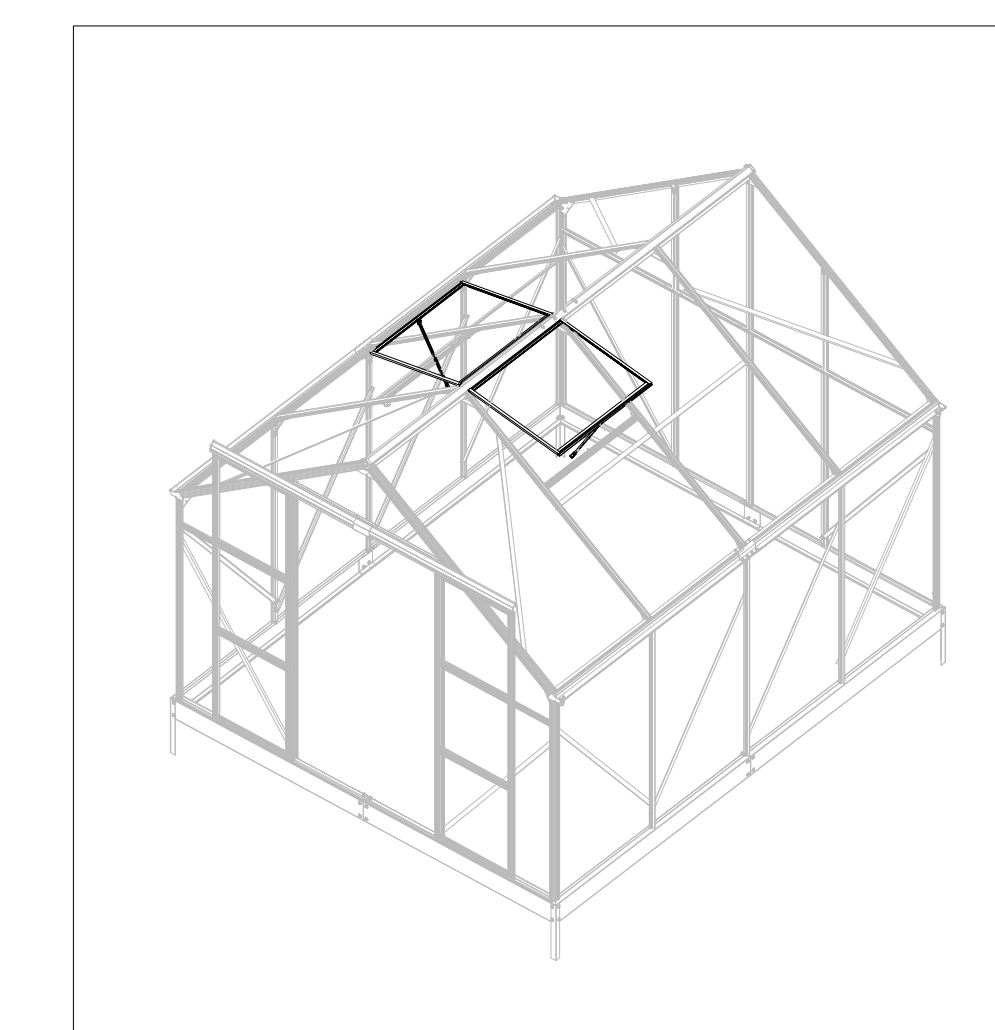


S8 x2

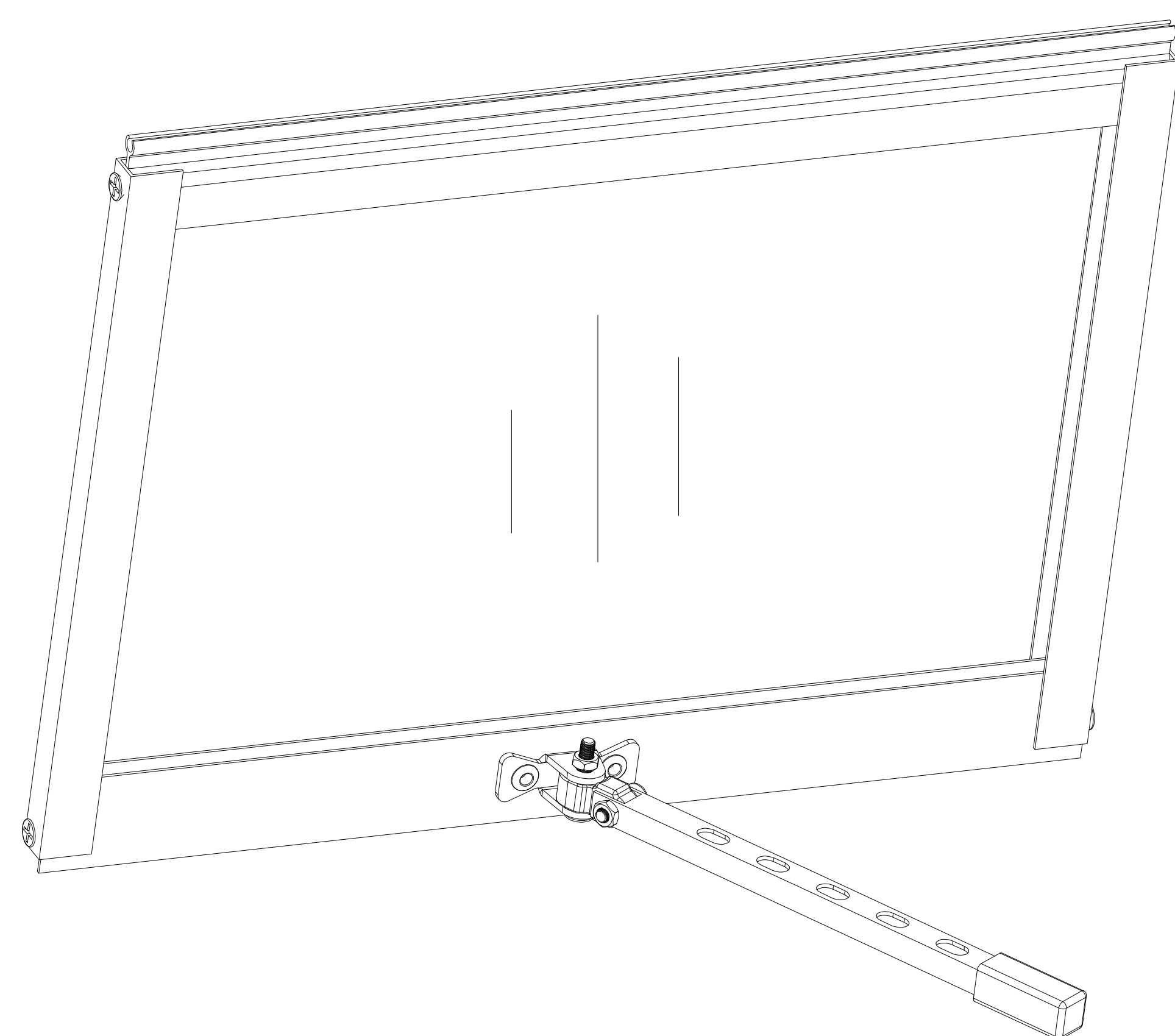


(M4x20)

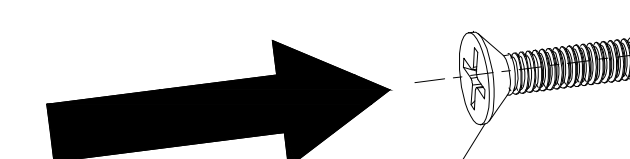
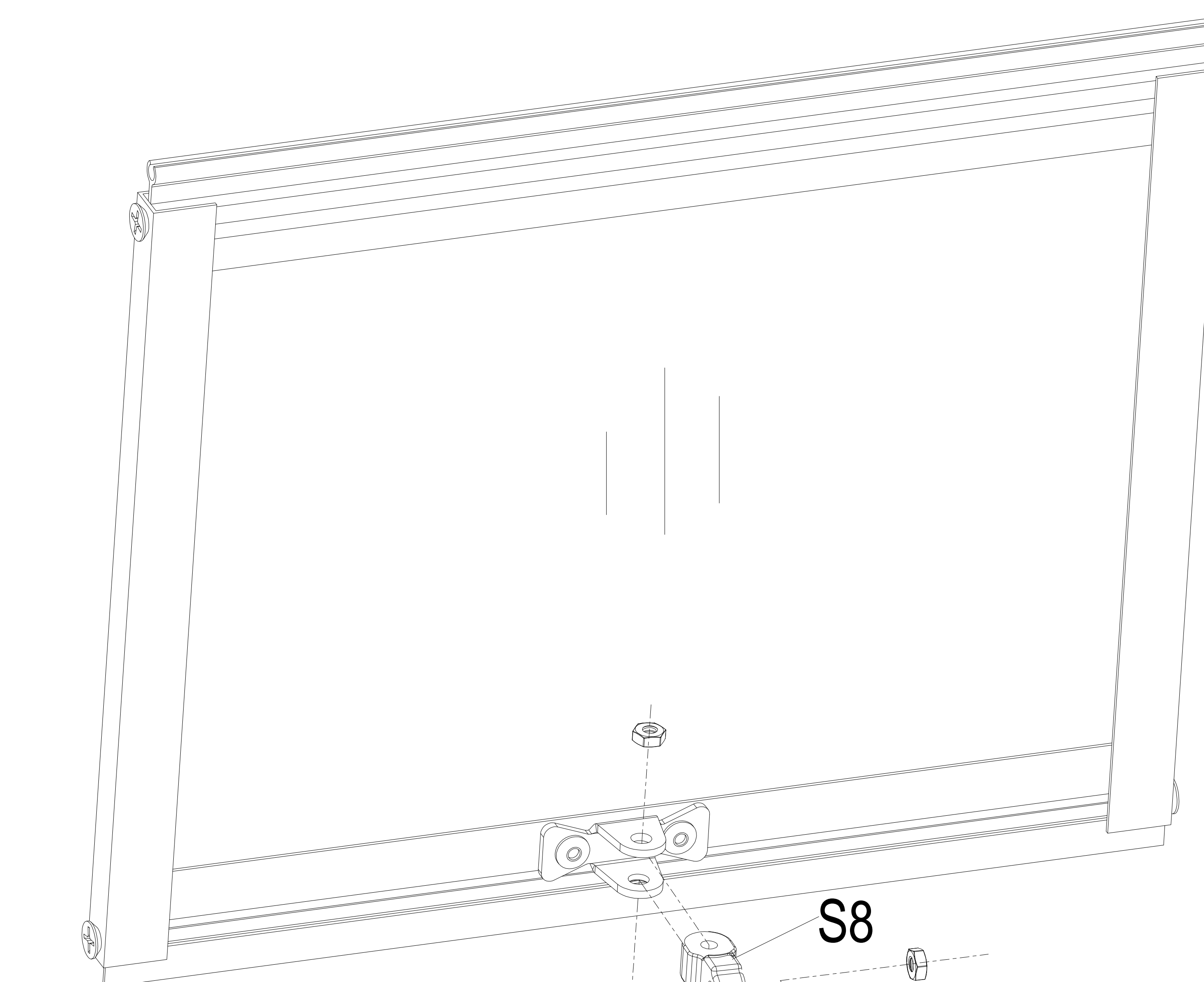
F8x4



WINDOW x2



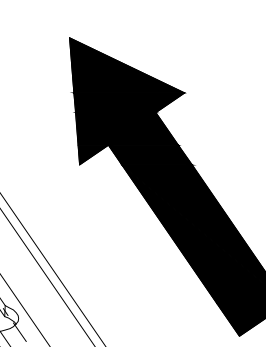
x2



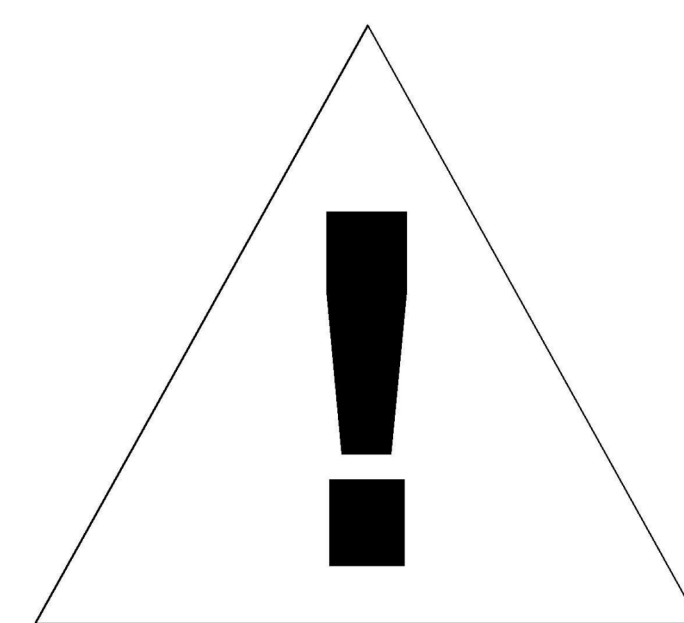
F8

F8

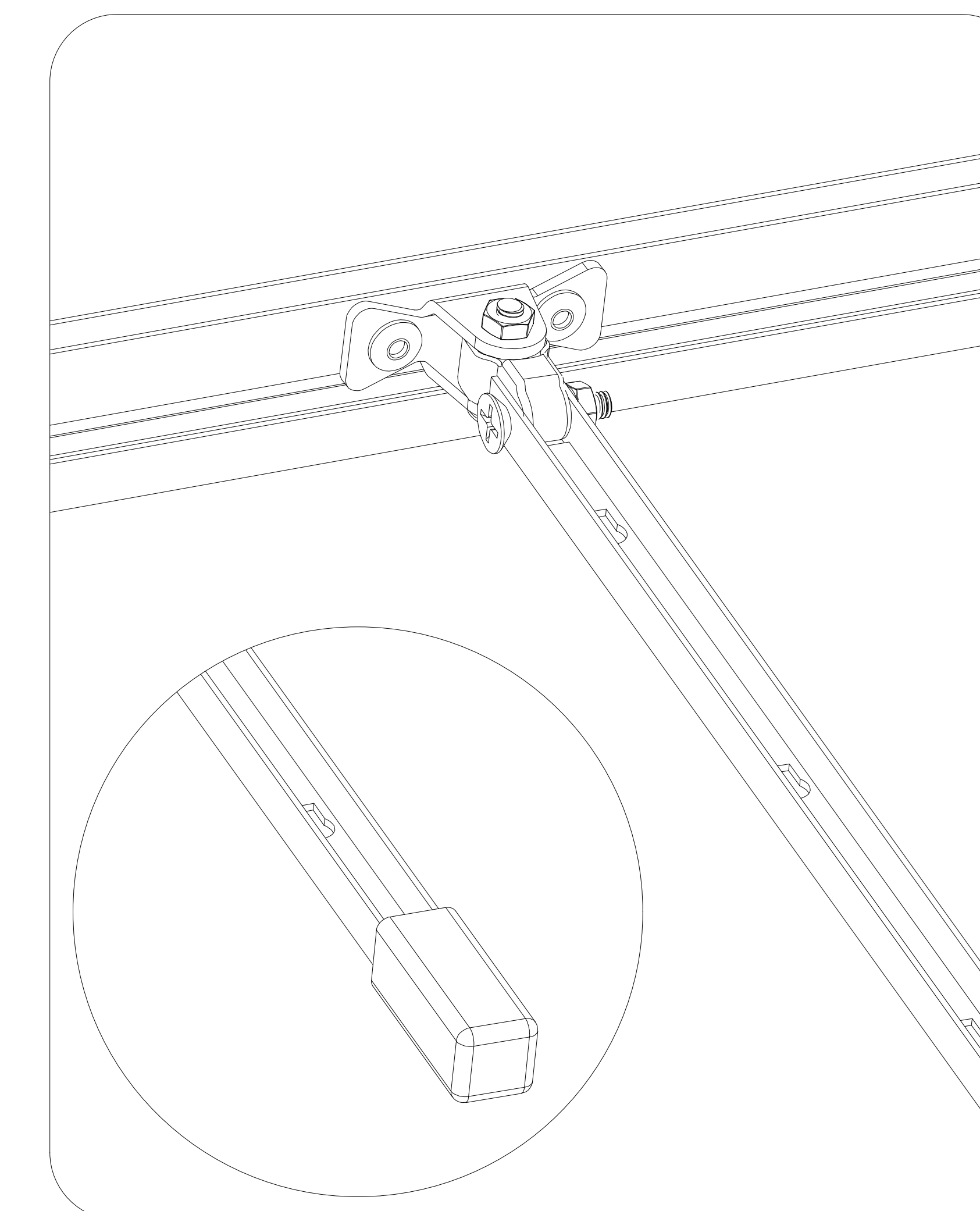
W4



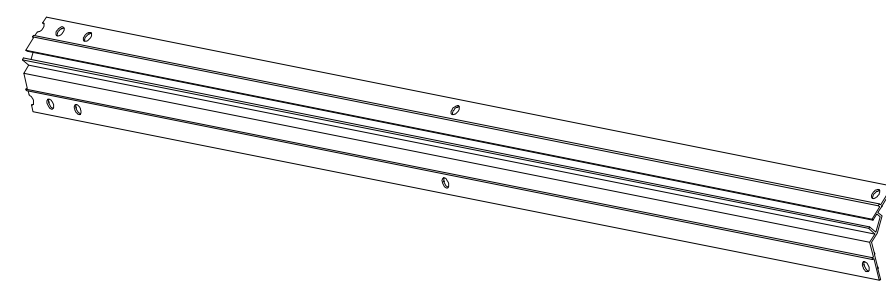
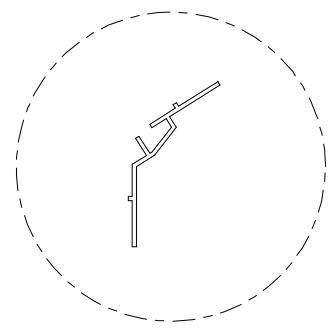
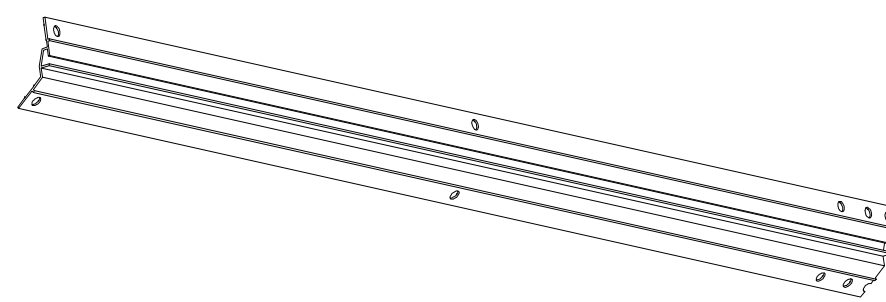
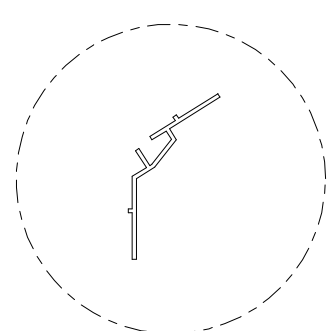
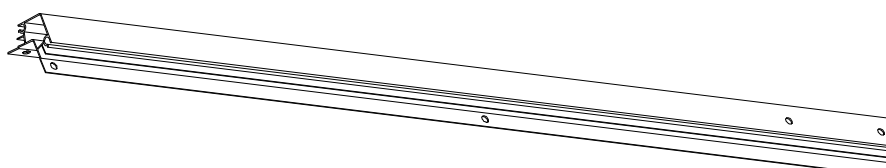
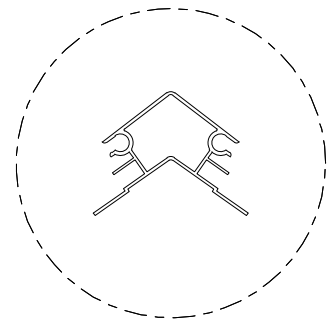
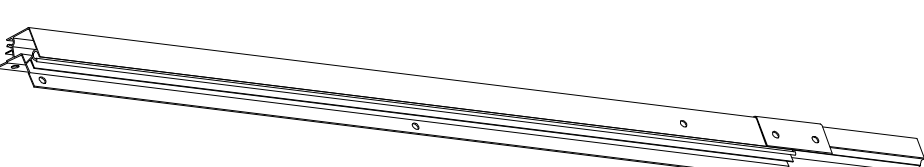
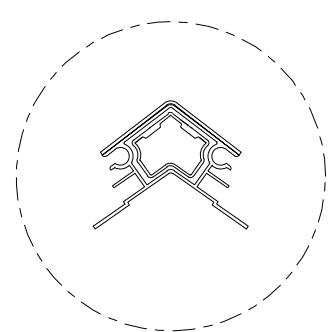
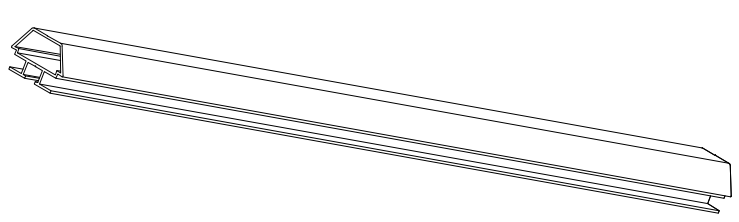
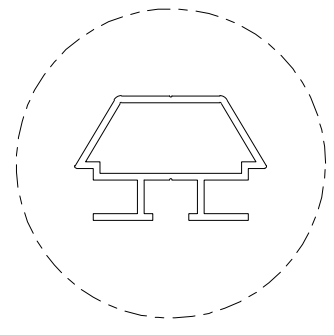
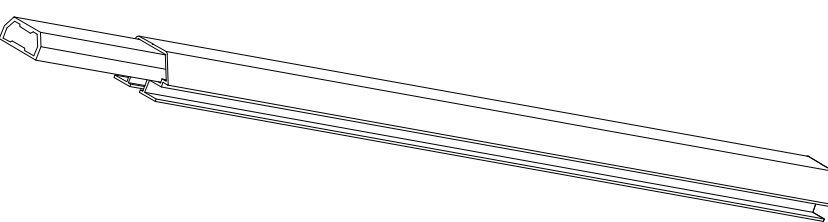
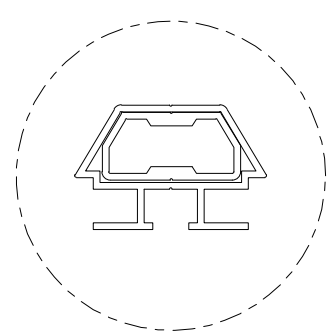
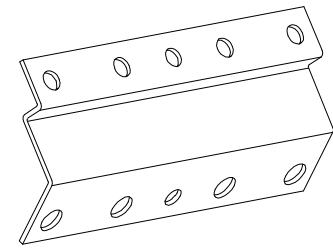
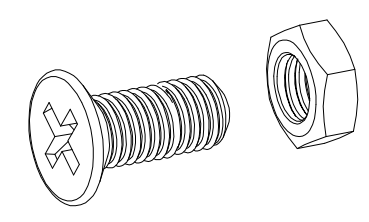
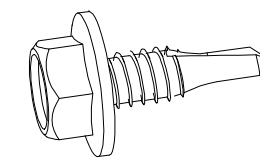
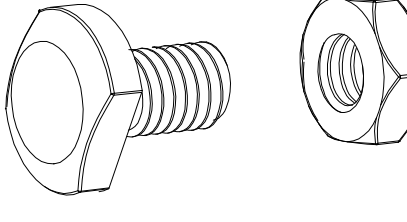
S7



The strut W4 which has groove needs face up

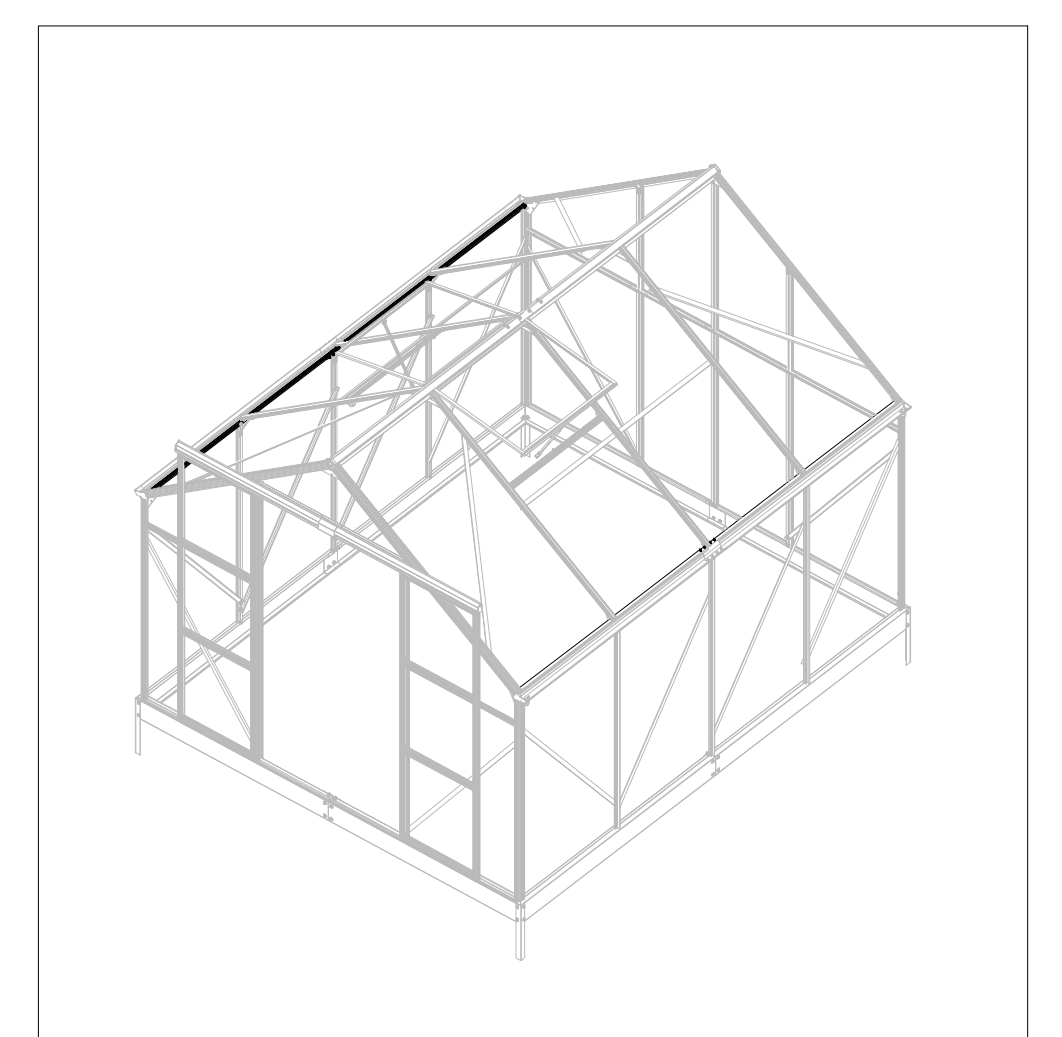
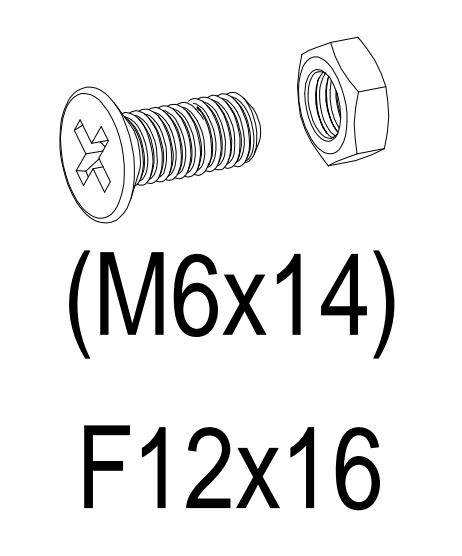
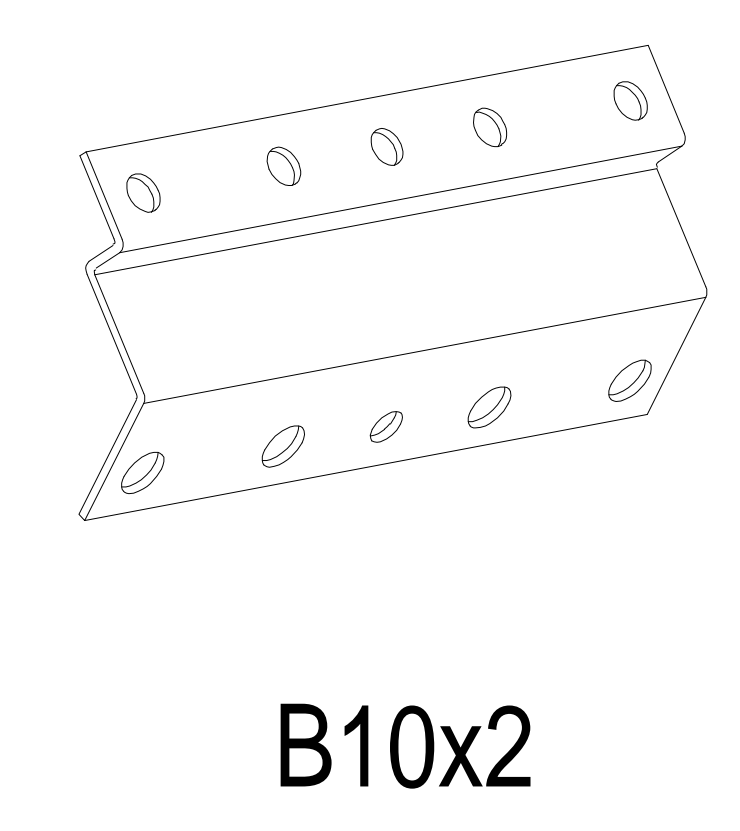
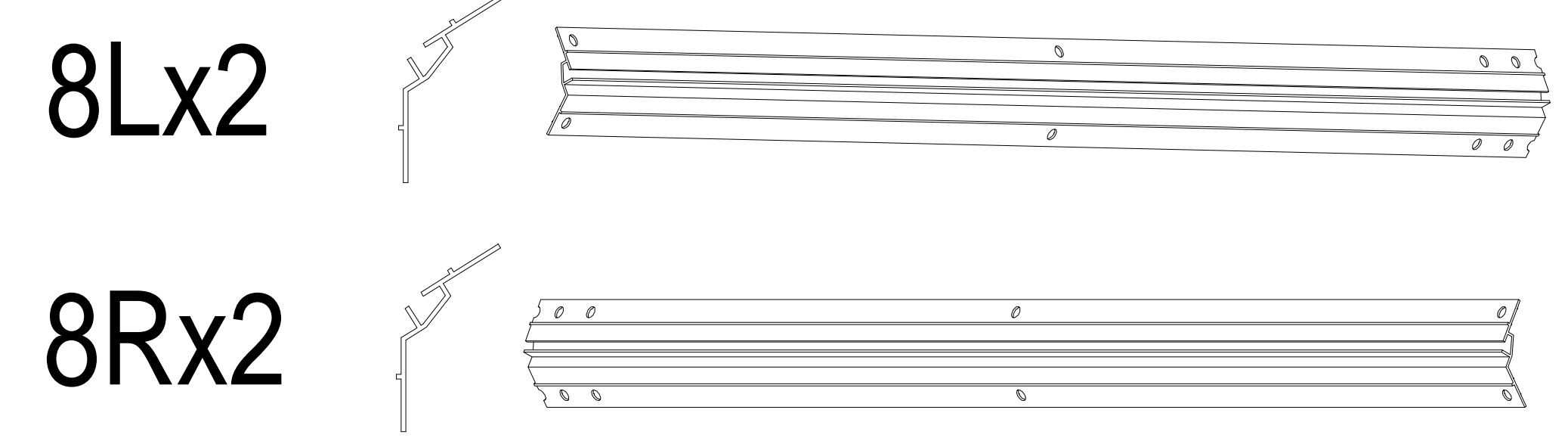


# Support Parts

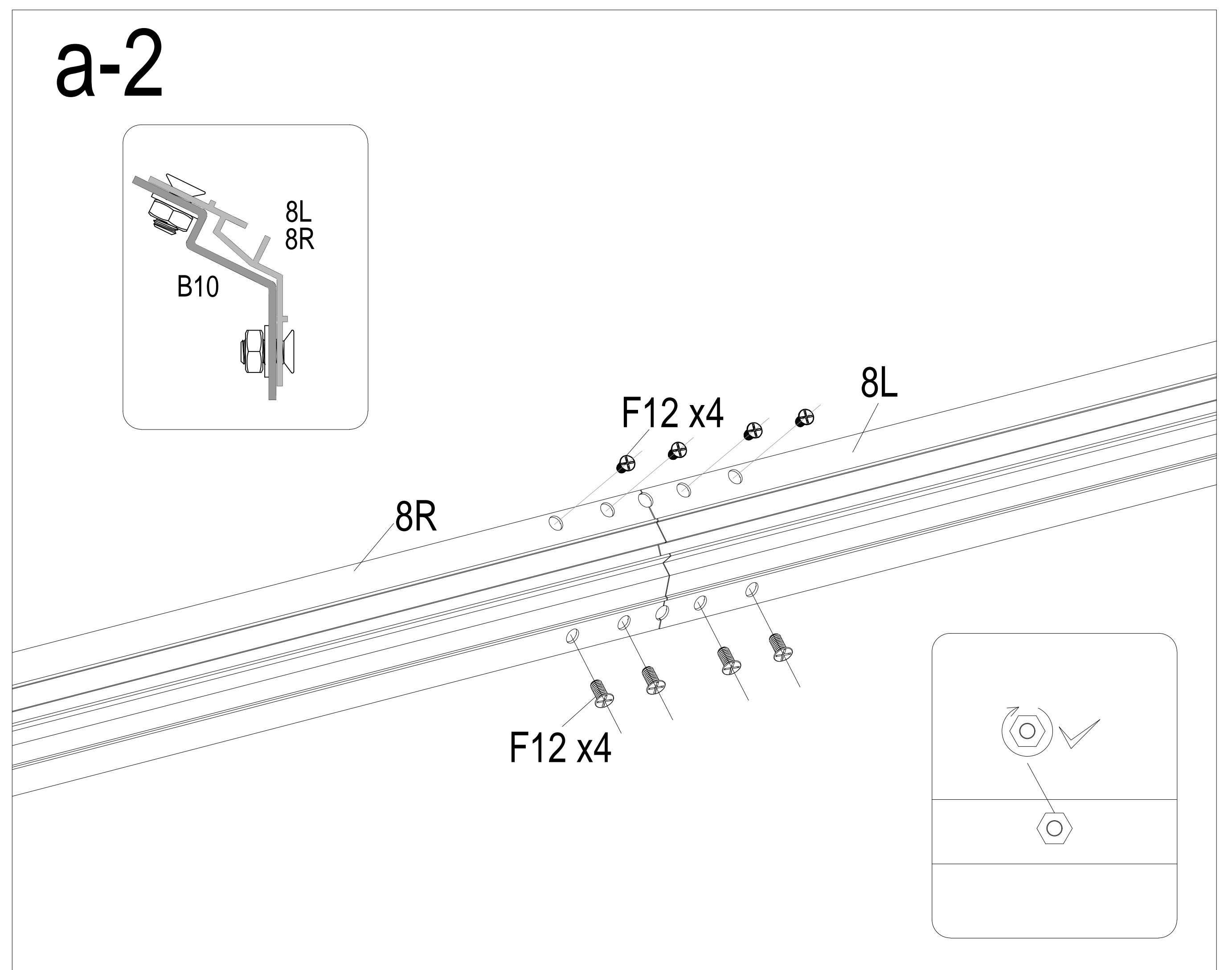
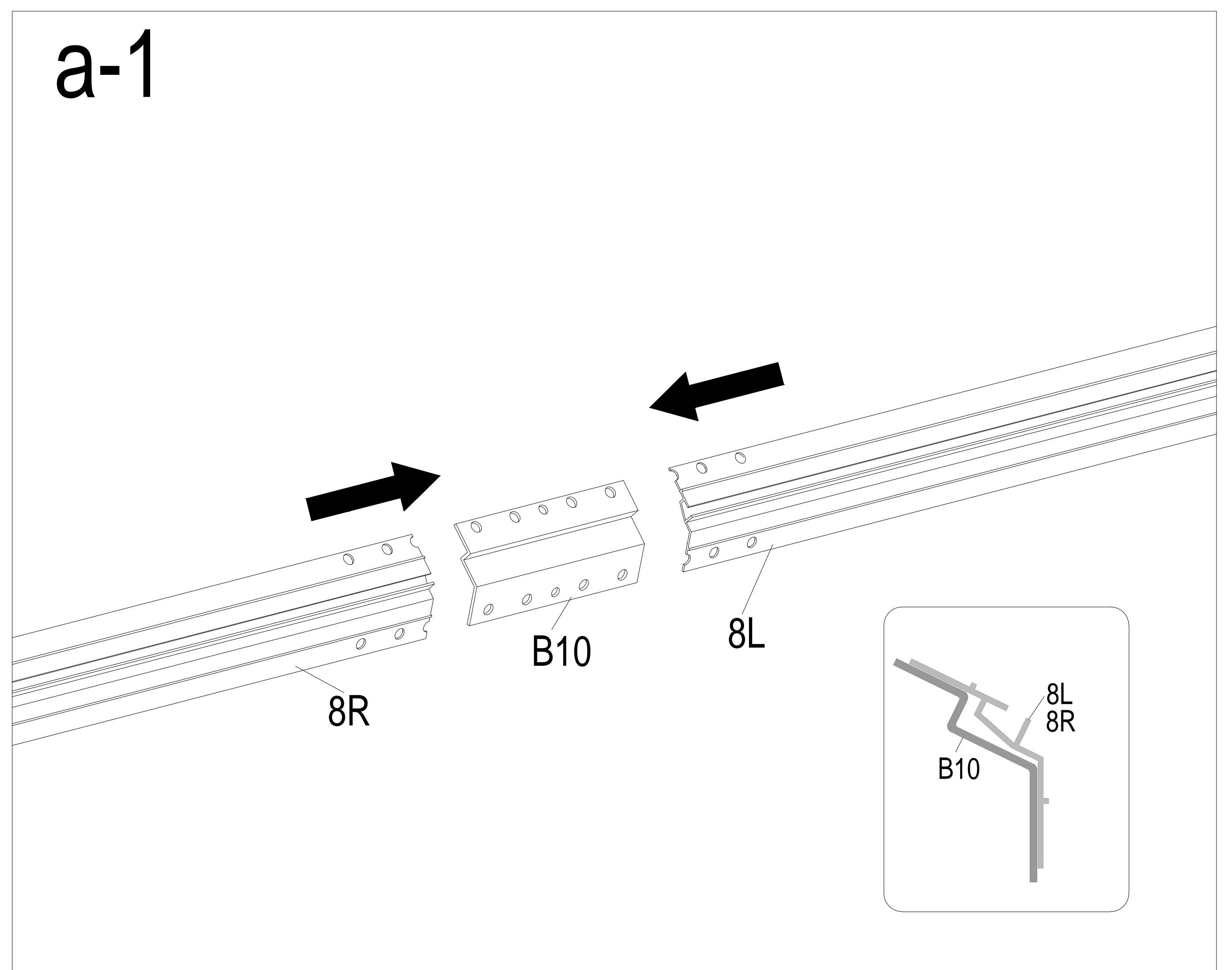
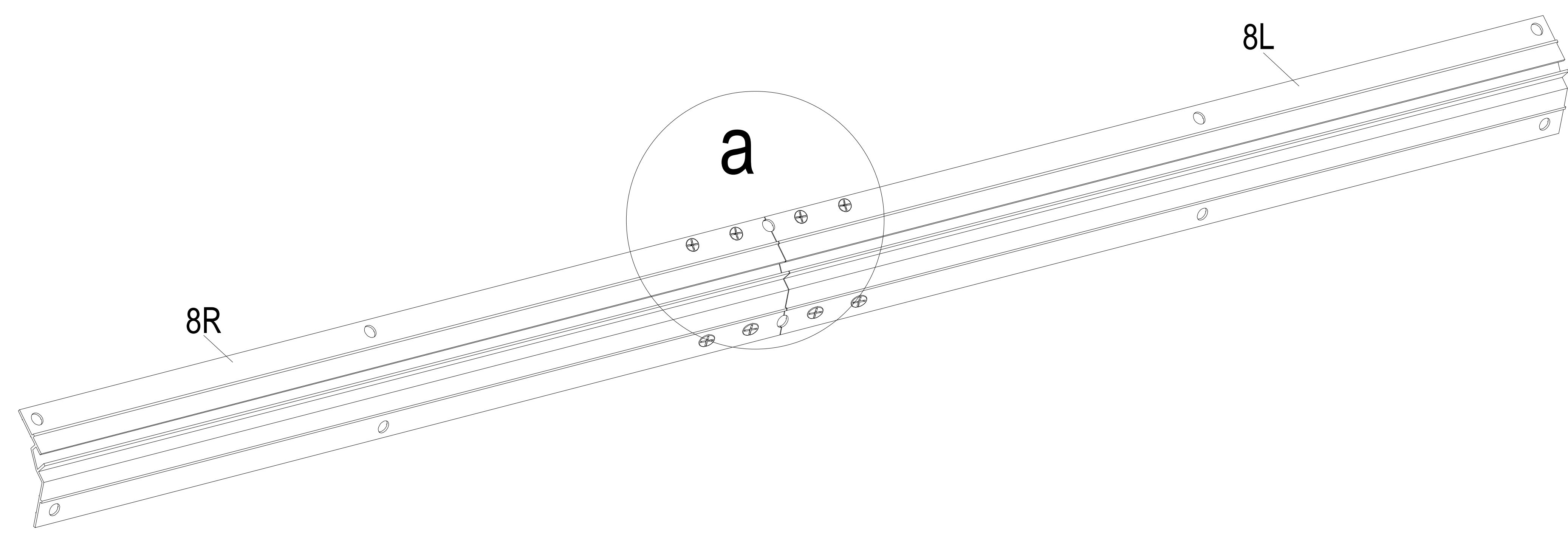
Item		Qty		MM	Item	Qty	MM
8L		2 PCS		1441			
8R		2 PCS		1441			
17		1 PCS		1441			
17-1		1 PCS		1591			
11-1		1 PCS		1117			
11-2		1 PCS		1117			
B10		2 PCS					
F12		16 PCS		M6x14			
F3		6 PCS		ST4.8x12			
F4		30 PCS		M6x12			



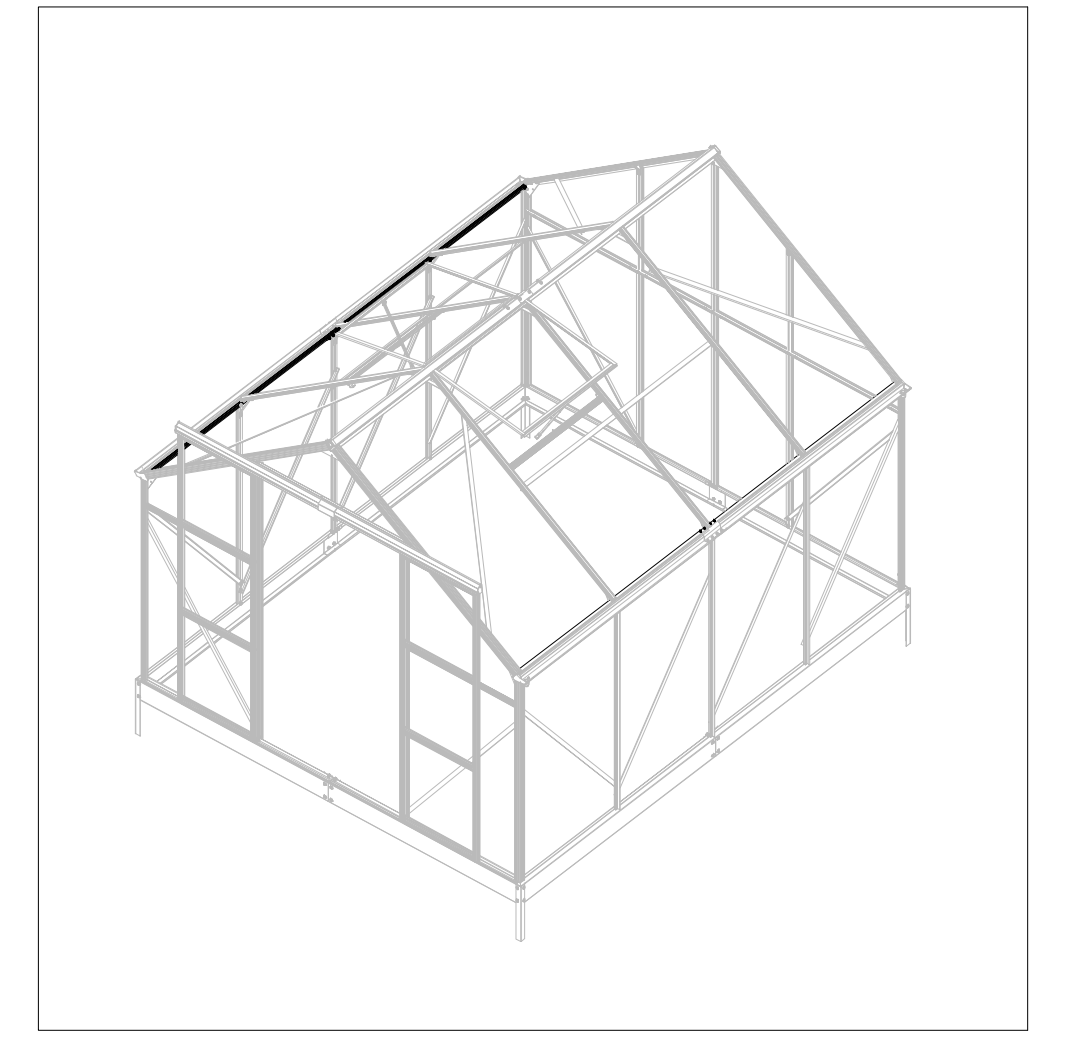
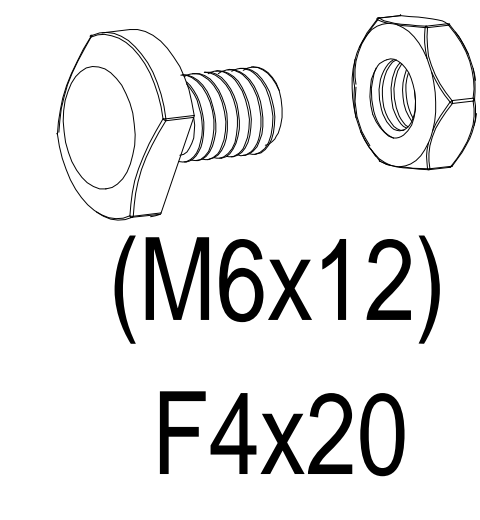
# Support Parts



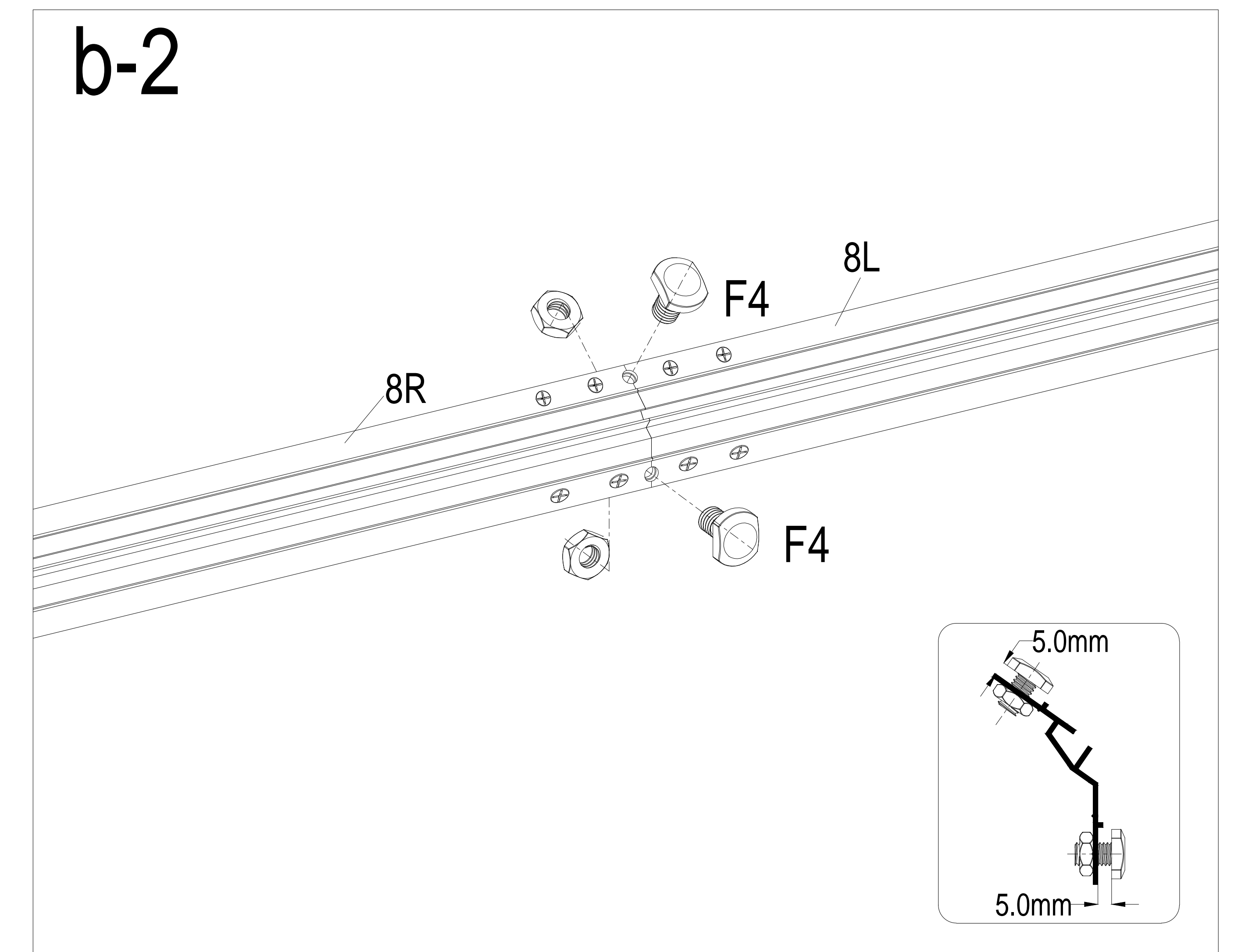
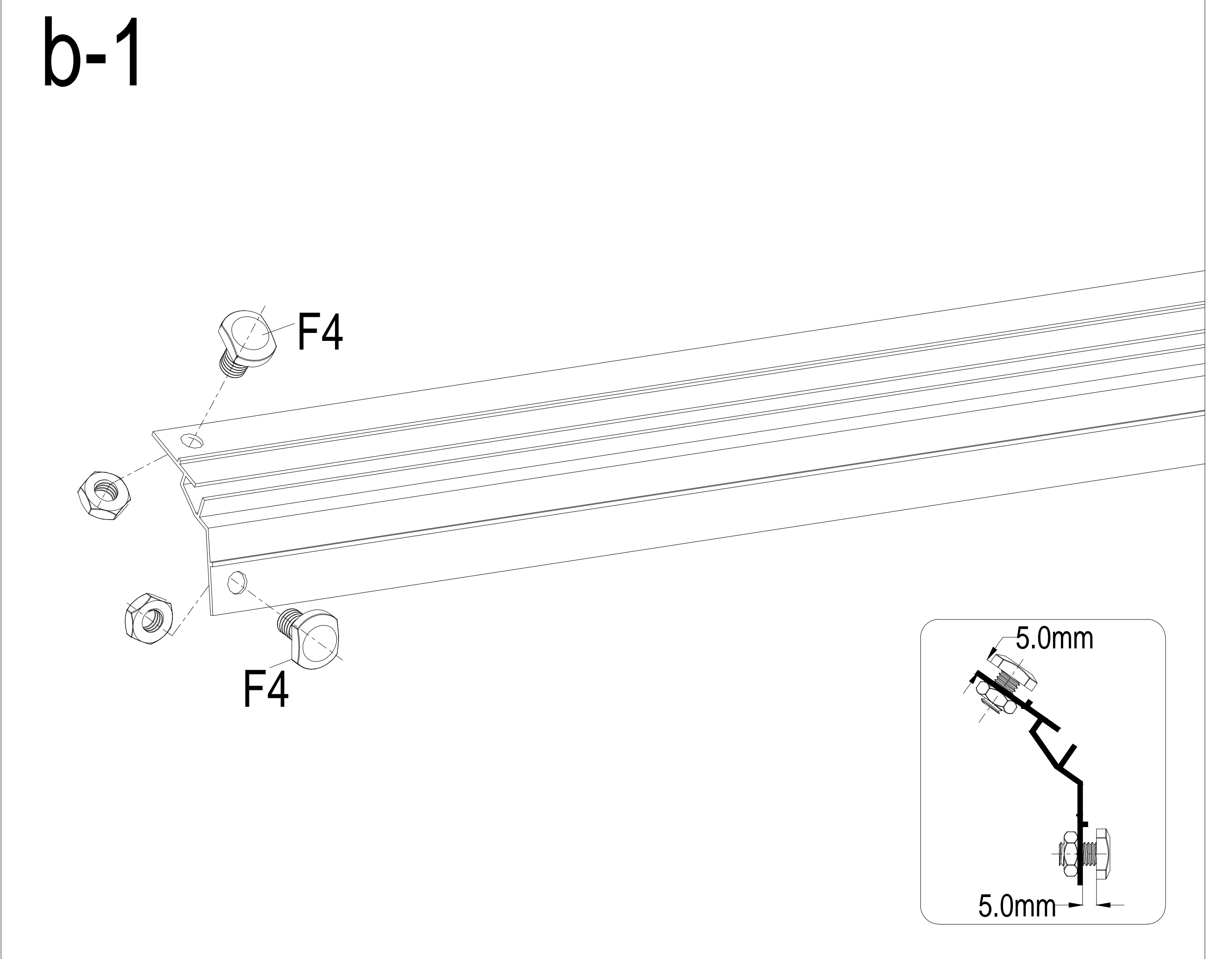
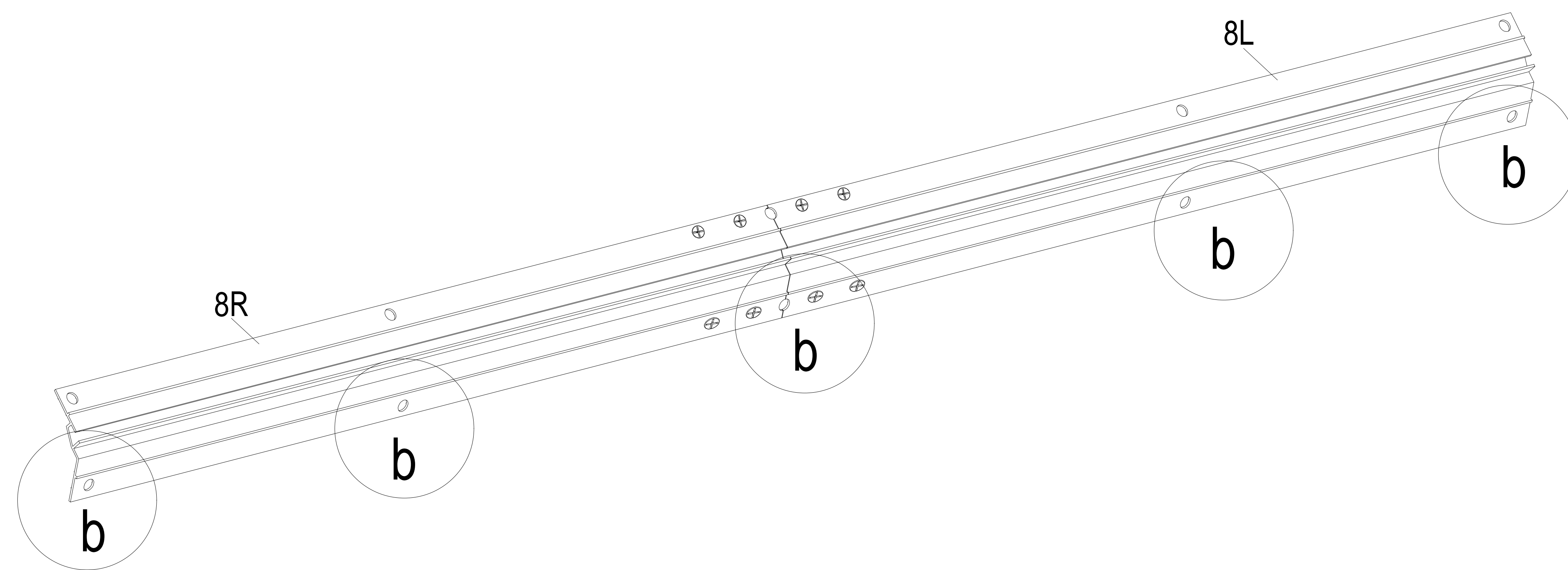
x2



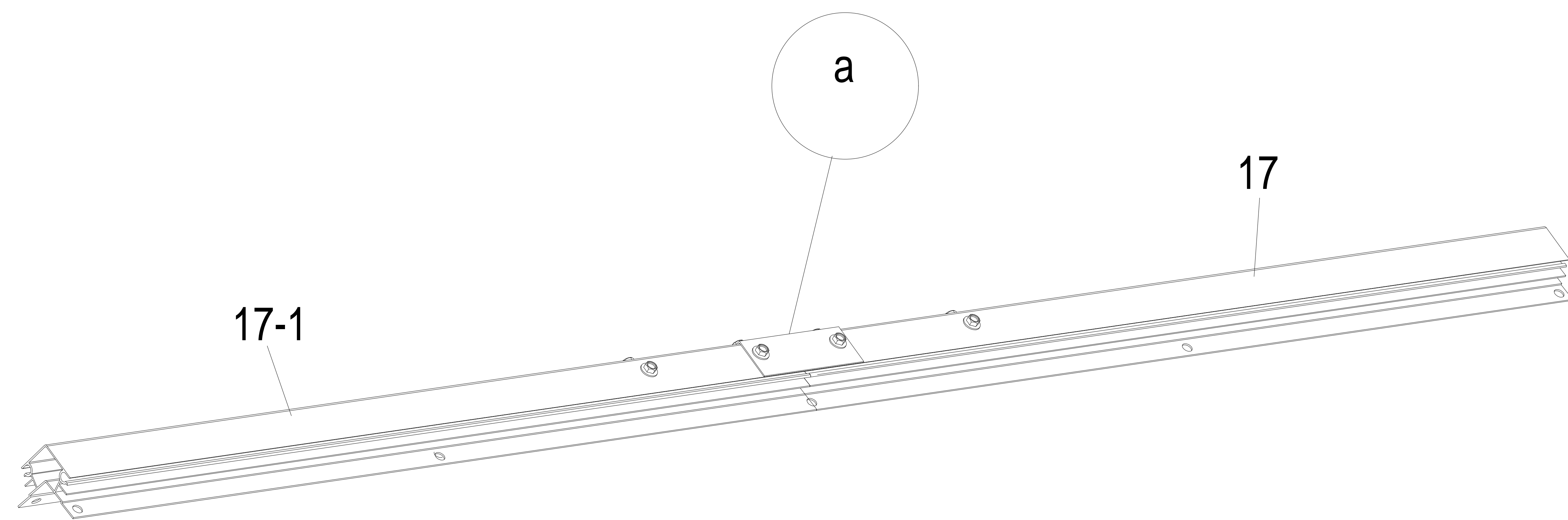
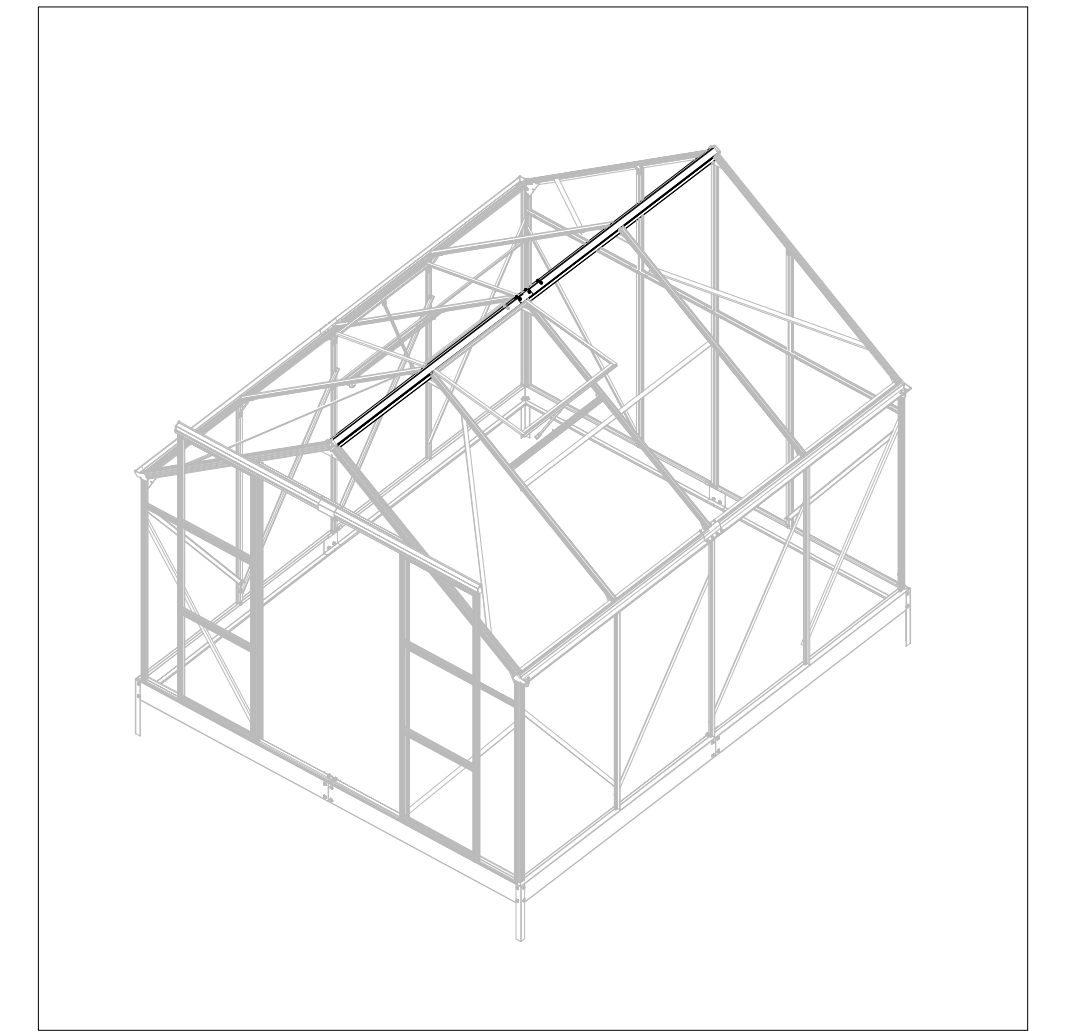
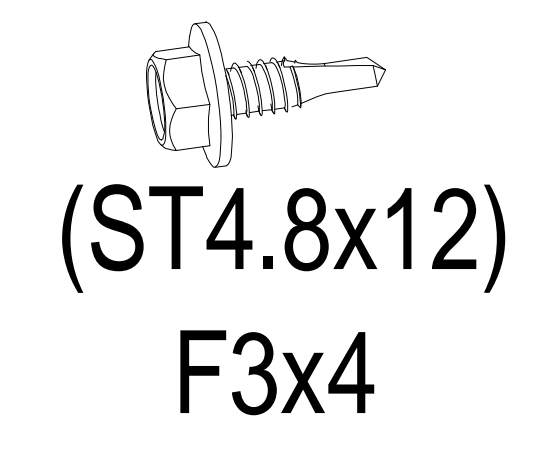
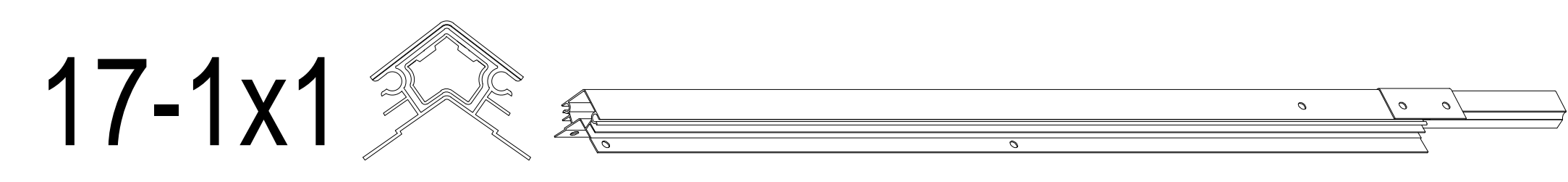
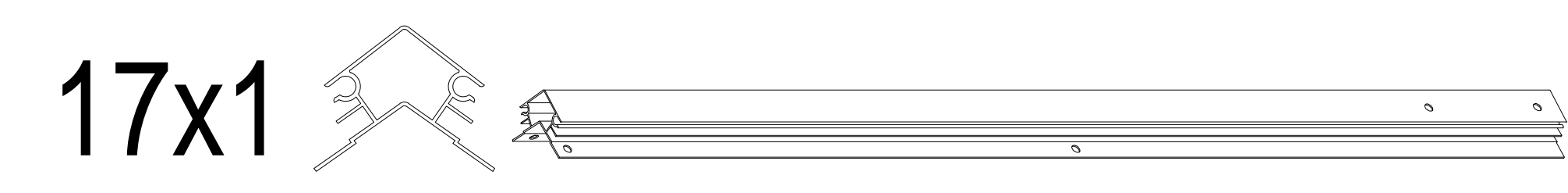
# Support Parts



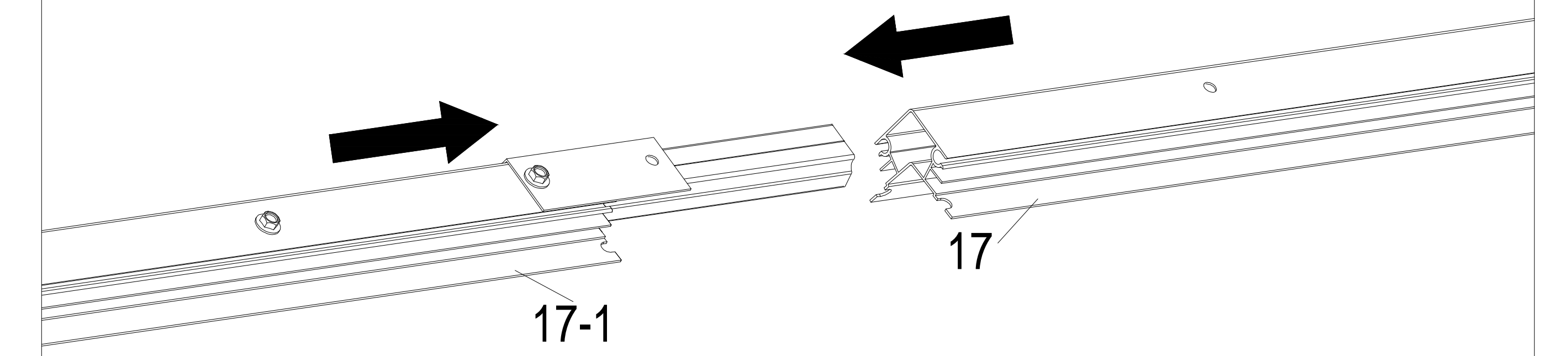
x2



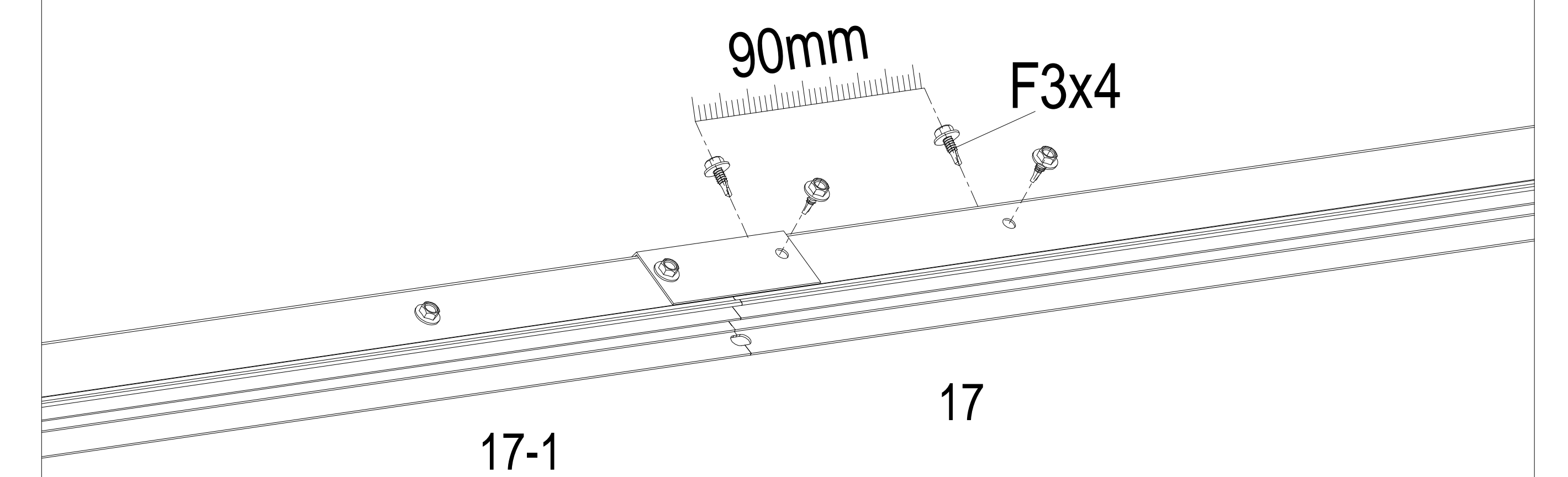
# Support Parts



a-1

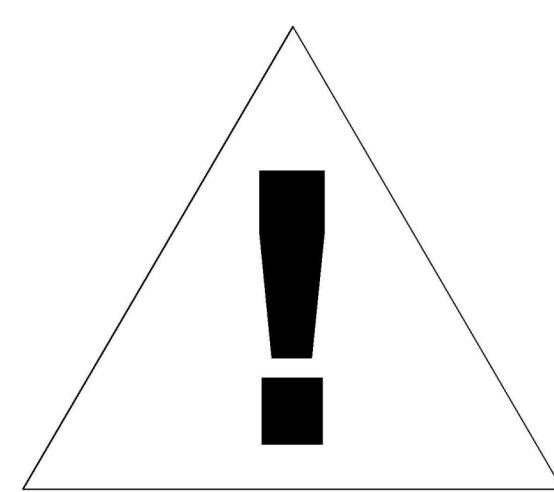
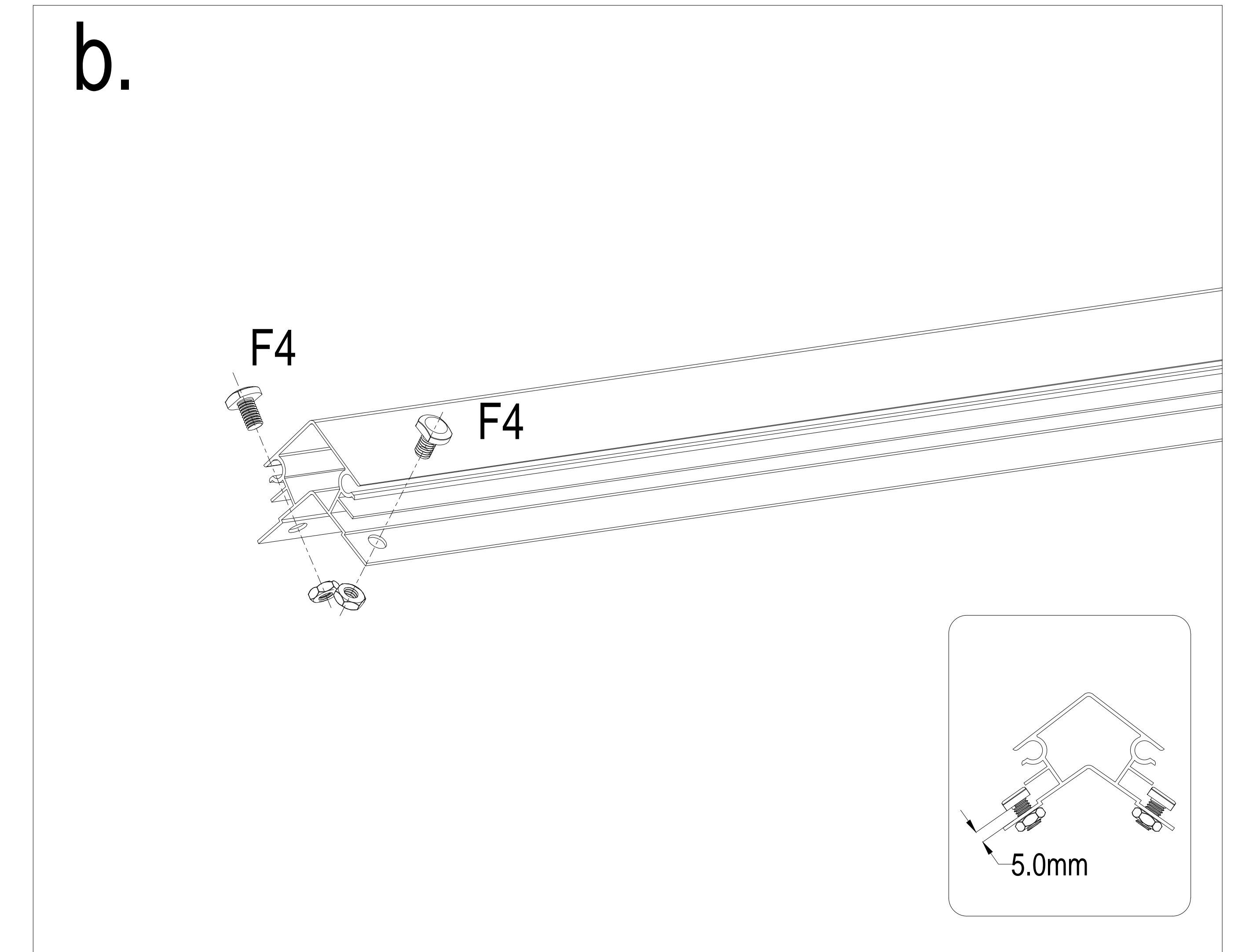
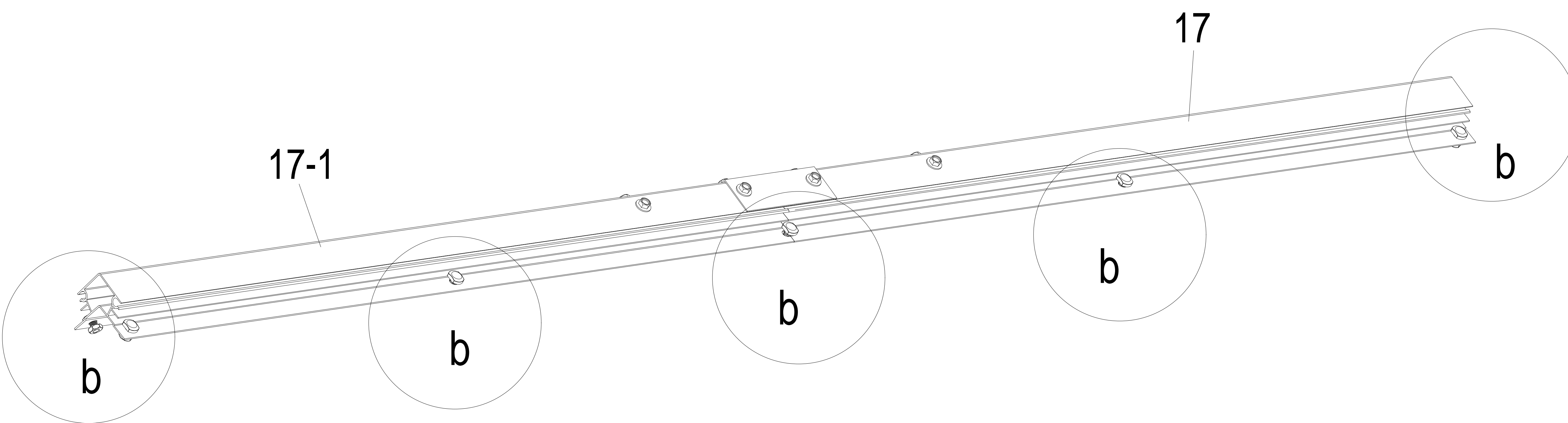
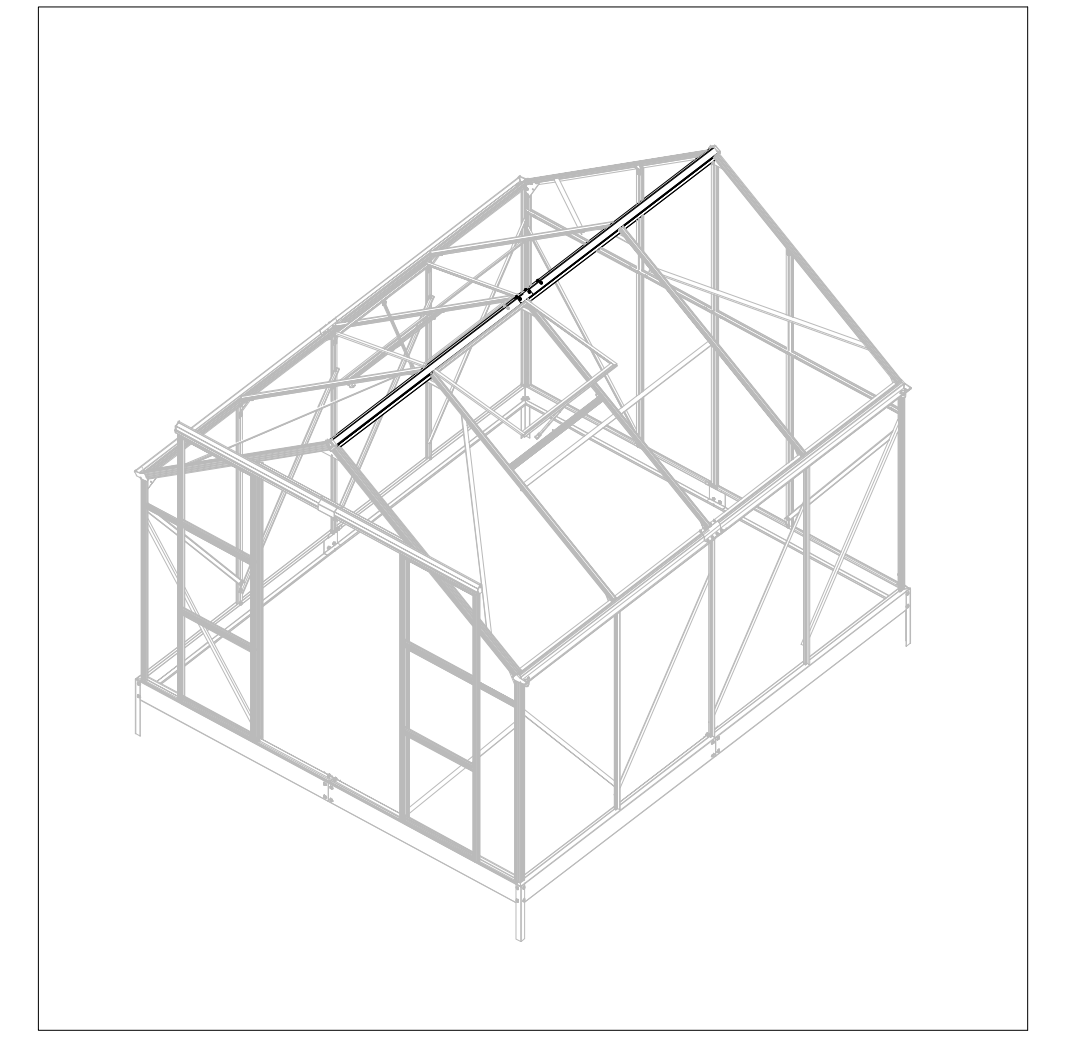
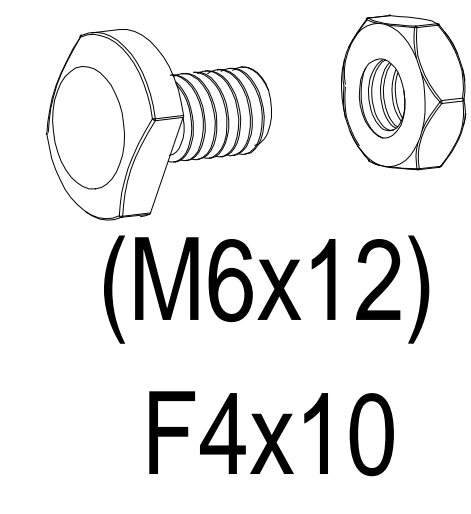


a-2





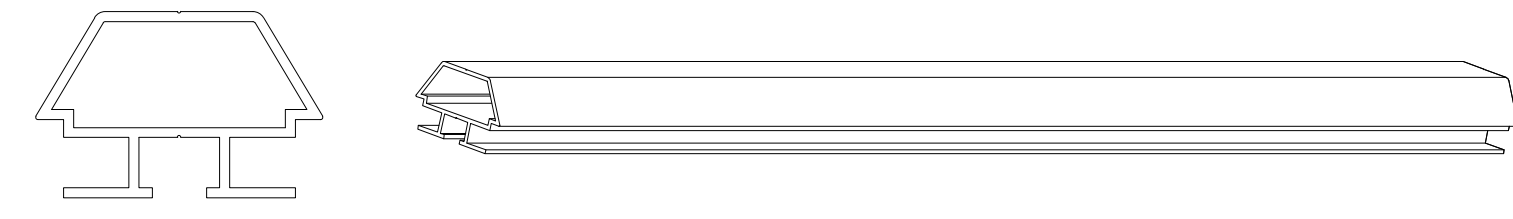
# Support Parts



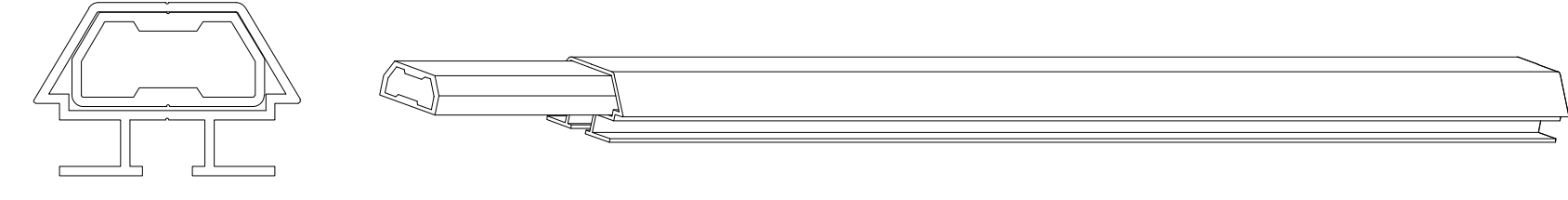
Do not lock up the screws at both ends

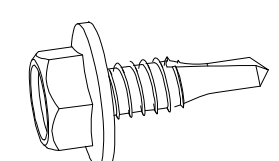
# Support Parts

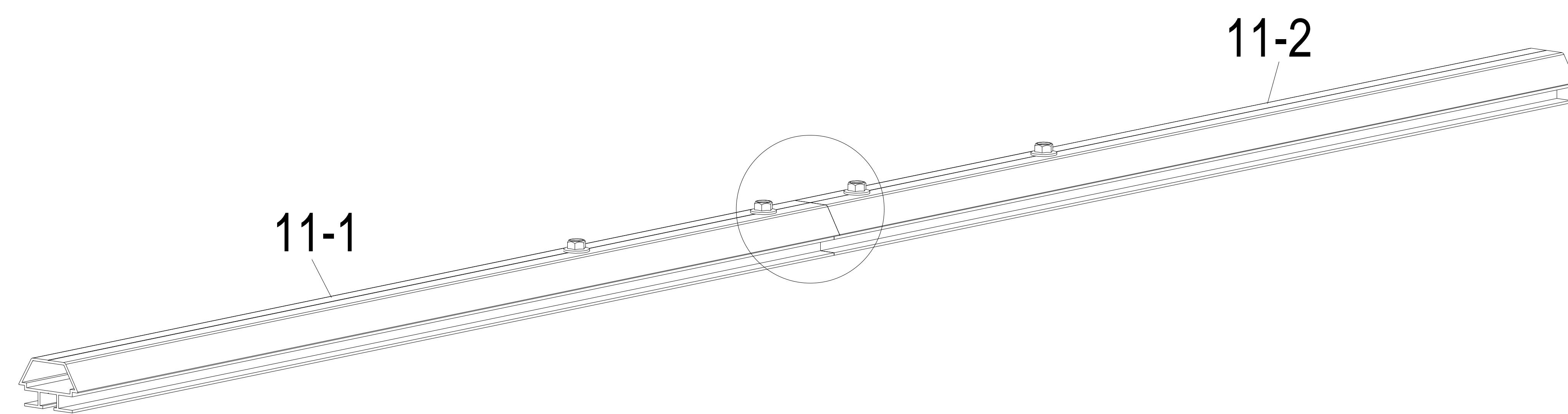
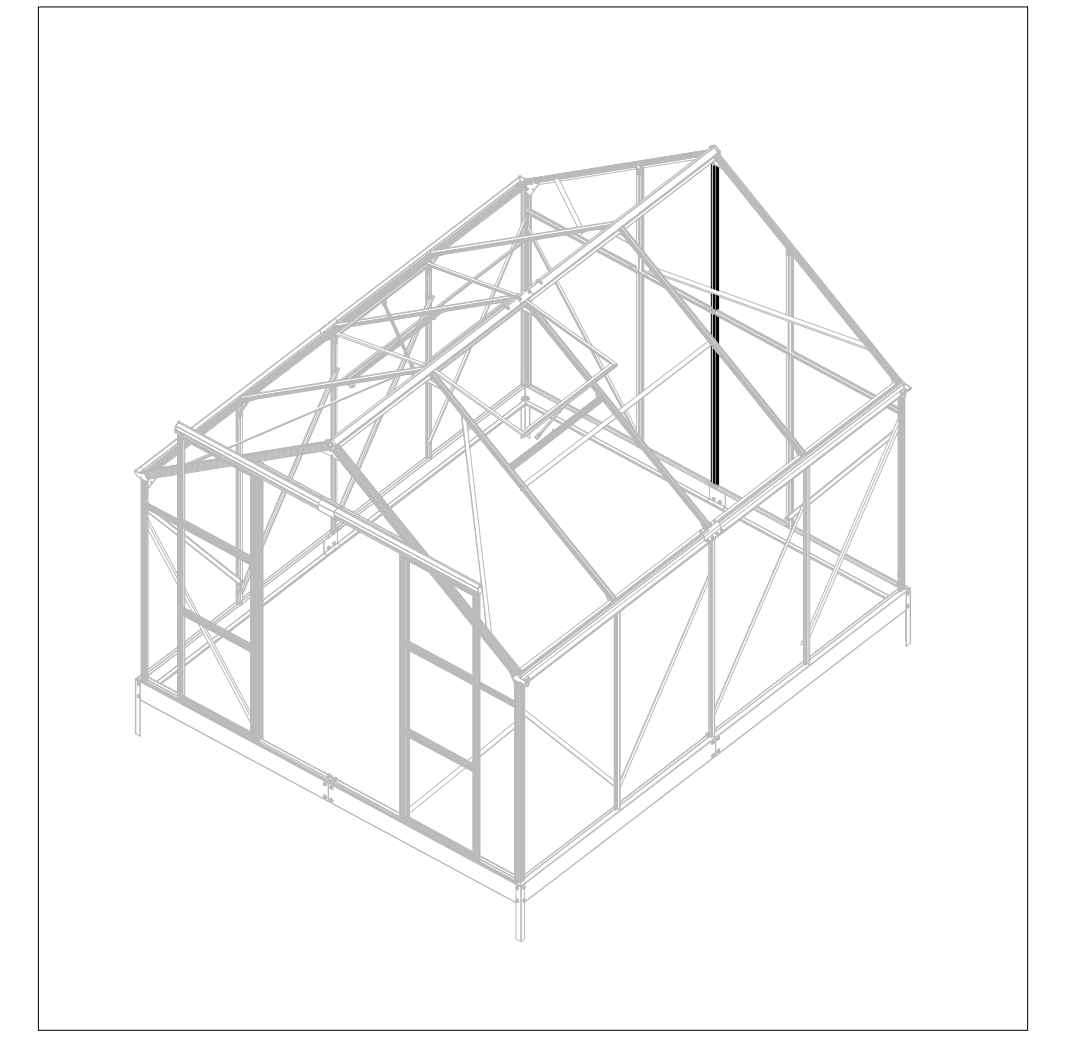
11-1x1



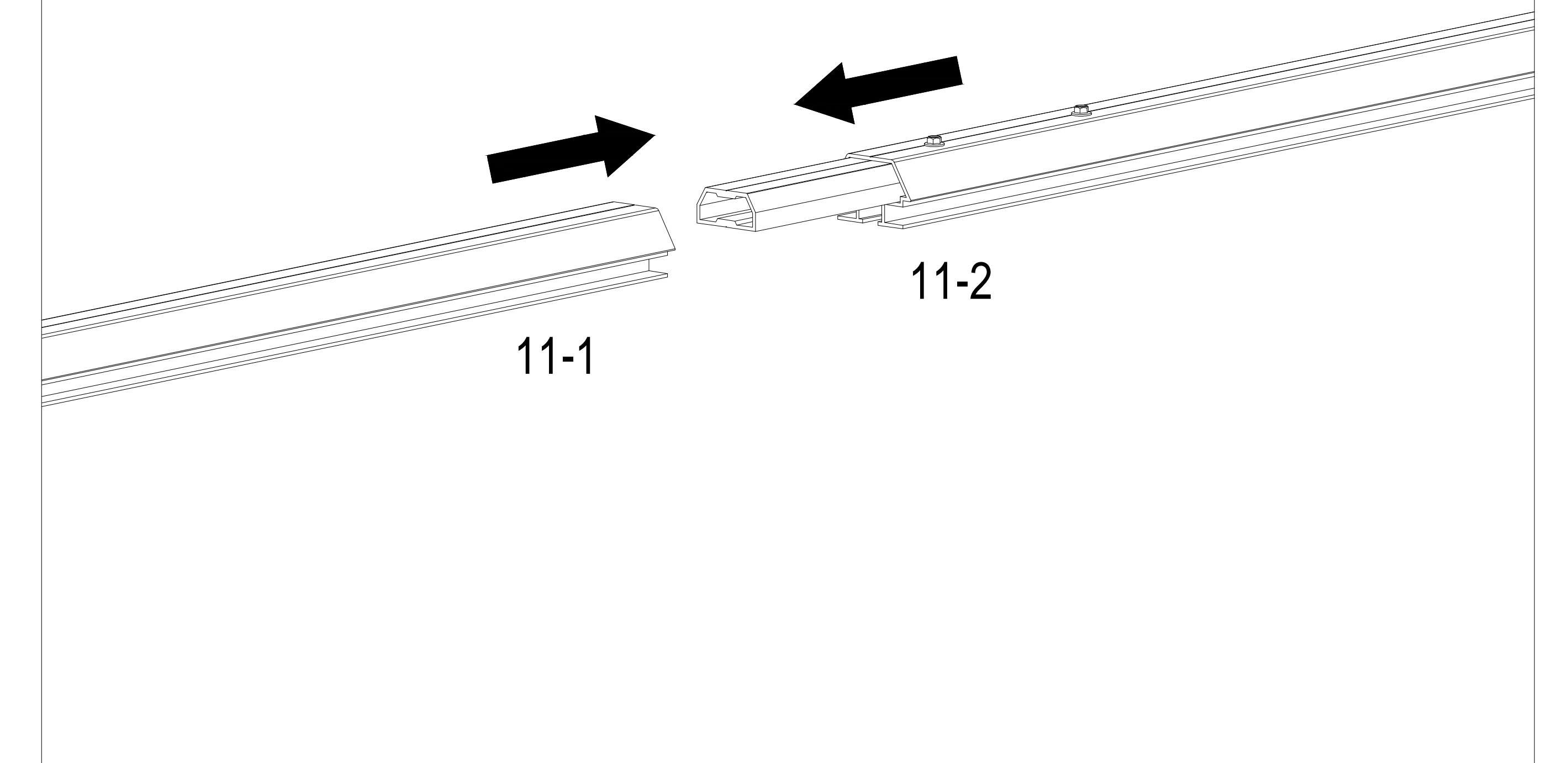
11-2x1



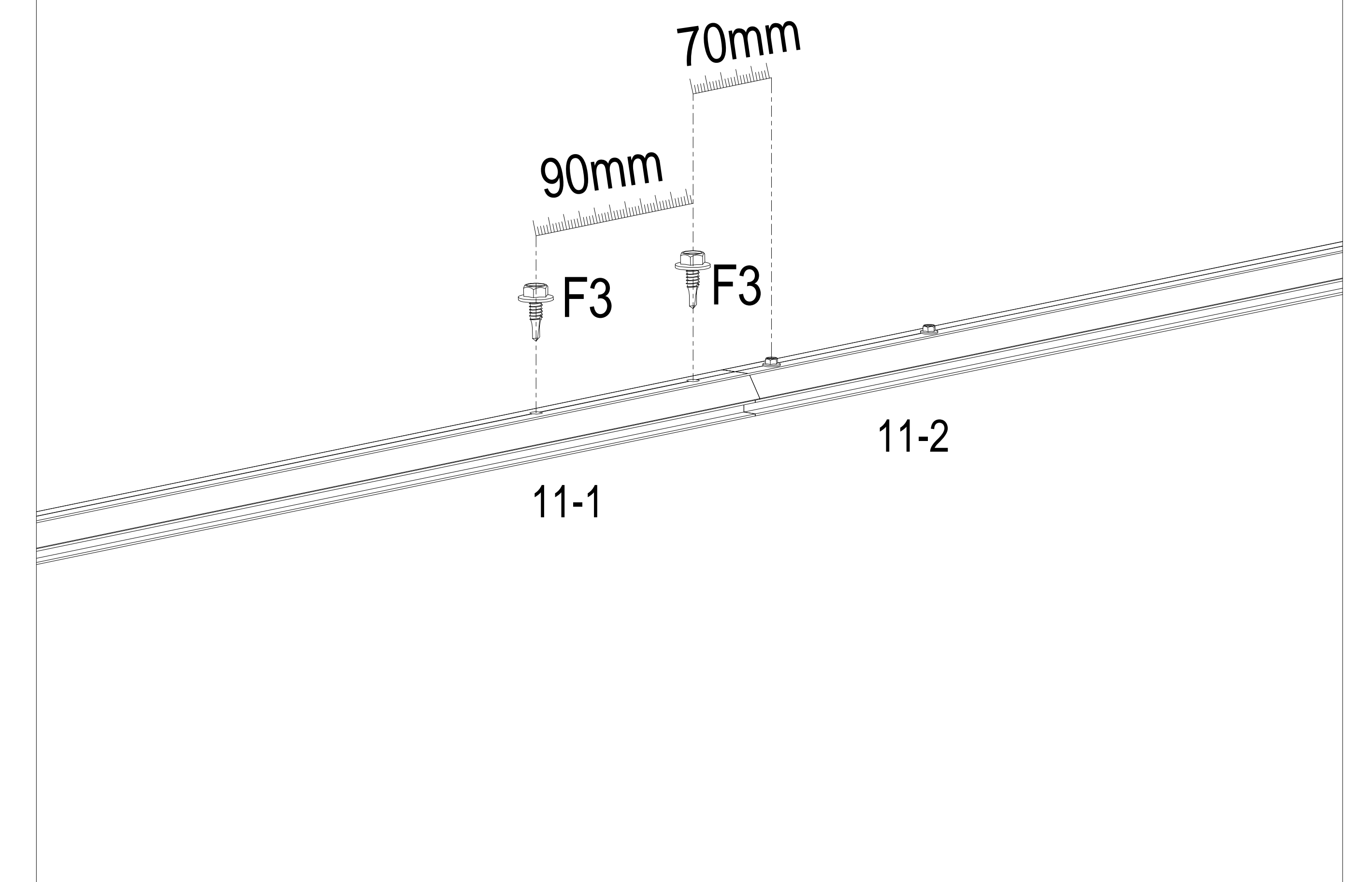
  
(ST4.8x12)  
F3x2



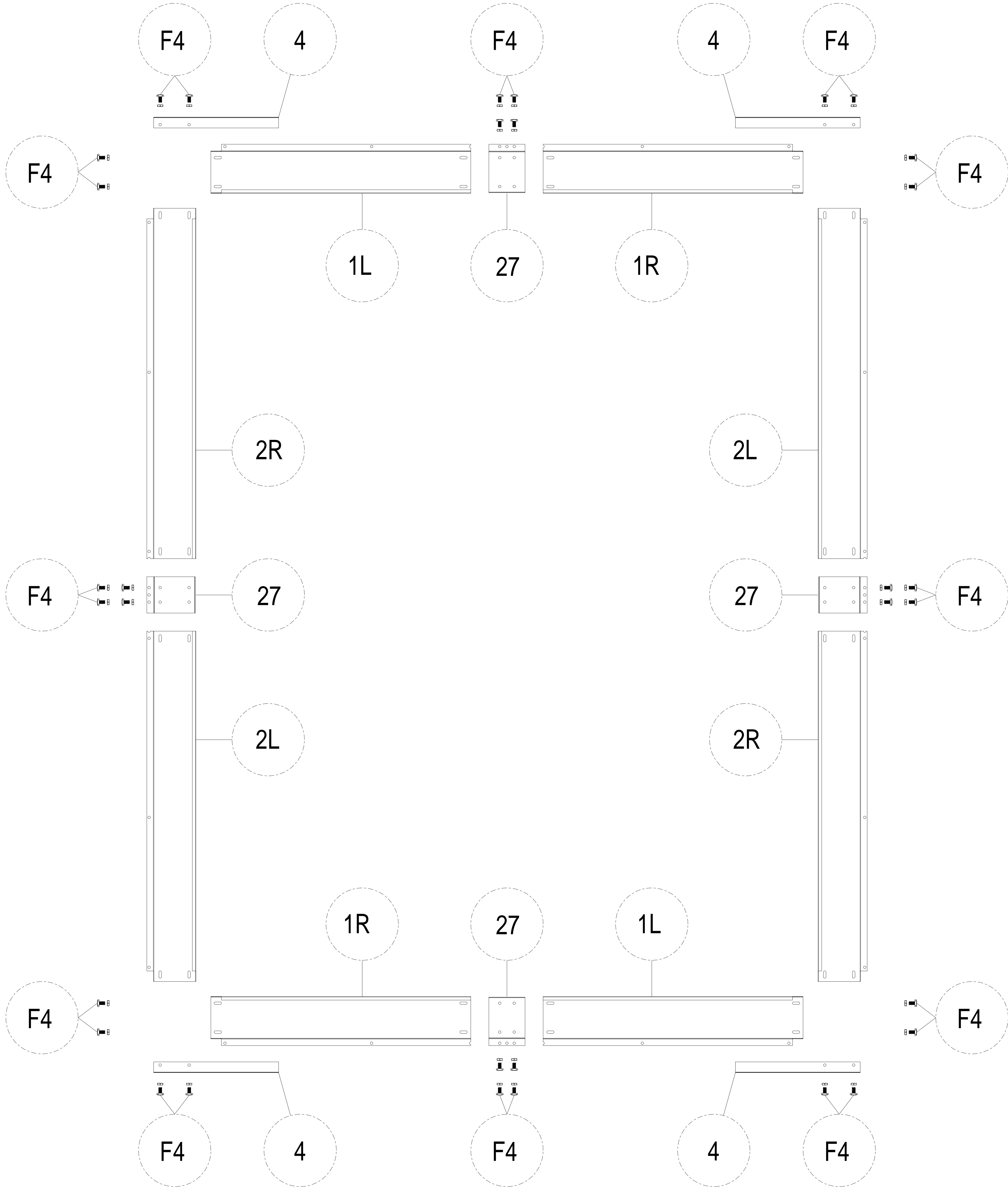
a.



b.

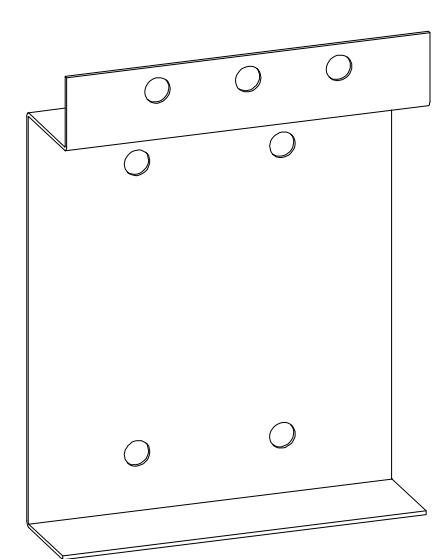
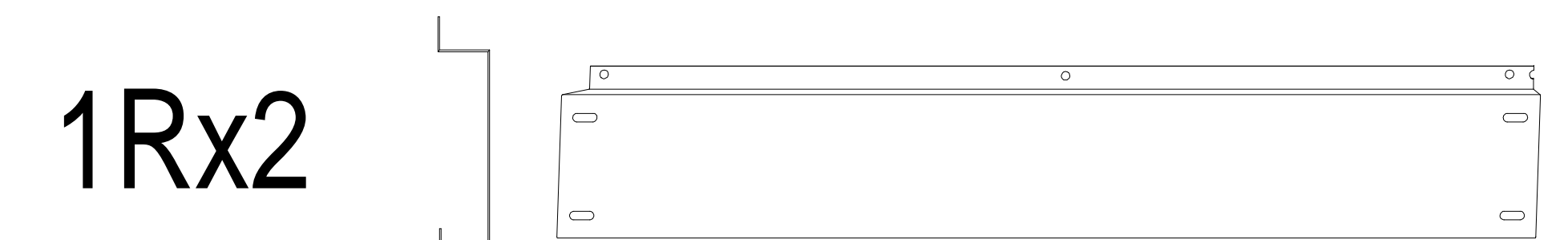
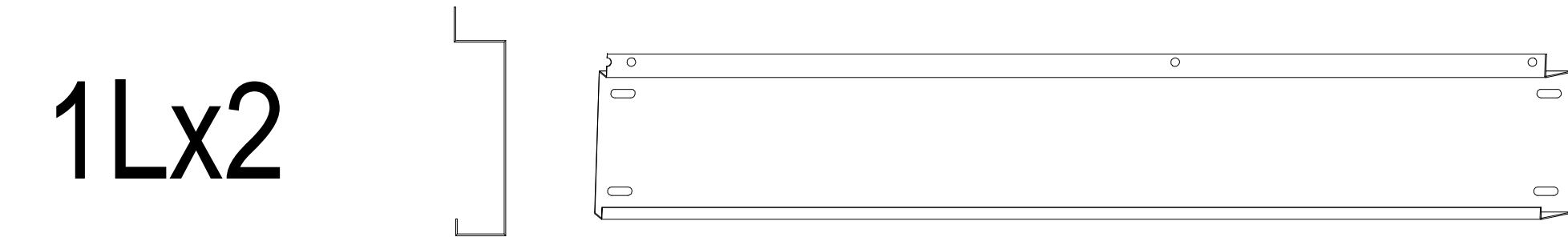


# Base Exploded View

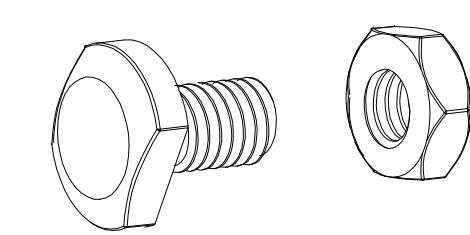


Item		Qty		MM
1L		2 PCS		1218
1R		2 PCS		1218
2L		2 PCS		1467
2R		2 PCS		1467
27		4 PCS		100
4		4 PCS		345
F4		51 PCS		M6x12

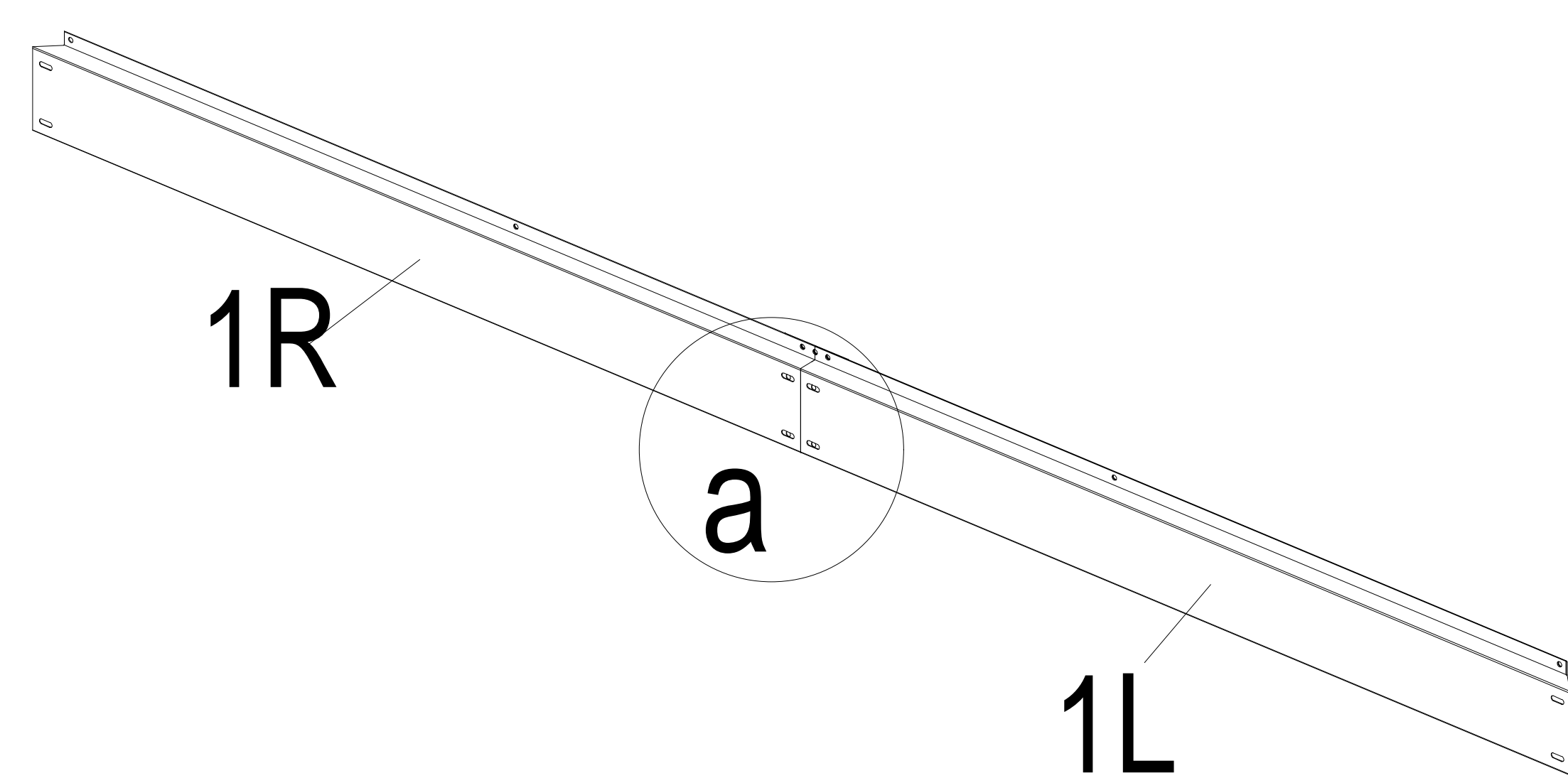
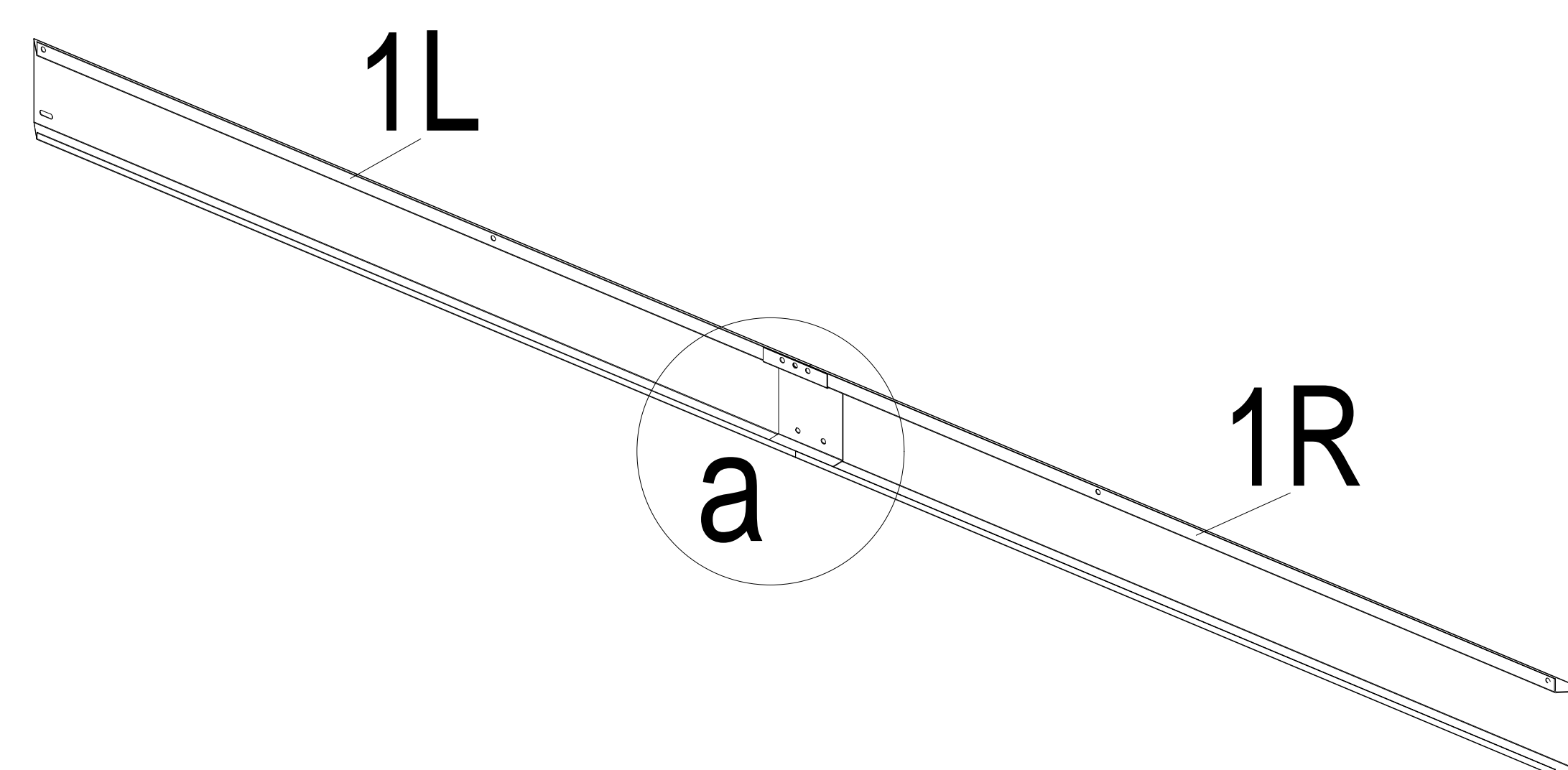
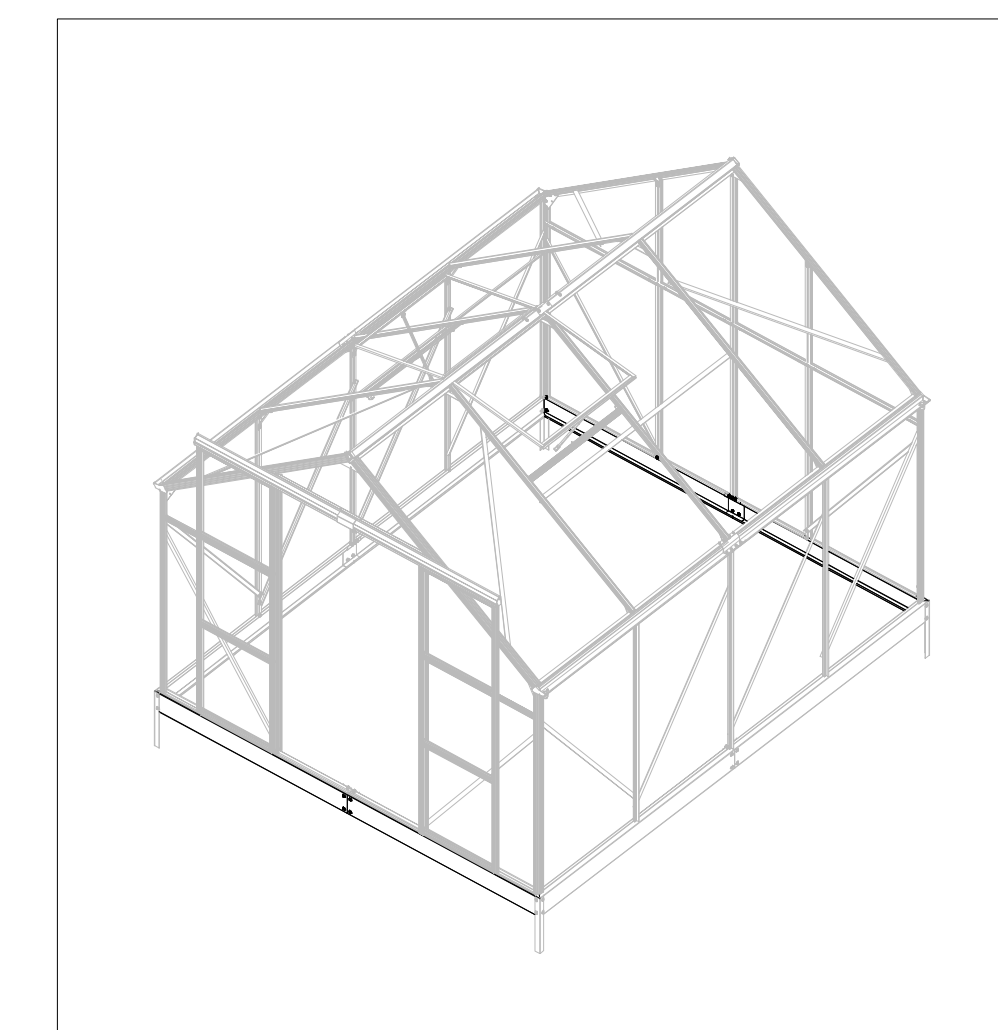
# Base



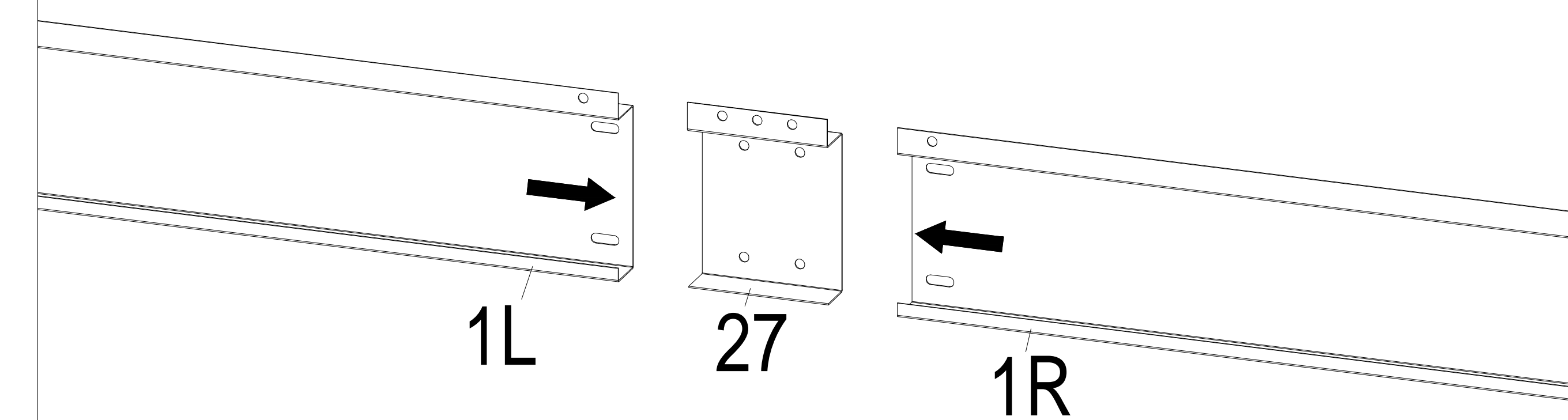
27x2



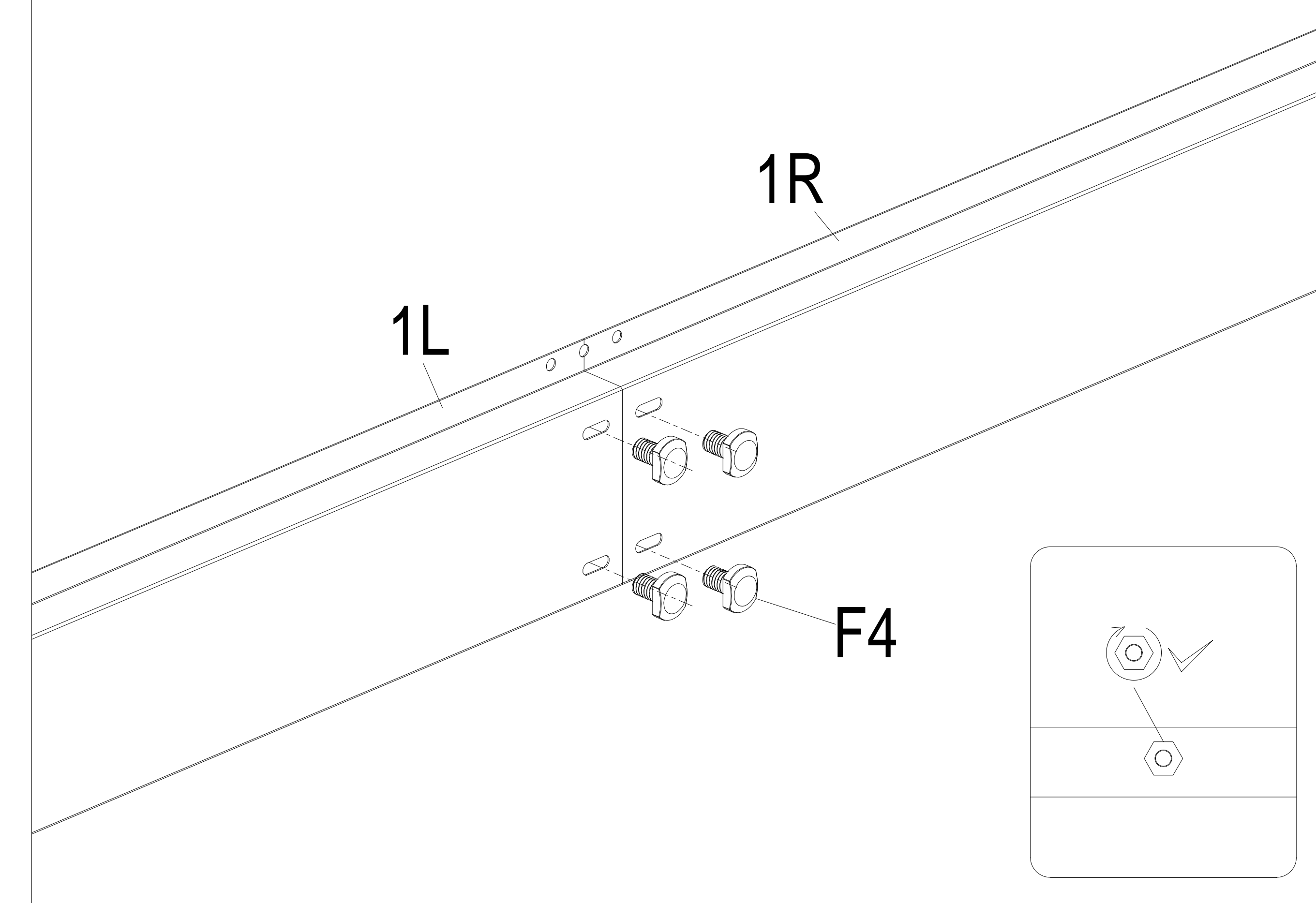
(M6x12)  
F4x8



a-1

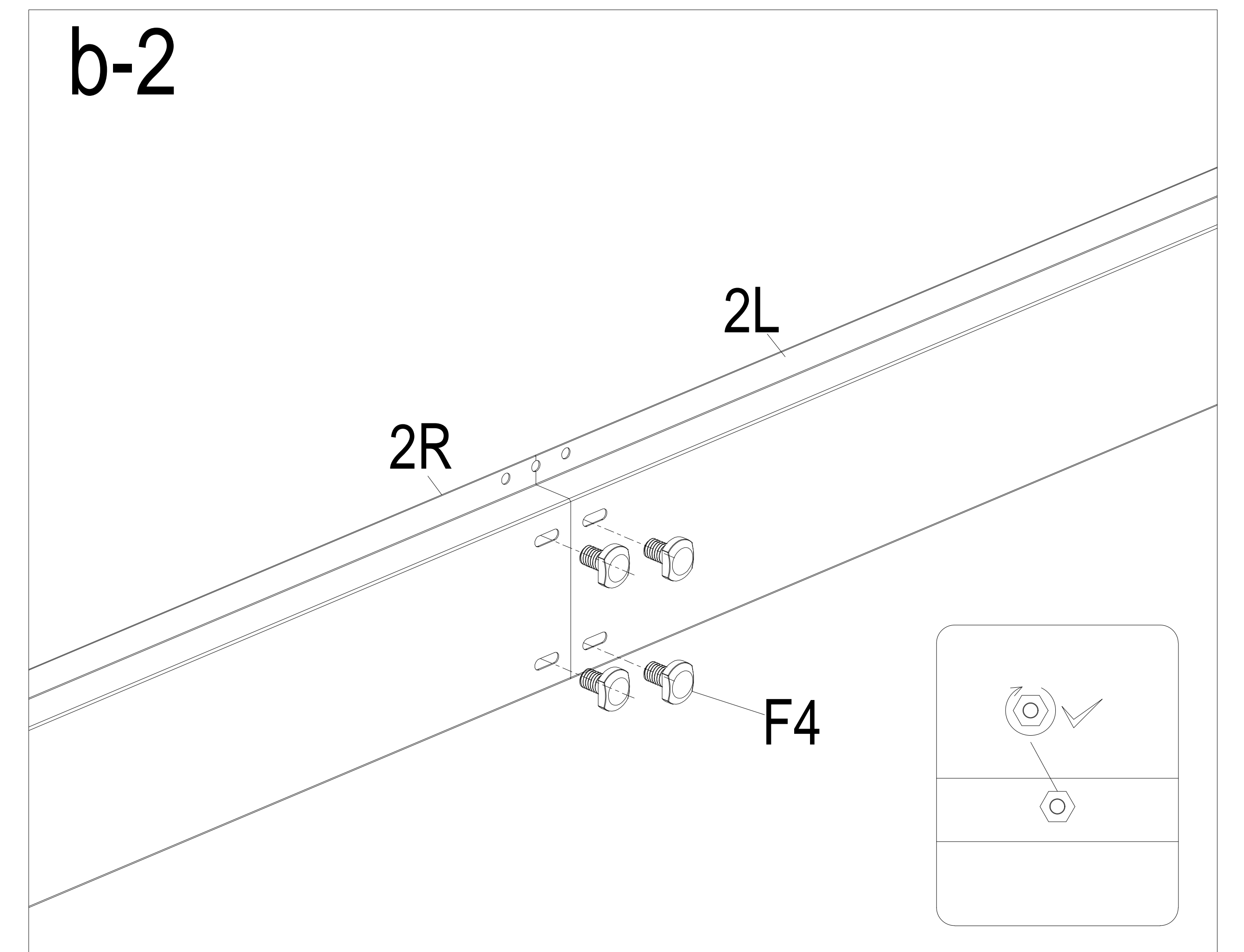
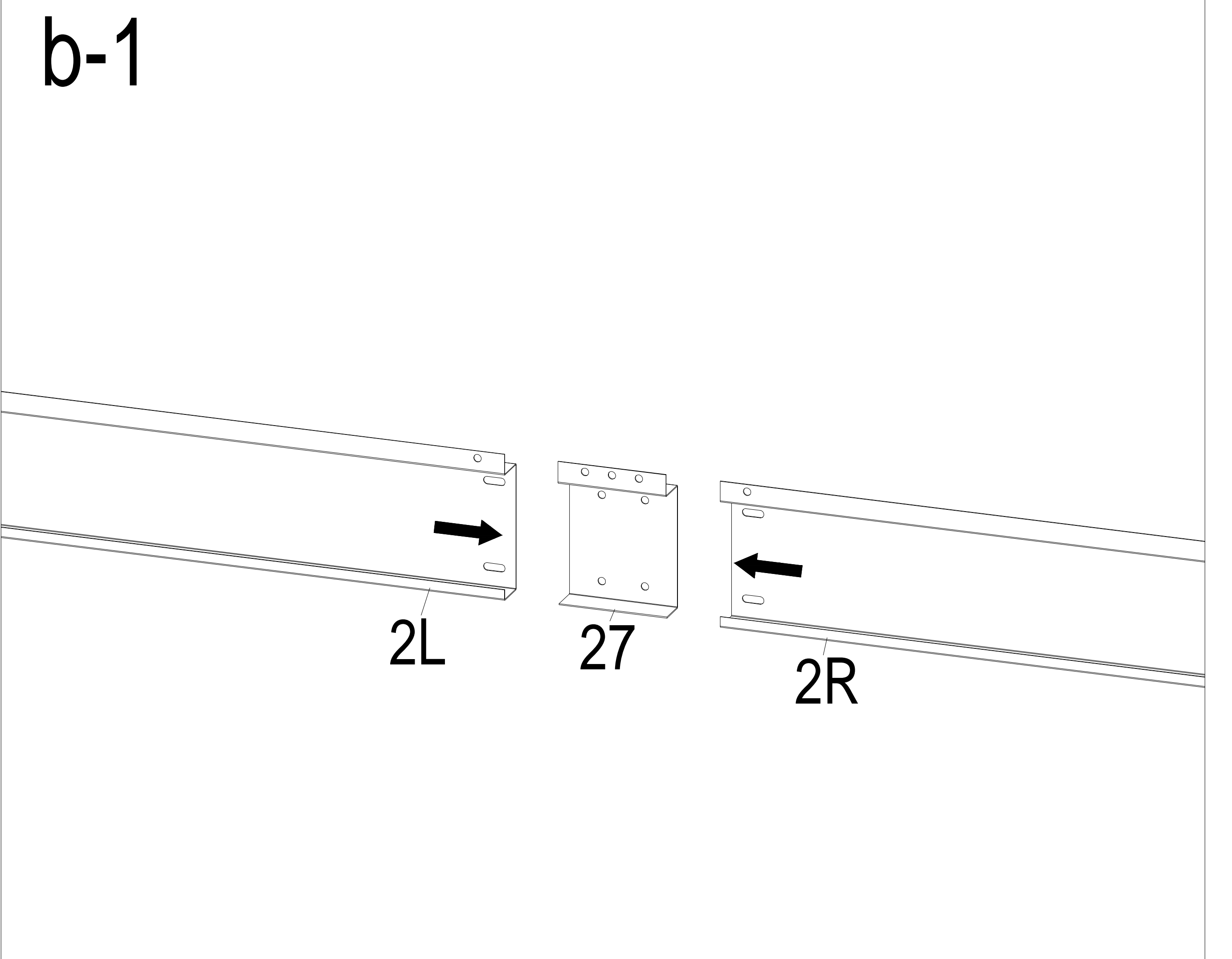
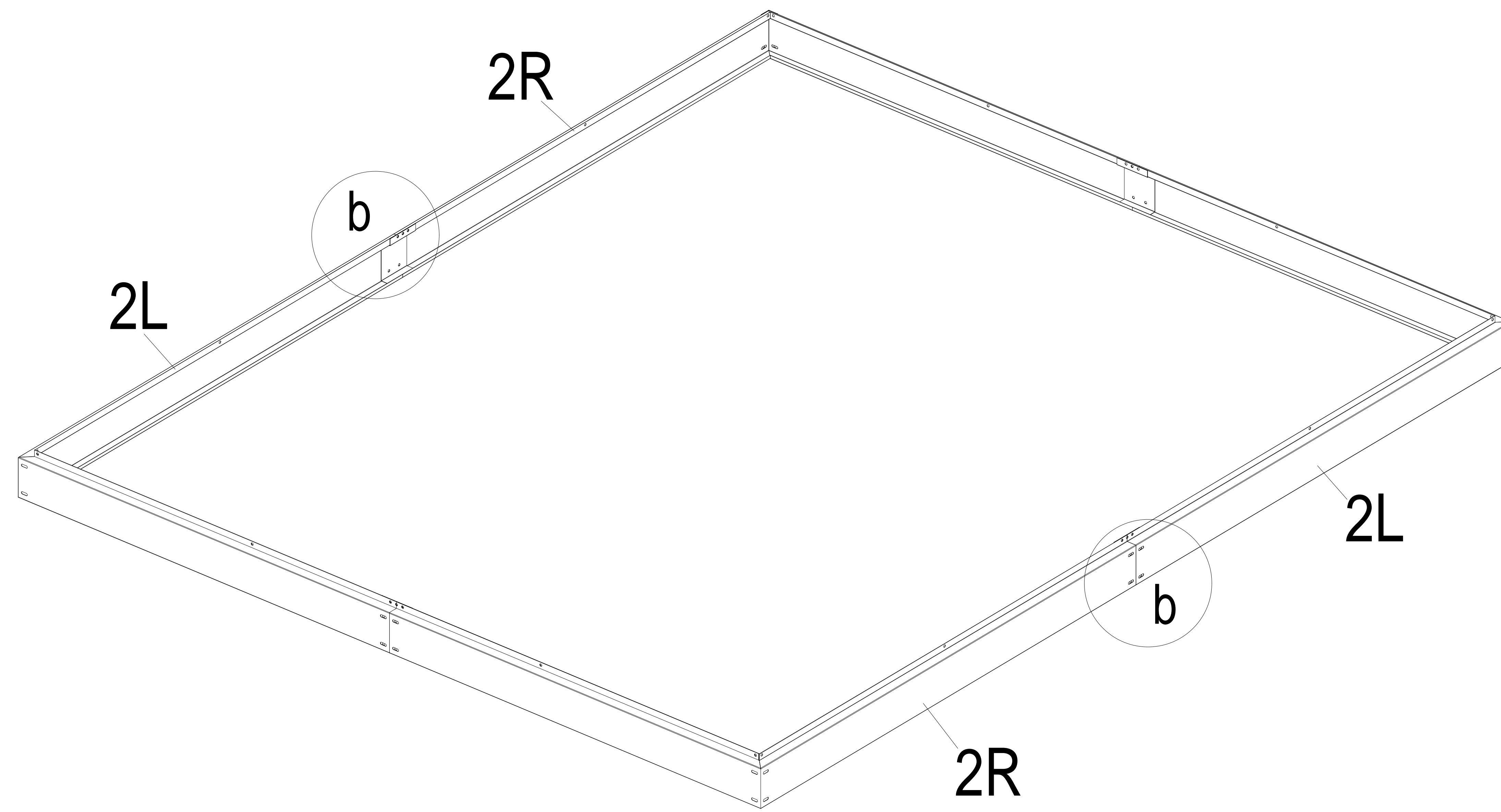
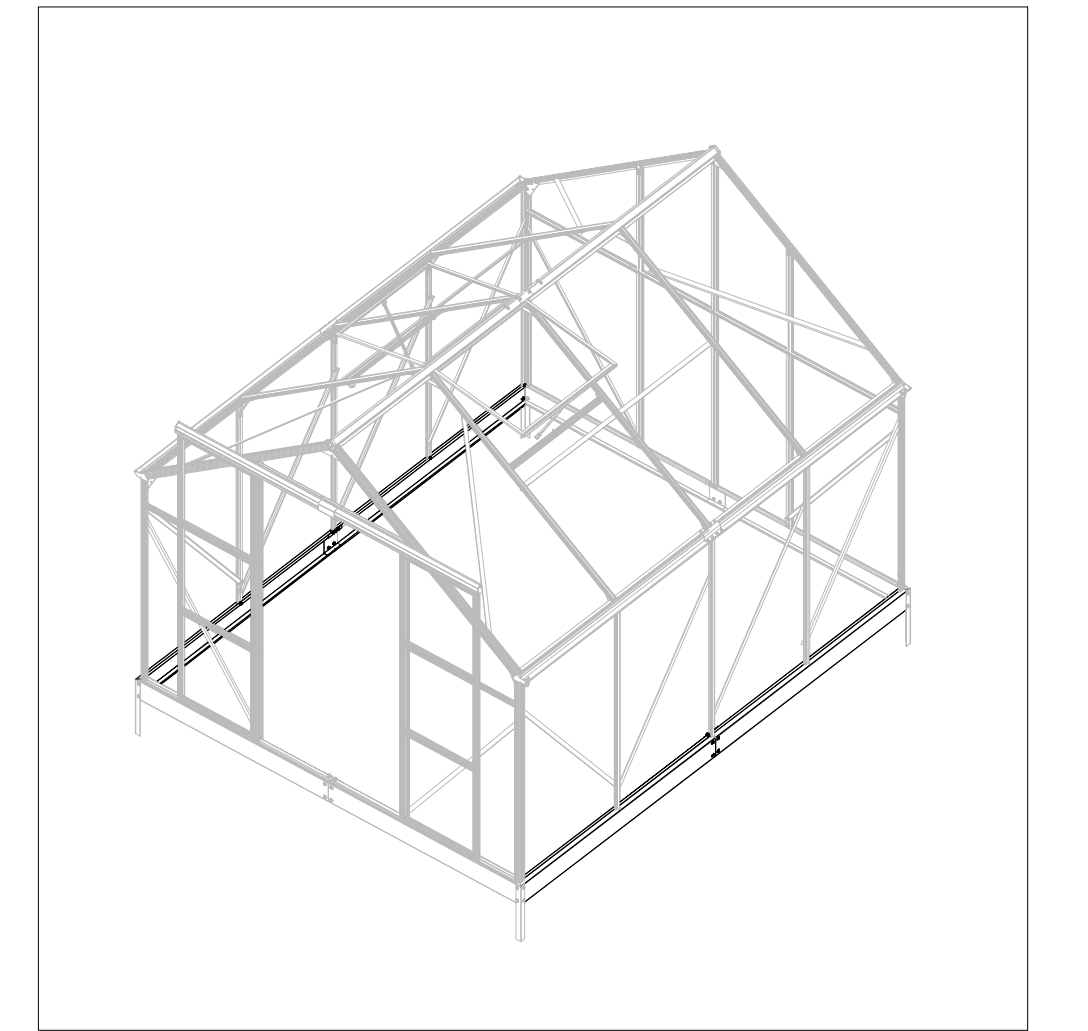
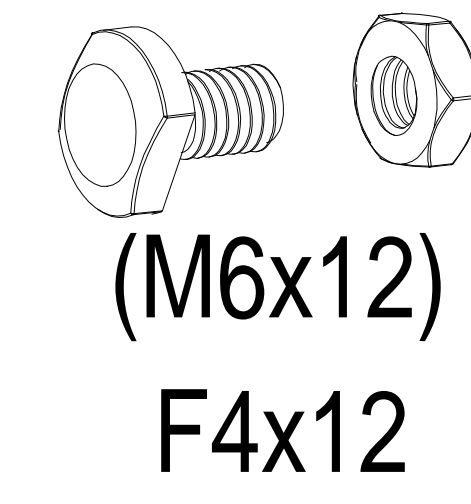
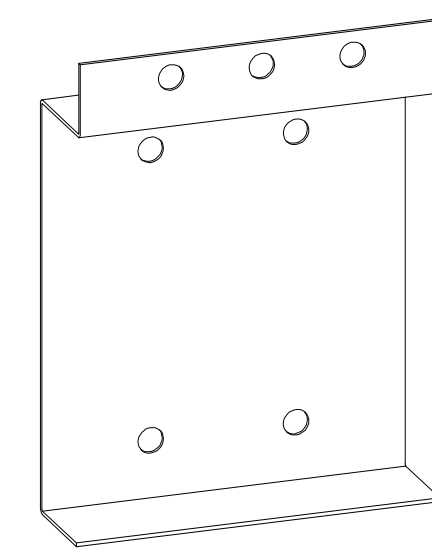
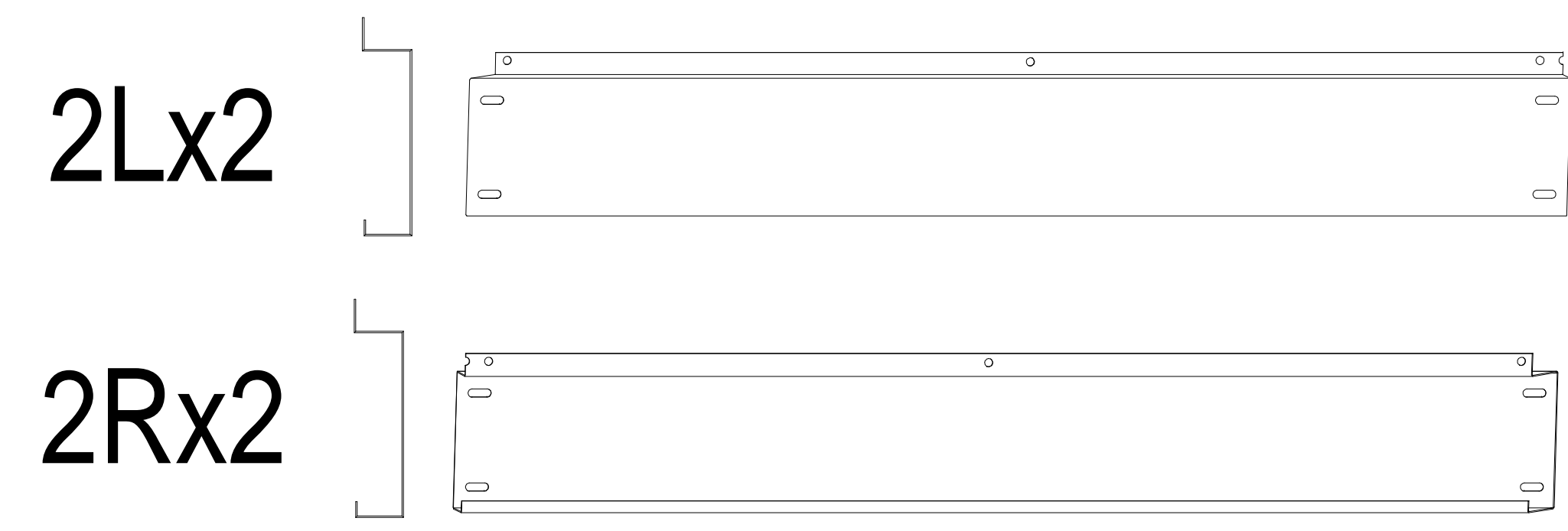


a-2

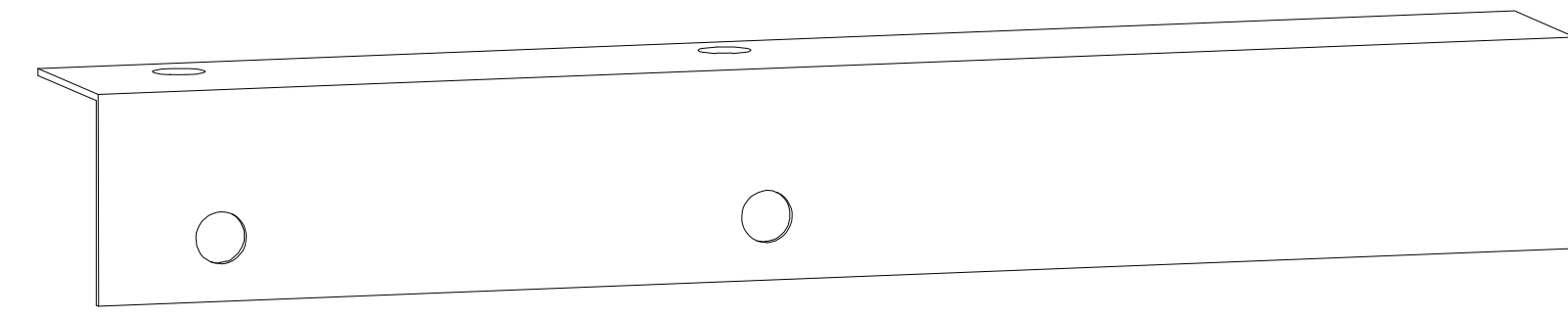




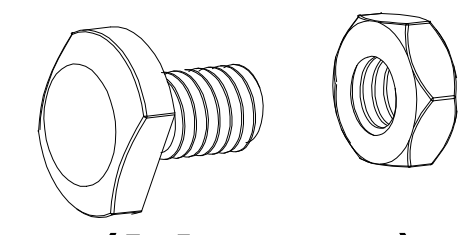
# Base



# Base

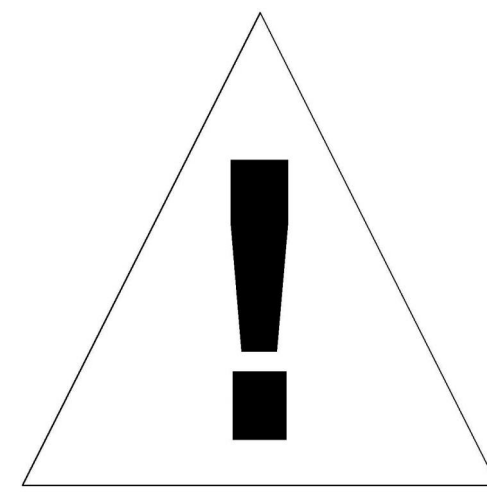
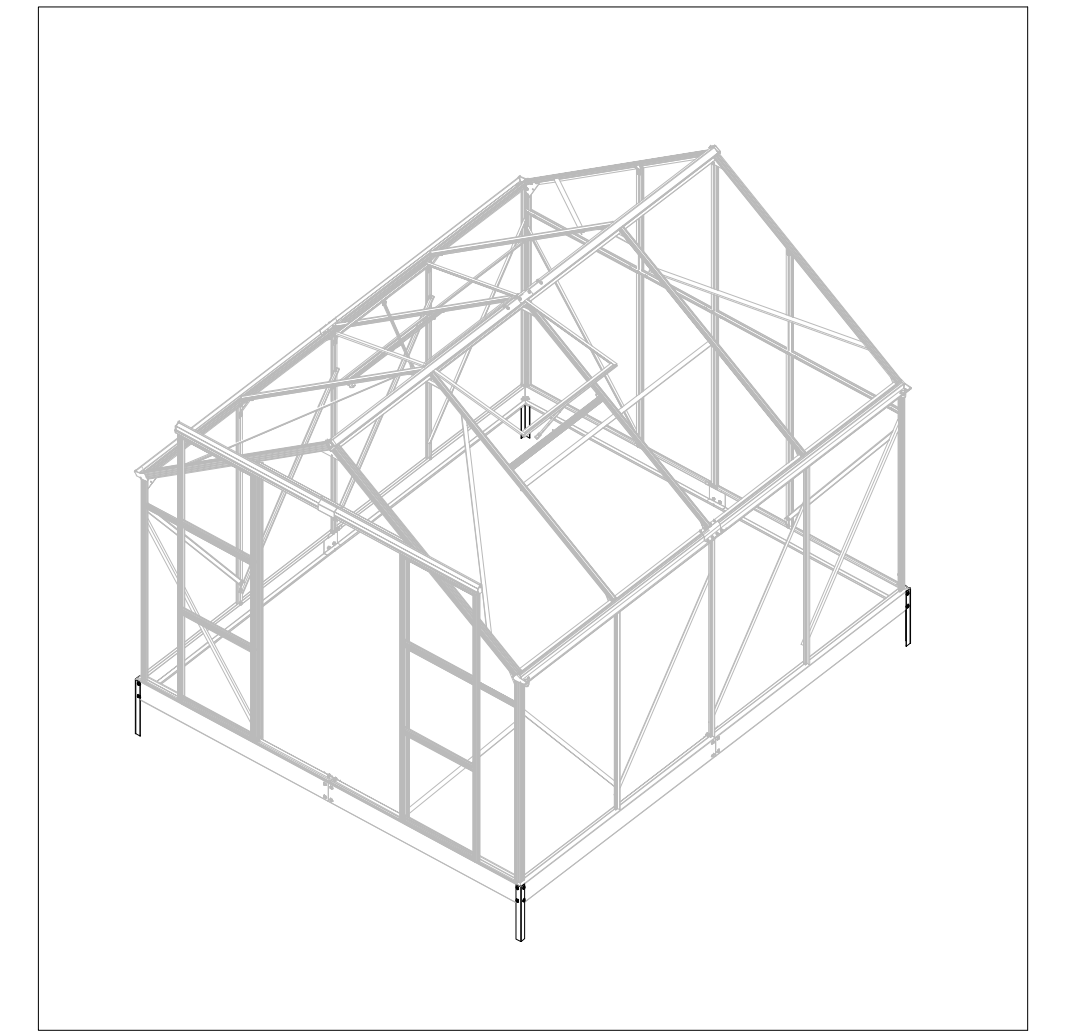


4x4



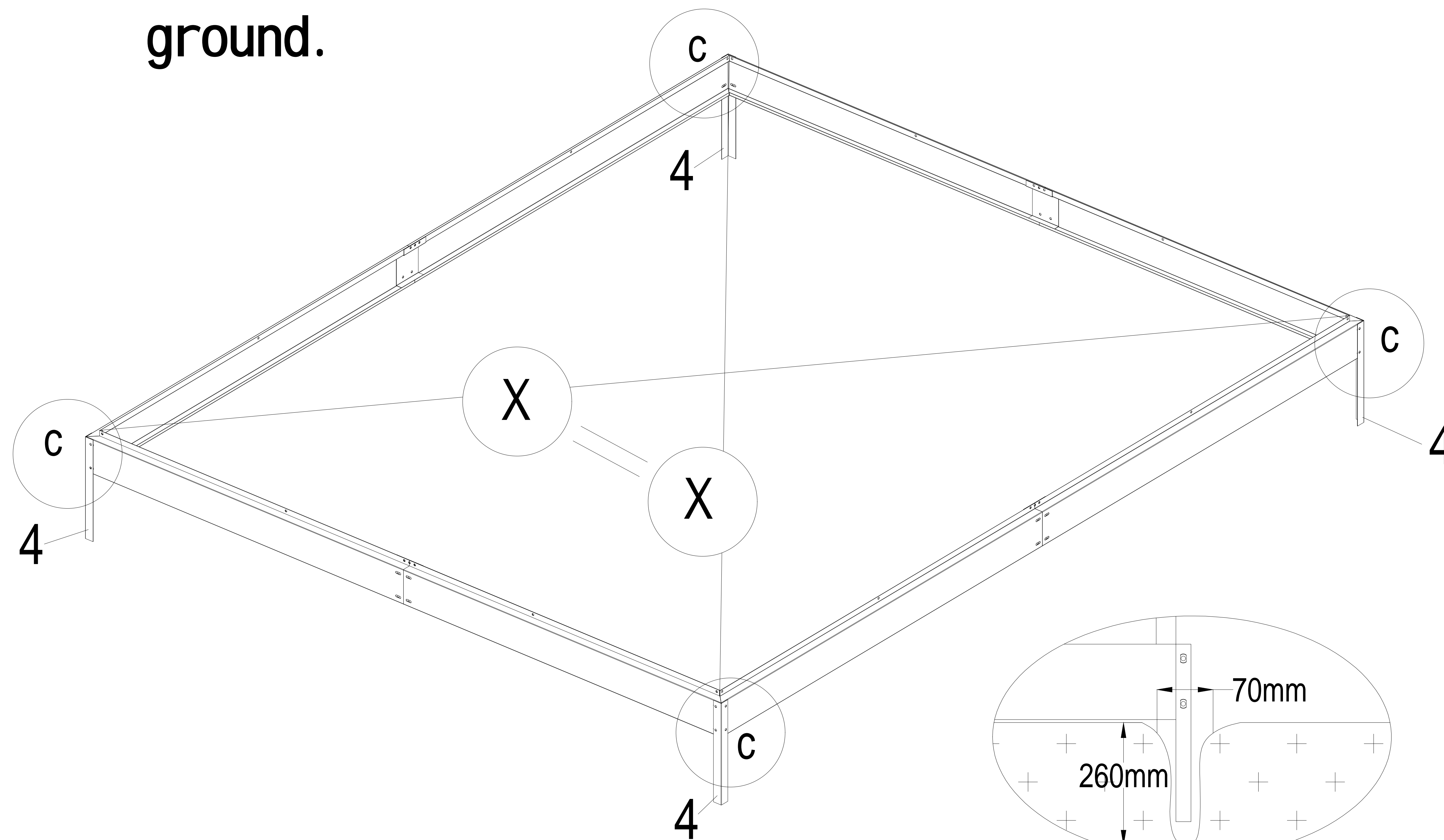
(M6x12)

F4x16

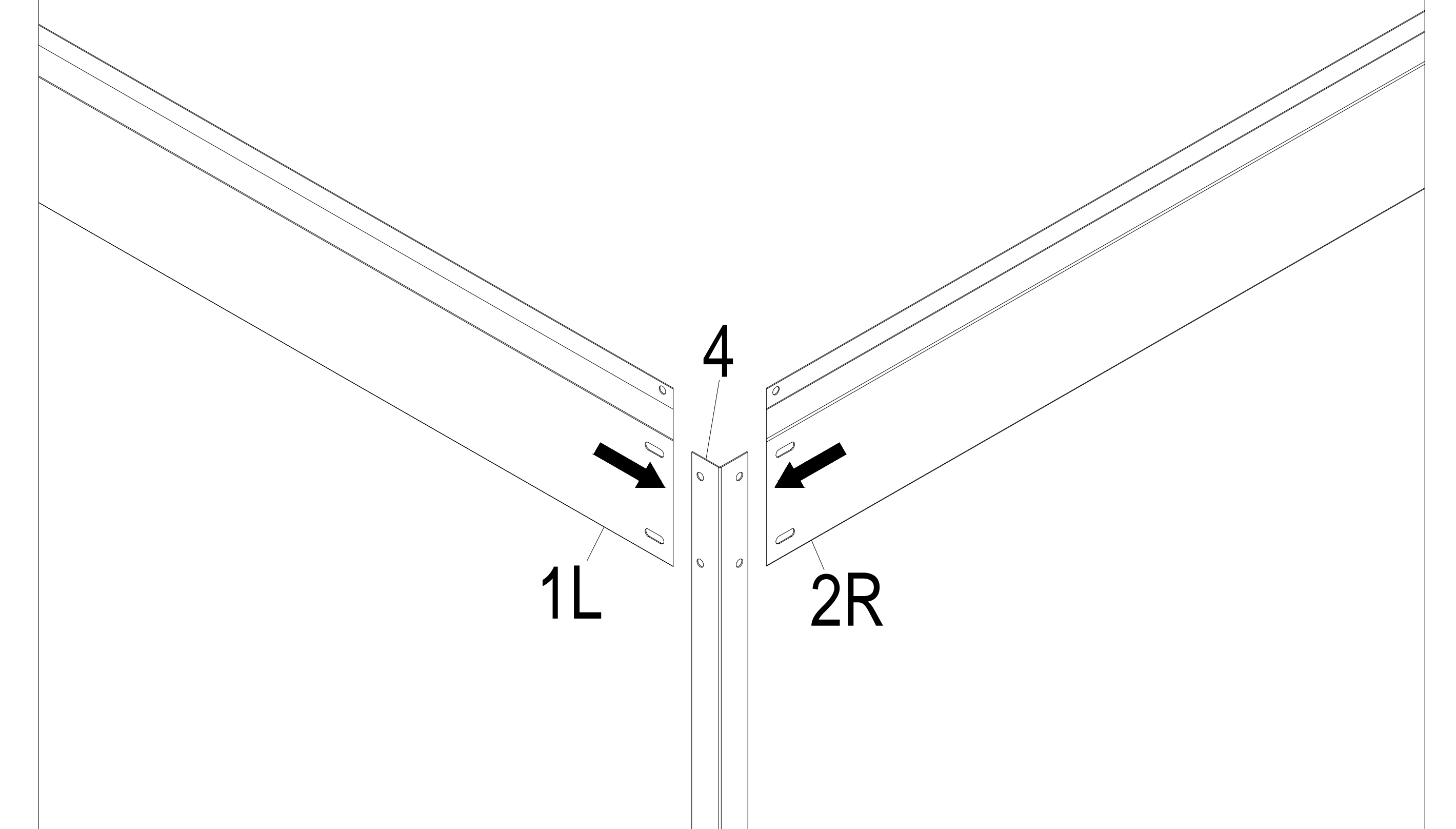


. The corner post needs inserted into the soil in advance according to the instruction picture. If not, please make the corner post inserted backwards.

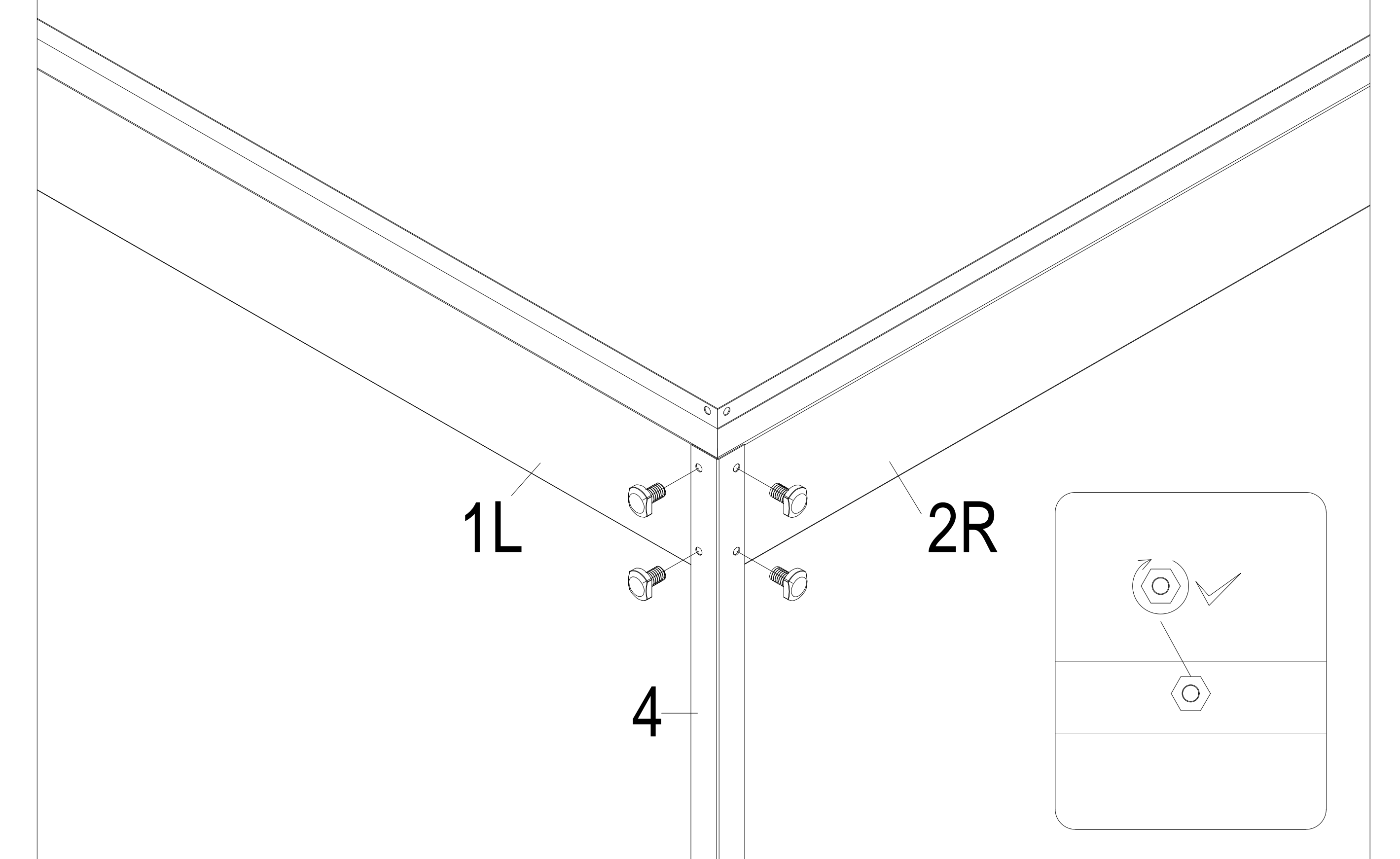
. The foundation needs to be installed on a flat ground.



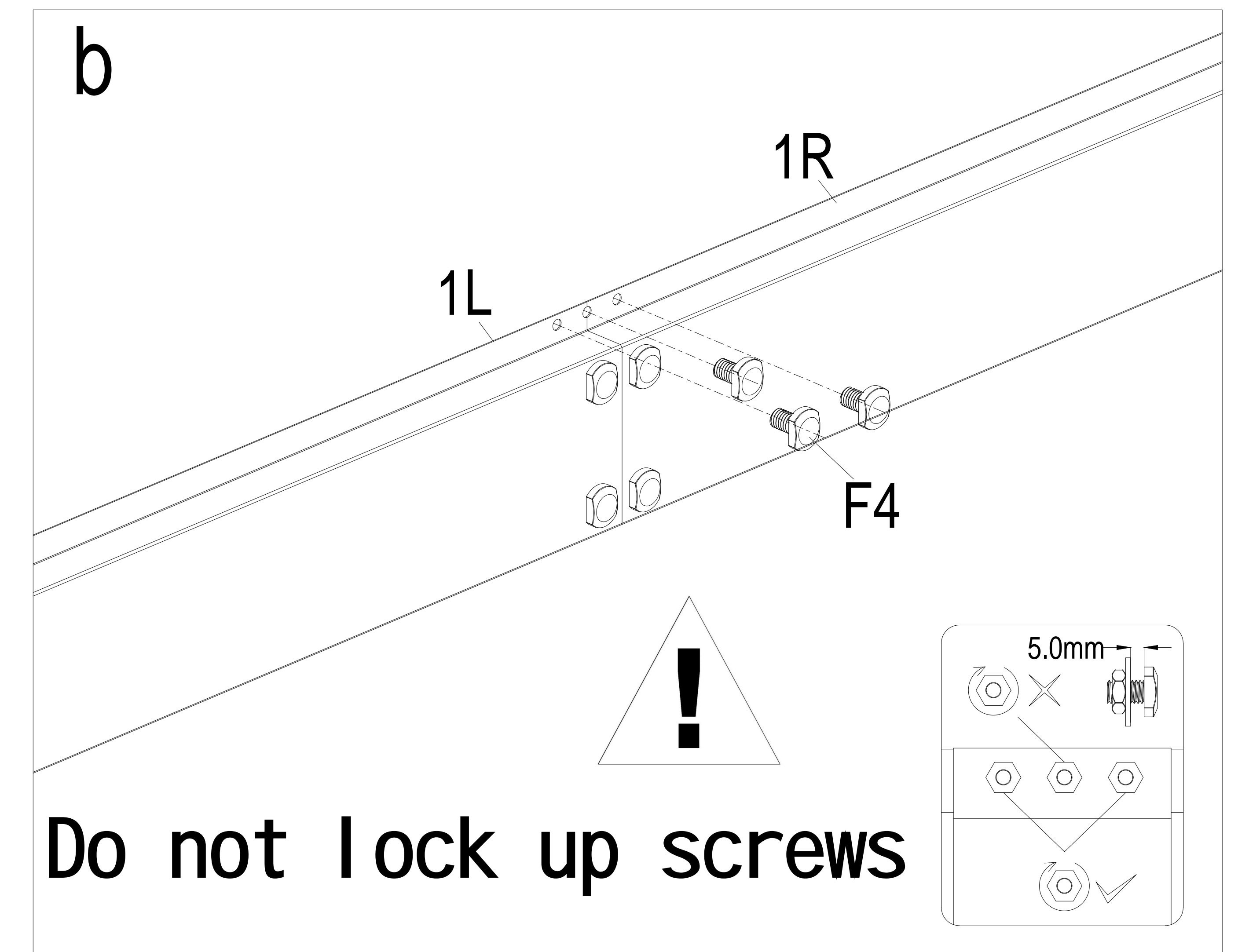
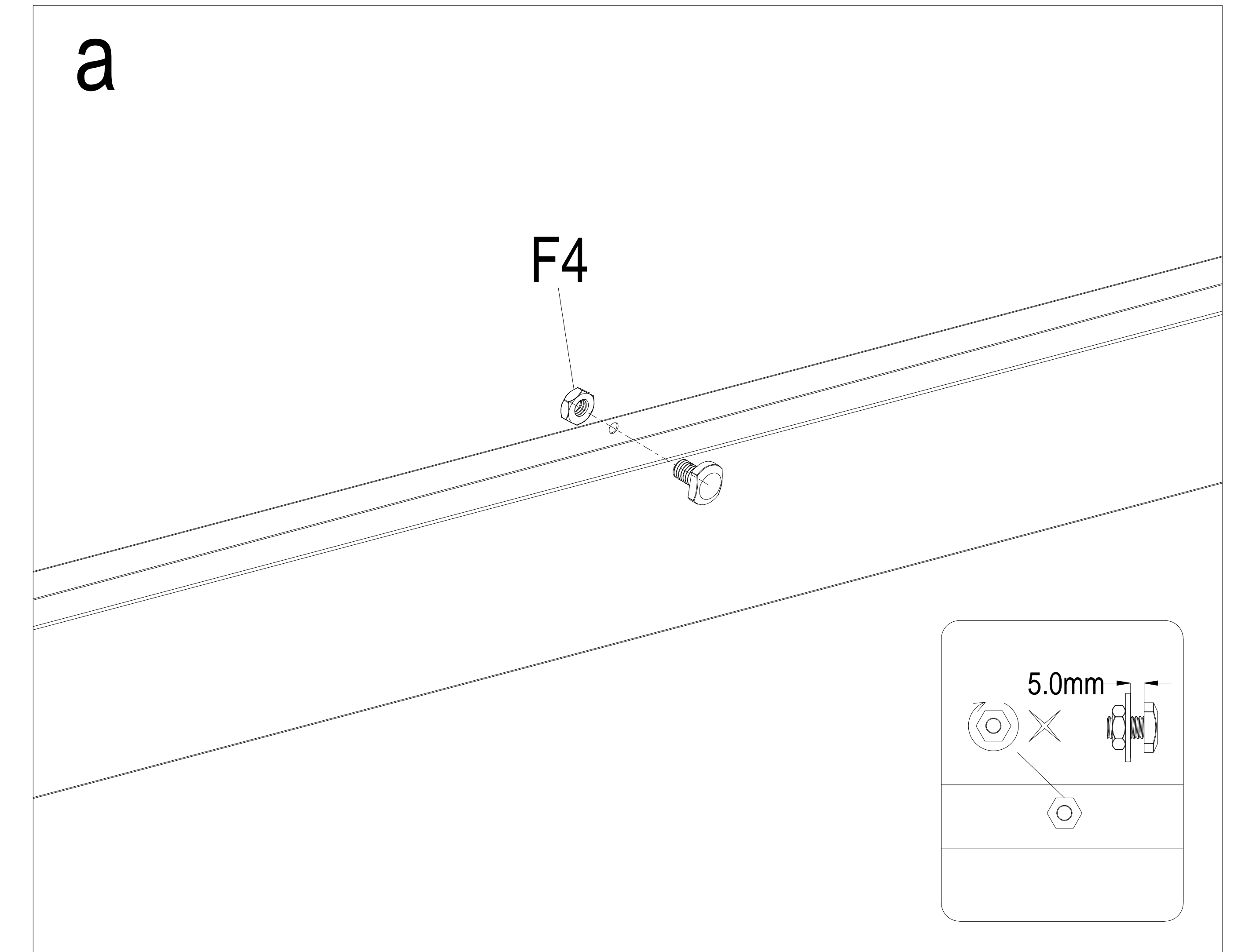
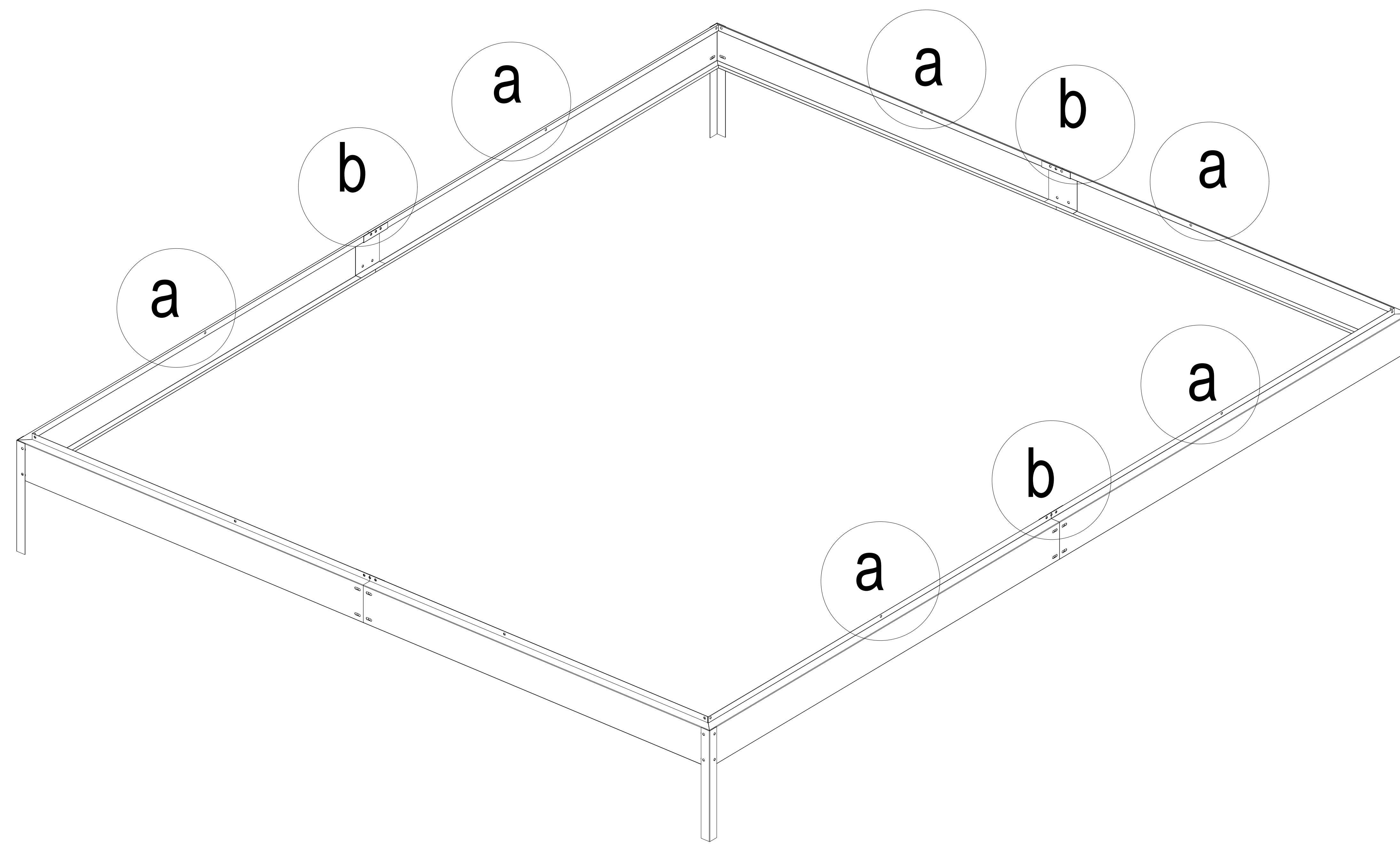
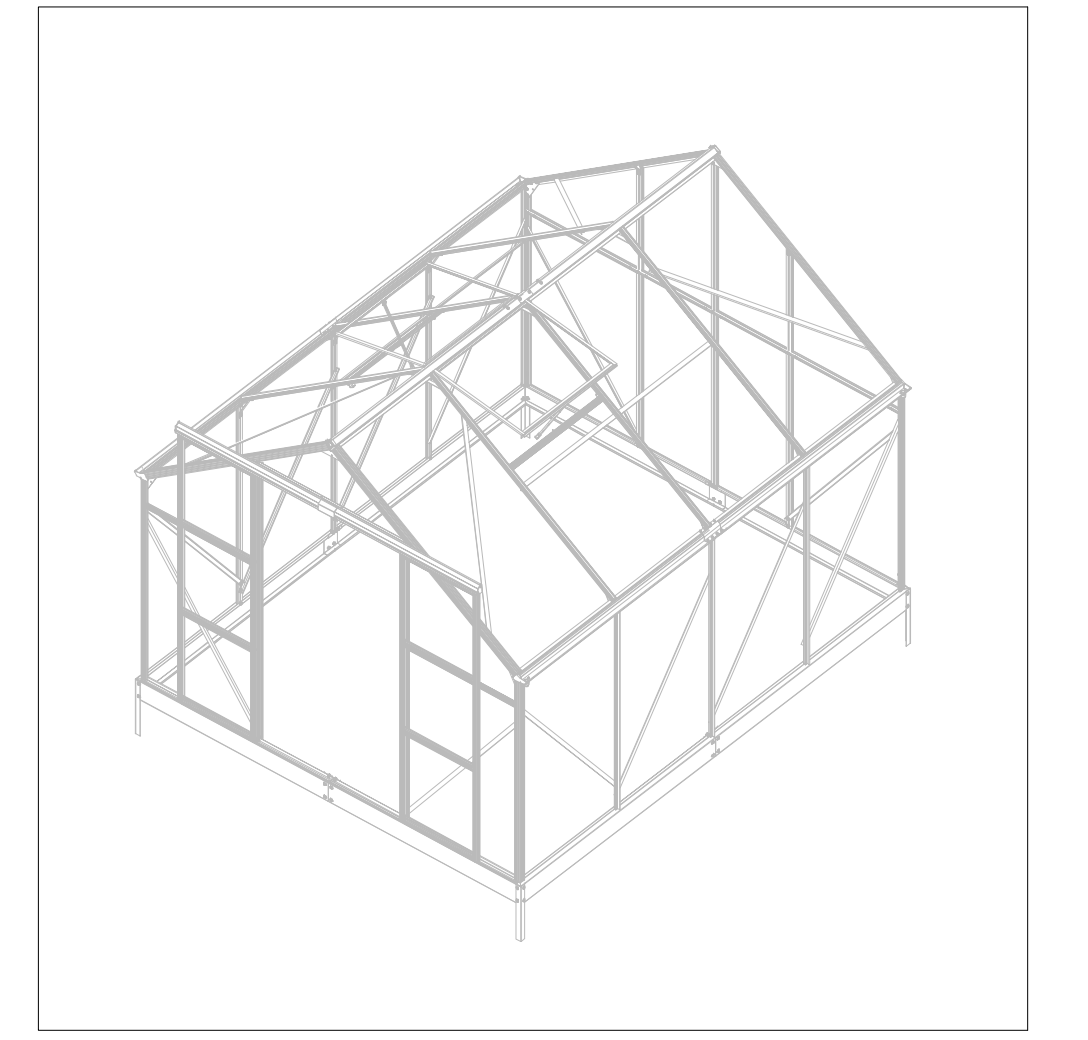
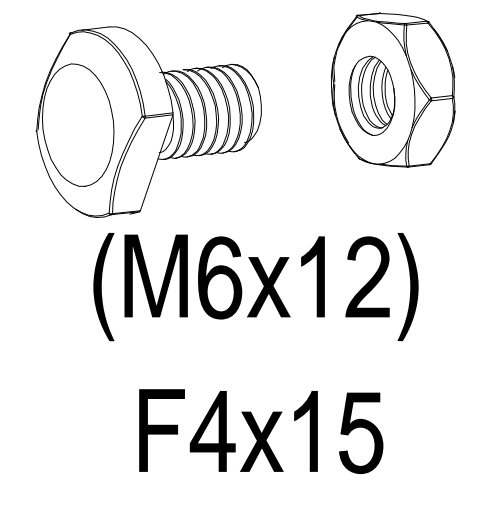
c-1



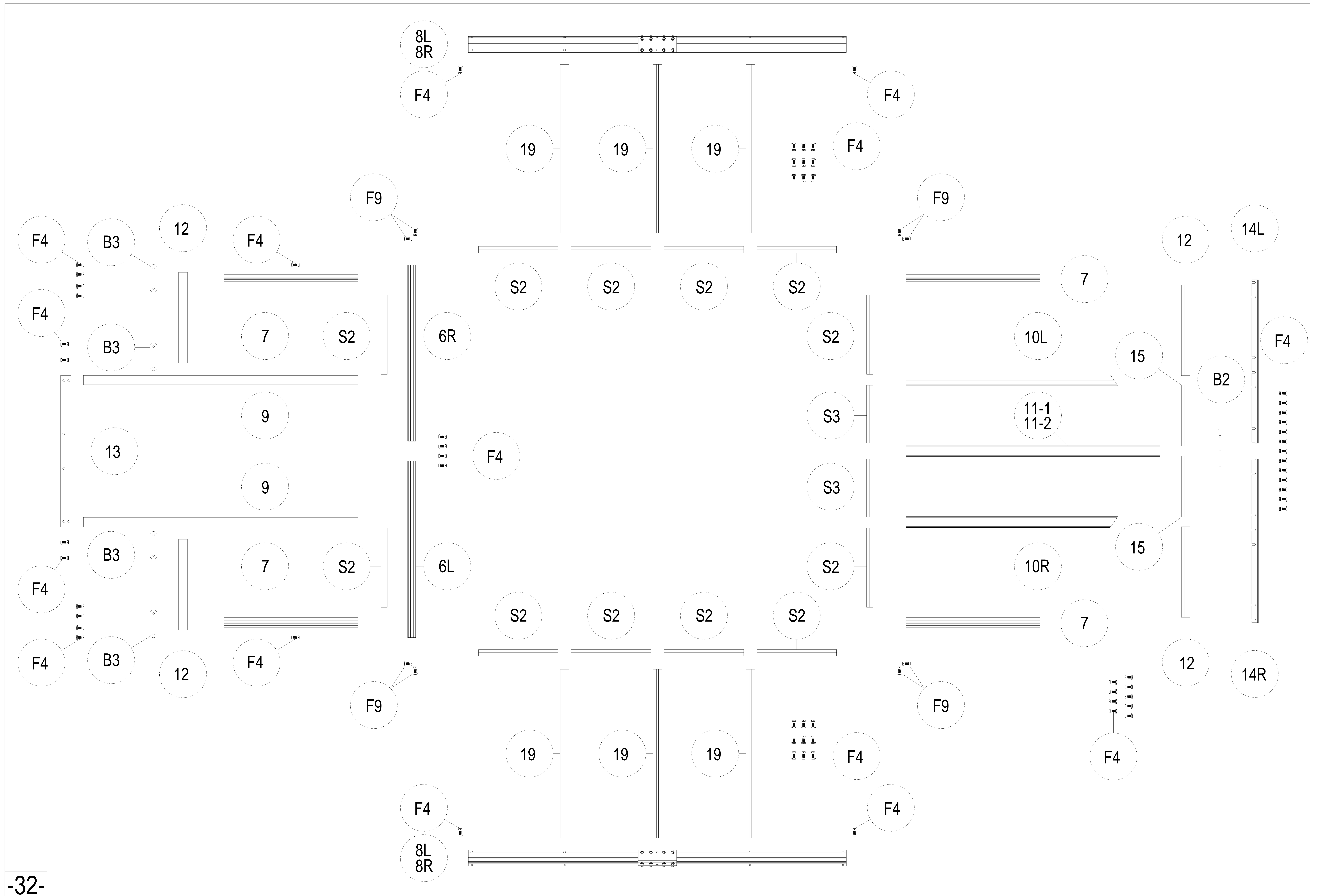
c-2



# Base

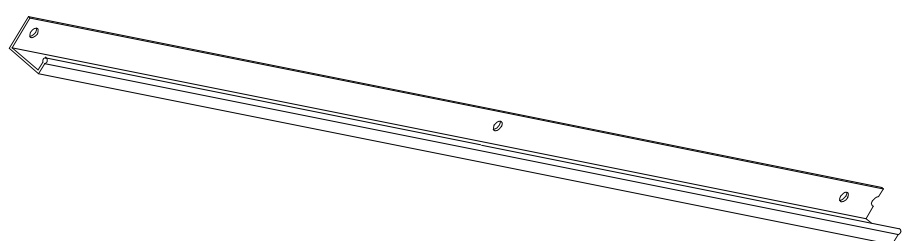
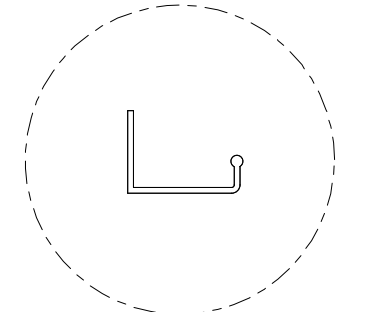
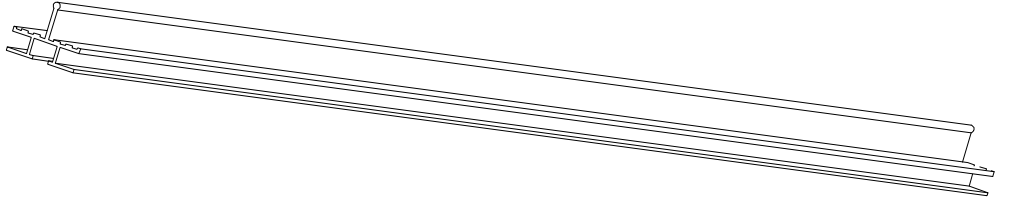
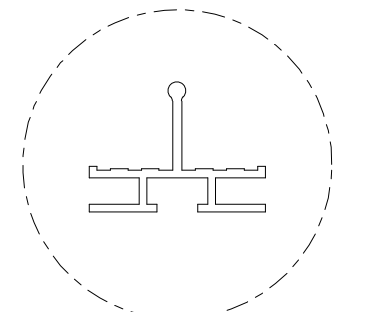
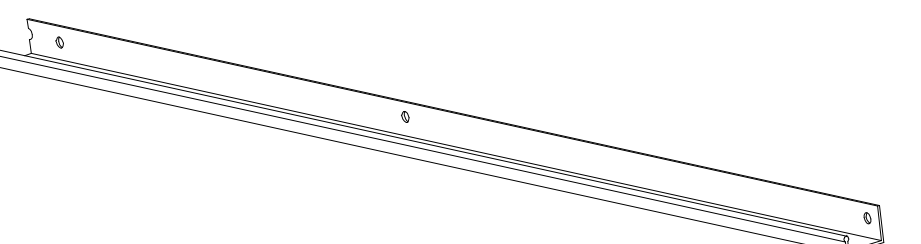
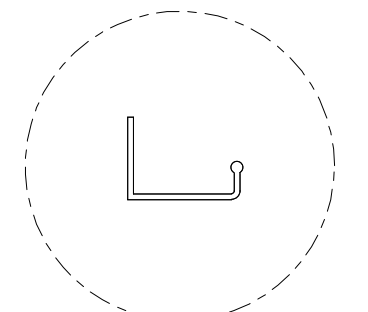
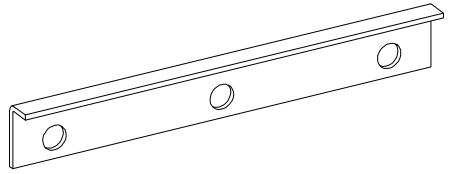
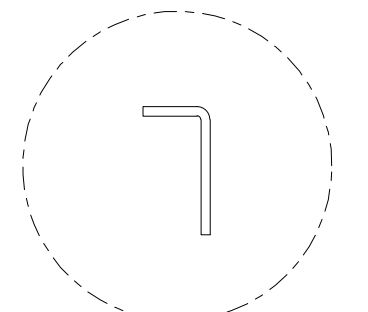
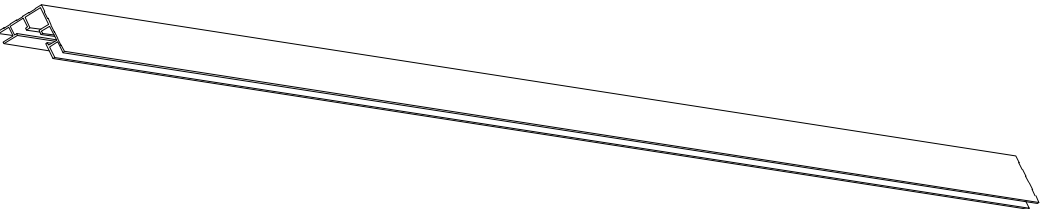
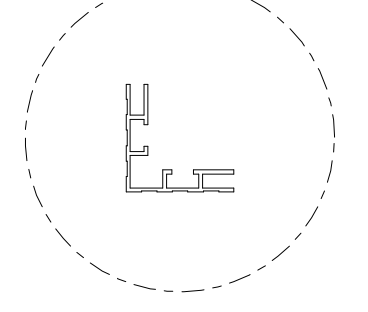

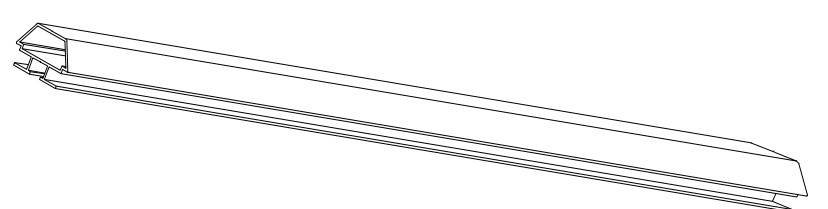
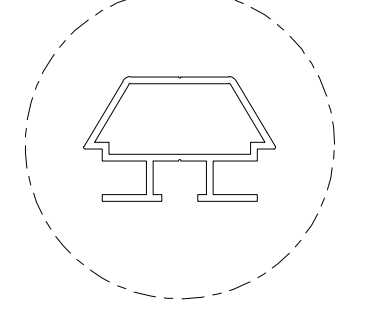
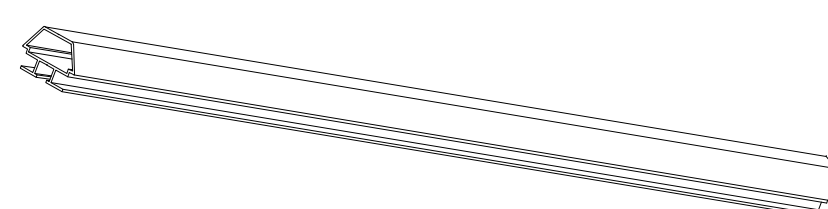
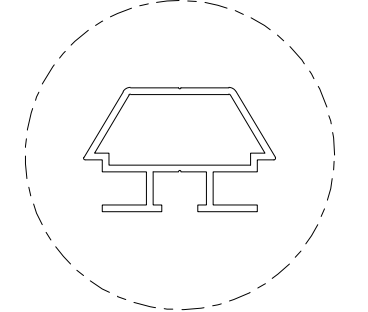
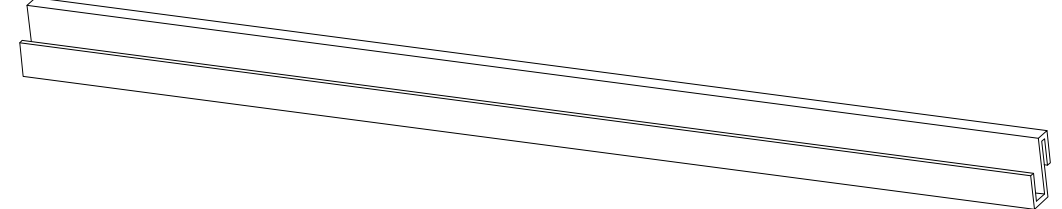
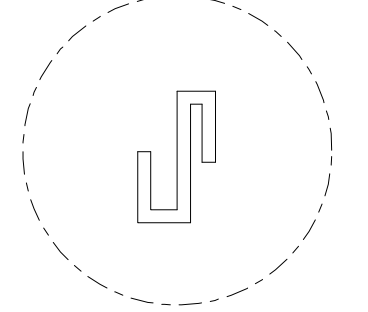
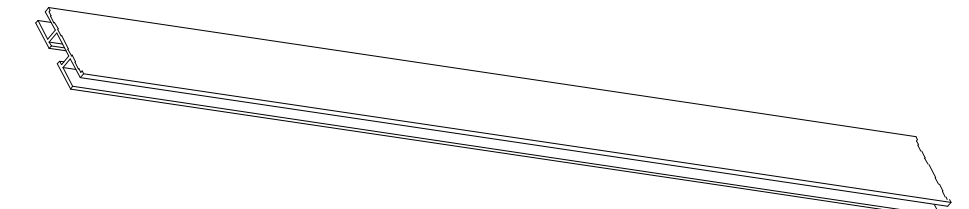
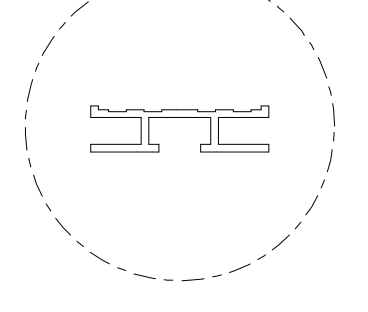
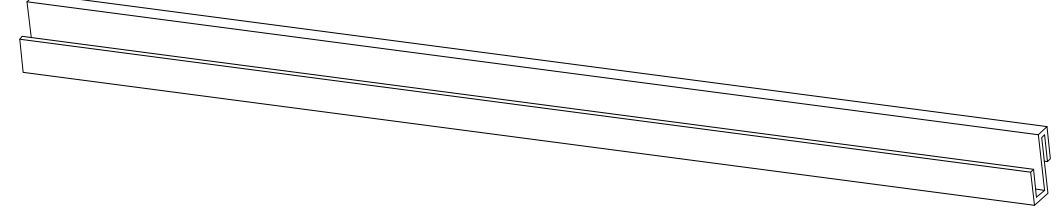
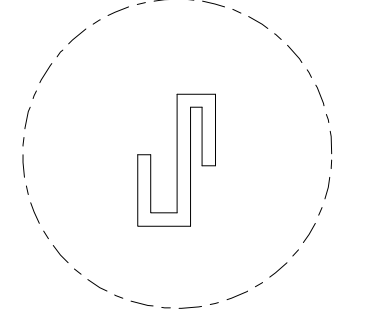
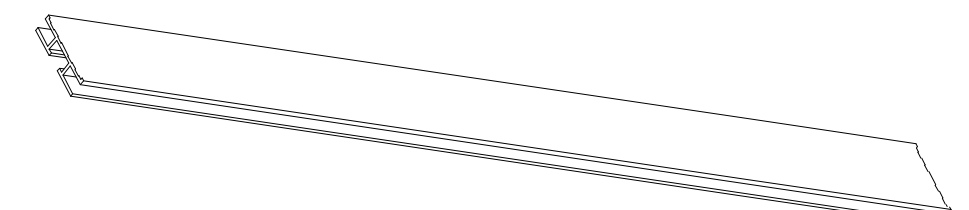
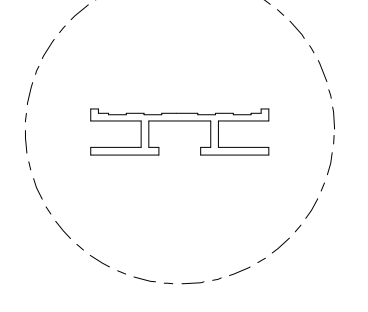
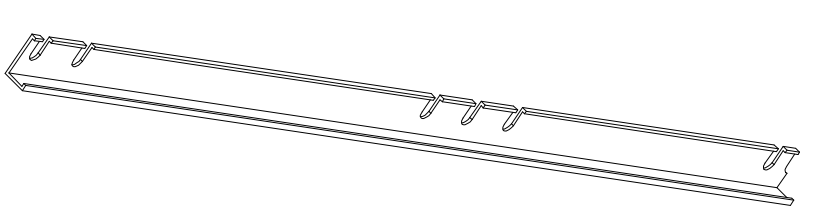
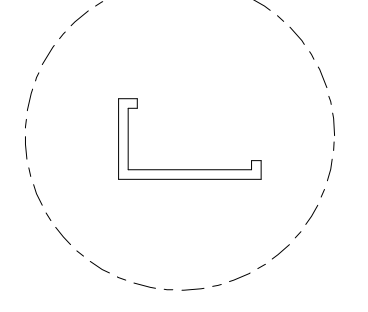
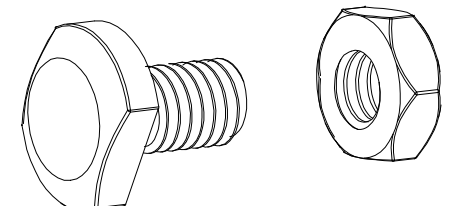
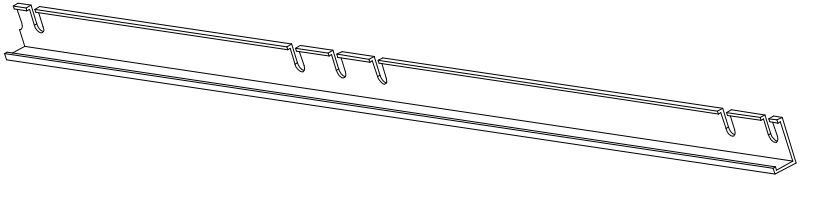
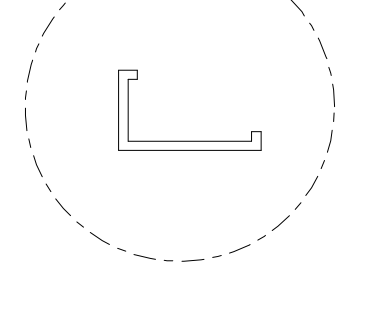
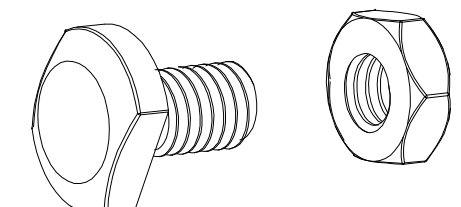
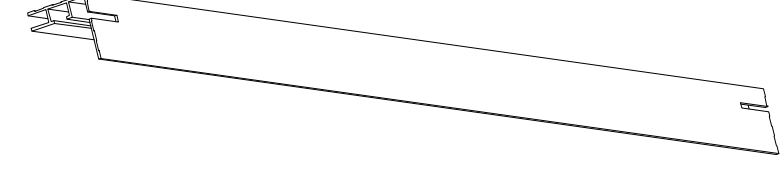
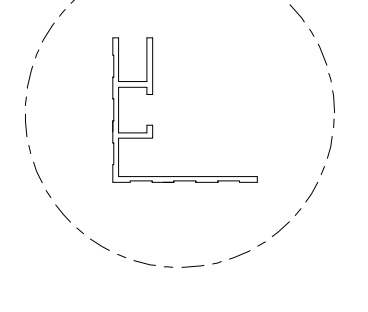
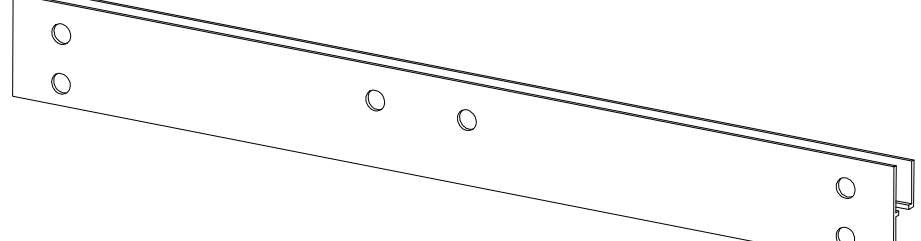
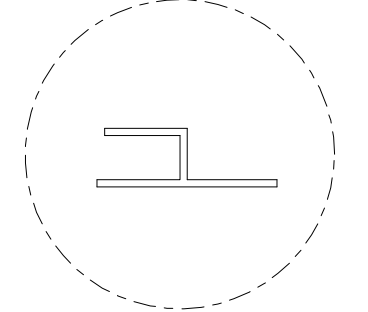


# Wall Exploded View

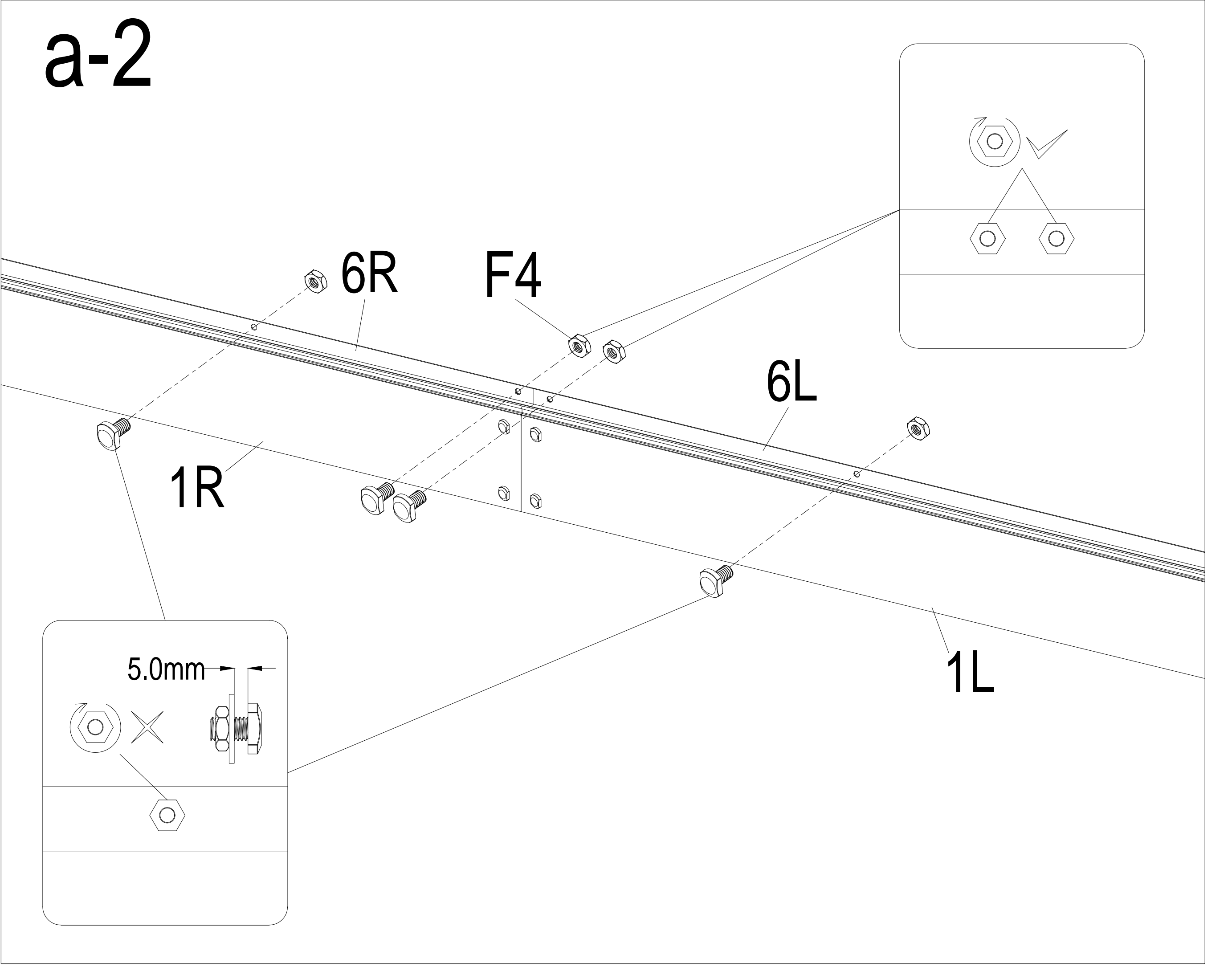
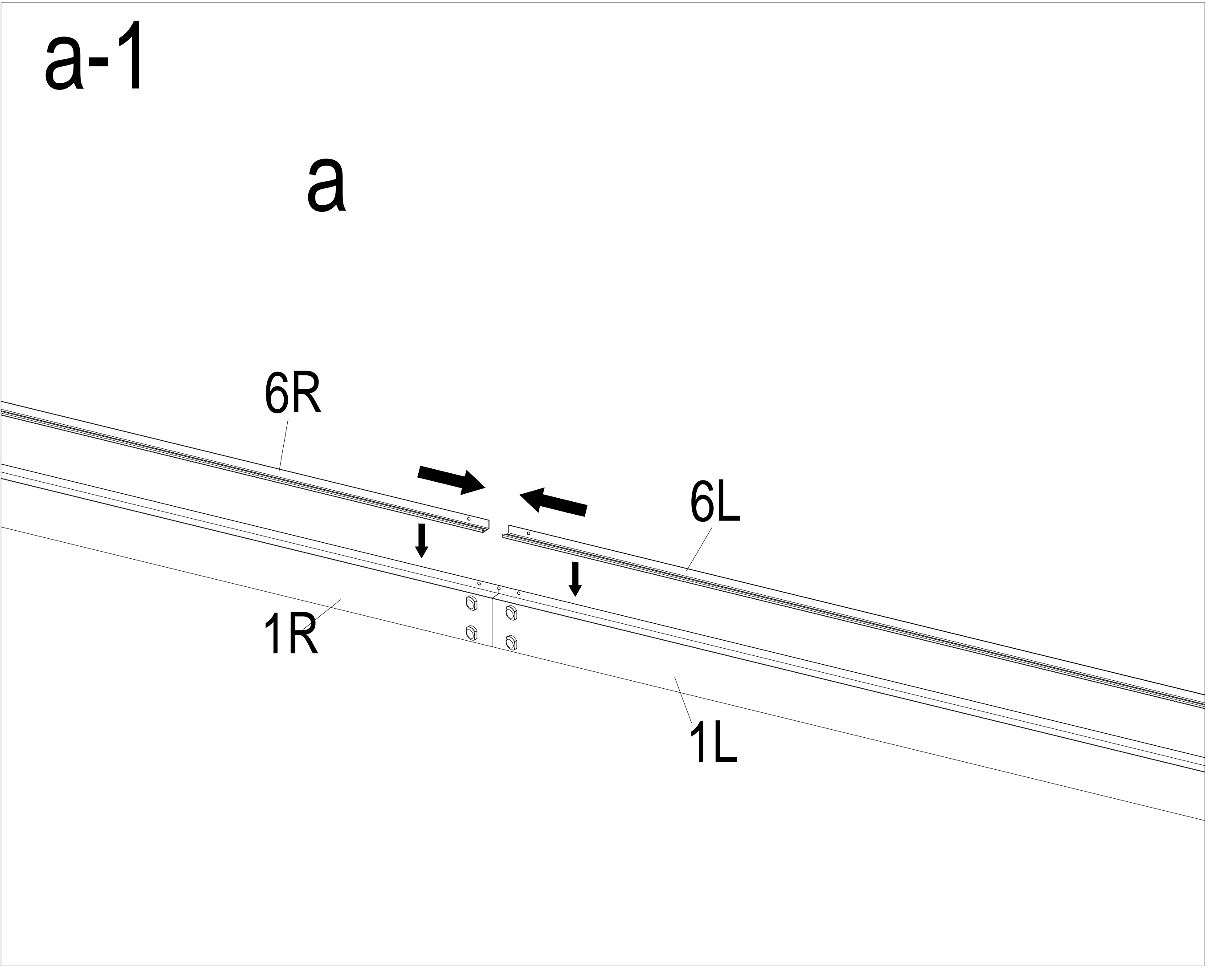
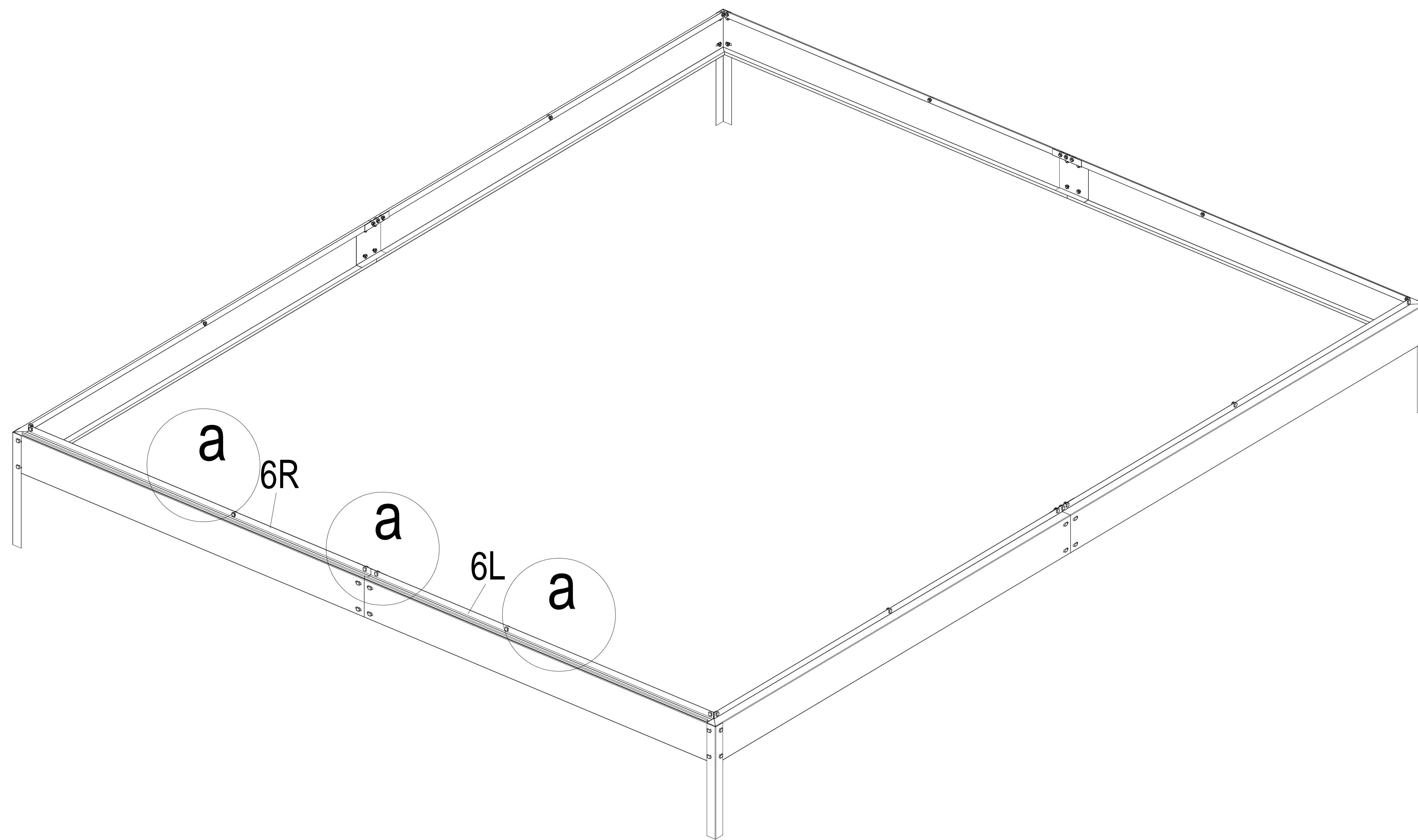
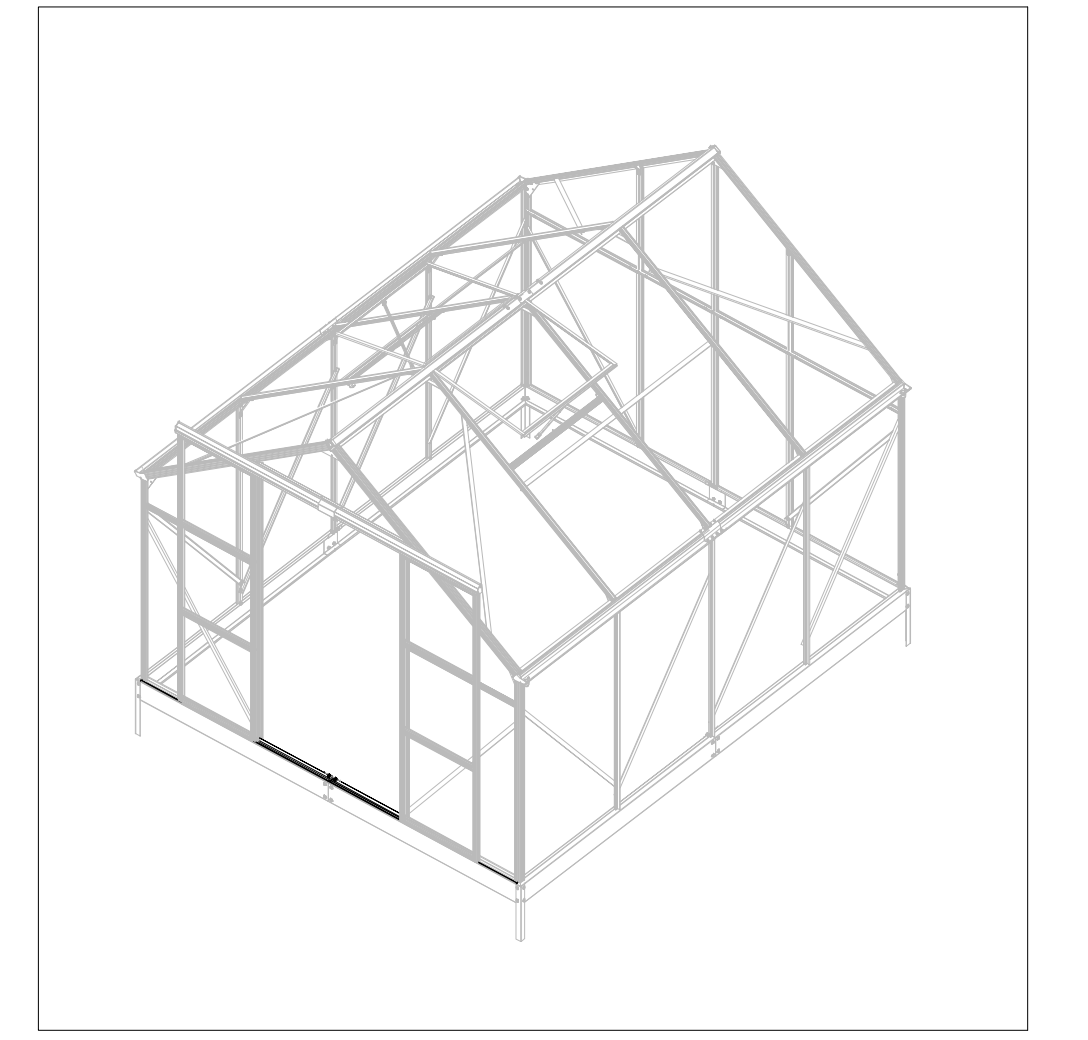
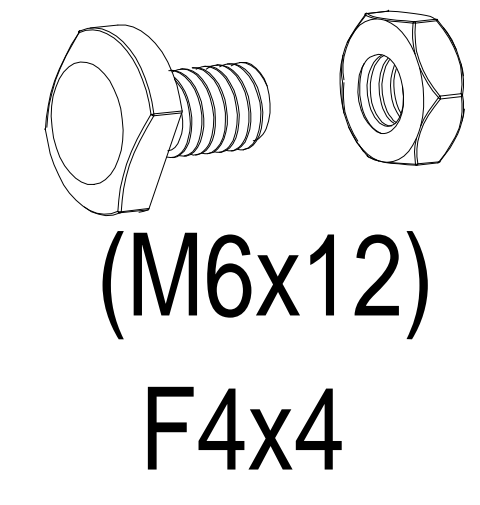
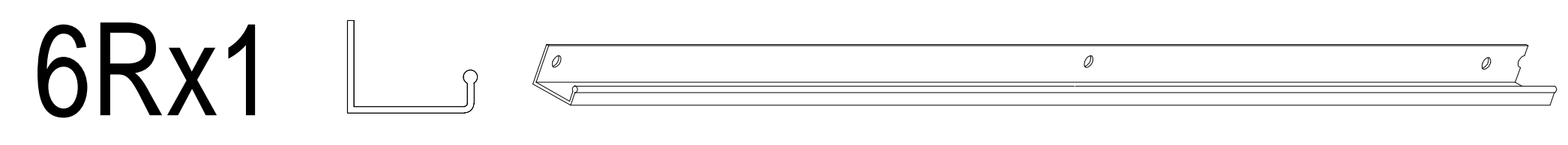
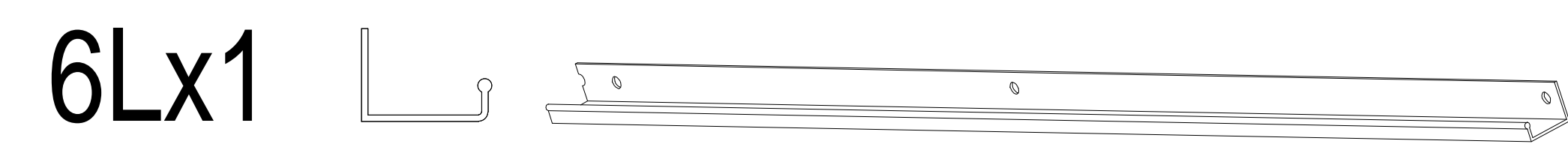




# Wall

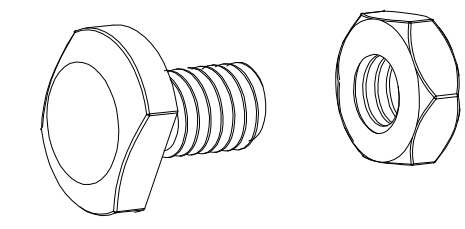
Item		Qty		MM	Item		Qty		MM
6L		1 PCS		1189	19		6 PCS		1272
6R		1 PCS		1189	B2		1 PCS		125
7		4 PCS		1272	B3		4 PCS		
10R		1 PCS		1774					
10L		1 PCS		1774	S2		12 PCS		670
12		4 PCS		672	S3		2 PCS		430
15		2 PCS		441					
14L		1 PCS		1189	F4		62 PCS		M6x12
14R		1 PCS		1189	F9		8 PCS		M6x8
9		2 PCS		1748					
13		1 PCS		983					

# Wall

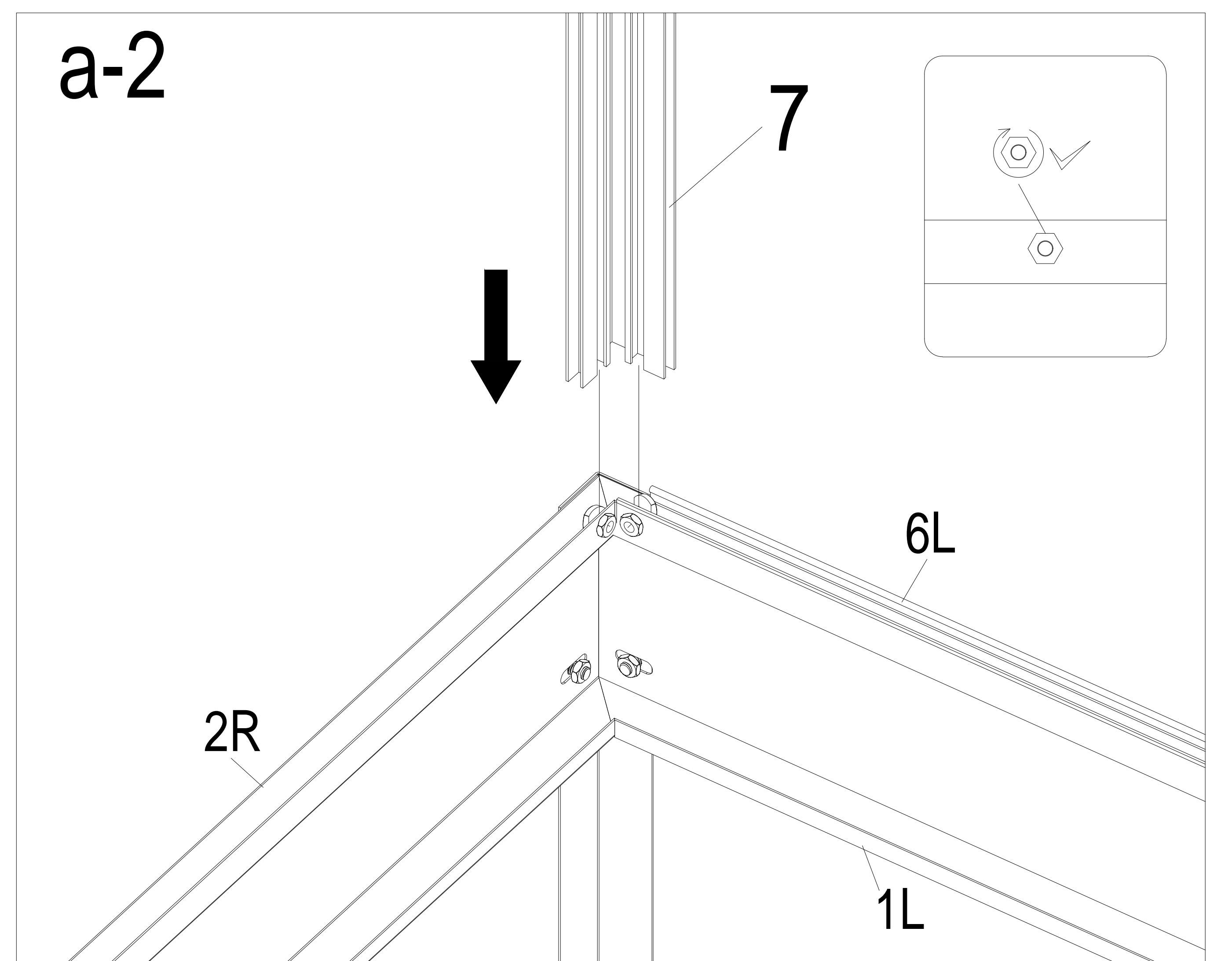
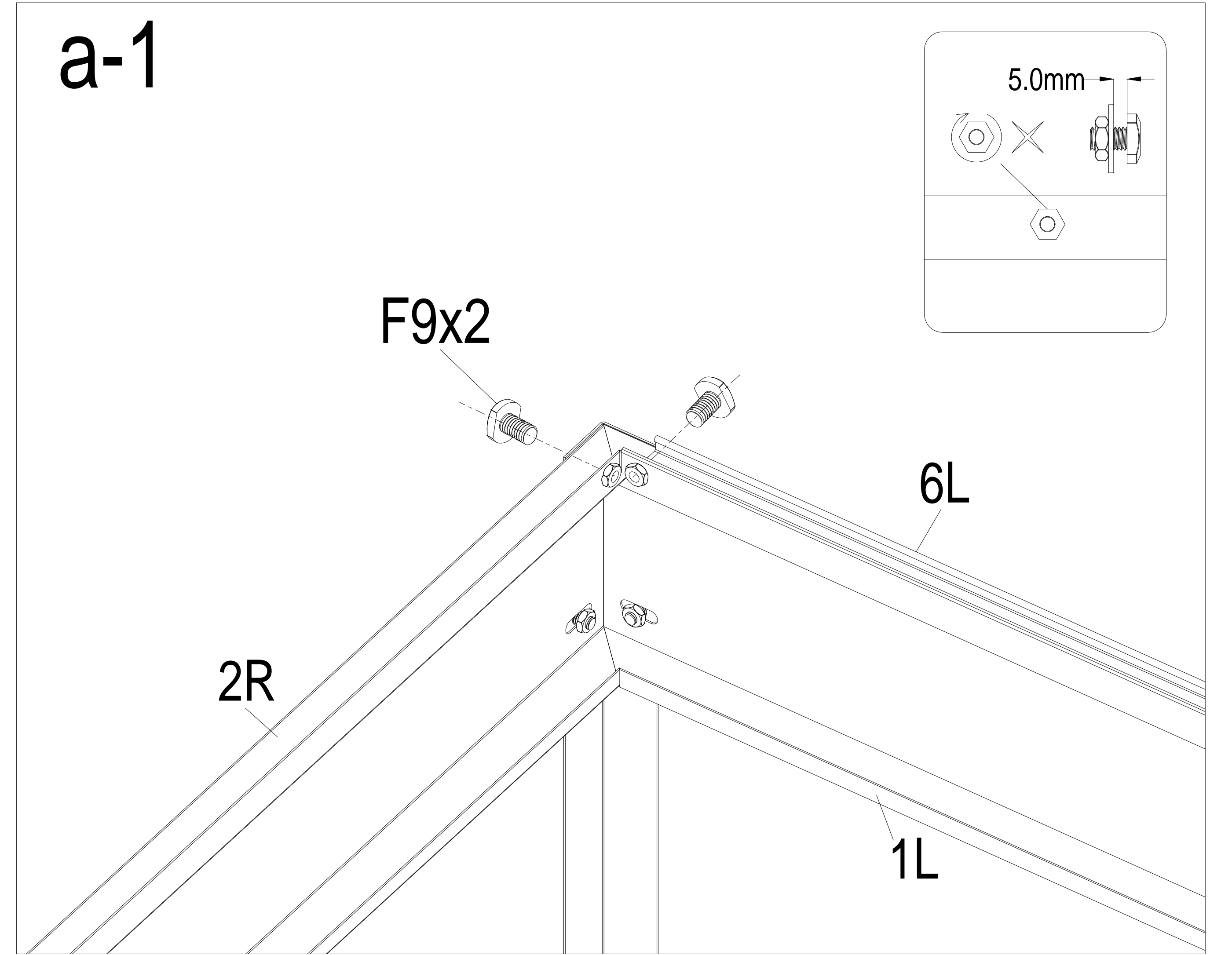
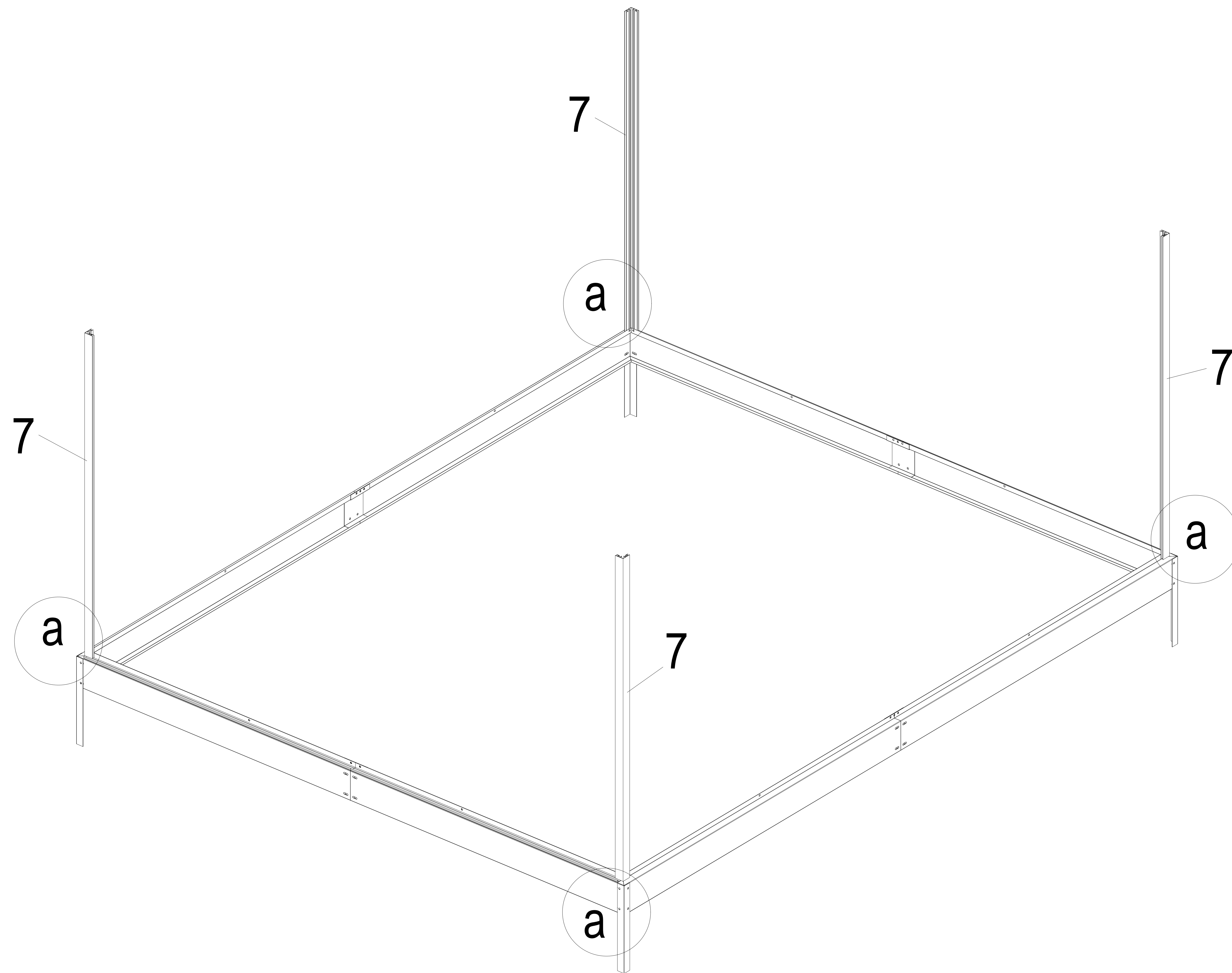
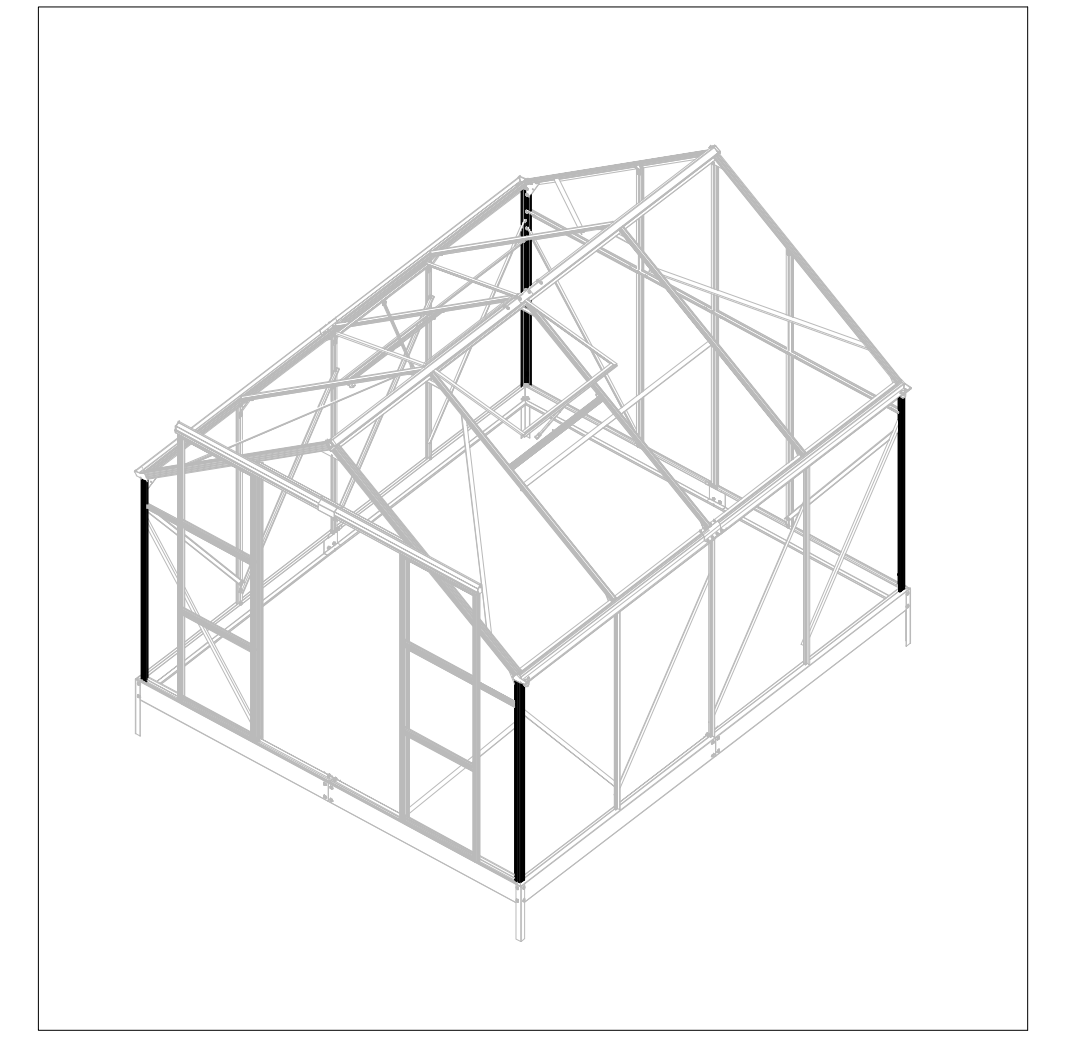


# Wall

7x4

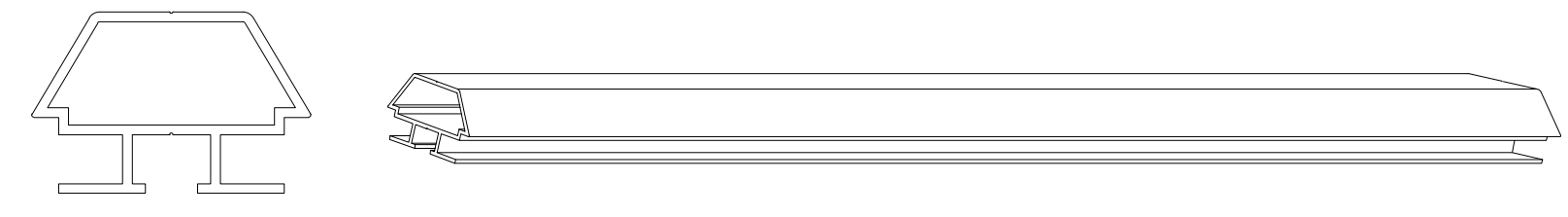


(M6x8)  
F9x8

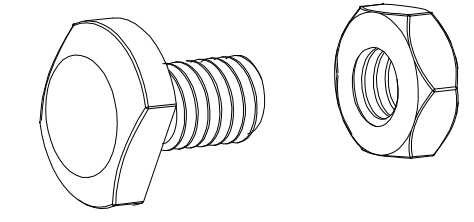
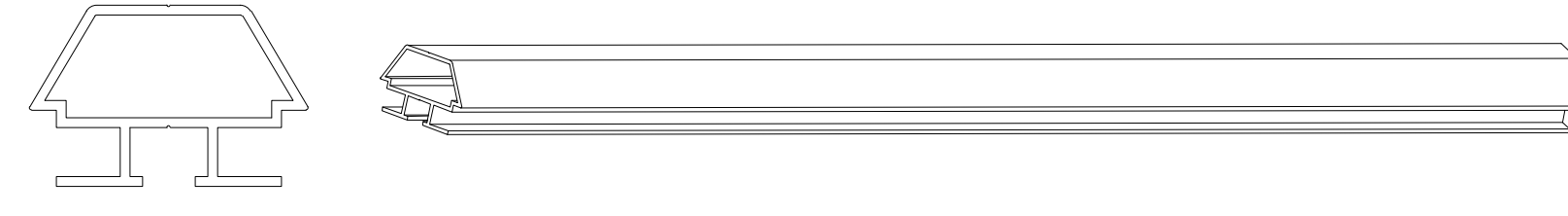


# Wall

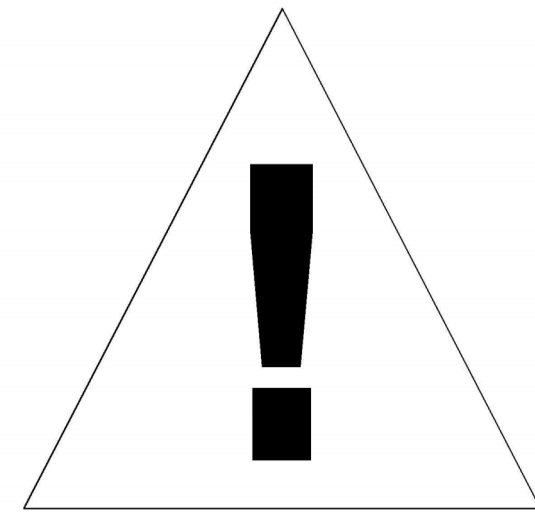
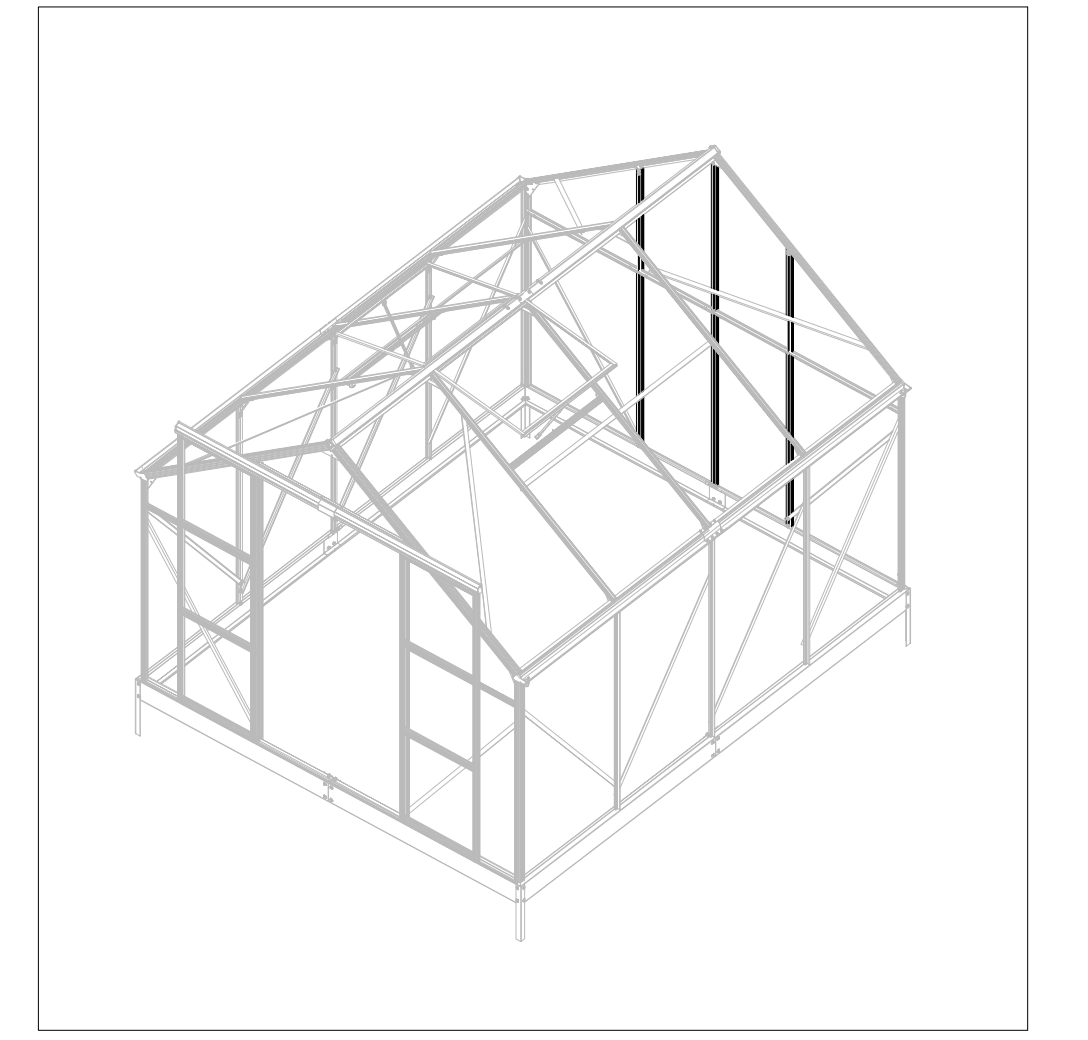
10Rx1



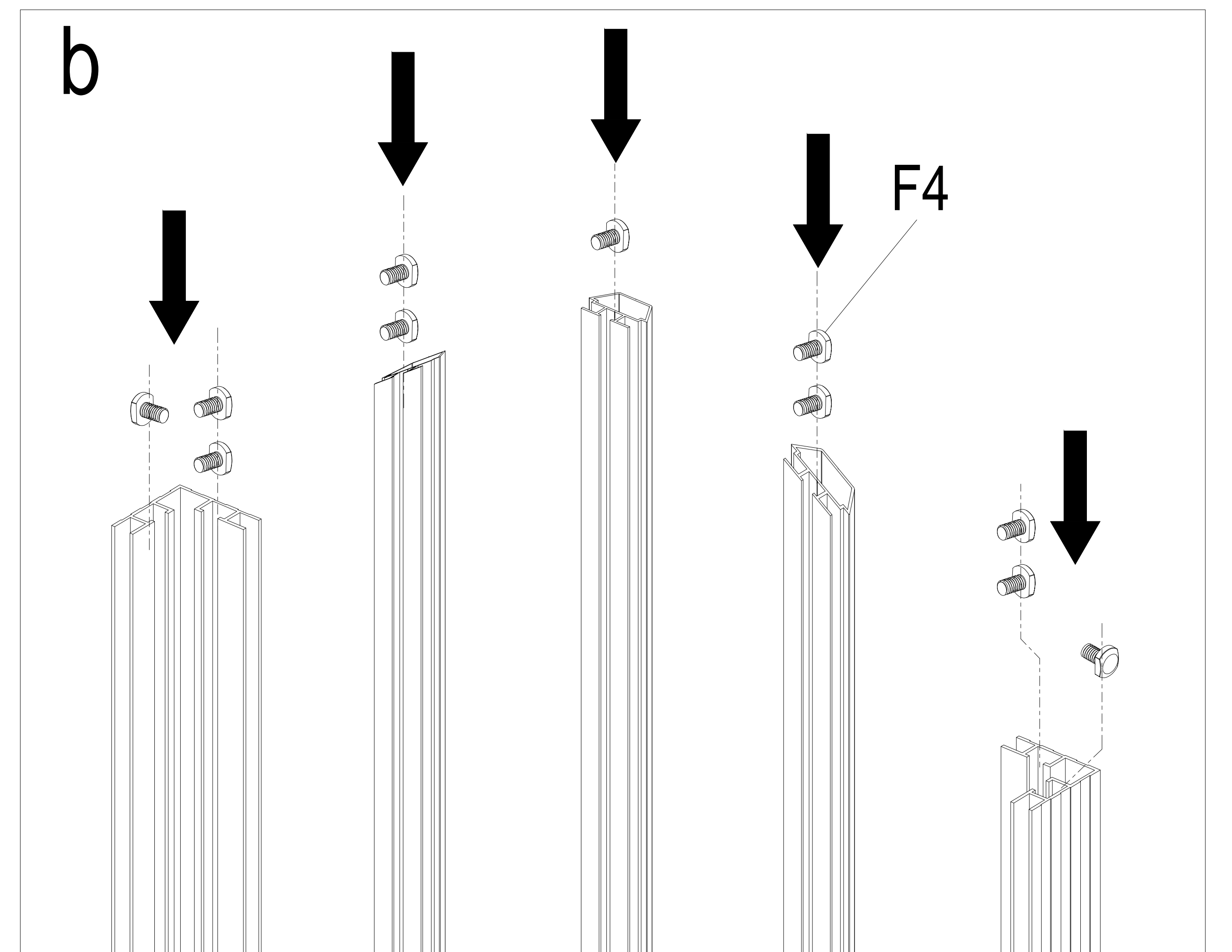
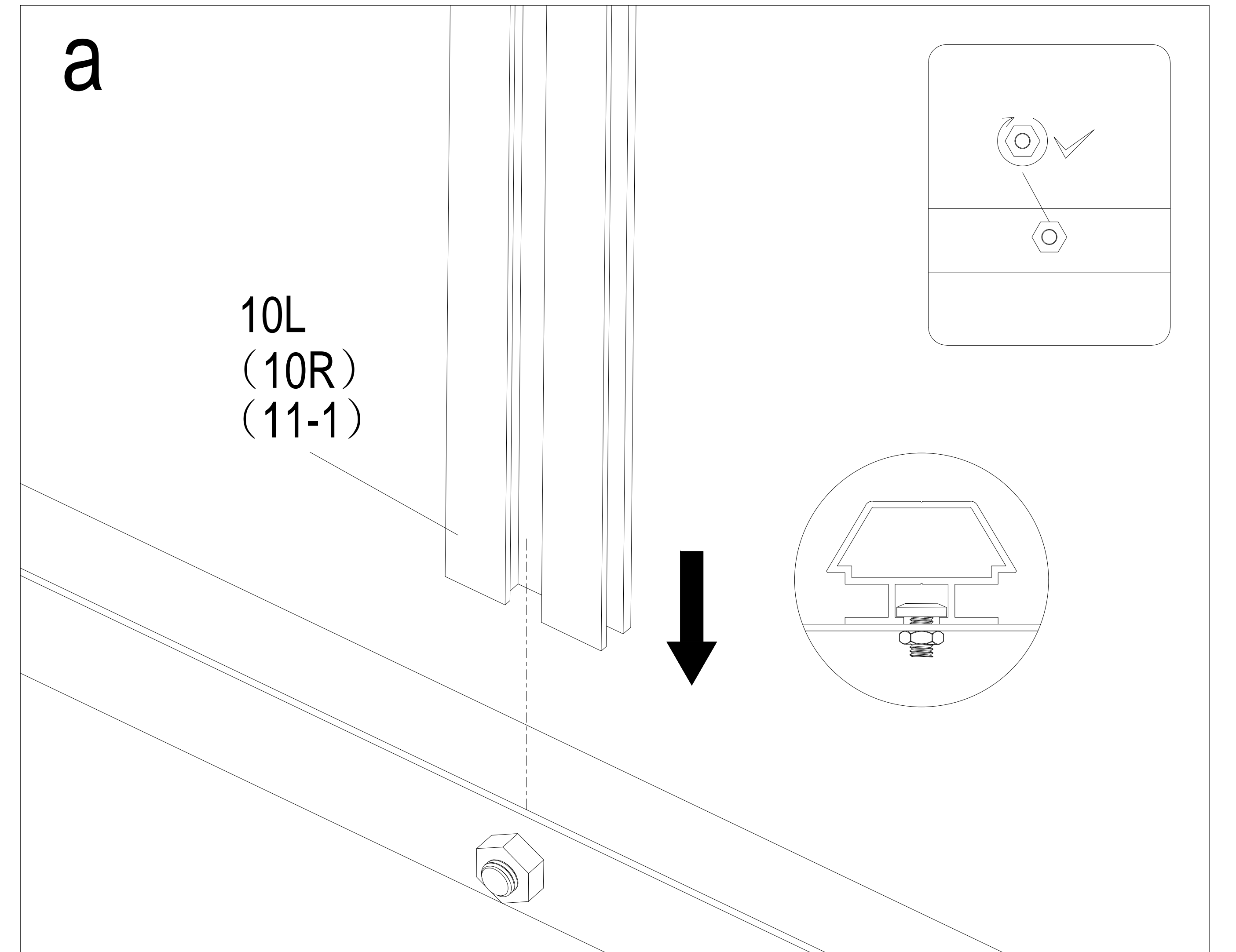
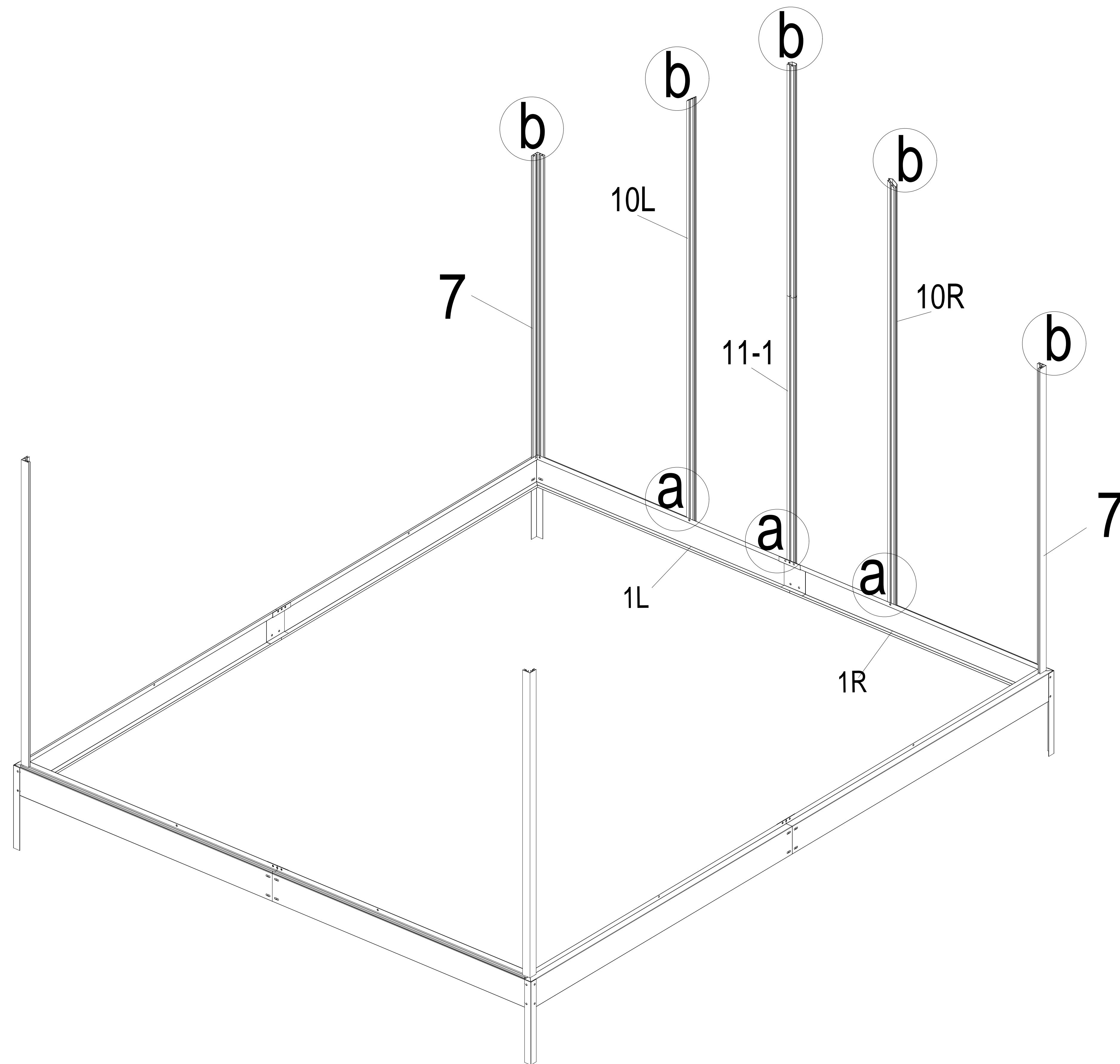
10Lx1



(M6x12)  
F4x11

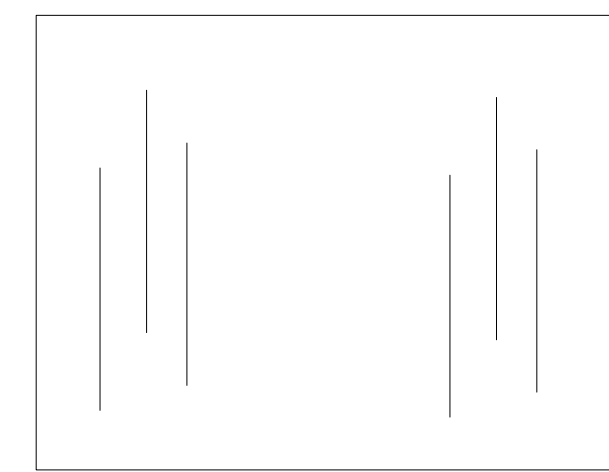
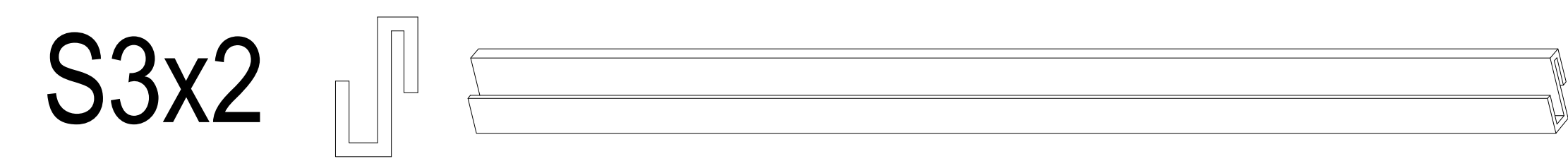
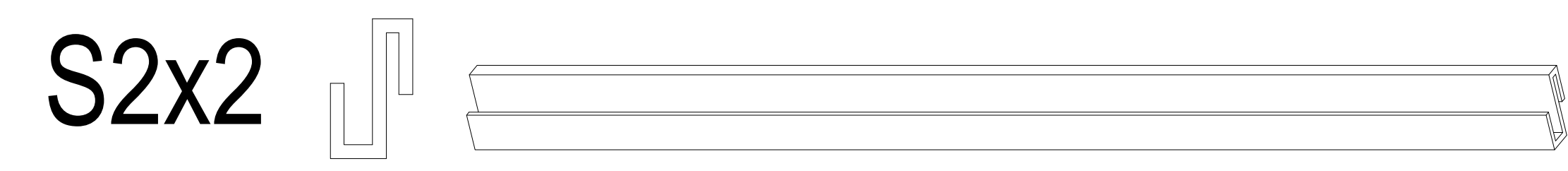


Install the screws in advance according to the instruction

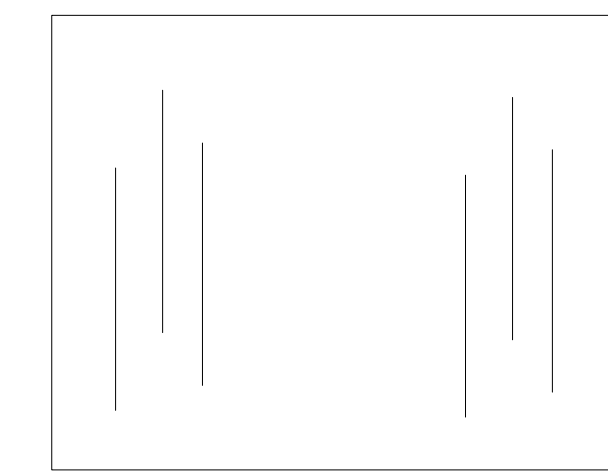




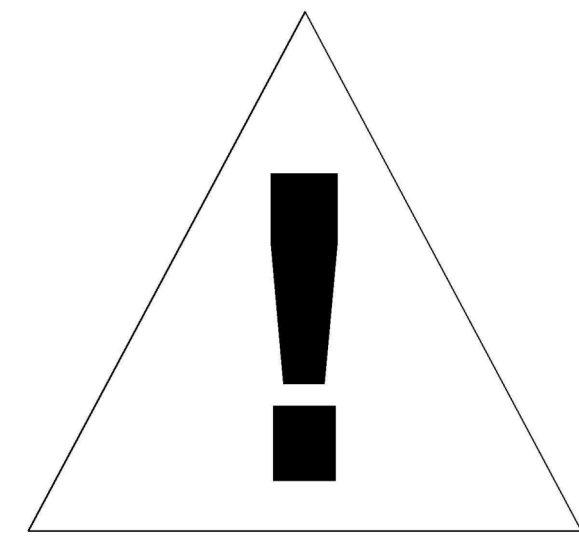
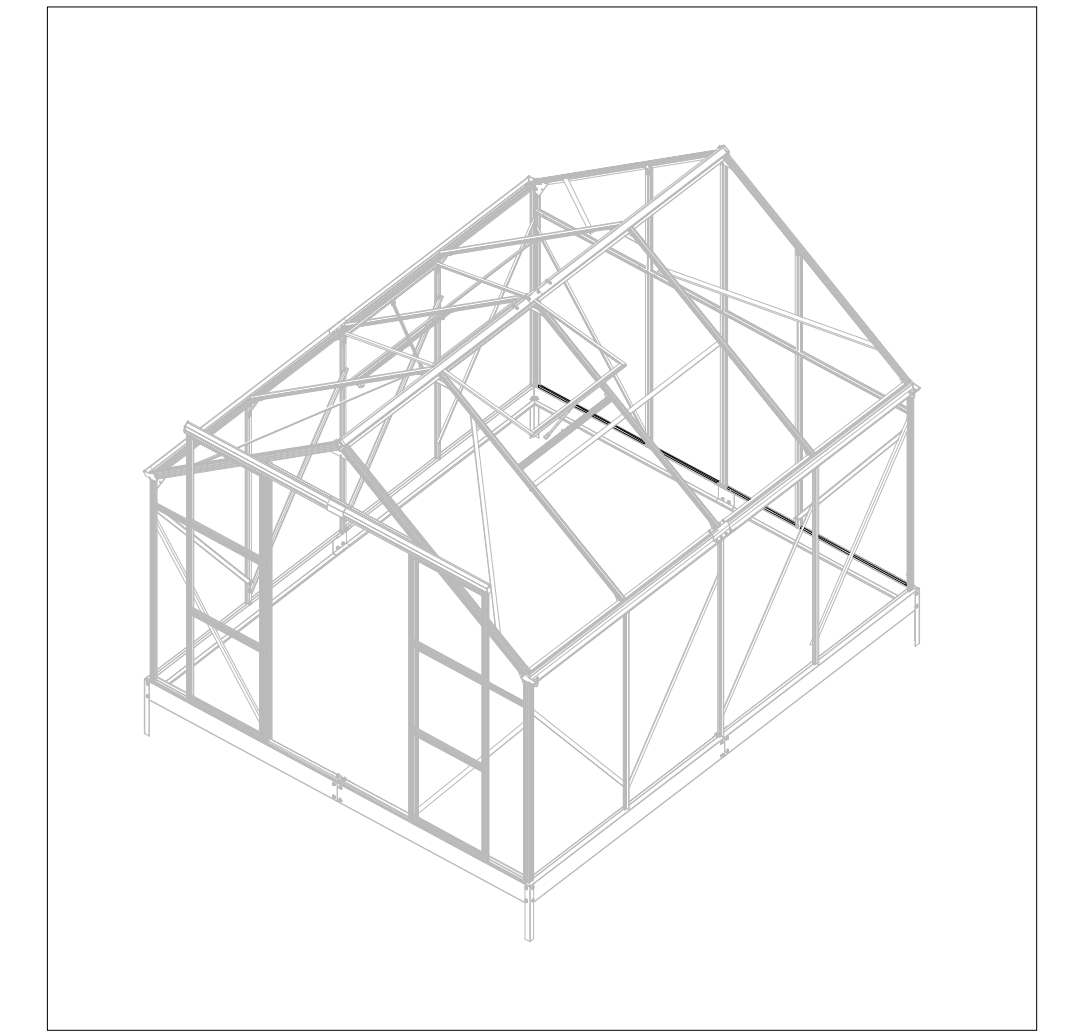
# Wall



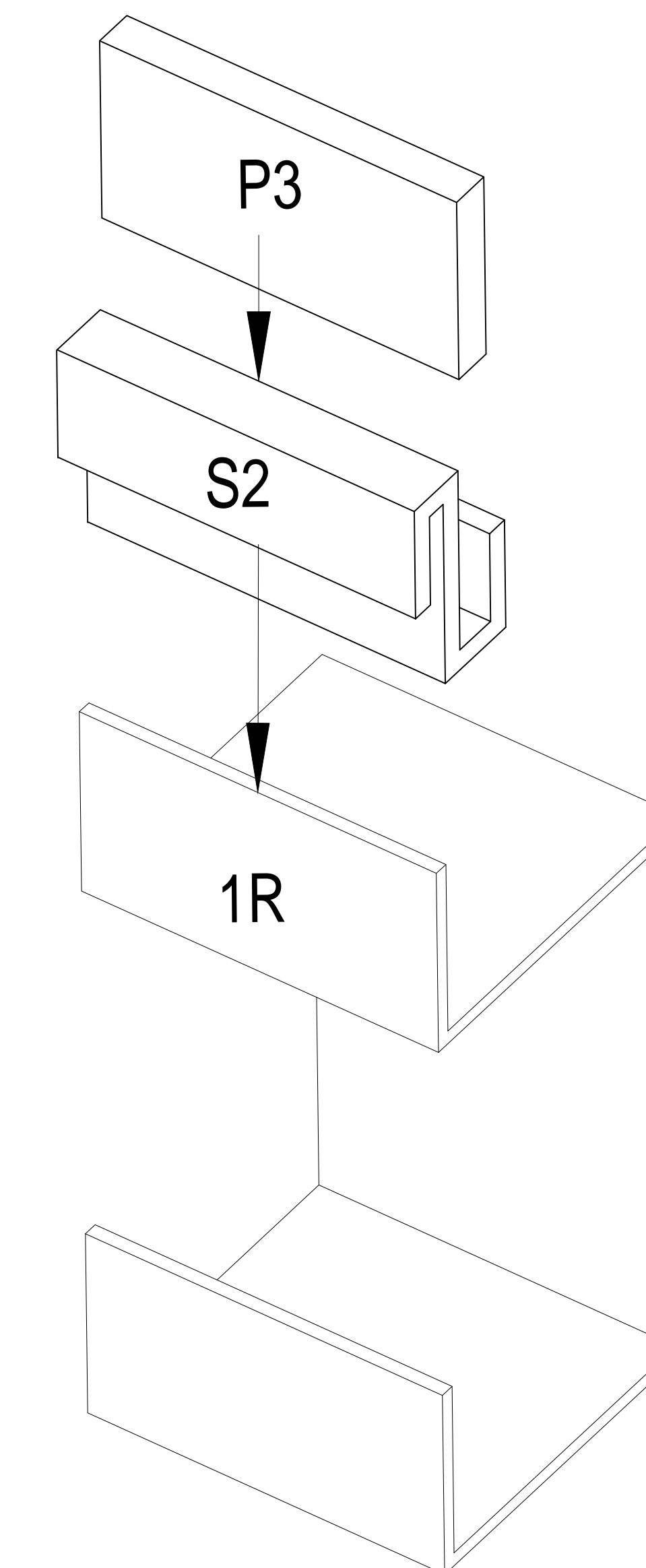
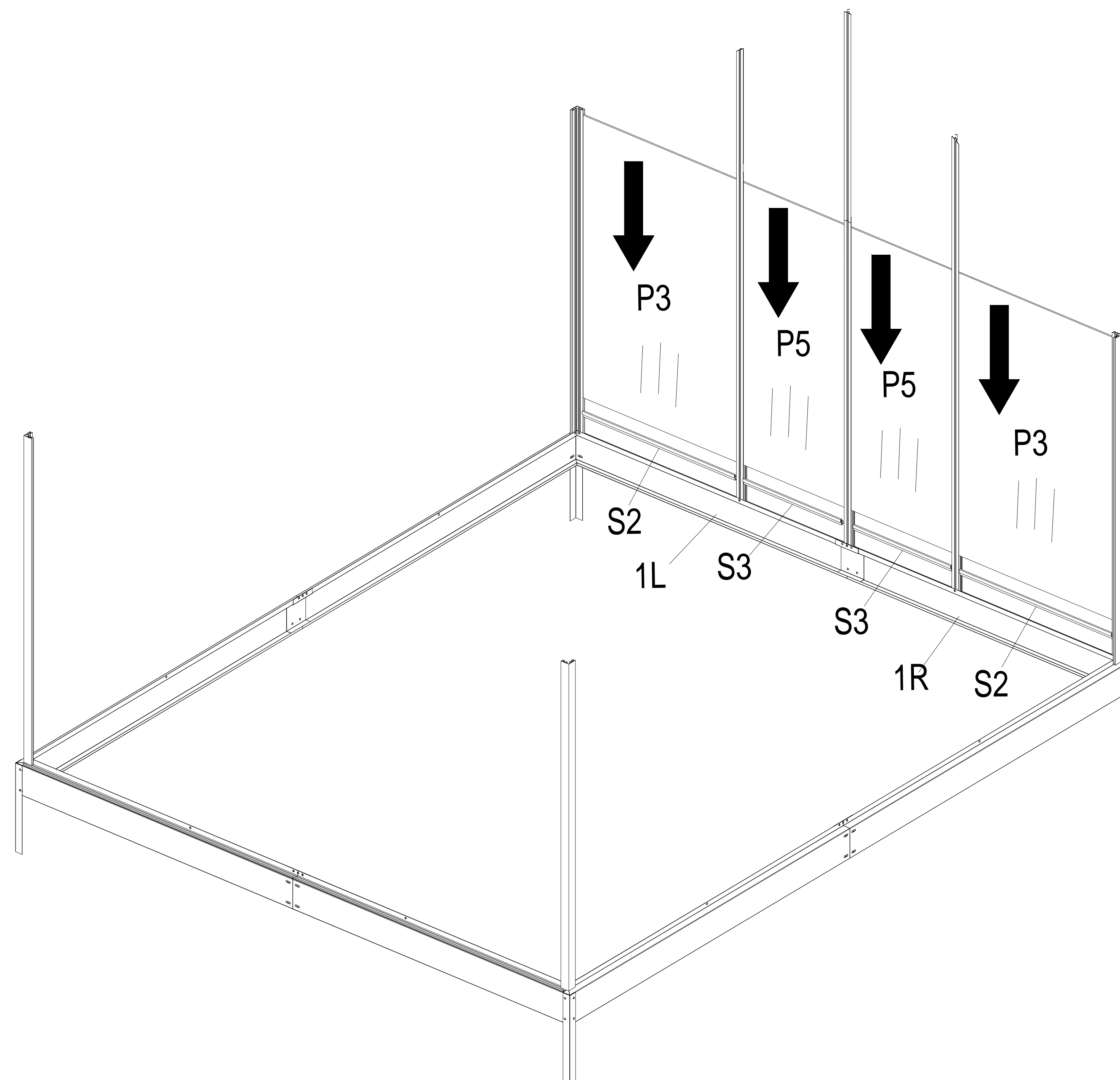
P3 x2



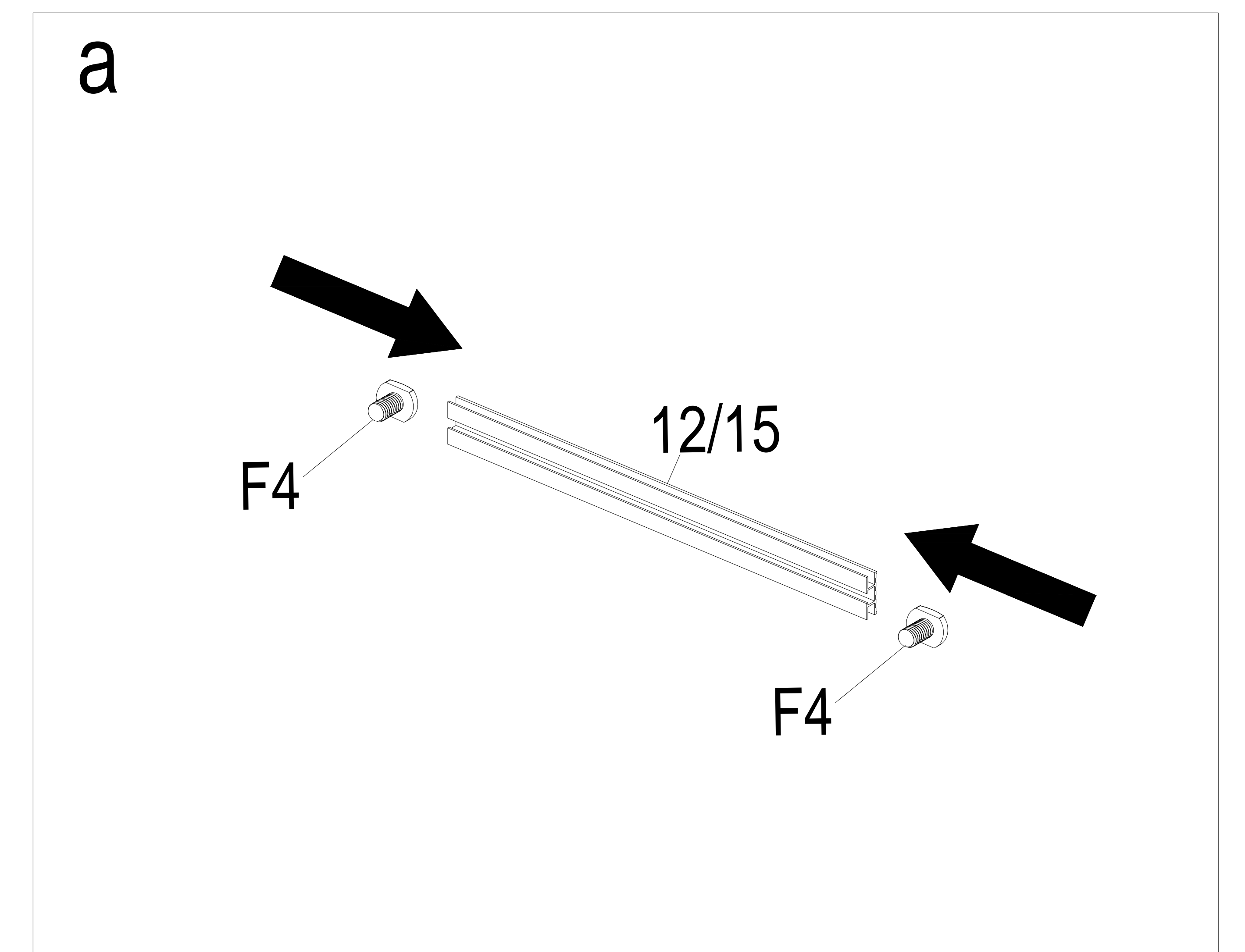
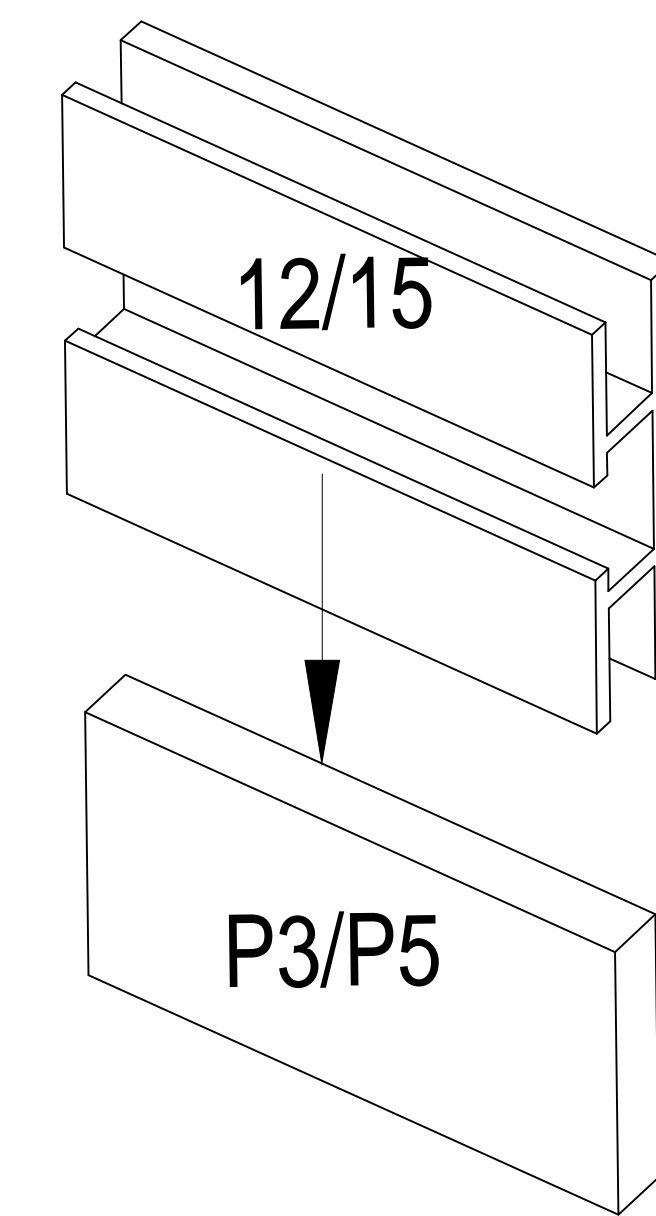
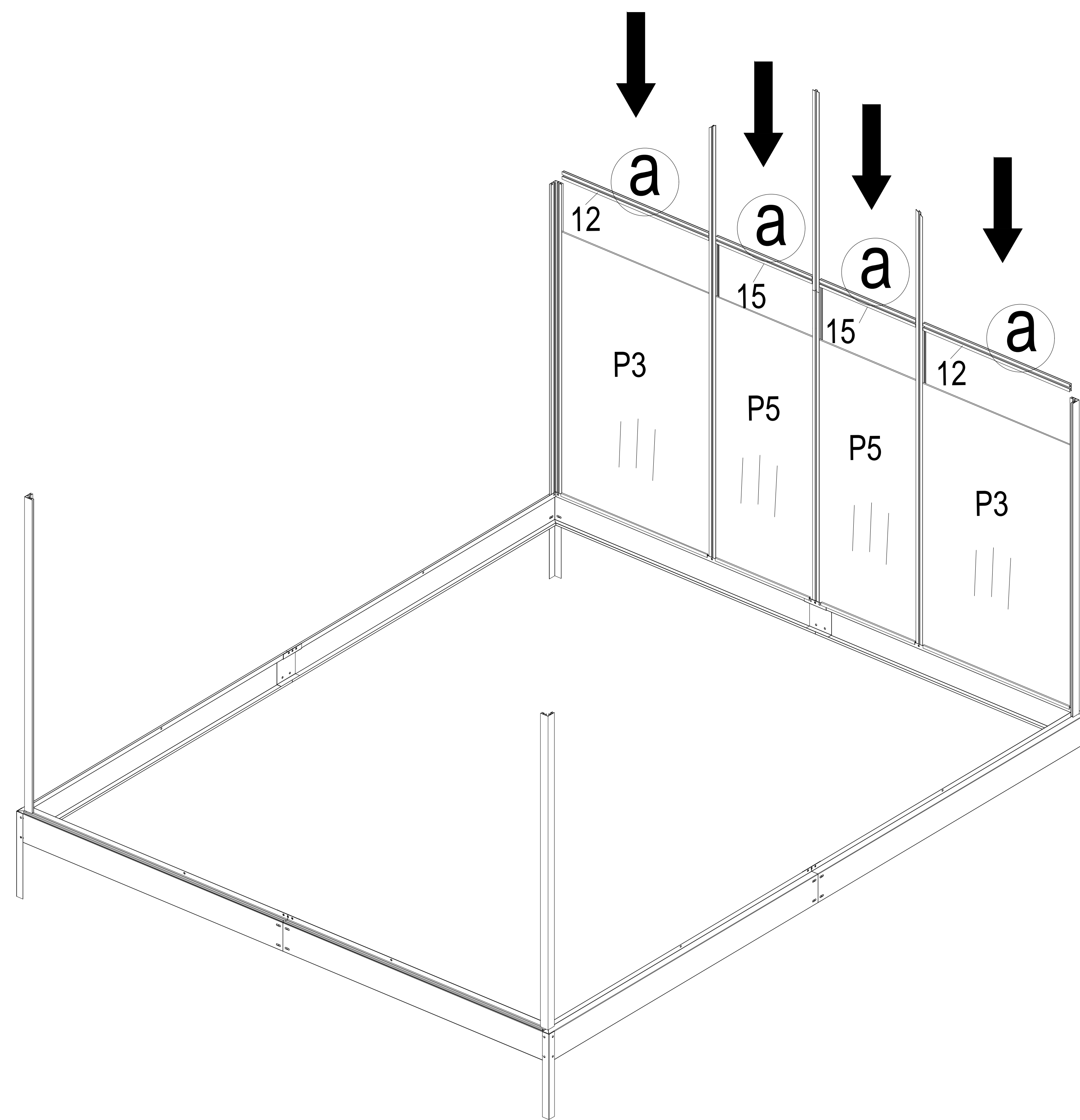
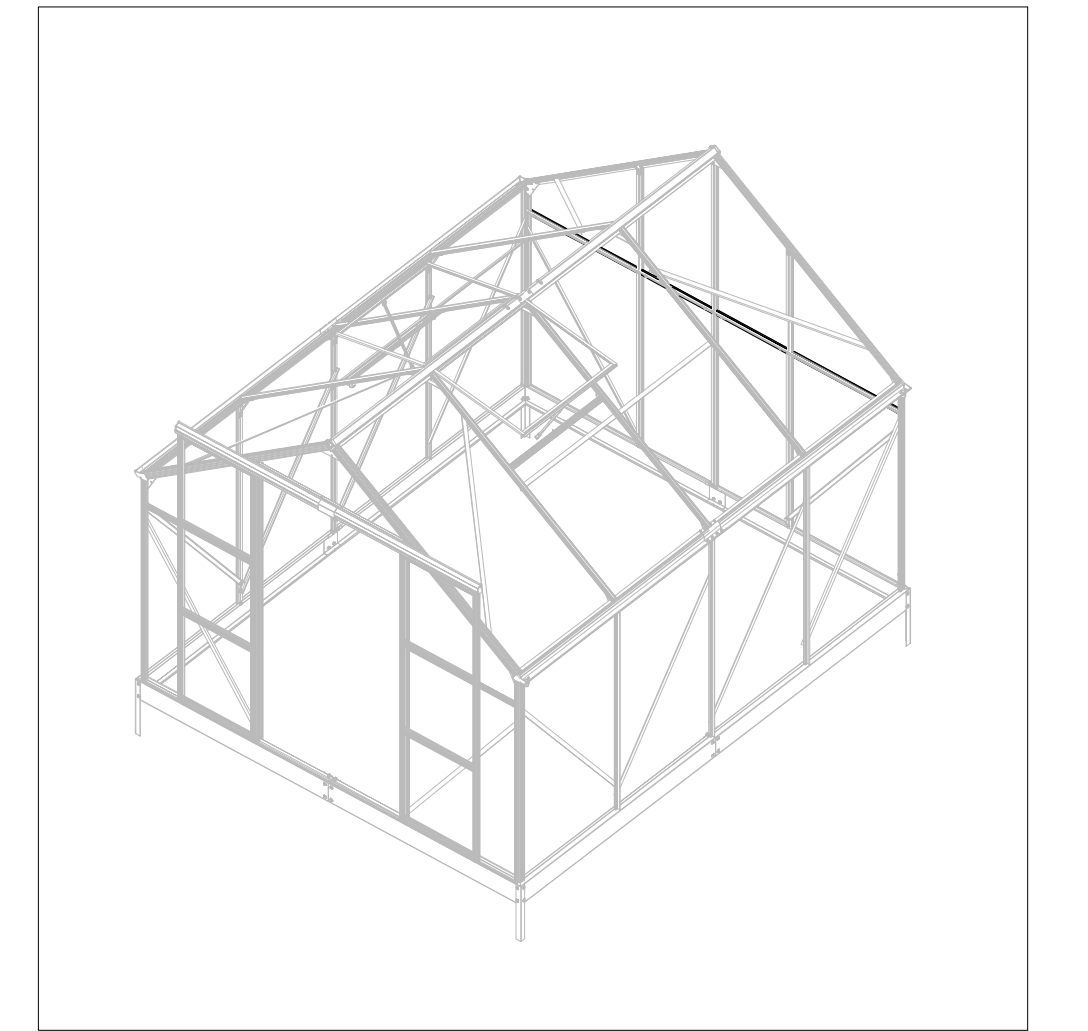
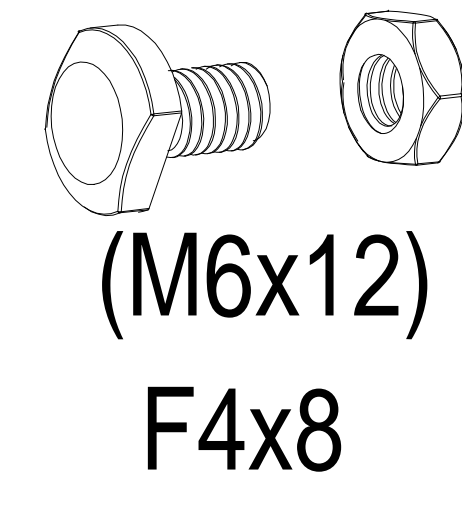
P5 x2



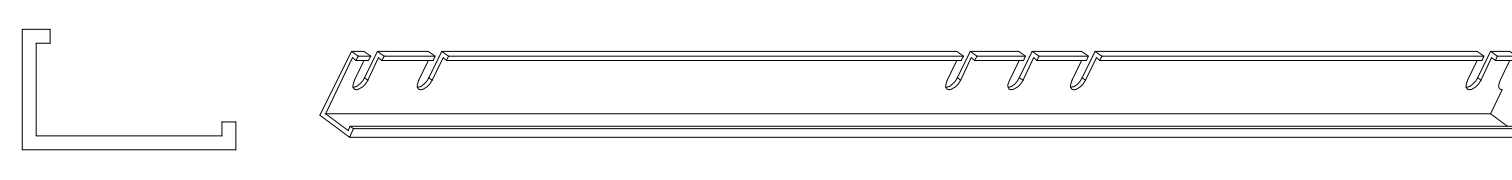
Tear off the film before inserted into the board and the side of white film needs faced out.

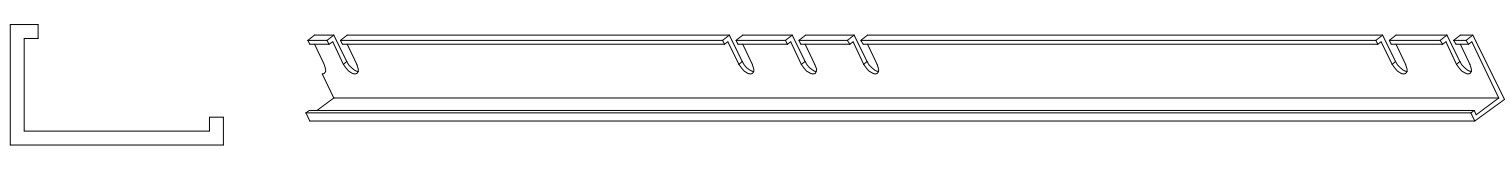


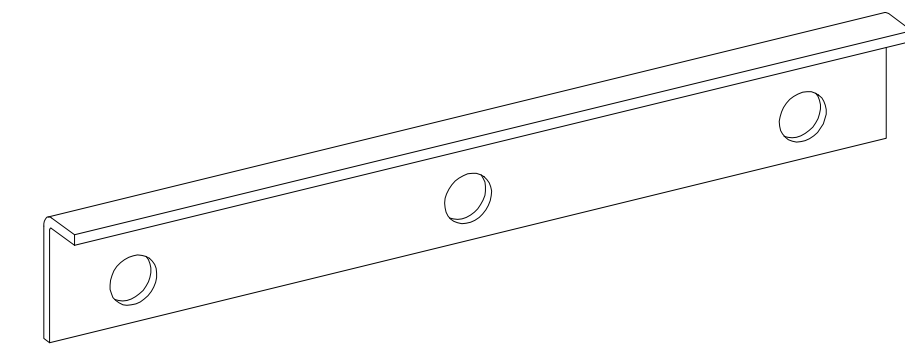
# Wall



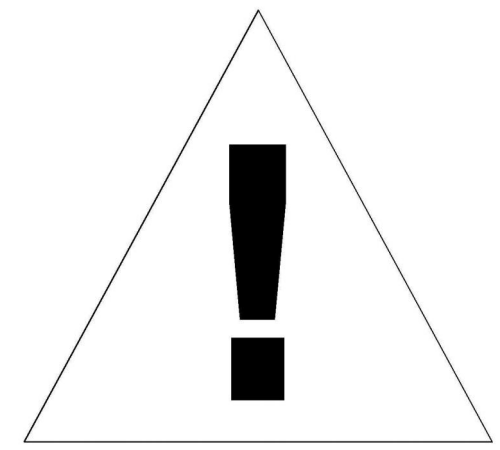
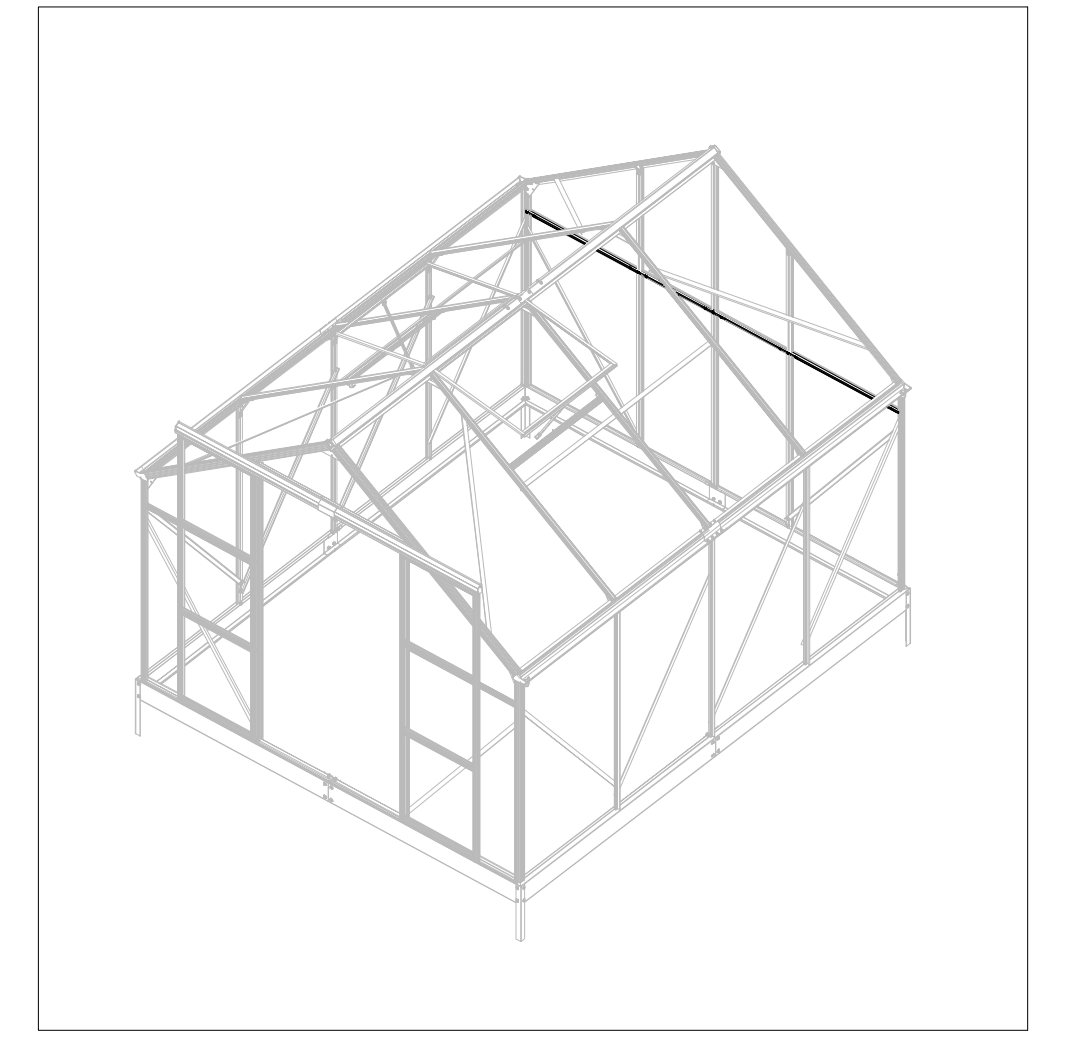
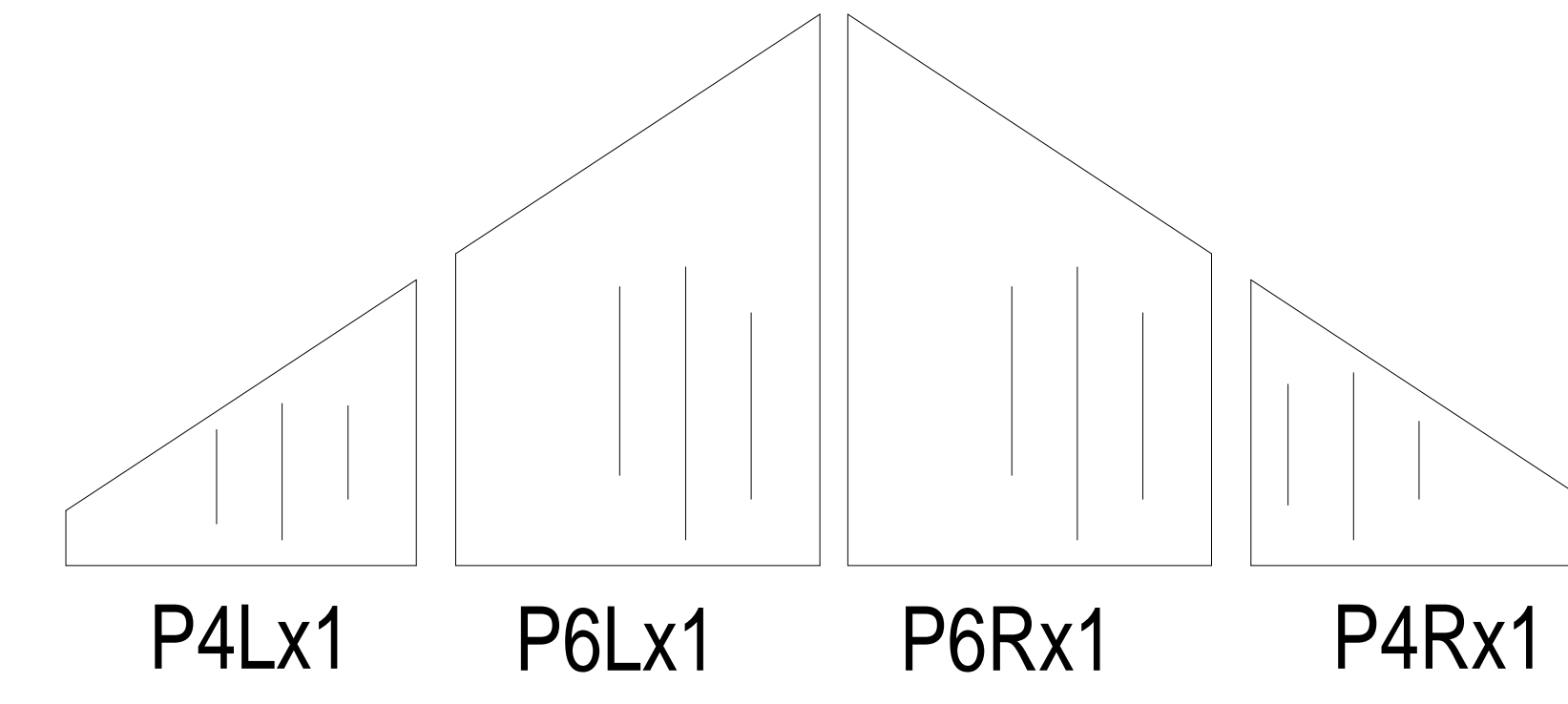
# Wall

14Lx1 

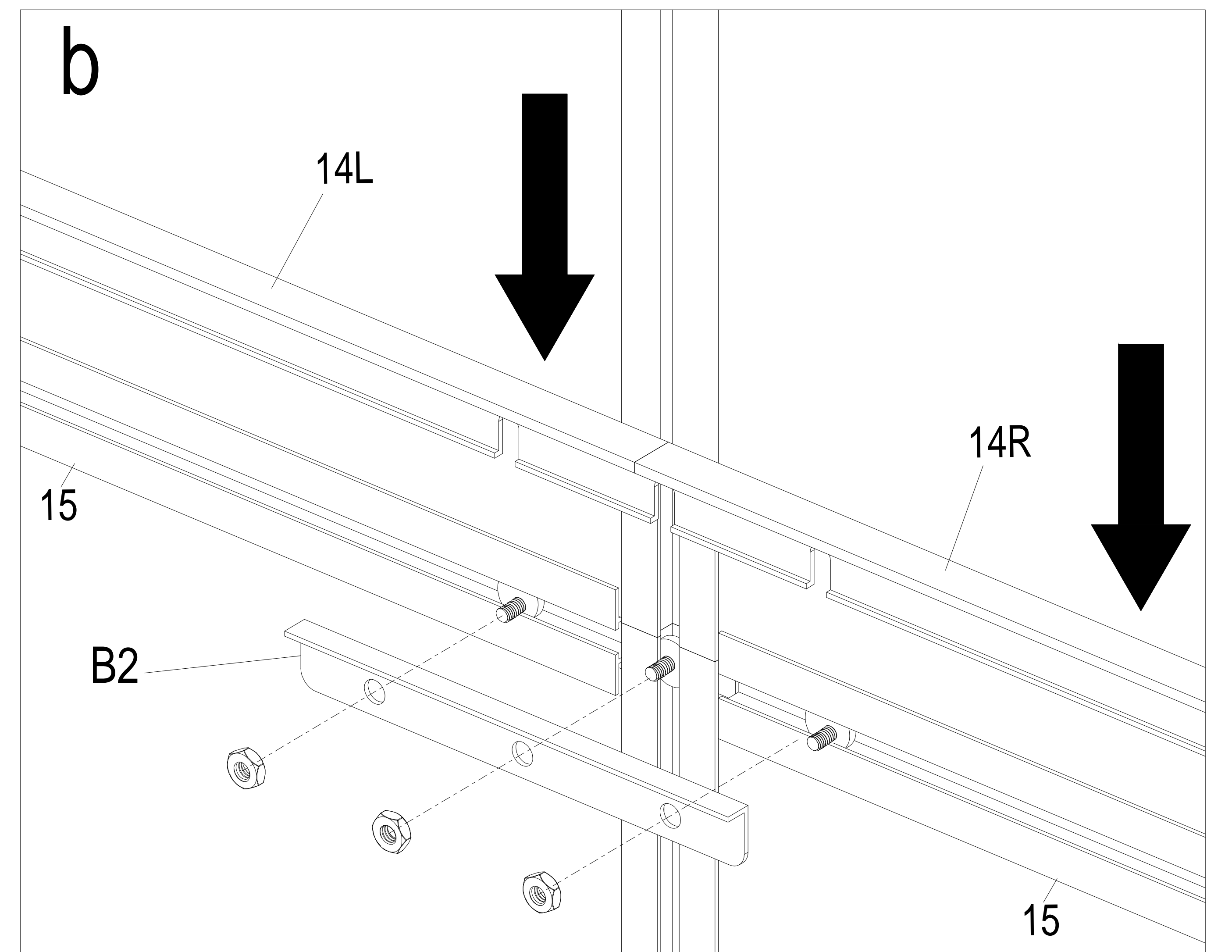
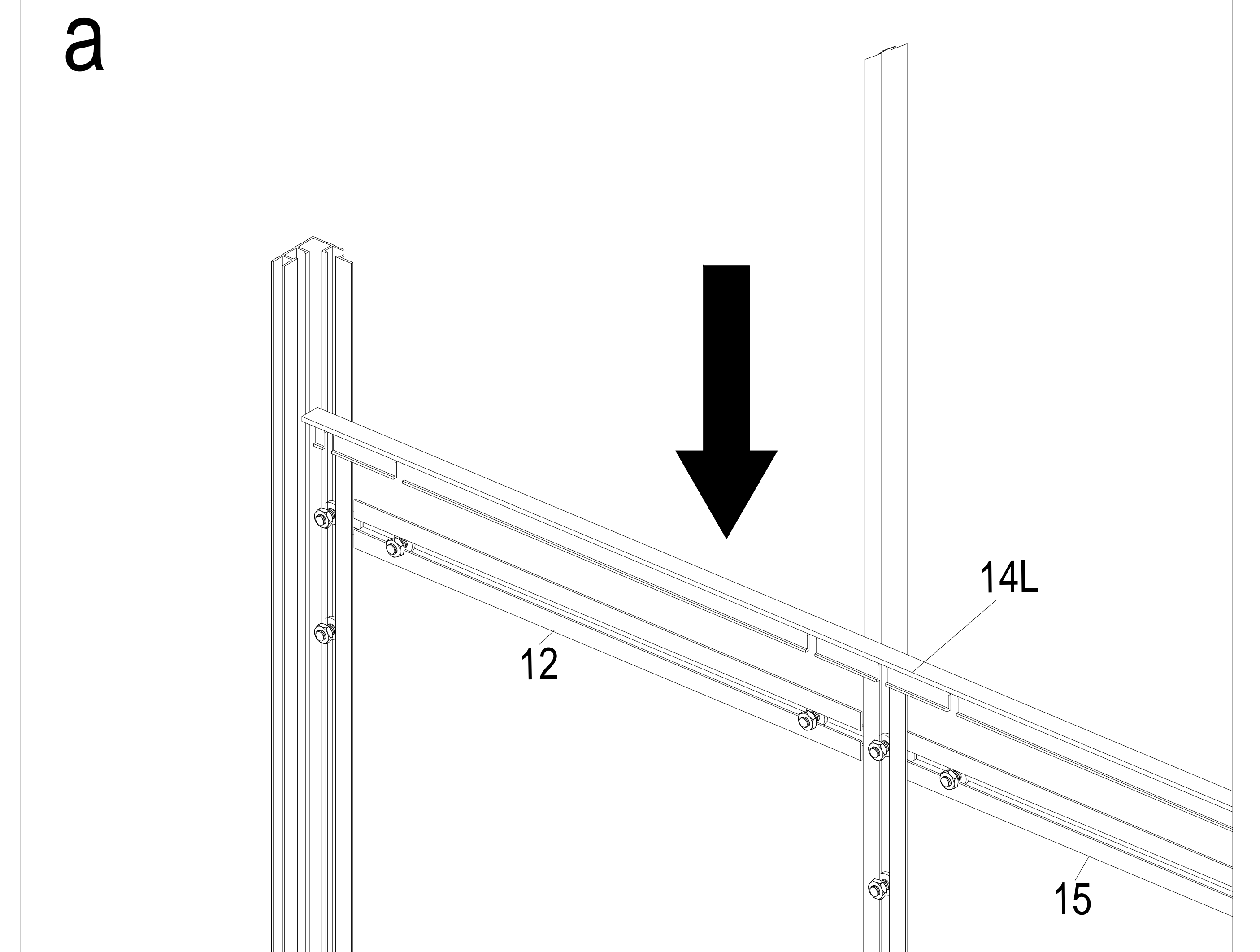
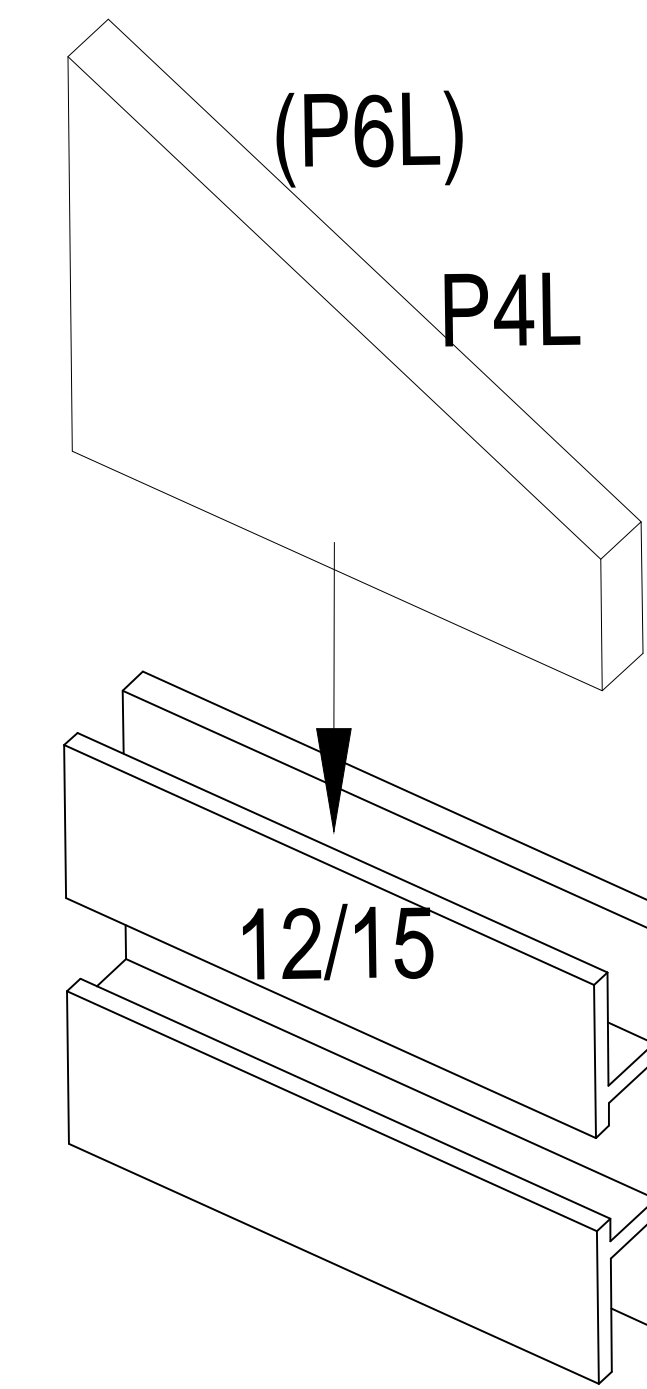
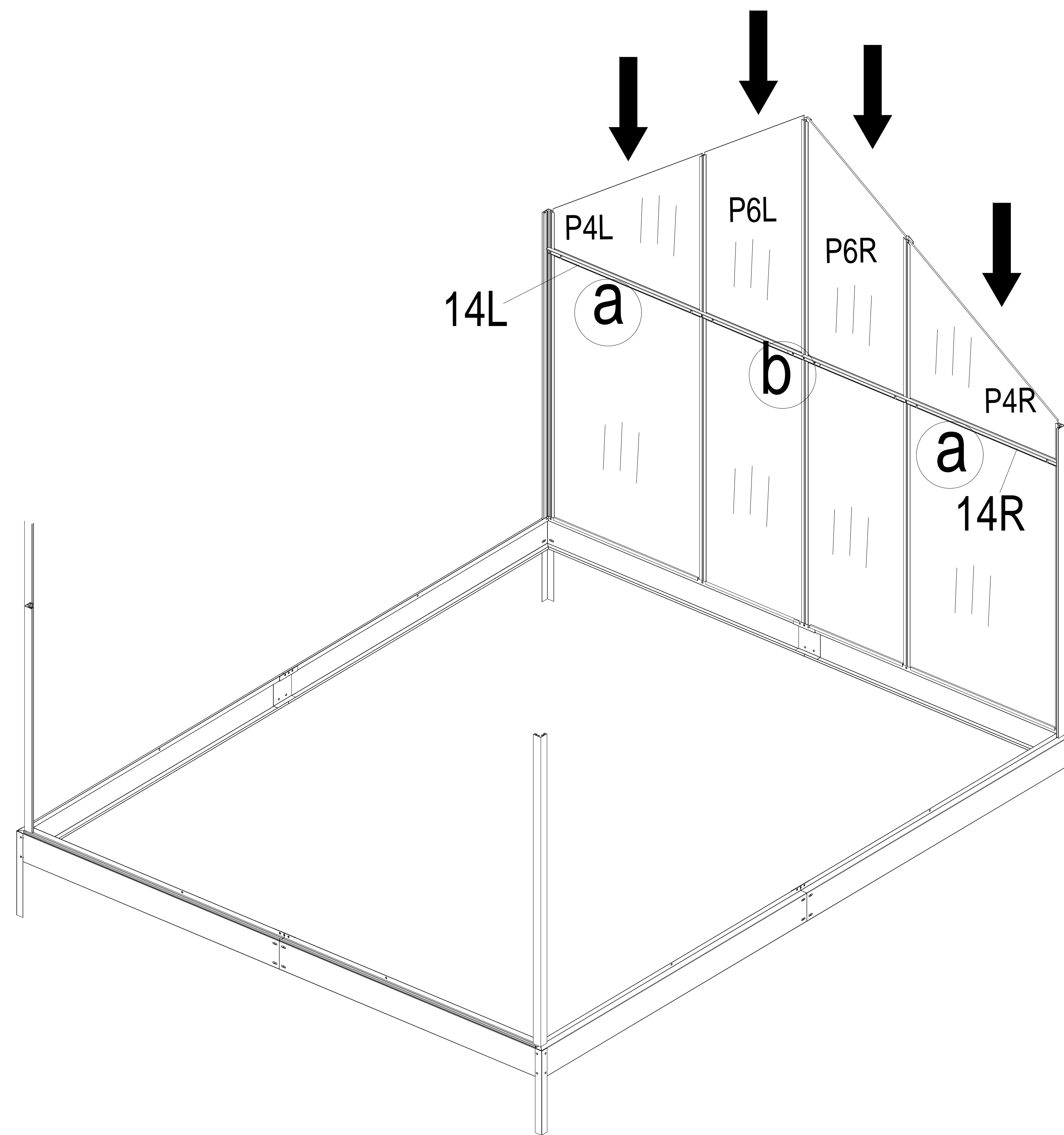
14Rx1 



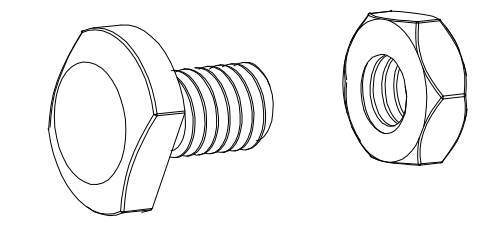
B2x1



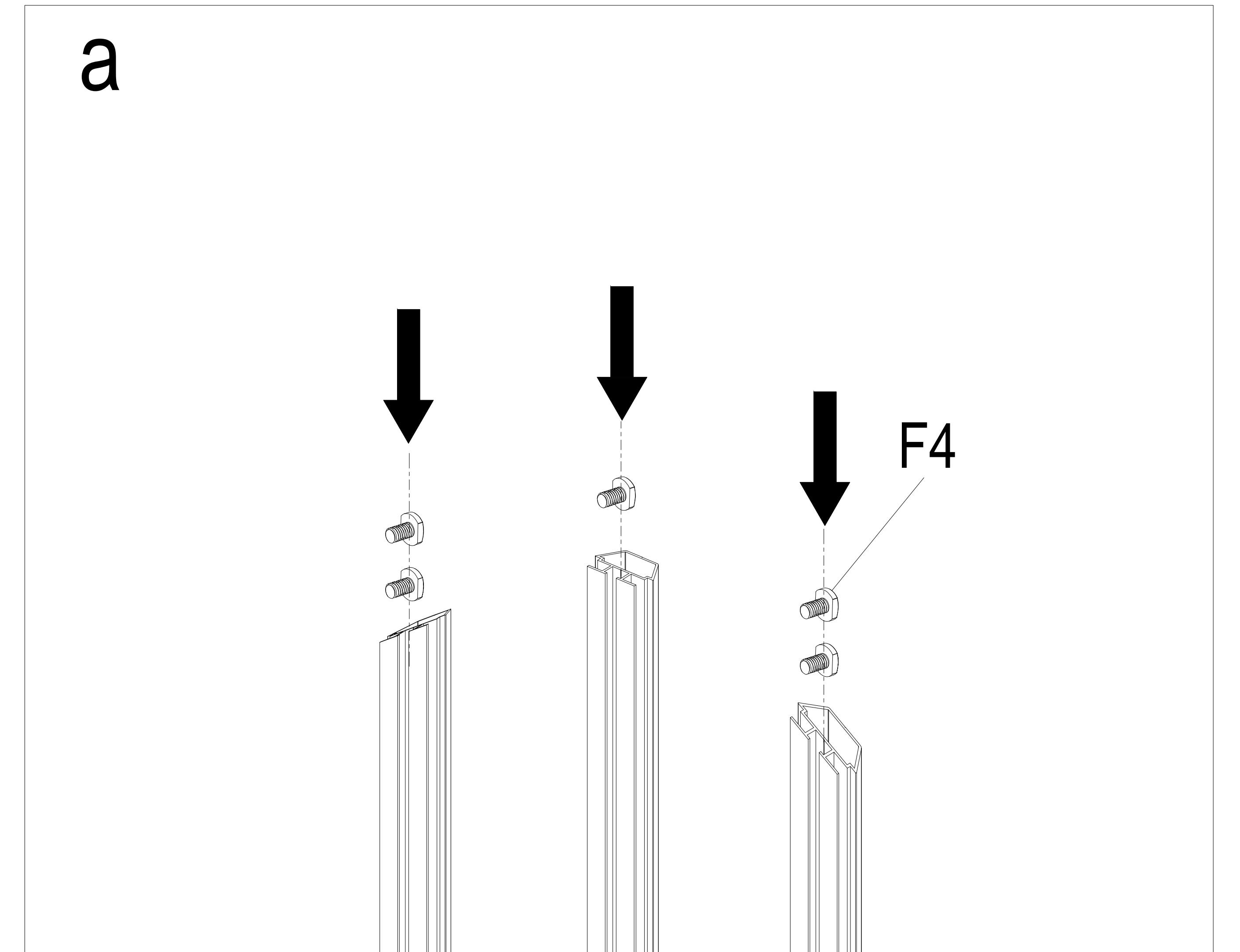
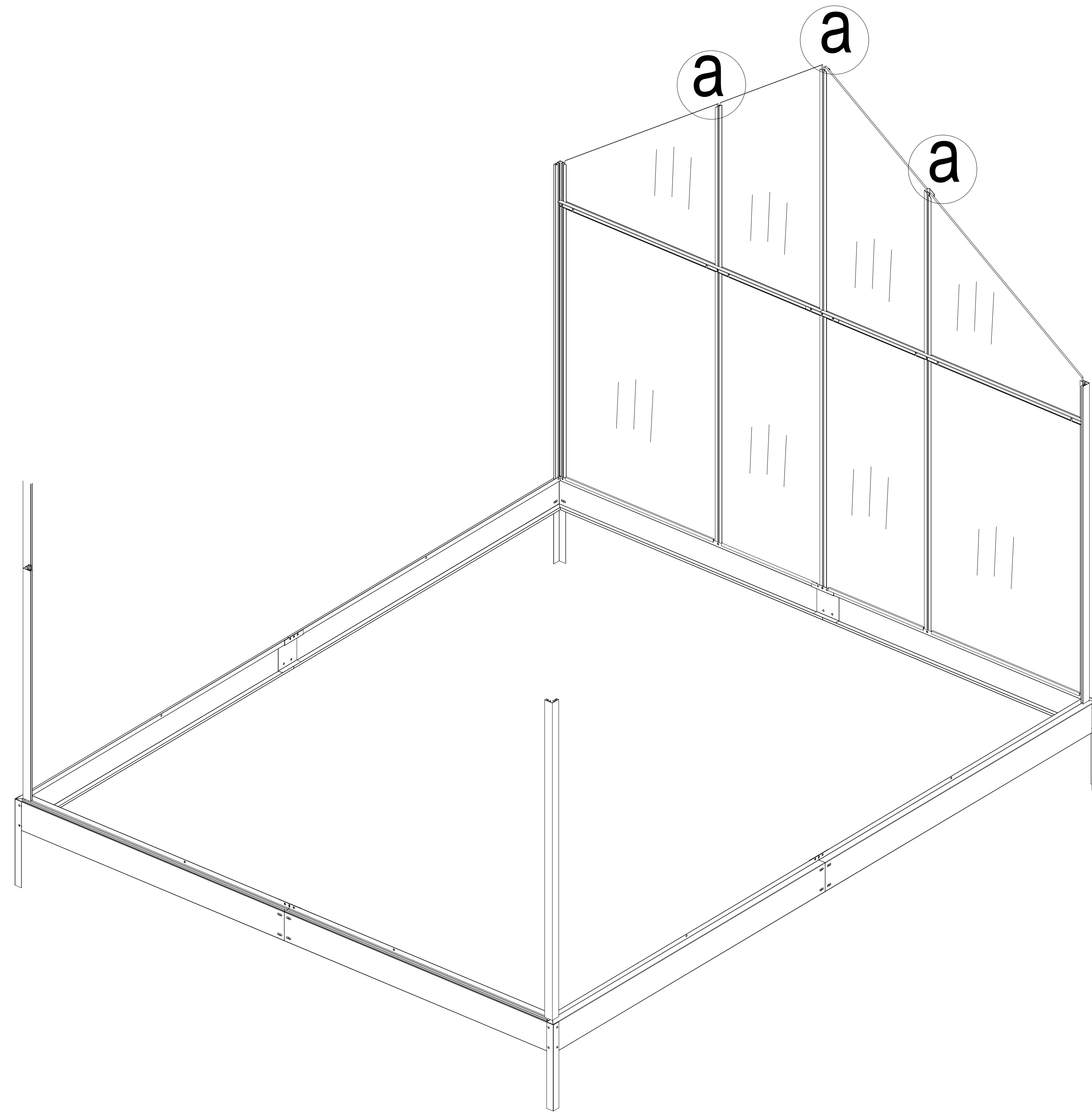
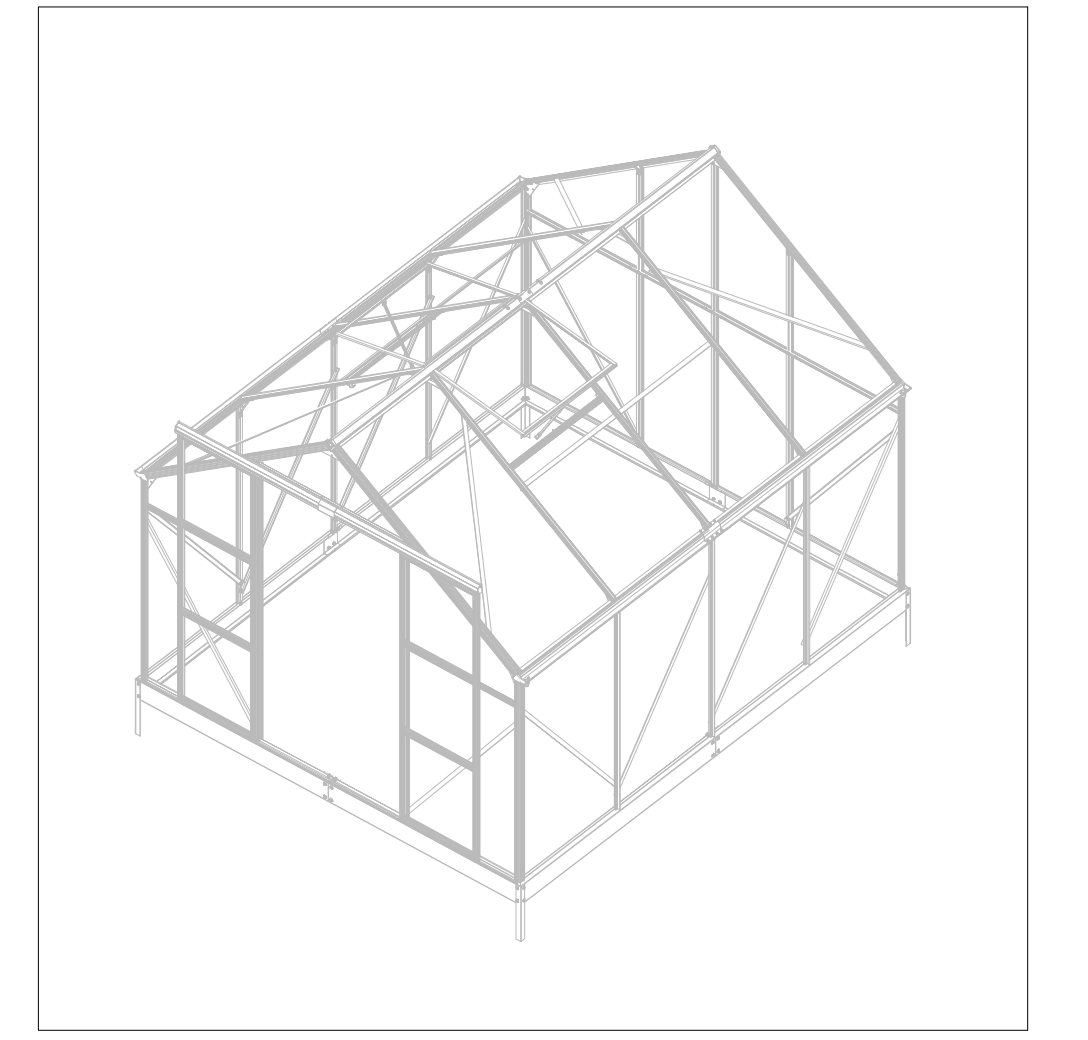
Tear off the film before inserted into the board and the side of white film needs faced out.



# Wall



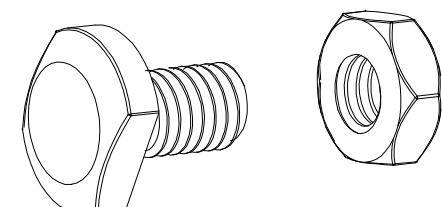
(M6x12)  
F4x5



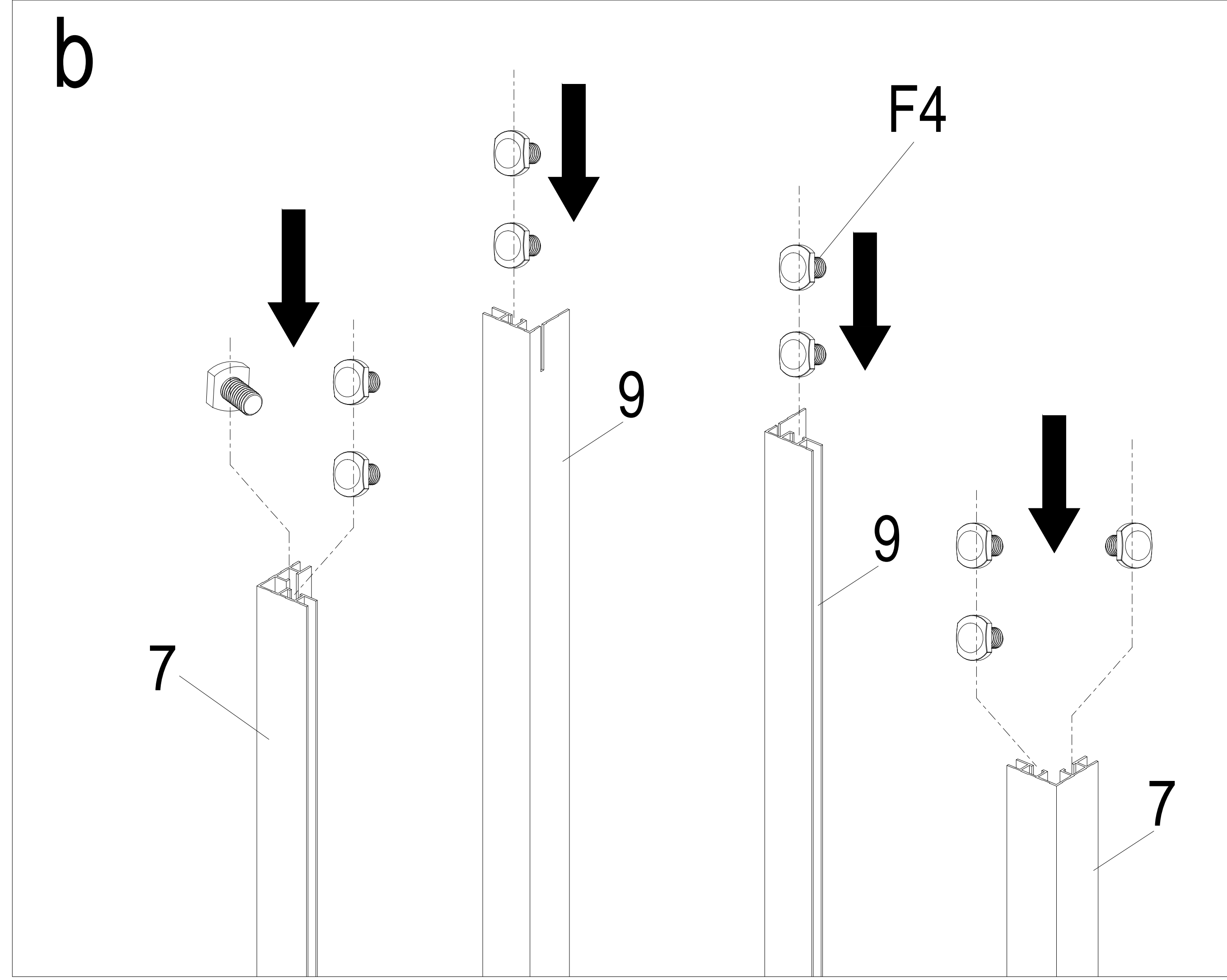
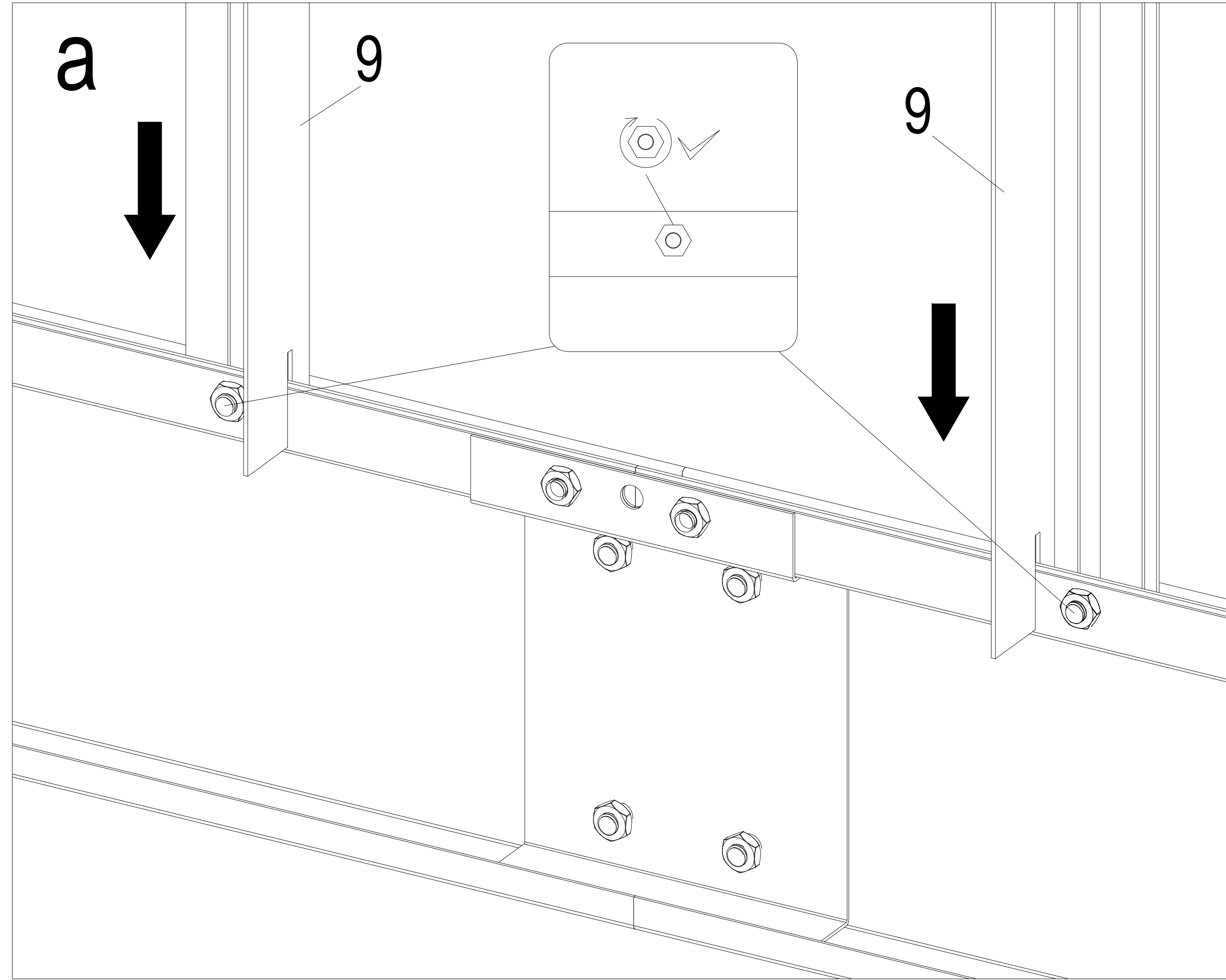
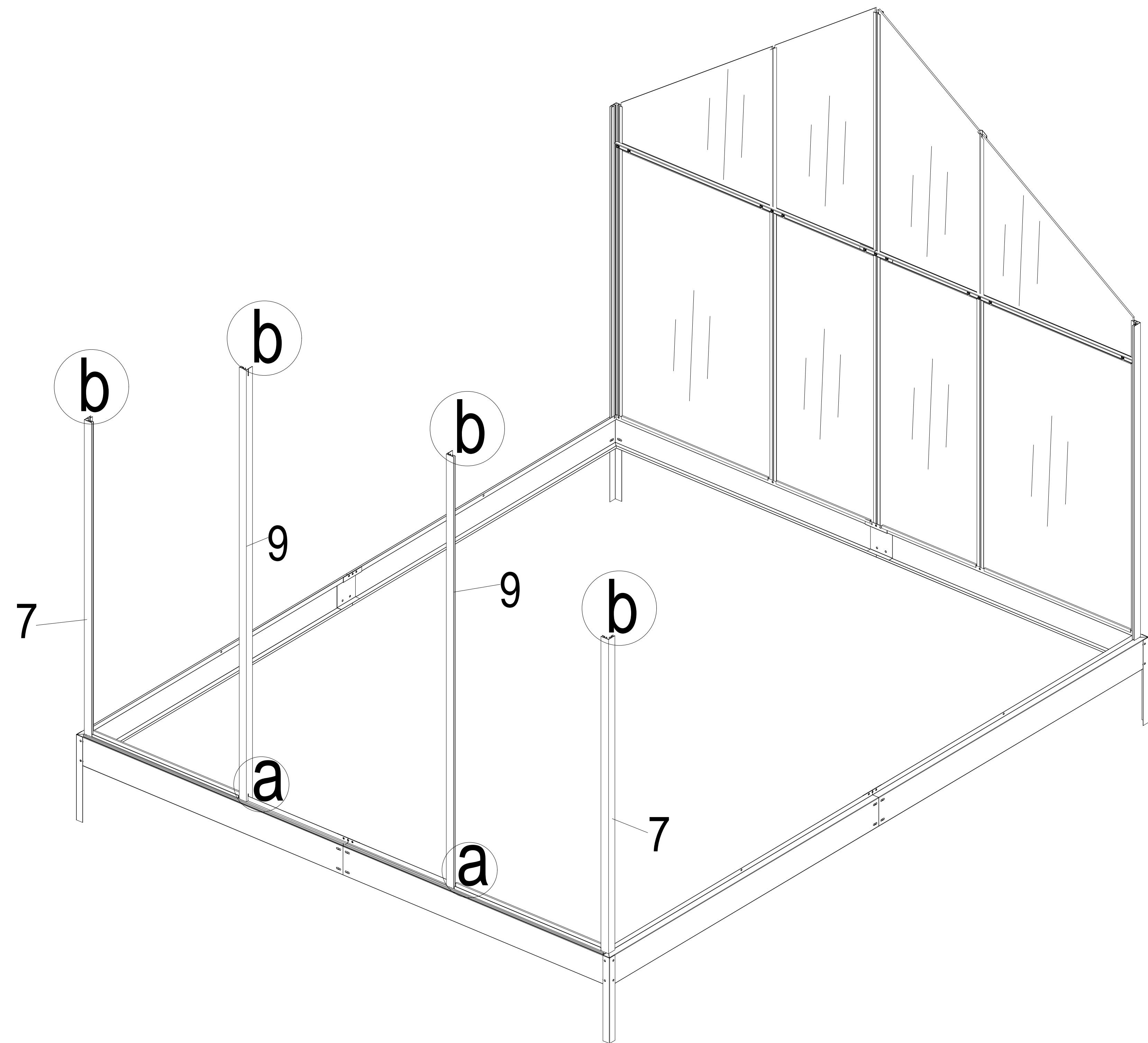
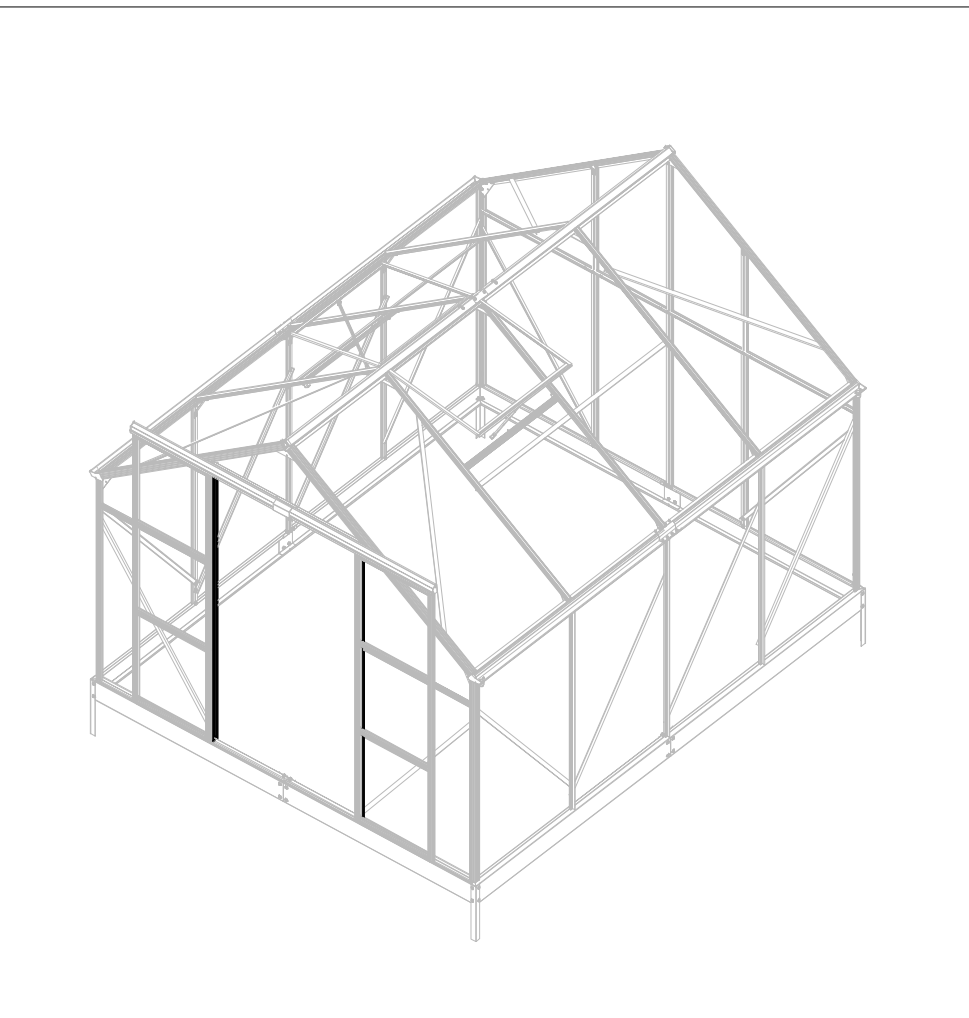


# Wall

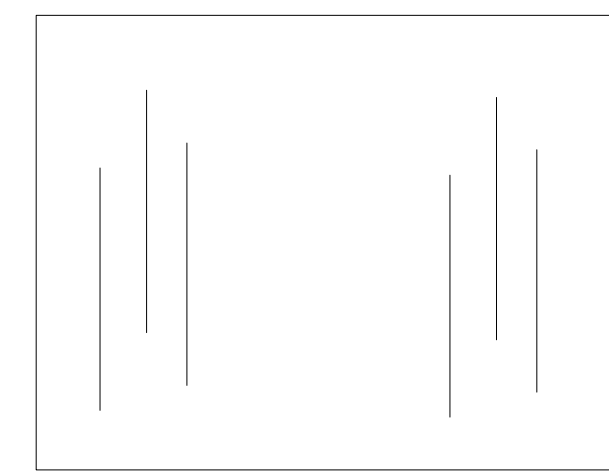
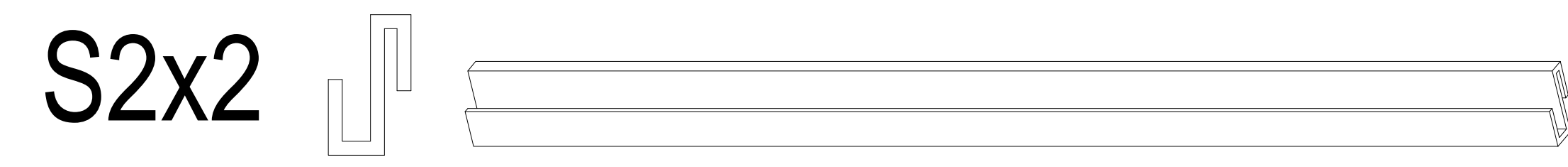
9x2



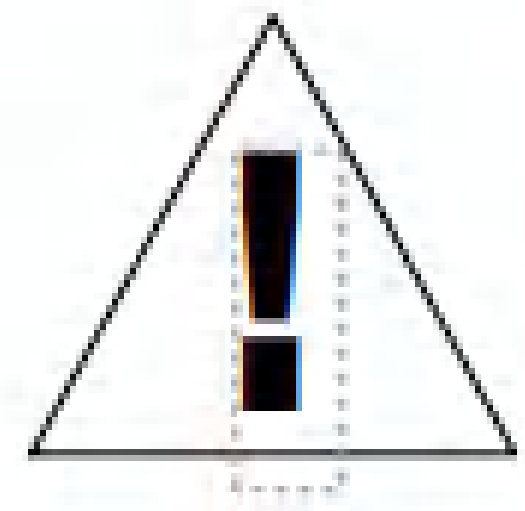
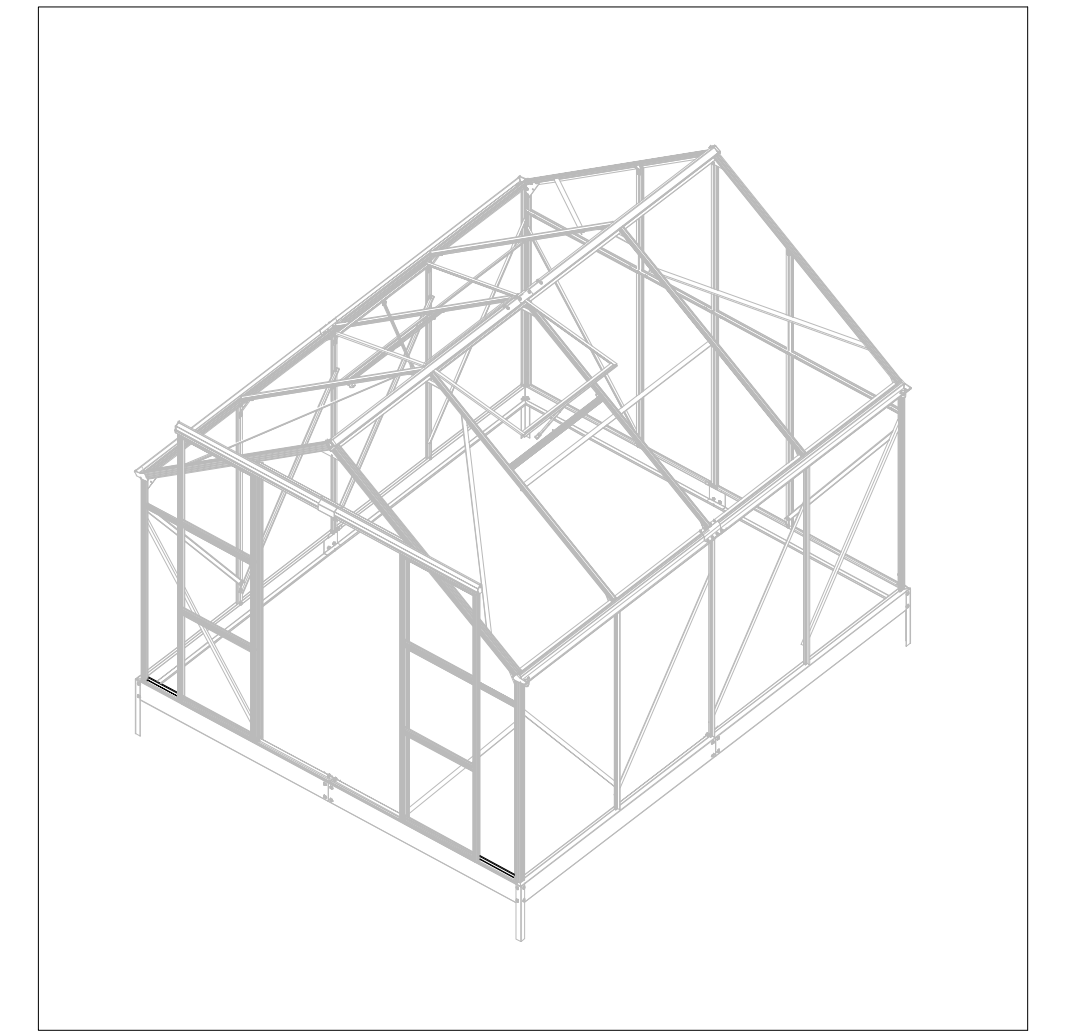
(M6x12)  
F4x10



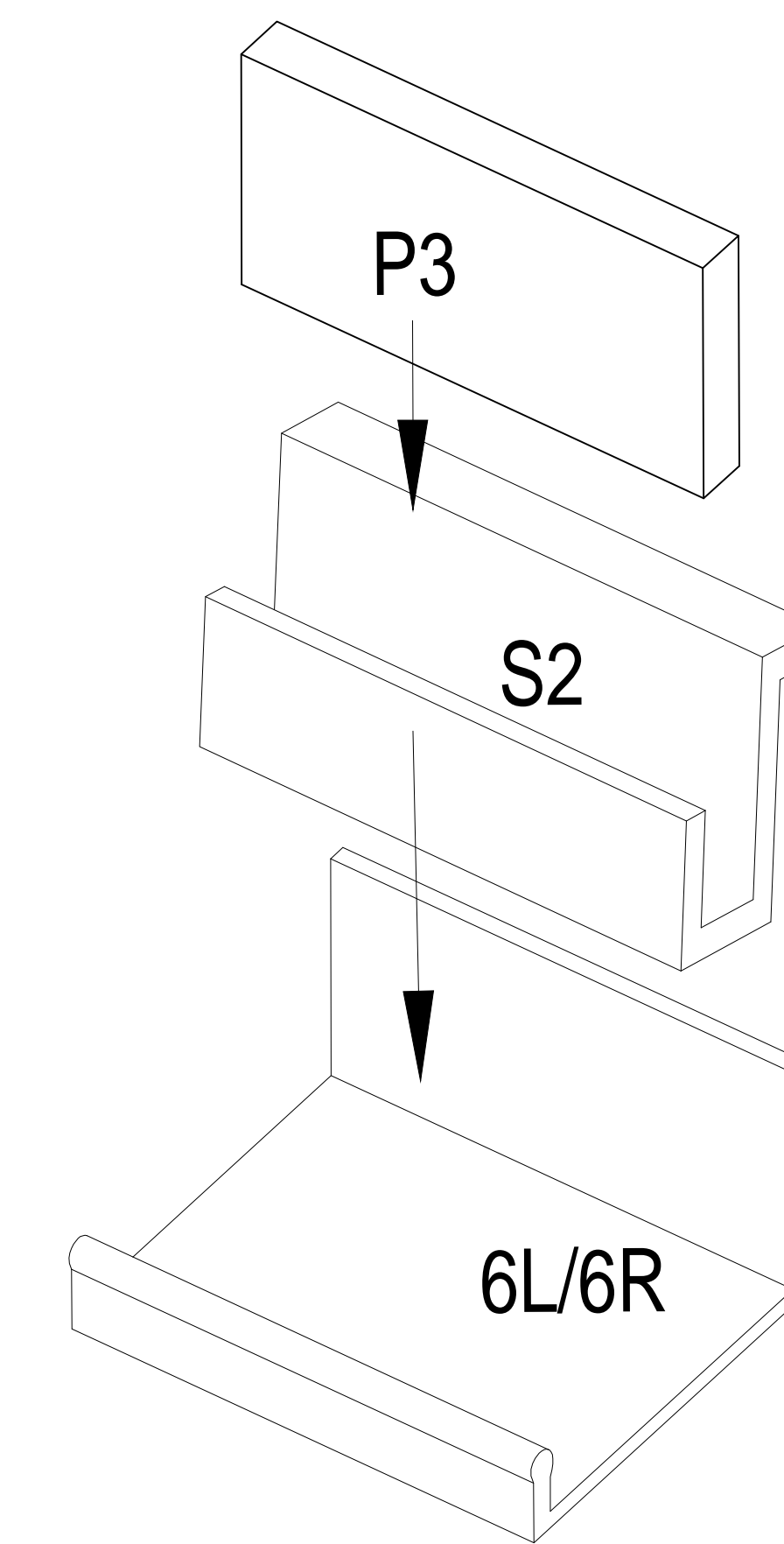
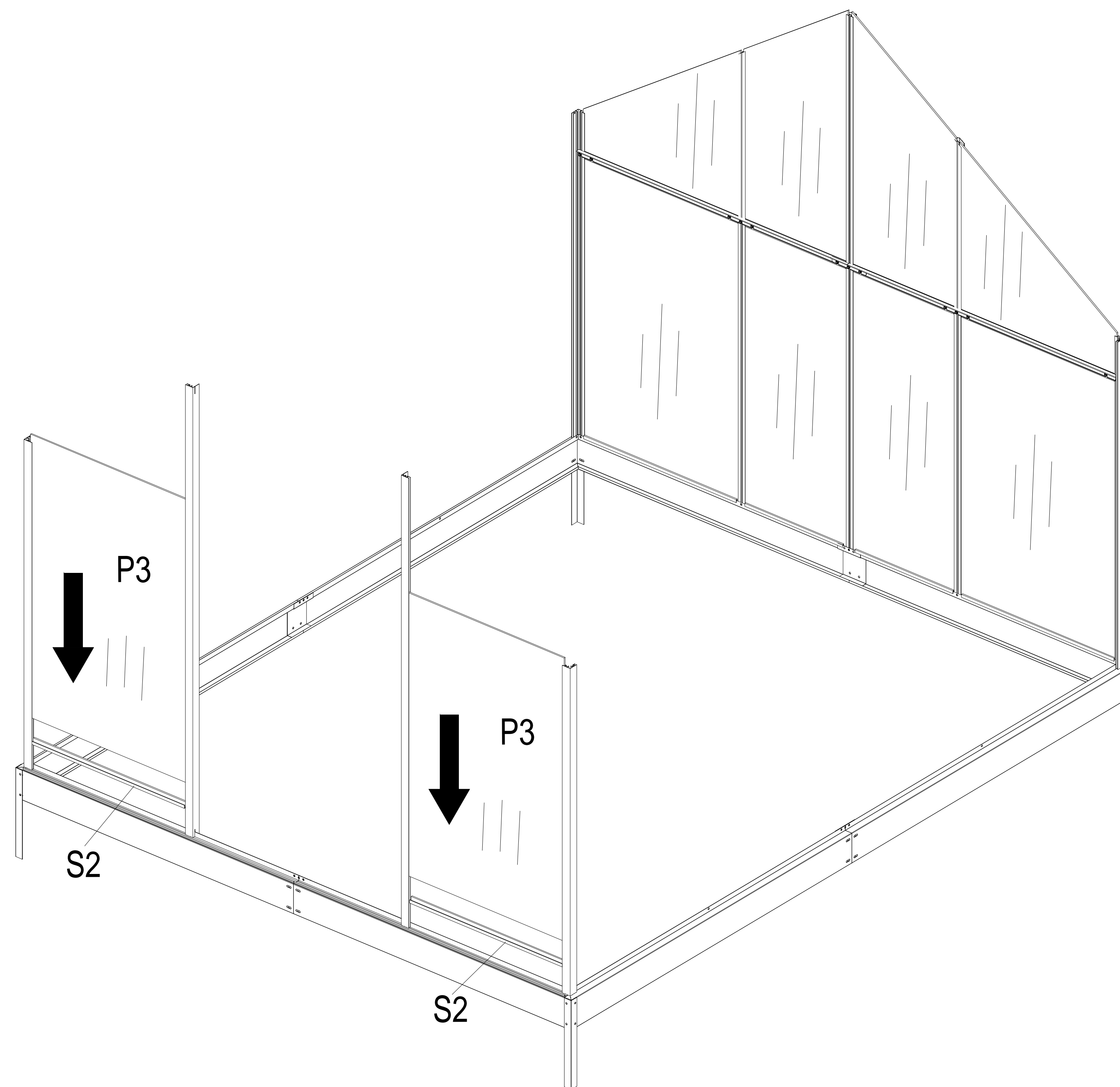
# Wall



P3 x2

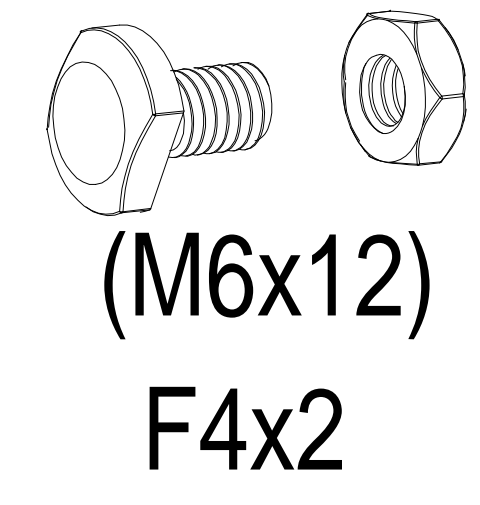
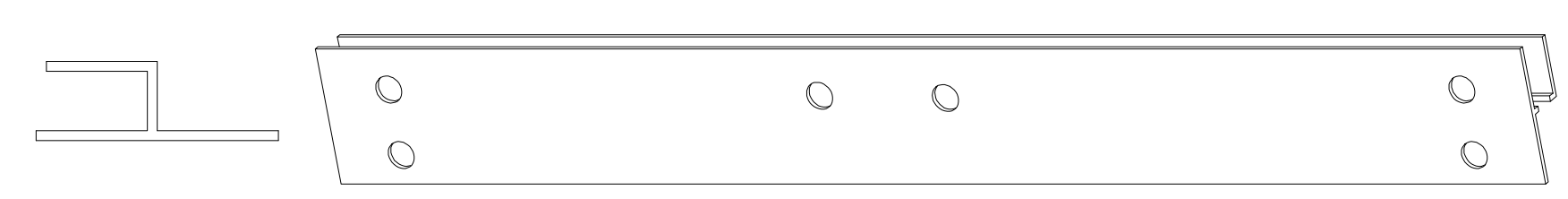


Tear off the film before inserted into the board, the side of white film need faced out.

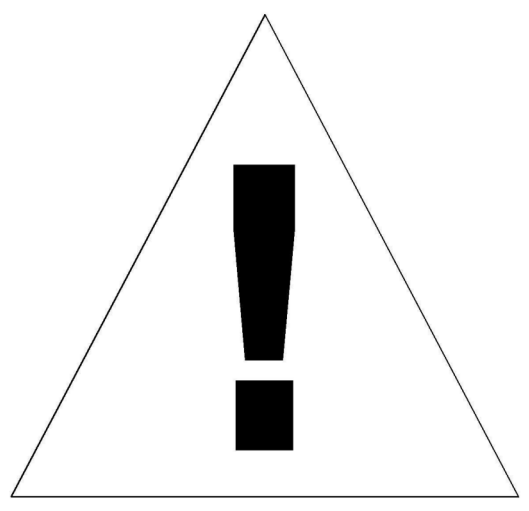
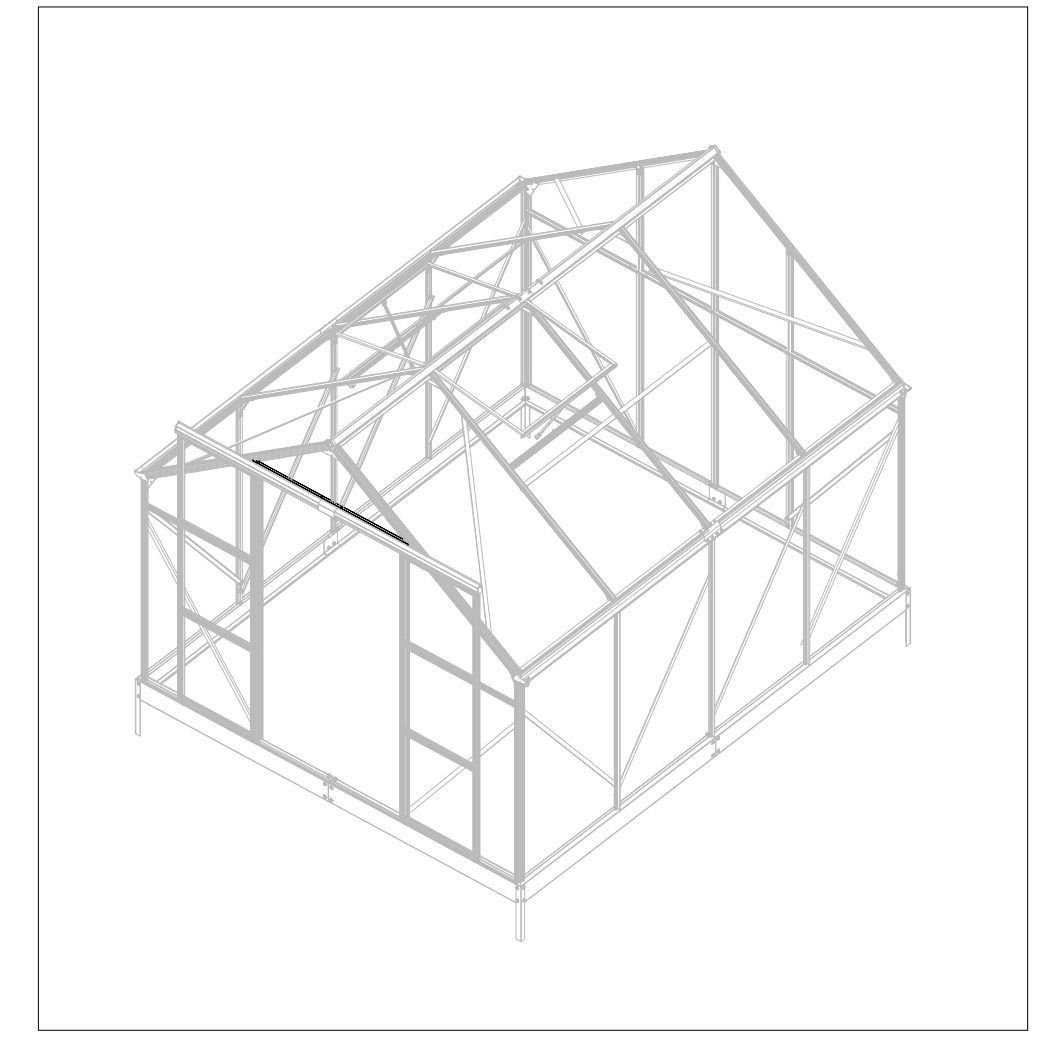
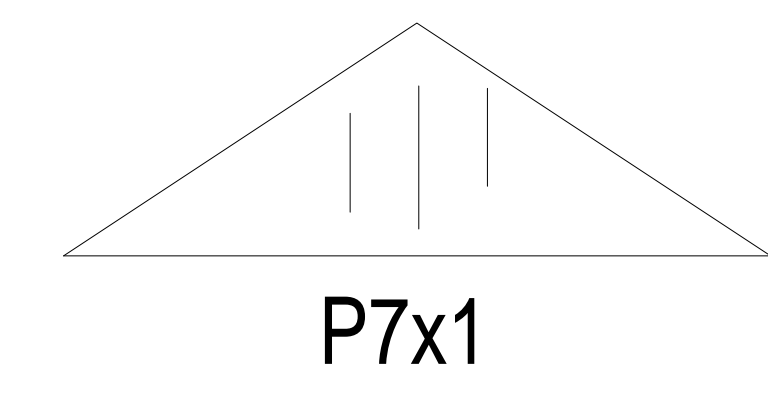


# Wall

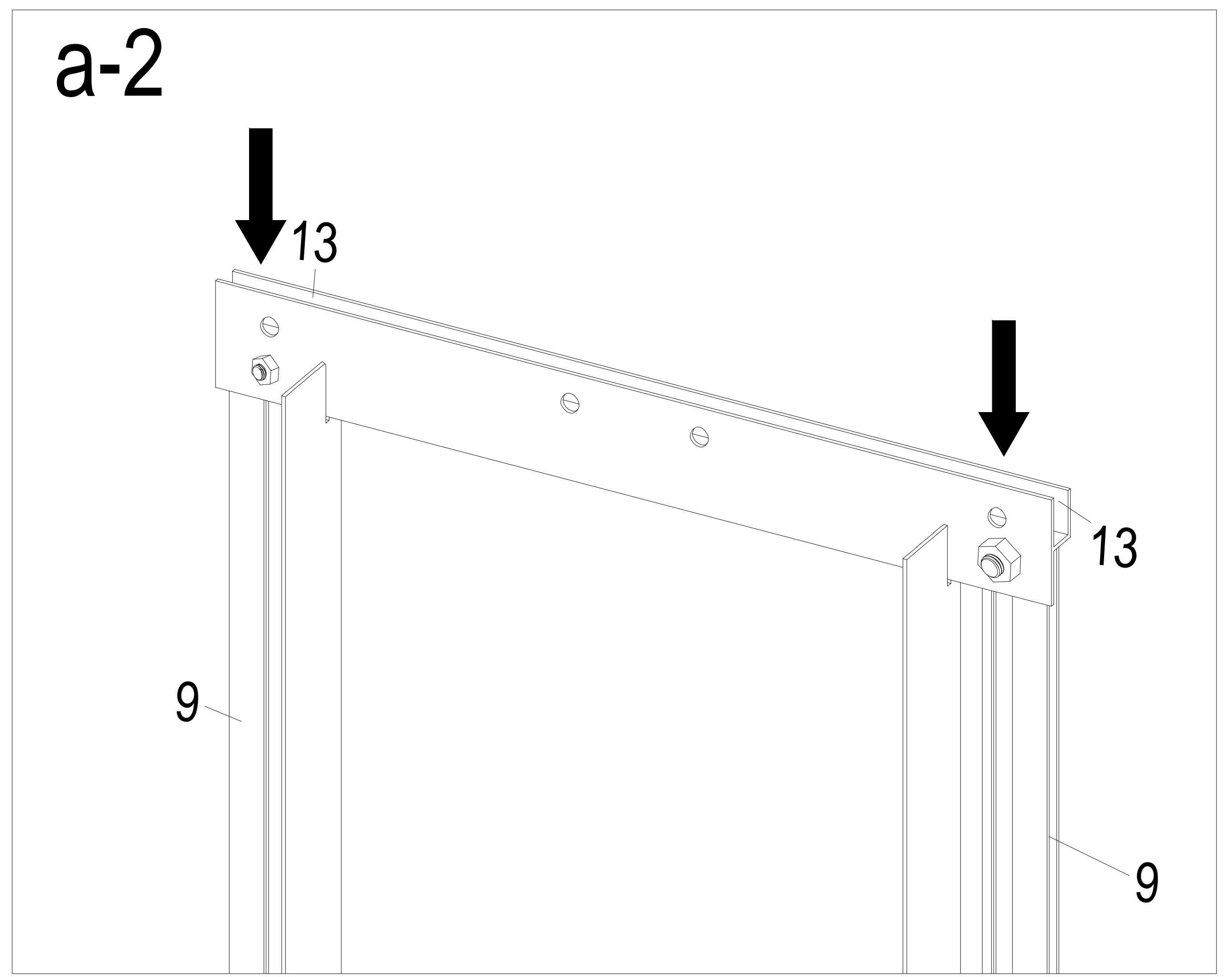
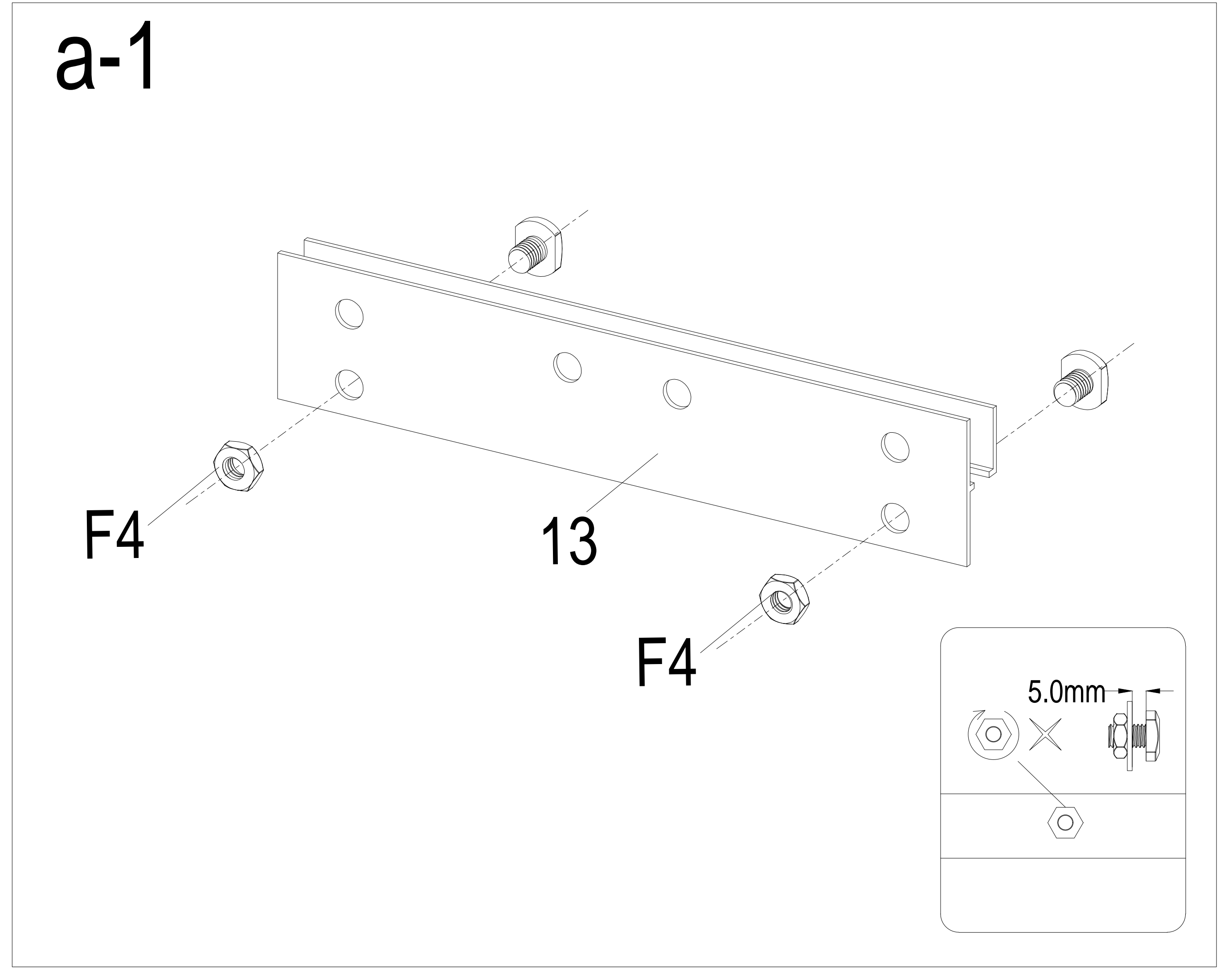
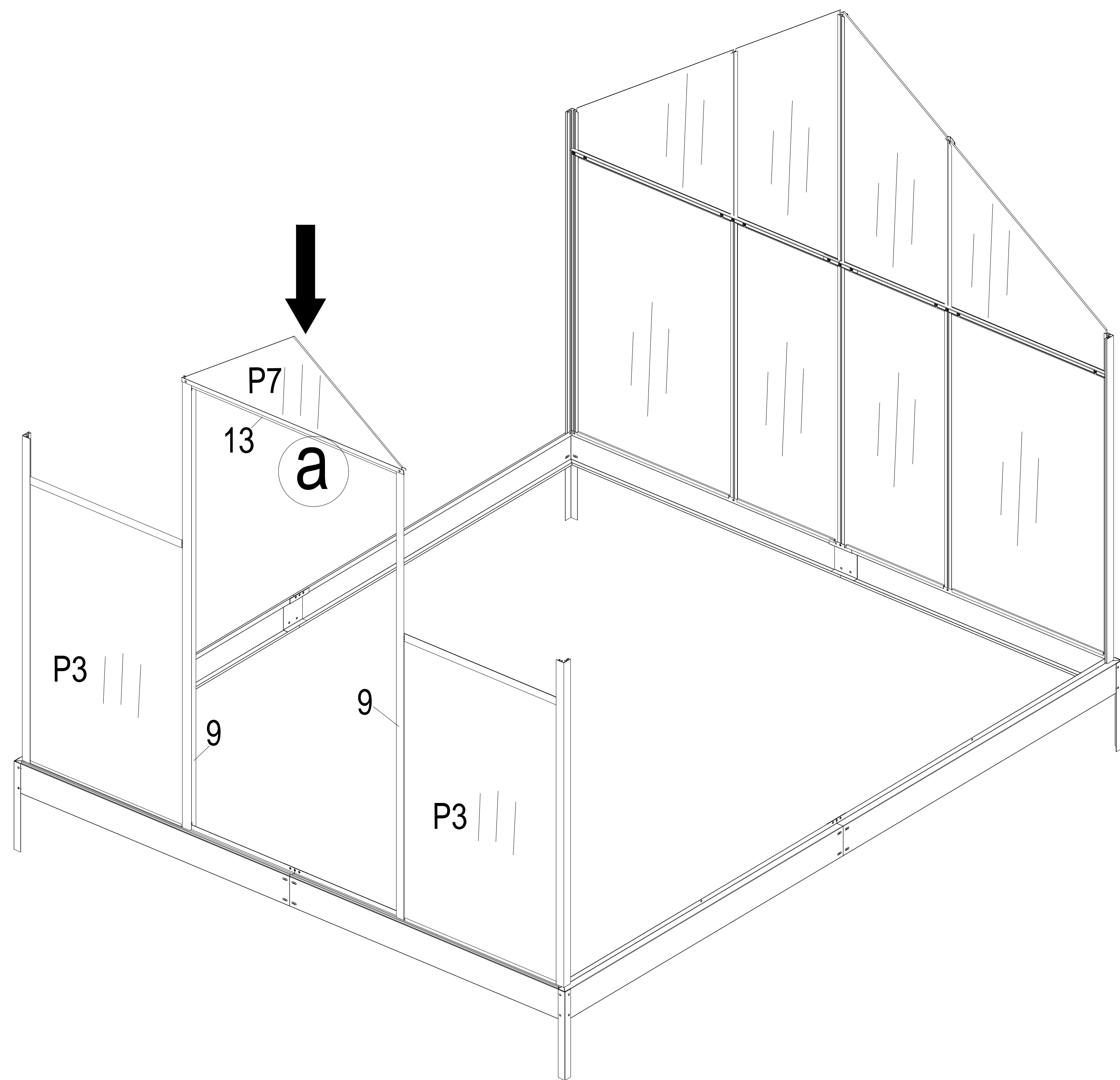
13x1



(M6x12)  
F4x2

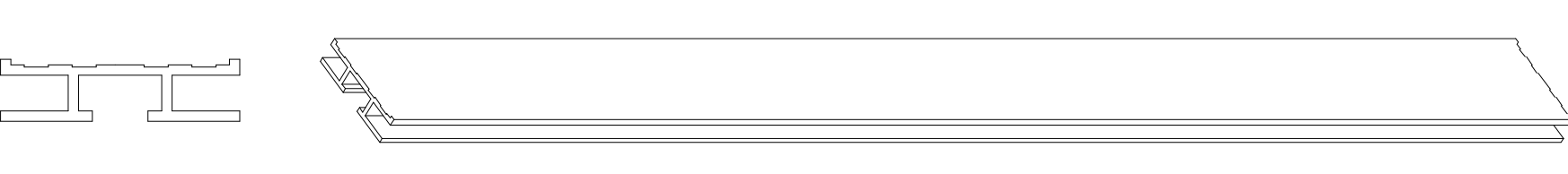


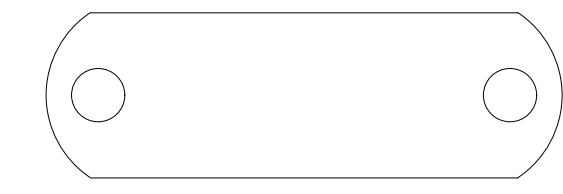
a-1 and a-2 views are internal views of products



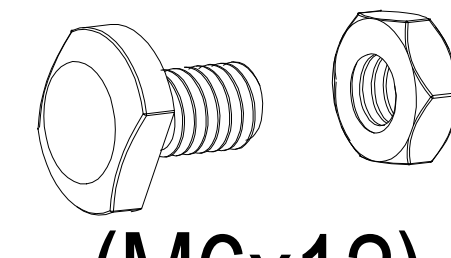


# Wall

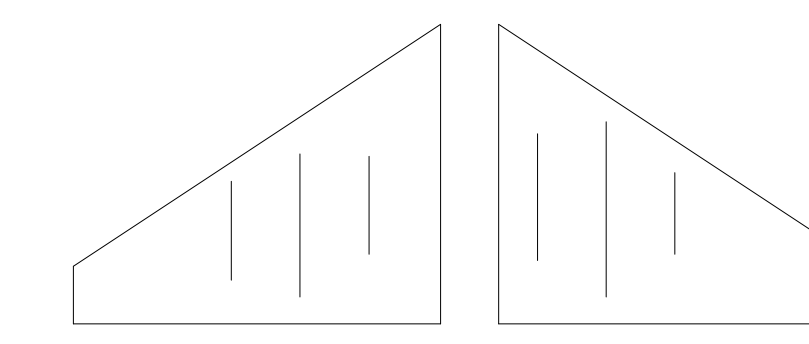
12x2 



B3x4

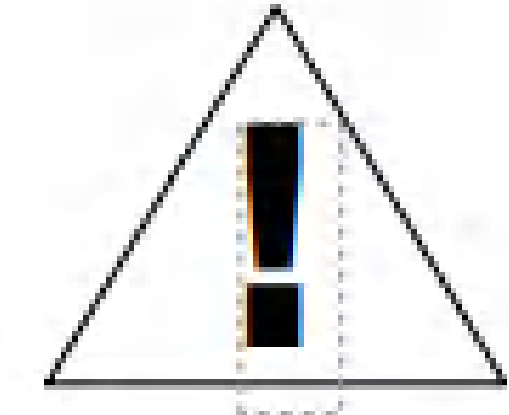
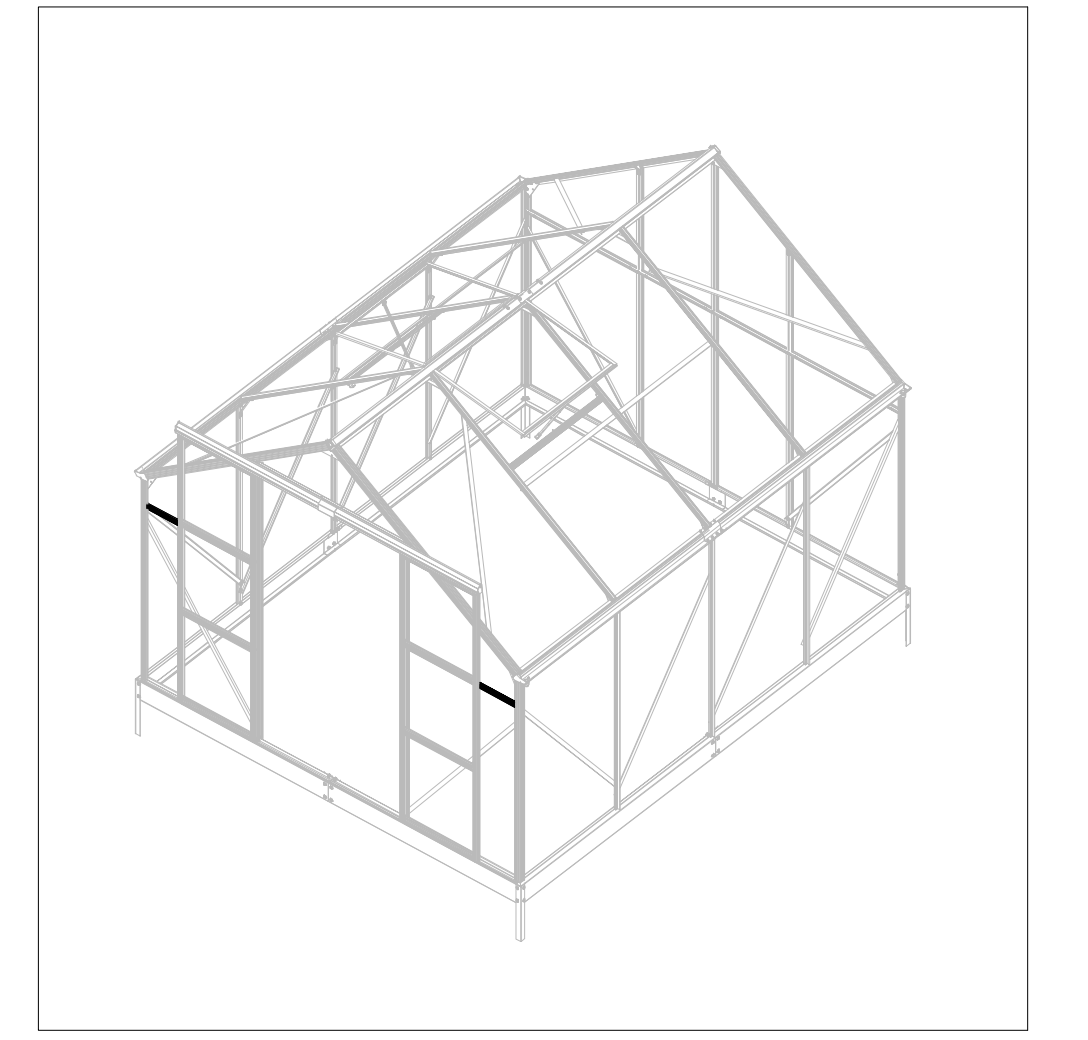


(M6x12)  
F4x4

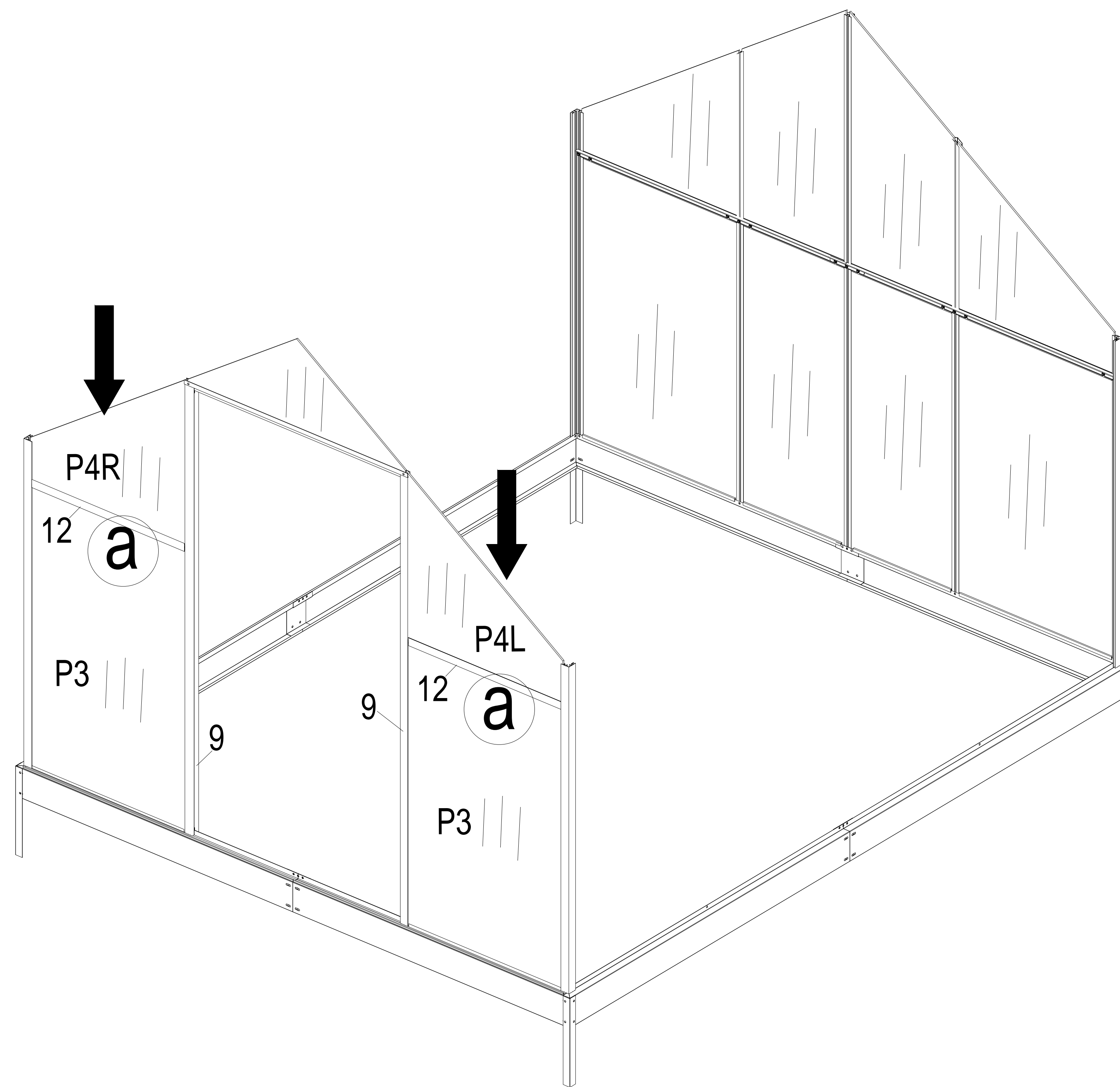
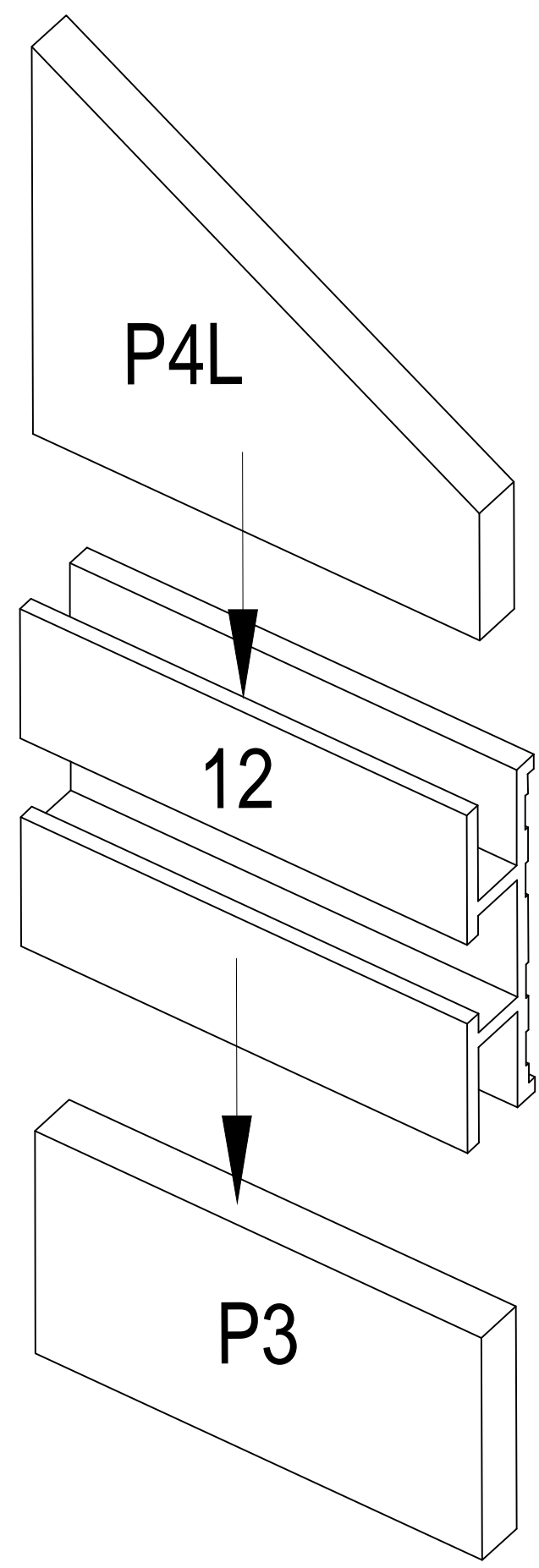


P4Lx1

P4Rx1

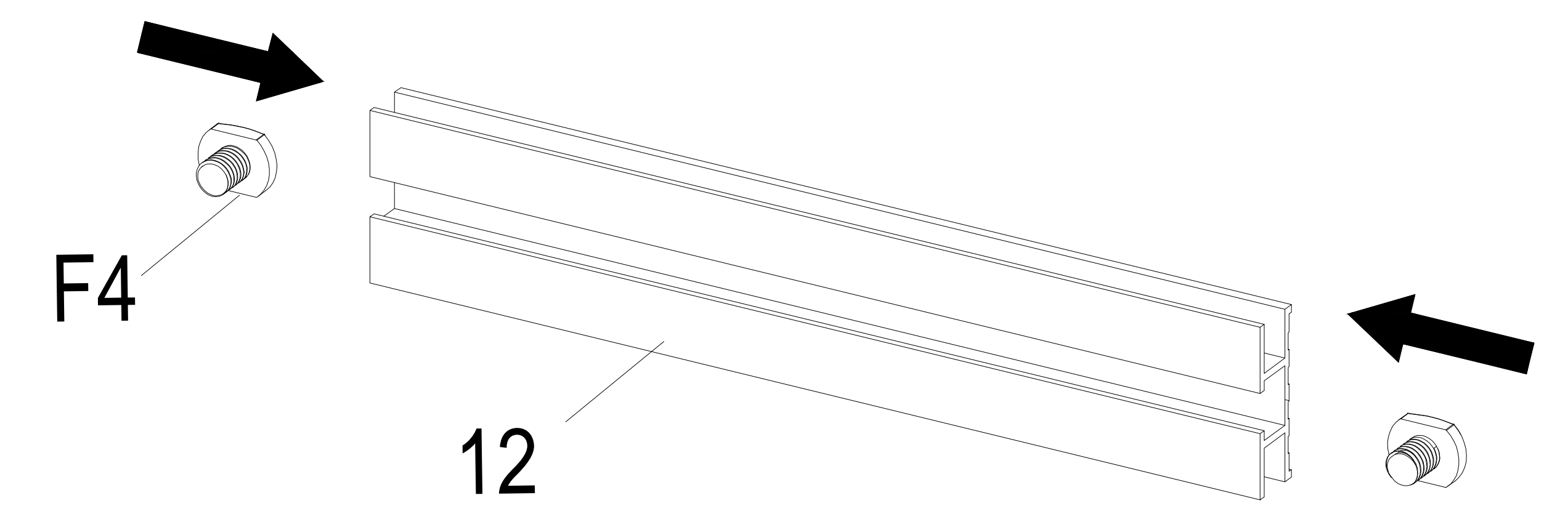


a-1 and a-2 views are internal views of products

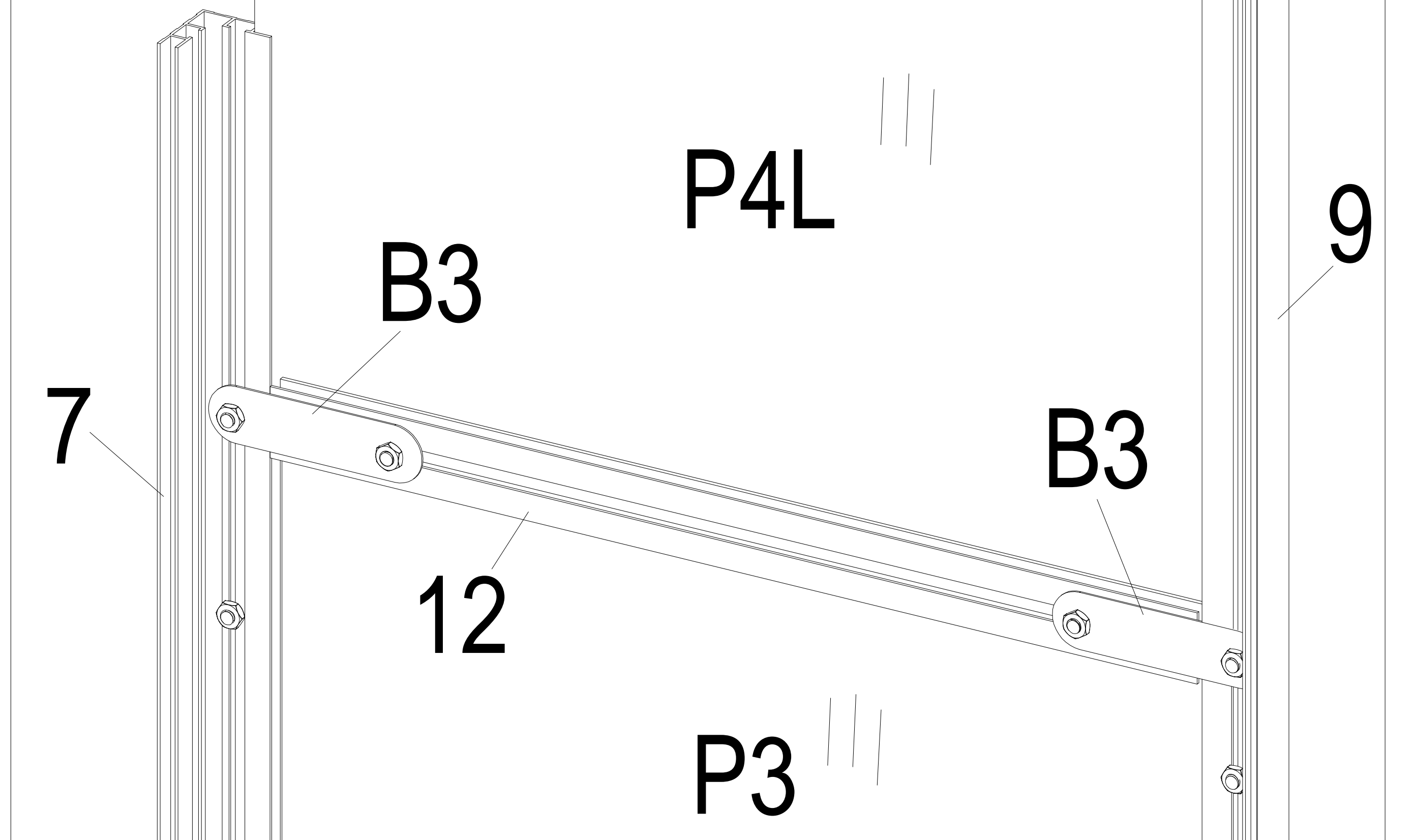


a-1

x2

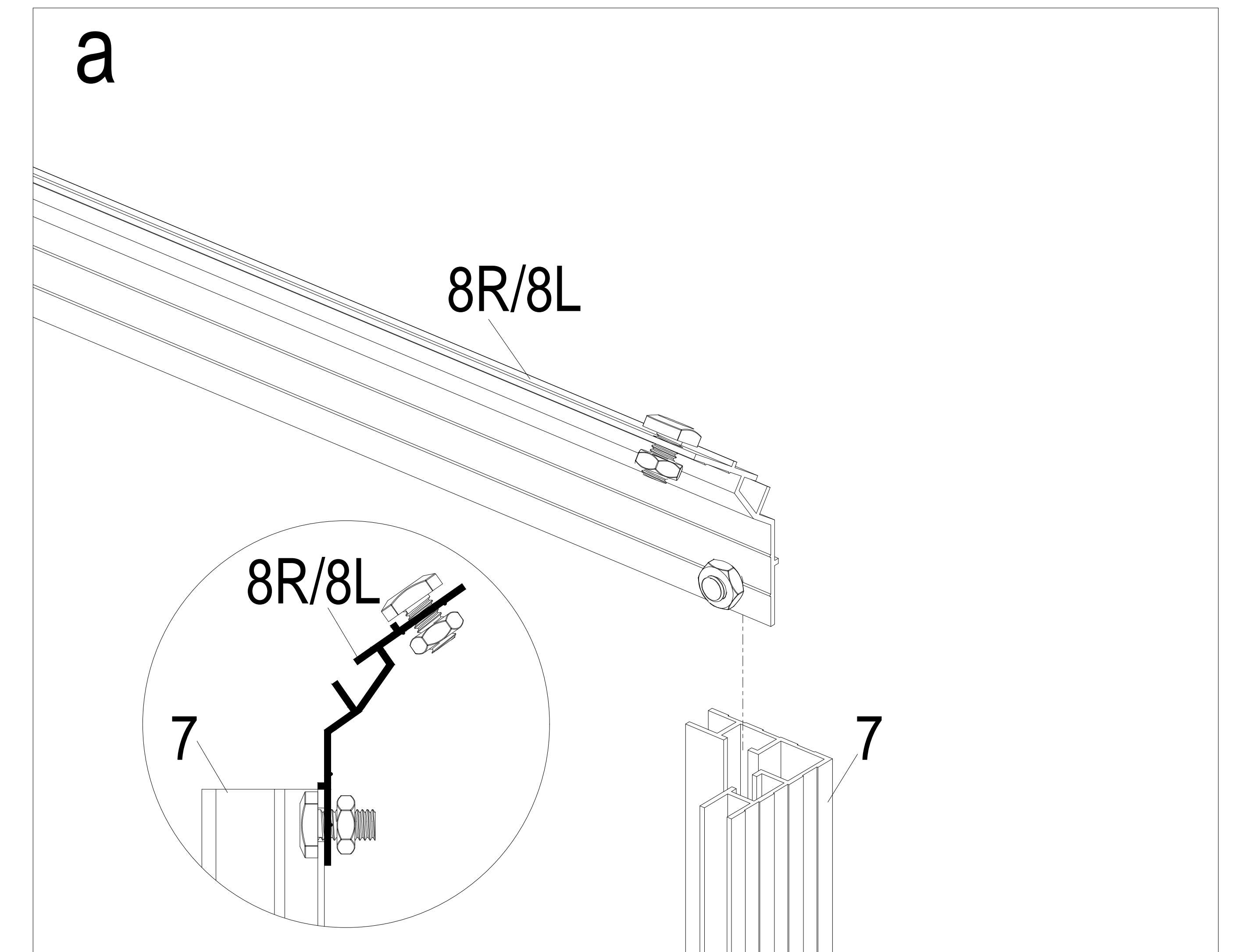
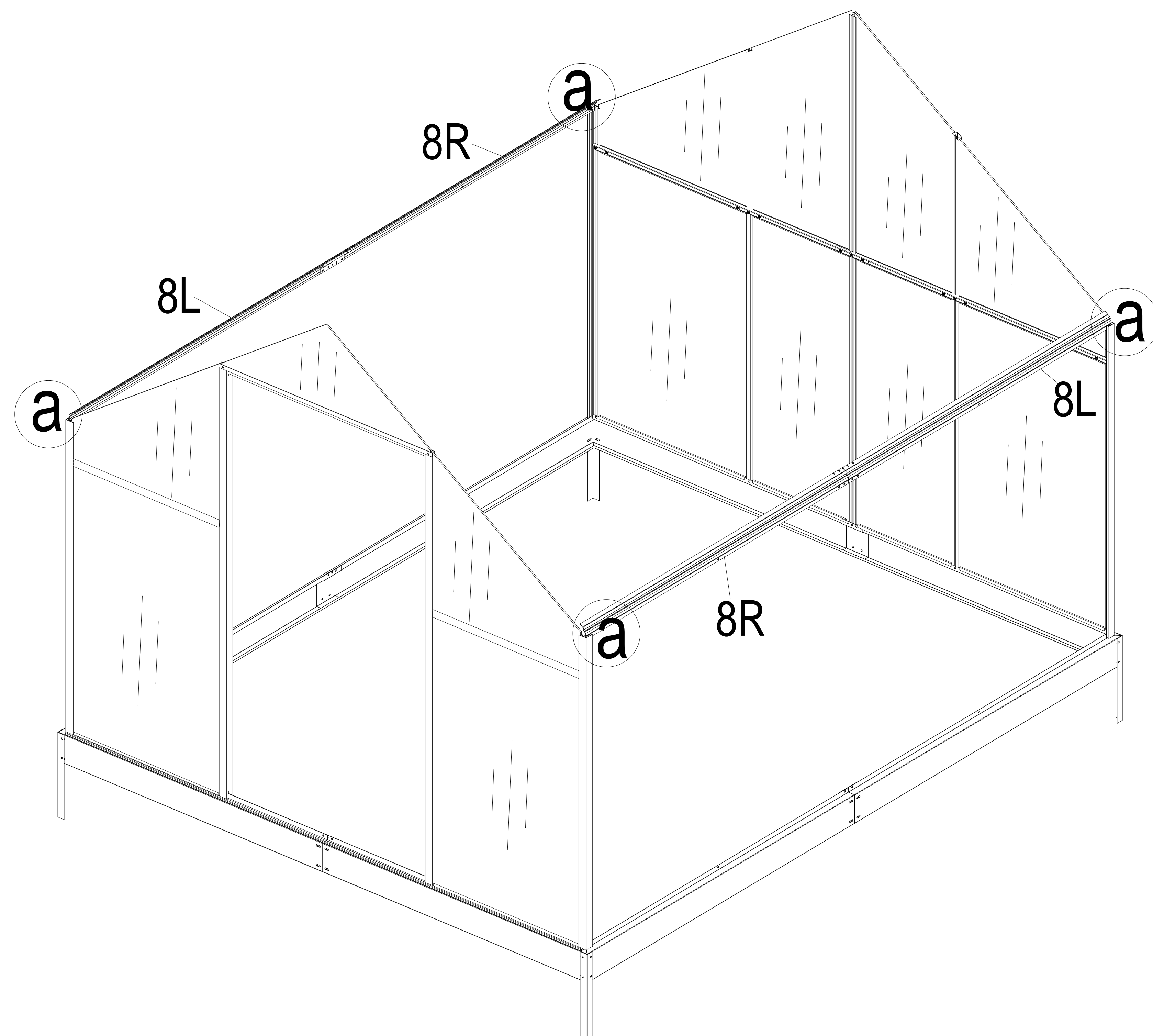
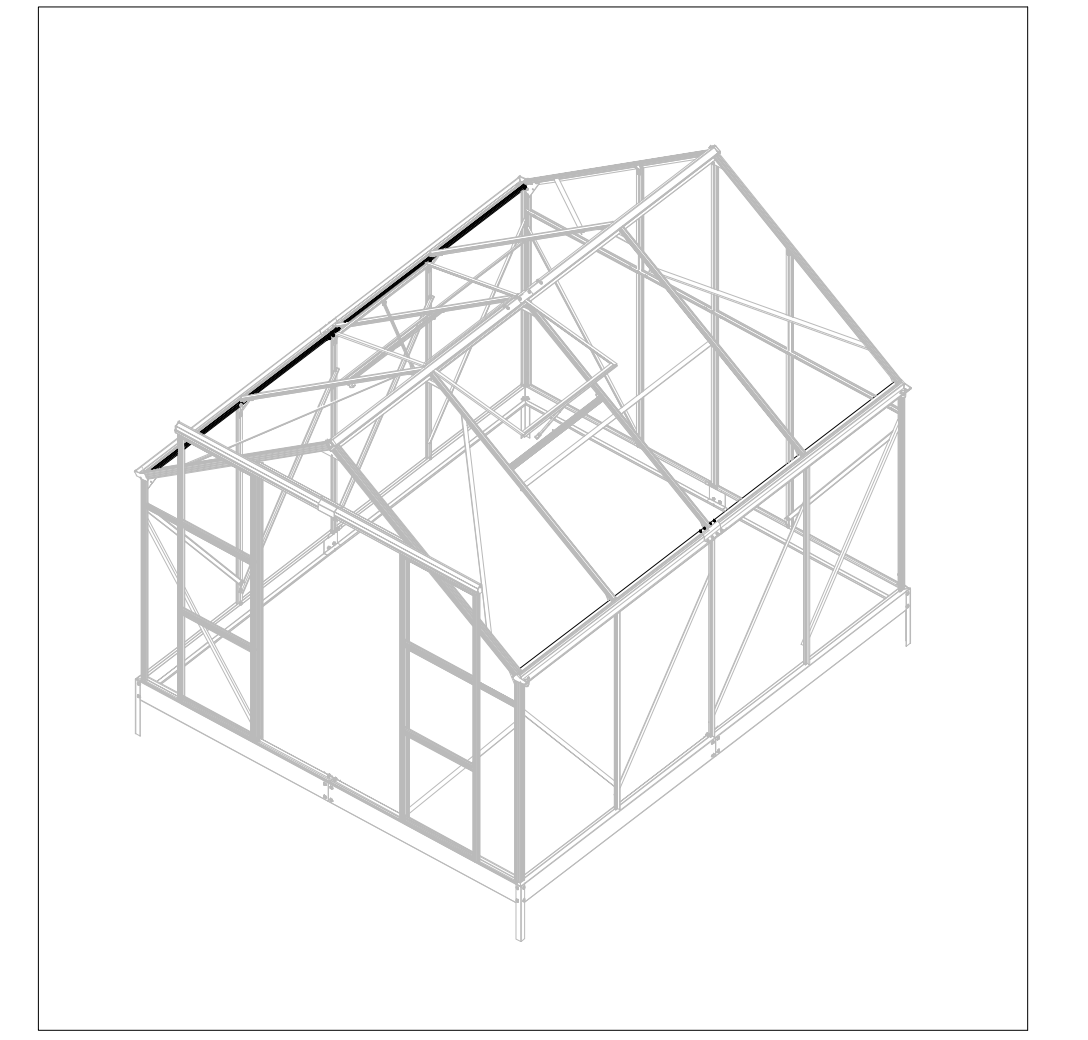


a-2



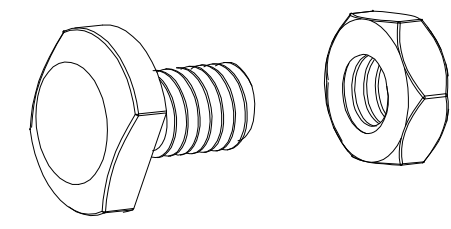
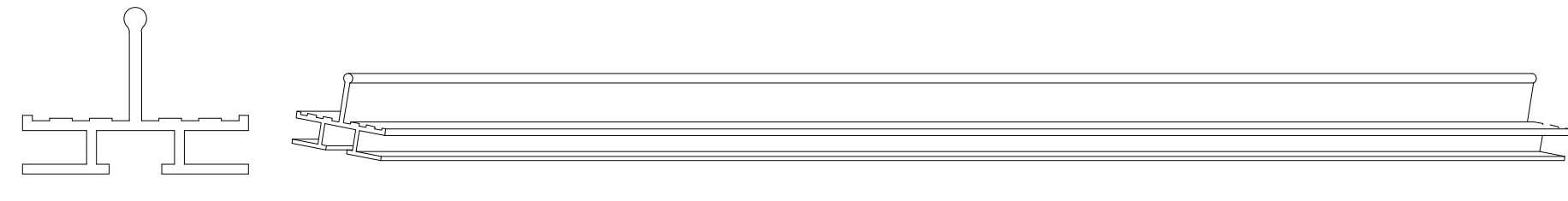


# Wall

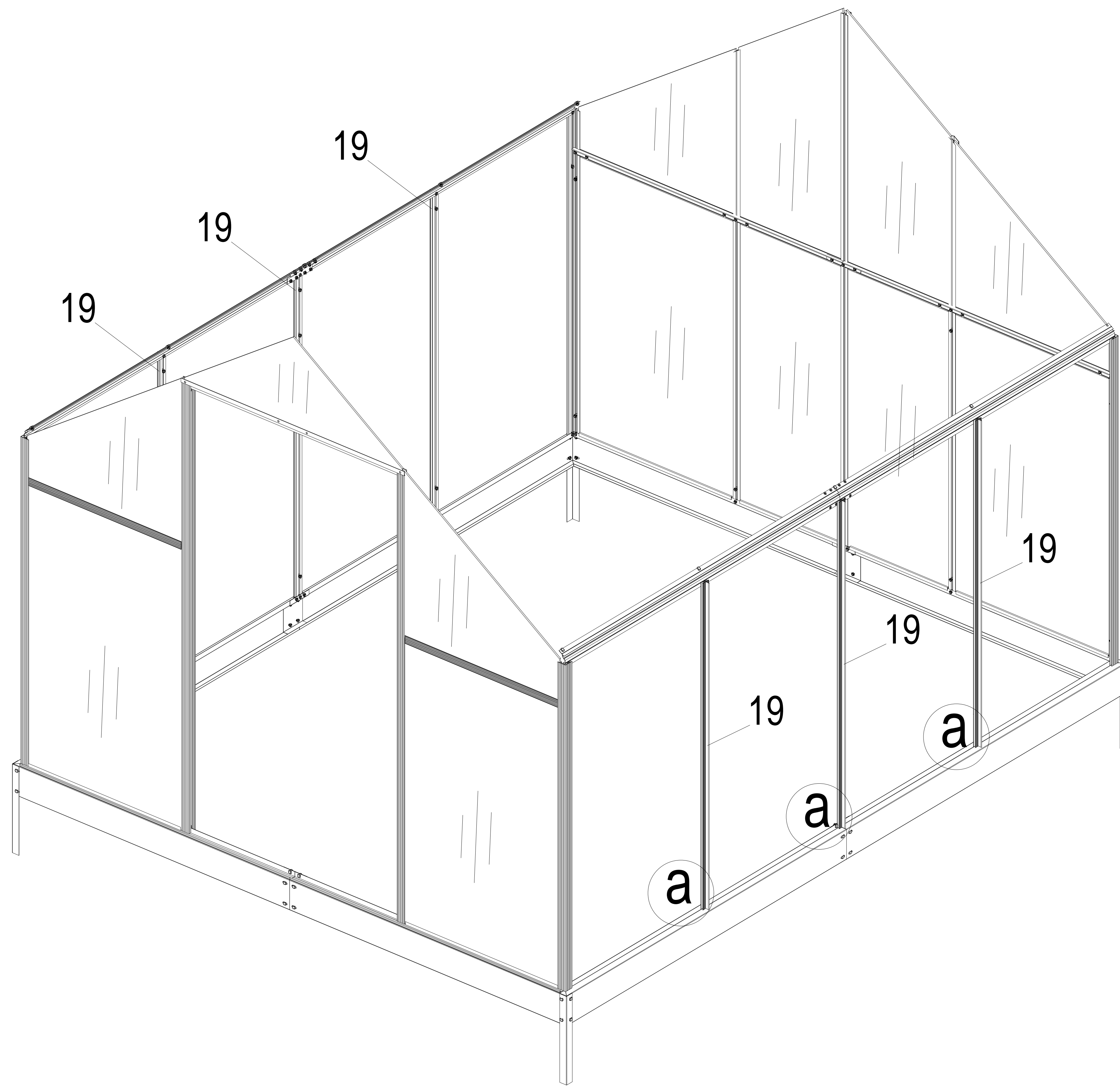
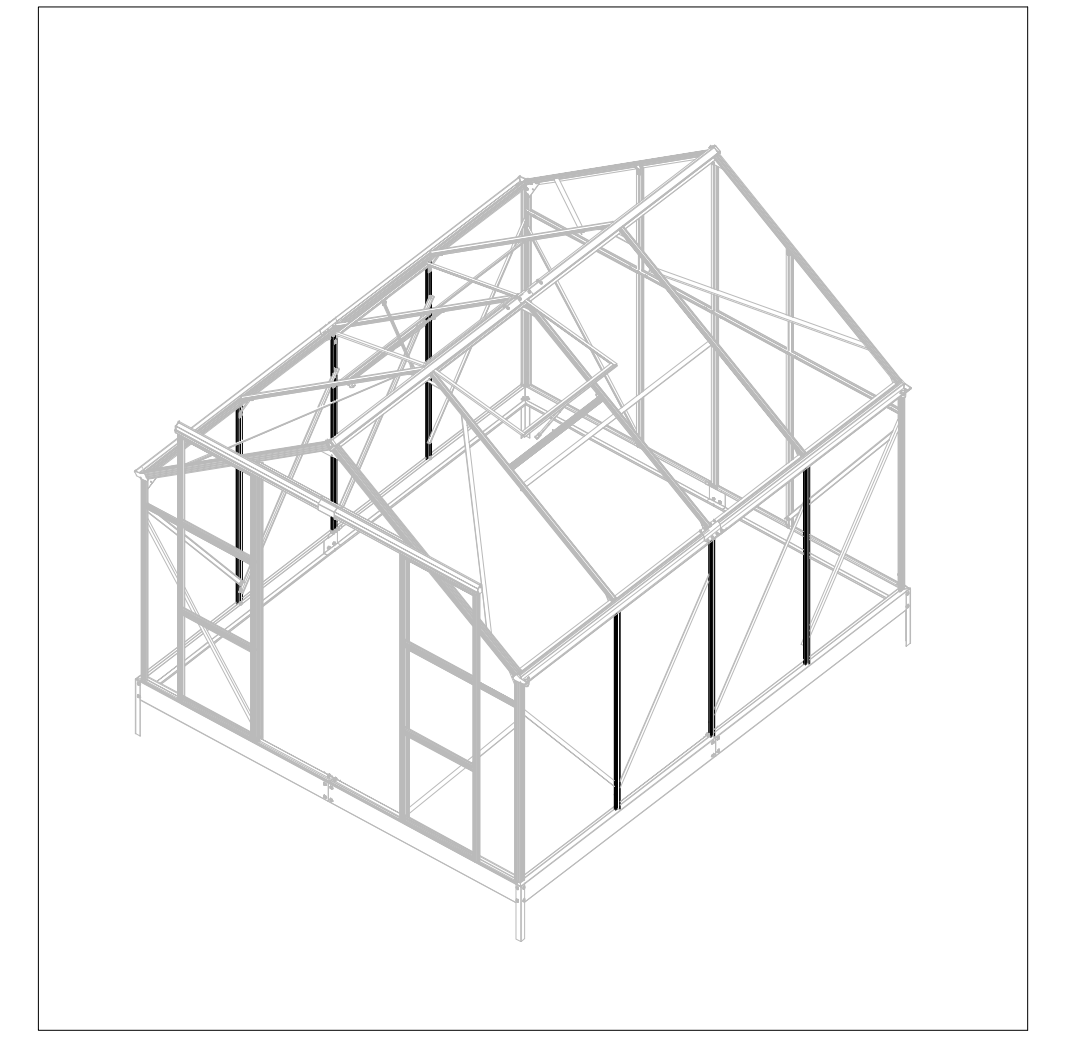


# Wall

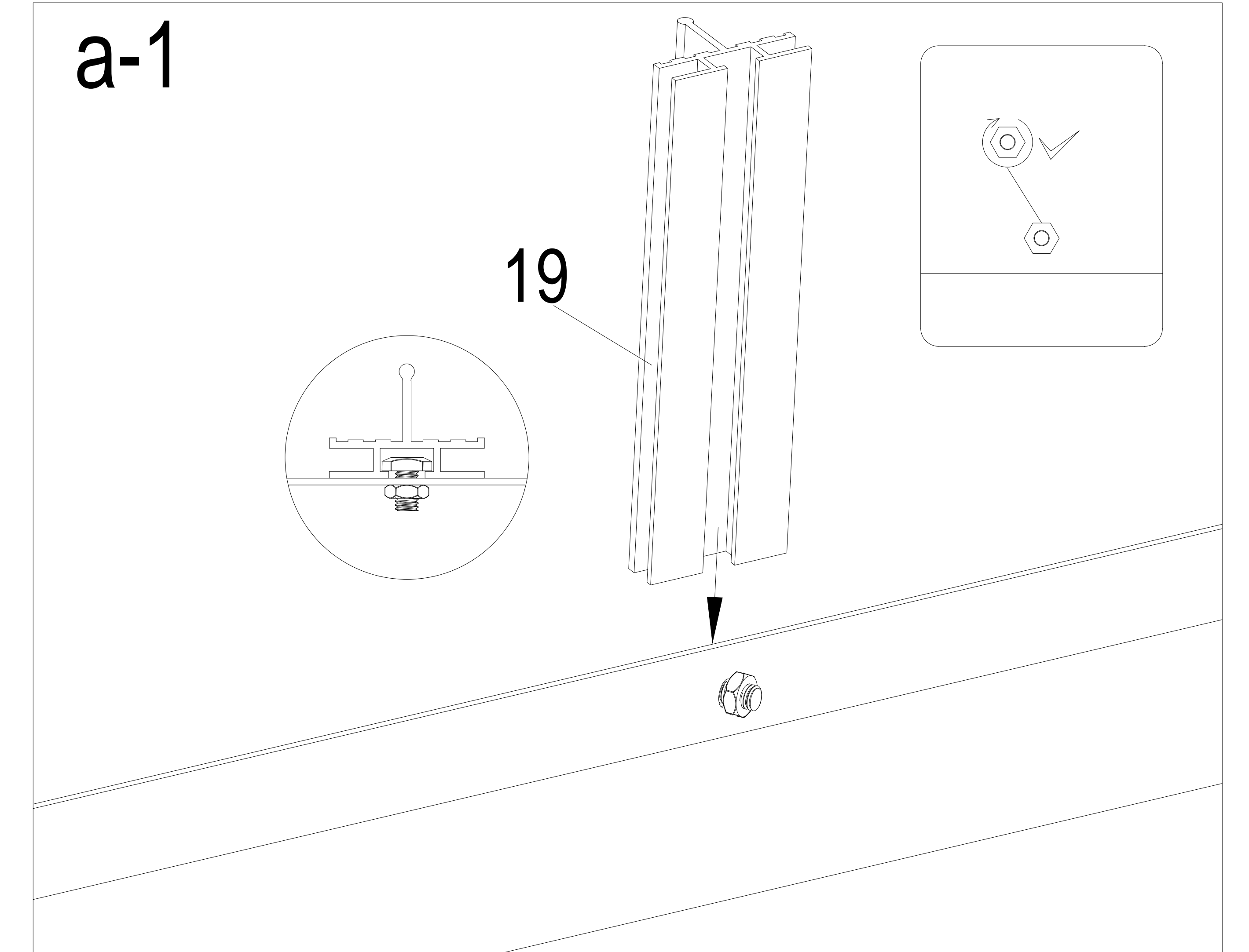
19x6



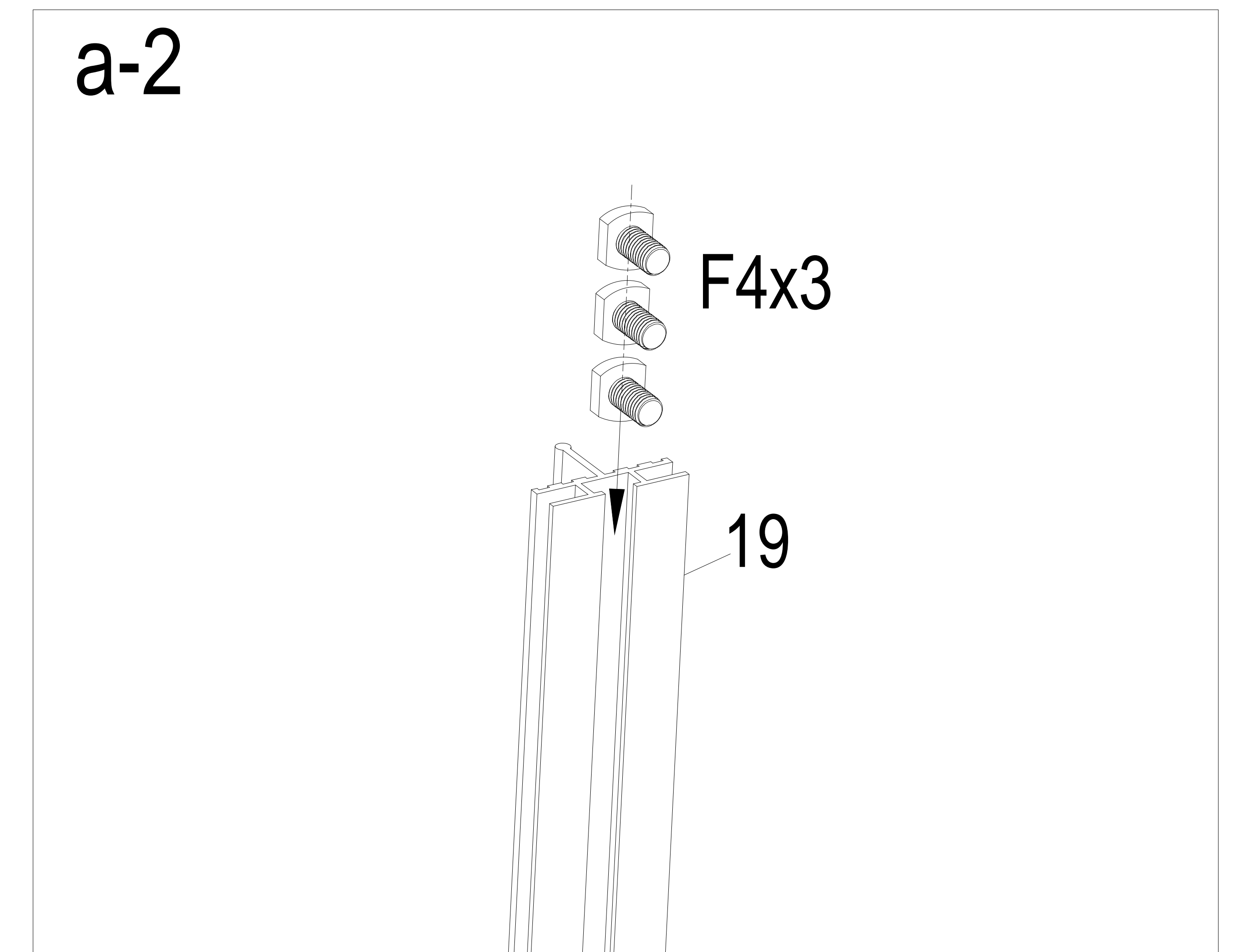
(M6x12)  
F4x18



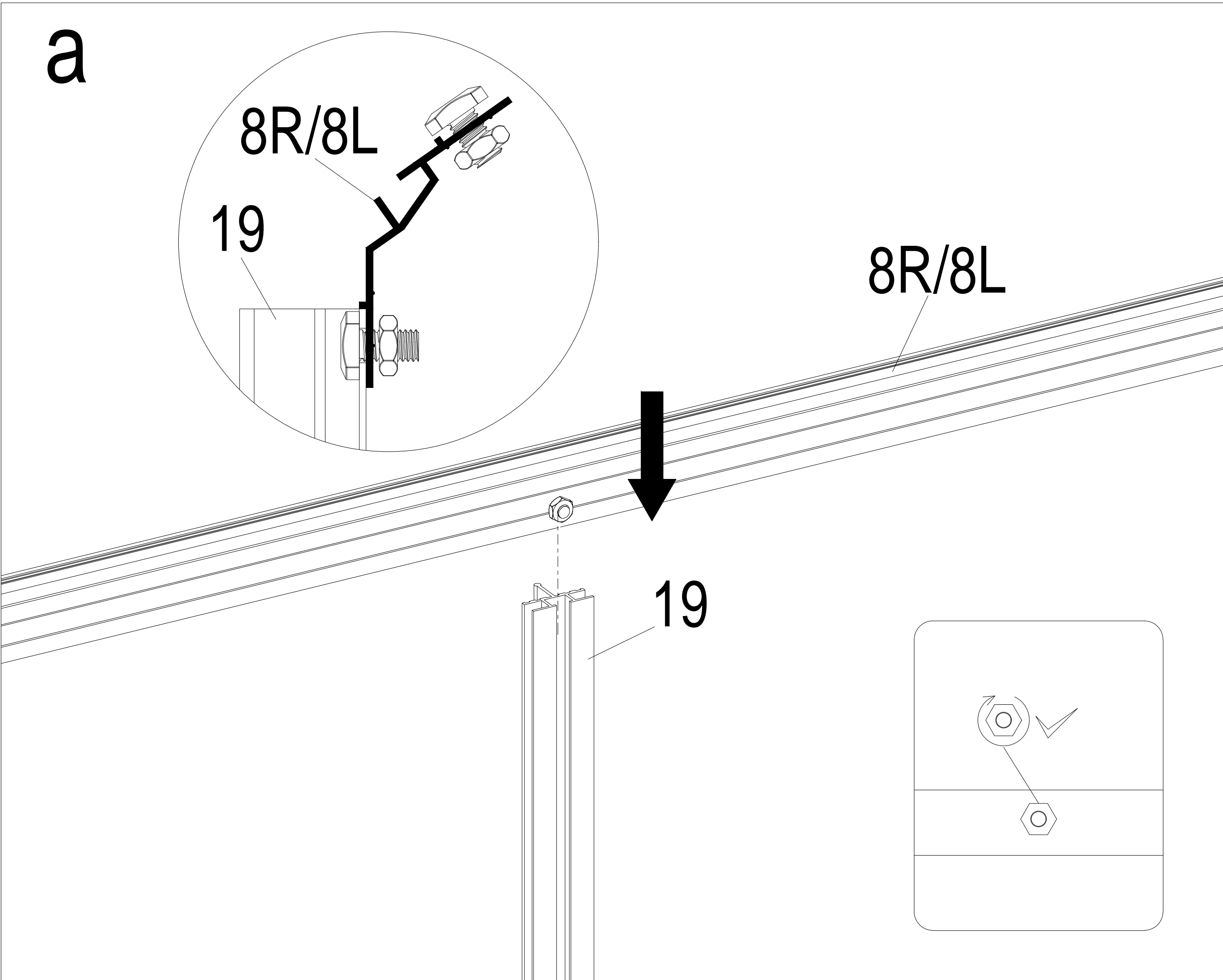
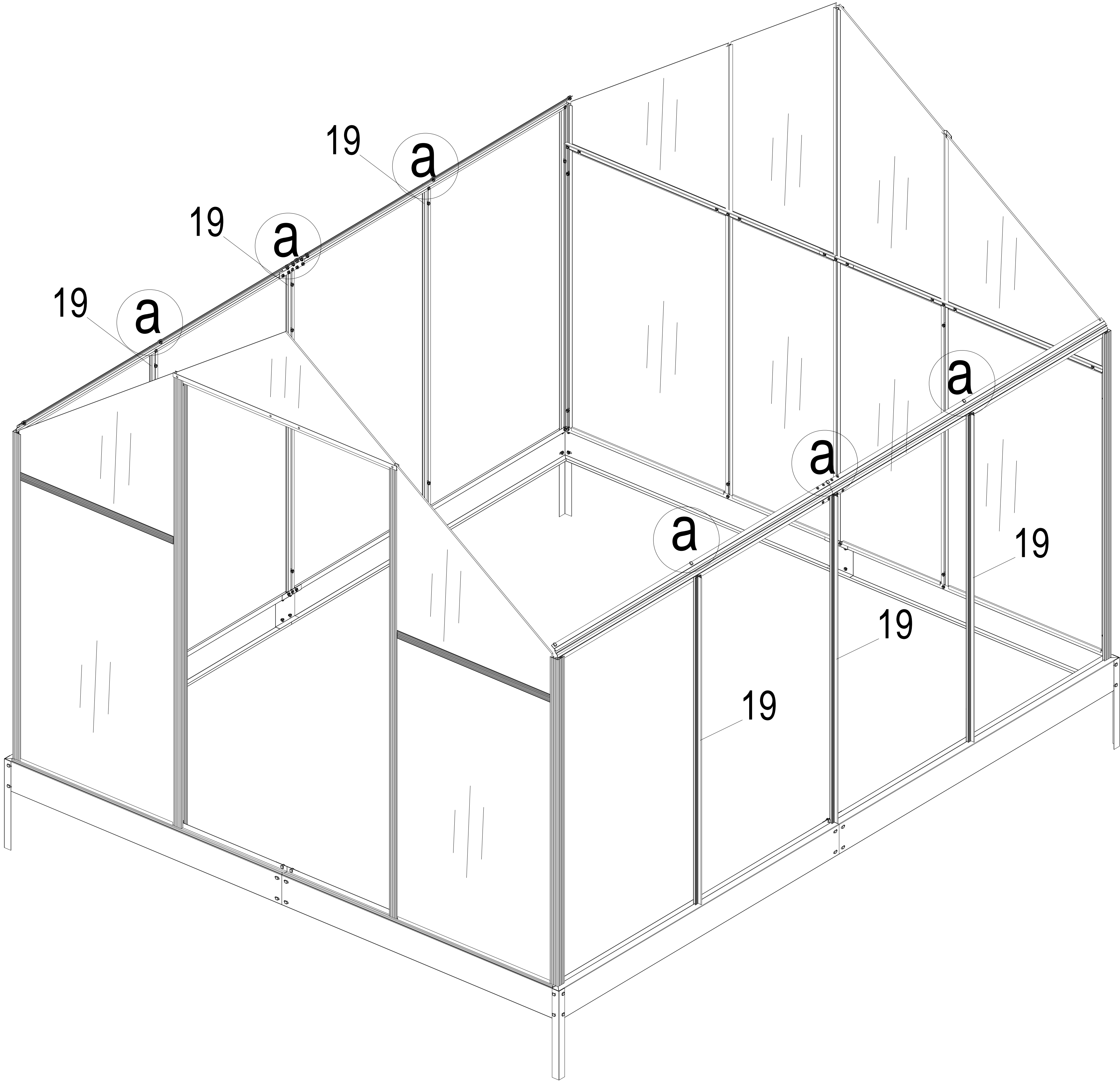
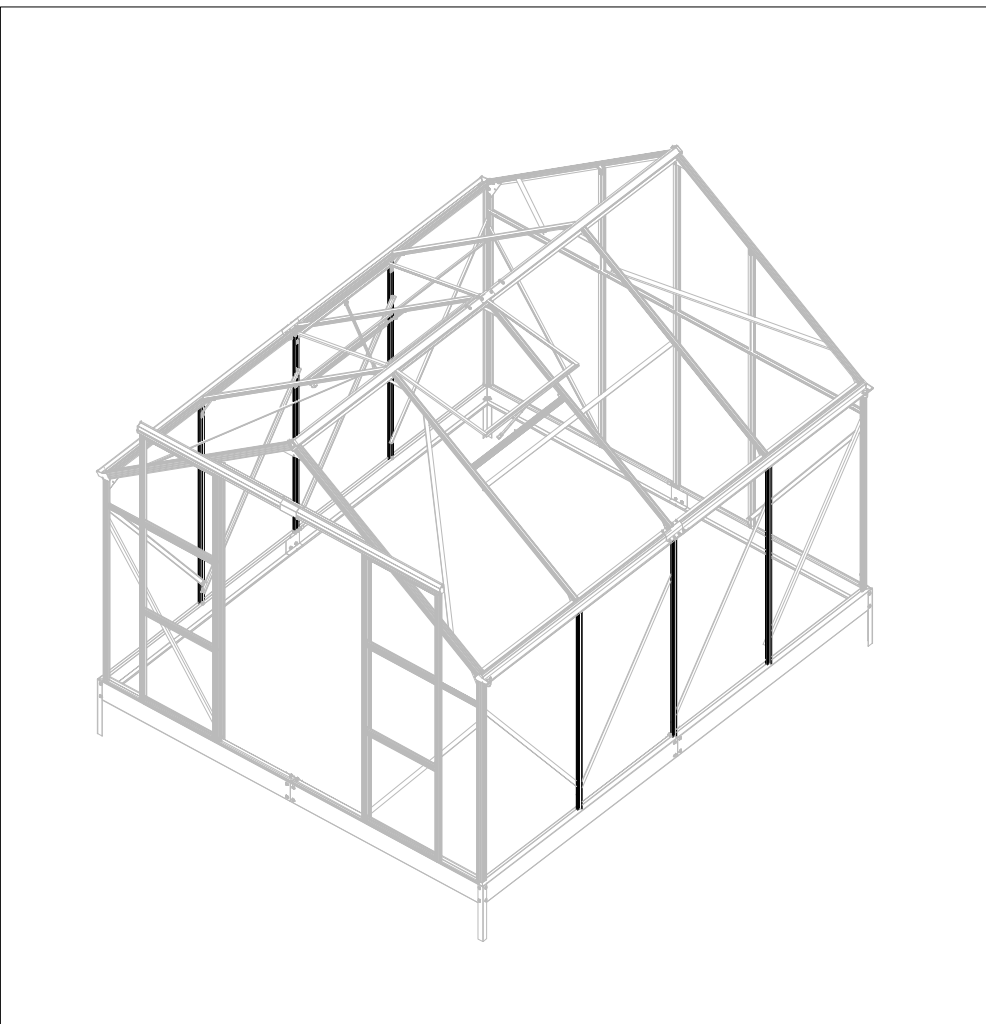
a-1



a-2

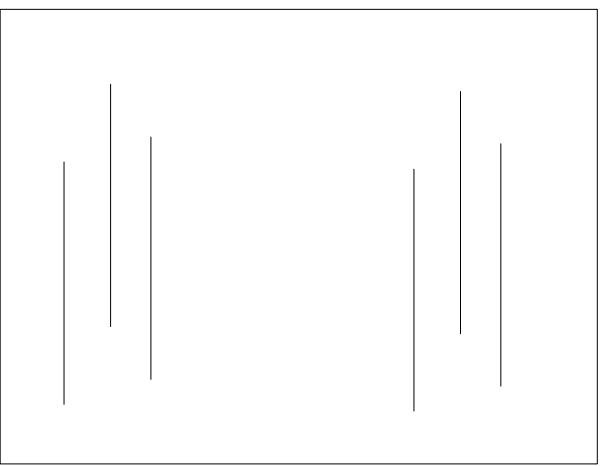
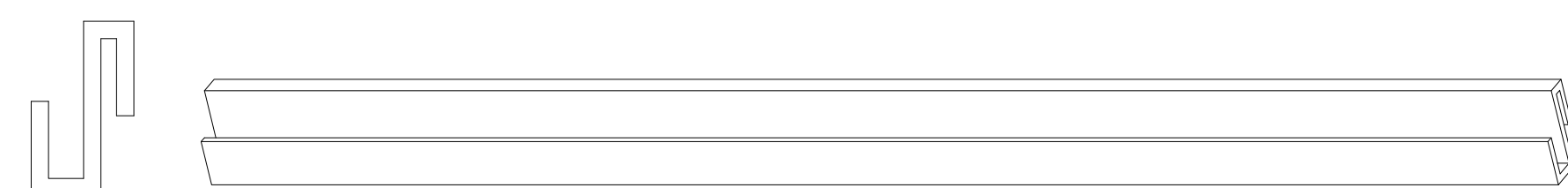


# Wall

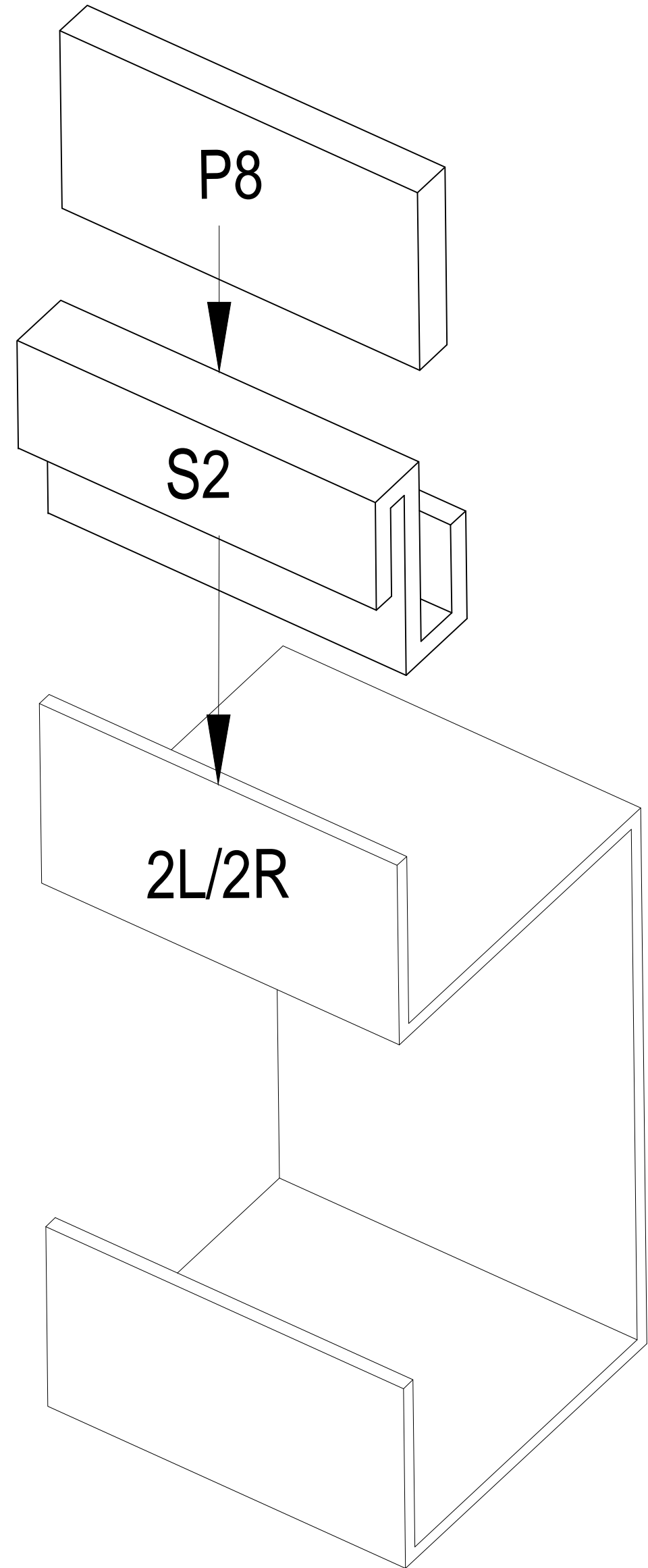
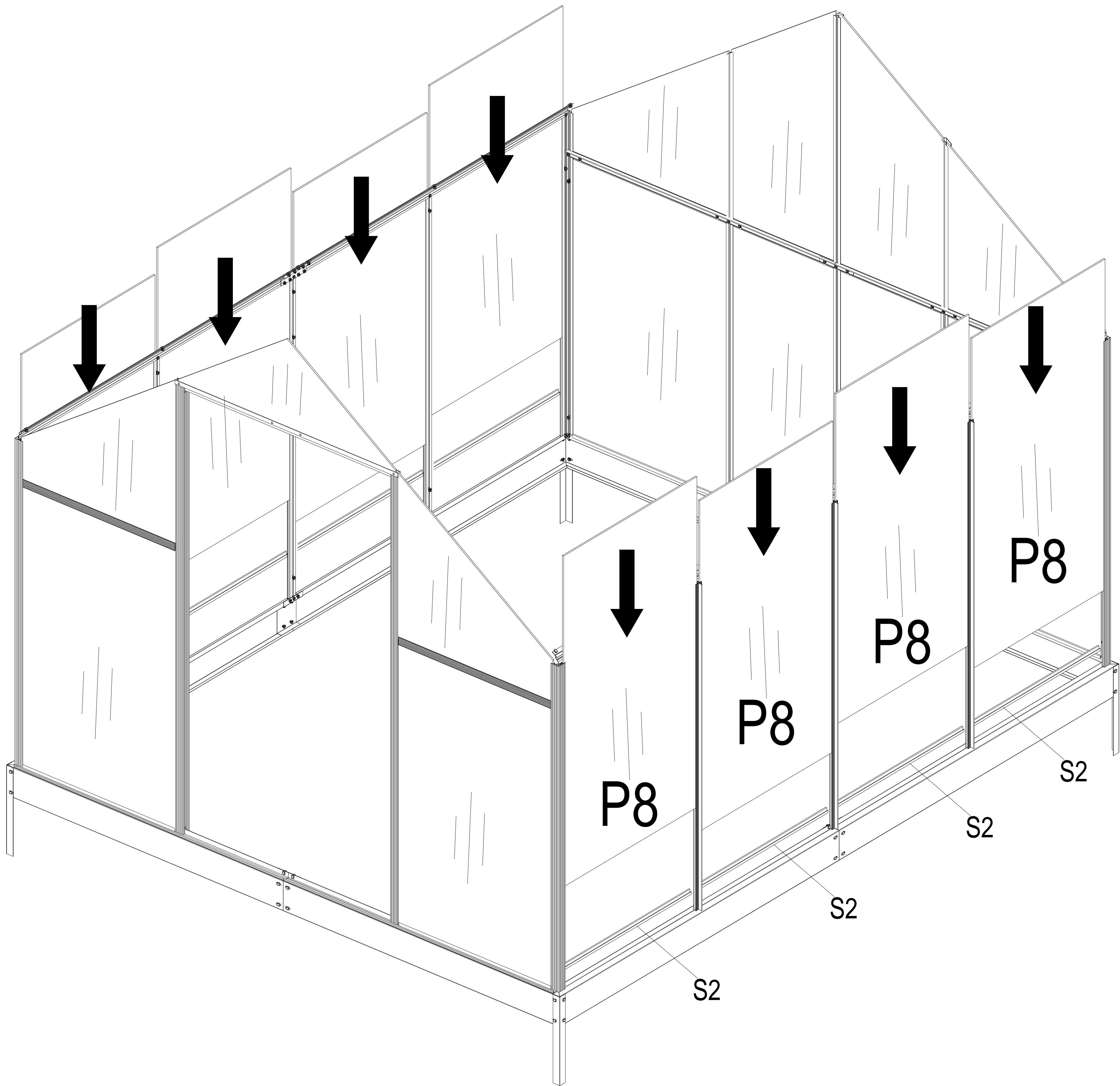
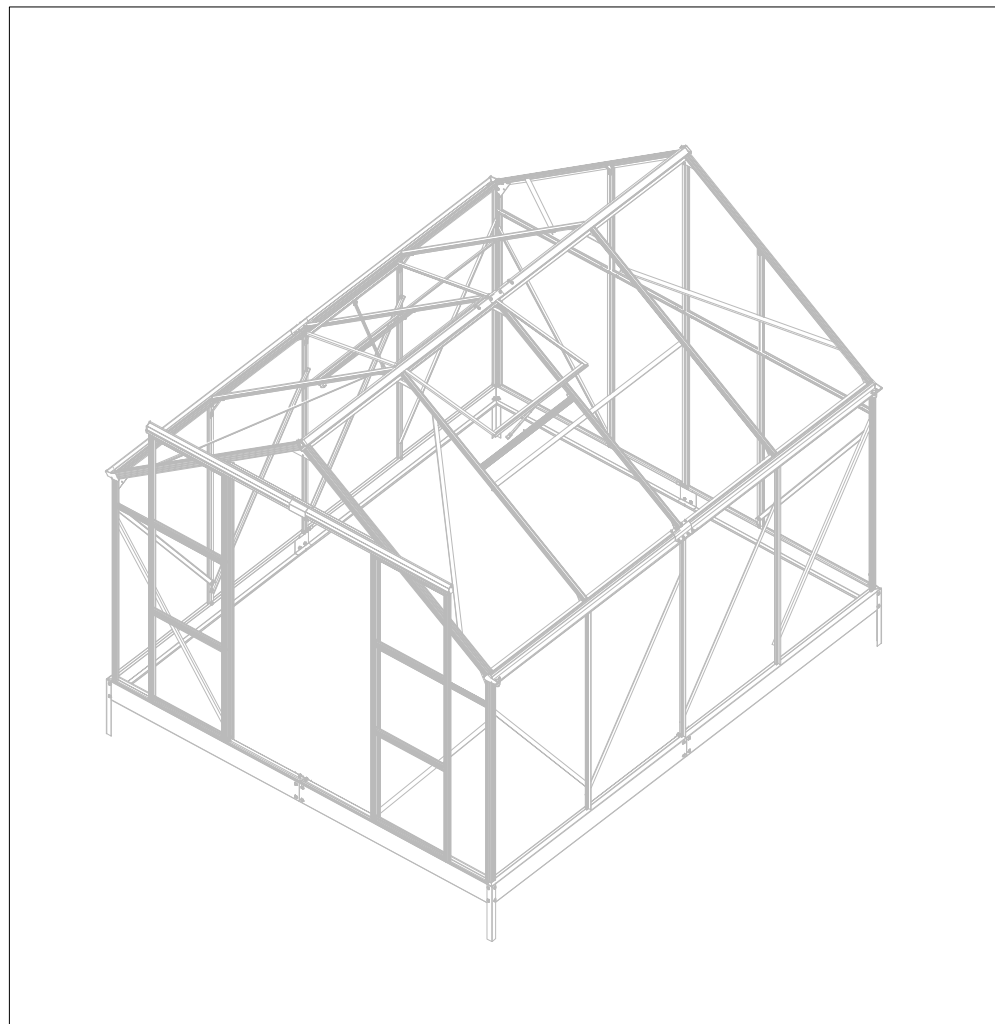


# Wall

S2x8



P8 x8

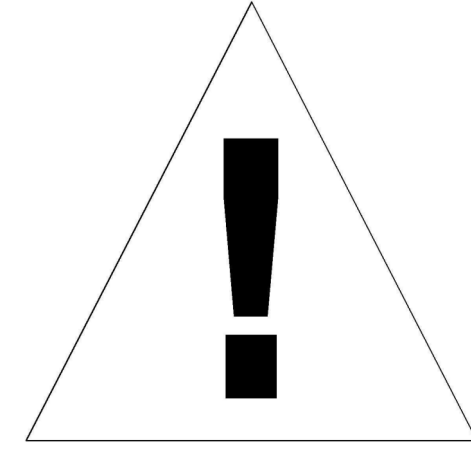
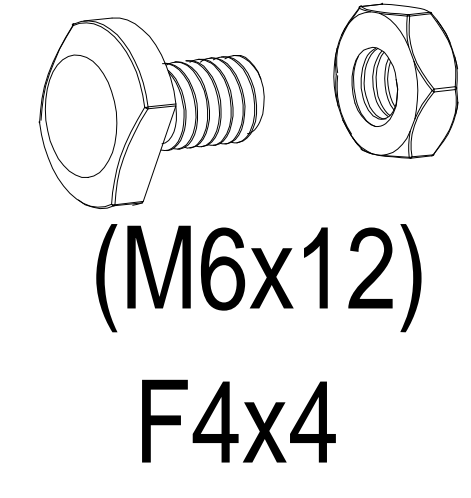




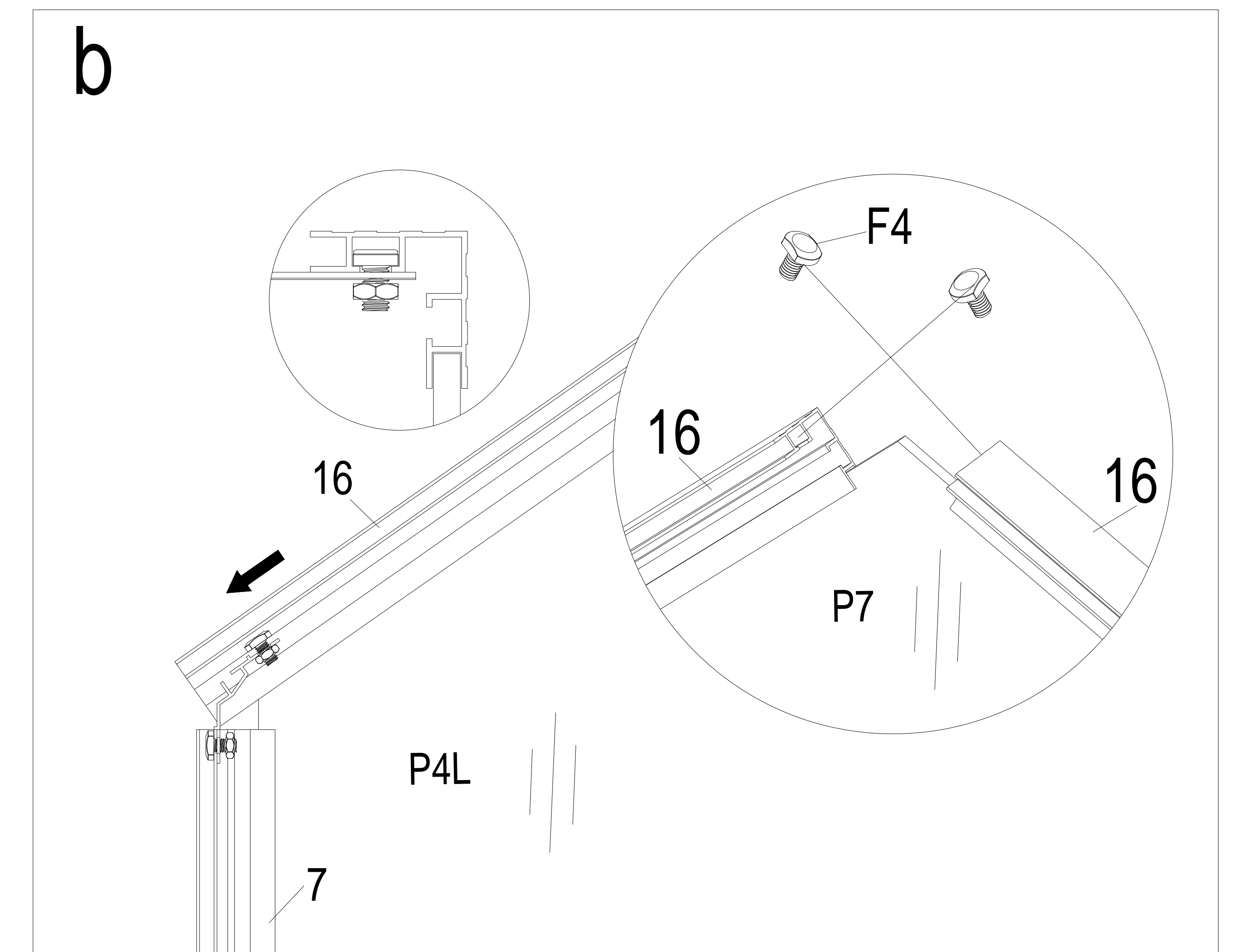
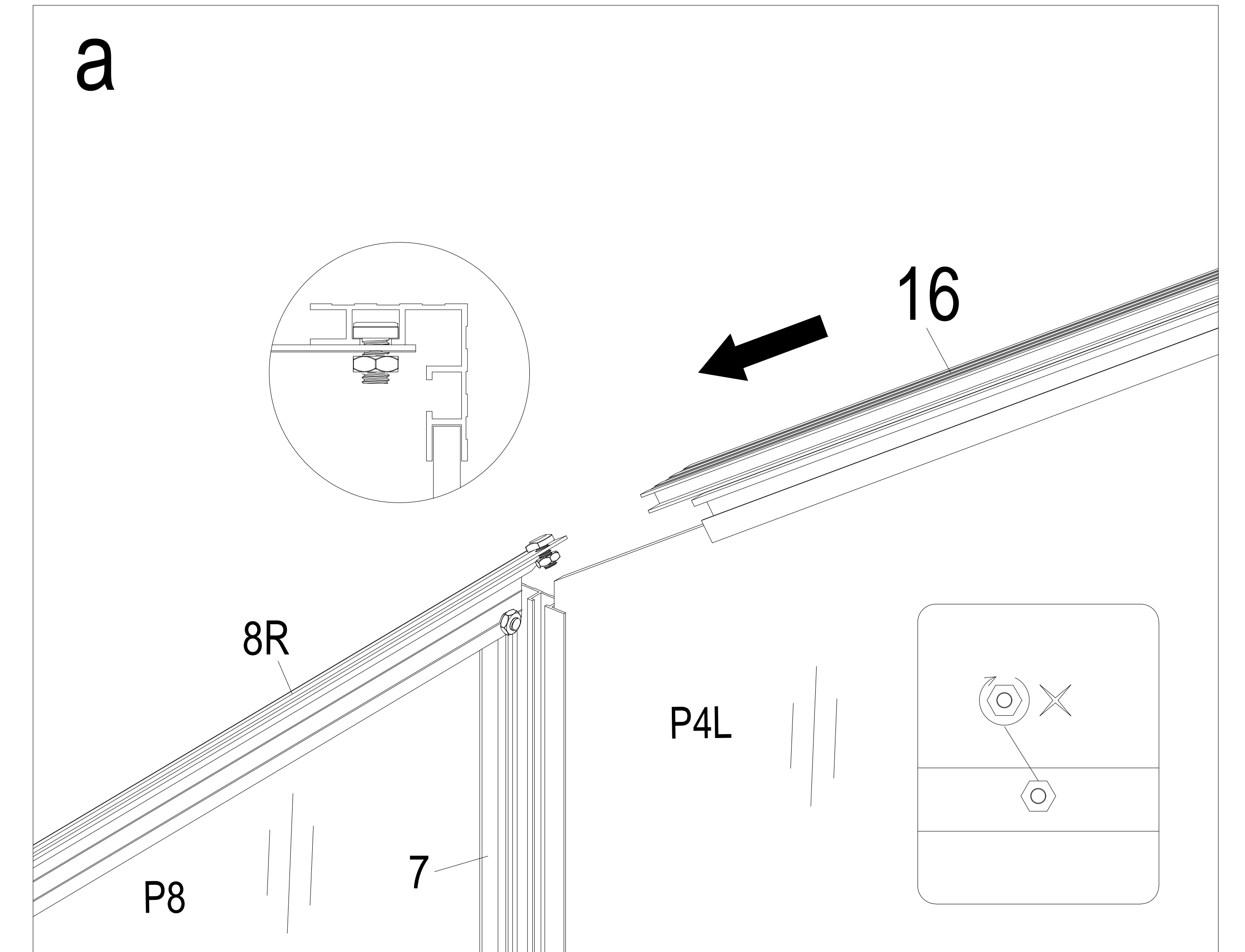
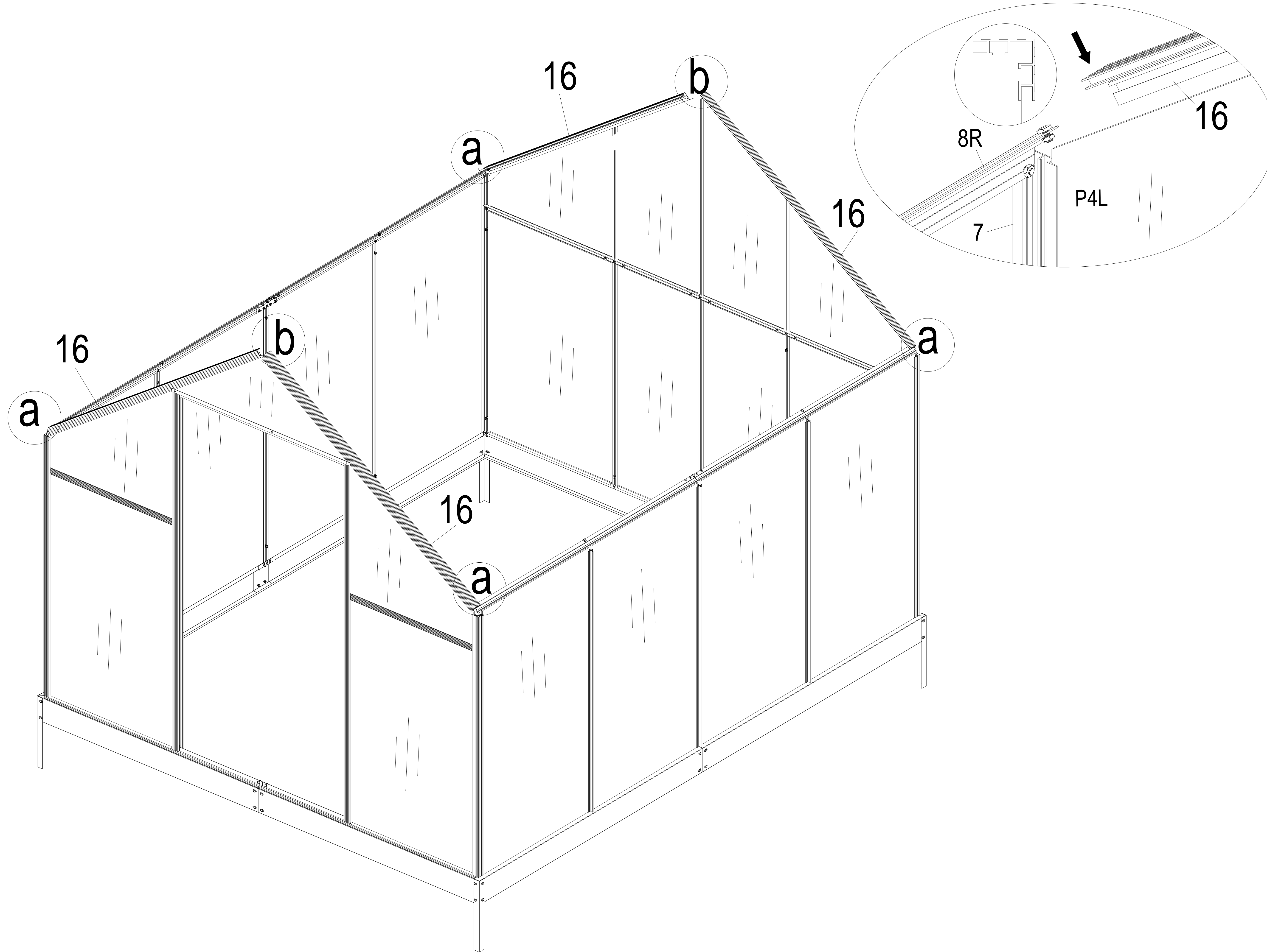
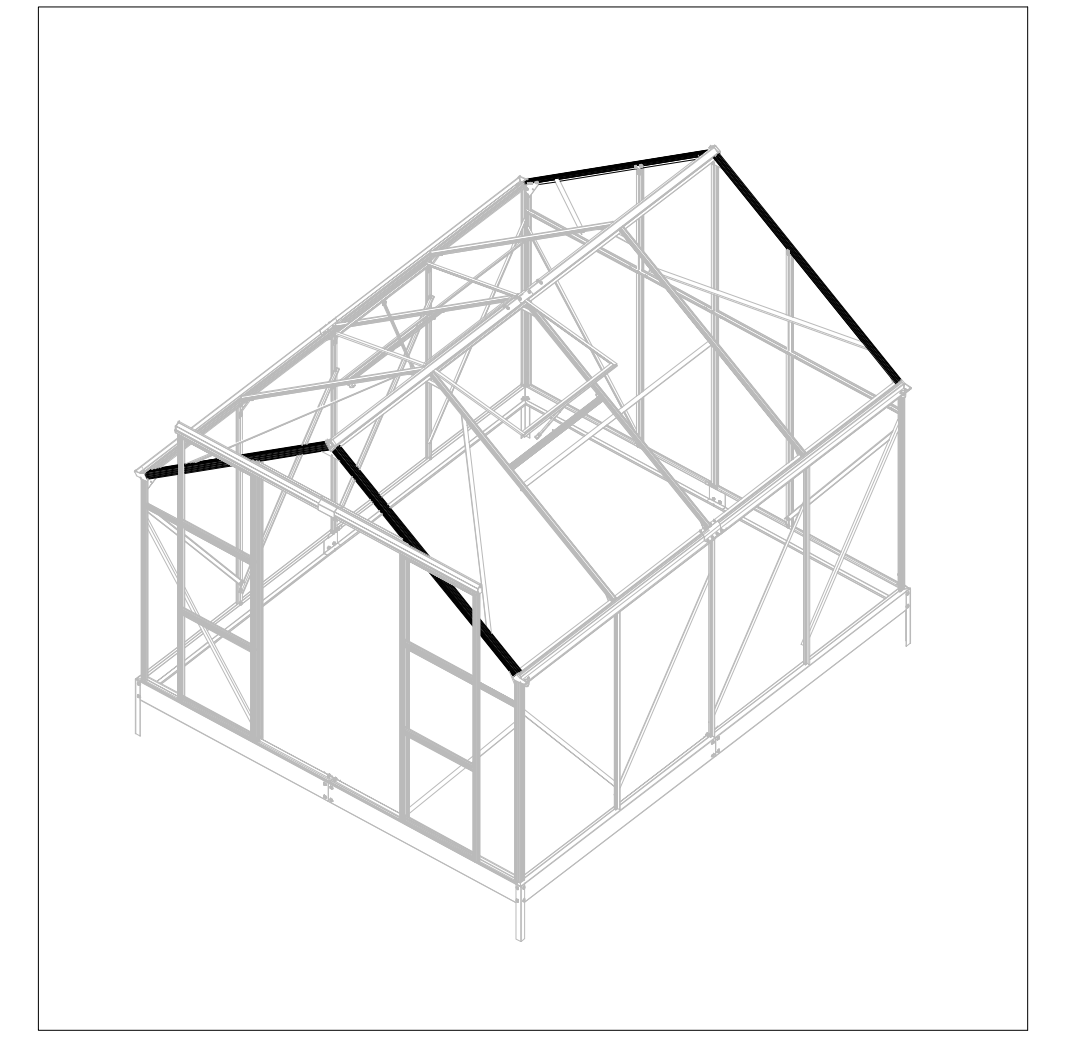


# Roof

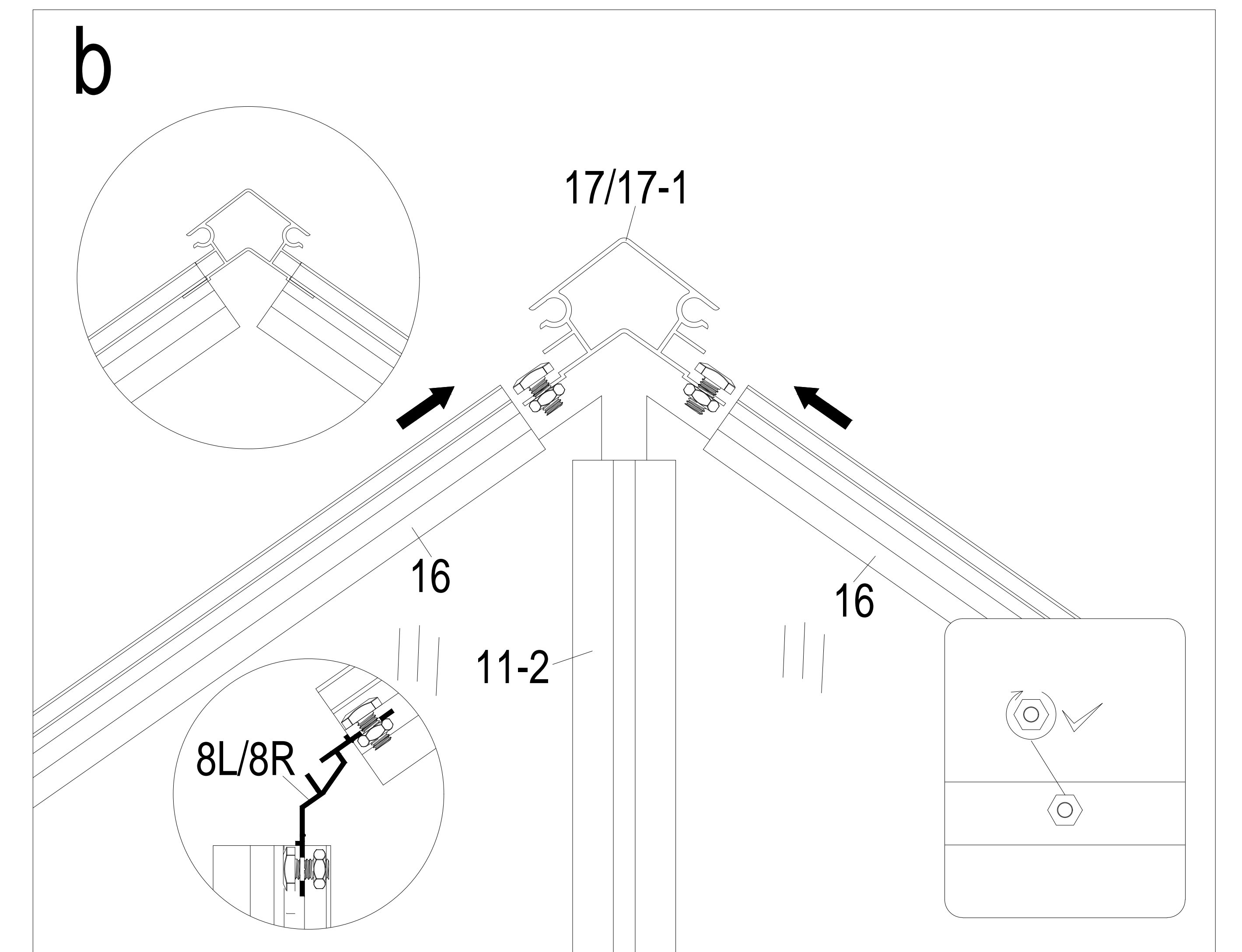
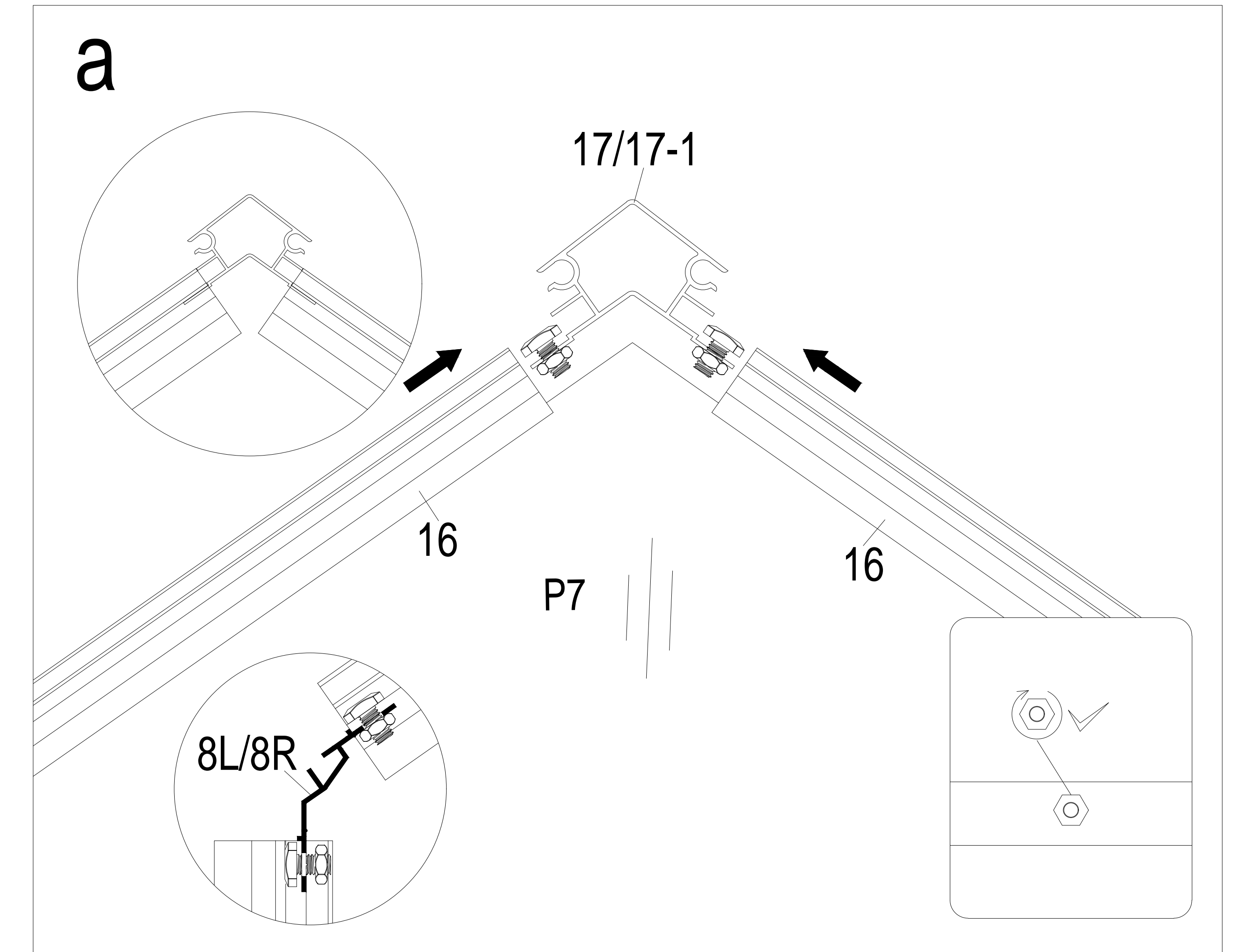
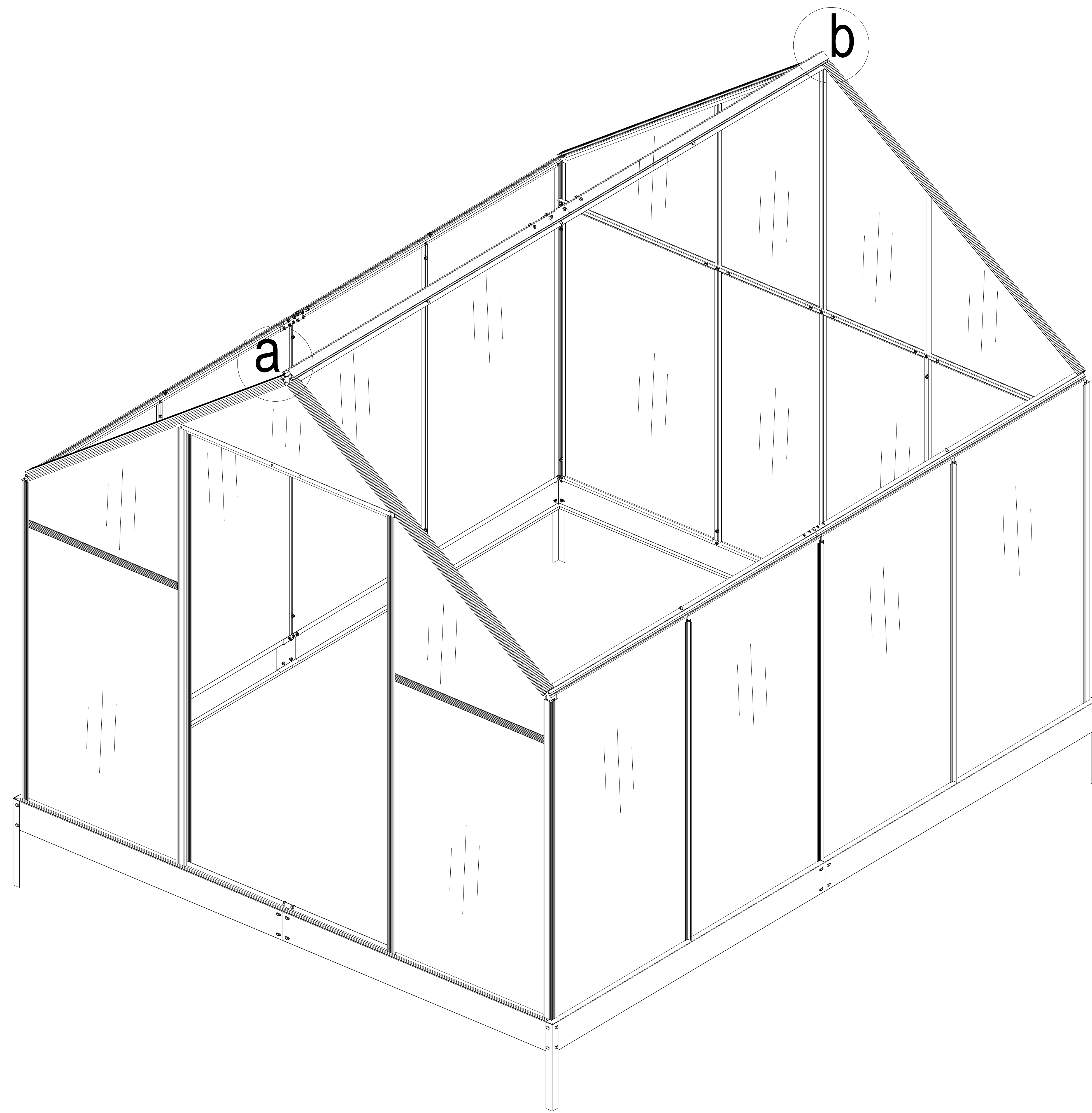
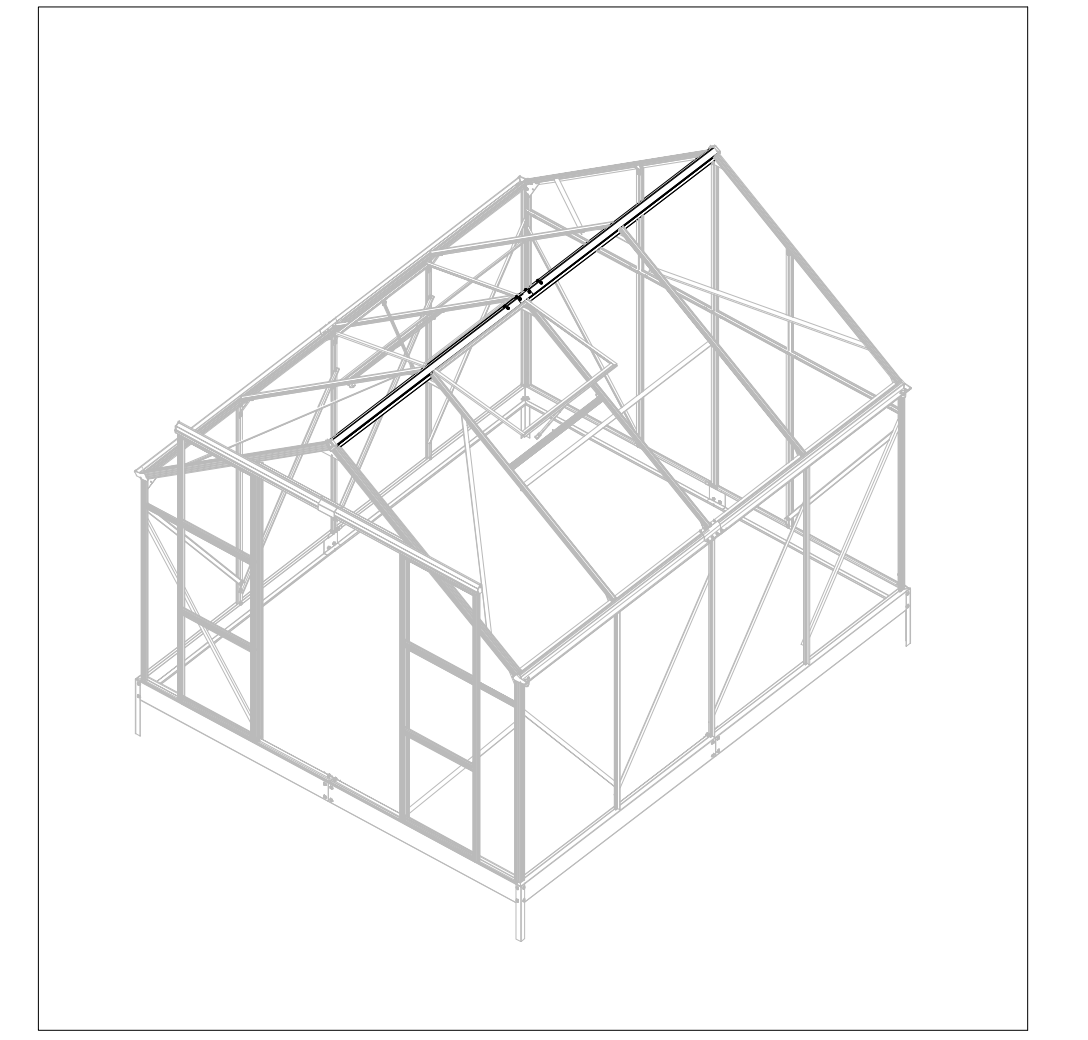
16x4



No 16 accessories needs installed according to the picture, and the bottom should be pulled out a little

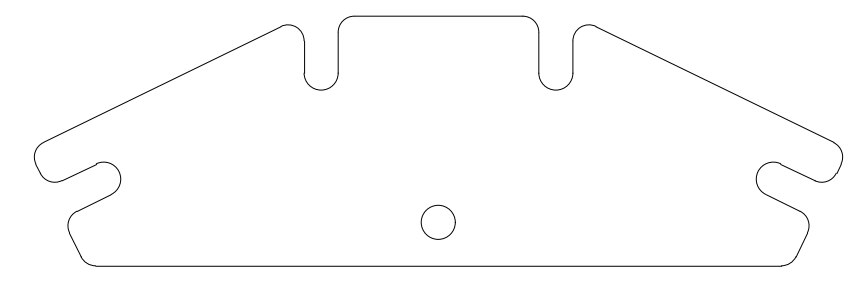


# Roof

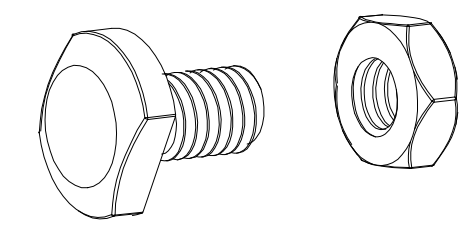




# Roof

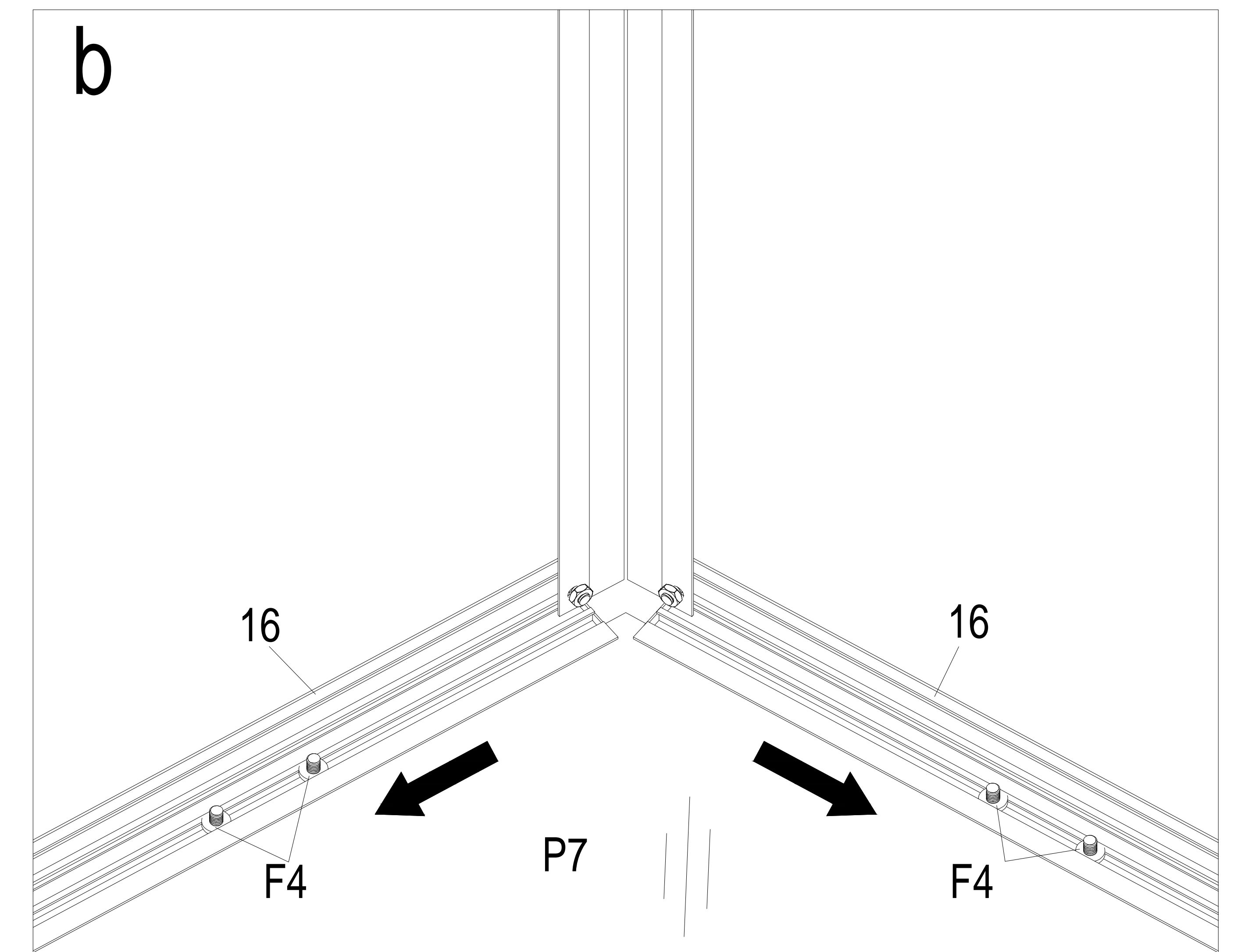
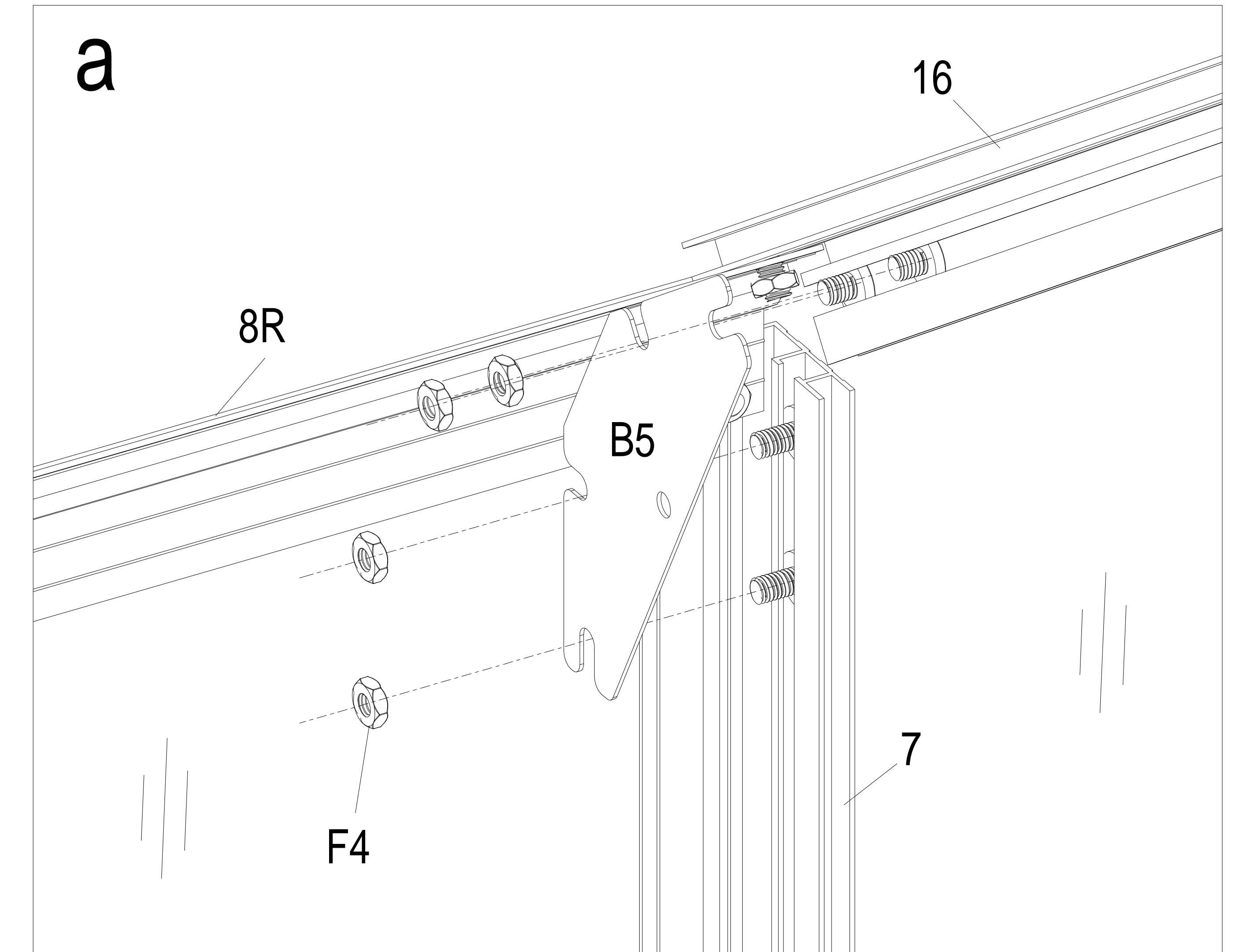
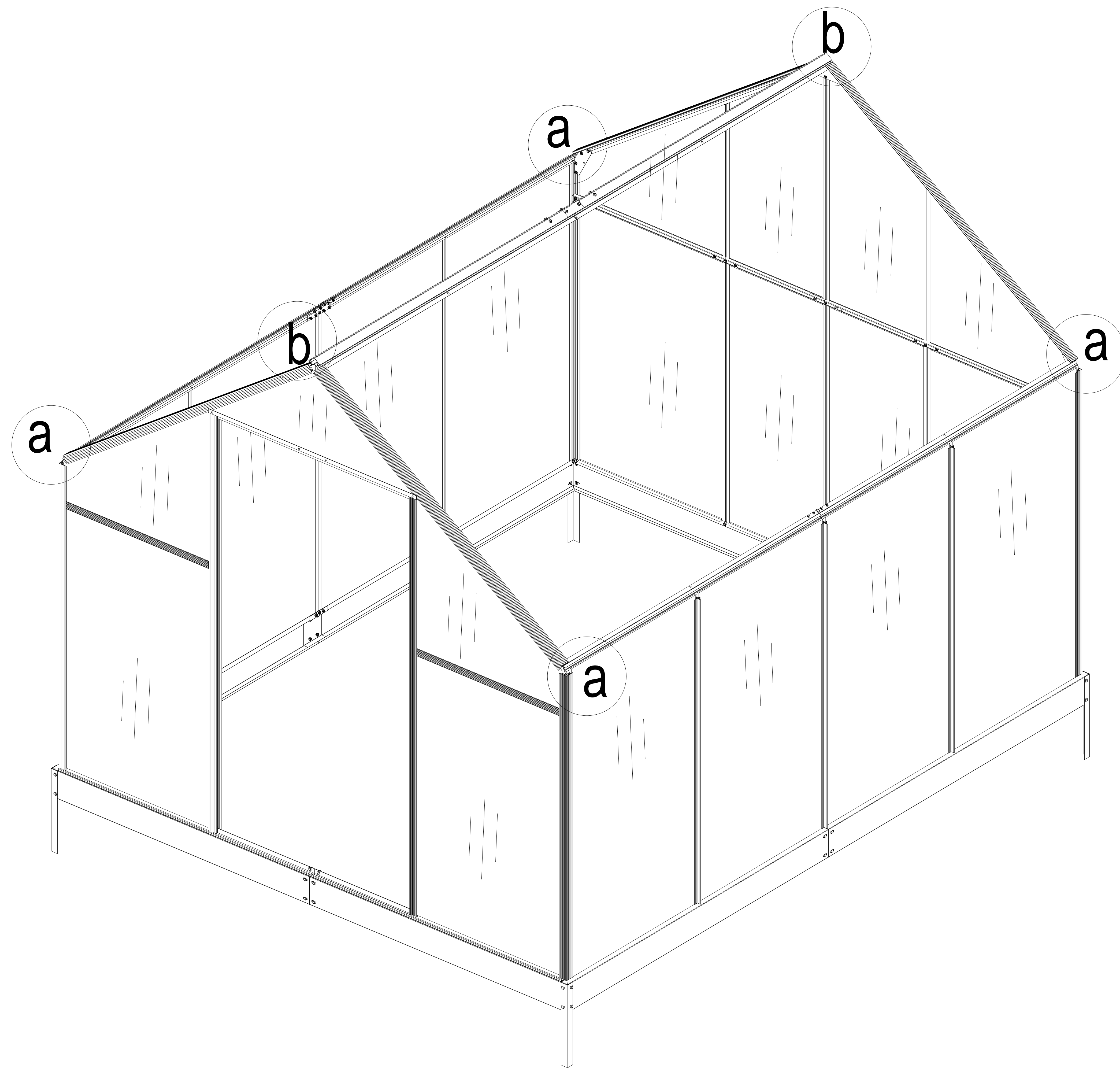
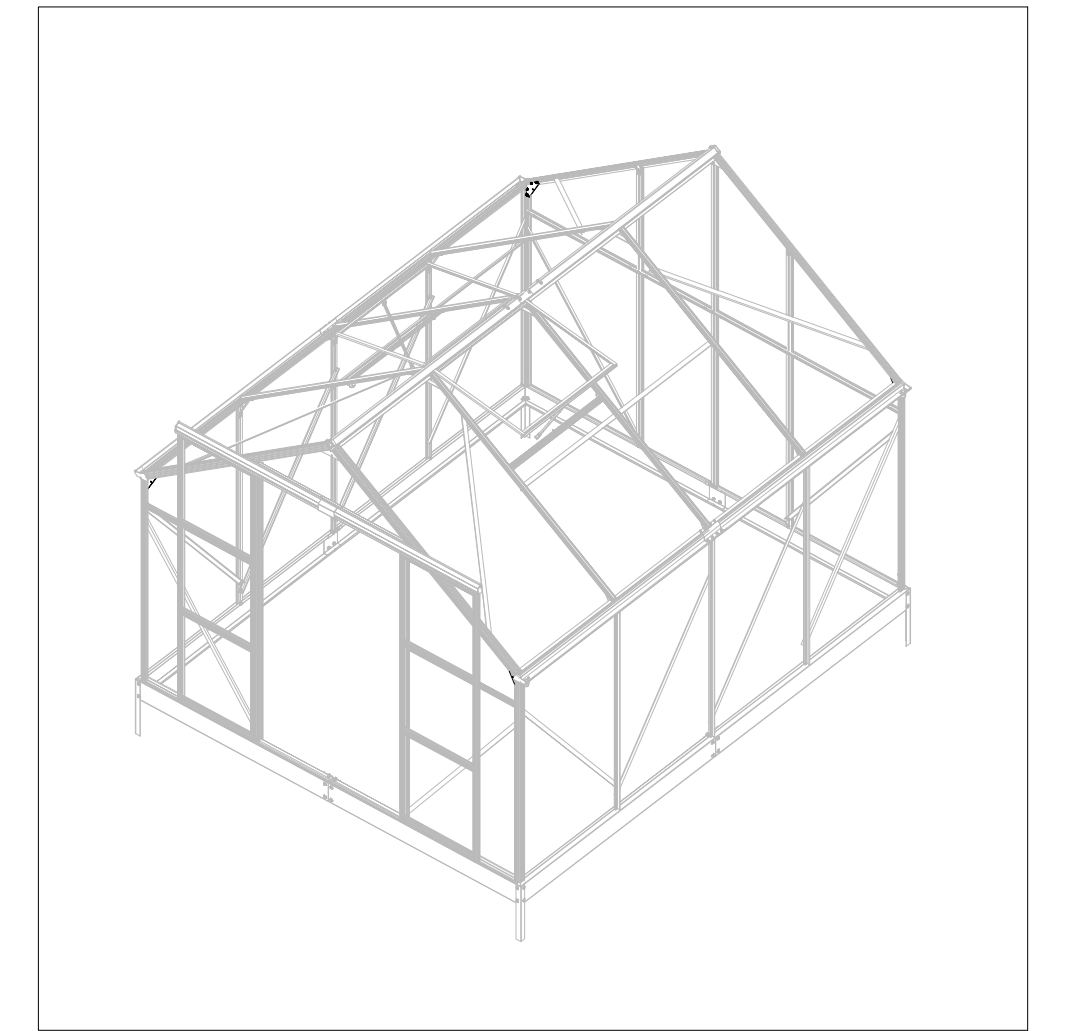


B5x4



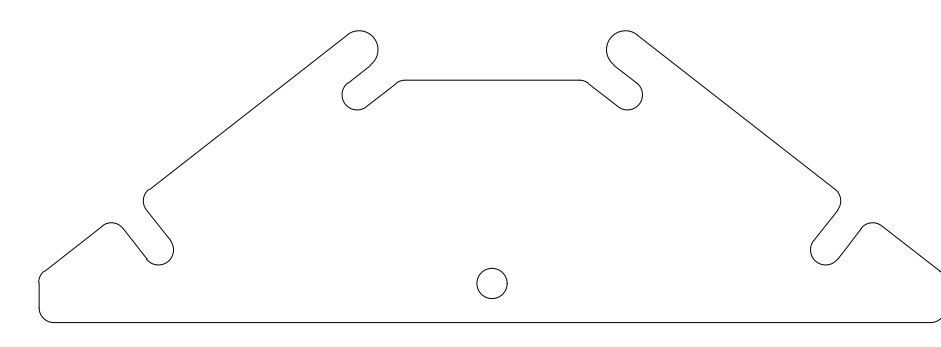
(M6x12)

F4x24

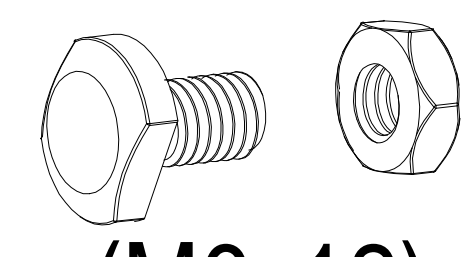




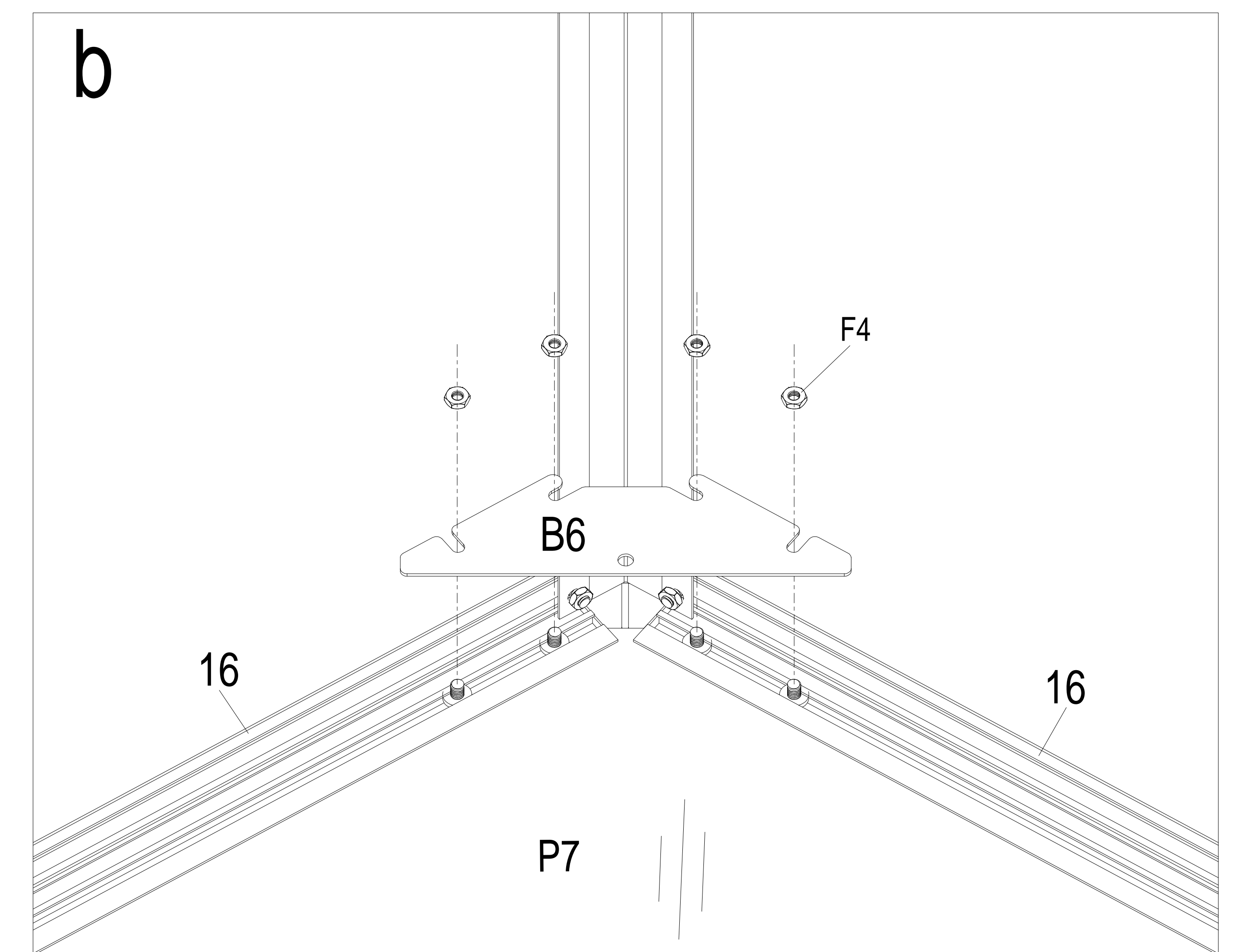
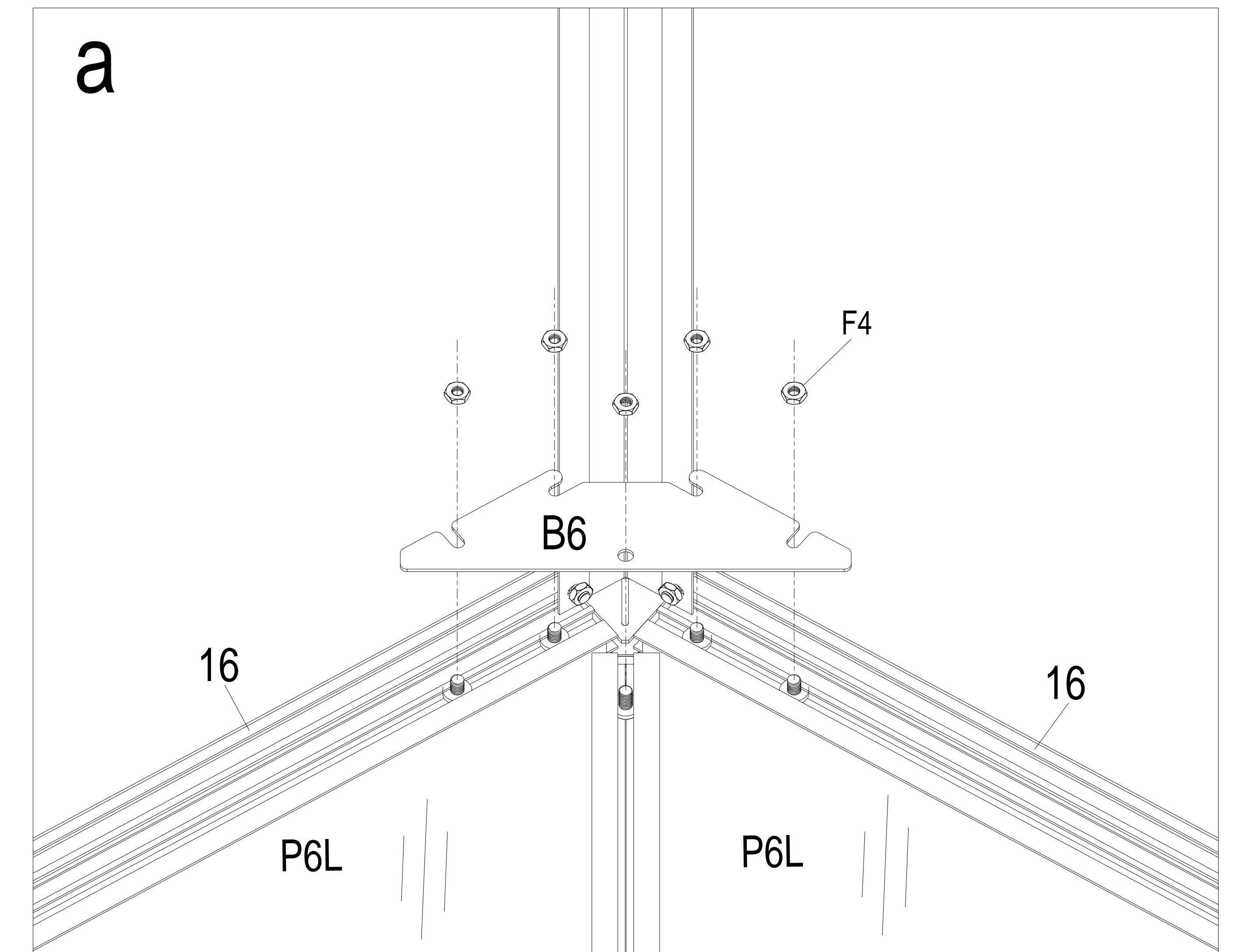
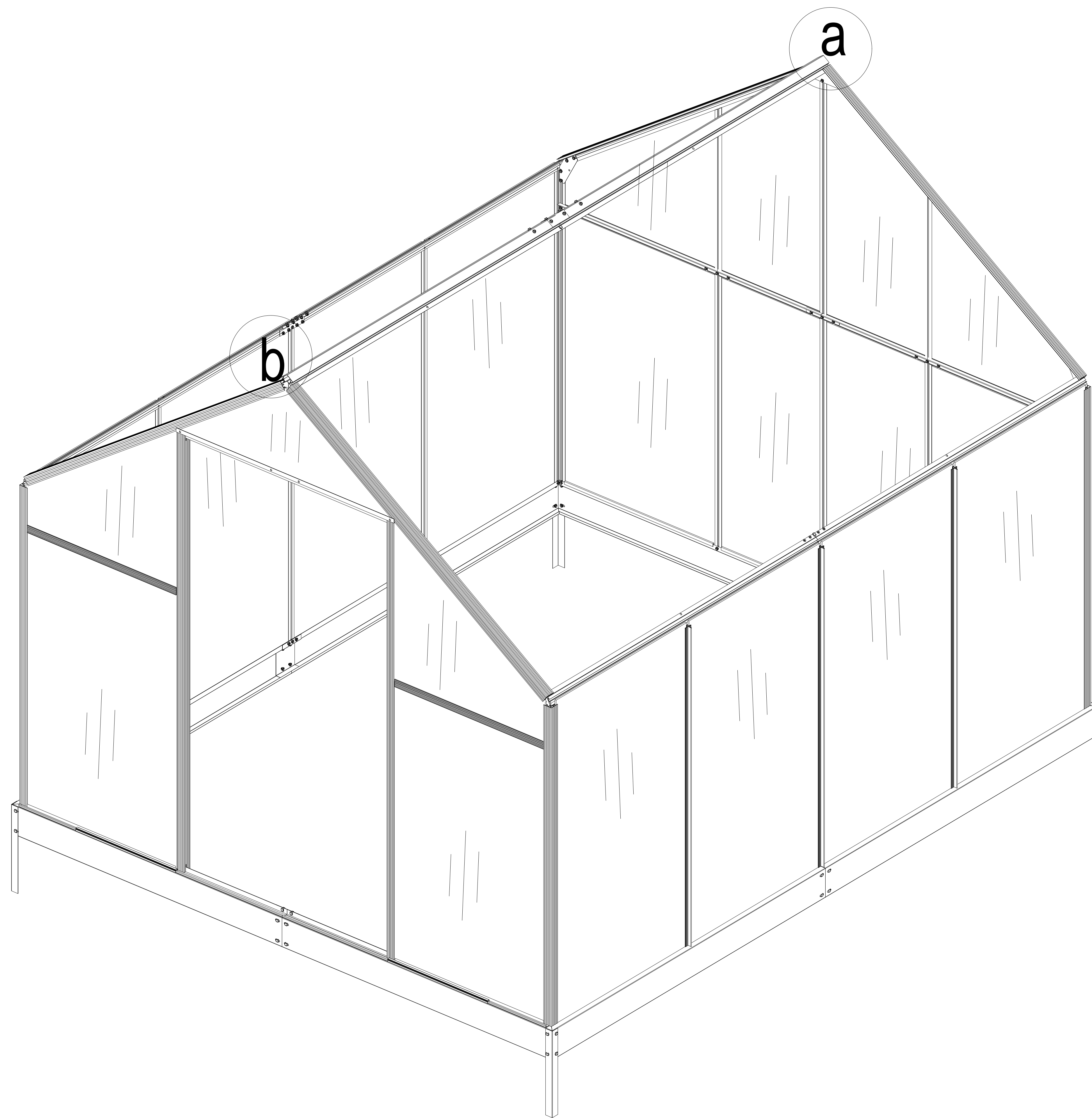
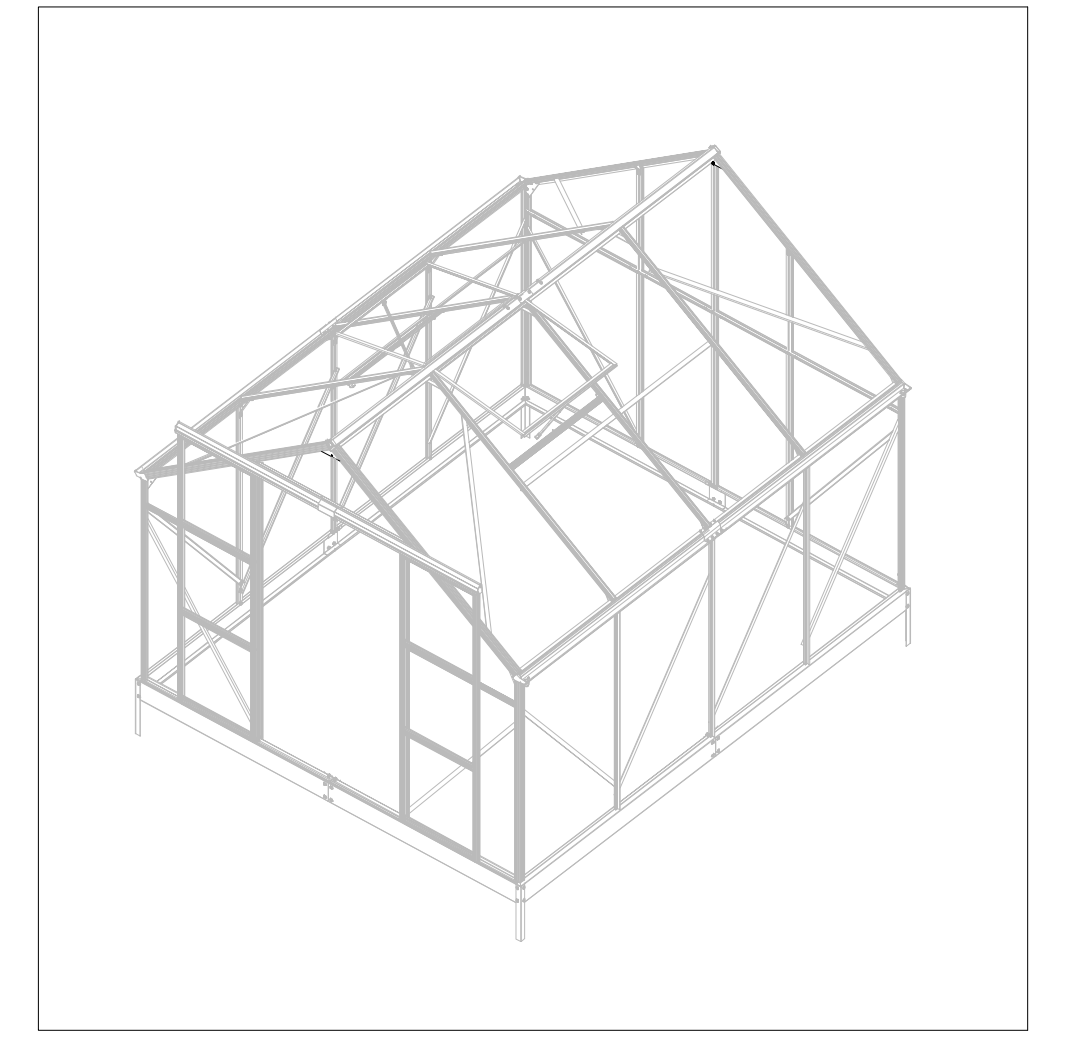
# Roof



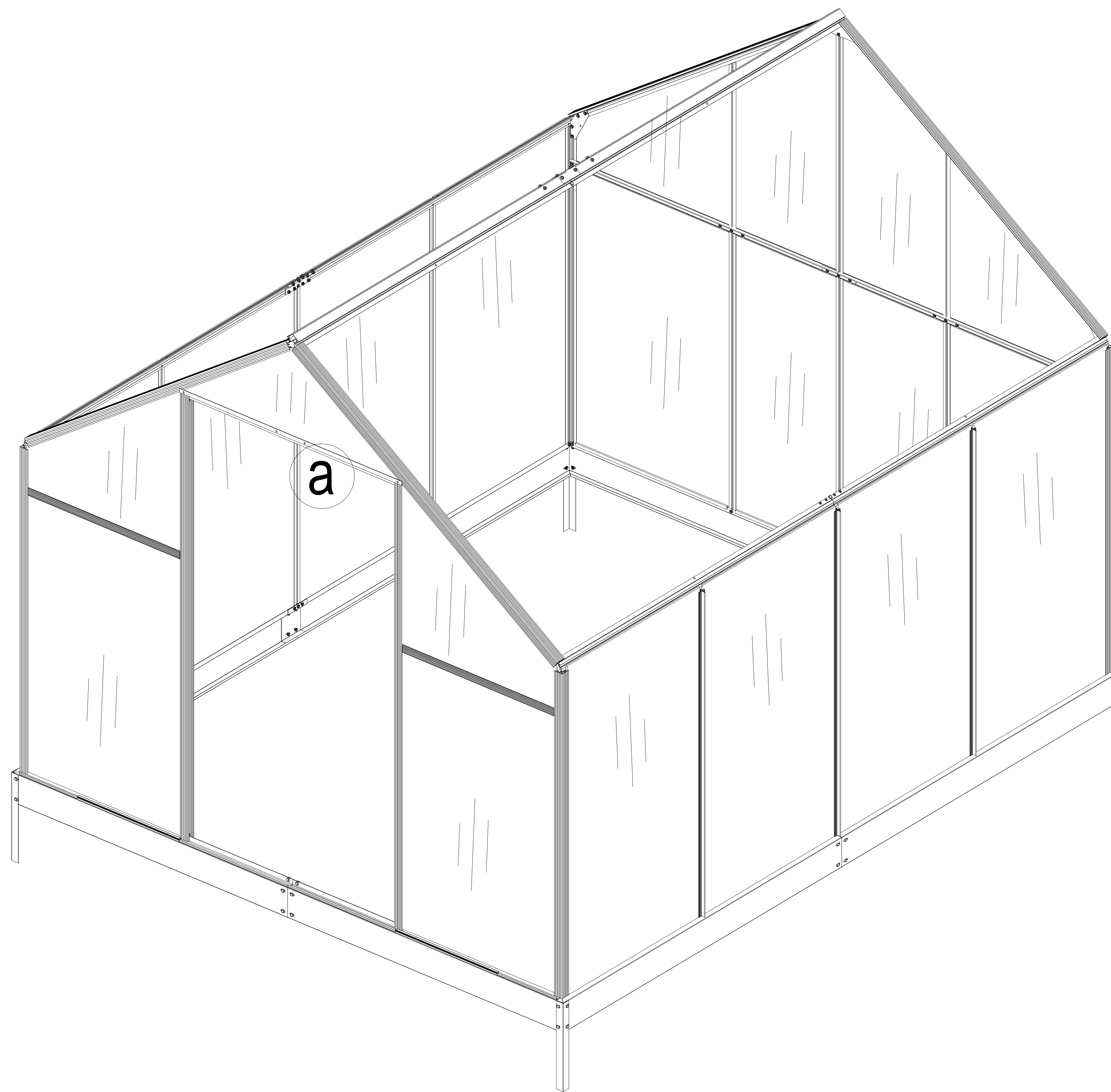
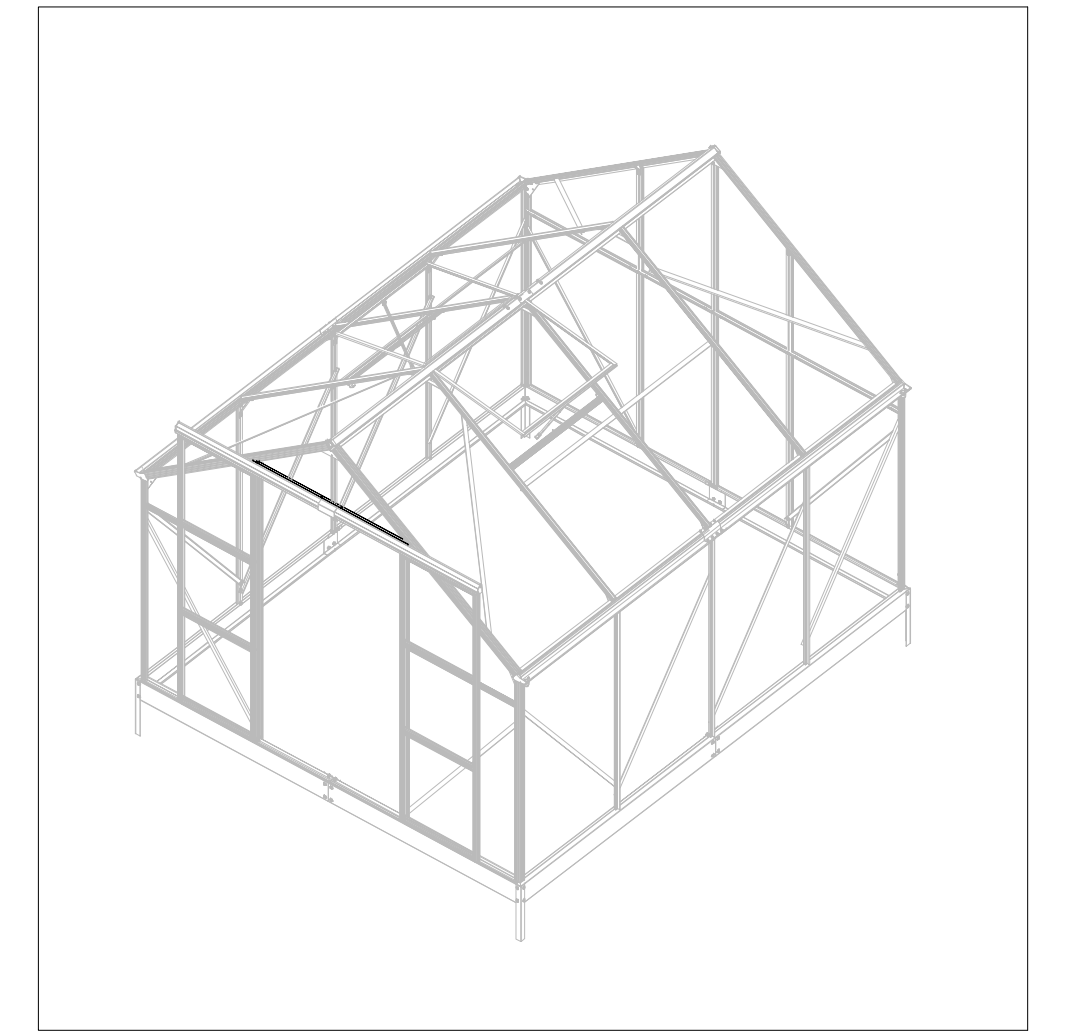
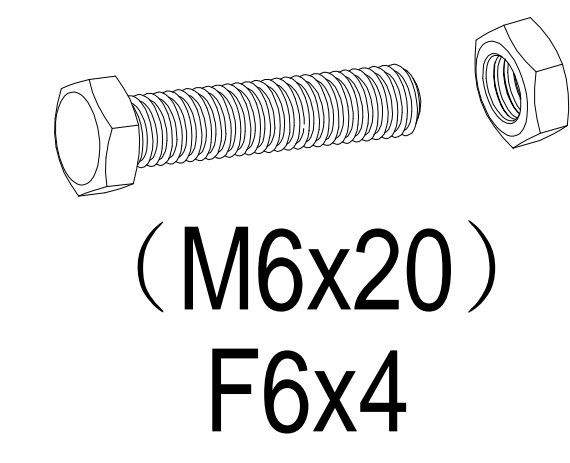
B6x2



(M6x12)  
F4x8

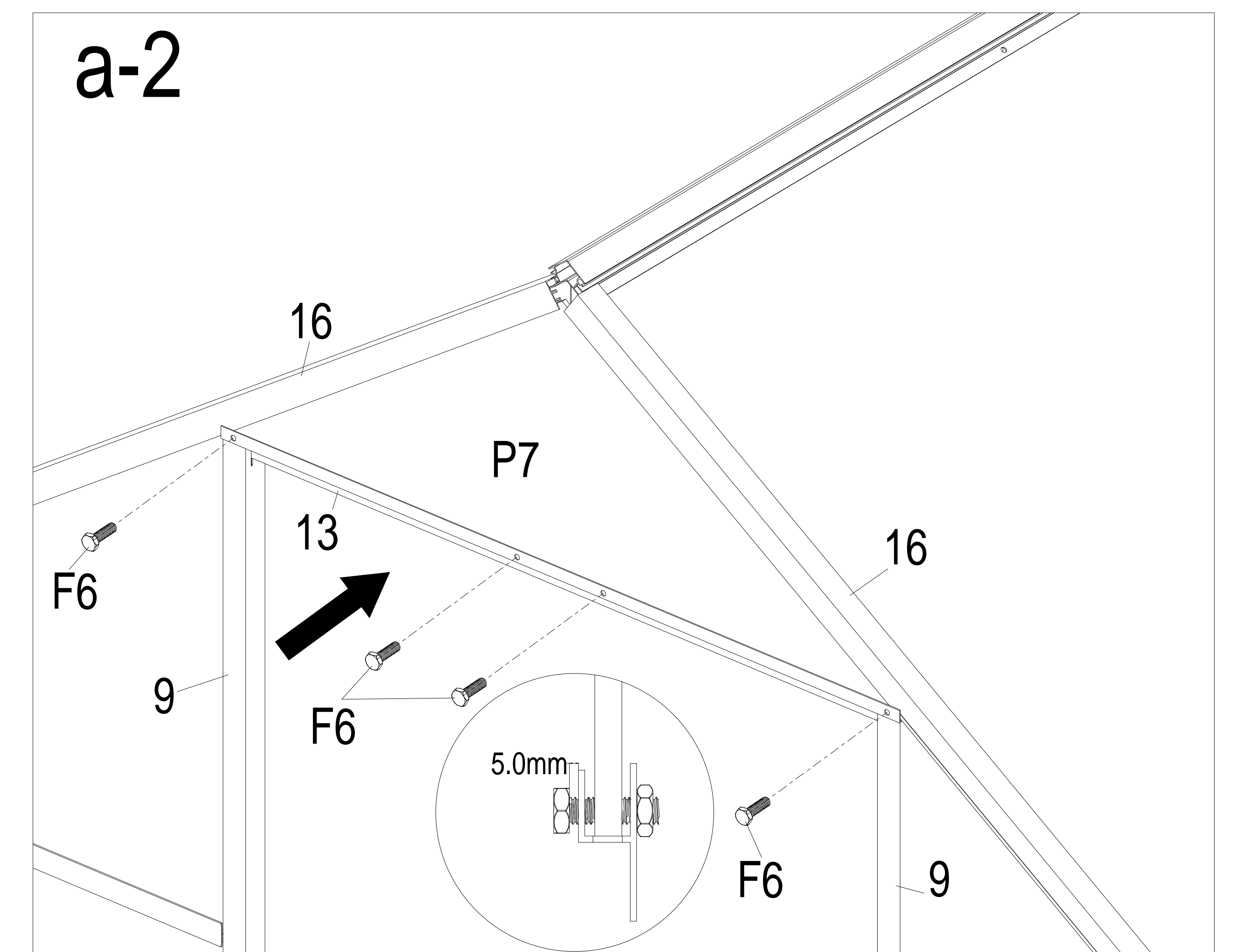
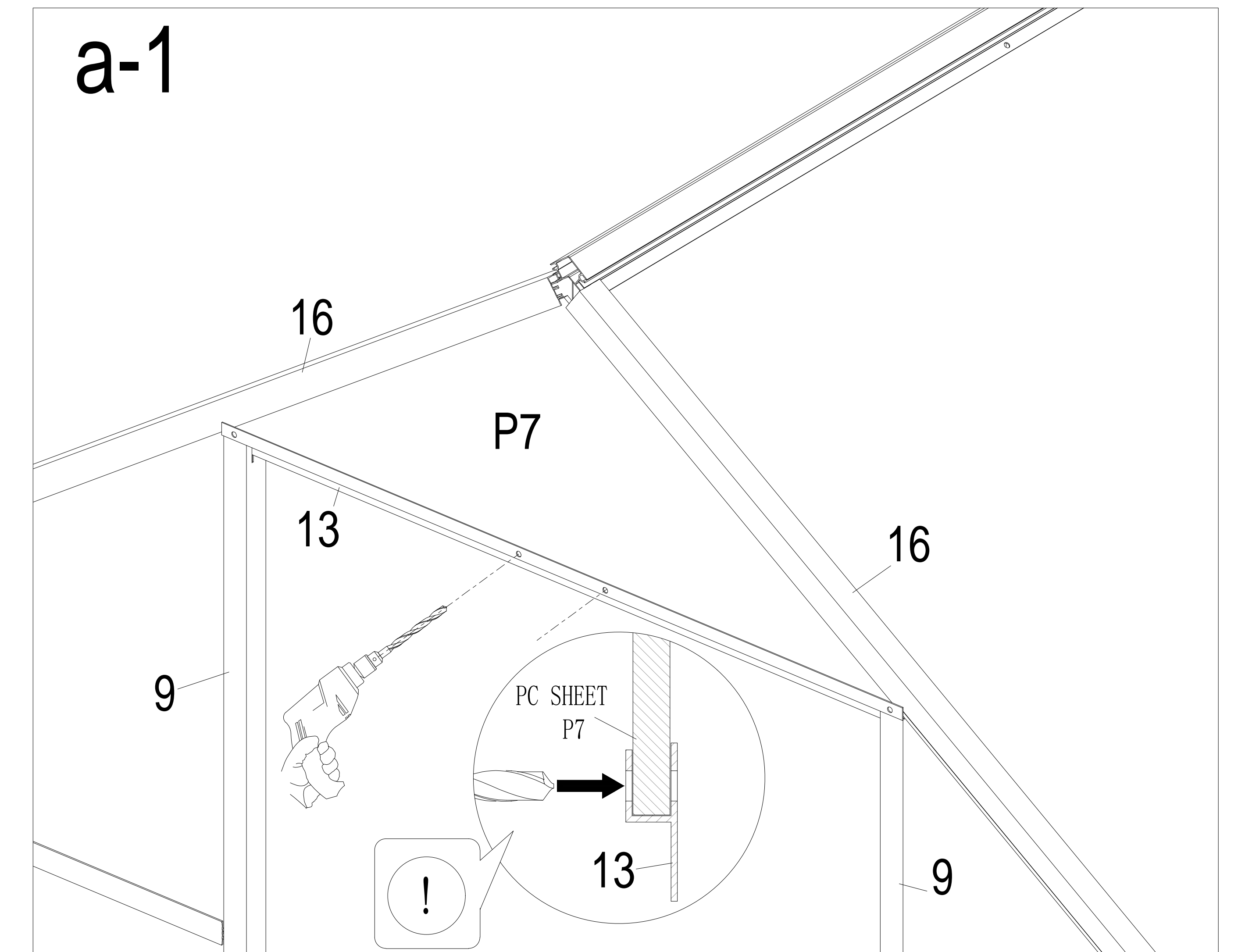


# Roof



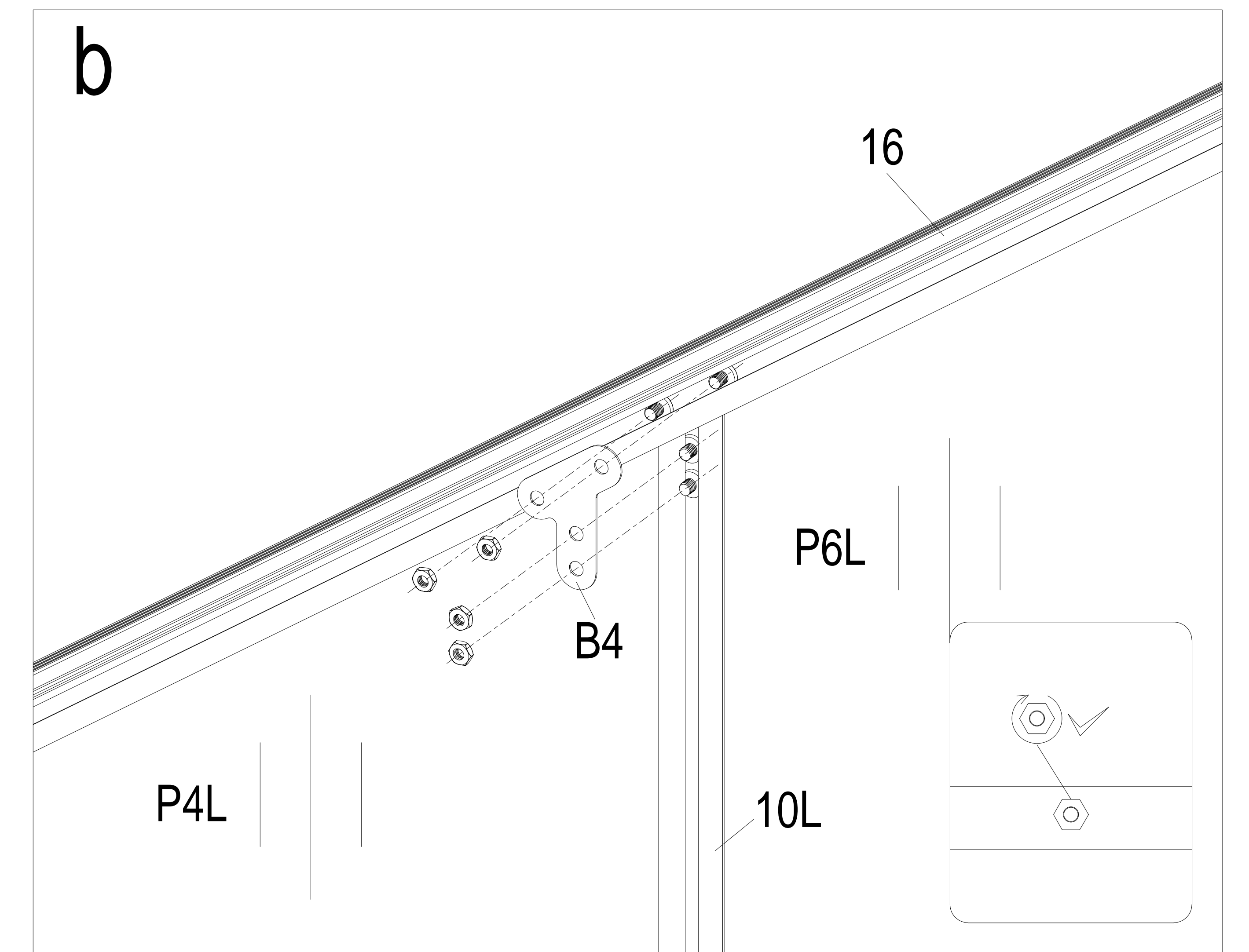
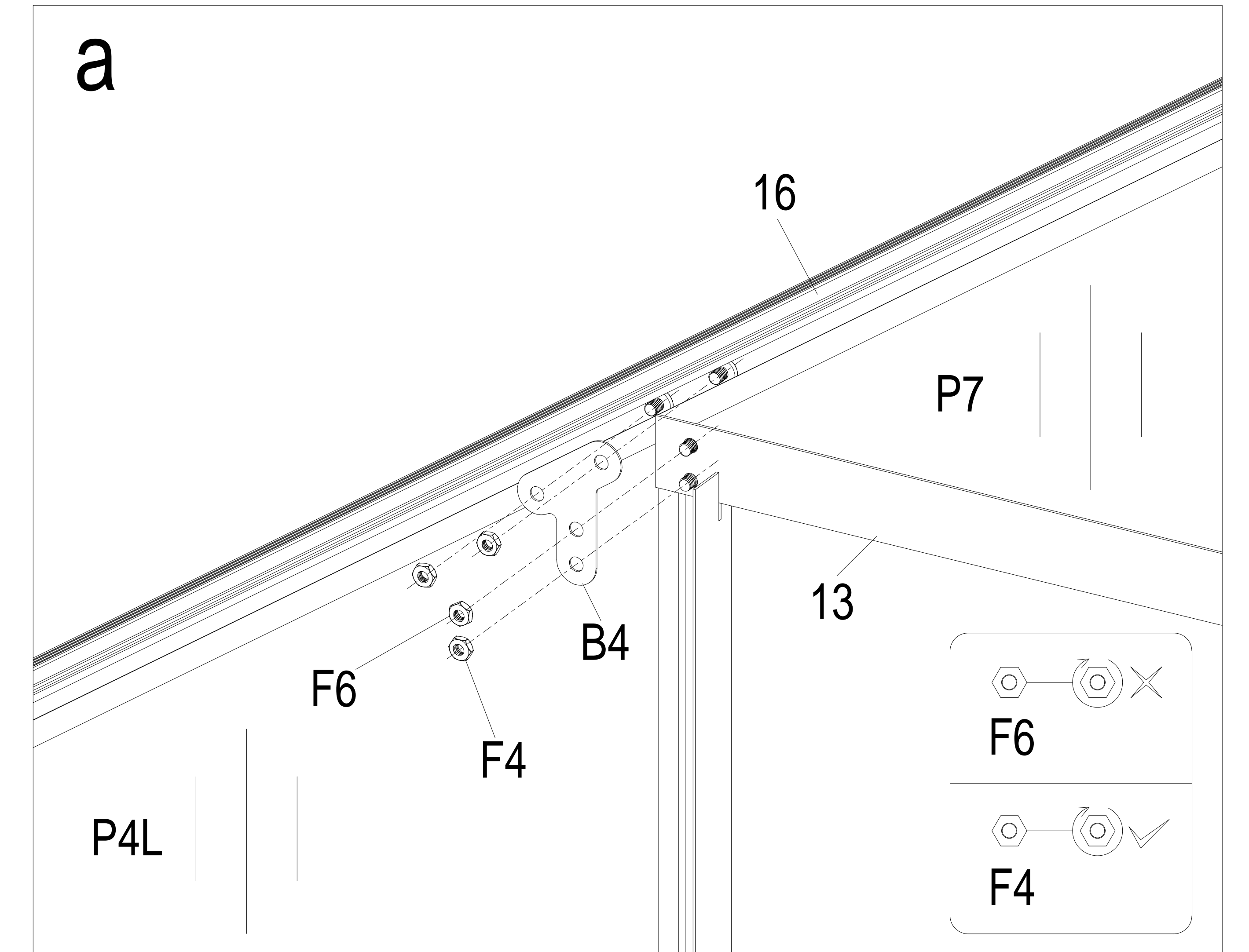
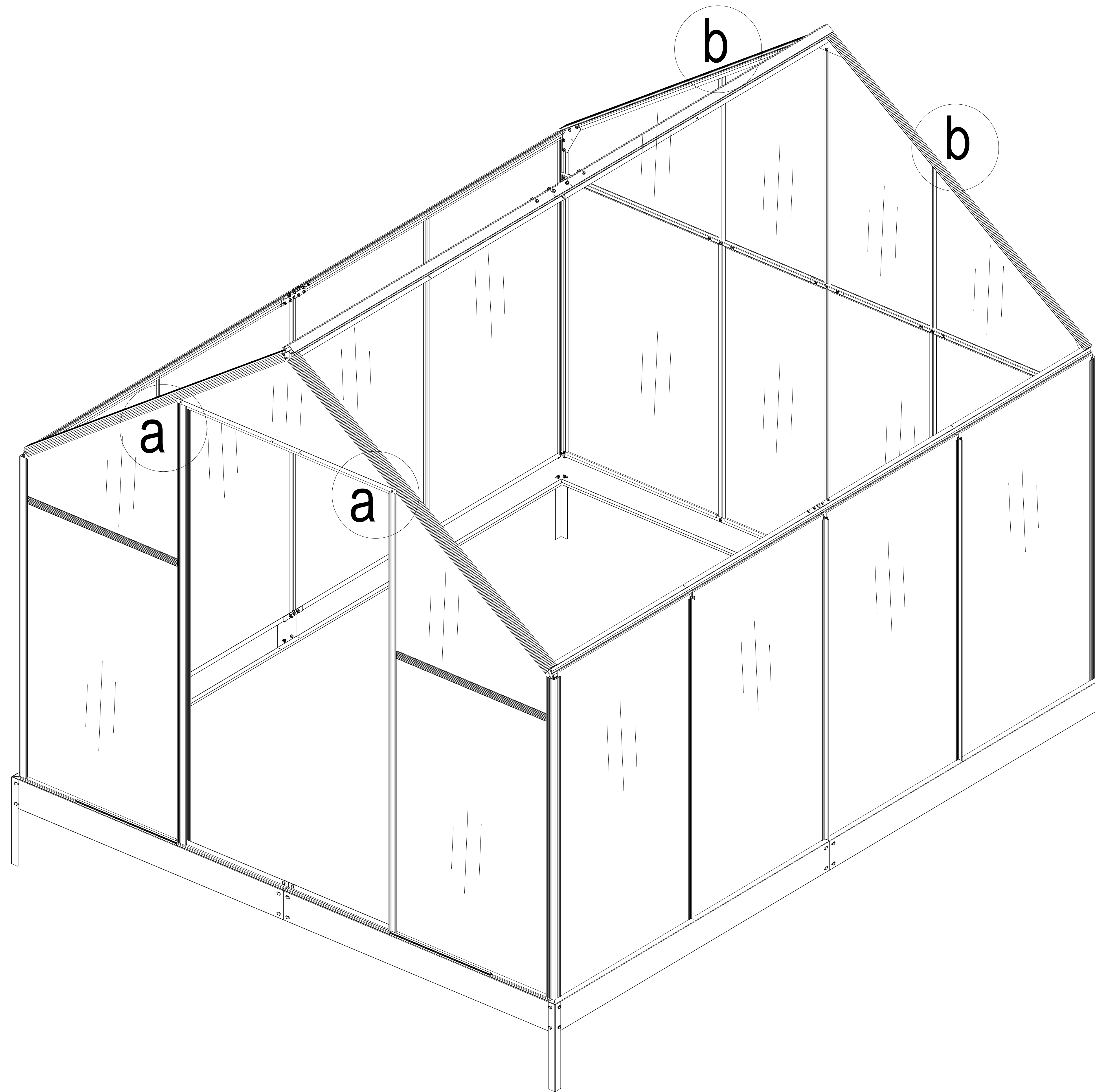
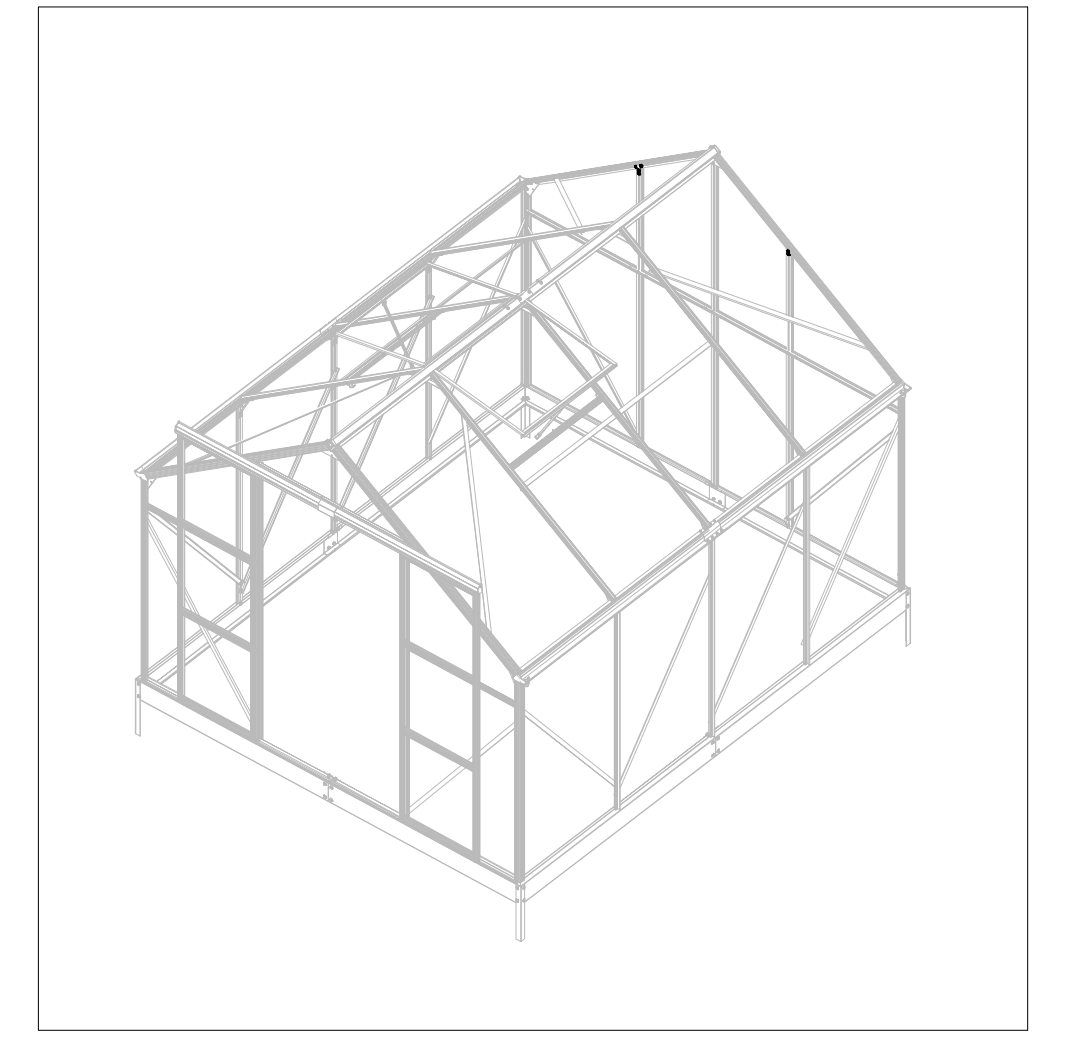
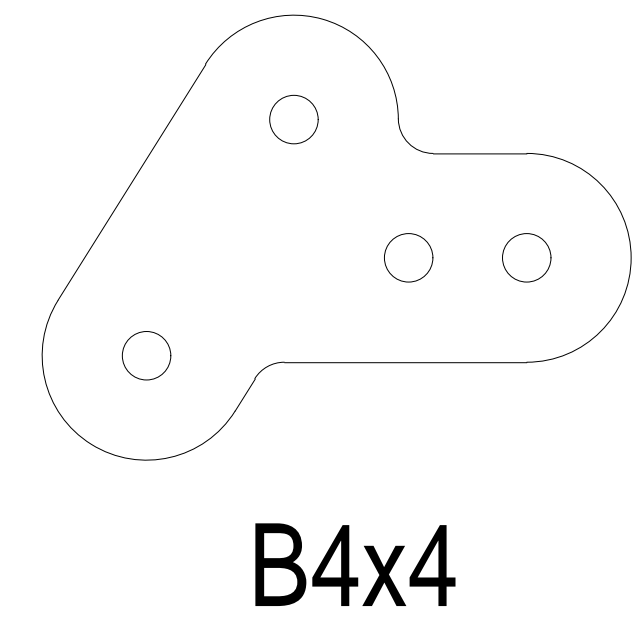
!

In order to install the screws, PC sheet need to be punched.

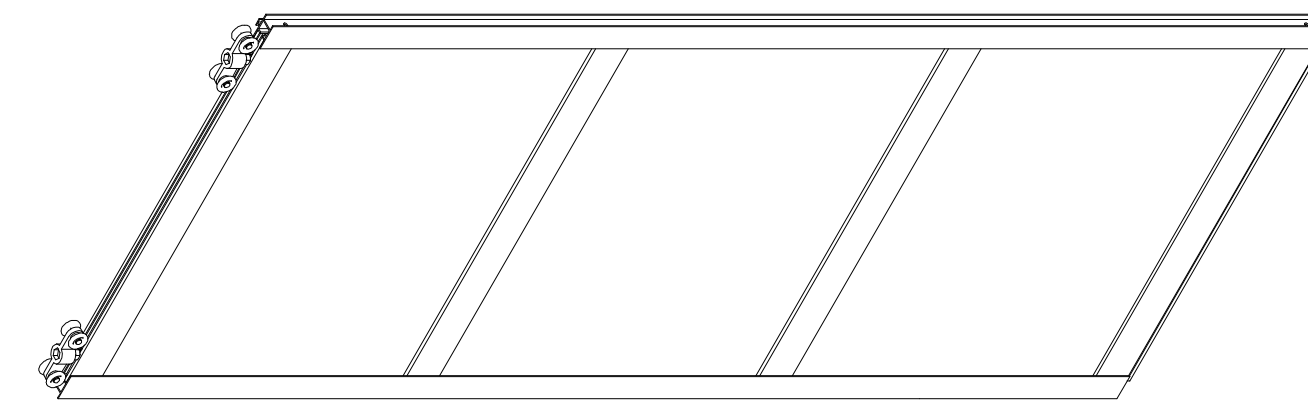
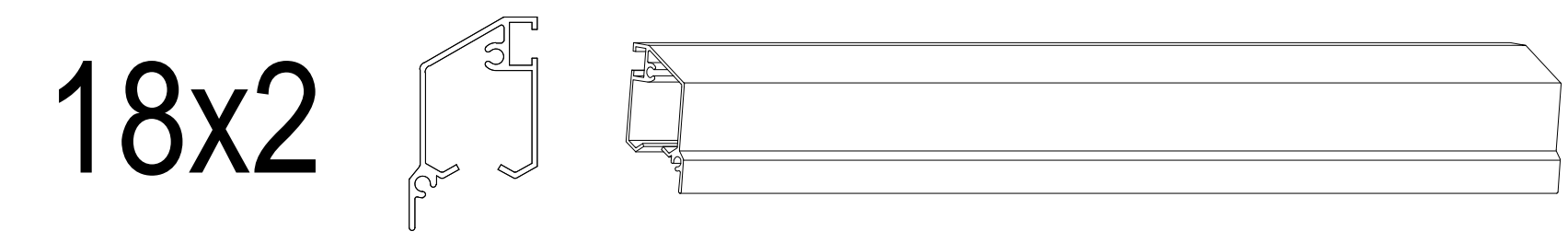




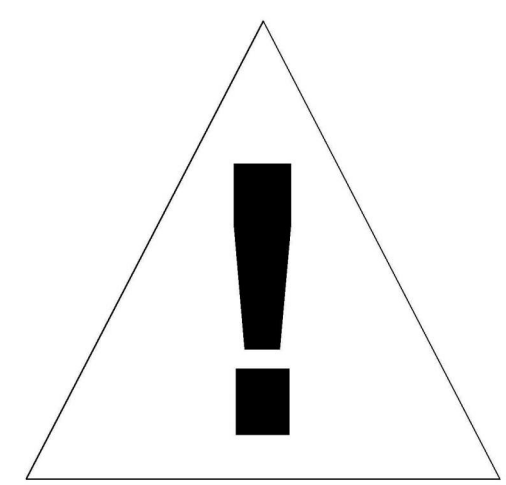
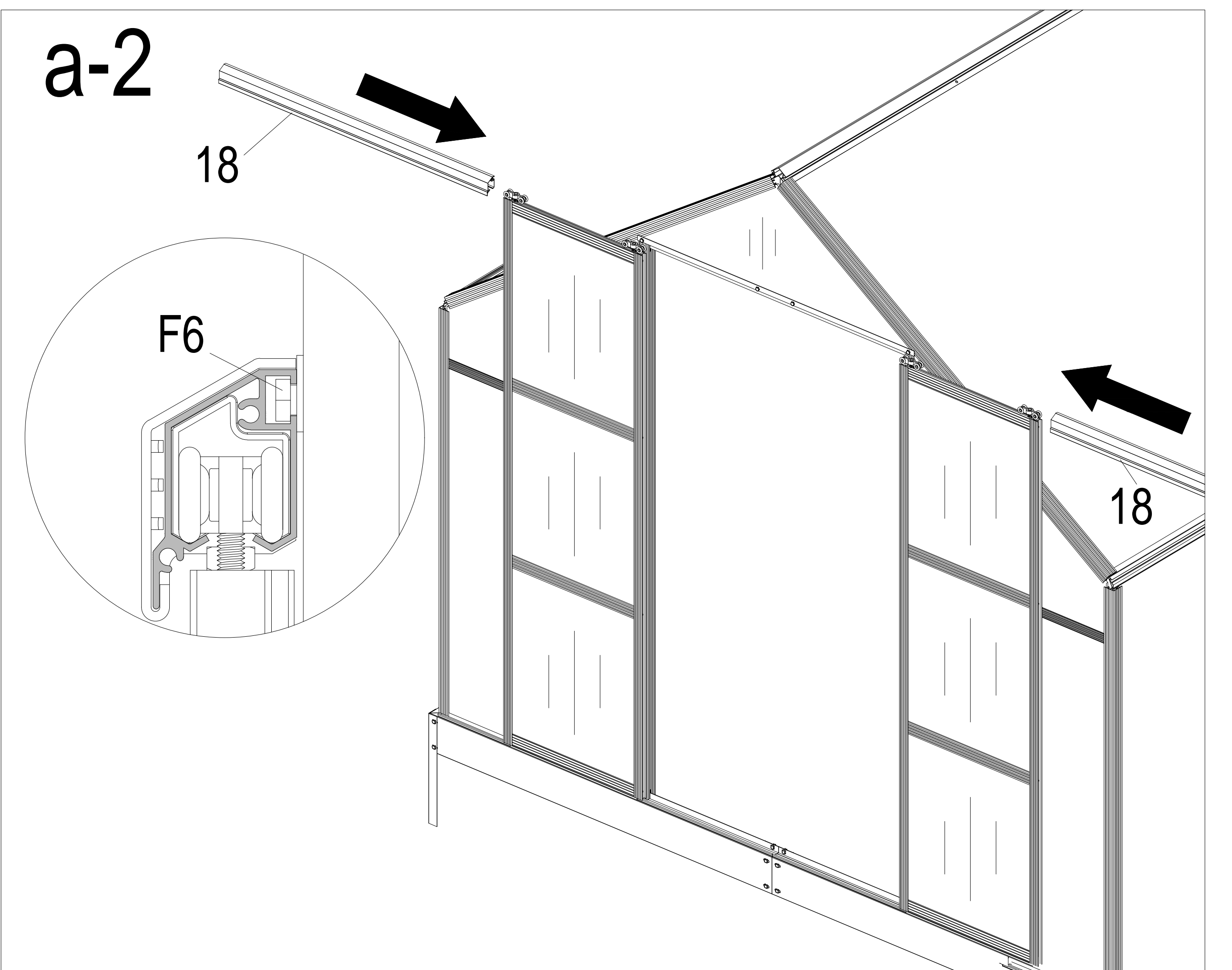
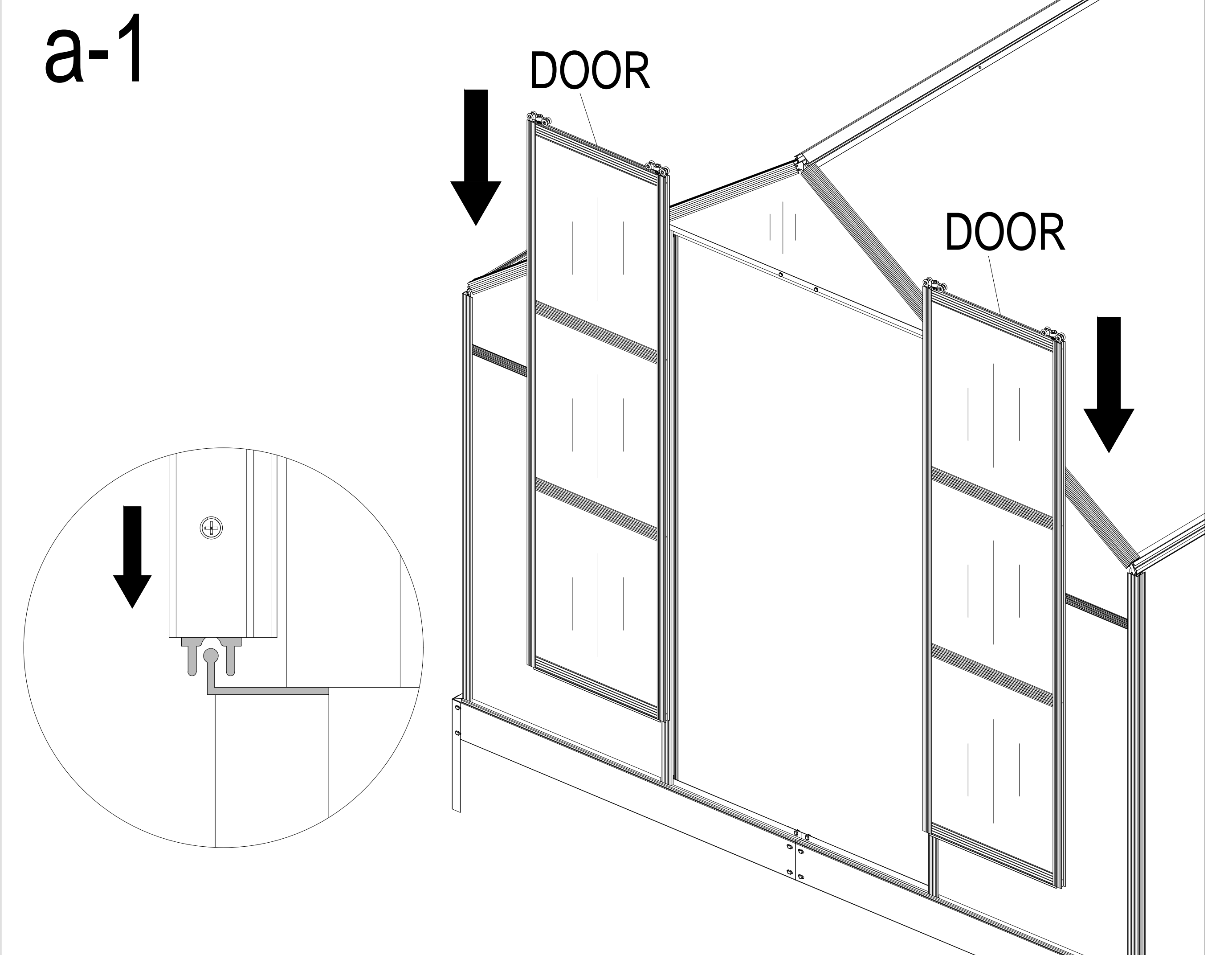
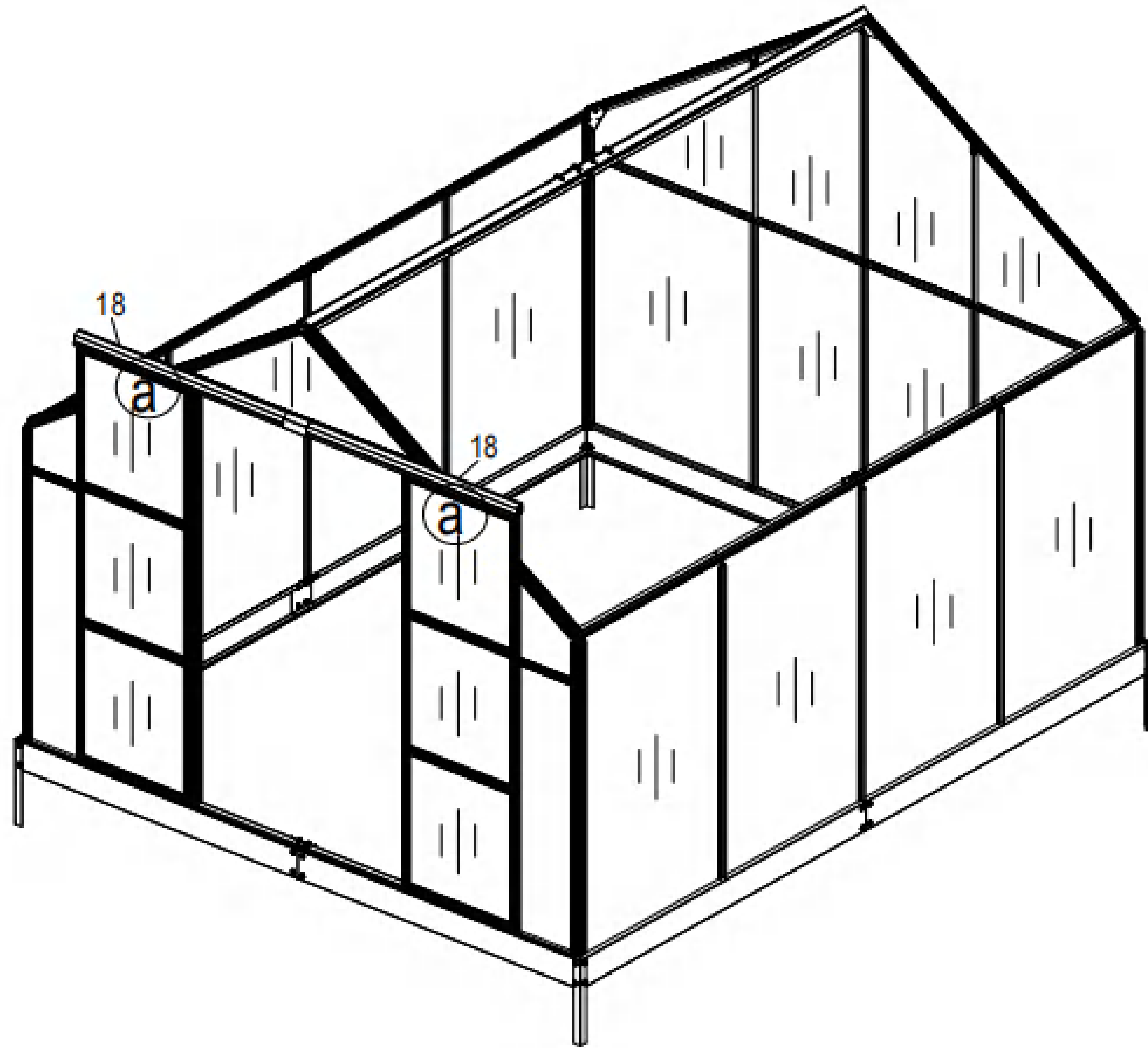
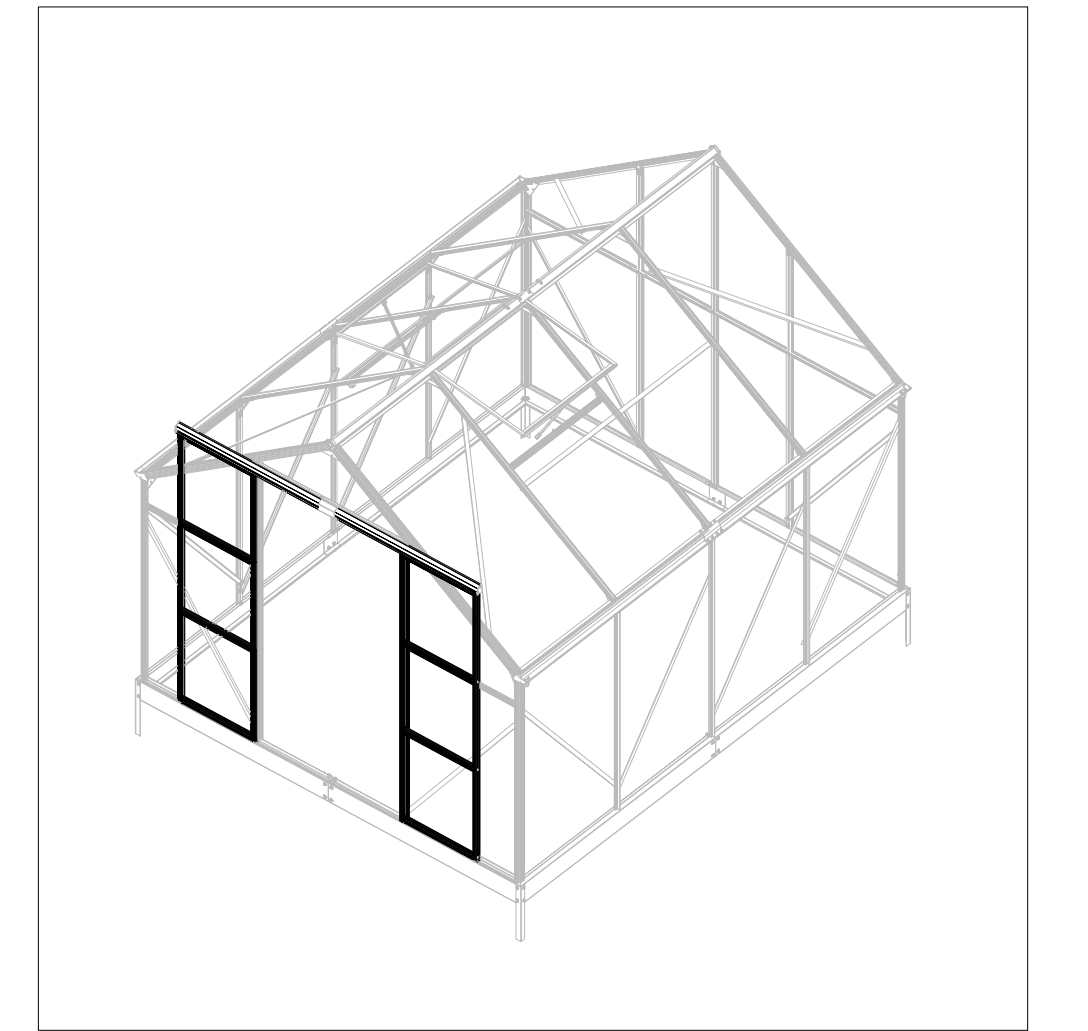
# Roof



# Roof

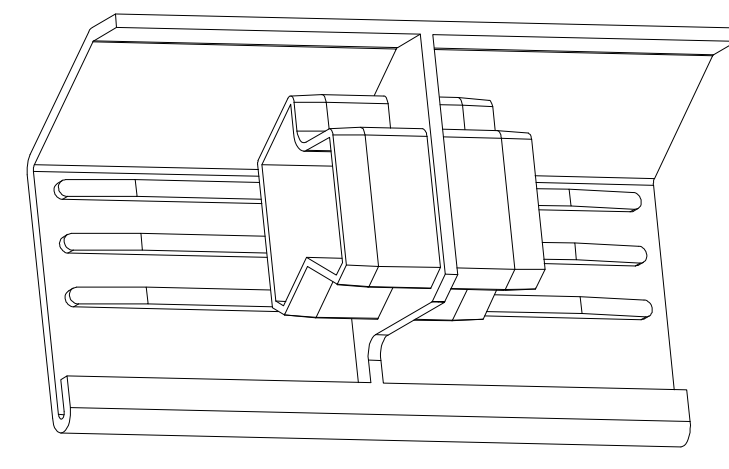


DOORx2

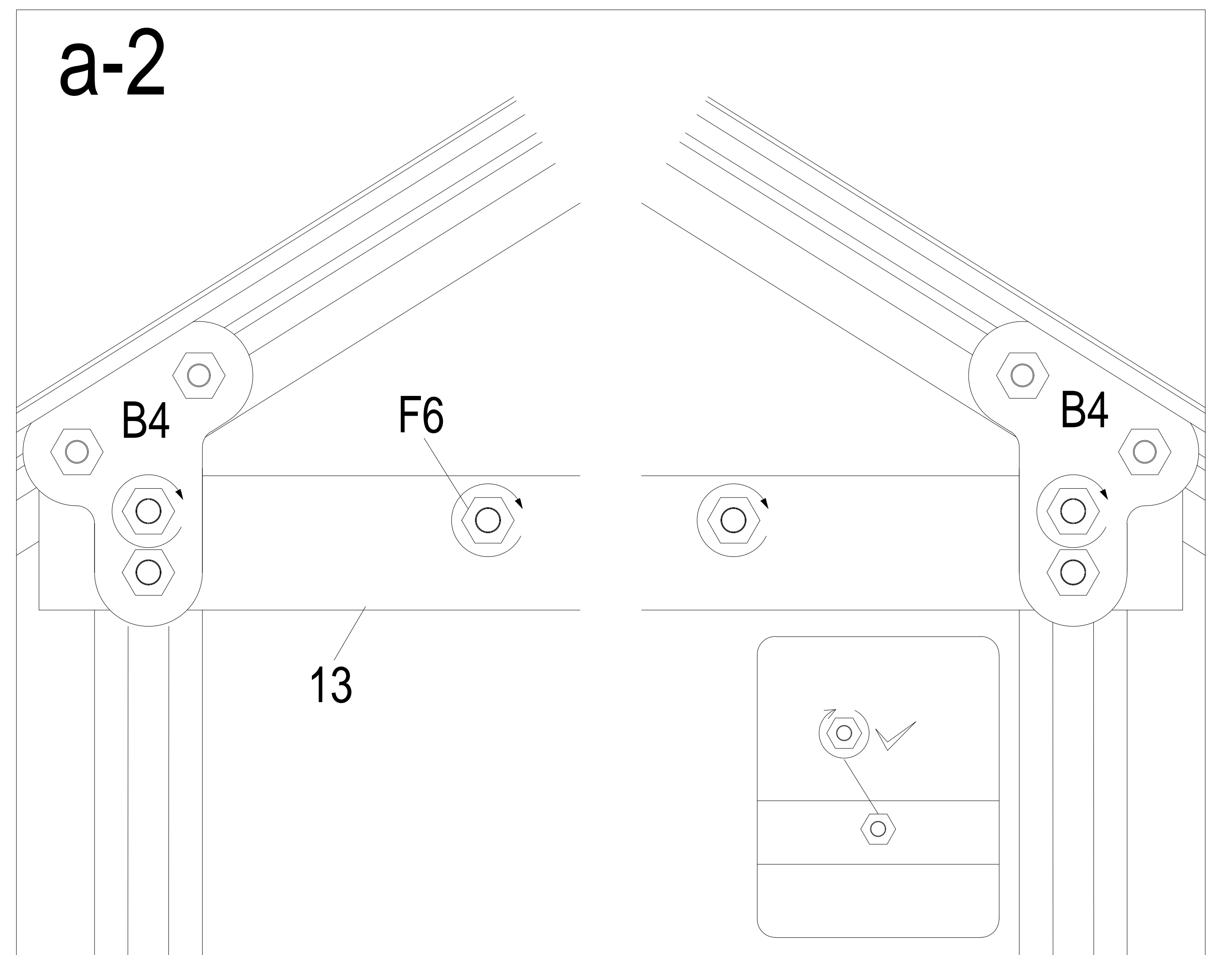
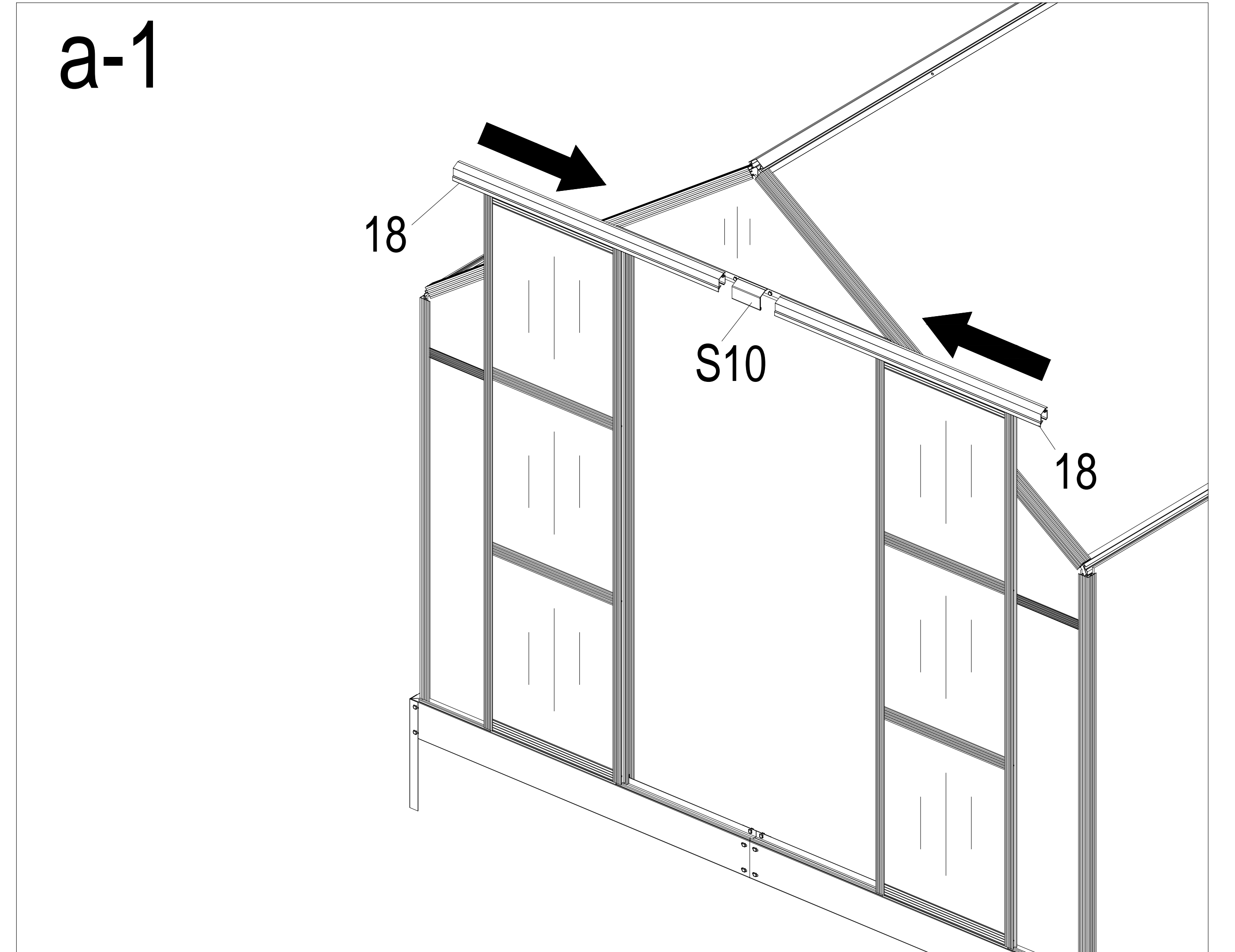
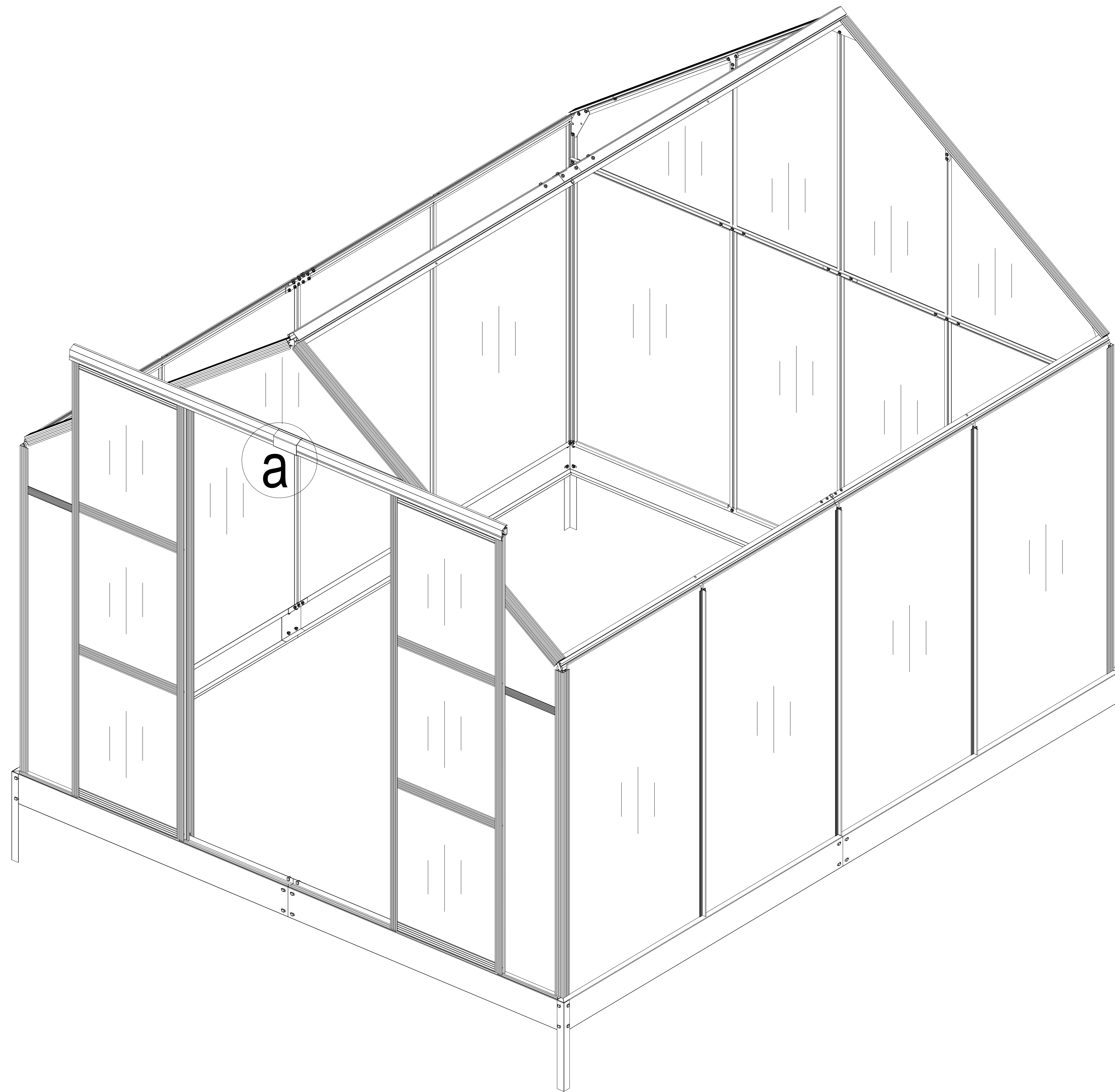
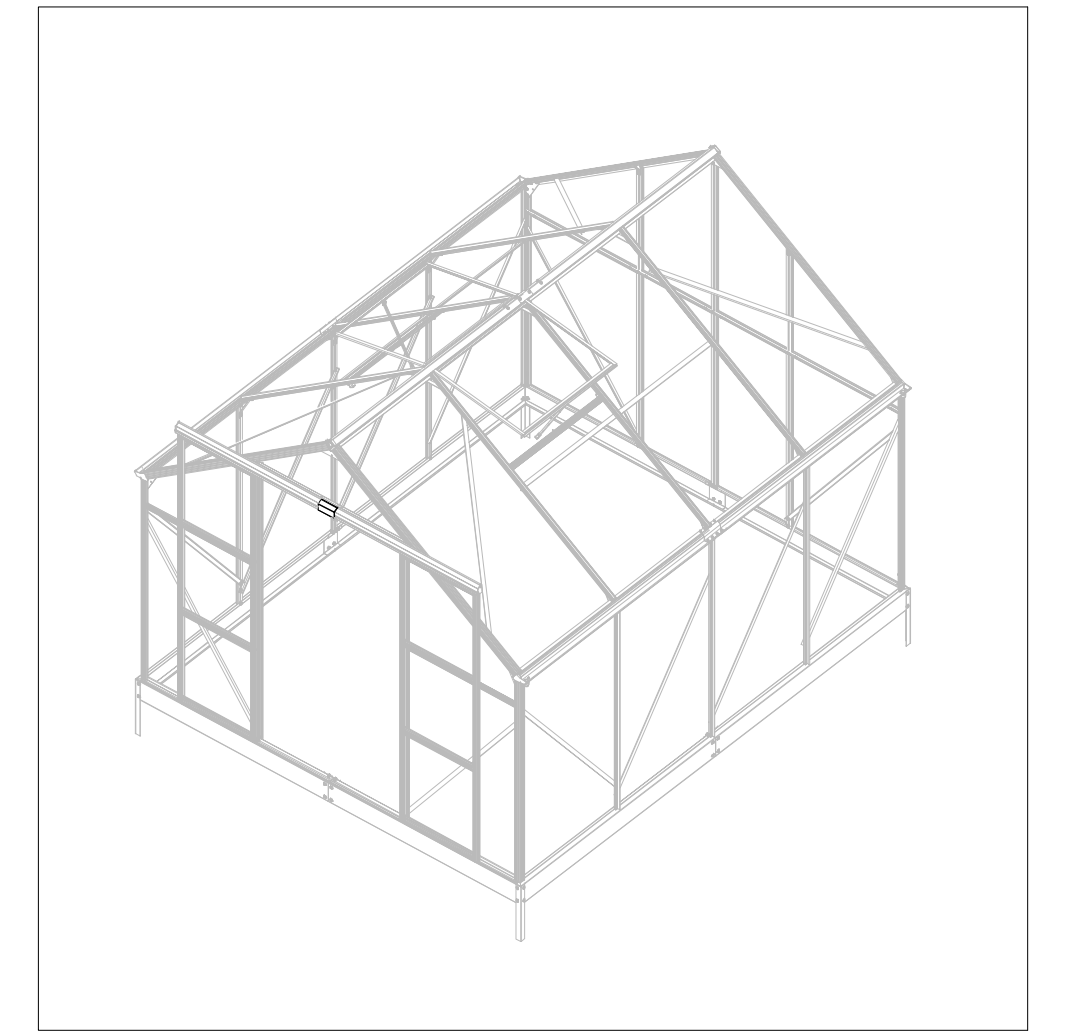


After passing through pulleys of the door, the 16 gauge profiles needs passed through the screws on the door frame.

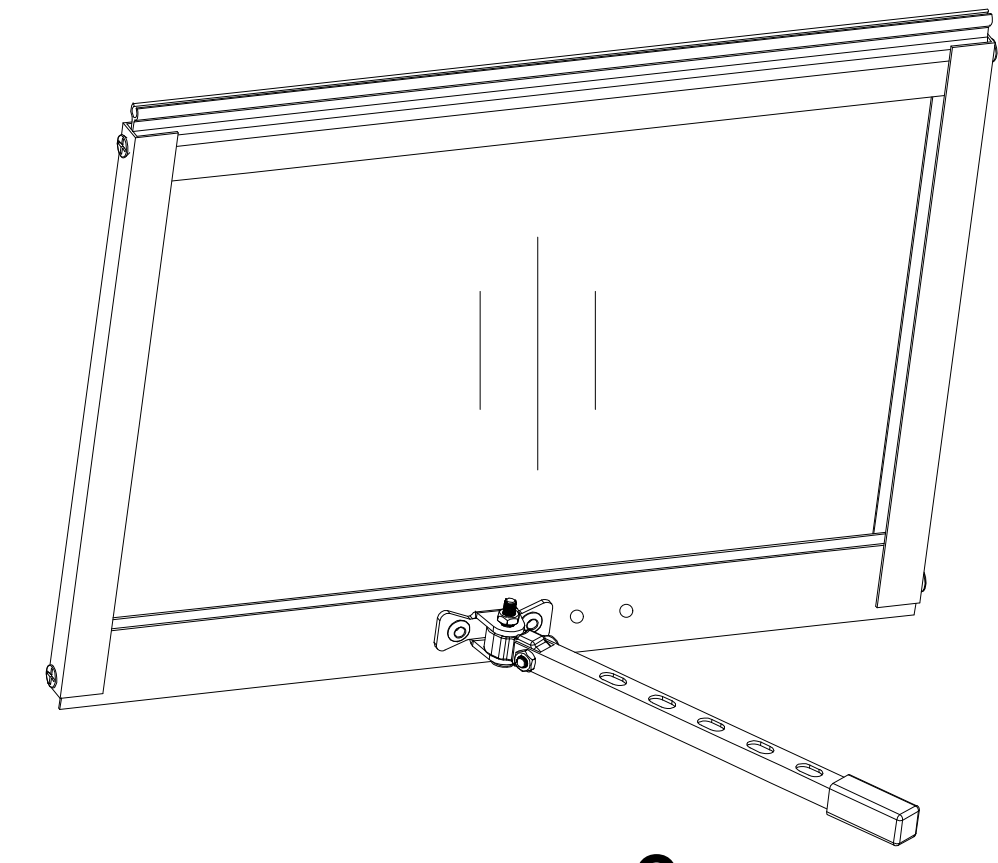




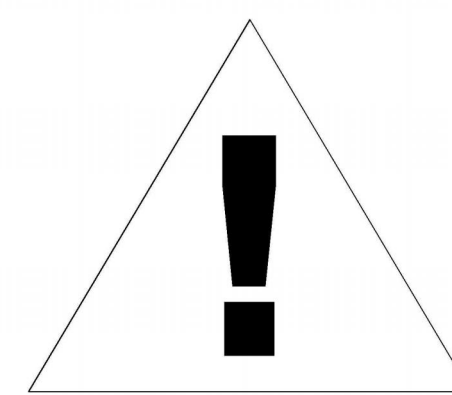
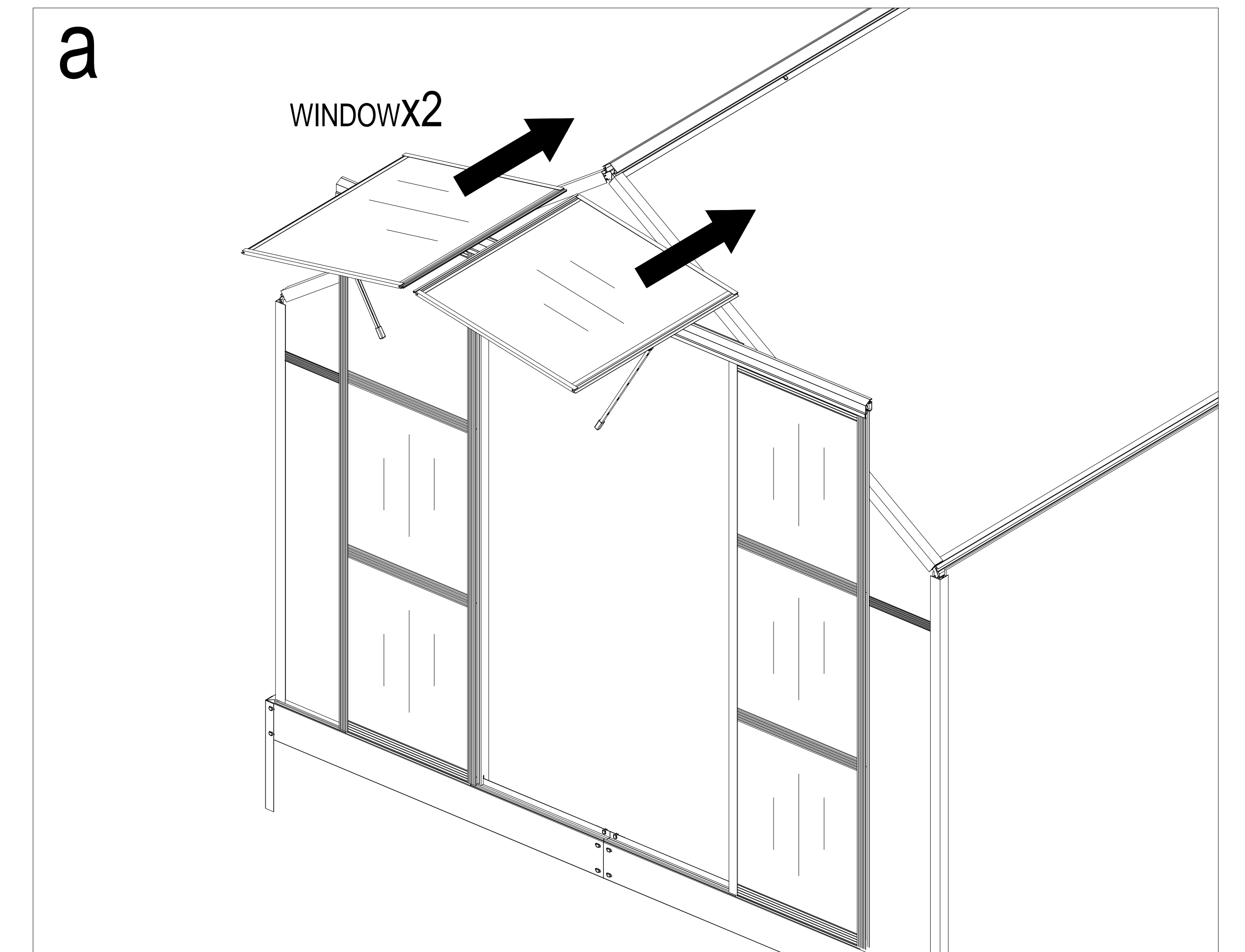
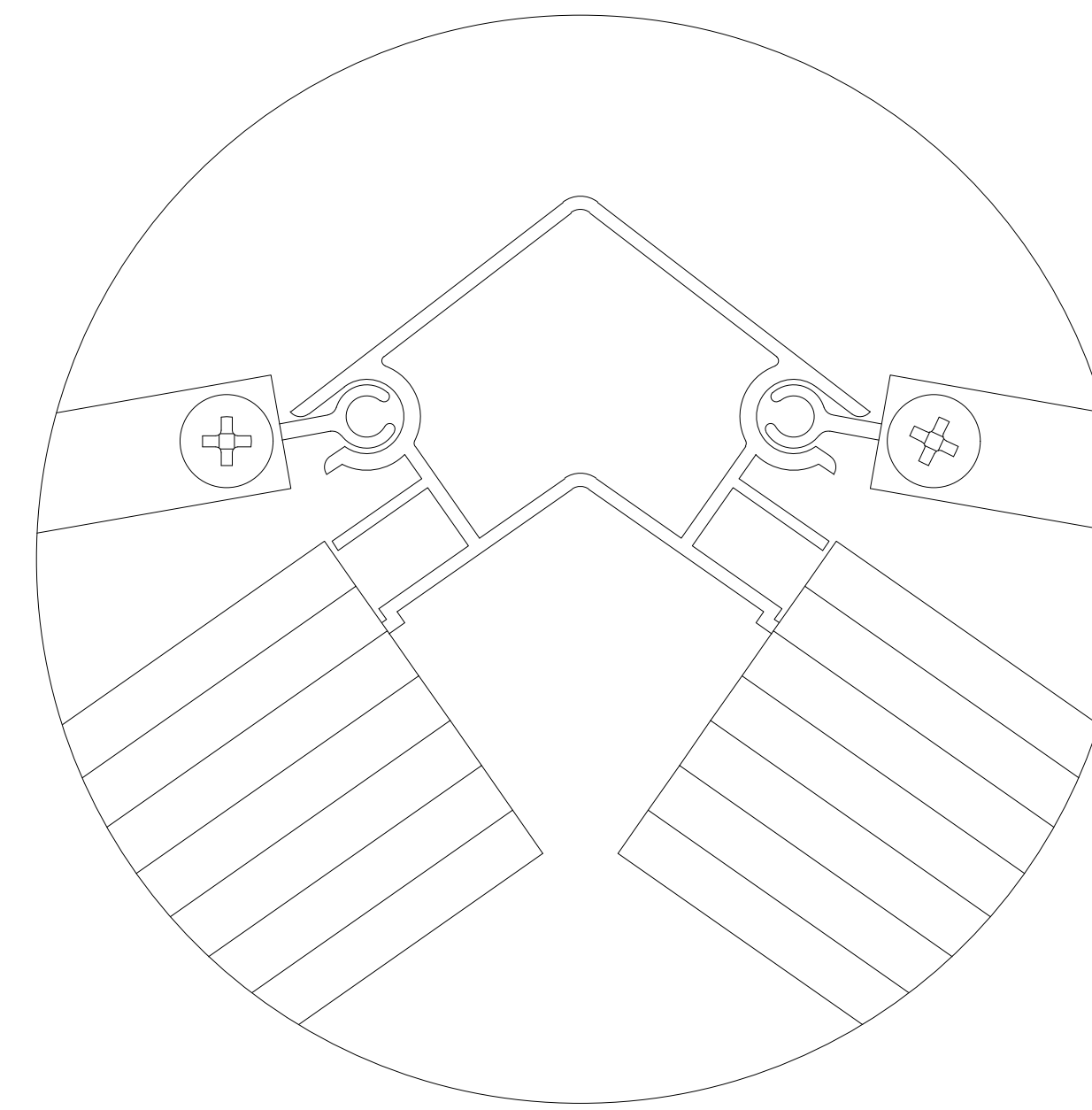
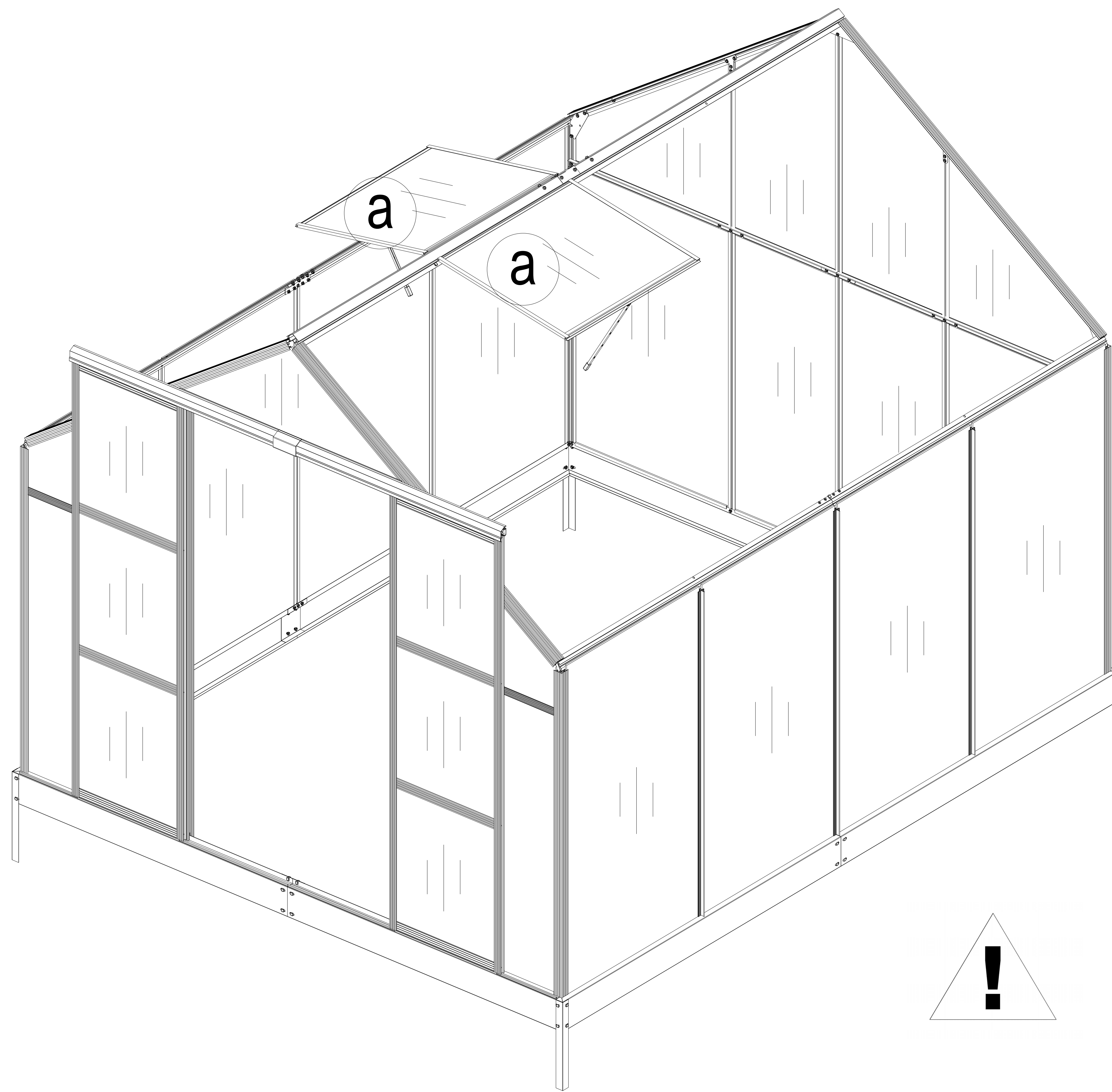
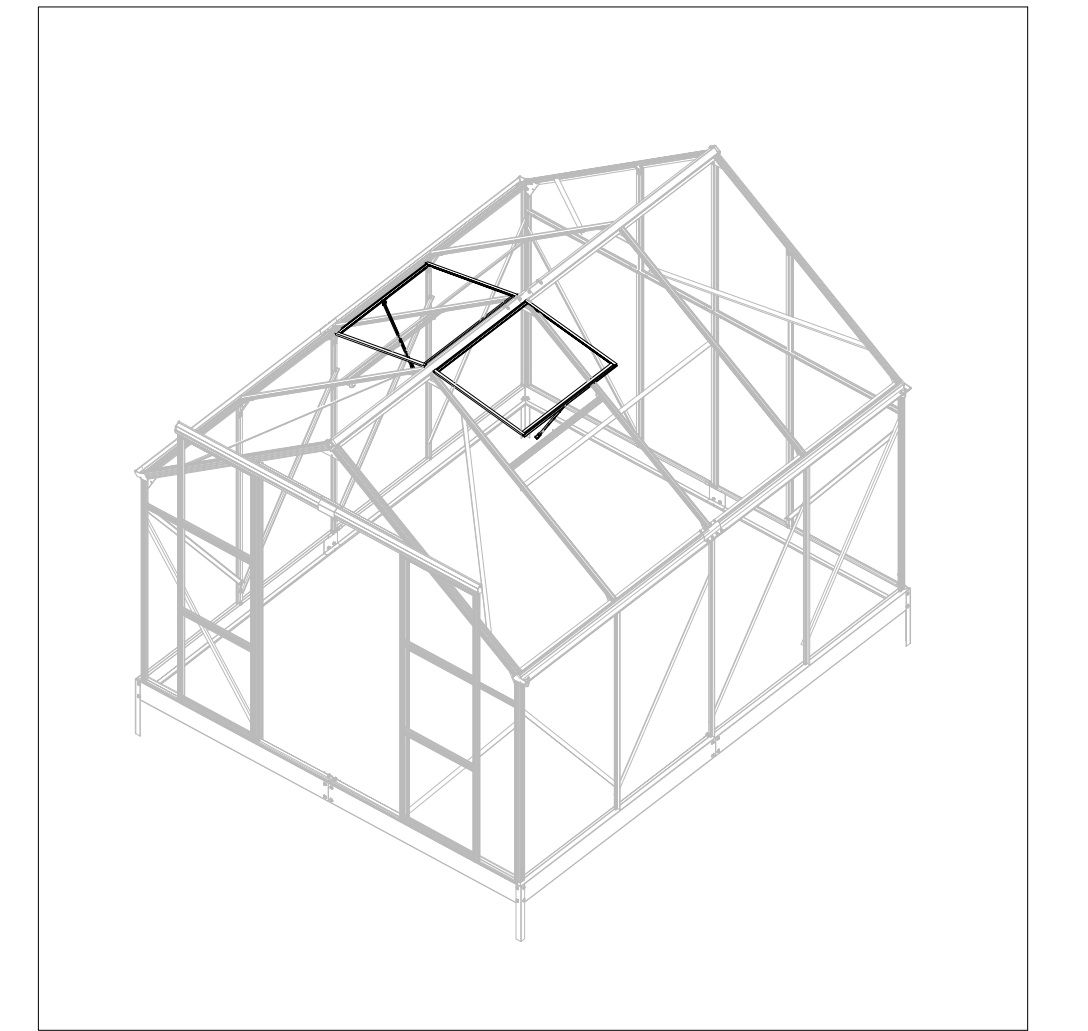
S10x1



# Roof



WINDOWX2

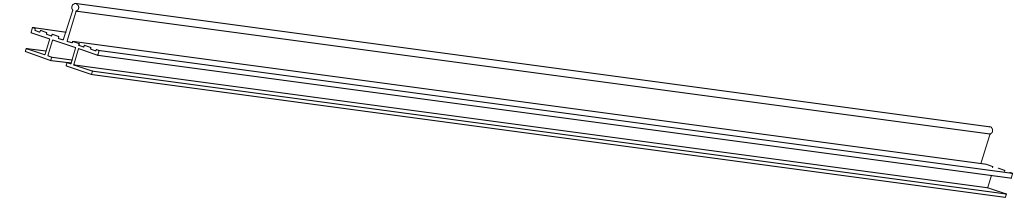
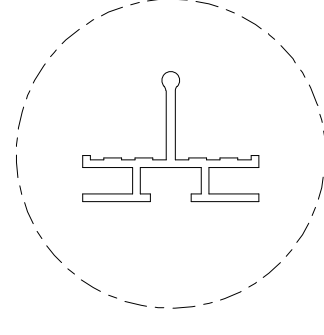
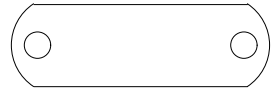
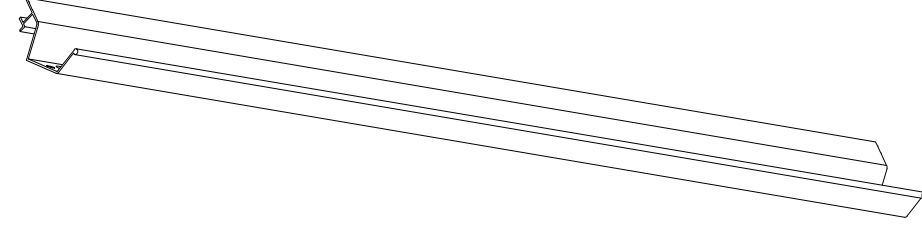
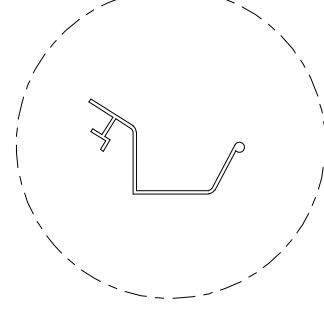
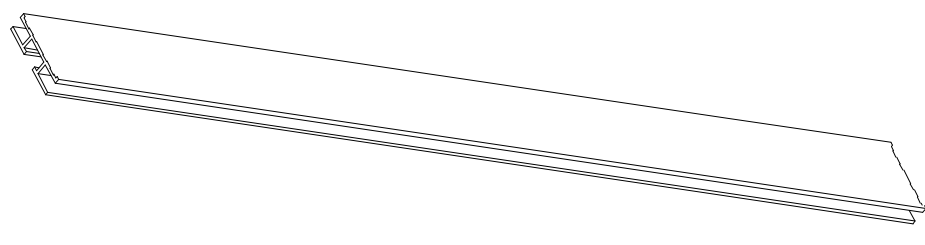
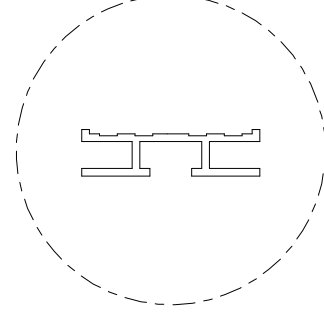
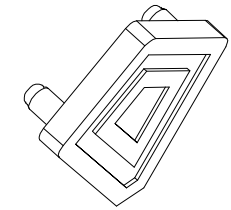
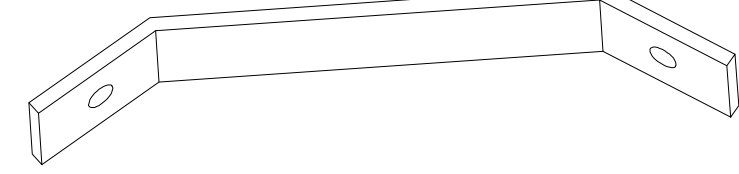
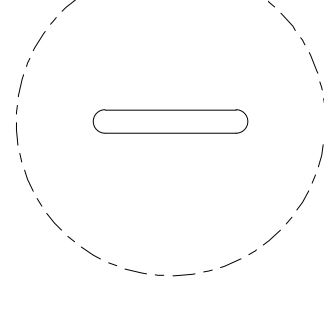
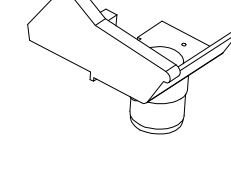

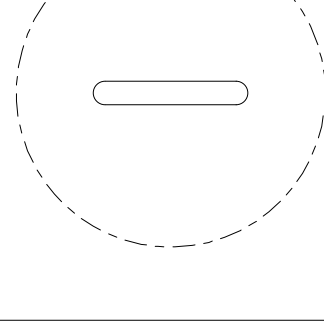
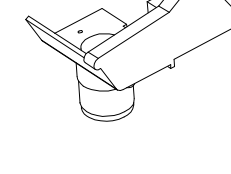
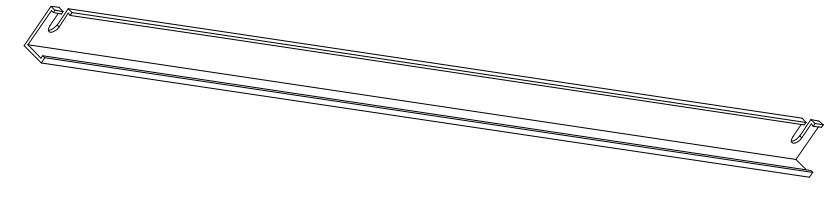
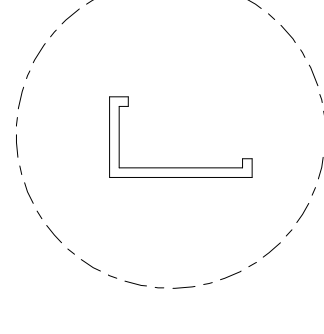
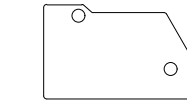
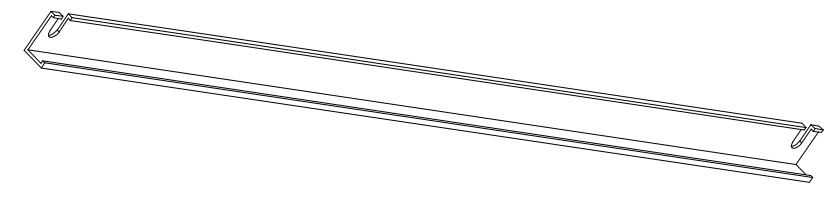
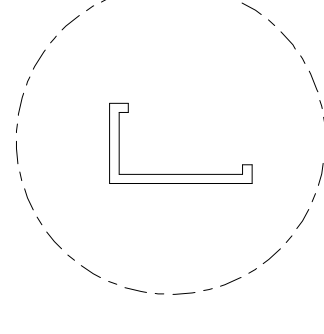
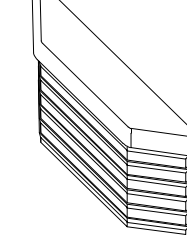
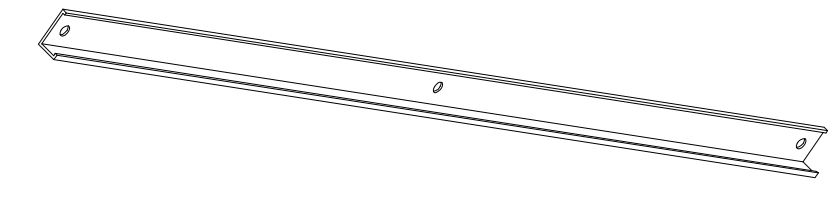
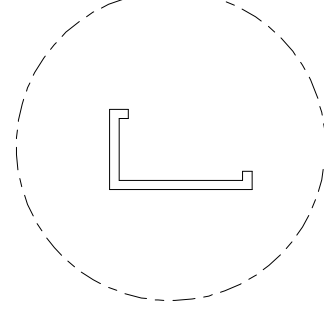
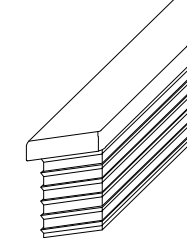
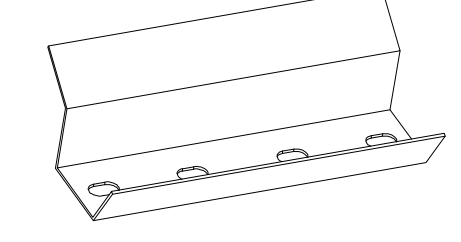
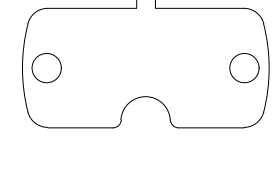
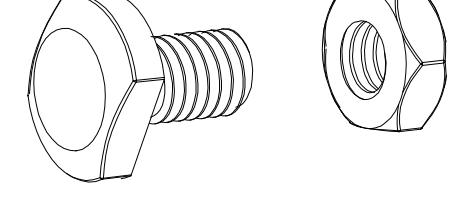
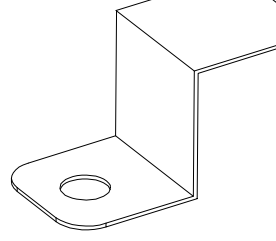
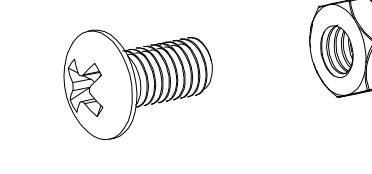
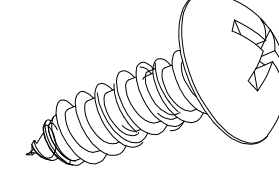


The window needs to confirm the position and be tastered in advance.





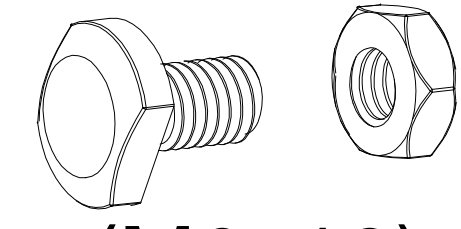
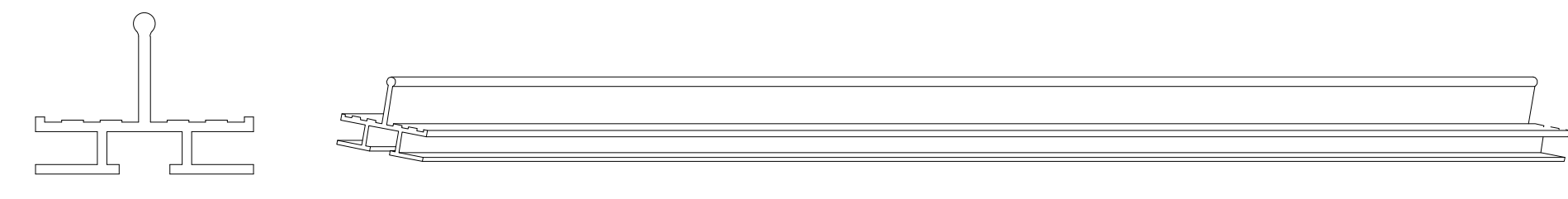
# Roof

Item		Qty		MM	Item		Qty		MM
20		6 PCS		1413	B3		4 PCS		
25		4 PCS		1431					
21		2 PCS		685	S5		2 PCS		
T2		3 PCS		250	S6L		2 PCS		
T1		6 PCS		180	S6R		2 PCS		
23		8 PCS		1200	S7		2 PCS		
22		8 PCS		1300	S4L		1 PCS		
24		2 PCS		1450	S4R		1 PCS		
B12		2 PCS							
B7		2 PCS			F4		34 PCS		M6x12
B11		2 PCS			F13		8 PCS		M5x10
					F5		12 PCS		ST4.2x8

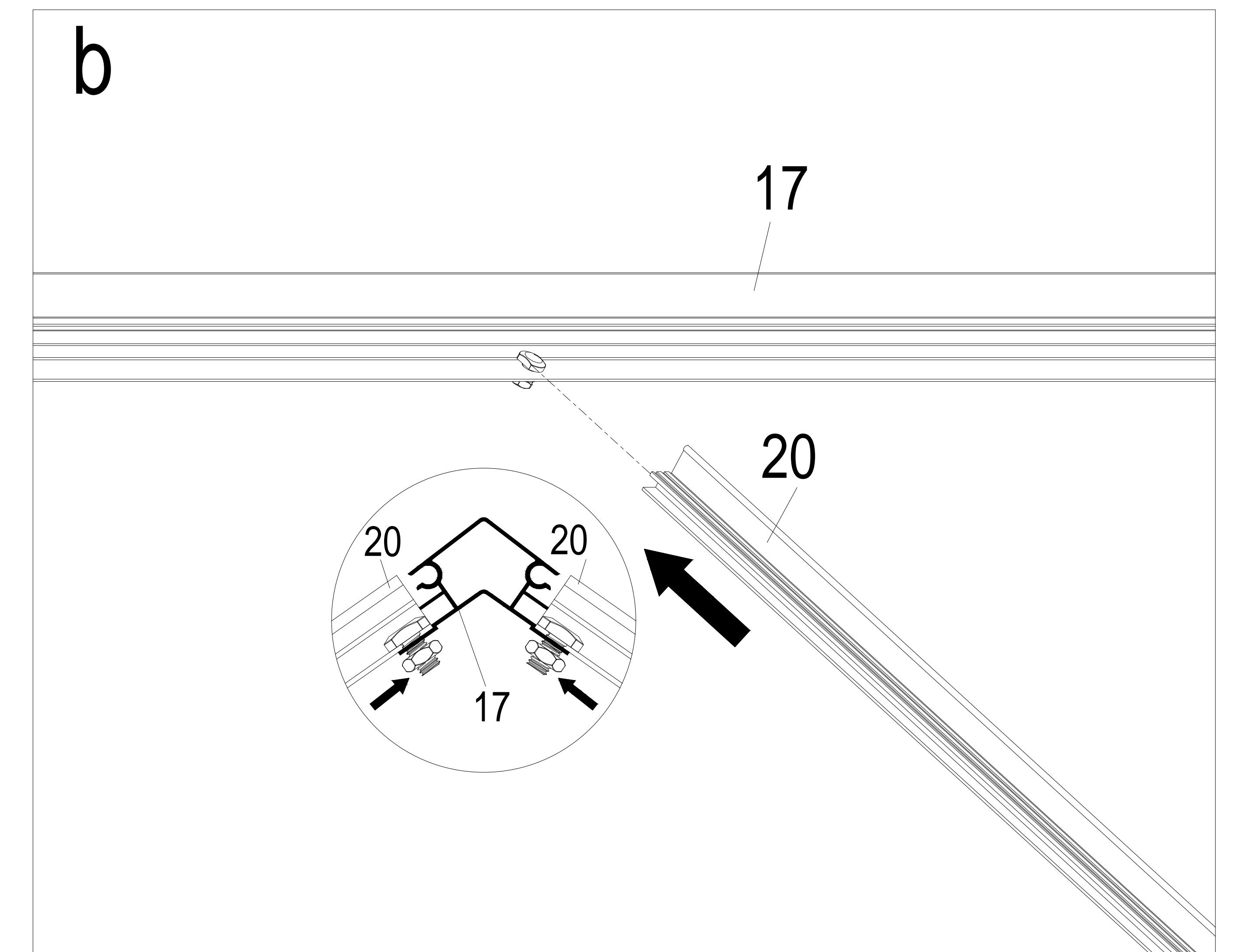
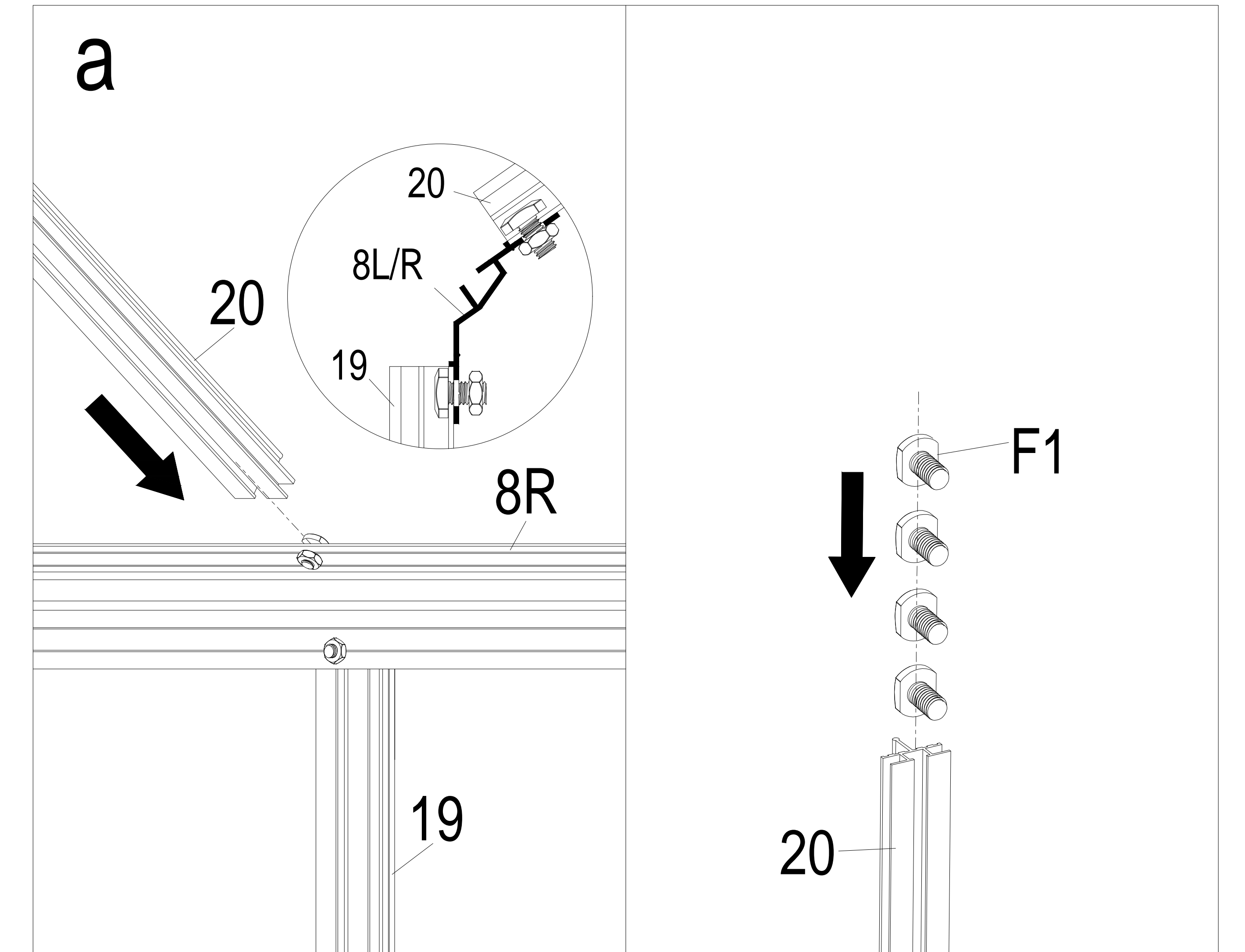
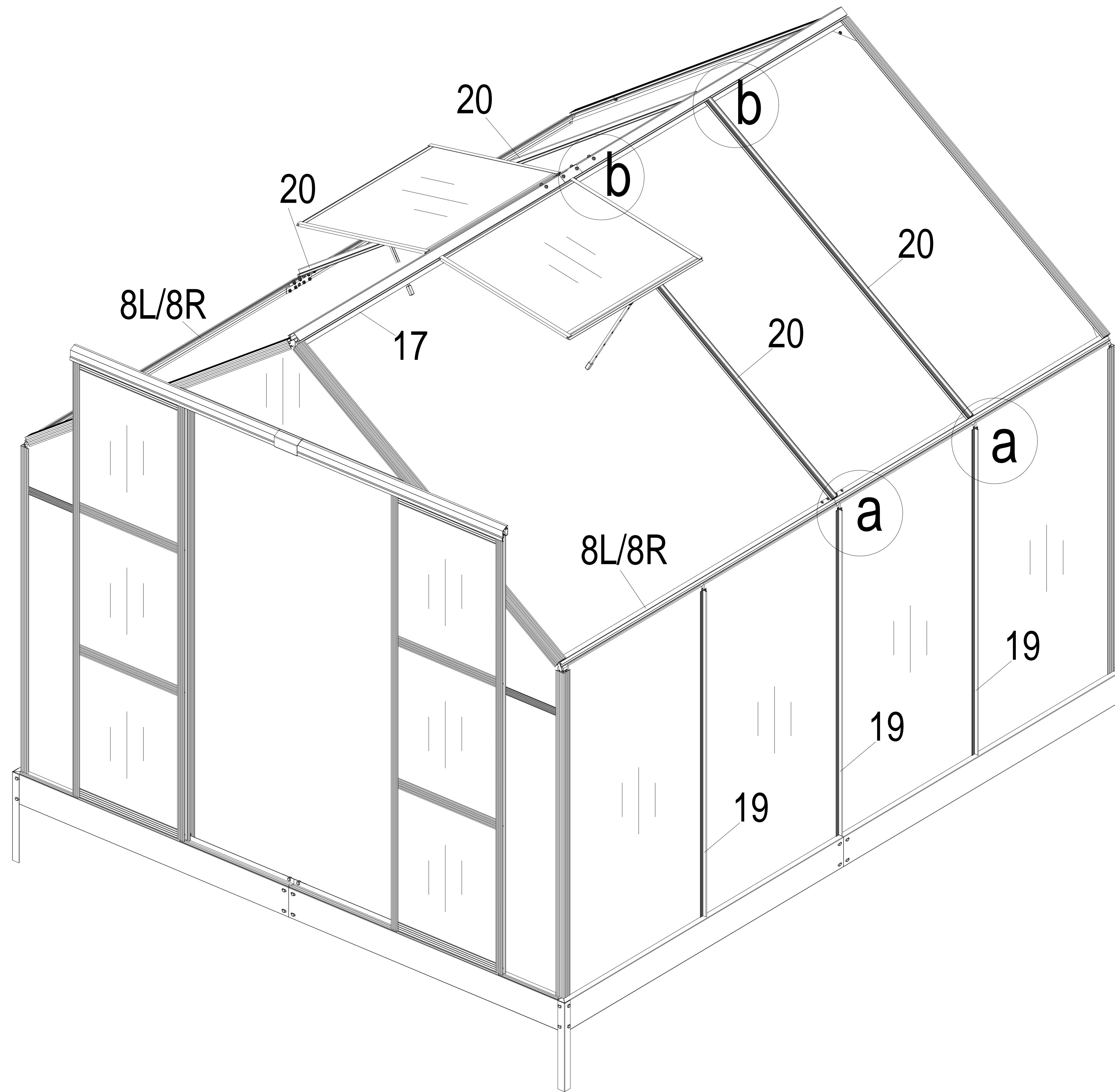
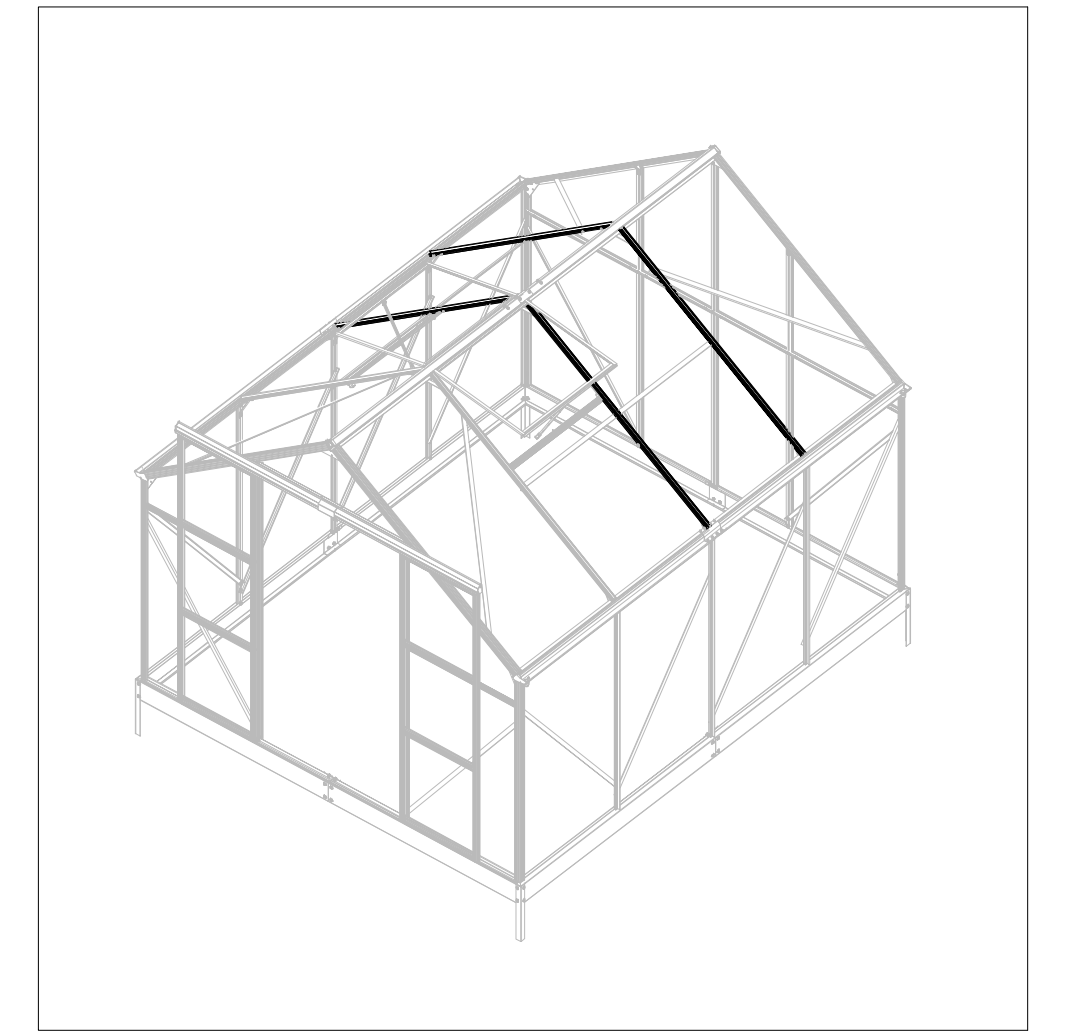


# Roof

20x4

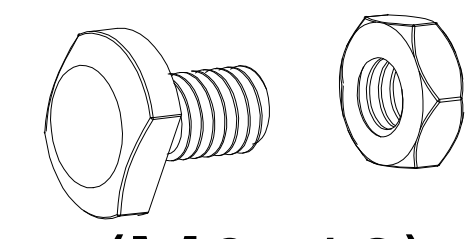
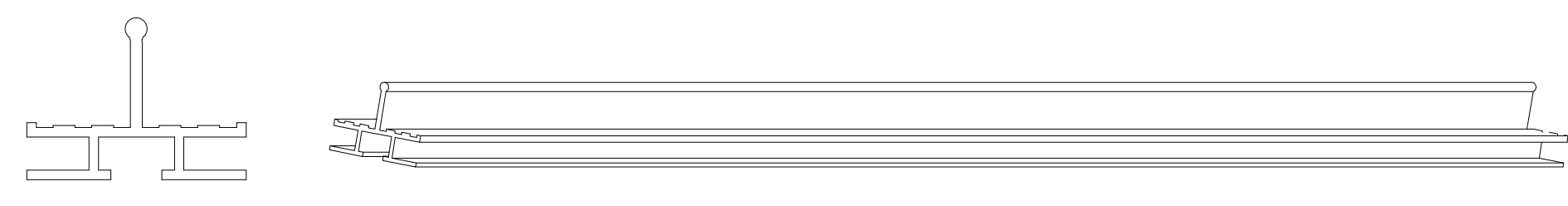


(M6x12)  
F4x16

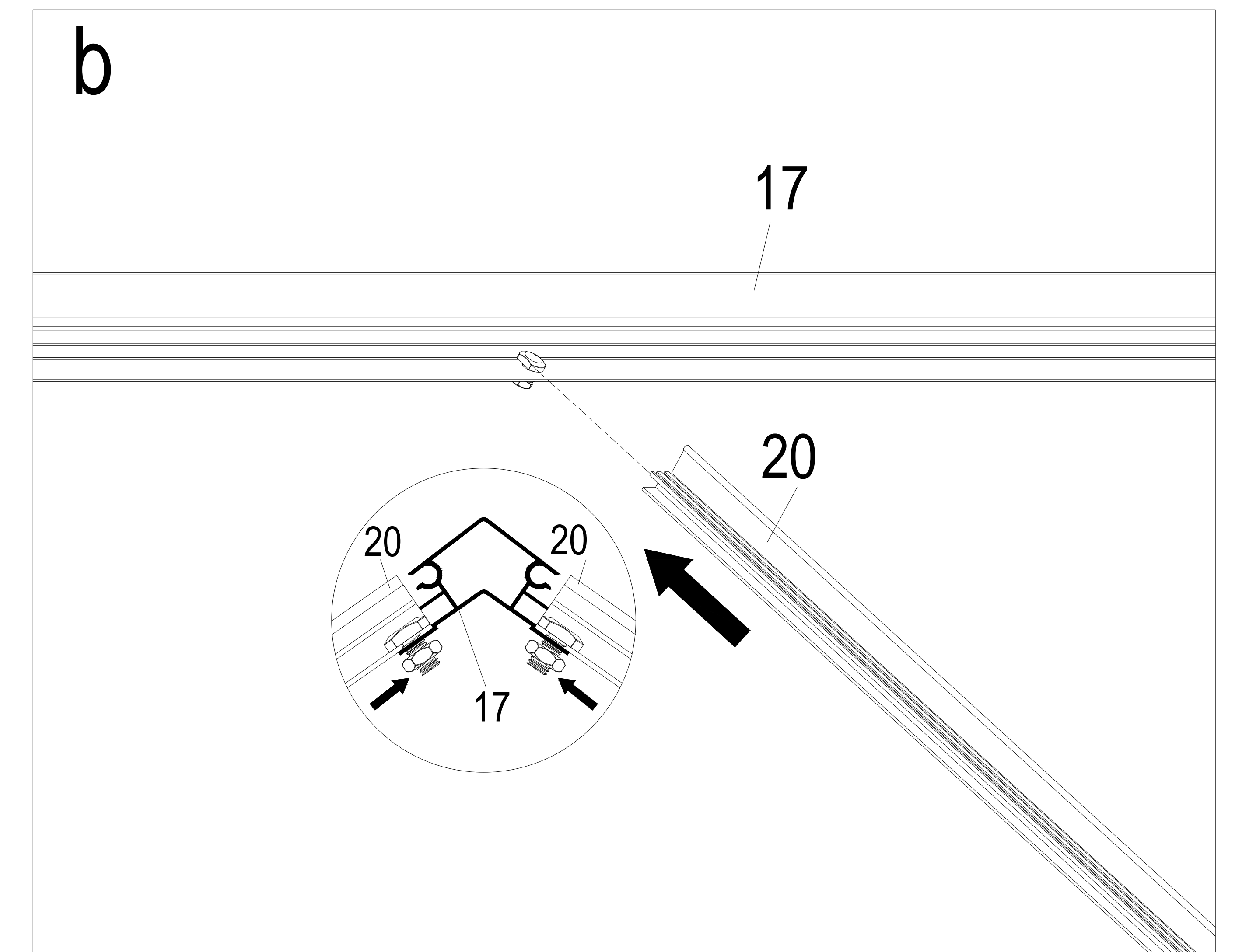
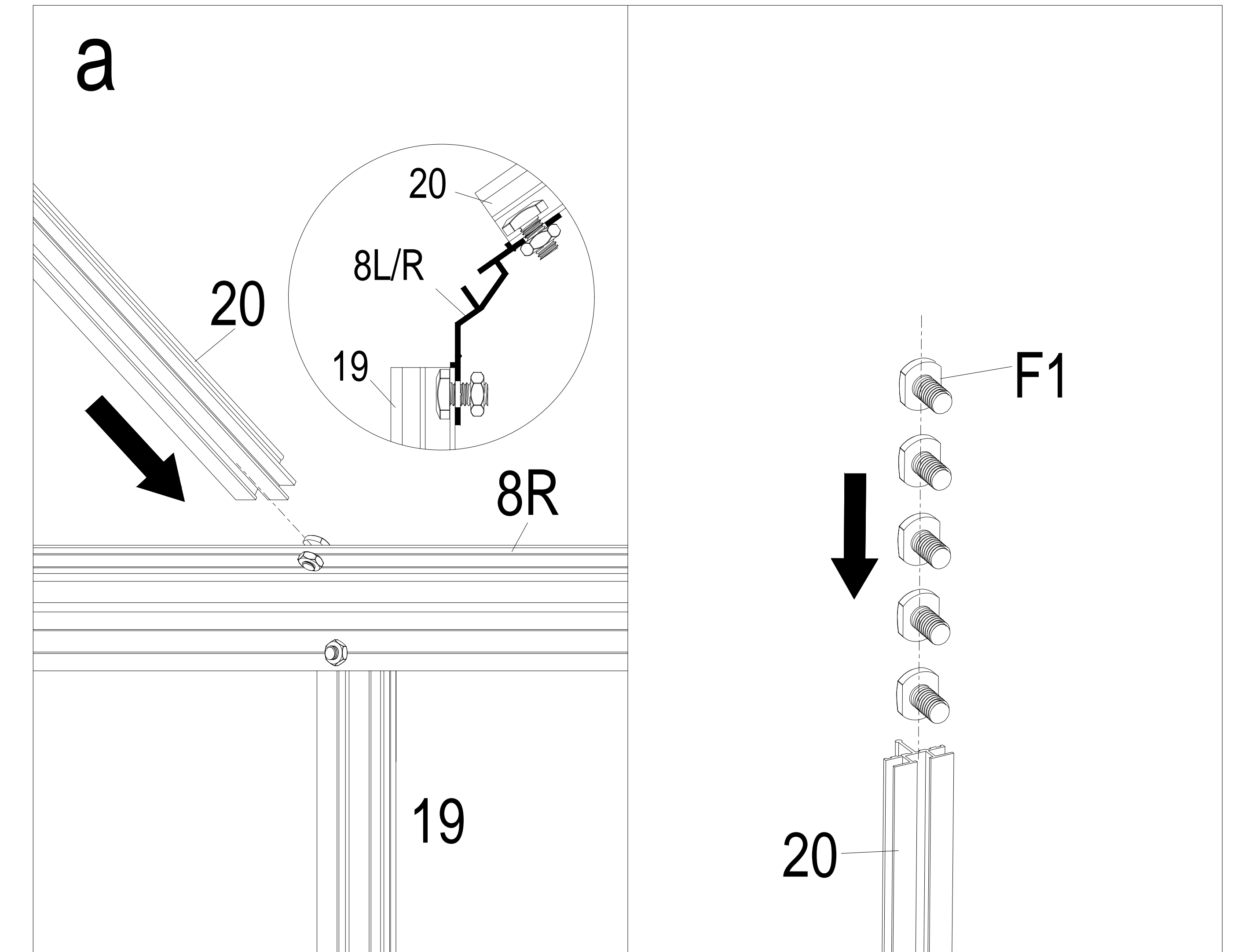
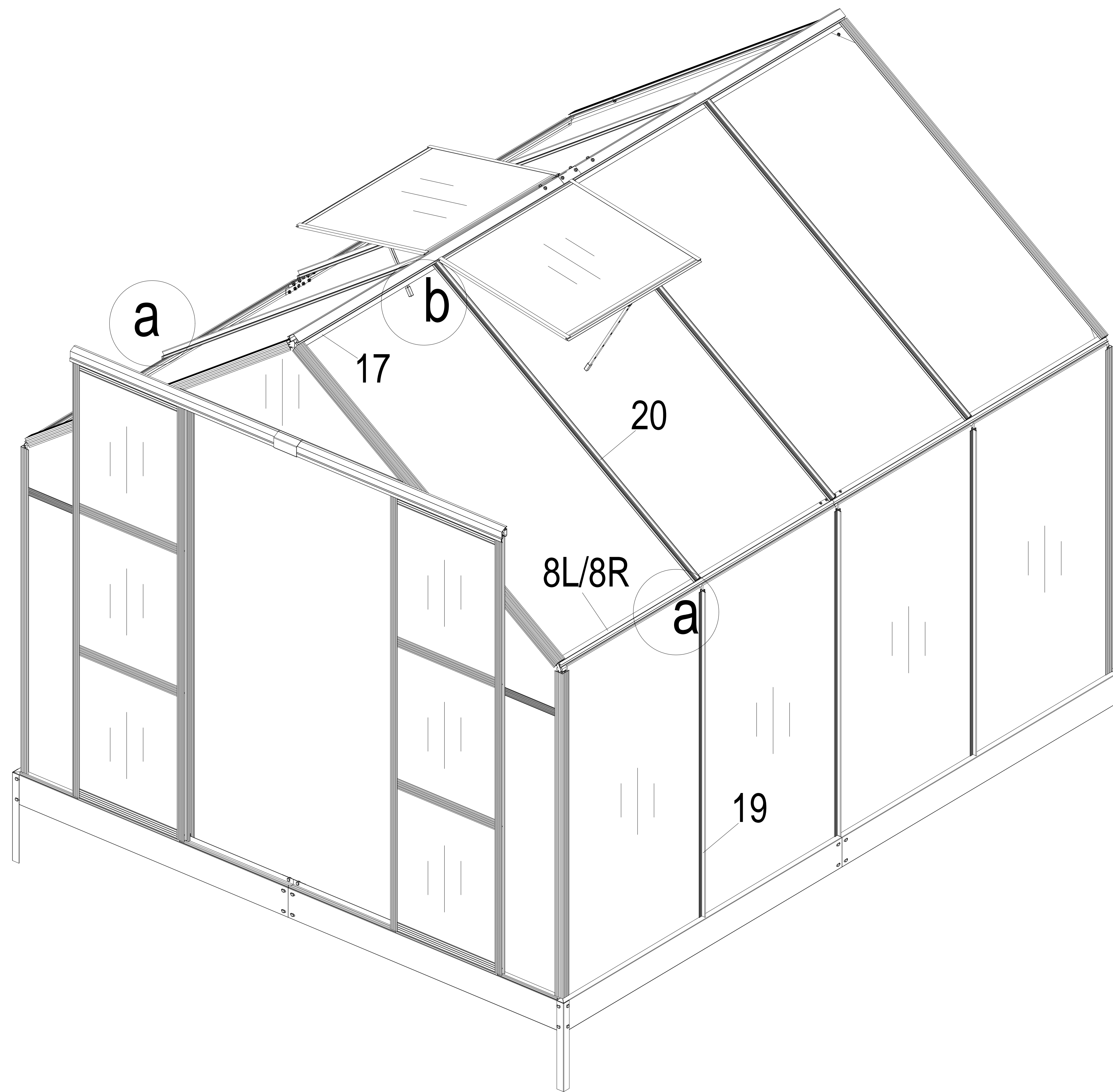
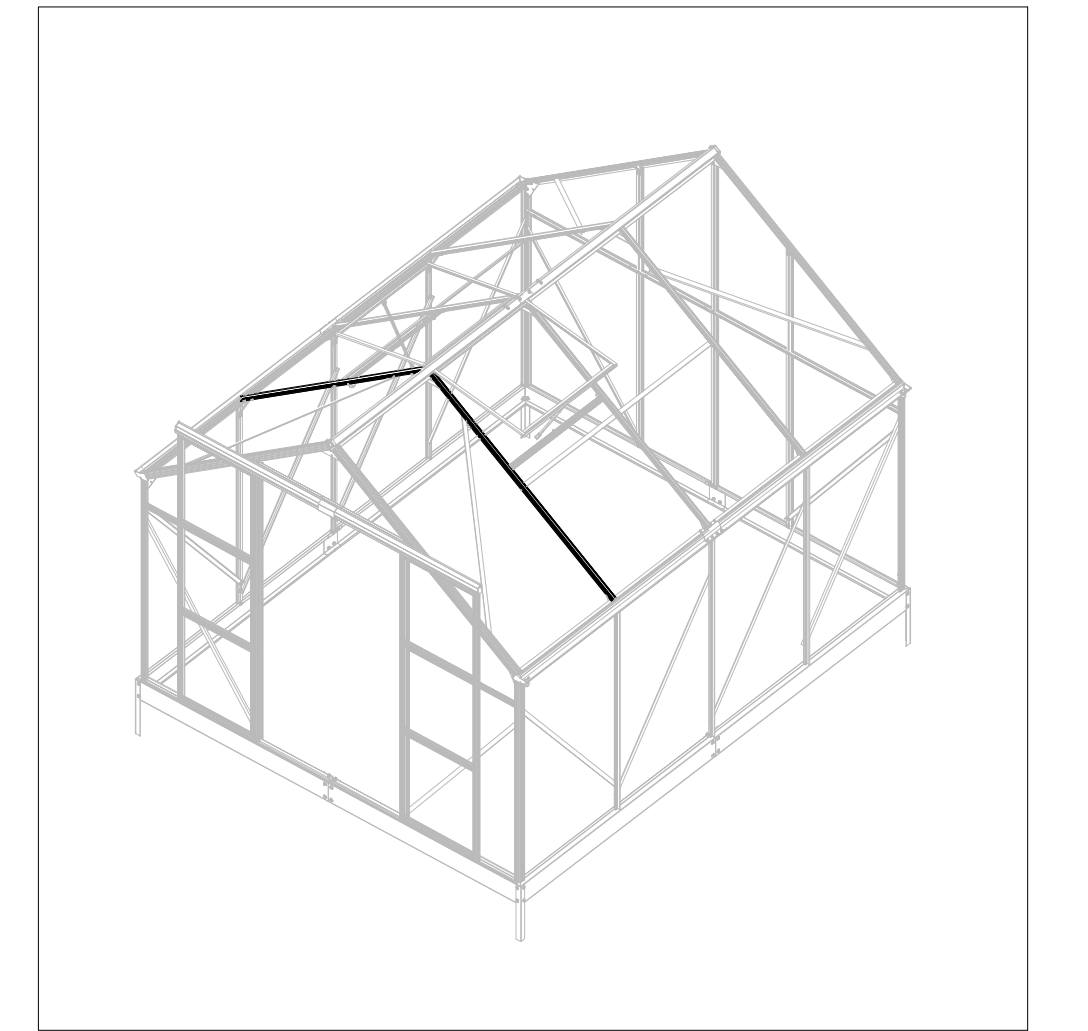


# Roof

20x2

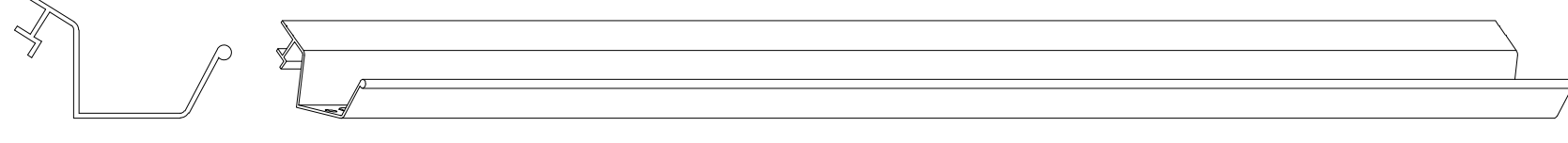


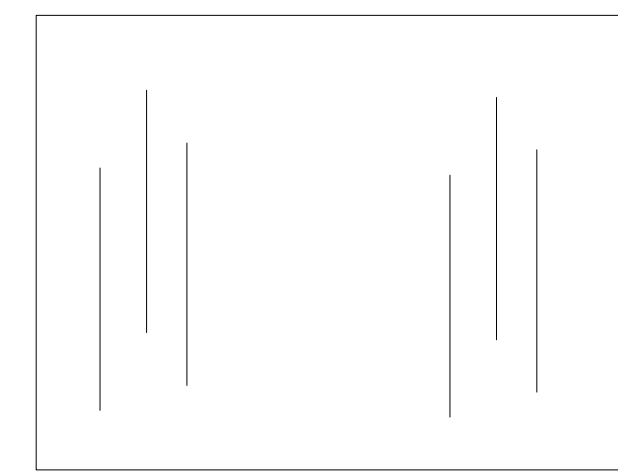
(M6x12)  
F4x10



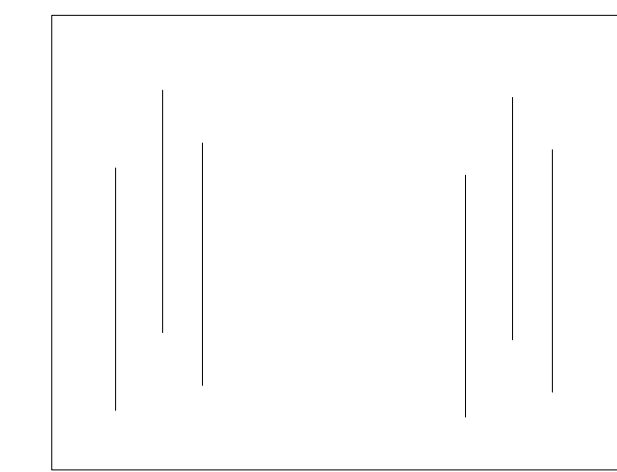


# Roof

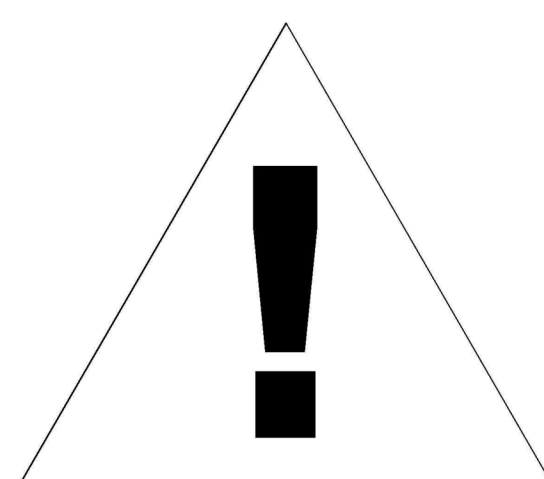
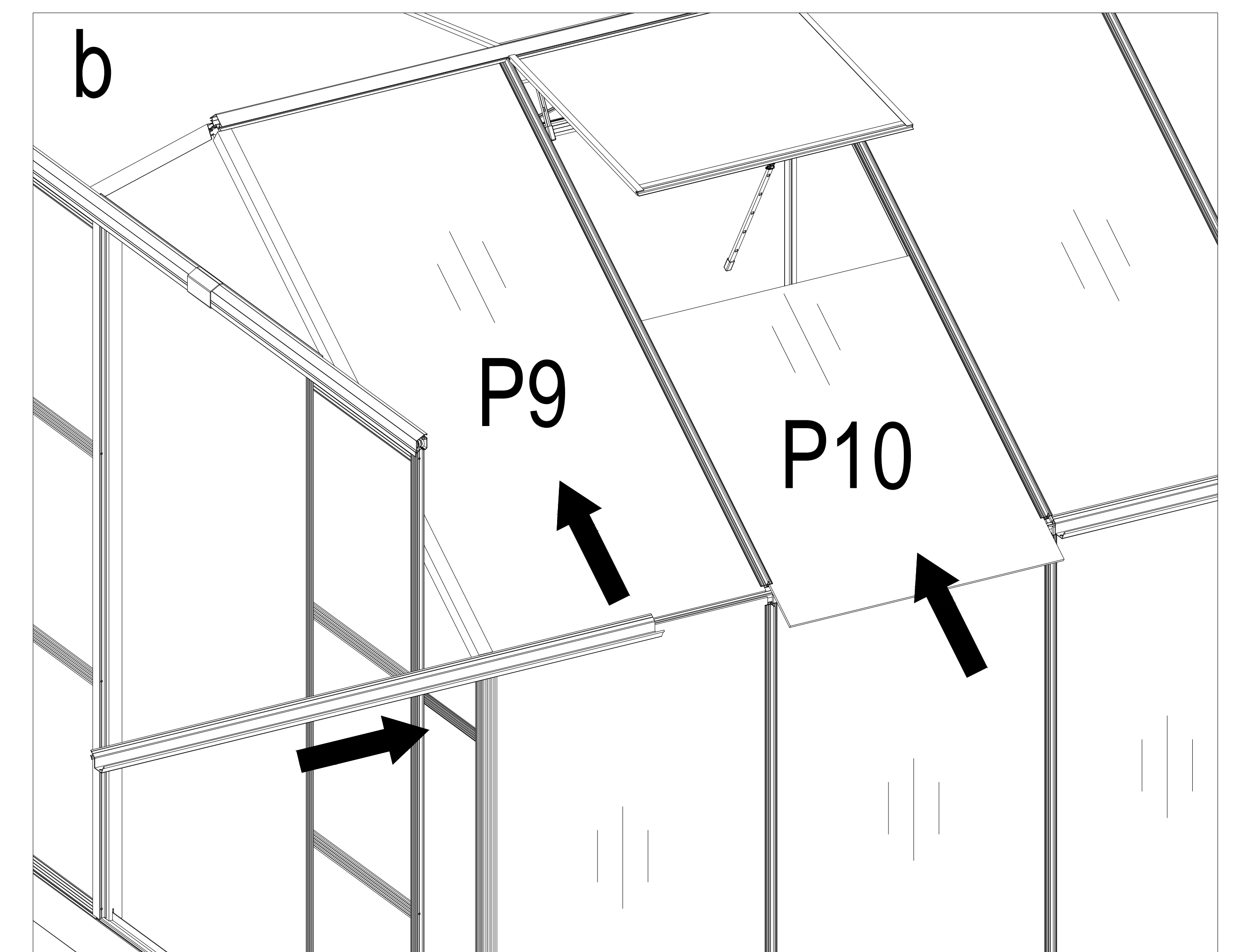
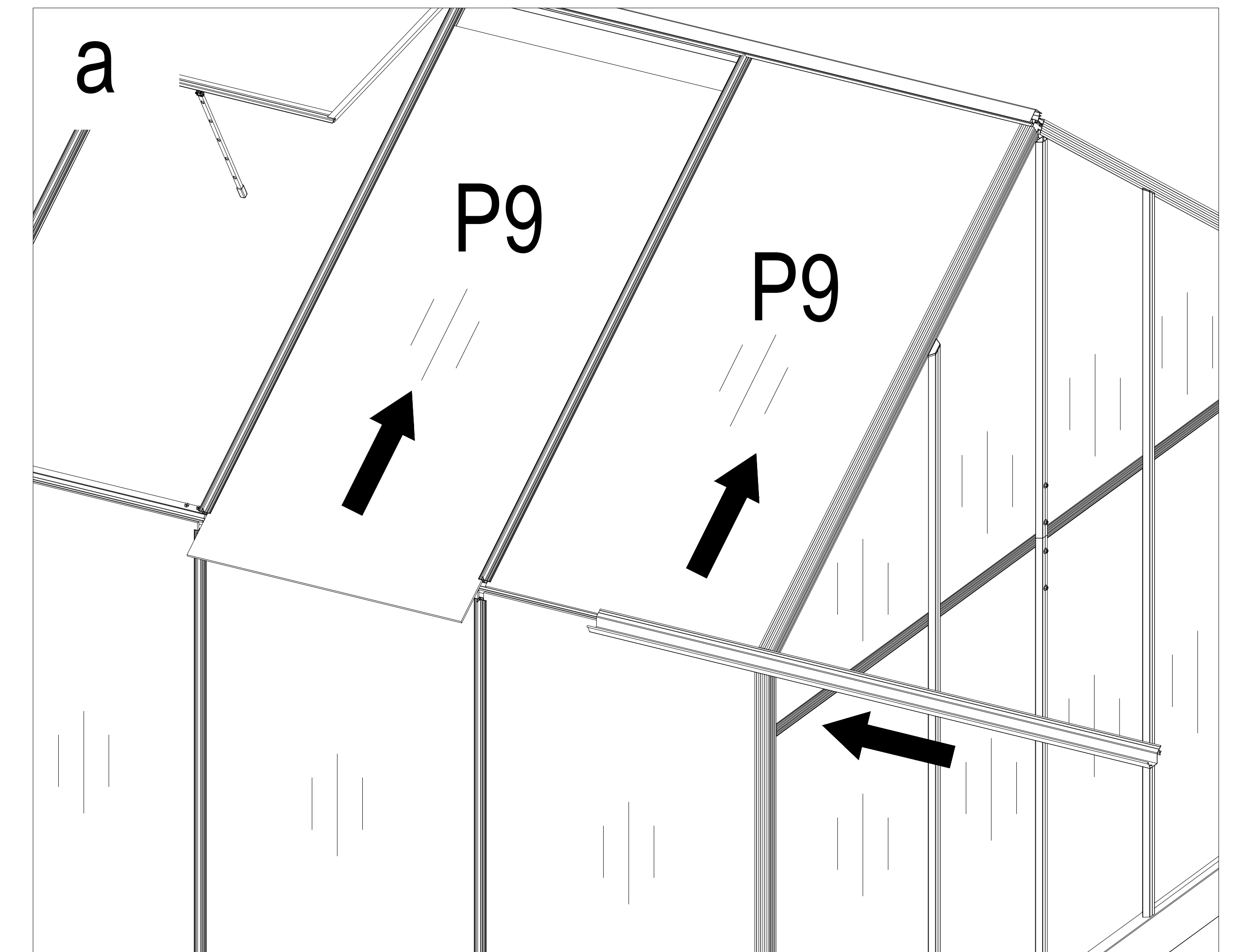
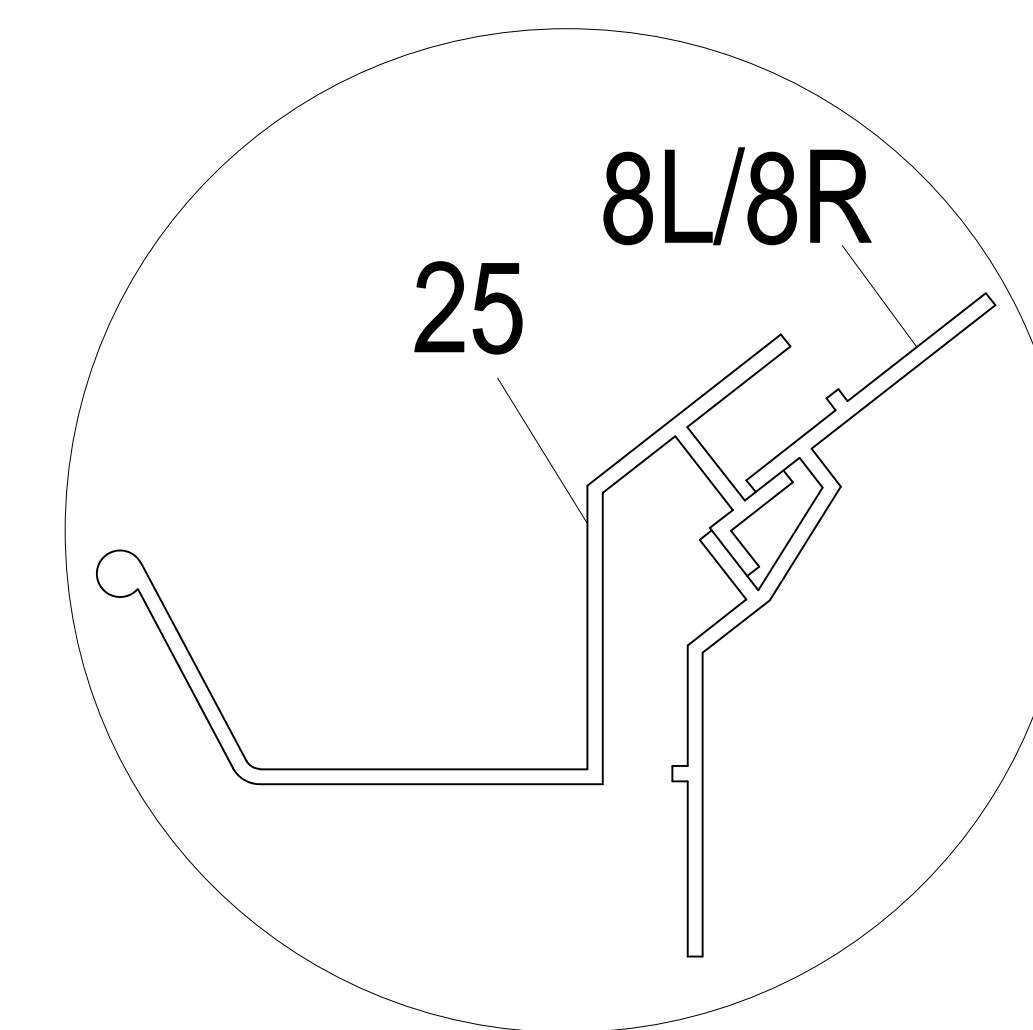
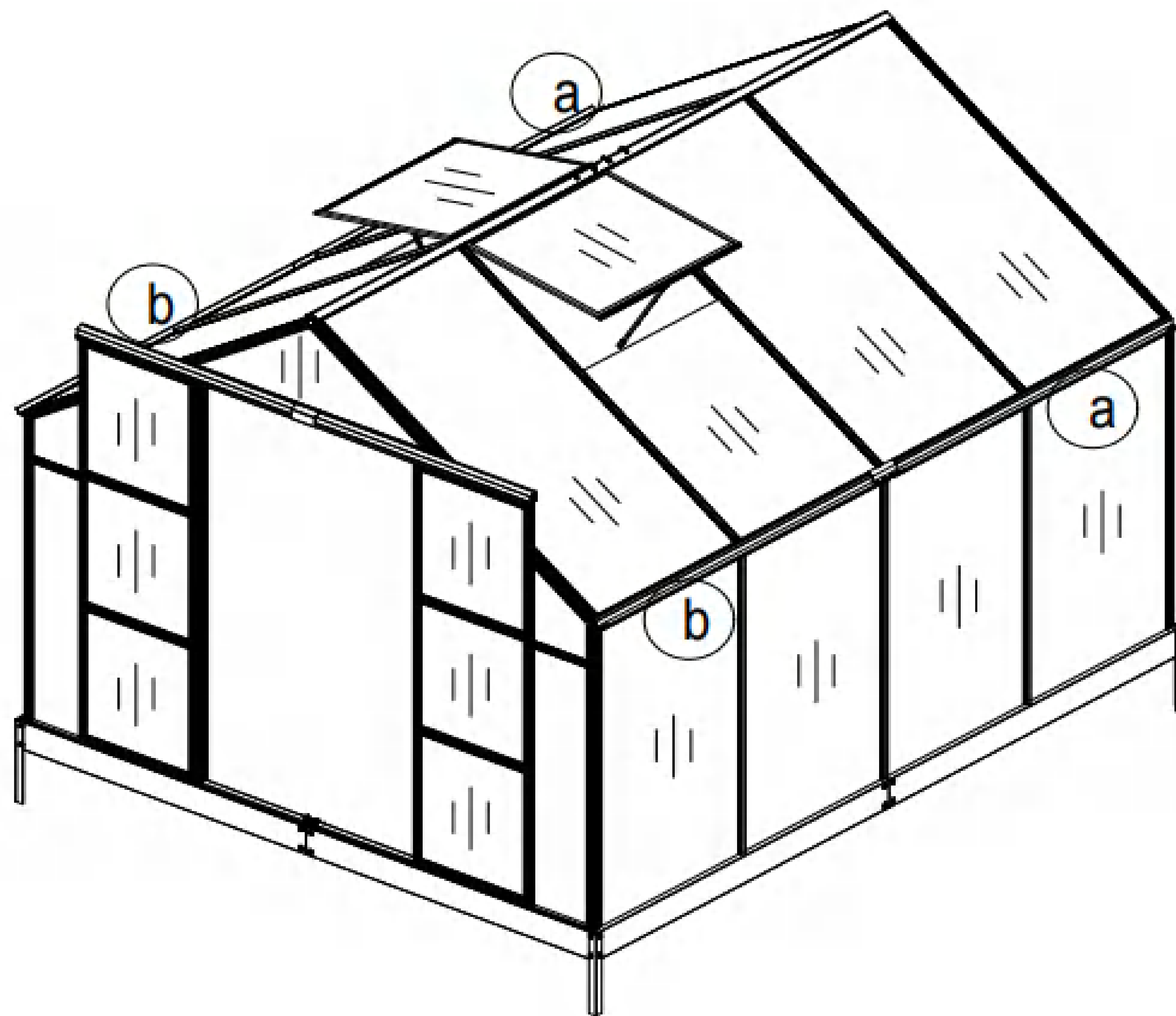
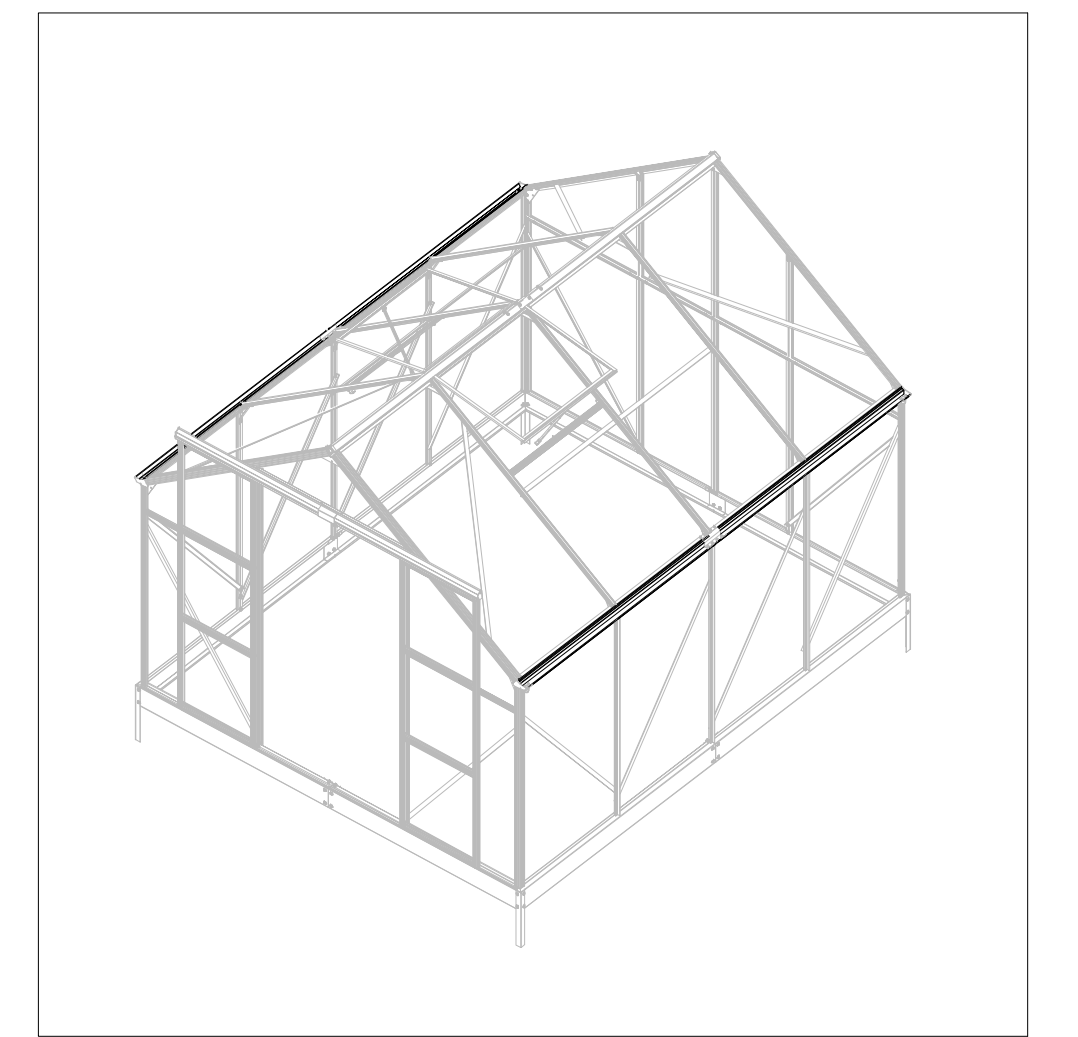
25x4 



P9 x6



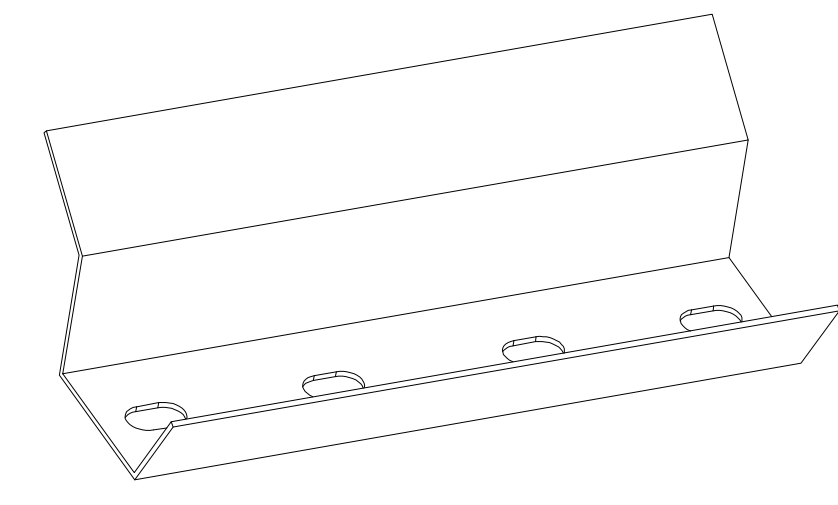
P10 x2



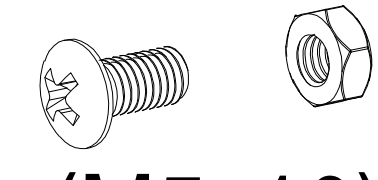
If the No. 25 cannot be inserted smoothly, one reason is that the panel has not be stuck, another reason is that the greenhouse has little crooked.



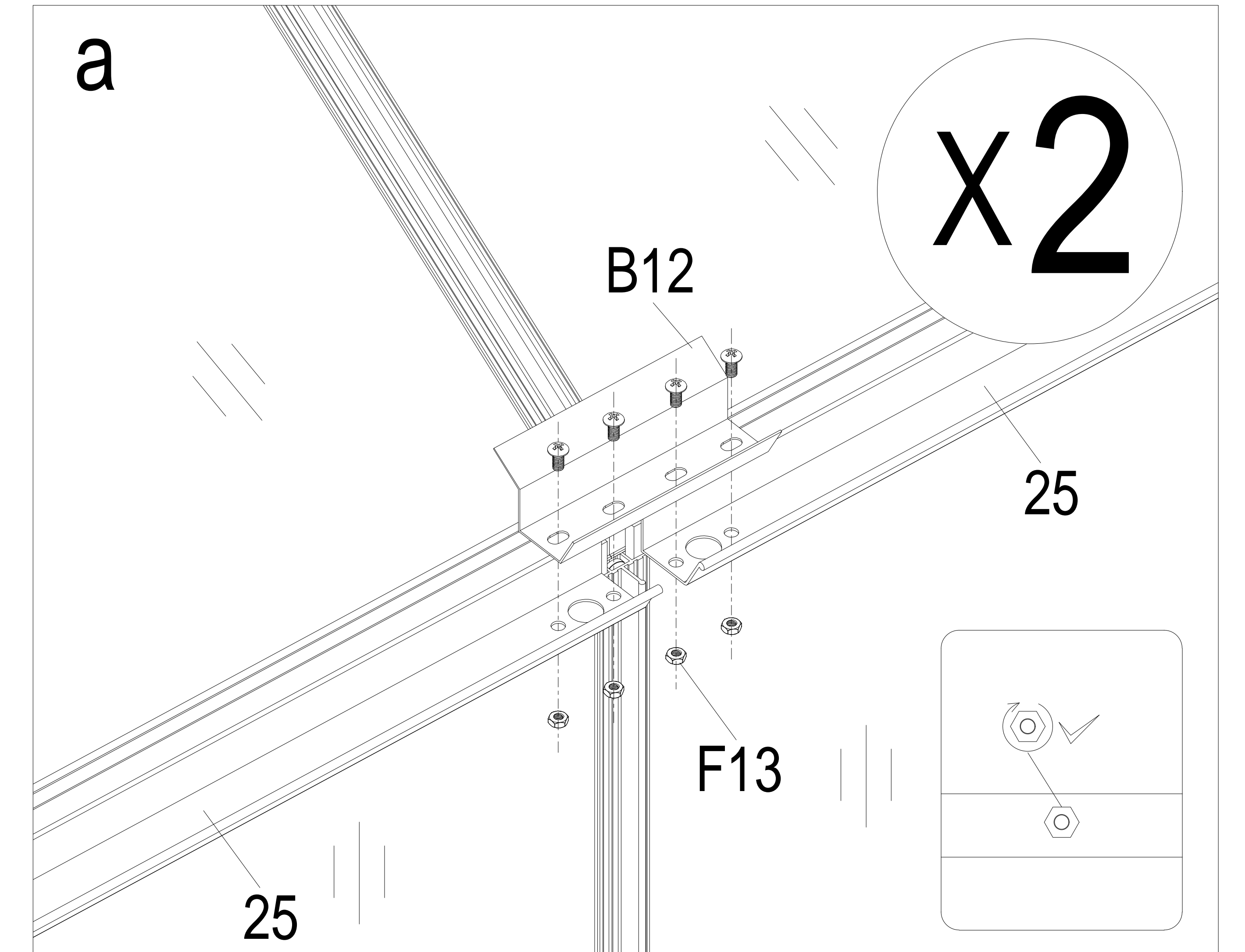
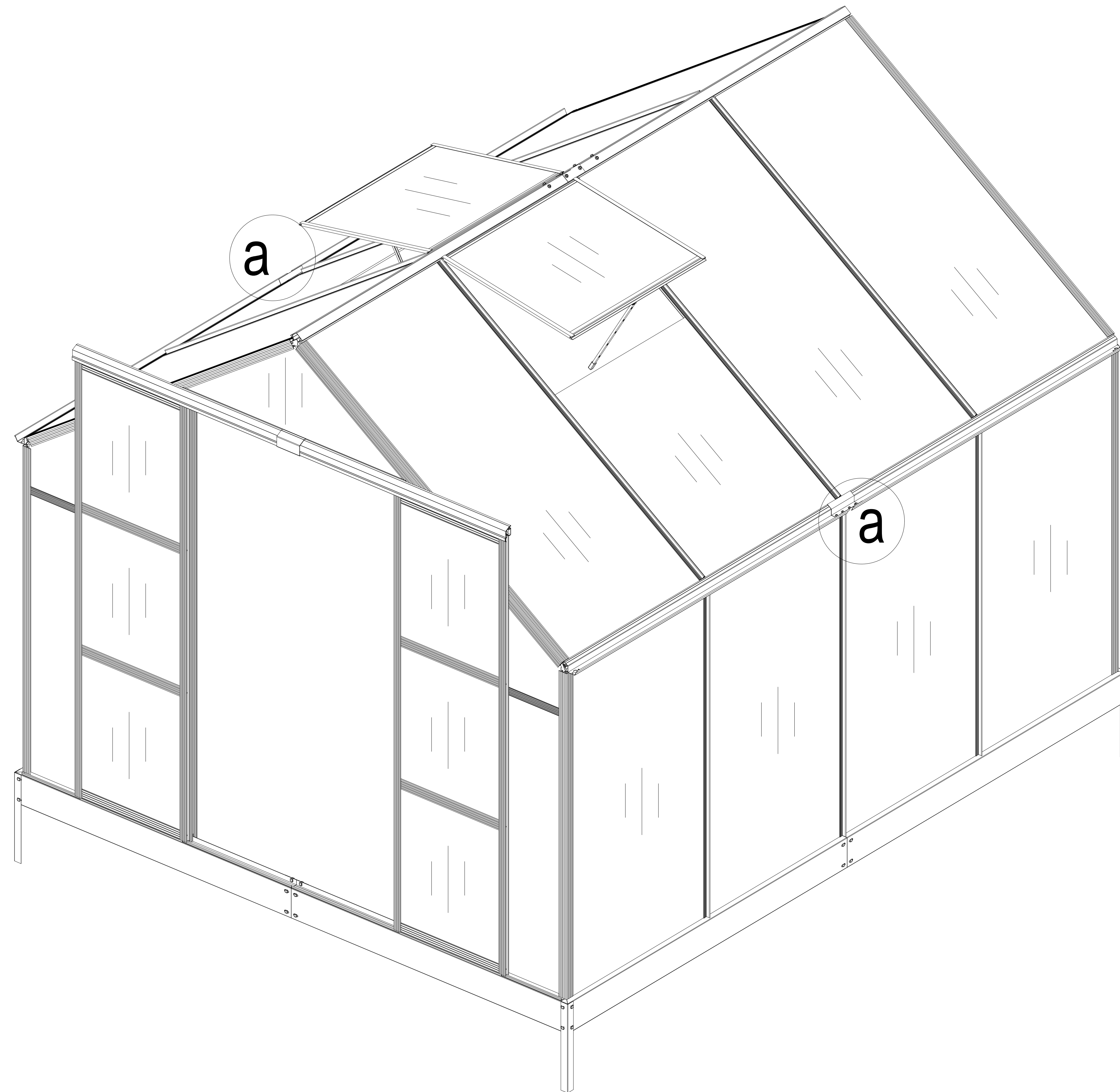
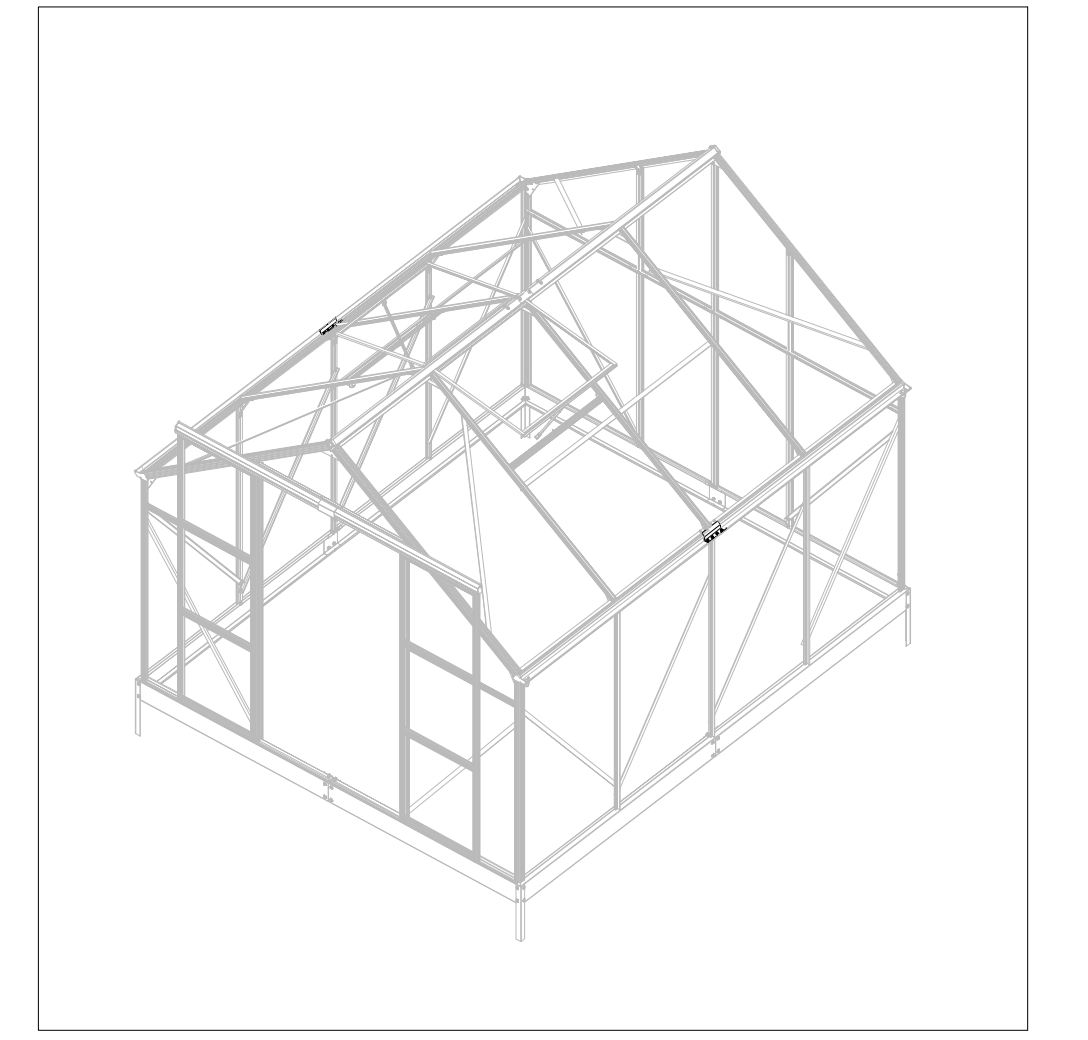
# Roof



B12x2



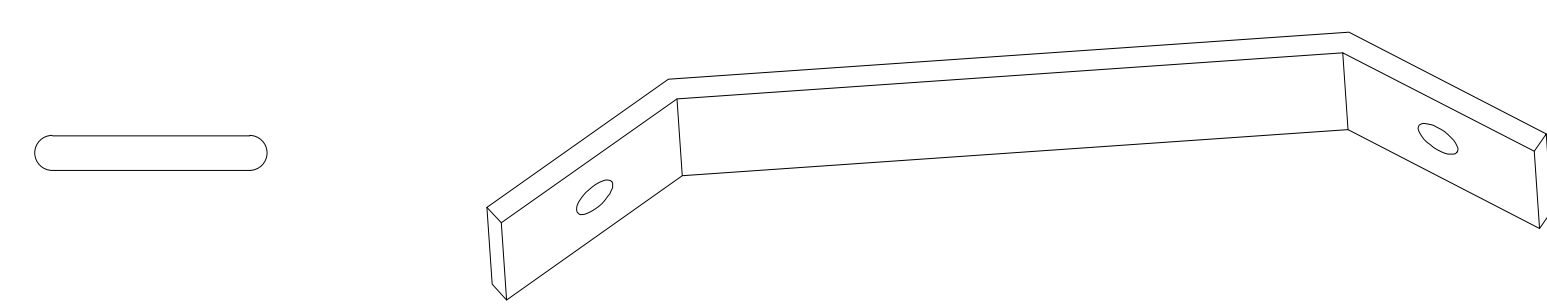
(M5x10)  
F13x8



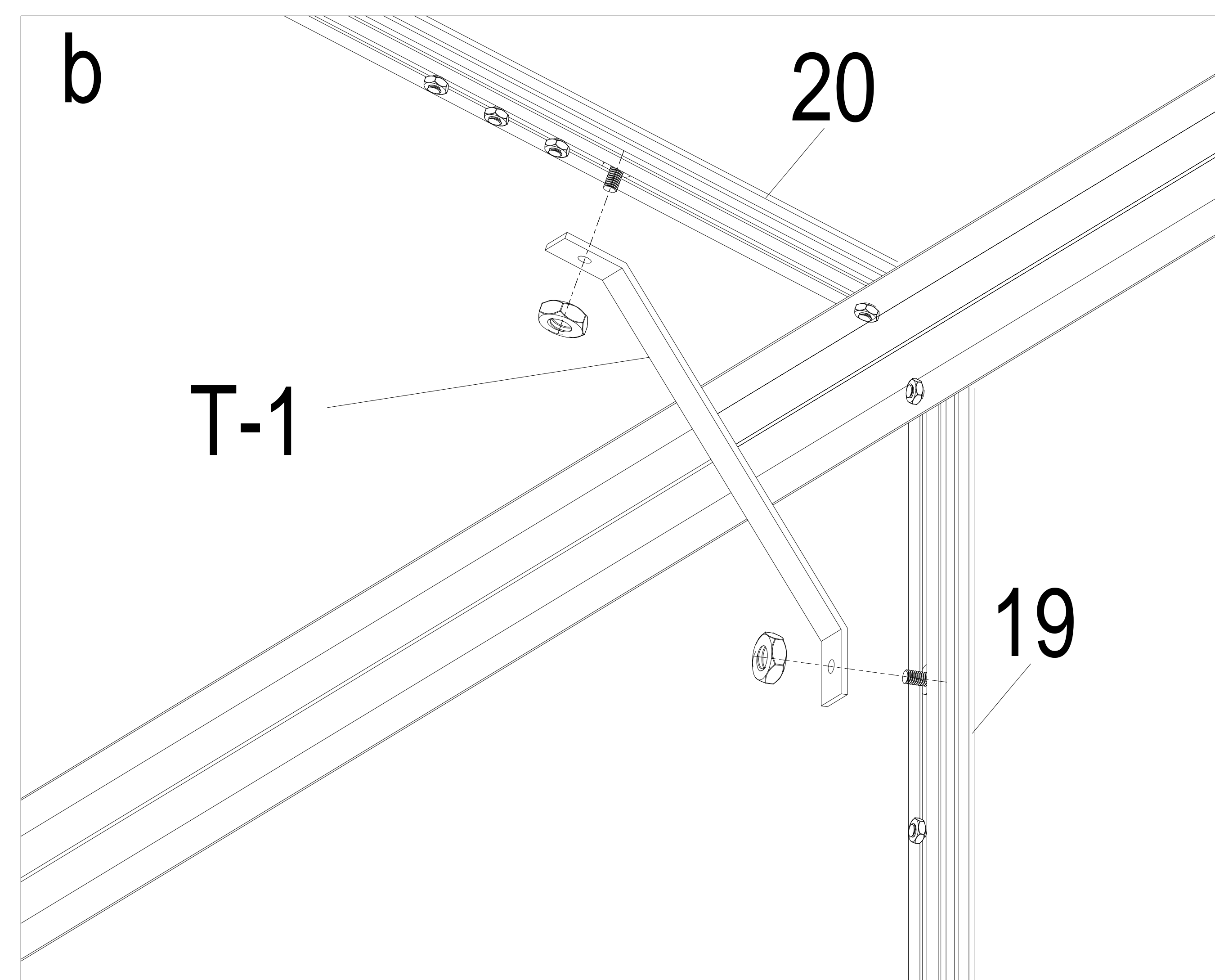
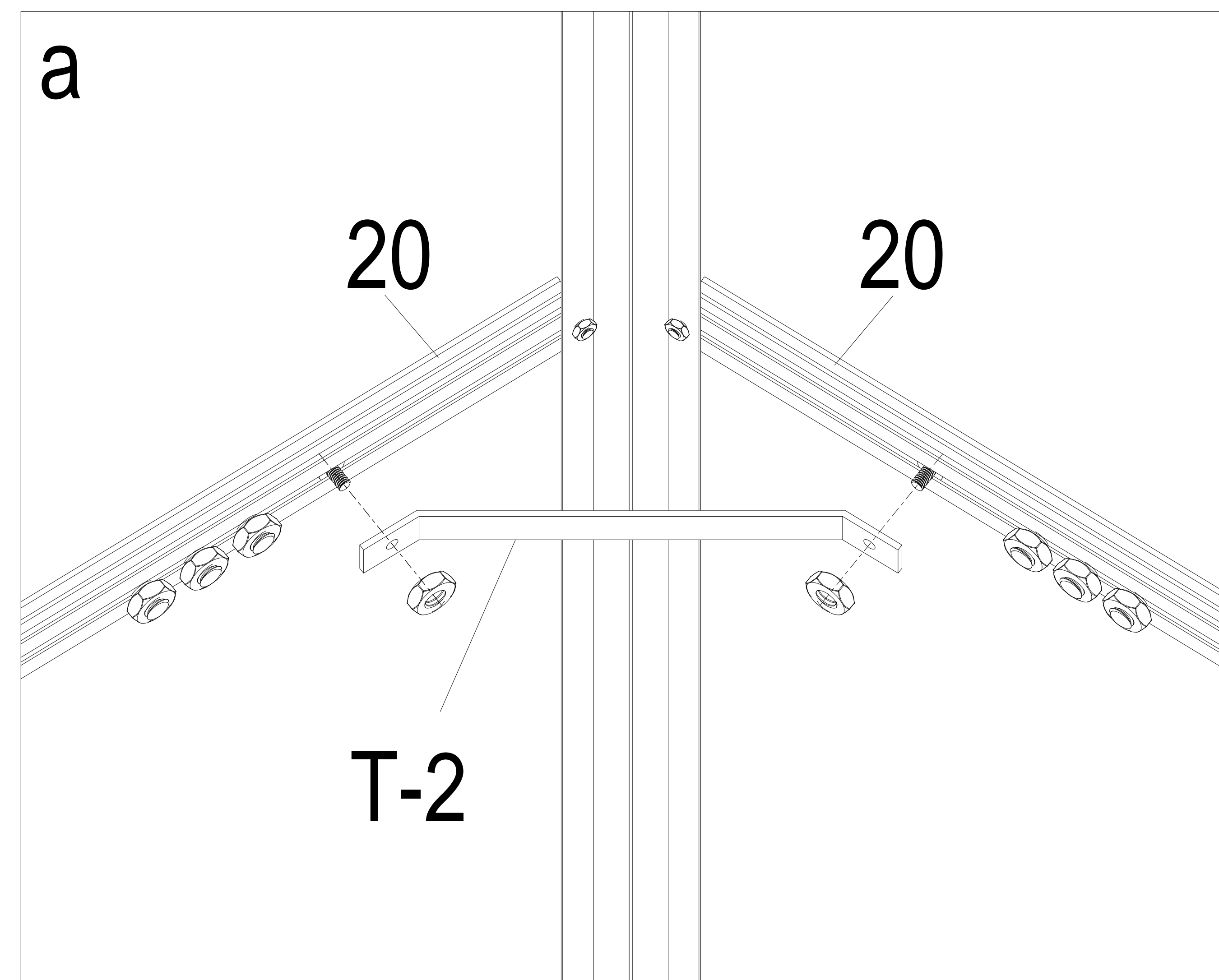
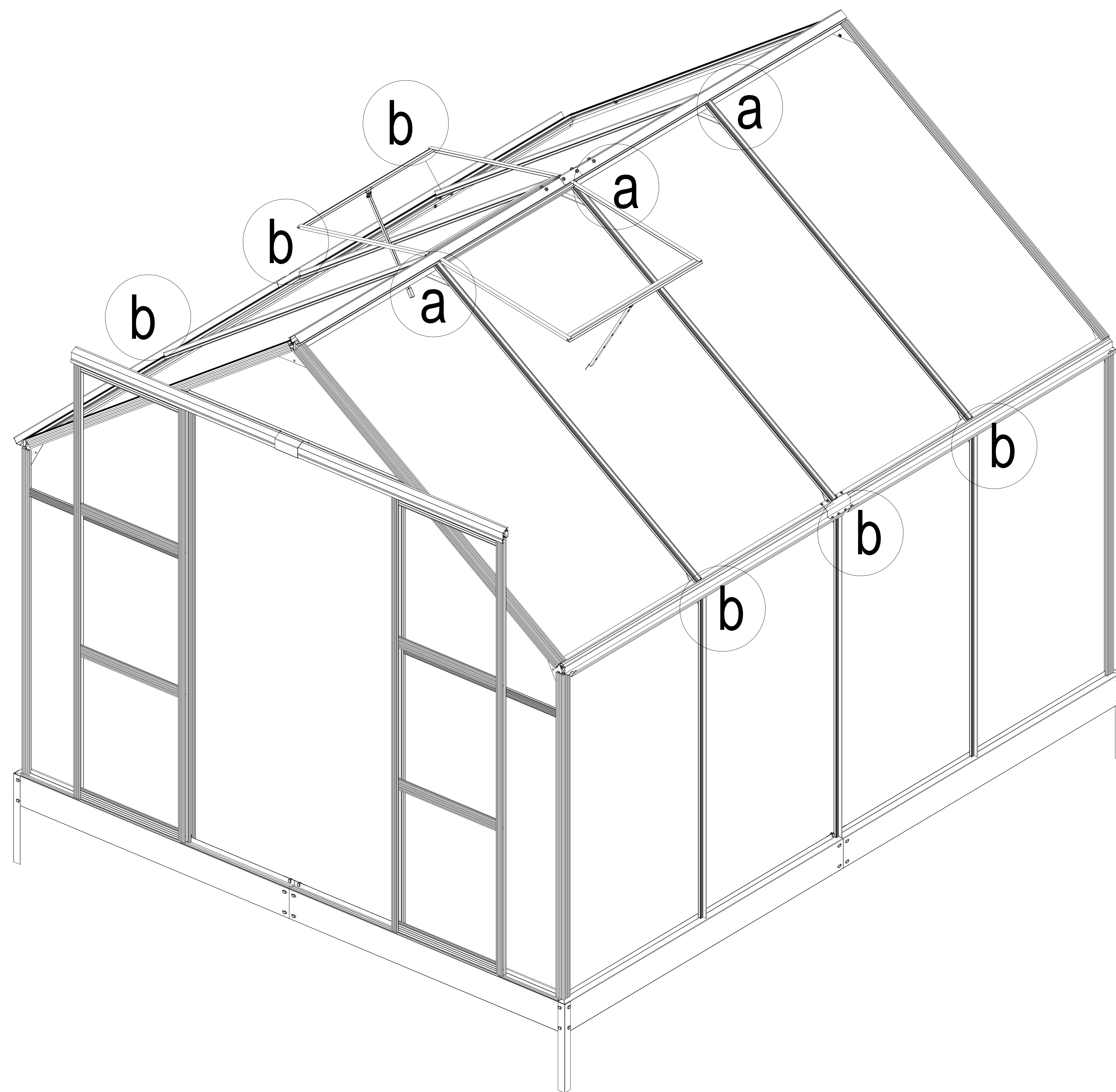
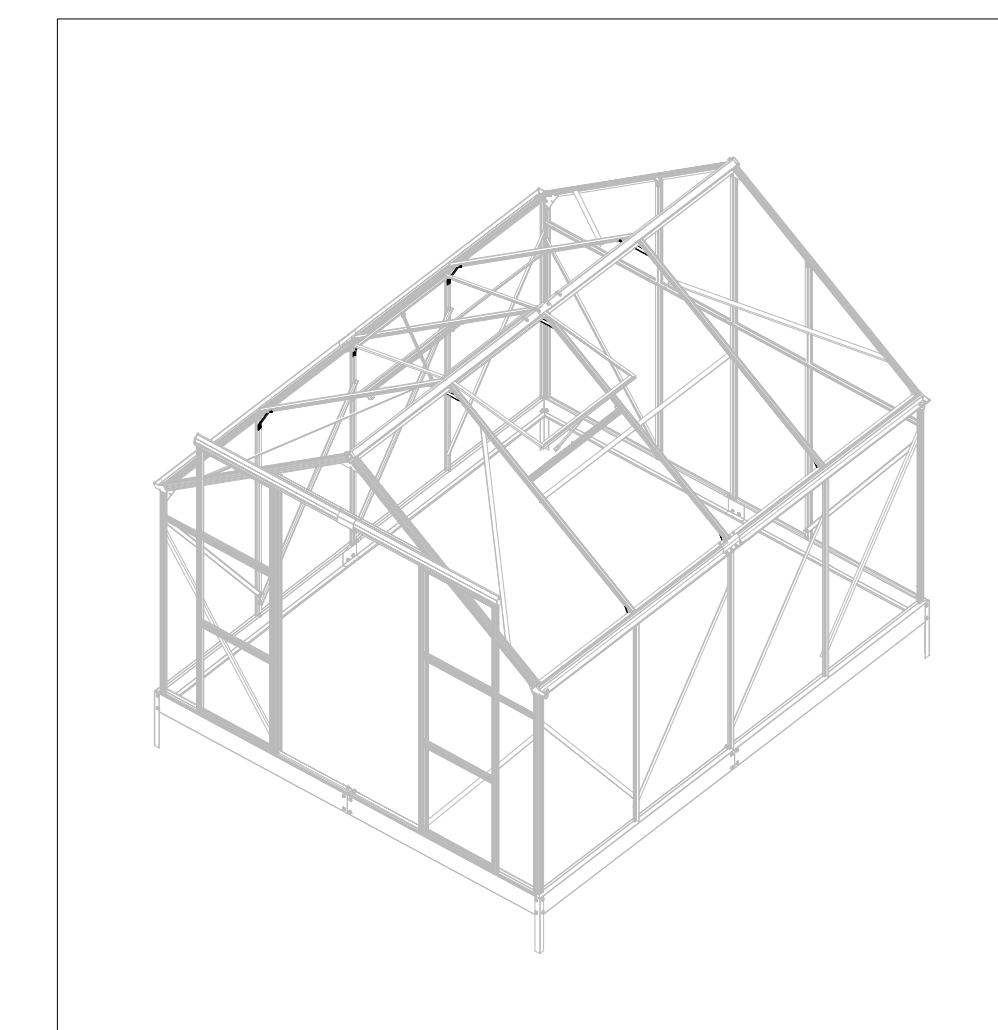
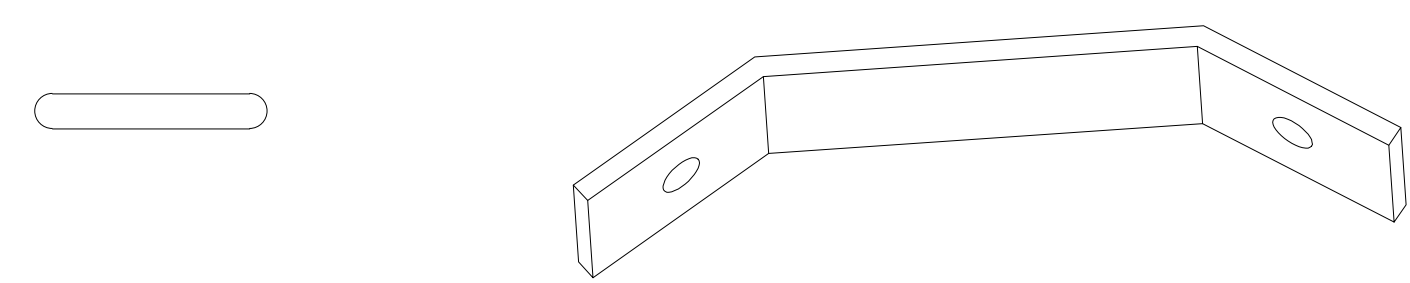


# Roof

T2x3

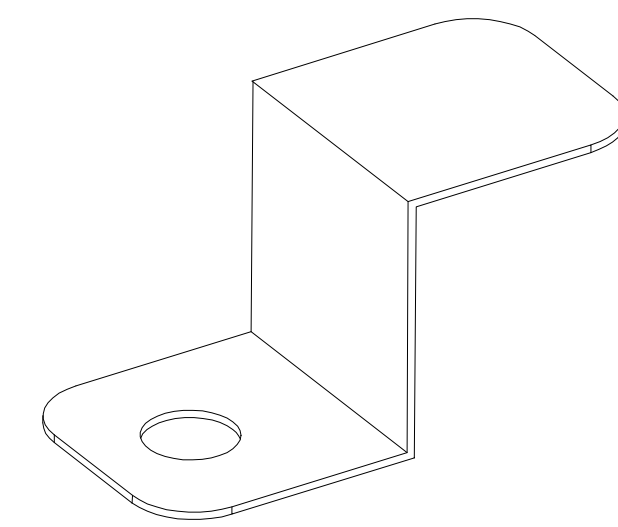
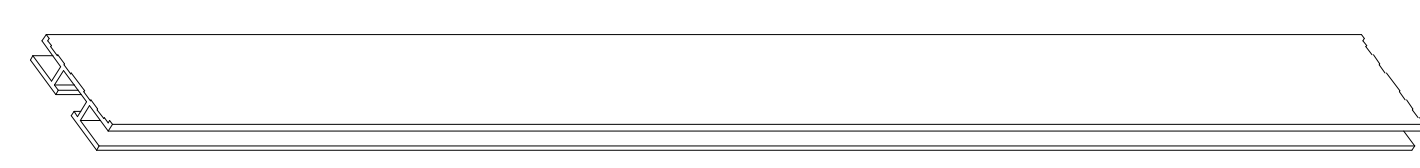


T1x6



# Roof

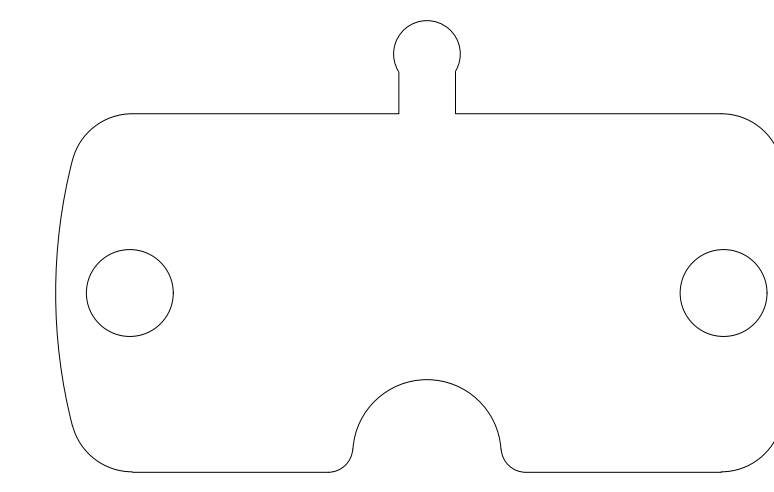
21x2



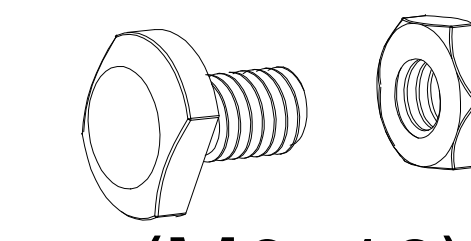
B11x2



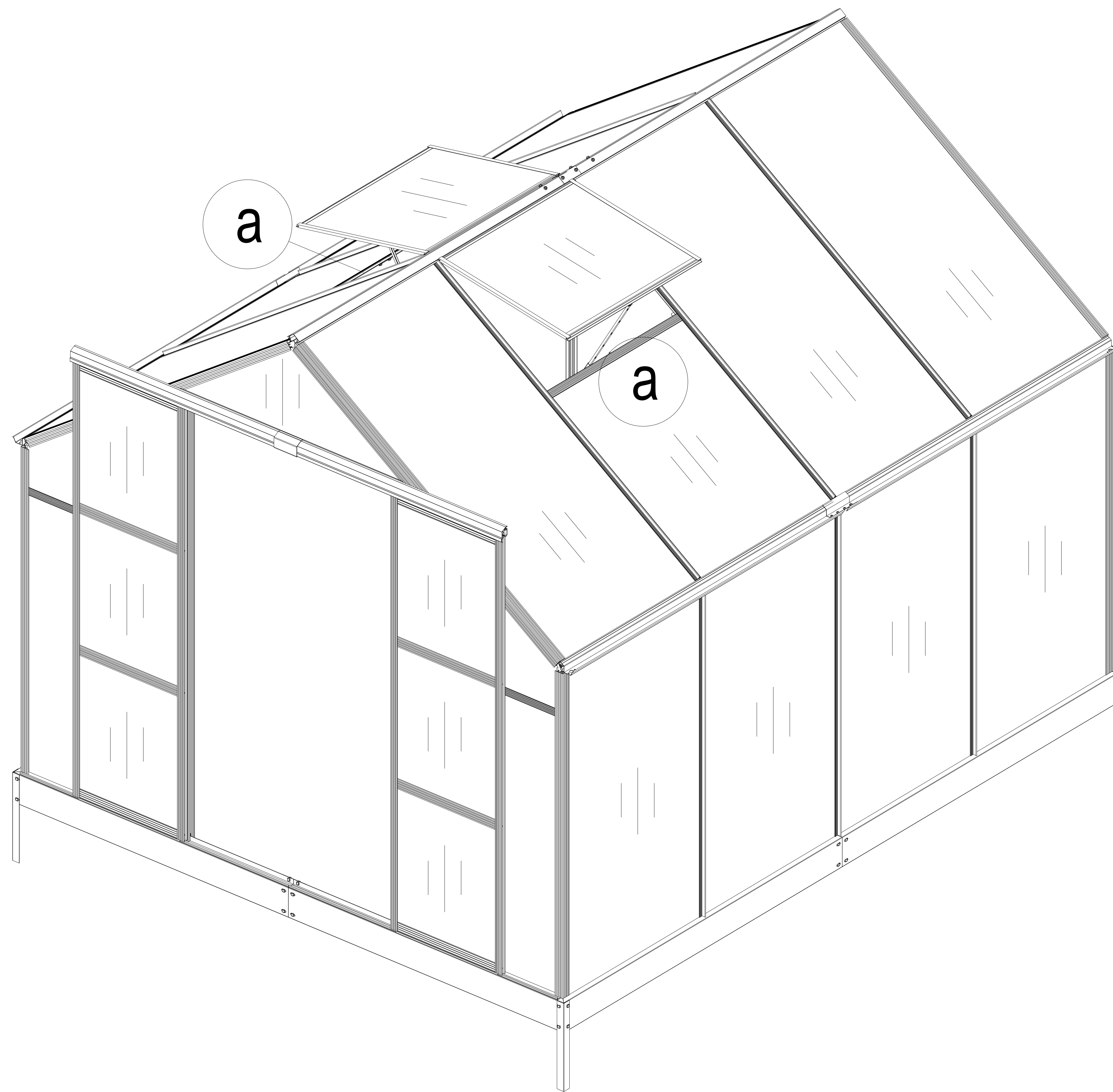
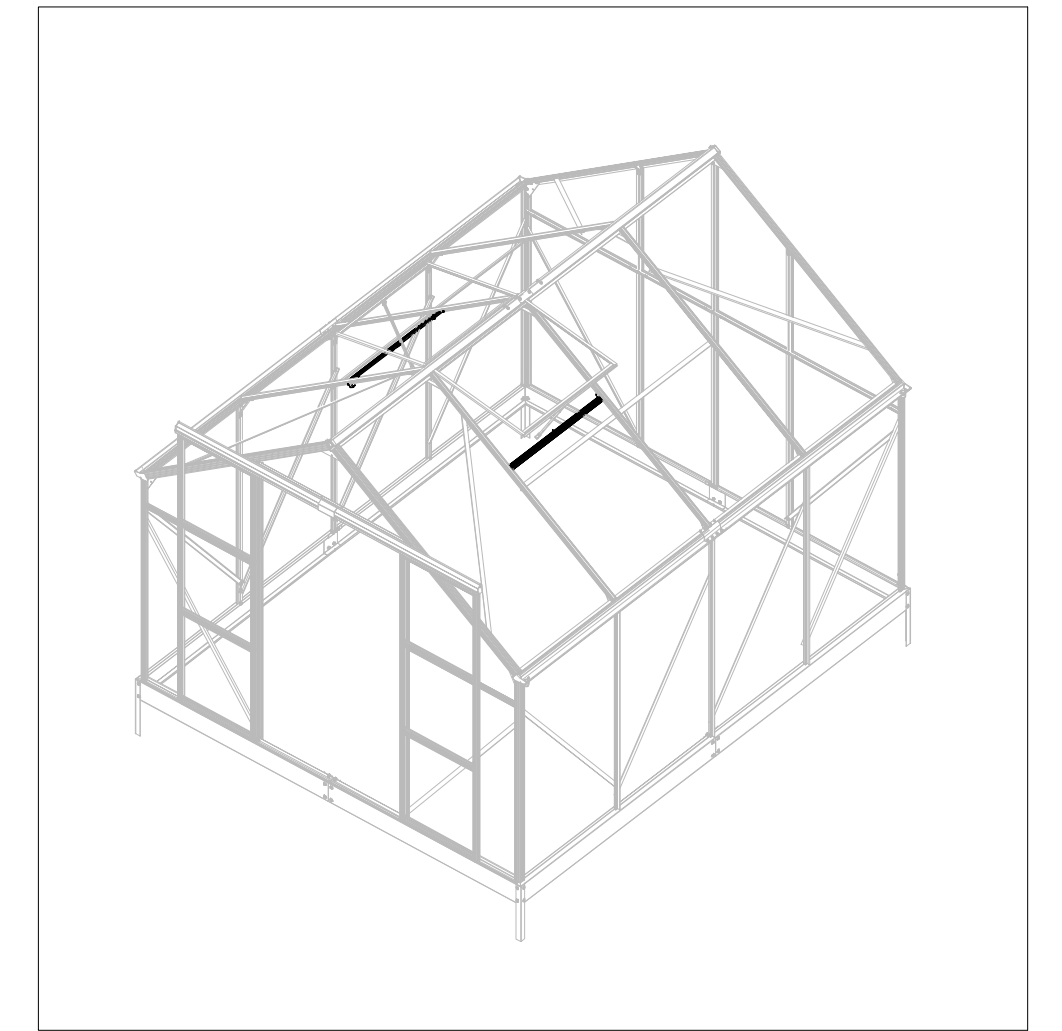
B3x4



B7x2

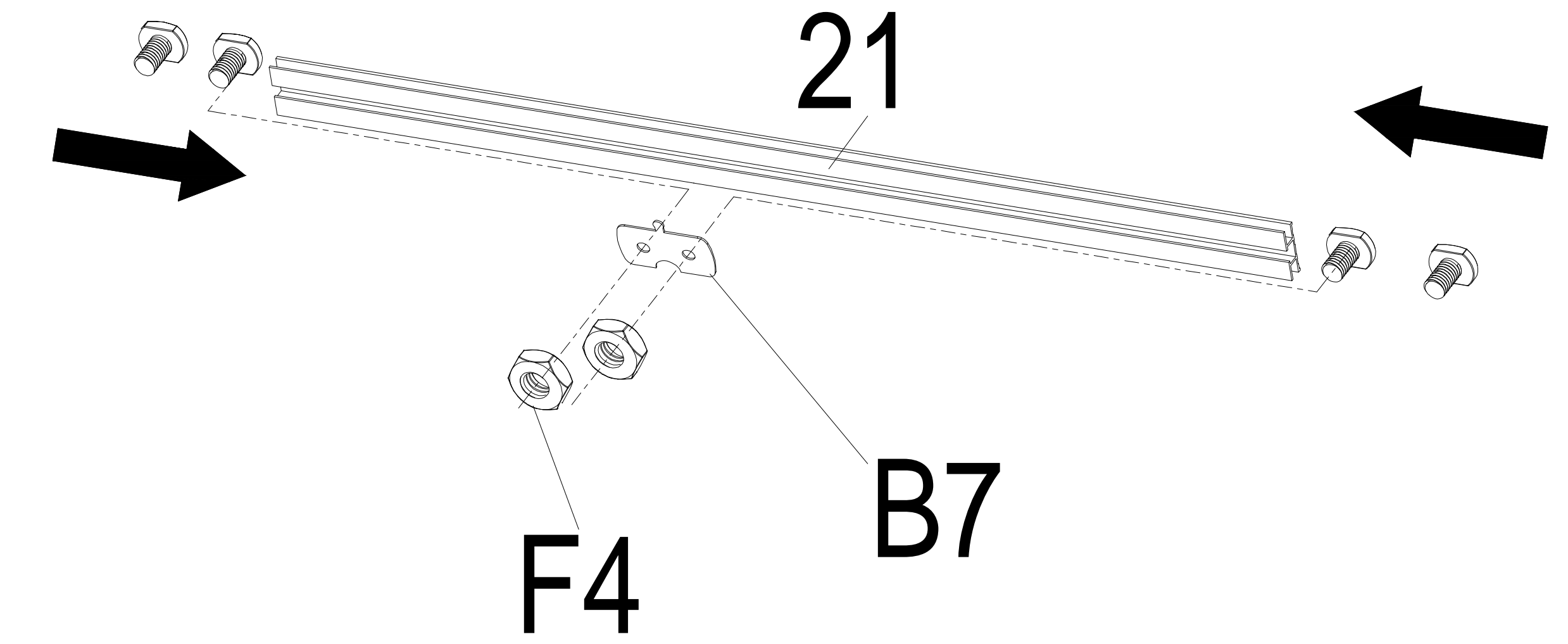


(M6x12)  
F4x8



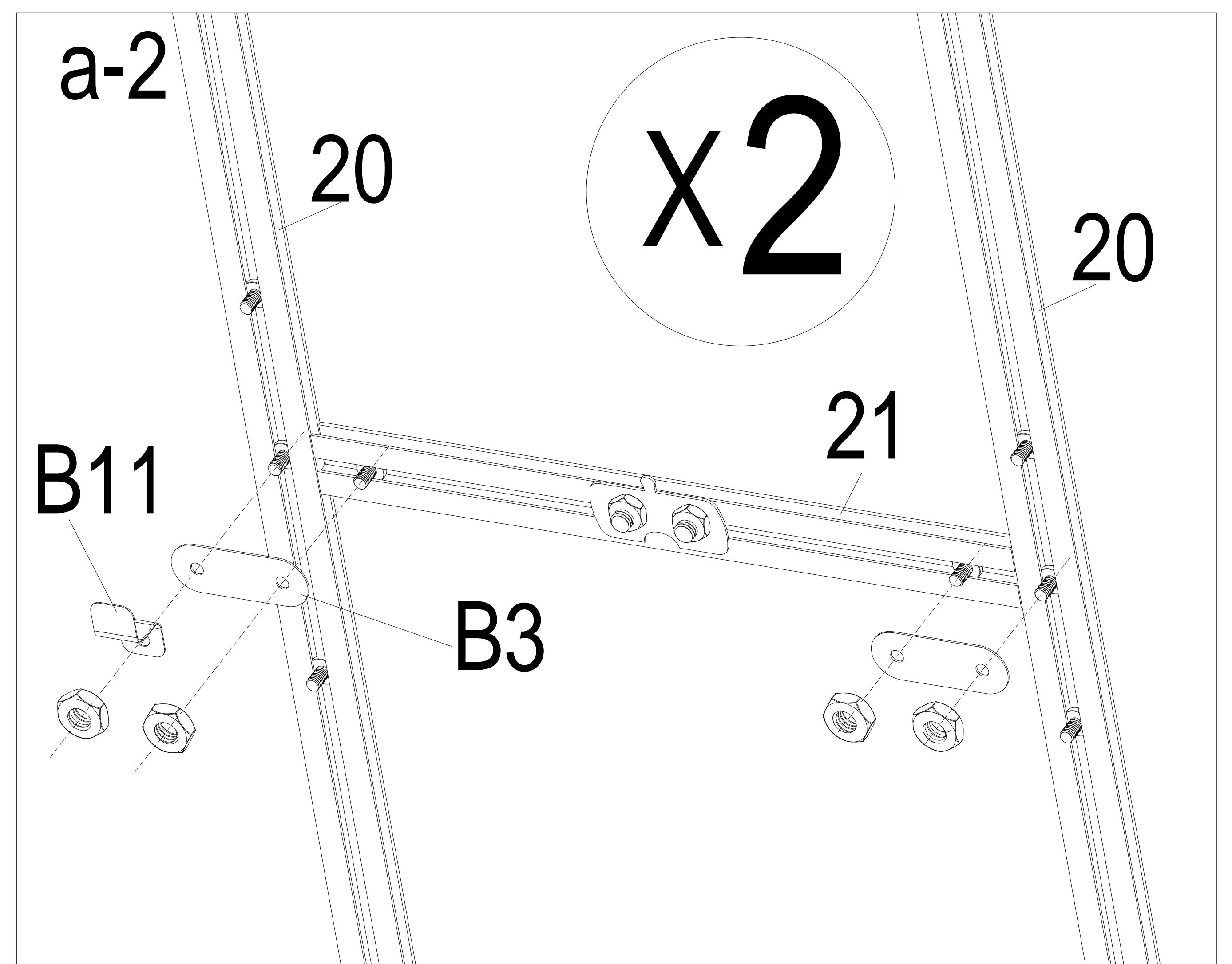
a-1

x2



a-2

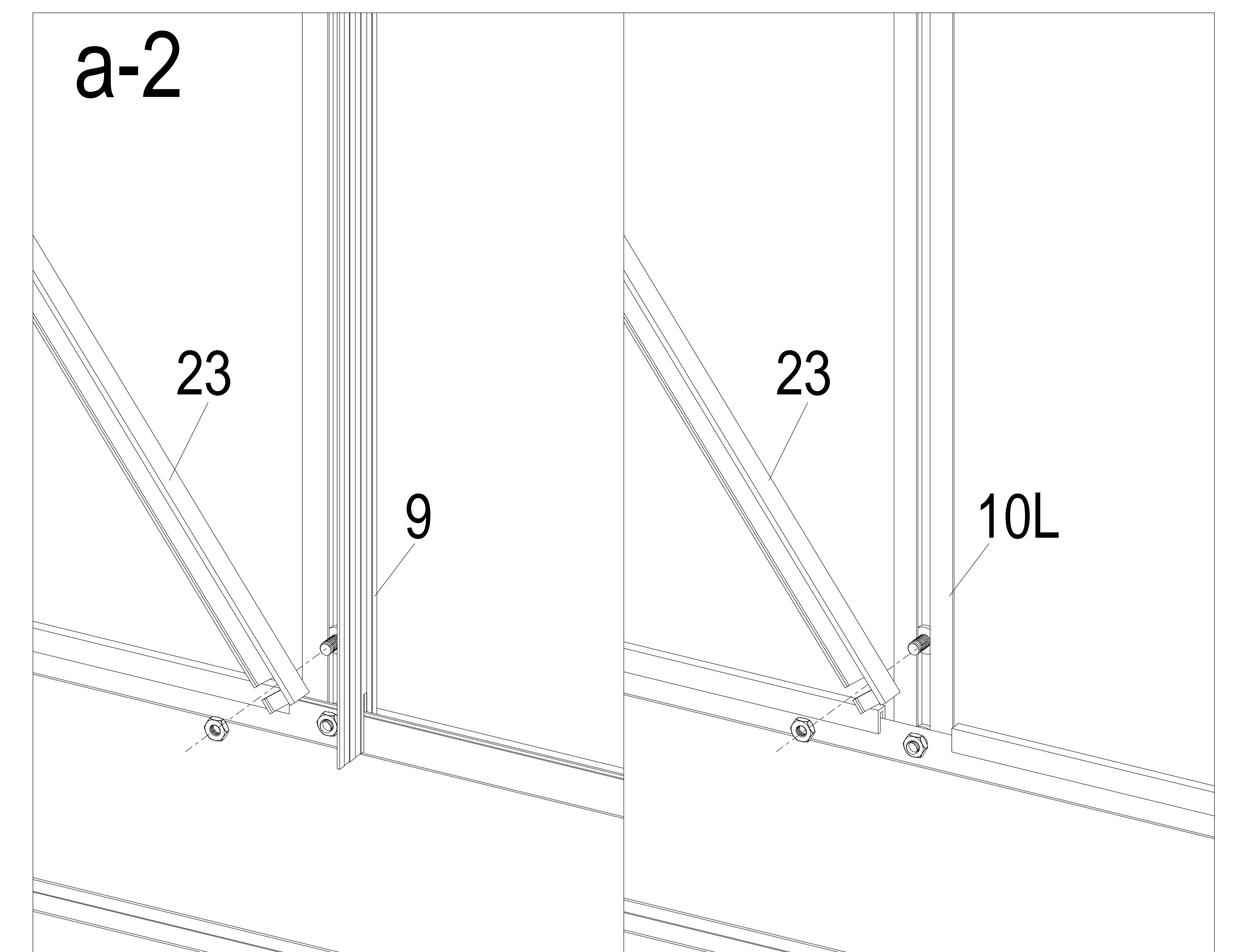
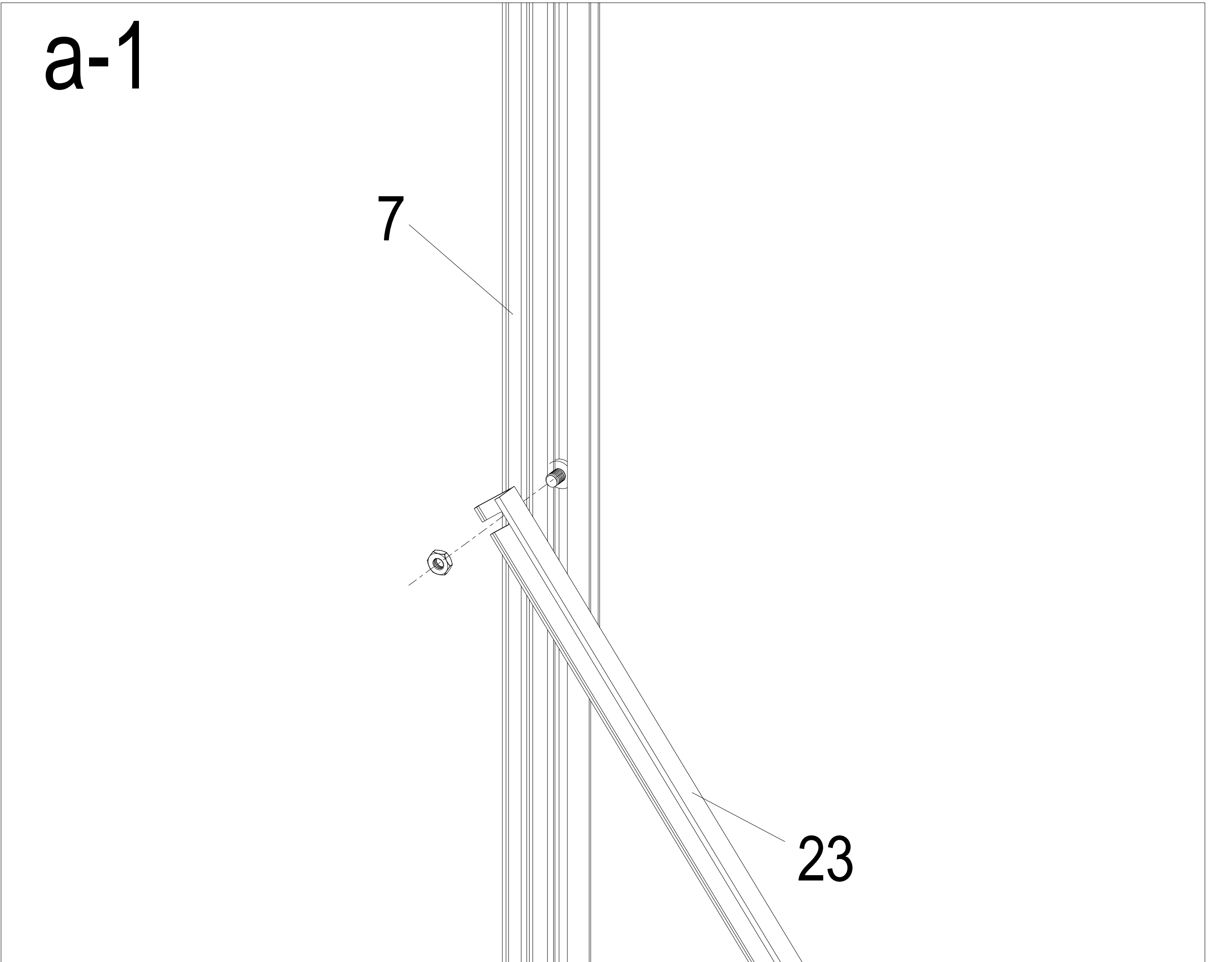
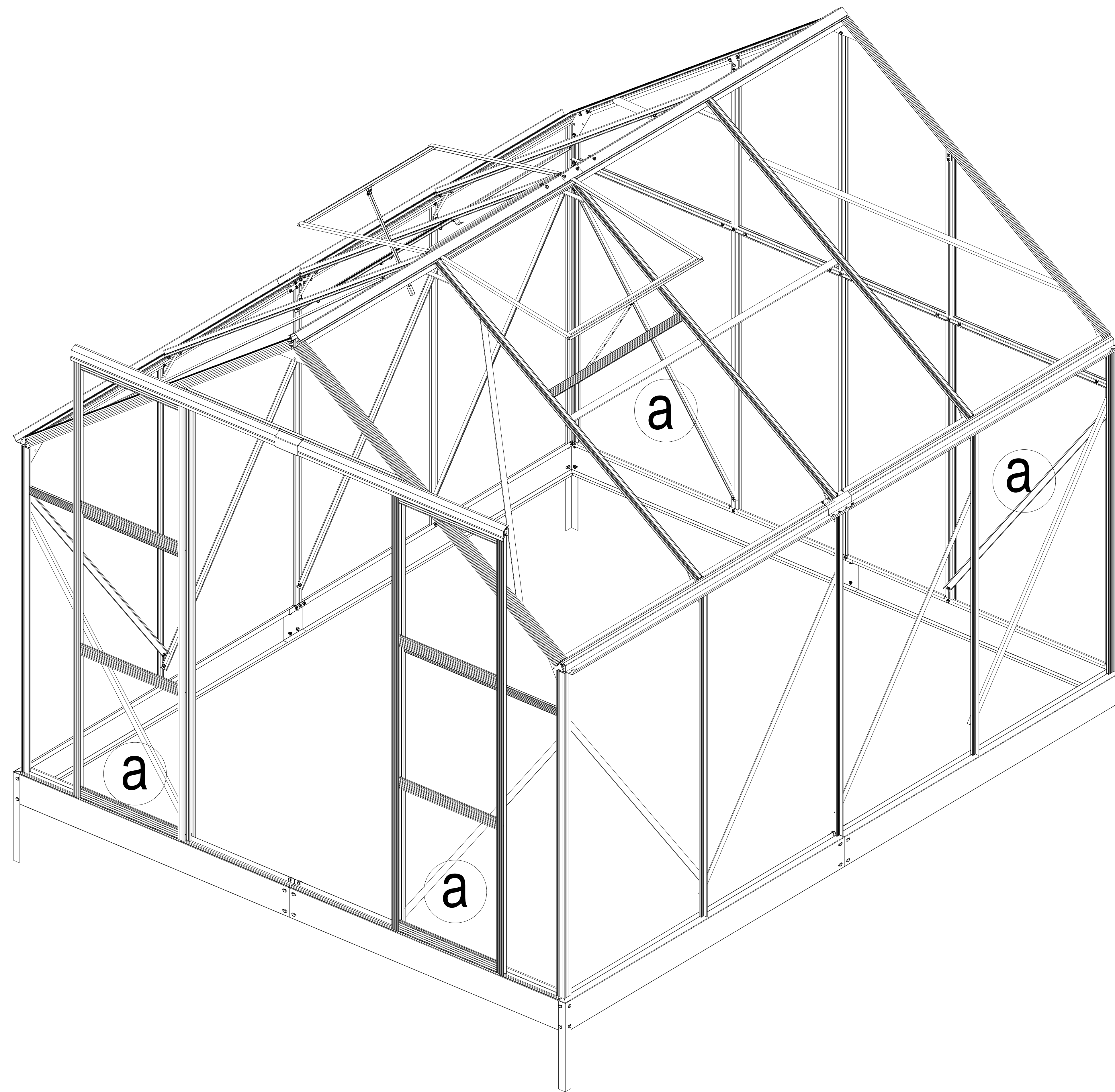
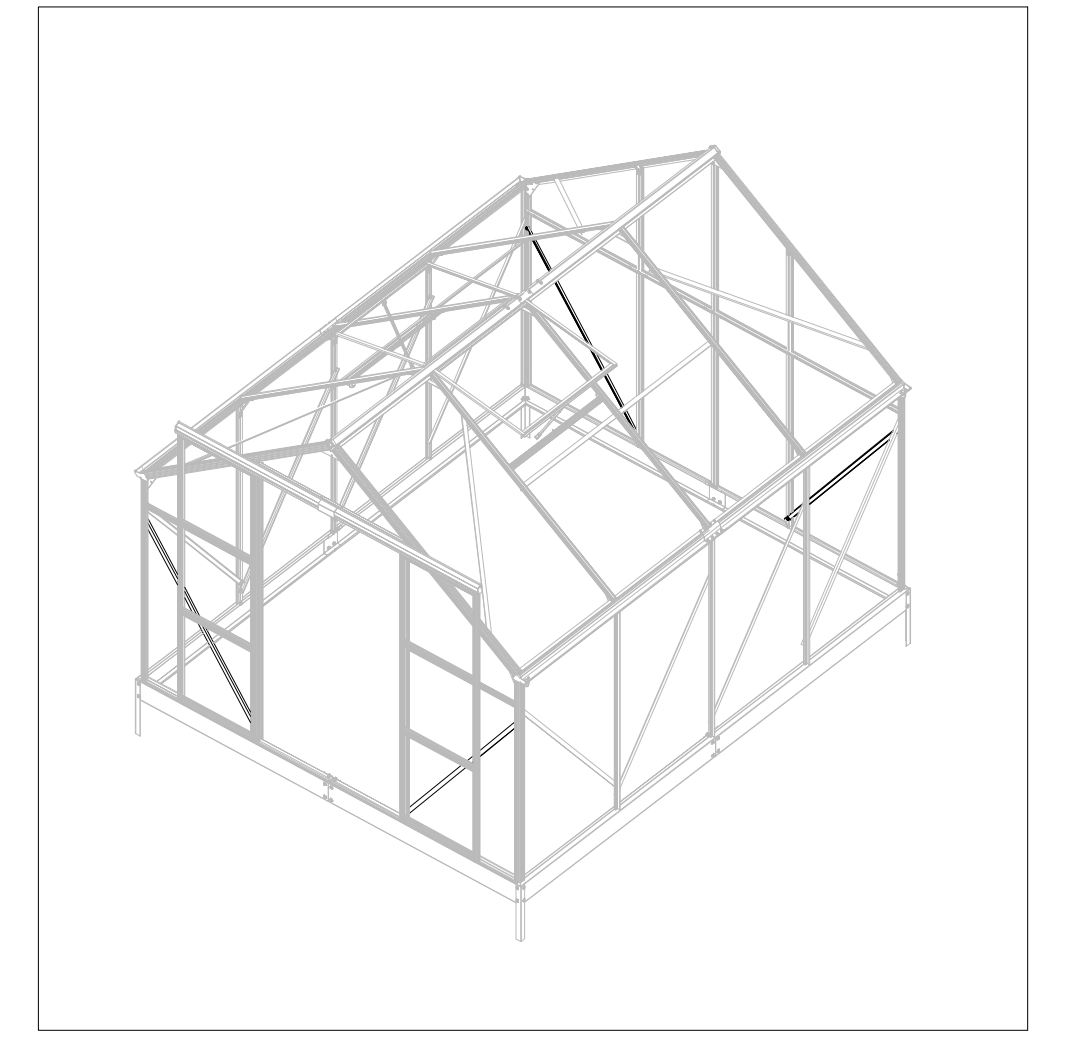
x2





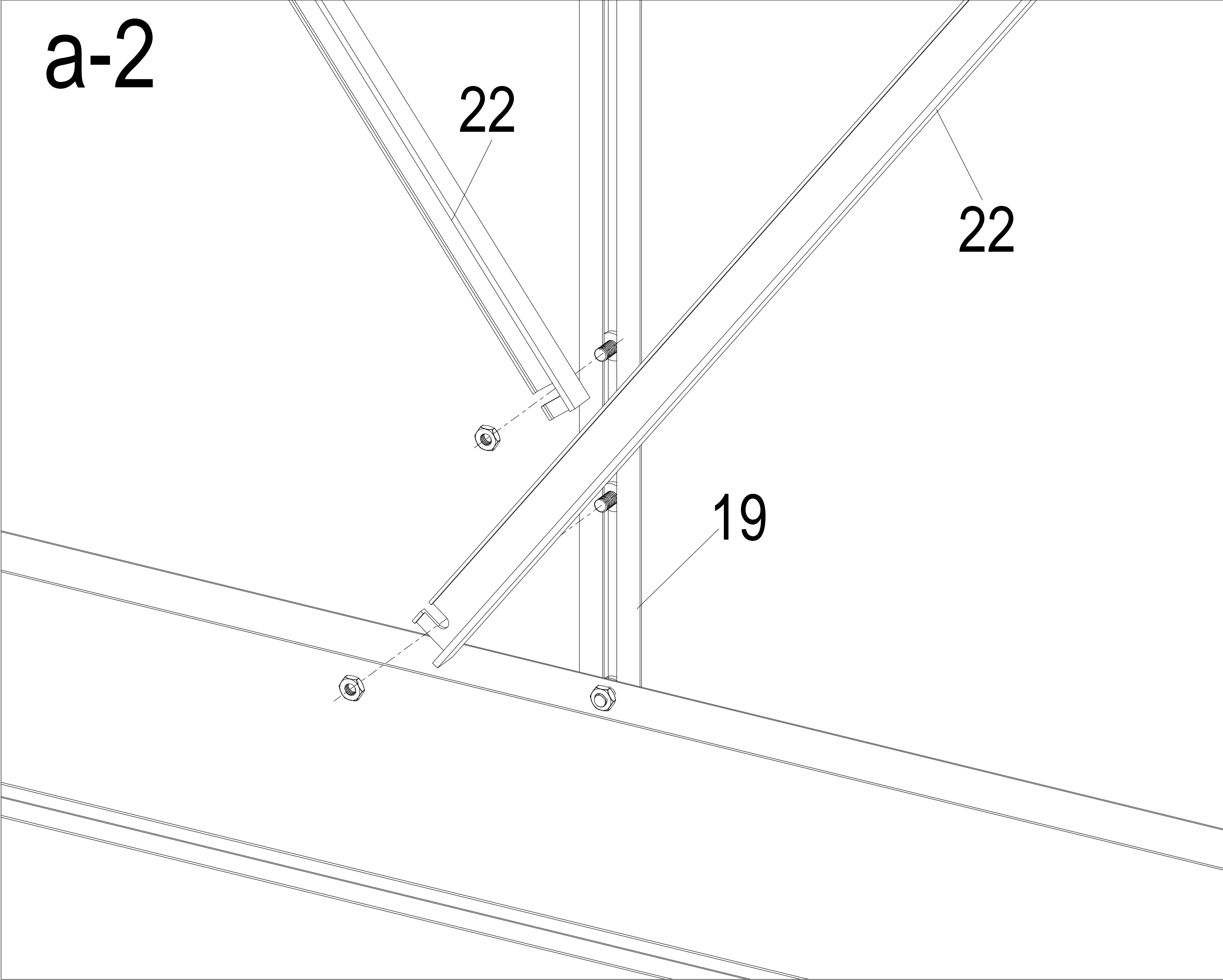
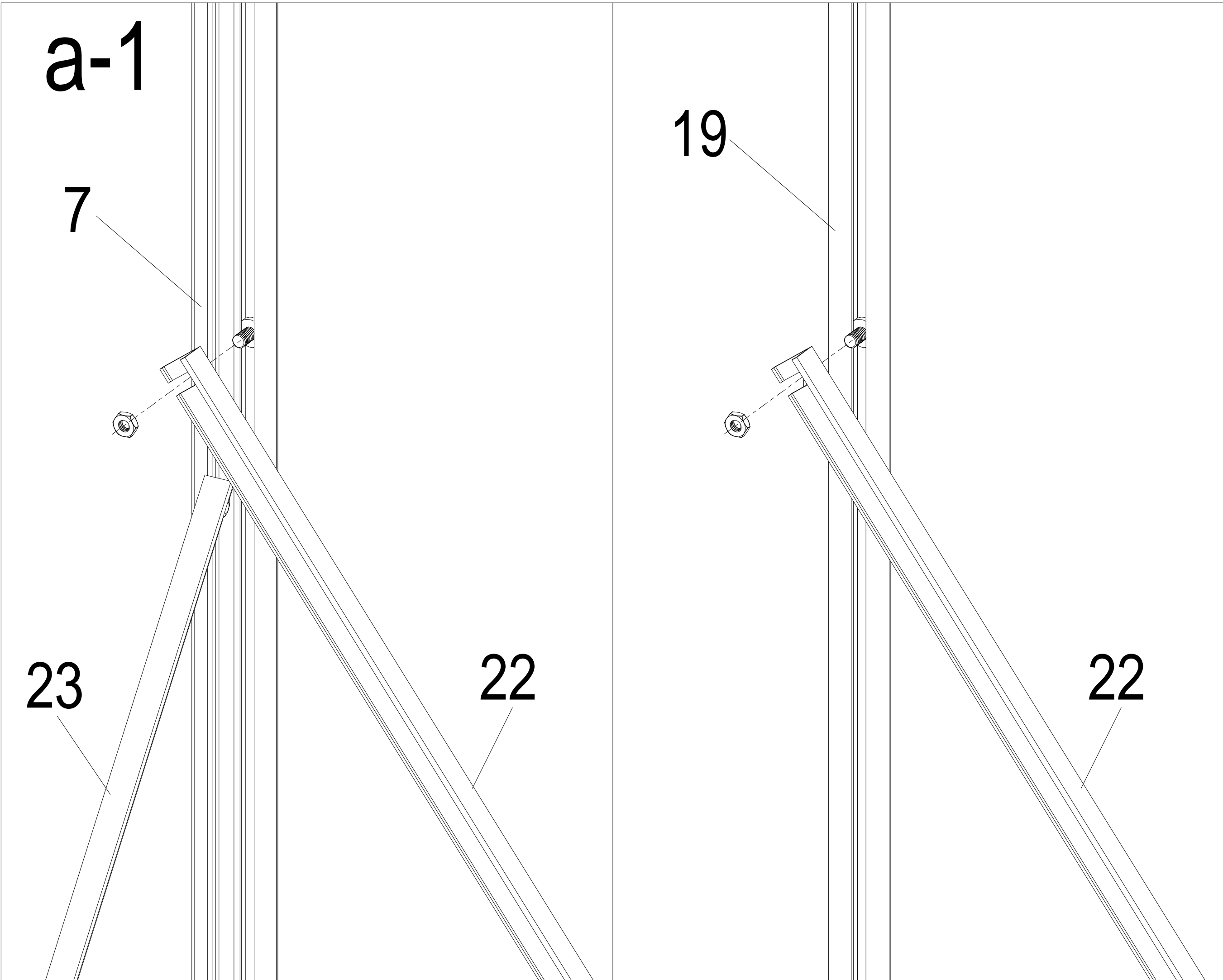
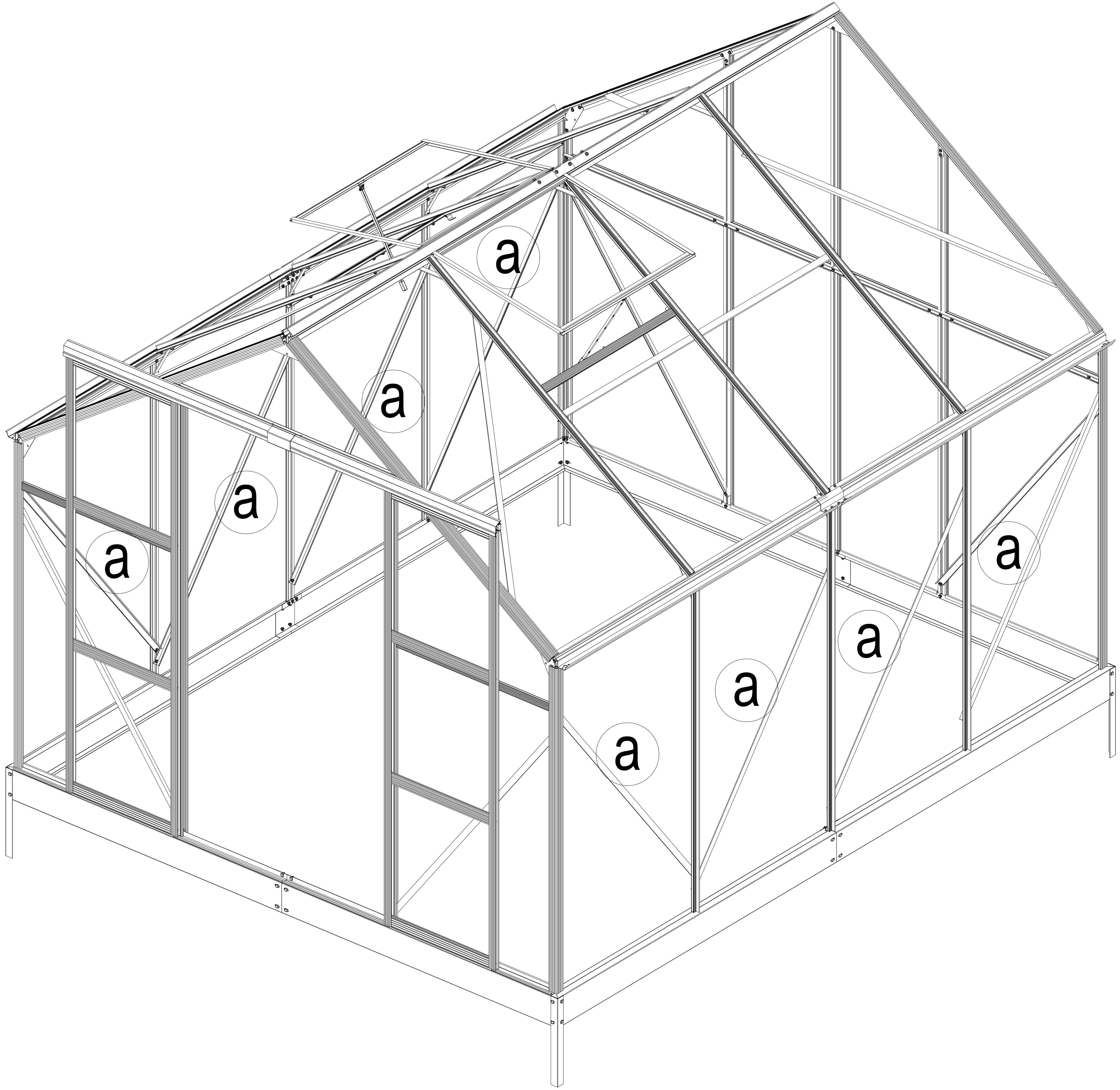
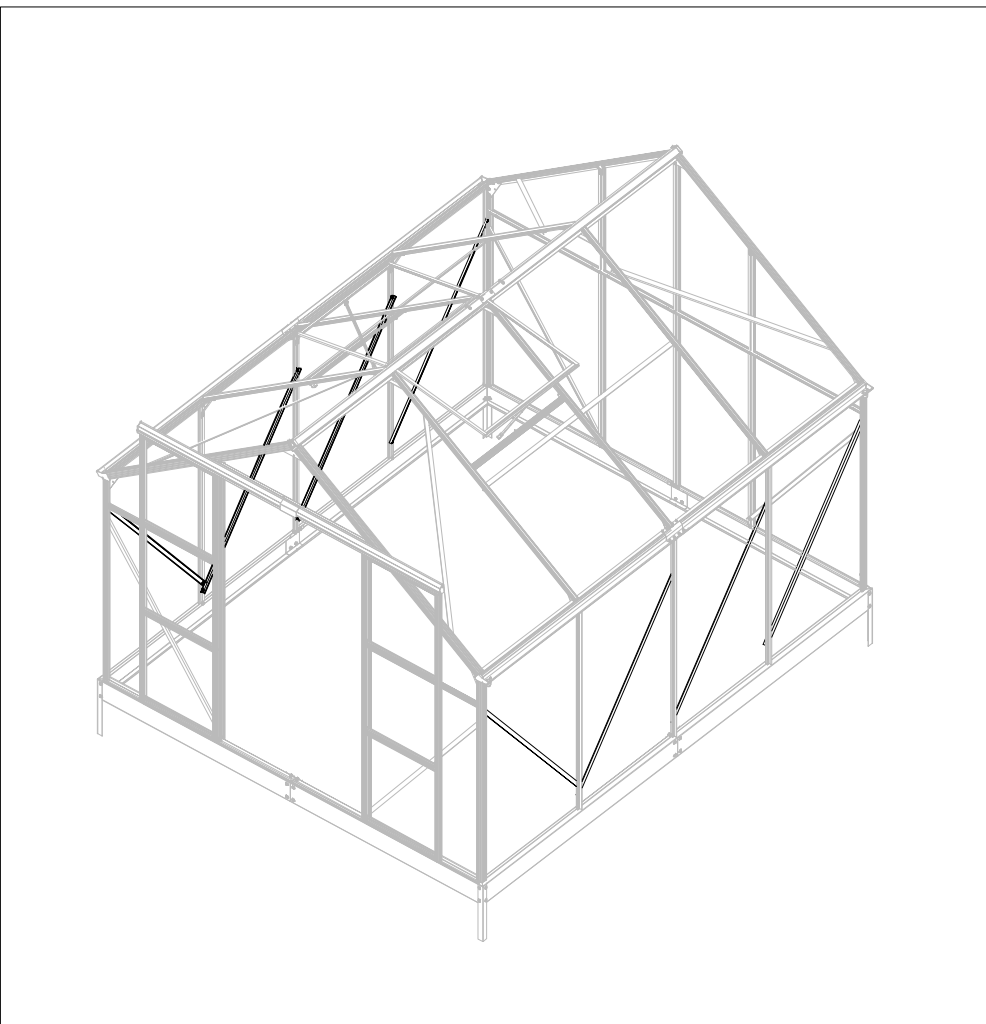
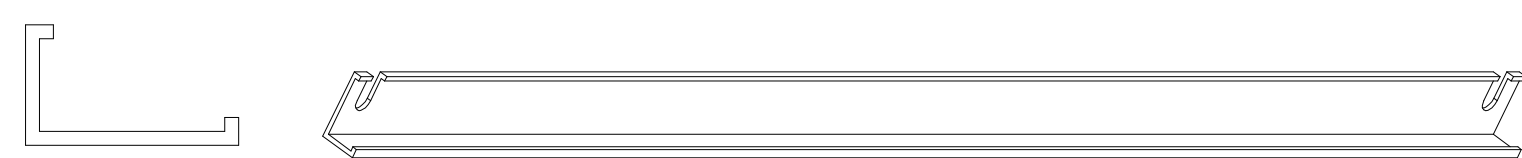
# Roof

23x4



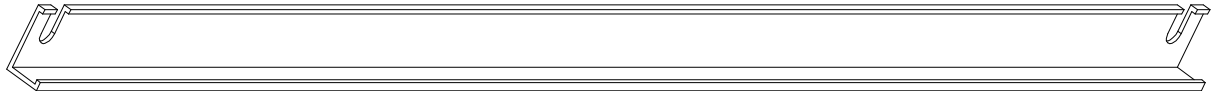
# Roof

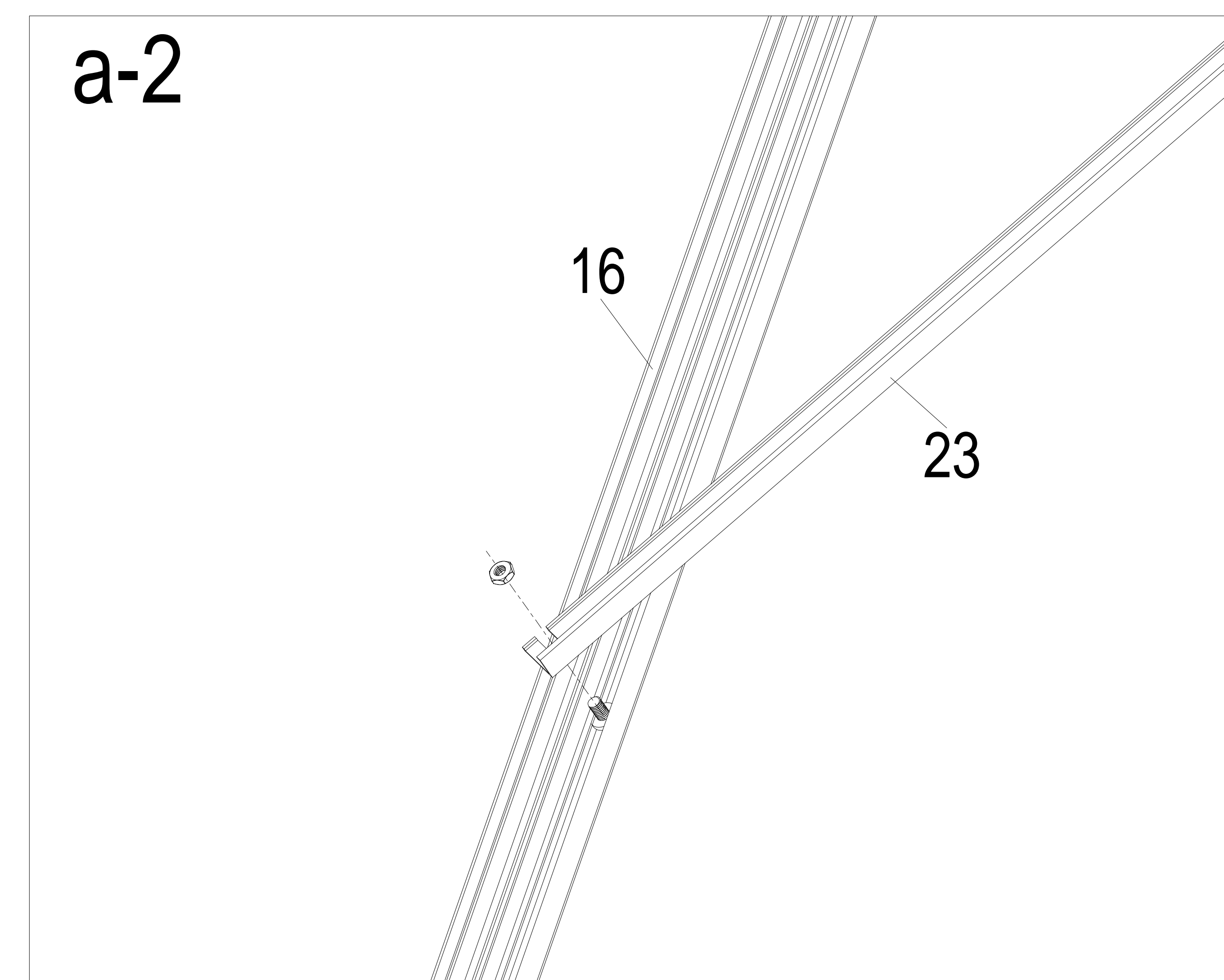
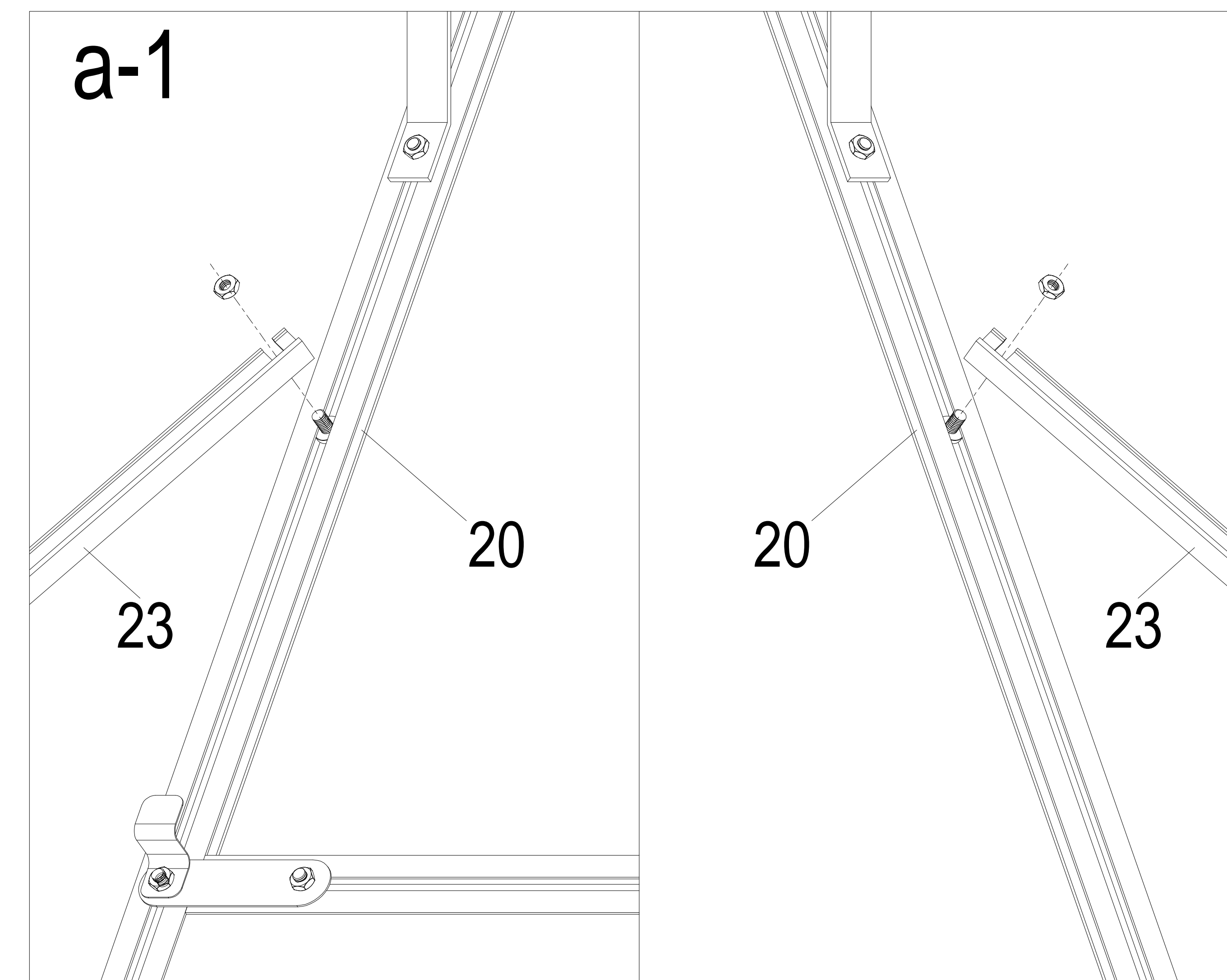
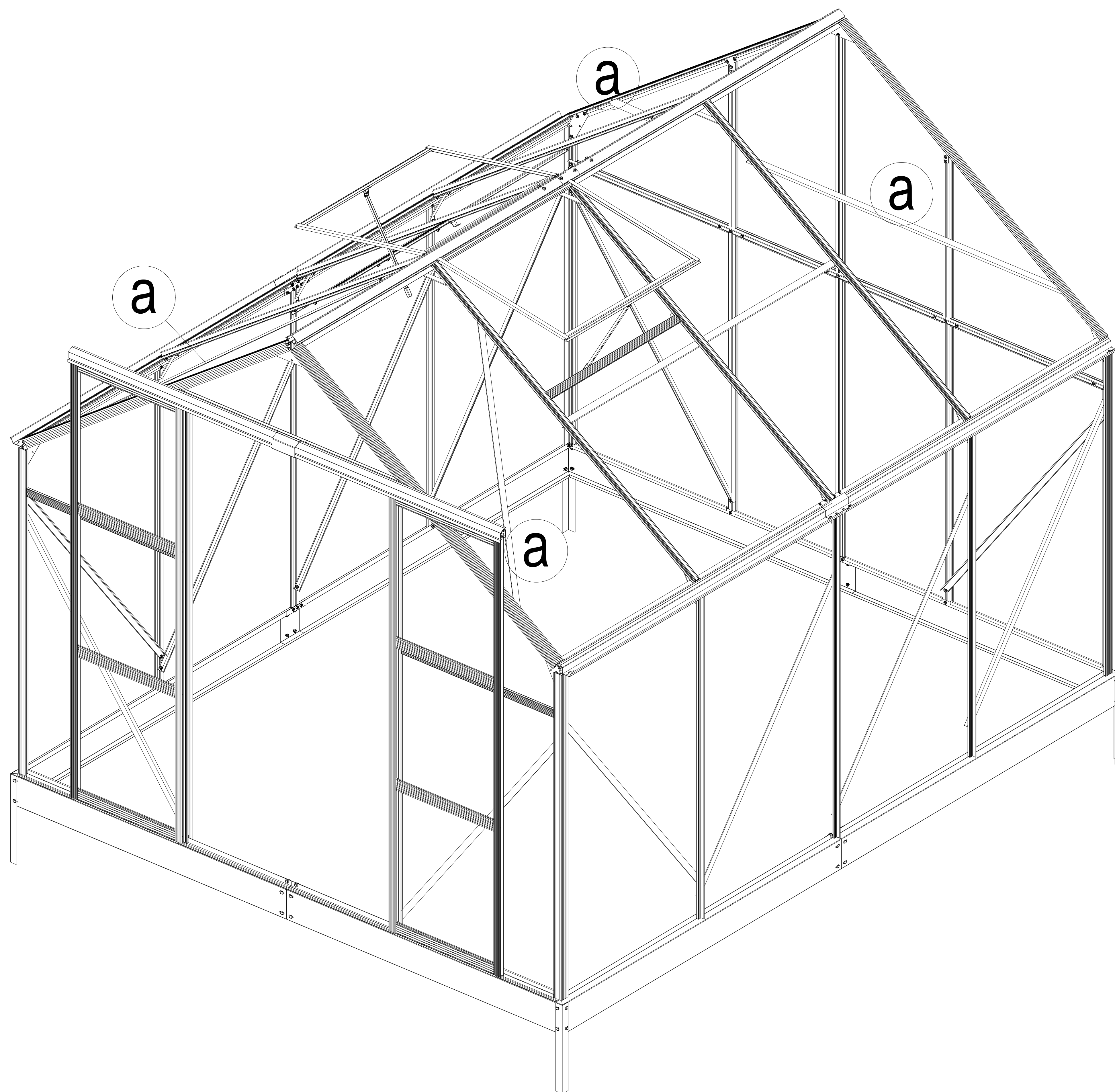
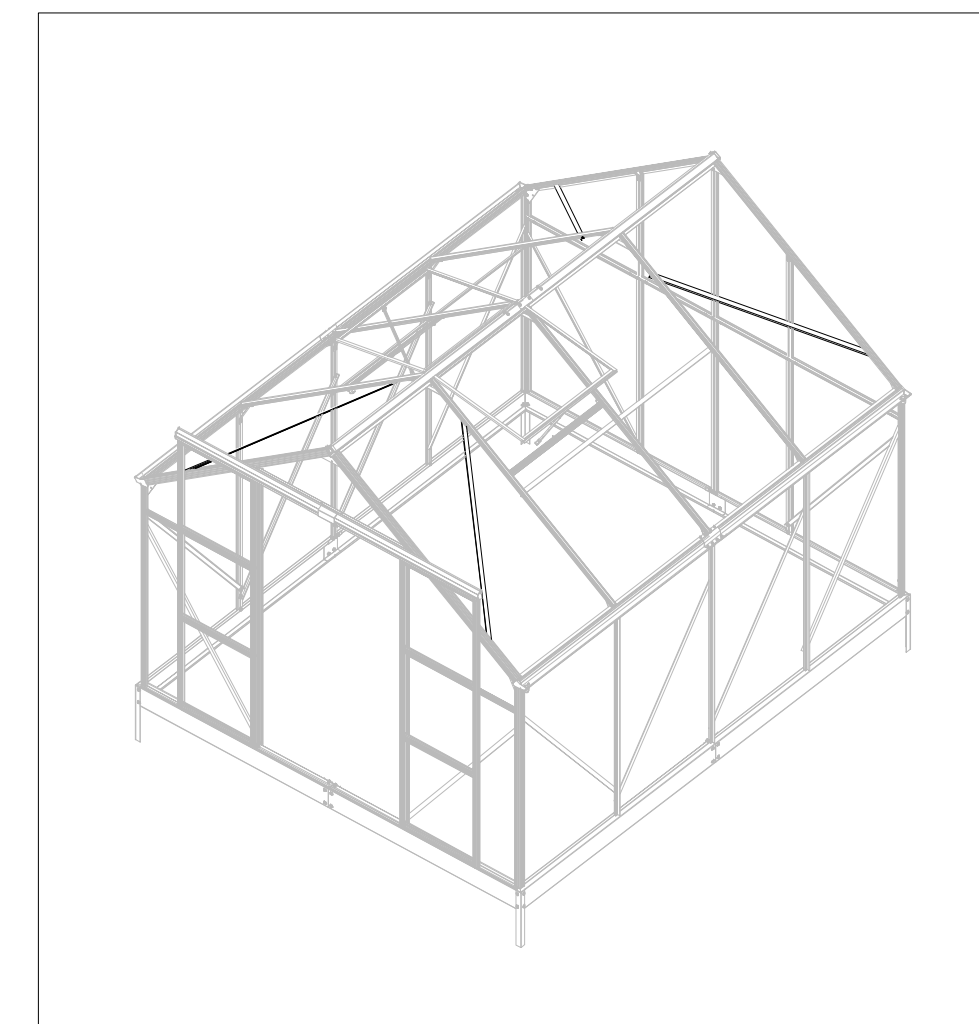
22x8



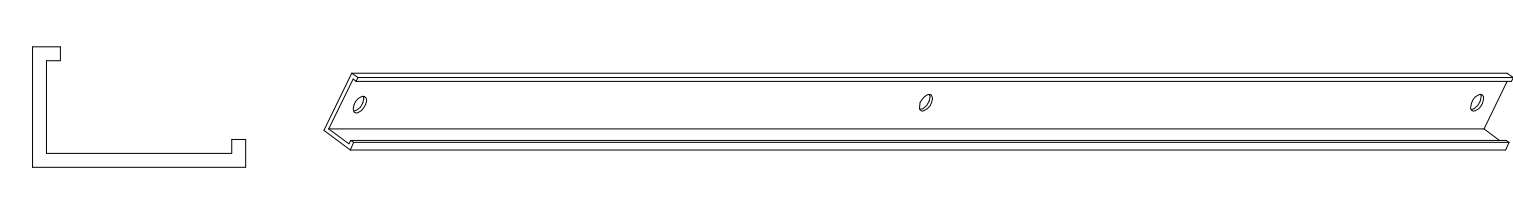


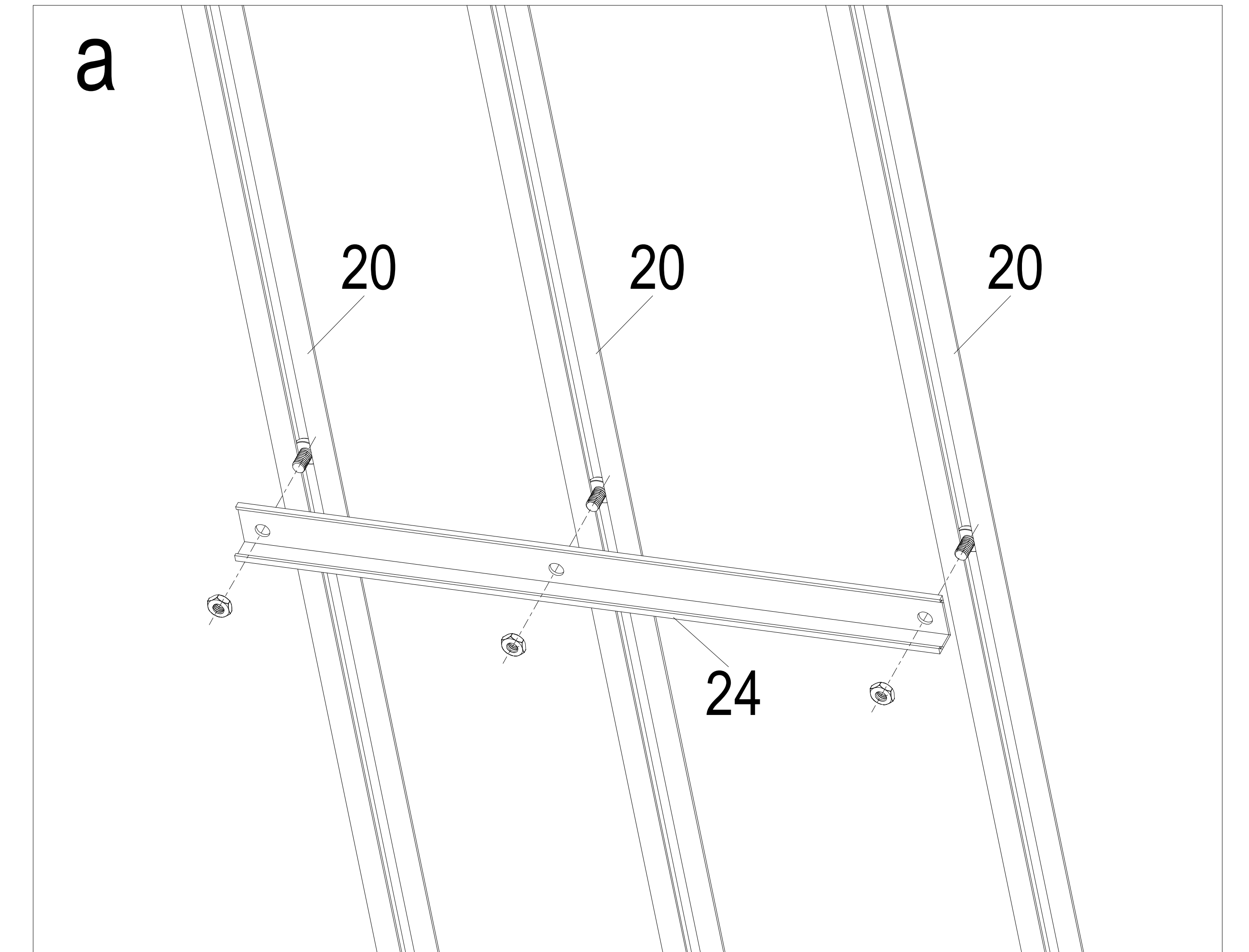
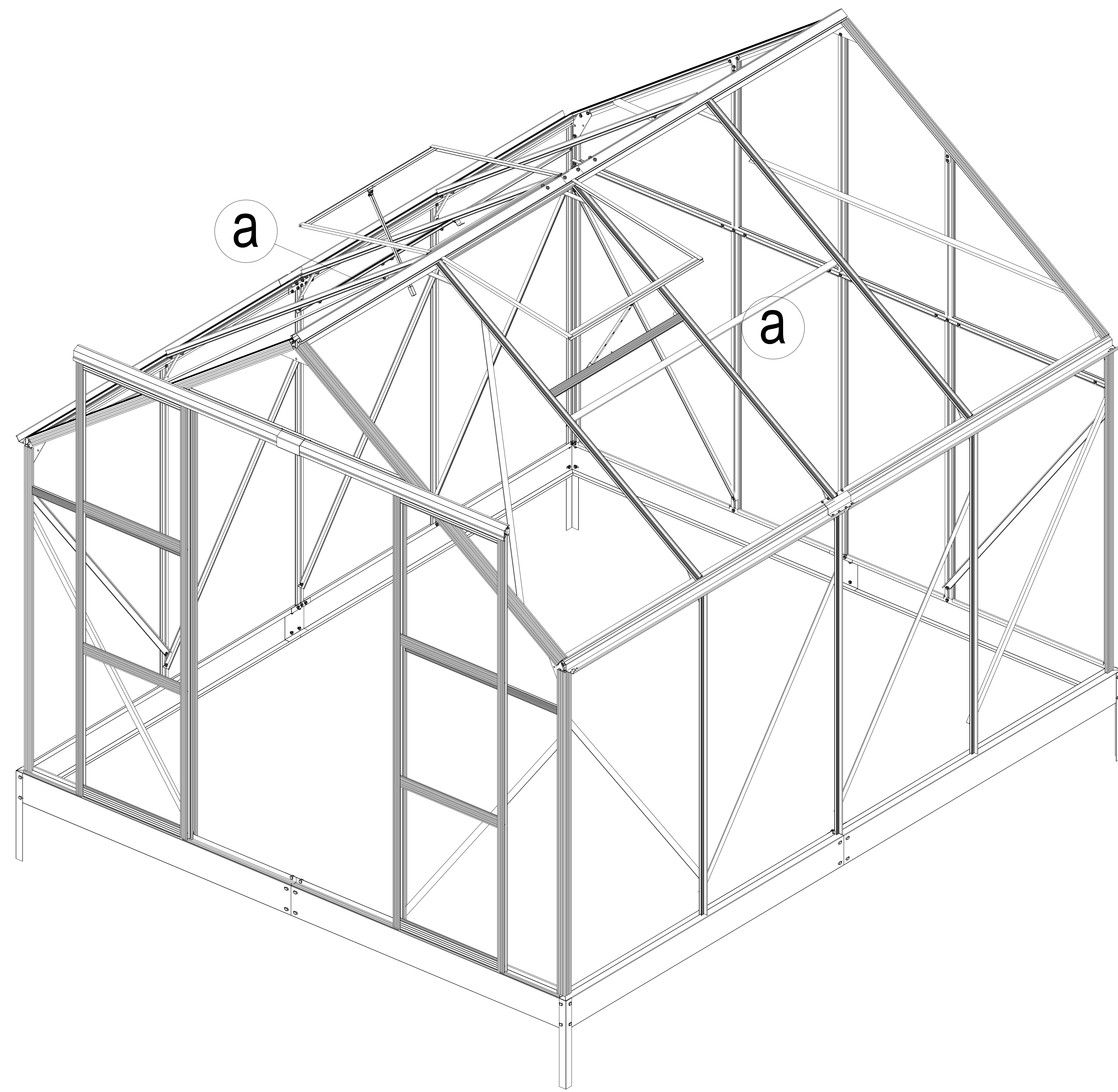
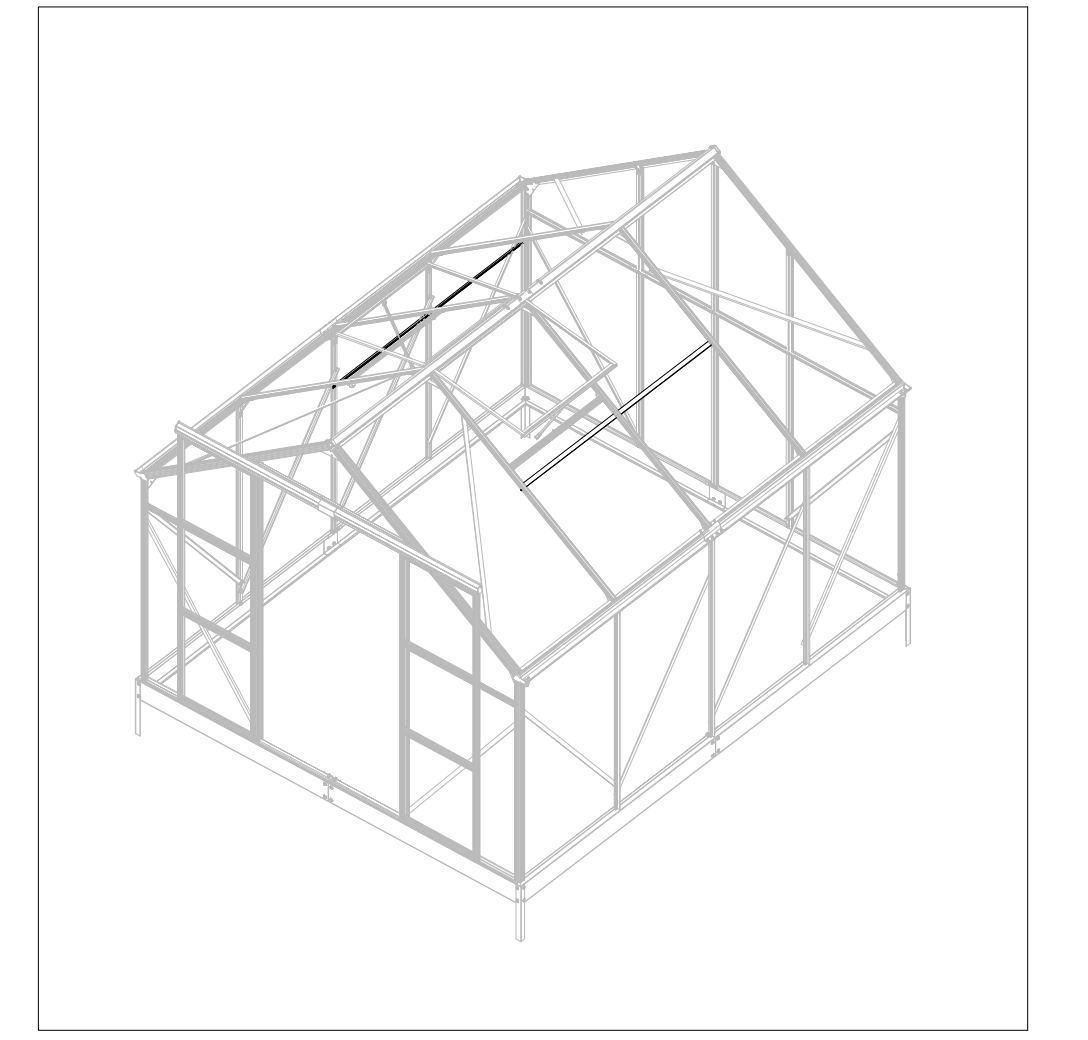
# Roof

23x4  



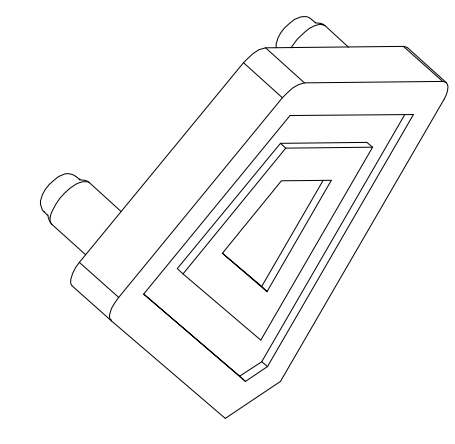
# Roof

24x2 

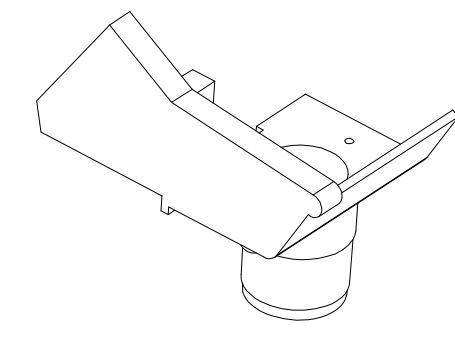




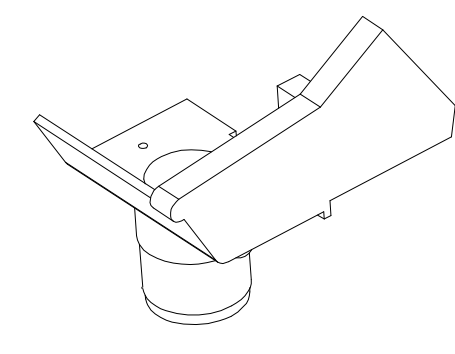
# Roof



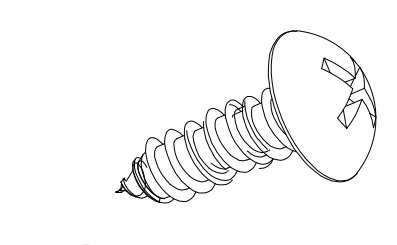
S5x2



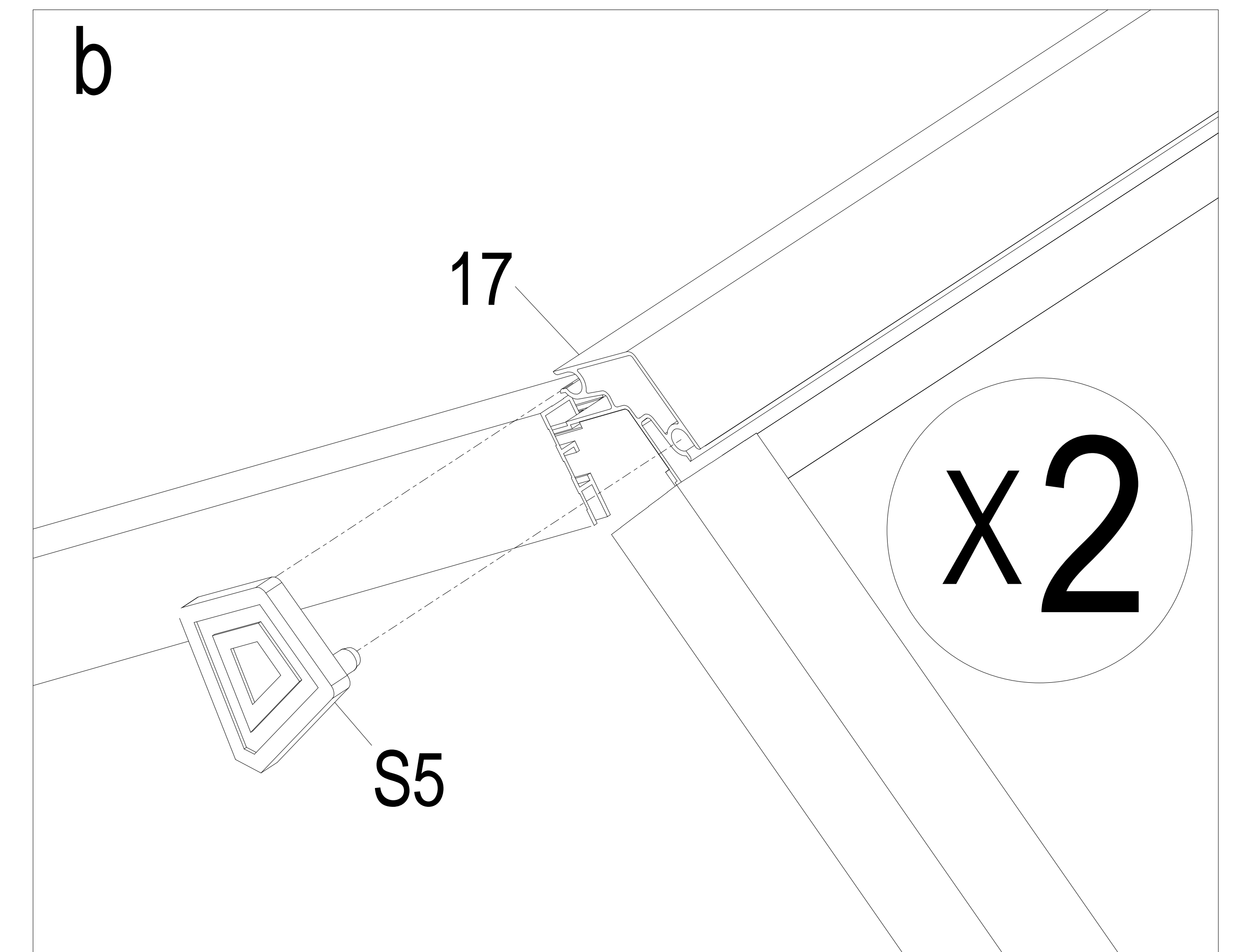
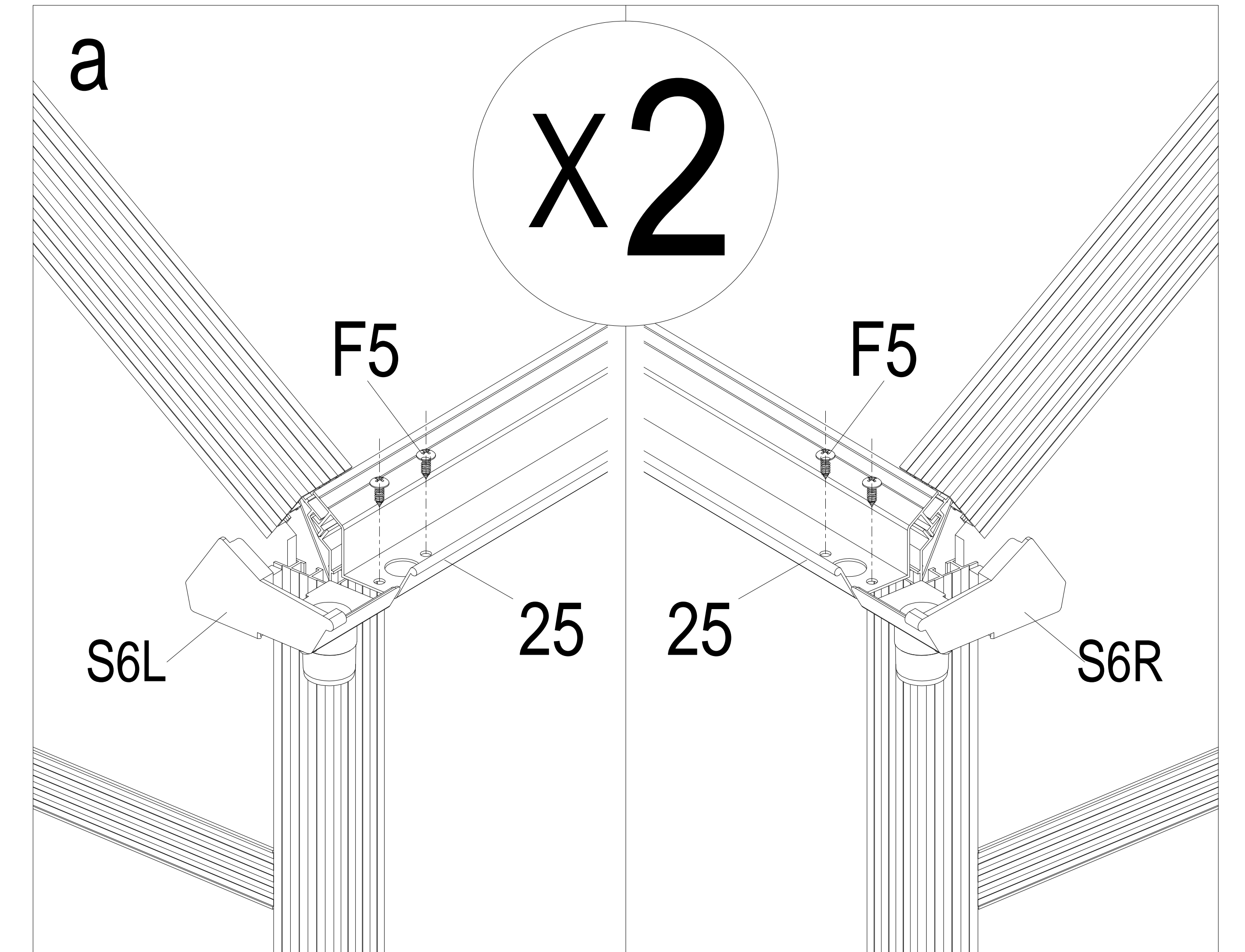
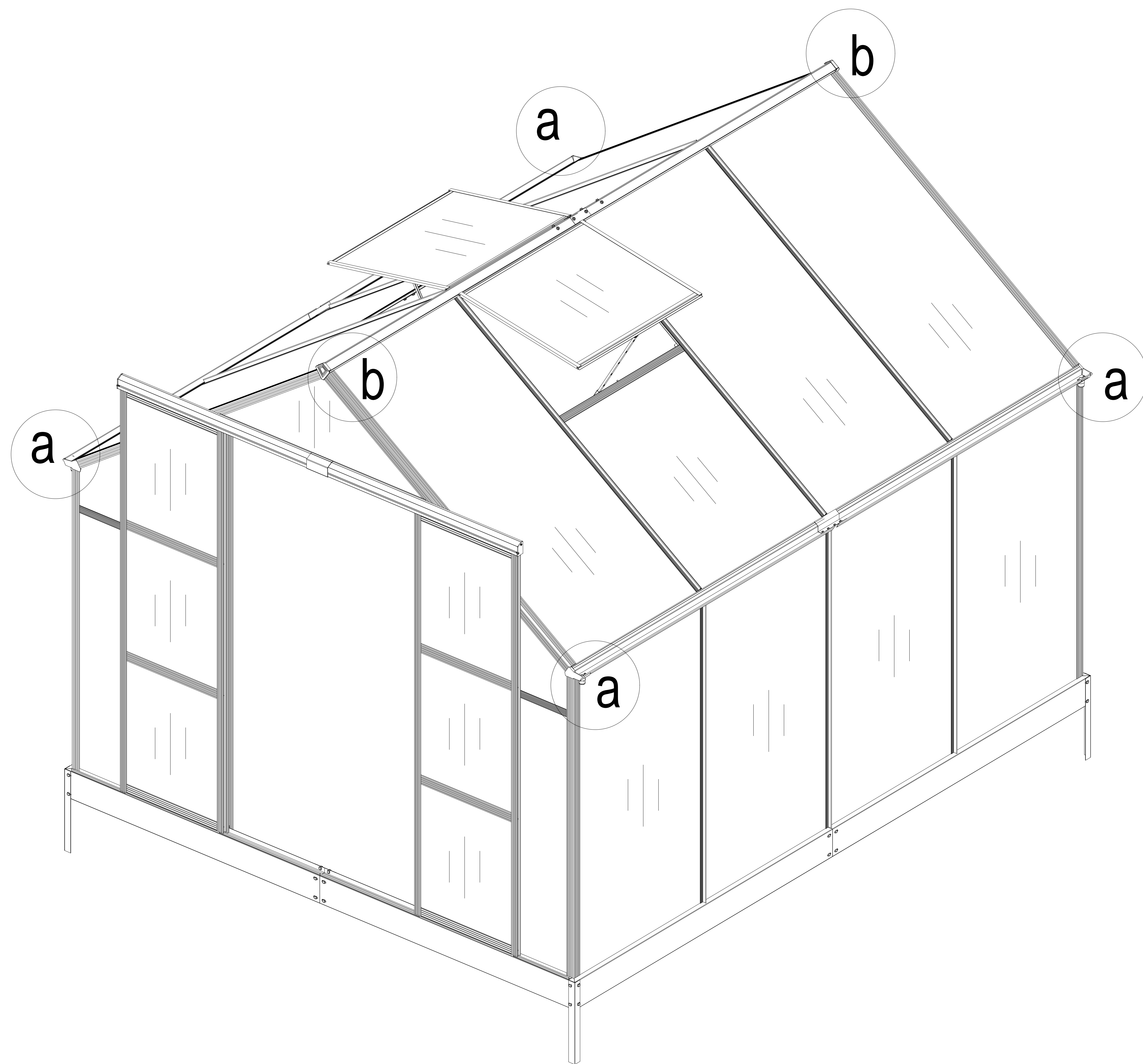
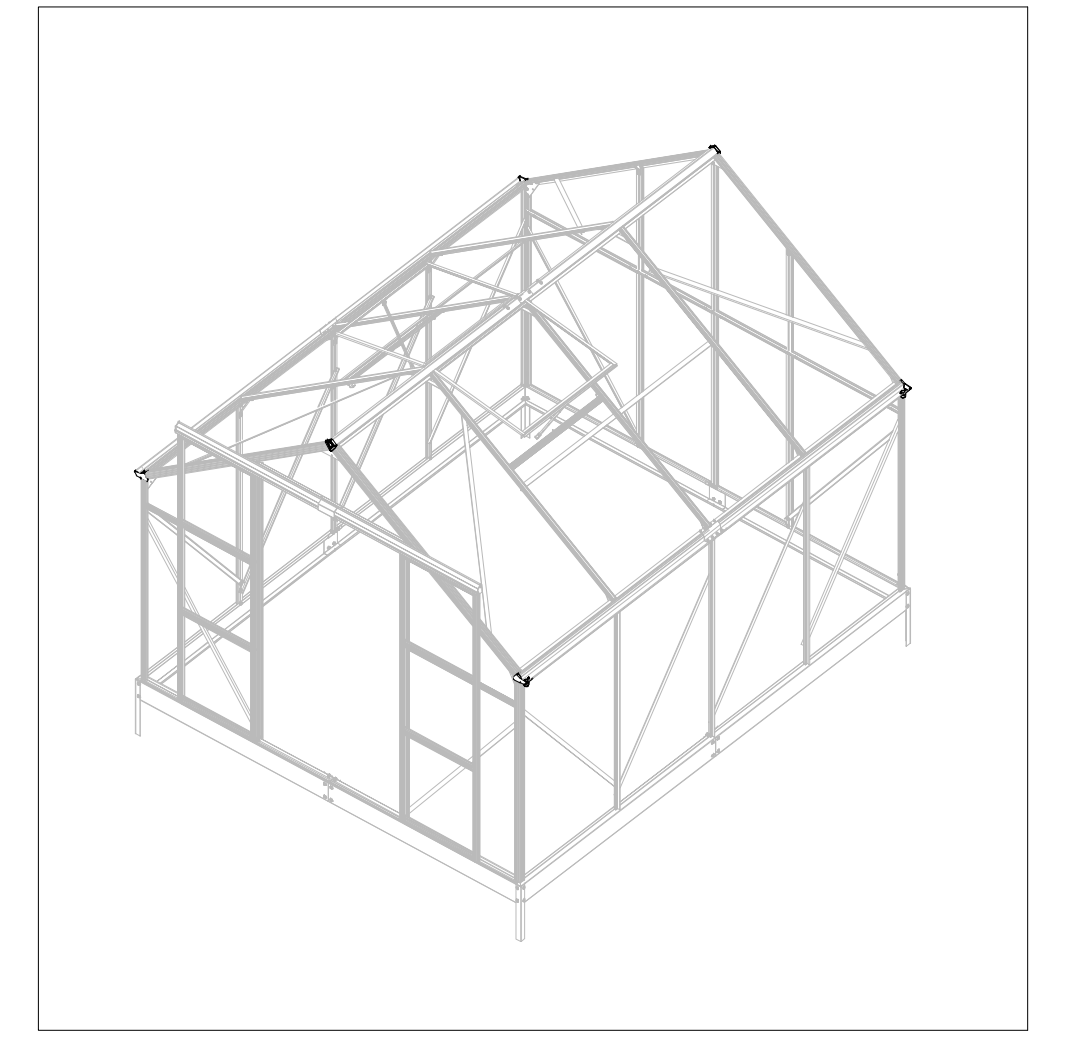
S6Lx2



S6Rx2

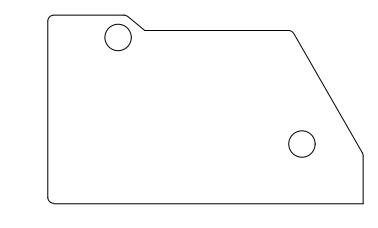


(ST4.2x8)  
F5x8

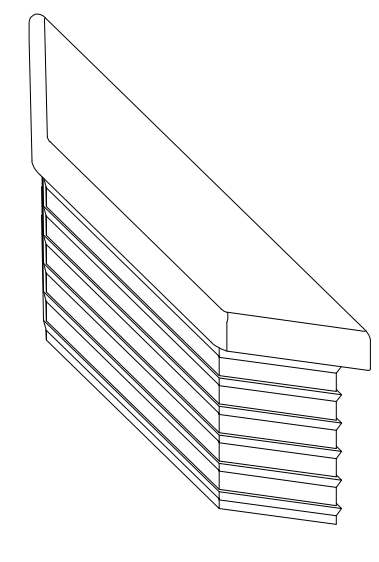




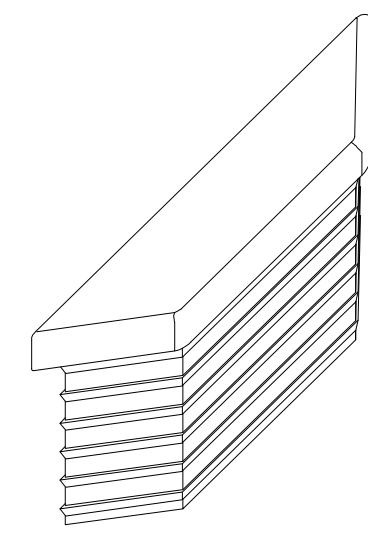
# Roof



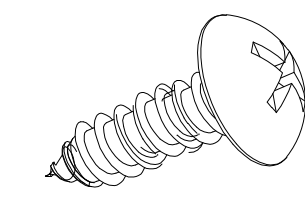
S7x2



S4Lx1



S4Rx1



(ST4.2x8)  
F5x4

