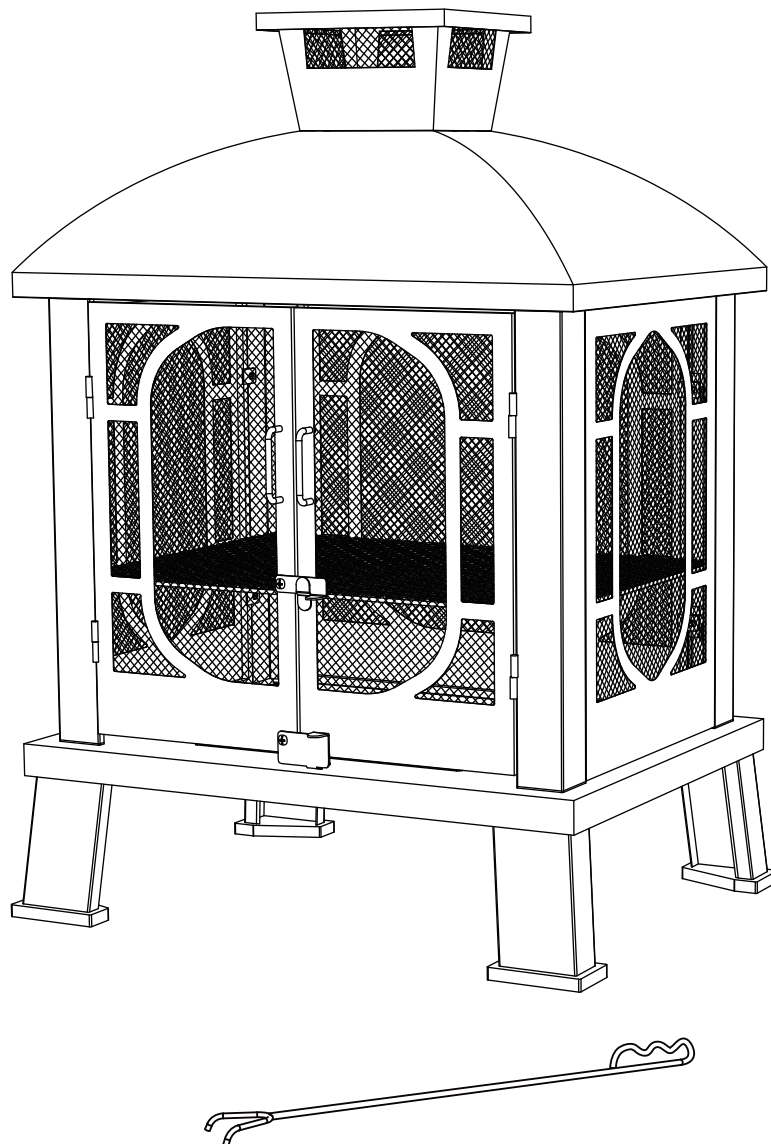


Assembly Instructions

44" Pagoda Wood Burning Firepit with grill



- About installation
- About usage
- About product
- About return
- Others




After-sale mail: support@fissfire.com
Any problems, please contact us.
We will help you within 24 hours.

SAFETY INFORMATION

Please read and understand this entire manual before attempting to assemble, operate or install the product.

WARNING FOR YOUR SAFETY

- The fire pit is intended for outdoor use only, never burn in vehicles, tents or indoor.
- The fire pit is intended for burn wood logs only.
- Do not use on wooden decks.
- Do not burn coal, leaves, or other combustible materials in the fire pit.
- Keep away from combustible materials.
- Not for use by children. Keep children and pets away from the fire pit.
- The fire pit is hot. Use with caution.
- Do not touch the hot fire pit with bare hands.
- Never leave the burning fire pit unattended, and always extinguish the fire completely.
- Do not use fire pit near flammable or combustible objects or materials.
- When the fire pit is in use, the handle on front screen panel can reach extreme temperatures that can cause serious injury to an unprotected hand.
- Use a poker or an appropriate heat resistant glove or pad when handling.
- The poker handle may become hot during and after use.
- Check local fire regulations and municipal by-laws for safe use.
- Some parts may contain sharp edges-especially as noted in the manual.
- Wear protective gloves if necessary.

 **WARNING:** This product can expose you to chemicals including carbon monoxide and carbon black, which are known to the State of California to cause cancer and birth defects or other reproductive harm. For more information go to www.P65Warnings.ca.gov.

Operating Instruction:

WARNING: Before using this outdoor fire pit, make sure you have read, understand and are following all information provided in the important Safeguards presented on page 2. Failure to follow those instruction can cause death, serious injury or property damage.

Lighting Instructions:

CAUTION: DO NOT add gasoline, kerosene, diesel fuel, lighter fluid or alcohol to relight or enhance an existing fire.

WARNING: DO NOT burn over 5 lbs. untreated wood or fire logs in this fire pit.

Tending the fire:

You may need to shift and/or add logs for an ideal experience.

CAUTION: DO NOT place hot fire pit tools onto combustible surfaces such as grass, wooden deck or furniture.

1. Using heat resistant gloves and long handled fire pit tools, carefully remove the spark guard.
2. While using a long handled fire pit tool, shift coals and logs to allow additional airflow.

SAFETY INFORMATION

CAUTION: Do NOT add gasoline, kerosene, diesel fuel, lighter fluid or alcohol to relight or enhance an existing fire.

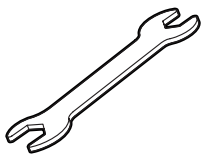
3. Wait until glowing coals have developed before adding any additional wood. If additional wood is required, place wood on top of coals. Be careful not to shift ashes.
4. Using heat resistant gloves and long handled fire pit tool. Carefully replace the spark guard.

Extinguishing:

1. Allow fire to burn itself out.
2. Do NOT use water to extinguish as this is dangerous and can cause damage to the outdoor fire pit.

Pre-Assembly

TOOLS REQUIRED (NOT INCLUDED)



Wrench



Phillips
screwdriver

HARDWARE INCLUDED



NOTE: Hardware not shown to actual size.



AA



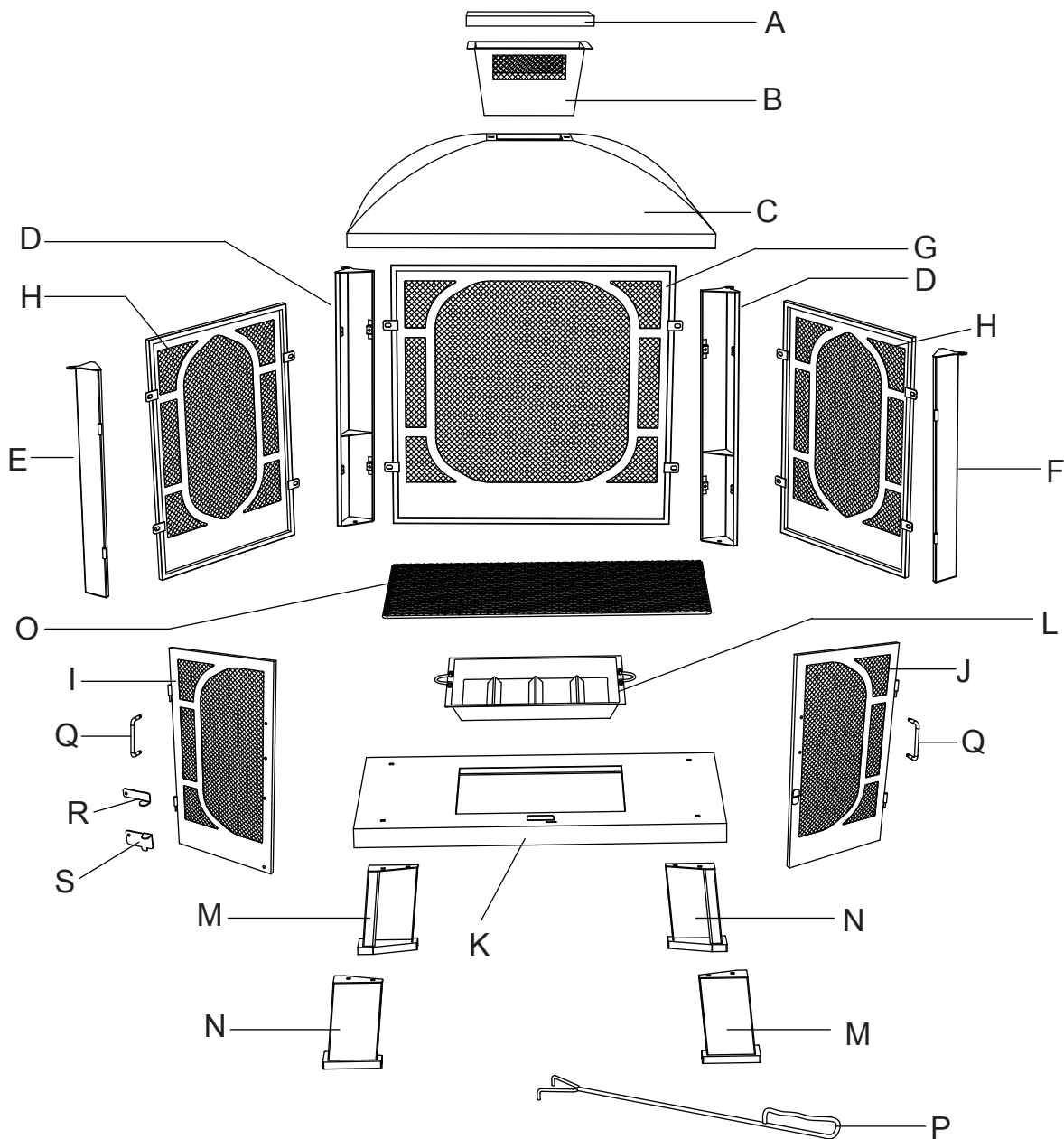
BB



CC

Part	Description	Quantity
AA	M6 x 10 mm Bolt	32
BB	M5 Nut	4
CC	M6 Nut	1

Parts List



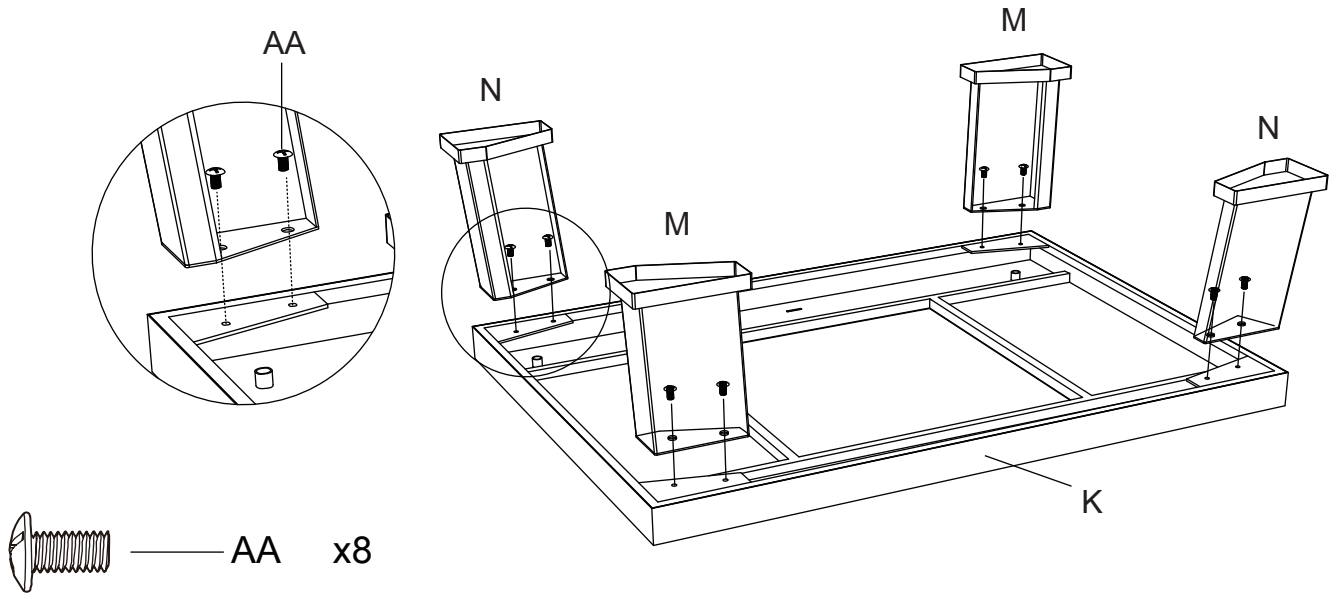
No.	PARTS	Qty
A	Chimney Cover	1
B	Top	1
C	Hood	1
D	Back Support	2
E	Front Left Support	1
F	Front Right Support	1
G	Back Screen Panel	1
H	Side Screen Panel	2
I	Front Left Screen Panel	1
J	Front Right Screen Panel	1

No.	PARTS	Qty
K	Base	1
L	Fire Bowl	1
M	Leg 1	2
N	Leg 2	2
O	Cooking Grate	1
P	Poker	1
Q	Handle	2
R	Support 1	1
S	Support 2	1

Assembly Instructions

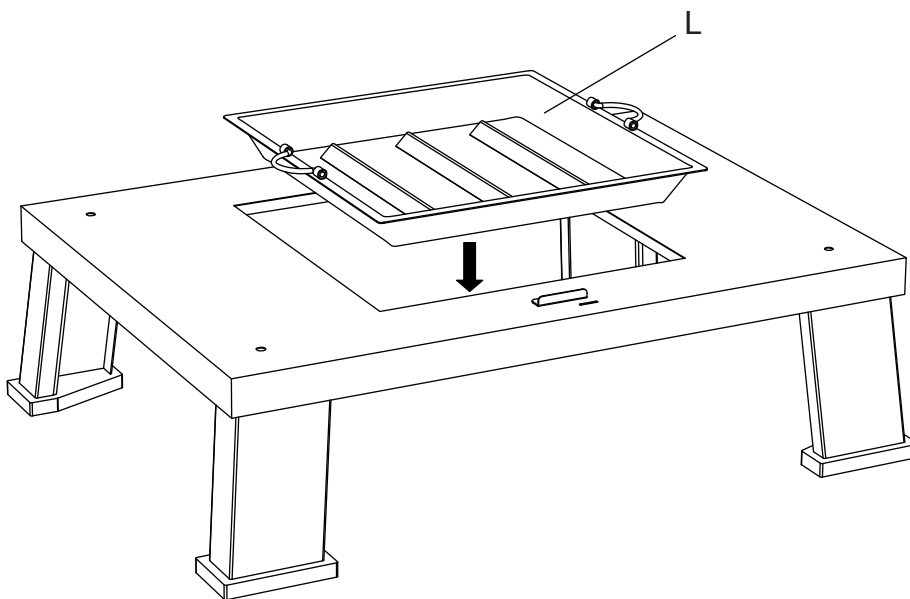
Note: Assemble the fire pit on a non-abrasive surface. Some parts may contain sharp edges- especially as noted in the manual. Please wear protective gloves.

Step 1: Attach Legs (M, N) to Base (K) by using eight (8) M6 x 10mm bolts (AA).



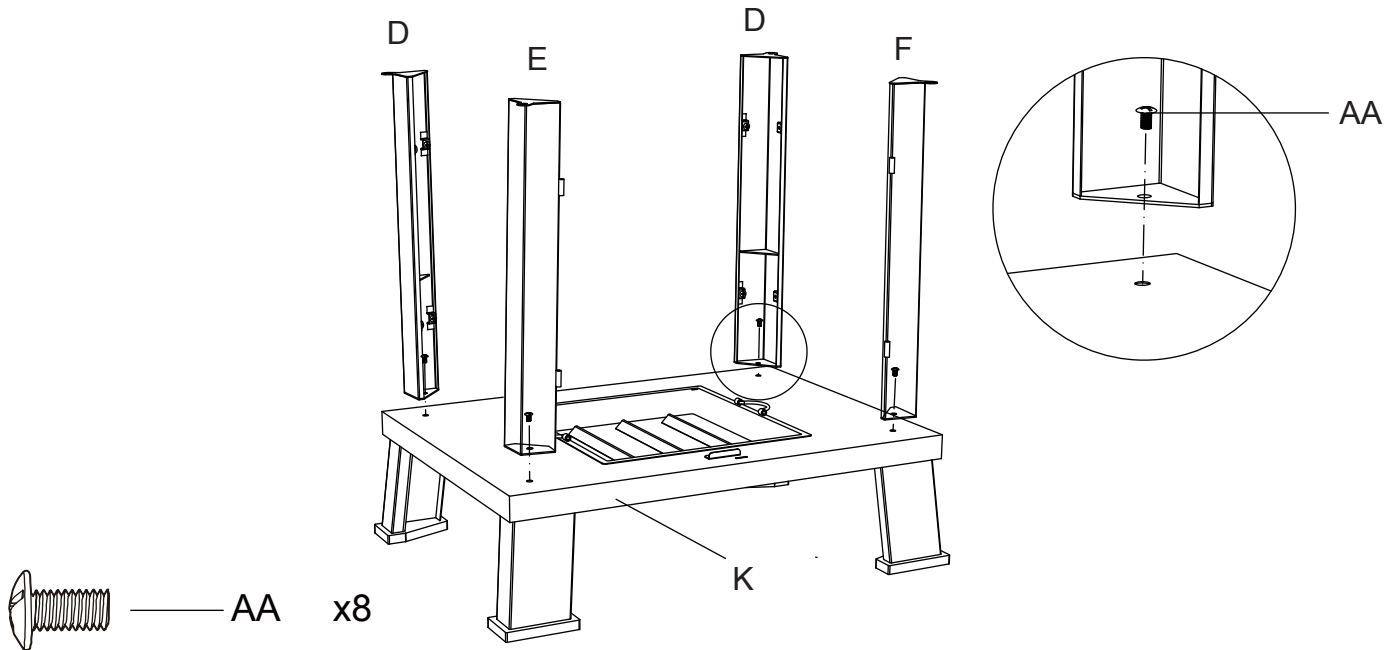
Note: Please tighten the hardware at this step.

Step 2: Turn over the assembled base, put Fire Bowl (L) onto the base.



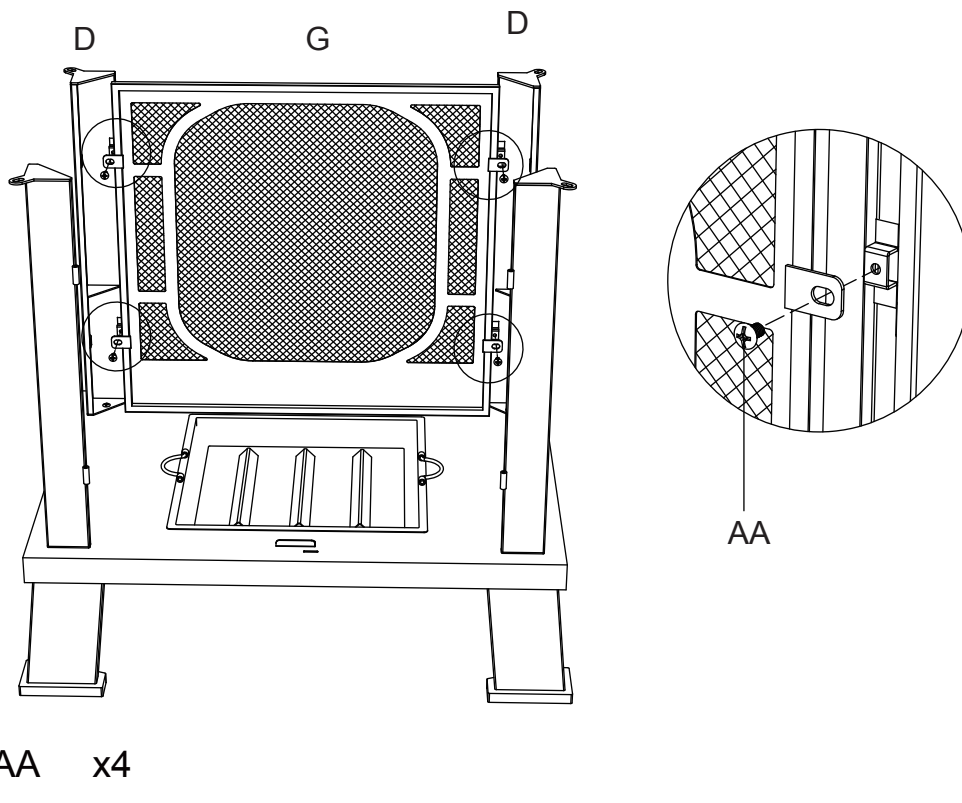
Assembly Instructions

Step 3: Attach Back Support (D), Front Left Support (E), Front Right Support (F) to Base (K) by using four (4) M6 x 10mm bolts (AA).



Note: Please DO NOT tighten the hardware at this step.

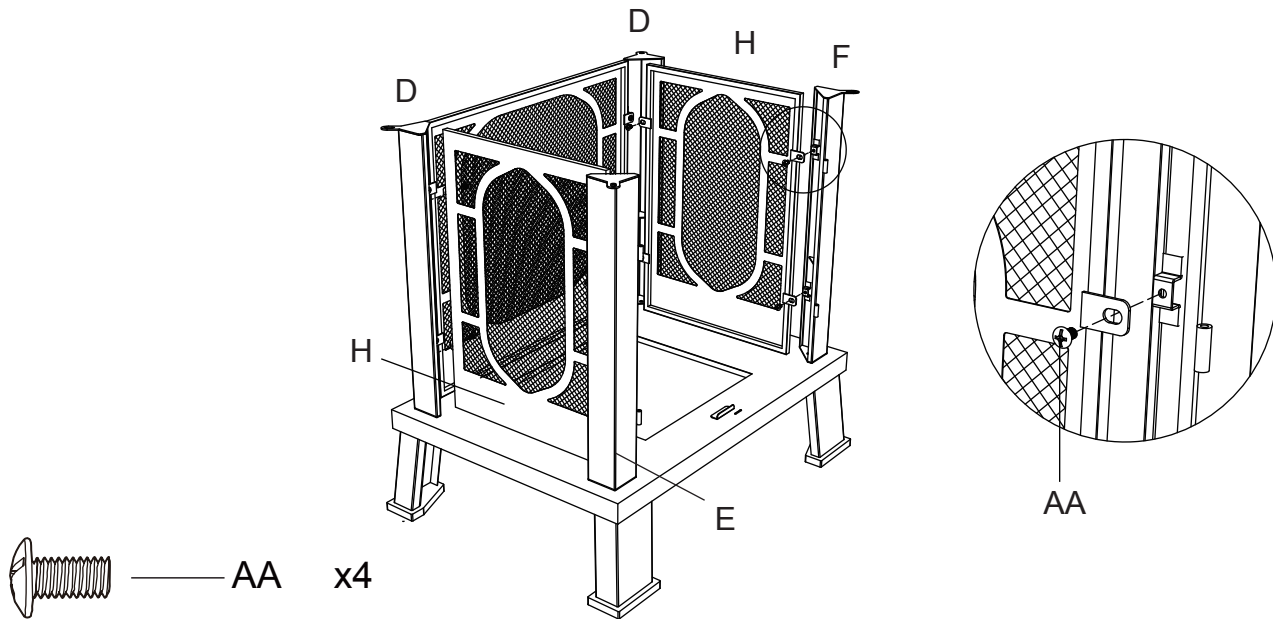
Step 4: Attach Back Screen Panel (G) to Back Support (D) by using four (4) M6 x 10mm bolts (AA).



Note: Please DO NOT tighten the hardware at this step.

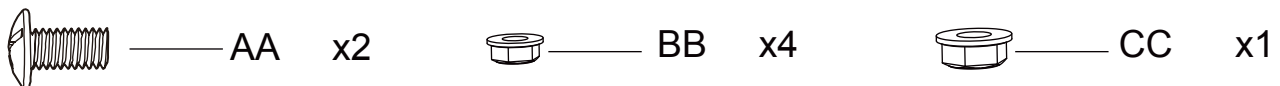
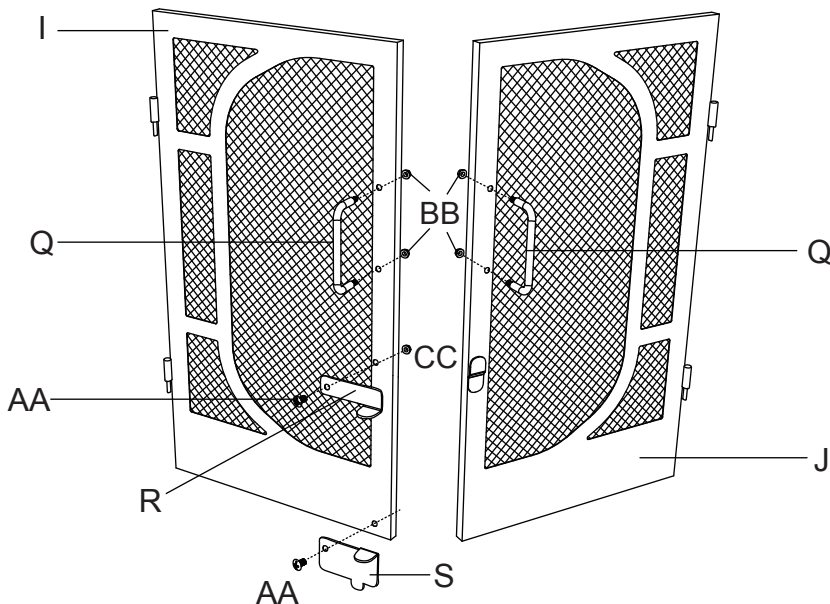
Assembly Instructions

Step 5: Attach Side Screen Panel (H) to Front Left Support (E), Front Right Support (F), Back Support (D) by using eight (8) M6 x 10mm bolts (AA).



Note: Please DO NOT tighten the hardwares at this step.

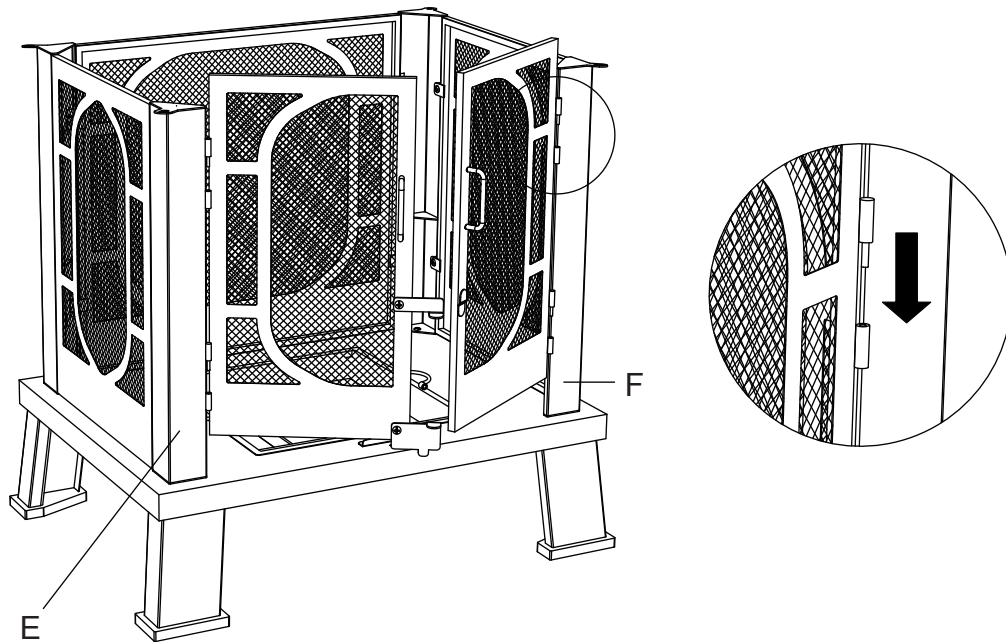
Step 6: Attach Handle (Q) to Front Left Screen Panel (I), Front Right Screen Panel (J) by using four (4) M5 nut (BB). Attach Support 1 (R) to Front Left Screen Panel (I) by using one (1) M6 x 10mm bolt (AA) and one (1) M6 nut (CC). Attach Support 2 (S) to Front Left Screen Panel (I) by using one (1) M6 x 10mm bolt (AA).



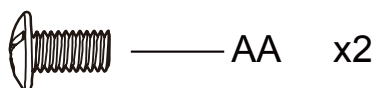
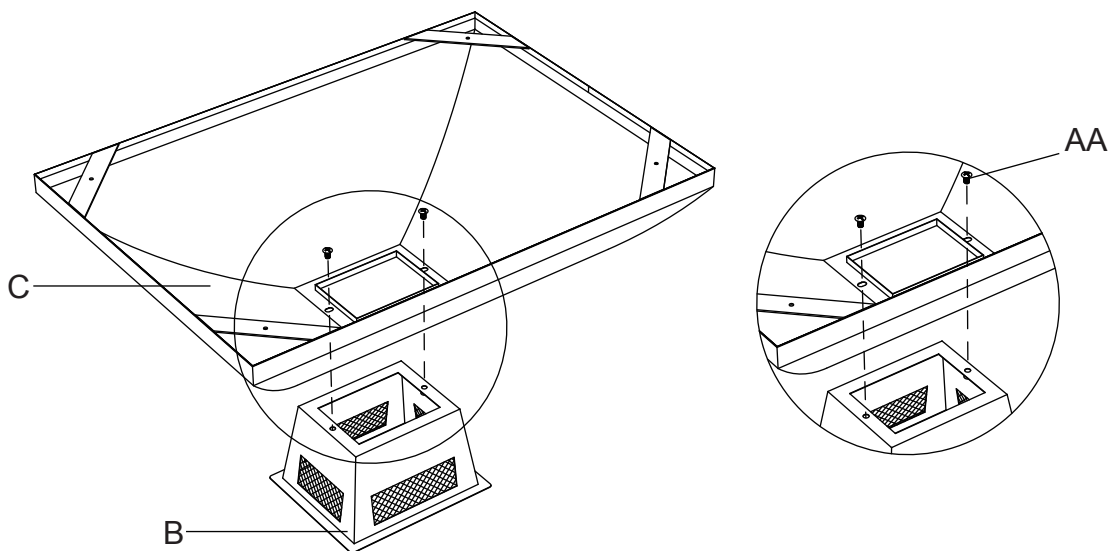
Note: Please tighten the hardwares at this step.

Assembly Instructions

Step 7: Slide the hinge of Front Screen Panel (I, J) to Front Support (E, F).



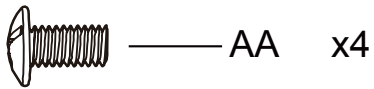
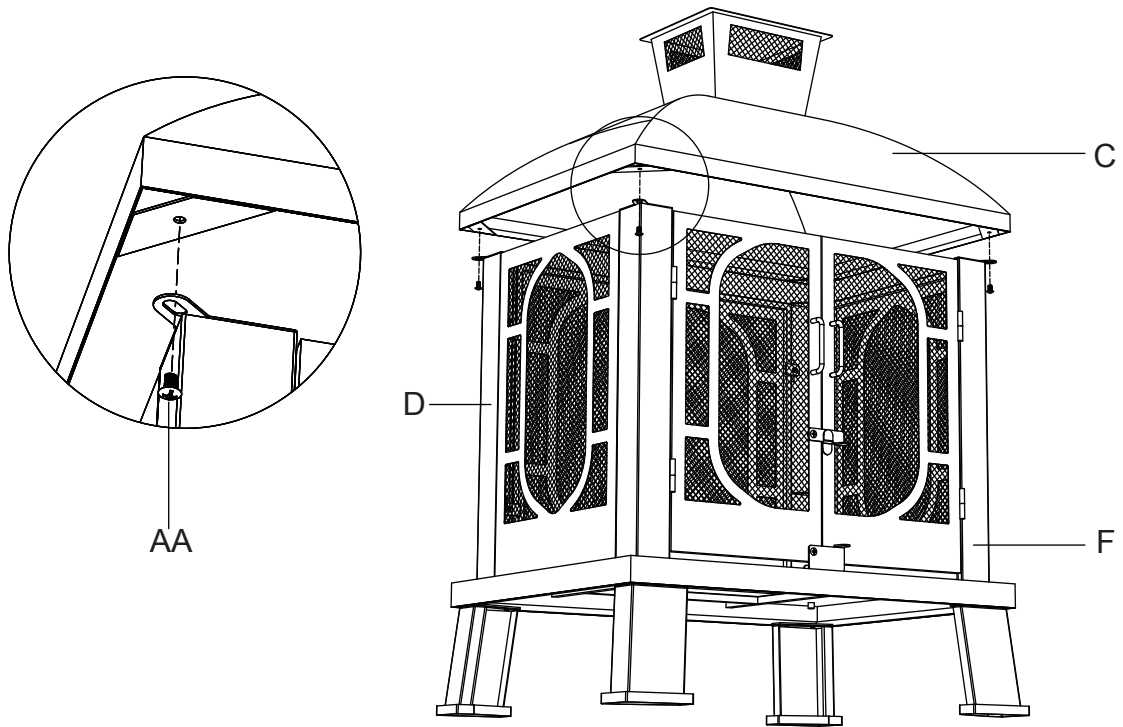
Step 8: Attach Hood (C) to Top (B) by using two (2) M6 x 10mm bolts (AA).



Note: Please tighten the hardwares at this step.

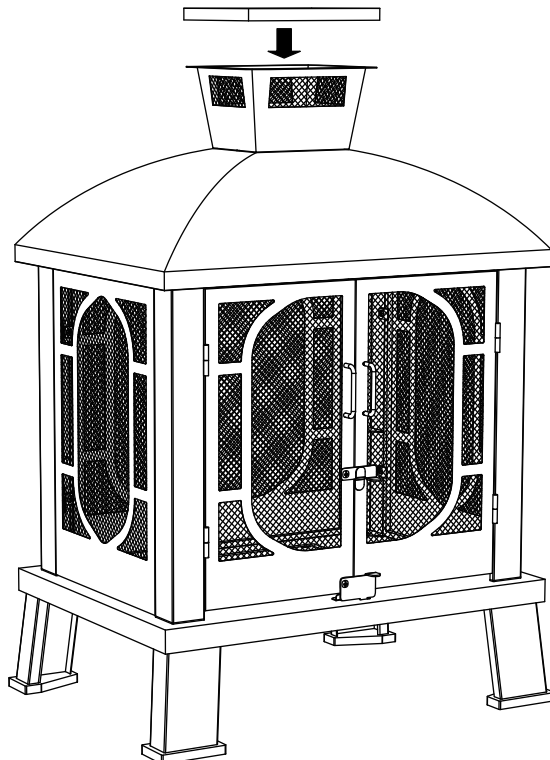
Assembly Instructions

Step 9: Attach Hood (C) to Back Support (D), Front Left Support (E), Front Right Support (F) by using four (4) M6 x 10mm bolts.



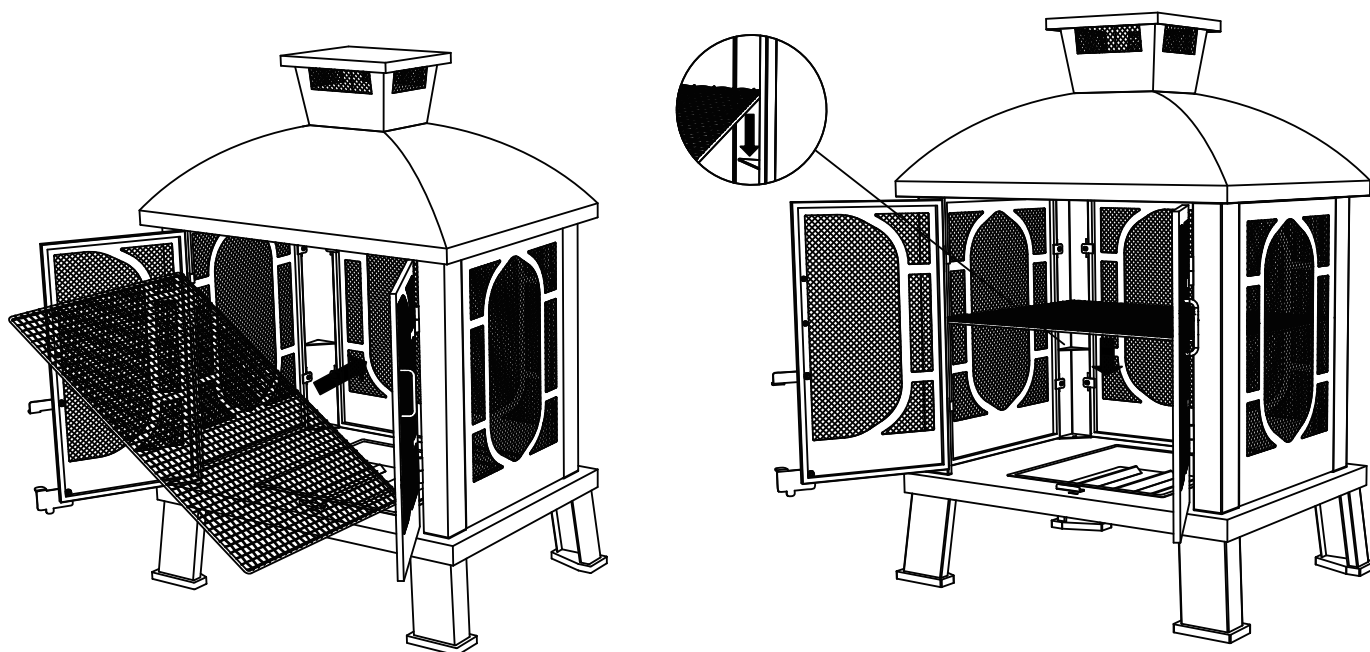
Note: Please DO NOT tighten the hardware at this step.

Step 10: Place Chimney Cover (A) onto Top (B).

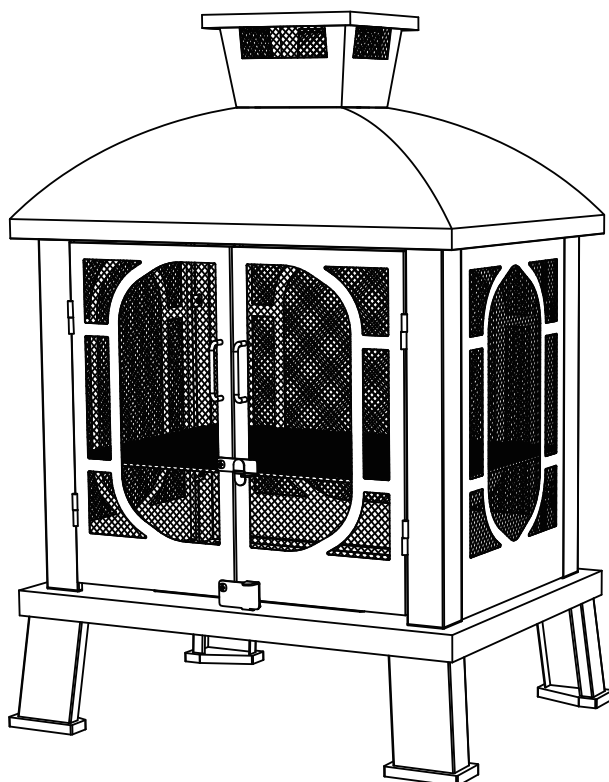


Assembly Instructions

Step 11: Put Cooking Grate (O) onto the bracket of the Support (D, E, F).



Step 12: Please tighten all hardware. Put Wood Grate (P) around the fireplace for use. Now the assembly is complete.



MAINTENANCE

- To extend the life of your fire pit, clean it after each use.
- To Protect fire pit finish, use a soft cloth in lieu of bare hands while handling.
- Clean the fire bowl after each use once ashes have cooled.

CARE AND CLEANING

- Do not attempt to clean the fire pit until the fire is completely out and cooled completely.
- Use a soft cloth to wipe the fire pit and poker.
- Do not attempt to clean while hot.

STORAGE

- Do not attempt to move the fire pit while it is hot or in use.
- Store assembled fire pit in a cool, dry location away from children and pets.
- Keep the fire pit covered when cooled and not in use.

Welcome to share any pictures or videos about this fire pit!