

# Product Manual

## 19 inch Fire Pit



- About Product
- About Usage
- About User Warnings

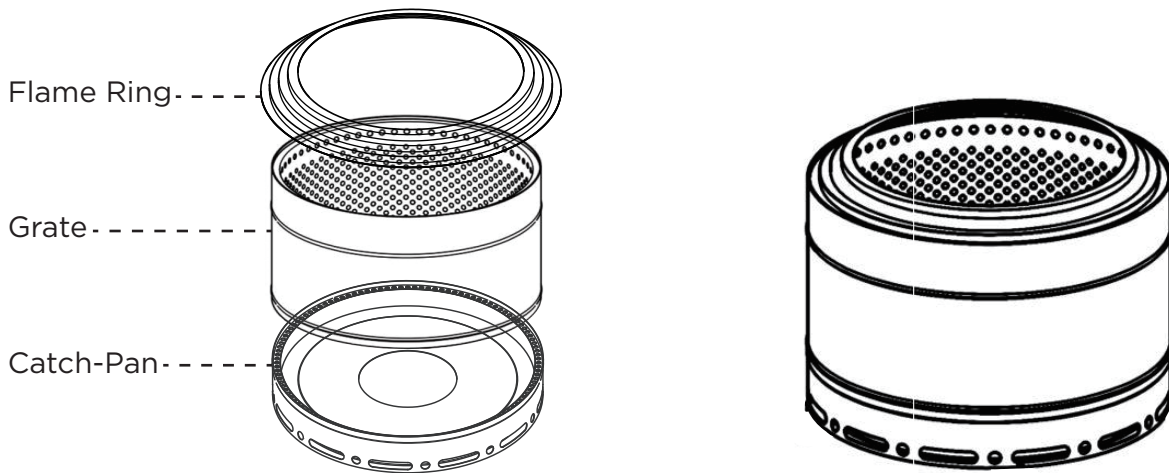


After-sale mail: [support@surestove.com](mailto:support@surestove.com)  
Any problems, please contact us.  
We will help you within 24 hours.

Revision Date : 20230612

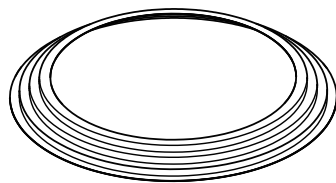
## PRODUCT INTRODUCE

Important - Please read these instructions fully before starting assembly

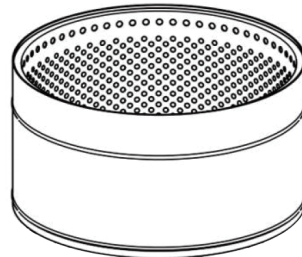


## PART LIST

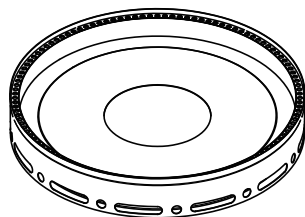
Please check you have all the parts listed below:



Flame Ring x1



Grate X 1



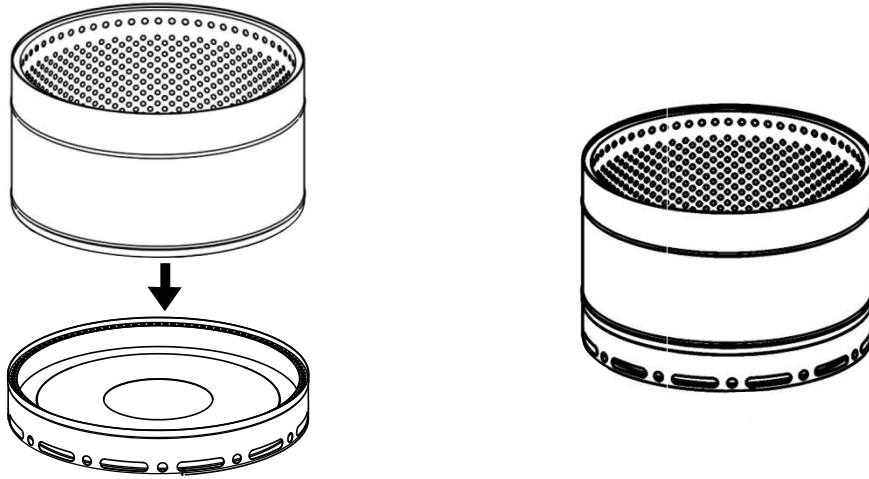
Catch-Pan X 1



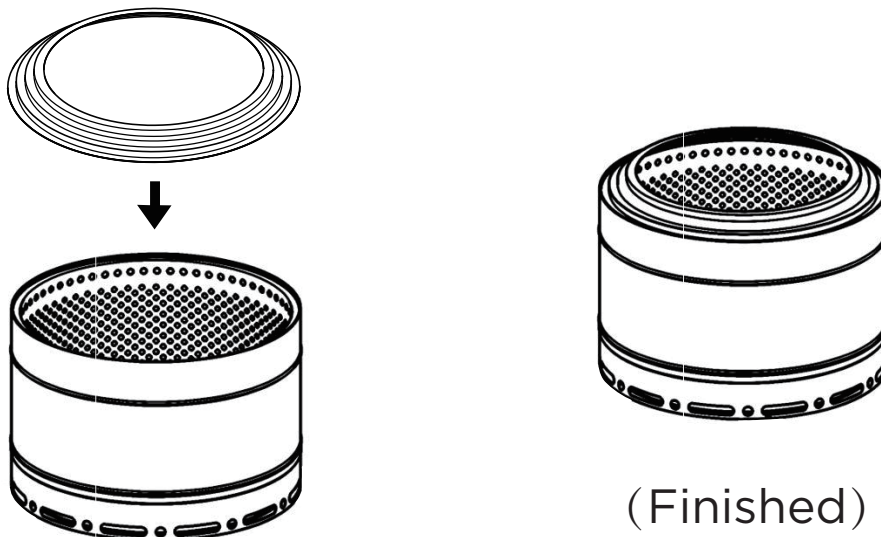
Manual X 1

**ASSEMBLY INSTRUCTIONS:**

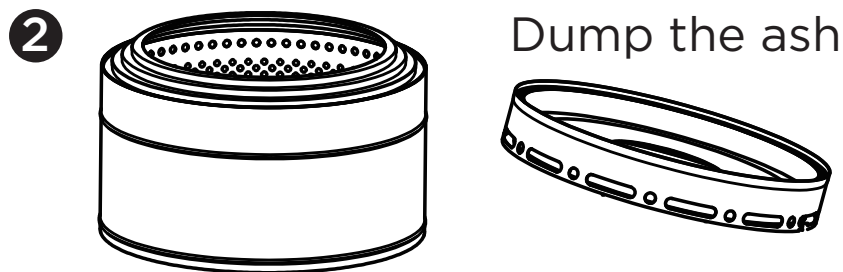
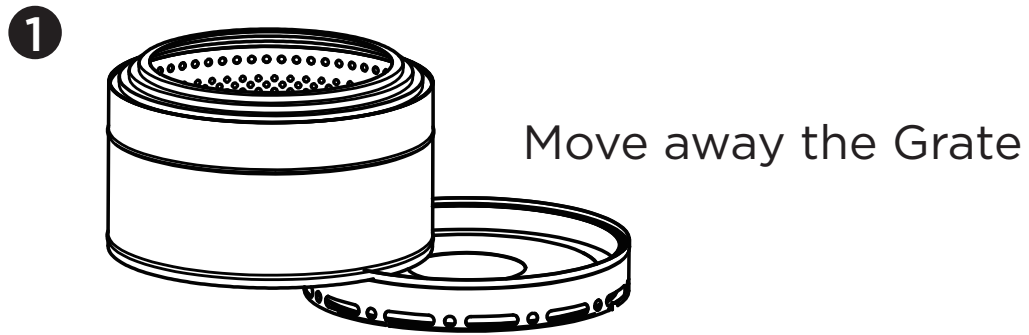
**Step 1:** Lay the “Grate” on top of the “Catch-Pan”. (Stacking flammable items, like wood, paper scraps, etc. in the middle of the Fire Pit.)



**Step 2:** Lay the “Flame Ring” on top of the “Grate”.



**Step 3:** After the Fire Pit has completely cooled down, lift the “Grate” and directly dump the remaining ash from the “Catch-Pan”, easy to clean.



**TIPS:**

1. When you first use your Fire Pit, the unique double-wall airflow within the unit will take approximately 5-15 minutes to achieve full efficiency.
2. Overfilling the Fire Pit above the top air holes will decrease efficiency and will produce more smoke.
3. The stand protects your wood floor or lawn from the heat.
4. The Catch-Pan can make it easier for you to clean up ashes.
5. Store your Fire Pit in a cool and dry location. Prolonged exposure to harsh weather will increase rust and discoloration.

## **USER WARNINGS:**

1. Fire Pit is for outdoor use only and should not be used in a building, a garage, or any other enclosed area.
2. Fire Pit will be extremely hot when in use. Never attempt to touch or move it during use or before it has completely cooled down.
3. Do not use Fire Pit for indoor heating. Toxic carbon monoxide can accumulate and cause asphyxiation and possibly death.
4. Fire Pit is not to be operated by children. Fire Pit is not a toy.
5. Never leave Fire Pit unattended, especially when children and pets are nearby.
6. Fire Pit is not to be used in a boat or recreational vehicle.
7. Always use Fire Pit in accordance with all applicable local, state, and national codes. Contact your local fire department for details.
8. When using Fire Pit, exercise the same precautions you would with any open fire.
9. The use of alcohol, prescription, or non-prescription drugs may impair the consumer's ability to operate Fire Pit safely.
10. Do not use Fire Pit until you have read the operating instructions and user warnings.
11. Do not alter or modify Fire Pit in any manner.
12. Do not store or use LP gas cylinders within 30 feet of Fire Pit while it is in operation.
13. Do not use Fire Pit near automobiles, trucks, vans, or recreational vehicles.
14. Do not use Fire Pit in any explosive Keep the area around the Fire Pit clear and free of any combustible materials, gasoline, or any other flammable liquids.
15. Avoid using under or near any overhanging trees or shrubs.
16. Always use Fire Pit on a level noncombustible surface. Use wood or composite decks at your own risk.
17. Do not wear flammable or loose clothing when operating Fire Pit.
18. Do not use Fire Pit in windy conditions.
19. Do not use gasoline, kerosene, diesel fuel, lighter fluid, alcohol, or any other flammable liquid to light or relight Fire Pit.
20. Keep all electrical cords away from Fire Pit.
21. All surfaces of Fire Pit are extremely hot when in operation. To avoid burns and serious injury, do not touch Fire Pit until the fire is completely out and it has completely cooled. Never touch the coals or ash to see if they're still warm.

22. Do not attempt to move or store Fire Pit until all fire, coals, and ashes are completely extinguished and the unit has completely cooled.
23. Do not remove any coals or ash or clean the fire pit until the coals and ash are completely extinguished and the unit has completely cooled.
24. Do not lean over Fire Pit when lighting or when it is in use.
25. Avoid breathing smoke from the fire and avoid getting smoke in your eyes.
26. Fire Pit should be inspected and cleaned regularly after each use.
27. After a period of non-use, check Fire Pit for signs of damage and creosote buildup. Do not operate until necessary repairs and/or cleanup is done.
28. Do not use water to extinguish the fire as this could cause damage to the Bonfire as well as injury to the user.

**Serious injury, death, and/or property damage may occur if the above instructions are not followed exactly.**

