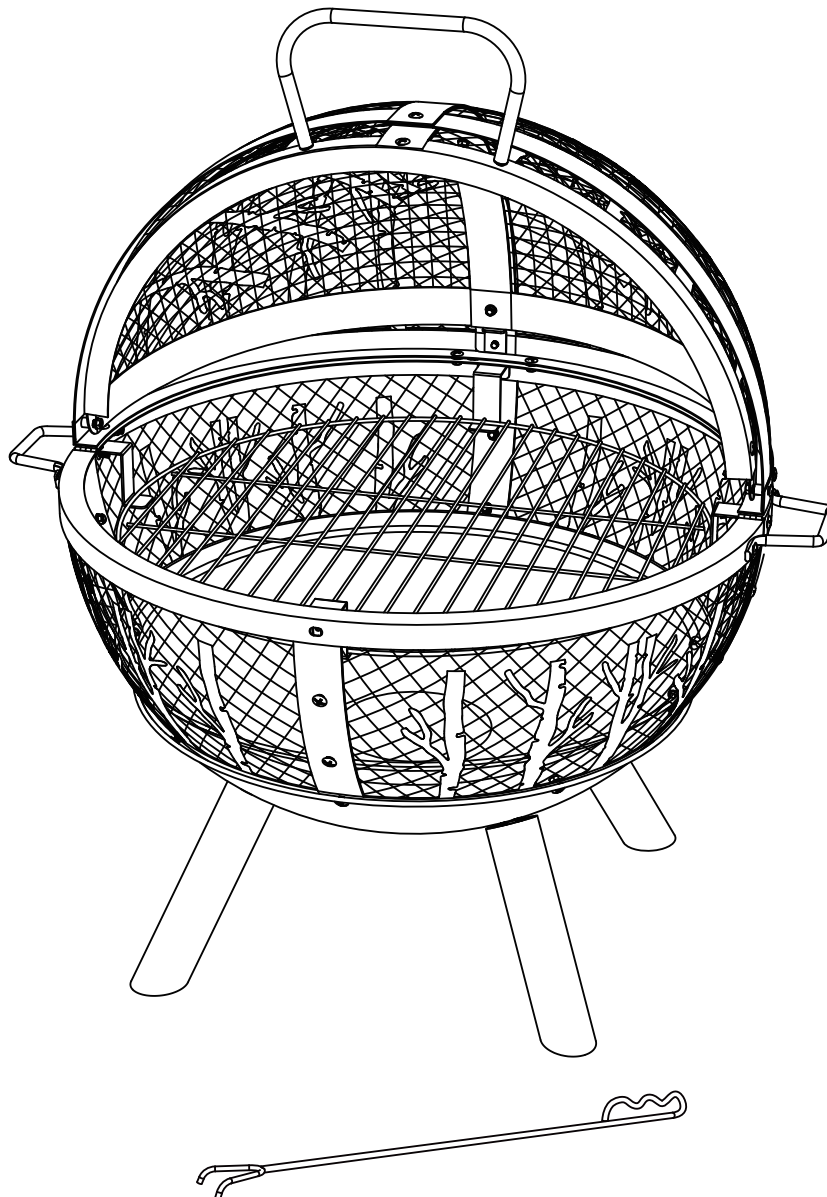


Assembly Instructions

35 Inch Fire Pit Sphere with Grill



- About installation
- About usage
- About product
- About return
- Others




After-sale mail: support@fissfire.com
Any problems, please contact us.
We will help you within 24 hours.

SAFETY INFORMATION

Please read and understand this entire manual before attempting to assemble, operate or install the product.

WARNING **FOR YOUR SAFETY**

- This fire bowl is intended for outdoor use only, never burn in vehicles, tents or indoor.
- This fire bowl is intended to burn wood logs only. Do not use on wooden decks. Do not burn coal, leaves, or other combustible materials in the fire bowl. Keep away from combustible materials.
- Not for use by children. Keep children and pets away from the fire bowl.
- The fire bowl is hot. Use with caution. Do not touch the hot fire bowl with bare hands.
- Never leave the burning fire bowl unattended, and always extinguish the fire completely.
- Do not use fire bowl near flammable or combustible objects or materials.
- When the fire bowl is in use, the handle on the mesh screen can reach extreme temperatures that can cause serious injury to an unprotected hand. Use a poker or an appropriate heat resistant glove or pad when handling.
- The poker handle may become hot during and after use.
- Check local fire regulations and municipal by-laws for safe use.
- Some parts may contain sharp edges—especially as noted in the manual. Wear protective gloves if necessary.

 **WARNING:** This product can expose you to chemicals including carbon monoxide and carbon black, which are known to the State of California to cause cancer and birth defects or other reproductive harm. For more information go to www.P65Warnings.ca.gov.

Operating Instruction:

WARNING: Before using this outdoor Fire pit , make sure you have read, understand and are following all information provided in the important Safeguards presented on page 2. Failure to Follow those instructions can cause death, serious injury or property damage.

Lighting Instructions:

CAUTION: Do NOT add gasoline, kerosene, diesel fuel, lighter fluid or alcohol to relight or enhance an existing fire.

WARNING: Do NOT burn over 5 lbs untreated wood or fire logs in this fire pit.

Tending the fire:

You may need to shift and/or add logs for an ideal experience.

CAUTION: Do NOT place hot fire pit tools onto combustible surfaces such as grass, wooden deck or furniture.

1. Using heat resistant gloves and long handled fire pit tools, carefully remove the spark guard.
2. While using a long handled fire pit tool, shift coals and logs to allow additional airflow.

SAFETY INFORMATION

CAUTION: Do NOT add gasoline, kerosene, diesel fuel, lighter fluid or alcohol to relight or enhance an existing fire.

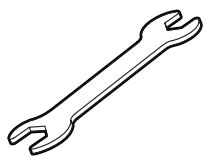
3. Wait until glowing coals have developed before adding any additional wood. If additional wood is required, place wood on top of coals. Be careful not to shift ashes.
4. Using heat resistant gloves and long handled fire pit tool. Carefully replace the spark guard.

Extinguishing:

1. Allow fire to burn itself out.
2. Do NOT use water to extinguish as this is dangerous and can cause damage to the outdoor fire pit.

Pre-Assembly

TOOLS REQUIRED



Wrench

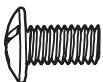


Phillips
screwdriver

HARDWARE INCLUDED



NOTE: Hardware not shown to actual size.



AA



BB



CC



DD



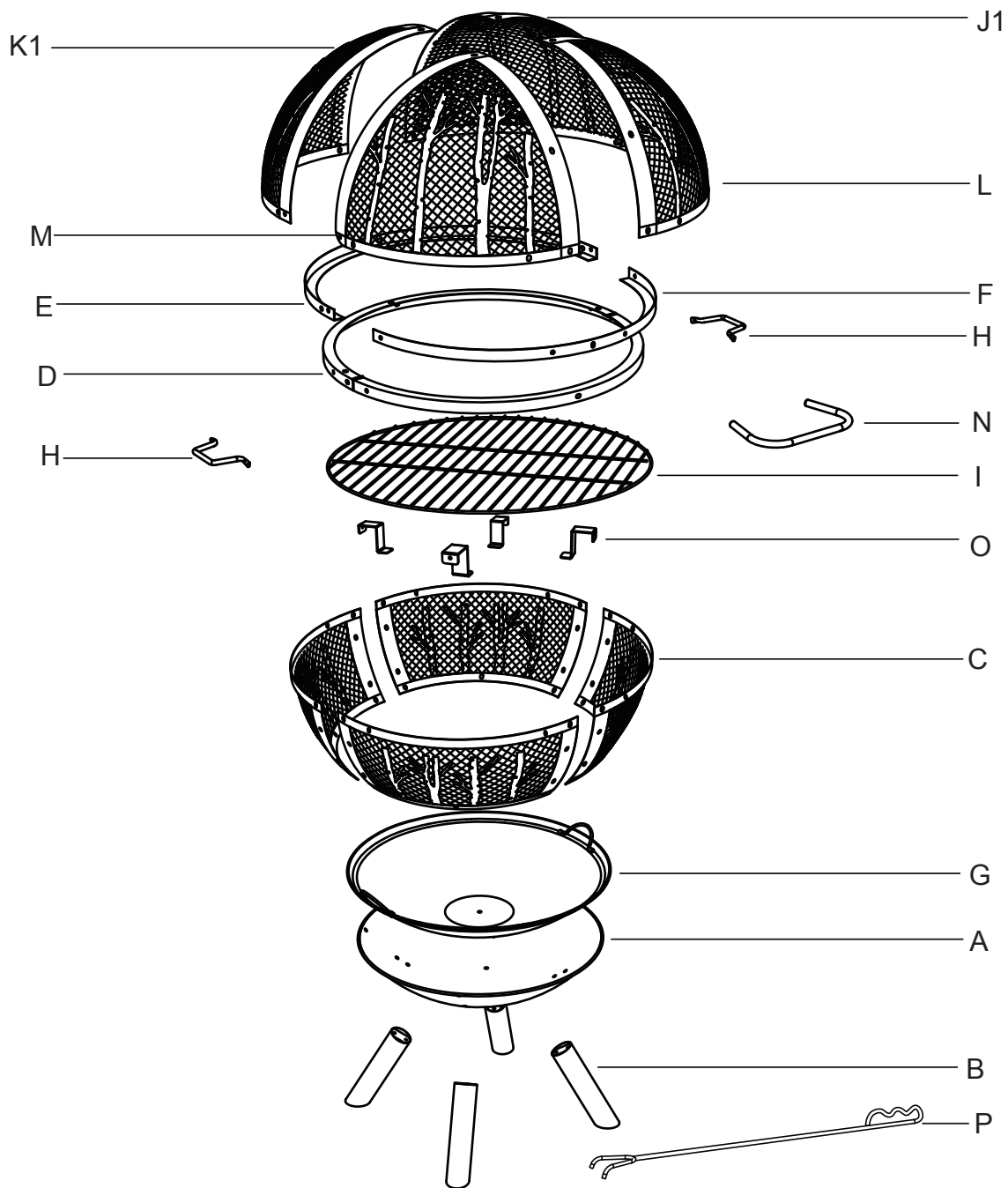
EE



FF

Part	Description	Quantity
AA	M6 x 14 mm Bolt	8
BB	M6 x 12 mm Bolt	29
CC	M6 Nut	35
DD	M6 x 25mm Bolt	11
EE	M6 x 8mm Bolt	2
FF	M6 Washer	18

Parts List



No.	PARTS	Qty
A	Metal Base	1
B	Legs	4
C	Bottom Screen Section	4
D	Center Ring	1
E	Connecting Ring 1	1
F	Connecting Ring 2	1
G	Fire Bowl	1
H	Handle 1	2

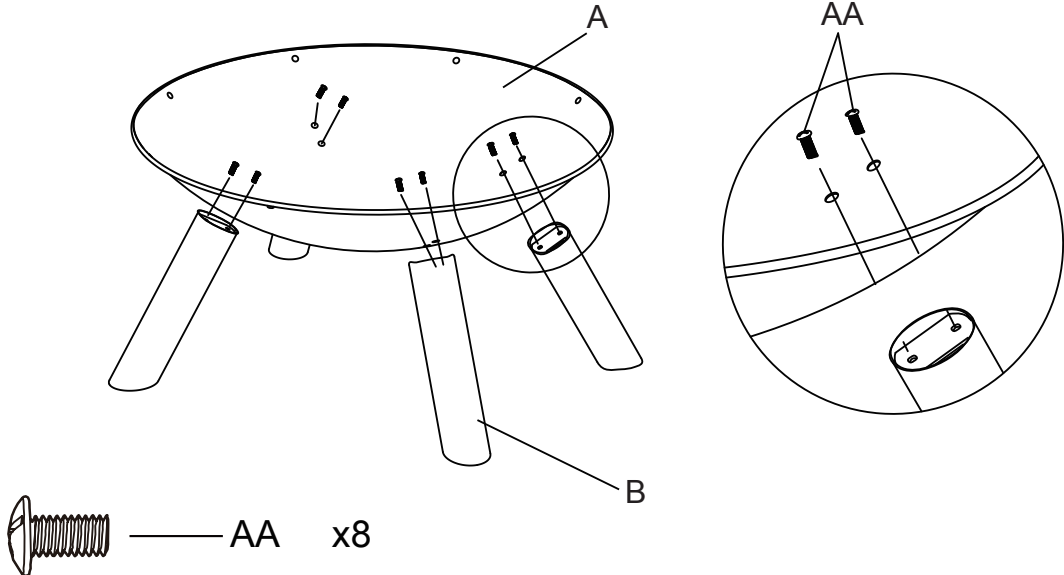
No.	PARTS	Qty
I	Cooking Grill	1
J1	Right Top Section	1
K1	Left Top Section	1
L	Right Door Section	1
M	Left Door Section	1
N	Handle 2	1
O	Cooking Grill Support	4
P	Poker	1

Assembly Instructions

NOTE: Assemble the fire pit on a non-abrasive surface. Some parts may contain sharp edges- especially as noted in the manual. Please wear protective gloves.

Step 1:

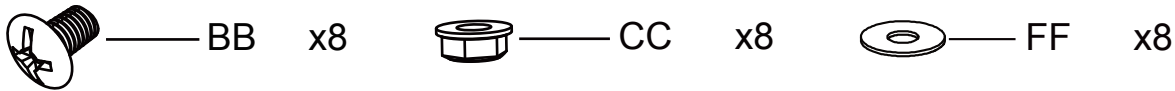
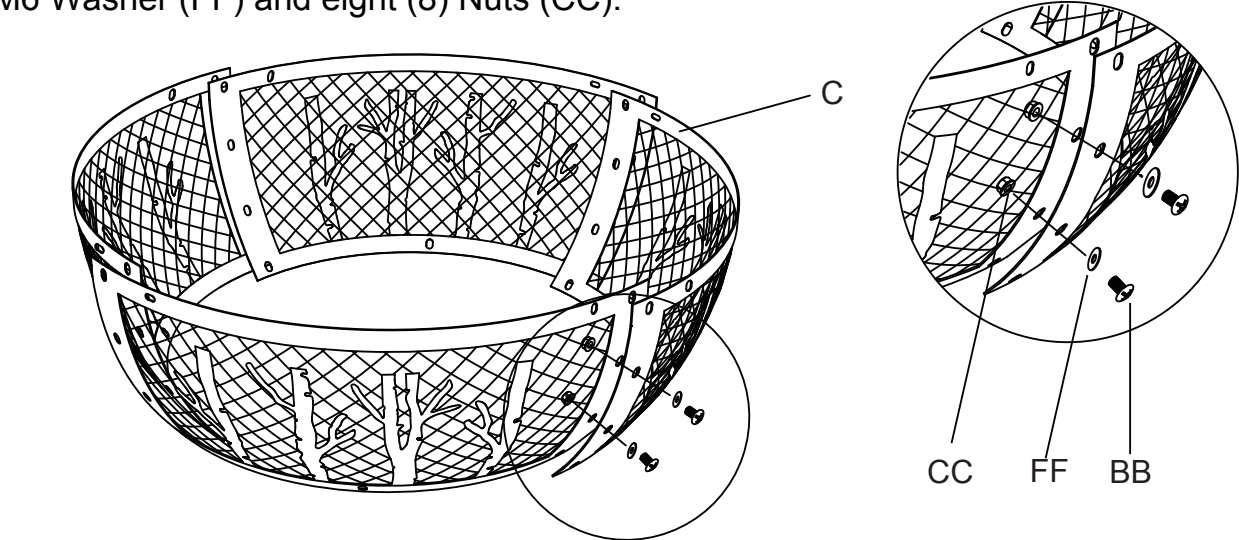
Attach Legs (B) to Metal Base (A) using eight (8) M6 x 14mm bolts (AA).



Note: Please tighten the hardware at this step.

Step 2:

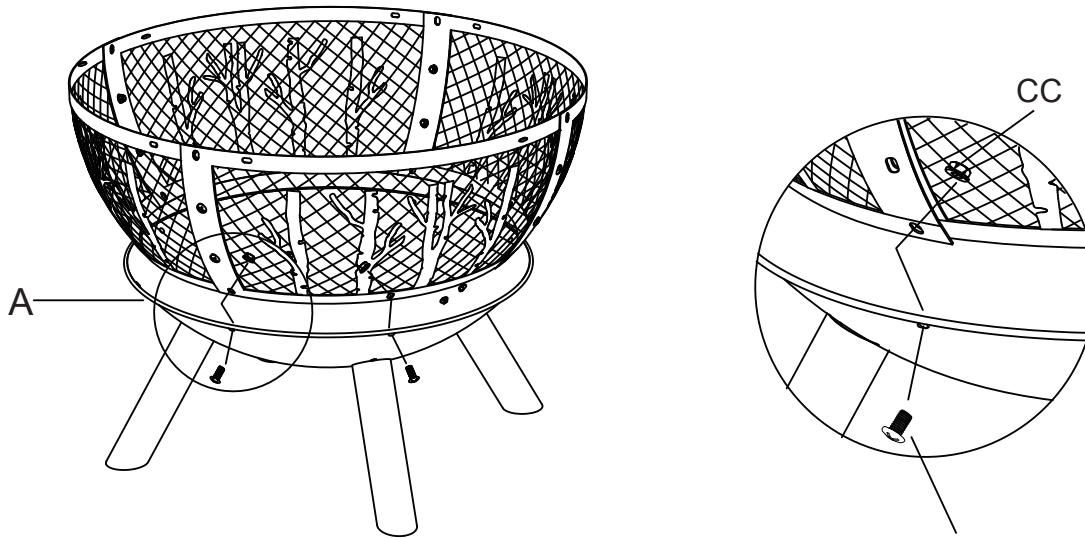
Assemble Bottom Screen Sections (C) using eight (8) M6 x 12mm bolts (BB), eight (8) M6 Washer (FF) and eight (8) Nuts (CC).



Note: Please DO NOT tighten the hardware at this step.

Assembly Instructions

Step 3: Attach the assembled bottom screen section to Metal Base (A) using eight (8) M6 x 12mm bolts (BB) and eight (8) M6 Nuts(CC).

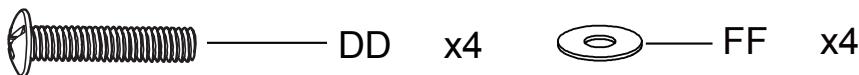
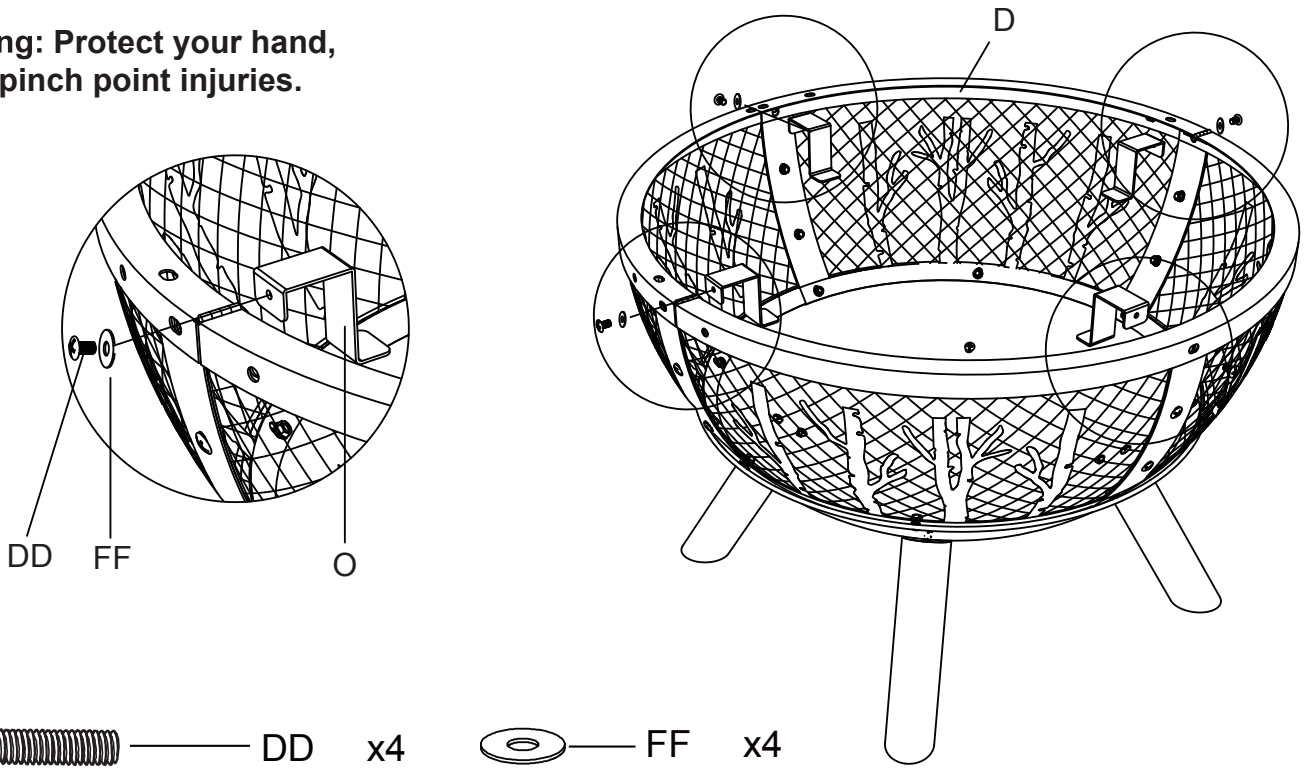


Note: Please tighten the hardwares at this step.

Step 4:

Attach Center Ring (D) to the bottom screen sections and Cooking Grill Support (O) by using four (4) M6 Washer (FF) and four (4) M6 x 25mm bolts (DD).

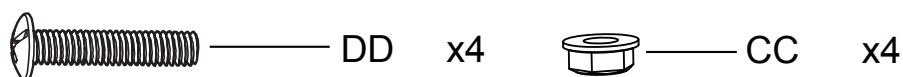
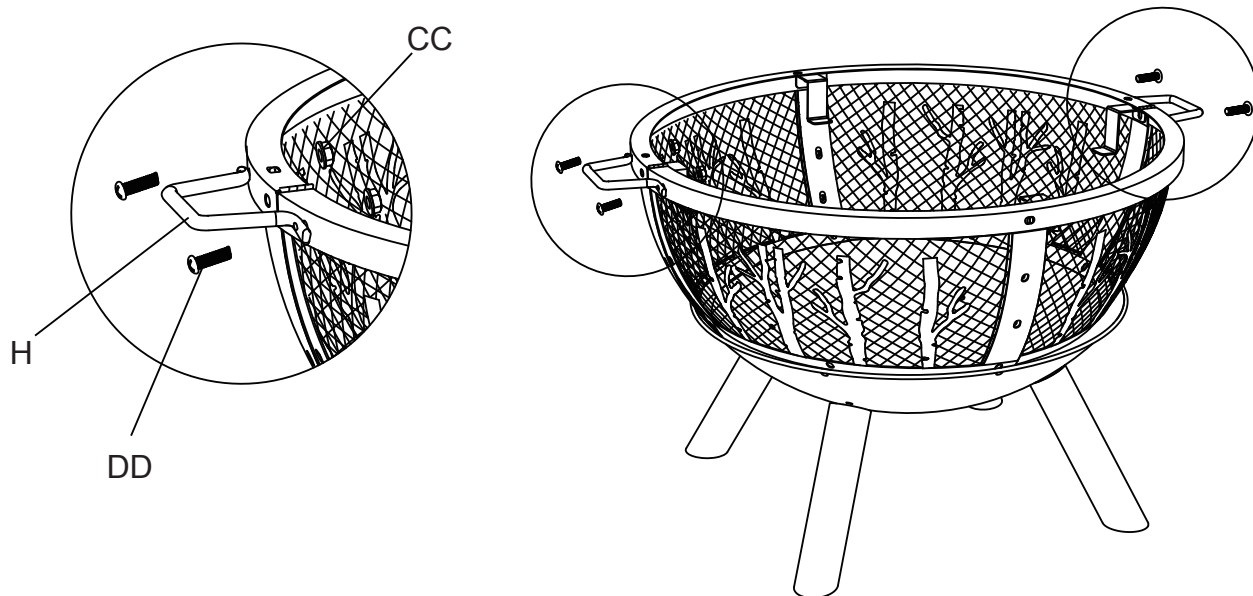
Warning: Protect your hand, avoid pinch point injuries.



Note: Please DO NOT tighten the hardwares at this step.

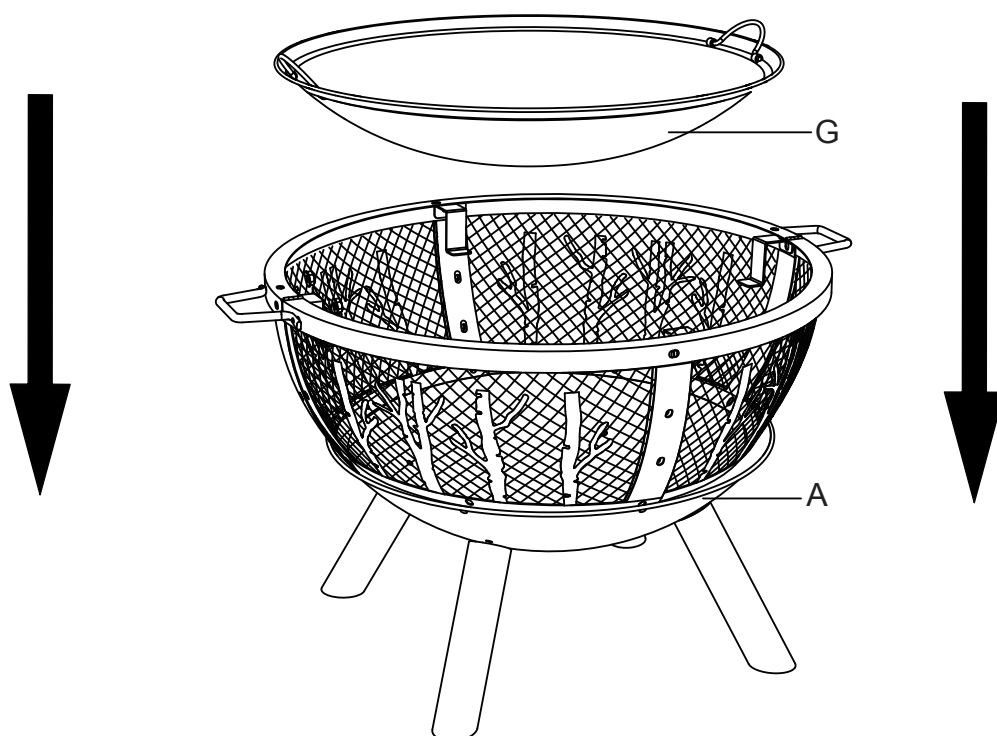
Assembly Instructions

Step 5: Attach Handle 1 (H) to Center Ring (D) using four (4) M6 x 25mm bolts (DD) and four (4) M6 Nuts (CC).



Note: Please tighten the hardwares that listed in step 4, step 5.

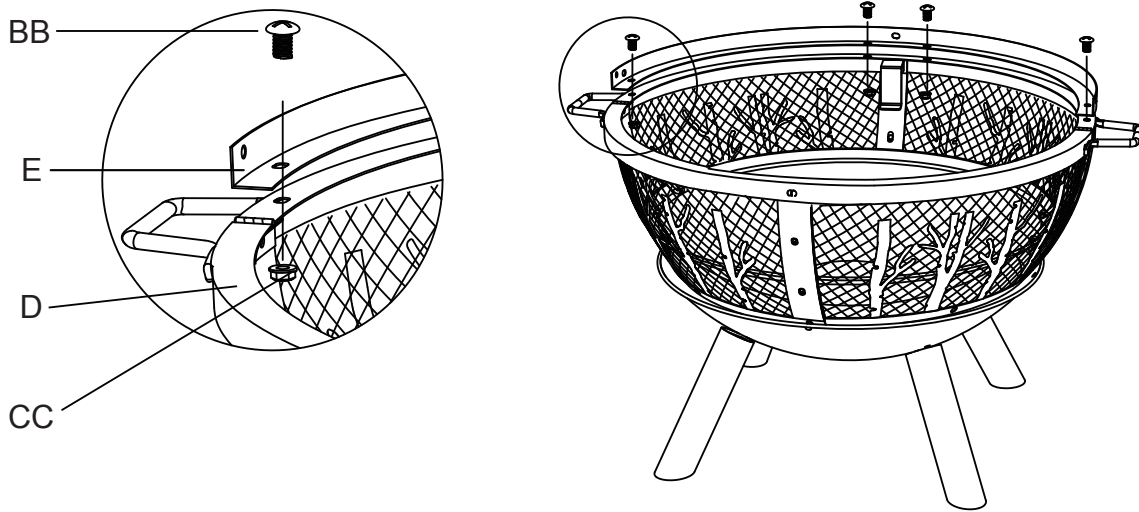
Step 6: Put Fire Bowl (G) on Metal Base (A).



Assembly Instructions

Step 7:

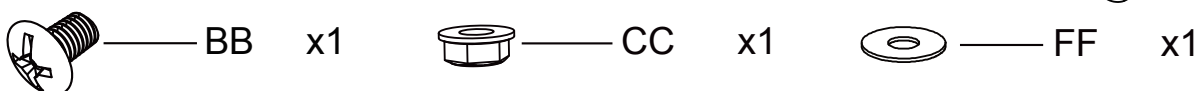
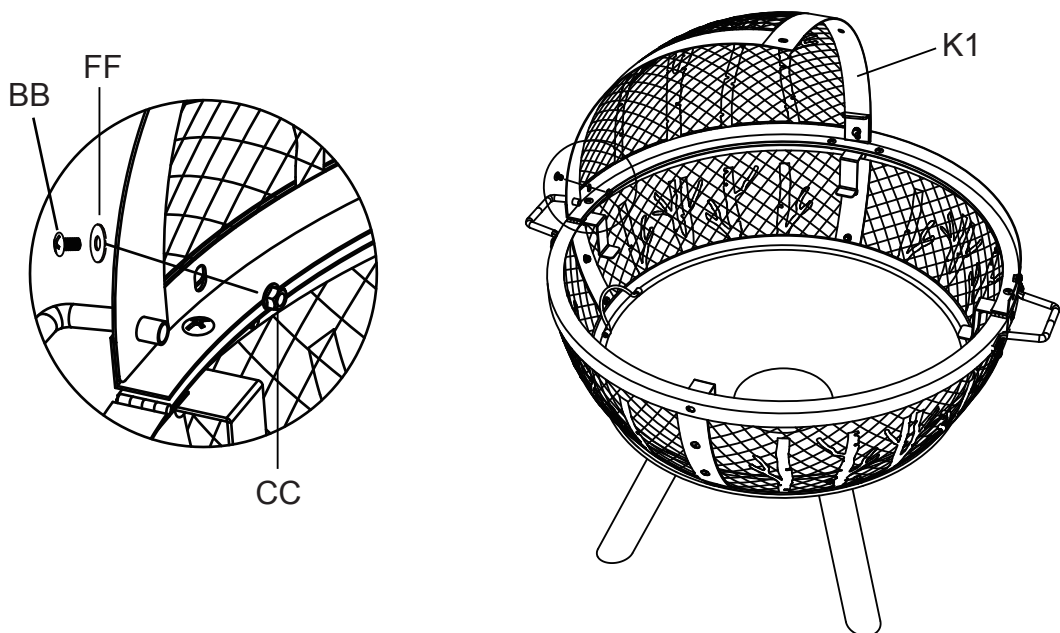
Attach Connecting Ring 1 (E) to Center Ring (D) using four (4) M6 x 12mm bolts (BB) and four (4) M6 Nuts (CC).



Note: Please tighten the hardware at this step.

Step 8:

Attach Left Top Section (K1) to Connection Ring 1 (E) by using one (1) M6 x 12mm bolts (BB), one (1) M6 Washer (FF) and one (1) M6 Nuts (CC).

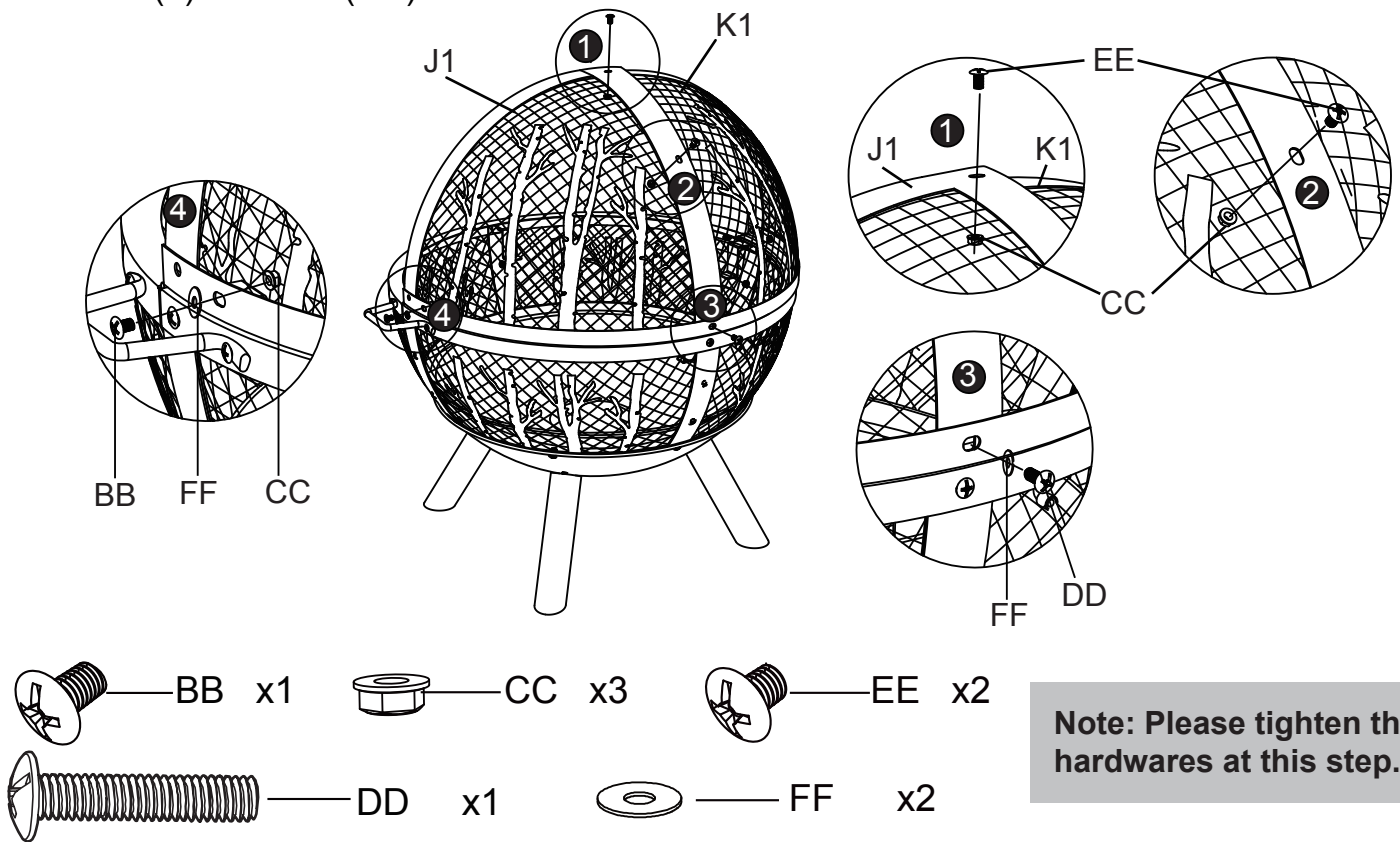


Note: Please DO NOT tighten the hardware at this step.

Assembly Instructions

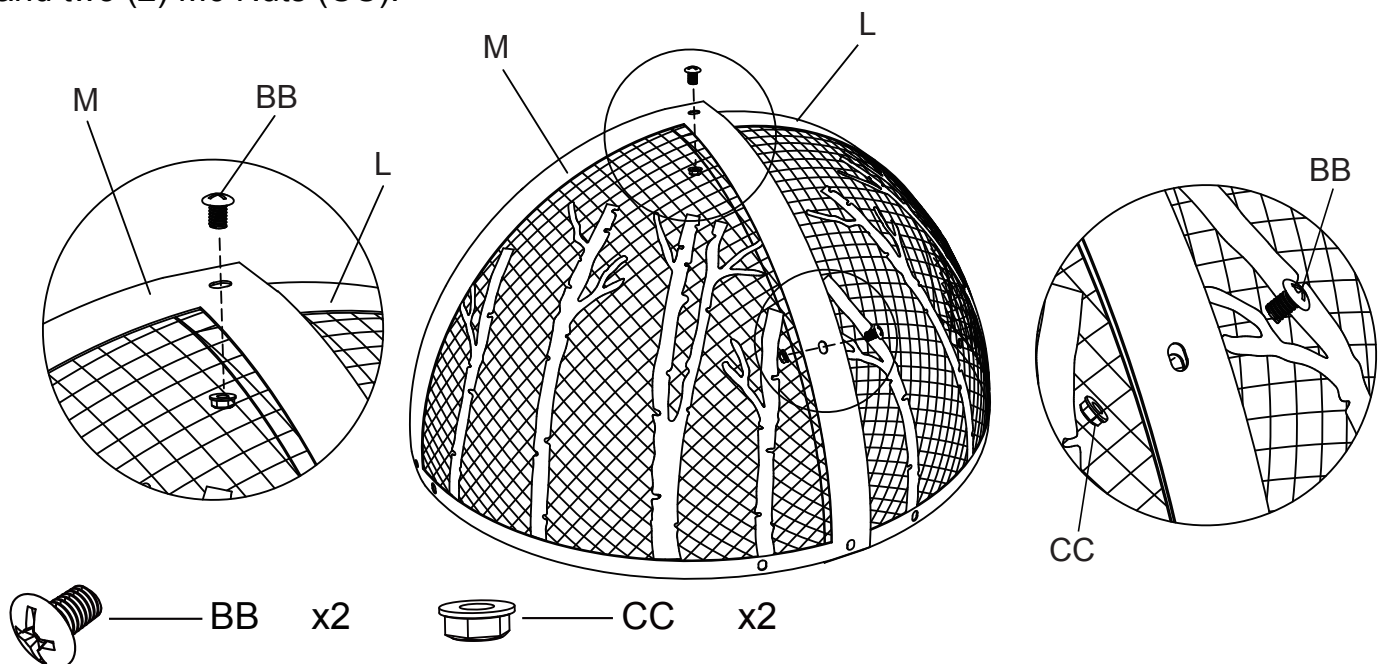
Step 9:

Attach Right Top Section (J1) to Left Top Section (K1) using two (2) M6 x 8mm bolts (EE) and two (2) M6 Nuts (CC), J1 is in the top of K1. Attach top sections to Connection Ring (E) using one (1) M6 x 12mm bolts (BB), one (1) M6 x 25mm bolts (DD), two (2) M6 Washer (FF) and one (1) M6 Nuts (CC).



Step 10:

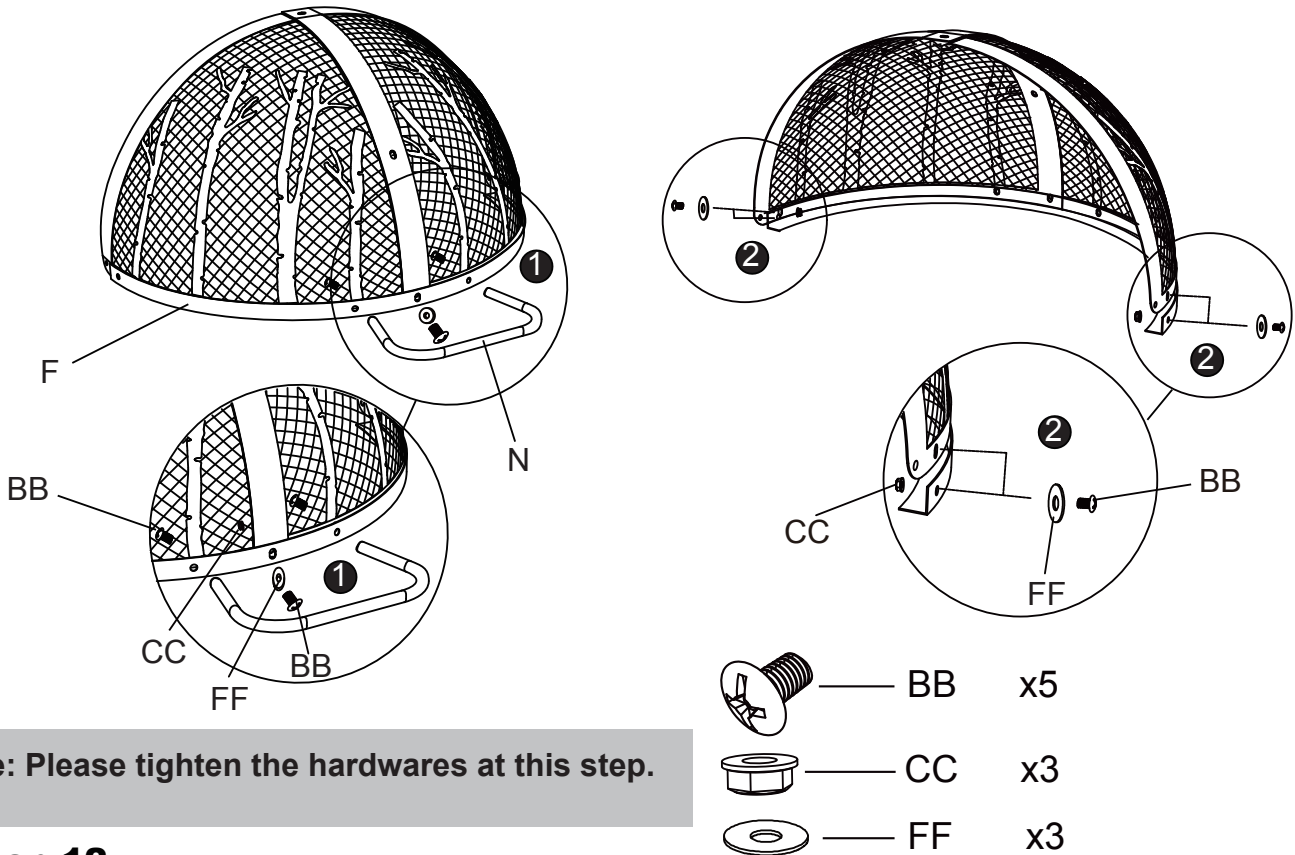
Connect Left Door Section (M) with Right Door Section (L) using two (2) M6 x 12mm bolts (BB) and two (2) M6 Nuts (CC).



Assembly Instructions

Step 11:

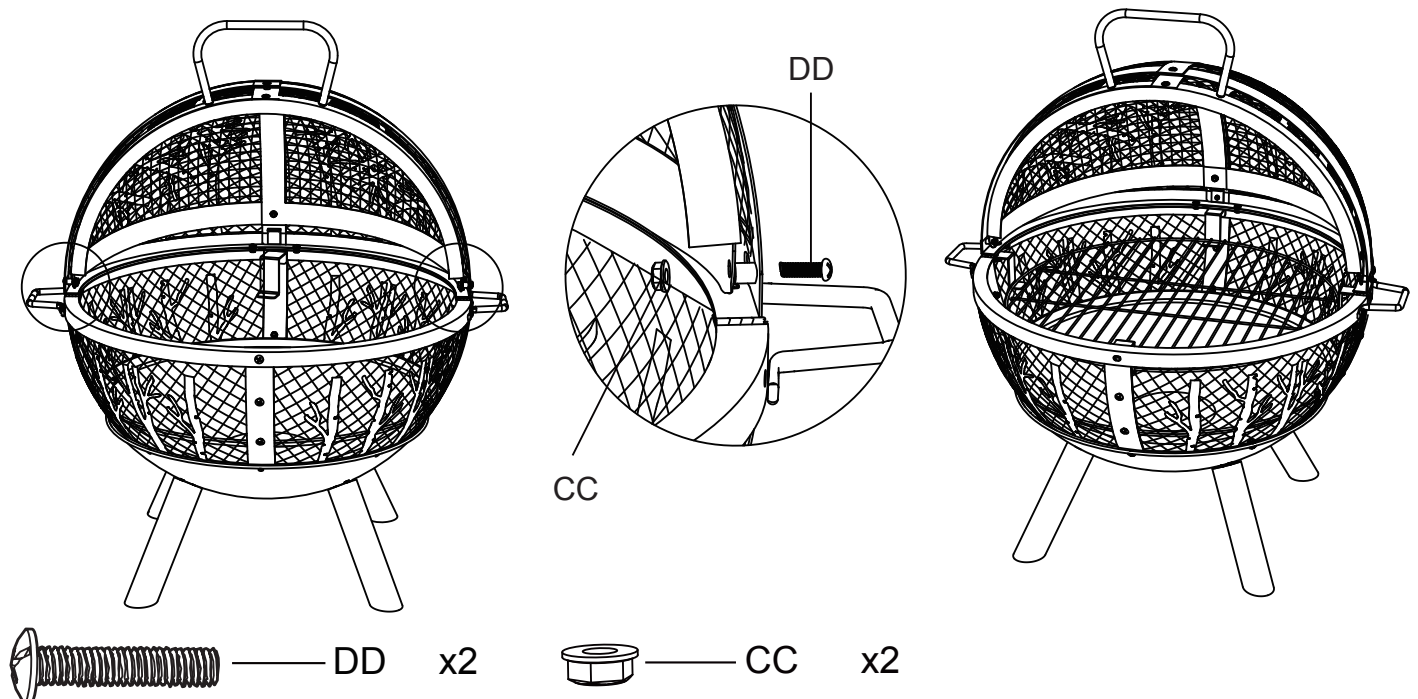
Attach the door sections, Handle 2 (N) to Connecting Ring 2 (F) using five (5) M6 x 12mm bolts (BB), three M6 Washer (FF) and three (3) M6 Nuts.



Note: Please tighten the hardwares at this step.

Step 12:

Attach door section to top section using two (2) M6 x 25mm bolts (DD) and two (2) M6 Nuts (CC). Put Cooking Grill (I) onto Cooking Grill Support (O). Finally place Poker (P) beside fire pit assembly.



Note: Please tighten all hardwares at this step.

MAINTENANCE

- To extend the life of your fire pit, clean it after each use.
- To Protect fire pit finish, use a soft cloth in lieu of bare hands while handling.
- Clean the fire bowl after each use once ashes have cooled.

CARE AND CLEANING

- Do not attempt to clean the fire pit until the fire is completely out and cooled completely.
- Use a soft cloth to wipe the fire pit and poker.
- Do not attempt to clean while hot.

STORAGE

- Do not attempt to move the fire pit while it is hot or in use.
- Store assembled fire pit in a cool, dry location away from children and pets.
- Keep the fire pit covered when cooled and not in use.

Welcome to share any pictures or videos about this fire pit!