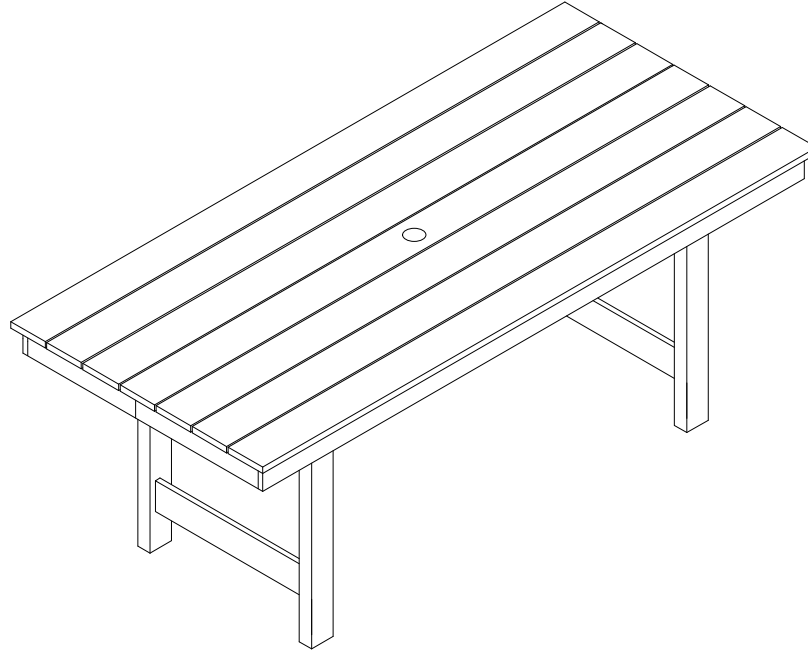


1/CN

Assembly Instruction

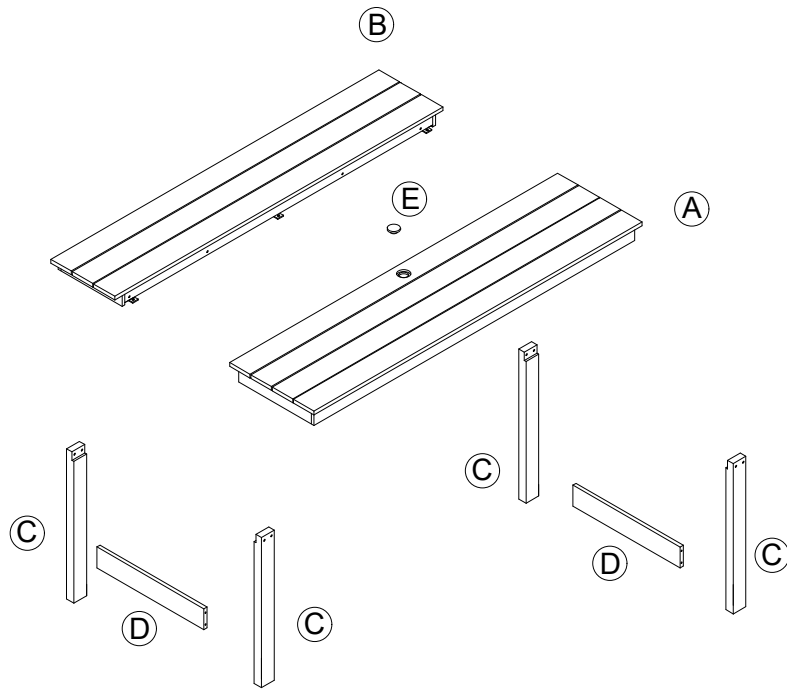


Any question please feel free to contact us:
support@amer-life.com TEL:901-347-2181
We will provide further assistance within 24 hours.







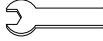


Dear Customers,

Thank you for purchasing our product. Please read this instruction manual carefully after receiving this product. It will help you assemble this product quickly, safely and correctly. You can keep this manual for future reference.

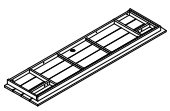
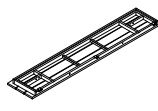
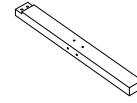
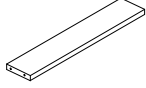
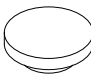
Rectangle Dining Table



Hardware parts

| | | | |
|--|--|---|--|
| <p>a 4/1*16MM</p>  <p>x3</p> | <p>b 4/1*60MM</p>  <p>x4</p> | <p>c 4/1*75MM</p>  <p>x8</p> | <p>d 4/1*105MM</p>  <p>x4</p> |
| <p>e M6.3*80MM</p>  <p>x8</p> | <p>f Allen Key</p>  <p>x1</p> | <p>g Wrench</p>  <p>x1</p> | <p>h Nut</p>  <p>x16</p> |
| <p>i Flat washer</p>  <p>1/4" x16</p> | | | |

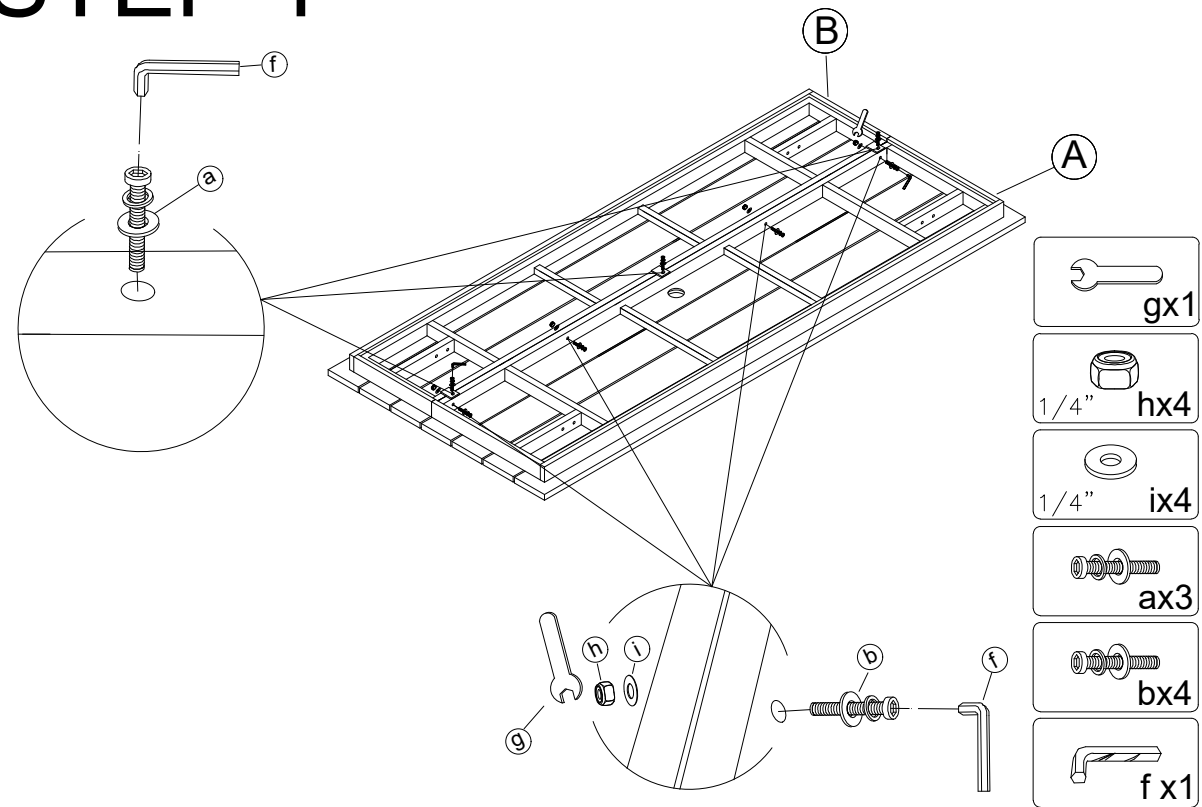
Main structure accessories

| | | | |
|--|--|--|--|
| <p>A Big Top</p>  <p>x1</p> | <p>B Small Top</p>  <p>x1</p> | <p>C Leg</p>  <p>x4</p> | <p>D Stretcher</p>  <p>x2</p> |
| <p>E Umbrella Hole cap</p>  <p>x1</p> | | | |

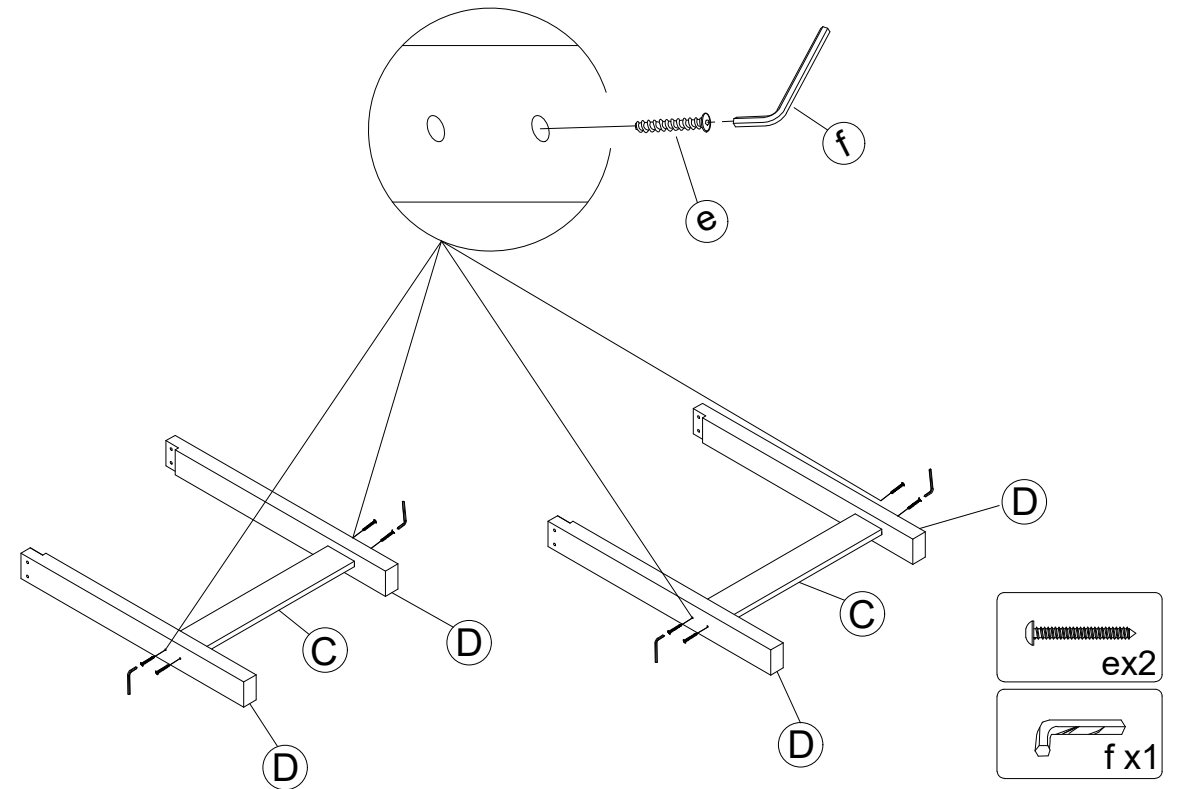
Kind Reminder:

Due to the size of our product, it would be easier to assemble it with your partner together.

STEP 1

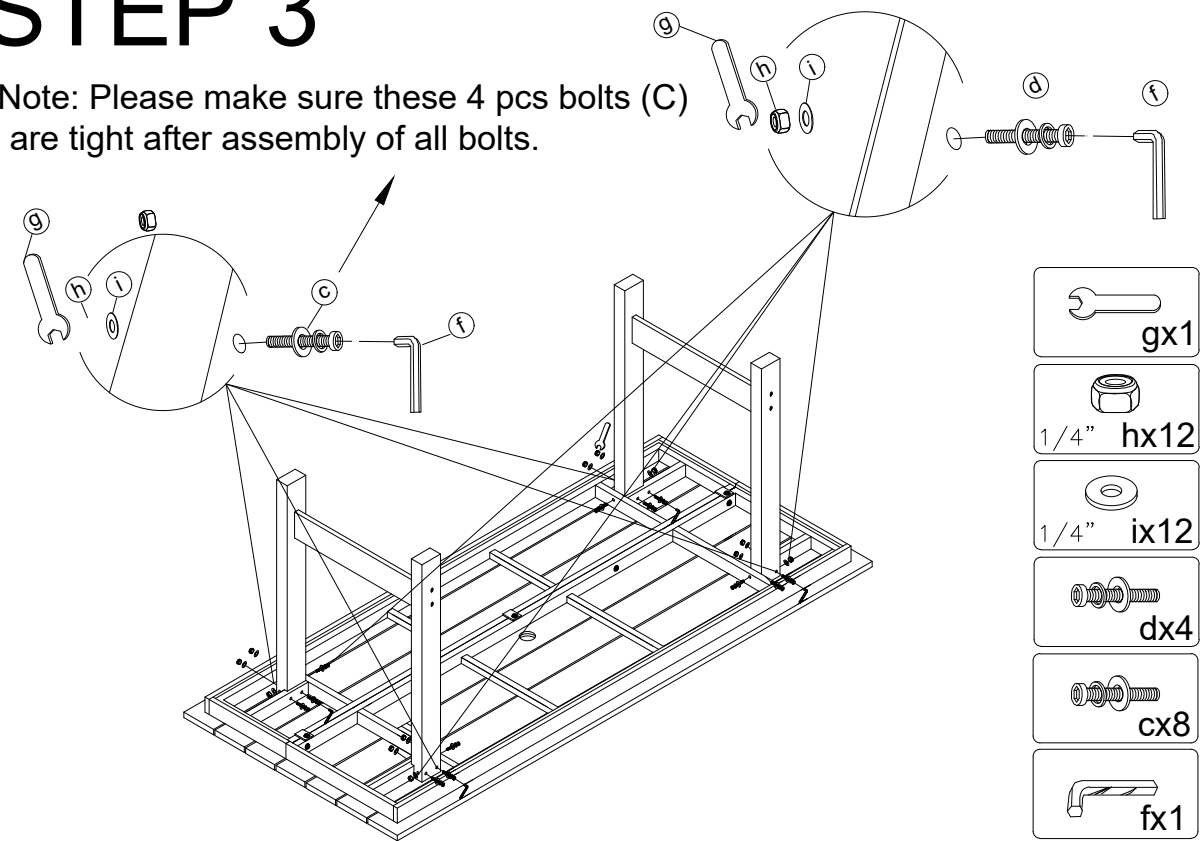


STEP 2

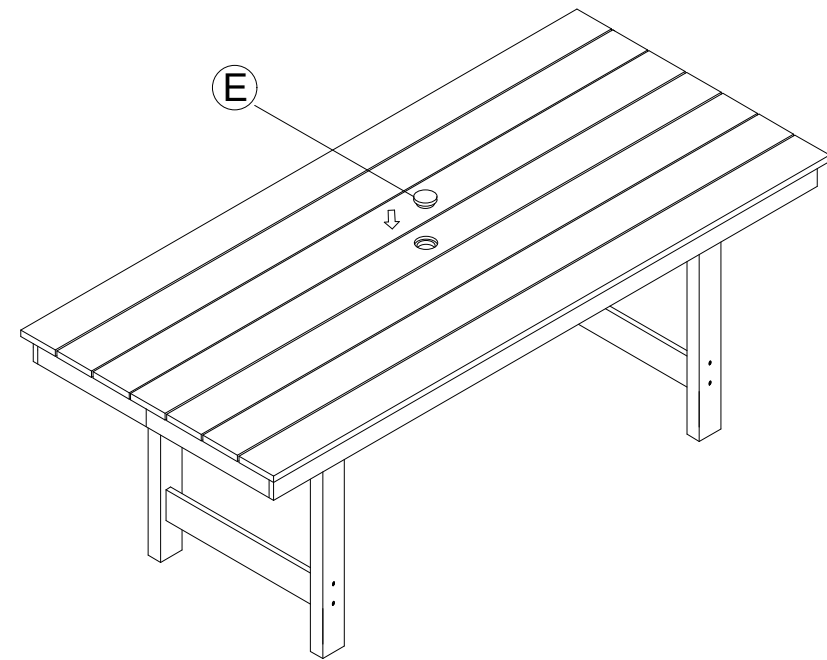


STEP 3

Note: Please make sure these 4 pcs bolts (C) are tight after assembly of all bolts.



STEP 4



STEP 5

