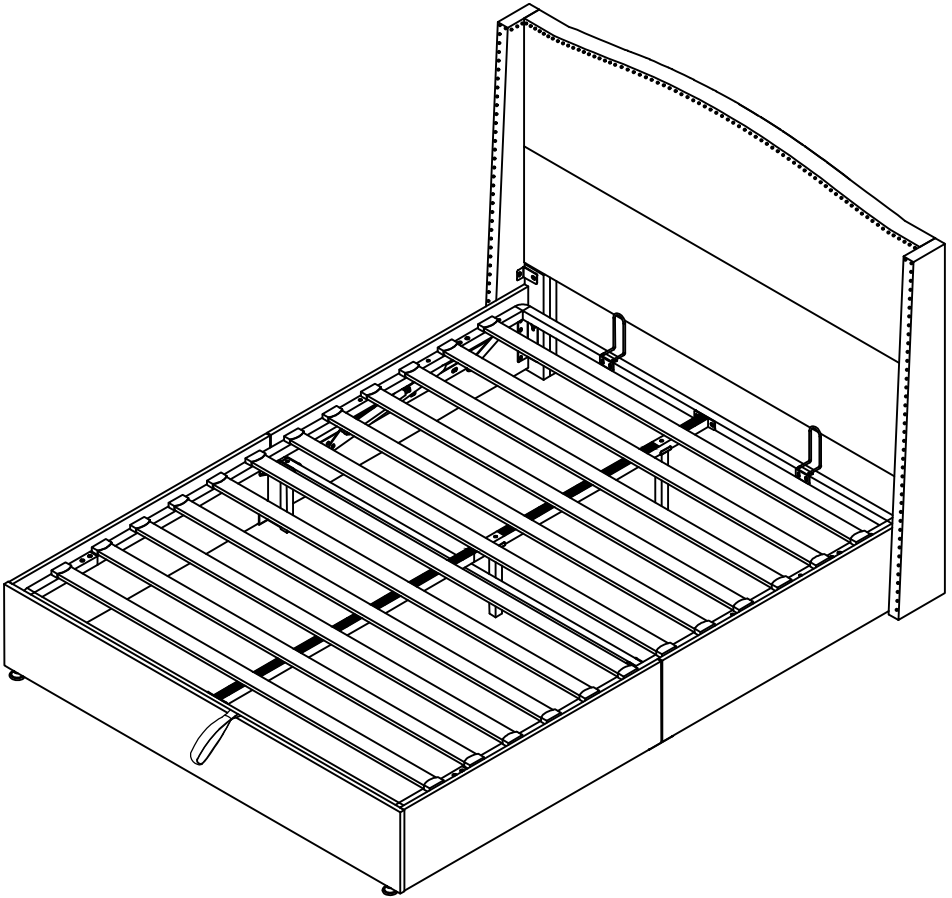


# Upholstered Platform Bed with Tufted Wingback Headboard.

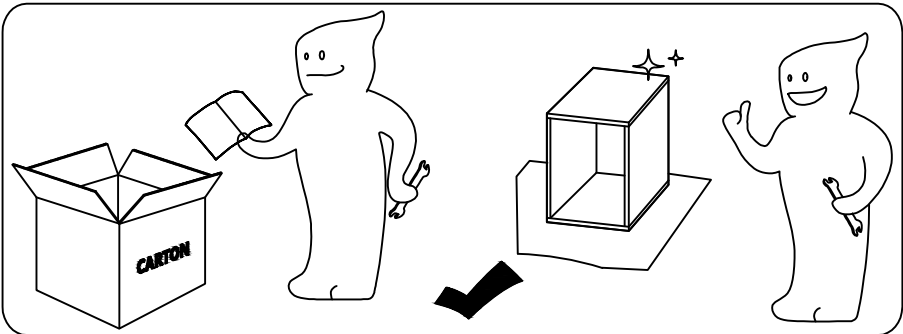
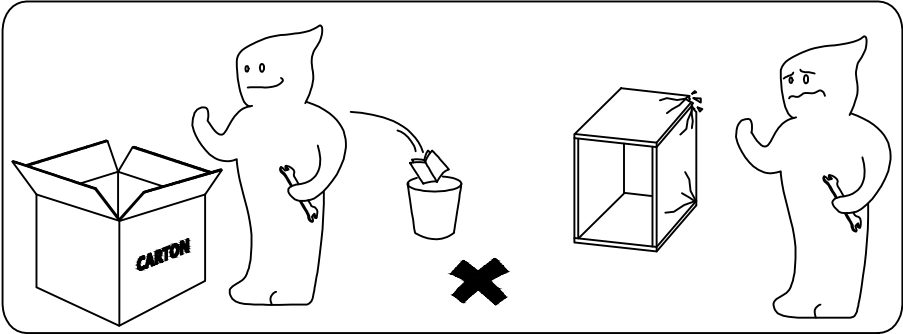


Dear Customers,

Thank you for purchasing our product. Please read this instruction manual carefully after receiving this product. It will help you assemble this product quickly, safely and correctly. You can keep this manual for future reference.

## **IMPORTANT**

Please follow the instruction manuals and use a pad to protect the product during your assembly.



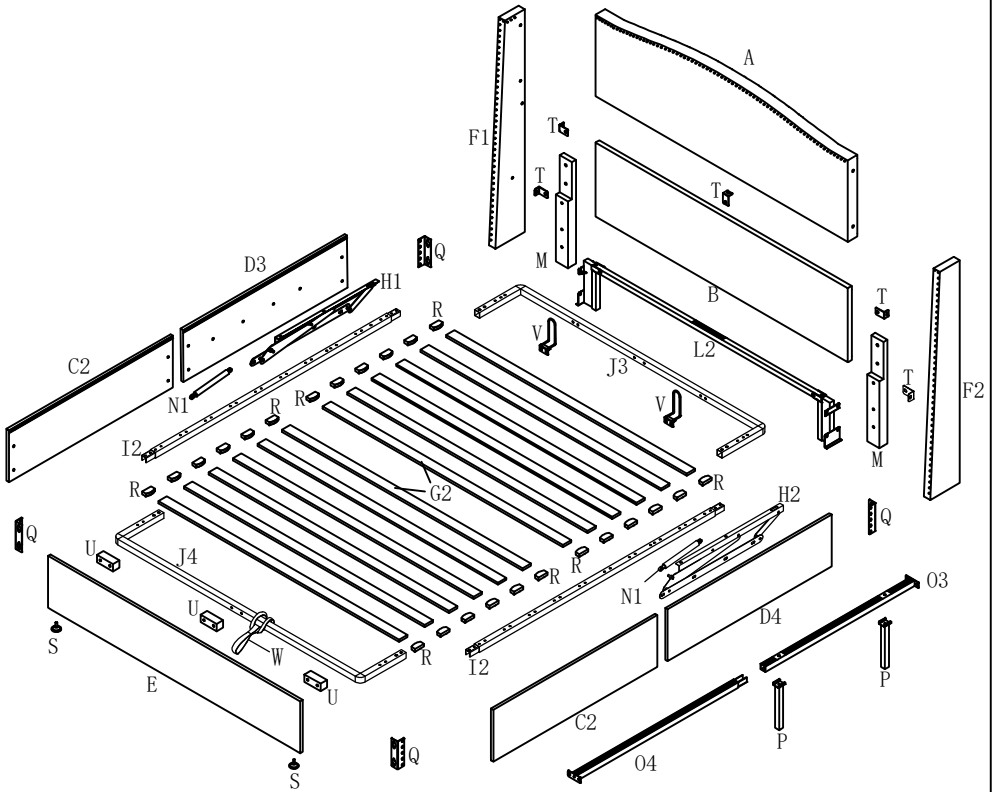
### Note:

1. Should be assembled on flat ground to keep balance.
2. Before completing the installation, do not tighten the screws.



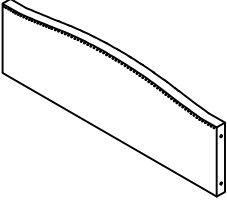
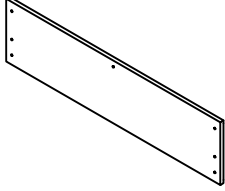
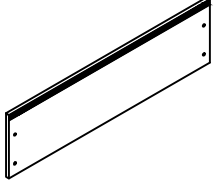
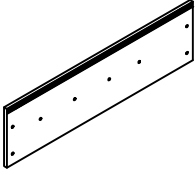
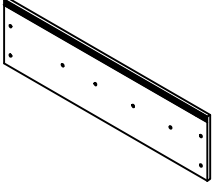
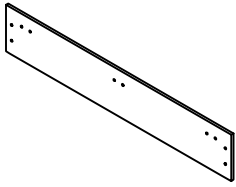


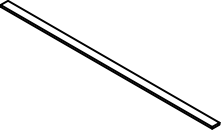
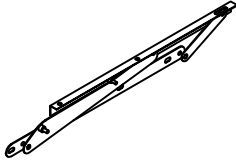
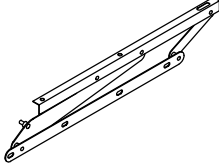
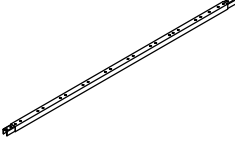
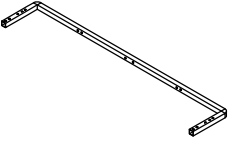
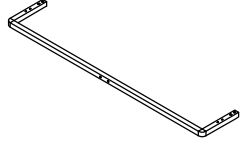
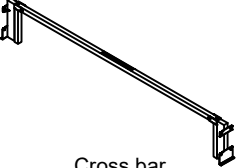

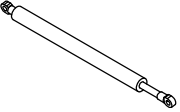
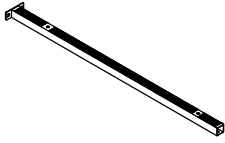
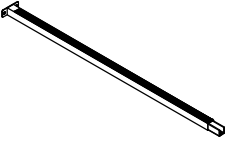
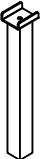
For easier and better assembly, 2 or more adults are required.

# ASSEMBLY INSTRUCTIONS



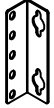
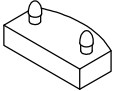
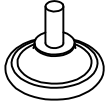

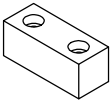
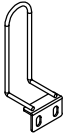
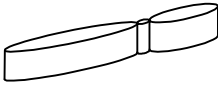
# ASSEMBLY INSTRUCTIONS

## Part List

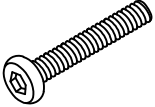
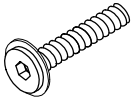
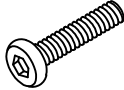
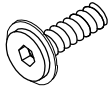
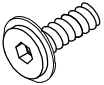
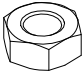


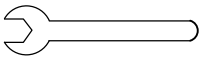
<p><b>A</b> 1PC</p>  <p>Top headboard</p>	<p><b>B</b> 1PC</p>  <p>Bottom headboard</p>	<p><b>C2</b> 2PCS</p>  <p>Rear bed side</p>	<p><b>D3</b> 1PC</p>  <p>Left front bed side</p>
<p><b>D4</b> 1PC</p>  <p>Right front bed side</p>	<p><b>E</b> 1PC</p>  <p>Footboard</p>	<p><b>F1</b> 1PC</p>  <p>Left wing</p>	<p><b>F2</b> 1PC</p>  <p>Right wing</p>
<p><b>G2</b> 12PCS</p>  <p>Slat</p>	<p><b>H1</b> 1PC</p>  <p>Left lift frame</p>	<p><b>H2</b> 1PC</p>  <p>Right lift frame</p>	<p><b>I2</b> 2PCS</p> 
<p><b>J3</b> 1PC</p> 	<p><b>J4</b> 1PC</p> 	<p><b>L2</b> 1PC</p>  <p>Cross bar</p>	<p><b>M</b> 2PCS</p> 
<p><b>N1</b> 2PCS</p>  <p>Hydraulic rod</p>	<p><b>O3</b> 1PC</p>  <p>Front Middle support bar</p>	<p><b>O4</b> 1PC</p>  <p>Rear middle support bar</p>	<p><b>P</b> 2PCS</p>  <p>Support leg</p>

# ASSEMBLY INSTRUCTIONS

## Part List


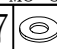
Q	4PCS	R	24PCS	S	2PCS	T	5PCS
 <p>Connector</p>				 <p>Leg</p>		 <p>Connector</p>	
U	3PCS	V	2PCS	W	1PC		
							

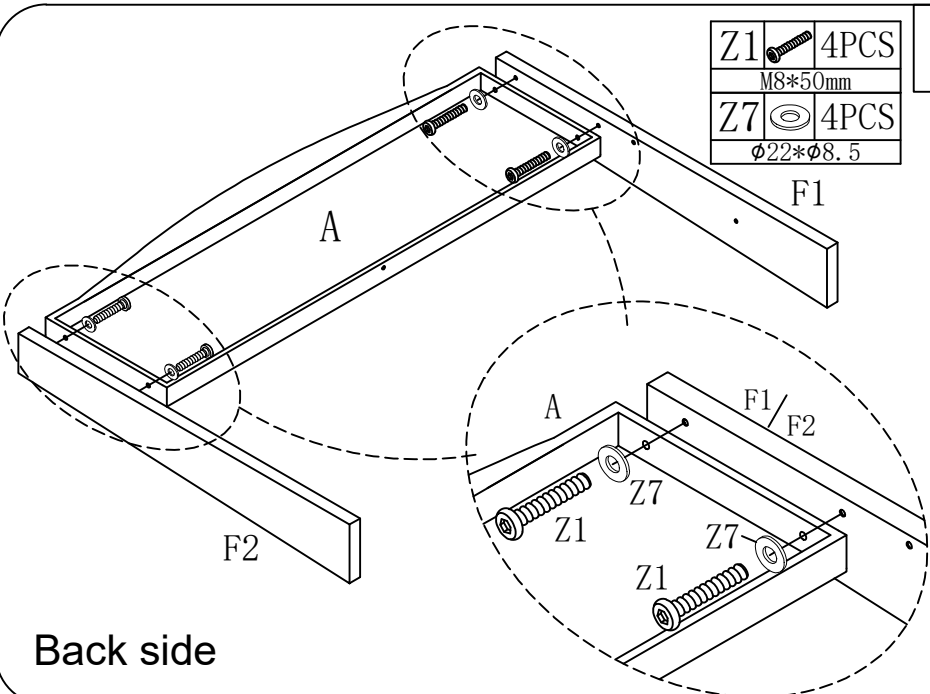
## Hardware List

Z1	8PCS	Z2	16PCS	Z3	8PCS	Z4	13PCS
 <p>M8*50mm</p>		 <p>M8*45mm</p>		 <p>M8*30mm</p>		 <p>M8*25mm</p>	
Z5	39PCS	Z6	10PCS	Z7	8PCS	Z8	1PC
 <p>M8*18mm</p>		 <p>M8</p>		 <p>φ22*φ8.5</p>		 <p>M8 Spanner</p>	
Z9	1PC						
 <p>M8</p>							

# ASSEMBLY INSTRUCTIONS


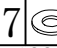

## 1

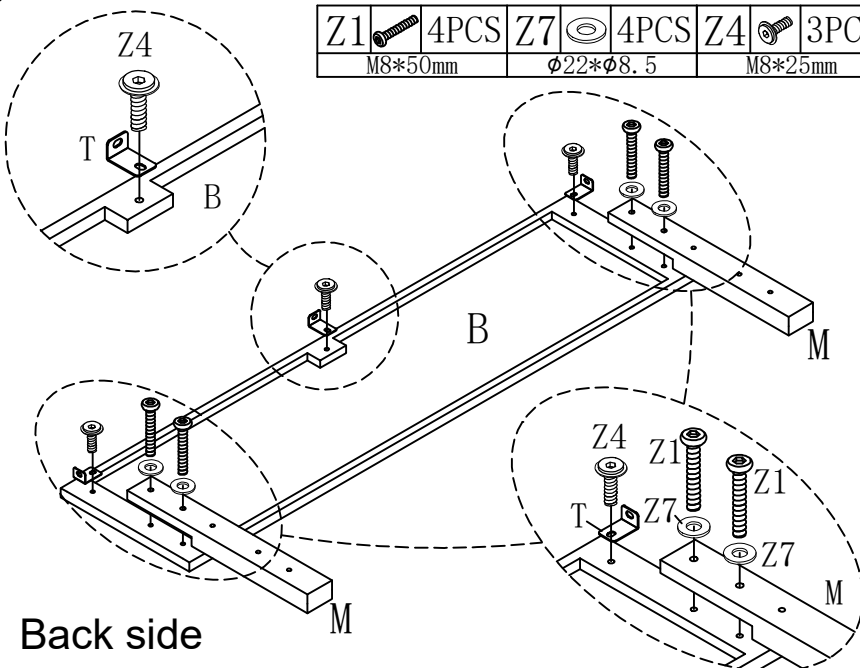
Z1		4PCS
M8*50mm		
Z7		4PCS
φ22*φ8.5		



Back side

## 2



Z1		4PCS	Z7		4PCS	Z4		3PCS
M8*50mm			φ22*φ8.5			M8*25mm		

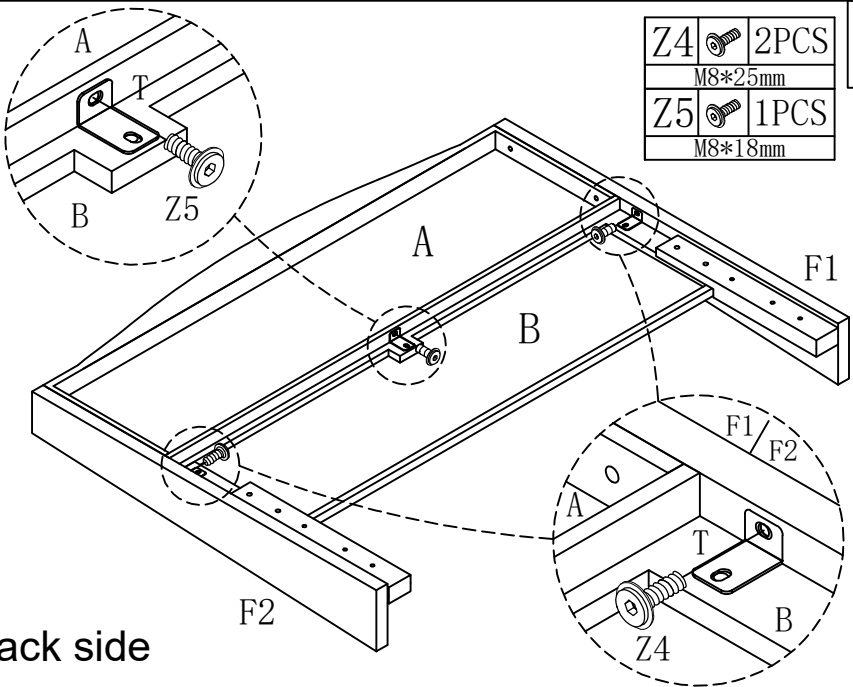


Back side

# ASSEMBLY INSTRUCTIONS

## 3

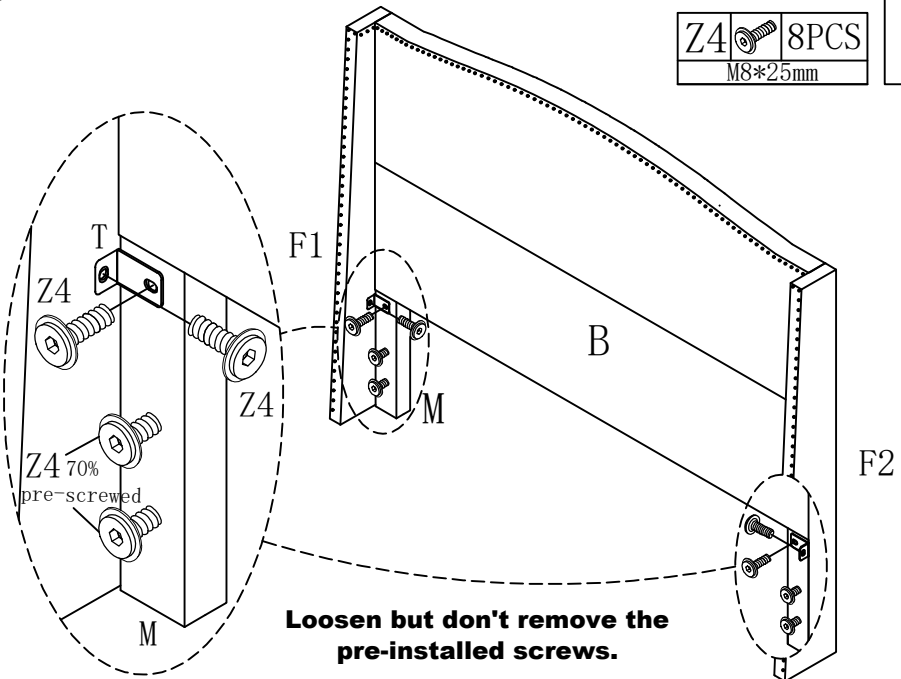
Z4		2PCS
M8*25mm		
Z5		1PCS
M8*18mm		



Back side

## 4

Z4		8PCS
M8*25mm		

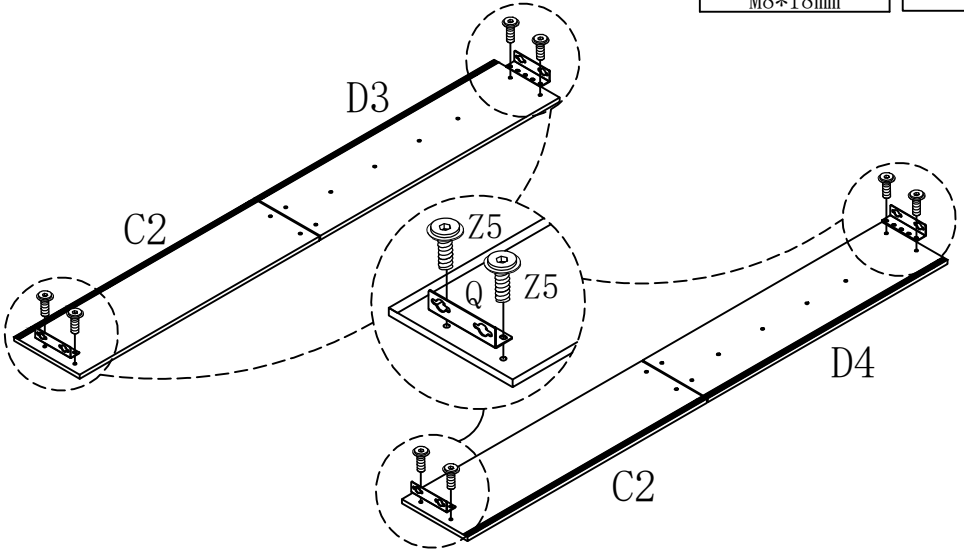


**Loosen but don't remove the pre-installed screws.**

# ASSEMBLY INSTRUCTIONS

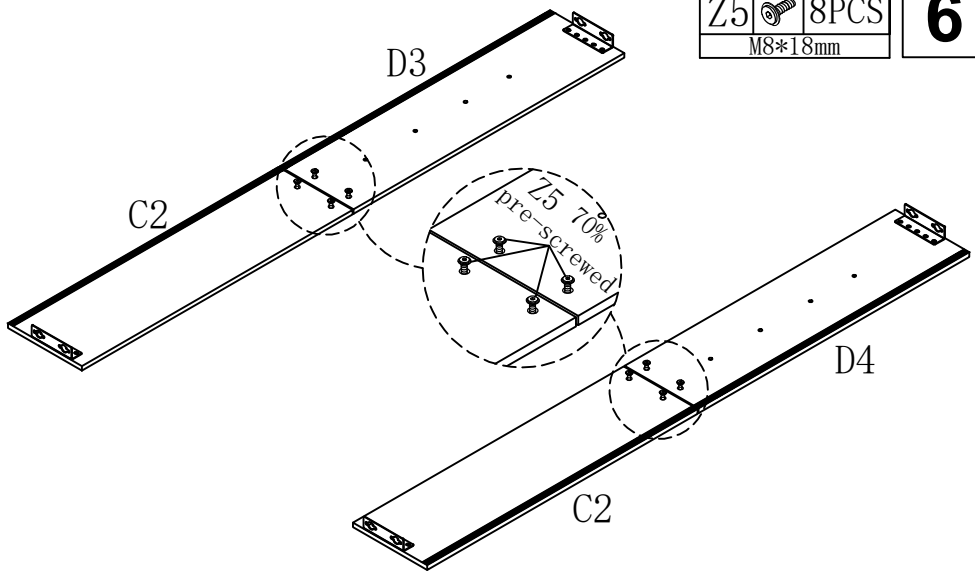
Z5		8PCS
M8*18mm		

## 5



Z5		8PCS
M8*18mm		


## 6



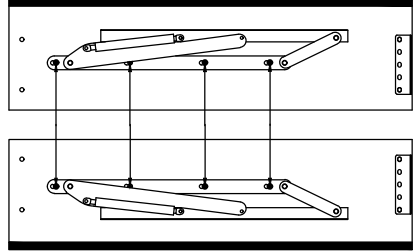
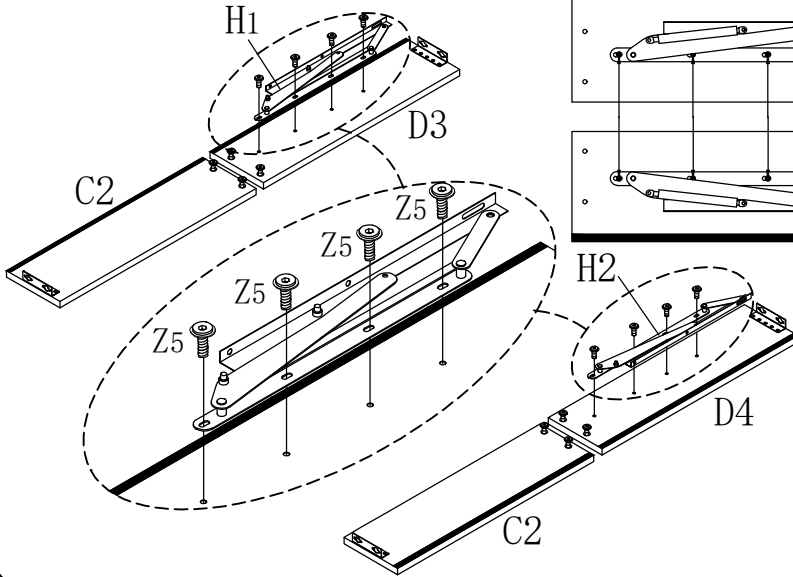
**Loosen but don't remove the pre-installed screws.**





# ASSEMBLY INSTRUCTIONS

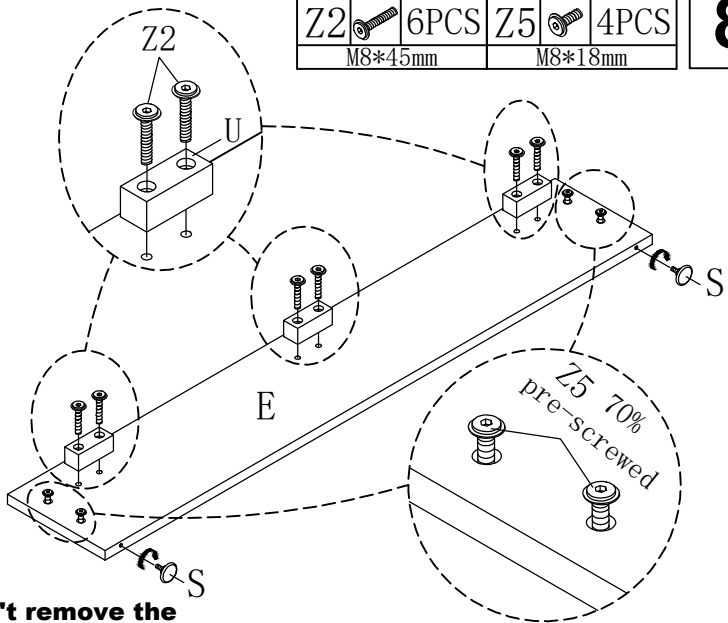
Z5		8PCS
M8*18mm		

## 7



Z2		6PCS	Z5		4PCS
M8*45mm			M8*18mm		

## 8

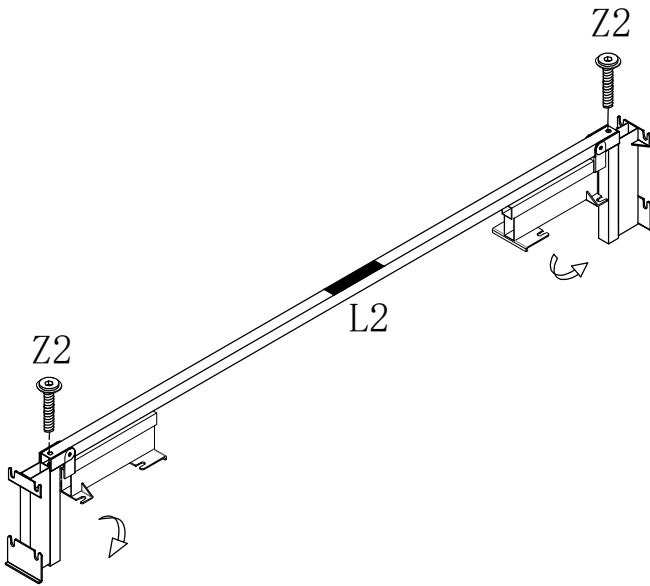


**Loosen but don't remove the pre-installed screws.**

# ASSEMBLY INSTRUCTIONS

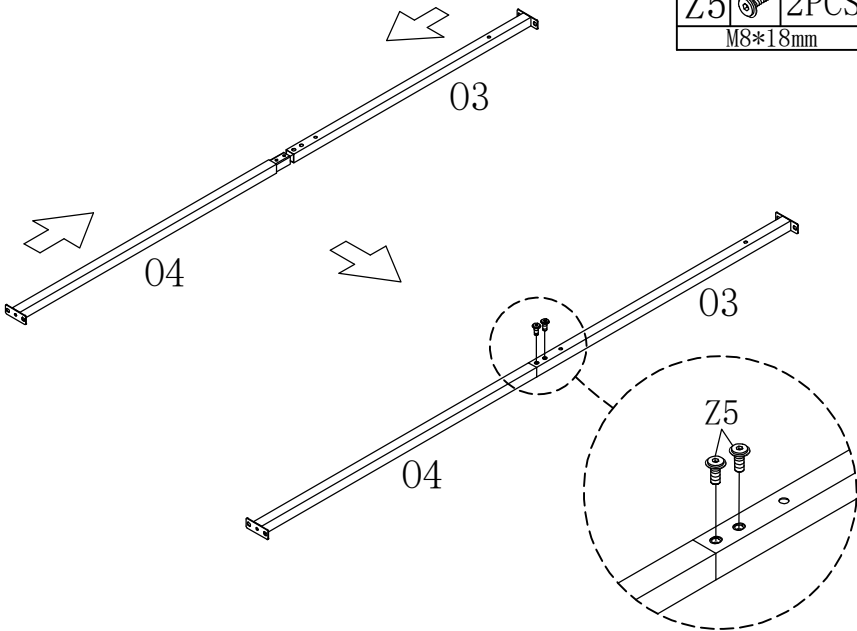
Z2		2PCS
M8*45mm		

## 9



Z5		2PCS
M8*18mm		

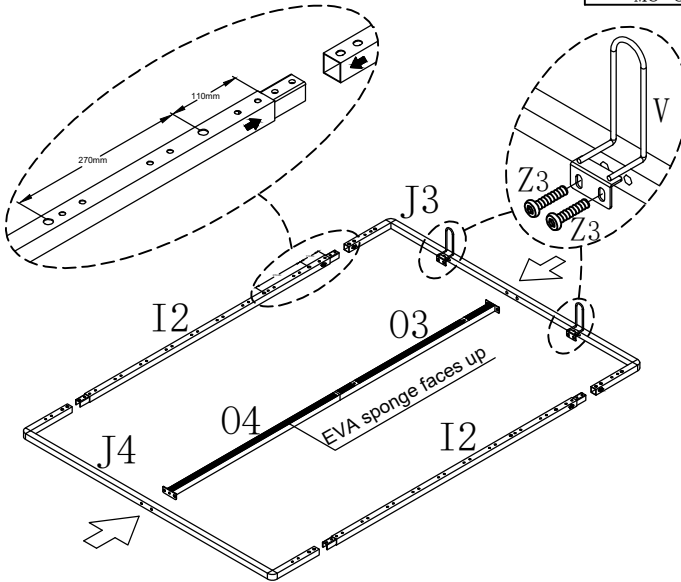
## 10





# ASSEMBLY INSTRUCTIONS

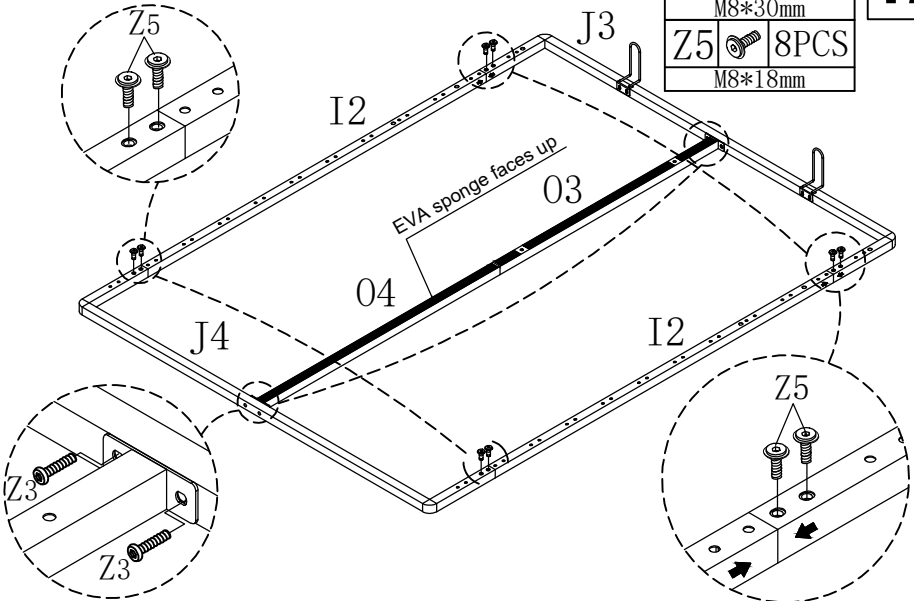
Z3		4PCS
M8*30mm		

## 11

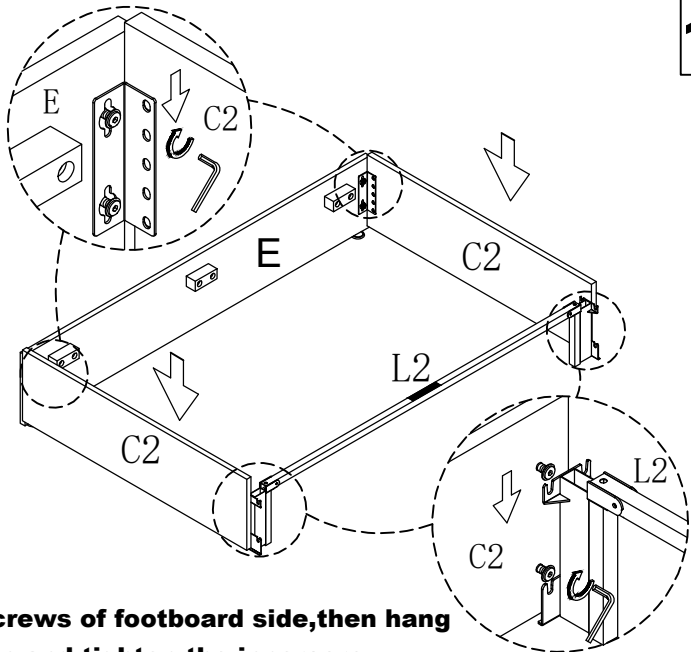


Z3		4PCS
M8*30mm		
Z5		8PCS
M8*18mm		

## 12

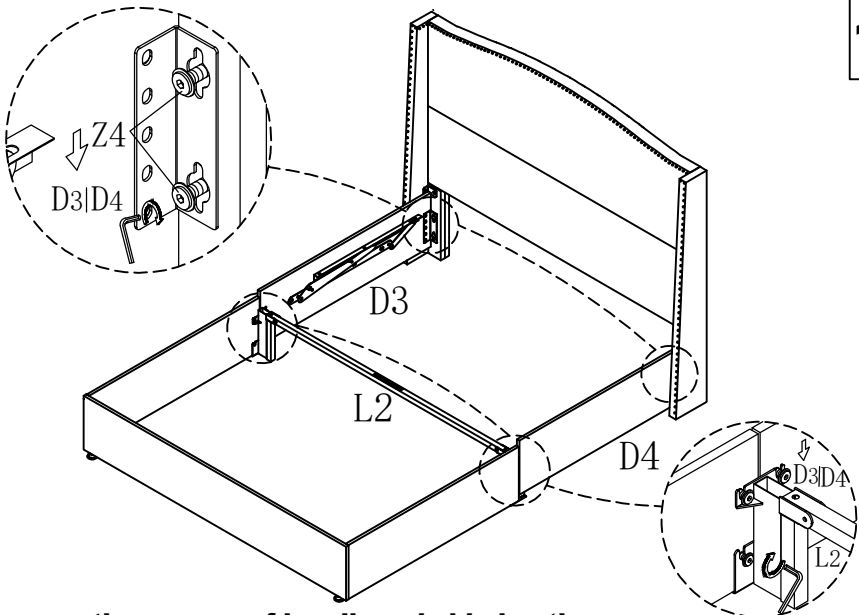


## 13



**Loosen the screws of footboard side, then hang the bracket on and tighten the innerscrew.**

## 14

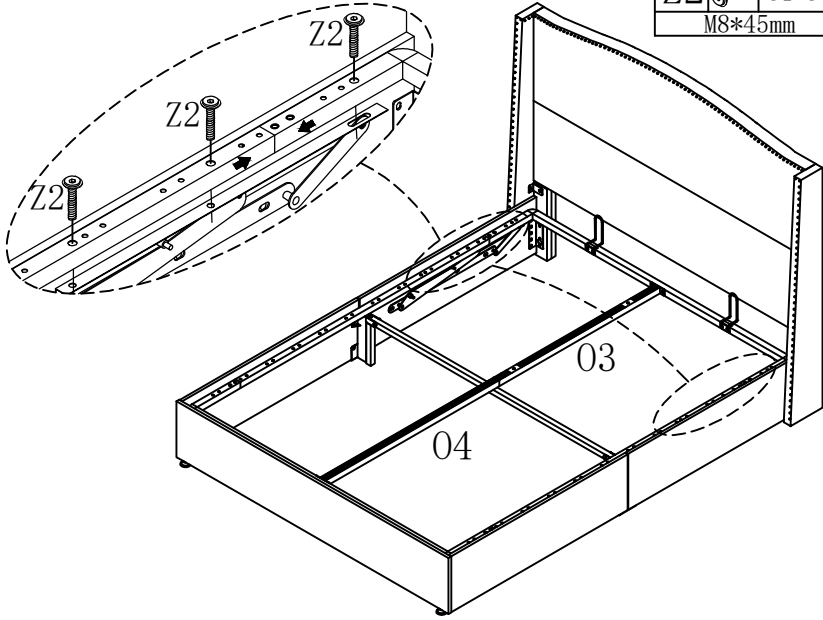



**Loosen the screws of headboard side leg, then hang the bracket on and tighten the innerscrew.**

# ASSEMBLY INSTRUCTIONS

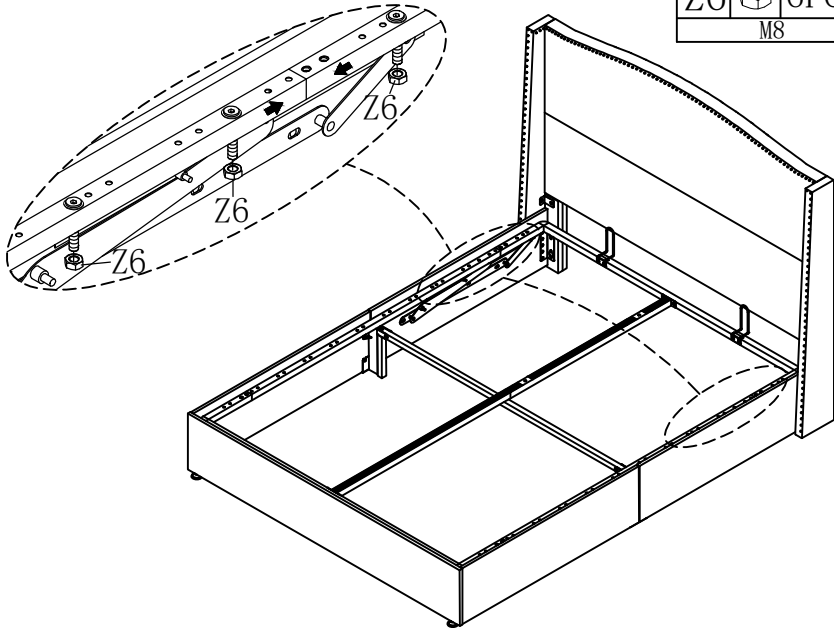
Z2		6PCS
M8*45mm		

## 15




Z6		6PCS
M8		

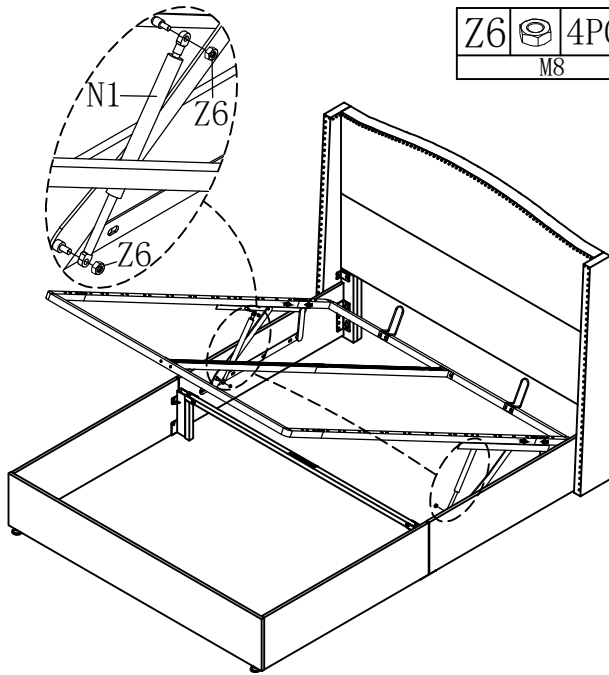
## 16



# ASSEMBLY INSTRUCTIONS

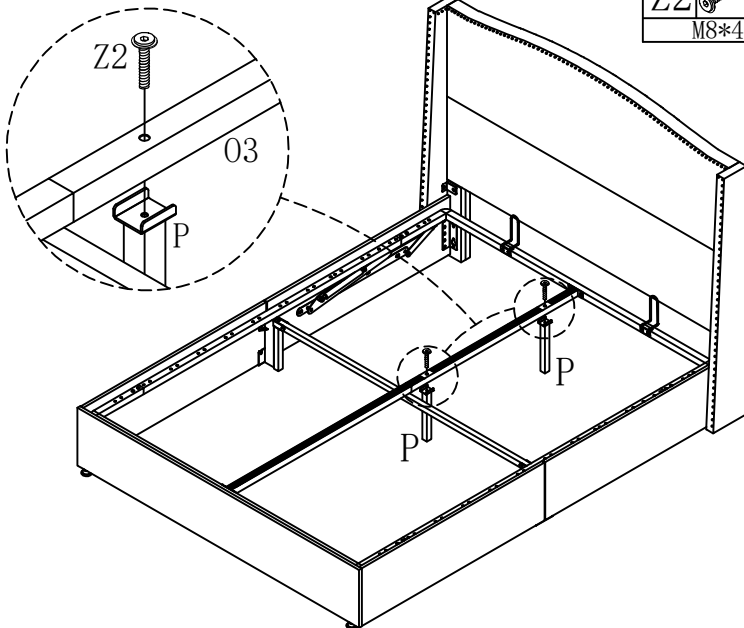
Z6		4PCS
M8		

## 17



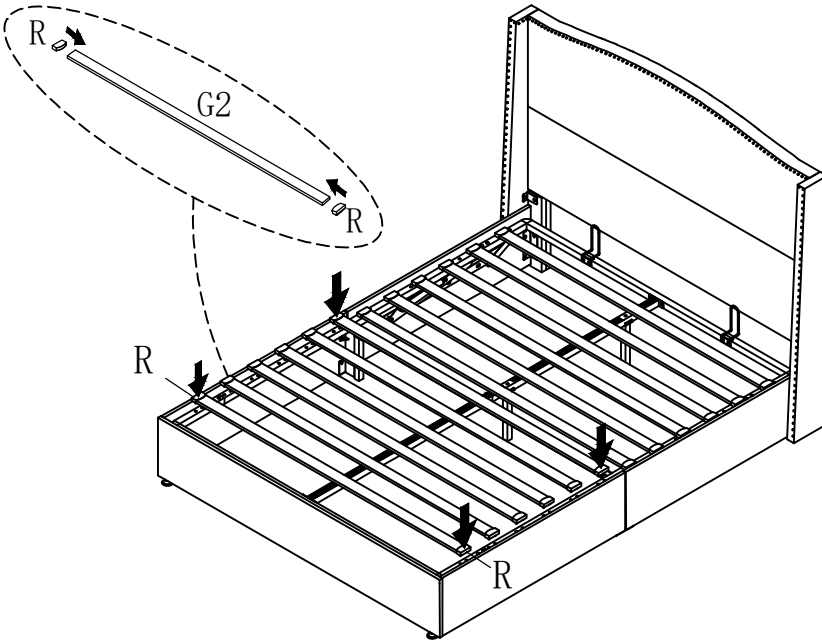
Z2		2PCS
M8*45mm		

## 18



# ASSEMBLY INSTRUCTIONS

19



20

