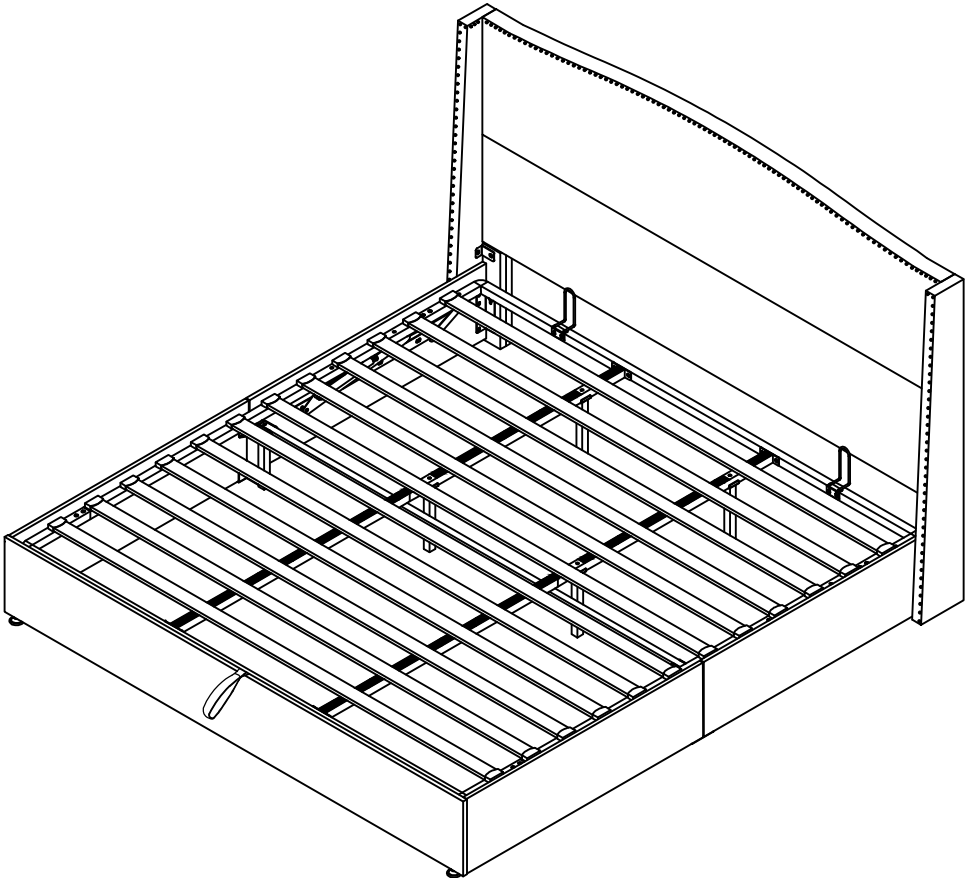


Upholstered Platform Bed with Tufted Wingback Headboard.

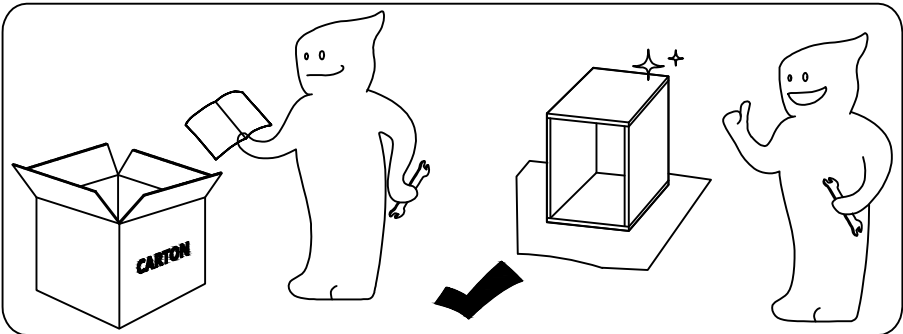
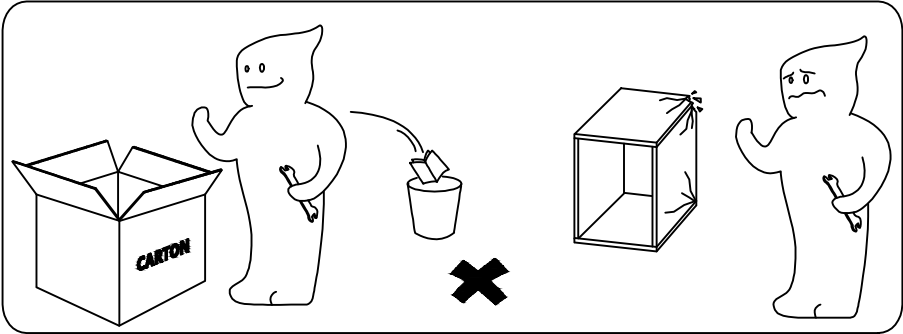


Dear Customers,

Thank you for purchasing our product. Please read this instruction manual carefully after receiving this product. It will help you assemble this product quickly, safely and correctly. You can keep this manual for future reference.



Please follow the instruction manuals and use a pad to protect the product during your assembly.



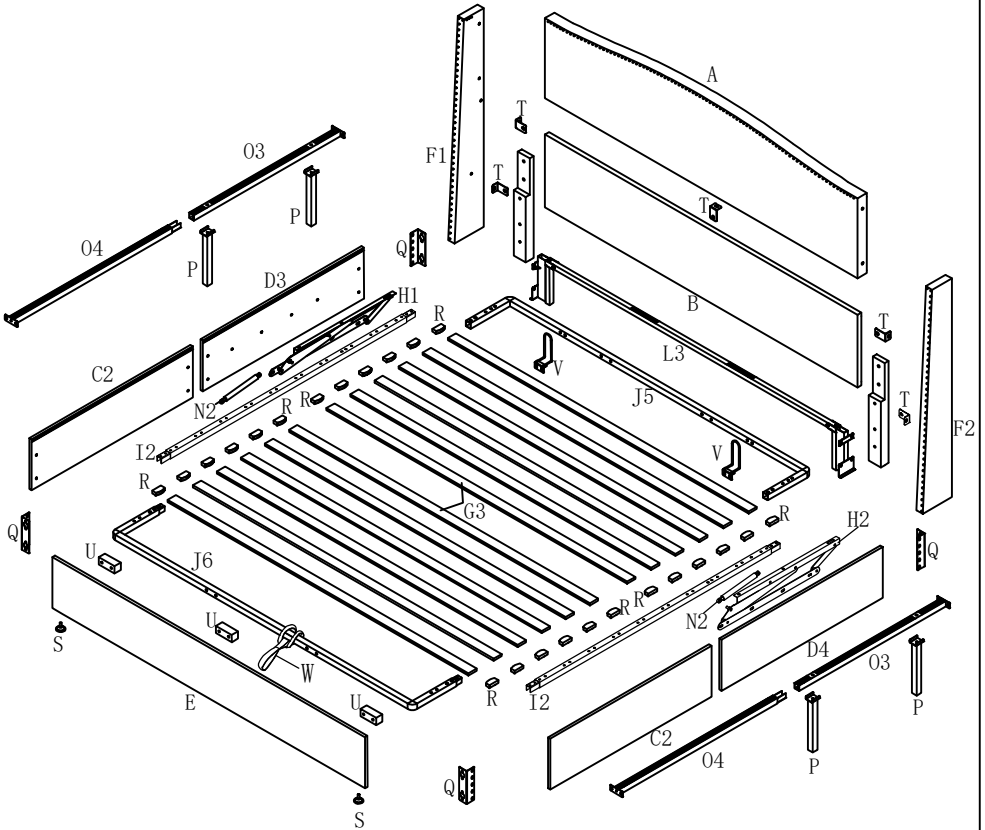
Note:

1. Should be assembled on flat ground to keep balance.
2. Before completing the installation, do not tighten the screws.

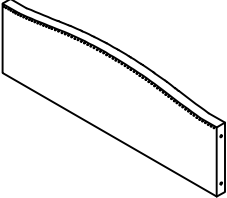
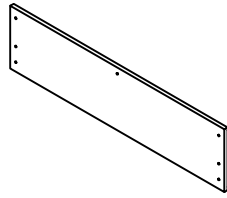
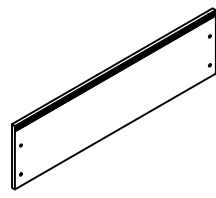
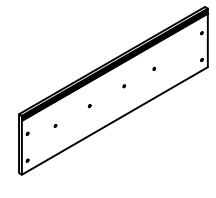
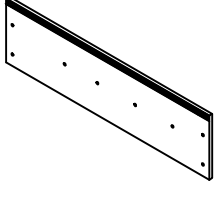
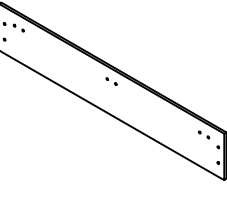
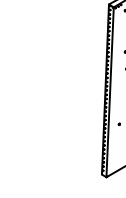
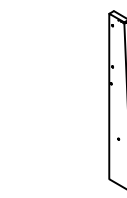
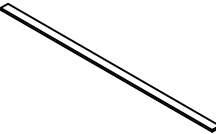
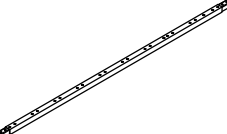
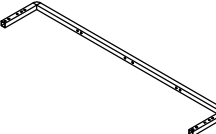
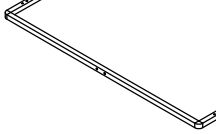
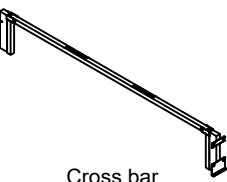
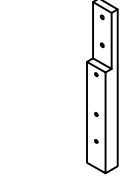
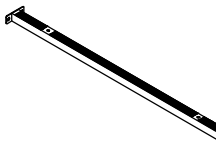

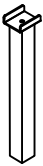
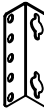
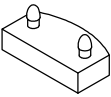
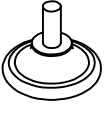


For easier and better assembly, 2 or more adults are required.

ASSEMBLY INSTRUCTIONS


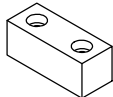
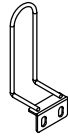
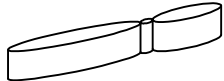


The Box 1 Part List

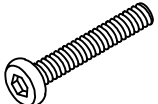
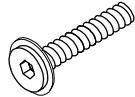
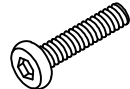
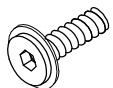
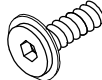
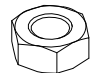

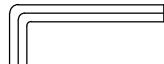
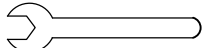
<p>A 1PC</p>  <p>Top headboard</p>	<p>B 1PC</p>  <p>Bottom headboard</p>	<p>C2 2PCS</p>  <p>Rear bed side</p>	<p>D3 1PC</p>  <p>Left front bed side</p>
<p>D4 1PC</p>  <p>Right front bed side</p>	<p>E 1PC</p>  <p>Footboard</p>	<p>F1 1PC</p> 	<p>F2 1PC</p> 
<p>G3 12PCS</p> 	<p>I2 2PCS</p> 	<p>J5 1PC</p> 	<p>J6 1PC</p> 
<p>L3 1PC</p>  <p>Cross bar</p>	<p>M 2PCS</p> 	<p>O3 2PCS</p>  <p>Front Middle support bar</p>	<p>O4 2PCS</p>  <p>Rear middle support bar</p>
<p>P 4PCS</p>  <p>Support leg</p>	<p>Q 4PCS</p>  <p>Connector</p>	<p>R 24PCS</p> 	<p>S 2PCS</p>  <p>Leg</p>

ASSEMBLY INSTRUCTIONS

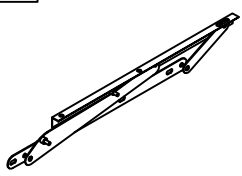
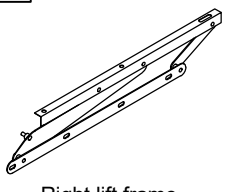
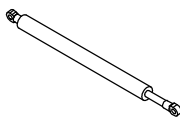
The Box 1 Part List

T	5PCS	U	3PCS	V	2PCS	W	1PC
 <p>Connector</p>							

The Box 1 Hardware List

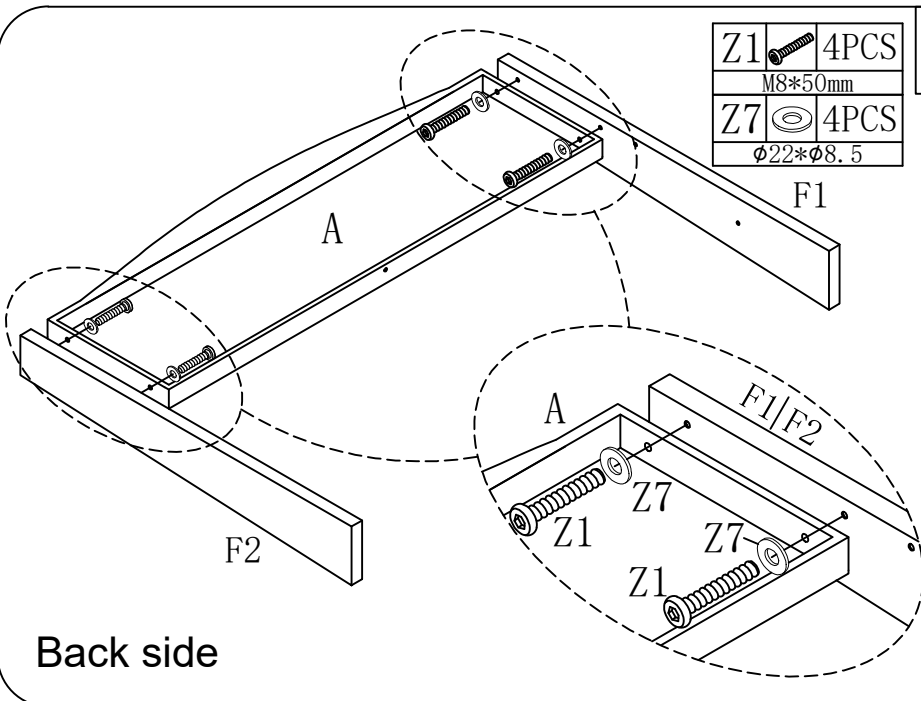
Z1	8PCS	Z2	18PCS	Z3	12PCS
 <p>M8*50mm</p>		 <p>M8*45mm</p>		 <p>M8*30mm</p>	
Z4	13PCS	Z5	41PCS	Z6	10PCS
 <p>M8*25mm</p>		 <p>M8*18mm</p>		 <p>M8</p>	
Z7	8PCS	Z8	1PC	Z9	1PC
 <p>φ22*φ8.5</p>		 <p>M8 Spanner</p>		 <p>M8</p>	

The Box 2 Part List

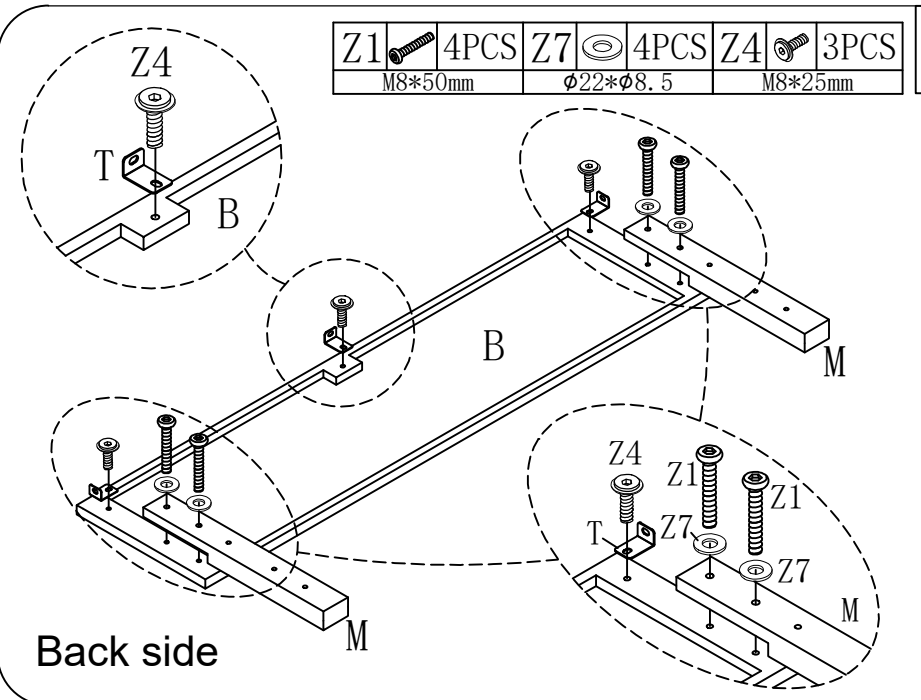
H1	1PC	H2	1PC	N2	2PCS
 <p>Left lift frame</p>		 <p>Right lift frame</p>		 <p>Hydraulic rod</p>	

ASSEMBLY INSTRUCTIONS

1





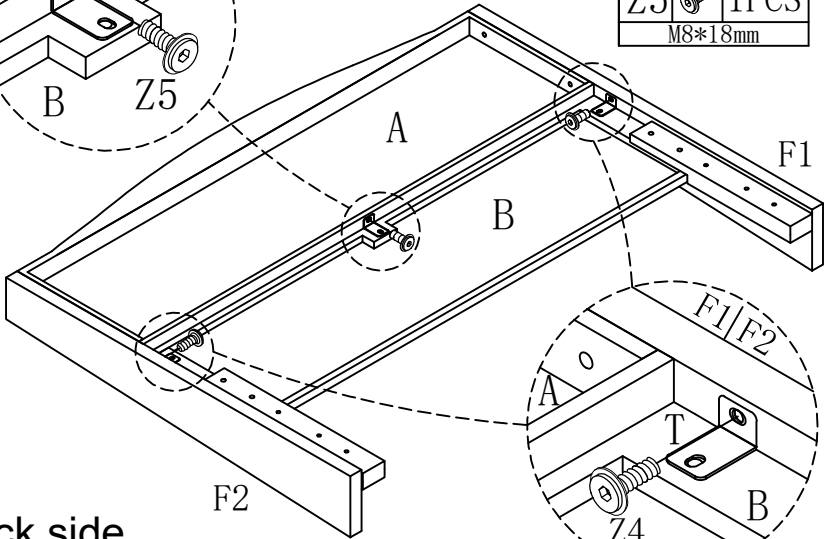
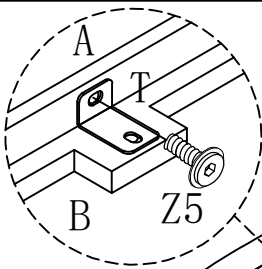
2



ASSEMBLY INSTRUCTIONS

3

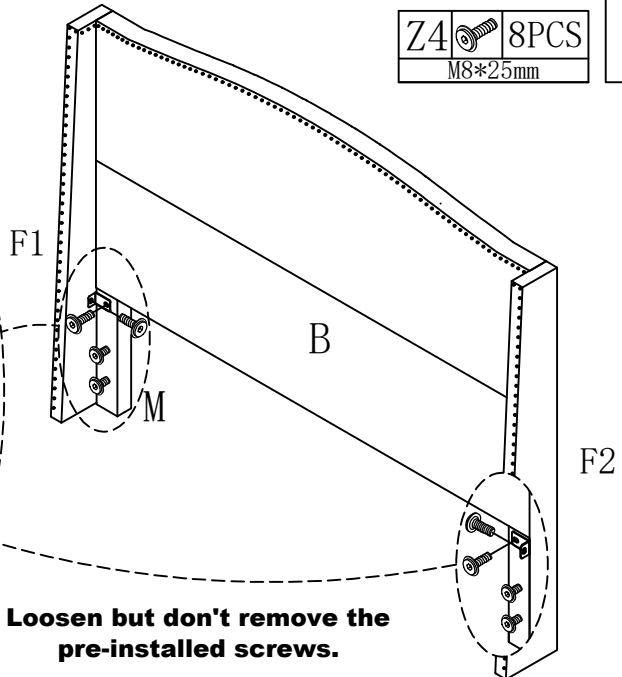
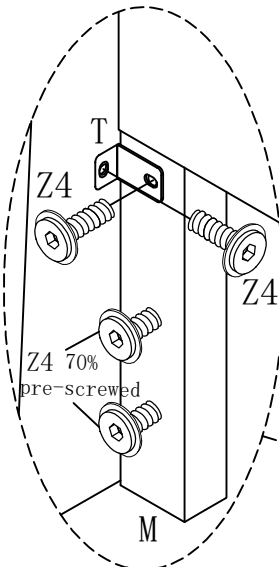
Z4		2PCS
M8*25mm		
Z5		1PCS
M8*18mm		



Back side

4

Z4		8PCS
M8*25mm		

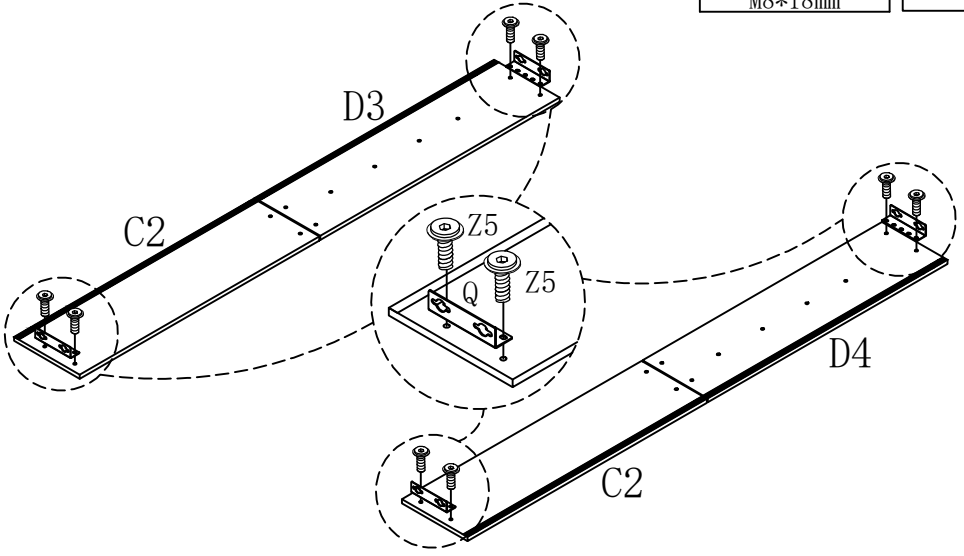


Loosen but don't remove the pre-installed screws.

ASSEMBLY INSTRUCTIONS

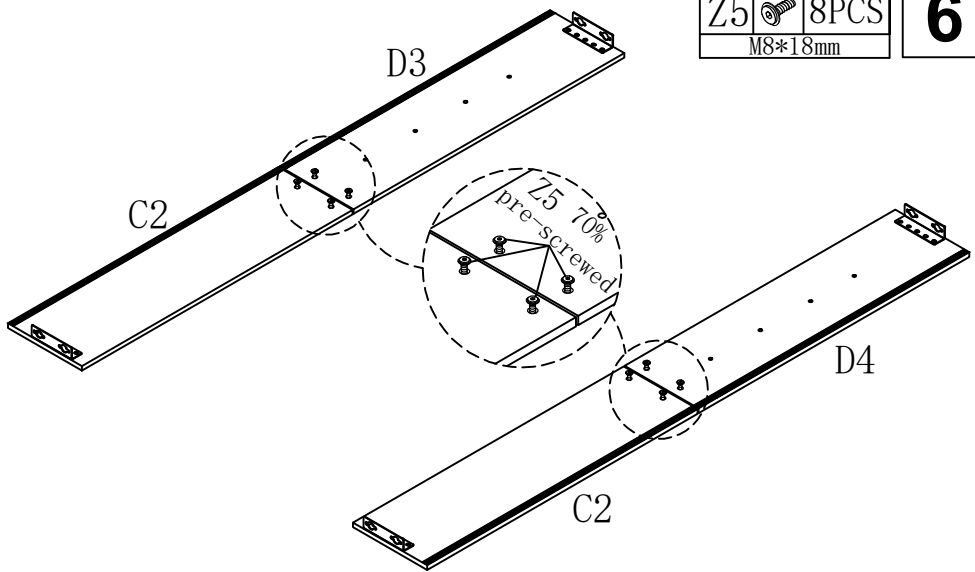
Z5		8PCS
M8*18mm		

5



Z5		8PCS
M8*18mm		

6

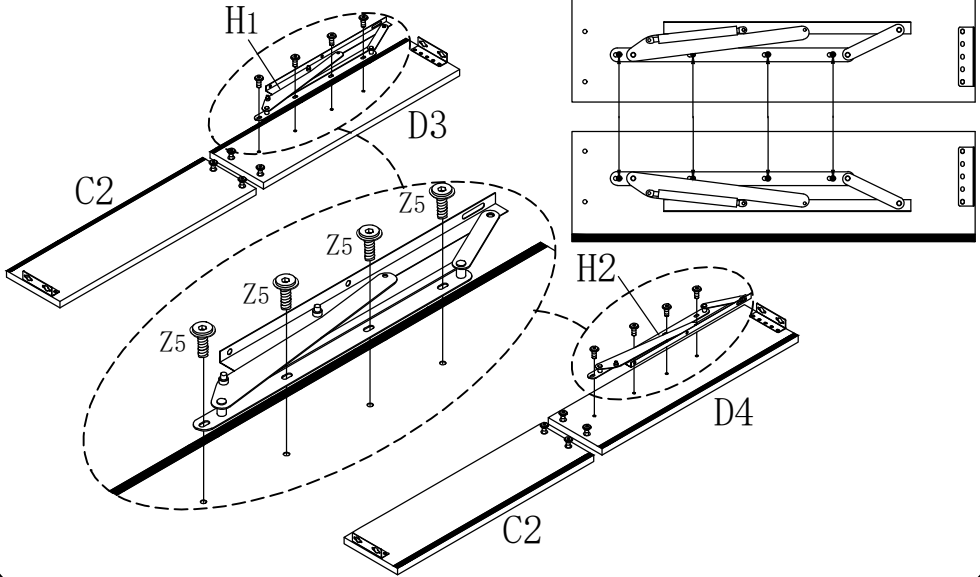




Loosen but don't remove the pre-installed screws.

ASSEMBLY INSTRUCTIONS

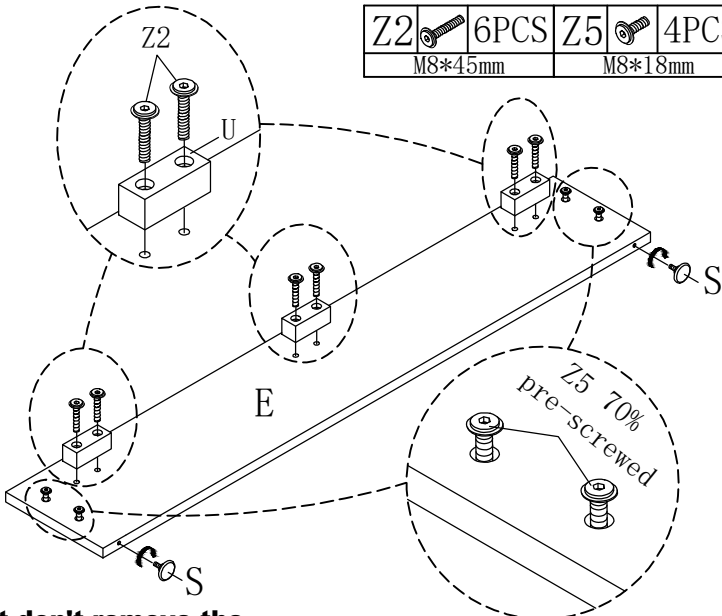
Z5		8PCS
M8*18mm		

7



Z2		6PCS	Z5		4PCS
M8*45mm			M8*18mm		

8

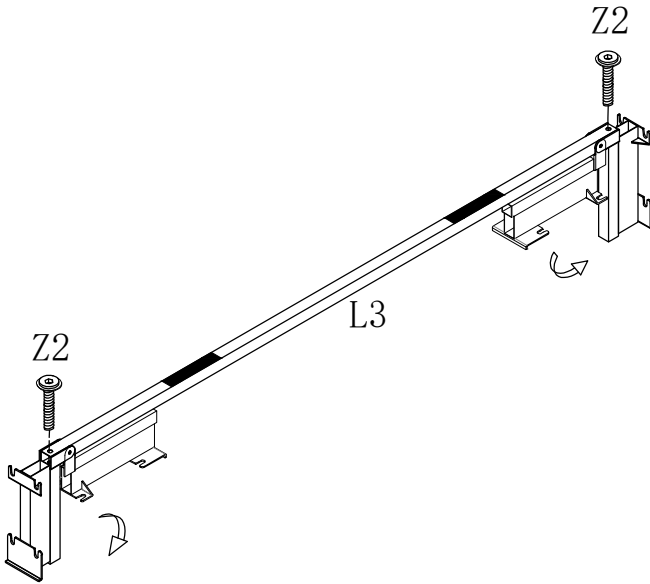


Loosen but don't remove the pre-installed screws.

ASSEMBLY INSTRUCTIONS

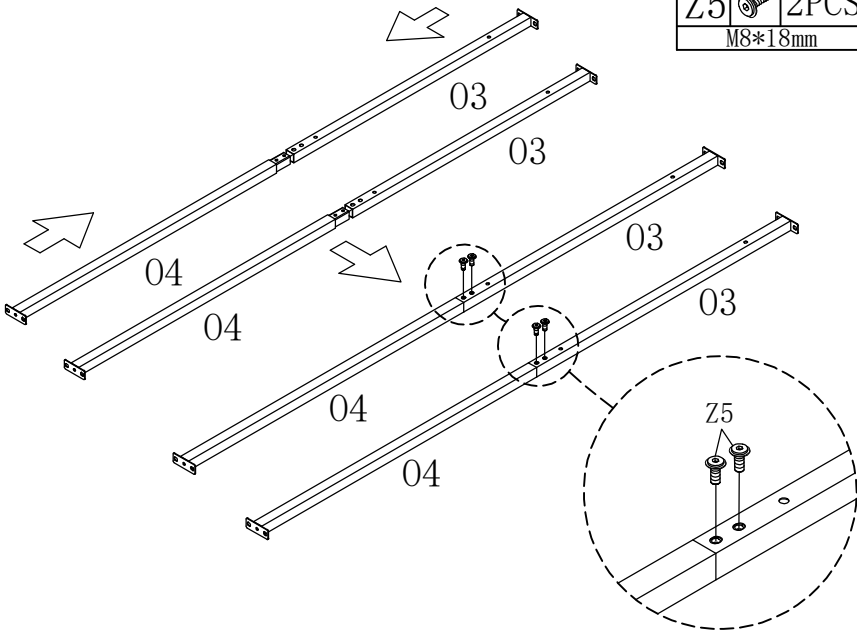
Z2		2PCS
M8*45mm		

9



Z5		2PCS
M8*18mm		

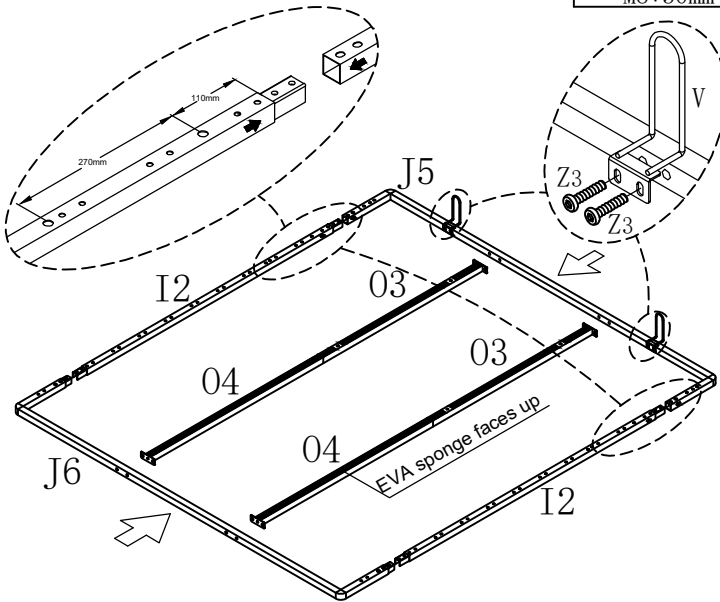
10





ASSEMBLY INSTRUCTIONS

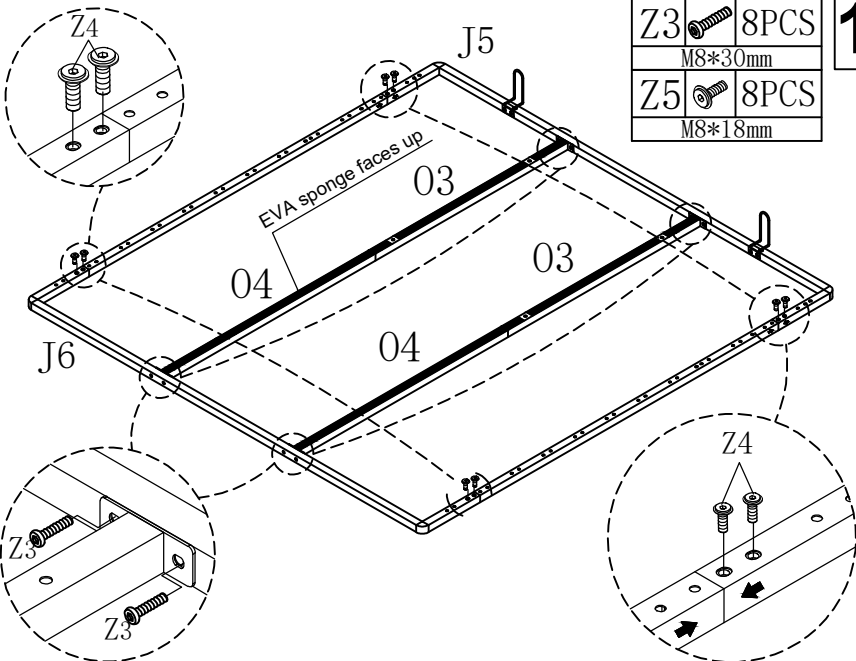
Z3		4PCS
M8*30mm		

11

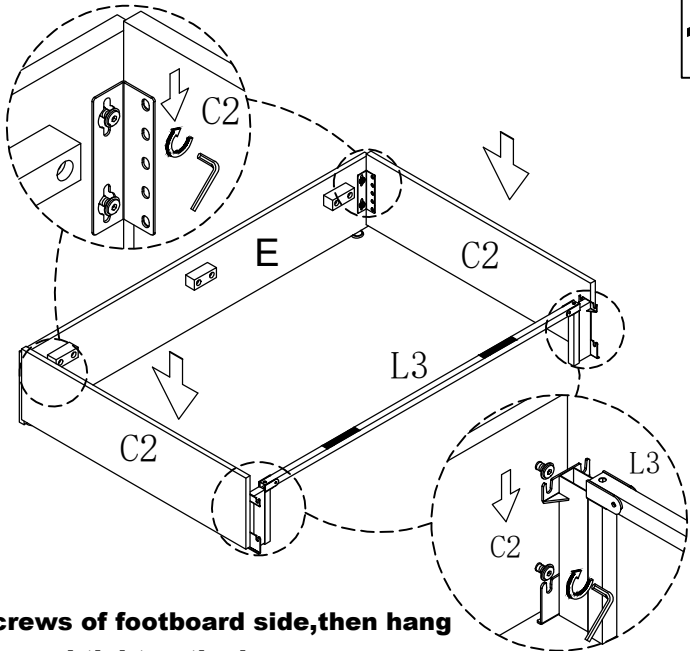


Z3		8PCS
M8*30mm		
Z5		8PCS
M8*18mm		

12

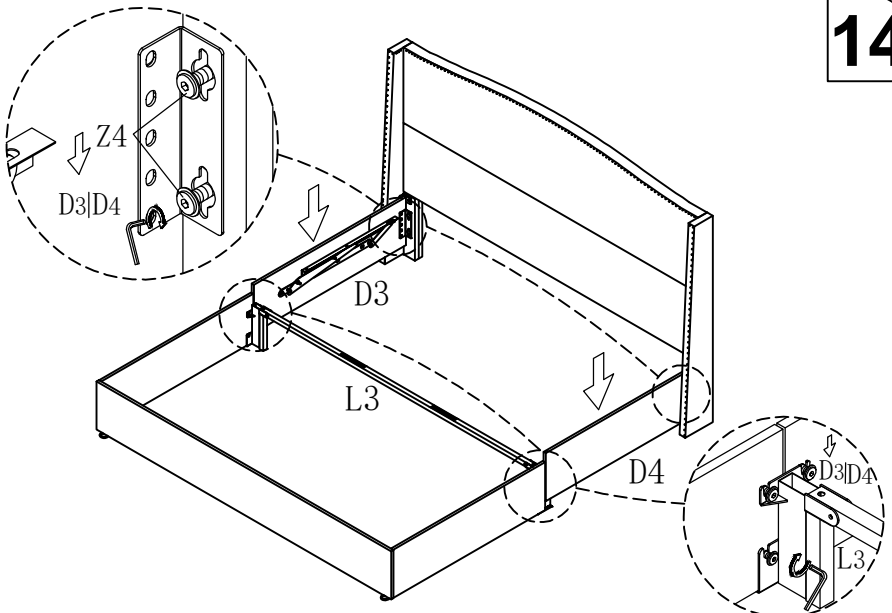


13



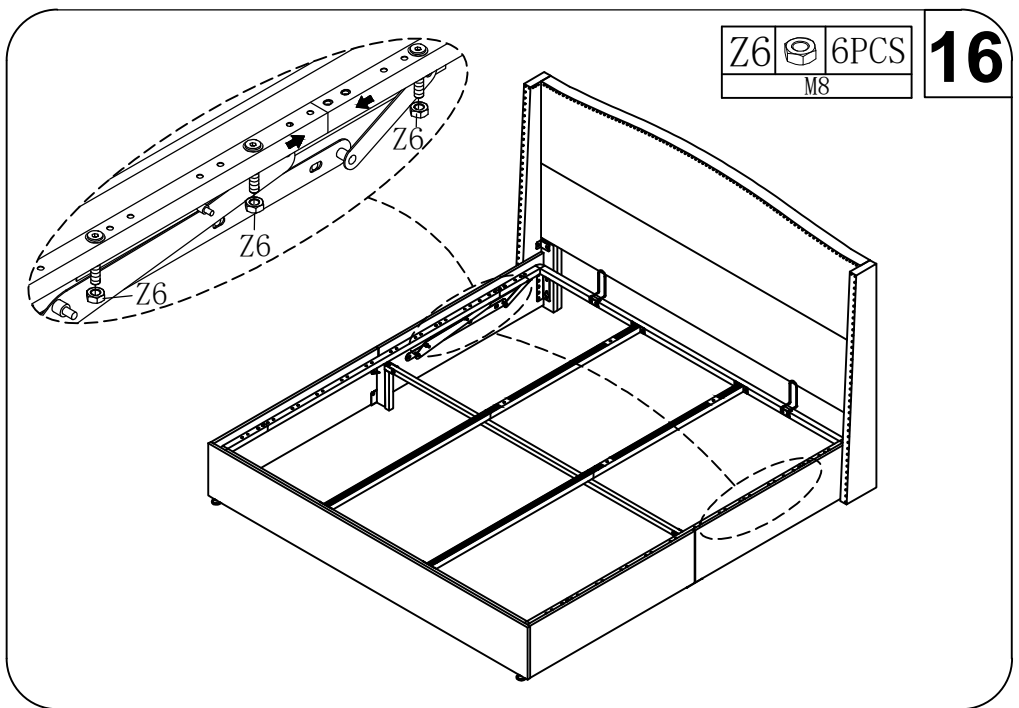
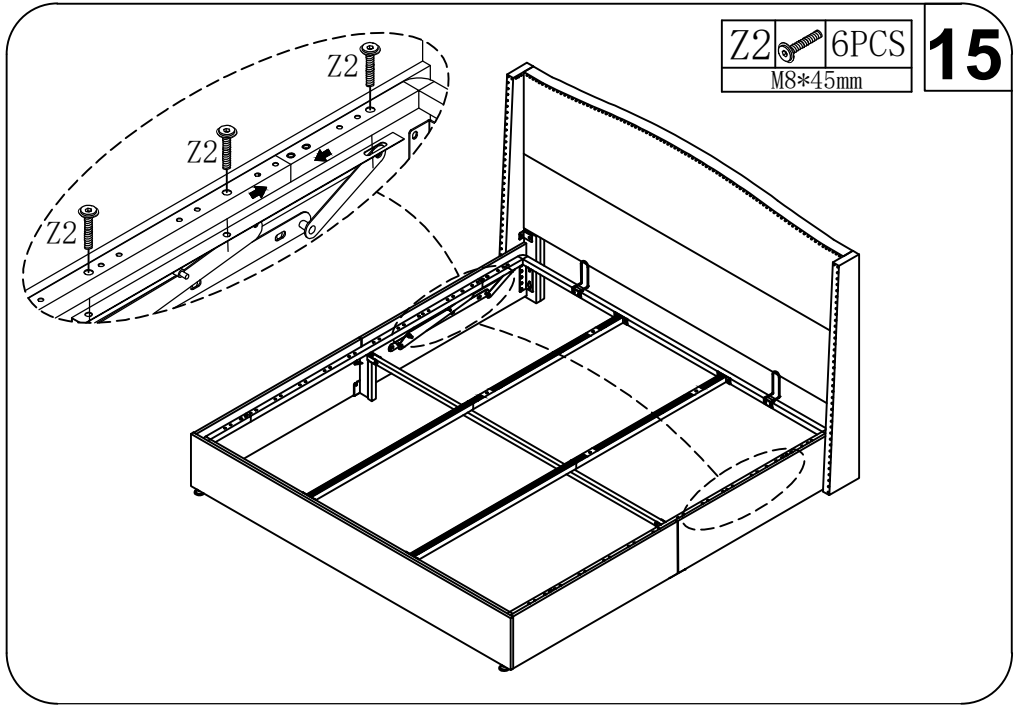
Loosen the screws of footboard side, then hang the bracket on and tighten the innerscrew.

14



Loosen the screws of headboard side leg, then hang the bracket on and tighten the innerscrew.

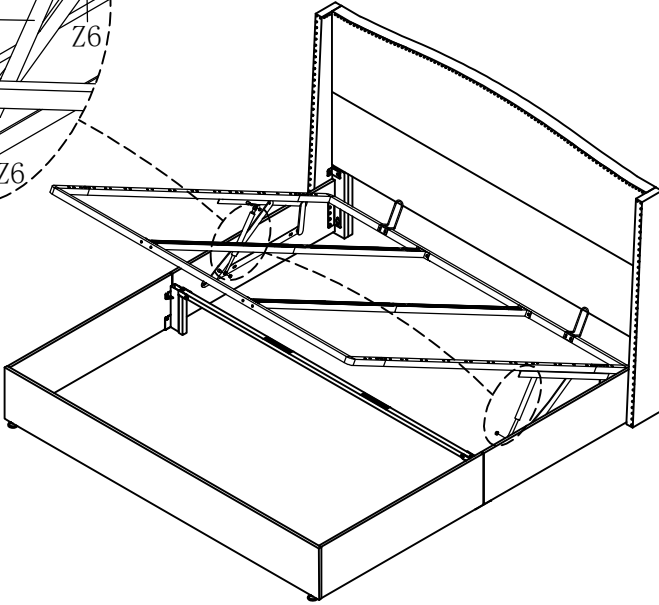
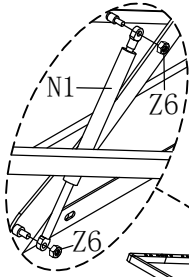
ASSEMBLY INSTRUCTIONS



ASSEMBLY INSTRUCTIONS

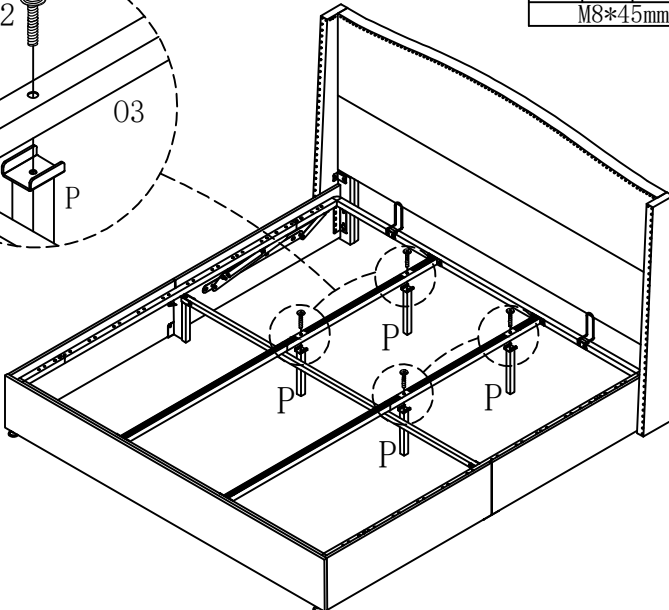
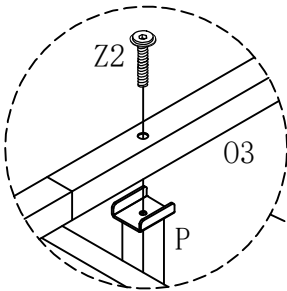
Z6		4PCS
M8		

17



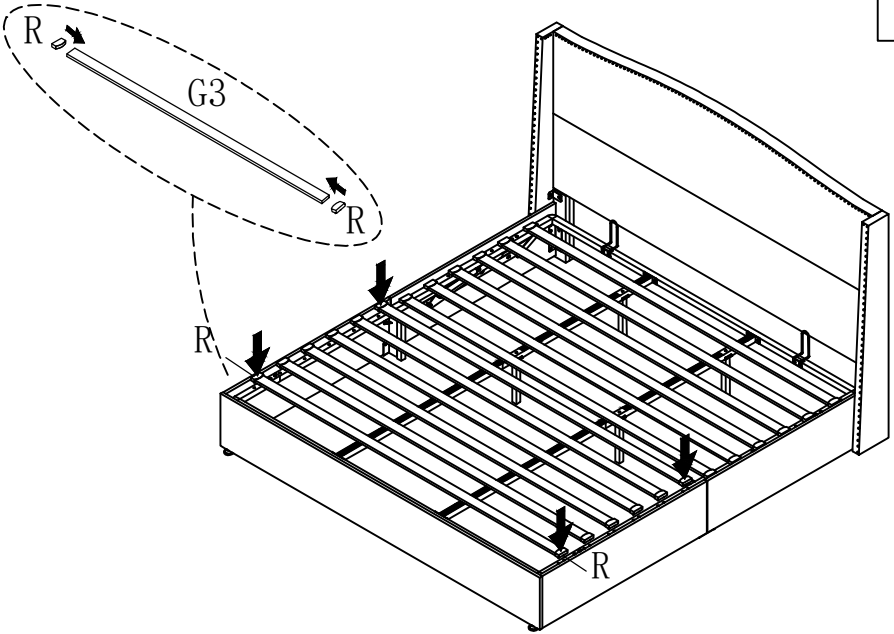
Z2		4PCS
M8*45mm		

18

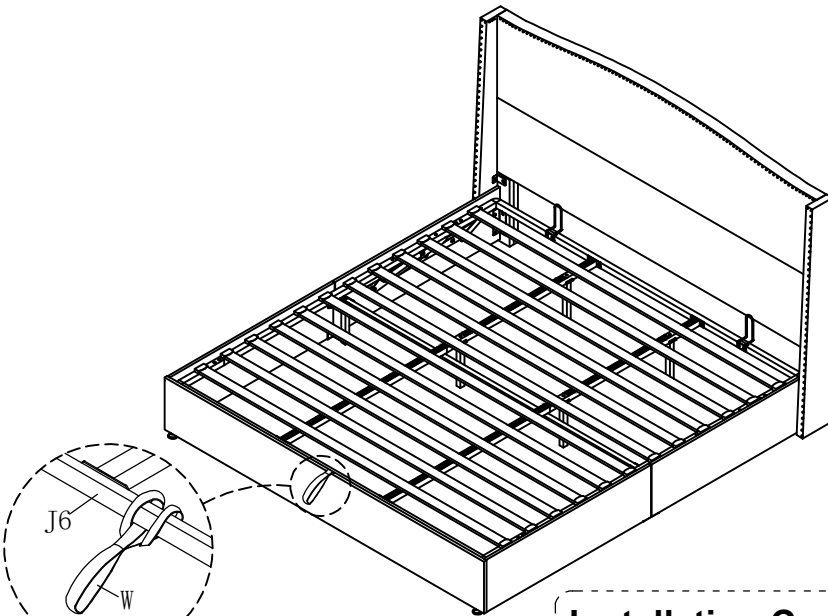


ASSEMBLY INSTRUCTIONS

19



20



Installation Complete