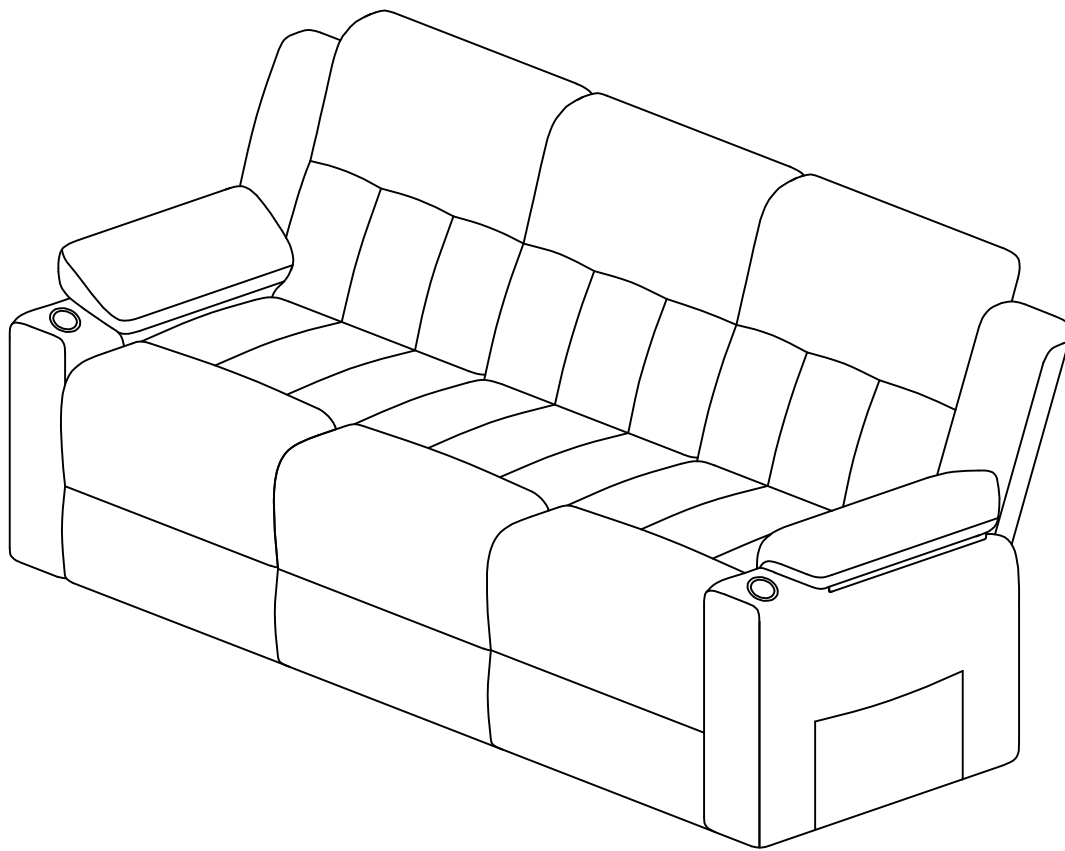


SOFA

Assembly Instruction

SKU:1063040003B/1063040004B/1063040005B
/1063040006B



▲ NOTE:

The production with FOUR PACKAGES, come with FOUR TRACKINGS, may not be delivered at the same time.

Any question please feel free to contact us:

support@merluxyhome.com
TEL:901-347-2181

We will provide further assistance within 24 hours.



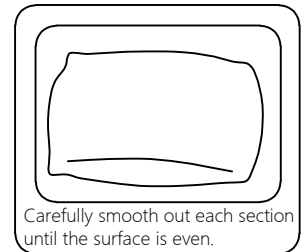
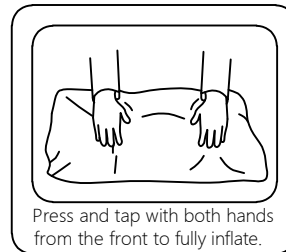
Safety and care advice

Important—Please read these instructions fully before starting assembly

Thanks for your purchase. Before the assembly please follow the instructions to check if all the spare parts and screws are intact.

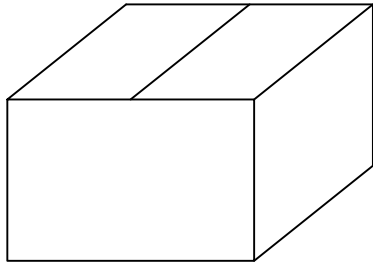
- Considering the size and weight of the sofa, we recommend two adults to assemble the sofa, on a carpeted or padded area, in the room that it is intended for. Approximate assembly time: 30 minutes.
- Please do not throw away any of the packaging or the instruction until you have checked all the components and hardware and the furniture is fully assembled. Please ensure that the packaging is disposed in a safe and environmentally friendly way.
- Keep all components and packaging out of reach of children or animals to avoid the risk of choking or suffocation.
- Please do not take off the cover, and do not wash.

Your cushions come vacuum packed and sealed for shipping. To restore the cushion's original shape, follow the steps below.



After packing up, place them in somewhere dry and ventilated. After about 72-96 hours, it can be restored to the best use condition.

BOX1



Left position

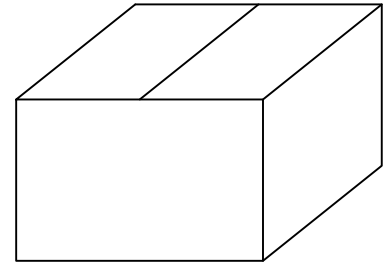
(A-2)  Armrest(L) x1

(A-5)  Backrest Cover (L) x1


Right position

(C-2)  Armrest(R) x1


BOX2



Left position

(A-1)  Functional Seat Frame(L) x1

(A-4)  Back Frame (L) x1

(A-3)  Armrest Pad(L) x1

(A-6)  Wing(L) x1

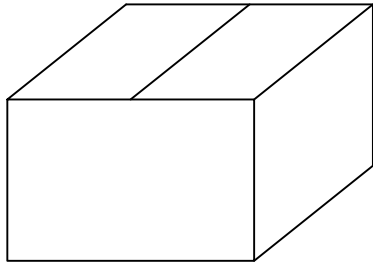
(a)  Washer x2

(b)  6*30 Bolts x2


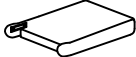

(c)  Allen Key x1

(1)  Latch x1

BOX3



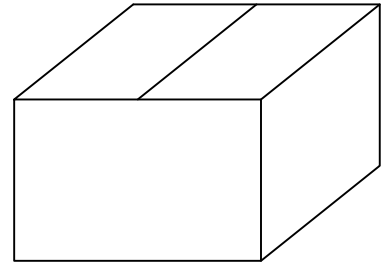
intermediate position

-  **B-1** Functional Seat Frame **x1**
-  **B-2** Back Frame **x1**
-  **B-3** Backrest Cover **x1**


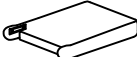






Right position

-  **C-5** Backrest Cover(R) **x1**

BOX4

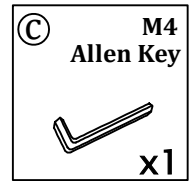
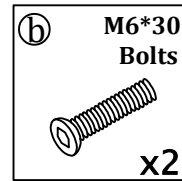
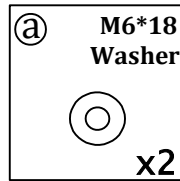


Right position

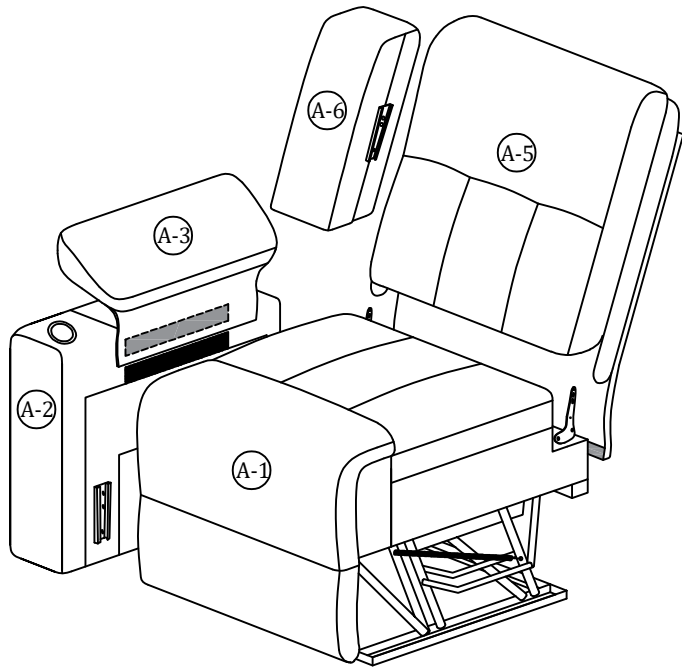
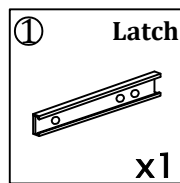
-  **C-1** Functional Seat Frame(R) **x1**
-  **C-4** Back Frame (R) **x1**
-  **C-3** Armrest Pad(R) **x1**
-  **C-6** Wing(R) **x1**
-  **a** Washer **x2**
-  **b** 6*30 Bolts **x2**
-  **c** Allen Key **x1**
-  **1** Latch **x1**

Assembly Instruction of Sofa

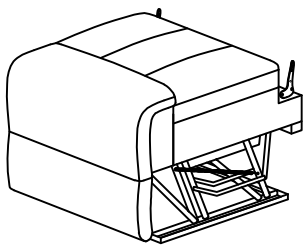
Hardware parts



Structural accessories

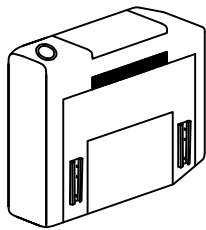


Main structure accessories



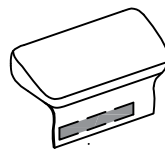
① 1pc

Functional Seat Frame(L)



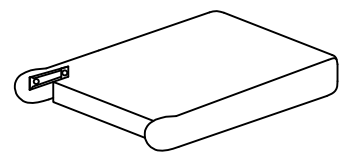
② 1pc

Armrest(L)



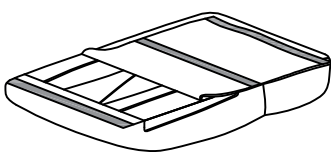
③ 1pc

Armrest Pad(L)



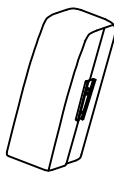
④ 1pc

Back Frame(L)



⑤ 1pc

Backrest Cover(L)

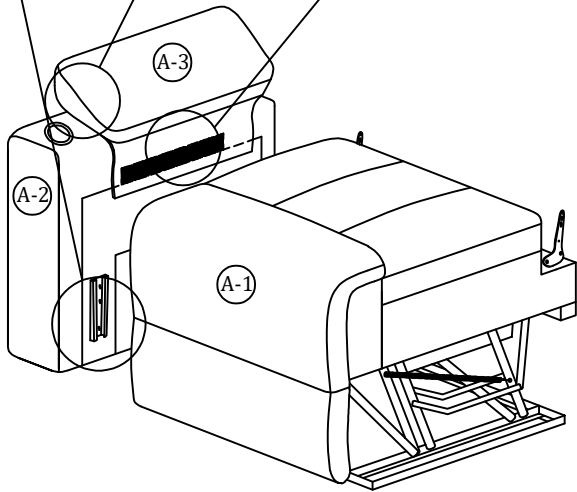
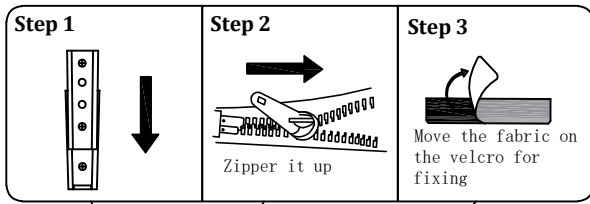


⑥ 1pc

Wing(L)

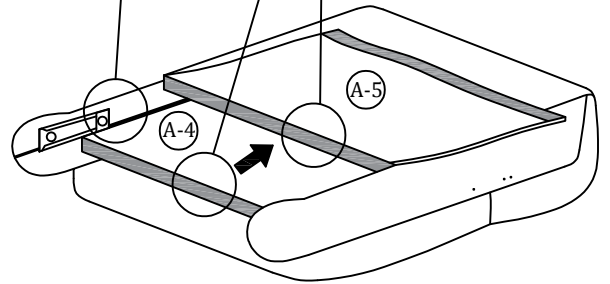
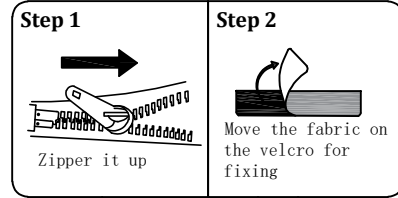
Assembly Instruction of Sofa

Step 1

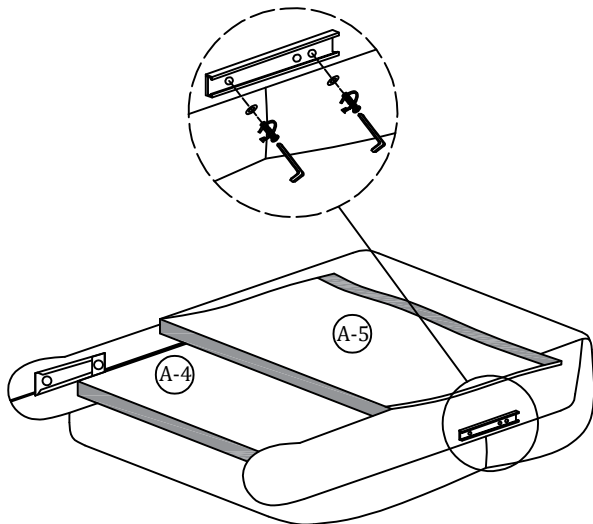


Step 2

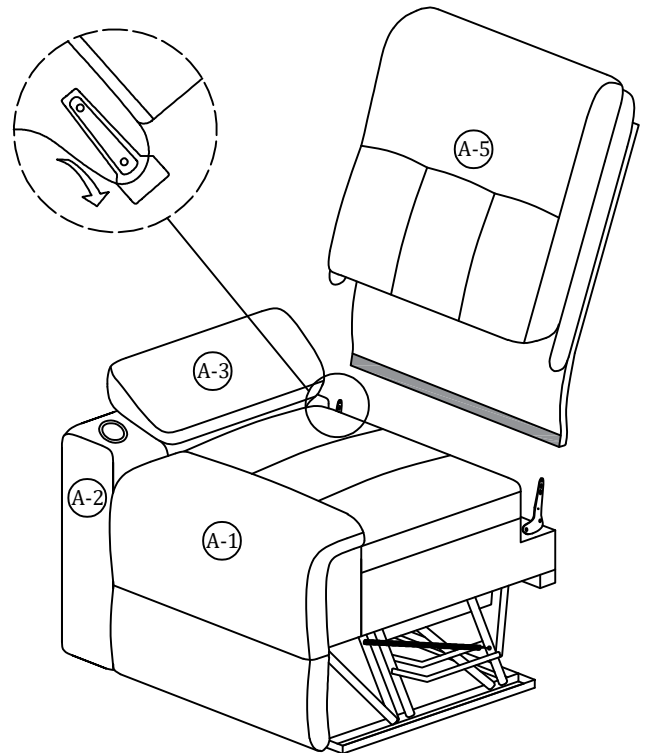
Insert A-4 into A-5 before sticking Velcro



Step 3



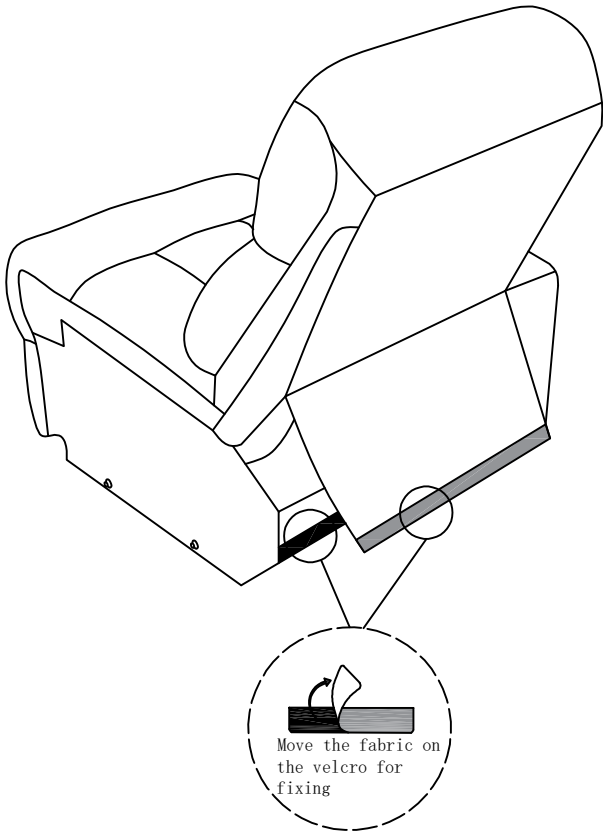
Step 4



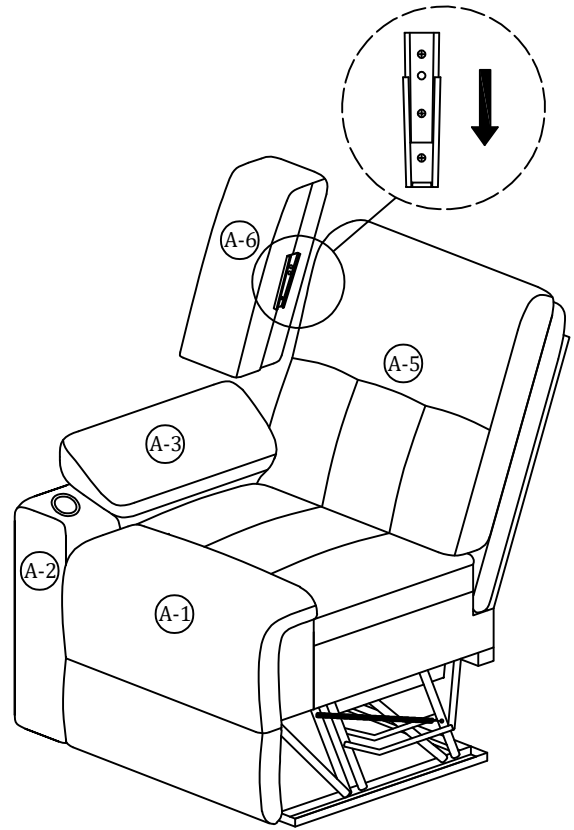
Ⓒ		x1	Ⓐ		x2
Ⓑ		x2	①		x1

Assembly Instruction of Sofa

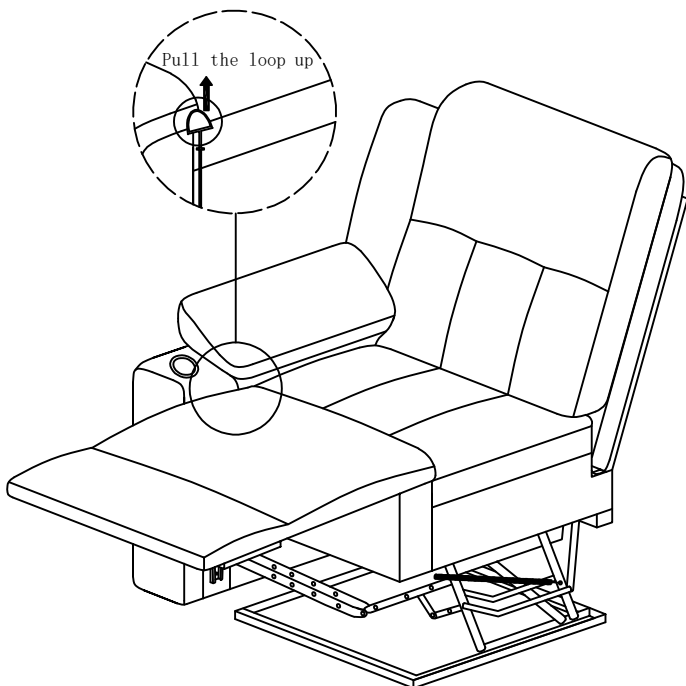
Step 5



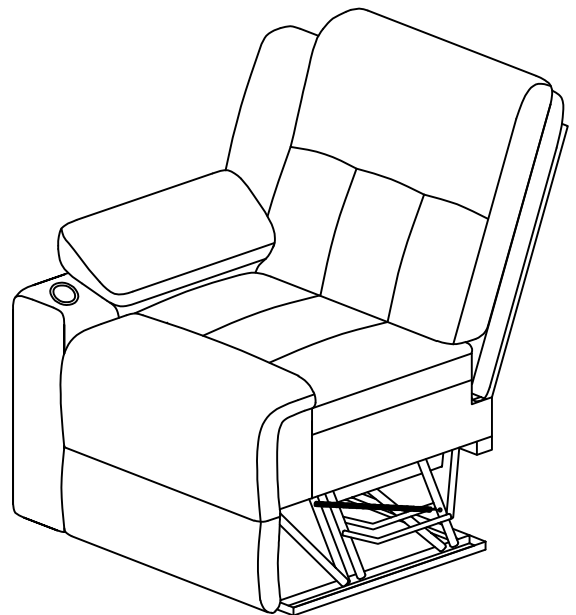
Step 6



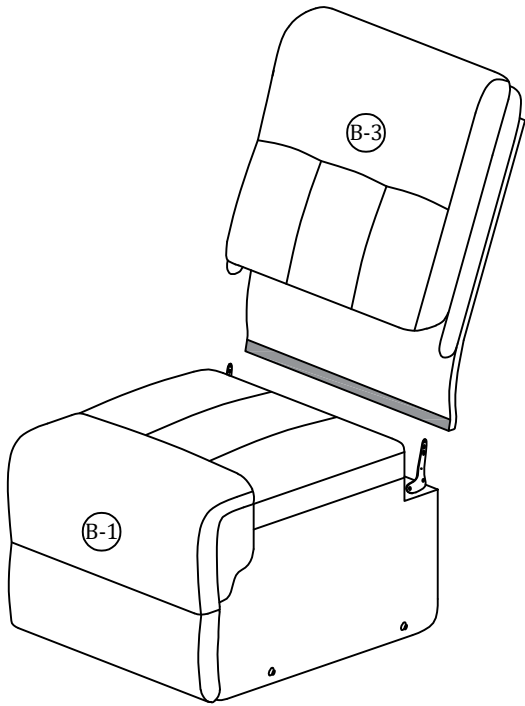
Step 7



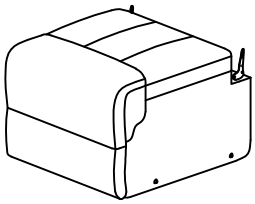
Step 8



Assembly Instruction of Sofa

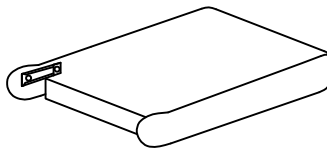


Main structure accessories



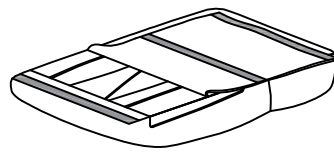
(B-1) 1pc

Functional Seat Frame



(B-2) 1pc

Back Frame



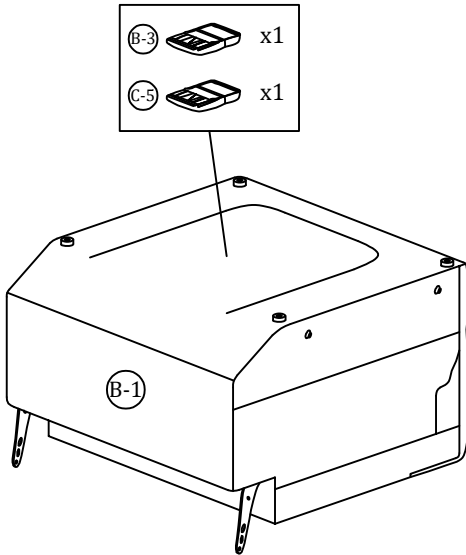
(B-3) 1pc

Backrest Cover

Assembly Instruction of Sofa

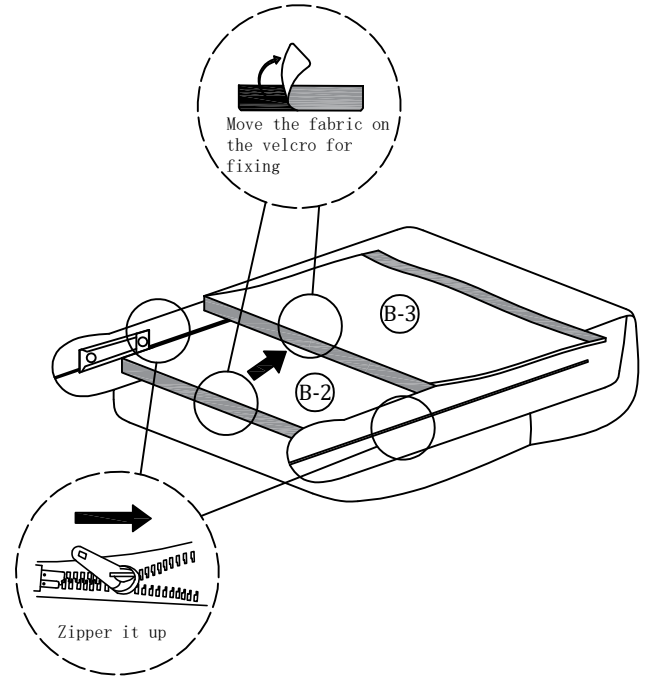
Step 1

Take out of B-3 and C-5 from the bottom of B-1

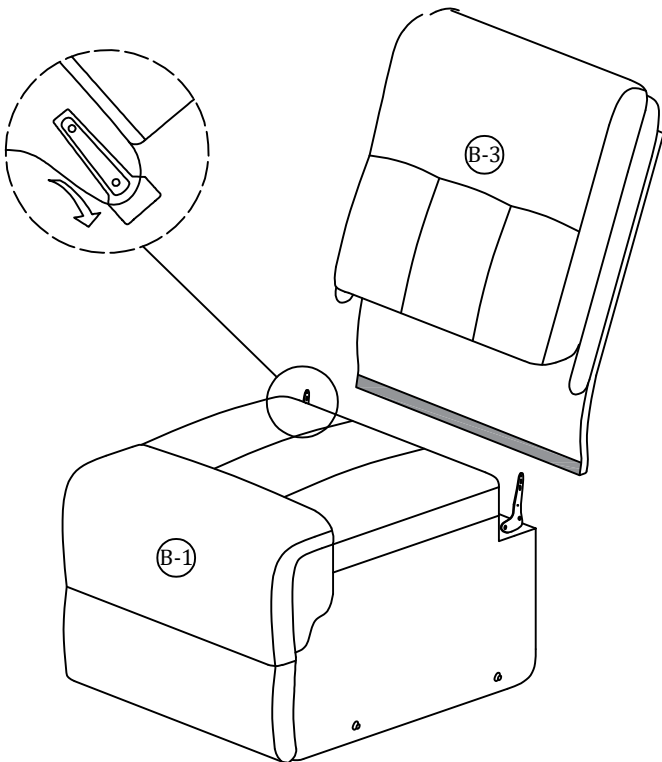


Step 2

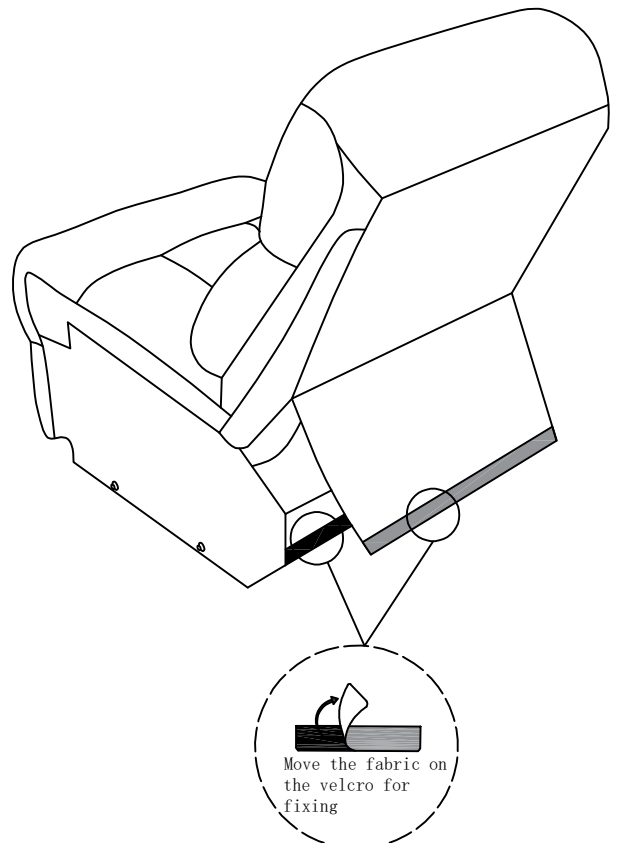
Insert B-2 into B-3 before sticking Velcro



Step 3

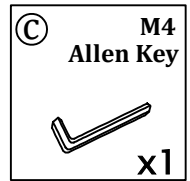
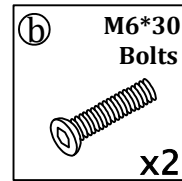
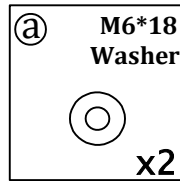


Step 4

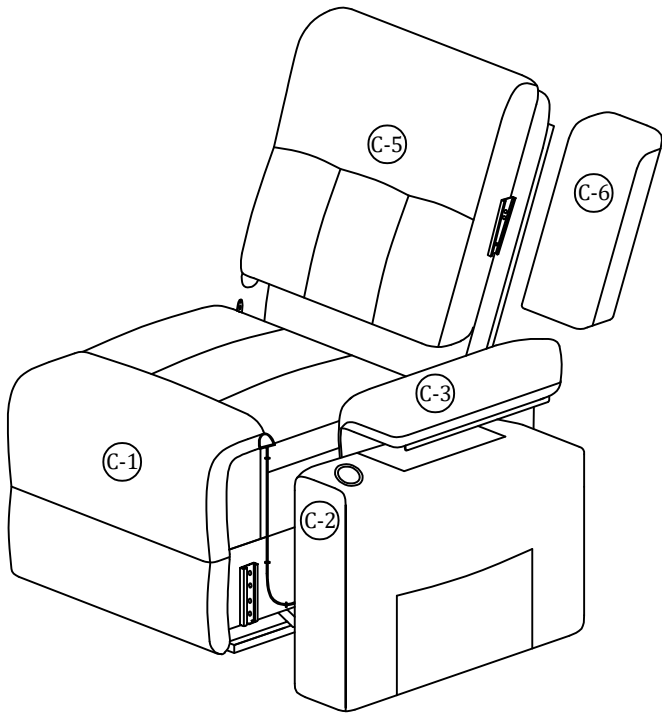
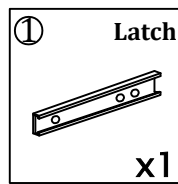


Assembly Instruction of Sofa

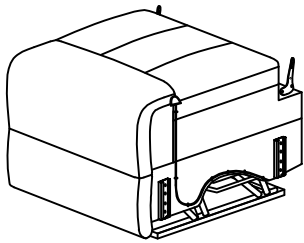
Hardware parts



Structural accessories

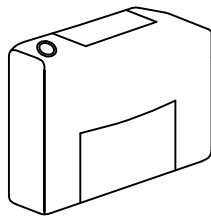


Main structure accessories



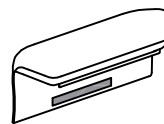
Ⓒ-1 1pc

Functional Seat Frame(R)



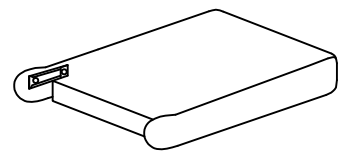
Ⓒ-2 1pc

Armrest(R)



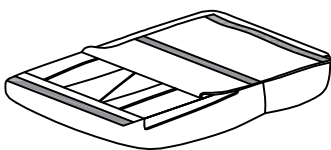
Ⓒ-3 1pc

Armrest Pad(R)



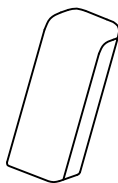
Ⓒ-4 1pc

Back Frame (R)



Ⓒ-5 1pc

Backrest Cover (R)

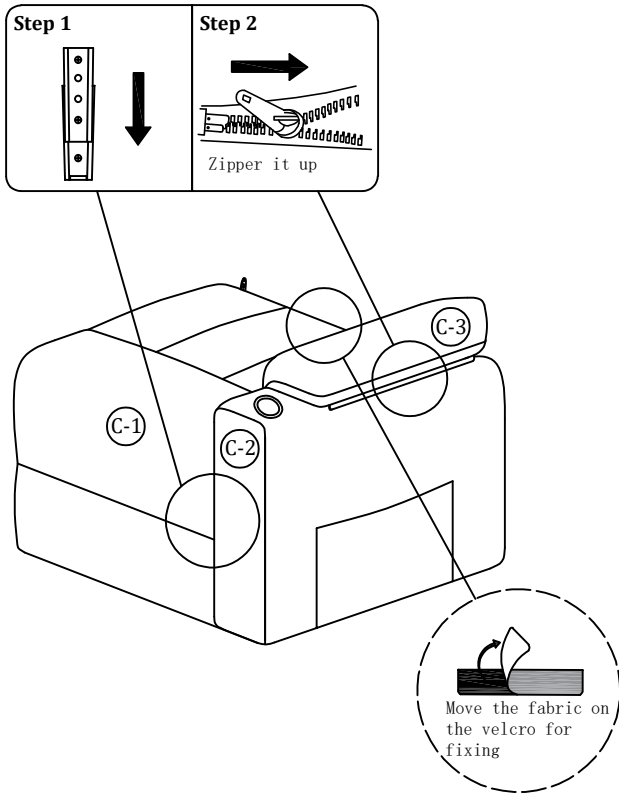


Ⓒ-6 1pc

Wing(R)

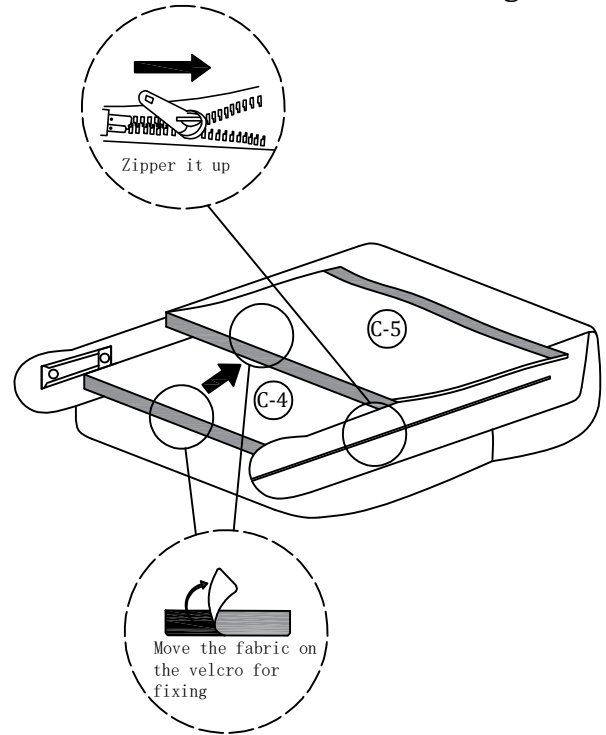
Assembly Instruction of Sofa

Step 1

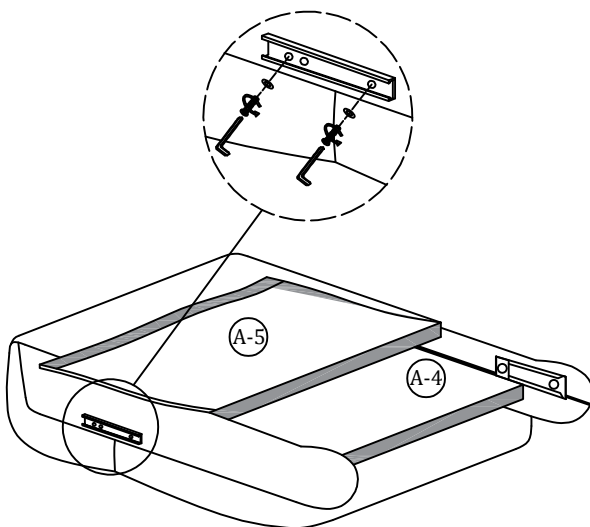


Step 2

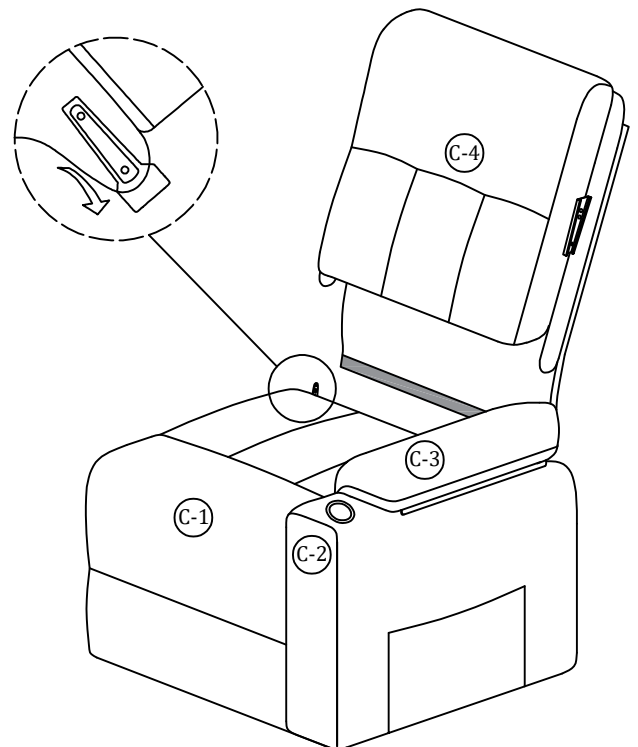
Insert C-4 into C-5 before sticking Velcro



Step 3



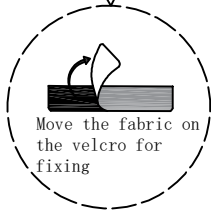
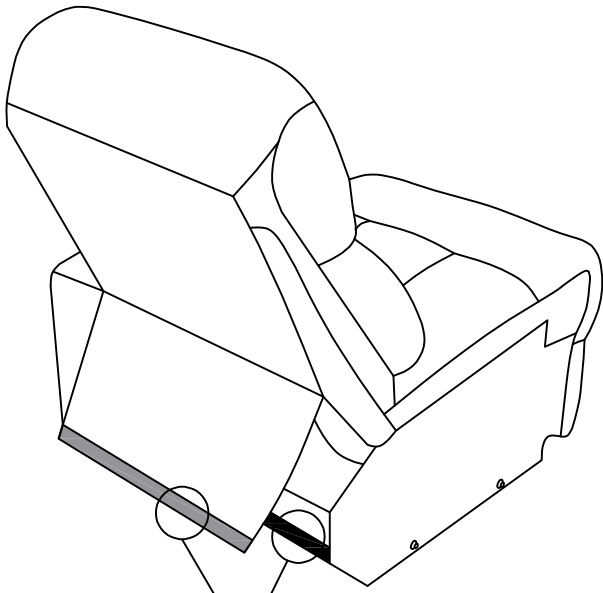
Step 4



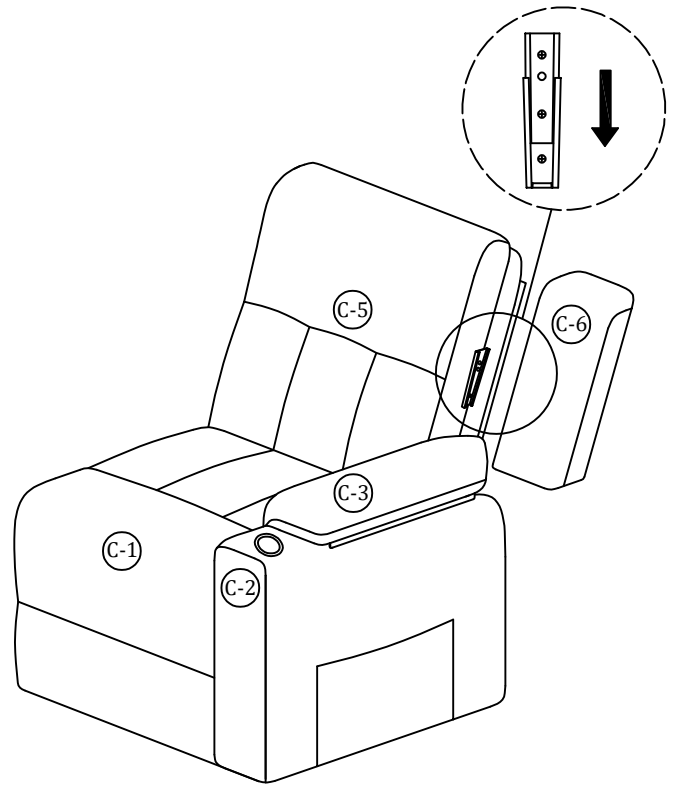
Ⓒ		x1	Ⓐ		x2
Ⓑ		x2	①		x1

Assembly Instruction of Sofa

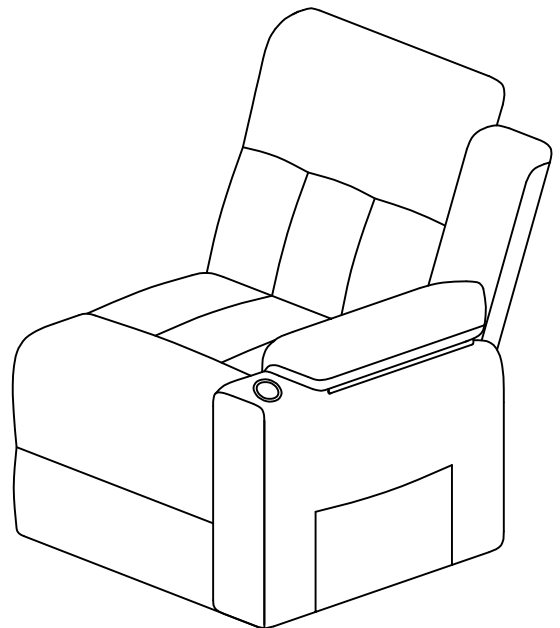
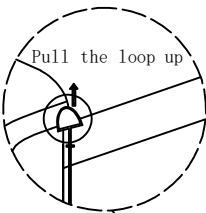
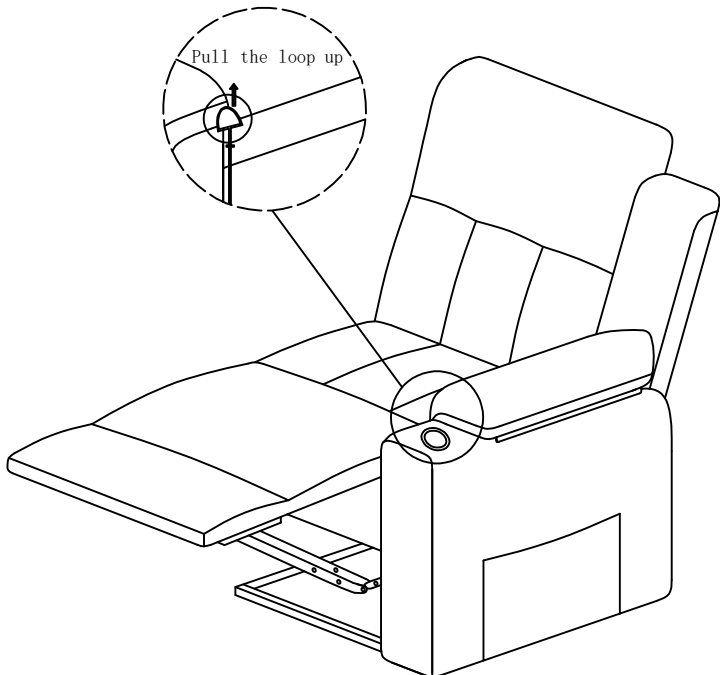
Step 5



Step 6

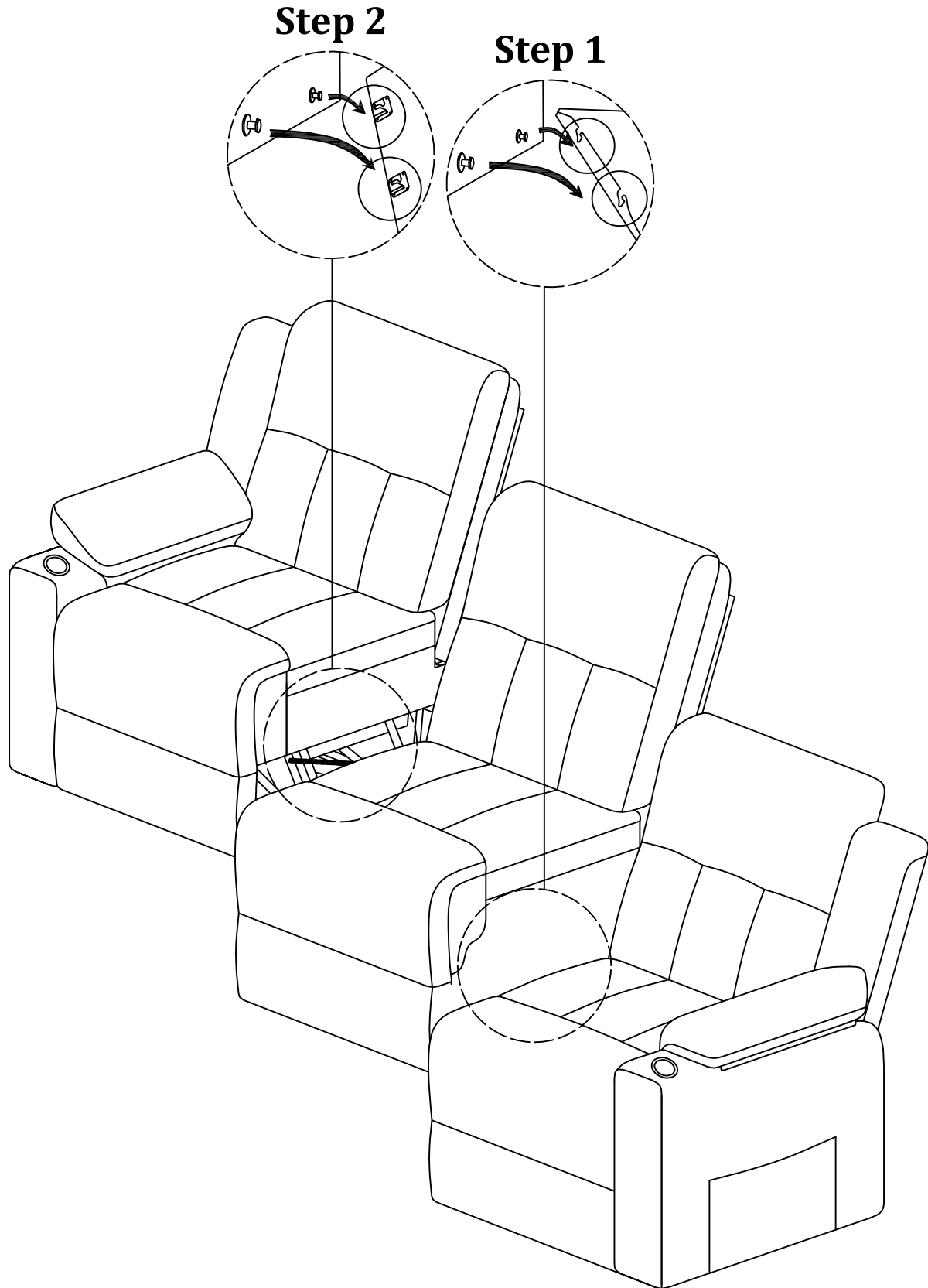


Step 7



Assembly Instruction of Sofa

Assemble from right to left.



Assembly Instruction of Sofa

