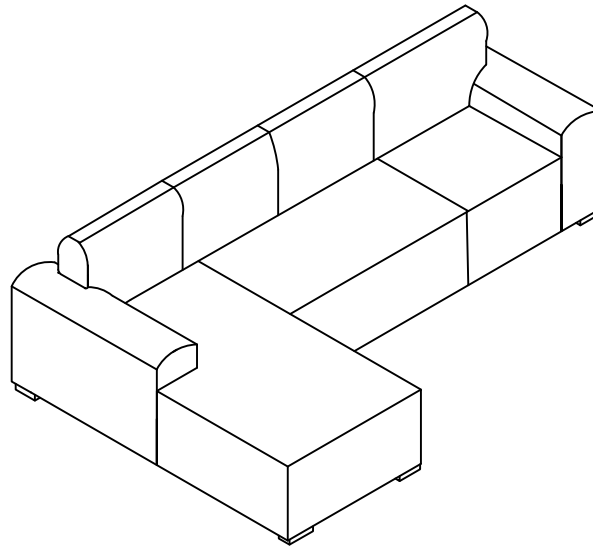


FLOOR-TO-CEILING BITE SOFA-3 SEATER

Assembly Instruction



Any question please feel free to contact us:
support@merluxyhome.com TEL: 901-347-2181
We will provide further assistance within 24 hours.

Dear Customers

Thank you for purchasing our product. Please read this instruction manual carefully after receiving this product. It will help you assemble this product quickly, safely and correctly. You can keep this manual for future reference.



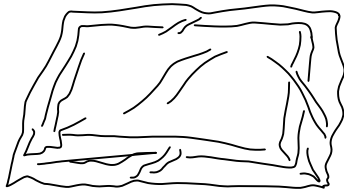
Safety and Care Advice

Important - Please read these instructions fully before starting assembly

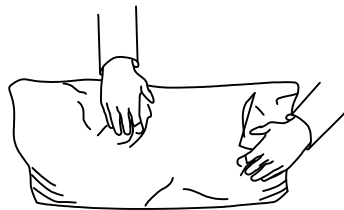
Thanks for your purchase. Before the assembly, please follow the instructions to check if all the spare parts and screws are intact.

- Considering the size and weight of the sofa, we recommend two adults to assemble the sofa, on a carpeted or padded area. in the room that it is intended for. Approximate assembly time: 30 minutes
- Keep all components and packaging out of reach of children or animals to avoid the risk of choking or suffocation.
- Please do not throw away any of the packaging or the instruction until you have checked all the components and hardware and the furniture is fully assembled. Please ensure that the packaging is disposed in a safe and environmentally friendly way.
- Please do not take off the cover, and do not wash.

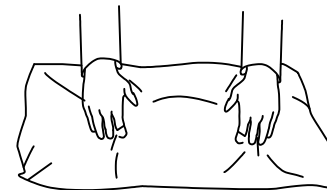
Your cushions come vacuum packed and sealed for shipping. To restore the cushion's original shape, follow the steps below.



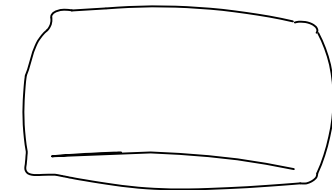
Open the vacuum bag carefully.



Press and tap with both hands from the side to fully inhale air.



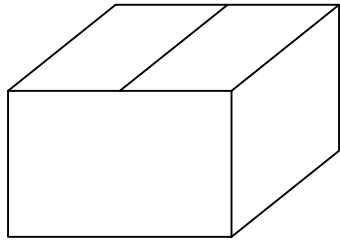
Press and tap with both hands from the front to fully inflate.



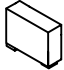


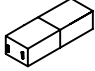


Carefully smooth out each section until the surface is even.

After packing up, place them in somewhere dry and ventilated. After about 72-96 hours. It can be restored to the best use condition.

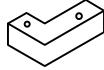
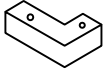




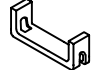
BOX1



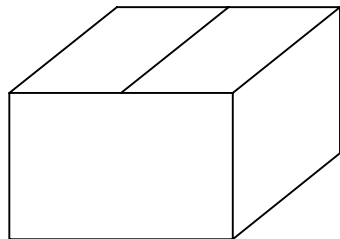
SOFA PART

- (A)  Armrest L x1
- (B)  Armrest R x1
- (C)  Back Frame x1
- (D)  Seat Frame x1
- (F)  Backrest x1
- (G)  Backrest x1

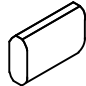
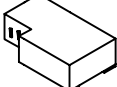
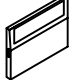
HARDWARE PART

- ①  Sofa Leg 5cm x2
- ②  Sofa Leg 5cm x2
- ③  Middle Leg 5cm x1
- ④  Bolt M8*55 x8
- ⑤  Washer x8
- ⑥  Allen Key M5 x1
- ⑧  Connector A x1

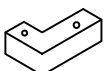
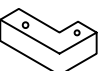





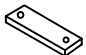

BOX2

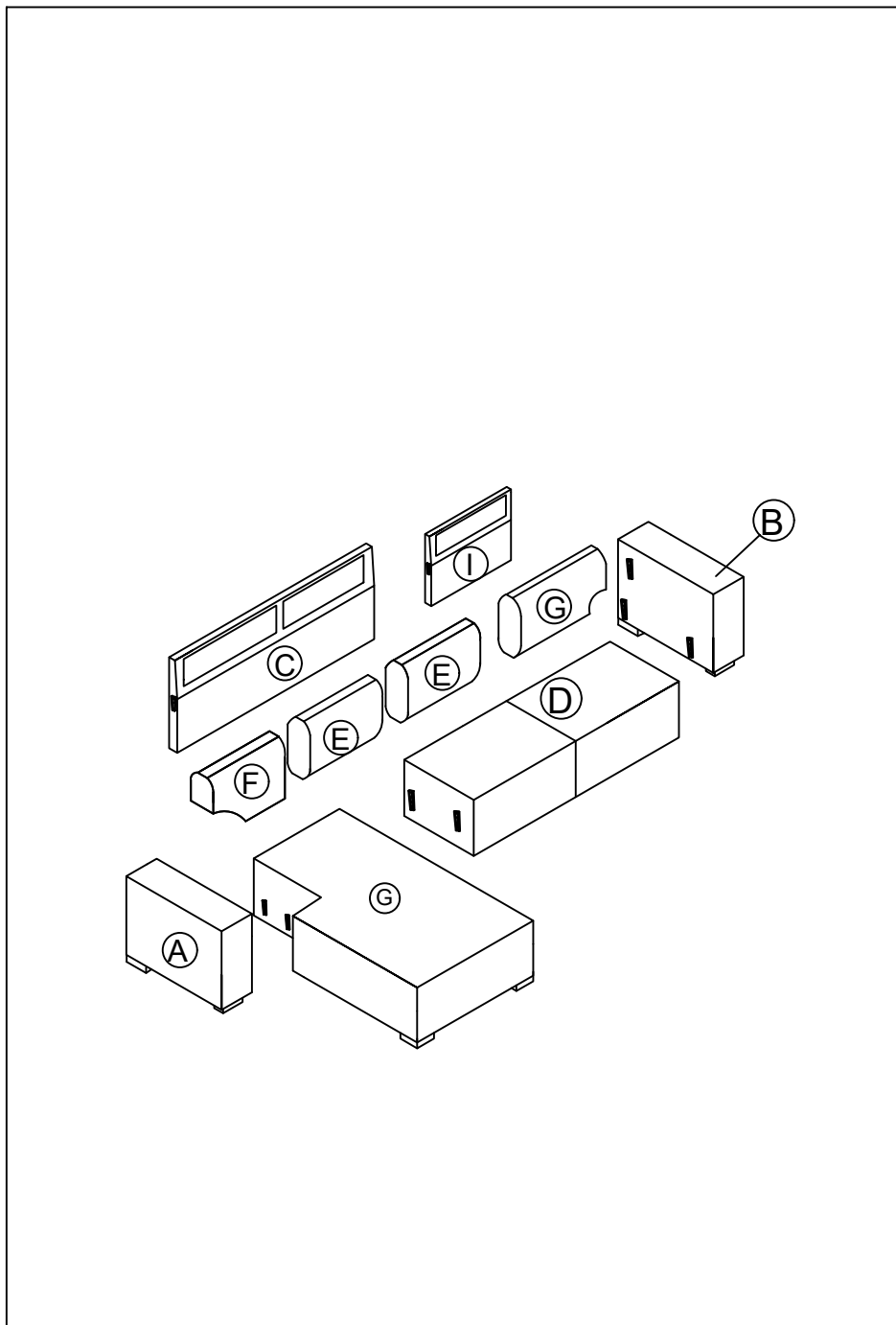


SOFA PART

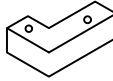
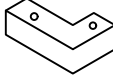





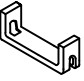
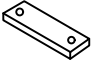

- (E)  Backrest x2
- (H)  Seat Frame2 x1
- (I)  Back Frame x1

HARDWARE PART

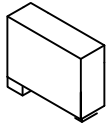
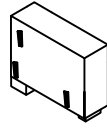
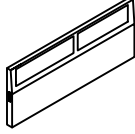
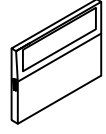
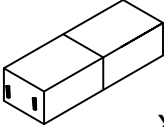
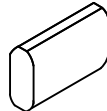
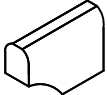
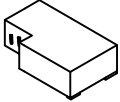
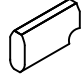
- ①  Sofa Leg 5cm x1
- ②  Sofa Leg 5cm x1
- ③  Middle Leg 5cm x5
- ④  Bolt M8*55 x4
- ⑤  Washer x8
- ⑥  Allen Key M5 x1
- ⑦  Bolt M6*25 x4
- ⑨  Connector B x2
- ⑩  Allen Key M4 x1



Hardware parts

1 Sofa Leg 5cm  x3	2 Sofa Leg 5cm  x3	3 Middle Leg 5cm  x6	4 Bolt M8*55  x12
5 Washer Ø19*Ø8  x16	6 Allen Key M5  x1	7 Bolt M6*25  x4	8 Connector A  x1
9 Connector B  x2	10 Allen Key M4  x1		

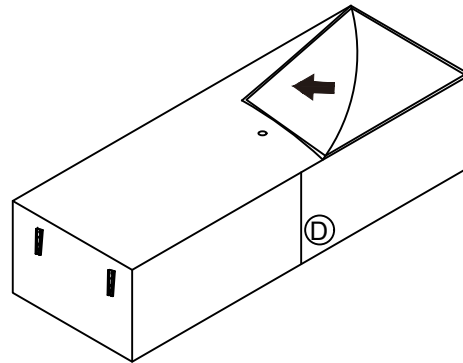
Main structure accessories

A Armrest L  x1	B Armrest R  x1	C Back Frame  x1	I Back Frame  x1
D Seat Frame  x1	E Backrest  x2	F Backrest  x1	H Seat Frame  x1
G Backrest  x1			

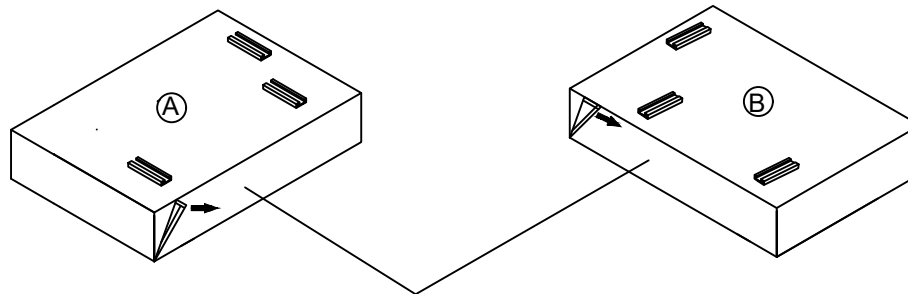
STEP 1

attention: the components are placed inside the base. please take them out before installing.

Take out of A、 B、 C、 E、 F、 1、 2、 3、 4、 5、 6、 7、 8、 9、 10 from the bottom of D.



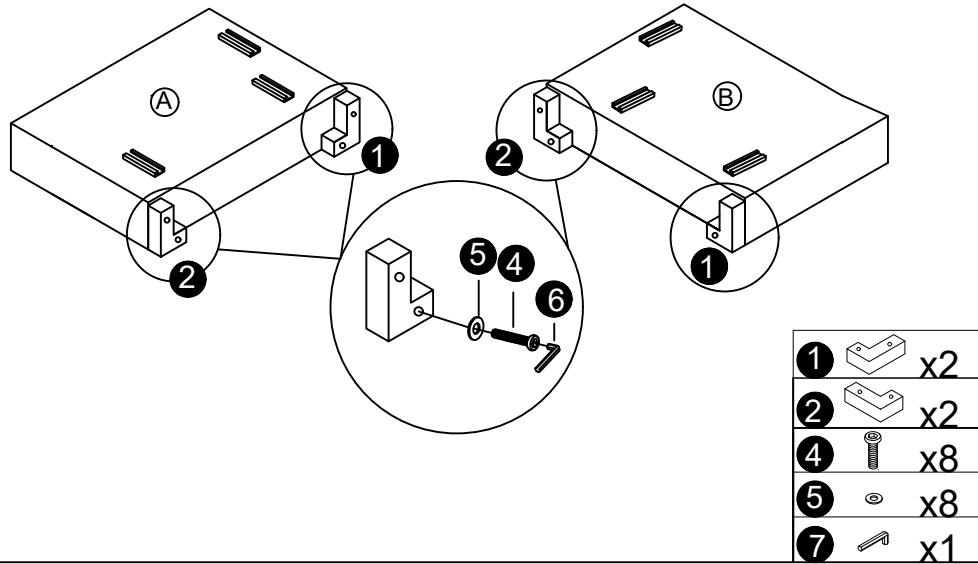
STEP 2



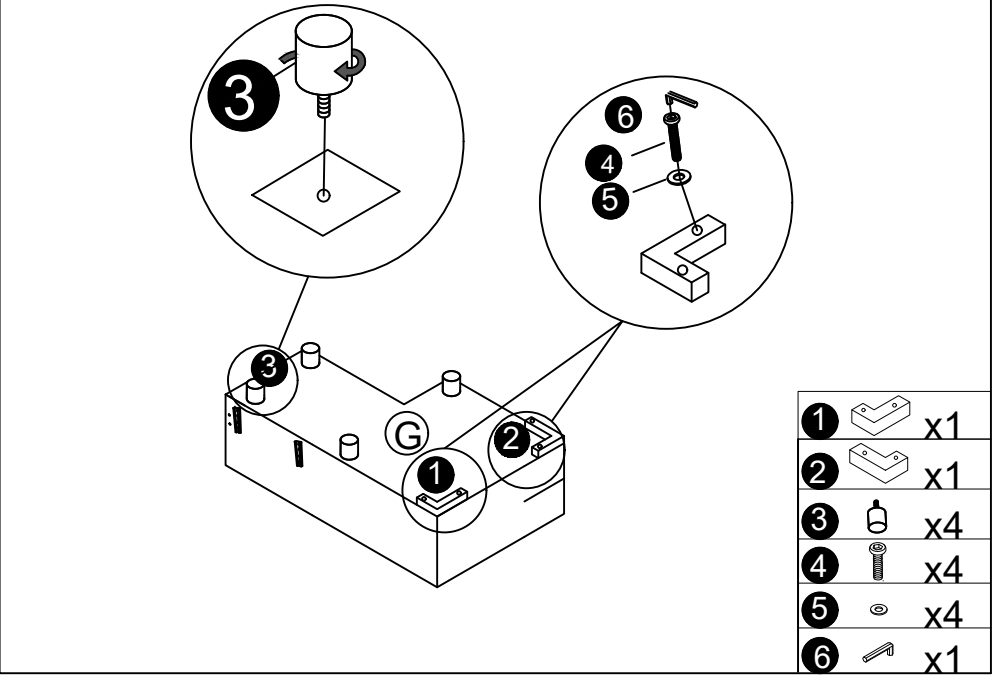
Take out of E from the bottom of A and B.

attention: the components are placed inside the armrests. please take them out before installing.

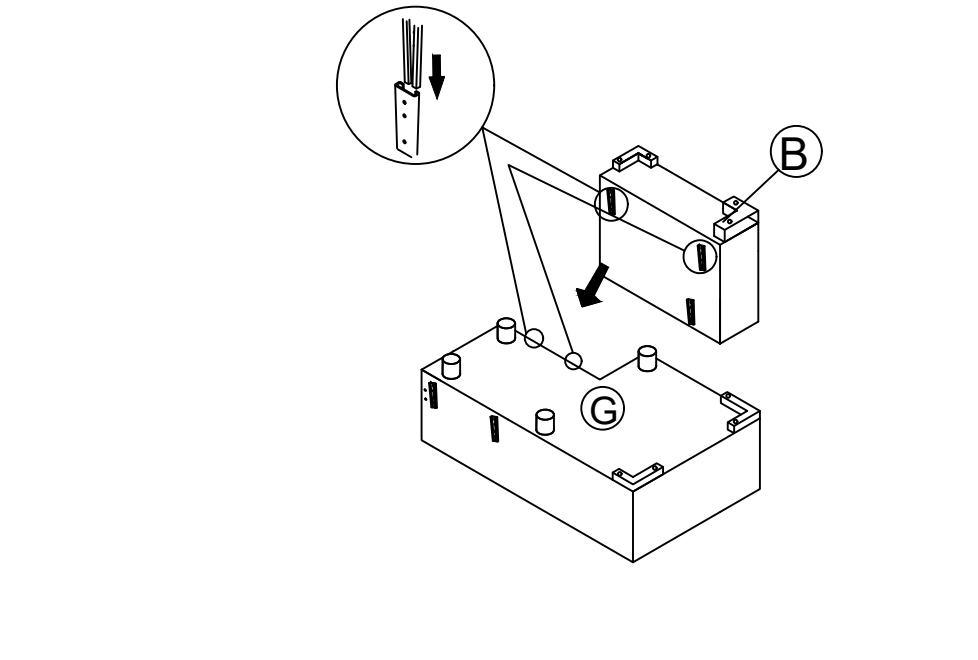
STEP 3



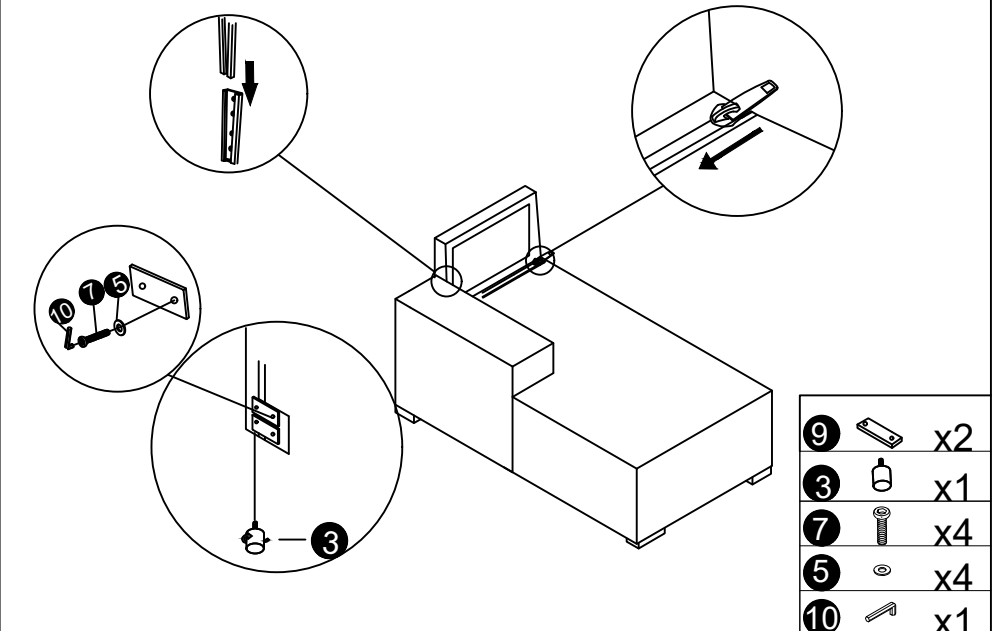
STEP 4



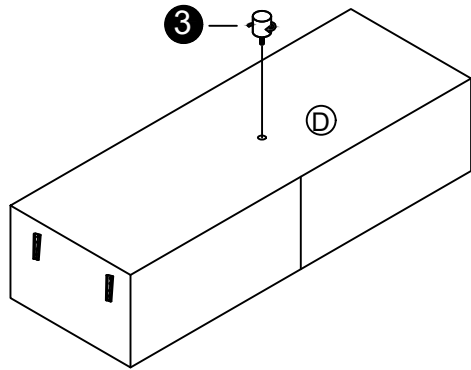
STEP 5



STEP 6



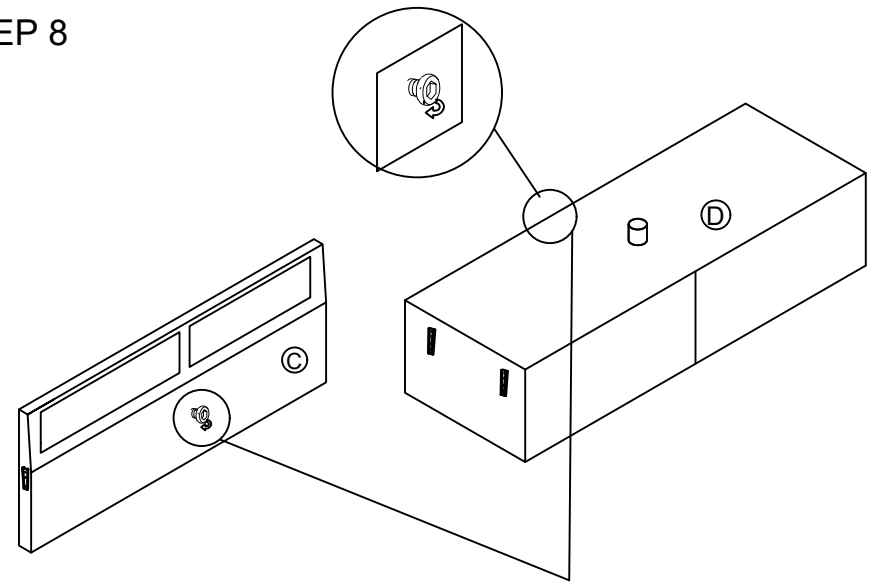
STEP 7



Please install the Middle leg with the bottom facing up

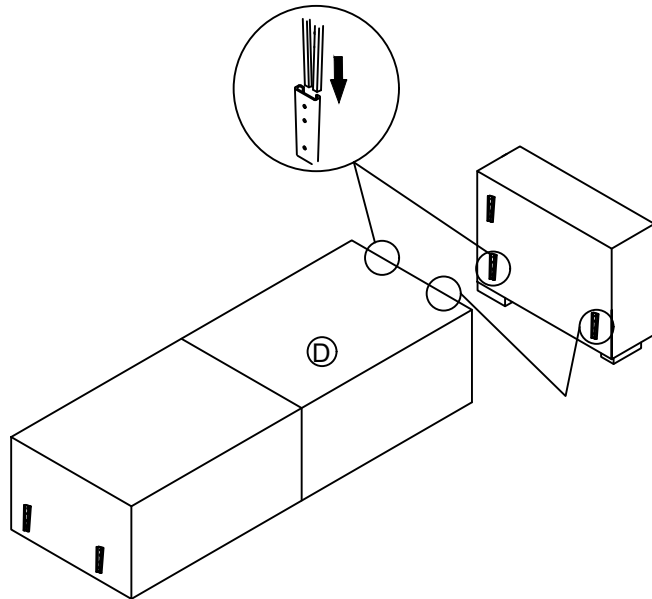
3  x1

STEP 8



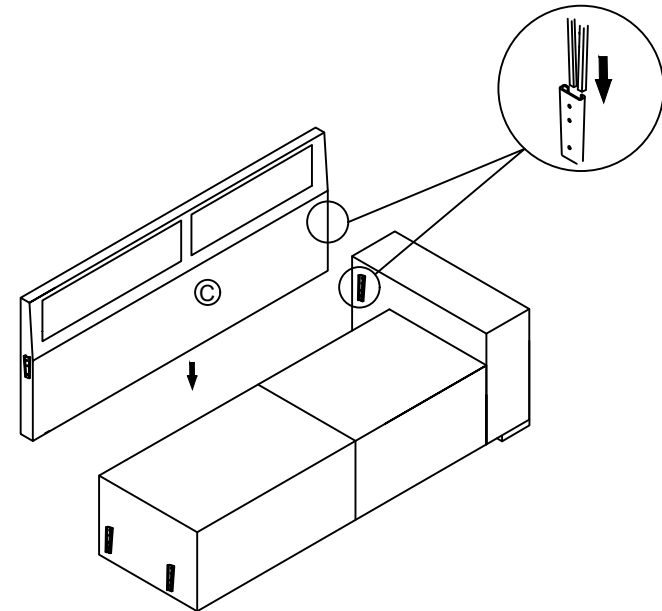
The screws need to be unscrewed to facilitate the placement of the connector A

STEP 9

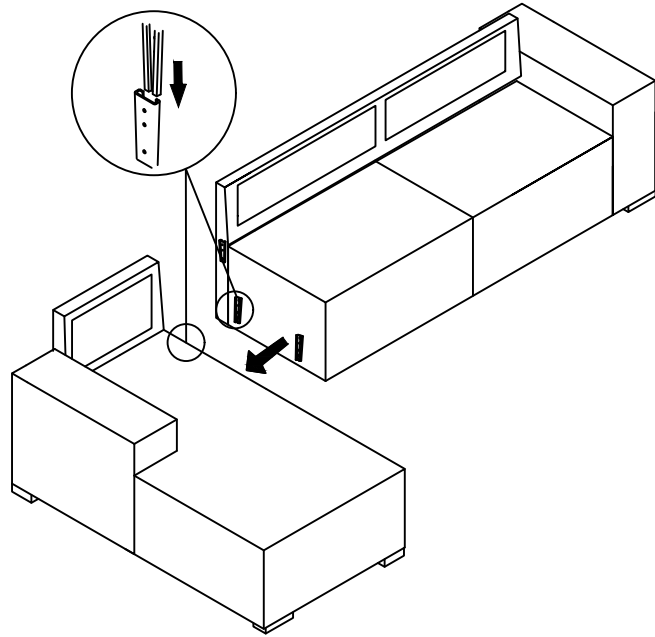


Flip the three-person position to the front

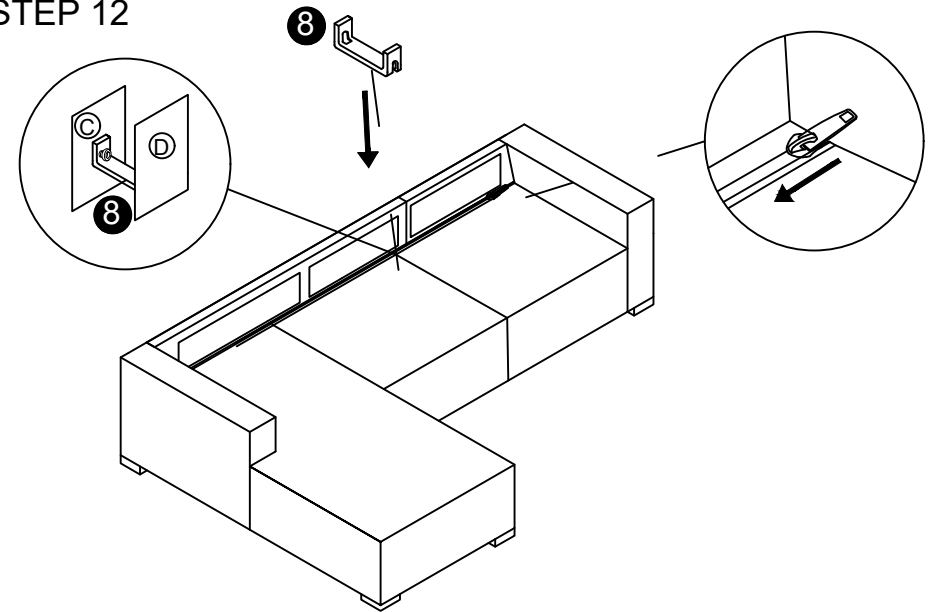
STEP 10




STEP 11



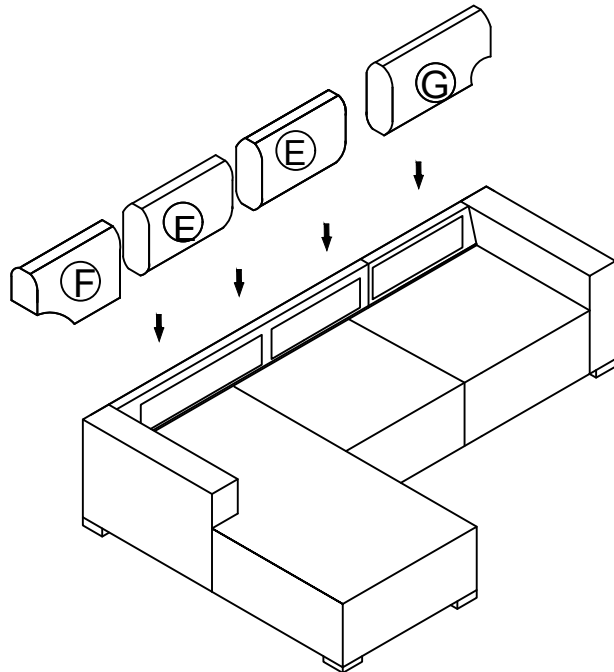
STEP 12



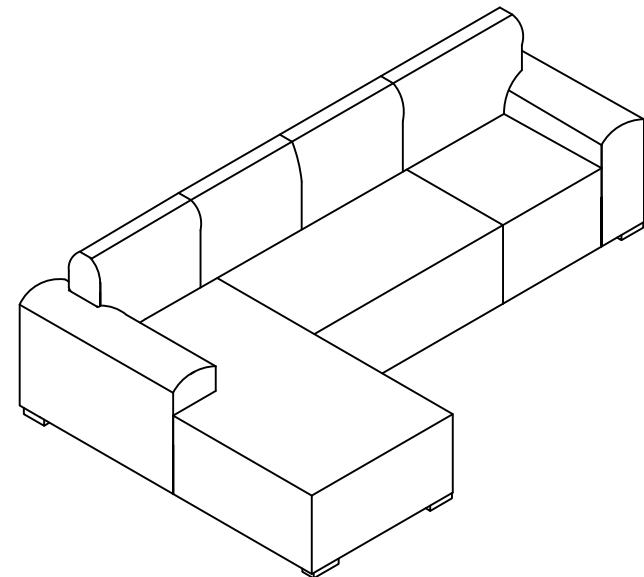
Please follow step 8 to install the connector A first, and then zipper up the zipper.

8  x1

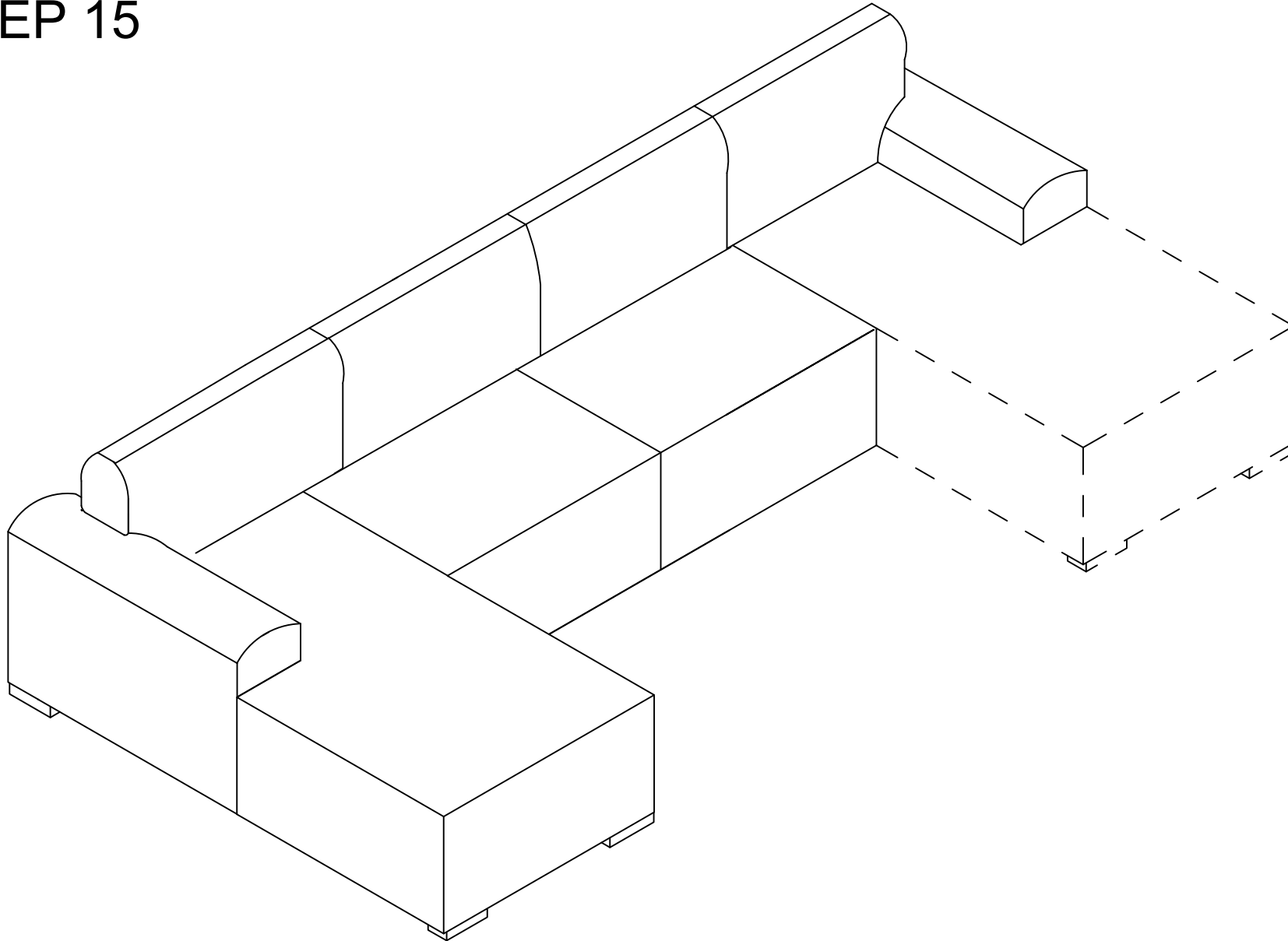
STEP 13



STEP 14



STEP 15



Purchase of the appropriate product is required before assembling