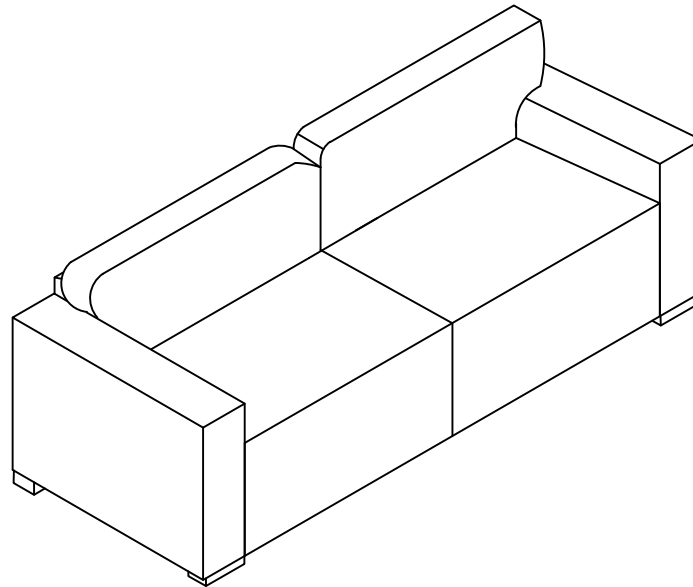


Puff Sofa- 3 Seaters

Assembly Instruction



Any question please feel free to contact us:
support@merluxyhome.com TEL: 901-347-2181
We will provide further assistance within 24 hours.

Dear Customers

Thank you for purchasing our product. Please read this instruction manual carefully after receiving this product. It will help you assemble this product quickly, safely and correctly. You can keep this manual for future reference.



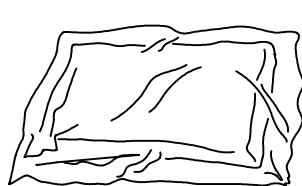
Safety and Care Advice

Important - Please read these instructions fully before starting assembly

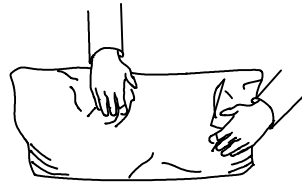
Thanks for your purchase. Before the assembly, please follow the instructions to check if all the spare parts and screws are intact.

- Considering the size and weight of the sofa, we recommend two adults to assemble the sofa, on a carpeted or padded area in the room that it is intended for. Approximate assembly time: 30 minutes.
- Keep all components and packaging out of reach of children or animals to avoid the risk of choking or suffocation.
- Please do not throw away any of the packaging or instruction until all the components and hardware have been checked and the furniture is fully assembled.
- Please do not take off the cover, and do not wash.

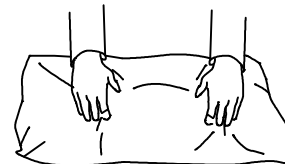
Your cushions come vacuum packed and sealed for shipping. To restore the cushion's original shape, follow the steps below.



Open the vacuum bag carefully.



Press and tap with both hands from the side to fully inhale air.

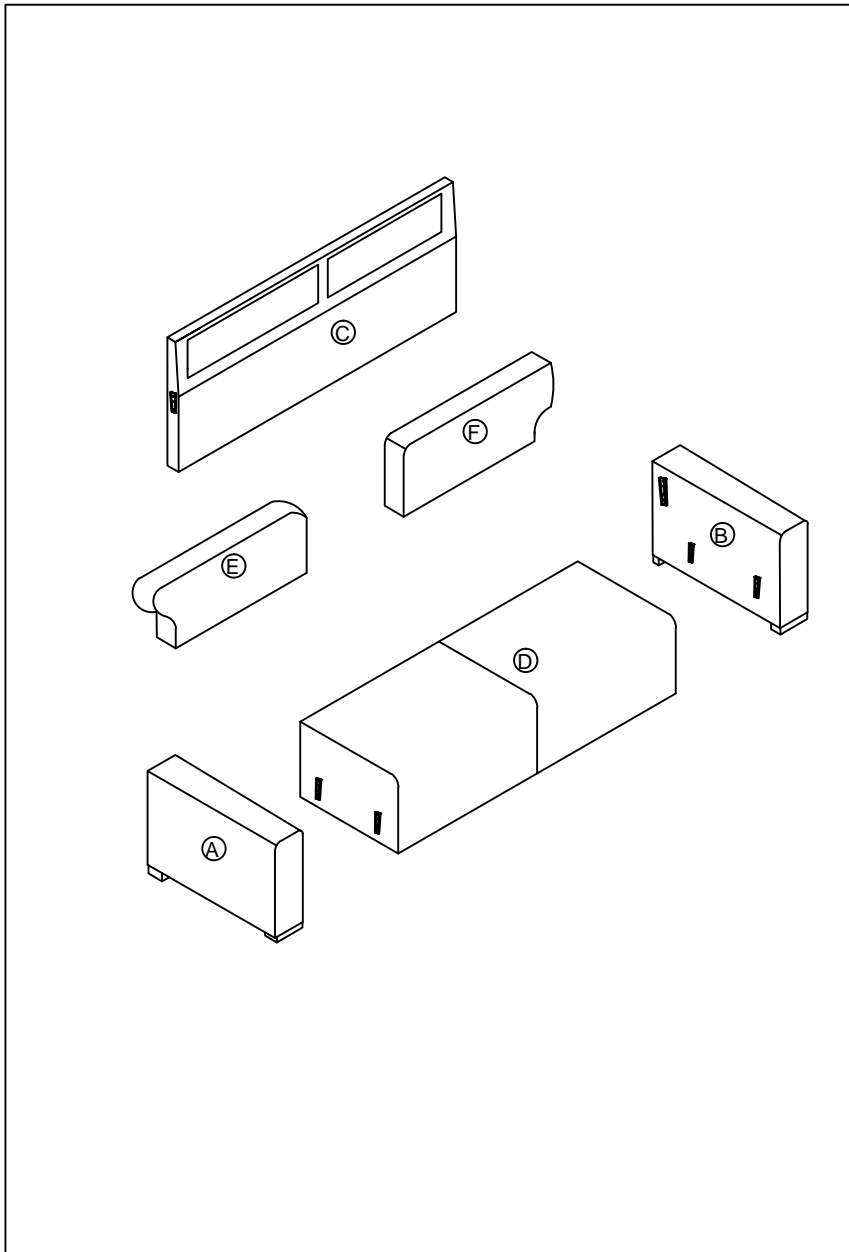


Press and tap with both hands from the front to fully inflate.

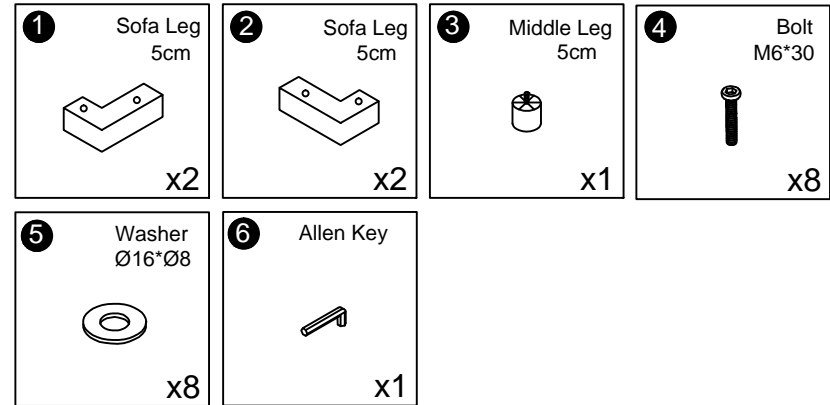


Carefully smooth out each section until the surface is even.

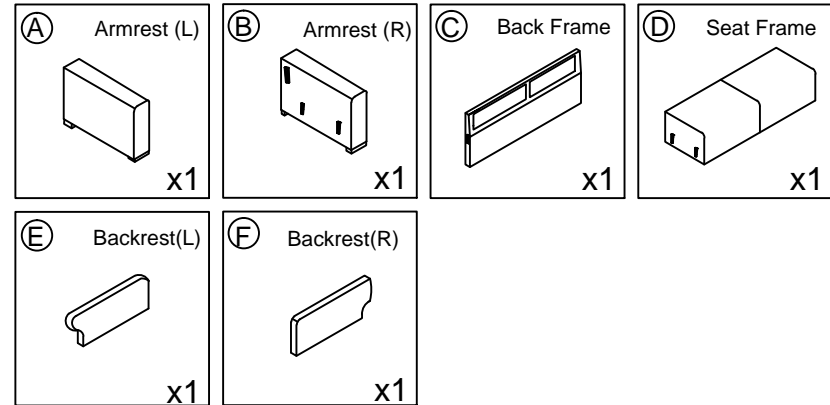
After packing up, place them somewhere dry and ventilated. After about 72-96 hours. It can be restored to its best-use condition.



Hardware parts

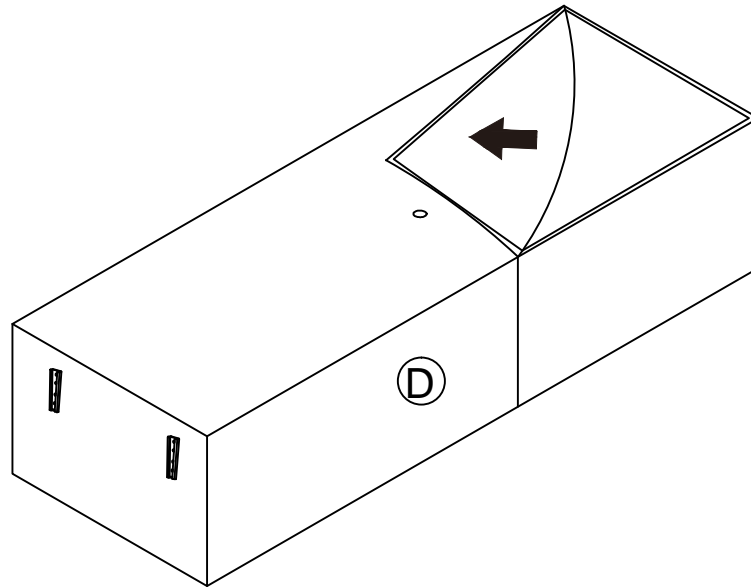


Main structure accessories

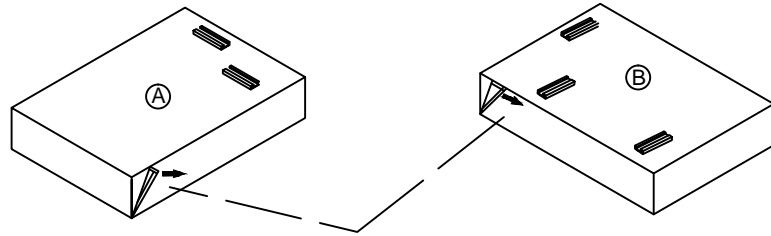


STEP 1

Take out of A、 B、 E、 F、 1、 2、 3、 4、 5、 6 from the bottom of D.

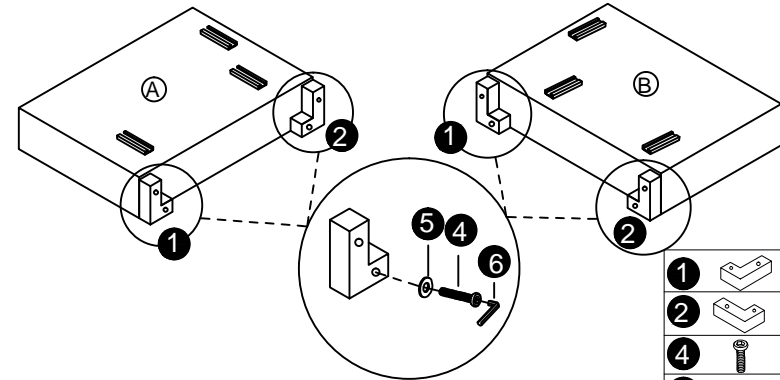




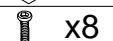
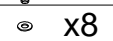
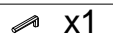
STEP 2



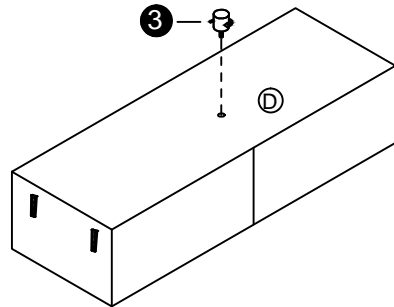
Take out of E、F、1、2、3、4、5、6 from the bottom of A and B.

STEP 3



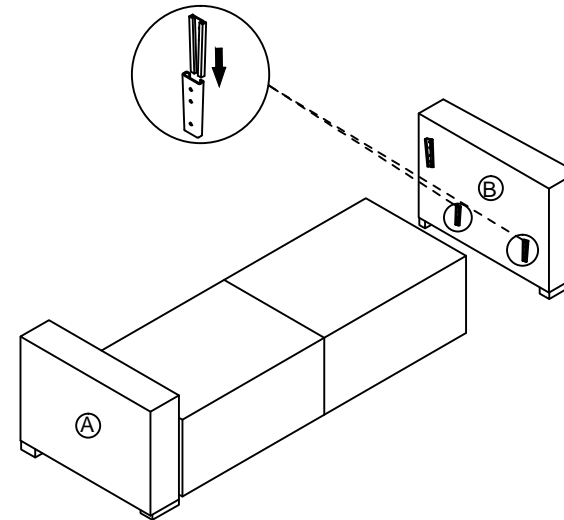
- ①  x2
- ②  x2
- ④  x8
- ⑤  x8
- ⑥  x1

STEP 3

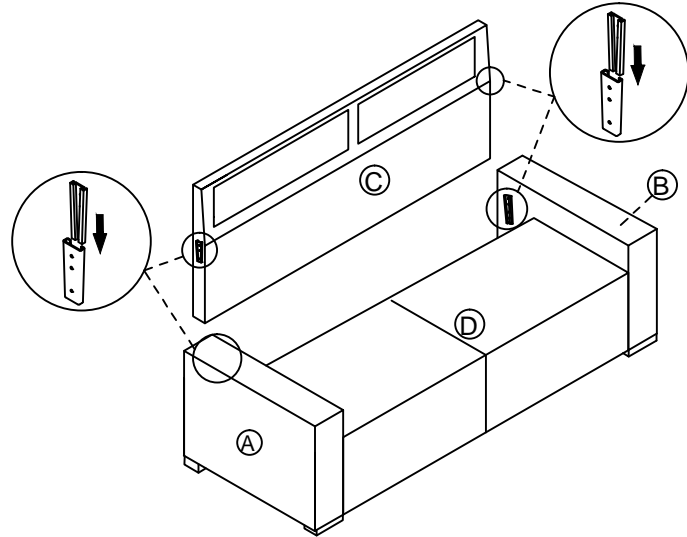


- ③  x1

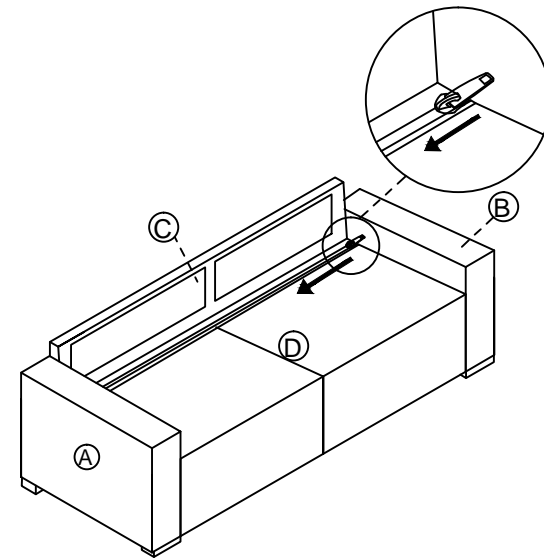
STEP 4



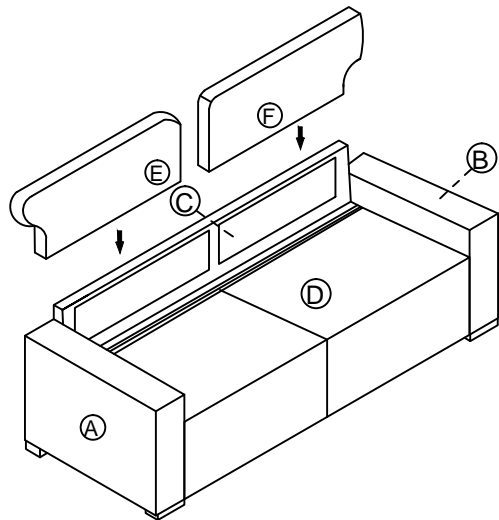
STEP 5



STEP 6



STEP 7



STEP 8

