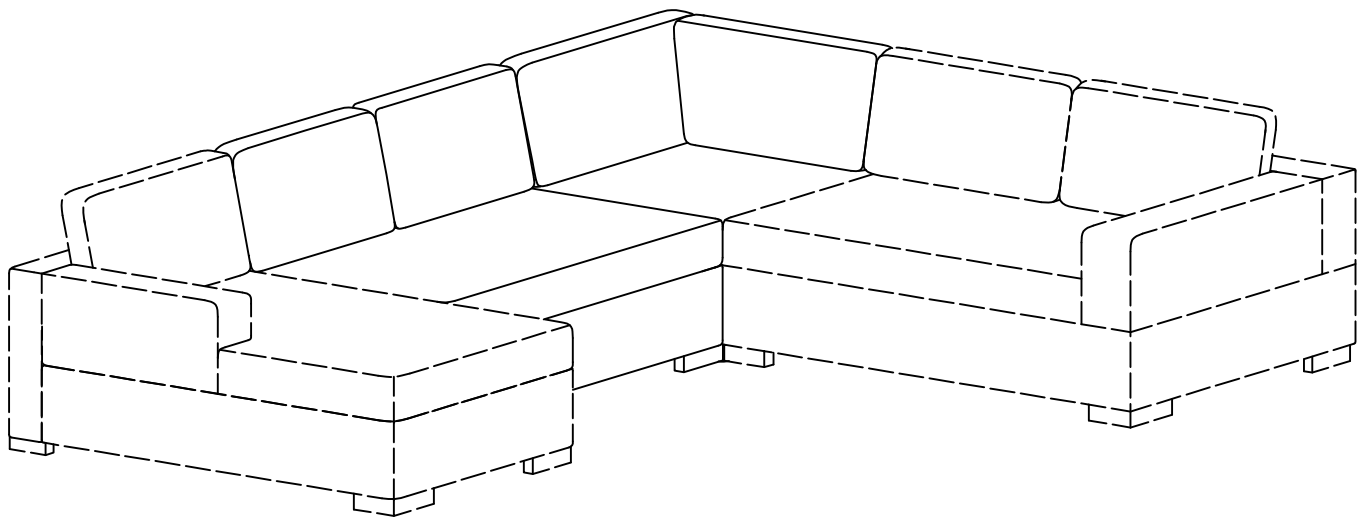


# SOFA

## Assembly Instruction

SKU:1063050106B/1063050107B



Any question please feel free to contact us:  
[support@merluxyhome.com](mailto:support@merluxyhome.com) TEL:901-347-2181  
We will provide further assistance within 24 hours.

### **Dear customers,**

Thank you for purchasing our product. Please read this instruction manual carefully after receiving this product. It will help you assemble this product quickly, safely, and correctly. You can keep this manual for future reference.



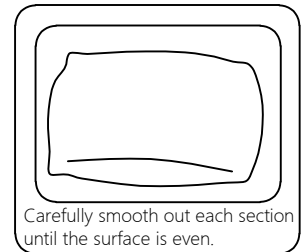
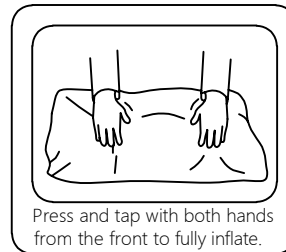
# Safety and care advice

**Important—Please read these instructions fully before starting assembly**

Thanks for your purchase. Before the assembly please follow the instructions to check if all the spare parts and screws are intact.

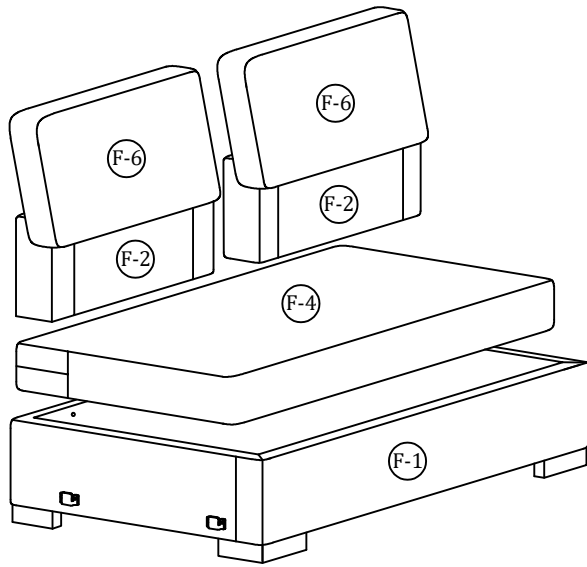
- Considering the size and weight of the sofa, we recommend two adults to assemble the sofa, on a carpeted or padded area, in the room that it is intended for. Approximate assembly time: 30 minutes.
- Please do not throw away any of the packaging or the instruction until you have checked all the components and hardware and the furniture is fully assembled. Please ensure that the packaging is disposed in a safe and environmentally friendly way.
- Keep all components and packaging out of reach of children or animals to avoid the risk of choking or suffocation.
- Please do not take off the cover, and do not wash.

Your cushions come vacuum packed and sealed for shipping. To restore the cushion's original shape, follow the steps below.

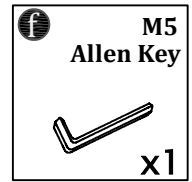
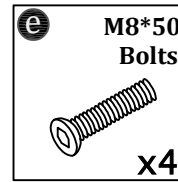
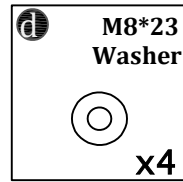
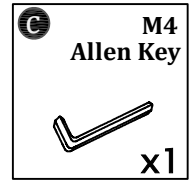
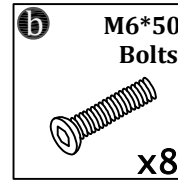
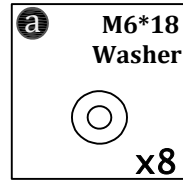


After packing up, place them in somewhere dry and ventilated. After about 72-96 hours. It can be restored to the best use condition.

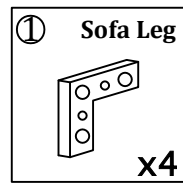
# Assembly Instruction of Sofa



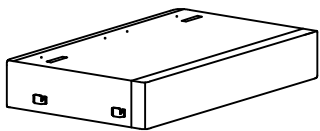
## Hardware parts



## Structural accessories

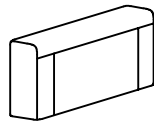


## Main structure accessories



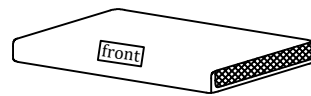
**F-1** 1pc

Two-Seat Frame



**F-2** 2pcs

Back Frame



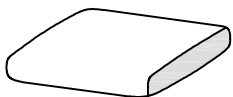
**F-3** 1pc

Seat Foam



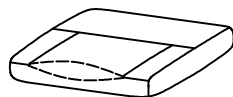
**F-4** 1pc

Seat Pad Cover



**F-5** 2pcs

Back Foam



**F-6** 2pcs

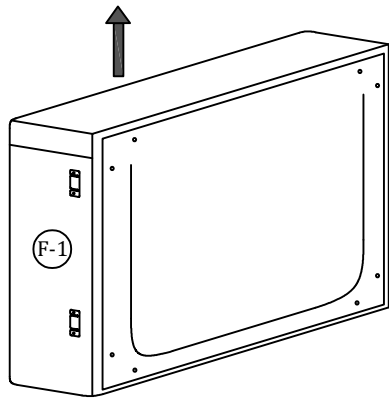
Back Cover

# Assembly Instruction of Sofa

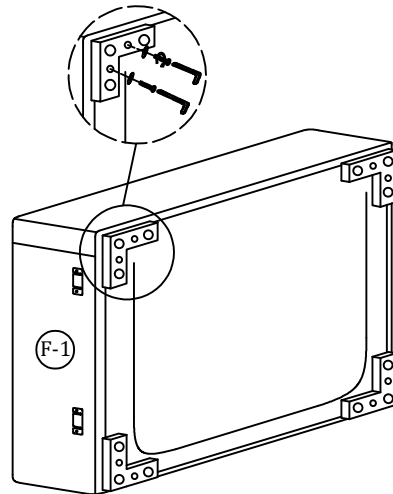
## Step 1

### Attention!

Take out of the accessories from the bottom of F-1.

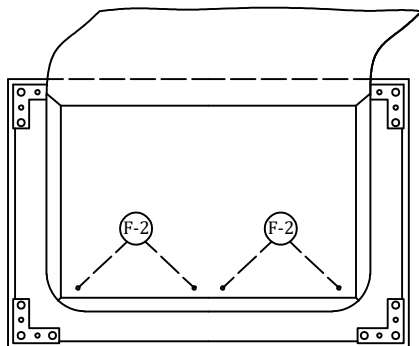


## Step 2



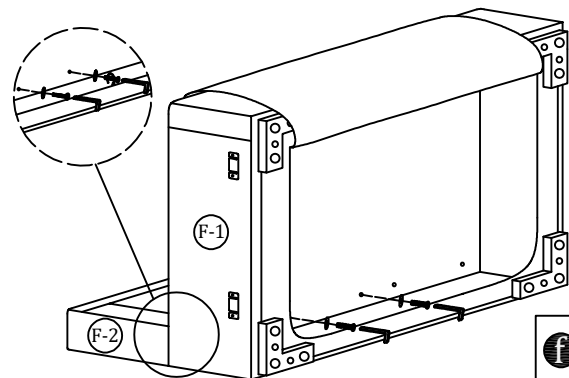
<b>c</b>	└	x1
<b>b</b>	⌚	x8
<b>a</b>	○	x8
<b>1</b>	└	x4

## Step 3



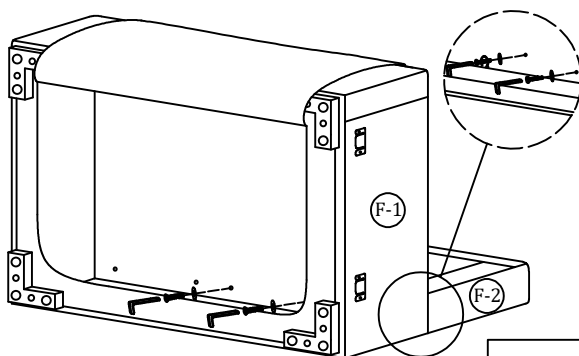
Accessory numbers correspond to the hole position.

## Step 4



<b>f</b>	└	x1
<b>e</b>	⌚	x2
<b>d</b>	○	x2

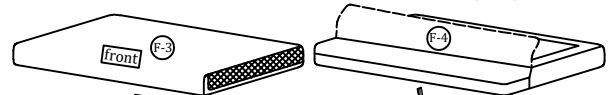
## Step 5



<b>f</b>	└	x1
<b>e</b>	⌚	x2
<b>d</b>	○	x2

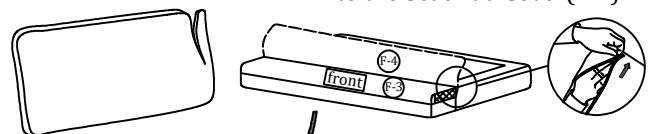
## Step 6

② Take out the Seat Foam(F-3).

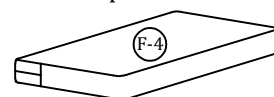


① Open the sealed bag.

③ Insert the Seat Foam(F-3) into the Seat Pad Cover(F-4).

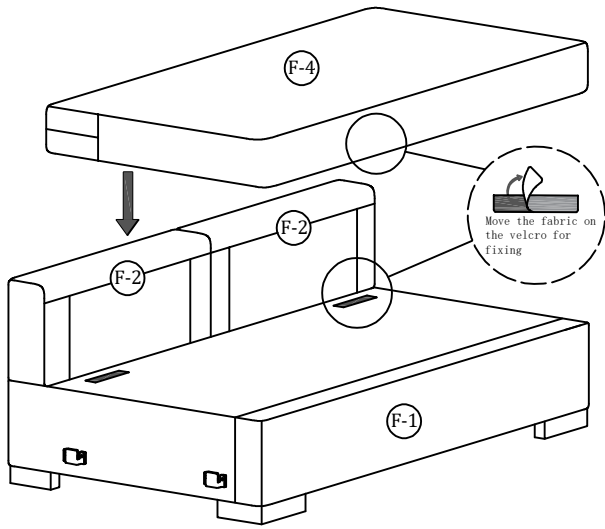


④ Please keep the white side up and front.

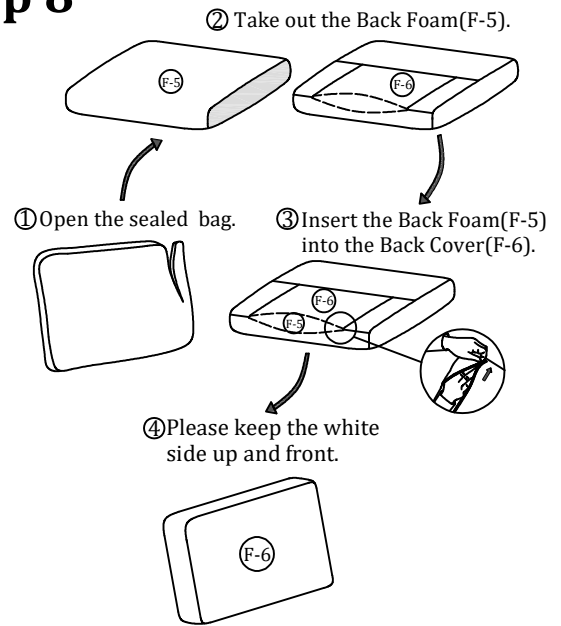


# Assembly Instruction of Sofa

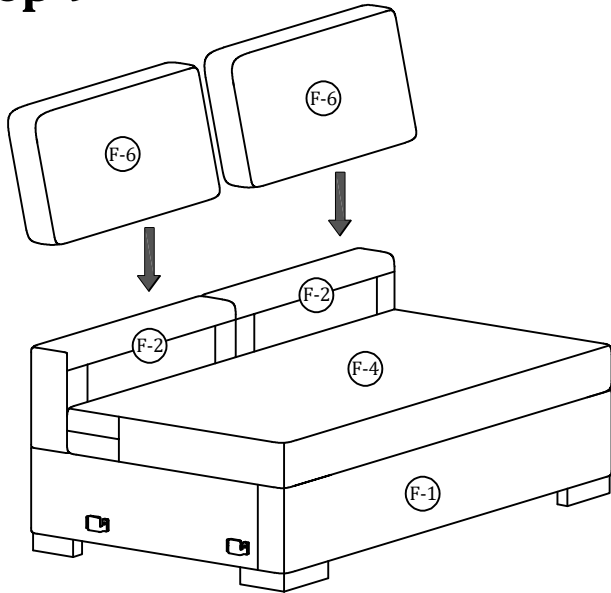
## Step 7



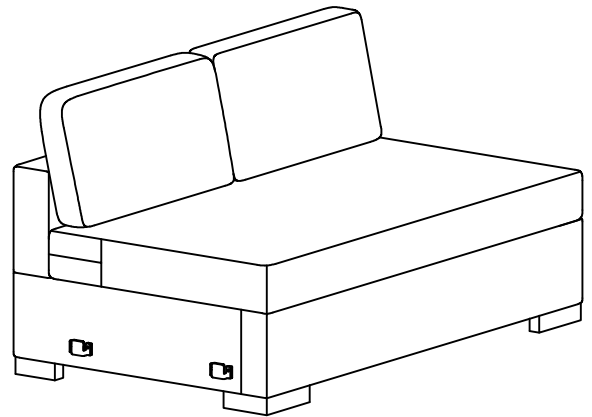
## Step 8



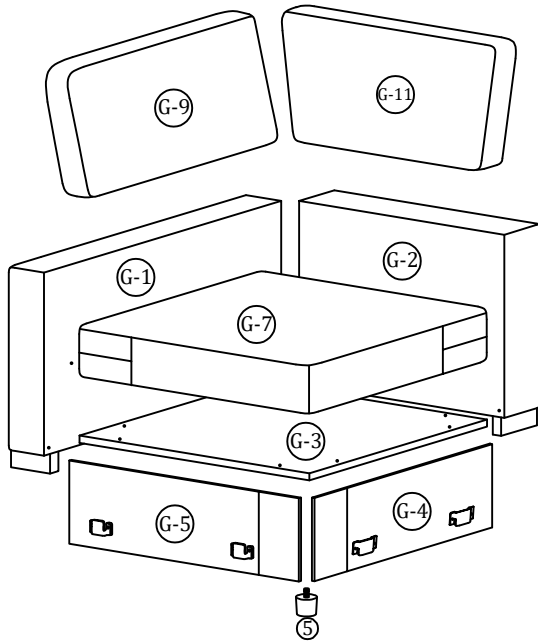
## Step 9



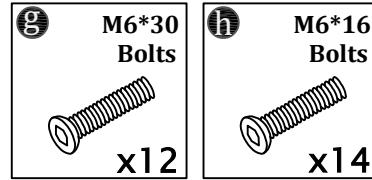
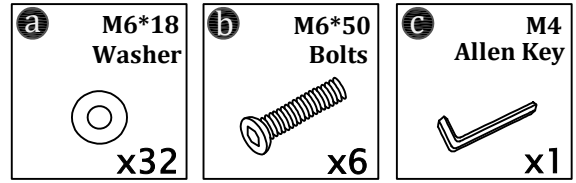
## Step 10



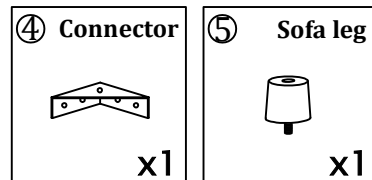
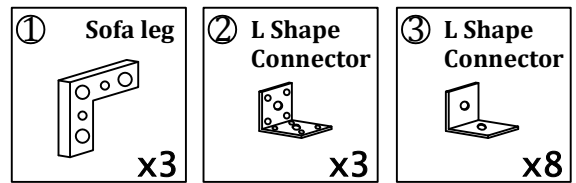
# Assembly Instruction of Sofa



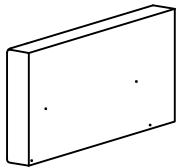
## Hardware parts



## Structural accessories

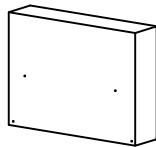


## Main structure accessories



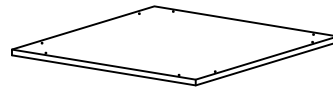
(G-1) 1pc

Back Frame Holder



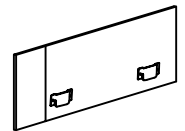
(G-2) 1pc

Back Frame Holder



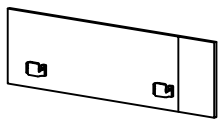
(G-3) 1pc

Corner Seat Frame



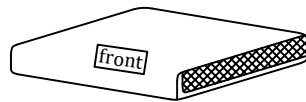
(G-4) 1pc

Corner Side Panel



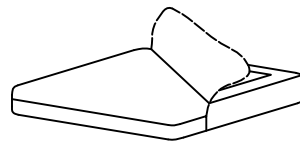
(G-5) 1pc

Corner Side Panel



(G-6) 1pc

Seat Foam



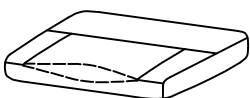
(G-7) 1pc

Seat Pad Cover



(G-8) 1pc

Back Foam(L)



(G-9) 1pc

Back Cover(L)



(G-10) 1pc

Back Foam(R)



(G-11) 1pc

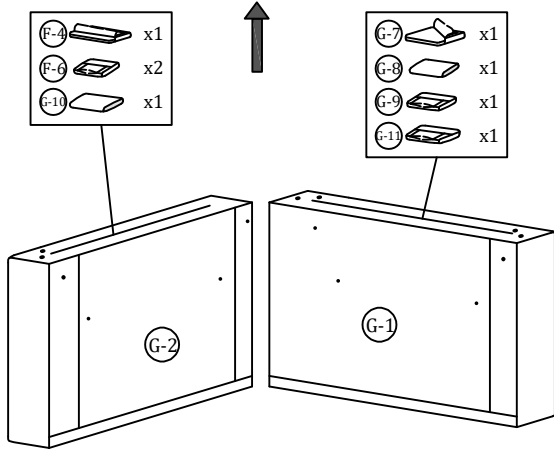
Back Cover(R)

# Assembly Instruction of Sofa

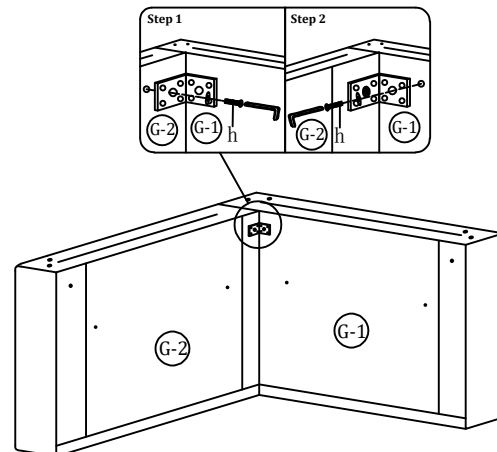
## Step 1

### Attention!

Take out of the accessories from the bottom of G-1 and G-2.

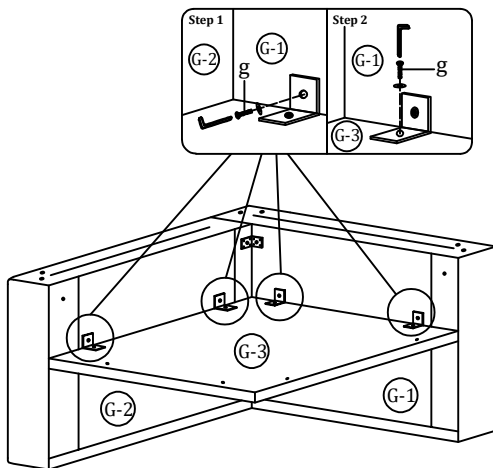


## Step 2



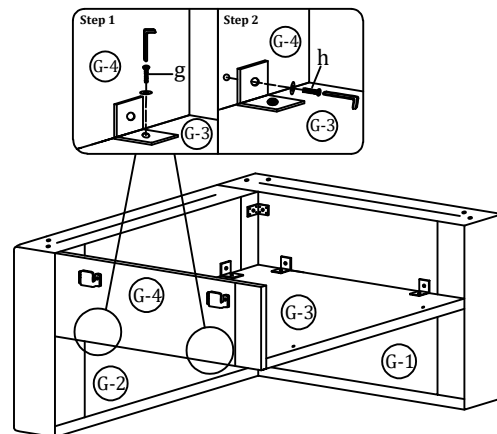
- x1
- x2
- x2
- x1

## Step 3



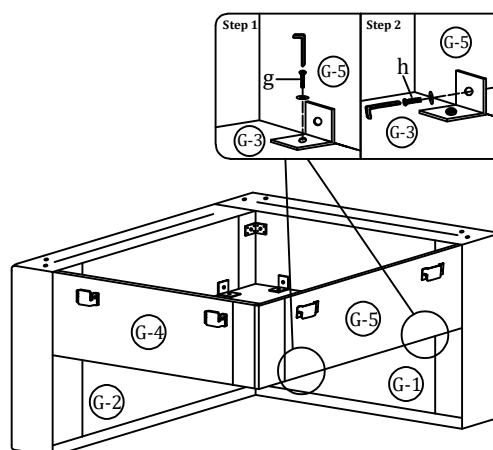
- x1
- x8
- x8
- x4

## Step 4



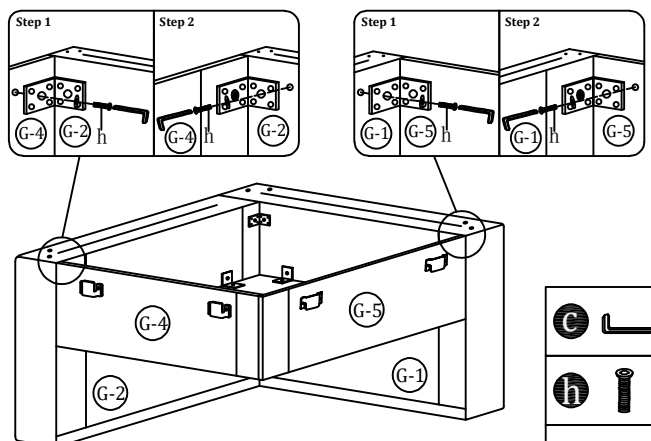
- x2
- x1
- x2
- x4
- x2

## Step 5



- x2
- x1
- x2
- x4
- x2

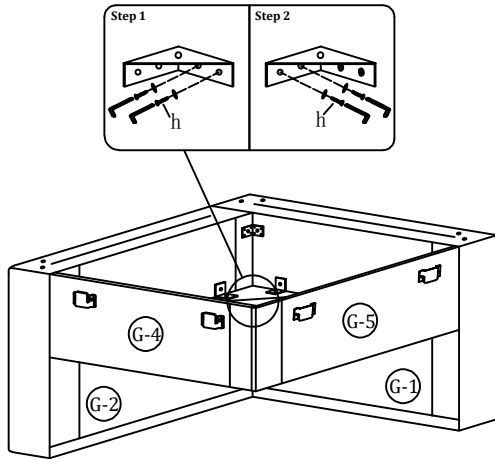
## Step 6



- x1
- x4
- x4
- x2

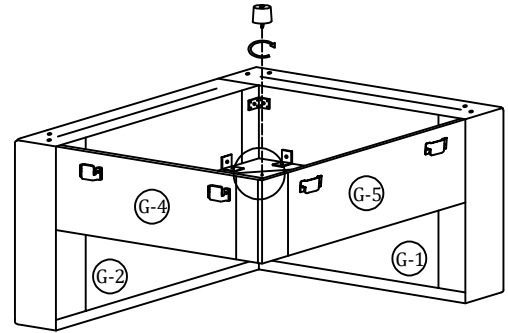
# Assembly Instruction of Sofa

## Step 7



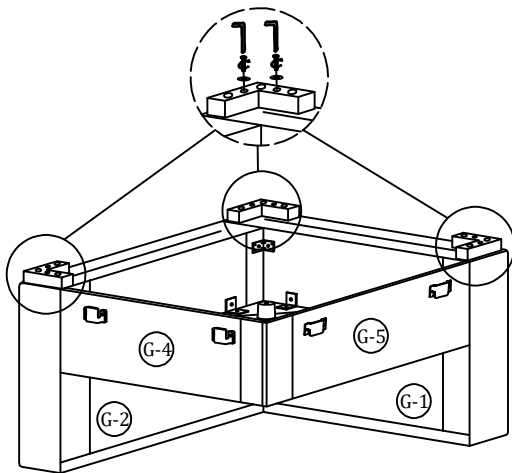
- x1
- x4
- x4
- x1

## Step 8



- x1

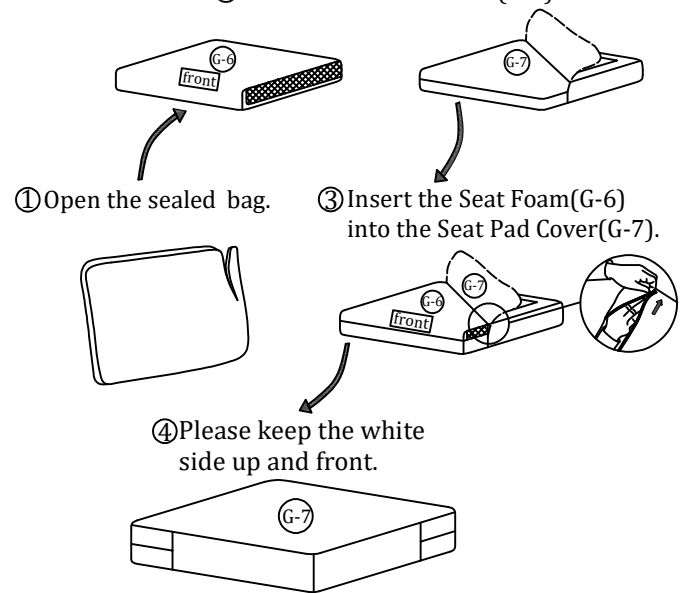
## Step 9



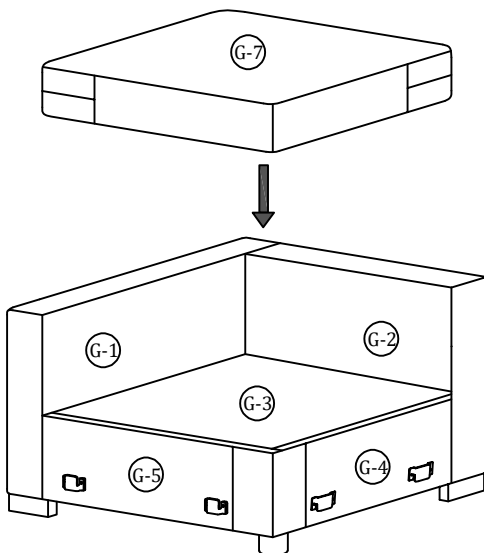
- x1
- x6
- x6
- x3

## Step 10

② Take out the Seat Foam(G-6).

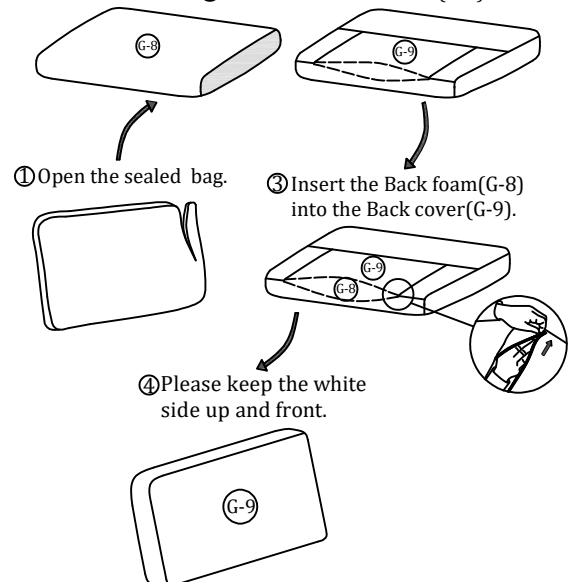


## Step 11



## Step 12

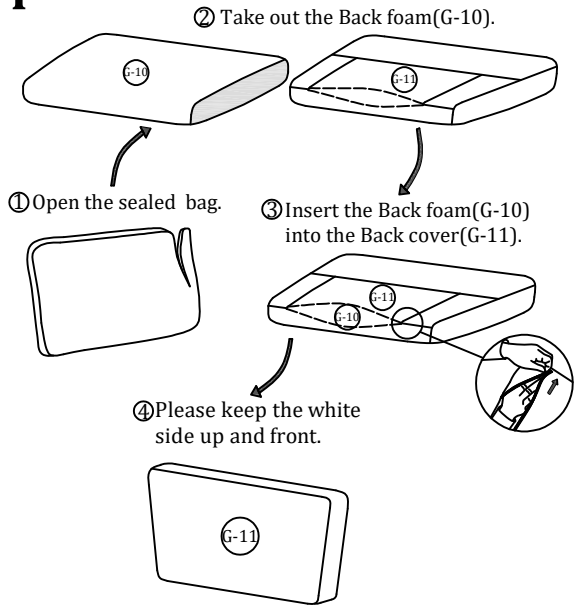
② Take out the Back foam(G-9).



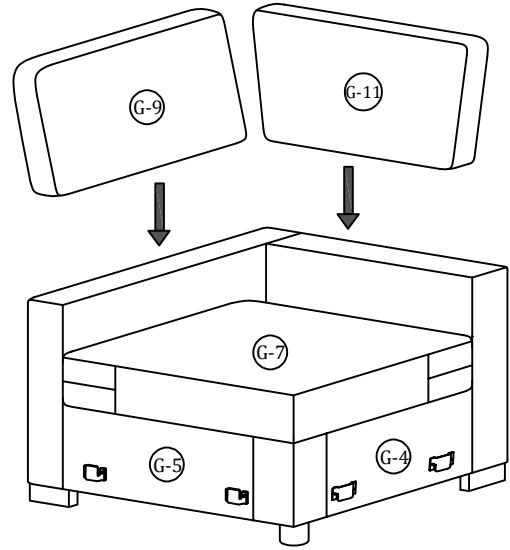


# Assembly Instruction of Sofa

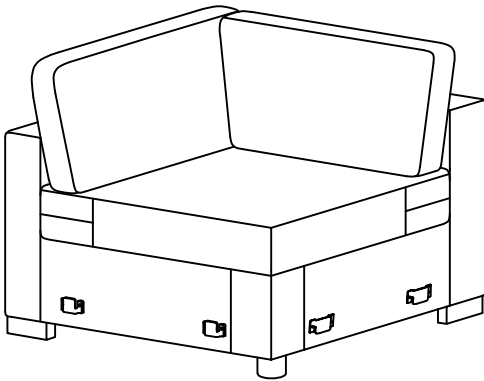
## Step 13



## Step 14

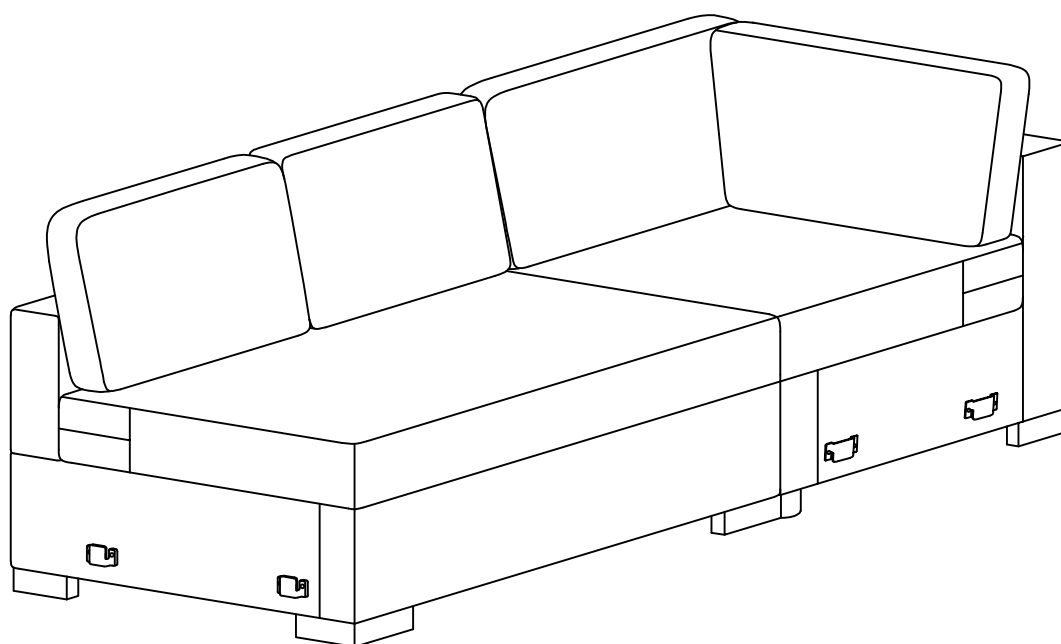
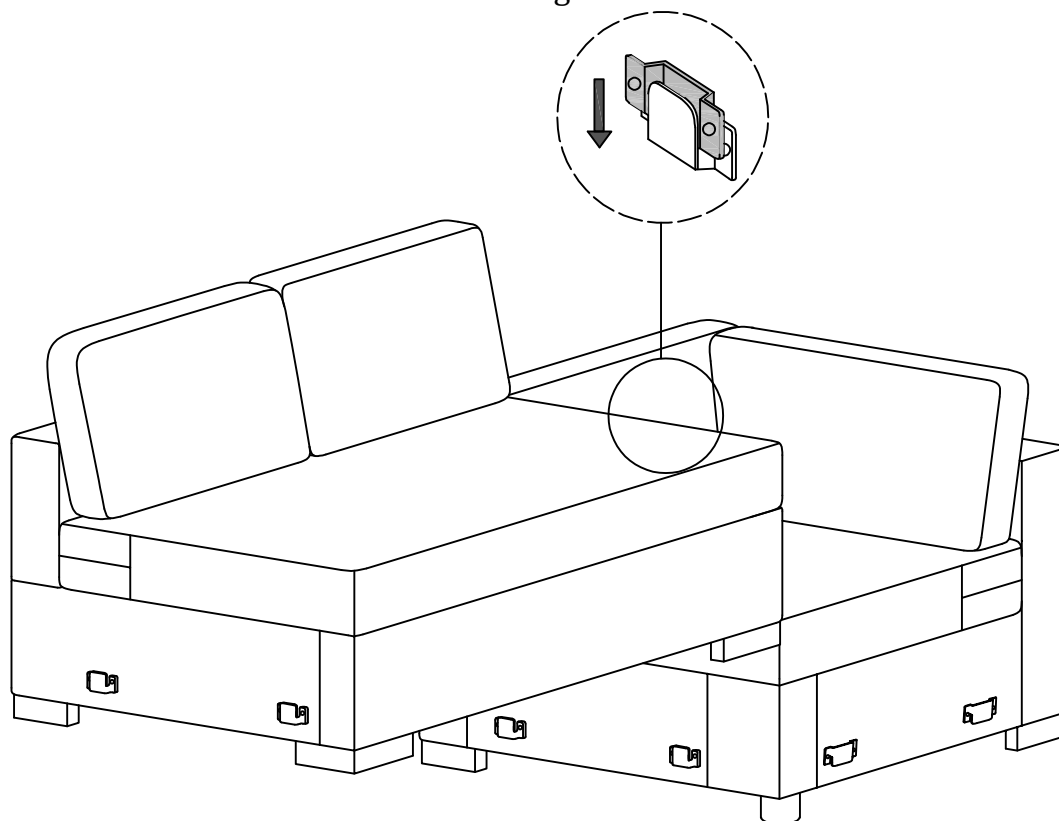


## Step 15



# Assembly Instruction of Combination

Additional products need to be purchased before connecting.



# Assembly Instruction of Combination

Additional products need to be purchased before connecting.  
Assemble from right to left.

**Step 2**

**Step 1**

