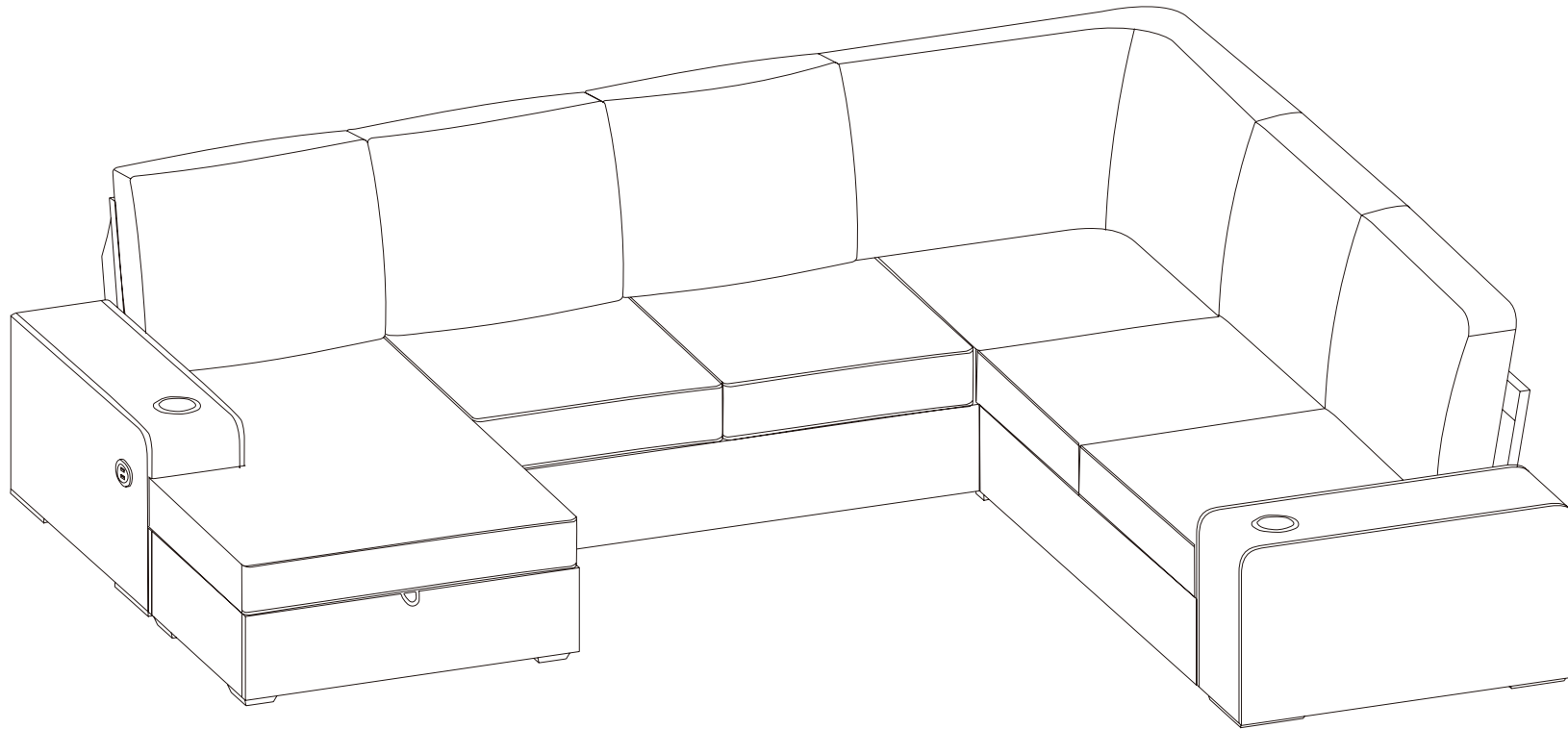


# CONTEMPORARY SOFA

## Assembly Instruction



### NOTE:

Delivered with MULTIPLE PACKAGES with MULTIPLE TRACKINGS, may NOT be delivered at the same time.

Any question please feel free to contact us:  
support@merluxyhome.com TEL:901-347-2181  
We will provide further assistance within 24 hours.



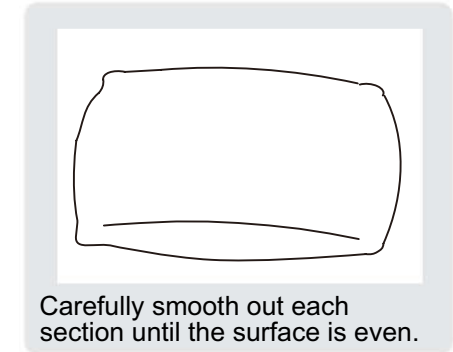
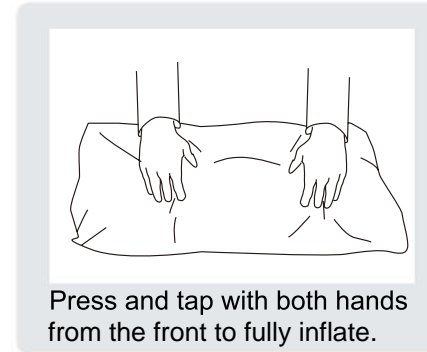
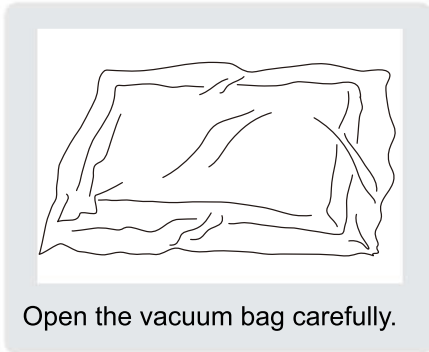
# Safety and Care Advice

**Important – Please read these instructions fully before starting assembly**

Thanks for your purchase. Before assembling, please follow the instructions to check if all the spare parts and screws are intact.

- Considering the size and weight of the sofa, we recommend two adults to assemble the sofa, on a carpeted or padded area, in the room that it is intended for. Approximate assembly time: 30 minutes.
- Keep all components and packaging out of reach of children or animals to avoid the risk of choking or suffocation.
- Please do not throw away any of the packaging or the instruction until you have checked all the components and hardware and the furniture is fully assembled. Please ensure that the packaging is disposed in a safe and environmentally friendly way.
- Please do not take off the cover, and do not wash.

Your cushions come vacuum packed and sealed for shipping. To restore the cushion's original shape, follow the steps below.



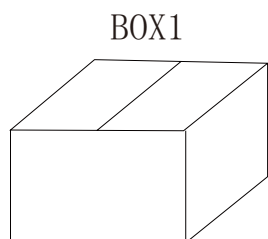
After packing up, place them in somewhere dry and ventilated. After about 72-96 hours. It can be restored to the best use condition.

## Seller's Notice:

Our product is packed in separate boxes as shown below, and they might be shipped in different batches. Please wait until you received all the boxes then start the assembly.

Noted: Assembly instruction is only provided in Box1.

The following is the list of components contained in each box.



### Main structure accessories

<b>L</b>		Armrest(L)	x1
<b>R</b>		Armrest(R)	x1
<b>E</b>		Pillow	x2
<b>G</b>		Cushion	x2

### Structure accessories

<b>i</b>		Connector	x4
<b>j</b>		Connector	x8
<b>k</b>		Middle leg	x2
<b>m</b>		Corner leg	x3
<b>n</b>		Connector	x1
<b>o</b>		Sofa leg	x8
<b>p</b>		Sofa leg	x1
<b>t</b>		Power	x1
<b>v</b>		L Shape Connector	x2

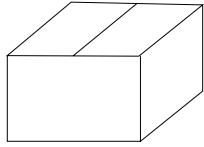
### Hardware parts

<b>a</b>		M8*60	Bolt	x4
<b>b</b>		M6*30	Bolt	x1
<b>c</b>		M6*60	Bolt	x4
<b>d</b>		M8*45	Bolt	x2
<b>e</b>		M6*20	Bolt	x18
<b>f</b>		M6*16	Bolt	x24
<b>g</b>		M6	Nut	x1
<b>h</b>		M6*18*1.2	Wahser	x5
<b>q</b>		M6	Allen Key	x1
<b>r</b>			Wrench	x1
<b>s</b>		M8*18	Bolt	x32

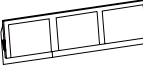
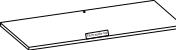



### Hardware parts

<b>q</b>		M6	Allen Key	x1
----------	--	----	-----------	----

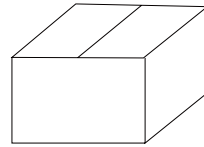
BOX2



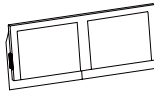



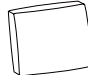



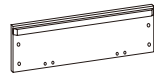
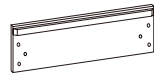

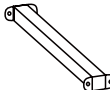
### Main structure accessories

- A1**  Three-seat Back Frame x1
- B1**  Three-seat Frame(L) x1
- C1**  Three-seat Frame(S) x1
- D1**  Three-seat Frame x1
- Q1**  Three-seat Iron Pipe x1

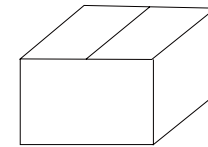
BOX3




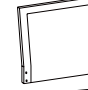


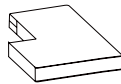

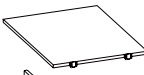
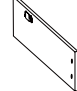
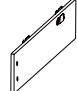
### Main structure accessories

- A2**  Two-seat Back Frame x1
- B2**  Two-seat Frame(L) x1
- C2**  Two-seat Frame(S) x1
- D2**  Two-seat Frame x1
- E**  Pillow x2
- F**  Corner Pillow x1
- M**  Ottoman Seat Frame x1
- N**  Ottoman Bottom Bezel x1
- O**  Ottoman Side Bezel x2
- P**  Ottoman Side Bezel x2
- Q2**  Two-seat Iron Pipe x1
- Q3**  Ottoman Iron Pipe x2

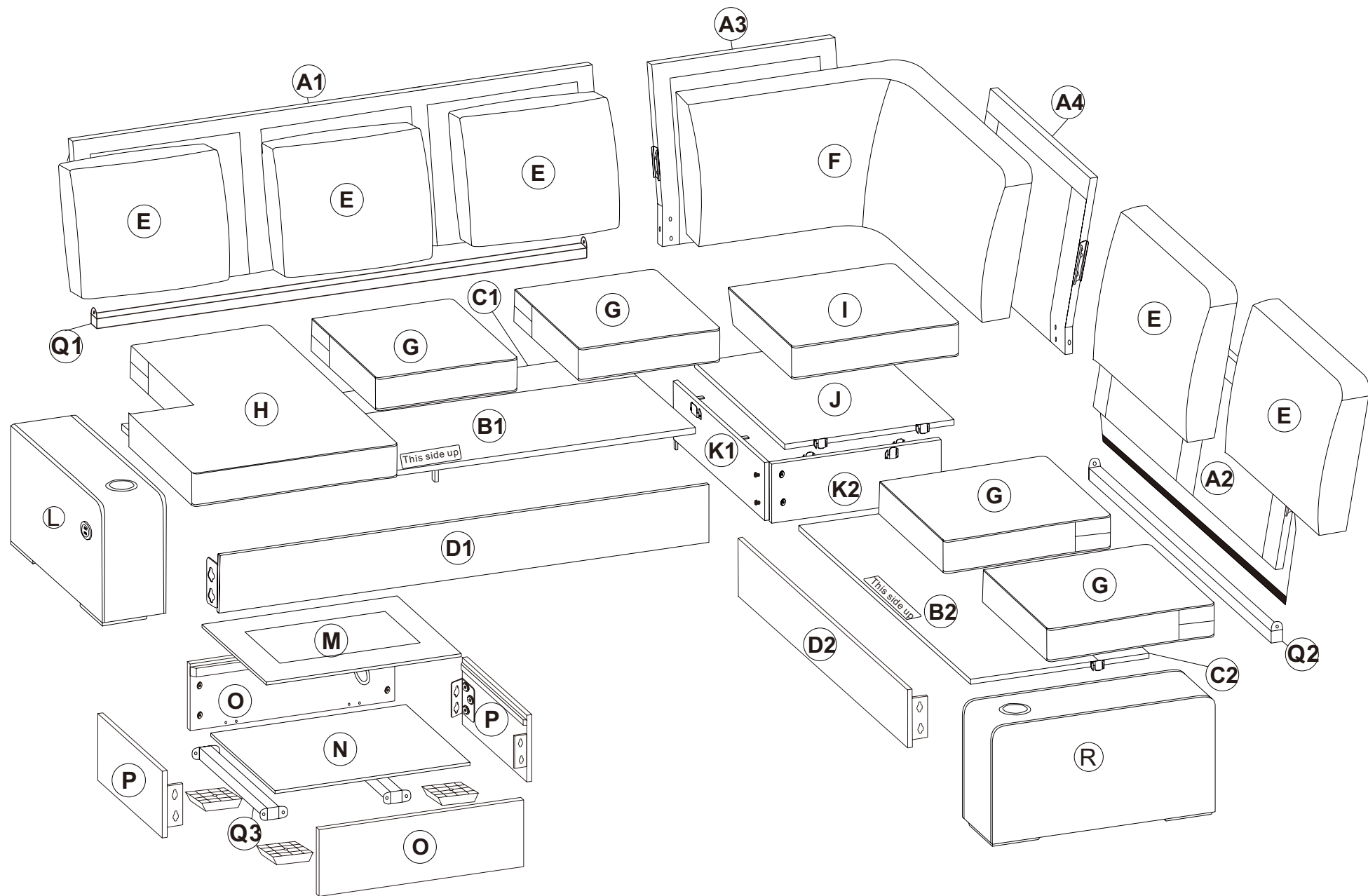
BOX4



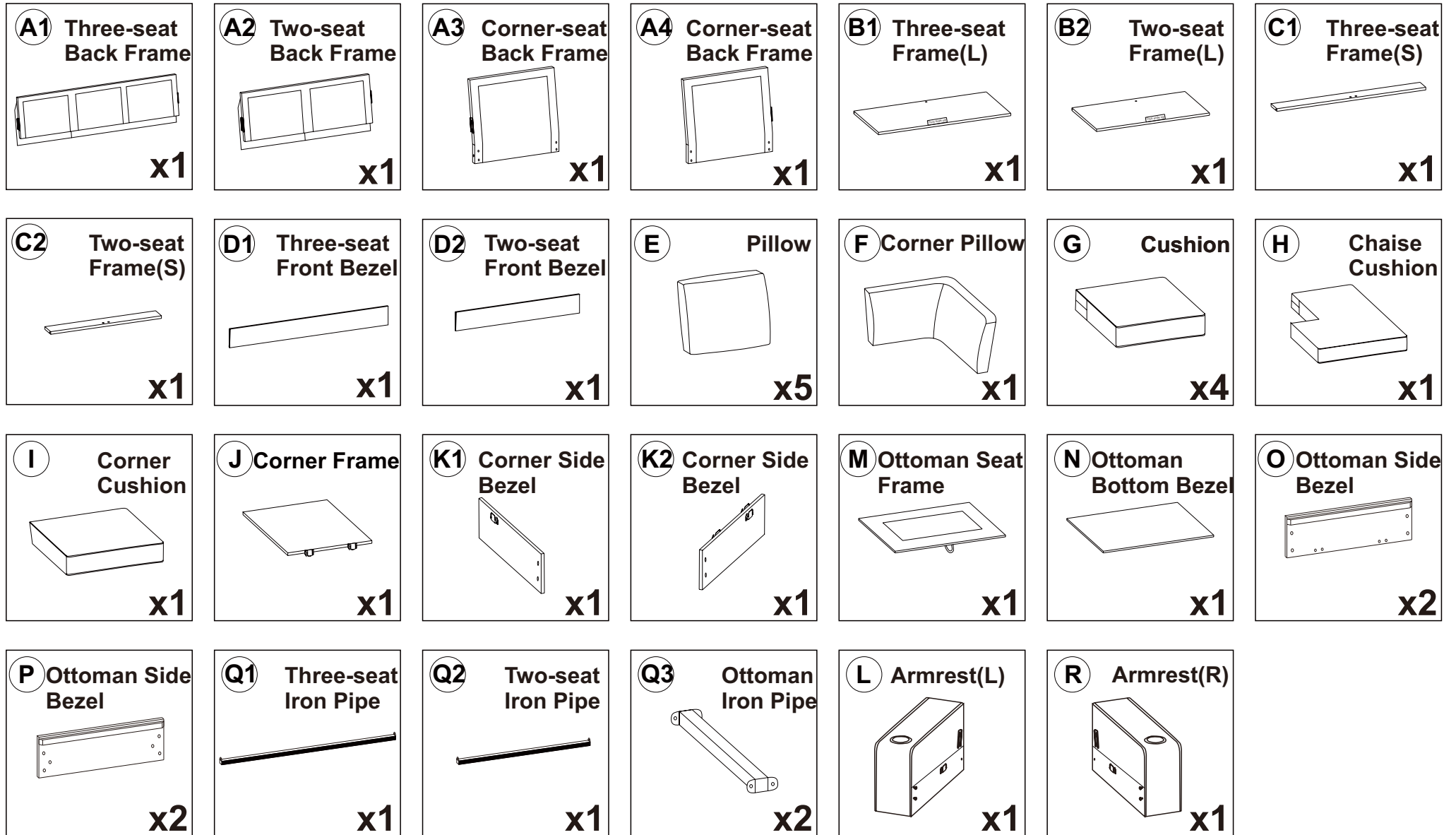
### Main structure accessories

- A3**  Corner-seat Back Frame x1
- A4**  Corner-seat Back Frame x1
- E**  Pillow x1
- G**  Cushion x2
- H**  Chaise Cushion x1
- I**  Corner Cushion x1
- J**  Corner Frame x1
- K1**  Corner Side Bezel x1
- K2**  Corner Side Bezel x1

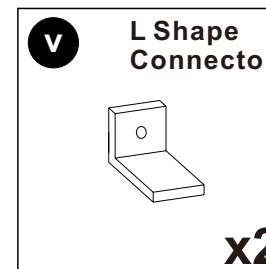
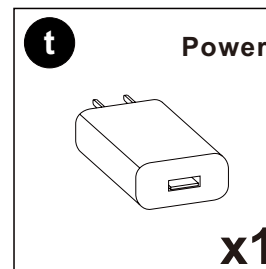
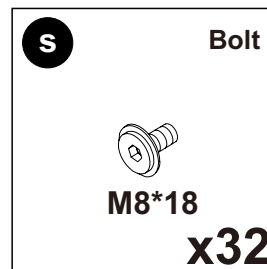
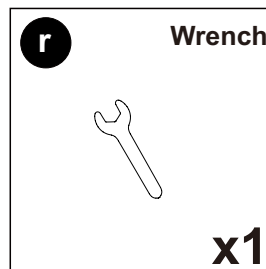
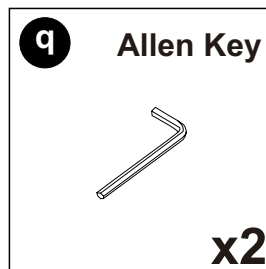
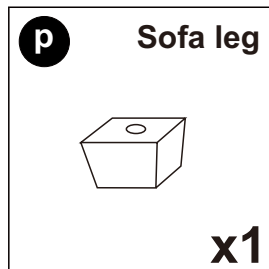
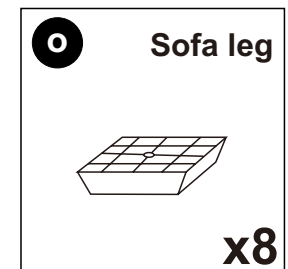
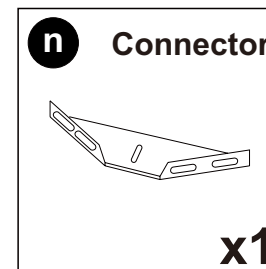
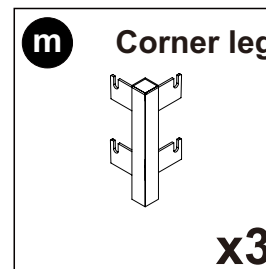
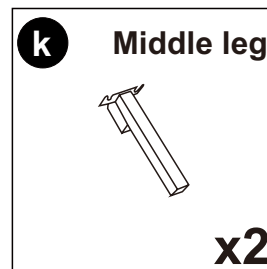
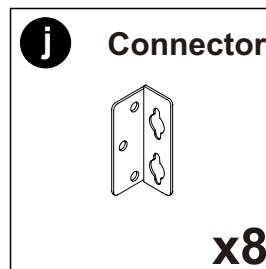
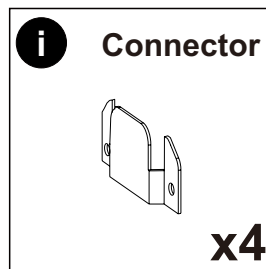
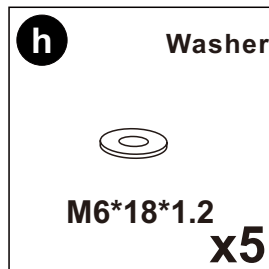
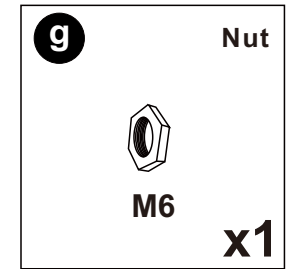
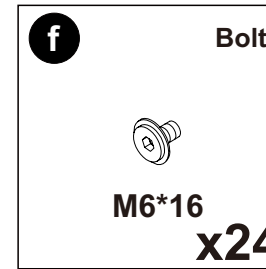
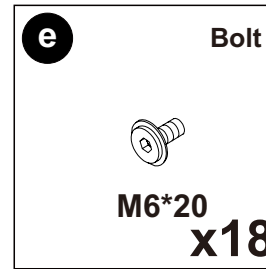
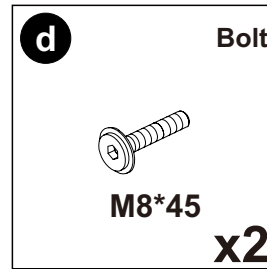
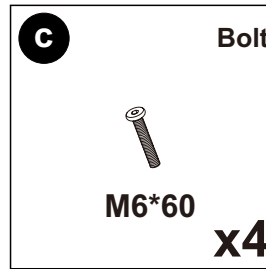
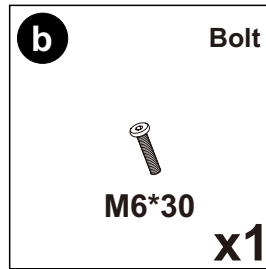
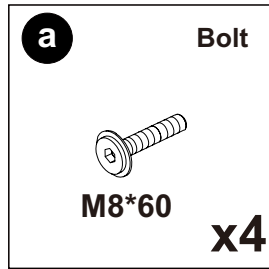
# SOFA



# Main structure accessories



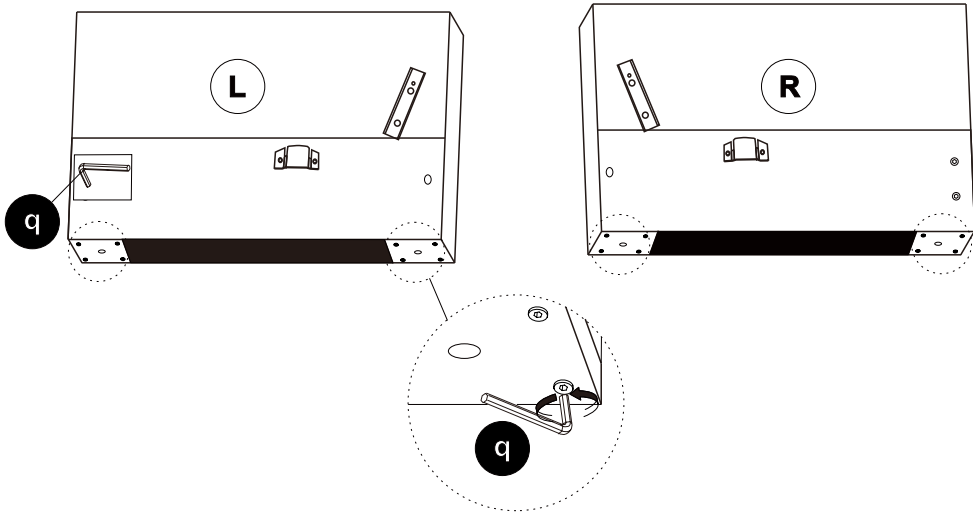
# Structural accessories



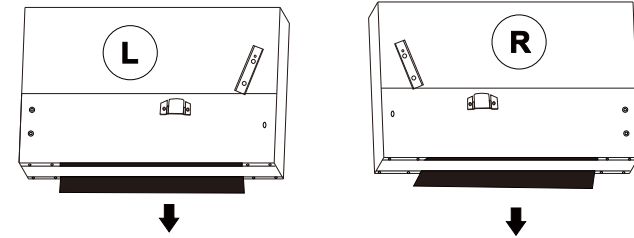
### STEP 1



Attention! Back cushions are stored inside the armrests, please use q to remove screws and take off the wood board.



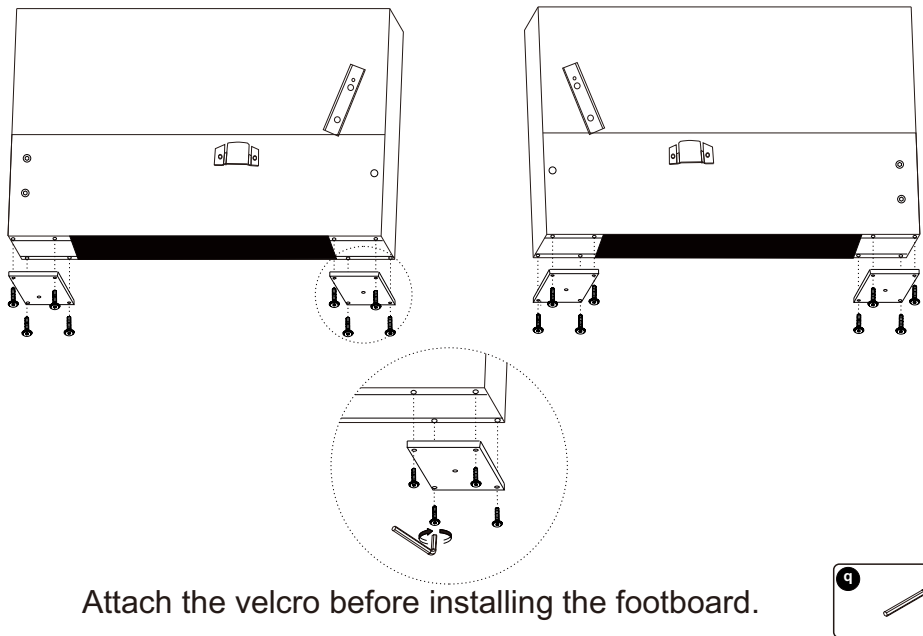
### STEP 2



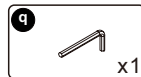
- |          |  |    |          |  |           |    |          |  |           |     |          |  |       |     |
|----------|--|----|----------|--|-----------|----|----------|--|-----------|-----|----------|--|-------|-----|
| <b>i</b> |  | x4 | <b>b</b> |  | M6*30     | x1 | <b>c</b> |  | M6*60     | x4  | <b>a</b> |  | M8*60 | x4  |
| <b>l</b> |  | x8 | <b>e</b> |  | M6*20     | x2 | <b>f</b> |  | M6*16     | x8  | <b>d</b> |  | M8*45 | x2  |
| <b>k</b> |  | x2 | <b>g</b> |  | M6        | x1 | <b>h</b> |  | M6*18*1.2 | x4  | <b>e</b> |  | M6*20 | x16 |
| <b>m</b> |  | x3 | <b>h</b> |  | M6*18*1.2 | x1 | <b>s</b> |  | M8*18     | x20 | <b>q</b> |  | M6    | x1  |
| <b>n</b> |  | x1 | <b>r</b> |  |           | x1 |          |  |           |     | <b>s</b> |  | M8*18 | x12 |
| <b>o</b> |  | x8 |          |  |           |    |          |  |           |     |          |  |       |     |
| <b>p</b> |  | x1 |          |  |           |    |          |  |           |     |          |  |       |     |
| <b>t</b> |  | x1 |          |  |           |    |          |  |           |     |          |  |       |     |
| <b>u</b> |  | x2 |          |  |           |    |          |  |           |     |          |  |       |     |

Take out of all the accessories from the bottom of L and R.

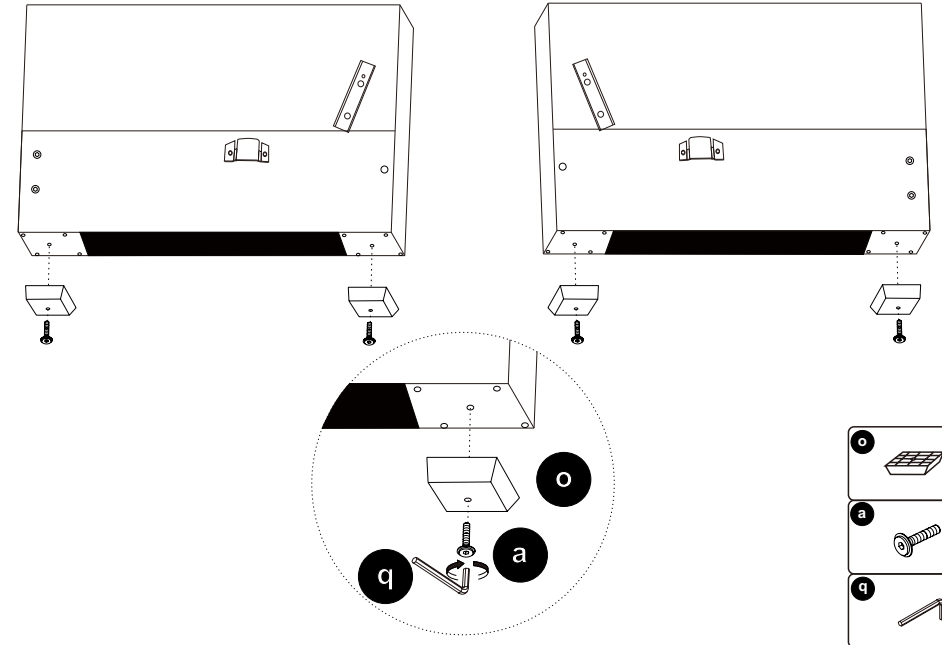
### STEP 3



Attach the velcro before installing the footboard.



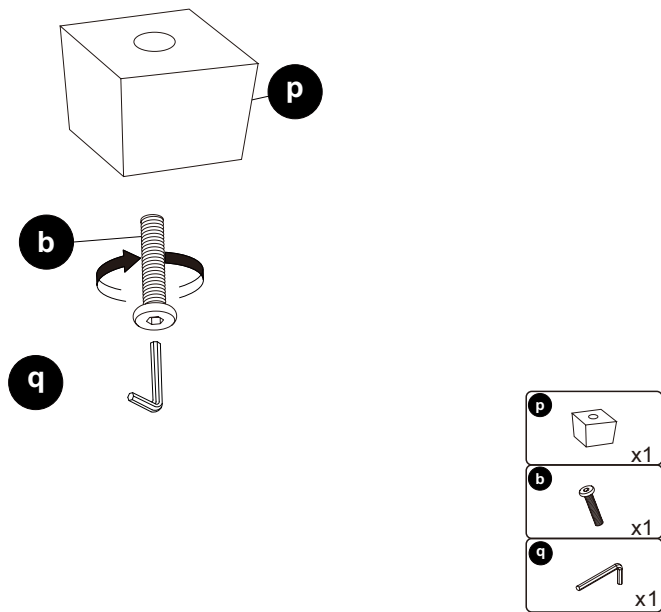
### STEP 4



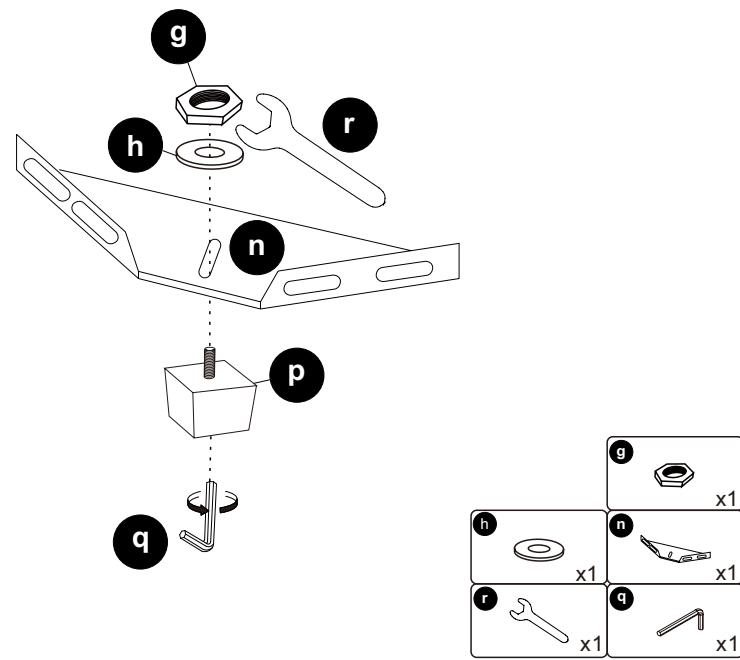
- |          |  |    |
|----------|--|----|
| <b>o</b> |  | x4 |
| <b>a</b> |  | x4 |
| <b>q</b> |  | x1 |



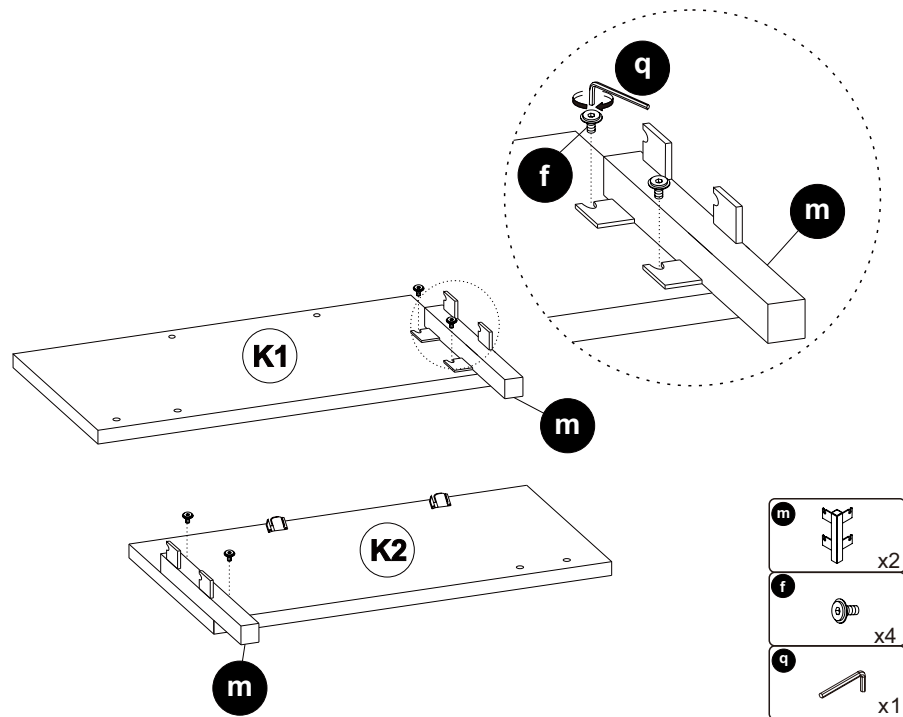
### STEP 5



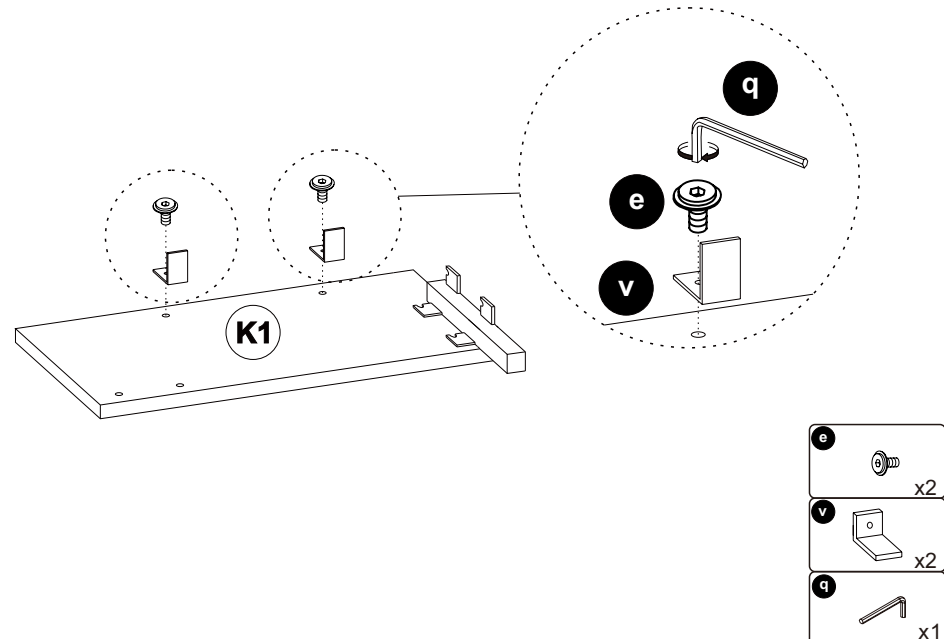
### STEP 6



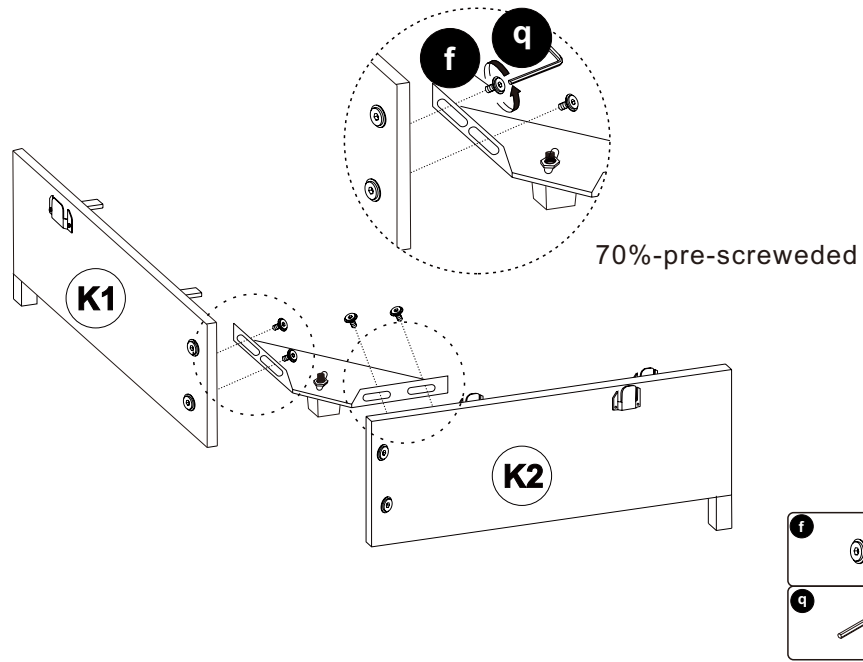
### STEP 7



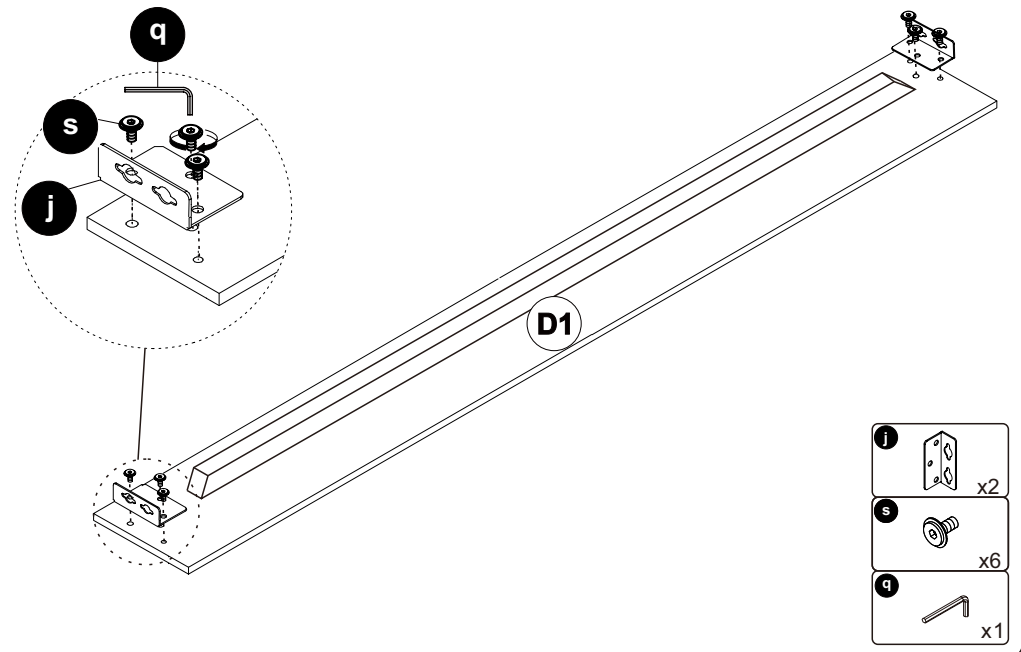
### STEP 8



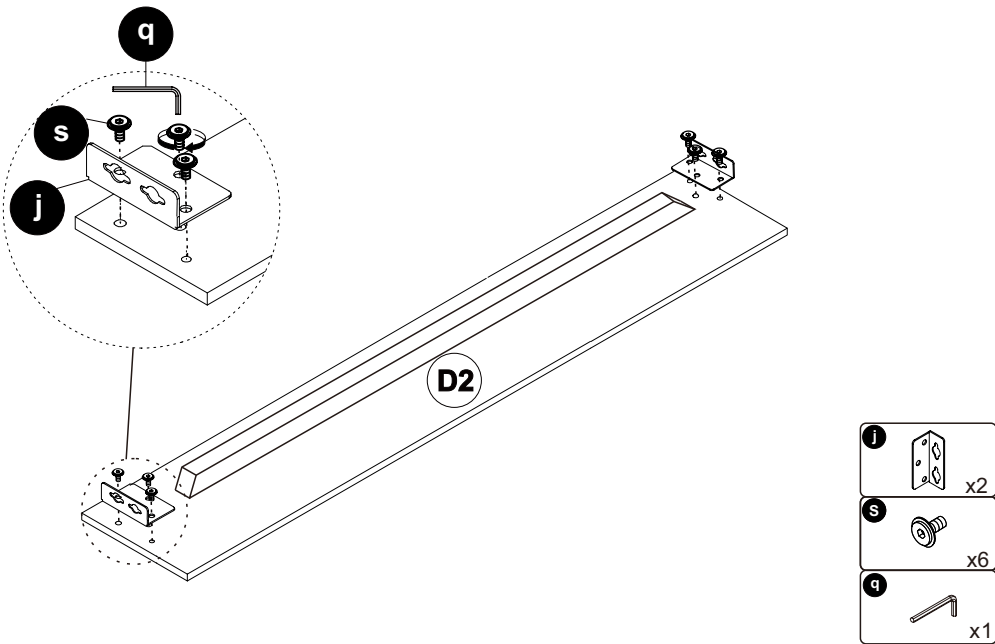
### STEP 9



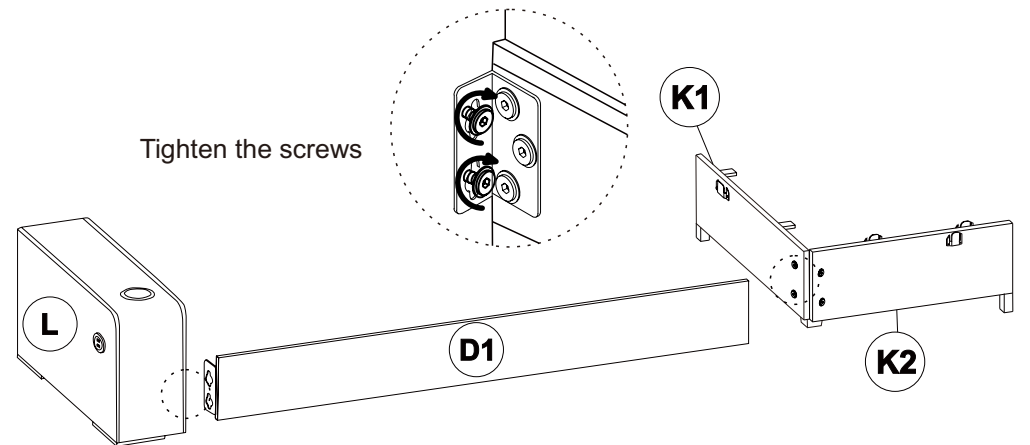
### STEP 10



### STEP 11

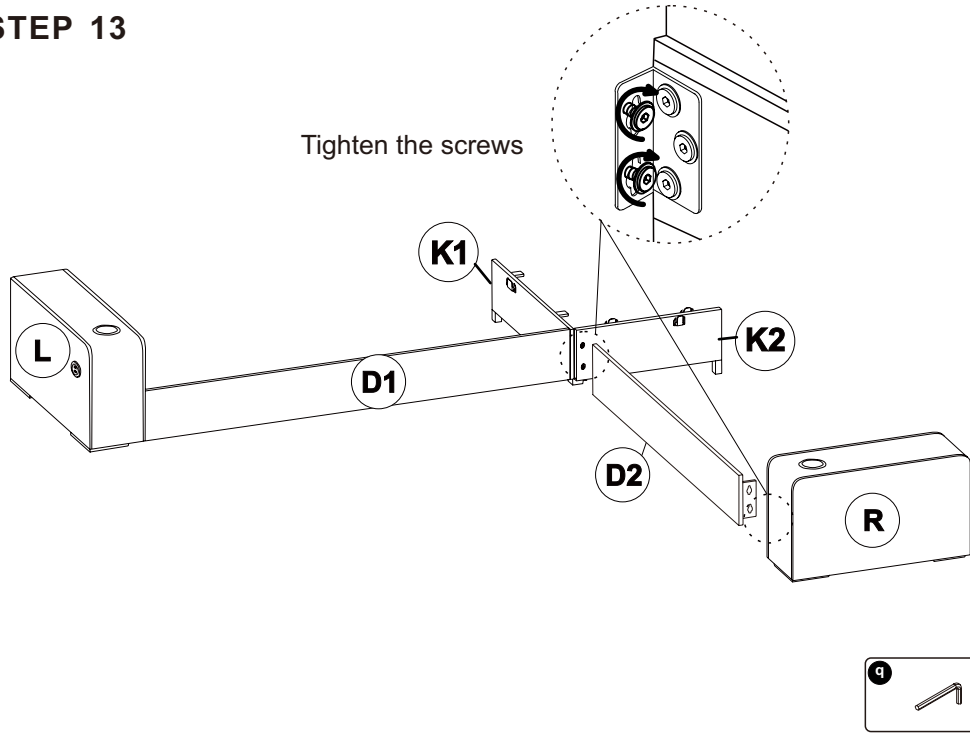


### STEP 12



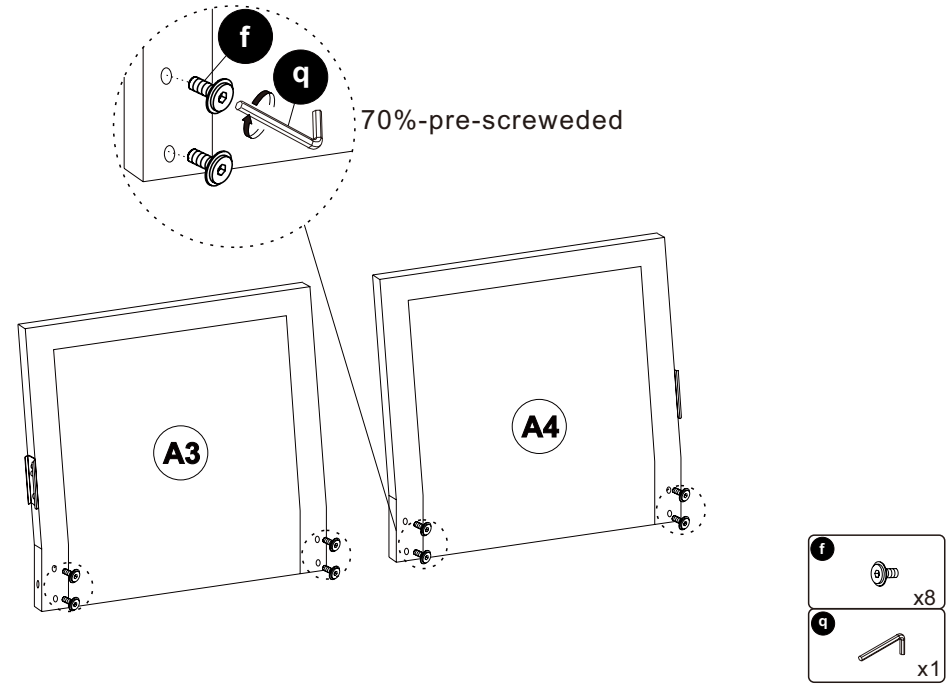
### STEP 13

Tighten the screws



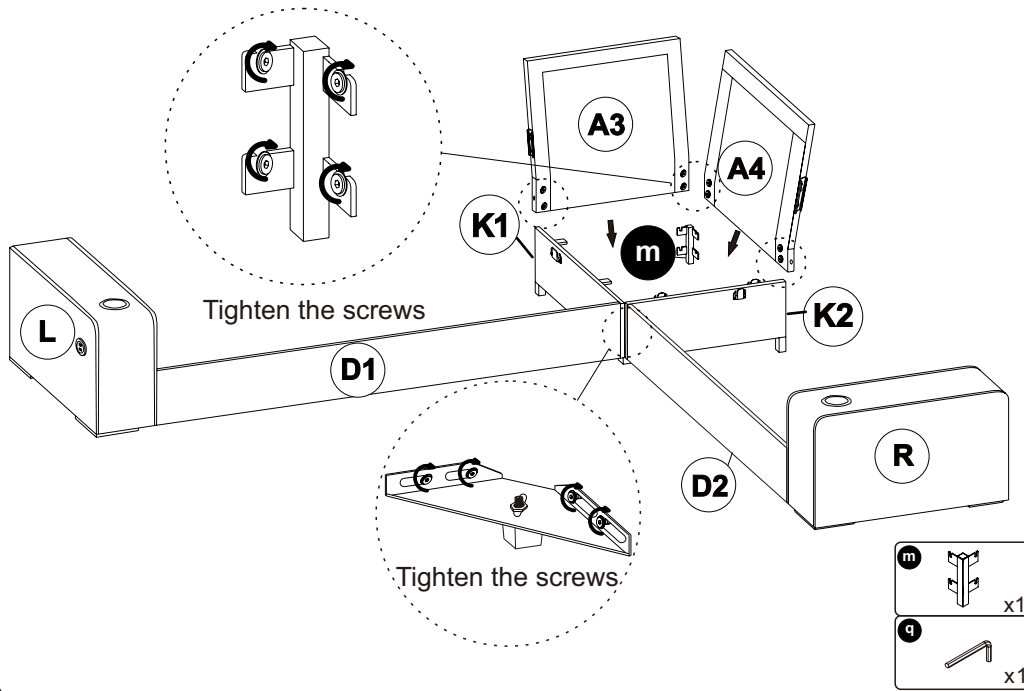
### STEP 14

70%-pre-screwed

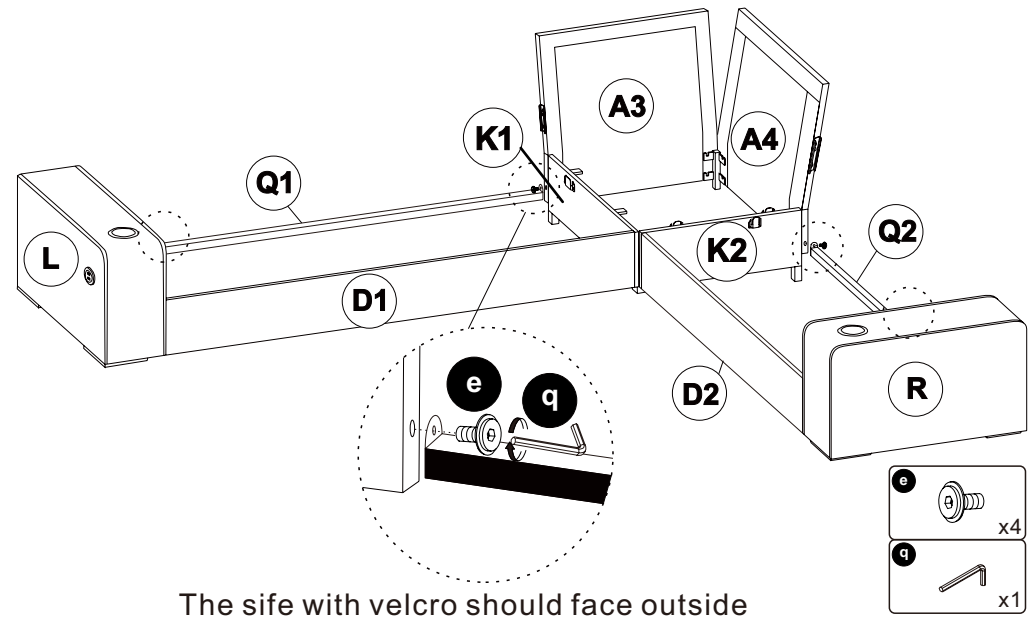


### STEP 15

Tighten the screws

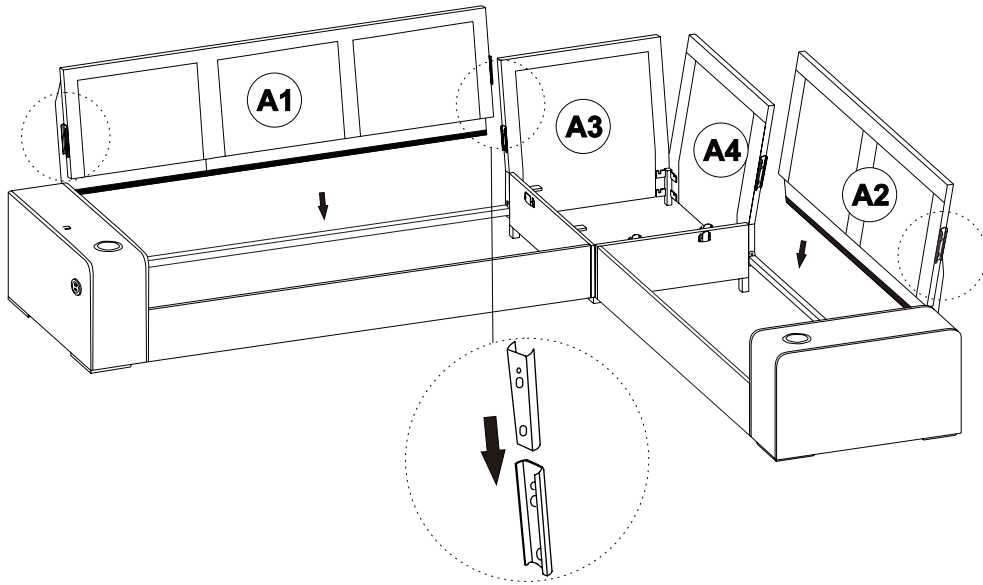


### STEP 16

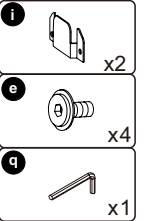
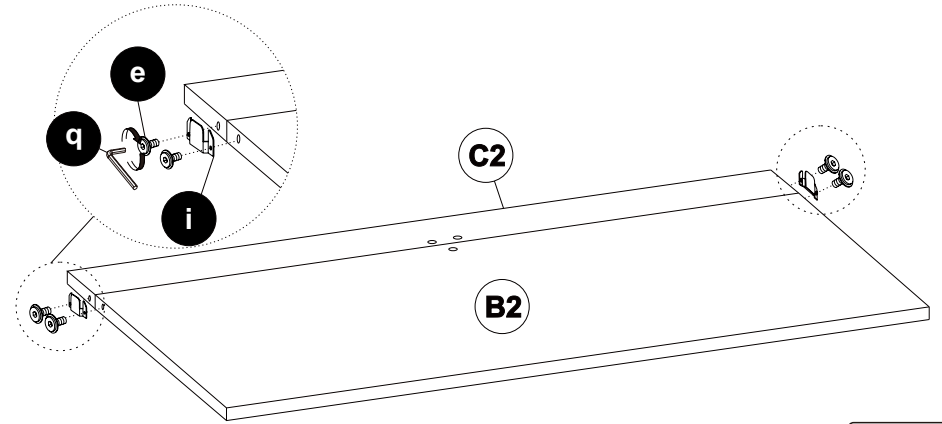


The side with velcro should face outside

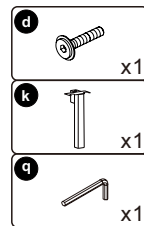
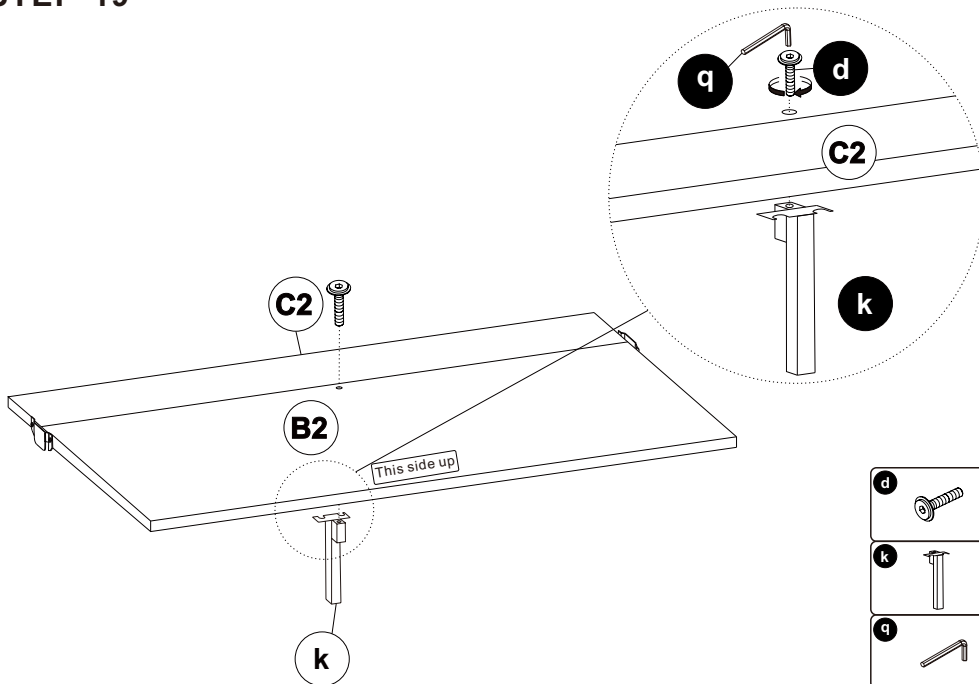
### STEP 17



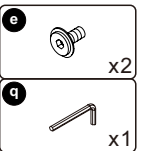
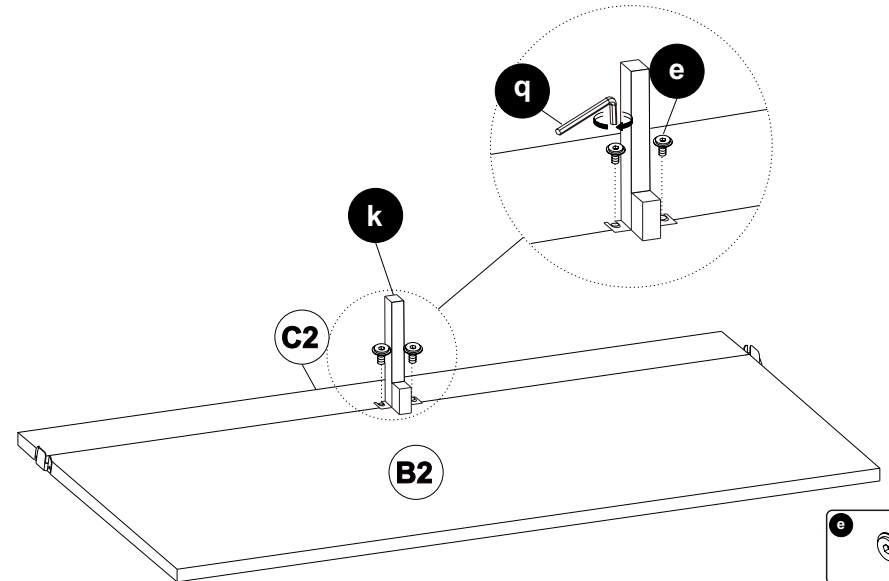
### STEP 18



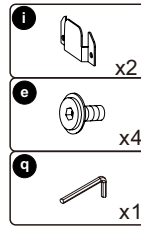
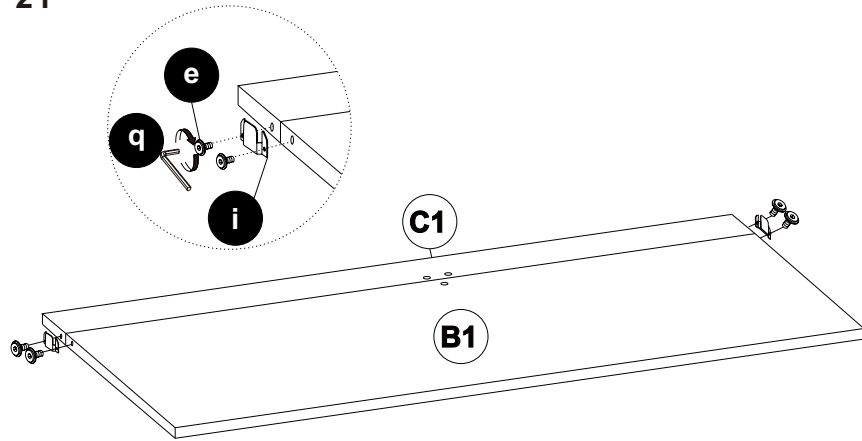
### STEP 19



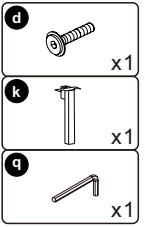
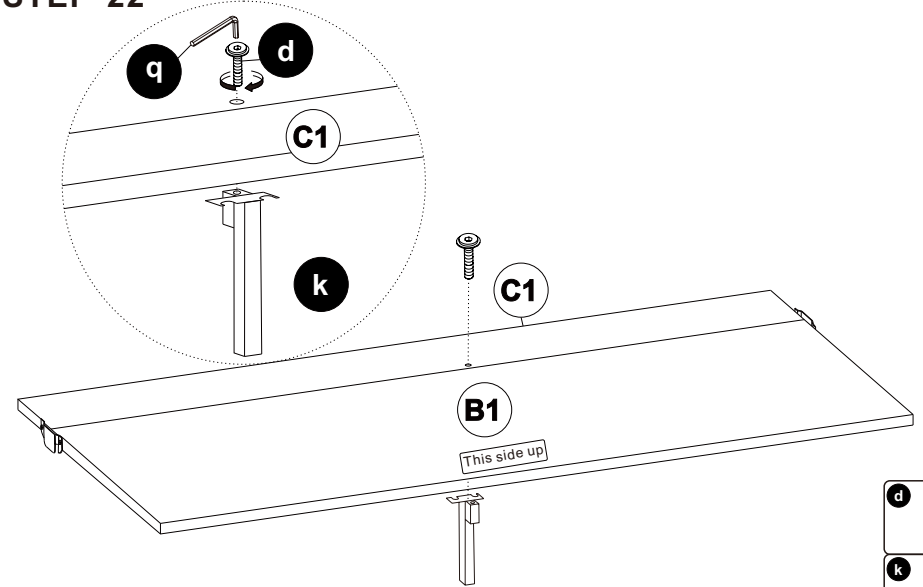
### STEP 20



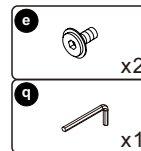
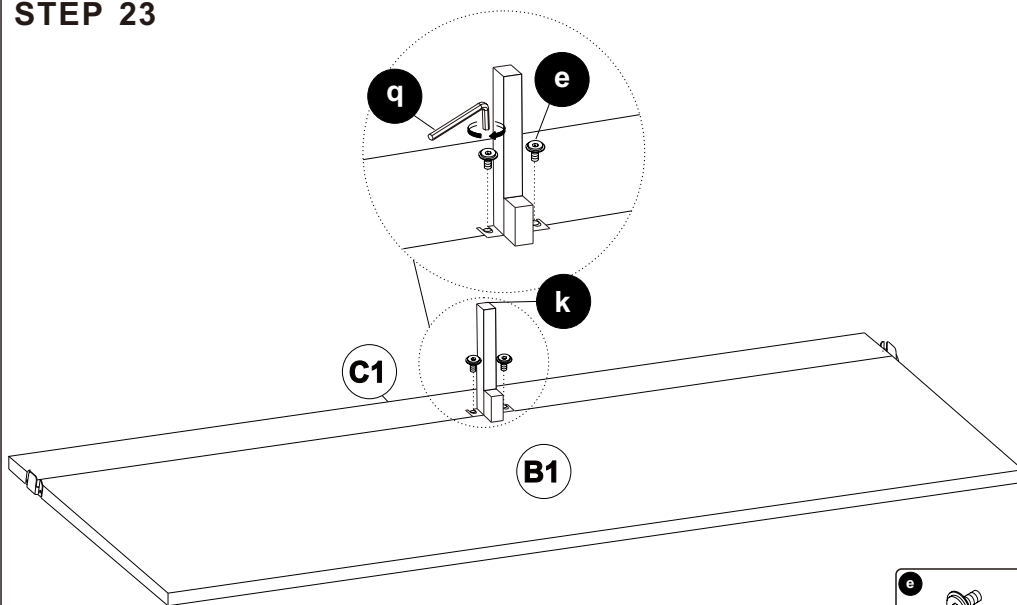
### STEP 21



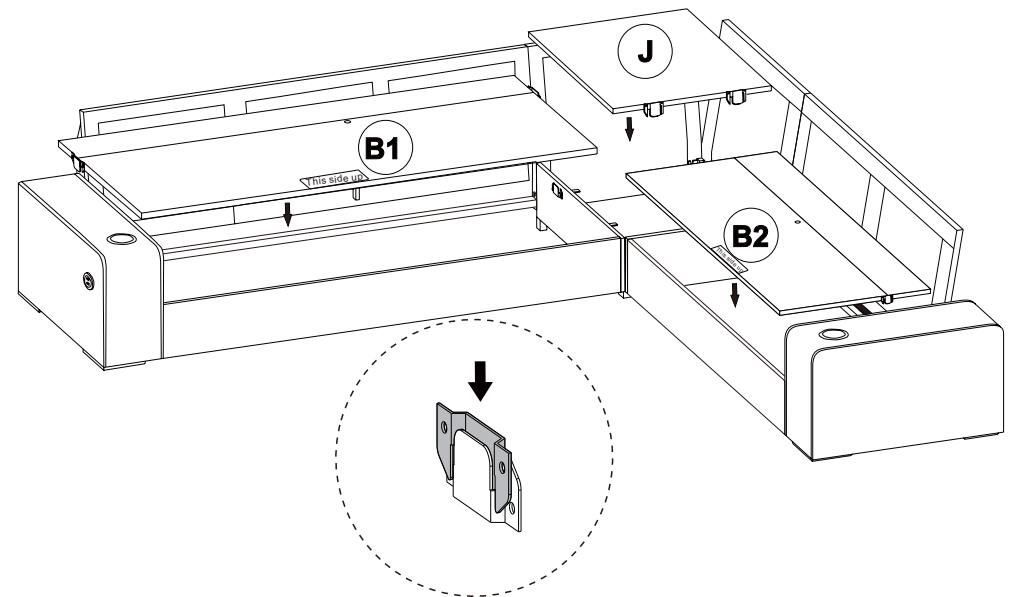
### STEP 22



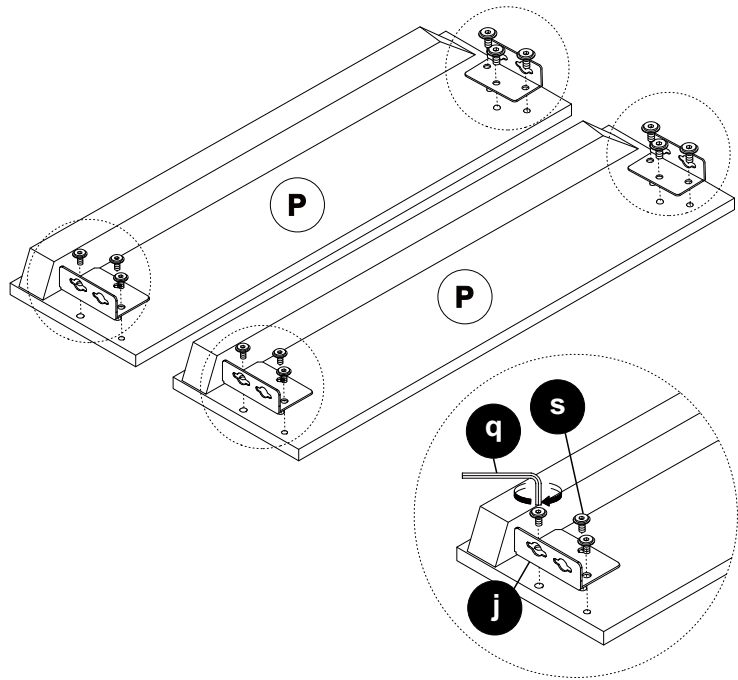
### STEP 23



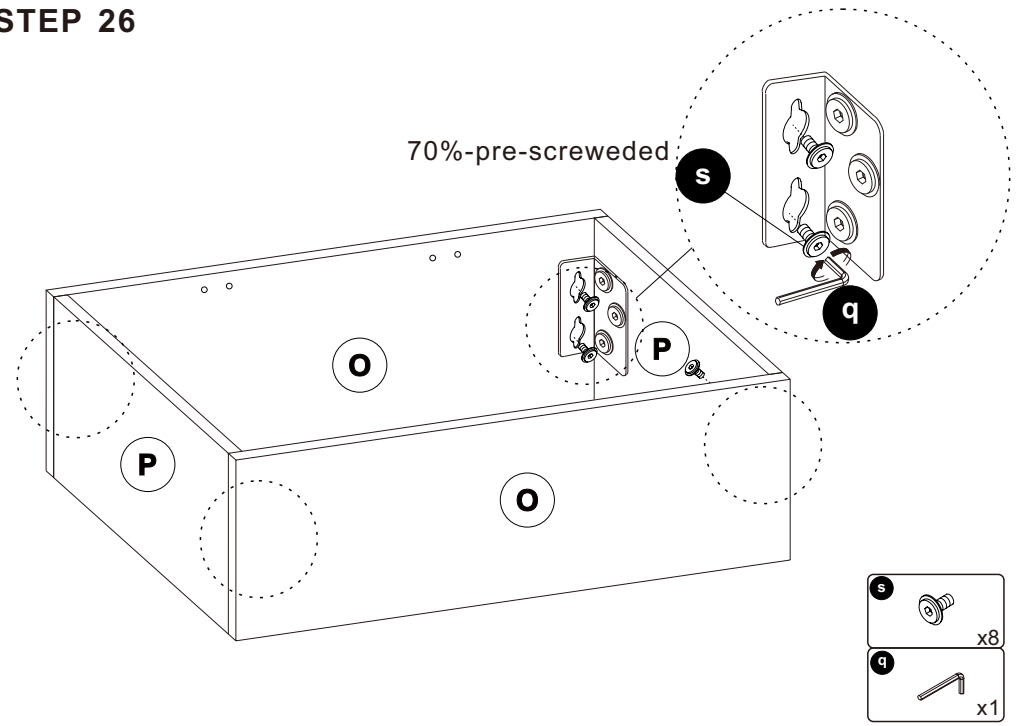
### STEP 24



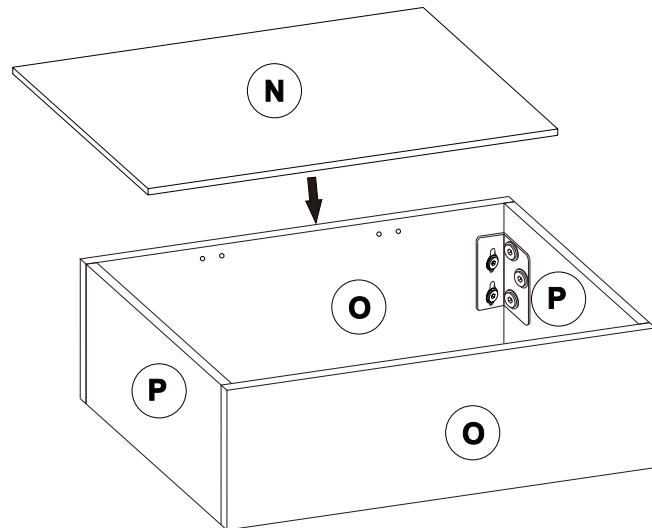
### STEP 25



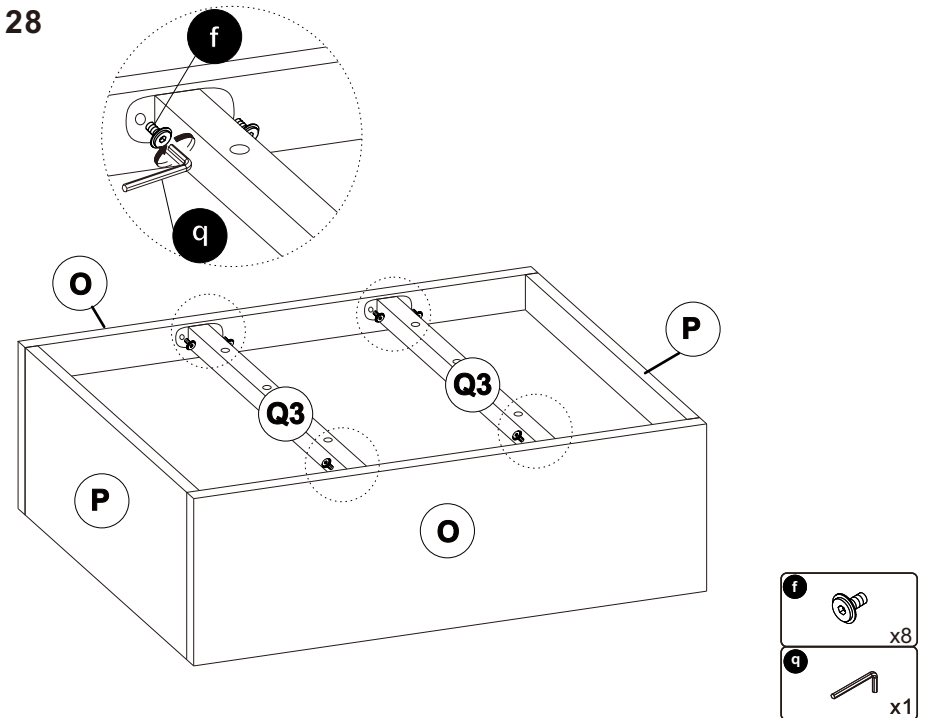
### STEP 26



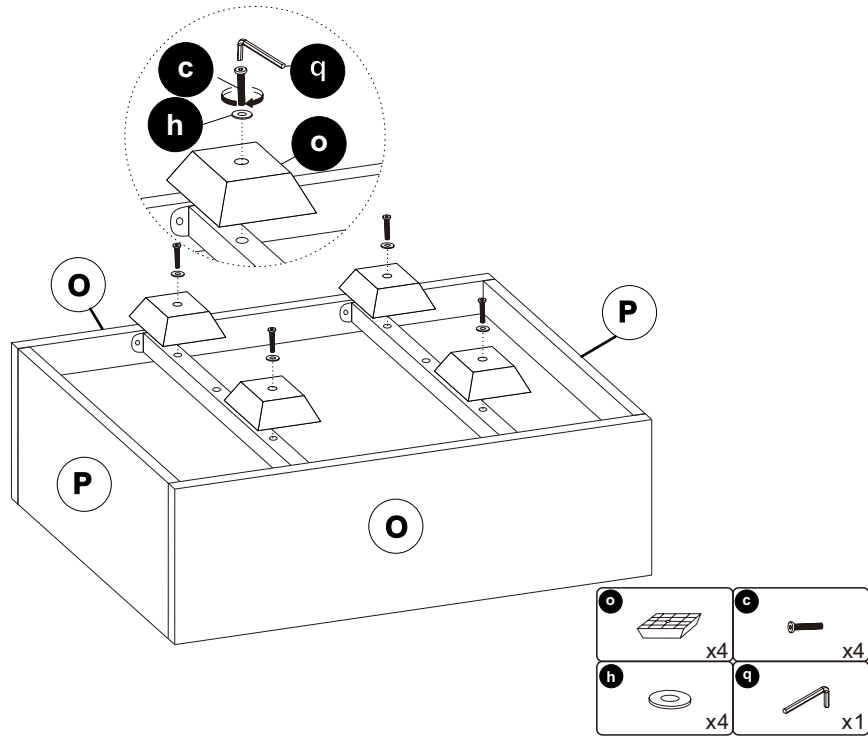
### STEP 27



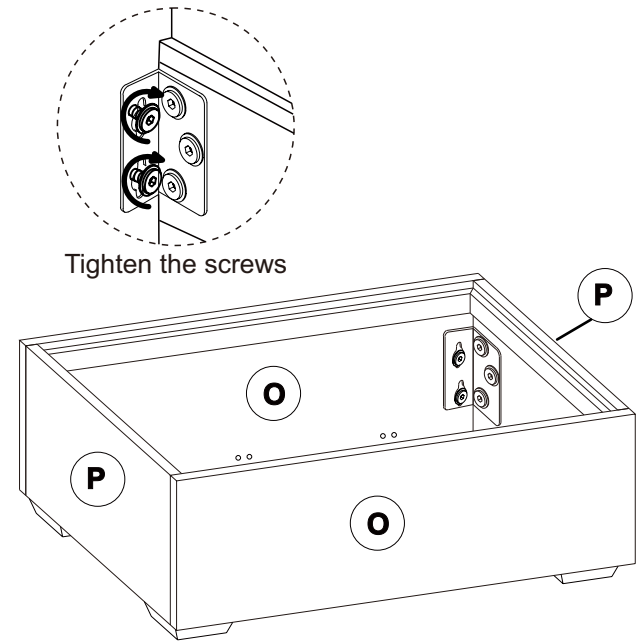
### STEP 28



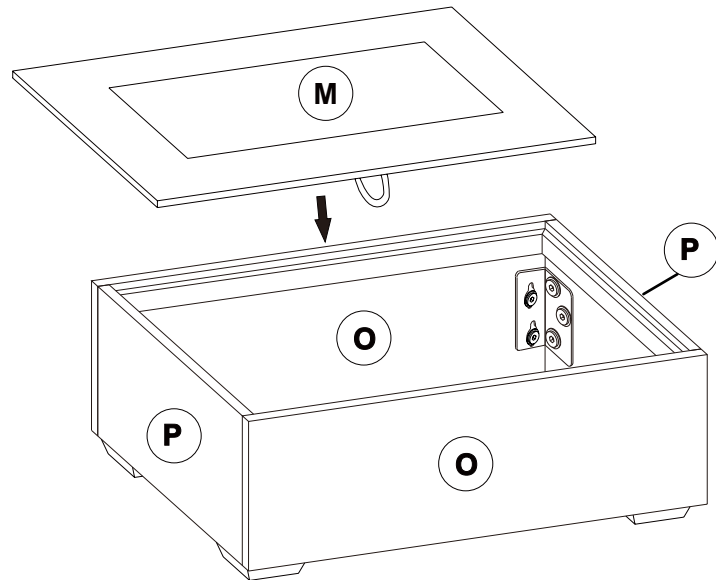
### STEP 29



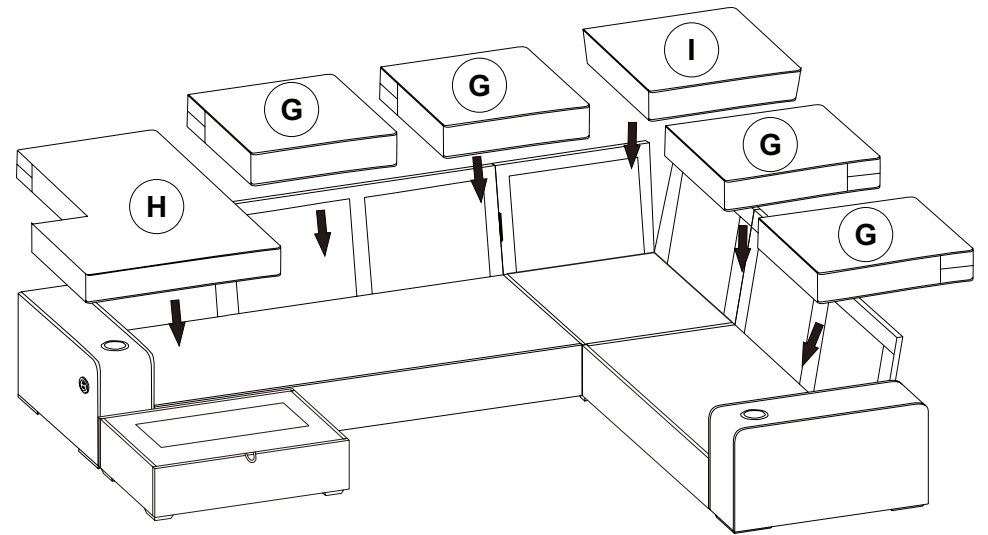
### STEP 30



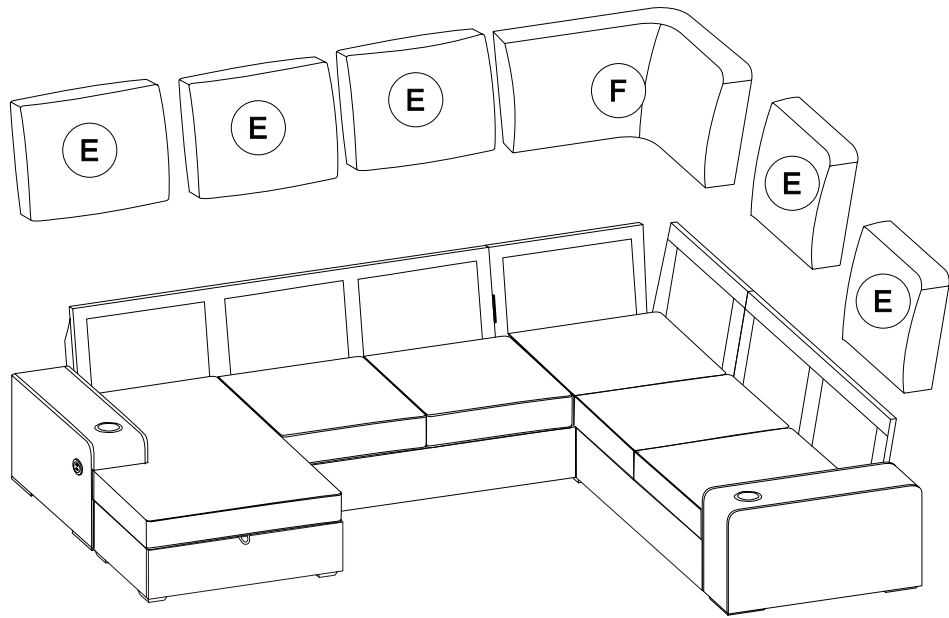
### STEP 31



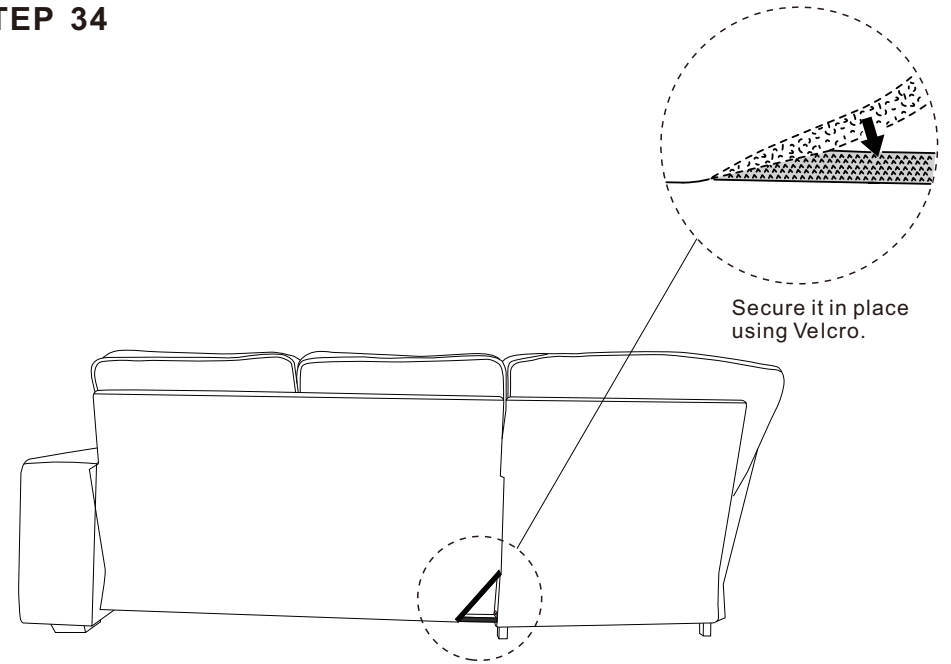
### STEP 32



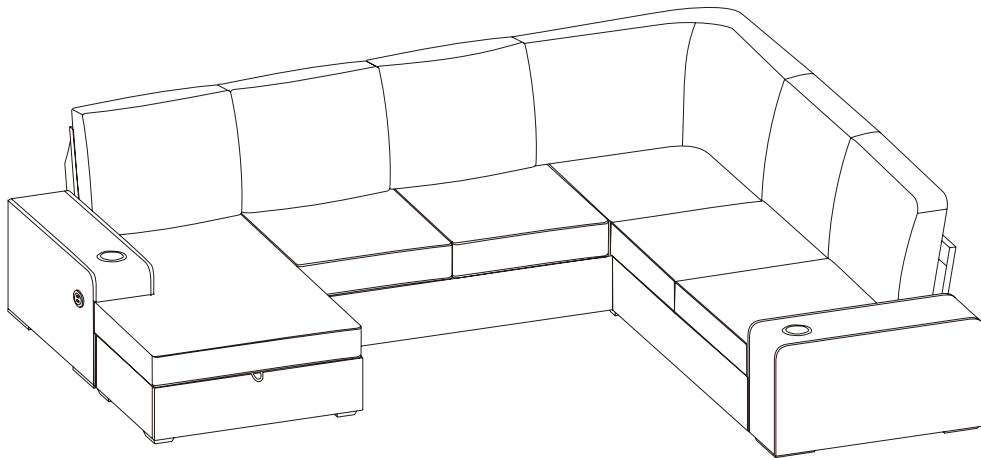
**STEP 33**



**STEP 34**



**STEP 35**



**STEP 36**

