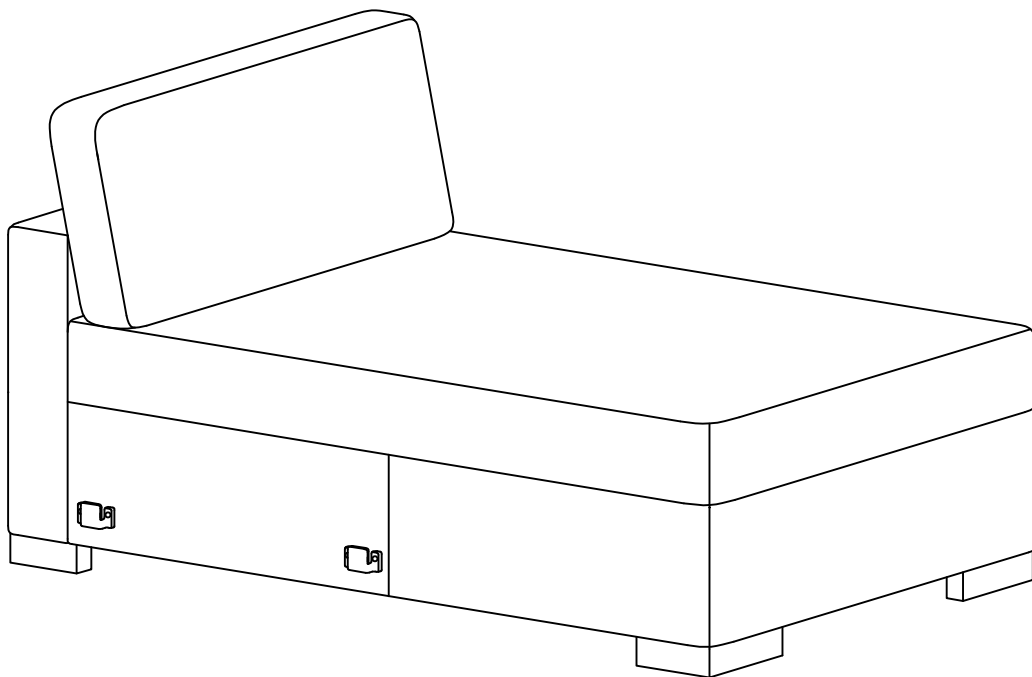


SOFA

Assembly Instruction

SKU:1063030024B/1063030029B



Any question please feel free to contact us:
support@merluxyhome.com TEL:901-347-2181
We will provide further assistance within 24 hours.

Dear customers,

Thank you for purchasing our product. Please read this instruction manual carefully after receiving this product. It will help you assemble this product quickly, safely, and correctly. You can keep this manual for future reference.



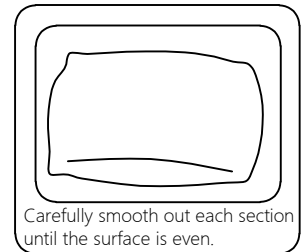
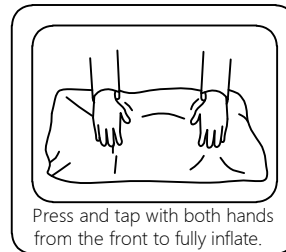
Safety and care advice

Important—Please read these instructions fully before starting assembly

Thanks for your purchase. Before the assembly please follow the instructions to check if all the spare parts and screws are intact.

- Considering the size and weight of the sofa, we recommend two adults to assemble the sofa, on a carpeted or padded area, in the room that it is intended for. Approximate assembly time: 30 minutes.
- Please do not throw away any of the packaging or the instruction until you have checked all the components and hardware and the furniture is fully assembled. Please ensure that the packaging is disposed in a safe and environmentally friendly way.
- Keep all components and packaging out of reach of children or animals to avoid the risk of choking or suffocation.
- Please do not take off the cover, and do not wash.

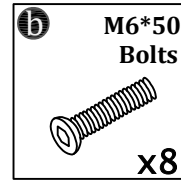
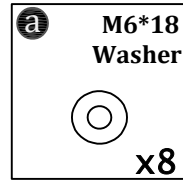
Your cushions come vacuum packed and sealed for shipping. To restore the cushion's original shape, follow the steps below.



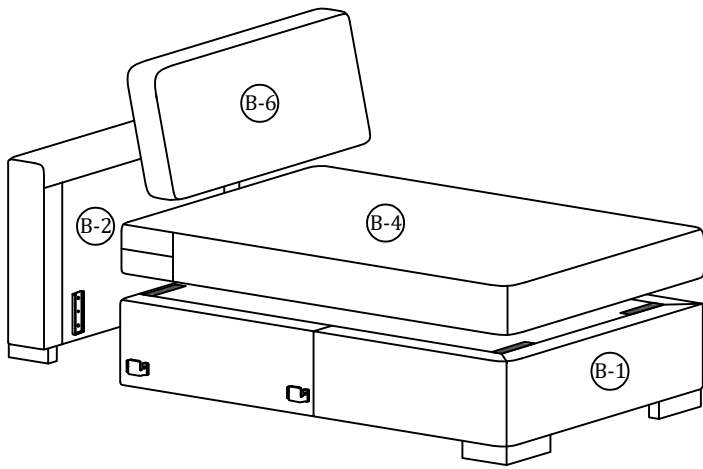
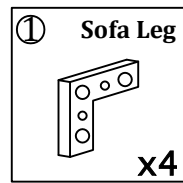
After packing up, place them in somewhere dry and ventilated. After about 72-96 hours, it can be restored to the best use condition.

Assembly Instruction of Sofa

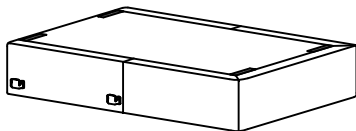
Hardware parts



Structural accessories

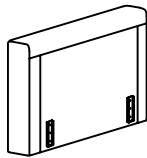


Main structure accessories



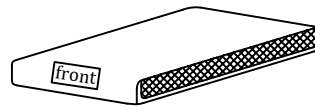
(B-1) 1pc

Sofa Frame



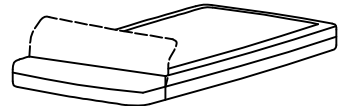
(B-2) 1pc

Back Frame



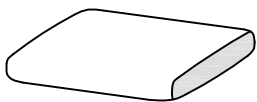
(B-3) 1pc

Seat Foam



(B-4) 1pc

Seat Pad Cover



(B-5) 1pc

Back Foam



(B-6) 1pc

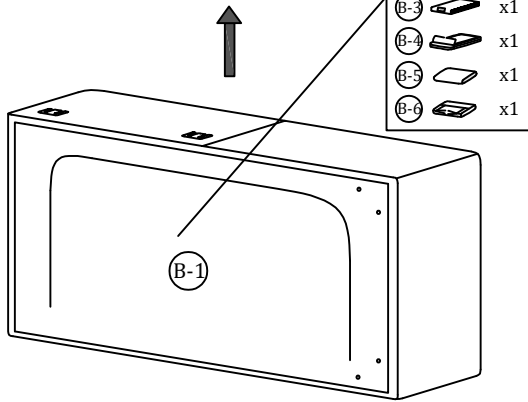
Back Cover

Assembly Instruction of Sofa

Step 1

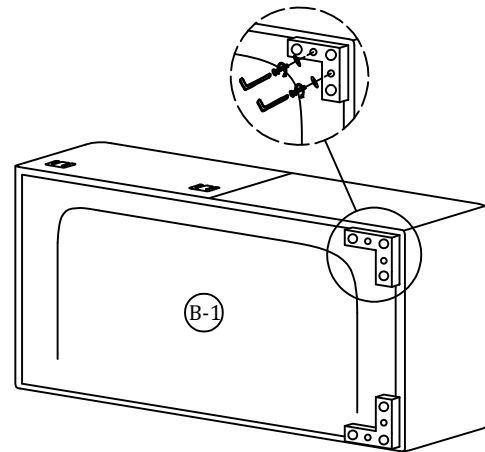
Attention!

Take out of the accessories from the bottom of B-1.



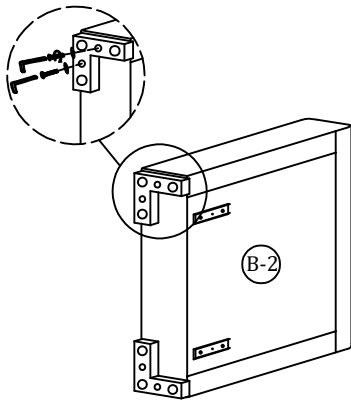
a	○	x8
b	⌋	x8
c	└	x1
①	└	x4
B-2	▭	x1
B-3	▭	x1
B-4	▭	x1
B-5	▭	x1
B-6	▭	x1

Step 2



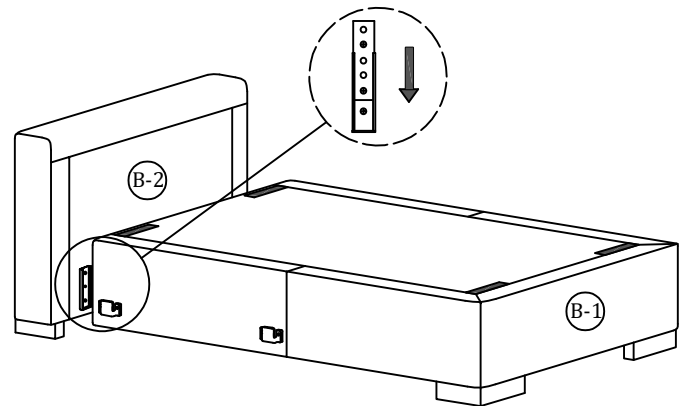
c	└	x1
b	⌋	x4
a	○	x4
①	└	x2

Step 3



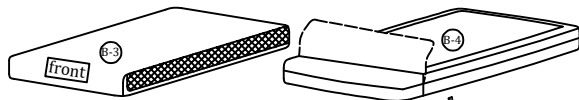
c	└	x1
b	⌋	x4
a	○	x4
①	└	x2

Step 4



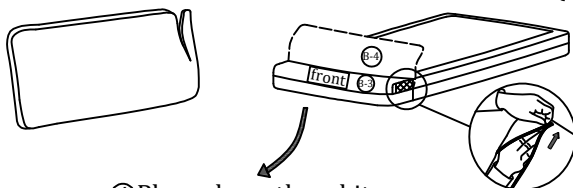
Step 5

② Take out the Seat Foam(B-3).

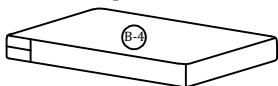


① Open the sealed bag.

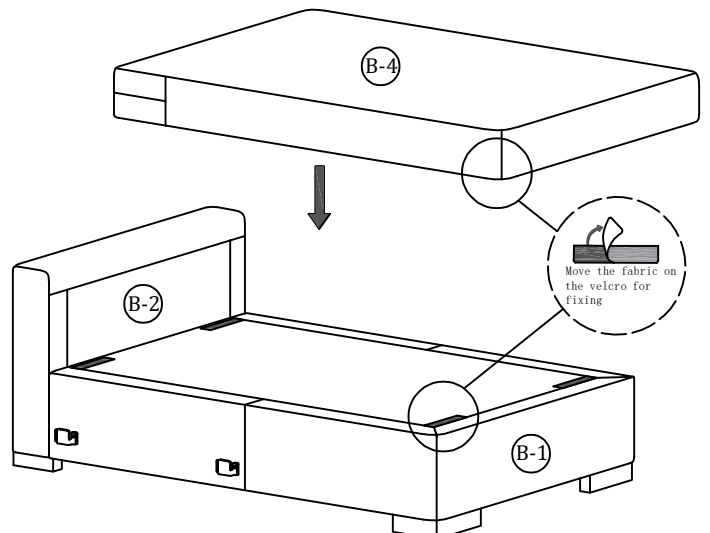
③ Insert the Seat Foam(B-3) into the Seat Pad Cover(B-4).



④ Please keep the white side up and front.



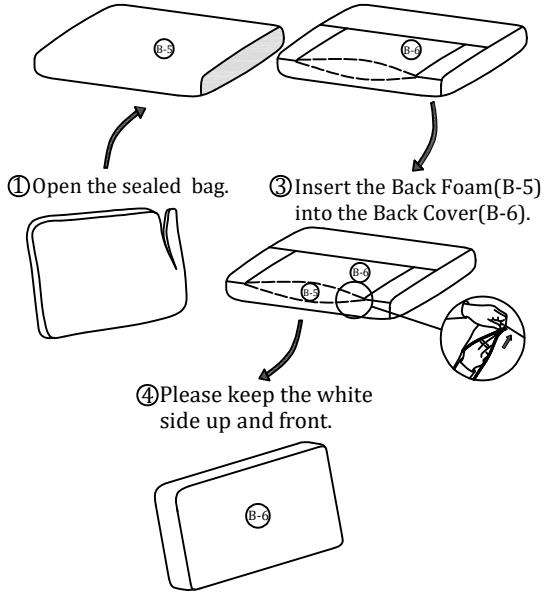
Step 6



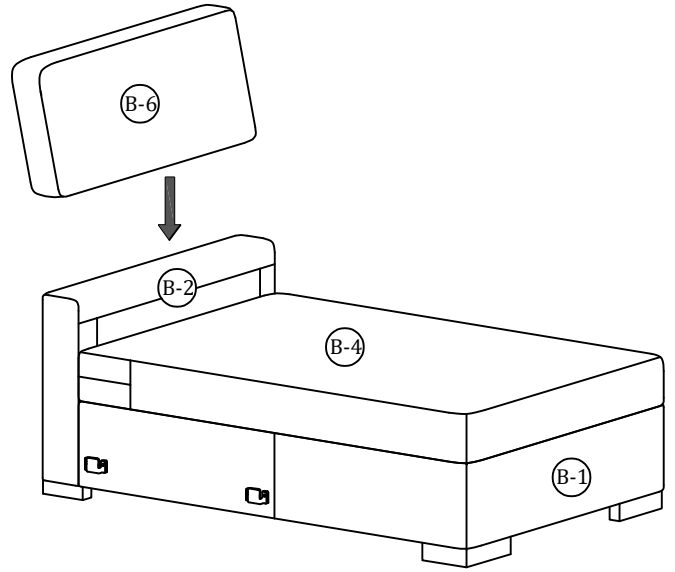
Assembly Instruction of Sofa

Step 7

② Take out the Back Foam(B-5).



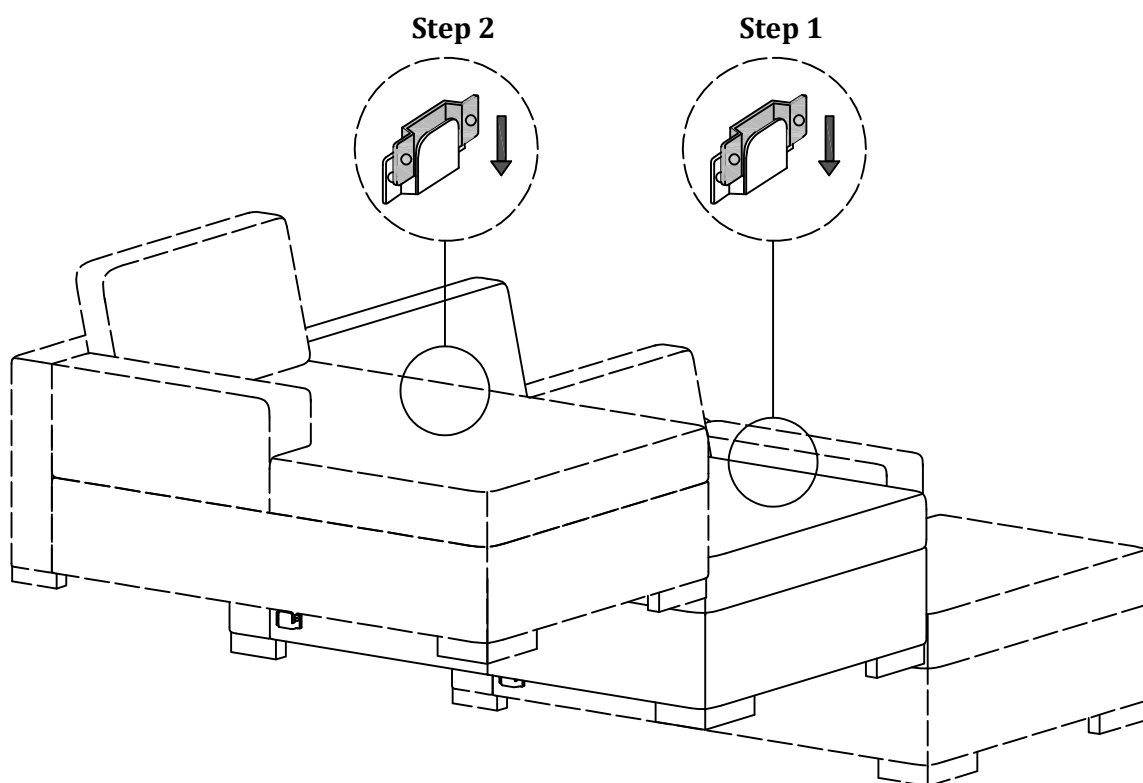
Step 8



Assembly Instruction of Combination

Step 1

Additional products need to be purchased before connecting.
Assemble from right to left.



Step 2

