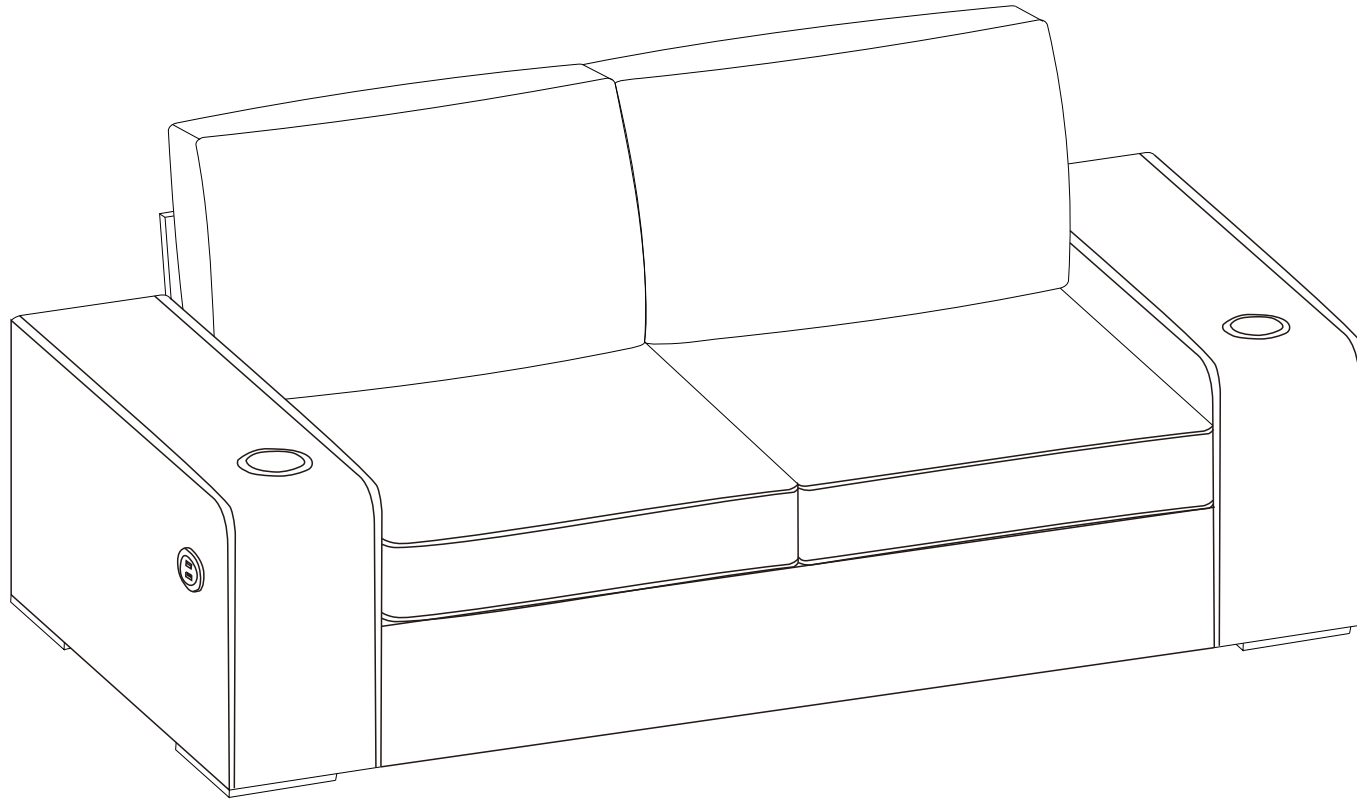


# CONTEMPORARY SOFA

## Assembly Instruction



### NOTE:

Comes with TWO PACKAGES with TWO TRACKINGS, may NOT be delivered at the same time.

Any question please feel free to contact us:  
[support@merluxyhome.com](mailto:support@merluxyhome.com) TEL:901-347-2181  
We will provide further assistance within 24 hours.



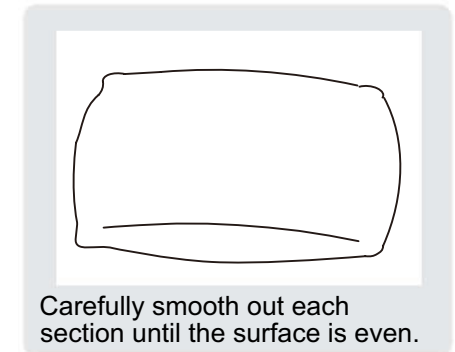
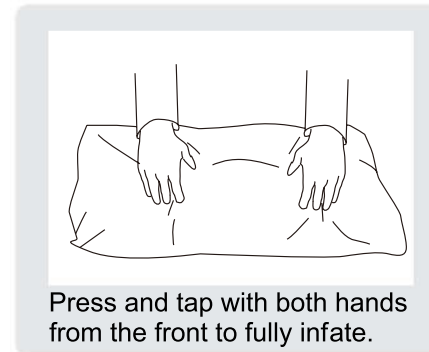
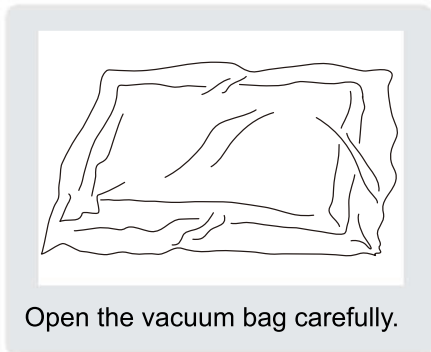
# Safety and Care Advice

**Important – Please read these instructions fully before starting assembly**

Thanks for your purchase. Before the assembly. Please follow the instruction to check if all the spare parts and screws are intact.

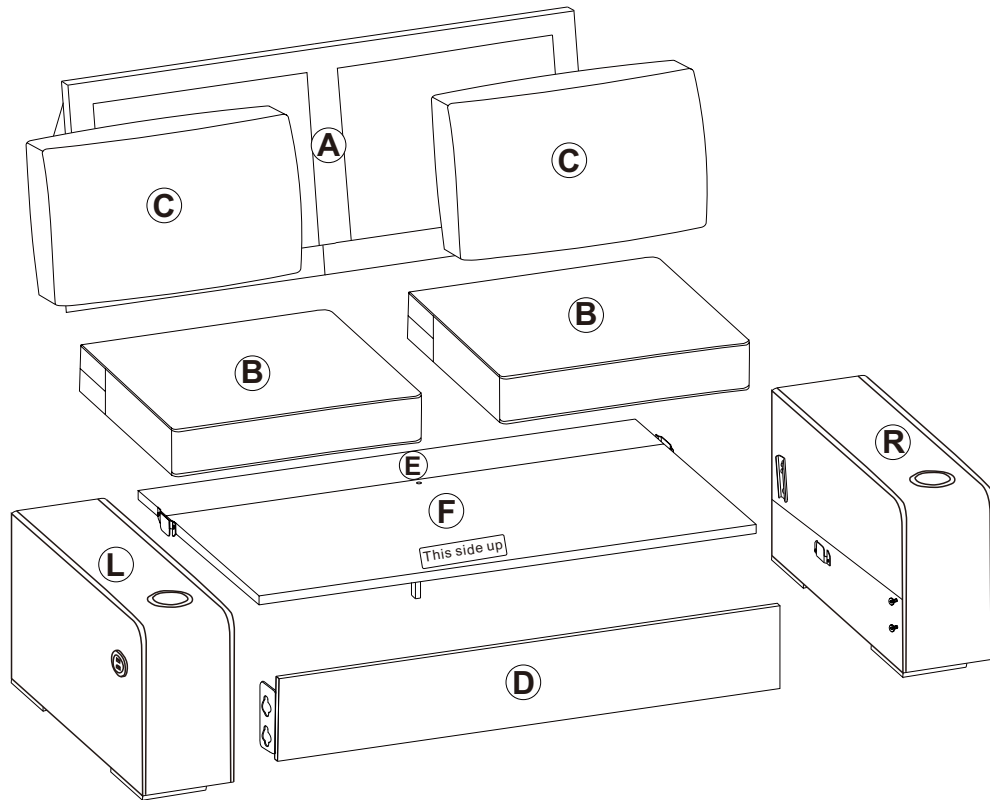
- Considering the size and weight of the sofa, we recommend two adults to assemble the sofa, on a carpeted or padded area, in the room that it is intended for. Approximate assembly time: 30 minutes.
- Keep all components and packaging out of reach of children or animals to avoid risk of choking or suffocation.
- Please do not throw away any of the packaging or the instruction until you have checked all the components and hardware and the furniture is fully assembled. Please ensure that the packaging is disposed in a safe and environmentally friendly way.
- Please do not take off the cover, and do not wash.

Your cushions come vacuum packed and sealed for shipping. To restore the cushion's original shape. follow the steps below.

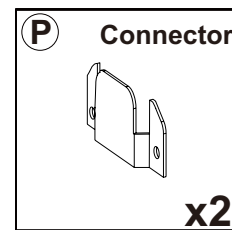
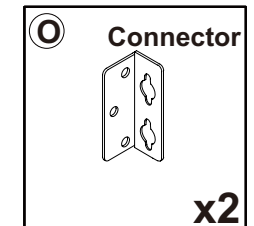
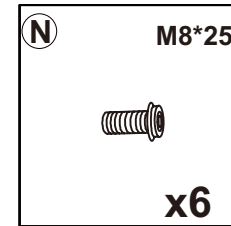
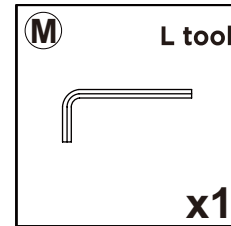
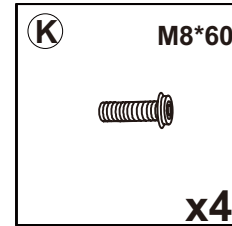
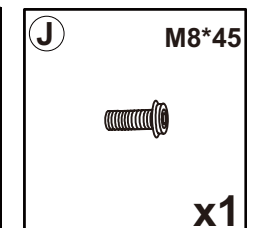
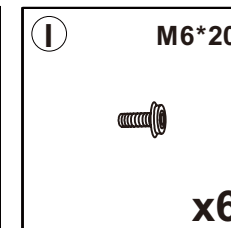
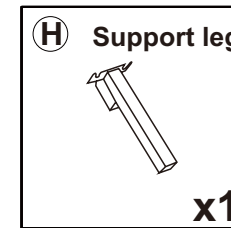
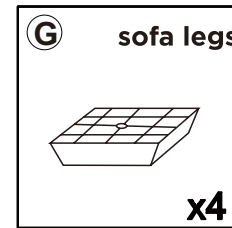


After packing up, place them in somewhere dry and ventilated. After about 72-96 hours. It can be restored to the best use condition.

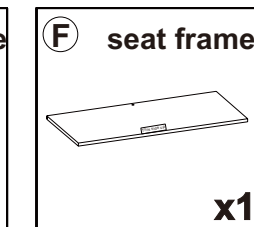
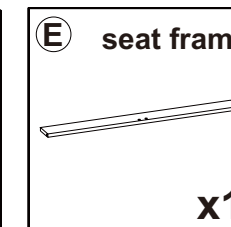
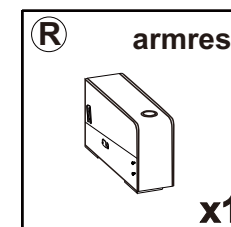
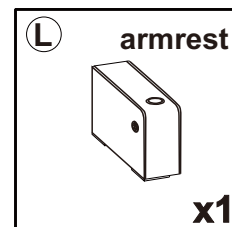
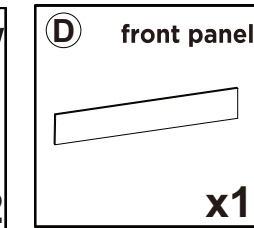
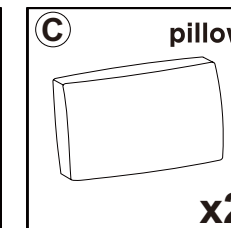
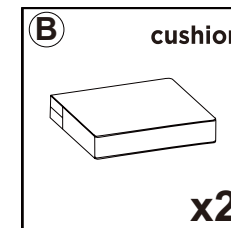
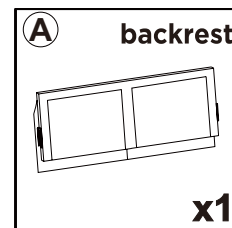
# SOFA



## Hardware parts



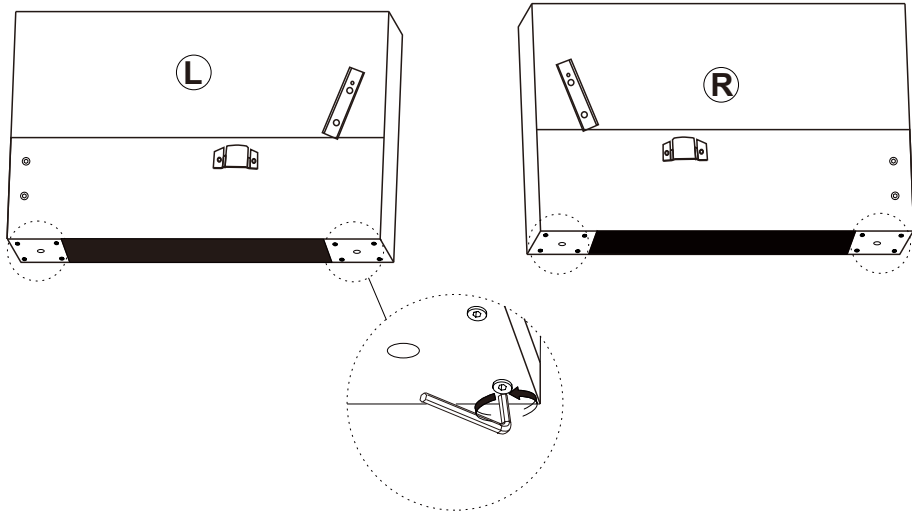
## Main structure accessories



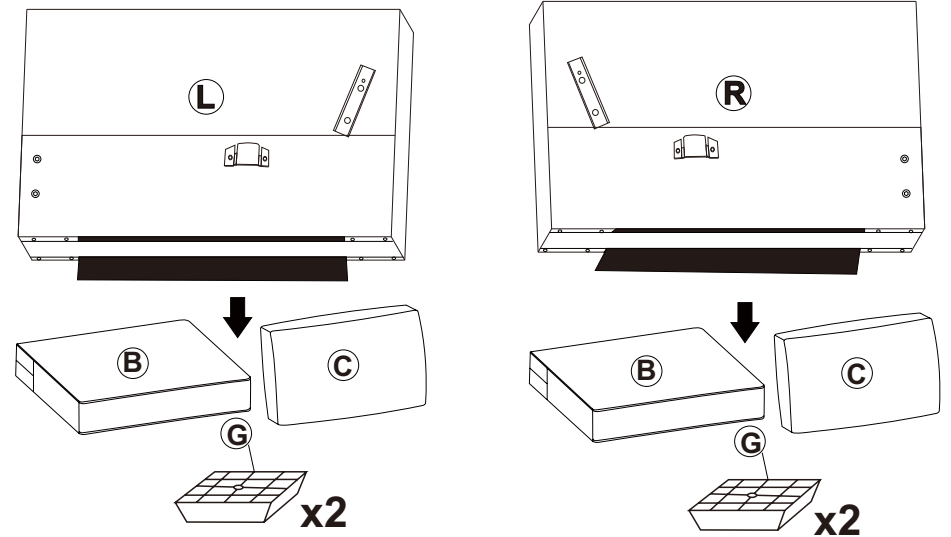
### STEP 1



Attention! Back cushions are stored inside the armrests, please remove screws and take off the wood board.

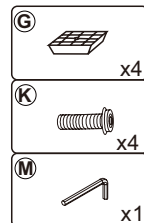
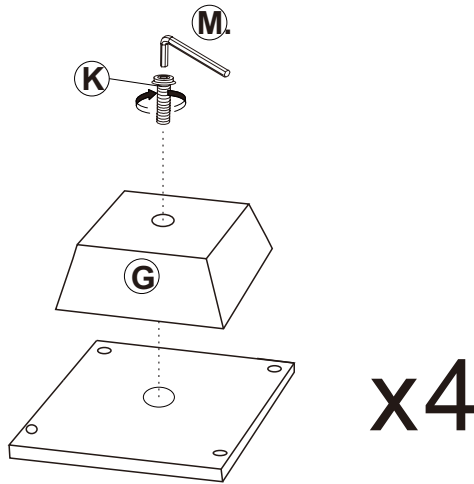


### STEP 2

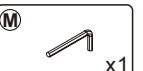
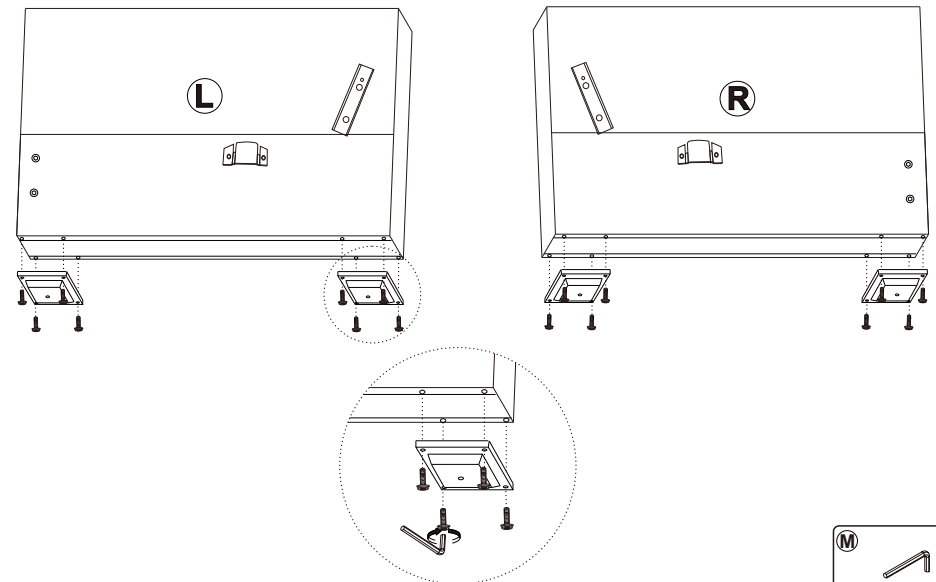


Take B、C and G out of the bottom of L and R

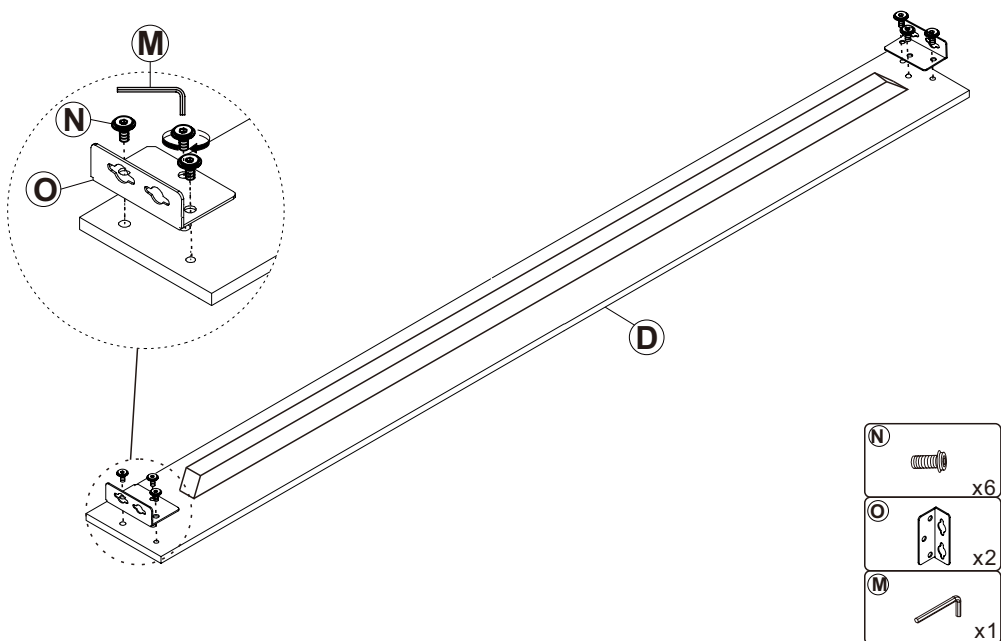
### STEP 3



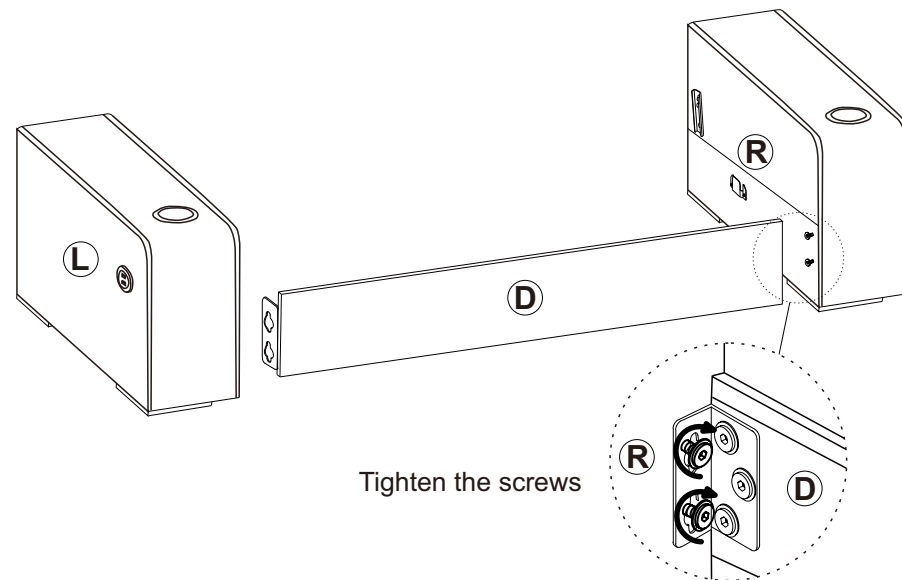
### STEP 4



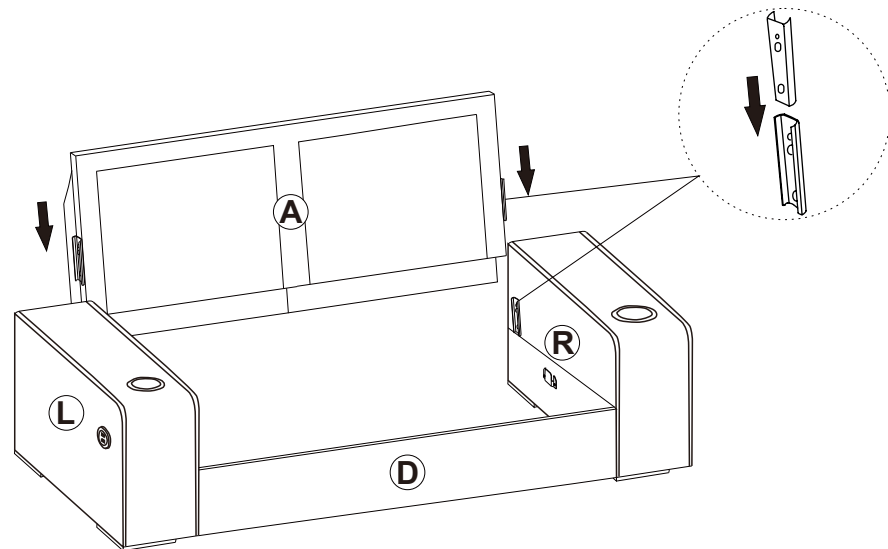
### STEP 5



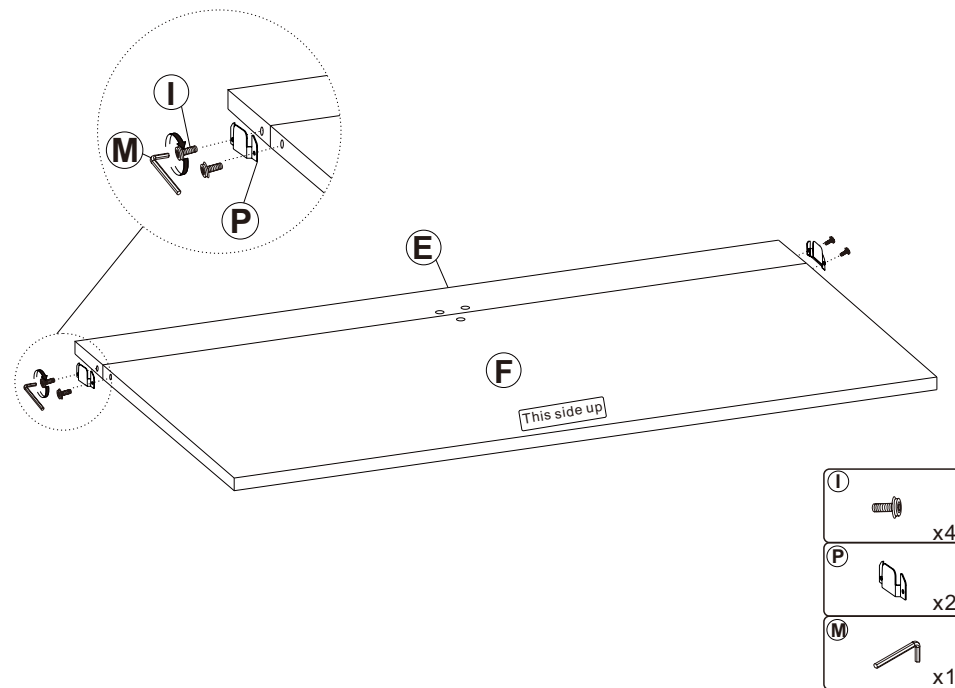
### STEP 6



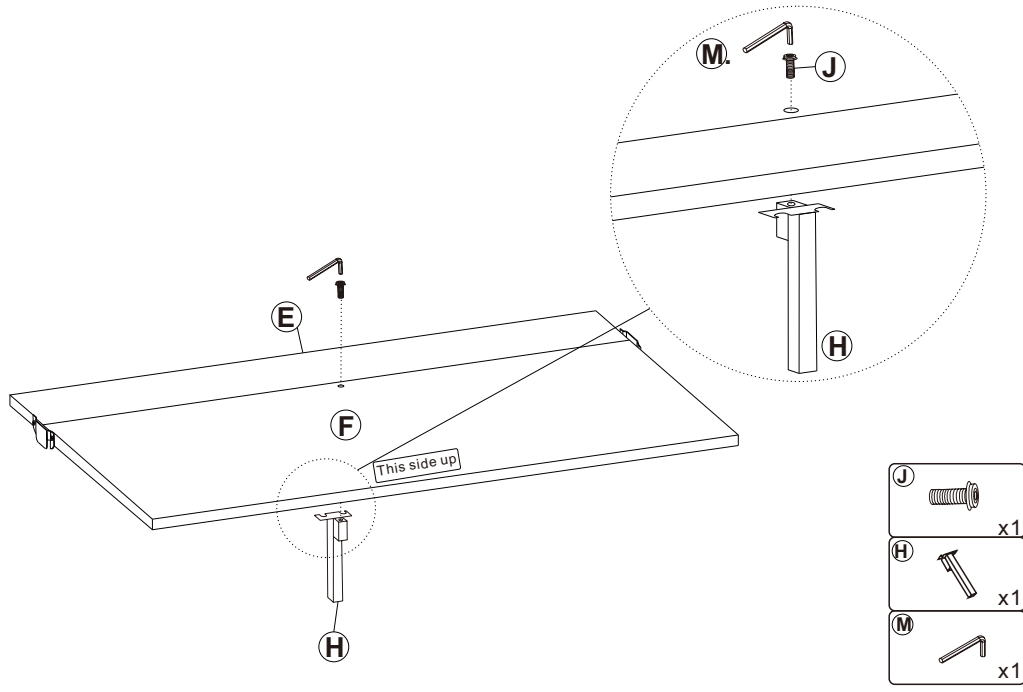
### STEP 7



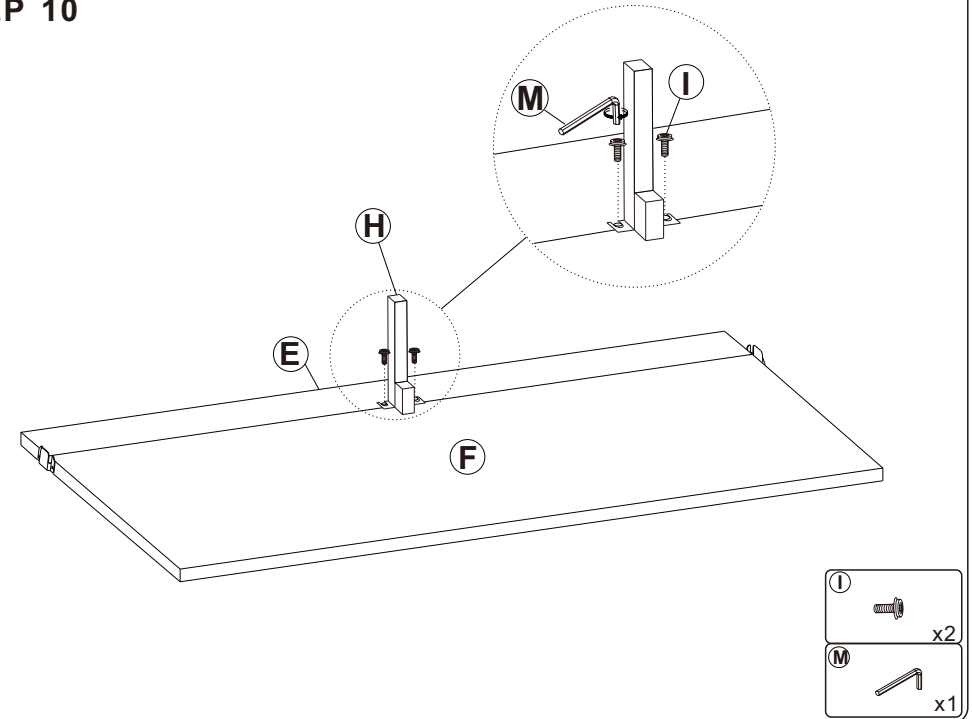
### STEP 8



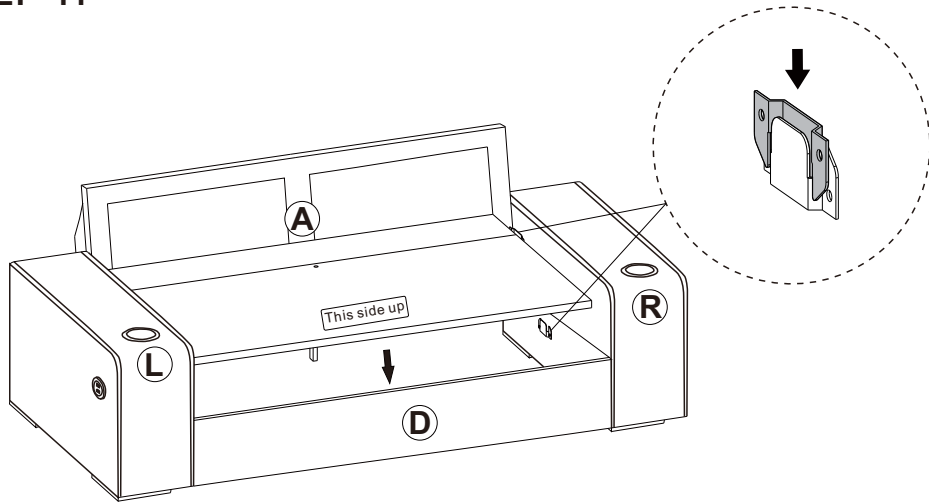
### STEP 9



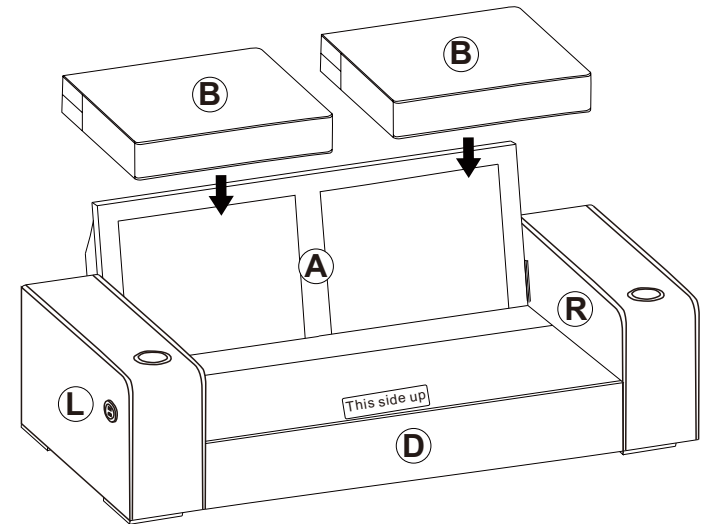
### STEP 10



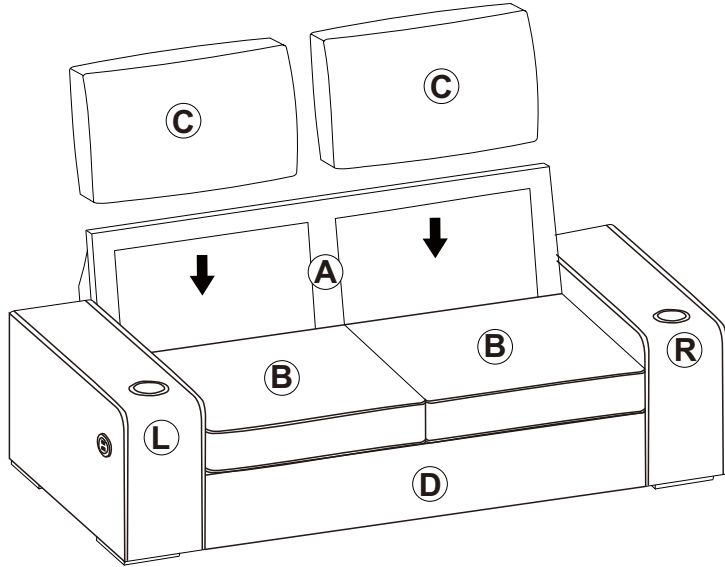
### STEP 11



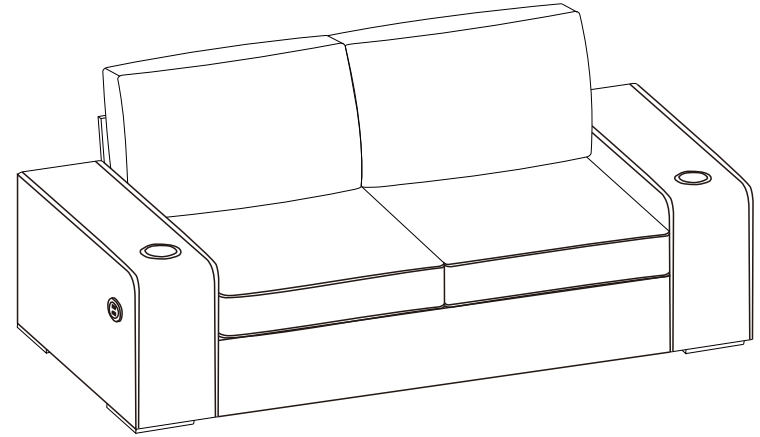
### STEP 12



**STEP 13**



**STEP 14**



**STEP 15**

