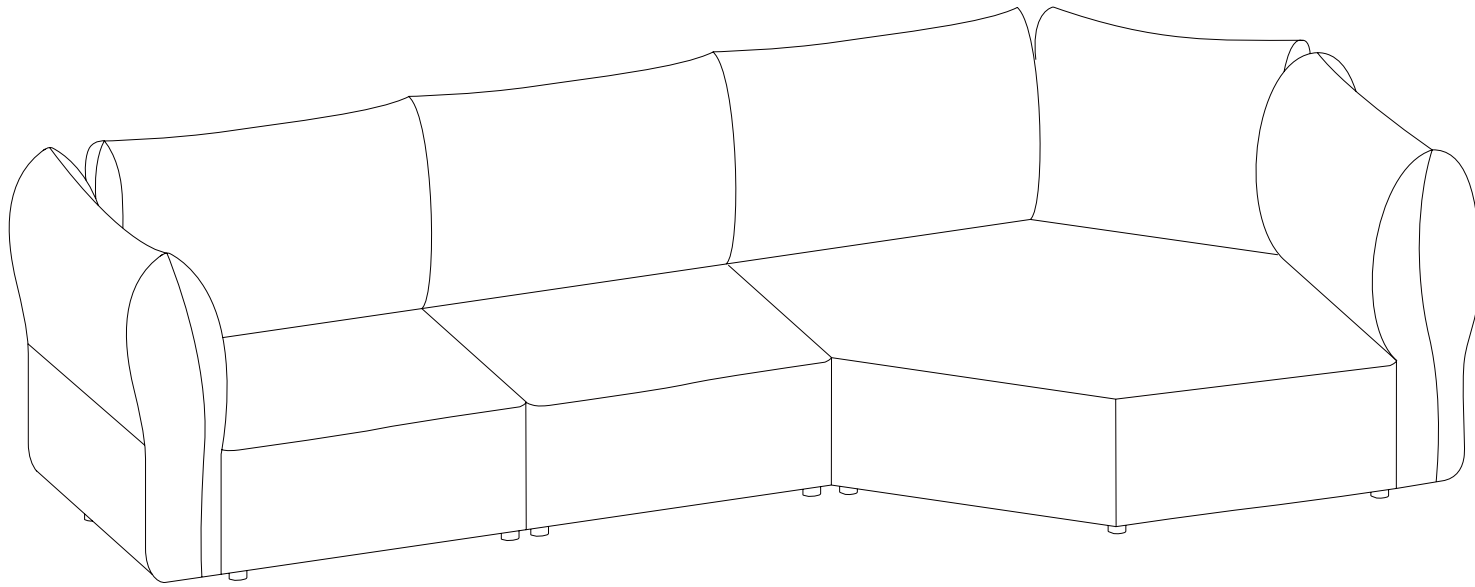


CONTEMPORARY SOFA

Assembly Instruction



NOTE:

Delivered with TWO PACKAGES with TWO TRACKINGS, may NOT be delivered at the same time.

Any question please feel free to contact us:
support@merluxyhome.com TEL:901-347-2181
We will be of further assistance within 24 hours.



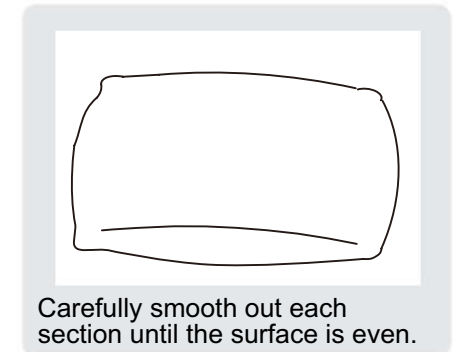
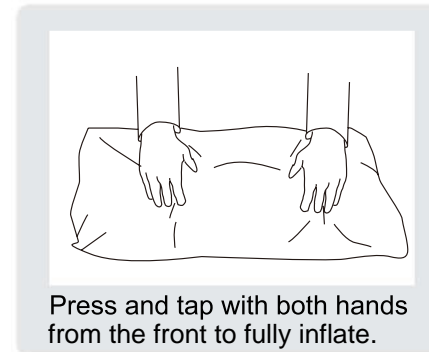
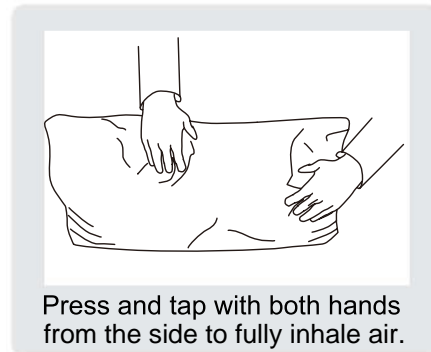
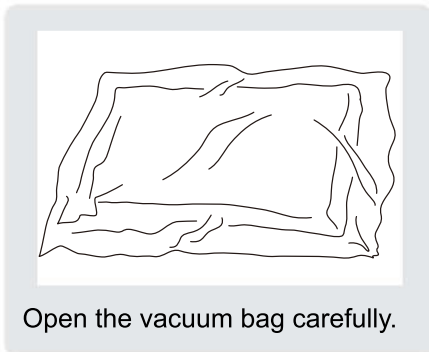
Safety and Care Advice

Important – Please read these instructions fully before starting assembly

Thanks for your purchase. Before assembling, please follow the instructions to check if all the spare parts and screws are intact.

- Considering the size and weight of the sofa, we recommend two adults to assemble the sofa, on a carpeted or padded area, in the room that it is intended for. Approximate assembly time: 30 minutes.
- Keep all components and packaging out of reach of children or animals to avoid the risk of choking or suffocation.
- Please do not throw away any of the packaging or the instruction until you have checked all the components and hardware and the furniture is fully assembled. Please ensure that the packaging is disposed in a safe and environmentally friendly way.
- Please do not take off the cover, and do not wash.

Your cushions come vacuum packed and sealed for shipping. To restore the cushion's original shape, follow the steps below.



After packing up, place them somewhere dry and ventilated. After about 72-96 hours, it can be restored to the best-use condition.

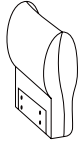
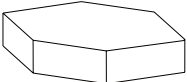
Seller's Notice:

Our product is packed in separate boxes as shown below, and they might be shipped in different batches. Please wait until you received all the boxes then start the assembly.

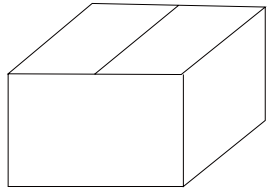
Noted: Assembly instruction is only provided in Box1.









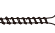


The following is the list of components contained in these boxes.

Main structure accessories


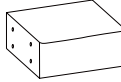
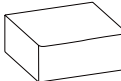
A		Back Frame	x2
D		Corner Seat Frame	x1

BOX1

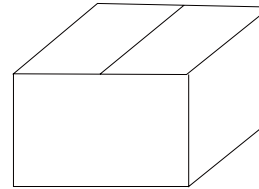






a		Sofa leg	x9
b		Washer	x9
c		M8 Nut	x24
d		M8*60 Bolt	x24
e		M8 Washer	x24
f		M8*22*1.5 Washer	x24
g		Connector	x2
h		Connector	x2
i		Screws	x48
j		Wrench	x1
k		Allen Key	x1

Main structure accessories

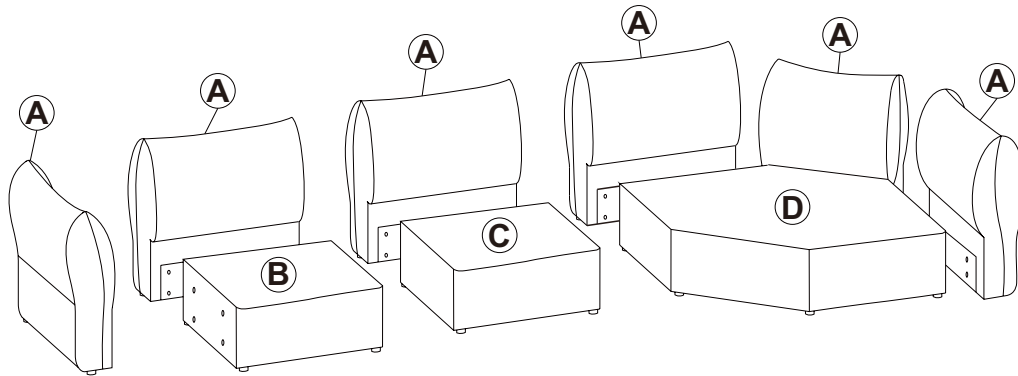
A		Back Frame	x4
B		Side Seat Frame	x1
C		One-Seat Frame	x1

BOX2




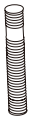


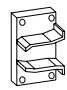
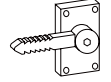





a		Sofa leg	x11
b		Washer	x11
g		Connector	x4
h		Connector	x4


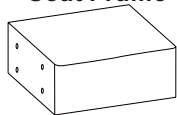
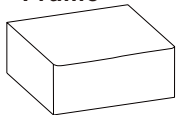
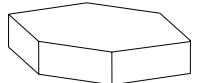
SOFA



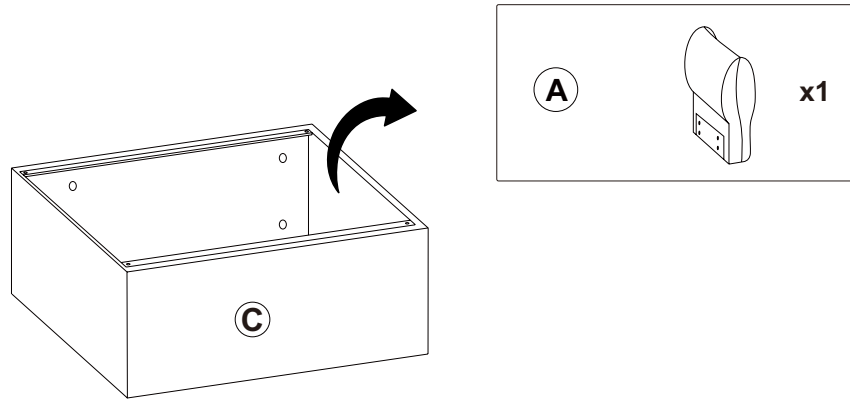
Hardware Parts

a Sofa leg  x20	b Washer  x20	c Nut  M8 x24	d Bolt  M8*60 x24
e Washer  M8 x24	f Washer  M8*22*1.5 x24	g Connector  x6	h Connector  x6
i Screw  x48	j Wrench  x1	k Allen Key  x1	

Main Structure Accessories

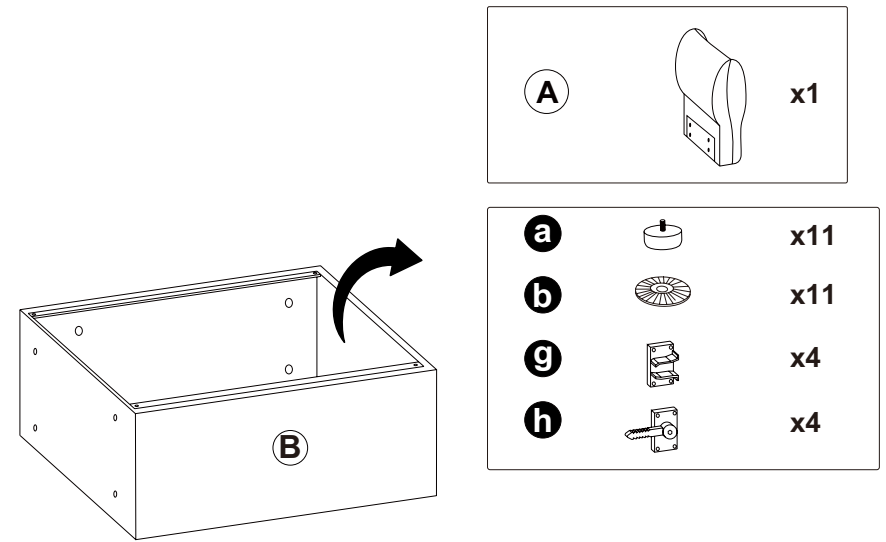
A Back Frame  x6	B Side Seat Frame  x1	C One-Seat Frame  x1	D Corner Seat Frame  x1
--	---	--	---

STEP 1



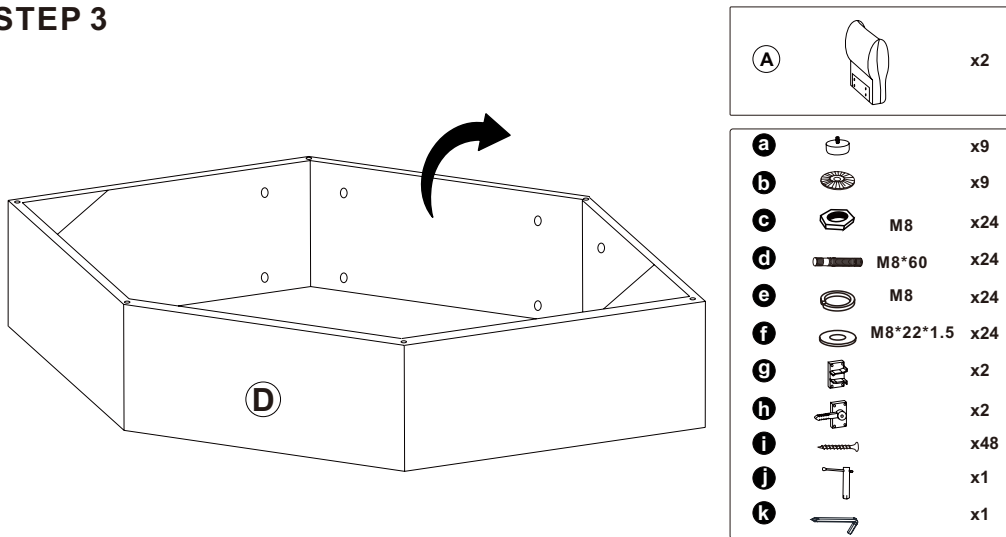
Take out of all the accessories from the bottom of C.

STEP 2



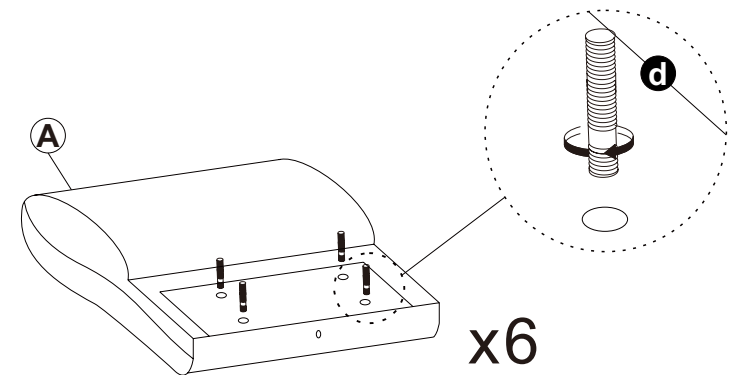
Take out of all the accessories from the bottom of B.

STEP 3



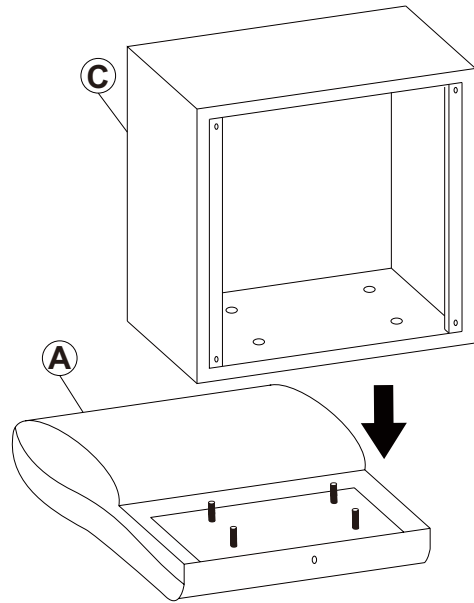
Take out of all the accessories from the bottom of D.

STEP 4

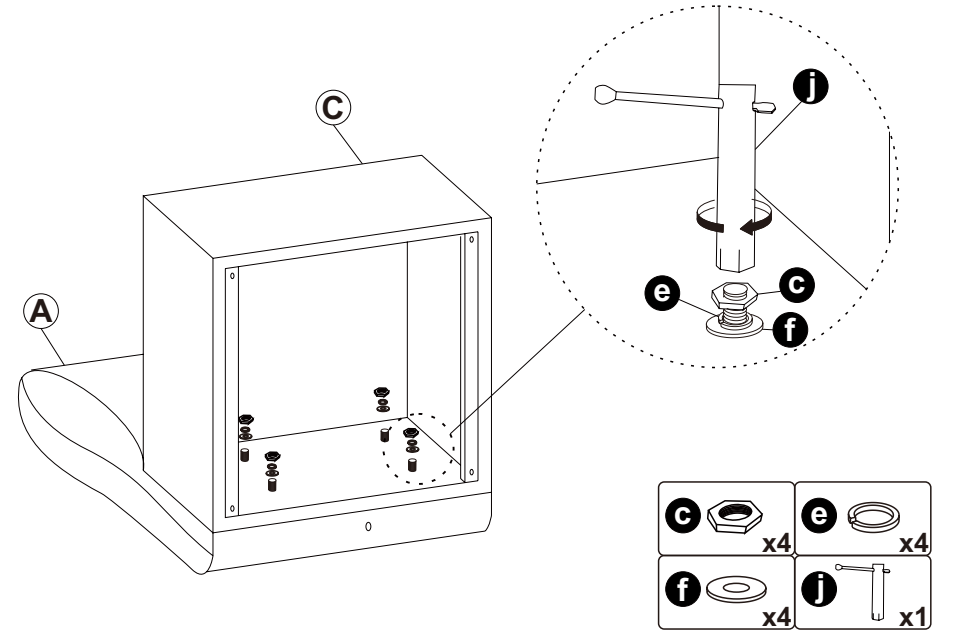


d x24

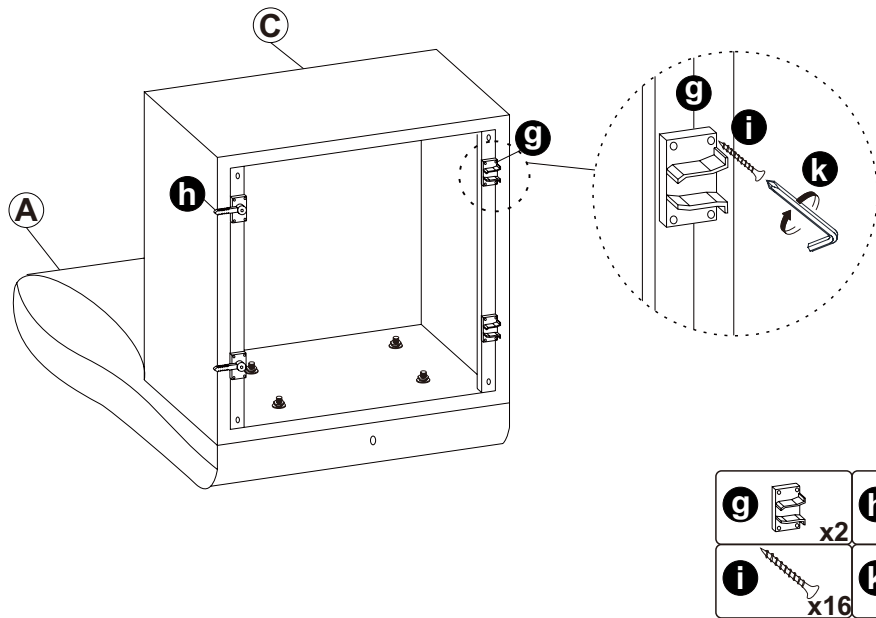
STEP 5



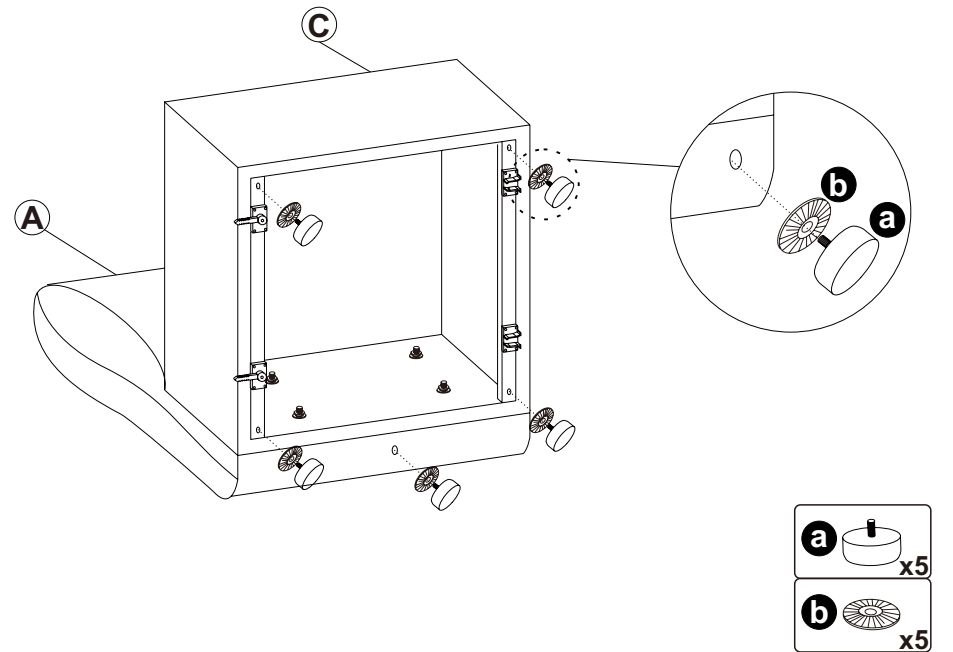
STEP 6



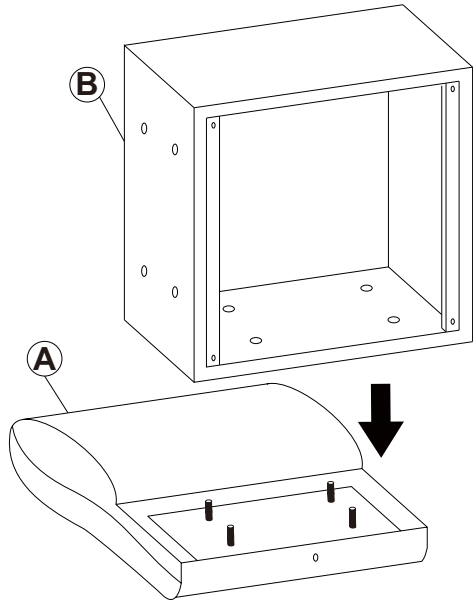
STEP 7



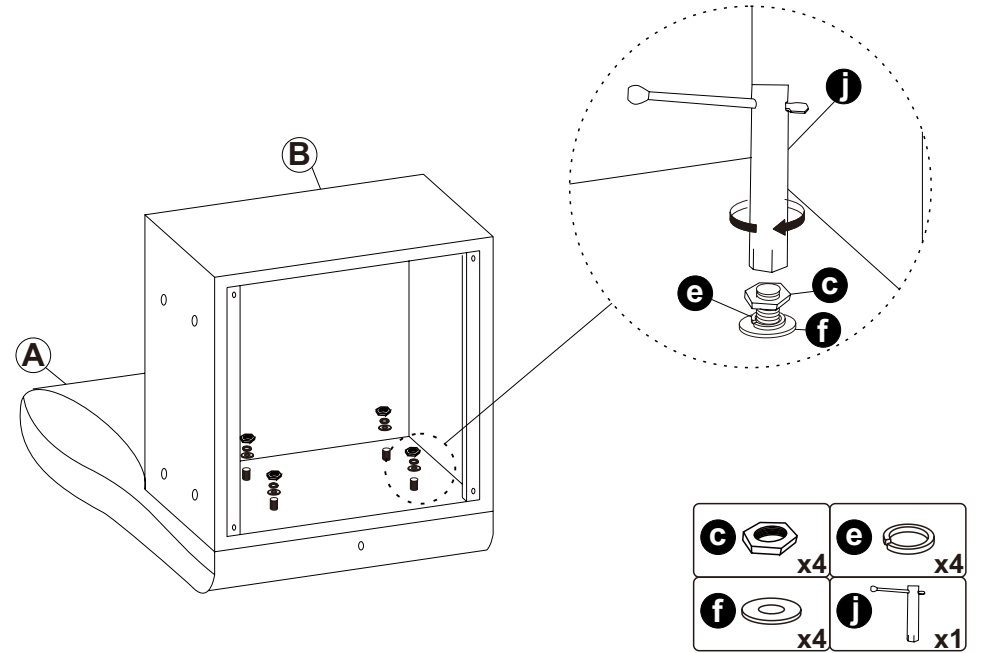
STEP 8



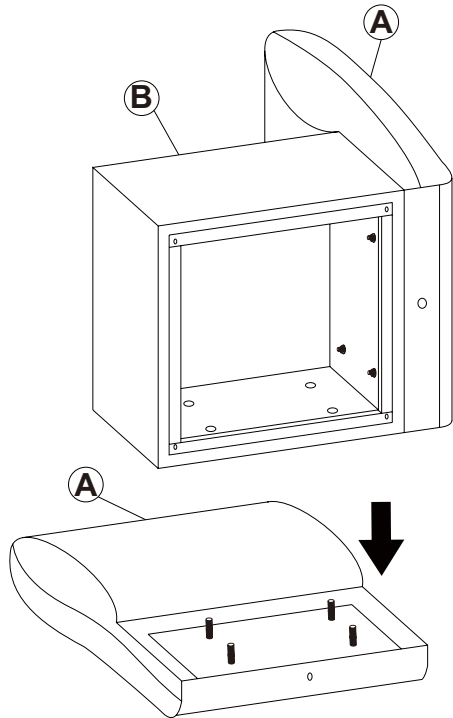
STEP 9



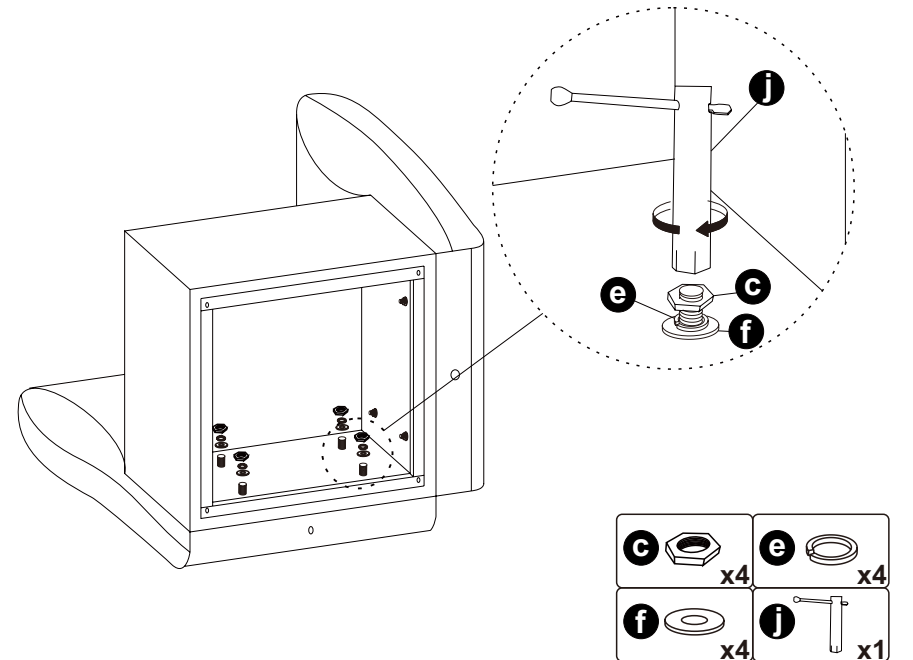
STEP 10



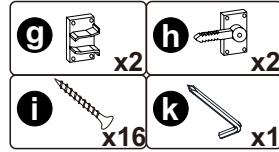
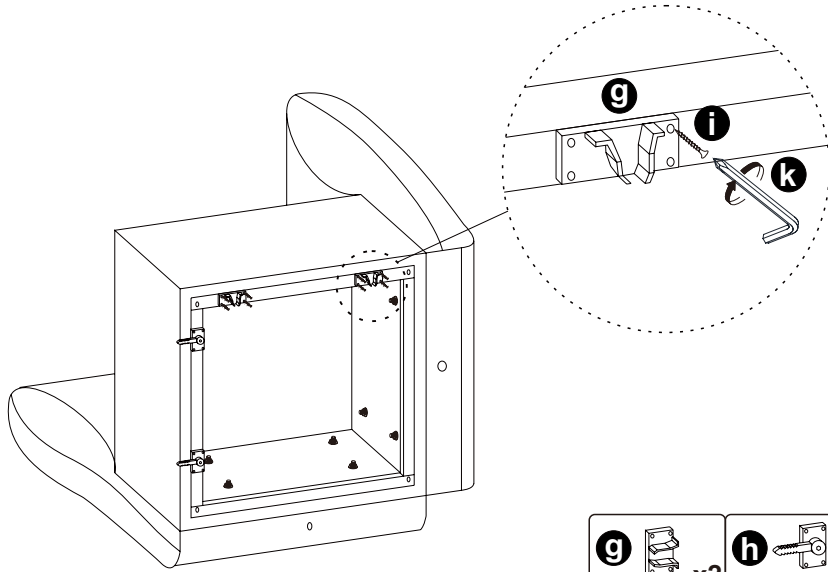
STEP 11



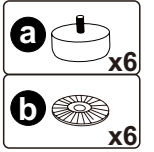
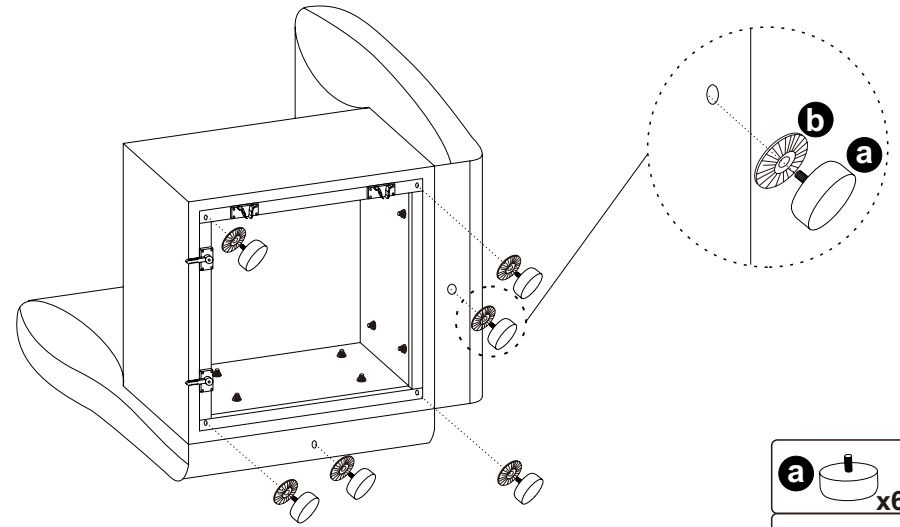
STEP 12



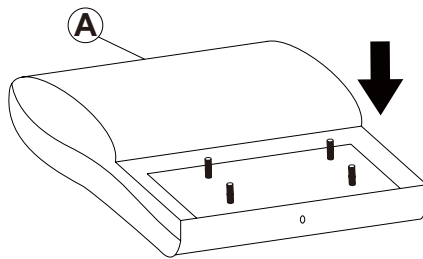
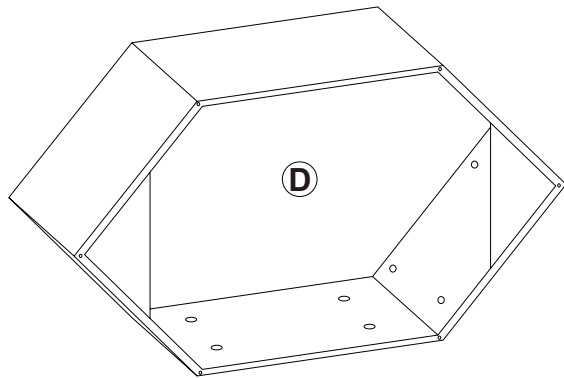
STEP 13



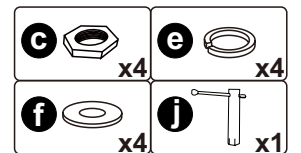
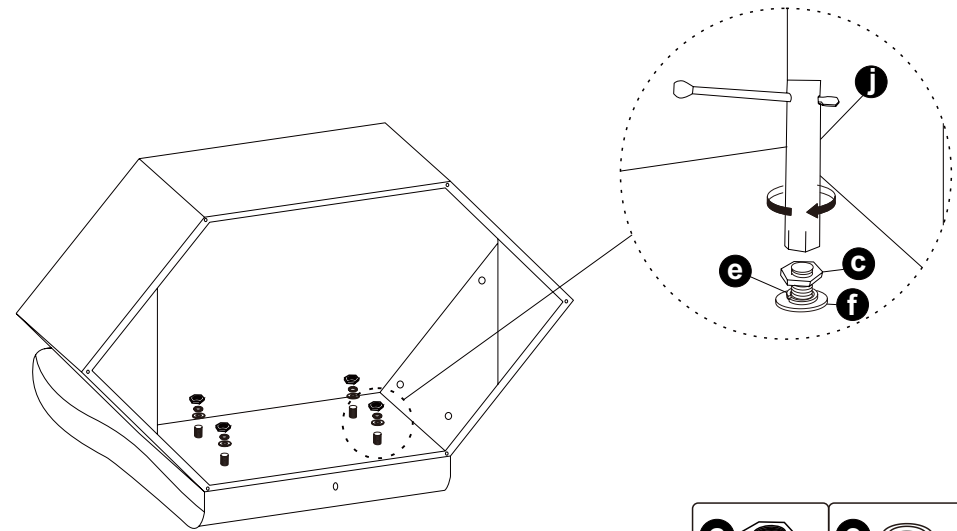
STEP 14



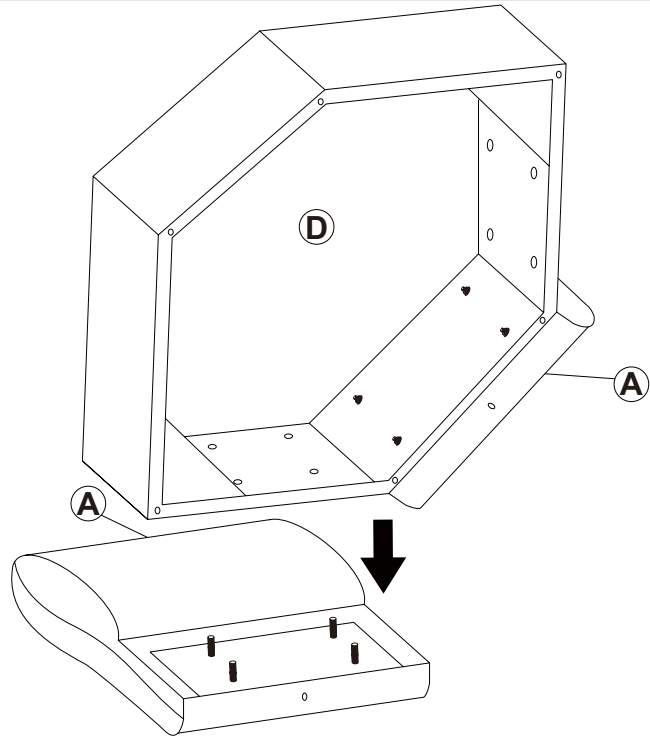
STEP 15



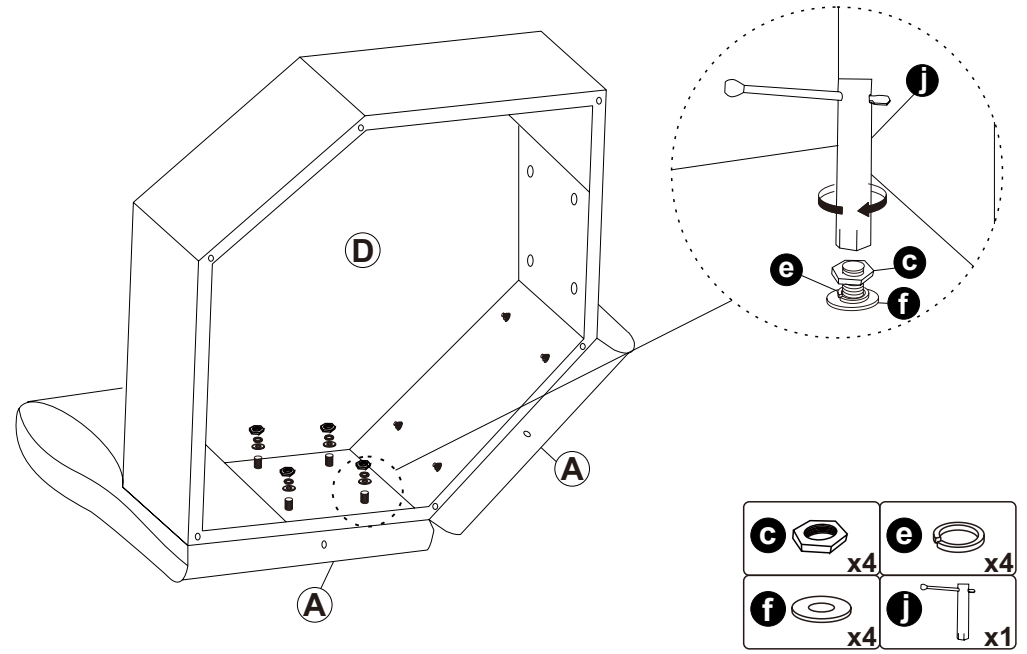
STEP 16



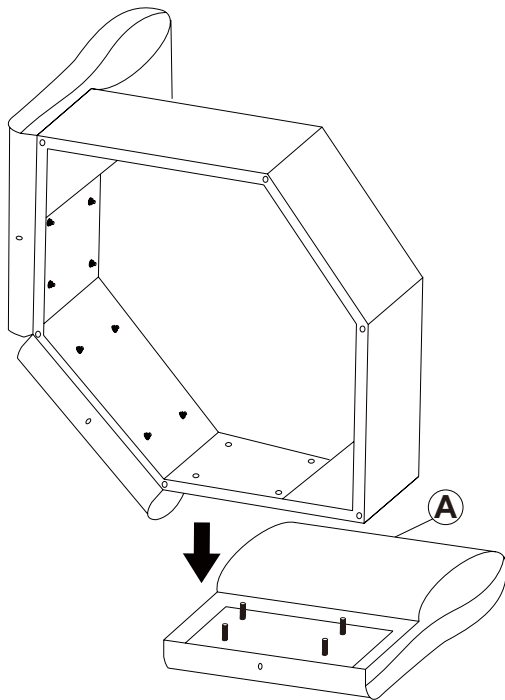
STEP 17



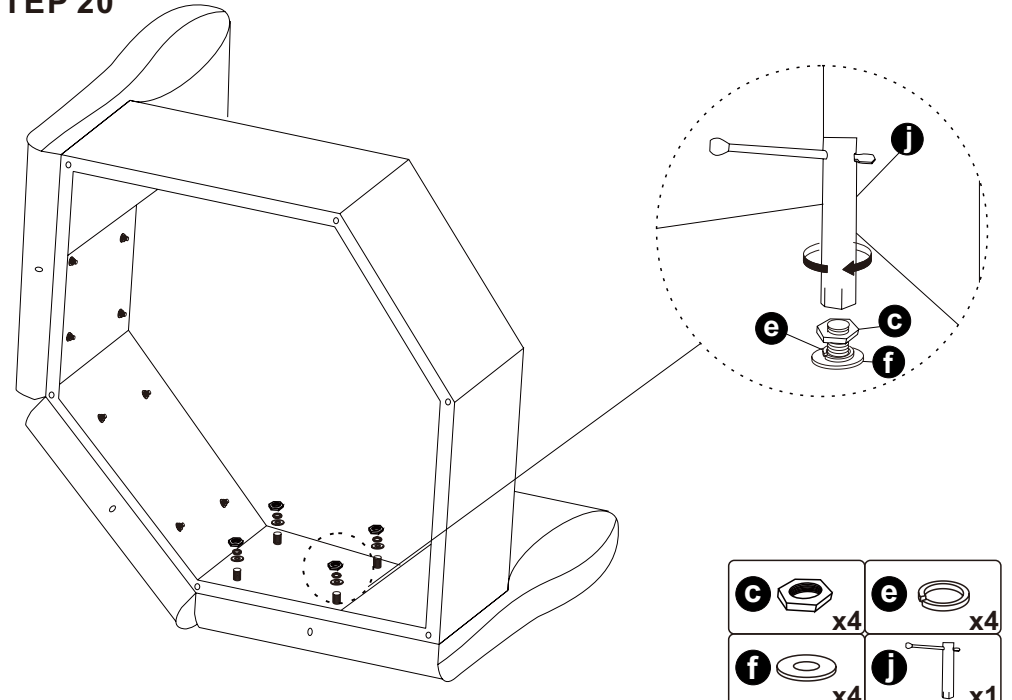
STEP 18



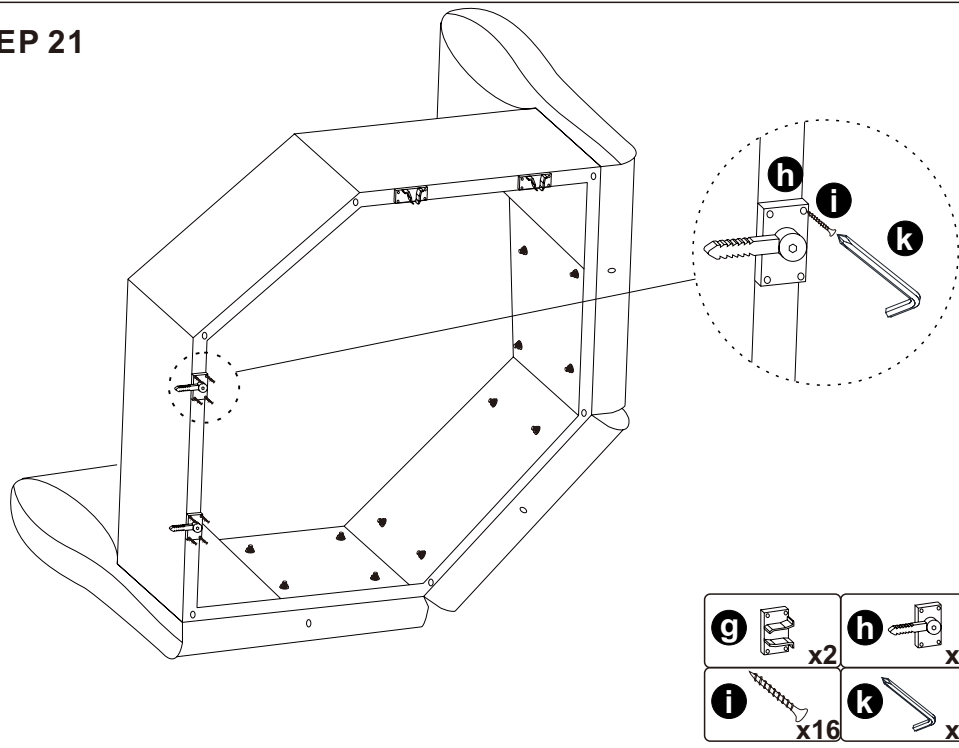
STEP 19



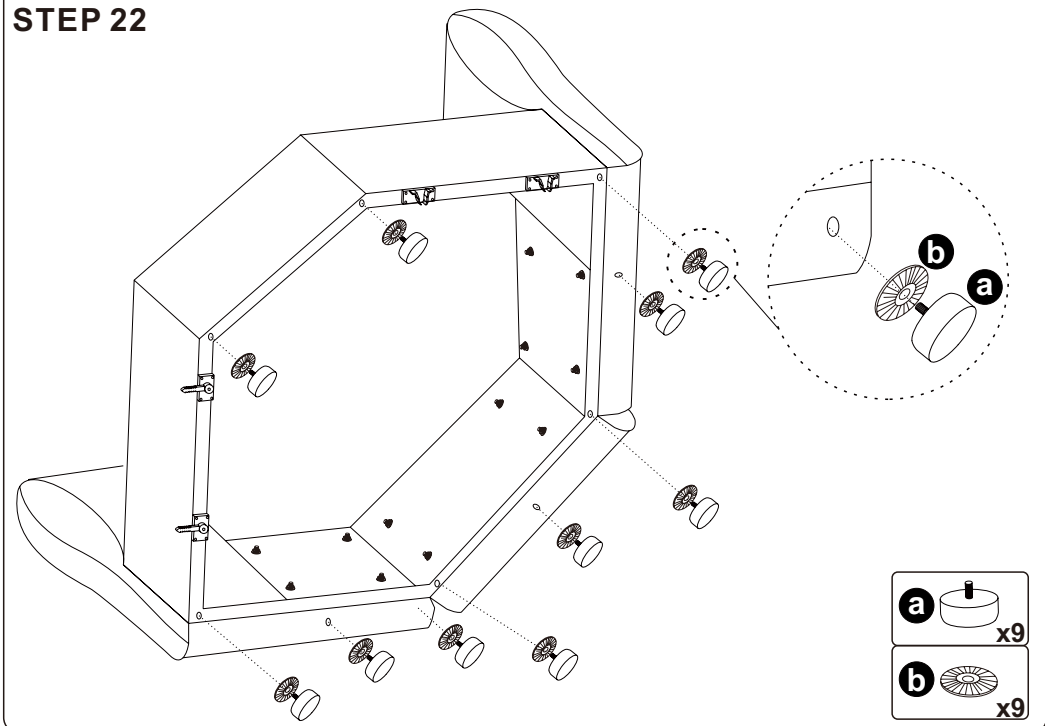
STEP 20



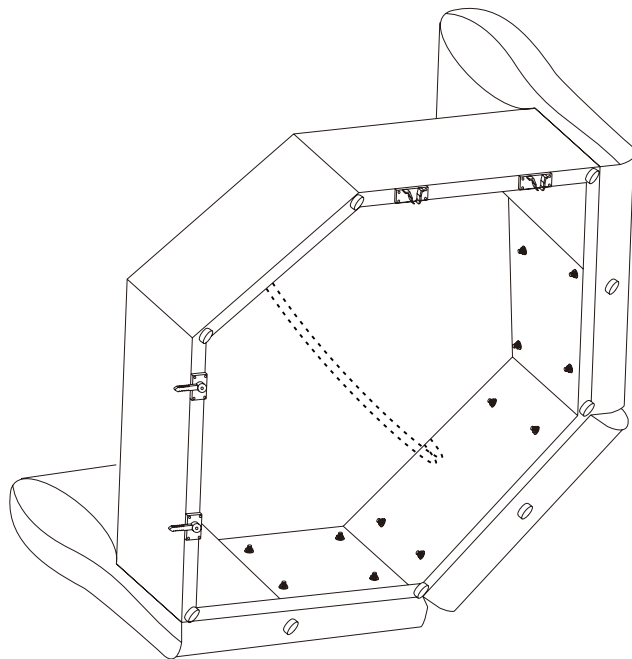
STEP 21



STEP 22

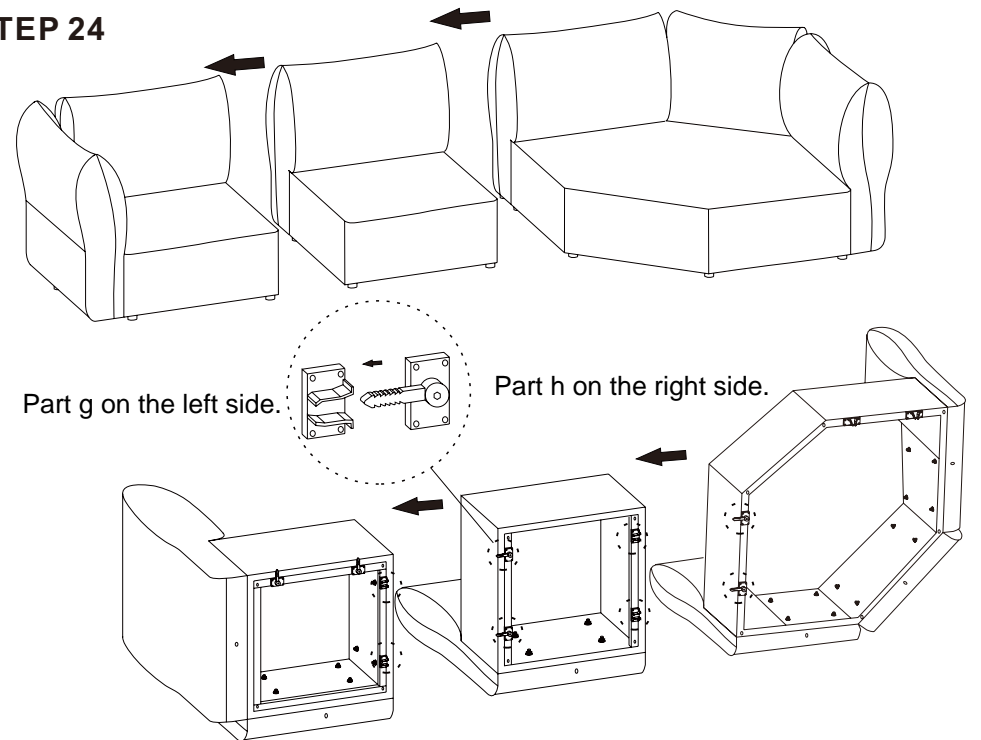


STEP 23

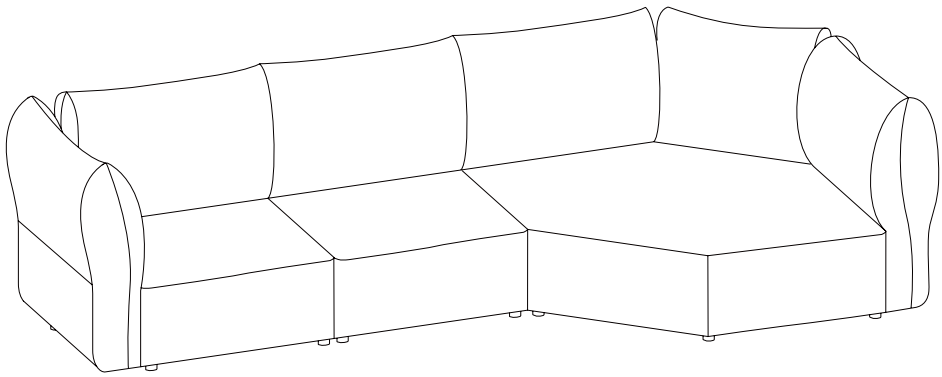


The Iron Pipe should be rotated (as shown on the image).

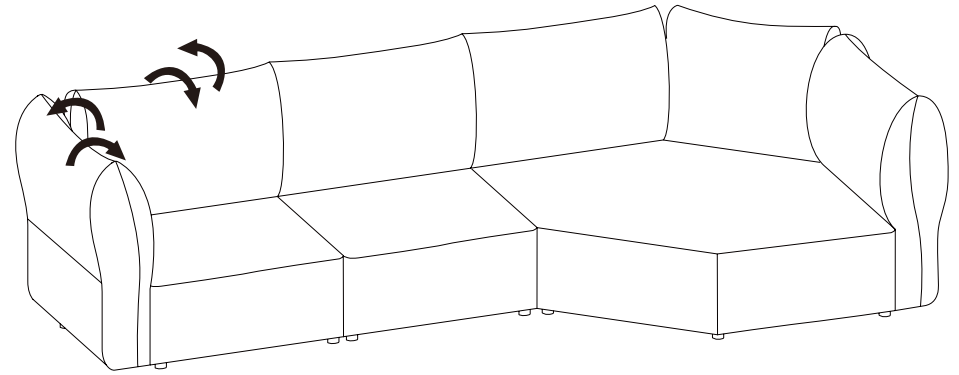
STEP 24



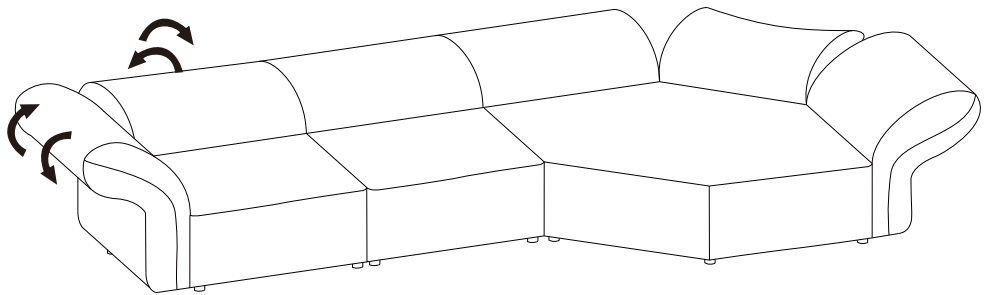
STEP 25



STEP 26

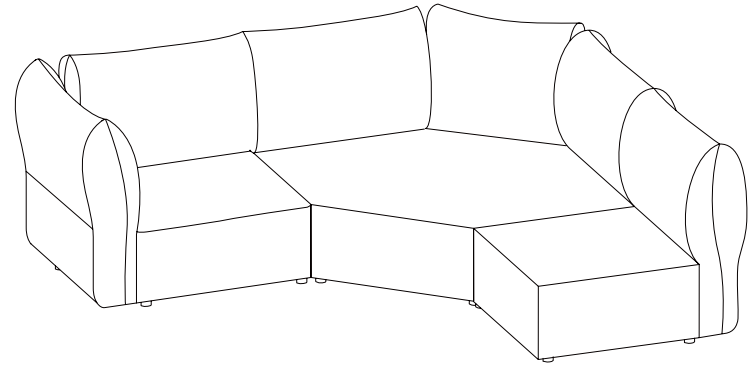
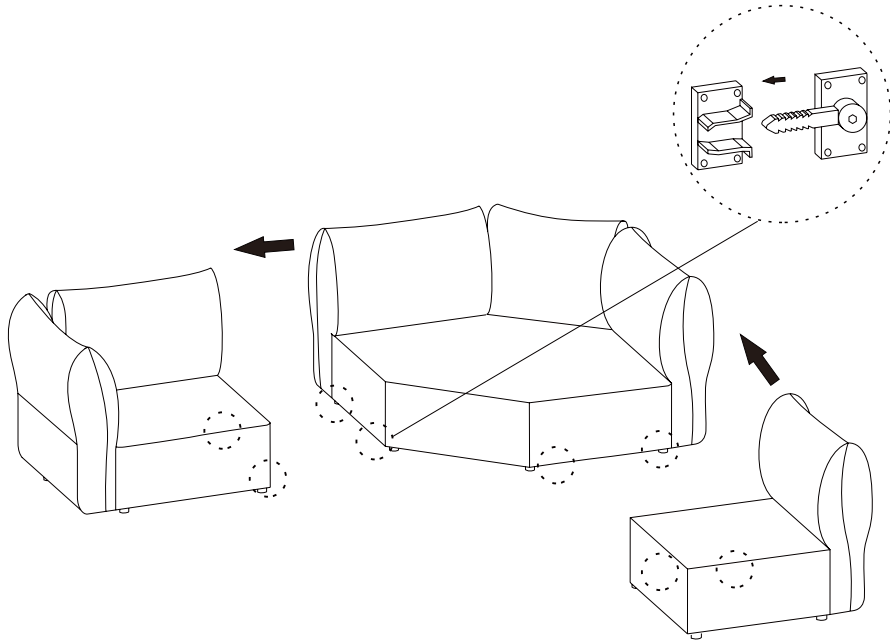


STEP 27

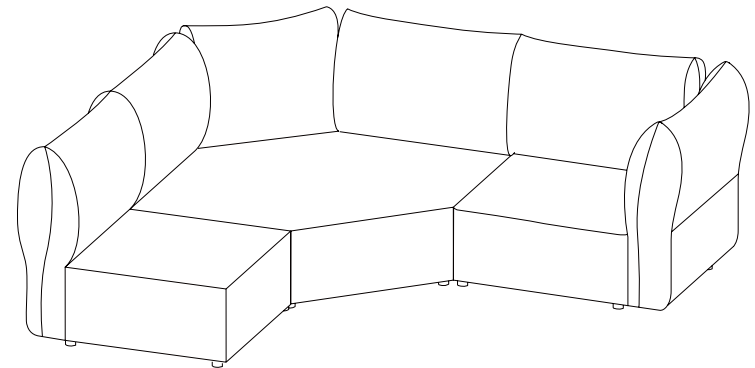
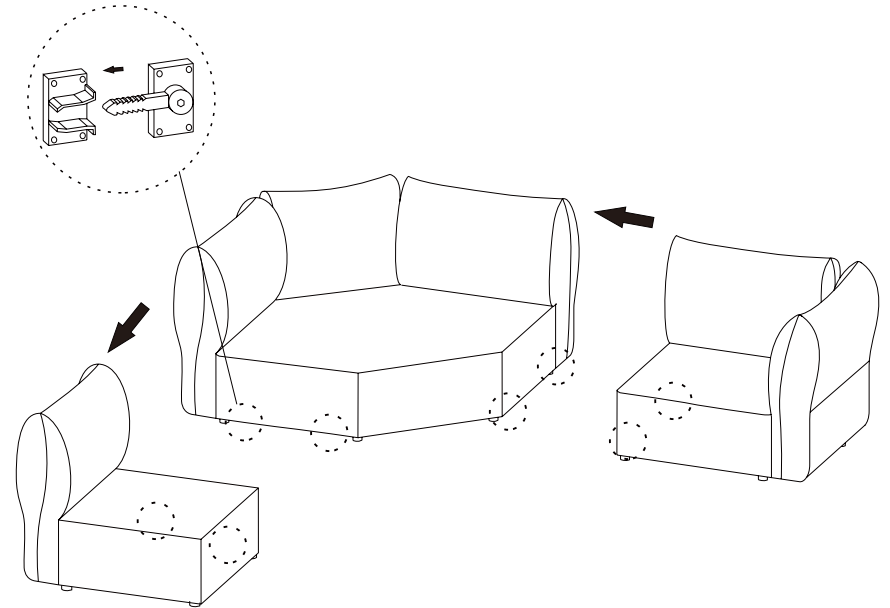


More Combinations

1.



2.



3.

