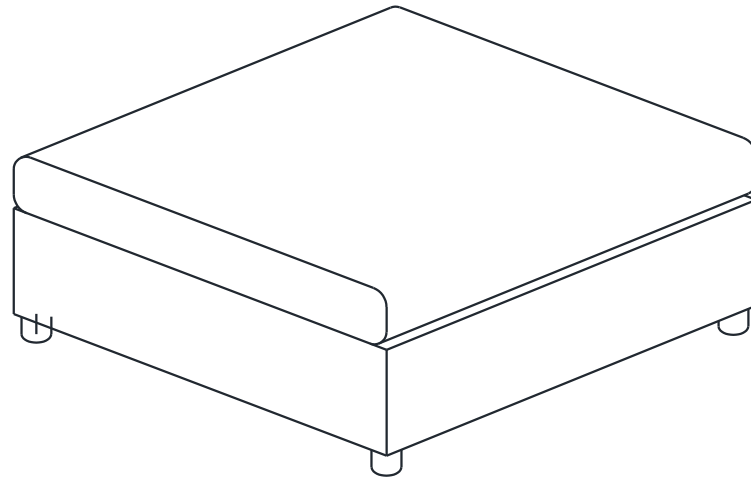


DOWN FILLED SECTIONAL -OTTOMAN



Any question please feel free to contact us:
support@merluxyhome.com TEL:901-347-2181
We will provide further assistance within 24 hours.

Dear customers,

Thank you for purchasing our product. Please read this instruction manual carefully after receiving this product. It will help you assemble this product quickly, safely and correctly. You can keep this manual for future reference.



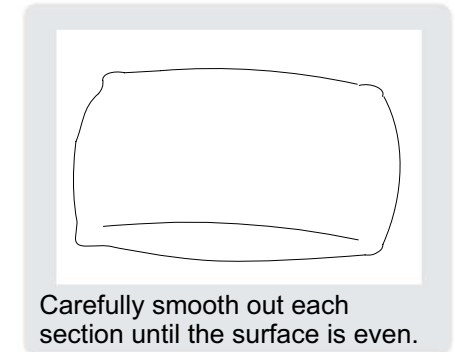
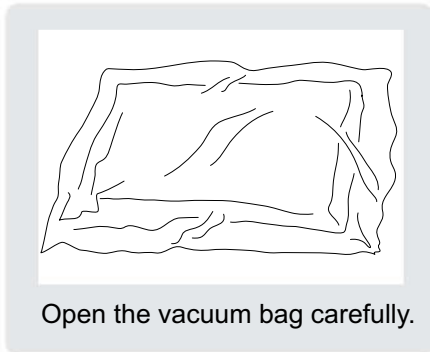
Safety and Care Advice

Important - Please read these instructions fully before starting assembly

Thanks for your purchase. Before the assembly, please follow the instructions to check if all the spare parts and screws are intact.

- Considering the size and weight of the sofa, we recommend two adults to assemble the sofa, on a carpeted or padded area. in the room that it is intended for. Approximate assembly time: 30 minutes
- Keep all components and packaging out of reach of children or animals to avoid the risk of choking or suffocation.
- Please do not throw away any of the packaging or the instruction until you have checked all the components and hardware and the furniture is fully assembled. Please ensure that the packaging is disposed in a safe and environmentally friendly way.
- Please do not take off the cover, and do not wash.






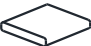


Your cushions come vacuum packed and sealed for shipping. To restore the cushion's original shape, follow the steps below.












After packing up, place them in somewhere dry and ventilated. After about 72-96 hours. It can be restored to the best use condition.

SIDE SEAT

SOFA PART






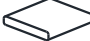

A		Back Frame	x1
B		Seat Frame	x1
C		Side Bezel	x1
D		Armrest	x1
E		Slipcover	x1
F		Seat Cushion	x1
G		Back Cushion	x1
H		Throw Pillow	x1

HARDWARE PART








a		Sofa Leg 5cm	x4
b		Bolt M6*20	x26
c		Connector A	x2
d		Connector B	x2
e		Connector C	x5
f		Allen Key	x1
g		Felt Pad	x4
h		Wrench	x1
i		Washer	x26

MIDDLE SEAT

SOFA PART



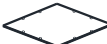


A		Back Frame	x1
B		Seat Frame	x1
C		Side Bezel R	x1
D		Side Bezel L	x1
E		Slipcover	x1
F		Seat Cushion	x1
G		Back Cushion	x1

HARDWARE PART








a		Sofa Leg 5cm	x4
b		Bolt M6*20	x24
c		Connector A	x4
d		Connector B	x4
e		Washer	x24
f		Allen Key	x1
g		Felt Pad	x4

OTTOMAN

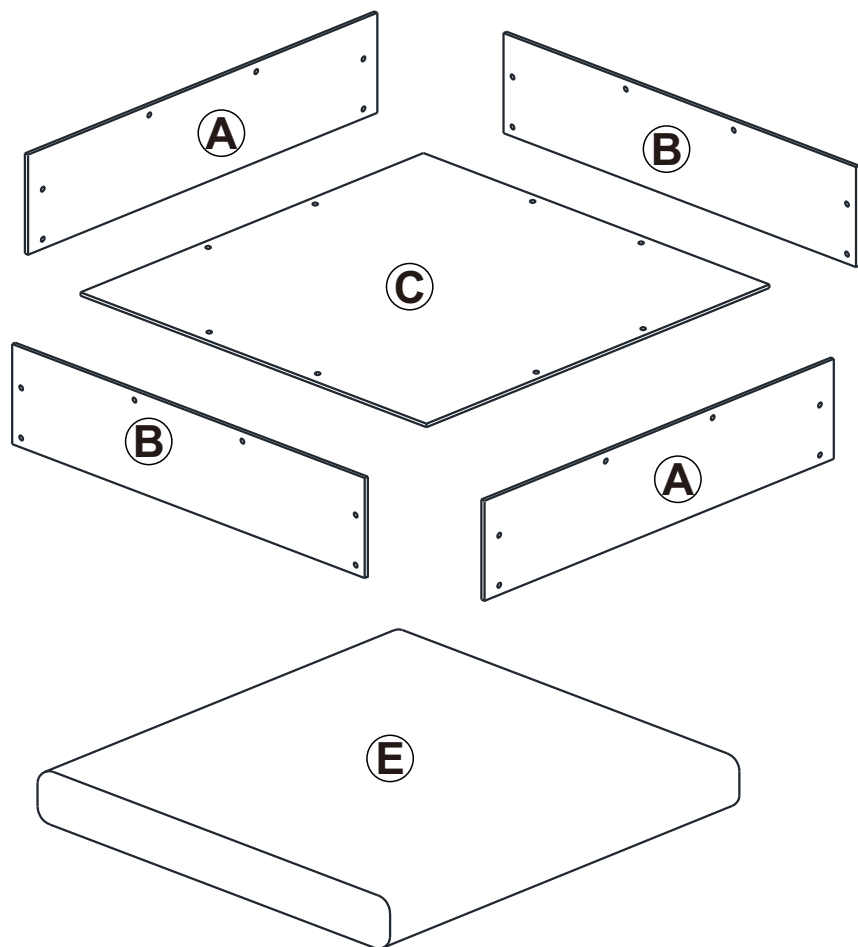
SOFA PART

A		Side Bezel A	x2
B		Side Bezel B	x2
C		Seat Frame	x1
D		Slipcover	x1
E		Seat Cushion	x1

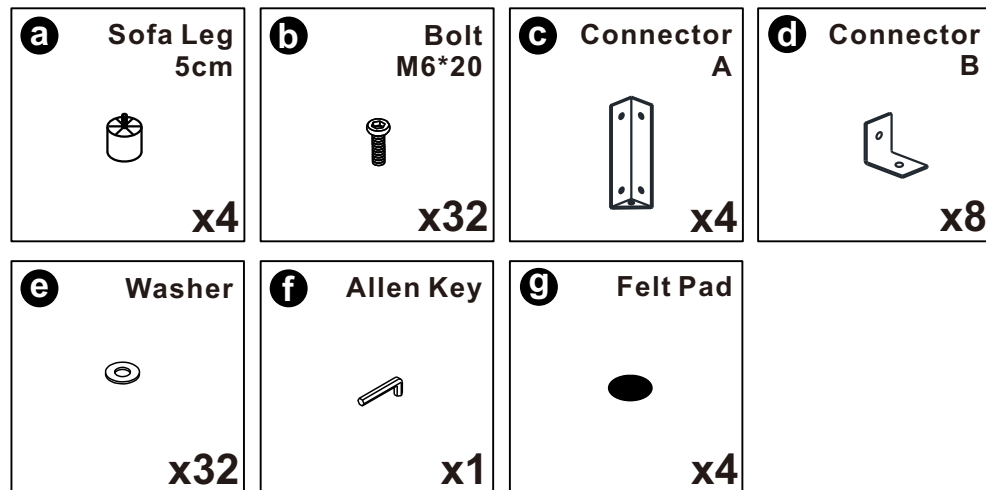
HARDWARE PART

a		Sofa Leg 5cm	x4
b		Bolt M6*20	x32
c		Connector A	x4
d		Connector B	x8
e		Washer	x32
f		Allen Key	x1
g		Felt Pad	x4

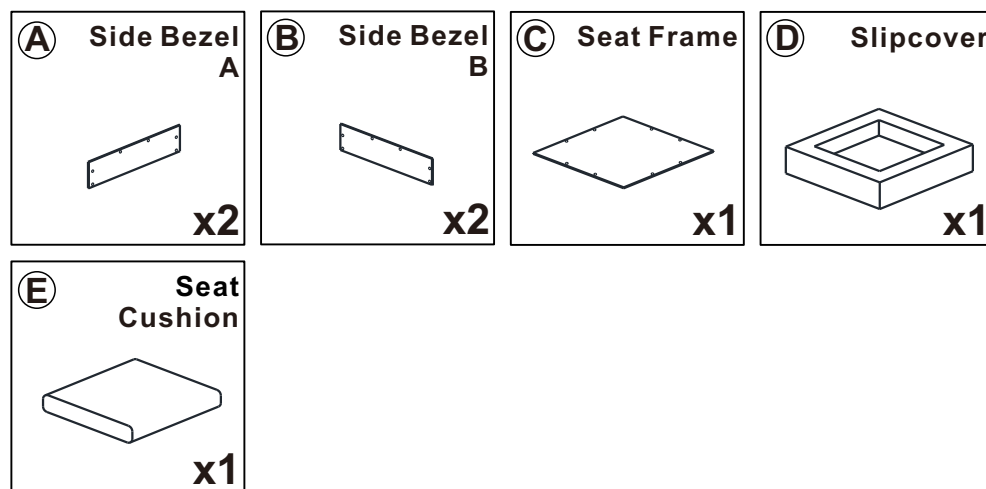
SOFA



Hardware parts

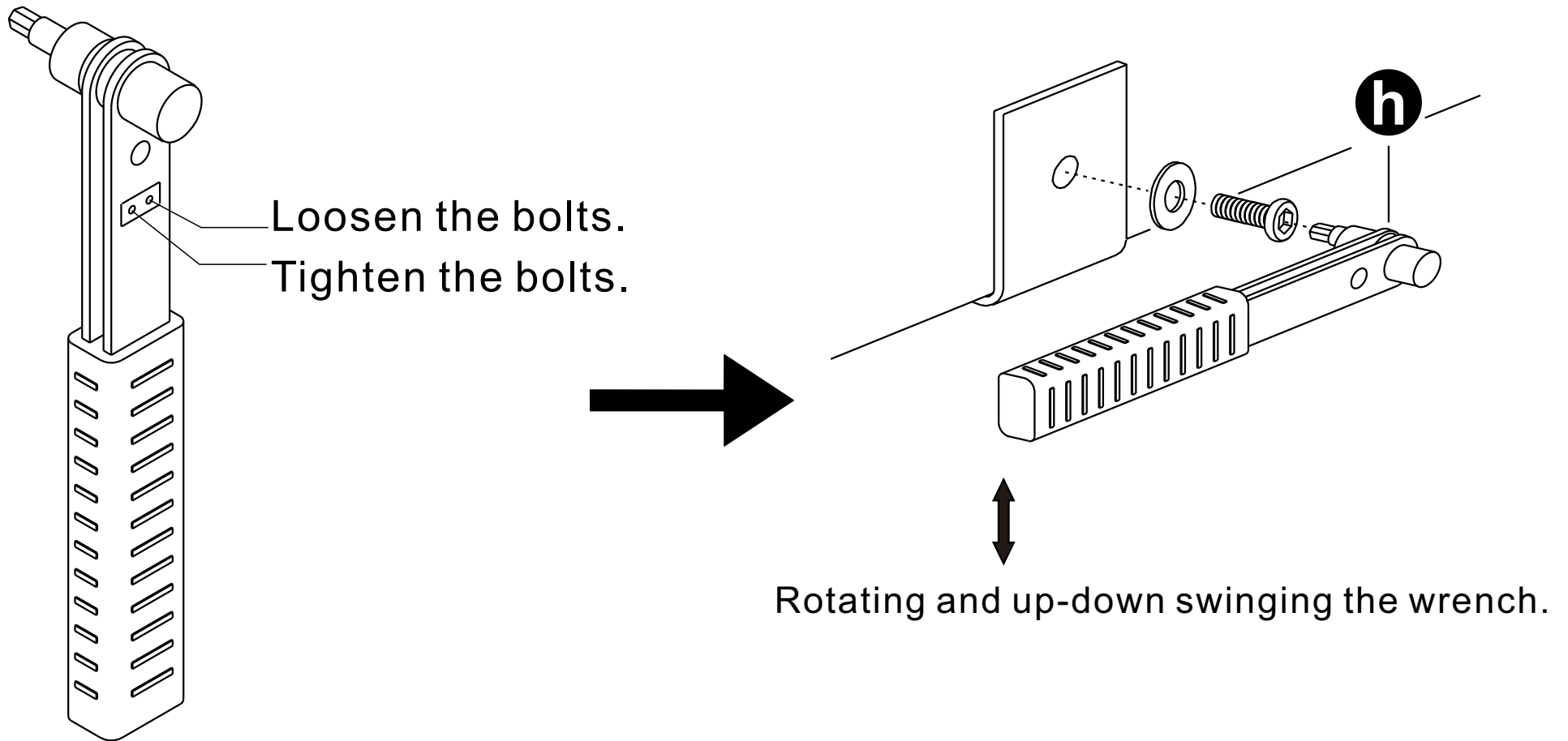


Main structure accessories

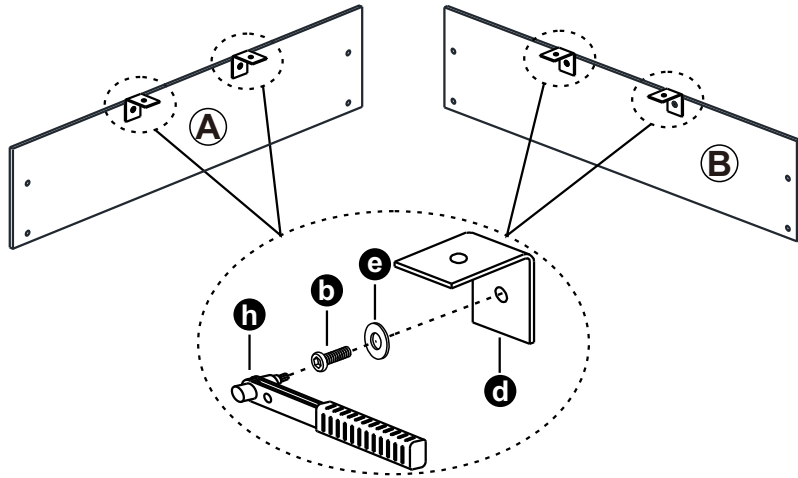


The usage pattern of component h.

(Wrench is packed inside the box of SECTIONAL-SIDE SEAT.)

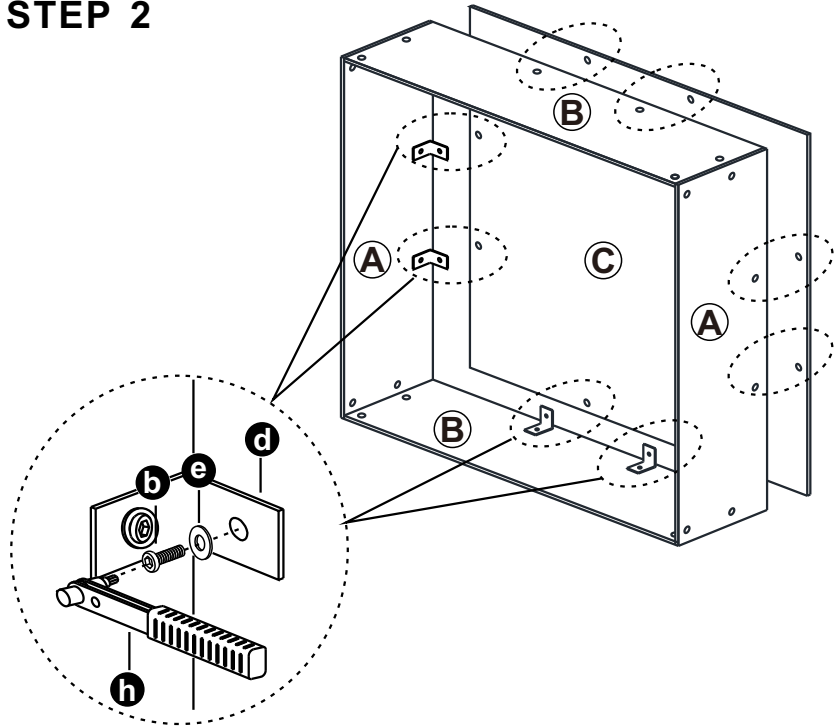


STEP 1



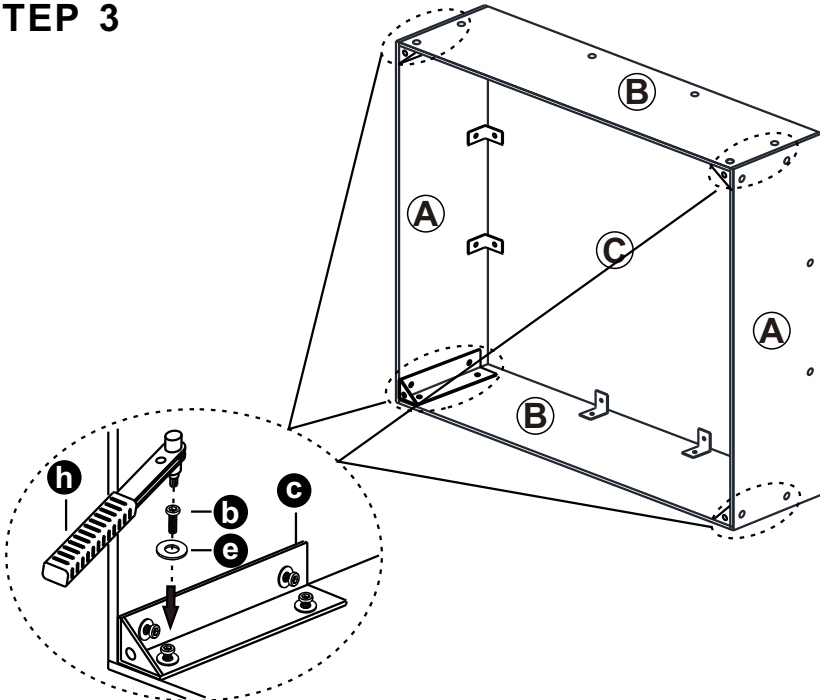
- b** x8
- d** x8
- e** x8
- h** x1

STEP 2



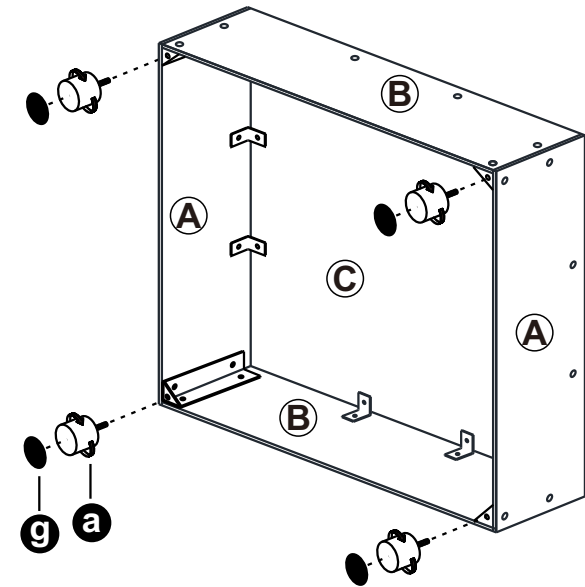
- b** x8
- e** x8
- h** x1

STEP 3



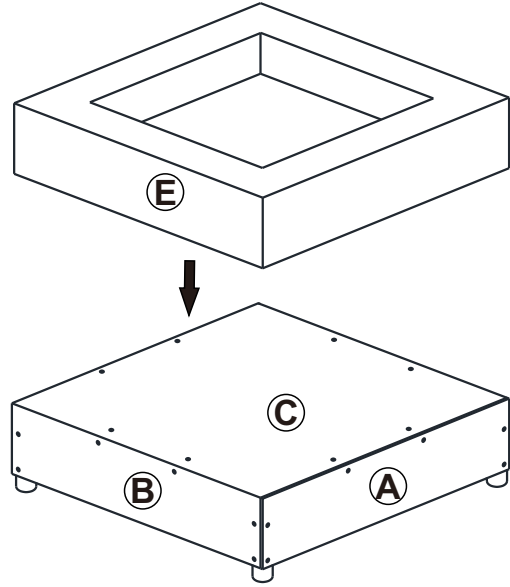
- b** x16
- c** x4
- e** x16
- h** x1

STEP 4



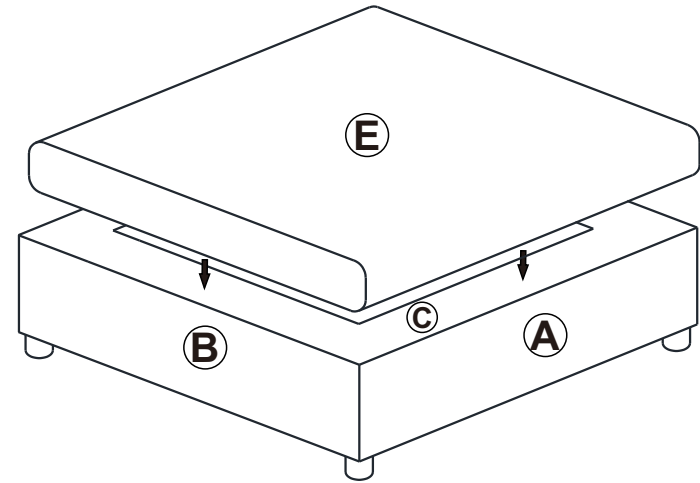
- a** x4
- g** x4

STEP 5

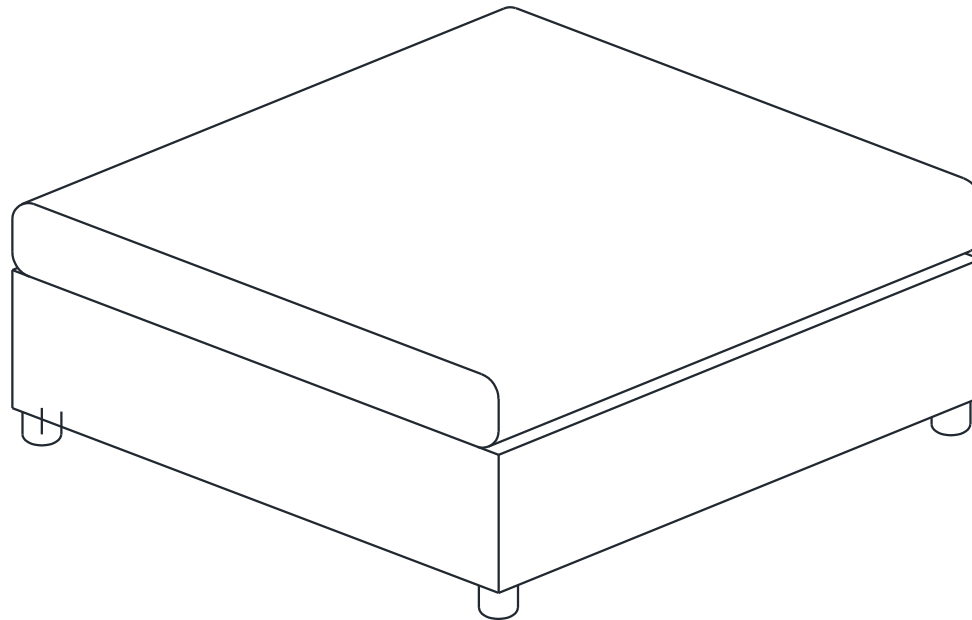


Use E (Slipcover) to cover all the components.

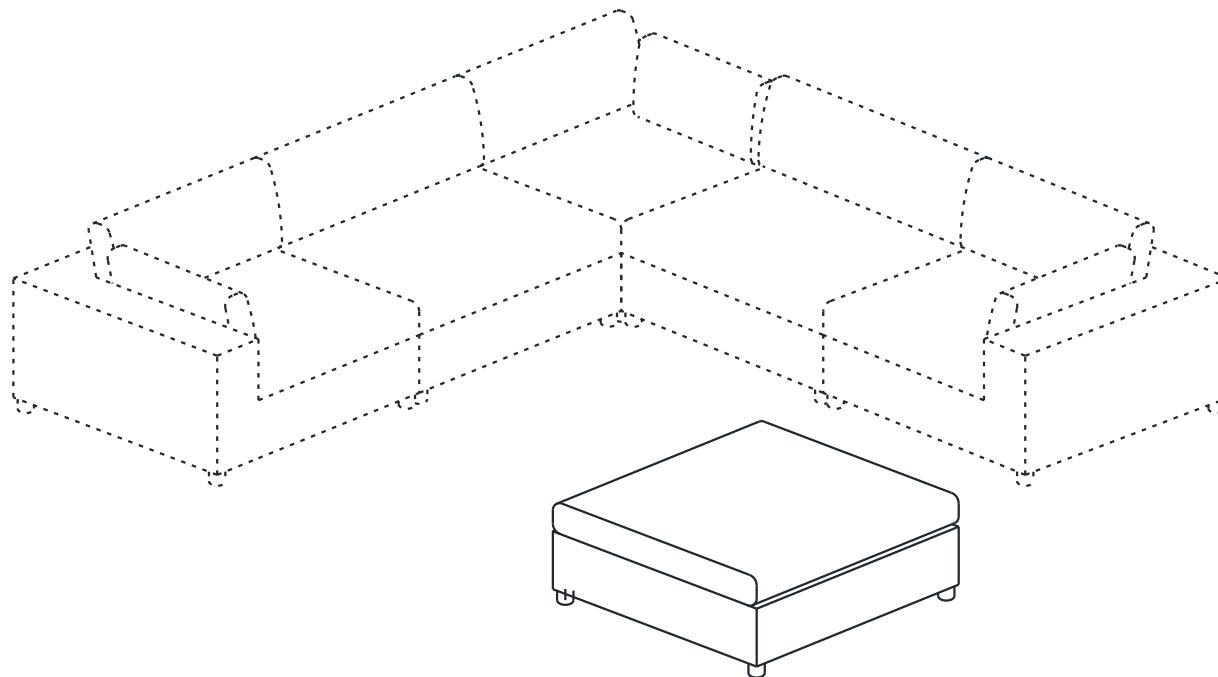
STEP 6



STEP 7



Attention! Additional products need to be purchased before connecting.



Attention! Additional products need to be purchased before connecting.

