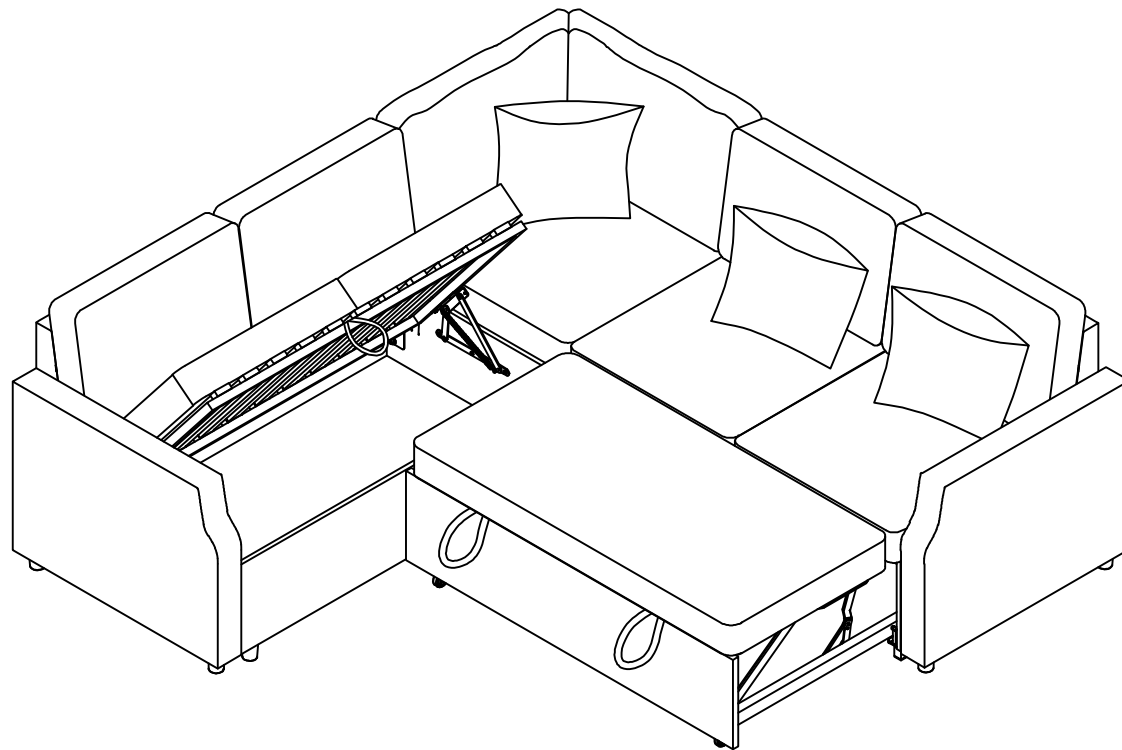


# SOFA

## Assembly Instruction



### NOTE:

The production with THREE PACKAGES,  
come with THREE TRACKINGS ,  
may not be delivered at the same time.

Any question please feel free to contact us:

[support@merluxyhome.com](mailto:support@merluxyhome.com)

TEL:901-347-2181

We will provide further assistance within 24 hours.



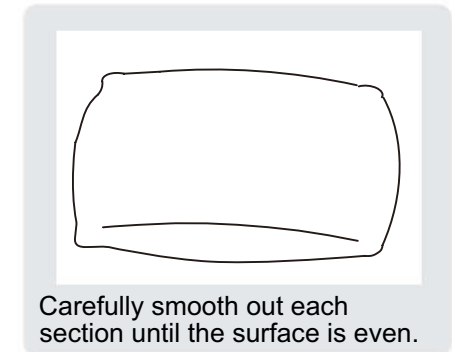
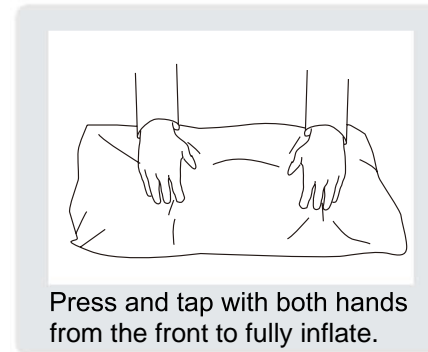
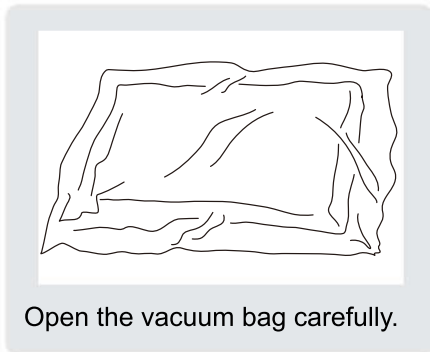
# Safety and Care Advice

**Important – Please read these instructions fully before starting assembly**

Thanks for your purchase. Before assembling, please follow the instructions to check if all the spare parts and screws are intact.

- Considering the size and weight of the sofa, we recommend two adults to assemble the sofa, on a carpeted or padded area, in the room that it is intended for. Approximate assembly time: 30 minutes.
- Keep all components and packaging out of reach of children or animals to avoid the risk of choking or suffocation.
- Please do not throw away any of the packaging or the instruction until you have checked all the components and hardware and the furniture is fully assembled. Please ensure that the packaging is disposed in a safe and environmentally friendly way.
- Please do not take off the cover, and do not wash.

Your cushions come vacuum packed and sealed for shipping. To restore the cushion's original shape, follow the steps below.



After packing up, place them somewhere dry and ventilated. After about 72-96 hours, it can be restored to the best-use condition.

## Seller's Notice:

Our product is packed in separate boxes, as shown below, and they might be shipped in different batches. Please wait until you receive all the boxes and then start the assembly.

Noted: Assembly instruction is only provided in Box1.

The following is the list of components contained in each box.

### Box1

#### Main Structure Accessories

C2		Corner back frame X 1
C3		Corner back frame X 1
E2		Corner left side panel X 1
E3		Corner right side panel X 1
F6		Corner Back Cushion X 1
R1		Left Armrest X 1
R2		Right Armrest X 1
Z2		Support Wood X 2
A		Slats X 9
A1		Slats with Nylon Fastener X 2
B		Slats X 9
B1		Slats with Nylon Fastener X 2
A2		Slats X 4
B2		Slats with Nylon Fastener X 2
A3		Slats X 9
B3		Slats with Nylon Fastener X 2

#### Structural Accessories

J		Pull-out Bed Left Track X 1
J1		Pull-out Bed Right Track X 1
K		Pullout Left Connector X 1
K1		Pullout Right Connector X 1
L		Storage Sofa Right Connector X 1
L1		Storage Sofa Left Connector X 1
S		Right Pull-wheel Bracket X 1
S1		Left Pull-wheel Bracket X 1
W		Bracket X 4
X		Bracket X 5
W2		Bracket X 1

#### Blister Box

T		M8X50mm Bolt	X 2
N		M8X30mm Bolt	X 13+1
N1		M8X45mm Bolt	X 3
P		M8 Allen Key	X 1
U		M5X14mm Bolt	X 8+1
V		M6X17mm Bolt	X 20+1
Y		M8X18mm Bolt	X 6

### Box2

#### Main Structure Accessories

C		Two-Seat Back Frame X 1
D		Two-Seat Left Side Board X 1
D1		Two-Seat Right Side Board X 1
E		Pull-out Front Bezel X 1
E1		Chaise Front Side Board X 1
F		Back Cushion X 4
F1		Single sitting pad X 2
Q		Chaise Storage Board X 1

### Box3

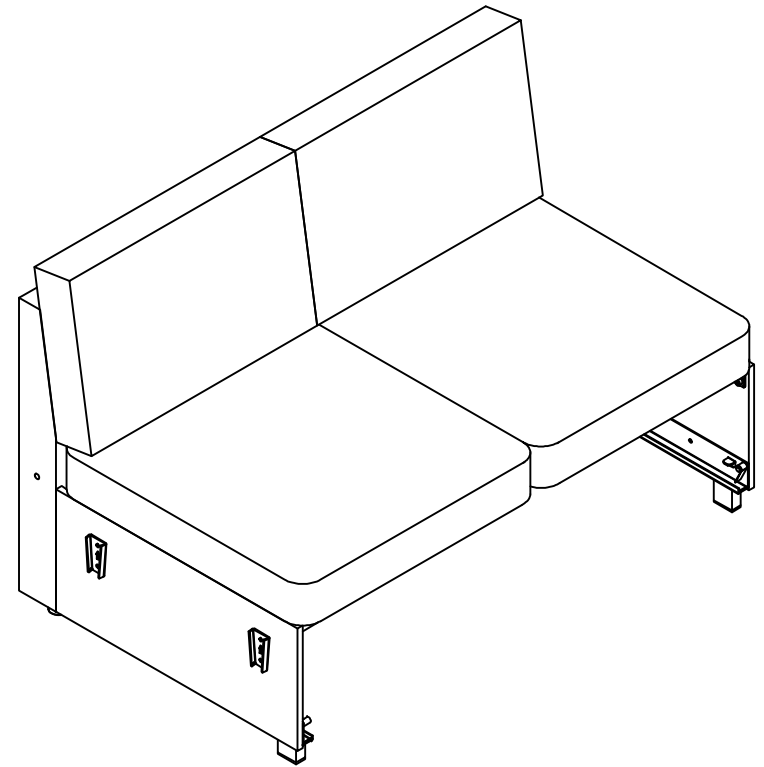
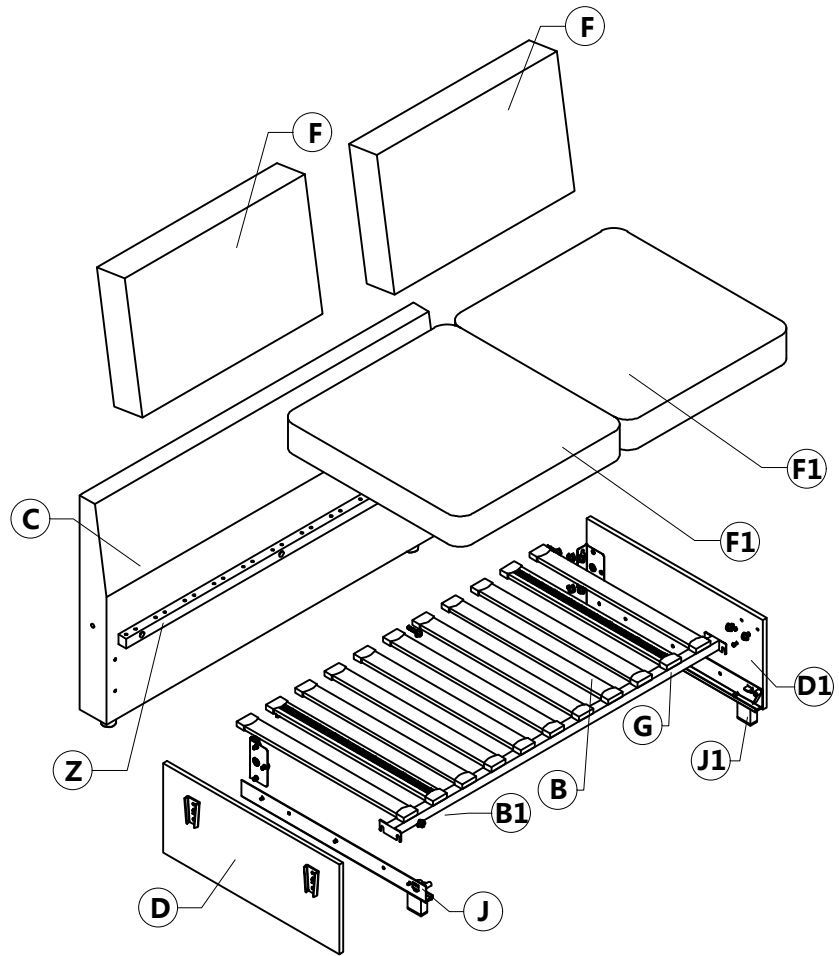
#### Main Structure Accessories

C1		Pull-out bed Back Frame X 1
D2		Pull-out bed Left Side Board X 1
D3		Pull-out bed Right Side Board X 1
F1		Single sitting pad X 2
F2		Pull-out bed sitting pad X 1
F3		corner sitting pad X 1
F5		Armrest Pillow X 3
G		Two-Seat Front Brace X 1
H		Pull-out Metal Frame X 1
H1		Chaise Metal Frame X 1
Z		Support Wood X 1
Z1		Support Wood X 2

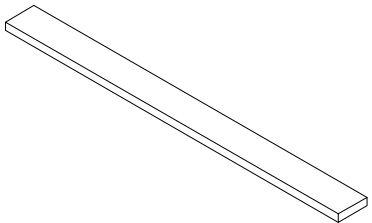
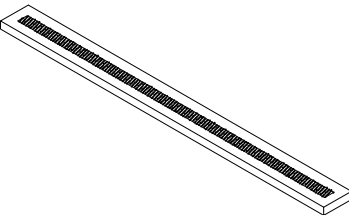
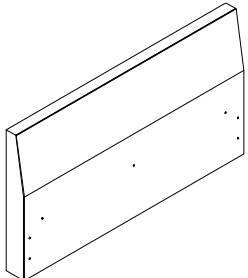
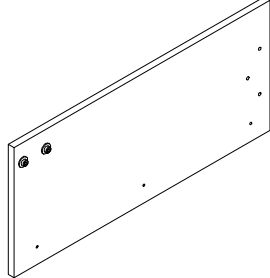
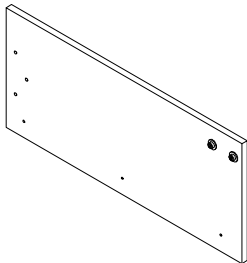
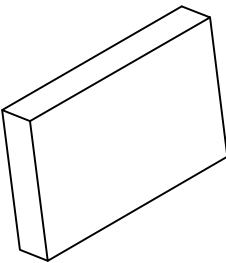
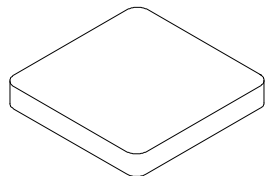
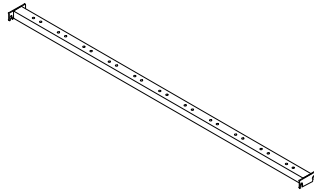
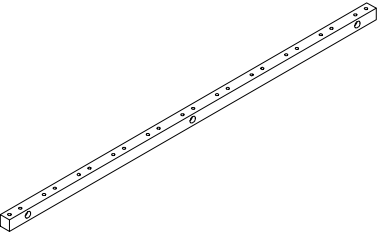
#### Structural Accessories

M		Sofa legs X 15
O		Slats cap X 78+3
F4		Short Rope X 1
F4-1		Long Rope X 2

# TWO-SEAT

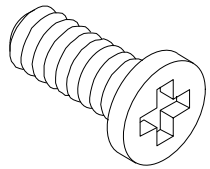


# Main Structure Accessories

<p><b>B</b></p>  <p>Slats</p> <p>9pcs</p>	<p><b>B1</b></p>  <p>Slats with Nylon Fastener</p> <p>2pcs</p>	<p><b>C</b></p>  <p>Two-seat Back Frame</p> <p>1pc</p>	<p><b>D</b></p>  <p>Two-seat Left Side Board</p> <p>1pc</p>
<p><b>D1</b></p>  <p>Two-seat Right Side Board</p> <p>1pc</p>	<p><b>F</b></p>  <p>Back Cushion</p> <p>2pcs</p>	<p><b>F1</b></p>  <p>Single sitting pad</p> <p>2pcs</p>	<p><b>G</b></p>  <p>Two-seat Front Brace</p> <p>1pc</p>
<p><b>Z</b></p>  <p>Two-seat Back Support Wood</p> <p>1pc</p>			

# Hardware Parts

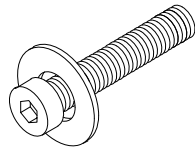
V



M6X17mm Bolt

6pcs

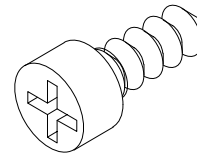
N



M8X30mm Bolt

3pcs

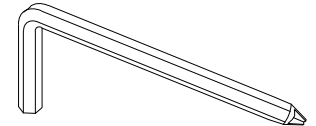
U



M5X14mm Bolt

4pcs

P

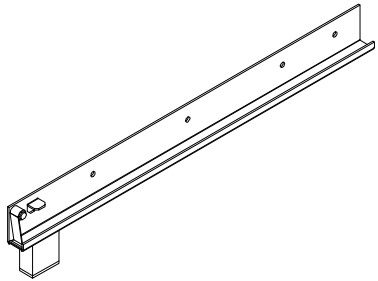


M8 Allen Key

1pc

# Structural Accessories

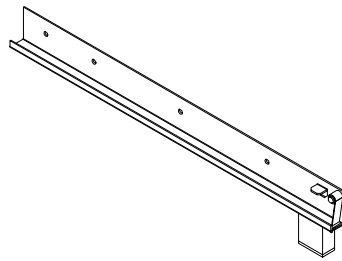
J



Pull-out Bed Left Track

1pc

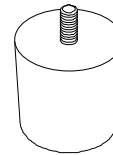
J1



Pull-out Bed Right Track

1pc

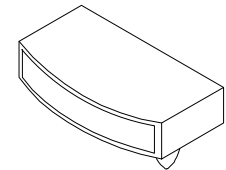
M



Sofa legs

2pcs

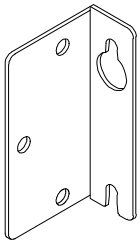
O



Slats cap

22pcs

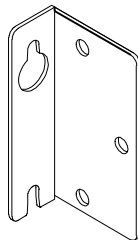
W



Bracket

1pc

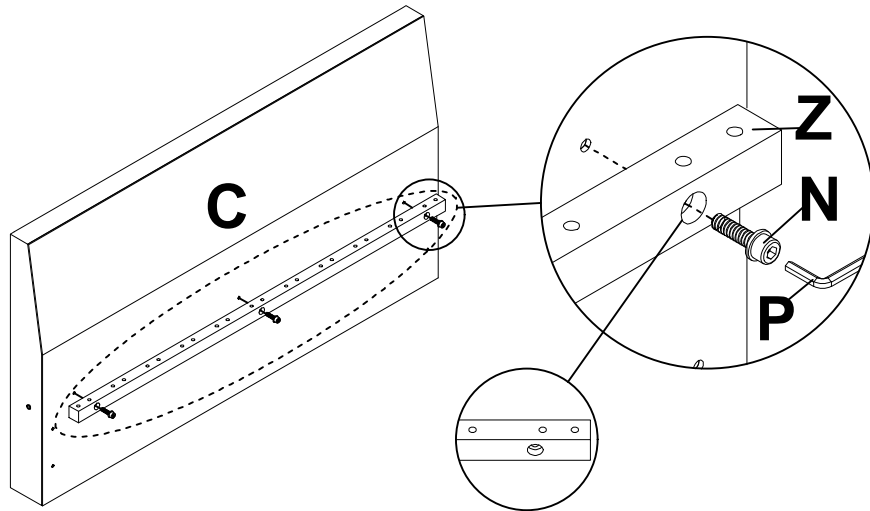
X





Bracket

1pc

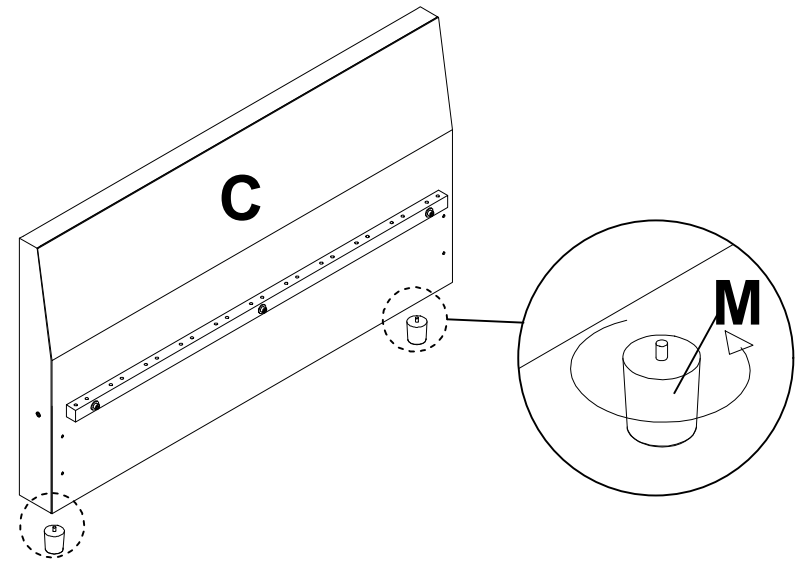
### STEP 1



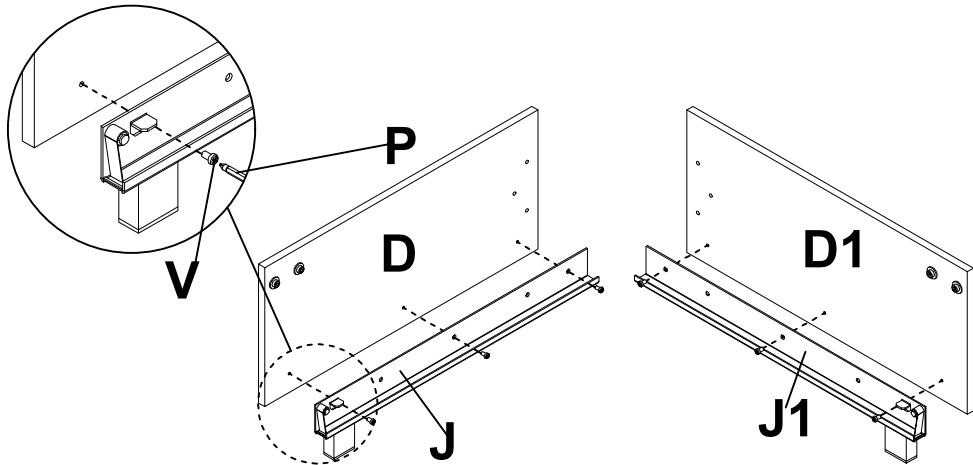
Note that the hole of the buckle faces upward and the countersunk hole faces outward



-  **N x 3pcs**  
M8X30mm
-  **P x 1pc**

### STEP 2



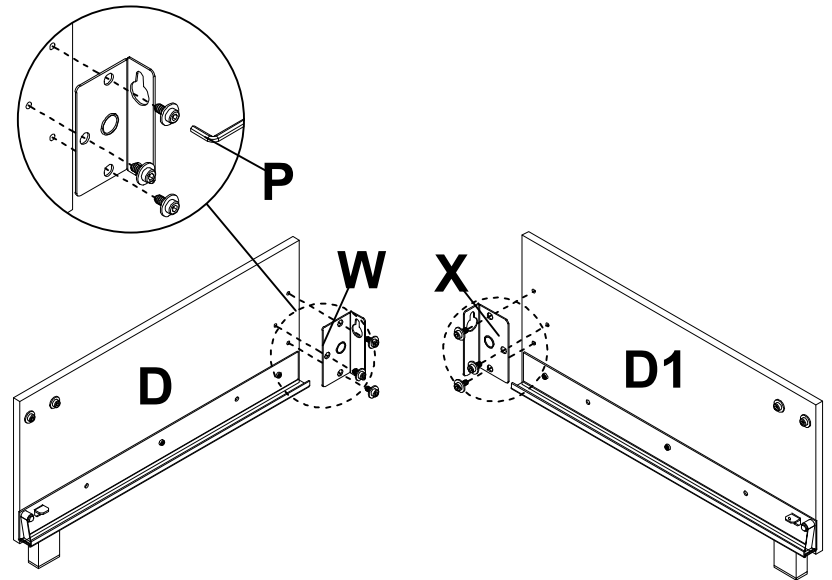
### STEP 3






-  **V x 6pcs**  
M6X17mm
-  **P x 1pc**

### STEP 4

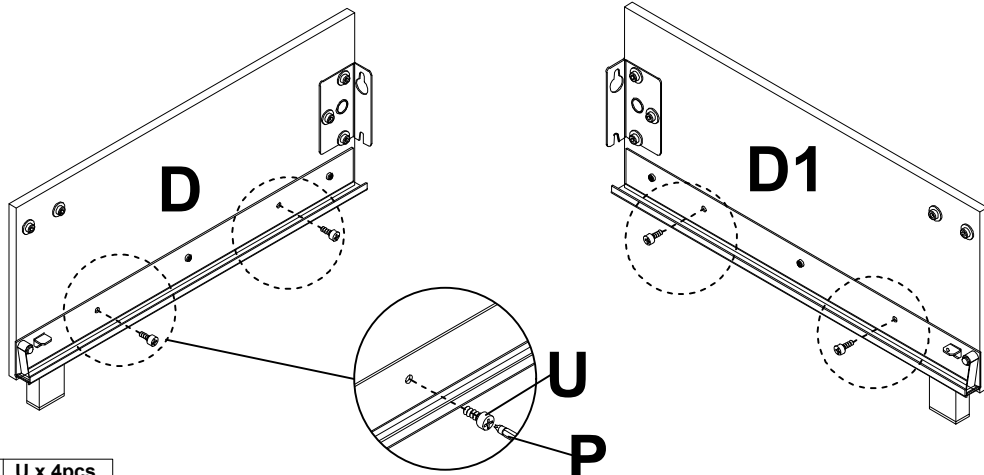
Loosen the bolts properly first for better engagement.



-  **X x 1pc**
-  **W x 1pc**
-  **P x 1pc**

# STEP 5

Reinforcing lock with self-tapping bolts

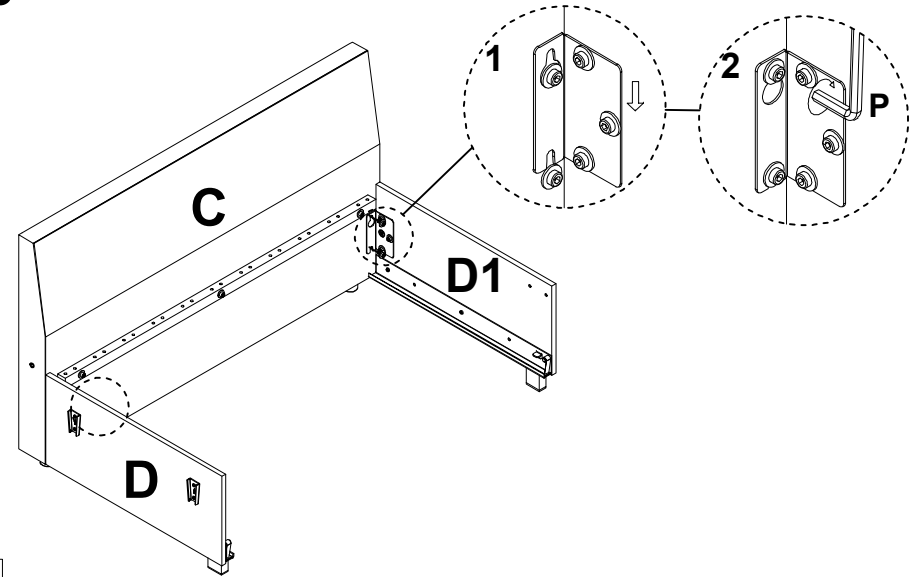


- U x 4pcs  
M5X14mm
- P x 1pc

Tips: Self-tapping bolt is an auxiliary reinforcement function, you can choose to reinforce or not.

# STEP 6

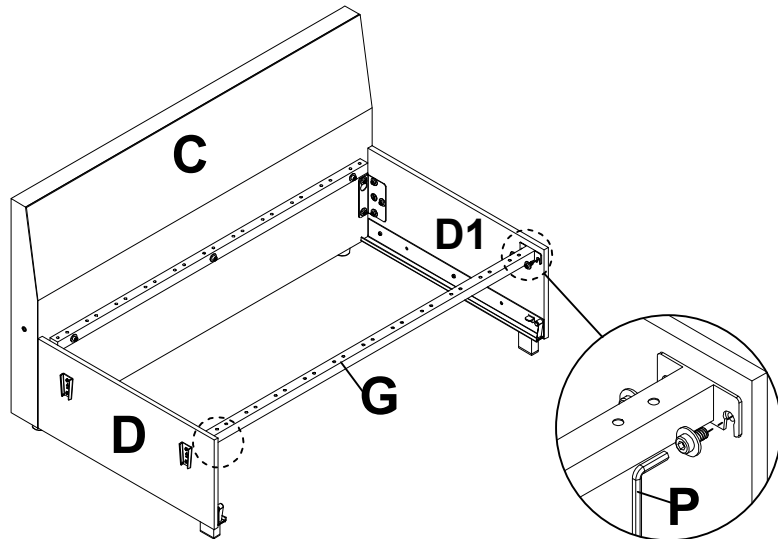
First loosen the bolts, install D/D1 and lock the bolts



- P x 1pc

# STEP 7

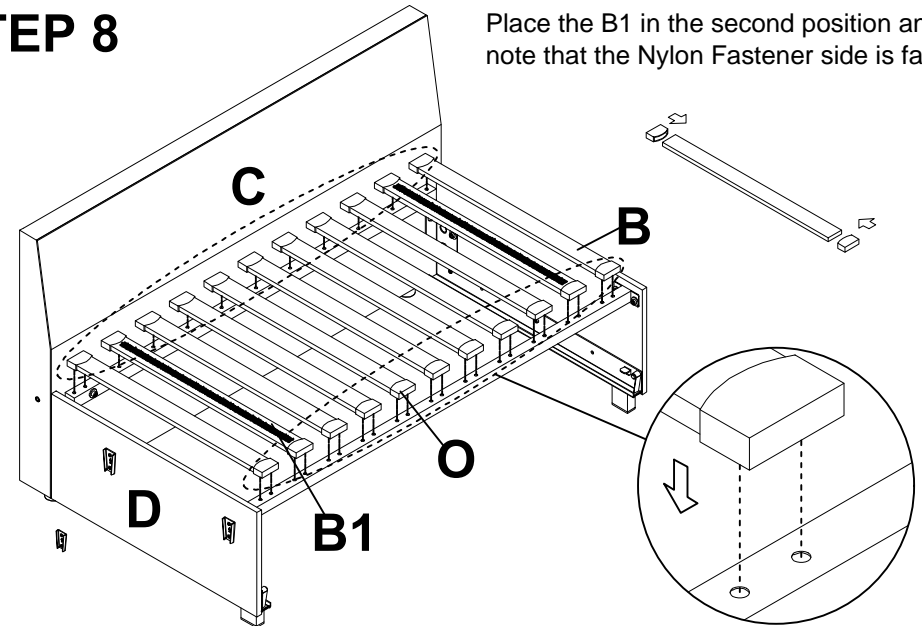
Remove the bolts firstly



- P x 1pc

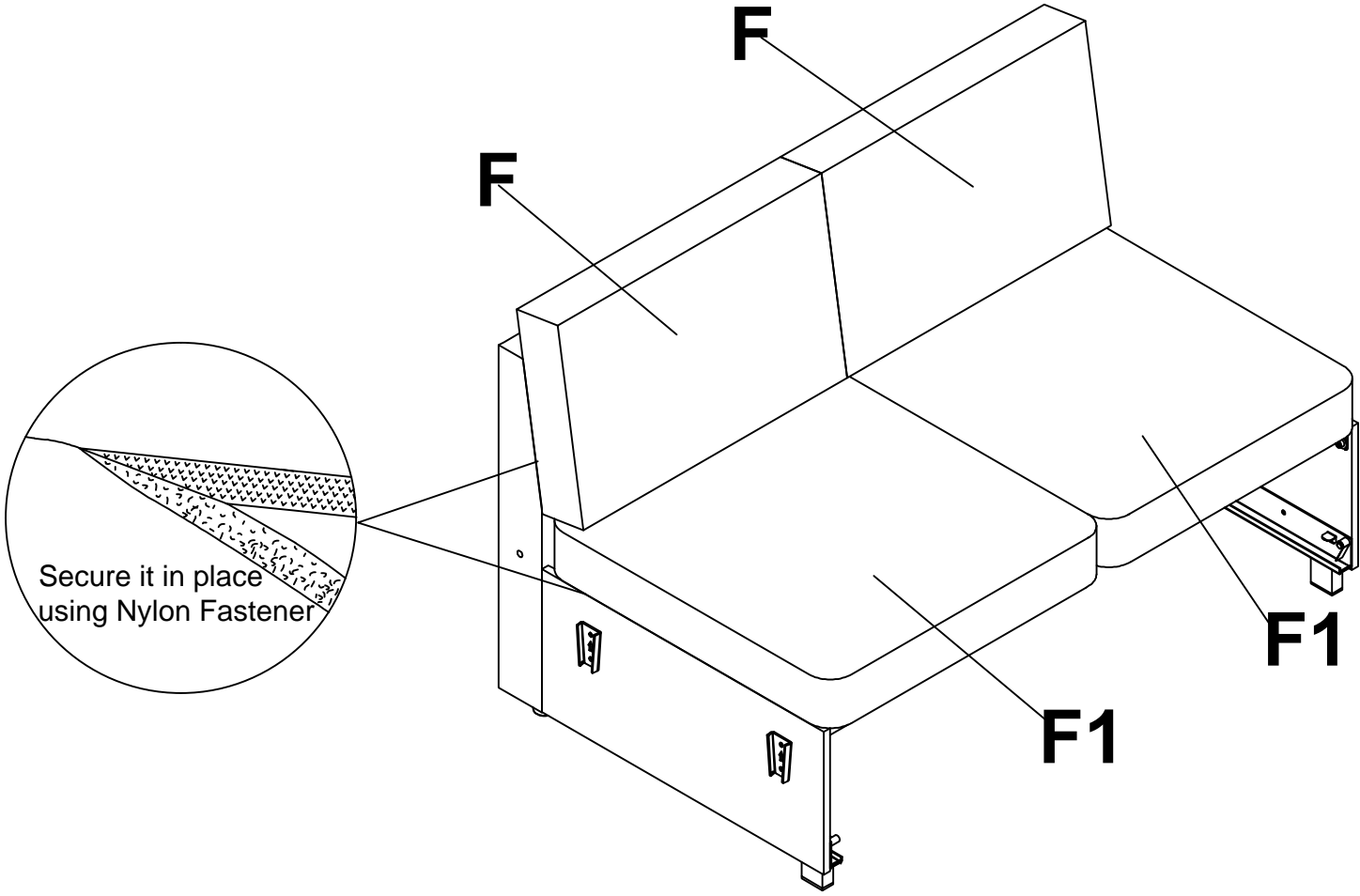
# STEP 8

Place the B1 in the second position and note that the Nylon Fastener side is facing up

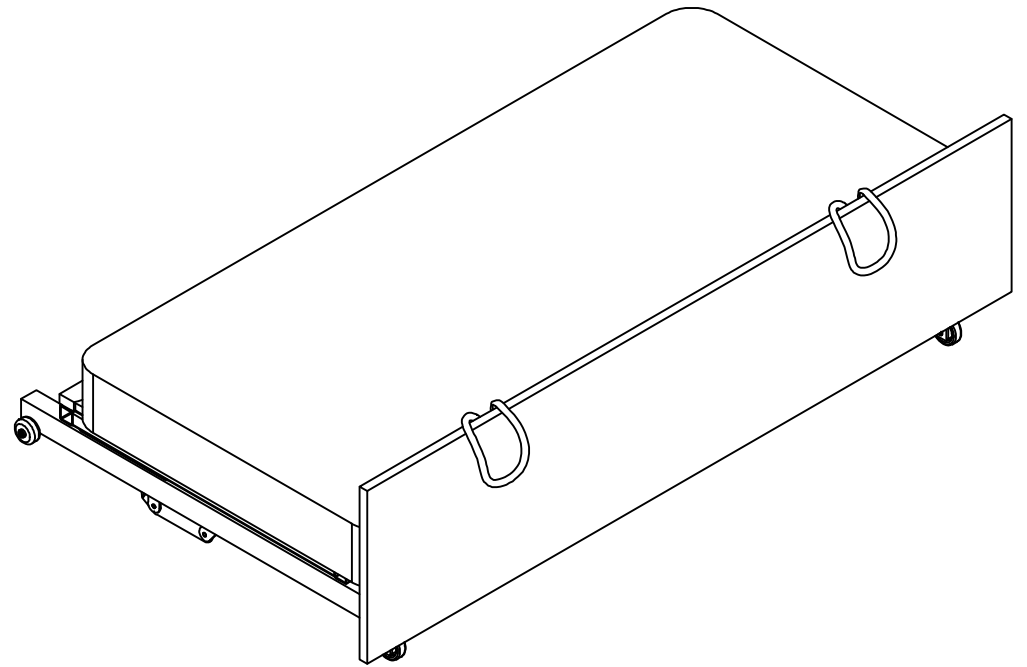
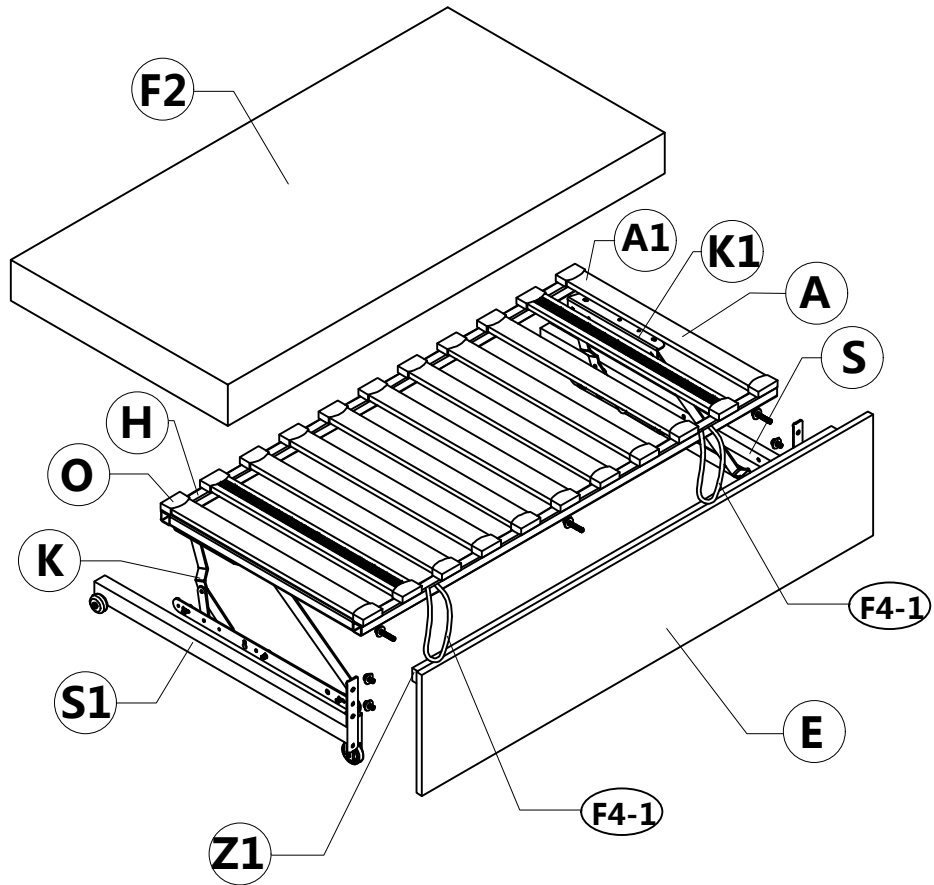




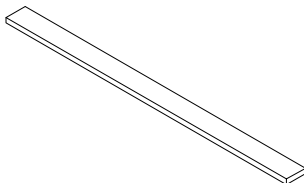
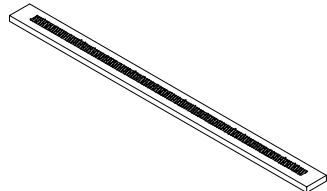
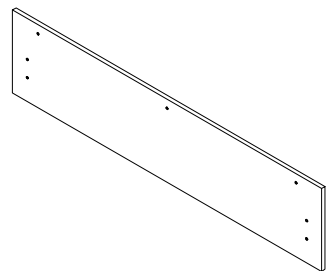
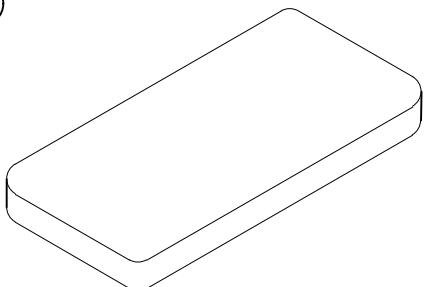
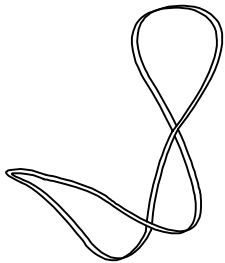
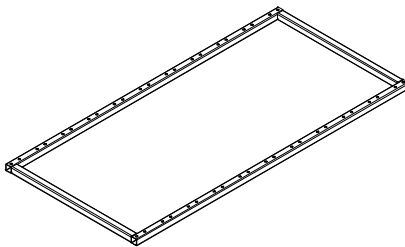
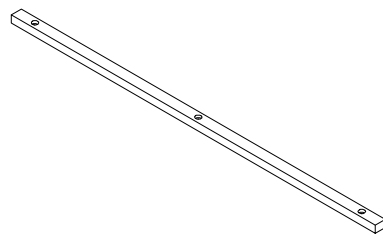
**STEP 9**



# PULL-OUT



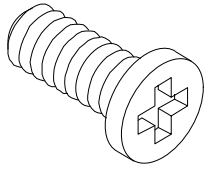
# Main Structure Accessories

<p><b>A</b></p>  <p>Slats</p> <p>9pcs</p>	<p><b>A1</b></p>  <p>Slats with Nylon Fastener</p> <p>2pcs</p>	<p><b>E</b></p>  <p>Pull-out Front Bezel</p> <p>1pc</p>	<p><b>F2</b></p>  <p>Pull-out bed sitting pad</p> <p>1pc</p>
<p><b>F4-1</b></p>  <p>Long Rope</p> <p>2pcs</p>	<p><b>H</b></p>  <p>Pull-out Metal Frame</p> <p>1pc</p>	<p><b>Z1</b></p>  <p>Support Wood</p> <p>1pc</p>	

# Hardware Parts

(V)

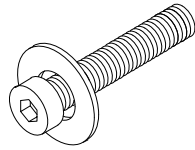
M6X17mm  
Bolt



4pcs

(N)

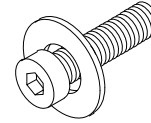
M8X30mm  
Bolt



3pcs

(Y)

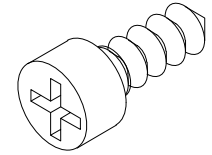
M8X18mm  
Bolt



6pcs

(U)

M5X14mm  
Bolt

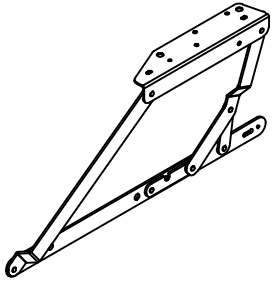


4pcs

# Structural Accessories

(K)

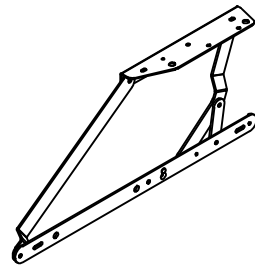
Pullout Left Connector



1pc

(K1)

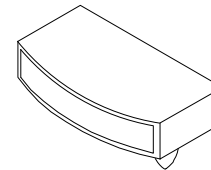
Pullout Right Connector



1pc

(O)

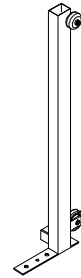
Slats cap



22pcs

(S)

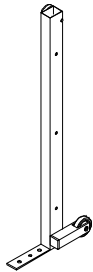
Right Pull-wheel Bracket



1pc

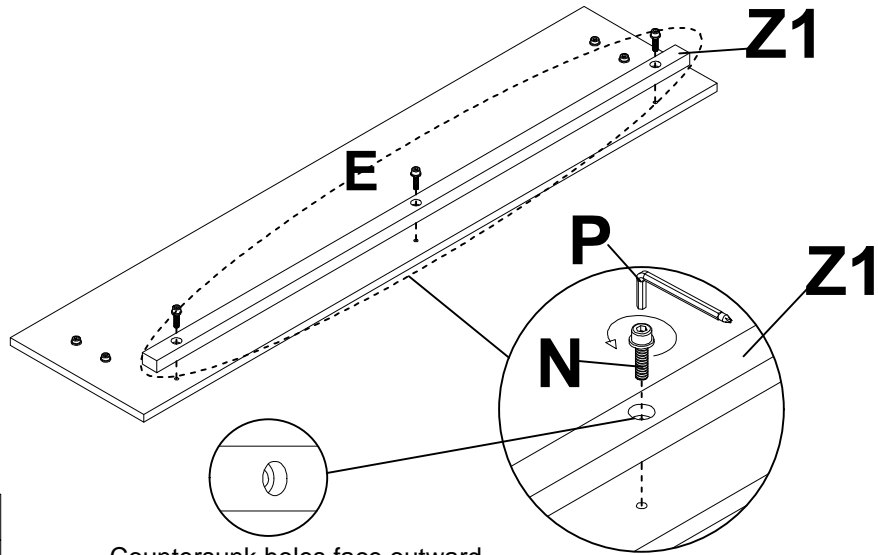
(S1)



Left Pull-wheel Bracket



1pc

# STEP 1



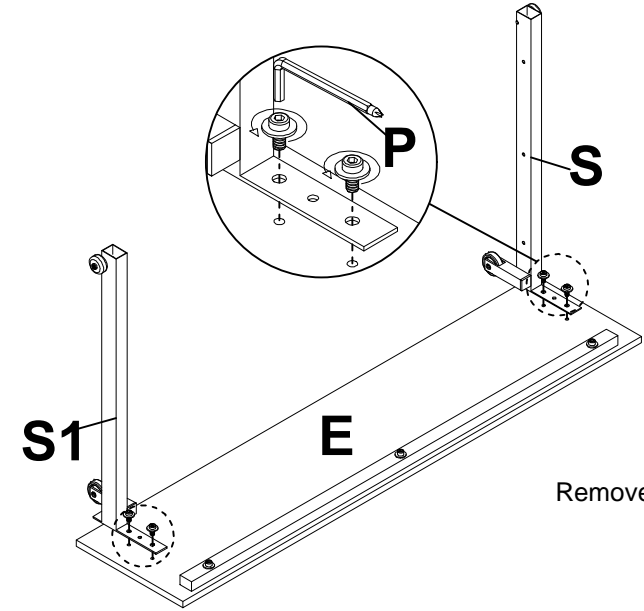
-  **N x 3pcs**  
M8X30mm
-  **P x 1pc**


Countersunk holes face outward.

Tips: Self-tapping bolts is an auxiliary reinforcement function, you can choose to reinforce or not.

# STEP 2

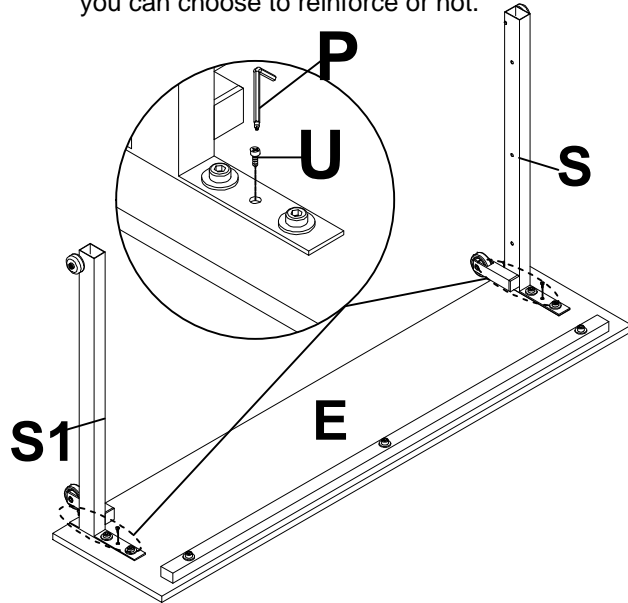
Loosen the bolts properly first for better engagement.





-  **P x 1pc**

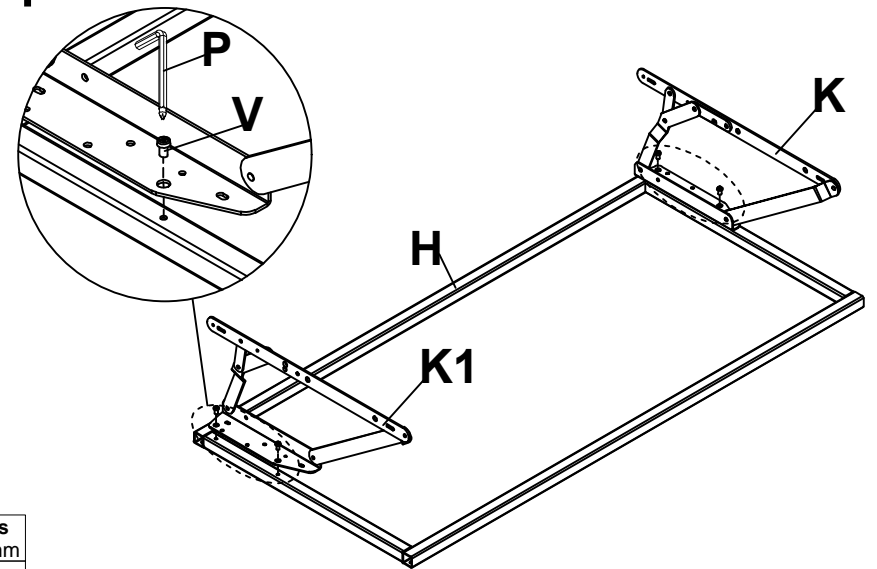
Remove the bolts firstly



# STEP 3



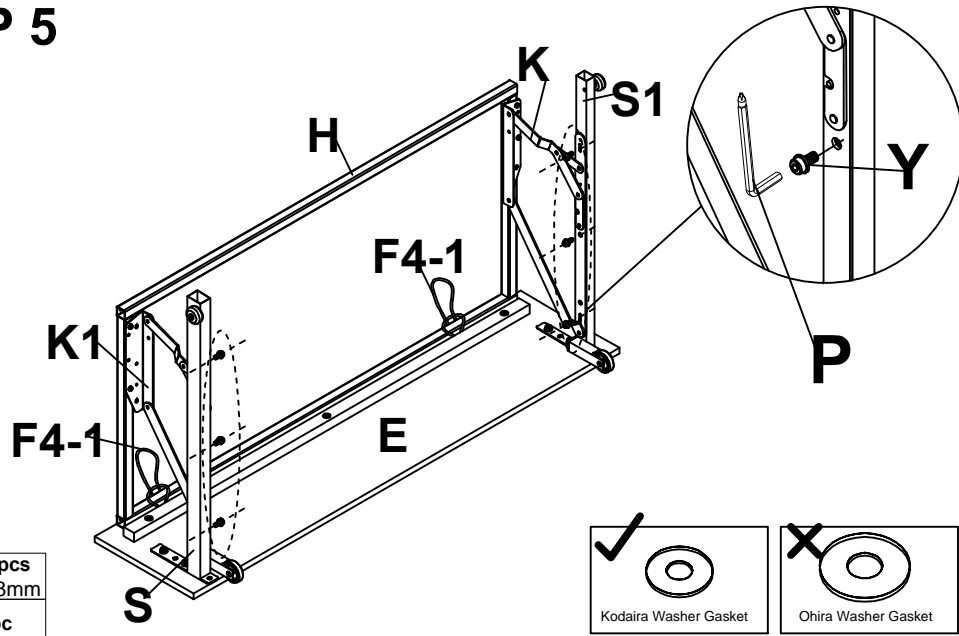
-  **U x 4pcs**  
M5X14mm
-  **P x 1pc**



# STEP 4

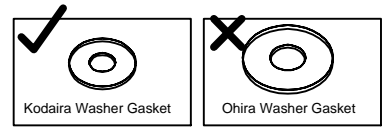


-  **V x 4pcs**  
M6X17mm
-  **P x 1pc**

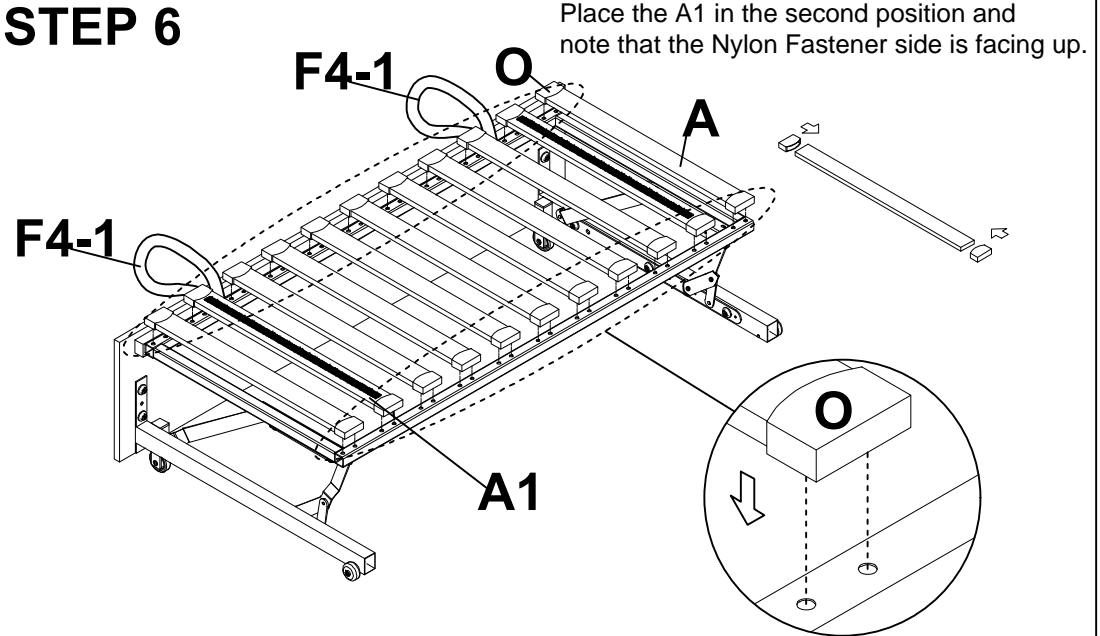
### STEP 5



-  Y x 6pcs  
M8X18mm
-  P x 1pc

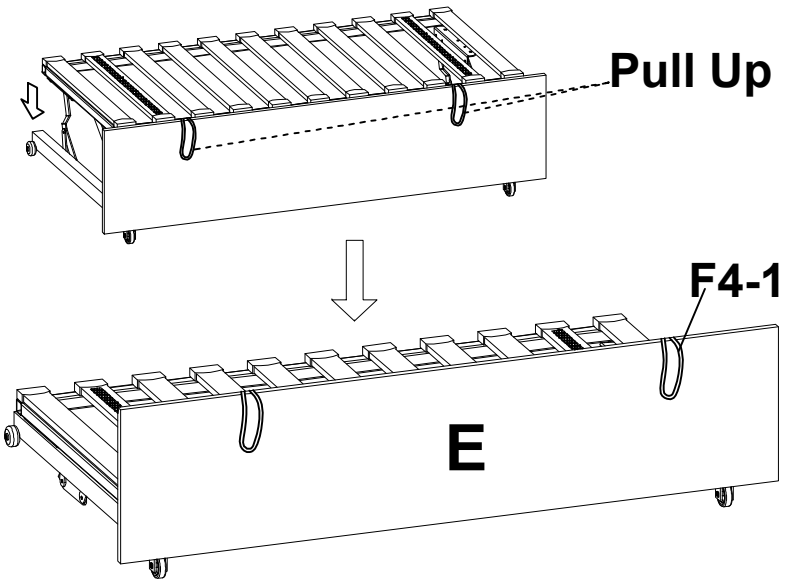


### STEP 6



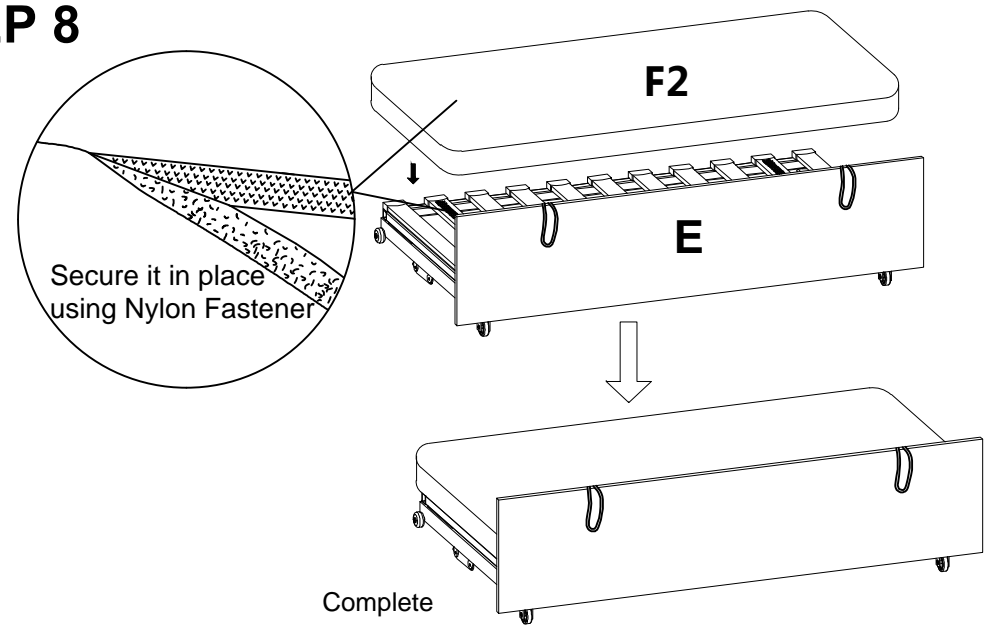
Place the A1 in the second position and note that the Nylon Fastener side is facing up.

### STEP 7



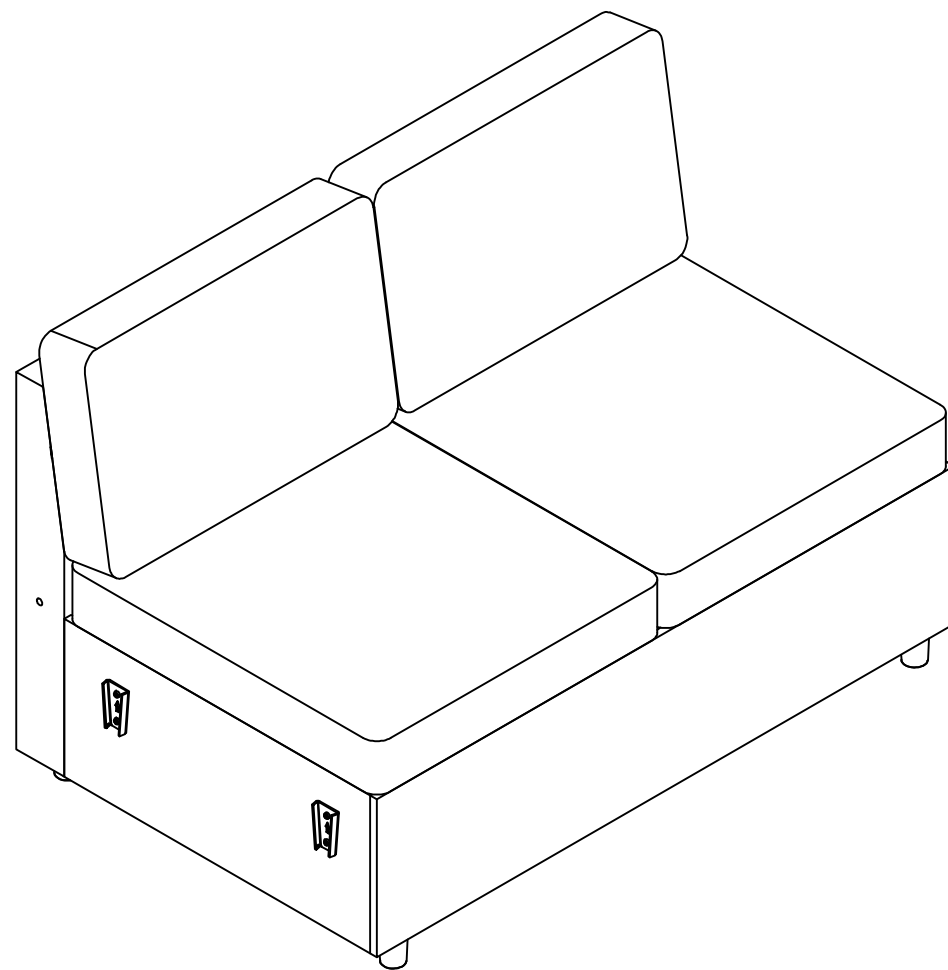
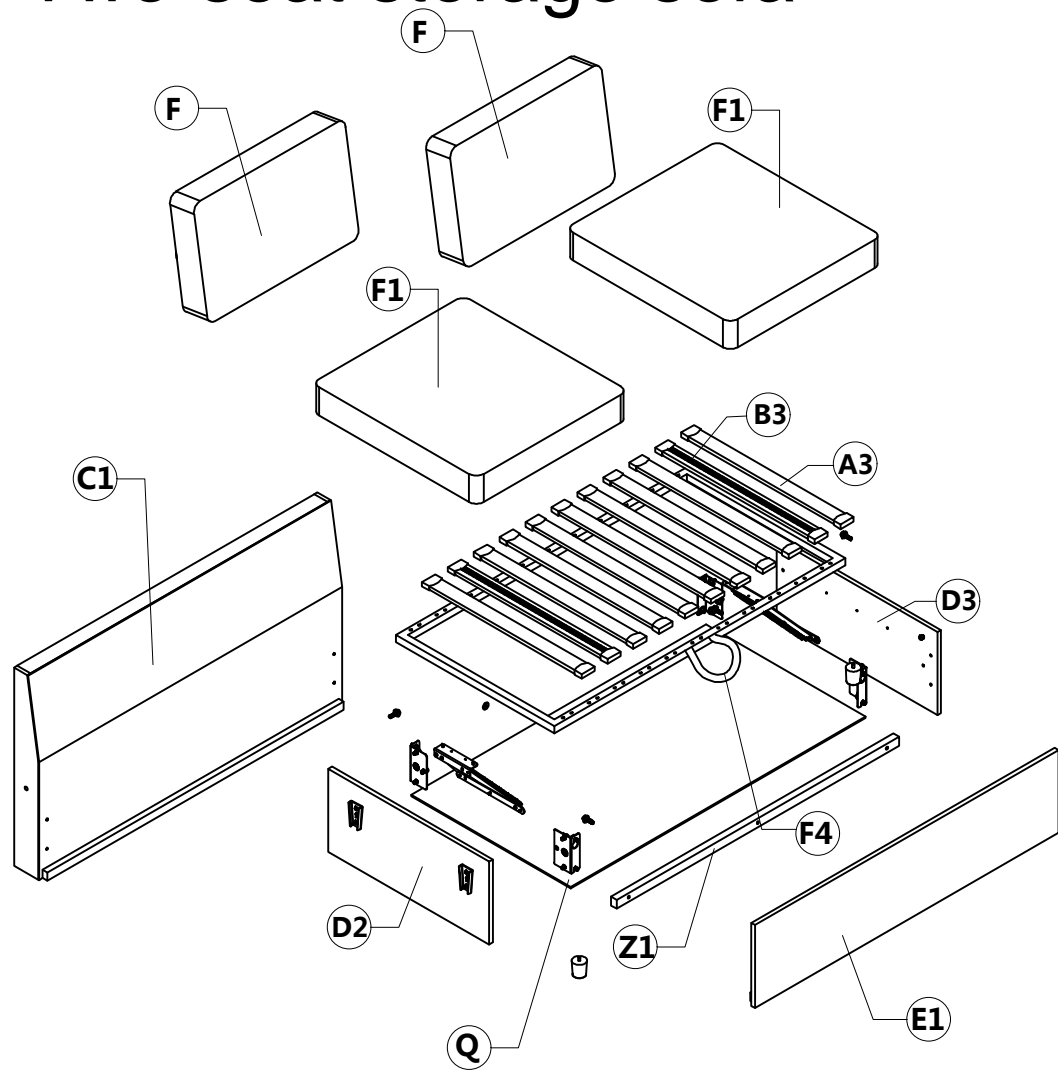
Pull the drawstring to adjust the supporting frame.

### STEP 8

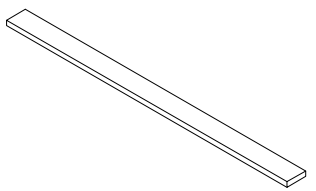
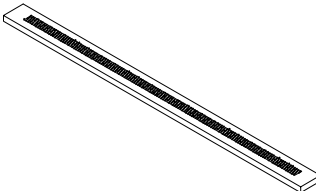
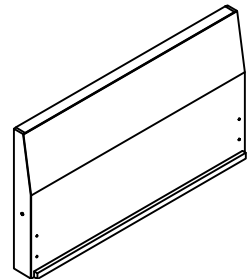
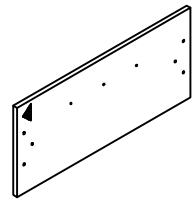
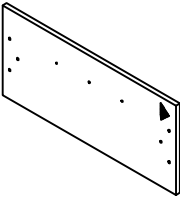
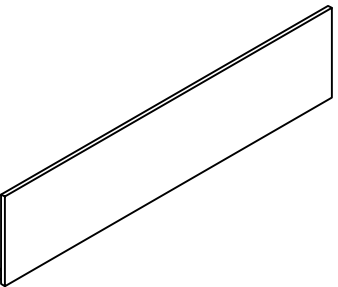
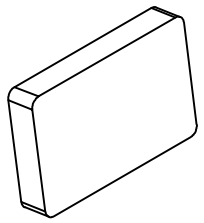
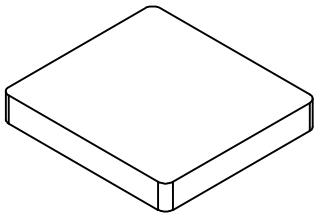
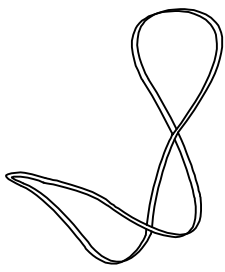
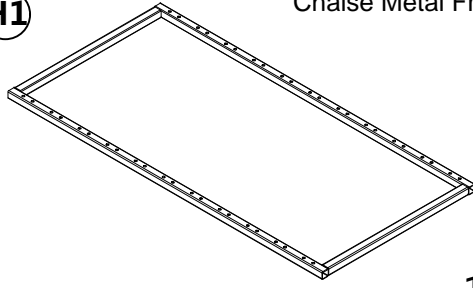
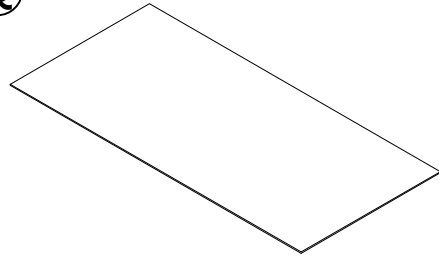
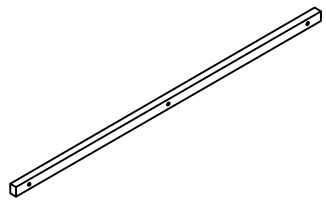


Complete

# Two-seat storage sofa

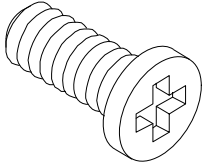
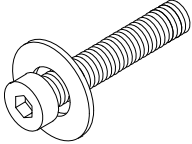


# Main Structure Accessories

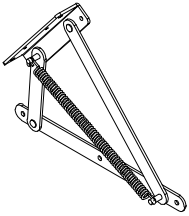
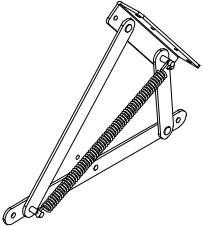
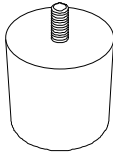
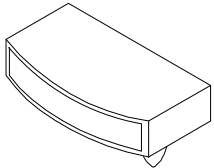
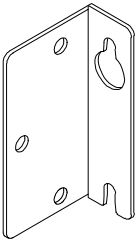
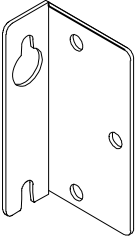
<p><b>A3</b></p> <p>Slats</p>  <p>9pcs</p>	<p><b>B3</b></p> <p>Slats with Nylon Fastener</p>  <p>2pcs</p>	<p><b>C1</b></p> <p>Pull-out bed Back Frame</p>  <p>1pc</p>	<p><b>D2</b></p> <p>Pull-out bed Left Side Board</p>  <p>1pc</p>
<p><b>D3</b></p> <p>Pull-out bed Right Side Board</p>  <p>1pc</p>	<p><b>E1</b></p> <p>Chaise Front Side Board</p>  <p>1pc</p>	<p><b>F</b></p> <p>Back Cushion</p>  <p>2pcs</p>	<p><b>F1</b></p> <p>Single sitting pad</p>  <p>2pcs</p>
<p><b>F4</b></p> <p>Short Rope</p>  <p>1pc</p>	<p><b>H1</b></p> <p>Chaise Metal Frame</p>  <p>1pc</p>	<p><b>Q</b></p> <p>Chaise Storage Board</p>  <p>1pc</p>	<p><b>Z1</b></p> <p>Support Wood</p>  <p>1pc</p>



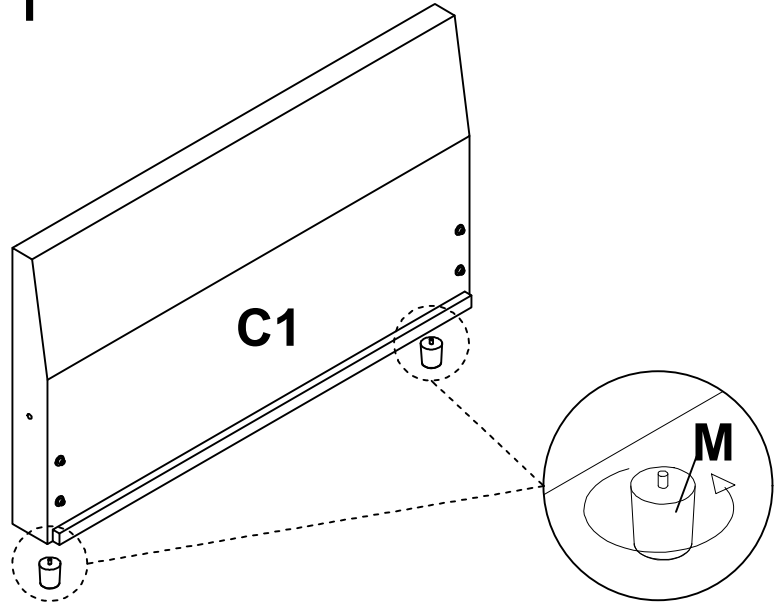
# Hardware Parts

<p><b>(V)</b></p> <p>M6X17mm Bolt</p>  <p>10pcs</p>	<p><b>(N)</b></p> <p>M8X30mm Bolt</p>  <p>3pcs</p>
--	---

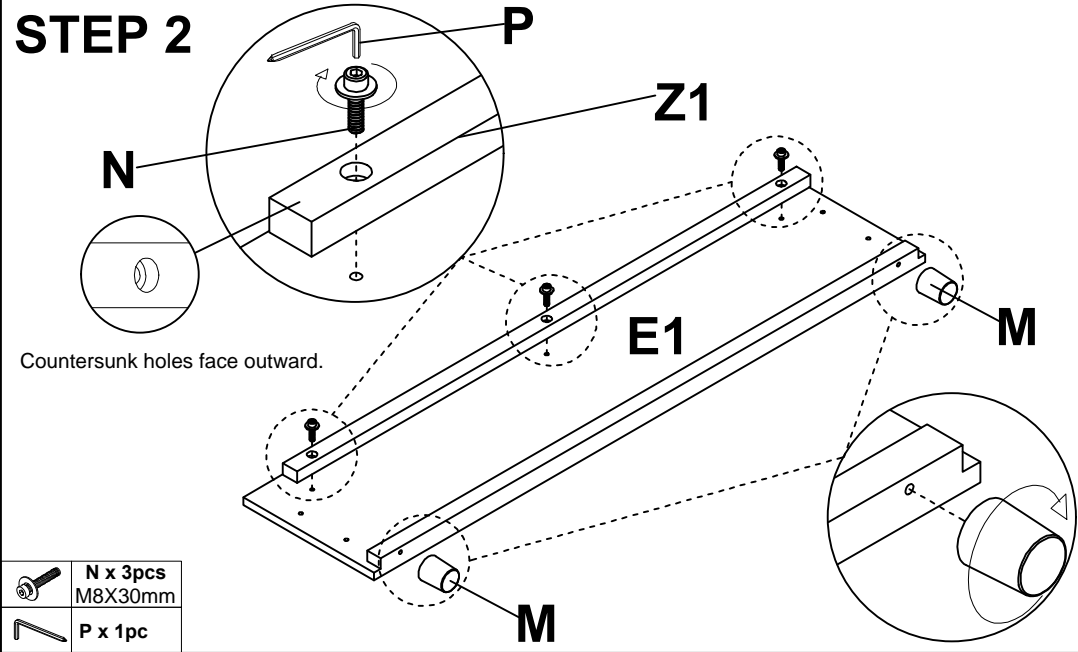
# Structural Accessories



<p><b>(L)</b></p> <p>Chaise Right Connector</p>  <p>1pc</p>	<p><b>(L1)</b></p> <p>Chaise Left Connector</p>  <p>1pc</p>	<p><b>(M)</b></p> <p>Sofa Feet</p>  <p>4pcs</p>	<p><b>(O)</b></p> <p>Slats cap</p>  <p>22pcs</p>
<p><b>(W)</b></p> <p>Bracket</p>  <p>2pcs</p>	<p><b>(X)</b></p> <p>Bracket</p>  <p>2pcs</p>		

# STEP 1



# STEP 2

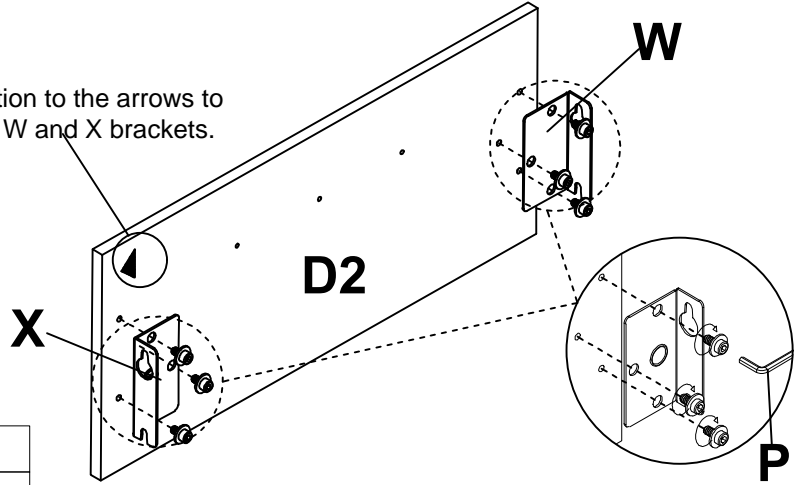





	N x 3pcs M8X30mm
	P x 1pc

# STEP 3

Remove the bolts firstly

Pay attention to the arrows to install the W and X brackets.

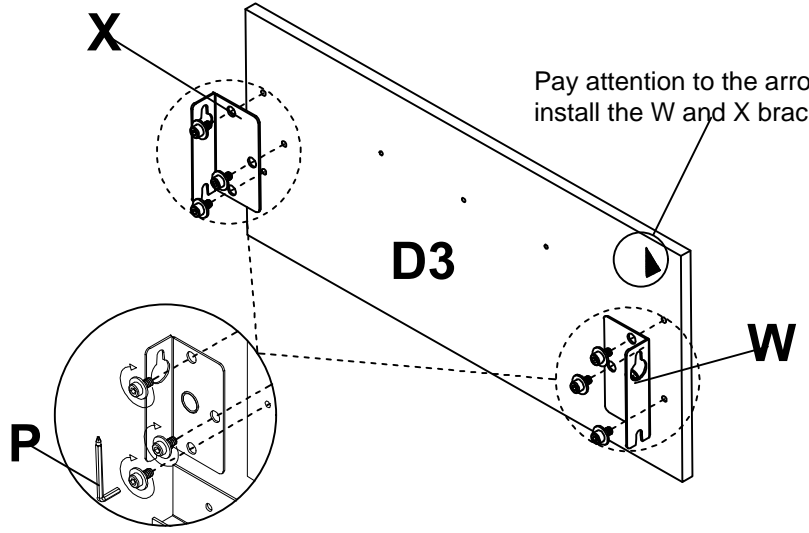





	W x 1pc
	X x 1pc
	P x 1pc

# STEP 4

Remove the bolts firstly

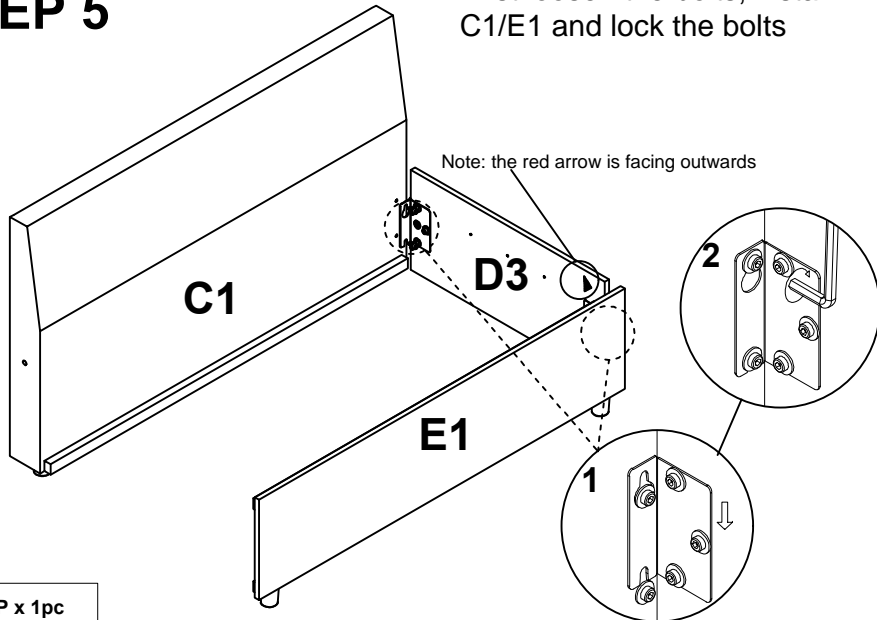
Pay attention to the arrows to install the W and X brackets.



	W x 1pc
	X x 1pc
	P x 1pc

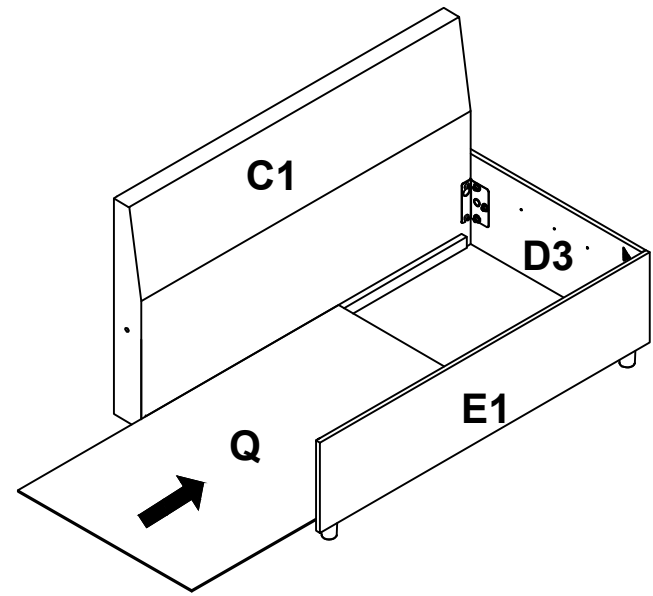
# STEP 5

First loosen the bolts, install C1/E1 and lock the bolts



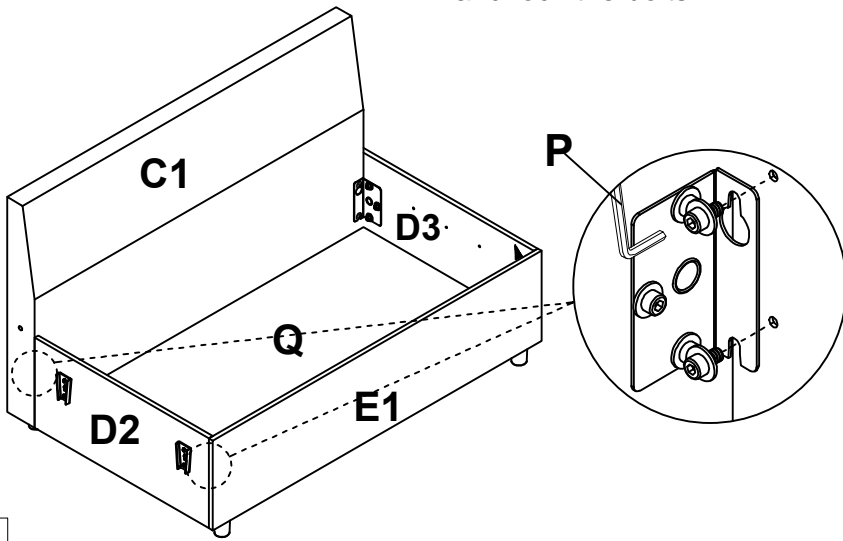
P x 1pc

# STEP 6



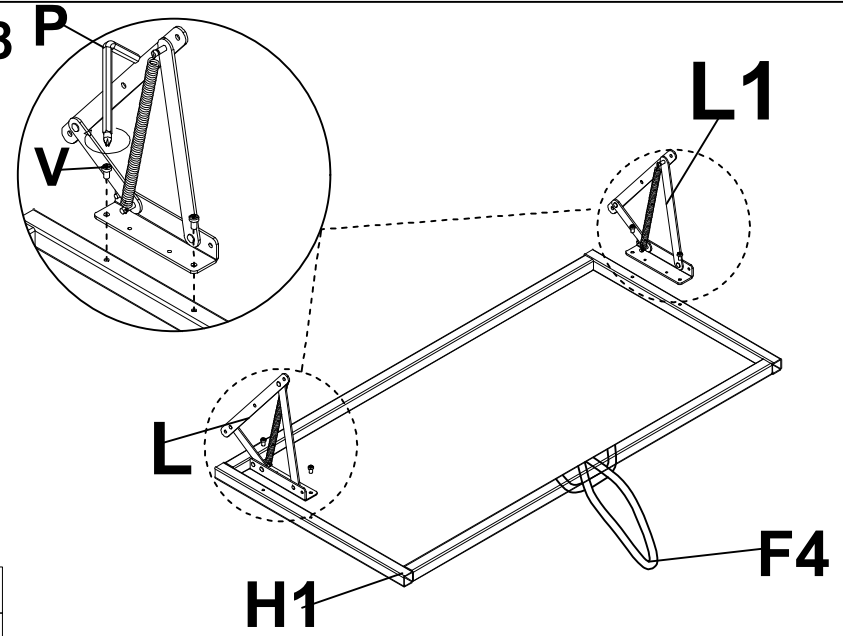
# STEP 7

First loosen the bolts, install D2 and lock the bolts



P x 1pc

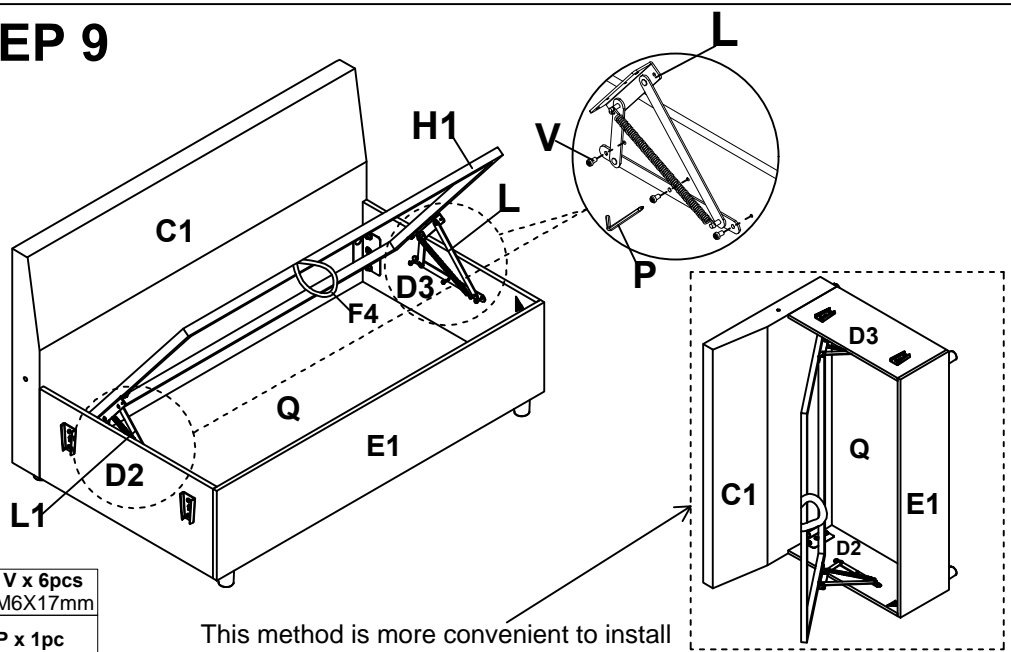
# STEP 8



V x 4pcs  
M6X17mm

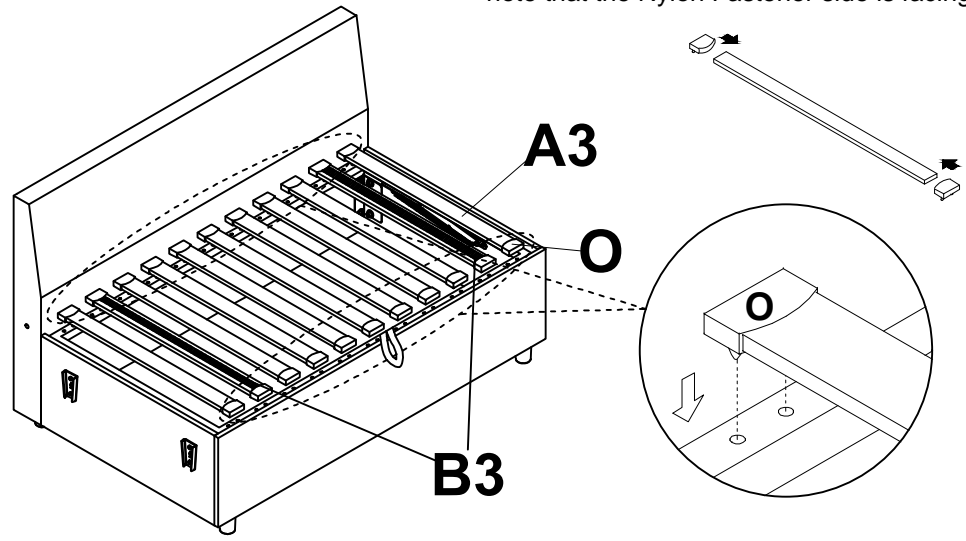
P x 1pc

# STEP 9

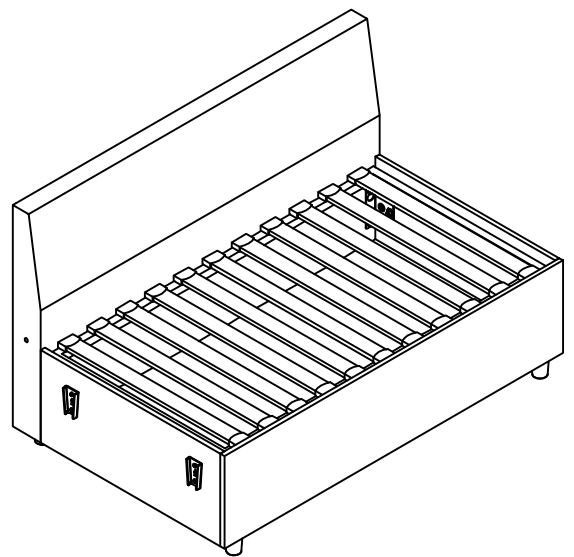


# STEP 10

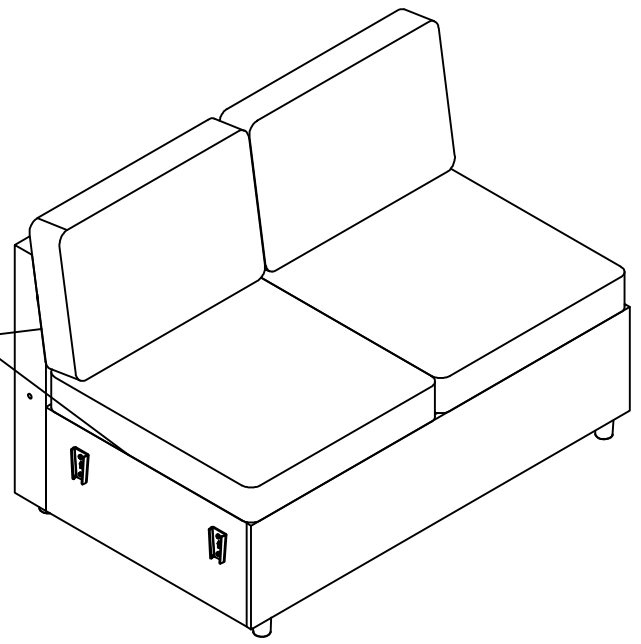
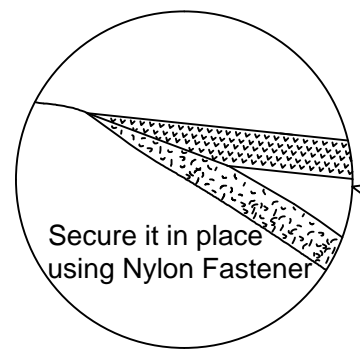
Place the A3 in the second position and note that the Nylon Fastener side is facing up



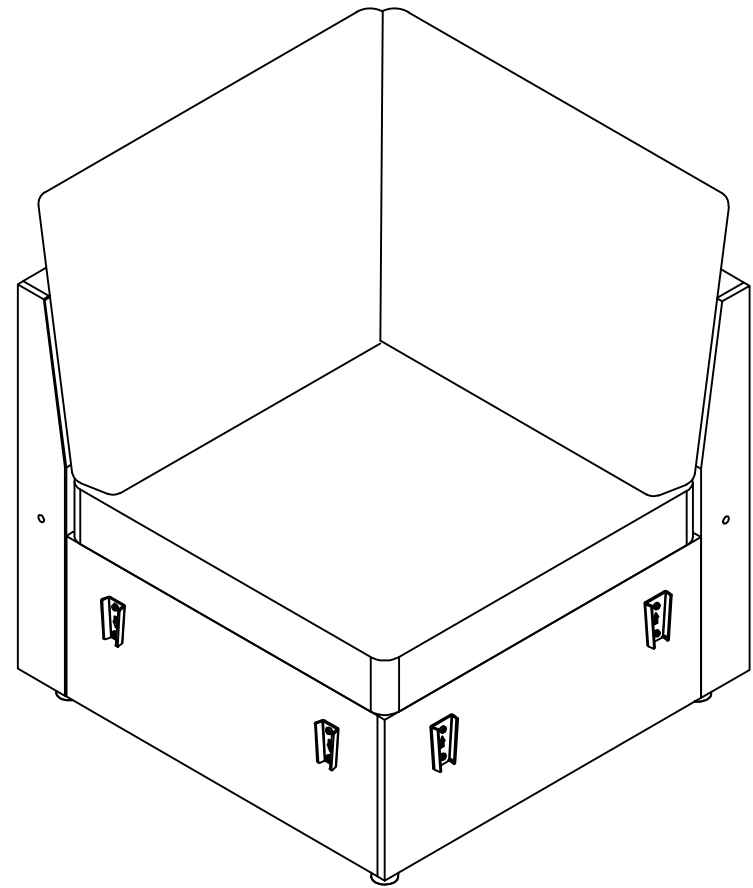
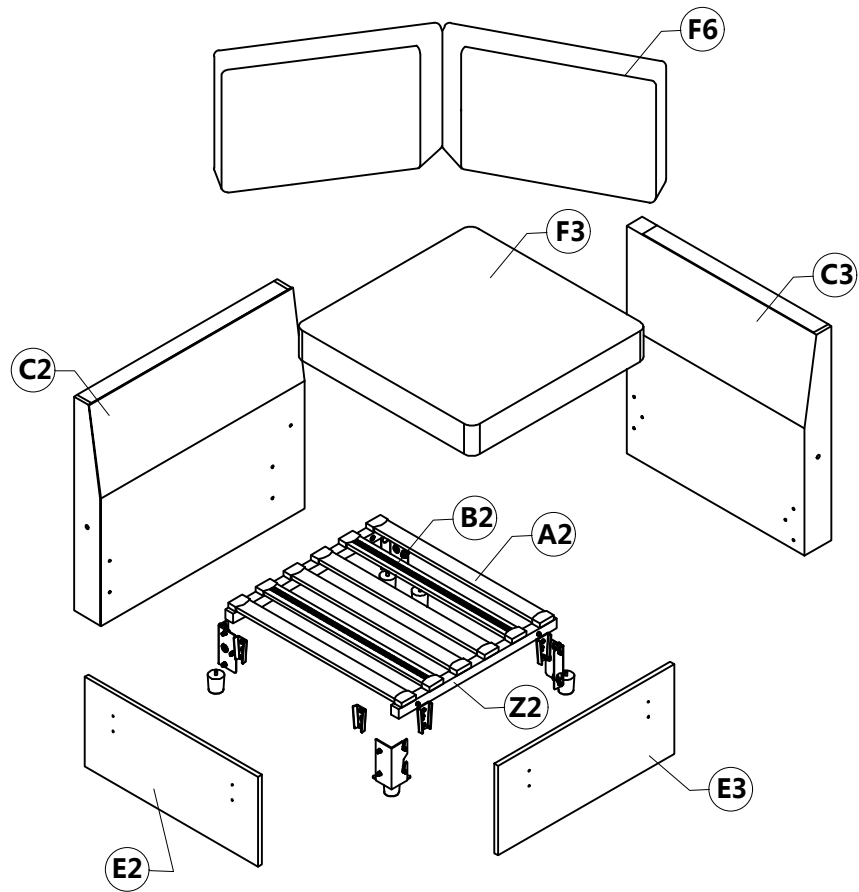
# STEP 11



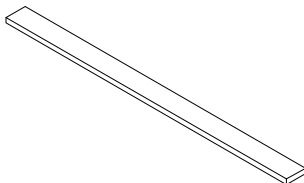
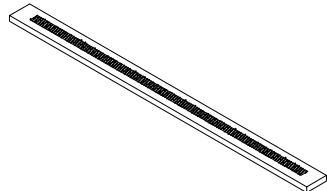
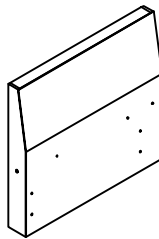
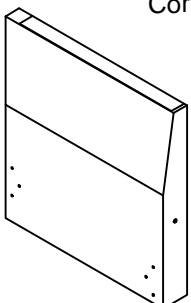
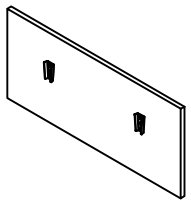
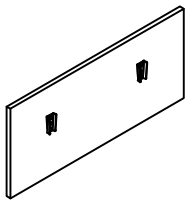
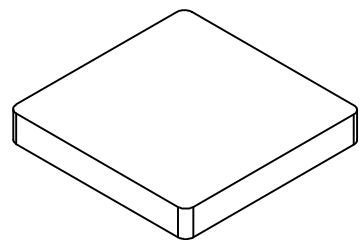
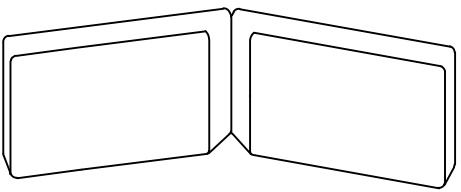
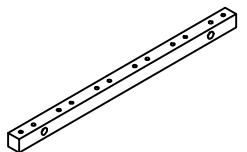
# STEP 12



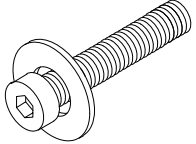
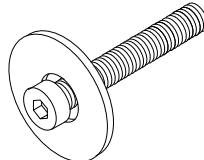
# Sofa corner



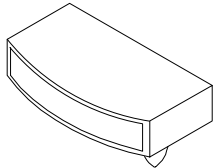
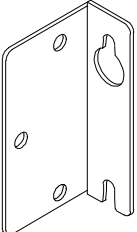
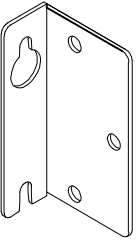
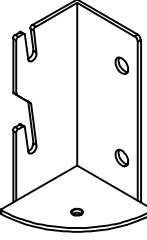
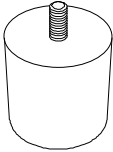
# Main Structure Accessories

<p><b>A2</b></p> <p>Slats</p>  <p>4pcs</p>	<p><b>B2</b></p> <p>Slats with Nylon Fastener</p>  <p>2pcs</p>	<p><b>C2</b></p> <p>Corner back frame</p>  <p>1pc</p>	<p><b>C3</b></p> <p>Corner back frame</p>  <p>1pc</p>
<p><b>E2</b></p> <p>Corner left side panel</p>  <p>1pc</p>	<p><b>E3</b></p> <p>Corner right side panel</p>  <p>1pc</p>	<p><b>F3</b></p> <p>Corner sitting pad</p>  <p>2pcs</p>	<p><b>F6</b></p> <p>Corner Back Cushion</p>  <p>1pc</p>
<p><b>Z2</b></p> <p>Support Wood</p>  <p>2pcs</p>			

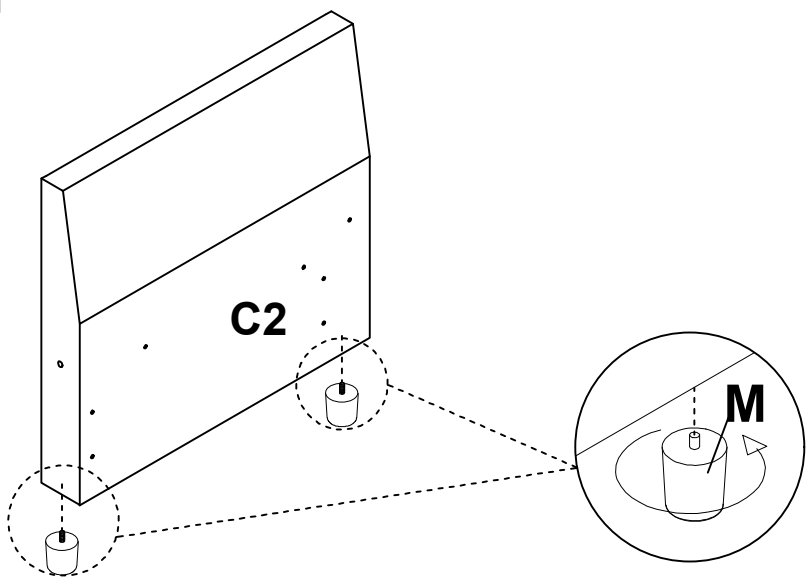
# Hardware Parts

<p><b>(N)</b></p> <p>M8X30mm Bolt</p>  <p>4pcs</p>	<p><b>(N1)</b></p> <p>M8X45mm Bolt</p>  <p>1pc</p>
---	---

# Structural Accessories

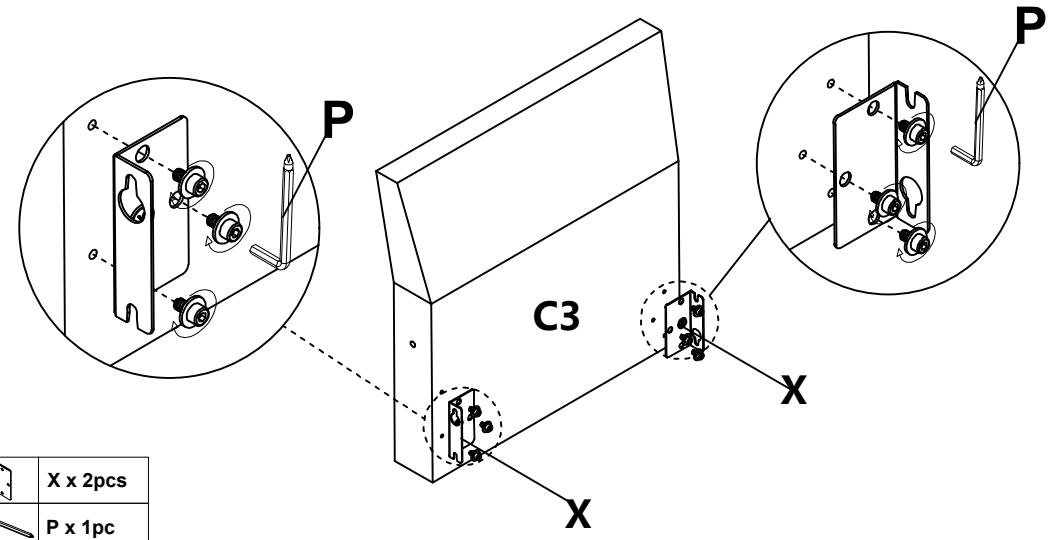
<p><b>(O)</b></p> <p>Slats cap</p>  <p>12pcs</p>	<p><b>(W)</b></p> <p>Bracket</p>  <p>1pc</p>	<p><b>(X)</b></p> <p>Bracket</p>  <p>2pcs</p>	<p><b>(W2)</b></p> <p>Bracket</p>  <p>1pc</p>
<p><b>(M)</b></p> <p>Sofa legs</p>  <p>5pcs</p>			



### STEP 1



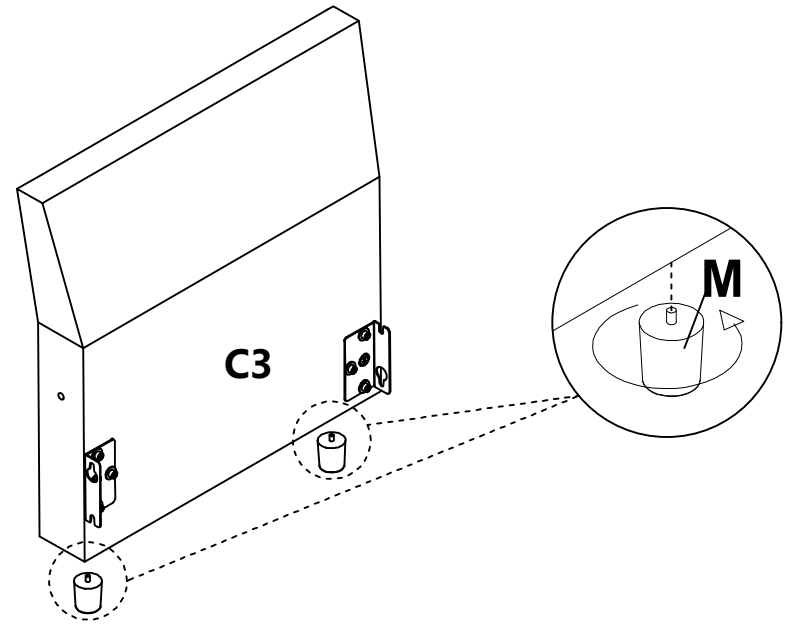
### STEP 2

Remove the bolts firstly

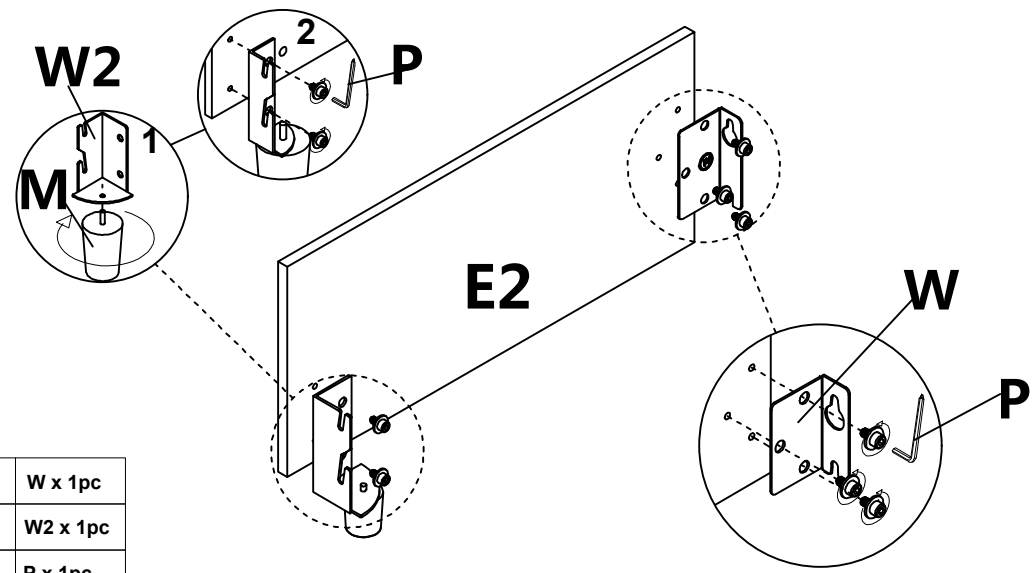





	X x 2pcs
	P x 1pc

### STEP 3



### STEP 4

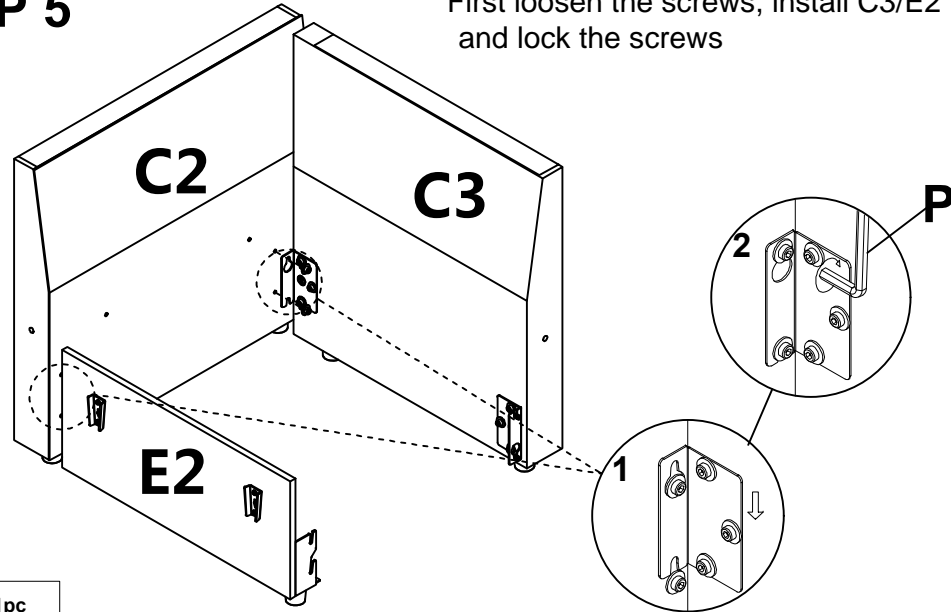


	W x 1pc
	W2 x 1pc
	P x 1pc



### STEP 5

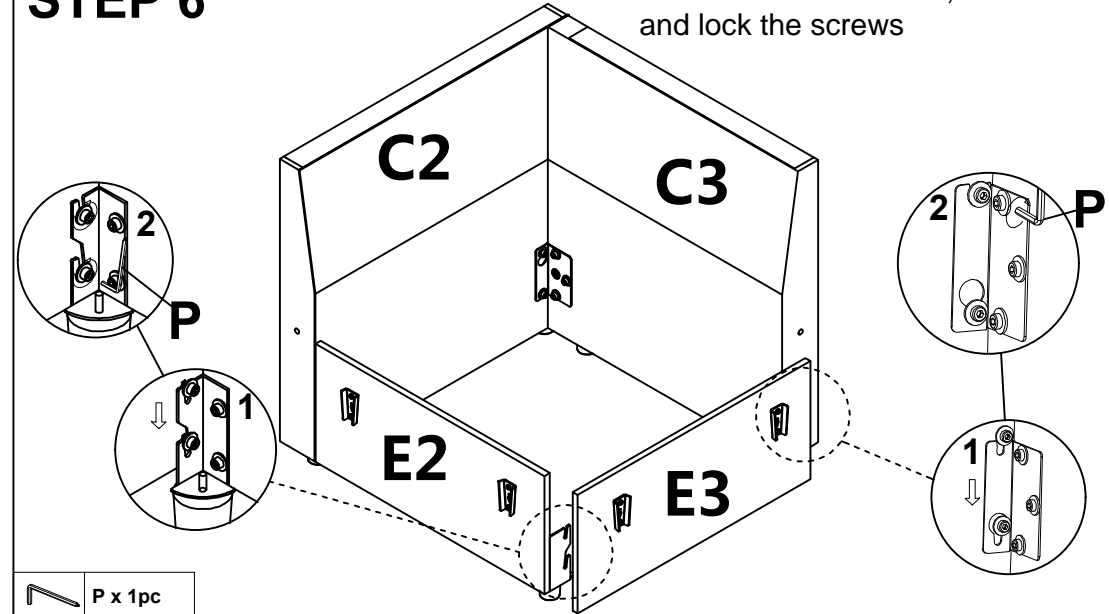
First loosen the screws, install C3/E2 and lock the screws



P x 1pc

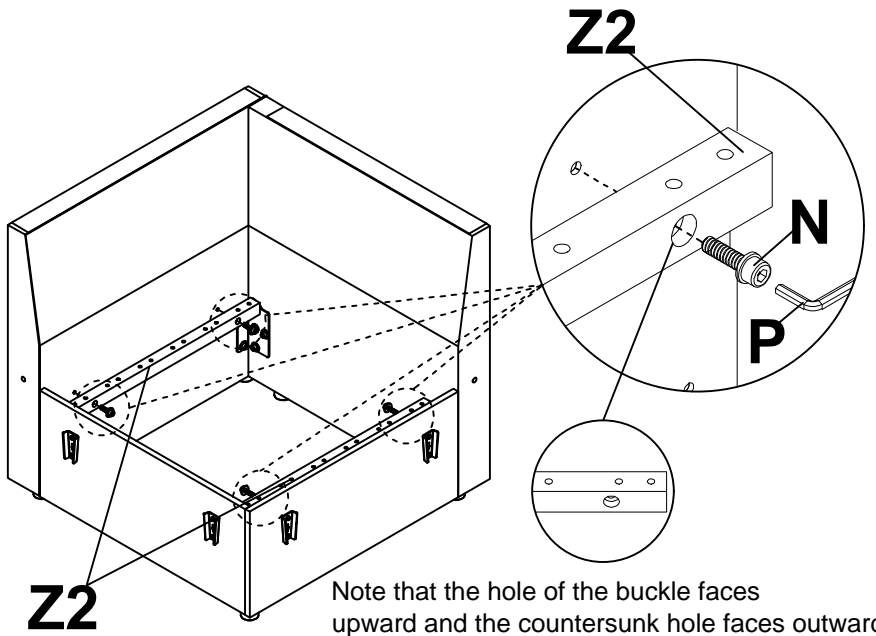
### STEP 6

First loosen the screws, install E3 and lock the screws



P x 1pc

### STEP 7



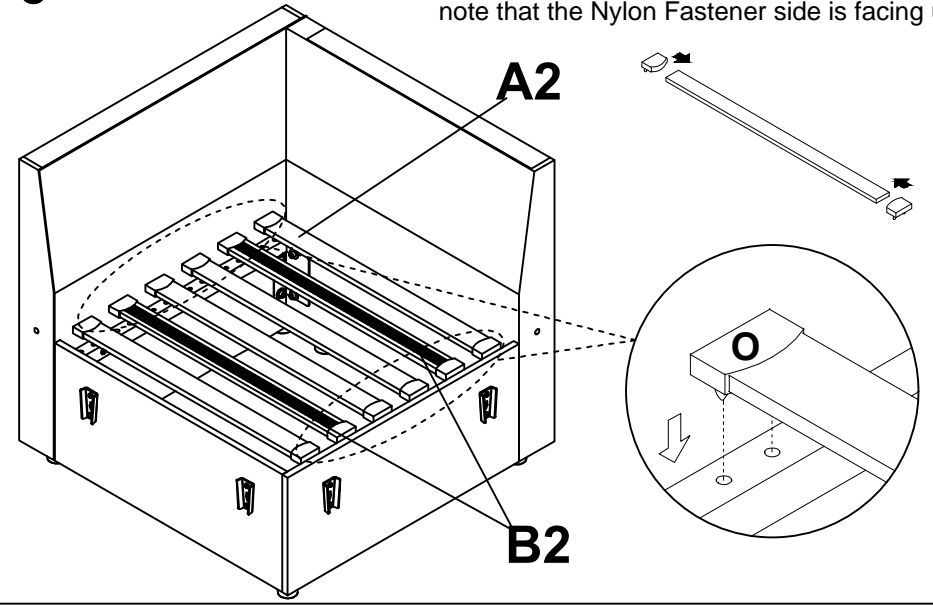
N x 4pcs  
M8X30mm

P x 1pc

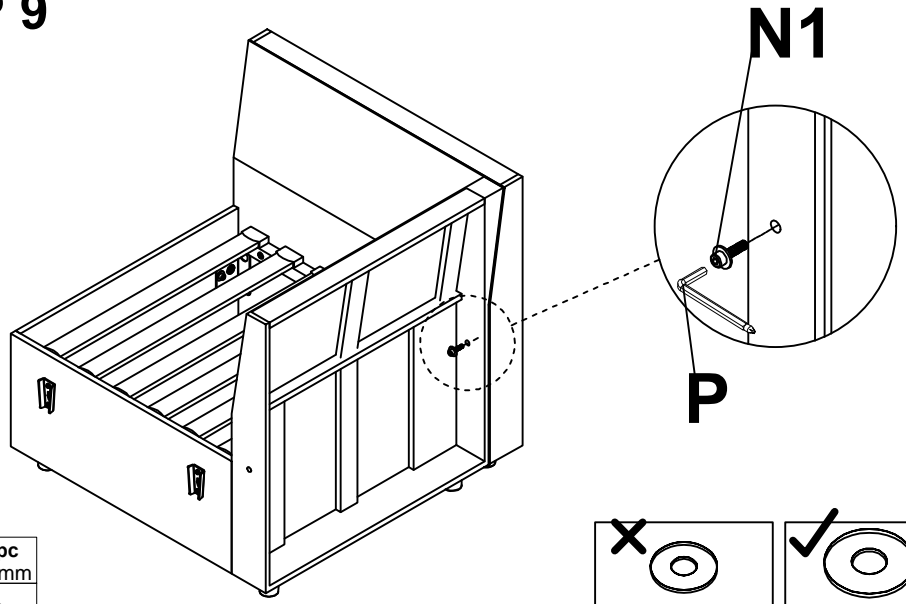
Note that the hole of the buckle faces upward and the countersunk hole faces outward



### STEP 8

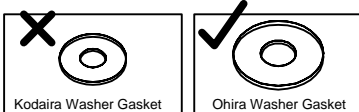
Place the B2 in the second position and note that the Nylon Fastener side is facing up



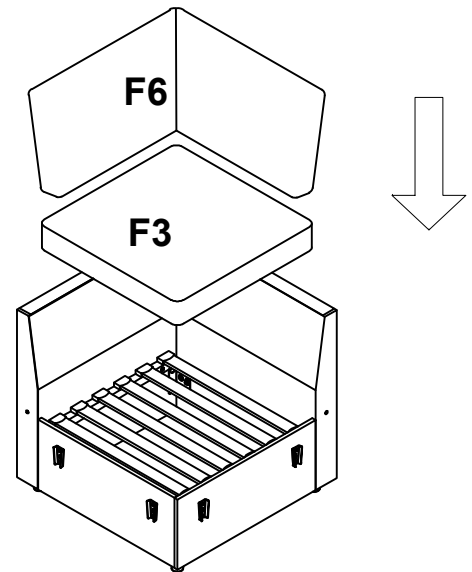
# STEP 9



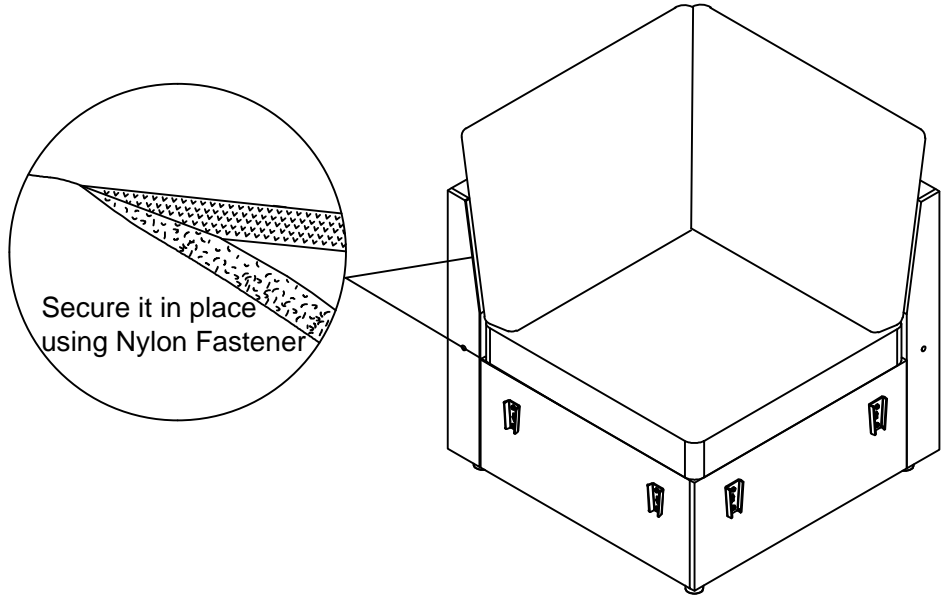
-  N1 x 1pc  
M8X45mm
-  P x 1pc



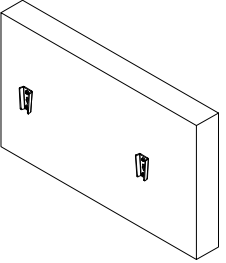
# STEP 10

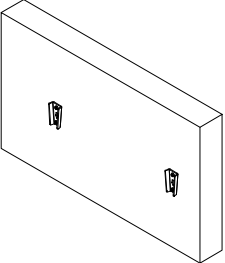


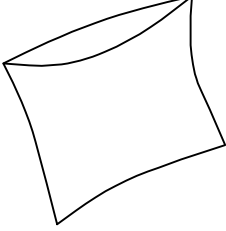
# STEP 11



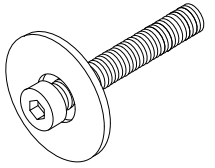
# Main Structure Accessories

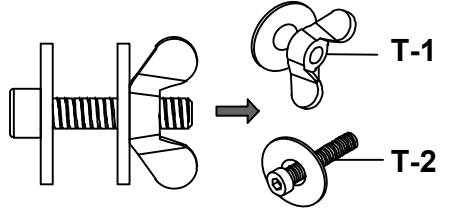
**(R1)** Left Armrest  
  
 1pc

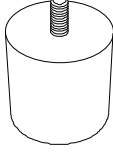
**(R2)** Right Armrest  
  
 1pc

**(F5)** Armrest Pillow  
  
 3pcs

# Hardware Parts

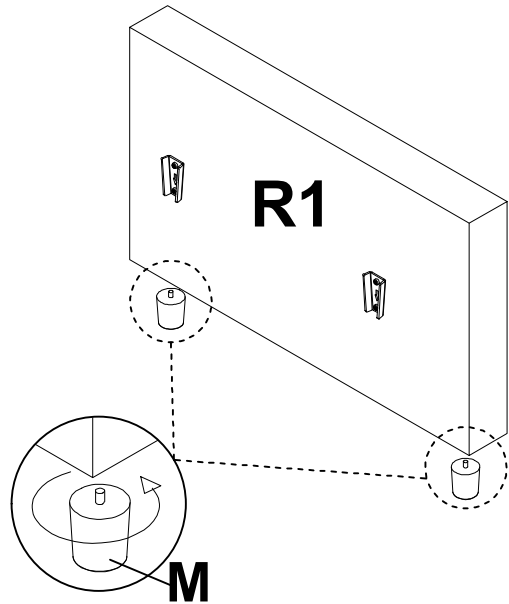
**(N1)** M8X45mm Bolt  
  
 2pcs

**(T)** M8X50mm Bolt  
  
 2pcs

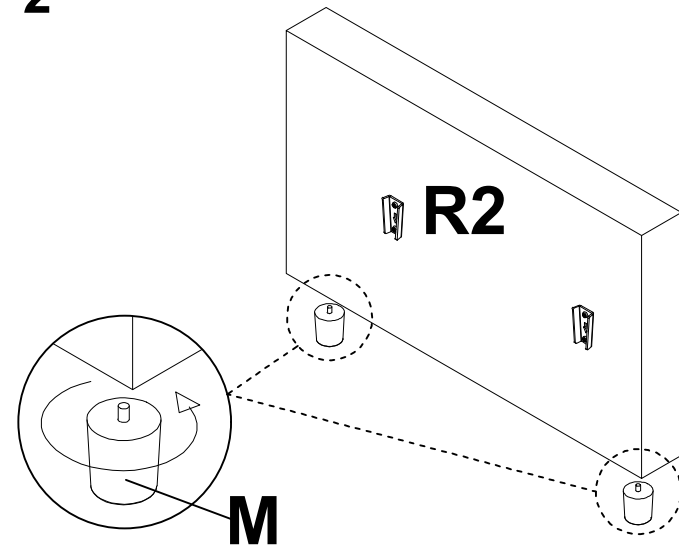
**(M)** Sofa legs  
  
 4pcs

# Plan A (When the TWO SEATS is on the right)

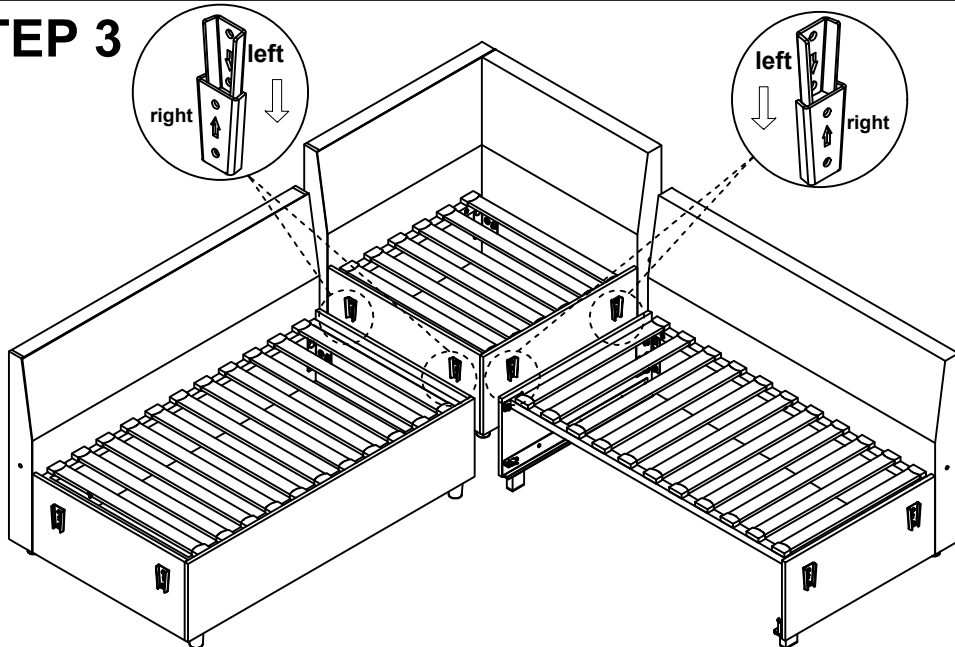
## STEP 1



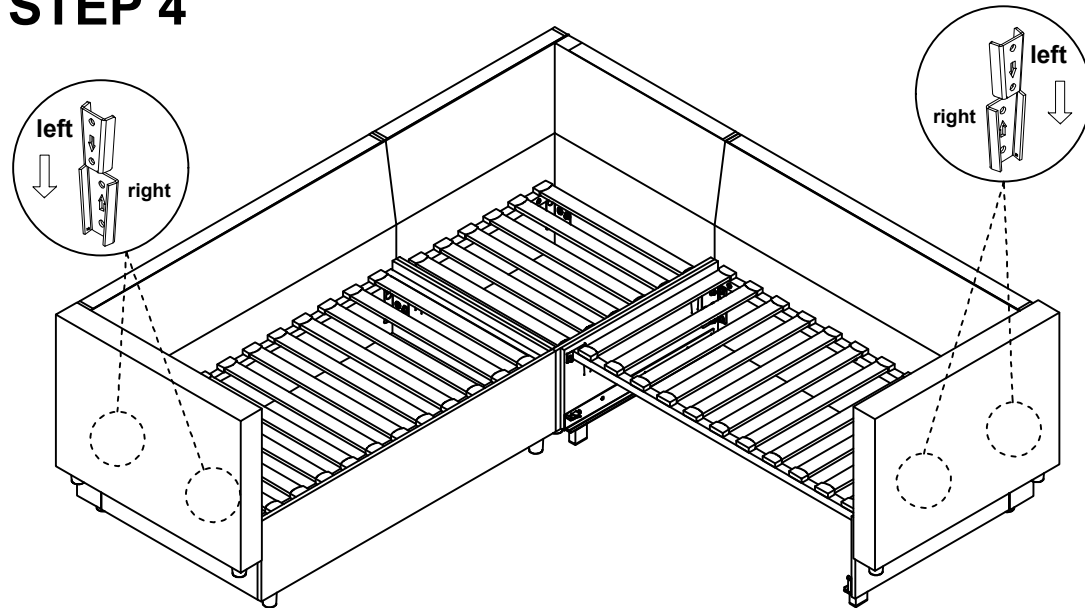
## STEP 2



## STEP 3

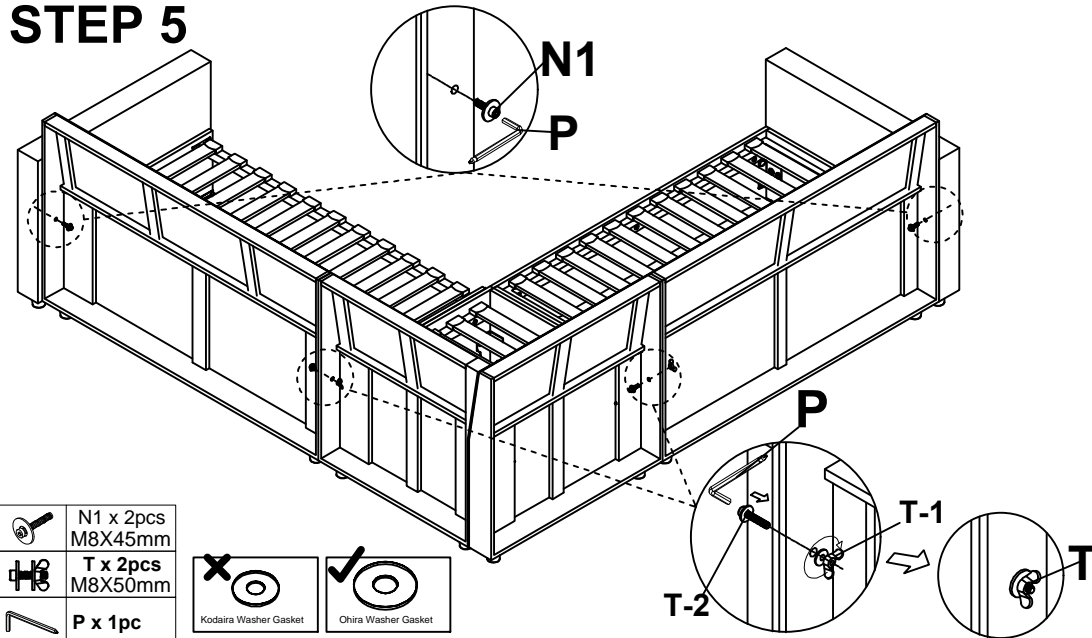


## STEP 4



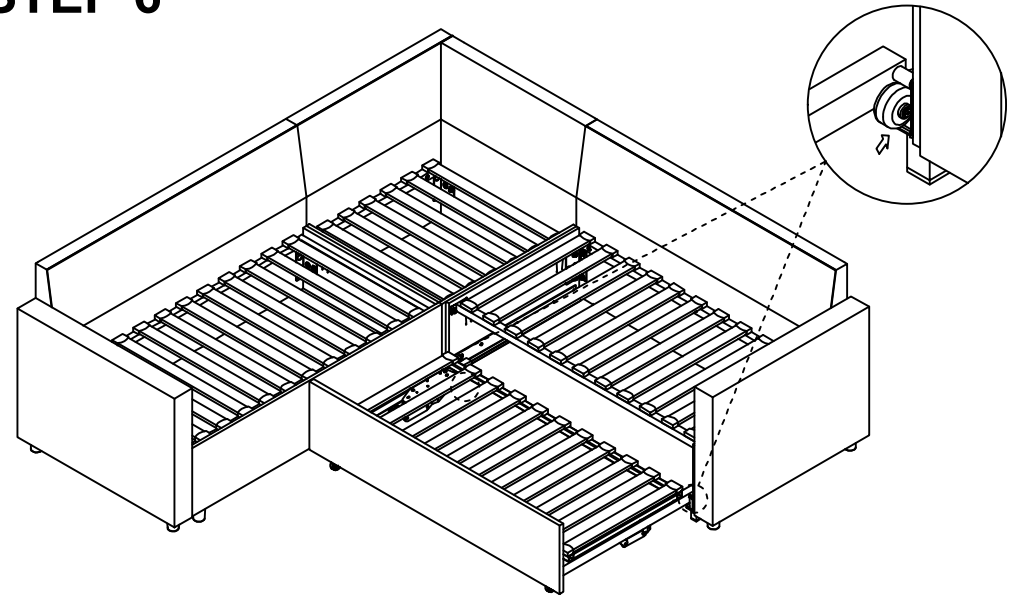
# Plan A (When the TWO SEATS is on the right)

## STEP 5

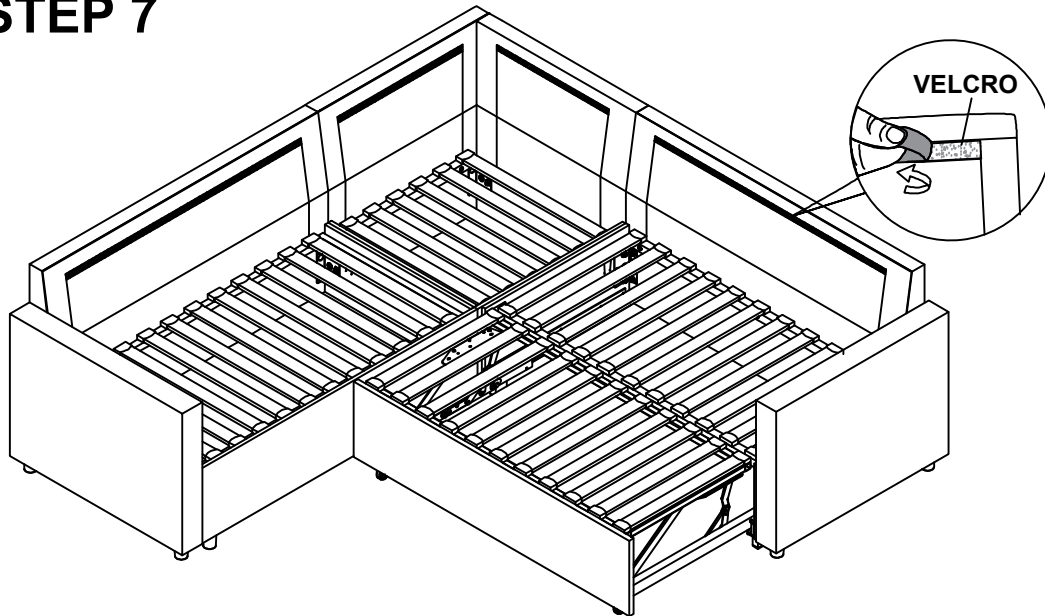


## STEP 6

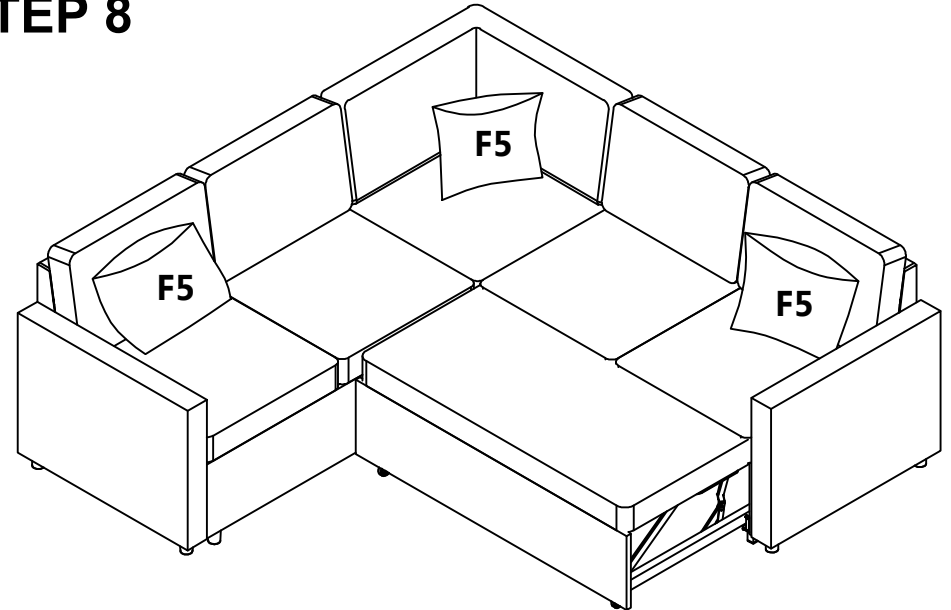
Lift it slightly and place it on the track.



## STEP 7

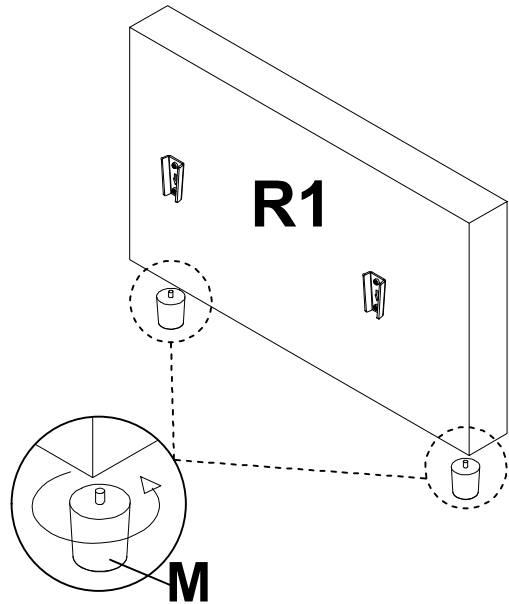


## STEP 8

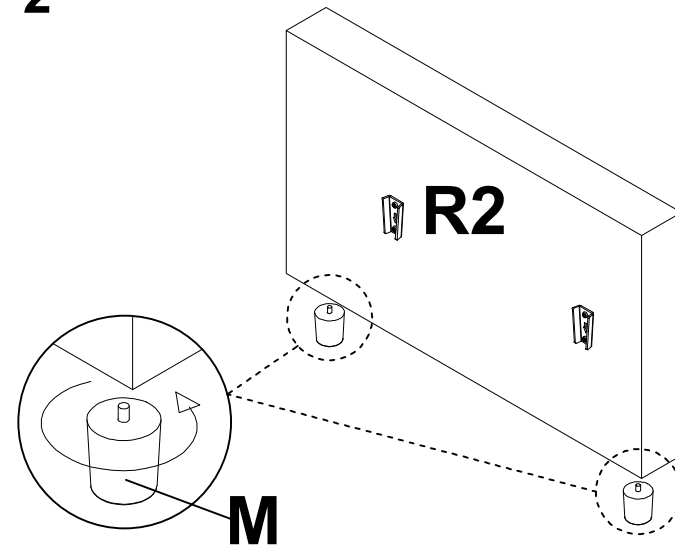


# Plan B (When the TWO SEATS is on the left)

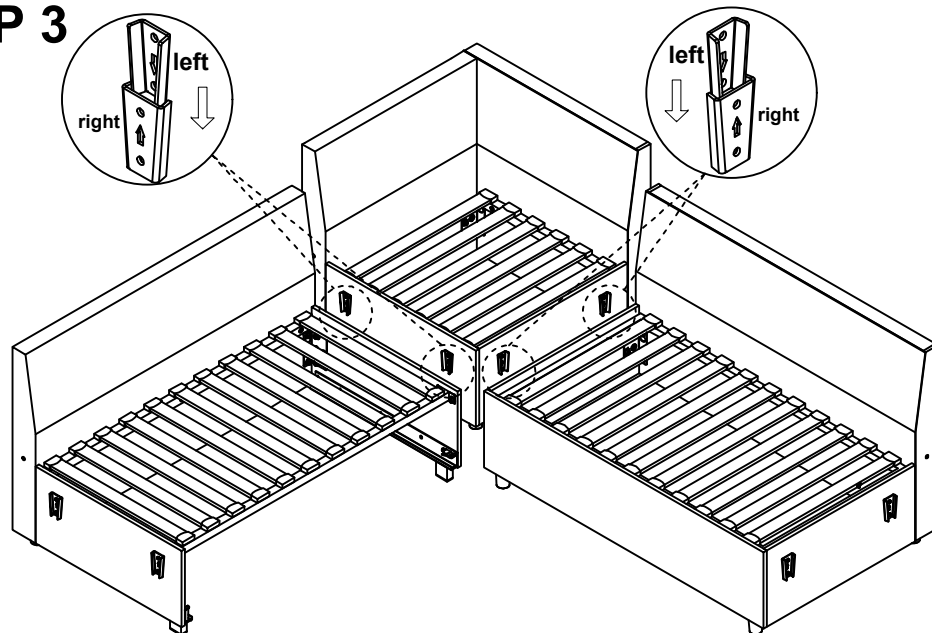
## STEP 1



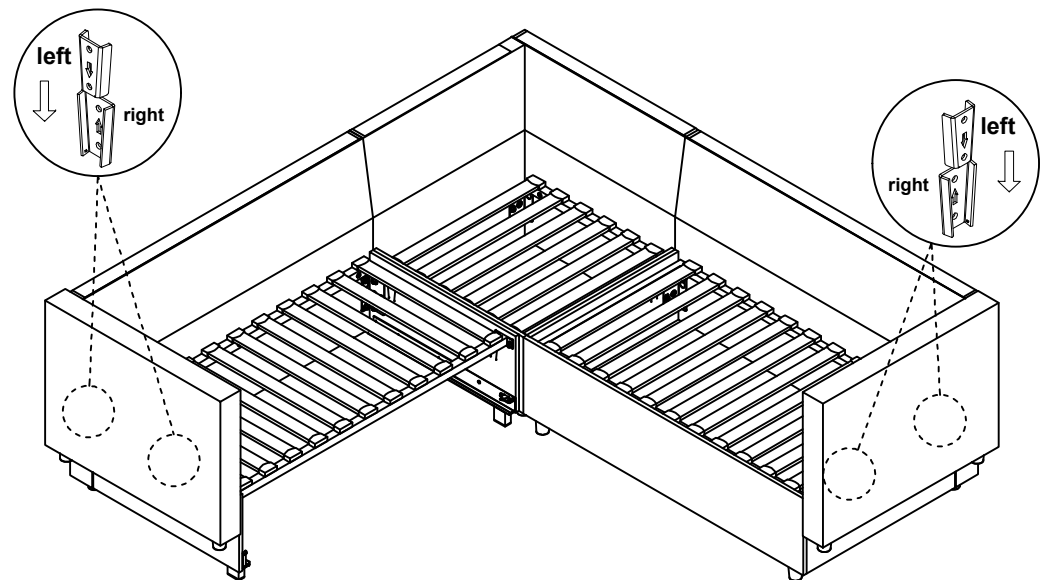
## STEP 2



## STEP 3

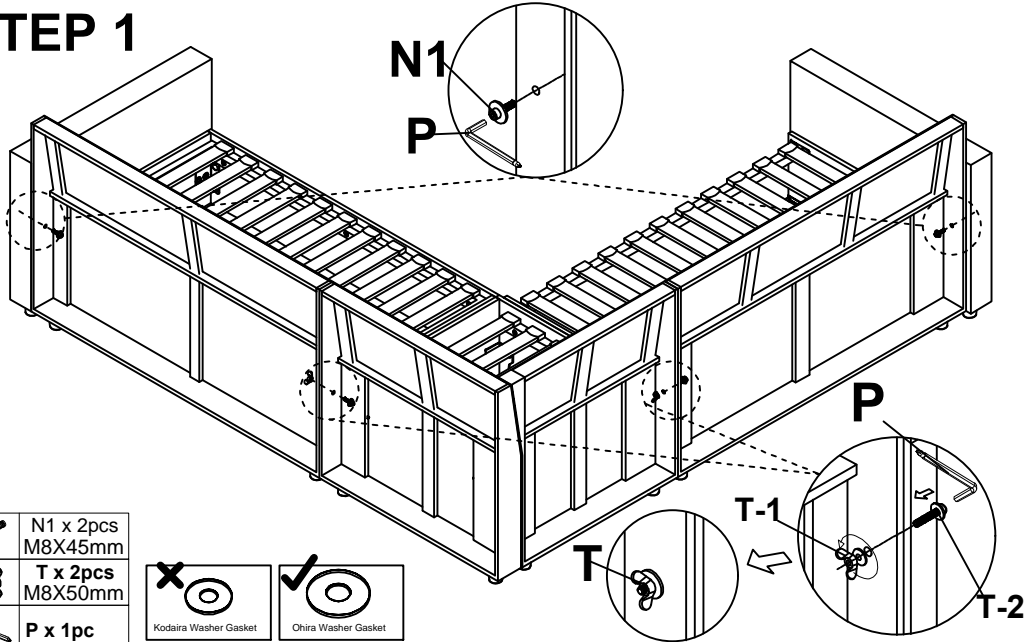


## STEP 4



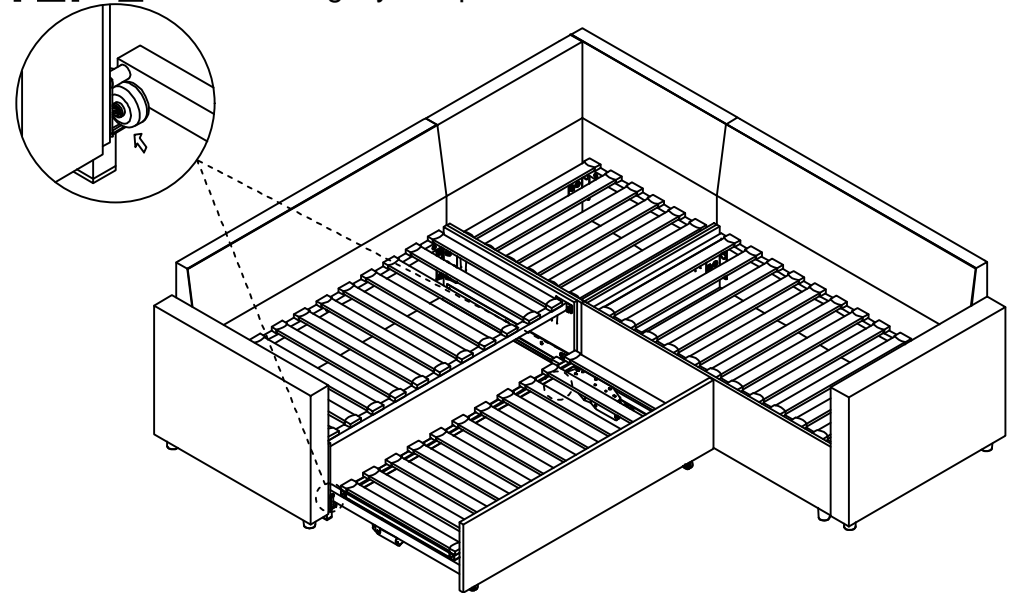
# Plan B (When the TWO SEATS is on the left)

## STEP 1

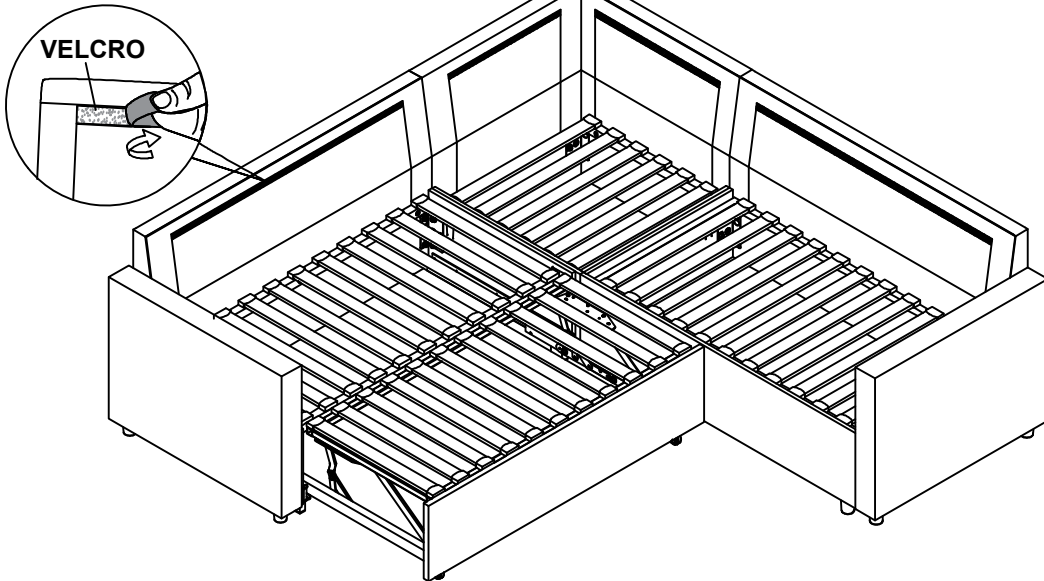


## STEP 2

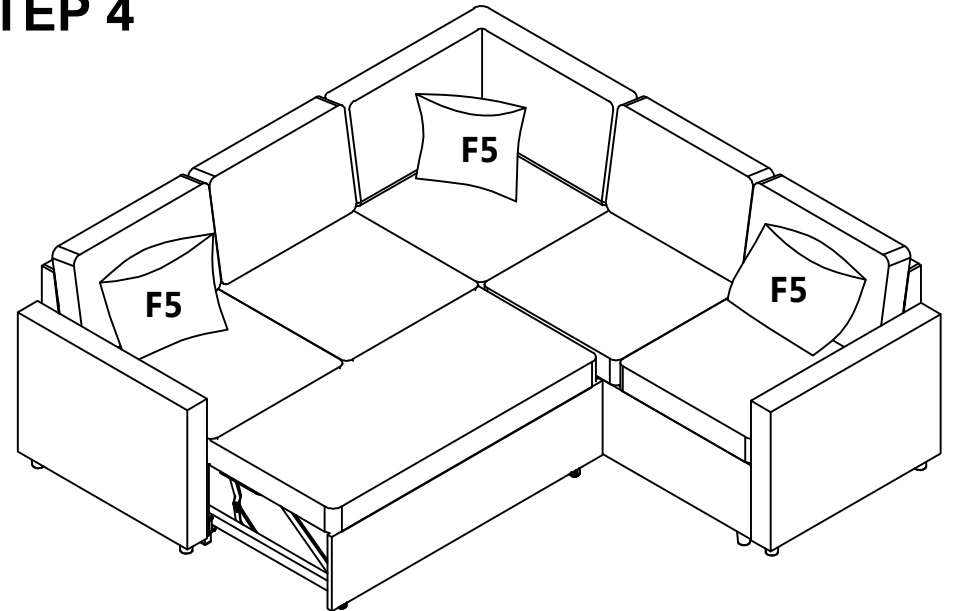
Lift it slightly and place it on the track.

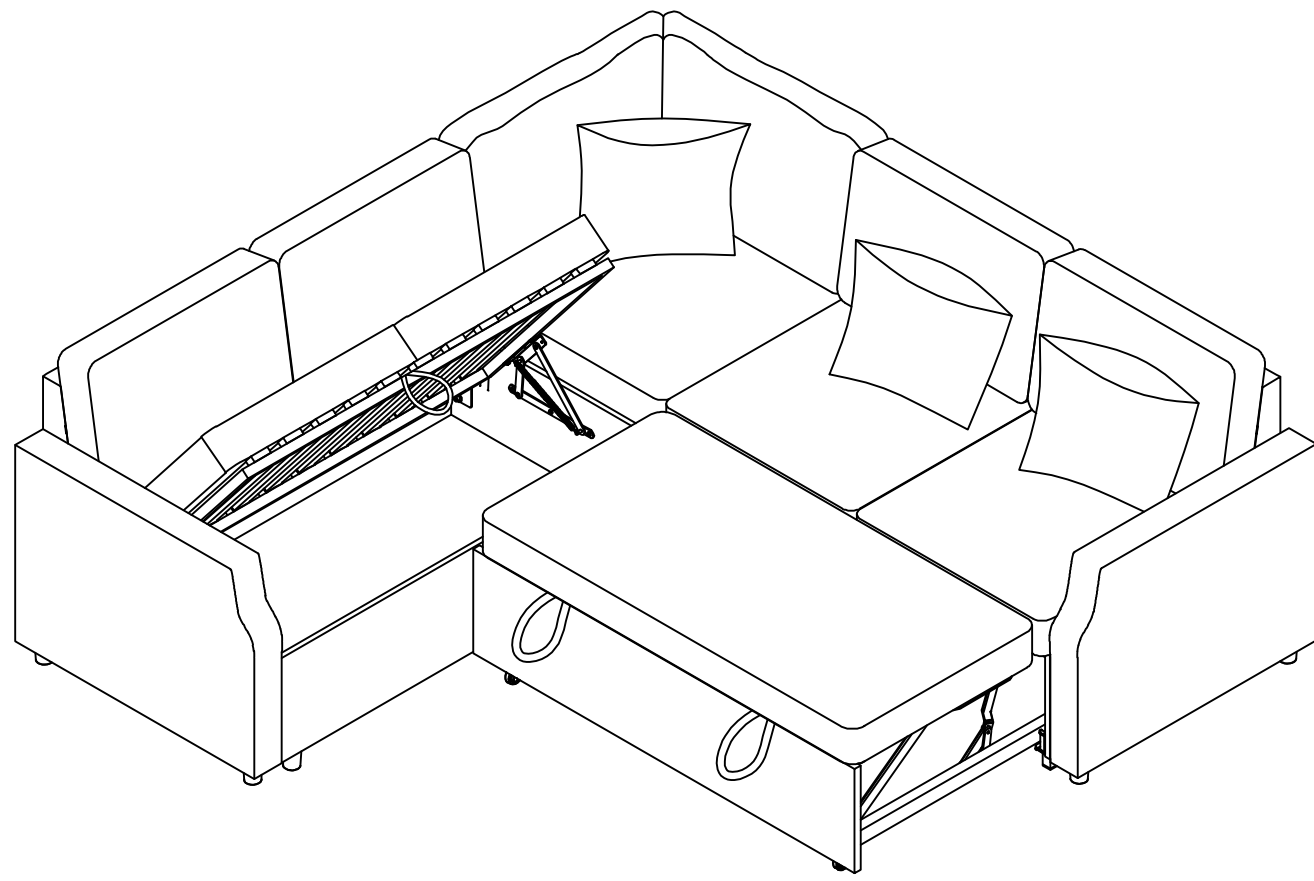


## STEP 3



## STEP 4





finished product display