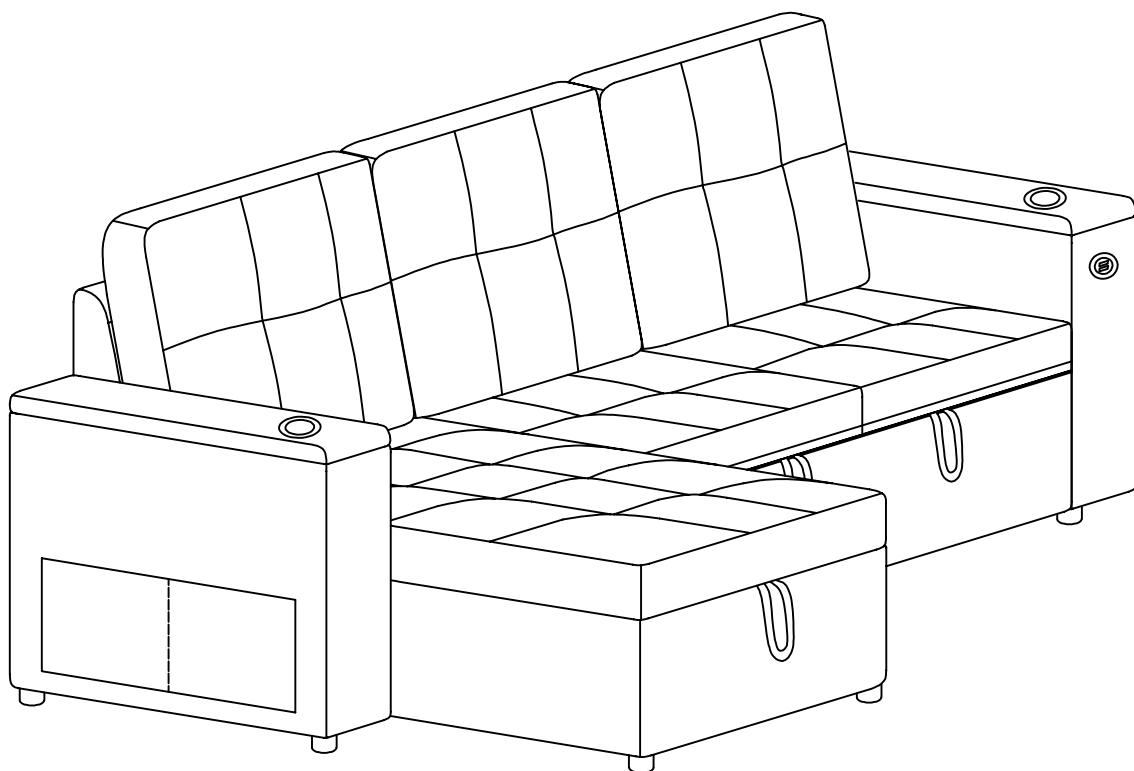


SOFA

Assembly Instruction

SKU:1006060087B/1006060088B/1006060089B
/1006060090B/



▲ NOTE:

The production with TWO PACKAGES, come with TWO TRACKINGS, may not be delivered at the same time.

Any question please feel free to contact us:

support@merluxyhome.com
TEL:901-347-2181

We will provide further assistance within 24 hours.



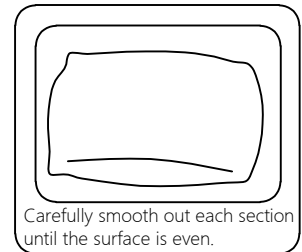
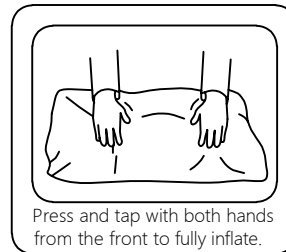
Safety and care advice

Important—Please read these instructions fully before starting assembly

Thanks for your purchase. Before the assembly please follow the instructions to check if all the spare parts and screws are intact.

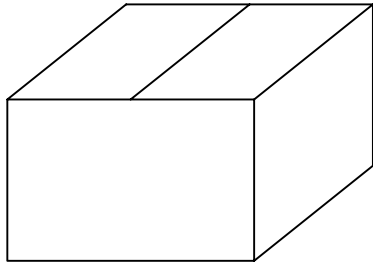
- Considering the size and weight of the sofa, we recommend two adults to assemble the sofa, on a carpeted or padded area, in the room that it is intended for. Approximate assembly time: 30 minutes.
- Please do not throw away any of the packaging or the instruction until you have checked all the components and hardware and the furniture is fully assembled. Please ensure that the packaging is disposed in a safe and environmentally friendly way.
- Keep all components and packaging out of reach of children or animals to avoid the risk of choking or suffocation.
- Please do not take off the cover, and do not wash.

Your cushions come vacuum packed and sealed for shipping. To restore the cushion's original shape, follow the steps below.




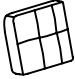
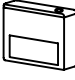



After packing up, place them in somewhere dry and ventilated. After about 72-96 hours, it can be restored to the best use condition.







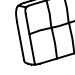
BOX1





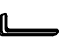
CHAISE PART

①		Sofa leg	x6
②		Knob Bolt	x3
③		Latch	x2
A-1		Backrest	x1
A-6		Armrest(L)	x1
A-3		Chaise Frame	x1

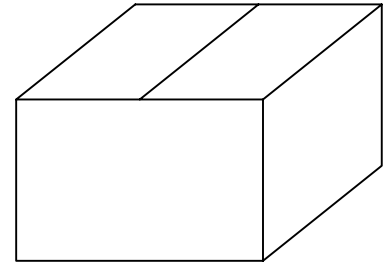
TWO SEATS PART

①		Sofa leg	x2
③		Latch	x2
④		Connector	x2
a		6*30 Bolts	x2
b		screw	x4
c		Washer	x2
B-4		Backrest	x2



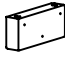
MATTRESS PART

c		Washer	x4
e		6*16 Bolts	x4
d		Allen key	x1






BOX2





CHAISE PART

A-2		Chaise Back Frame	x1
A-4		Chaise Cushion	x1
A-5		Chaise Back Frame Holder	x1

TWO SEATS PART

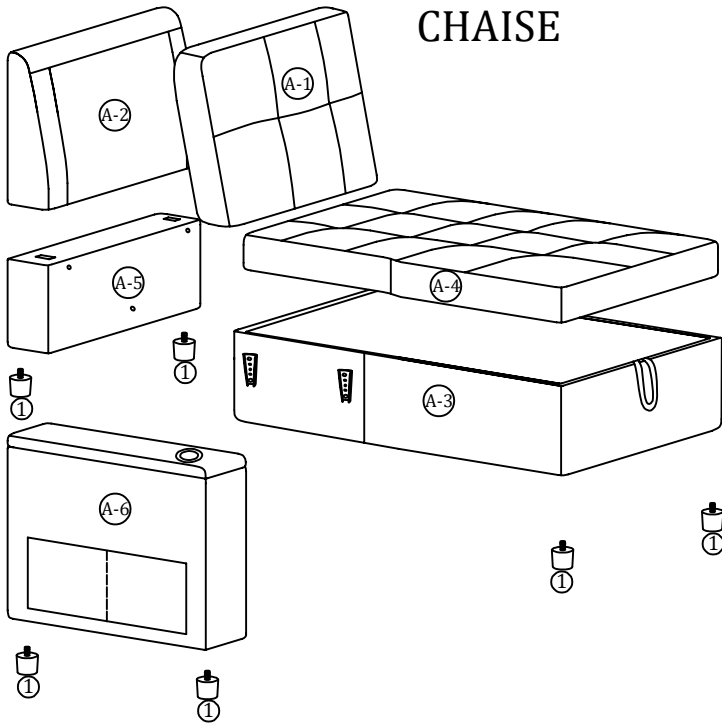
B-3		Two-seat Frame	x1
B-5		Two-seat Cushion	x2
B-6		Two-seat Back Frame	x1
B-7		Pull-out Sofa Cushion	x1
B-8		Armrest(R)	x1

MATTRESS PART

B-1		Pull-out Sofa Frame	x1
B-2		Pull-out Sofa Seat Frame	x1

Assembly Instruction of Sofa

CHAISE



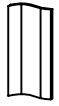
Structural accessories



① 6PCS
Sofa leg

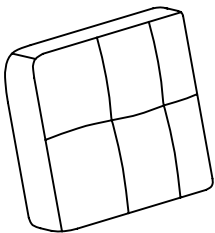


② 3PCS
Knob Bolt

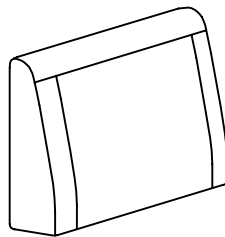


③ 2PCS
Latch

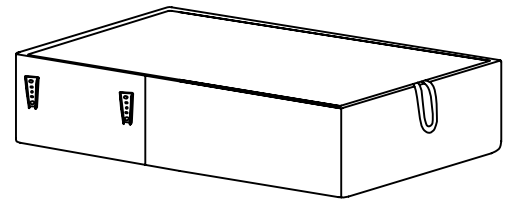
Main structure accessories



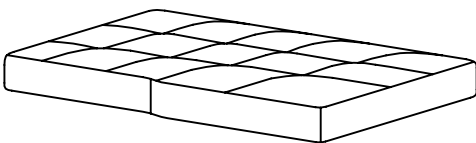
① A-1 1pc
Backrest



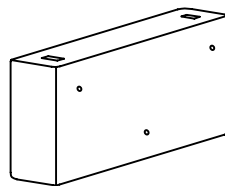
① A-2 1pc
Chaise Back Frame



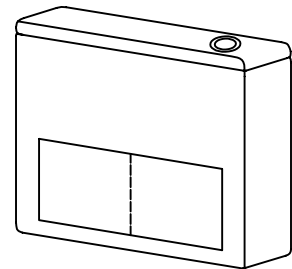
① A-3 1pc
Chaise Frame



① A-4 1pc
Chaise Cushion



① A-5 1pc
Chaise Back Frame Holder

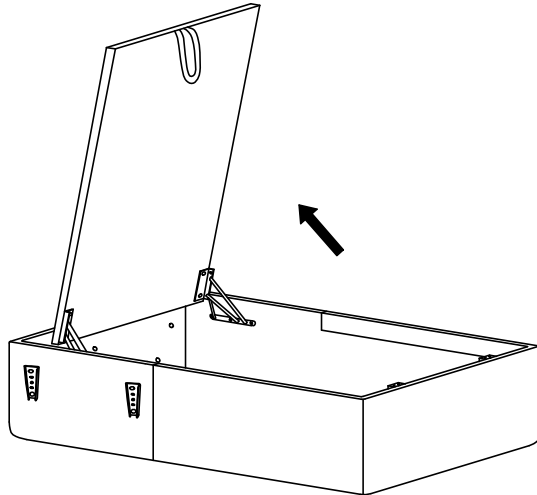


① A-6 1pc
Armrest(L)

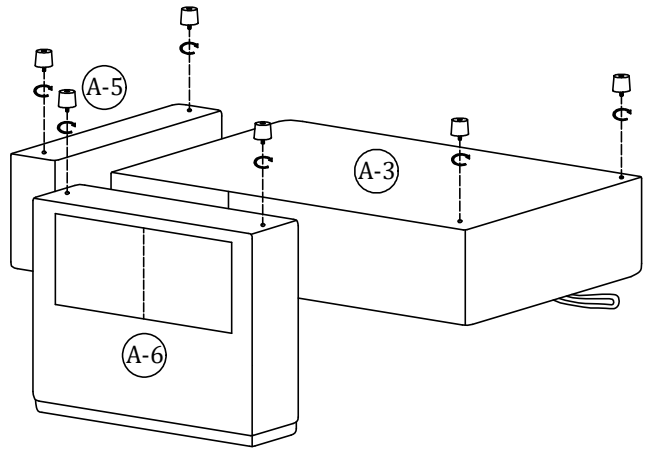
Assembly Instruction of Sofa

Step 1

Open the lid
and remove
the accessories.

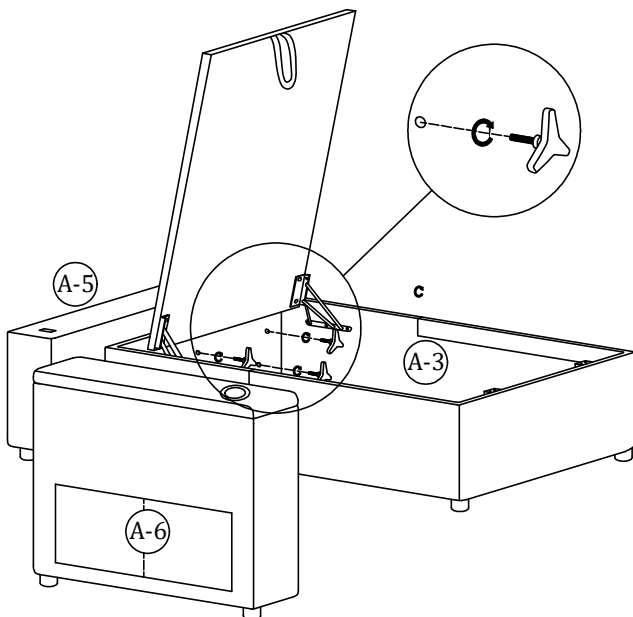


Step 2



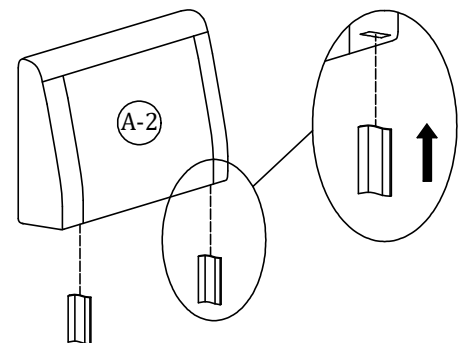
①  x6

Step 3



②  x3

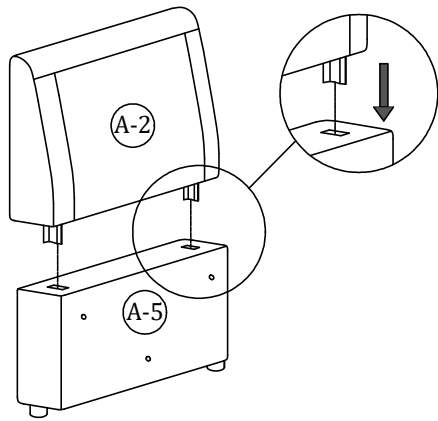
Step 4



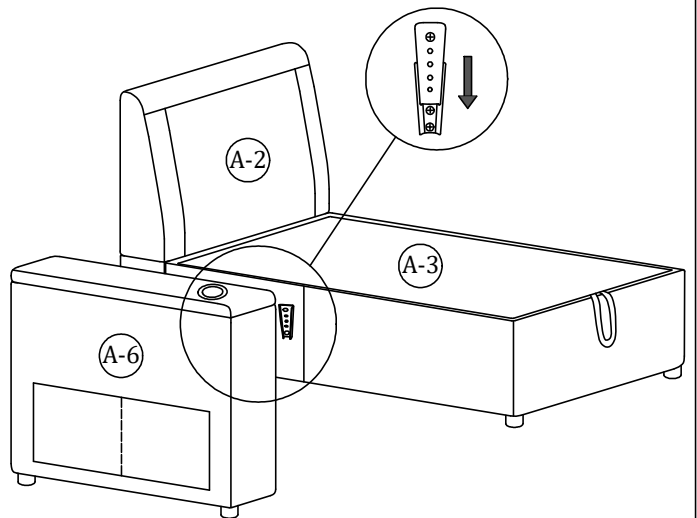
③  x2

Assembly Instruction of Sofa

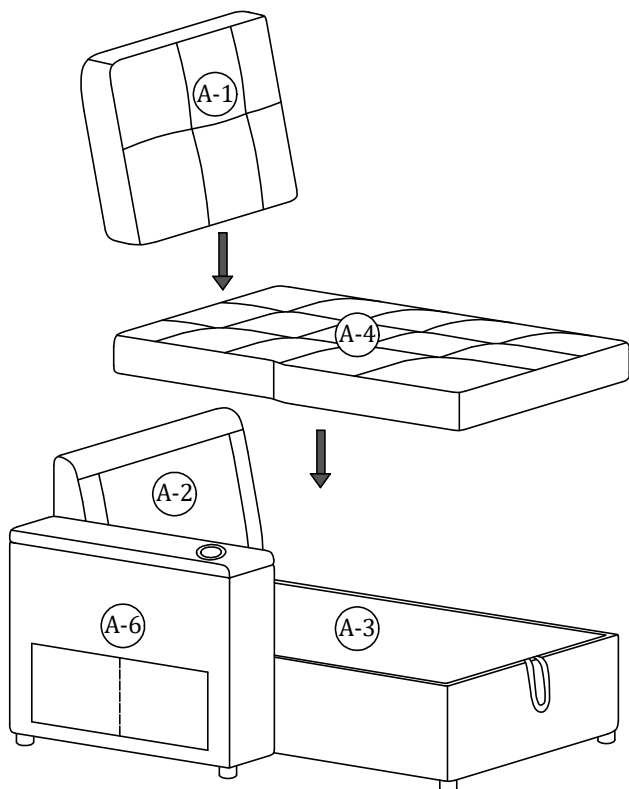
Step 5



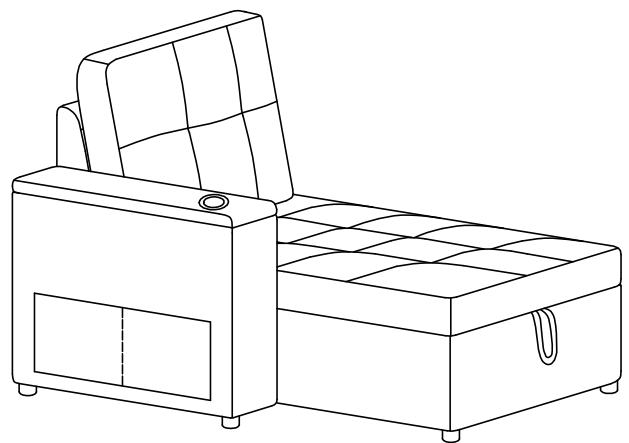
Step 6



Step 7

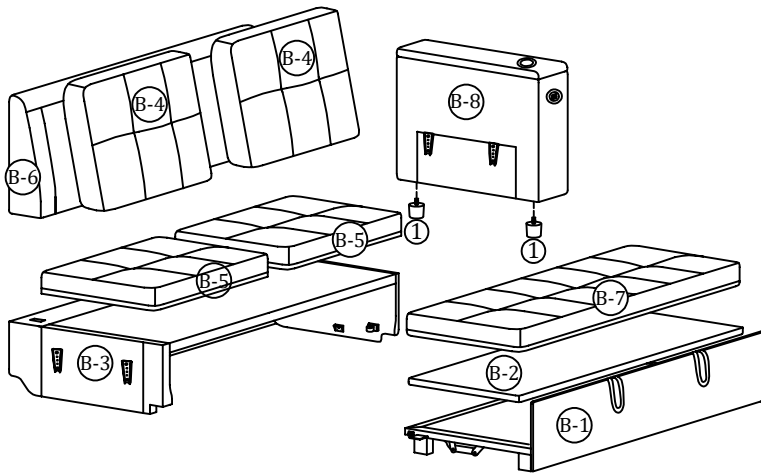


Step 8



Assembly Instruction of Sofa

TWO SEATS+MATTRESS



Hardware parts



M6*30
② 2PCS
Bolts



M4*16
④ 4PCS
screw



M6*18
⑥ 6PCS
Washer



M4
① 1PC
Allen key

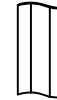


M6*16
④ 4PCS
Bolts

Structural accessories



① 2PCS
Sofa leg



③ 2PCS
Latch

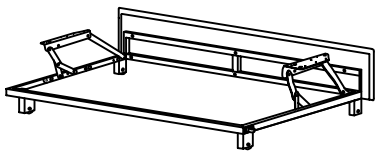


④ 2PCS
Connector

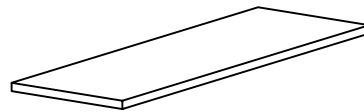


⑤ 1PC
Charger

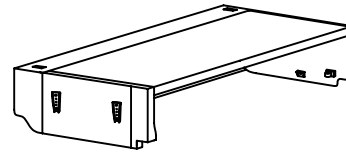
Main structure accessories



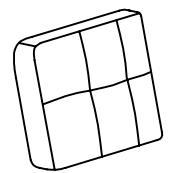
① 1pc
Pull-out Sofa Frame



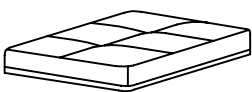
② 1pc
Pull-out Sofa Seat Frame



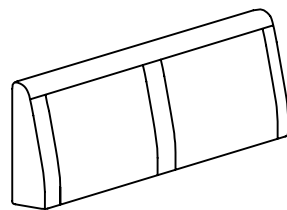
③ 1pc
Two-seat Frame



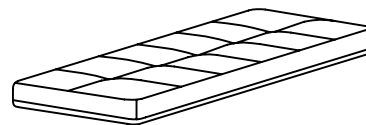
④ 2pcs
Backrest



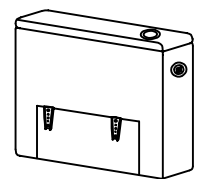
⑤ 2pcs
Two-seat Cushion



⑥ 1pc
Two-seat Back Frame



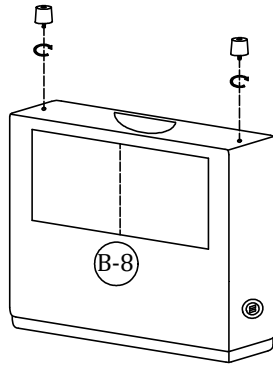
⑦ 1pc
Pull-out Sofa Cushion



⑧ 1pc
Armrest(R)

Assembly Instruction of Sofa

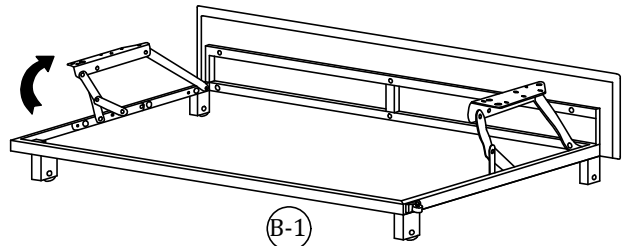
Step 1



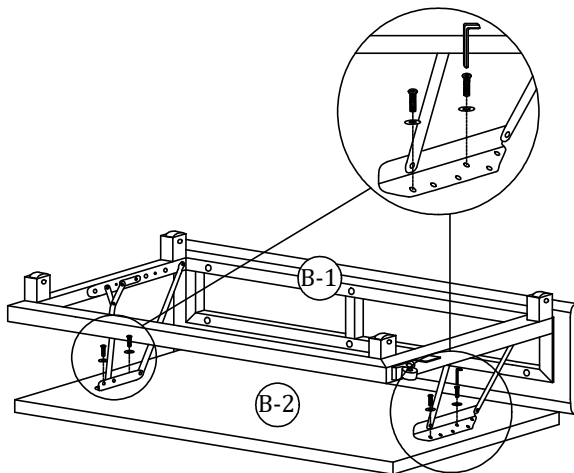
①  x2

Step 2


Raise the movable stand.




Step 3

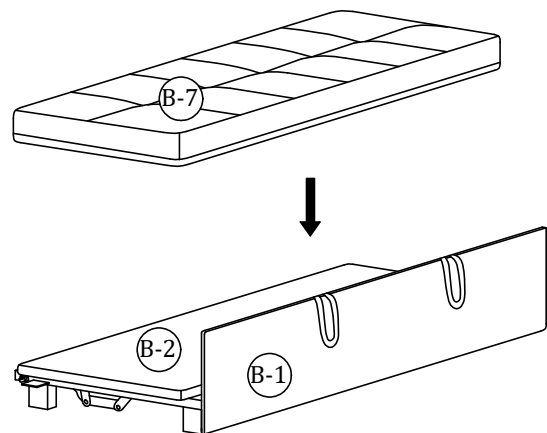


d  x1

c  M6*18 x4

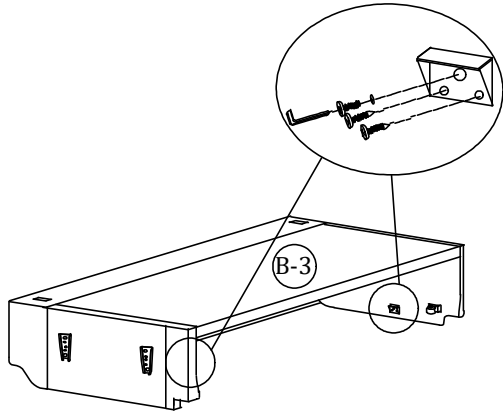
e  M6*16 x4

Step 4



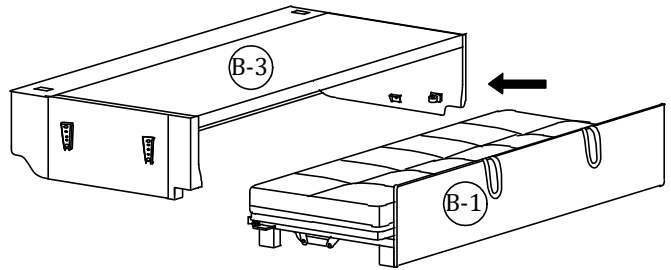
Assembly Instruction of Sofa

Step 5



Step 6

Lift it up slightly and place it on the track.



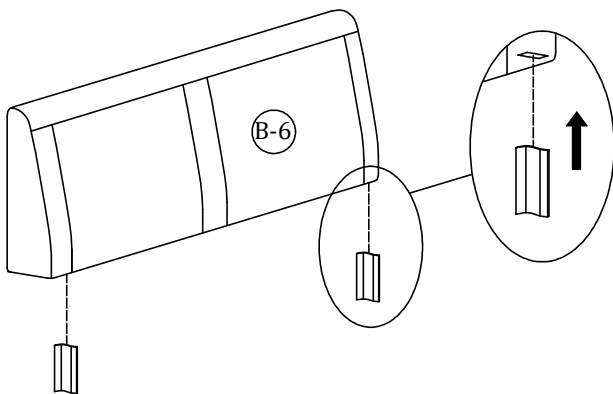
Ⓒ Ⓞ M6*18 x2

Ⓐ Ⓞ M6*30 x2

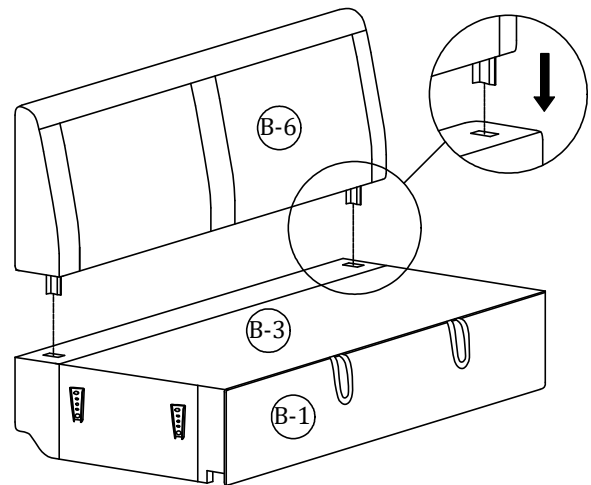
④ Ⓞ x2

Ⓑ Ⓞ M4*16 x4

Step 7



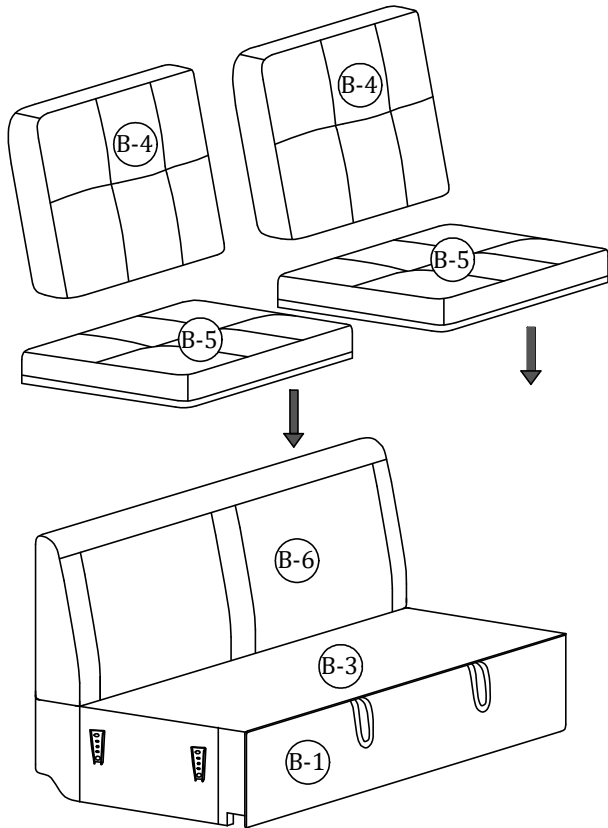
Step 8



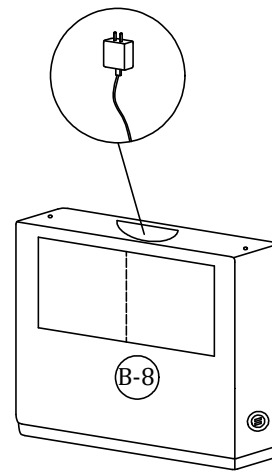
③ Ⓞ x2

Assembly Instruction of Sofa

Step 9

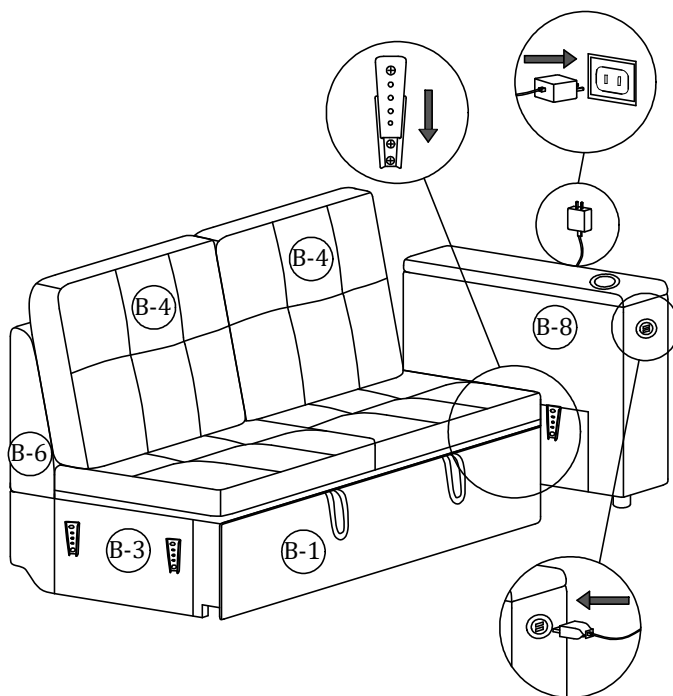



Step 10



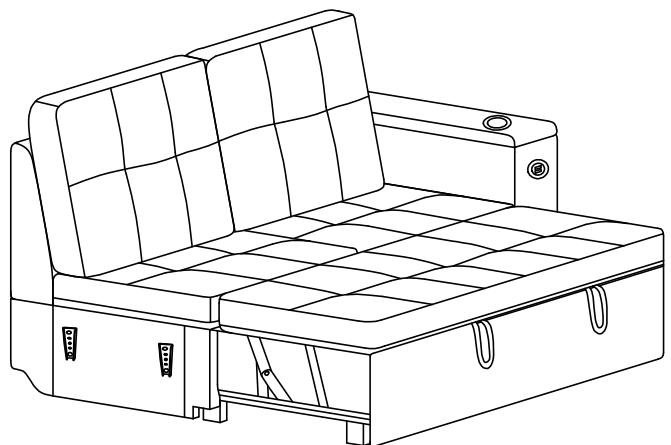
⑤  x1

Step 11

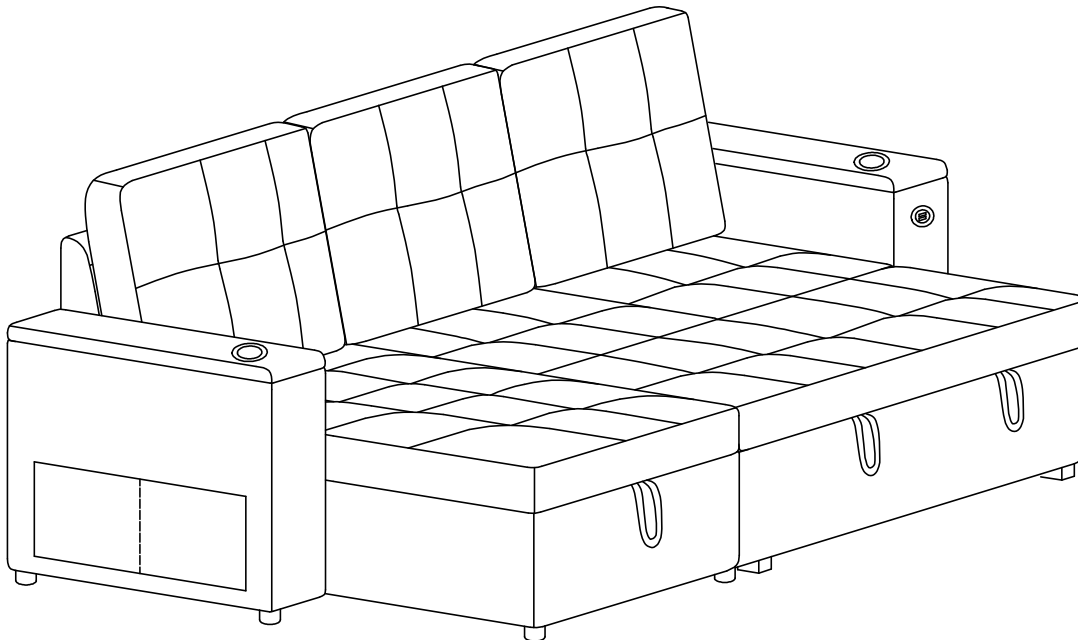
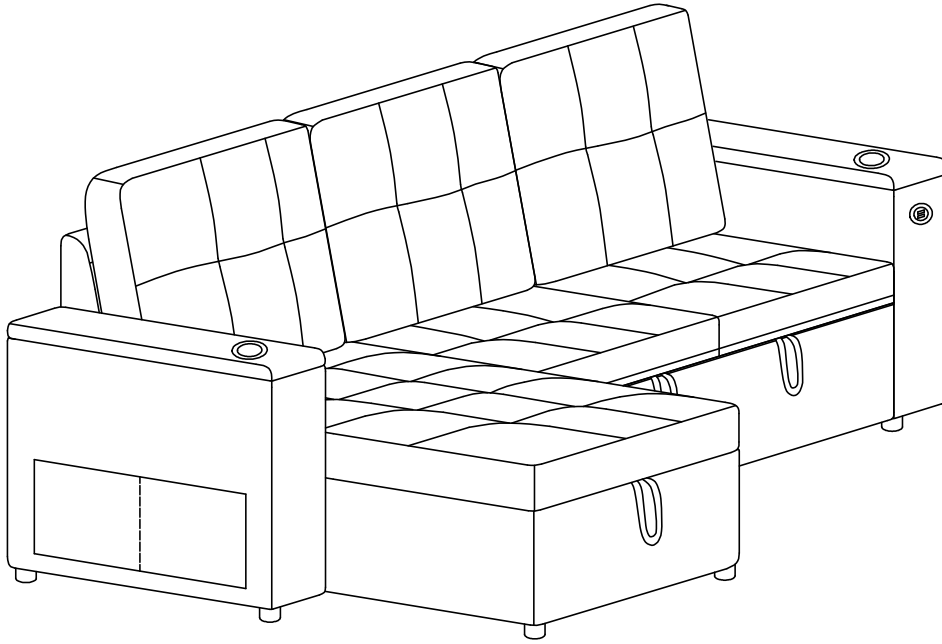


⑤  x1

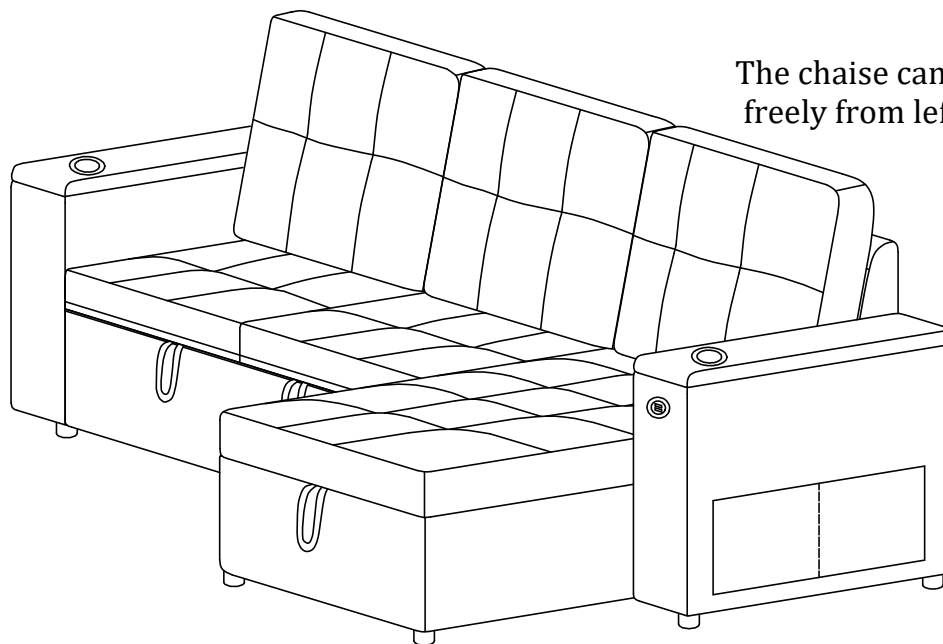
Step 12



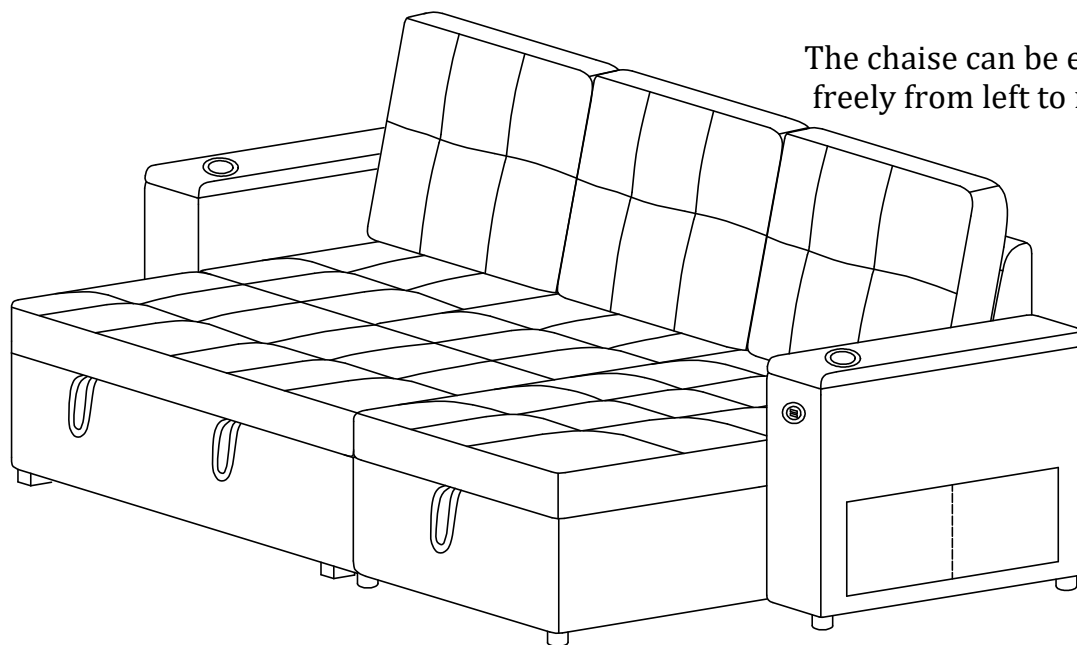
Assembly Instruction of Combination



Assembly Instruction of Combination



The chaise can be exchanged freely from left to right.



The chaise can be exchanged freely from left to right.