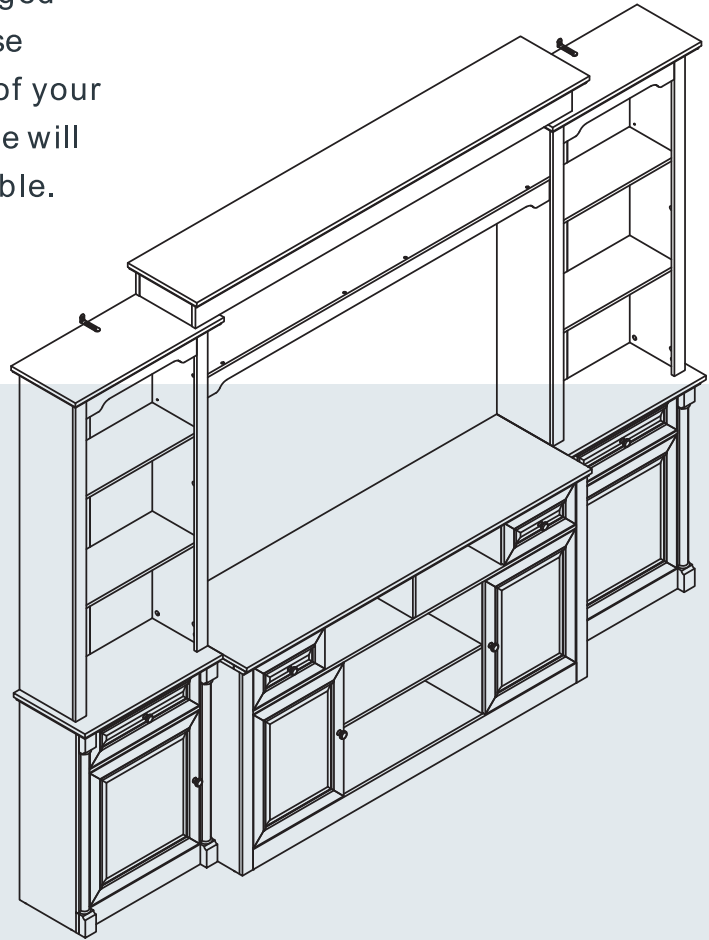


# Entertainment Center

Assembly Instruction - Please keep properly for future reference.

If you find any missing boxes, damaged parts, or accessory shortages, please contact the customer service team of your purchasing channel immediately. We will resolve the issue as quickly as possible.



Arrive in 2 separate boxes and may not be part of the same shipment. Please install the product after receiving all the packages.

## Dimensions

Width - 102.8 inch

Depth - 15.8 inch

Height - 83 inch

EN

## CONTACT US

- **Email: [service@grandtunnel.com](mailto:service@grandtunnel.com)**

In order to receive assistance more quickly, please provide

## THE FOLLOWING INFORMATION:

- Order number
- Purchase platform
- Purchase date
- Detailed description of the issue along with photos (if applicable)

**Important** – Please read these instructions carefully before starting the installation.

# Before Assembly



Thank you for choosing our product!

To ensure a smooth installation process, please read this guide carefully to familiarize yourself with the required tools, materials, and installation steps. Follow the relevant sections to avoid any damage caused by improper installation, and make sure to review all operation and safety guidelines for correct installation procedures.

## Packaging Notice:

If you find any missing boxes, damaged parts, or accessory shortages, please contact the customer service team of your purchasing channel immediately. We will resolve the issue as quickly as possible.

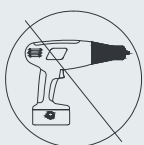
# Safety and Care Advice



## Important :

Please read these instructions fully before starting assembly.

- . Check you have all the components and tools listed on the following pages.
- . Remove all fittings from the plastic bags and separate them into their groups.
- . Keep children and animals away from the work area, small parts could choke if swallowed.
- . Make sure you have enough space to layout the parts before starting.
- . During assembly do not stand or put weight on the product, this could cause damage.
- . Assemble the item as close to its final position (in the same room) as possible.
- . Assemble on a soft level surface to avoid damaging the unit or your floor.
- . Parts of the assembly will be easier with 2 people.



- . To reduce the likelihood of damaging your product please ensure that your power drill is set on a low torque setting.

## Care and maintenance

- . Only clean using a damp cloth and mild detergent, do not use bleach or abrasive cleaners.
- . From time to time check that there are no loose screws on this unit.
- . This product should not be discarded with household waste. Take to your local authority waste disposal center.

## Handy Hints

- . Assemble all parts and bolts loosely during assembly, only once the product is complete should you fully tighten the bolts.
- . Regularly check and ensure that all bolts and fittings are tightened properly.

## Warning

### **In order to help prevent overturning, please follow these instructions.**

- . Use the anti tip strap or wall fixing method provided (if applicable).
- . Do not allow children to climb or hang on the furniture.
- . Do not open more than one drawer at a time.
- . Do not place heavy items in the top drawers.
- . Do not place heavy items on top of the furniture, unless the furniture has been designed for this purpose.
- . Please note that only the anti tip strap is provided. You will need to provide wall plugs and screws applicable for your wall type.

# Customer Service Guide



Thank you for choosing our product! We are committed to providing you with excellent service. If you find any missing parts, damaged packaging, or product damage after receiving all packages, please follow the steps below to quickly contact our customer service team. We will do our best to resolve your issue.

## 1. Missing Parts

### Verify Parts:

1. Refer to the "Parts List" in the manual to verify the name, specifications, and quantity of the missing parts.
2. Take a clear photo of the parts list and mark the missing parts with detailed information, e.g., "Missing 5 pieces of M6×30mm screws."

### Contact Us:

#### By Email:

Send an email to [service@grandtunnel.com](mailto:service@grandtunnel.com), with the subject line "Missing Parts Issue." Include the following in the email:

- . A description of the missing parts and a photo of the parts list.
- . Order details (order number, purchase platform, purchase date).

## 2. Product or Packaging Damage

### If it affects normal use:

#### Steps:

1. Take clear photos or videos showing the damaged parts and the extent of the damage (multi-angle shots are recommended).
2. Email the photos/videos along with order details to [service@grandtunnel.com](mailto:service@grandtunnel.com), with the subject line "Product Damage Issue."

#### Resolution:

After verification, we will arrange for a replacement part, product exchange, or refund as quickly as possible.

### **If it does not affect normal use:**

#### **Steps:**

1. Contact our customer service team (by email: [service@grandtunnel.com](mailto:service@grandtunnel.com) ).
2. Provide a description of the damage and include relevant photos or videos.

#### **Resolution:**

We will provide repair guidance or an appropriate compensation plan based on the specific situation.

### **Contact Us:**

Customer Service Email: [service@grandtunnel.com](mailto:service@grandtunnel.com)

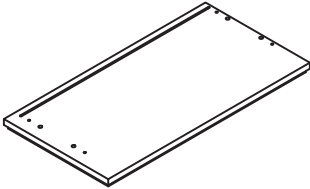
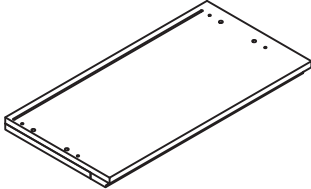
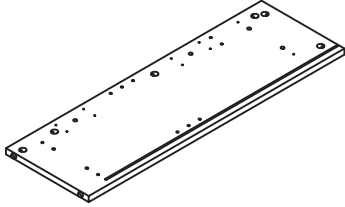
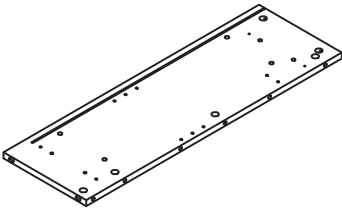
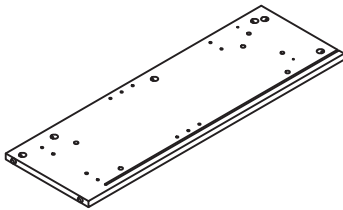
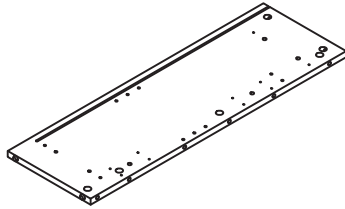
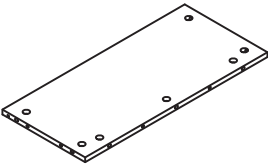
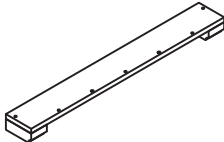
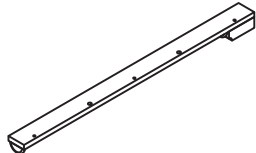
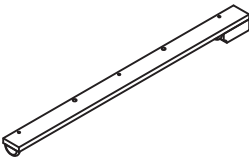
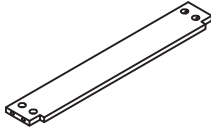
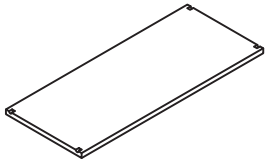
### **Helpful Tips**

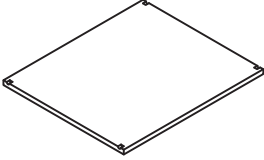
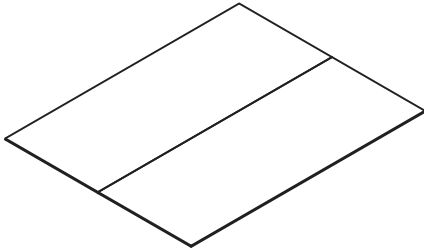
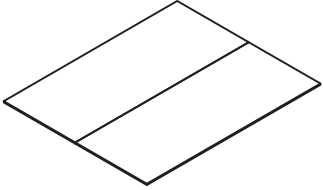
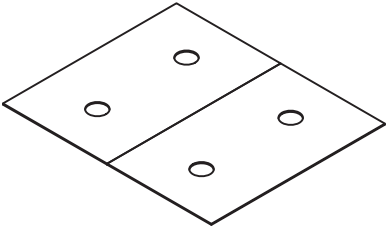
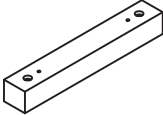
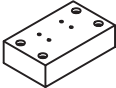
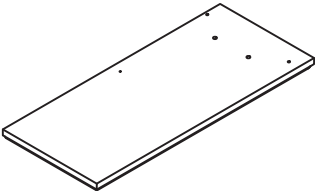
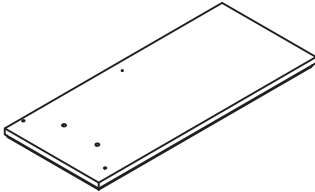
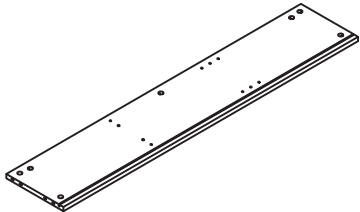
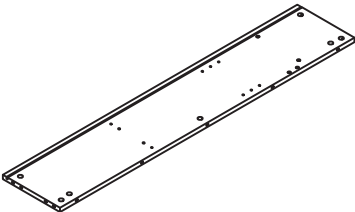
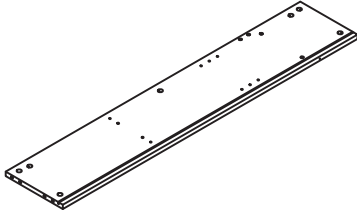
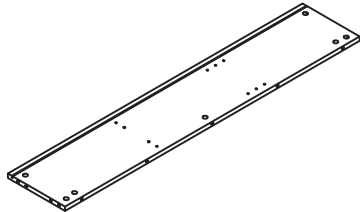
#### **To process your issue efficiently, please prepare the following information:**

- . Order details (order number, purchase platform, purchase date).
- . Clear photos or videos.
- . We are committed to providing quick and professional solutions, no matter the size of the issue, to ensure your satisfaction.

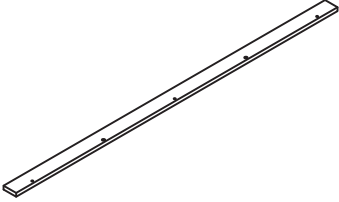
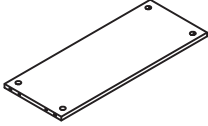
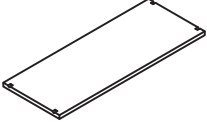
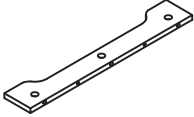
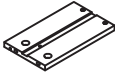
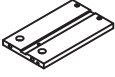
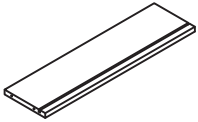
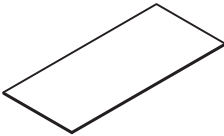
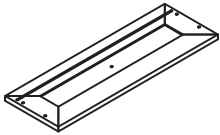
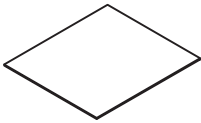
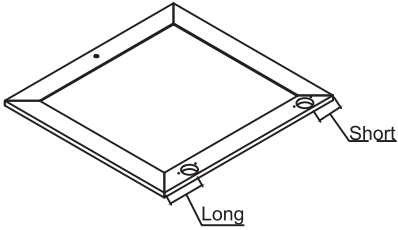
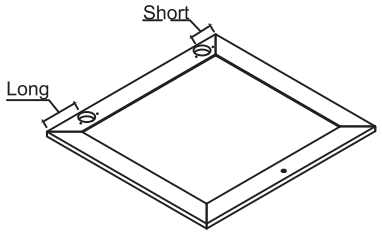
**Thank you for your trust and support!**  
**We hope you enjoy using our product!**

# BOARD IDENTIFICATION


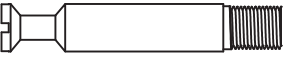


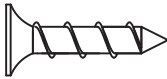
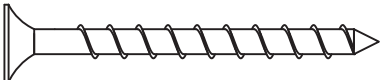
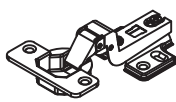
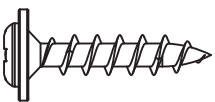


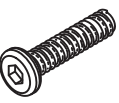
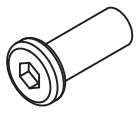
BOX 1		
		
① (580X300X30mm) X1	③ (580X300X30mm) X1	④ (735X238X15mm) X1
		
⑤ (735X238X15mm) X1	⑧ (735X238X15mm) X1	⑨ (735X238X15mm) X1
		
⑫ (524X238X12mm) X2	⑬ (555X73X39mm) X2	⑭ (662X45X39mm) X2
		
⑮ (662X45X39mm) X2	⑳ (524X80X12mm) X2	㉔ (522X218X12mm) X2

BOX 1		
		
②⑦ (401X346X12mm) X1	②⑨ (672X534X3mm) X2	③⑩ (499X411.5X3mm) X2
		
③① (499X599X3mm) X1	③③ (198X30X27mm) X4	③⑤ (100X60X27mm) X4
		
③⑦ (625X270X40mm) X1	③⑨ (625X270X40mm) X1	④⑩ (1155X224X15mm) X1
		
④① (1155X224X15mm) X1	④② (1155X224X15mm) X1	④③ (1155X224X15mm) X1

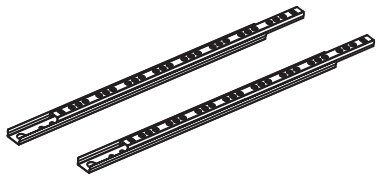
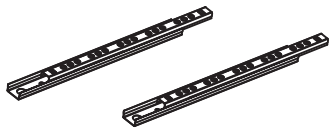
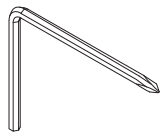


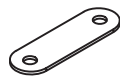
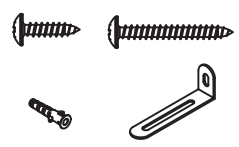
# BOARD IDENTIFICATION

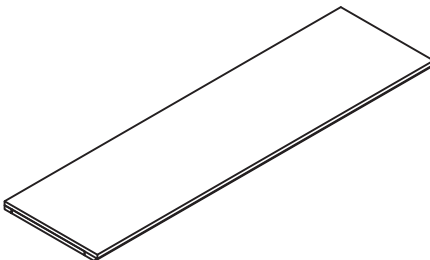
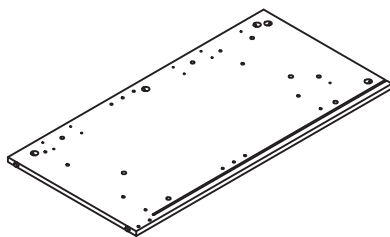
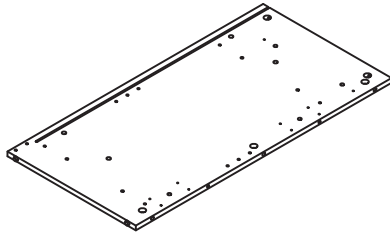
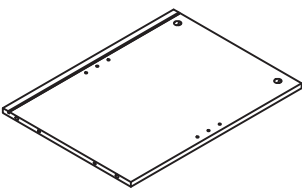
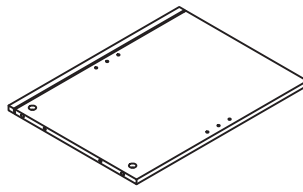
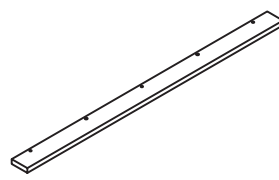
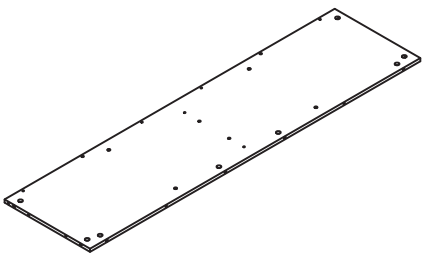
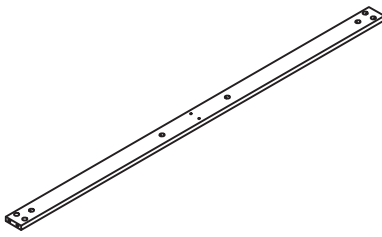
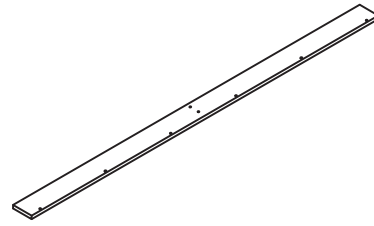
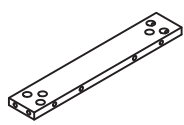
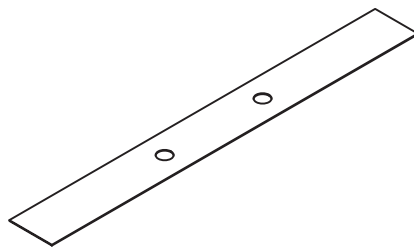
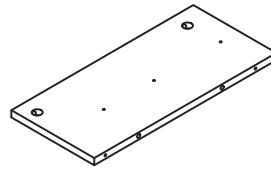
BOX 1		
		
④④ (1155X45X12mm) X4	④⑤ (524X204X12mm) X2	④⑥ (522X202X12mm) X2
		
④⑦ (465X75X12mm) X2	⑤⑤ (200X117X12mm) X2	⑤⑥ (200X117X12mm) X2
		
⑤⑦ (430X117X12mm) X2	⑤⑧ (440X197X3mm) X2	⑤⑨ (459X153X15mm) X2
		
⑥③ (266X297X3mm) X2	⑥⑥ (485X459X15mm) X1	⑥⑦ (485X459X15mm) X1

# HARDWARE PART LIST

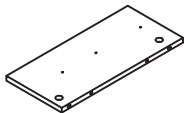
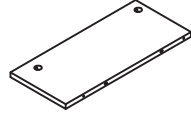
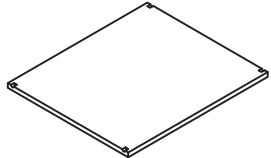
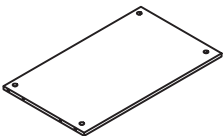
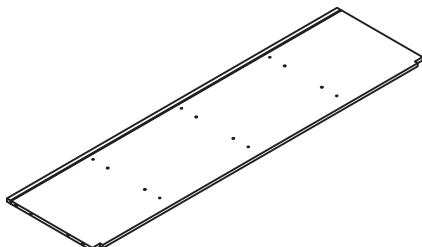
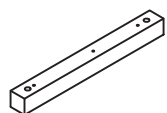
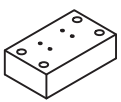
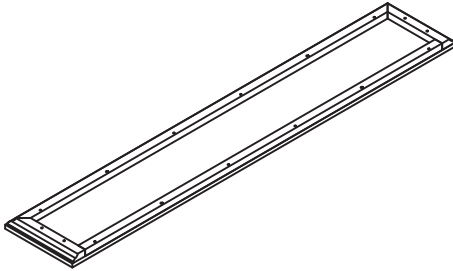
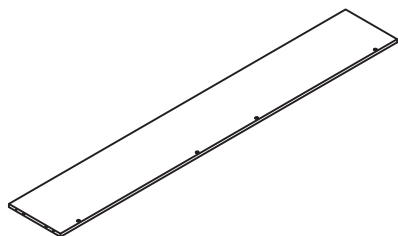
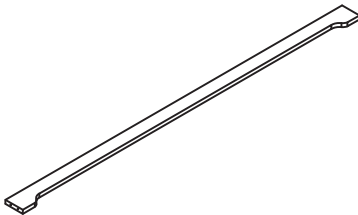
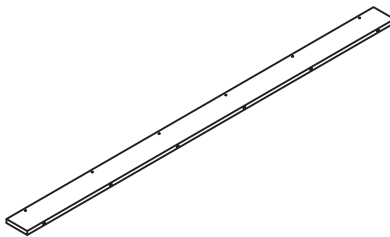
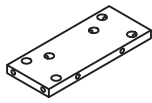
BOX 1		
 <p>Ø15*9.5</p>	 <p>Ø6.5*35</p>	 <p>Ø8*30</p>
Ⓐ X178+5	Ⓑ X178+5	Ⓒ X74+3
 <p>Ø6*30</p>	 <p>Ø3.5*12</p>	 <p>Ø4*35</p>
Ⓓ X70+3	Ⓔ X72+3	Ⓕ X82+3
 <p>Ø35</p>	 <p>Ø3*14</p>	 <p>Ø30(Ø15)*25</p>
Ⓖ X8	Ⓗ X16+1	Ⓖ X8
 <p>M4*12</p>	 <p>M6*20</p>	 <p>Ø8*20</p>
Ⓙ X16+1	Ⓚ X8+1	Ⓛ X8+1

# HARDWARE PART LIST

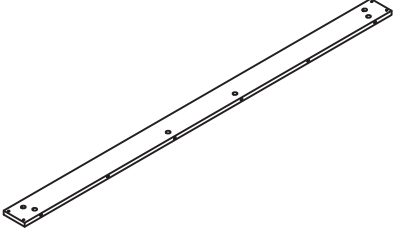
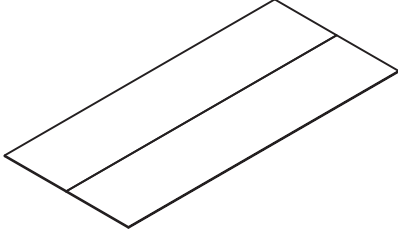
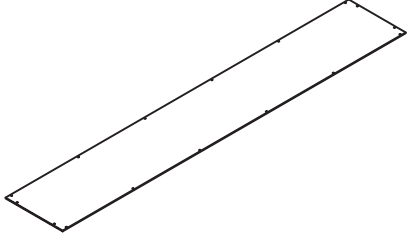
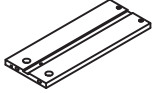
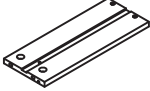
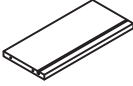
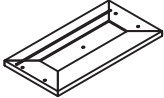
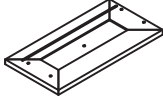
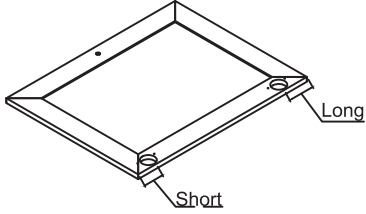
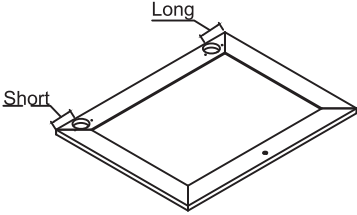
BOX 1		
 <p>L=300</p>	 <p>L=200</p>	 <p>M4*100(60)</p>
<p>Ⓜ X2set</p>	<p>Ⓝ X2set</p>	<p>Ⓞ X1</p>
 <p>Ø3*14</p>	 <p>Ø5*16</p>	 <p>45*12*1</p>
<p>Ⓟ X58+2 set</p>	<p>Ⓠ X24+2</p>	<p>Ⓡ X2+1</p>
		
<p>Ⓢ X2set</p>		

BOX 2		
		
② (1450X400X30mm) X1	⑥ (735X369X12mm) X1	⑦ (735X369X12mm) X1
		
⑩ (491X368X12mm) X1	⑪ (491X368X12mm) X1	⑯ (735X45X12mm) X2
		
⑰ (1424X369X12mm) X1	⑱ (1424X60.5X15mm) X1	⑲ (1359X73X12mm) X1
		
⑳ (353X60.5X15mm) X1	㉑ (1434X167X3mm) X1	㉓ (159X349X12mm) X1

# BOARD IDENTIFICATION

BOX 2		
		
②④ (159X349X12mm) X1	②⑤ (159X360X12mm) X1	②⑦ (401X346X12mm) X1
		
②⑧ (593X348X12mm) X1	③② (1424X380.5X12mm) X1	③④ (300X30X30mm) X2
		
③⑥ (100X60X30mm) X4	③⑧ (1650X290X40mm) X1	④⑧ (1452X222X12mm) X1
		
④⑨ (1452X75X15mm) X1	⑤⑩ (1583X90X15mm) X1	⑤① (220X90X15mm) X2

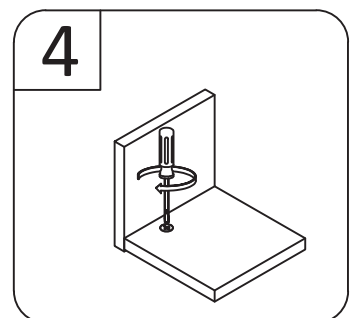
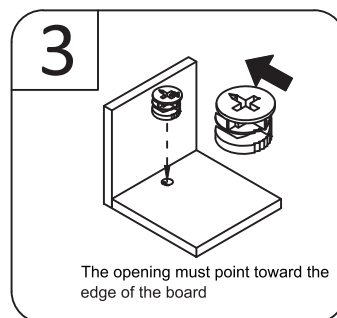
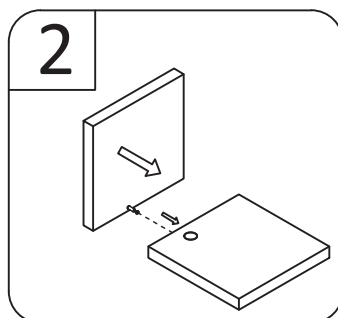
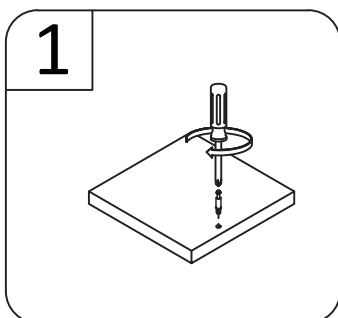
# BOARD IDENTIFICATION

BOX 2		
		
⑤② (1583X90X15mm) X1	⑤③ (1165X534X3mm) X2	⑤④ (1480X246X3mm) X1
		
⑥① (300X117X12mm) X2	⑥② (300X117X12mm) X2	⑥③ (256X117X12mm) X2
		
⑥④ (300X153X15mm) X1	⑥⑤ (300X153X15mm) X1	⑥⑧ (485X379X15mm) X1
		
⑥⑨ (485X379X15mm) X1		



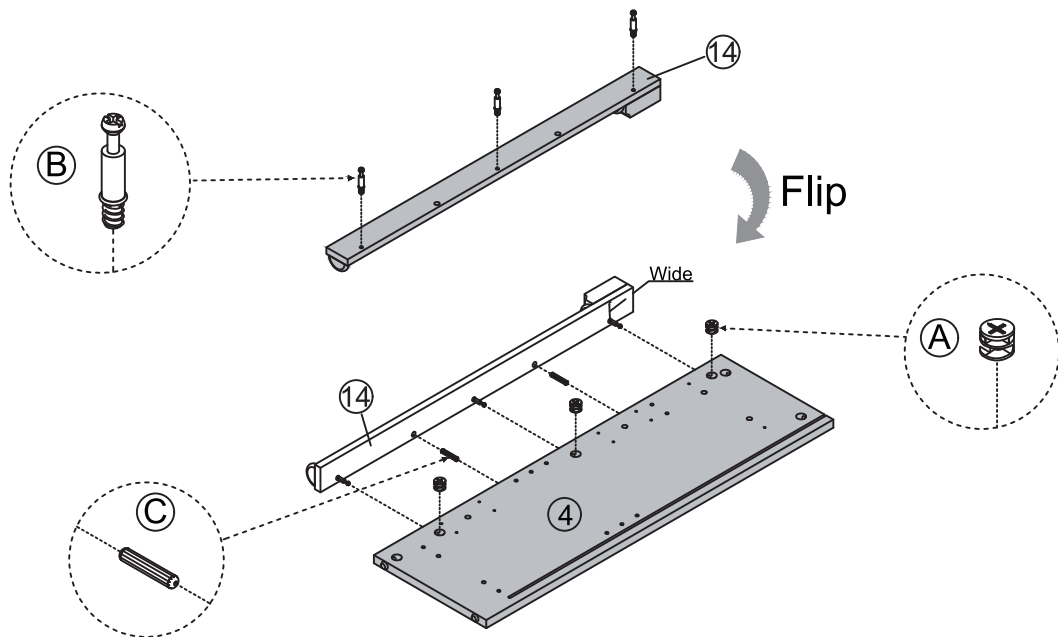
## Cam Lock Fastening System

Insert the cam bolt into the hole first, then insert the cam lock and lock it.



## Step 1

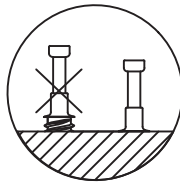
Fix fitting (B) to panel (14). Use wooden dowel (C) to connect panel (4) with panel (14), then turn cam lock (A) clockwise to secure.




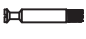

Insert the cam bolt into the hole first, then insert the cam lock and lock it.



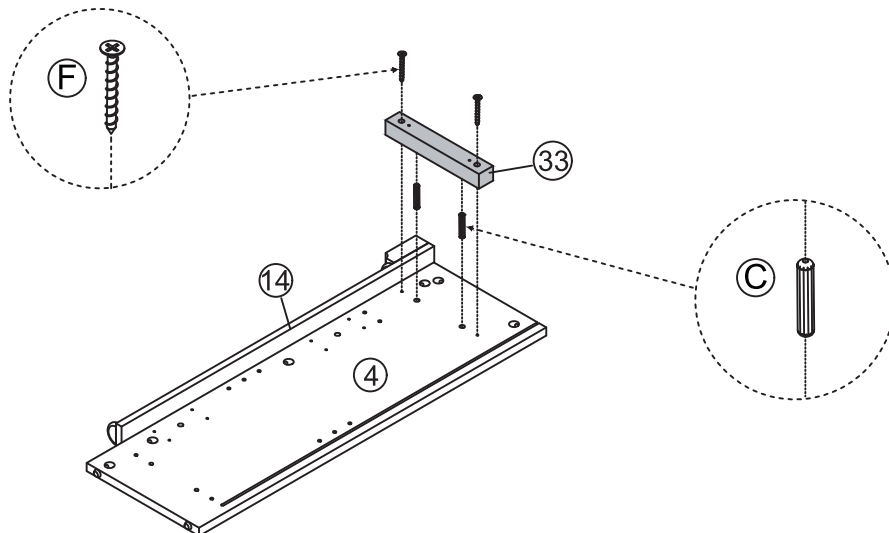
Proper orientation of CAM LOCK



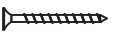

Pay attention to the installation direction of ⑭.

(C)	 ø8*30	x 2
(B)	 ø6.5*35	x 3
(A)	 ø15*9.5	x 3

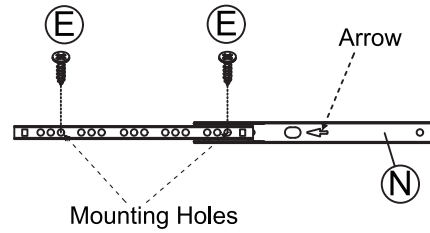
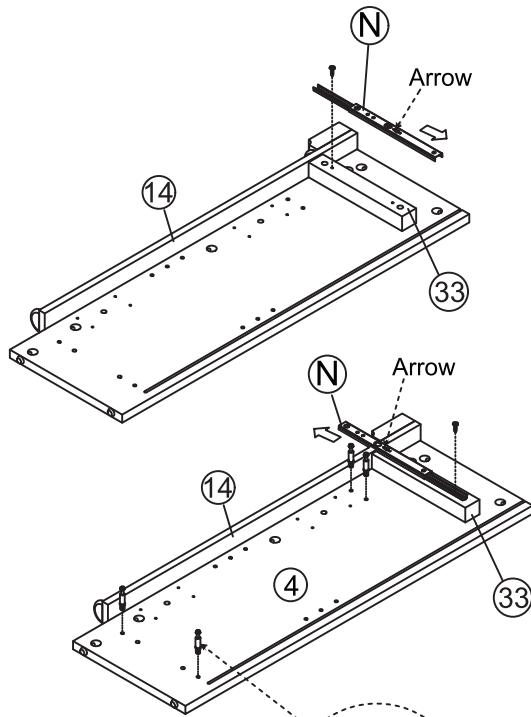
## Step 2




Use wooden dowel (C) to connect panel (33) with panel (4), then secure with screw (F).

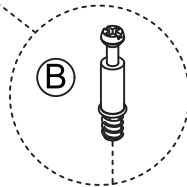
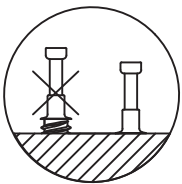
(F)	 ø4*35	x 2
(C)	 ø8*30	x 2




### Step 3



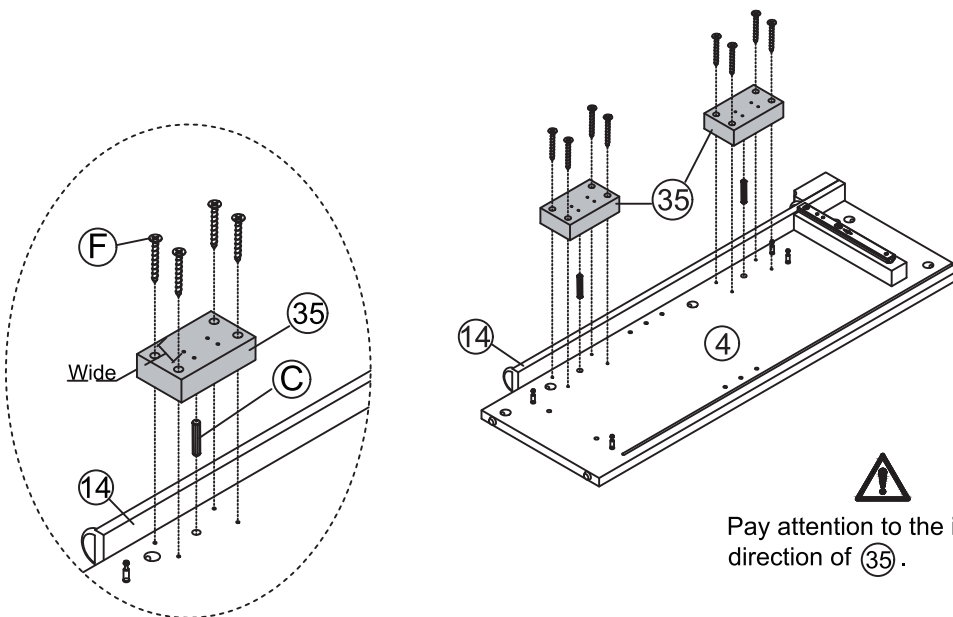
 Pay attention to the installation direction of (N).


Use screw (E) to fix two-section drawer slide (N) onto panel (33), then fix fitting (B) onto panel (4).



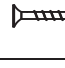

(N)	 L=200	x 1
(E)	 ø3.5*12	x 2
(B)	 ø6.5*35	x 4

### Step 4



 Pay attention to the installation direction of (35).

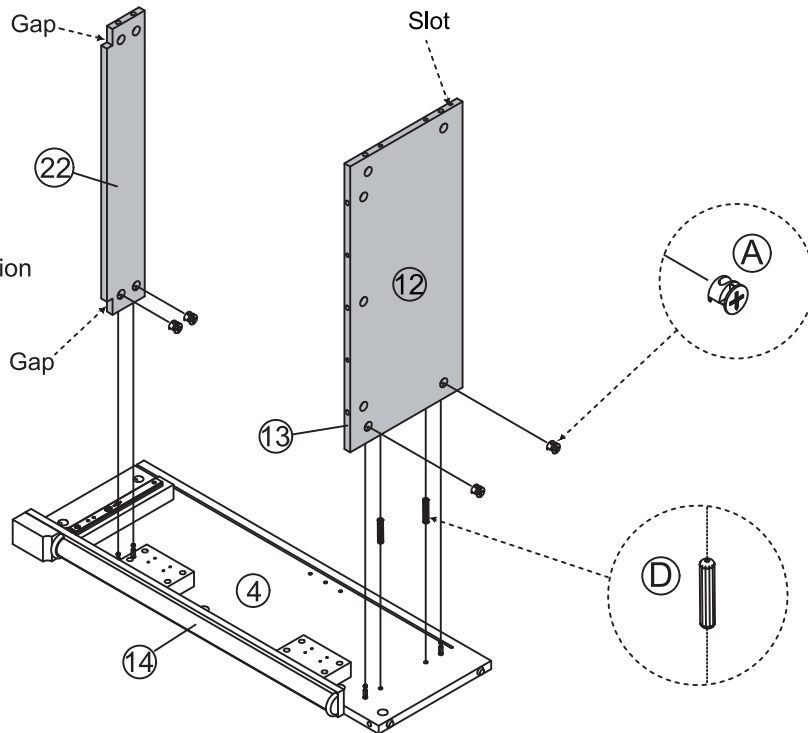
Use wooden dowel (C) to connect panel (35) with panel (4), then secure with screw (F).

(F)	 ø4*35	x 8
(C)	 ø8*30	x 2

## Step 5



Pay attention to the installation direction of (12) and (22).





Insert the cam bolt into the hole first, then insert the cam lock and lock it.

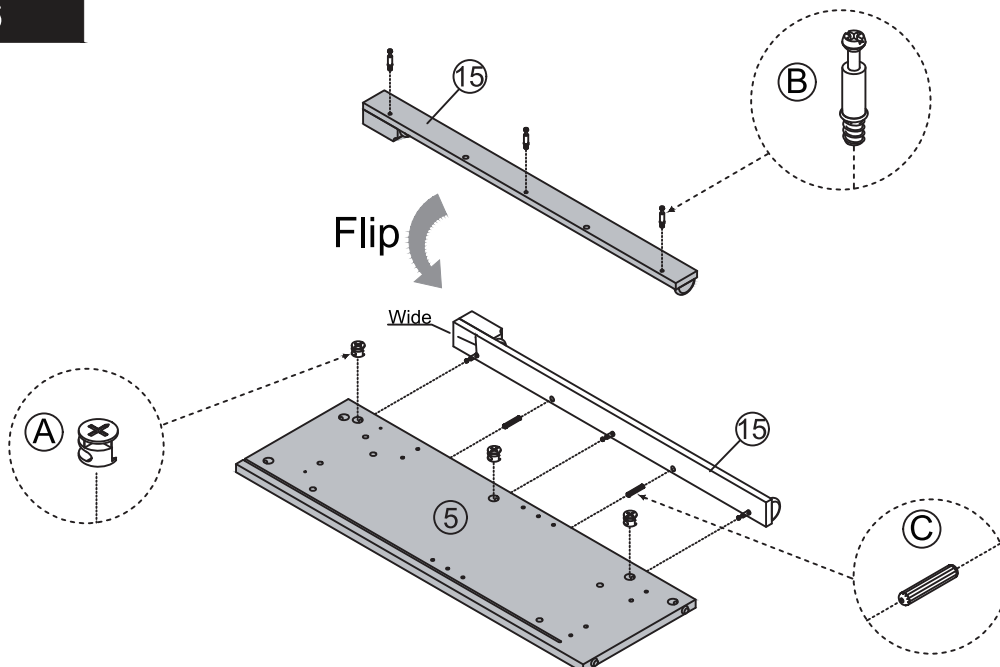
Turn cam lock (A) clockwise to fix panel (22) onto panel (4). Use wooden dowel (D) to connect panel (12) with panel (4) and secure with cam lock (A).



Proper orientation of CAM LOCK

(D)		x 2 ø6*30
(A)		x 4 ø15*9.5

## Step 6






Insert the cam bolt into the hole first, then insert the cam lock and lock it.

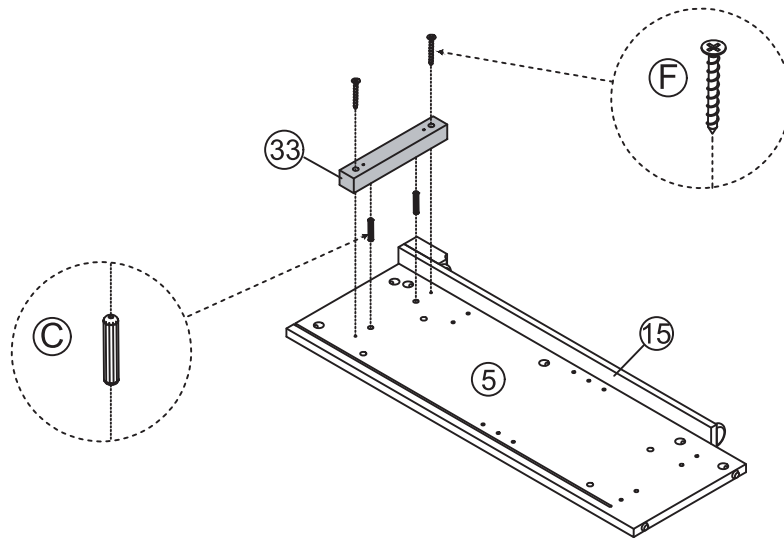
Fix fitting (B) to panel (15). Use wooden dowel (C) to connect panel (5) with panel (15), then turn cam lock (A) clockwise to secure.





Proper orientation of CAM LOCK

(C)		x 2 ø8*30
(B)		x 3 ø6.5*35
(A)		x 3 ø15*9.5

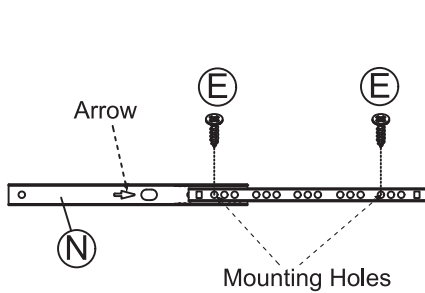
## Step 7



Use wooden dowel (C) to connect panel (33) with panel (5), then secure with screw (F).

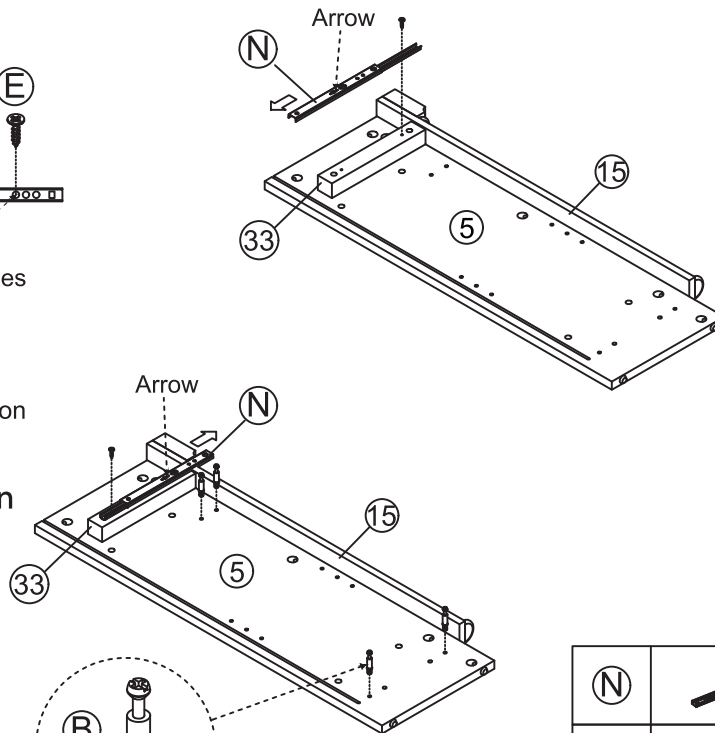
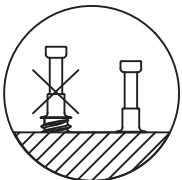
(F)	 Ø4*35	x 2
(C)	 Ø8*30	x 2




## Step 8



Pay attention to the installation direction of (N).

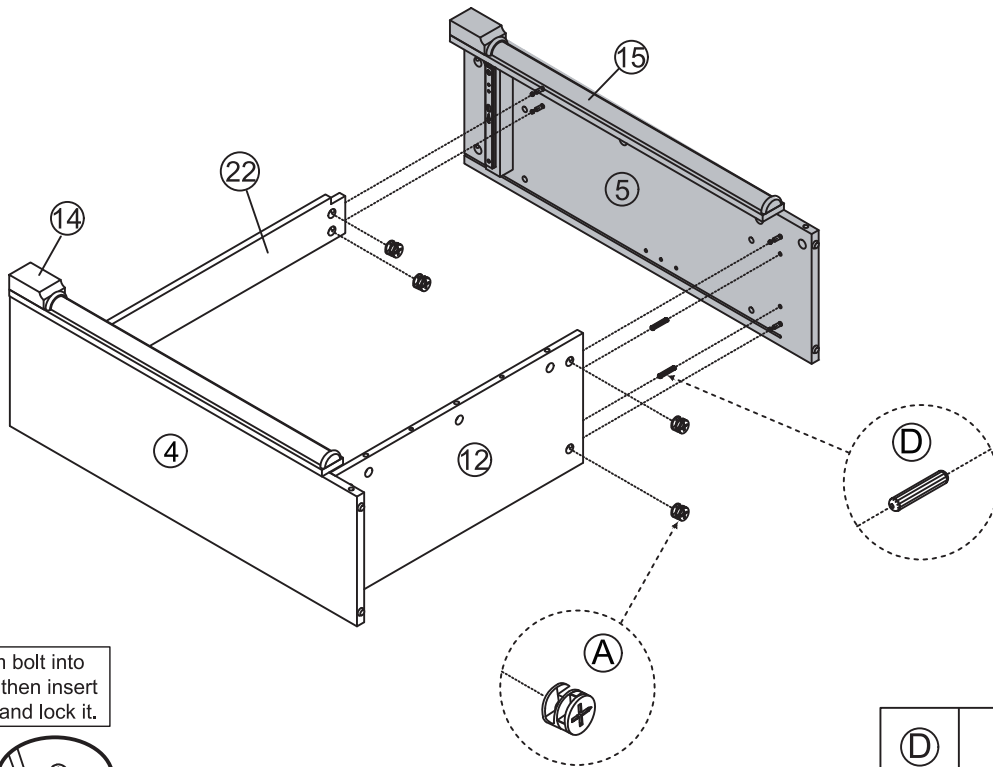
Use screw (E) to fix two-section drawer slide (N) onto panel (33), then fix fitting (B) onto panel (5).



(N)	 L=200	x 1
(E)	 Ø3,5*12	x 2
(B)	 Ø6,5*35	x 4

## Step 9



Use wooden dowel (D) to connect panel (12) with panel (5), then turn cam lock (A) clockwise to fix panels (12) and (22) onto panel (5).



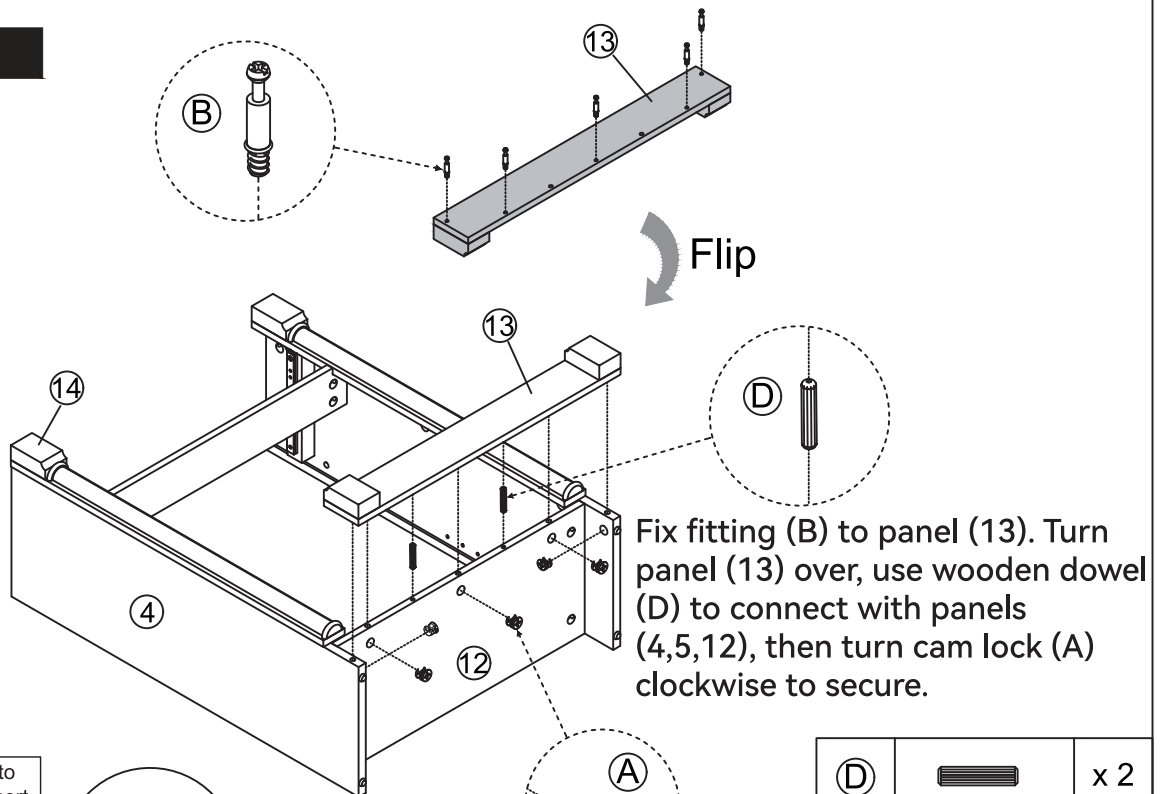
Insert the cam bolt into the hole first, then insert the cam lock and lock it.



Proper orientation of CAM LOCK

(D)	 $\varnothing 6 \times 30$	x 2
(A)	 $\varnothing 15 \times 9.5$	x 4


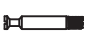

## Step 10



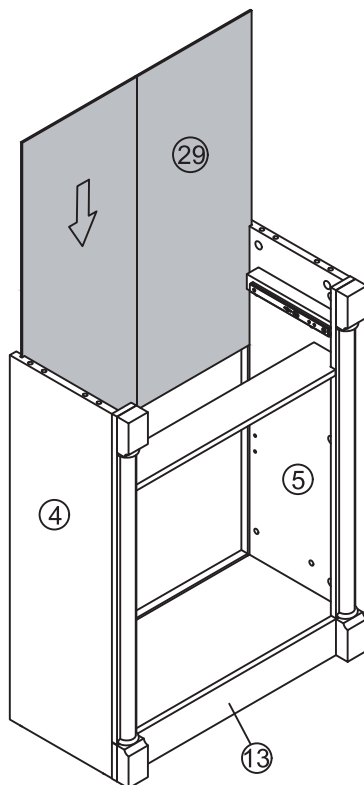
Insert the cam bolt into the hole first, then insert the cam lock and lock it.



Proper orientation of CAM LOCK

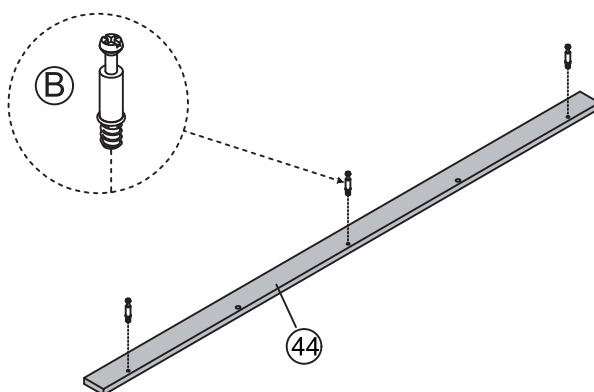
(D)	 $\varnothing 6 \times 30$	x 2
(B)	 $\varnothing 6.5 \times 35$	x 5
(A)	 $\varnothing 15 \times 9.5$	x 5

## Step 11

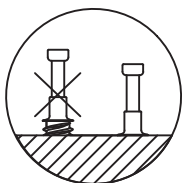


Insert panel (29) into the grooves of panels (4,5).


## Step 12



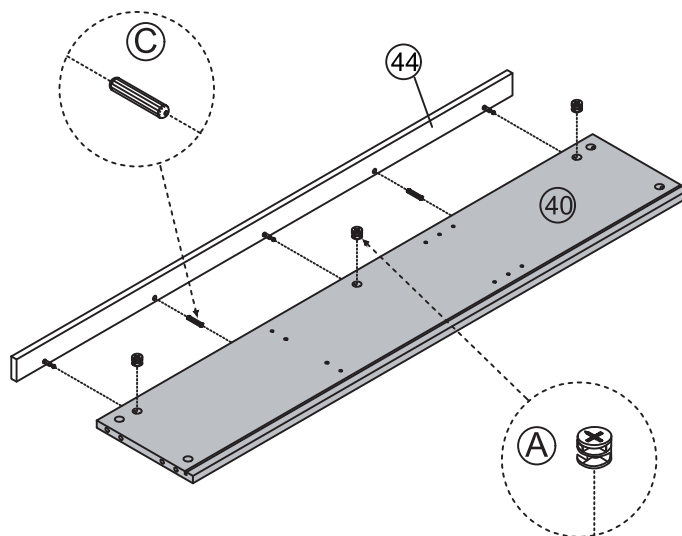
Fix fitting (B) to panel (44), repeat twice.



# X2

(B)		x 6
<small>Ø6,5*35</small>		

## Step 13





Insert the cam bolt into the hole first, then insert the cam lock and lock it.

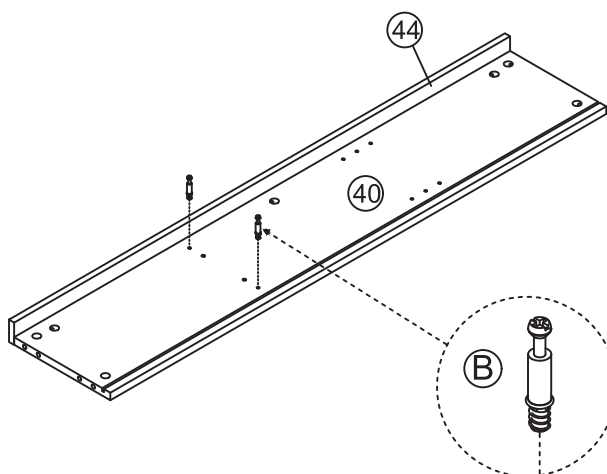
Use wooden dowel (C) to connect panel (44) with panel (40), then turn cam lock (A) clockwise to secure.



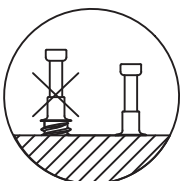
Proper orientation of CAM LOCK

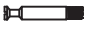
(C)	 ø8*30	x 2
(A)	 Ø15*9.5	x 3

## Step 14

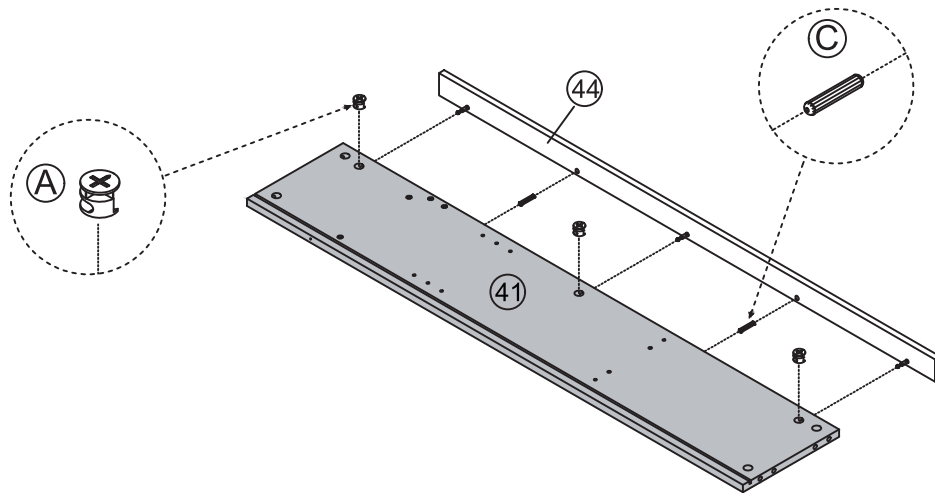


Fix fitting (B) to panel (40).



(B)	 ø6.5*35	x 2
-----	--	-----

## Step 15





Insert the cam bolt into the hole first, then insert the cam lock and lock it.

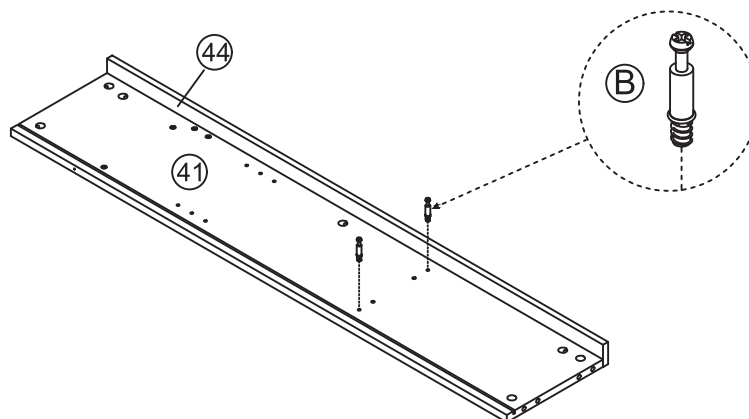
Use wooden dowel (C) to connect panel (44) with panel (41), then turn cam lock (A) clockwise to secure.



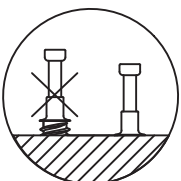
Proper orientation of CAM LOCK

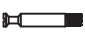
(C)	 ø8*30	x 2
(A)	 Ø15*9.5	x 3

## Step 16

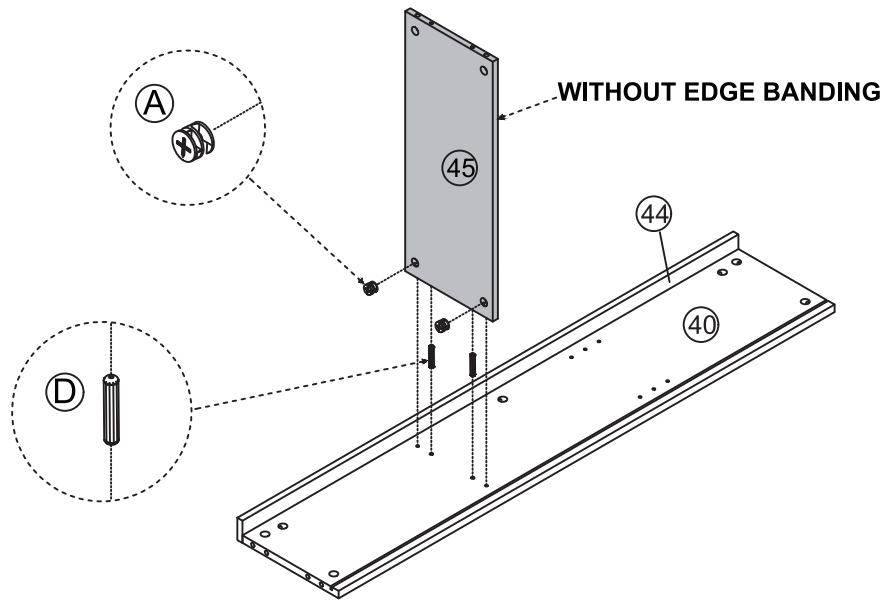


Fix fitting (B) to panel (41).



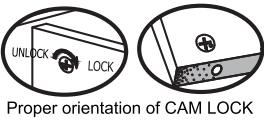
(B)	 ø6,5*35	x2
-----	--	----

## Step 17





Insert the cam bolt into the hole first, then insert the cam lock and lock it.

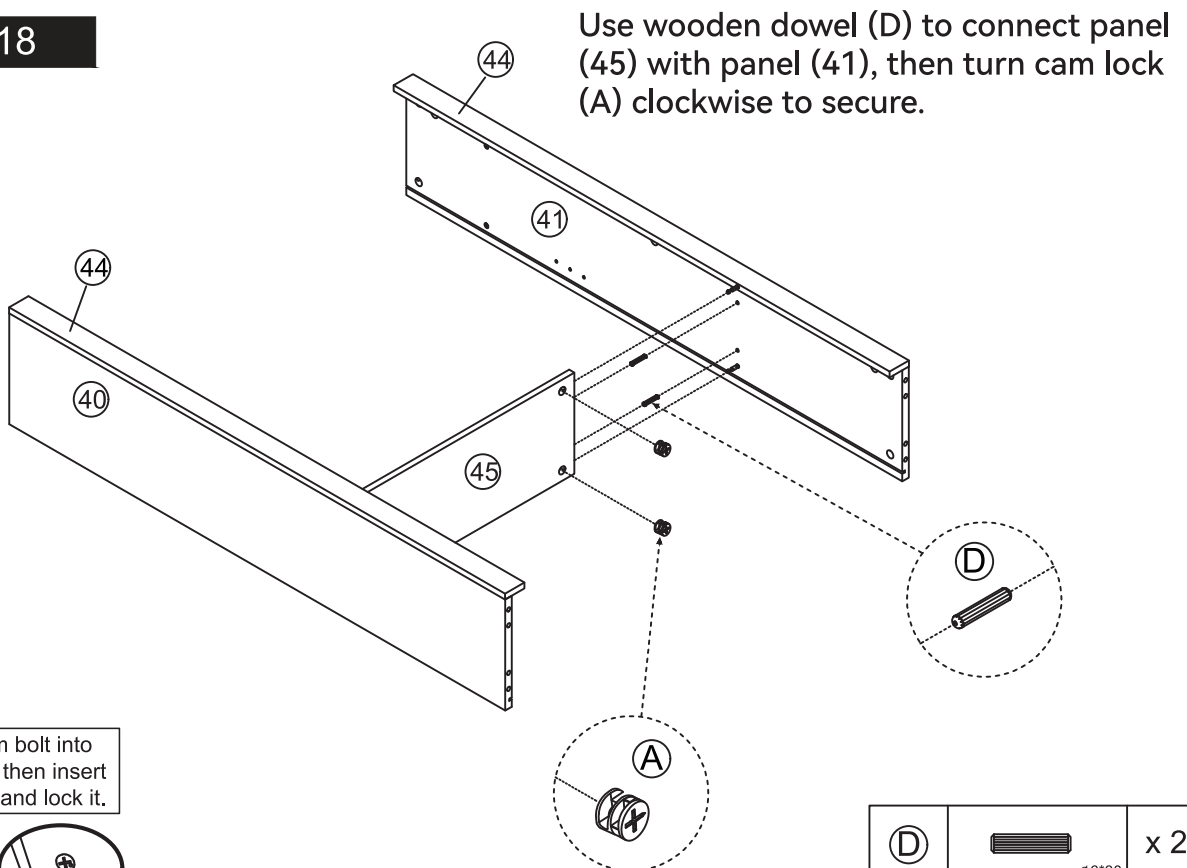
Use wooden dowel (D) to connect panel (45) with panel (40), then turn cam lock (A) clockwise to secure.



Proper orientation of CAM LOCK

(D)	 ø6*30	x 2
(A)	 Ø15*9.5	x 2

## Step 18





Use wooden dowel (D) to connect panel (45) with panel (41), then turn cam lock (A) clockwise to secure.

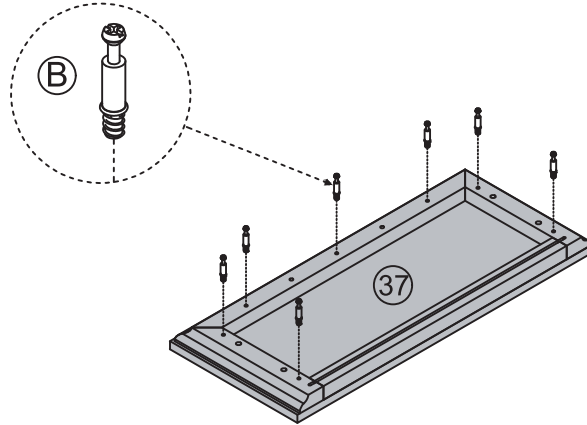
Insert the cam bolt into the hole first, then insert the cam lock and lock it.



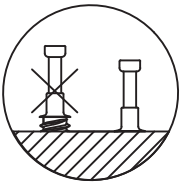
Proper orientation of CAM LOCK

(D)	 ø6*30	x 2
(A)	 Ø15*9.5	x 2

## Step 19

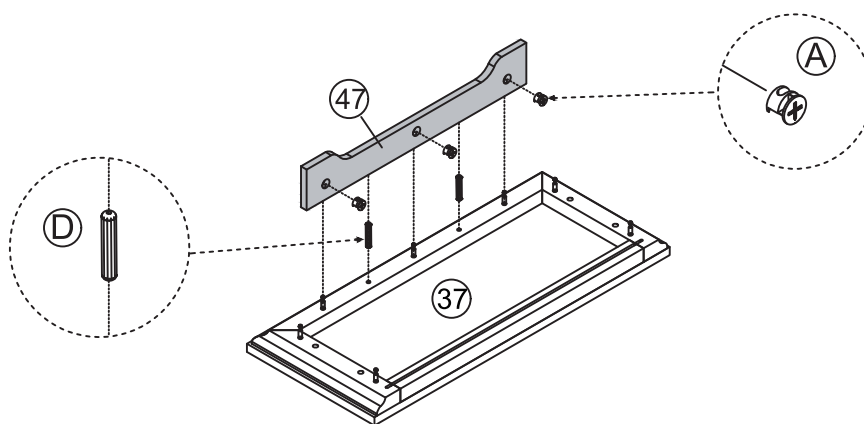


Fix fitting (B) to panel (37).



(B)		x 7
	$\varnothing 6.5 \times 35$	

## Step 20



Insert the cam bolt into the hole first, then insert the cam lock and lock it.

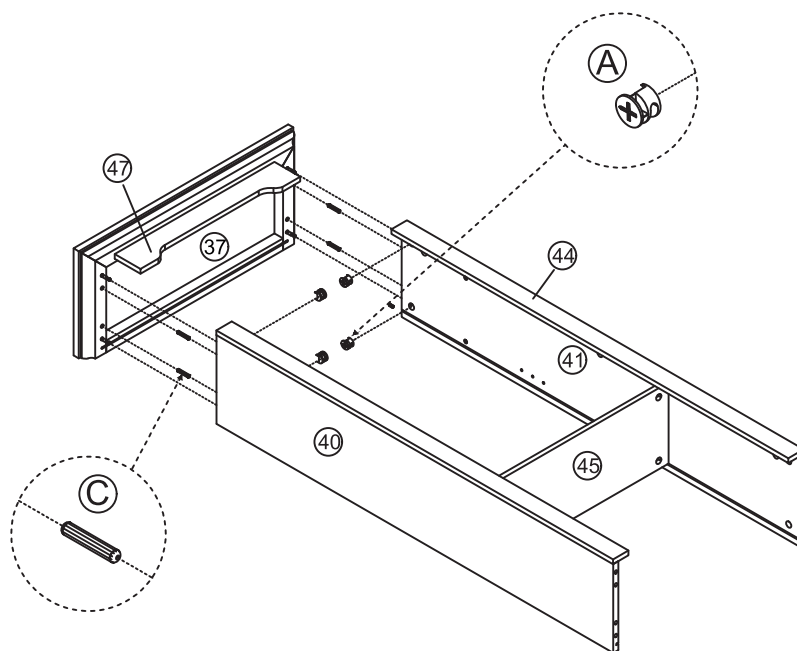
Use wooden dowel (D) to connect panel (47) with panel (37), then turn cam lock (A) clockwise to secure.



Proper orientation of CAM LOCK

(D)		x 2
	$\varnothing 6 \times 30$	
(A)		x 3
	$\varnothing 15 \times 9.5$	

## Step 21



Insert the cam bolt into the hole first, then insert the cam lock and lock it.

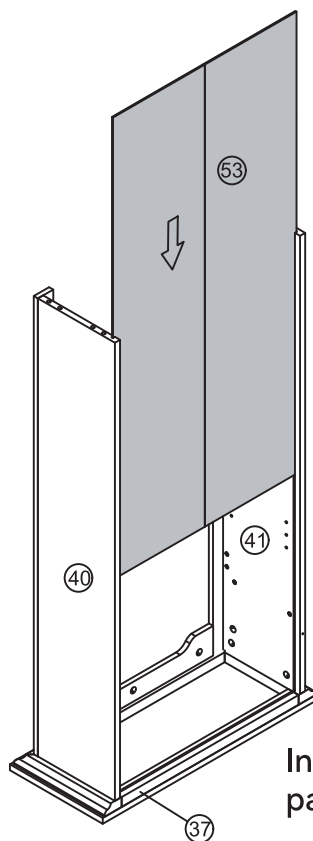
Use wooden dowel (C) to connect panel (37) with panels (40,41), then turn cam lock (A) clockwise to secure.



Proper orientation of CAM LOCK

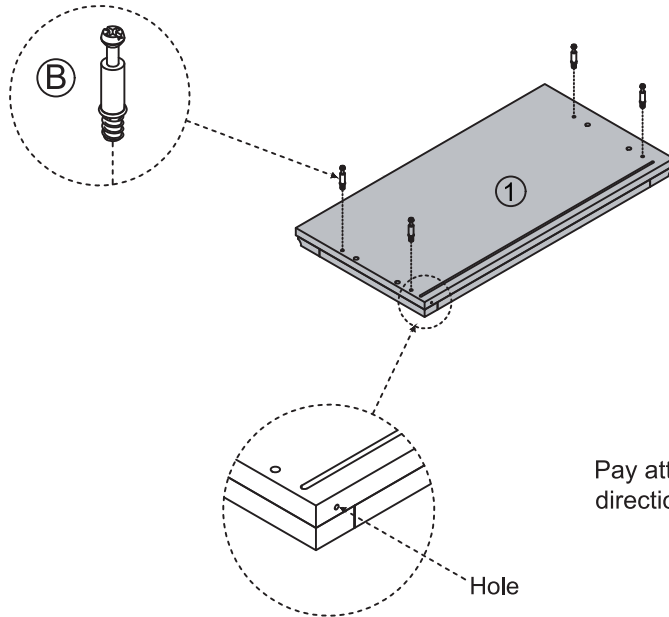
Ⓒ	$\varnothing 8 \times 30$	x 4
Ⓐ	$\varnothing 15 \times 9.5$	x 4

## Step 22

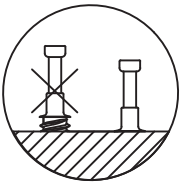


Insert panel (53) into the grooves of panels (40,41).

## Step 23



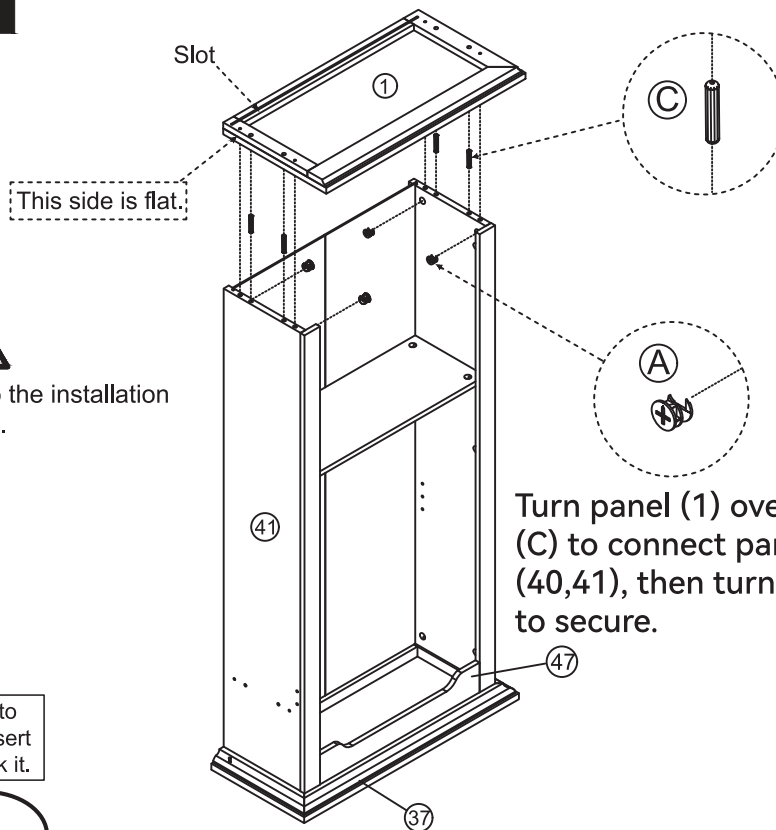
Pay attention to the placement direction of ①.



Fix fitting (B) to panel (1).

Ⓑ		x 4
	∅6.5*35	

## Step 24



Pay attention to the installation direction of ①.

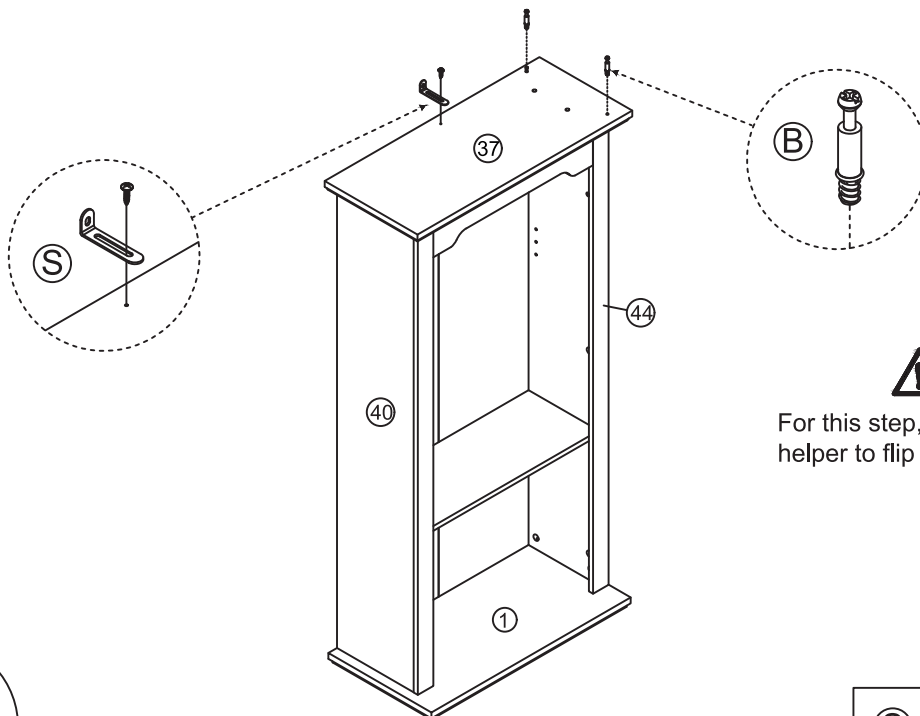
Insert the cam bolt into the hole first, then insert the cam lock and lock it.



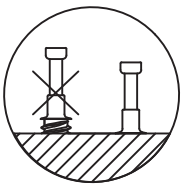
Proper orientation of CAM LOCK

Ⓒ		x 4
	∅8*30	
Ⓐ		x 4
	∅15*9.5	



## Step 25



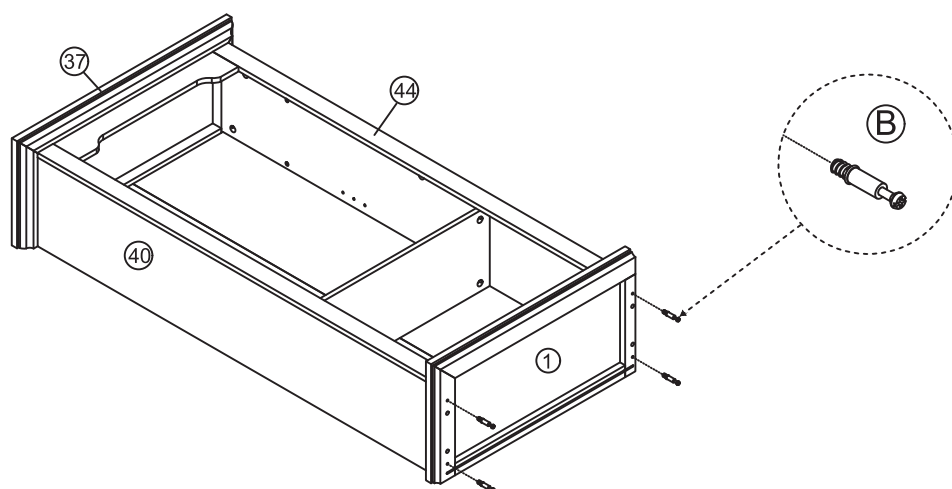
 For this step, you need one helper to flip the cabinet.



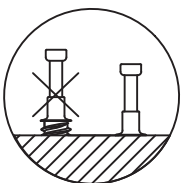
Fix fitting (B) to panel (37). Use middle screw of fitting (S) to fix L-shaped metal bracket onto panel (37).


(S)		x1set
(B)	 ø6,5*35	x 2

## Step 26



Fix fitting (B) to panel (1).

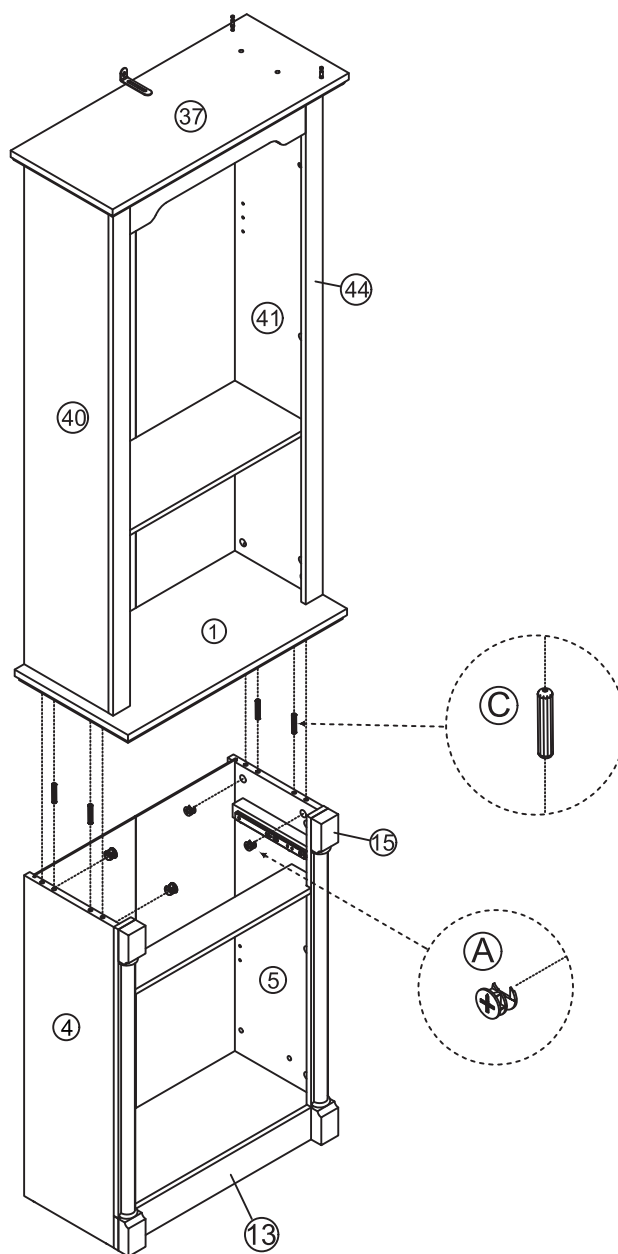


(B)	 ø6,5*35	x 4
-----	--	-----

## Step 27



Two people are needed to collaborate on this assembly step.





Insert the cam bolt into the hole first, then insert the cam lock and lock it.

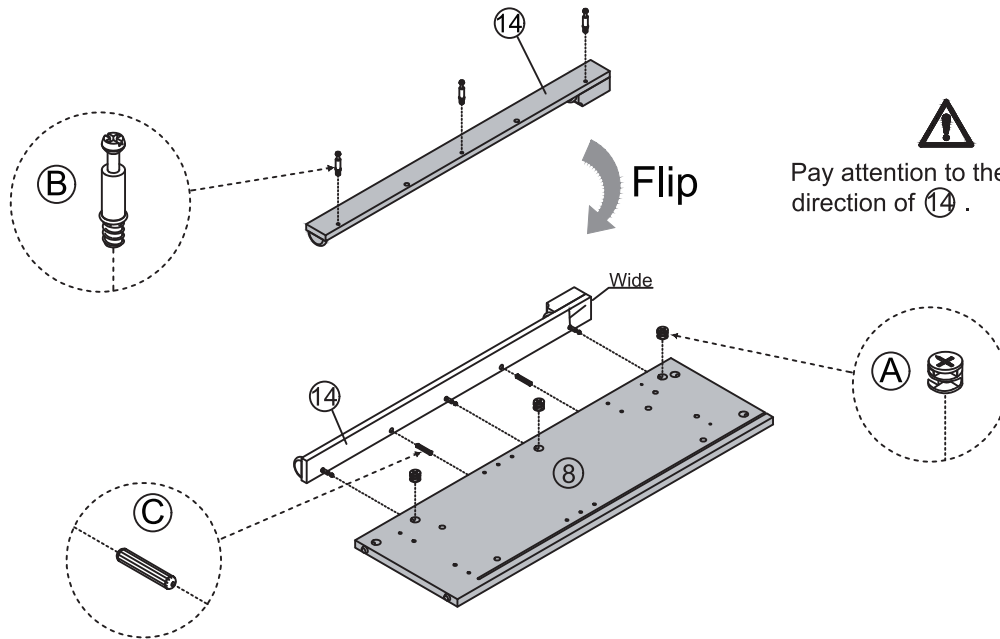


Proper orientation of CAM LOCK

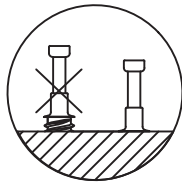
Use wooden dowel (C) to connect panel (1) with panels (4,5), then turn cam lock (A) clockwise to secure.

(C)	 ø8*30	x 4
(A)	 ø15*9.5	x 4


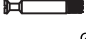

## Step 28



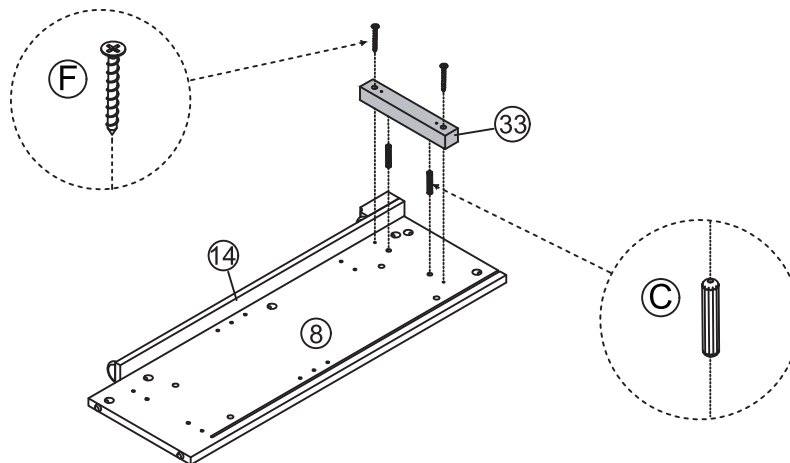
Insert the cam bolt into the hole first, then insert the cam lock and lock it.



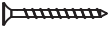

Fix fitting (B) to panel (14). Turn panel (14) over, use wooden dowel (C) to connect panel (14) with panel (8), then turn cam lock (A) clockwise to secure.

(C)	 ø8*30	x 2
(B)	 ø6.5*35	x 3
(A)	 ø15*9.5	x 3

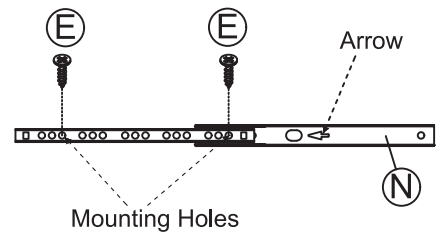
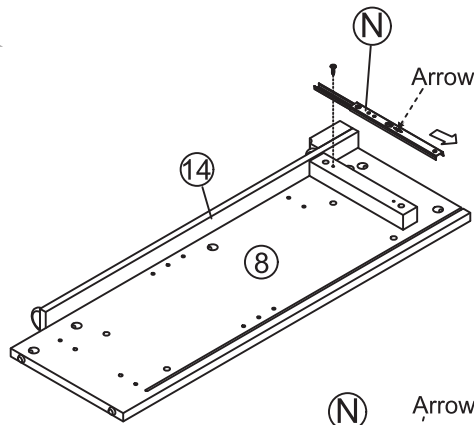
## Step 29



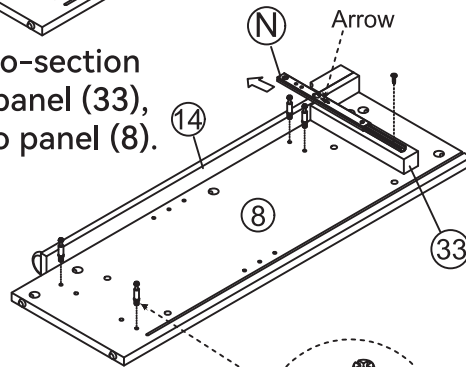
Use wooden dowel (C) to connect panel (33) with panel (8), then secure with screw (F).

(F)	 ø4*35	x 2
(C)	 ø8*30	x 2

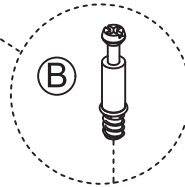
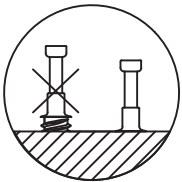
### Step 30






Use screw (E) to fix two-section drawer slide (N) onto panel (33), then fix fitting (B) onto panel (8).

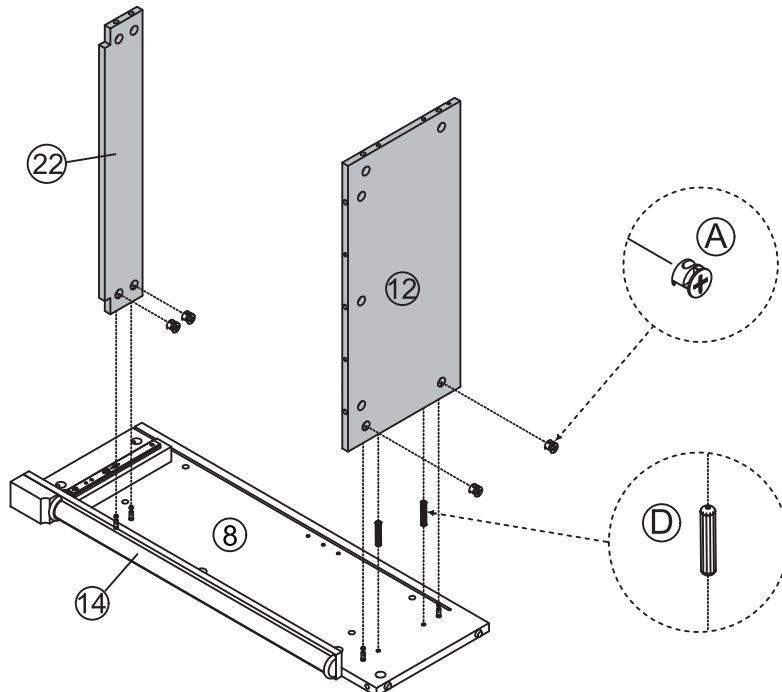


Pay attention to the installation direction of (N).





(N)	 L=200	x 1
(E)	 ø3,5*12	x 2
(B)		x 4

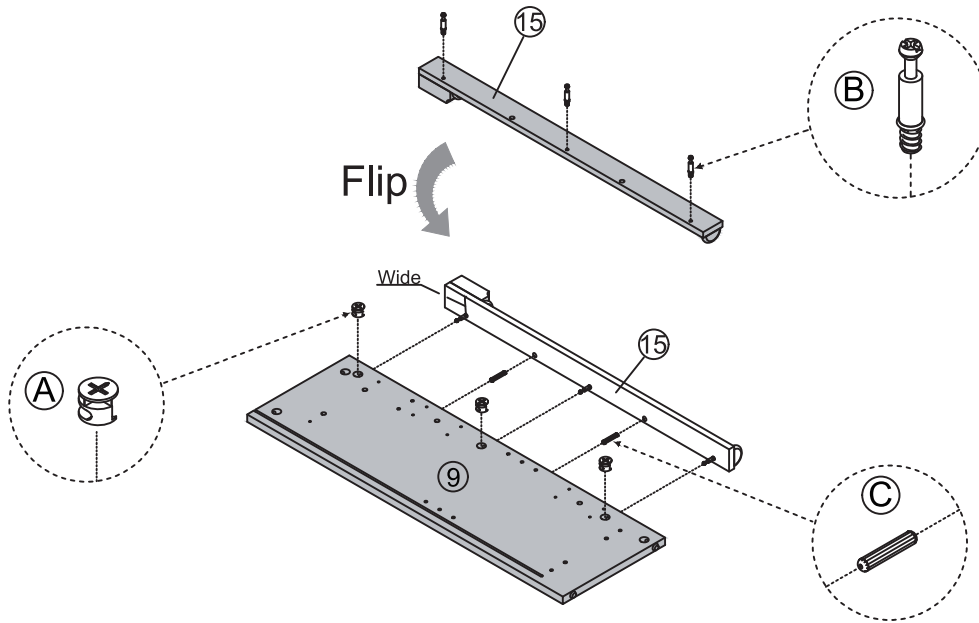
### Step 31



Turn cam lock (A) clockwise to fix panel (22) onto panel (8). Use wooden dowel (D) to connect panel (12) with panel (8), then secure with cam lock (A).

(D)	 ø6*30	x 2
(A)	 Ø15*9.5	x 4

## Step 32






Insert the cam bolt into the hole first, then insert the cam lock and lock it.

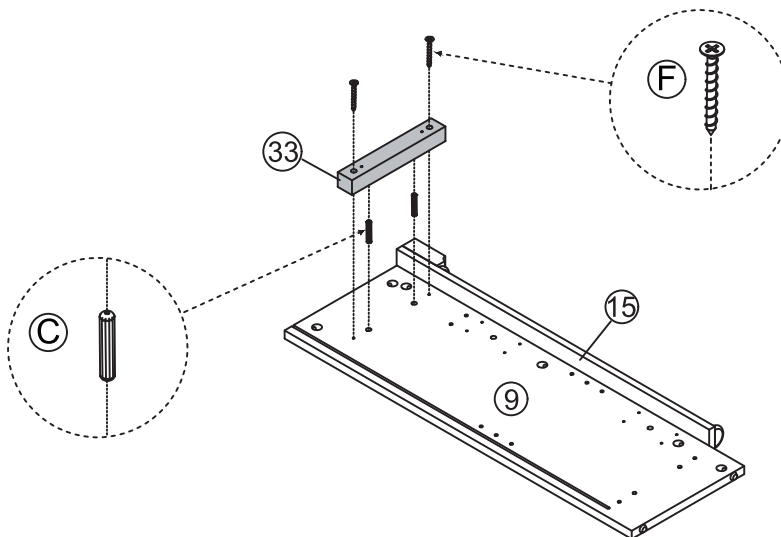


Proper orientation of CAM LOCK

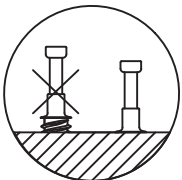
Fix fitting (B) to panel (15). Turn panel (15) over, use wooden dowel (C) to connect panel (15) with panel (9), then turn cam lock (A) clockwise to secure.

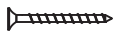

(C)	 ø8*30	x 2
(B)	 ø6.5*35	x 3
(A)	 ø15*9.5	x 3

## Step 33



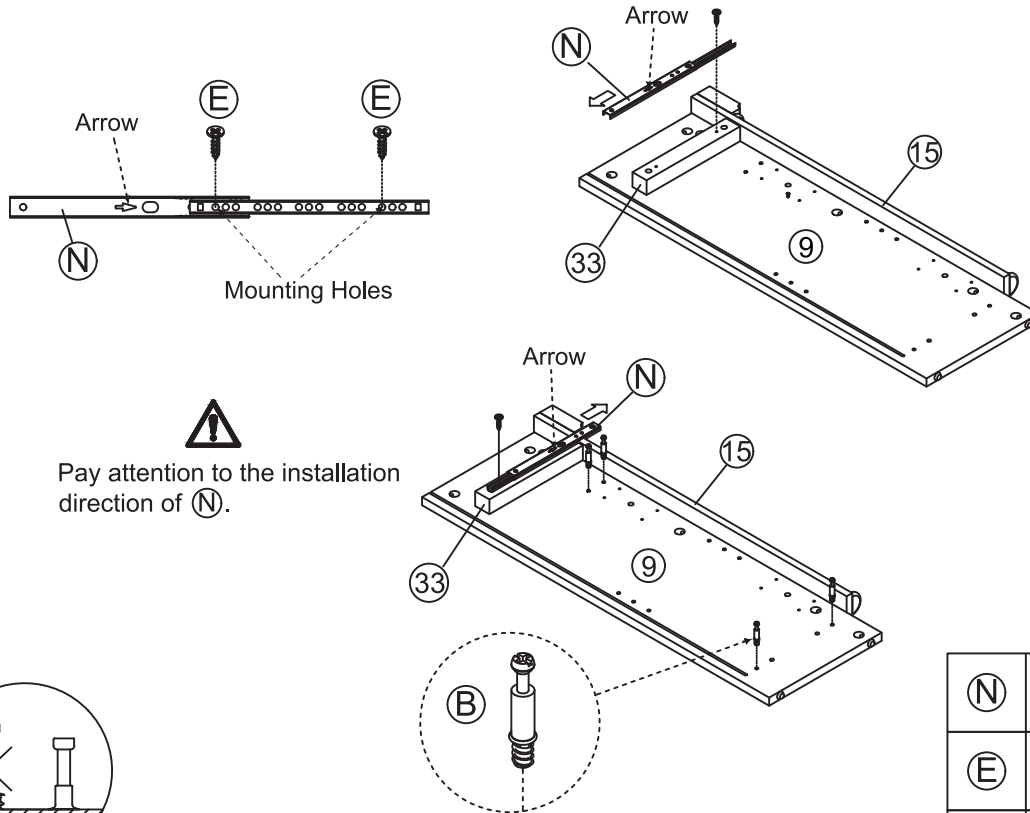
Use wooden dowel (C) to connect panel (33) with panel (9), then secure with screw (F).




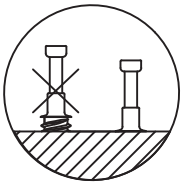
(F)	 ø4*35	x2
(C)	 ø8*30	x 2




### Step 34

Use screw (E) to fix two-section drawer slide (N) onto panel (33), then fix fitting (B) onto panel (9).



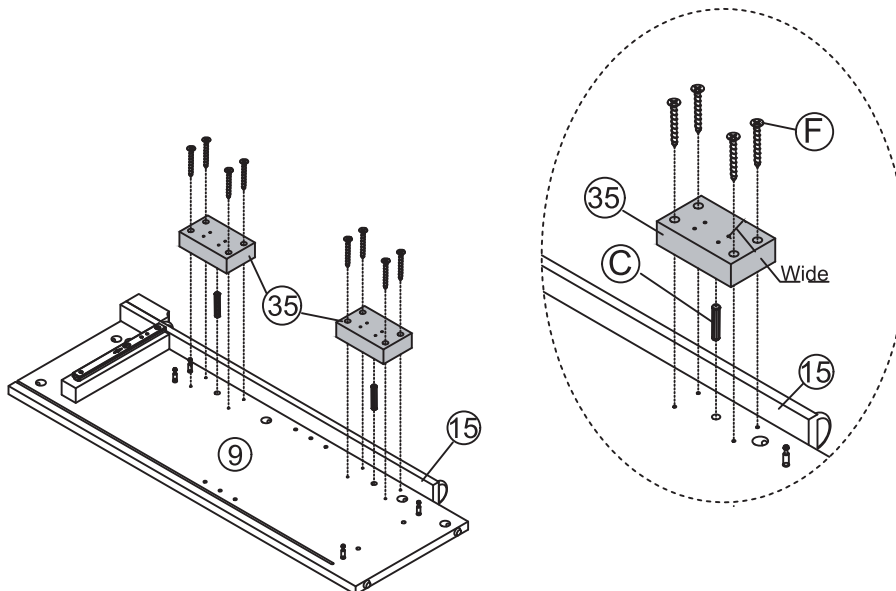
 Pay attention to the installation direction of (N).




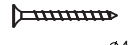

(N)	 L=200	x 1
(E)	 ø3,5*12	x 2
(B)	 ø6,5*35	x 4

### Step 35

Use wooden dowel (C) to connect panel (35) with panel (9), then secure with screw (F).

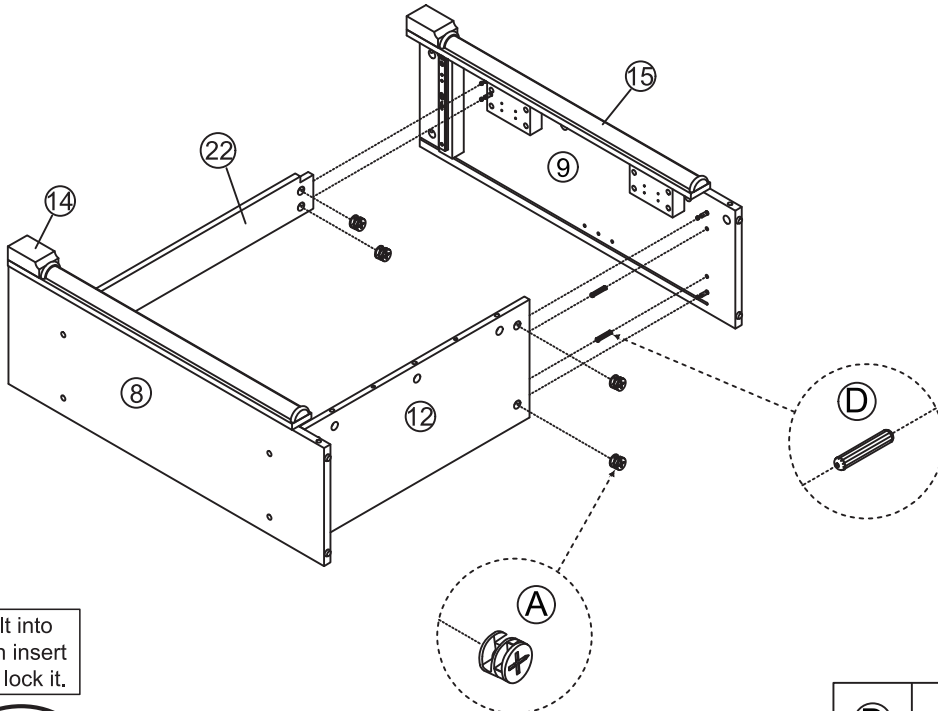


 Pay attention to the installation direction of (35).

(F)	 ø4*35	x8
(C)	 ø8*30	x 2

### Step 36



Turn cam lock (A) clockwise to fix panel (22) onto panel (9). Use wooden dowel (D) to connect panel (12) with panel (9), then secure with cam lock (A).



Insert the cam bolt into the hole first, then insert the cam lock and lock it.

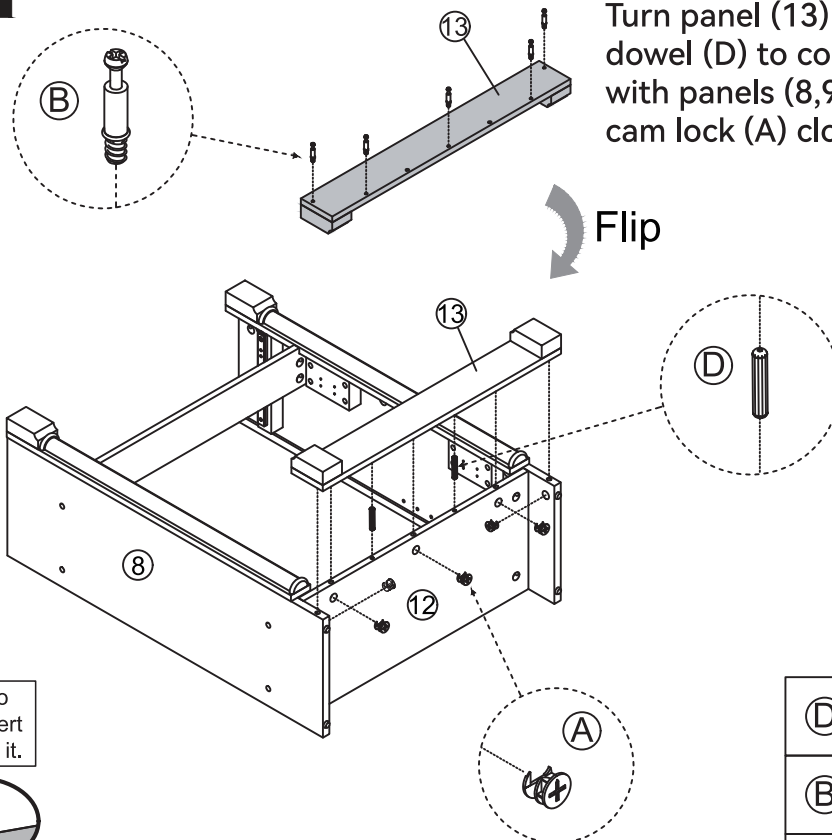


Proper orientation of CAM LOCK

(D)		x 2 ø6*30
(A)		x 4 Ø15*9.5

### Step 37




Fix fitting (B) to panel (13). Turn panel (13) over, use wooden dowel (D) to connect panel (13) with panels (8,9,12), then turn cam lock (A) clockwise to secure.



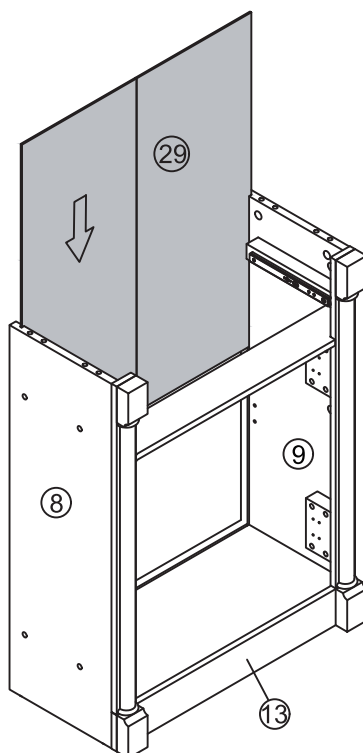
Insert the cam bolt into the hole first, then insert the cam lock and lock it.



Proper orientation of CAM LOCK

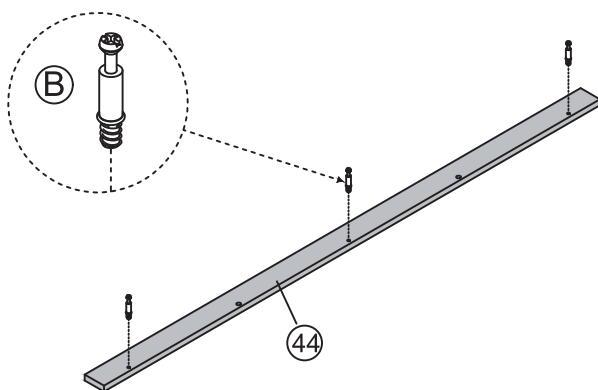
(D)		x 2 ø6*30
(B)		x 5 ø6.5*35
(A)		x 5 Ø15*9.5

### Step 38

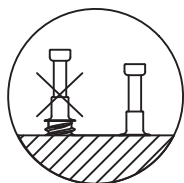


Insert panel (29) into the grooves of panels (8,9).

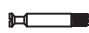
### Step 39



# X2

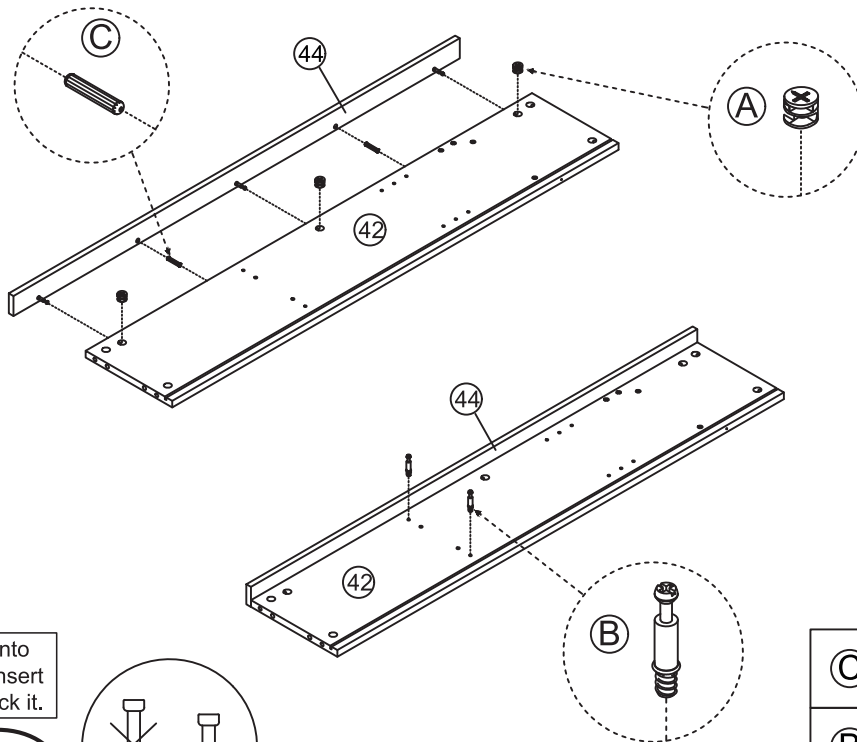


Fix fitting (B) to panel (44), repeat twice.

(B)		x 6
<small>ø6.5*35</small>		

## Step 40

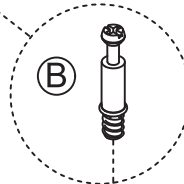
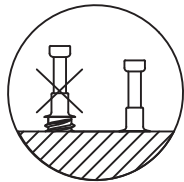
Use wooden dowel (C) to connect panel (44) with panel (42), then turn cam lock (A) clockwise to secure. Fix fitting (B) to panel (42).



Insert the cam bolt into the hole first, then insert the cam lock and lock it.

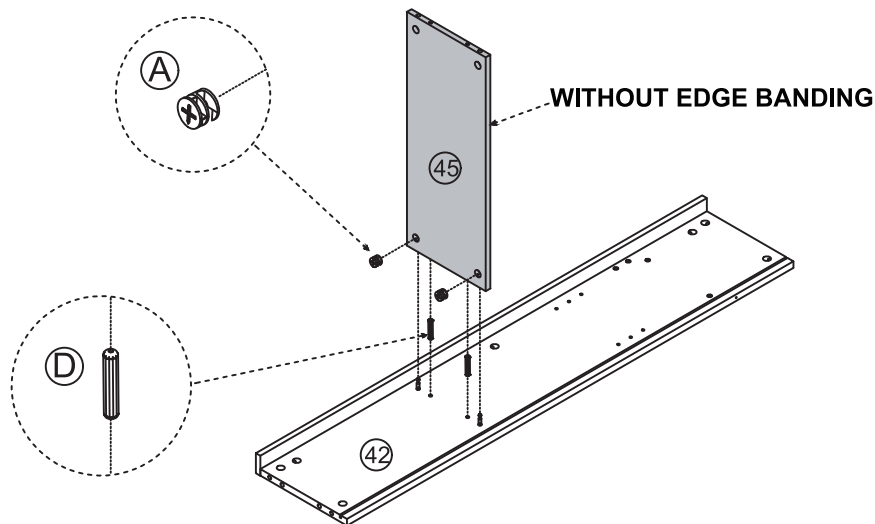


Proper orientation of CAM LOCK



(C)	$\varnothing 8 \times 30$	x 2
(B)	$\varnothing 6.5 \times 35$	x 2
(A)	$\varnothing 15 \times 9.5$	x 3

## Step 41



Insert the cam bolt into the hole first, then insert the cam lock and lock it.

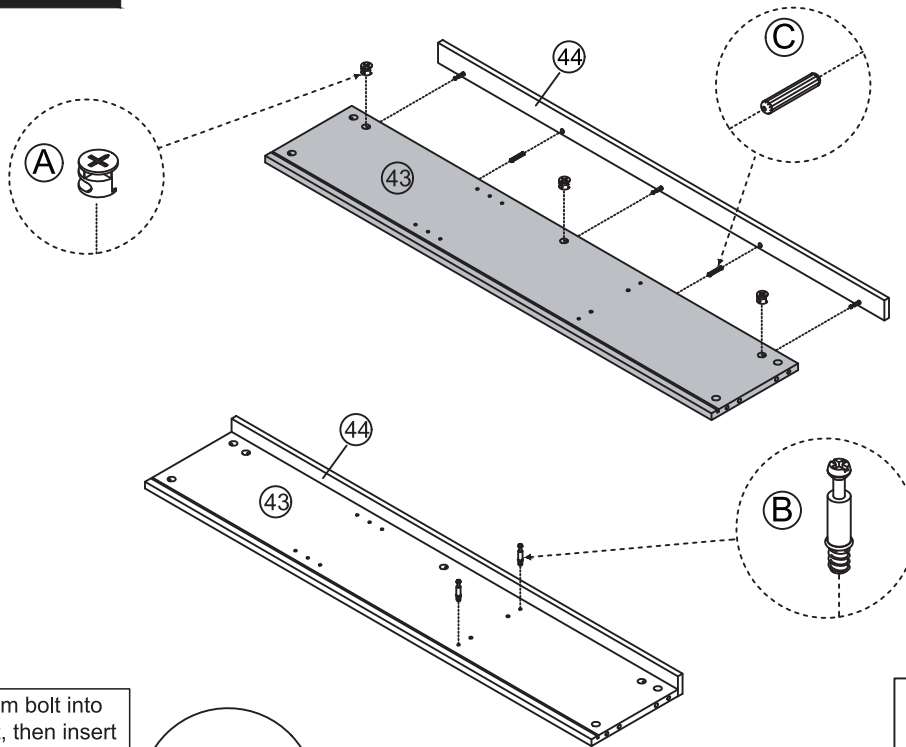


Proper orientation of CAM LOCK

Use wooden dowel (D) to connect panel (45) with panel (42), then turn cam lock (A) clockwise to secure.

(D)	$\varnothing 6 \times 30$	x 2
(A)	$\varnothing 15 \times 9.5$	x 2

## Step 42



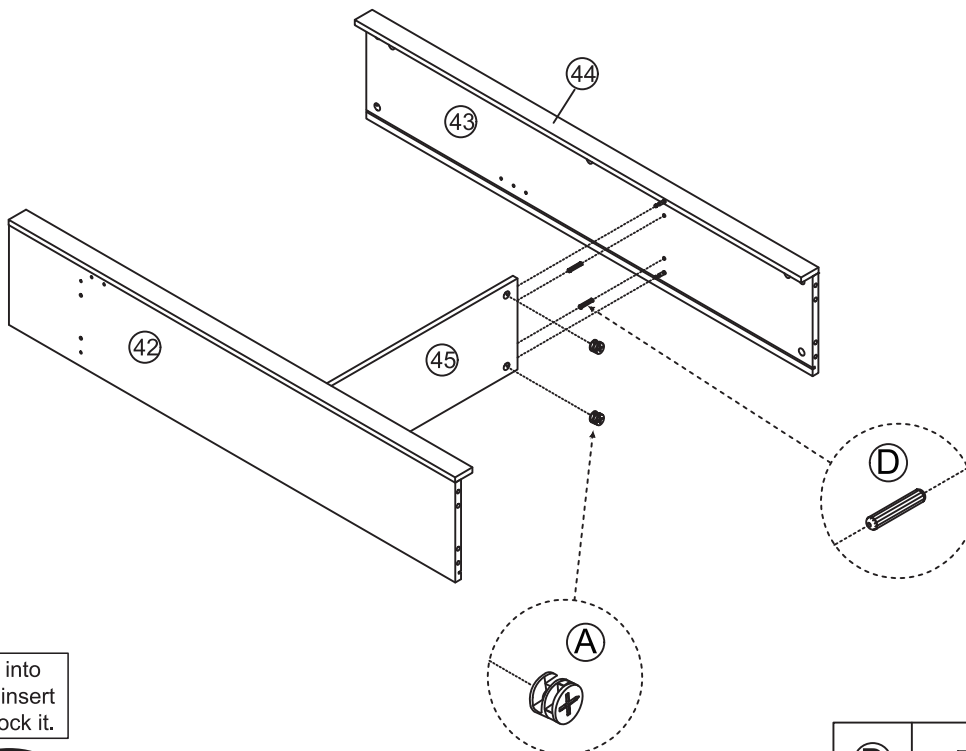
Insert the cam bolt into the hole first, then insert the cam lock and lock it.



Use wooden dowel (C) to connect panel (44) with panel (43), then turn cam lock (A) clockwise to secure. Fix fitting (B) to panel (43).

(C)	$\varnothing 8 \times 30$	x 2
(B)	$\varnothing 6.5 \times 35$	x 2
(A)	$\varnothing 15 \times 9.5$	x 3

## Step 43



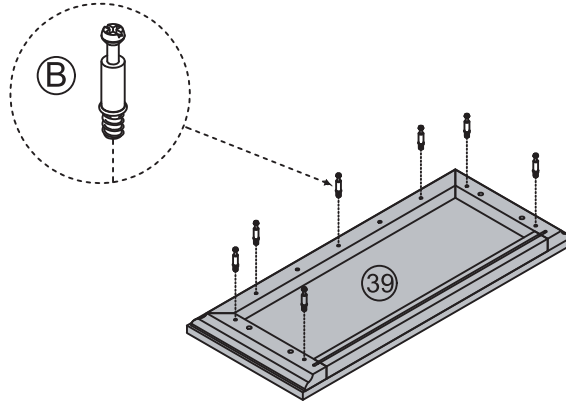
Insert the cam bolt into the hole first, then insert the cam lock and lock it.



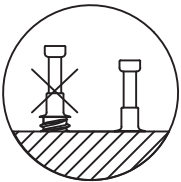
Use wooden dowel (D) to connect panel (45) with panel (43), then turn cam lock (A) clockwise to secure.

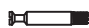
(D)	$\varnothing 6 \times 30$	x 2
(A)	$\varnothing 15 \times 9.5$	x 2

## Step 44

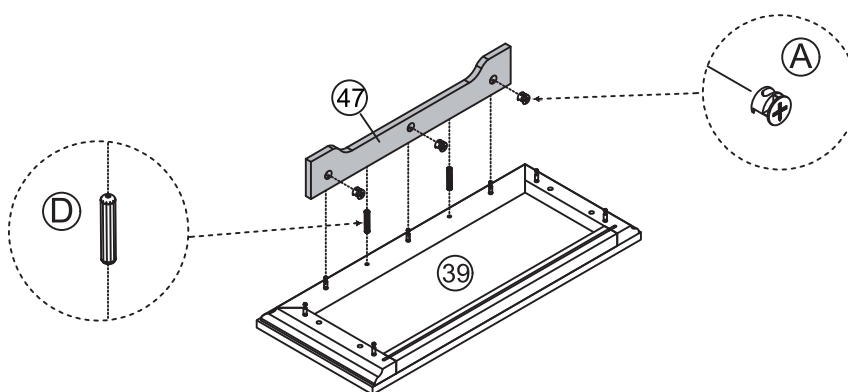


Fix fitting (B) to panel (39).



(B)		x 7
	$\text{Ø}6.5 \times 35$	

## Step 45





Use wooden dowel (D) to connect panel (47) with panel (39), then turn cam lock (A) clockwise to secure.

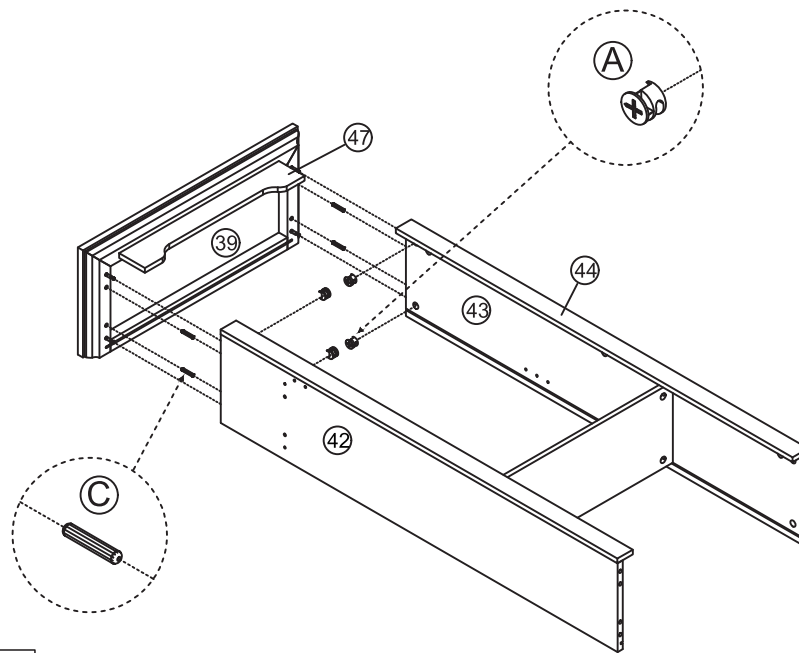
Insert the cam bolt into the hole first, then insert the cam lock and lock it.



Proper orientation of CAM LOCK

(D)		x 2
	$\text{Ø}6 \times 30$	
(A)		x 3
	$\text{Ø}15 \times 9.5$	

## Step 46





Insert the cam bolt into the hole first, then insert the cam lock and lock it.

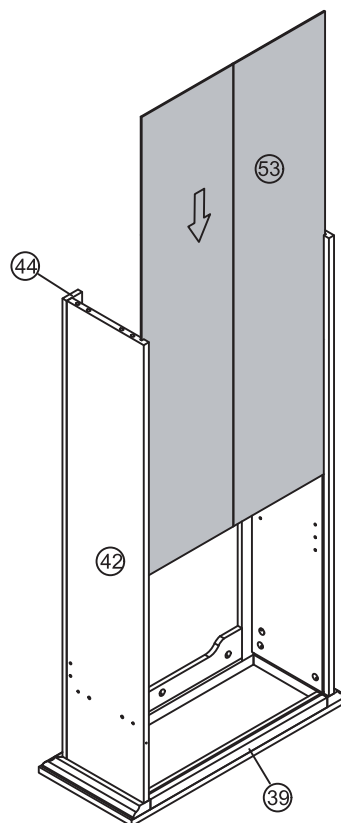
Use wooden dowel (C) to connect panel (39) with panels (42,43), then turn cam lock (A) clockwise to secure.



Proper orientation of CAM LOCK

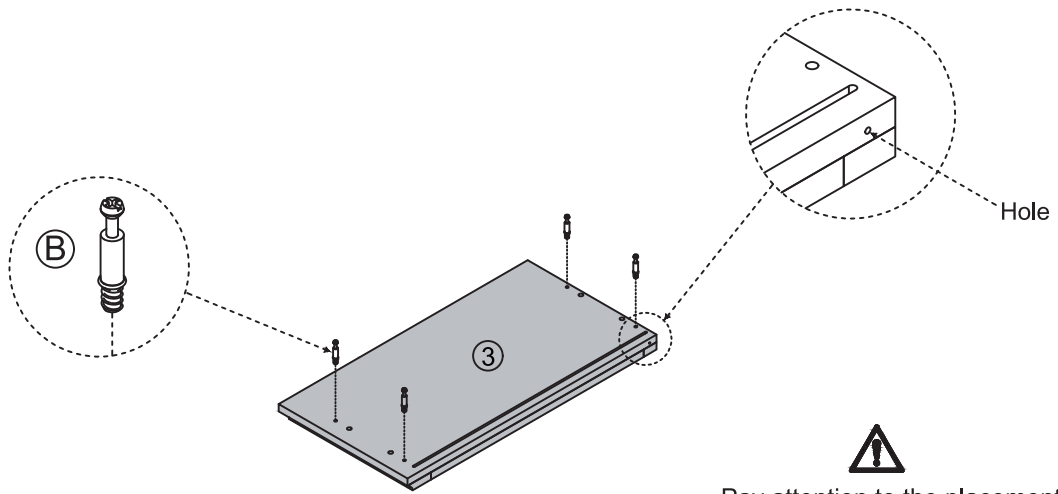
(C)	 ø8*30	x 4
(A)	 Ø15*9.5	x 4

## Step 47



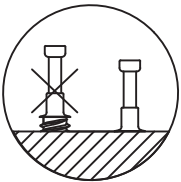
Insert panel (53) into the grooves of panels (42,43).

## Step 48



Pay attention to the placement direction of ③.

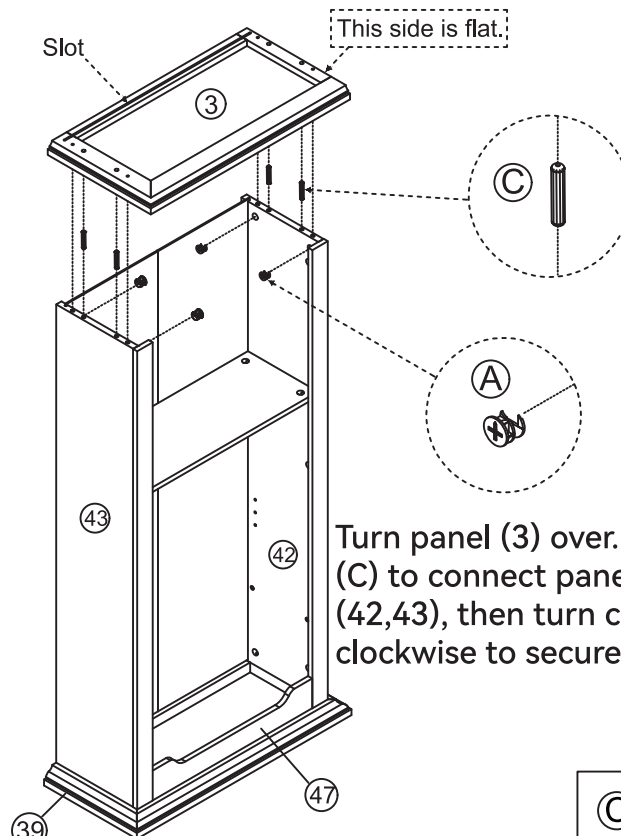
Fix fitting (B) to panel (3).



③		x 4
	<small>Ø6.5*35</small>	

## Step 49

Pay attention to the installation direction of ③.



Turn panel (3) over. Use wooden dowel (C) to connect panel (3) with panels (42,43), then turn cam lock (A) clockwise to secure.

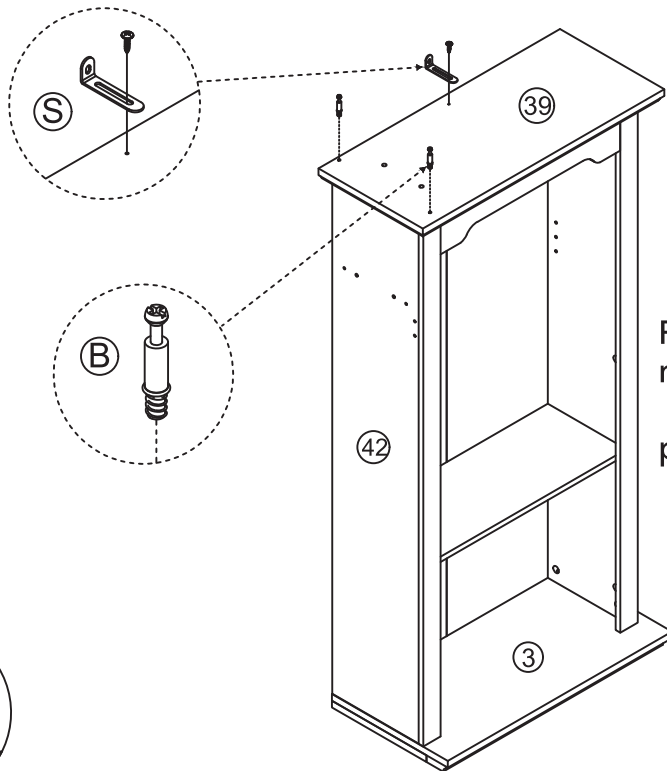
Insert the cam bolt into the hole first, then insert the cam lock and lock it.



Proper orientation of CAM LOCK

③		x 4
	<small>Ø8*30</small>	
④		x 4
	<small>Ø15*9.5</small>	

## Step 50

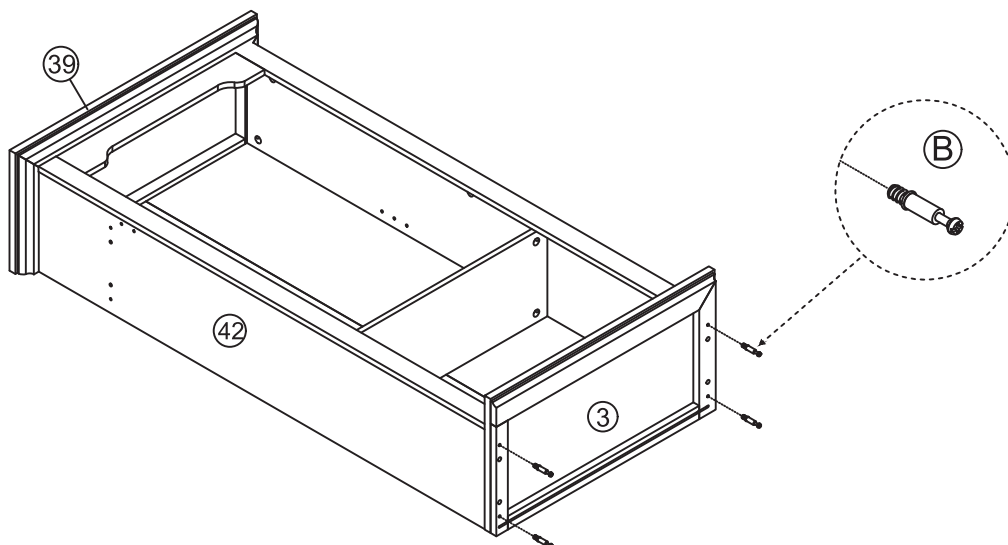


For this step, you need one helper to flip the cabinet .

Fix fitting (B) to panel (39). Use middle screw of fitting (S) to fix L-shaped metal bracket onto panel (39).

(S)		x1set
(B)	<small>∅6.5*35</small>	x 2

## Step 51



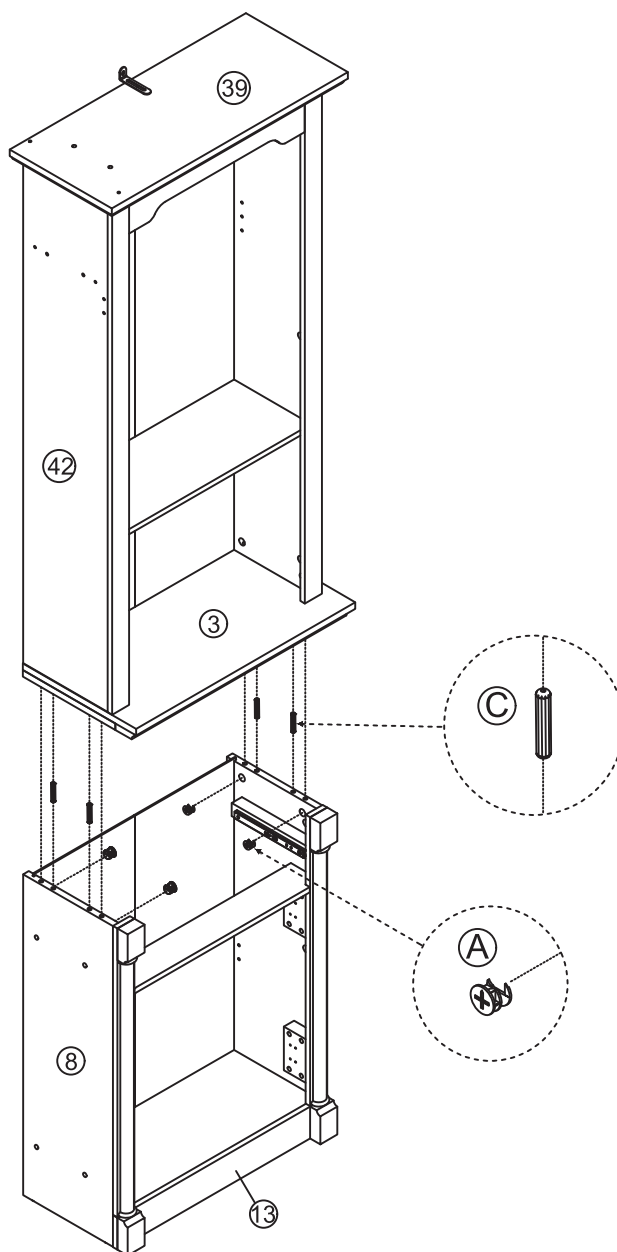
Fix fitting (B) to panel (3).

(B)	<small>∅6.5*35</small>	x 4
-----	------------------------	-----

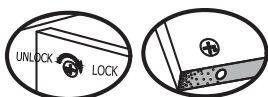
## Step 52



Two people are needed to collaborate on this assembly step.





Insert the cam bolt into the hole first, then insert the cam lock and lock it.

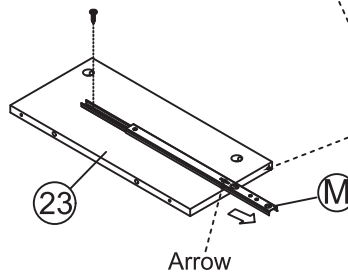
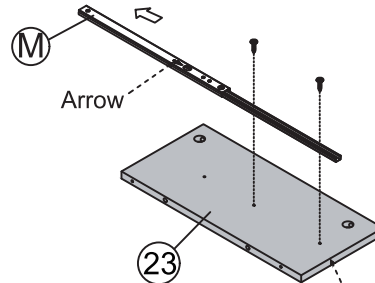
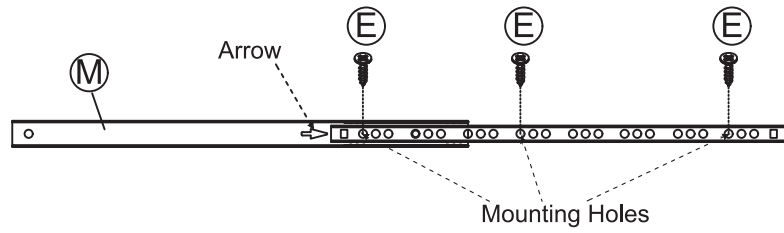



Proper orientation of CAM LOCK

Use wooden dowel (C) to connect panel (3) with panels (8,9), then turn cam lock (A) clockwise to secure.



(C)	 ø8*30	x 4
(A)	 ø15*9.5	x 4

## Step 53



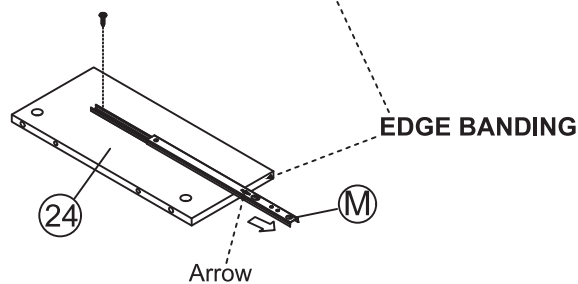
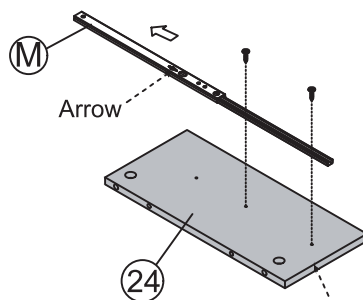
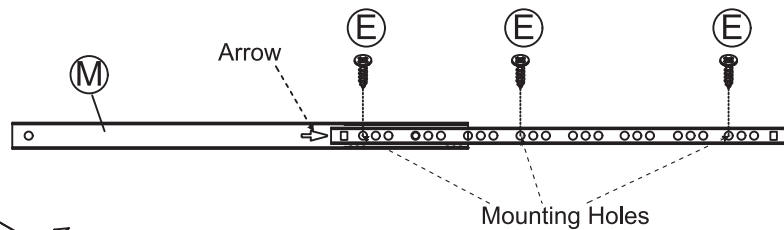
 Pay attention to the installation direction of (M).

EDGE BANDING



(M)	 L=300	x 1
(E)	 ø3.5*12	x 3

Use screw (E) to fix two-section drawer slide (M) onto panel (23).

## Step 54

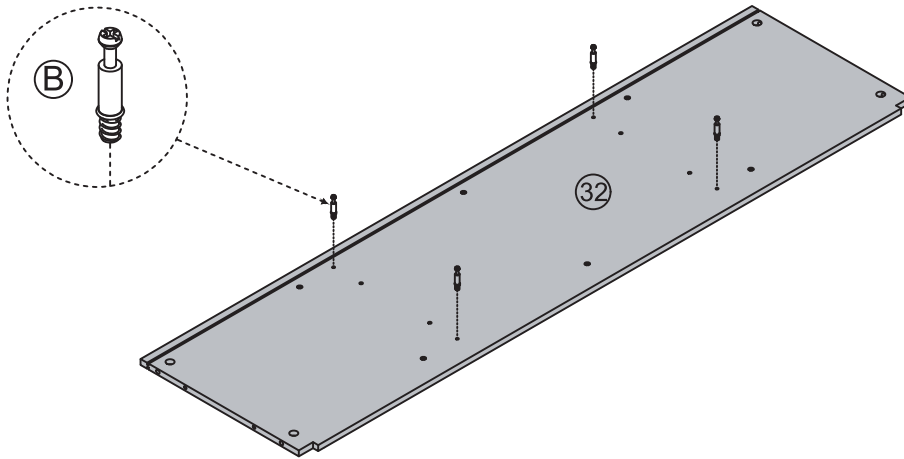


 Pay attention to the installation direction of (M).

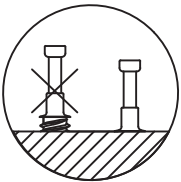
(M)	 L=300	x 1
(E)	 ø3.5*12	x 3

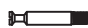
Use screw (E) to fix two-section drawer slide (M) onto panel (24).

## Step 55

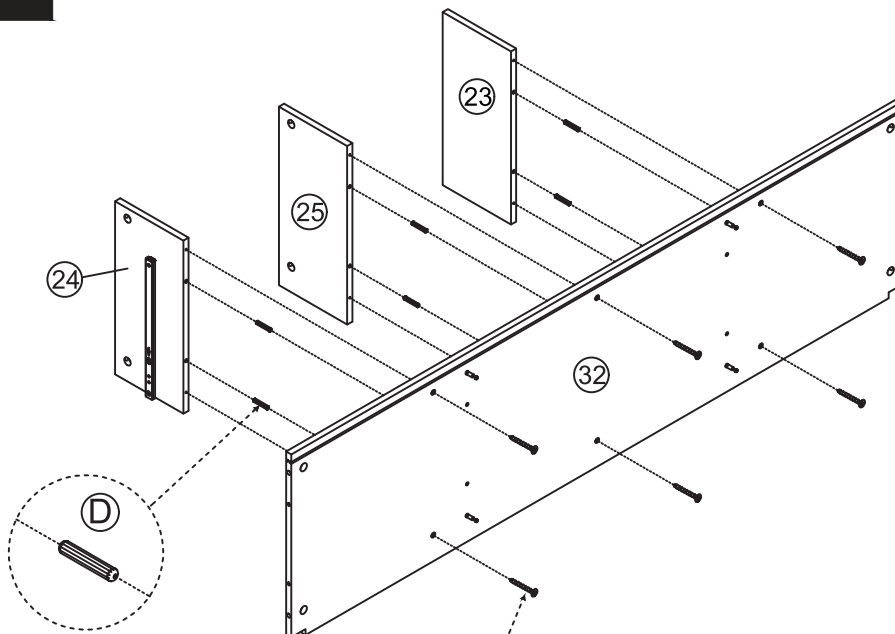


Fix fitting (B) to panel (32).



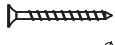

(B)		x 4
<small>Ø6.5*35</small>		

## Step 56

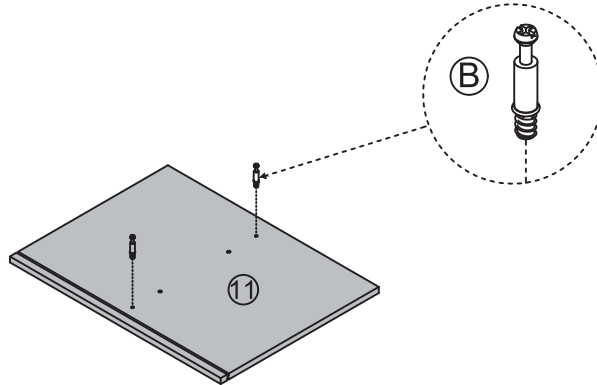


Use wooden dowel (D) to connect panel (32) with panels (23,24,25), then secure with screw (F).

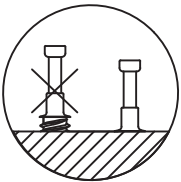
Make sure the screw into the right holes.

(F)		x 6
<small>Ø4*35</small>		
(D)		x 6
<small>Ø6*30</small>		

## Step 57



Fix fitting (B) to panel (11).

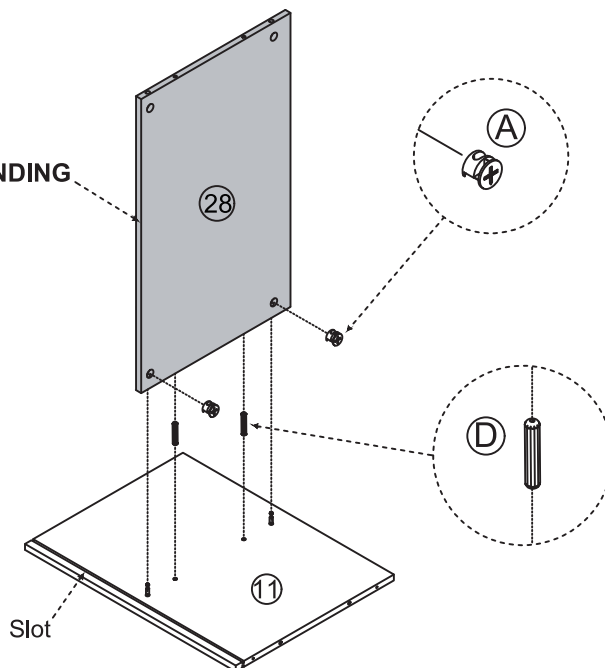


(B)		x 2
	$\text{Ø}6.5 \times 35$	

## Step 58

WITHOUT EDGE BANDING

Pay attention to the installation direction of 11 and 28.



Insert the cam bolt into the hole first, then insert the cam lock and lock it.

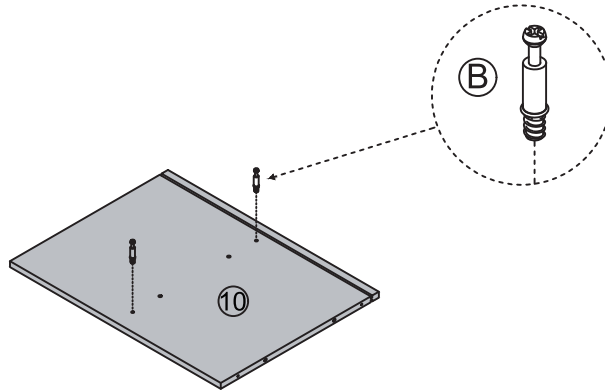
Use wooden dowel (D) to connect panel (28) with panel (11), then turn cam lock (A) clockwise to secure.



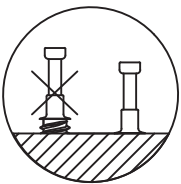
Proper orientation of CAM LOCK

(D)		x 2
	$\text{Ø}6 \times 30$	
(A)		x 2
	$\text{Ø}15 \times 9.5$	

## Step 59

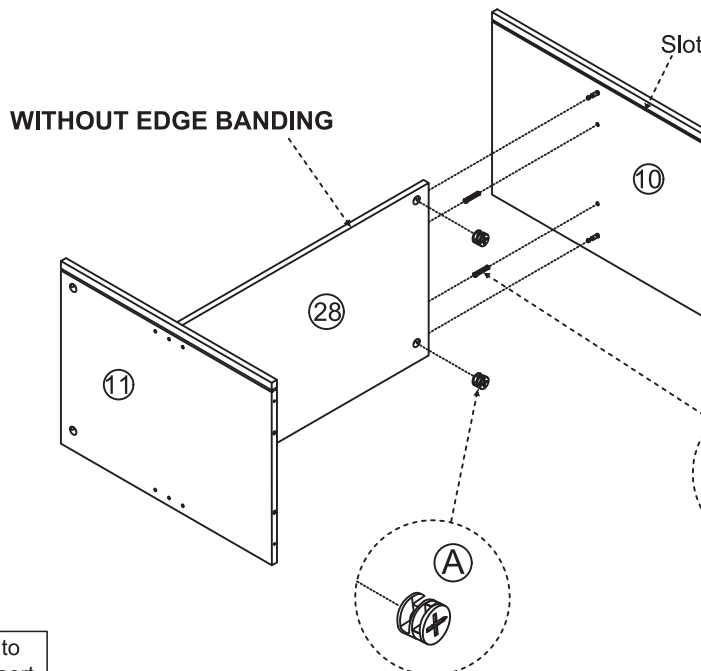


Fix fitting (B) to panel (10).



(B)		x 2
	$\varnothing 6.5 \times 35$	

## Step 60



Pay attention to the installation direction of ⑩ .

Insert the cam bolt into the hole first, then insert the cam lock and lock it.

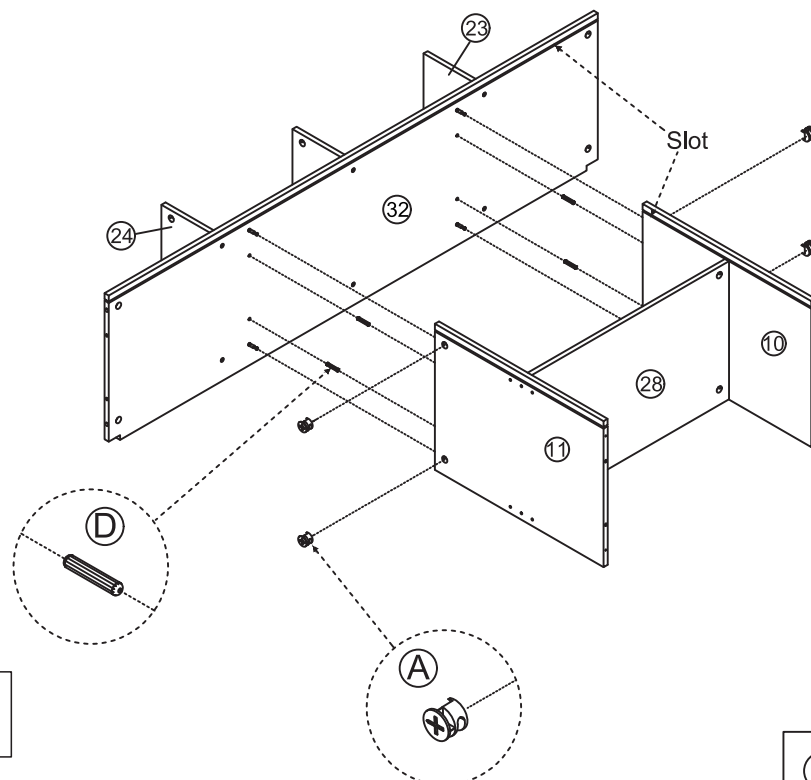
Use wooden dowel (D) to connect panel (10) with panel (28), then turn cam lock (A) clockwise to secure.



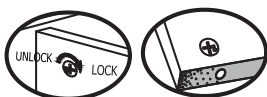
Proper orientation of CAM LOCK

(D)		x 2
	$\varnothing 6 \times 30$	
(A)		x 2
	$\varnothing 15 \times 9.5$	

## Step 61





Insert the cam bolt into the hole first, then insert the cam lock and lock it.

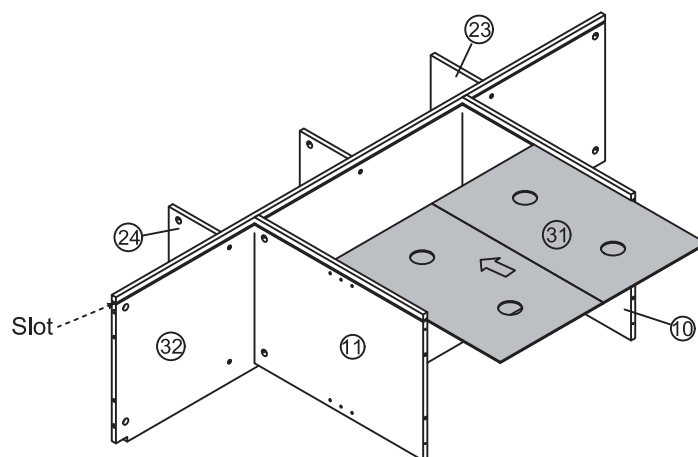


Proper orientation of CAM LOCK

Use wooden dowel (D) to connect panel (32) with panels (10,11), then turn cam lock (A) clockwise to secure.

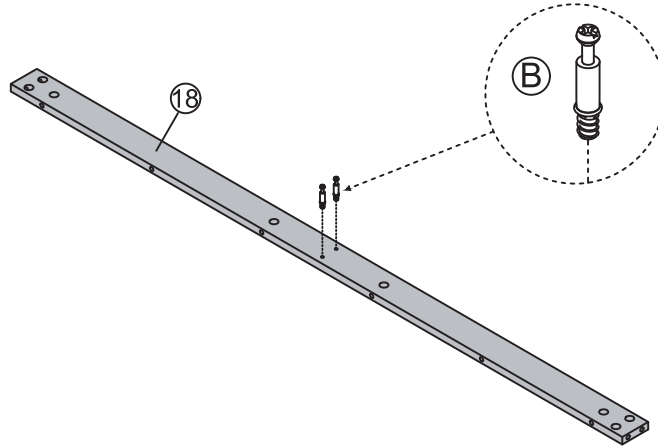
(D)	 $\varnothing 6 \times 30$	x 4
(A)	 $\varnothing 15 \times 9.5$	x 4

## Step 62

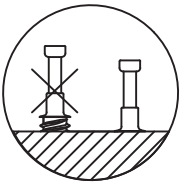


Insert panel (31) into the grooves of panels (10,11,32).

## Step 63



Fix fitting (B) to panel (18).



(B)



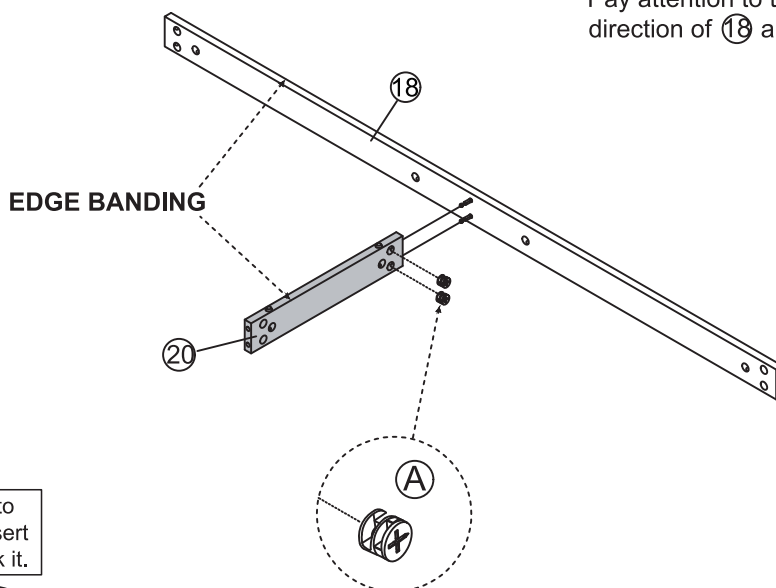
x 2

Ø6.5\*35

## Step 64



Pay attention to the installation direction of (18) and (20).



Insert the cam bolt into the hole first, then insert the cam lock and lock it.



Proper orientation of CAM LOCK

Turn cam lock (A) clockwise to fix panel (20) onto panel (18).

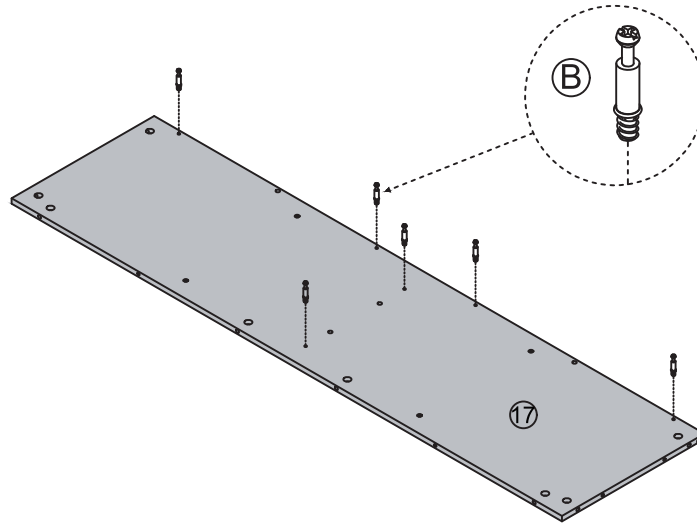
(A)



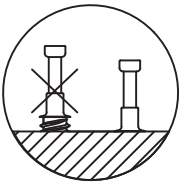
x 2

Ø15\*9.5

## Step 65



Fix fitting (B) to panel (17).

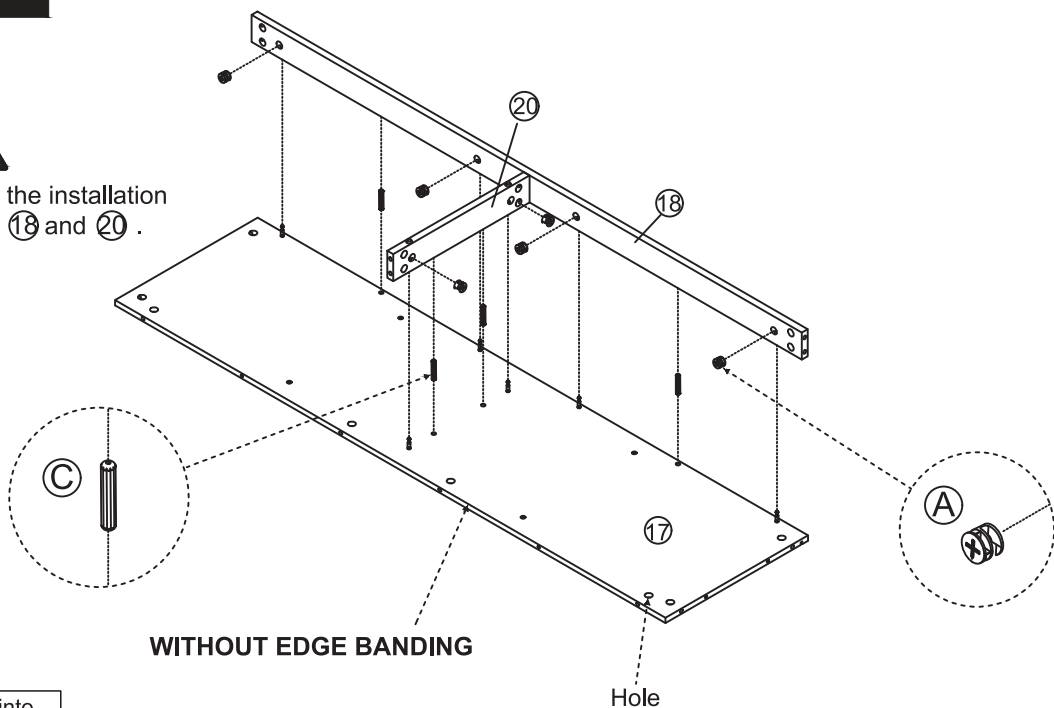


(B)		x6
	$\varnothing 6.5 \times 35$	

## Step 66



Pay attention to the installation direction of 17, 18 and 20.



WITHOUT EDGE BANDING

Hole

Insert the cam bolt into the hole first, then insert the cam lock and lock it.

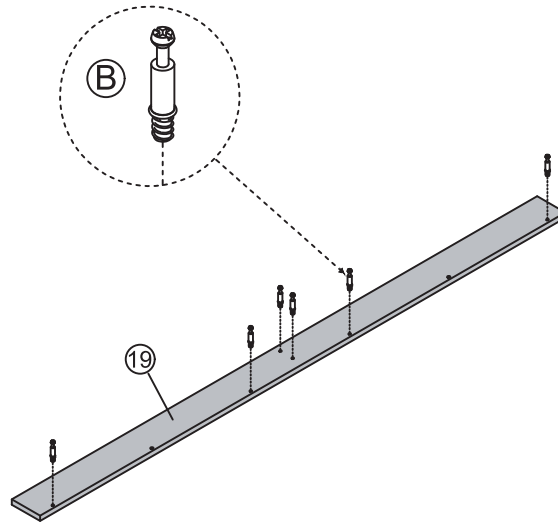
Use wooden dowel (C) to connect panels (18,20) with panel (17), then turn cam lock (A) clockwise to secure.



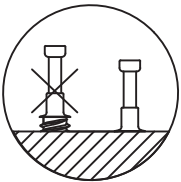
Proper orientation of CAM LOCK

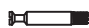
(C)		x 4
	$\varnothing 8 \times 30$	
(A)		x 6
	$\varnothing 15 \times 9.5$	

## Step 67

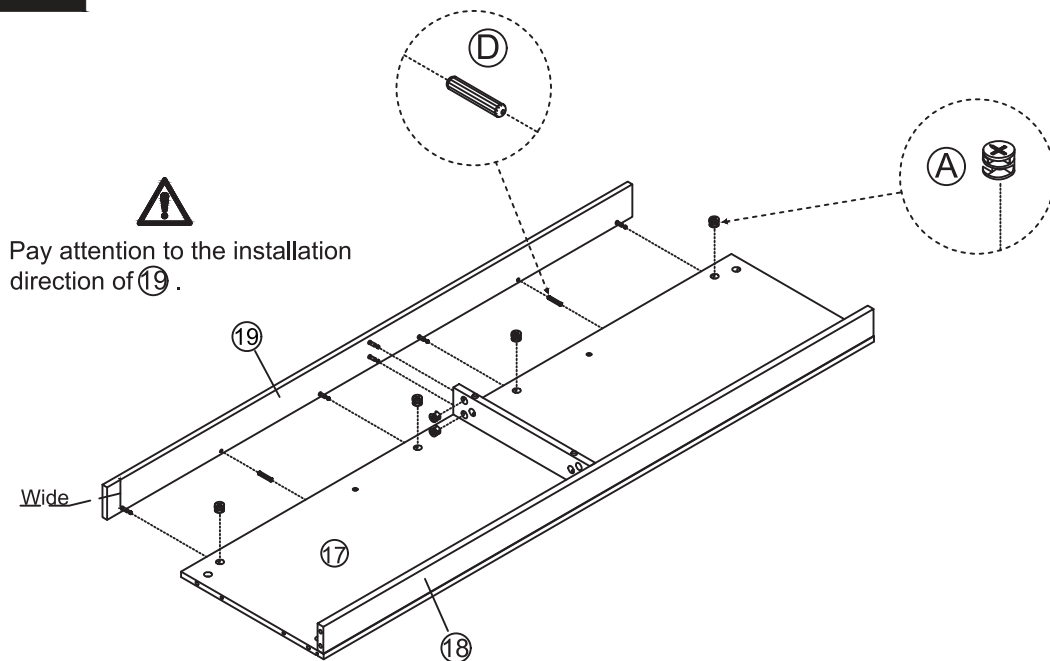


Fix fitting (B) to panel (19).



(B)		x6
	$\text{Ø}6.5 \times 35$	

## Step 68





Pay attention to the installation direction of 19.

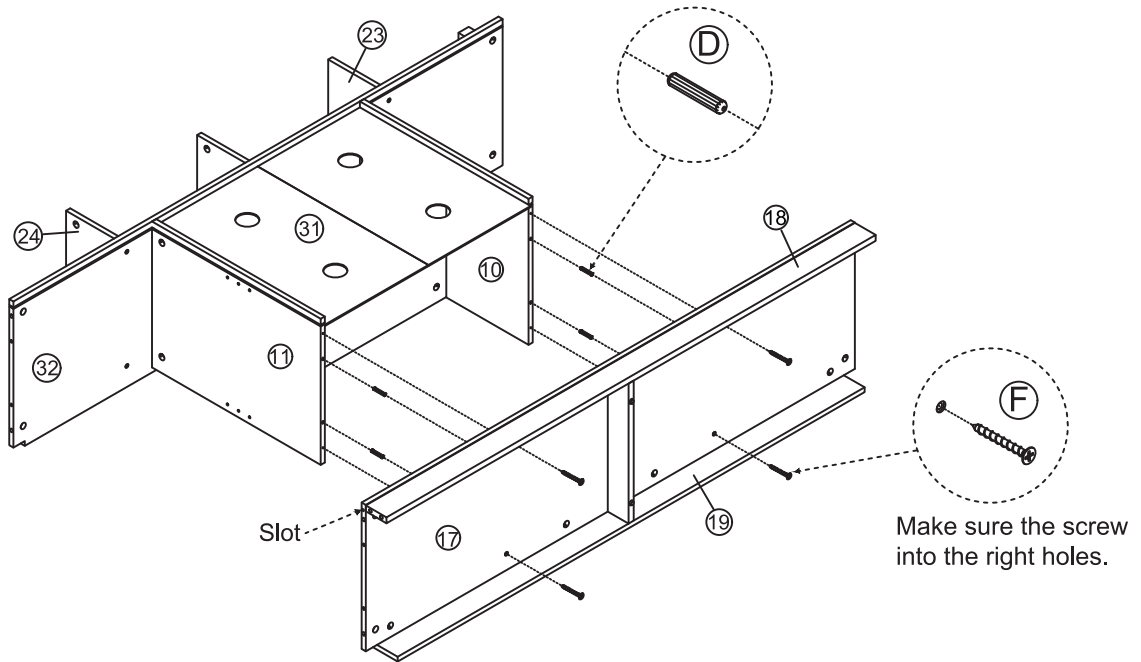
Insert the cam bolt into the hole first, then insert the cam lock and lock it.

Use wooden dowel (D) to connect panel (19) with panels (17,20), then turn cam lock (A) clockwise to secure.



(D)		x 2
	$\text{Ø}6 \times 30$	
(A)		x 6
	$\text{Ø}15 \times 9.5$	

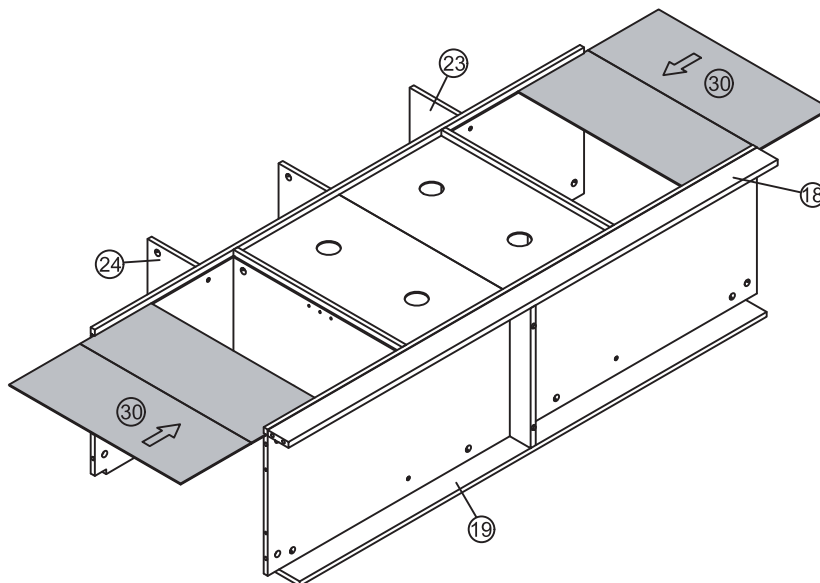
## Step 69



Align panel (31) with the groove on panel (17). Use wooden dowel (D) to connect panels (17) with panels (10,11,31), then secure with screw (F).

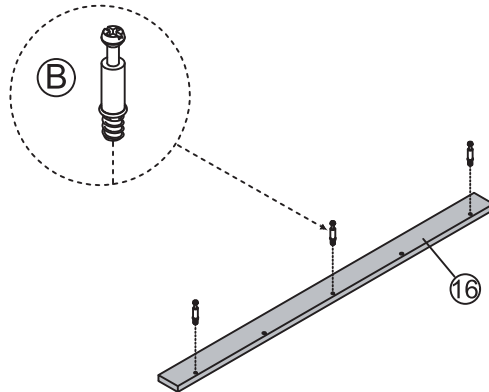
(F)	$\phi 4 \times 35$	x 4
(D)	$\phi 6 \times 30$	x 4

## Step 70

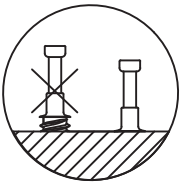


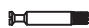
Insert panel (30) into the grooves of panels (10,11,17,32).

## Step 71



Fix fitting (B) to panel (16).

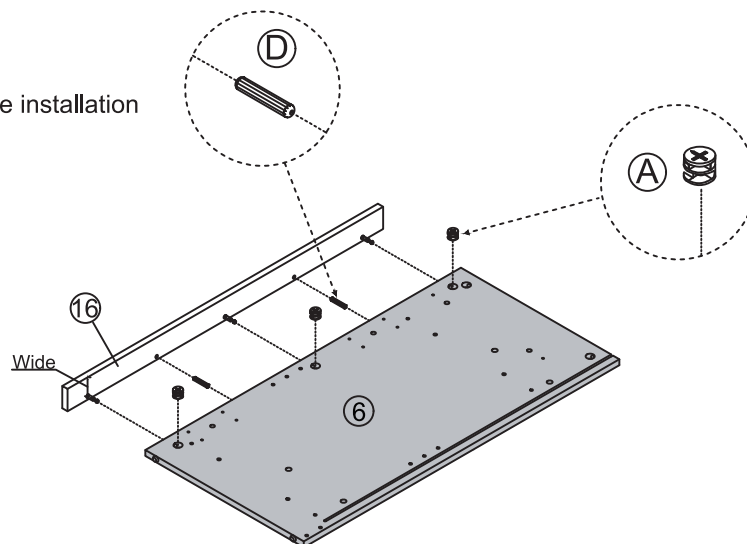


(B)		x3
	$\text{Ø}6.5 \times 35$	

## Step 72

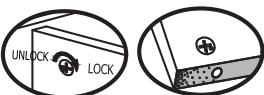


Pay attention to the installation direction of 16.





Insert the cam bolt into the hole first, then insert the cam lock and lock it.

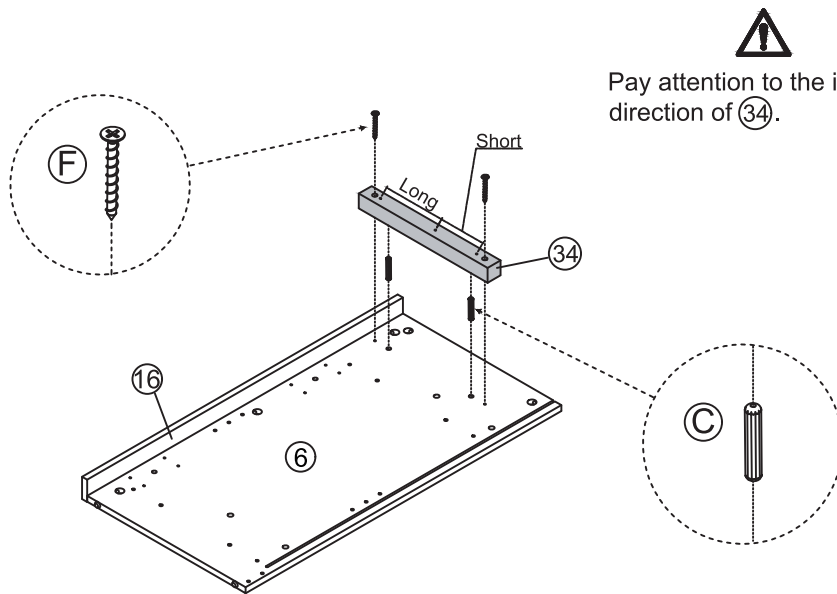
Use wooden dowel (D) to connect panel (16) with panel (6), then turn cam lock (A) clockwise to secure.



Proper orientation of CAM LOCK

(D)		x 2
	$\text{Ø}6 \times 30$	
(A)		x 3
	$\text{Ø}15 \times 9.5$	

## Step 73

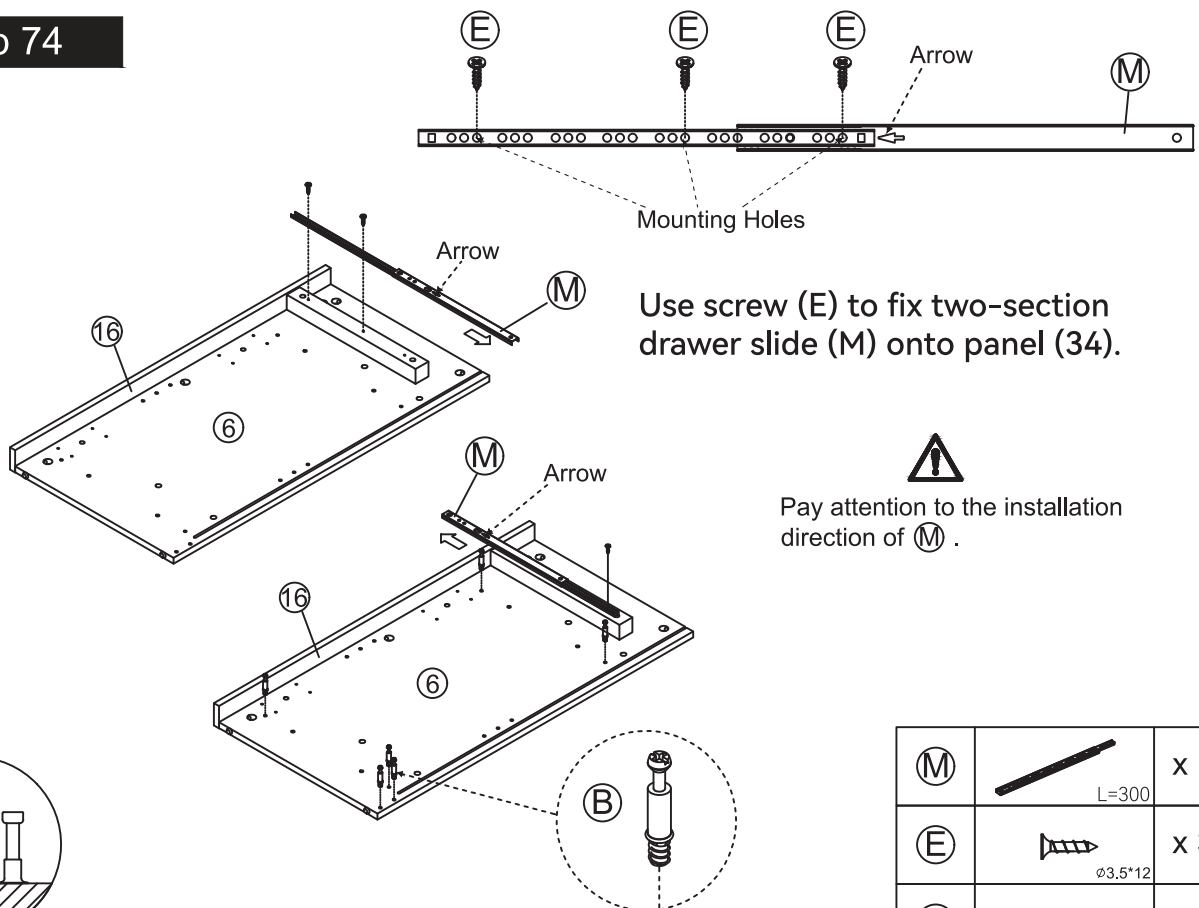


Pay attention to the installation direction of (34).

Use wooden dowel (C) to connect panel (34) with panel (6), then secure with screw (F).

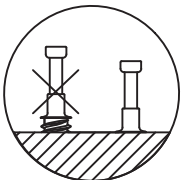
(F)	$\phi 4 \times 35$	x 2
(C)	$\phi 8 \times 30$	x 2

## Step 74



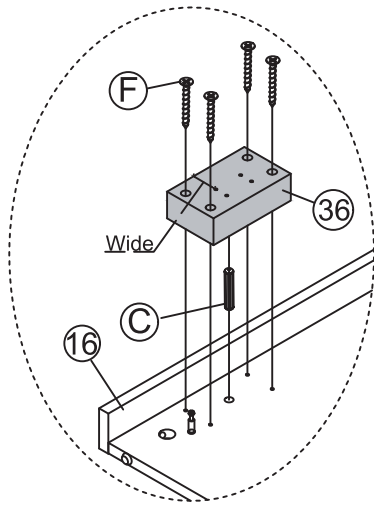
Use screw (E) to fix two-section drawer slide (M) onto panel (34).

Pay attention to the installation direction of (M).

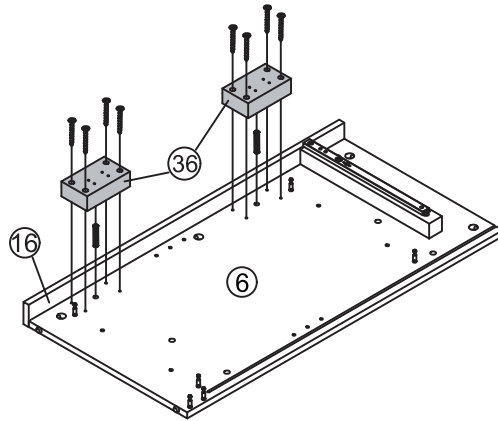


(M)	L=300	x 1
(E)	$\phi 3.5 \times 12$	x 3
(B)	$\phi 6.5 \times 35$	x 6



## Step 75



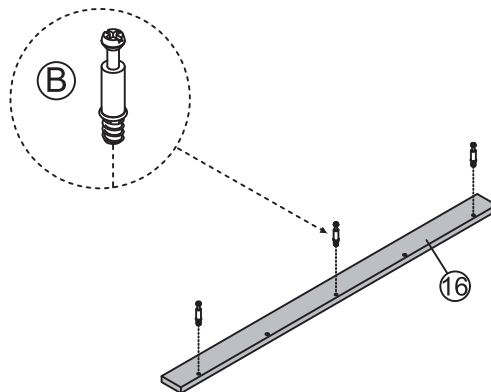
Pay attention to the installation direction of (36) .



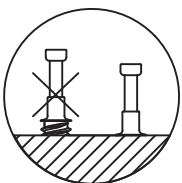
Use wooden dowel (C) to connect panel (36) with panel (6), then secure with screw (F).

(F)	 Ø4*35	x 8
(C)	 Ø8*30	x 2

## Step 76




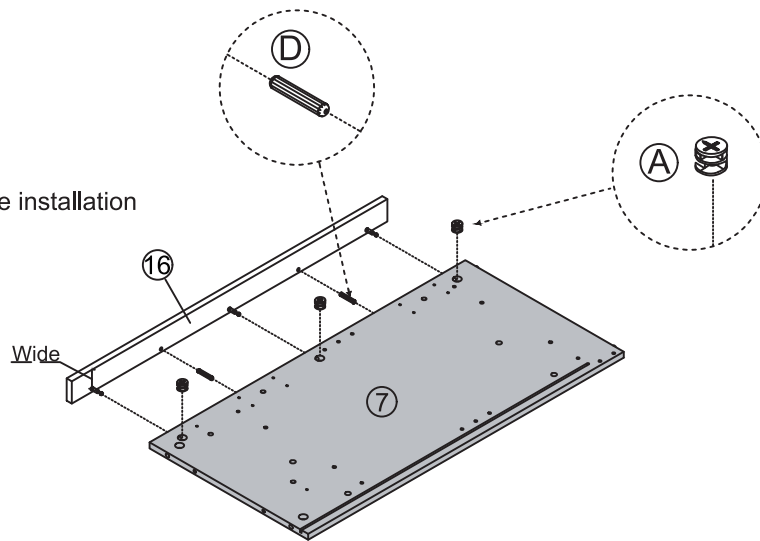
Fix fitting (B) to panel (16).



(B)	 Ø6.5*35	x3
-----	--	----

## Step 77

 Pay attention to the installation direction of 16.





Insert the cam bolt into the hole first, then insert the cam lock and lock it.




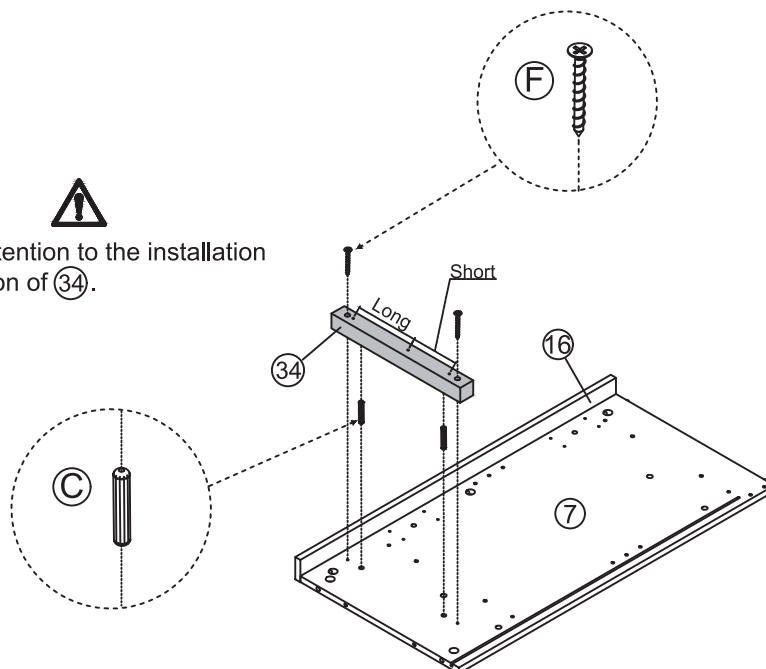
Proper orientation of CAM LOCK

Use wooden dowel (D) to connect panel (16) with panel (7), then turn cam lock (A) clockwise to secure.

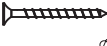

(D)	 ø6*30	x 2
(A)	 ø15*9.5	x 3

## Step 78

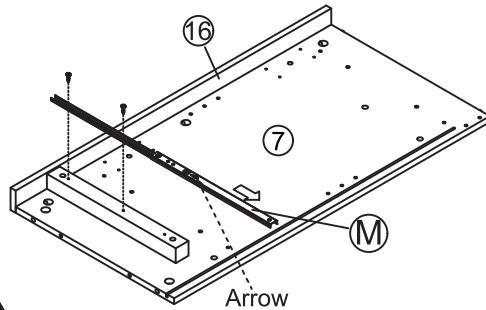
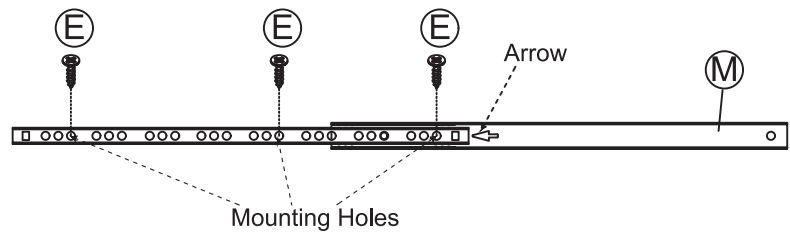
 Pay attention to the installation direction of 34.



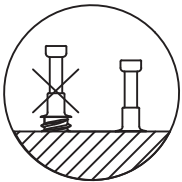
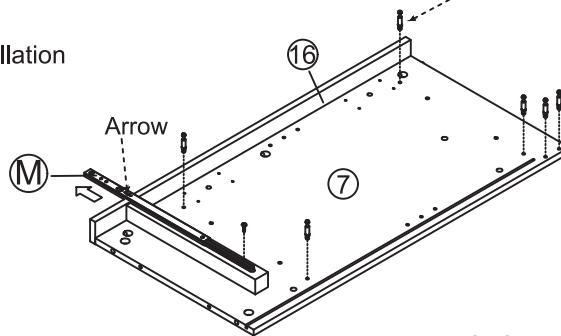
Use wooden dowel (C) to connect panel (34) with panel (7), then secure with screw (F).

(F)	 ø4*35	x 2
(C)	 ø8*30	x 2




## Step 79



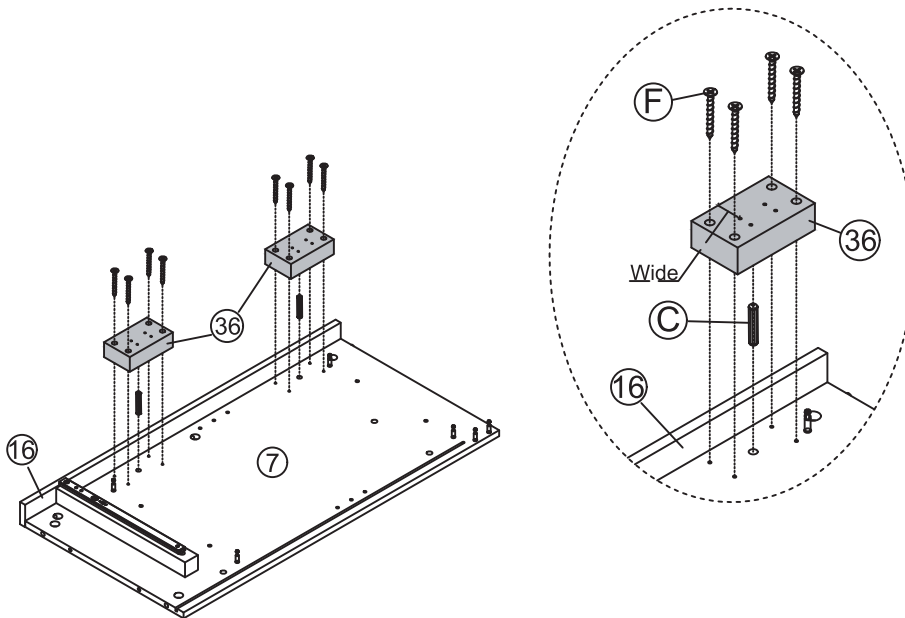
Pay attention to the installation direction of (M).



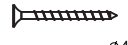

Use screw (E) to fix two-section drawer slide (M) onto panel (34), then fix fitting (B) onto panel (7).

(M)	 L=300	x 1
(E)	 ø3,5*12	x 3
(B)	 ø6,5*35	x 6

## Step 80

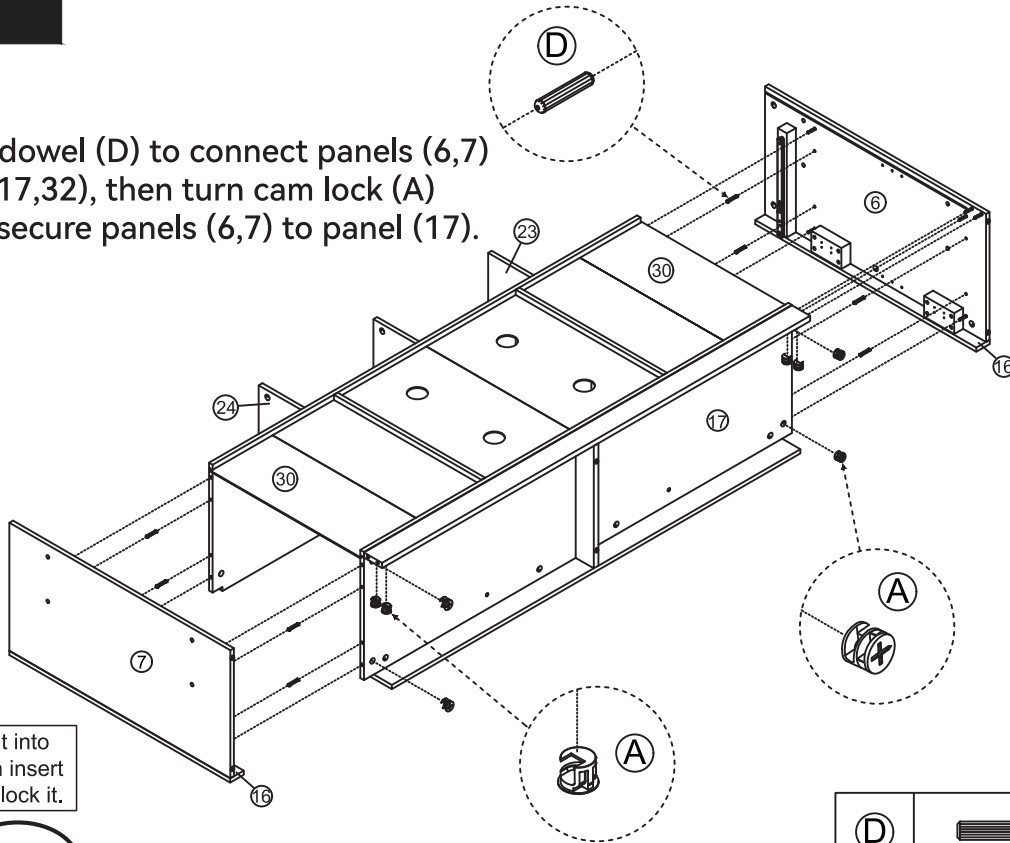


Use wooden dowel (C) to connect panel (36) with panel (7), then secure with screw (F).

(F)	 ø4*35	x 8
(C)	 ø8*30	x 2

## Step 81



Use wooden dowel (D) to connect panels (6,7) with panels (17,32), then turn cam lock (A) clockwise to secure panels (6,7) to panel (17).



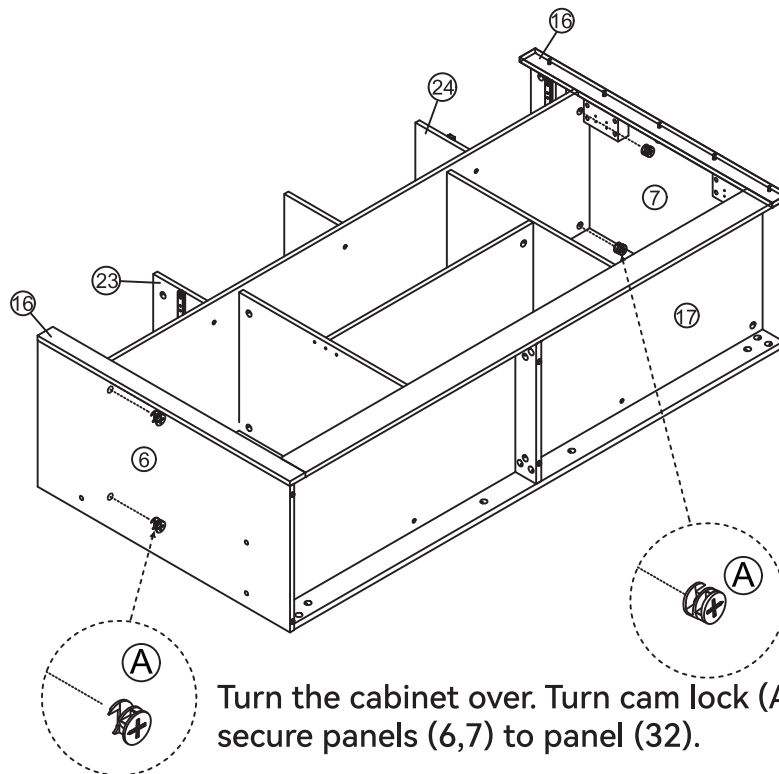
Insert the cam bolt into the hole first, then insert the cam lock and lock it.



Proper orientation of CAM LOCK

(D)		x 8 ø6*30
(A)		x 8 Ø15*9.5

## Step 82



Insert the cam bolt into the hole first, then insert the cam lock and lock it.

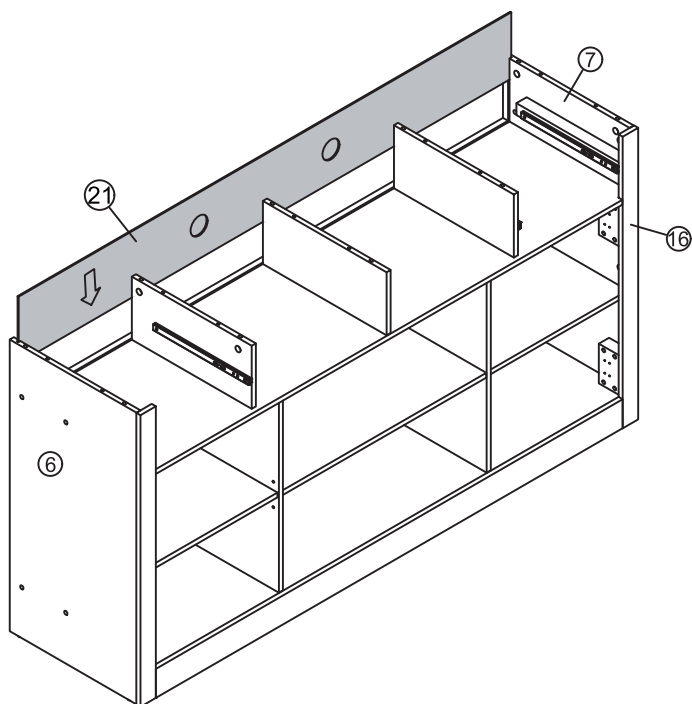


Proper orientation of CAM LOCK

Turn the cabinet over. Turn cam lock (A) clockwise to secure panels (6,7) to panel (32).

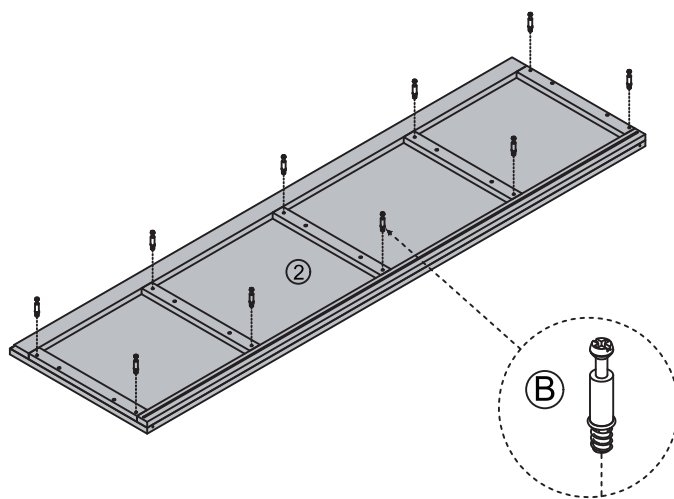
(A)		x 4 Ø15*9.5
-----	---	----------------

### Step 83

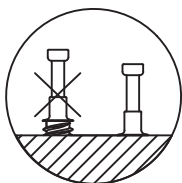


Insert panel (21) into the grooves of panels (6,7,32).

### Step 84

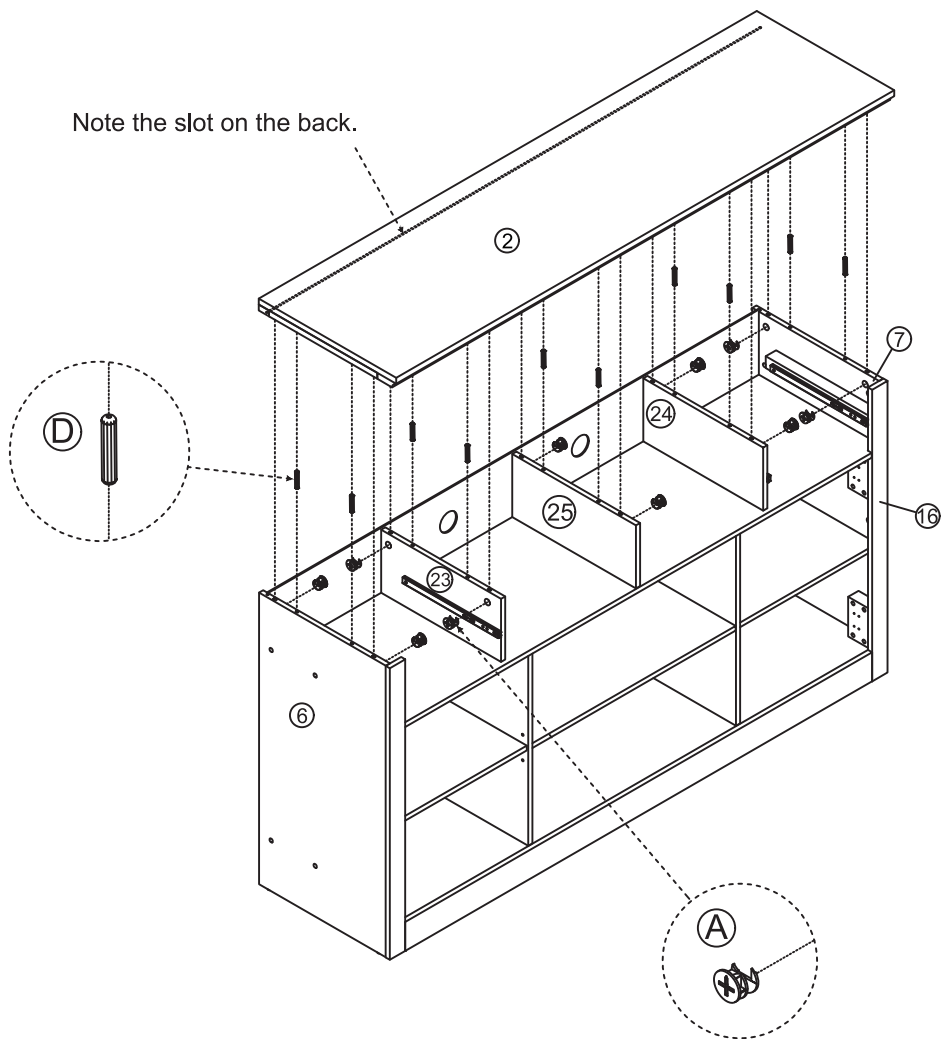


Fix fitting (B) to panel (2).



(B)	$\text{Ø}6.5 \times 35$	x10
-----	-------------------------	-----

## Step 85





Turn panel (2) over as shown. Align the groove of panel (2) with panel (21). Use wooden dowel (D) to connect panel (2) with panels (6,7,23,24,25), then turn cam lock (A) clockwise to secure.

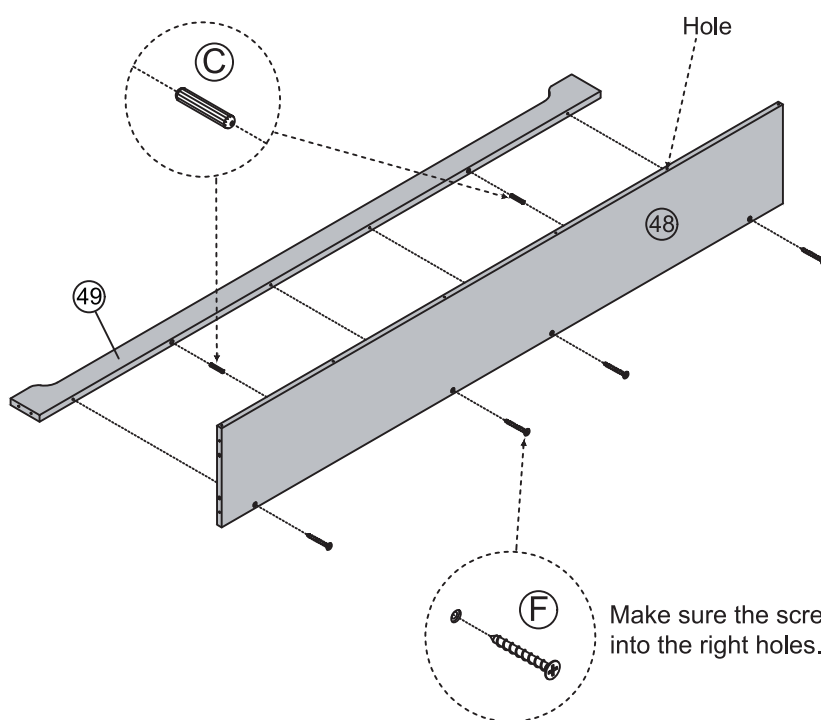
Insert the cam bolt into the hole first, then insert the cam lock and lock it.



Proper orientation of CAM LOCK

(D)	 ø6*30	x10
(A)	 ø15*9.5	x10

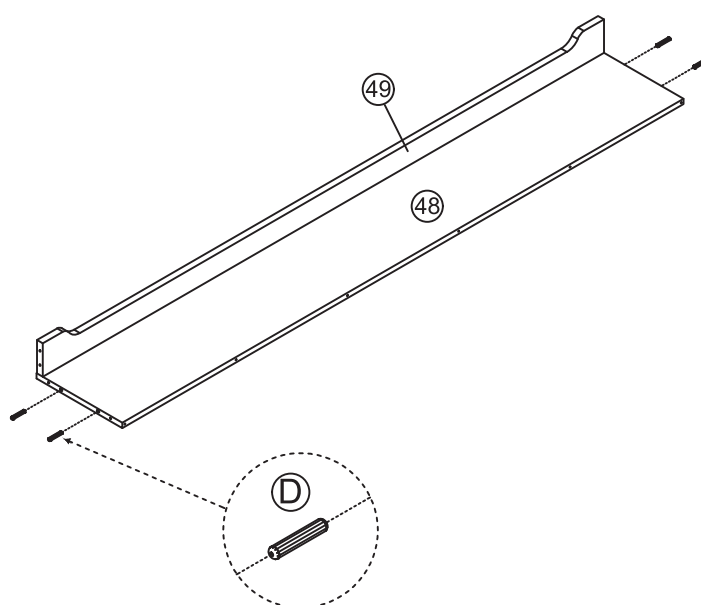
## Step 86



Use wooden dowel (C) to connect panel (48) with panel (49), then secure with screw (F).

(F)	$\phi 4 \times 35$	x 4
(C)	$\phi 8 \times 30$	x 2

## Step 87



Insert wooden dowel (D) into the corresponding holes of panel (48).

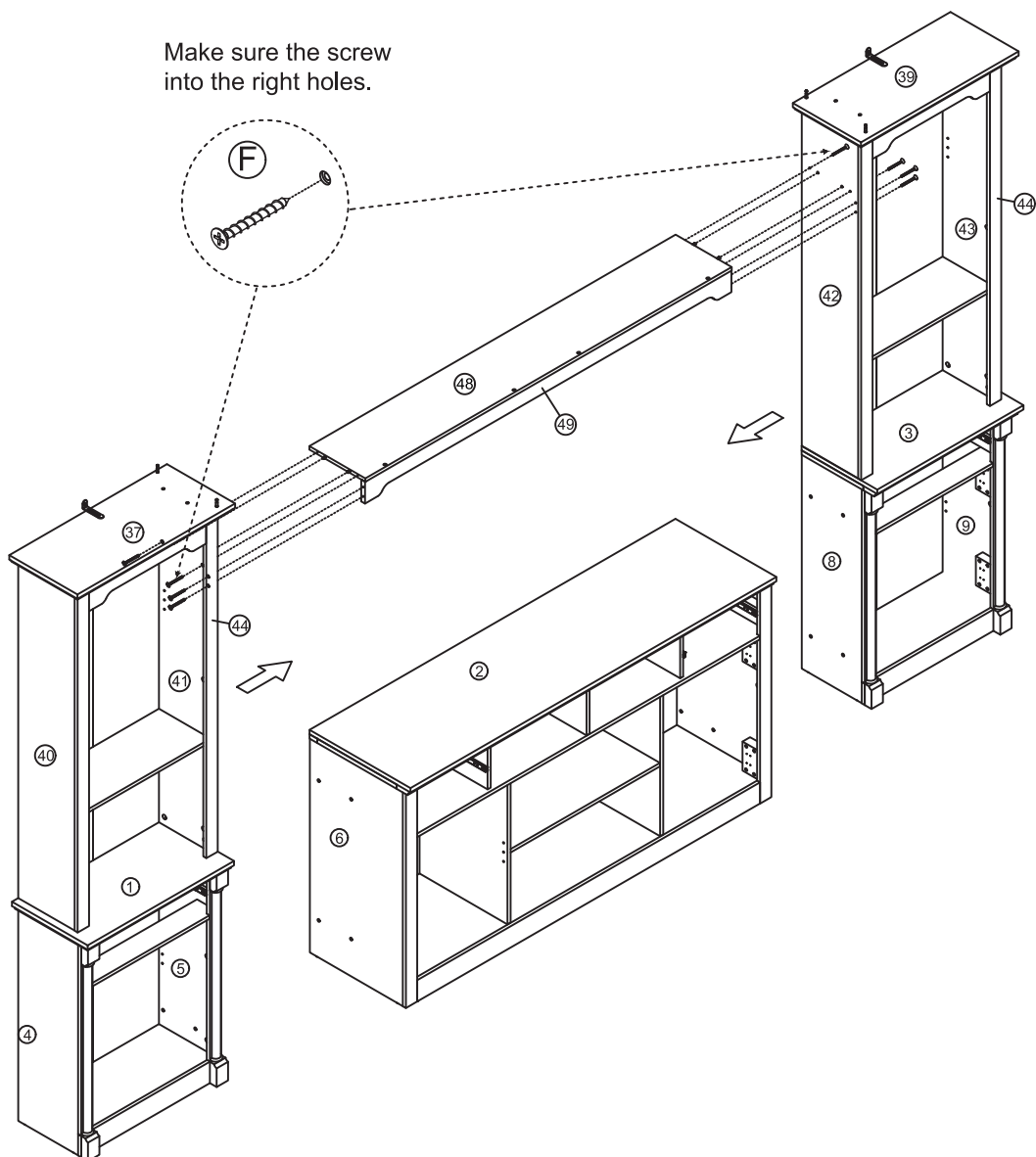
(D)	$\phi 6 \times 30$	x4
-----	--------------------	----

## Step 88



Two people are needed to collaborate on this assembly step.

Make sure the screw into the right holes.



Two people required. Connect panels (48,49) with panels (41,42) and secure with screw (F).

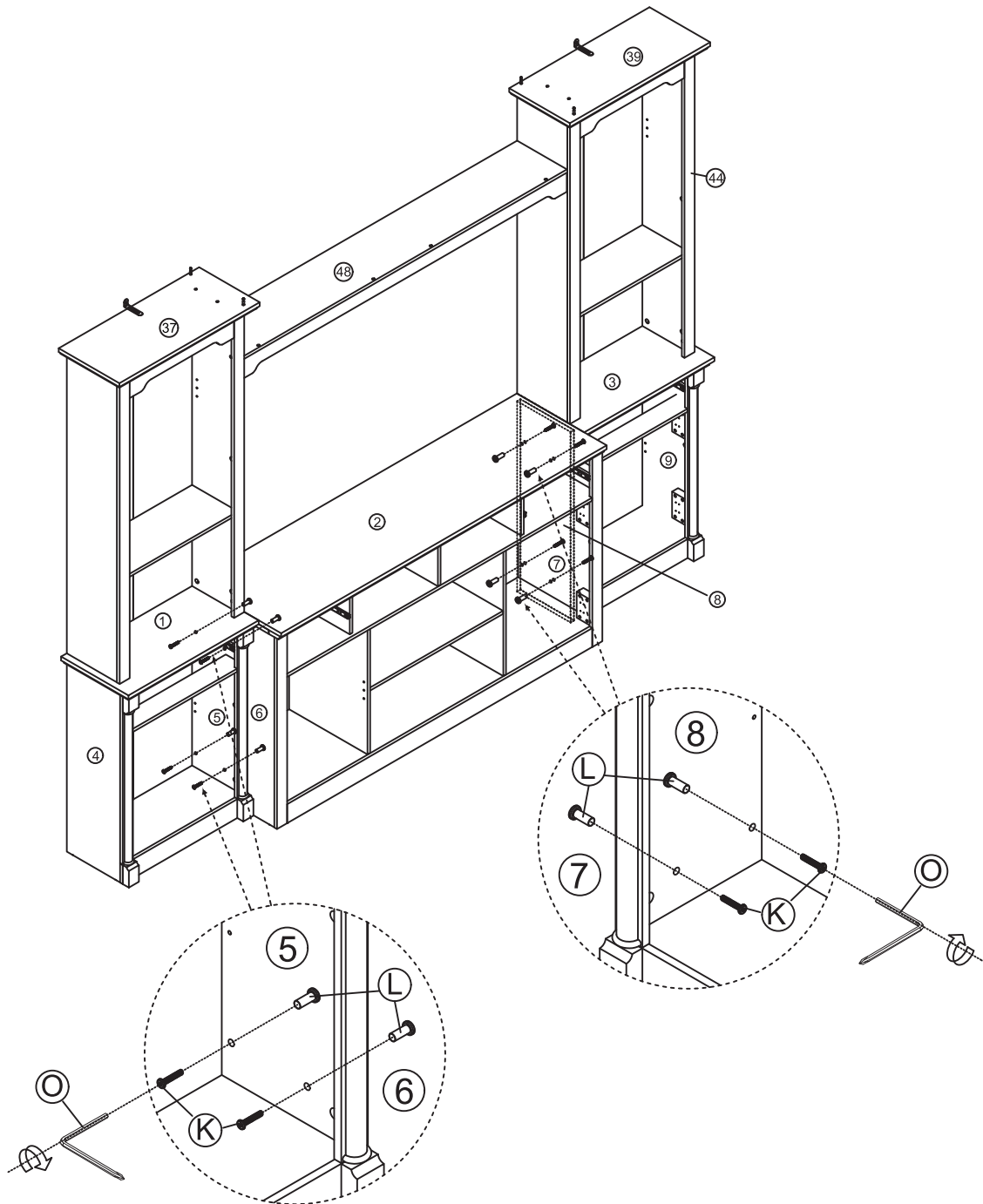
(F)






x 8

ø4\*35

## Step 89

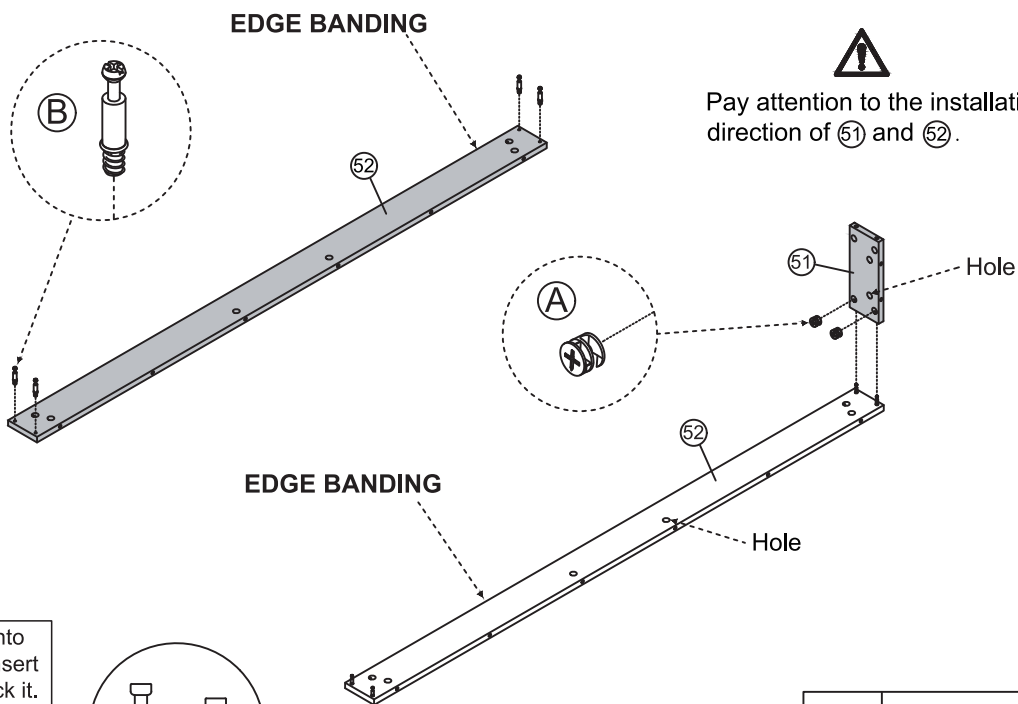


Insert fitting (L) through the hole in panel (6). Insert screw (K) through the corresponding hole in panel (5), then tighten clockwise with wrench (O) to secure panels (5) and (6).  
 Insert fitting (L) through the hole in panel (7). Insert screw (K) through the corresponding hole in panel (8), then tighten clockwise with wrench (O) to secure panels (7) and (8).

⊙	 M4*100(60)	x 1
Ⓛ	 ø8*20	x 8
Ⓚ	 M6*20	x 8

## Step 90

Fix fitting (B) to panel (52). Connect panel (51) with panel (52) and turn cam lock (A) clockwise to secure.

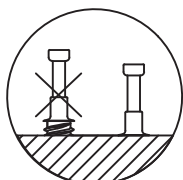


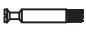

Pay attention to the installation direction of (51) and (52).

Insert the cam bolt into the hole first, then insert the cam lock and lock it.

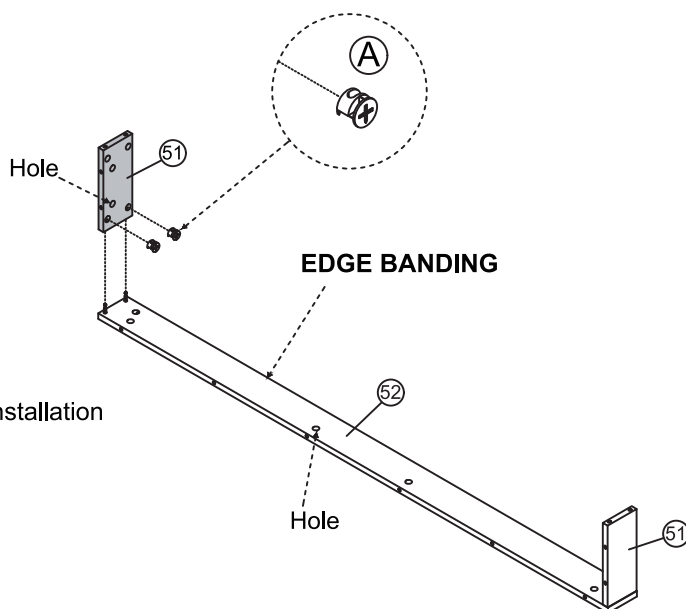


Proper orientation of CAM LOCK



(B)	 Ø6.5*35	x4
(A)	 Ø15*9.5	x2

## Step 91



Pay attention to the installation direction of (51).

Insert the cam bolt into the hole first, then insert the cam lock and lock it.

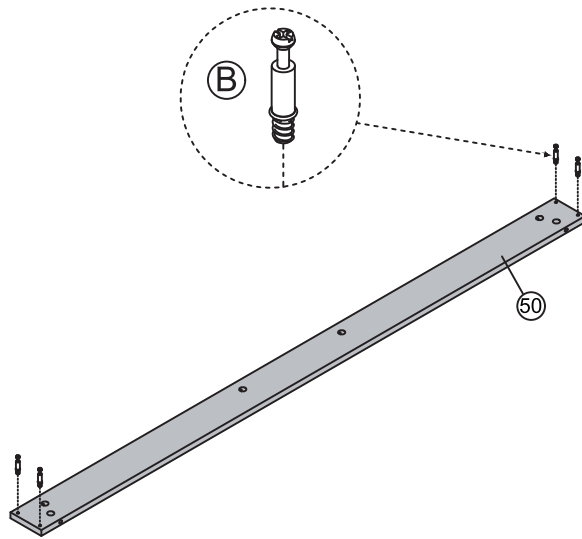


Proper orientation of CAM LOCK

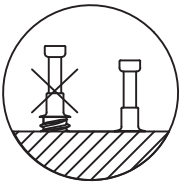
Connect panel (51) with panel (52) and turn cam lock (A) clockwise to secure.

(A)	 Ø15*9.5	x 2
-----	--	-----

## Step 92



Fix fitting (B) to panel (50).



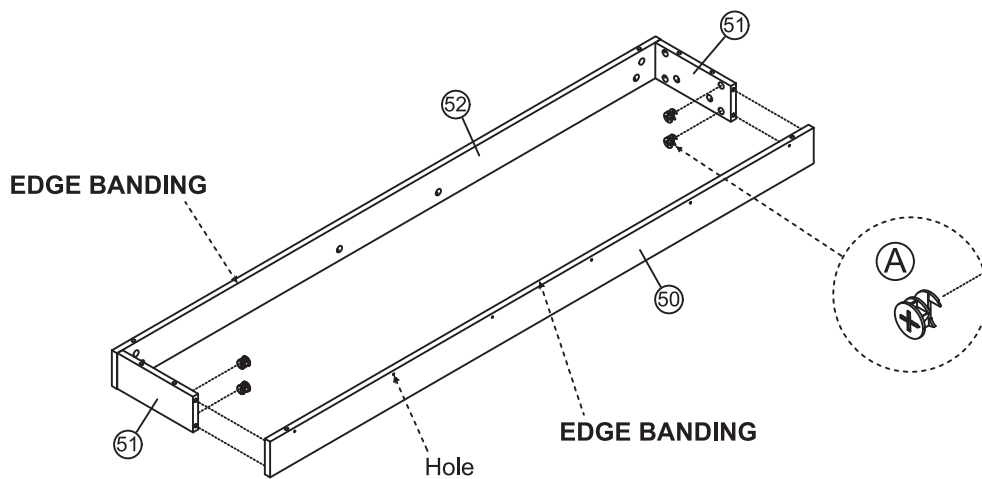
(B)



x4

Ø6.5\*35

## Step 93



Insert the cam bolt into the hole first, then insert the cam lock and lock it.



Pay attention to the installation direction of (50).



Proper orientation of CAM LOCK

Connect panel (50) with panel (51) and turn cam lock (A) clockwise to secure.

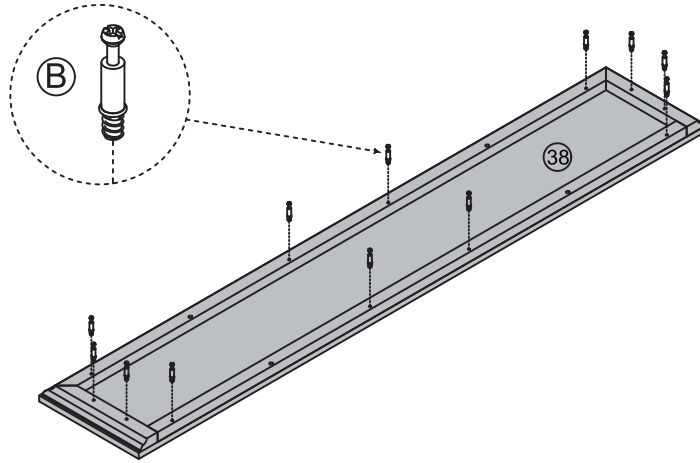
(A)



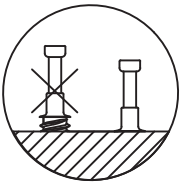
x 4

Ø15\*9.5

## Step 94

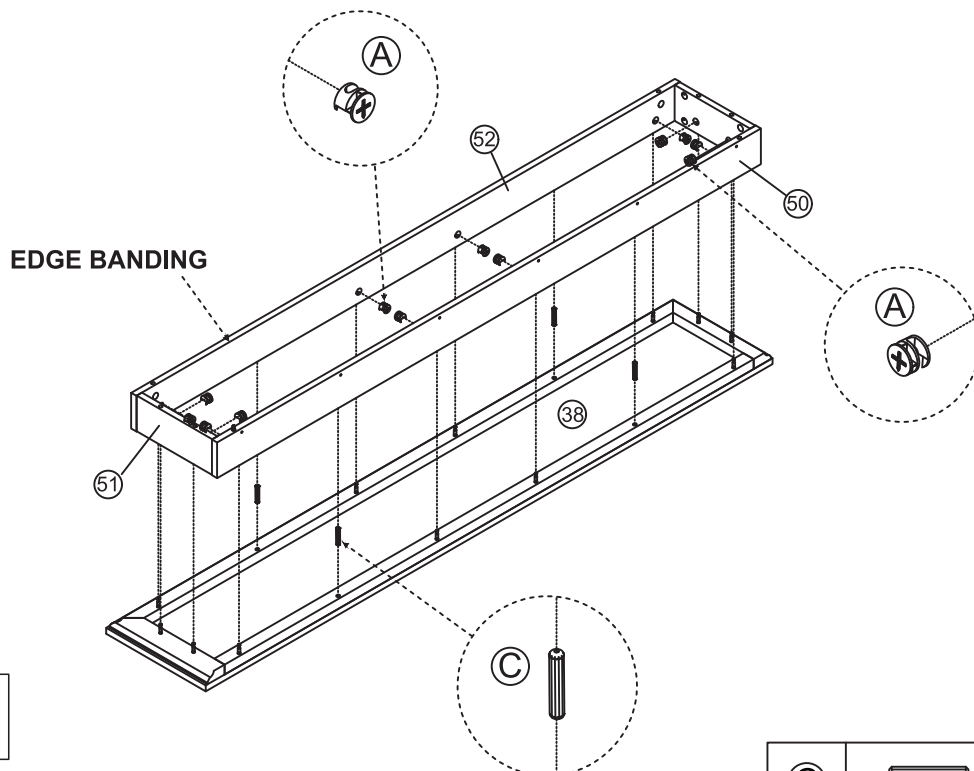


Fix fitting (B) to panel (38).



(B)		x12
	$\varnothing 6.5 \times 35$	

## Step 95



Insert the cam bolt into the hole first, then insert the cam lock and lock it.



Proper orientation of CAM LOCK

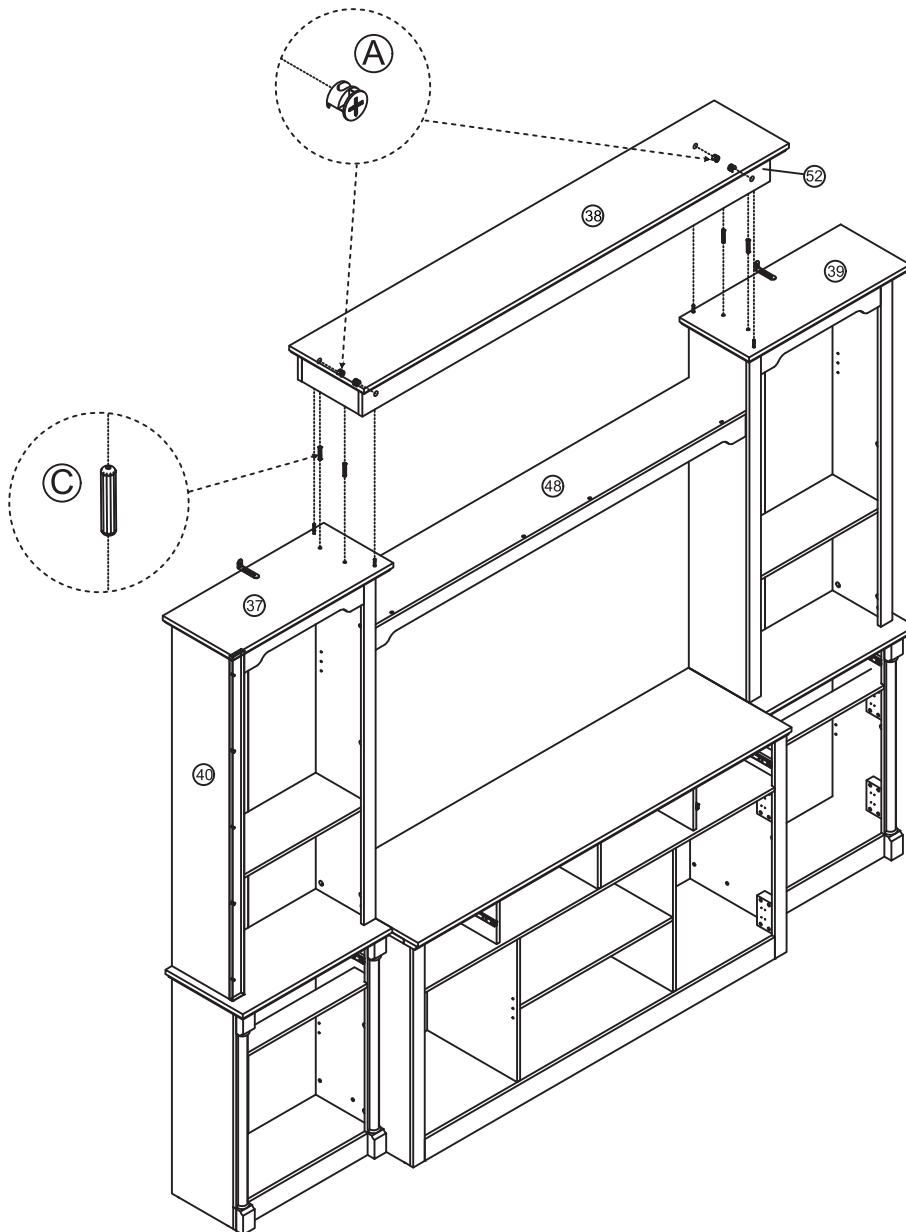
Use wooden dowel (C) to connect panels (50,51, 52) with panel (38), then turn cam lock (A) clockwise to secure.

(C)		x 4
	$\varnothing 8 \times 30$	
(A)		x12
	$\varnothing 15 \times 9.5$	

## Step 96



Two people are needed to collaborate on this assembly step.





Use wooden dowel (C) to connect panels (50,51,52) with panels (37,39), then turn cam lock (A) clockwise to secure.

Insert the cam bolt into the hole first, then insert the cam lock and lock it.

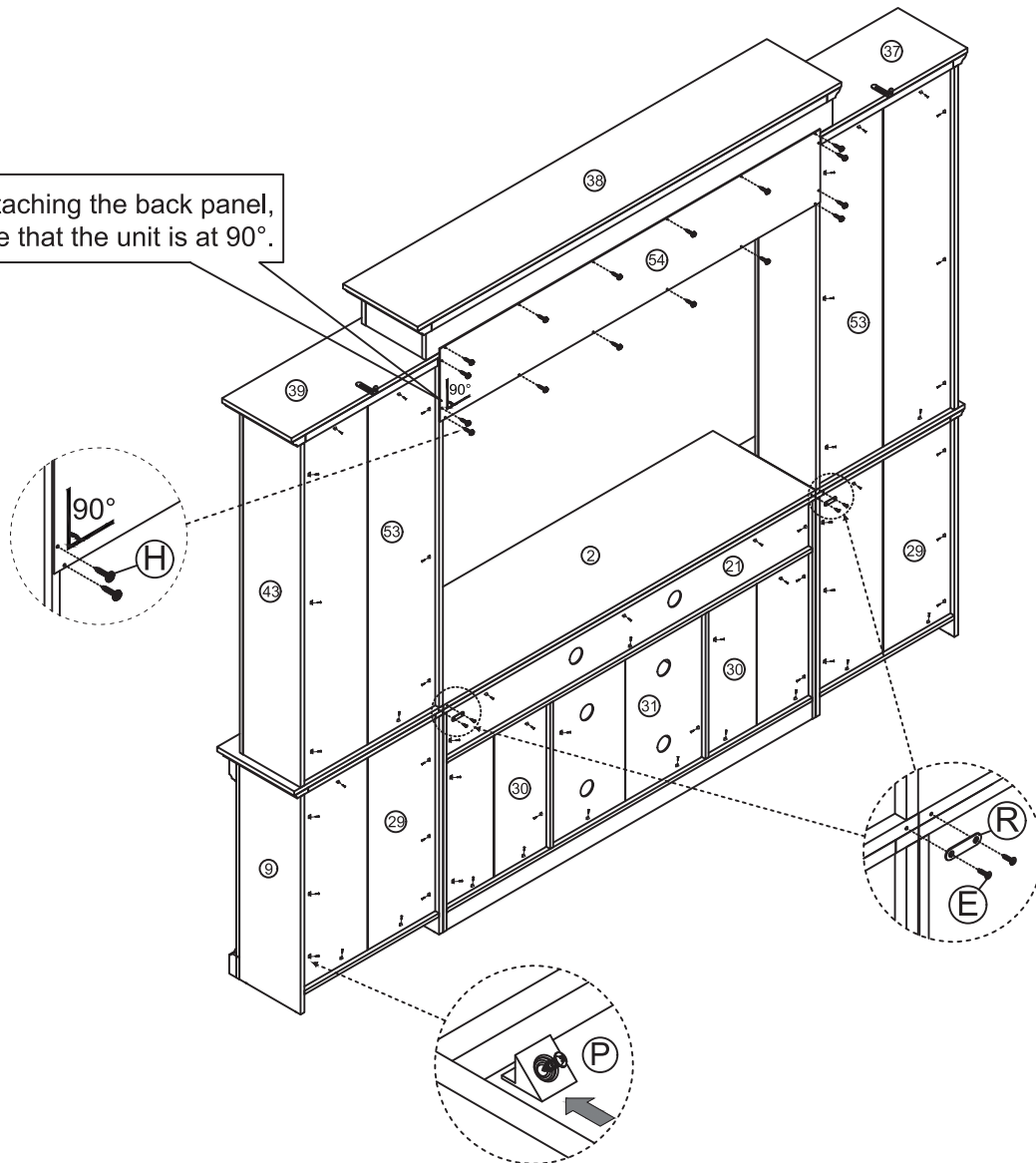


Proper orientation of CAM LOCK

(C)	 ø8*30	x 4
(A)	 ø15*9.5	x 4





## Step 97

Before attaching the back panel, be sure that the unit is at 90°.



Insert the plastic buckle into the back plate slot, screw through the hole in the plastic buckle and lock it in place.

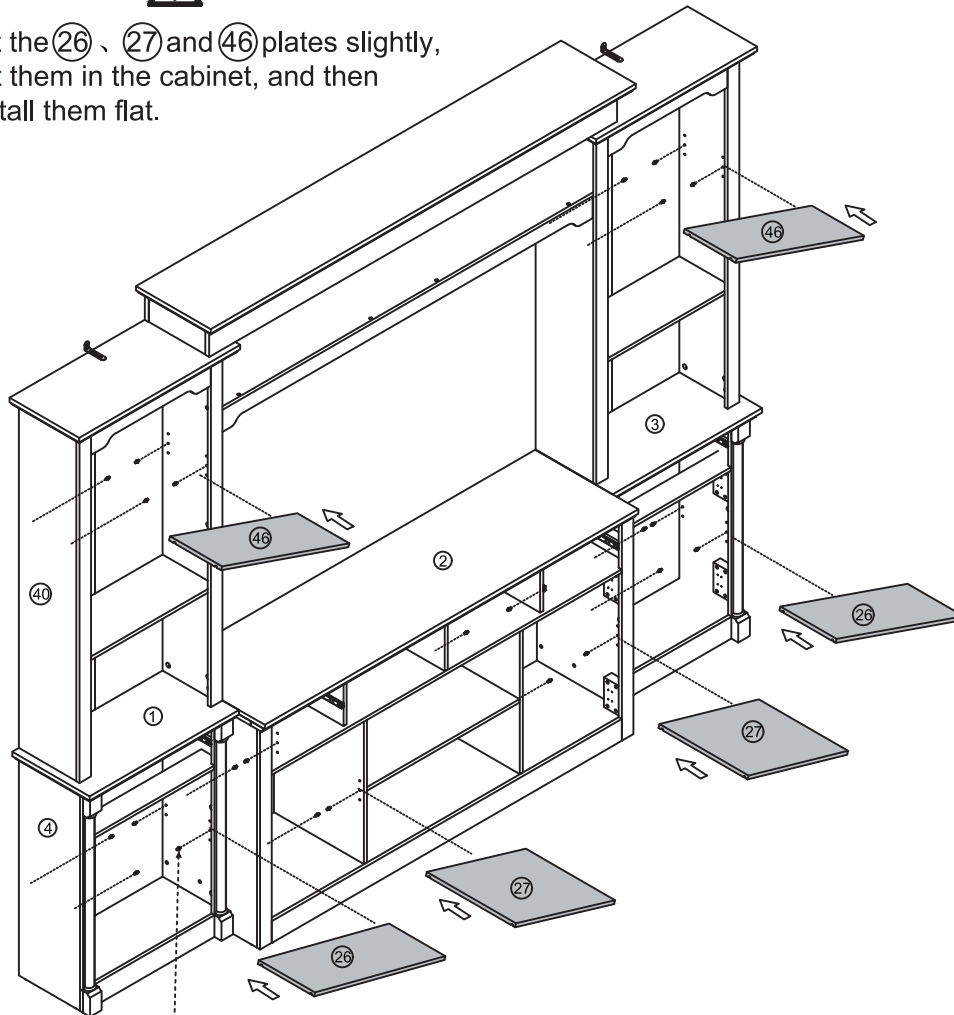
Use screw (E) to fix metal plate (R) to connect panels (1)-(2) and panels (2)-(3). Use screw (H) to fix panel (54). Insert plastic parts from fitting (P) into the gaps of back panels (21,29,30,31,53) and secure with screws.

(R)	 45*12*1	x 2
(P)	 Ø3*14mm	x58
(H)	 Ø3*14	x16
(E)	 Ø3.5*12	x 4

## Step 98

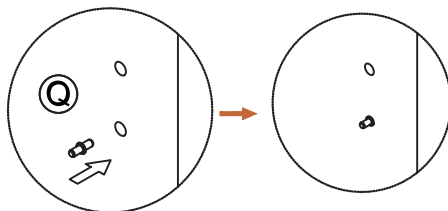


Tilt the (26) 、 (27) and (46) plates slightly, put them in the cabinet, and then install them flat.



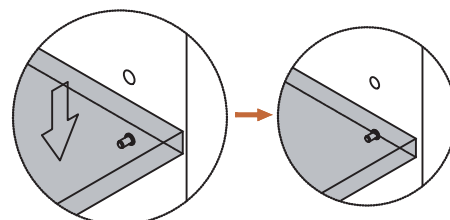
### Step 1

Select the desired height and put it in



### Step 2

Aim the board gaps down



Insert fitting (Q) into the corresponding holes of panels (4,5,6,7,8,9,10,11,40,41,42,43). Slightly tilt panels (26,27,46) to place them into the cabinet, then lay flat.

(Q)

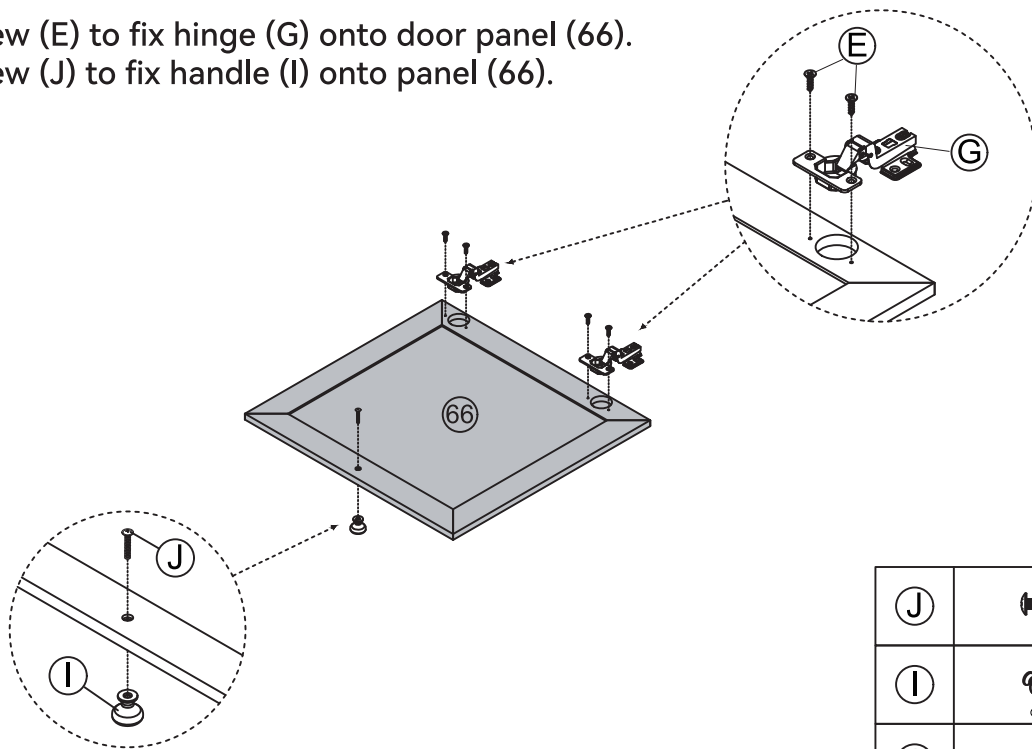






x24

ø5\*16

## Step 99

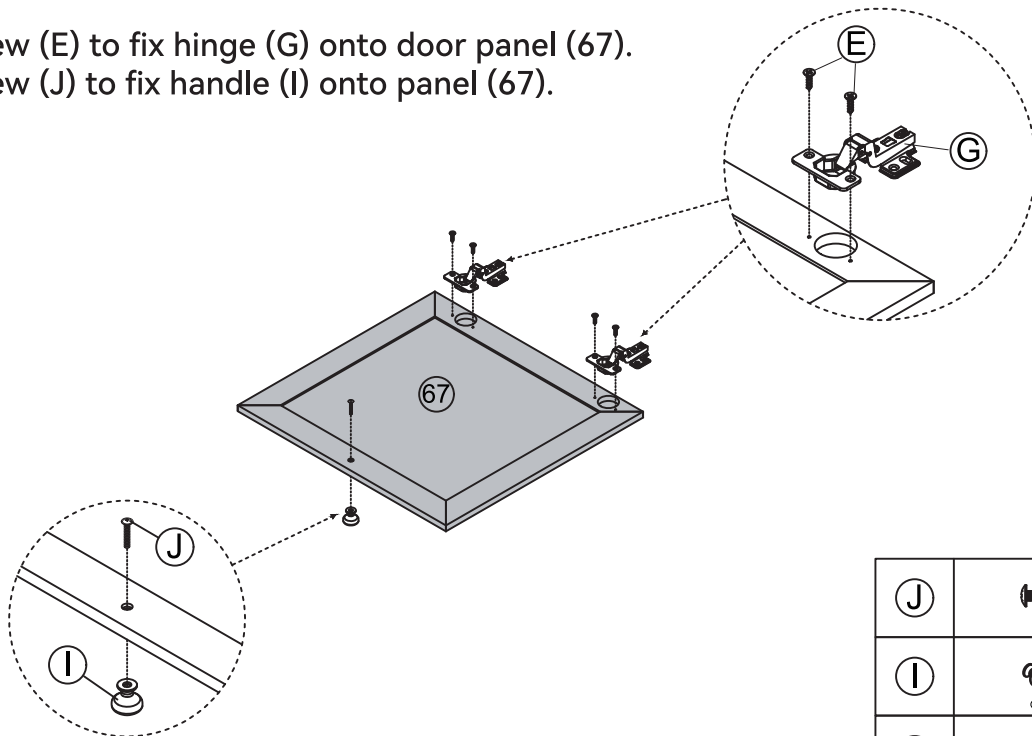
Use screw (E) to fix hinge (G) onto door panel (66).  
Use screw (J) to fix handle (I) onto panel (66).







(J)	 M4*12	x 1
(I)	 ø30(ø15)*25	x 1
(G)	 ø35	x 2
(E)	 ø3.5*12	x 4

## Step 100

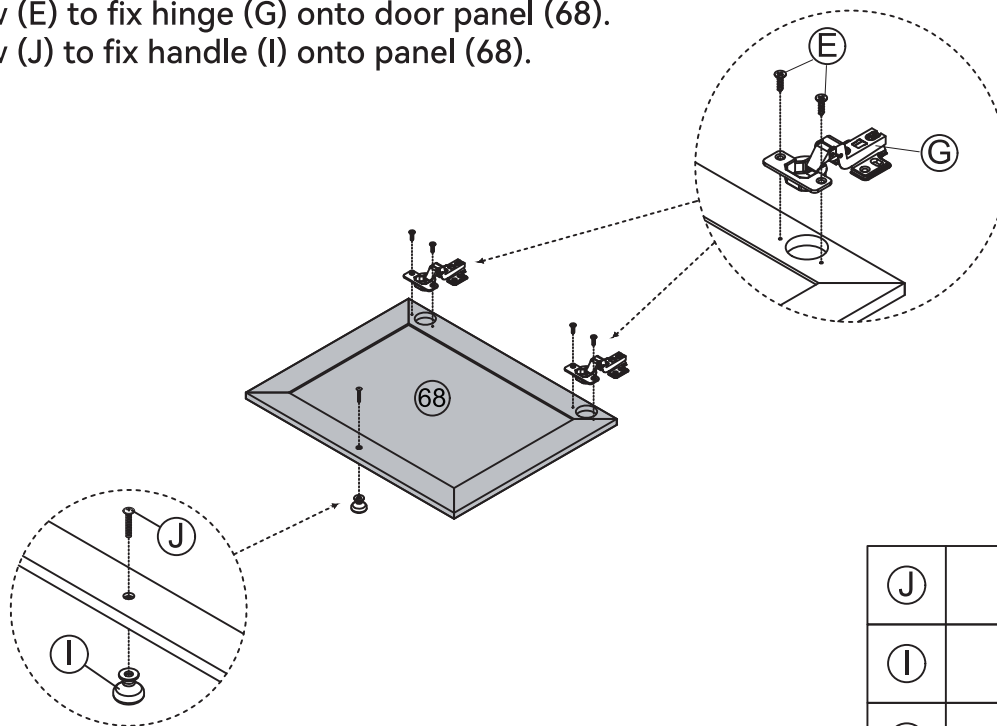
Use screw (E) to fix hinge (G) onto door panel (67).  
Use screw (J) to fix handle (I) onto panel (67).







(J)	 M4*12	x 1
(I)	 ø30(ø15)*25	x 1
(G)	 ø35	x 2
(E)	 ø3.5*12	x 4

## Step 101

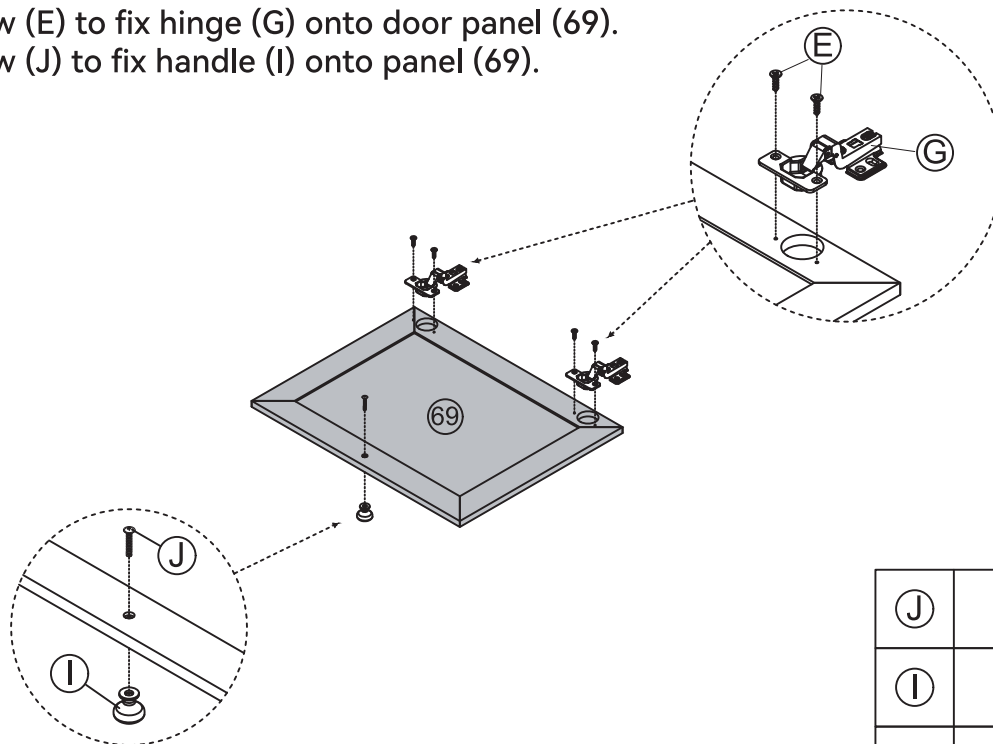
Use screw (E) to fix hinge (G) onto door panel (68).  
Use screw (J) to fix handle (I) onto panel (68).







(J)	 M4*12	x 1
(I)	 ø30(ø15)*25	x 1
(G)	 ø35	x 2
(E)	 ø3.5*12	x 4

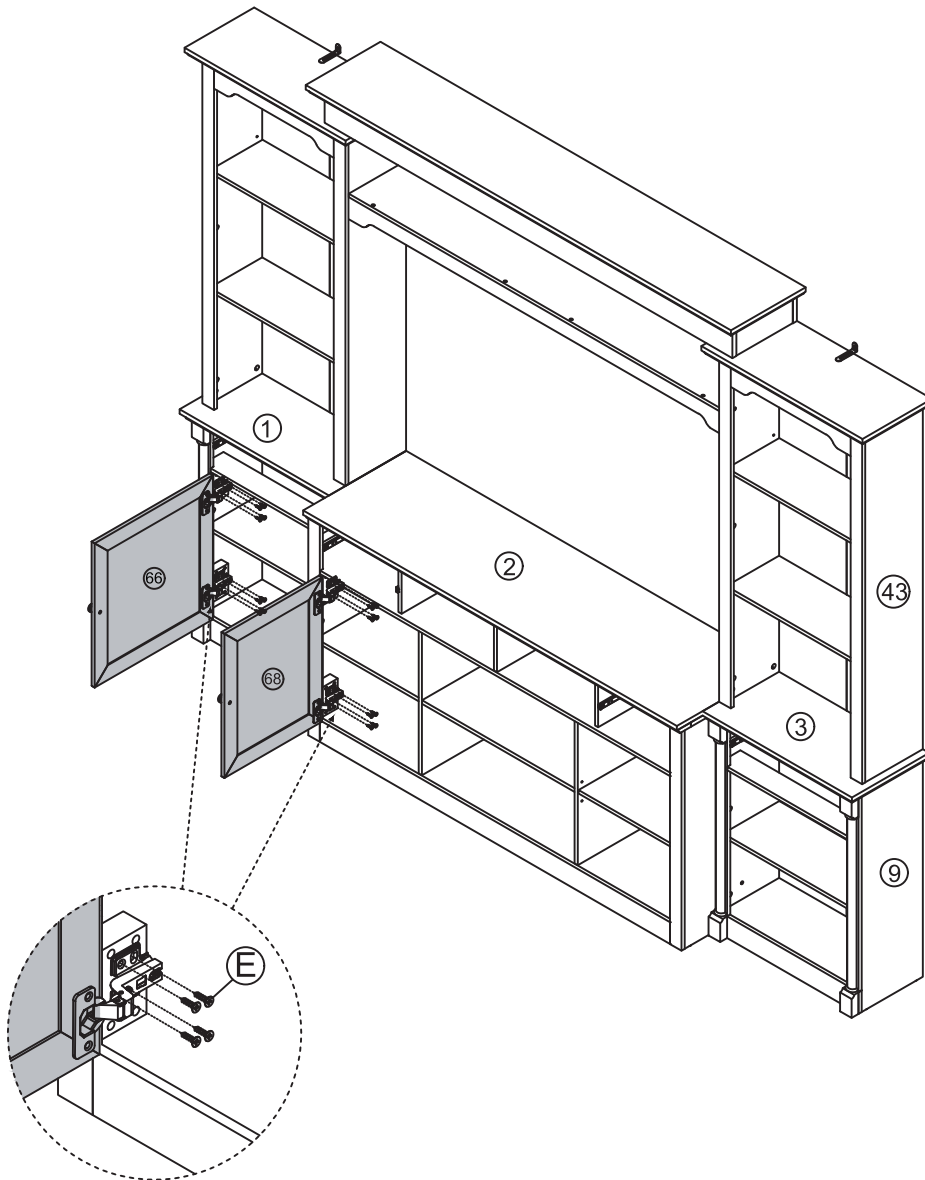
## Step 102

Use screw (E) to fix hinge (G) onto door panel (69).  
Use screw (J) to fix handle (I) onto panel (69).



(J)	 M4*12	x 1
(I)	 ø30(ø15)*25	x 1
(G)	 ø35	x 2
(E)	 ø3.5*12	x 4

## Step 103



Use screw (E) to install door panels (66,68) onto the cabinet.

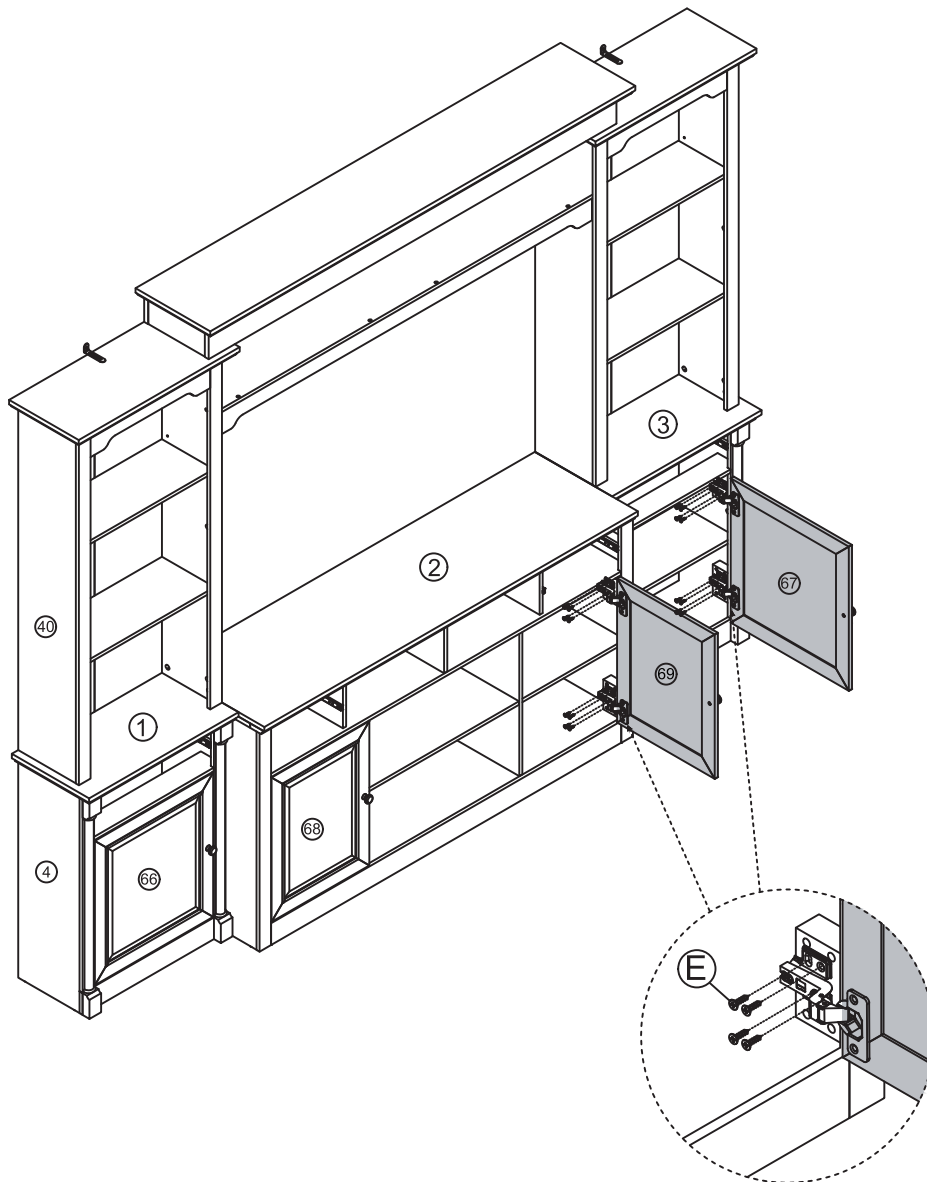
(E)



ø3,5\*12

x16

## Step 104



Use screw (E) to install door panels (67,69) onto the cabinet.

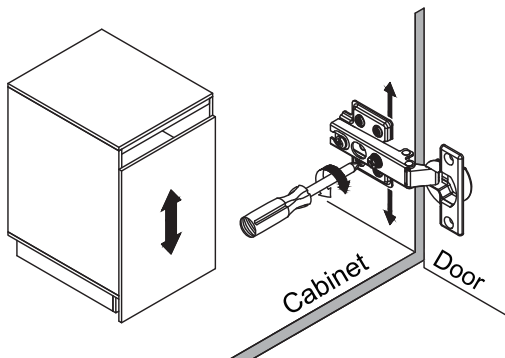
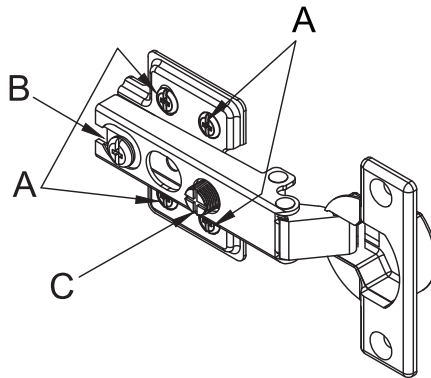
(E)



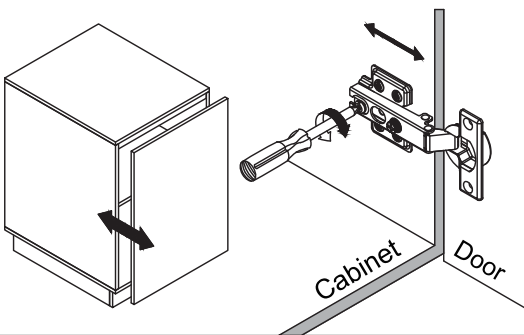
ø3,5\*12

x16

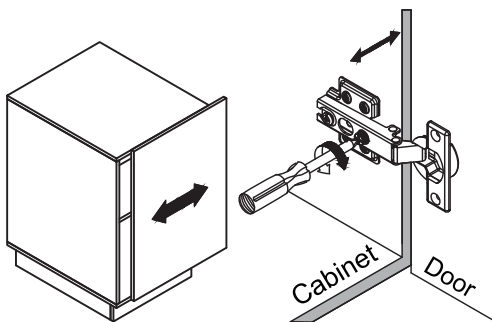
## Step 105



To adjust the vertical height.  
Loosen the four screws "A" on both hinges.  
Two of them are usually in slotted holes which allows you to adjust up or down by a few mm.  
Then tighten back up.



To adjust depth.  
Loosen screw "B" and adjust door, if the door can not be adjusted, please loosen screw "C", then try again. Tighten screw "B" and "C".

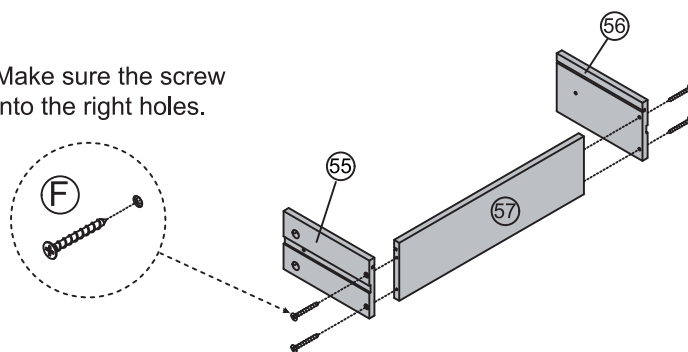


To adjust side ways.  
Turning the screw "C" on BOTH hinges on each door.

Adjust hinges (G) to align door panels (66,67,68,69) to the correct position.


## Step 106

Make sure the screw  
into the right holes.

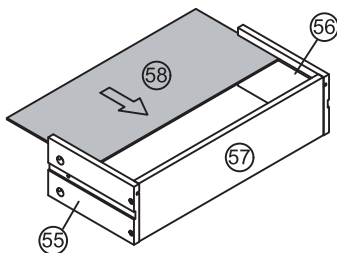


Use screw (F) to connect panels (55,56) with panel (57), repeat twice.

# X2

(F)		x 8
-----	---	-----

## Step 107

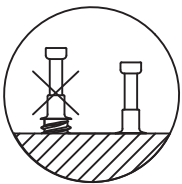
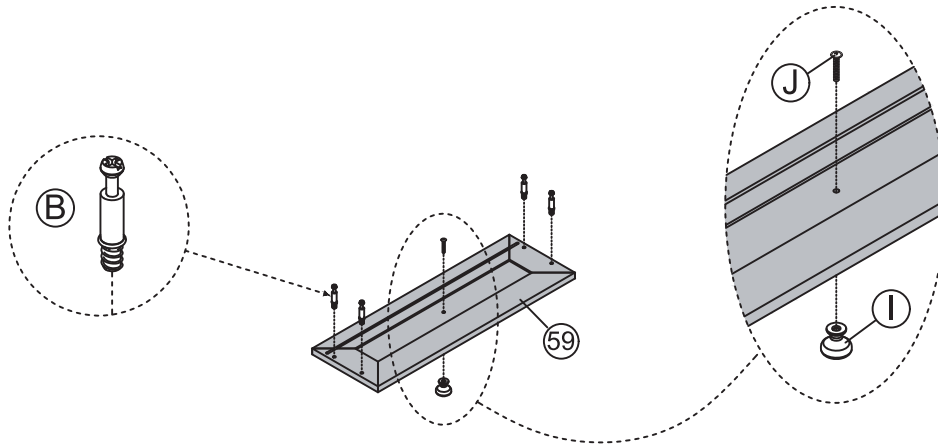


Insert panel (58) into the grooves of panels (55,56,57), repeat twice.

# X2

## Step 108

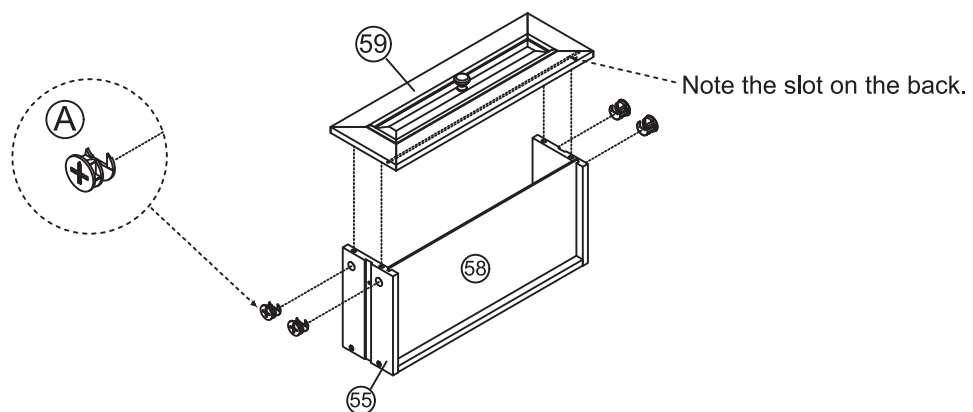
Fix fitting (B) to panel (59). Use screw (J) to fix handle (I) onto panel (59), repeat twice.



# X2

(J)	M4*12	x 2
(I)	$\varnothing 30(\varnothing 15)*25$	x 2
(B)	$\varnothing 6.5*35$	x 8

## Step 109



Connect panel (59) with panels (55,56), then turn cam lock (A) clockwise to secure, repeat twice.

Insert the cam bolt into the hole first, then insert the cam lock and lock it.

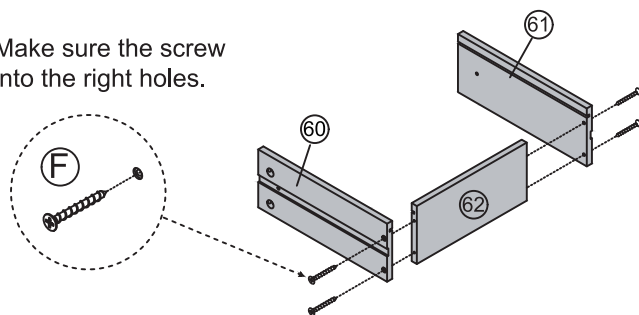


# X2

(A)	$\varnothing 15*9.5$	x 8
-----	----------------------	-----

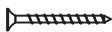
## Step 110

Make sure the screw  
into the right holes.

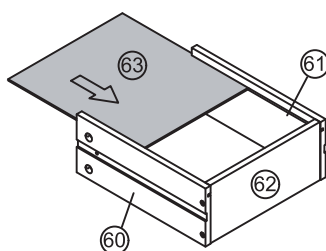


Use screw (F) to connect panels (60,61) with panel (62), repeat twice.

# X2

(F)		x 8
	<small>ø4*35</small>	

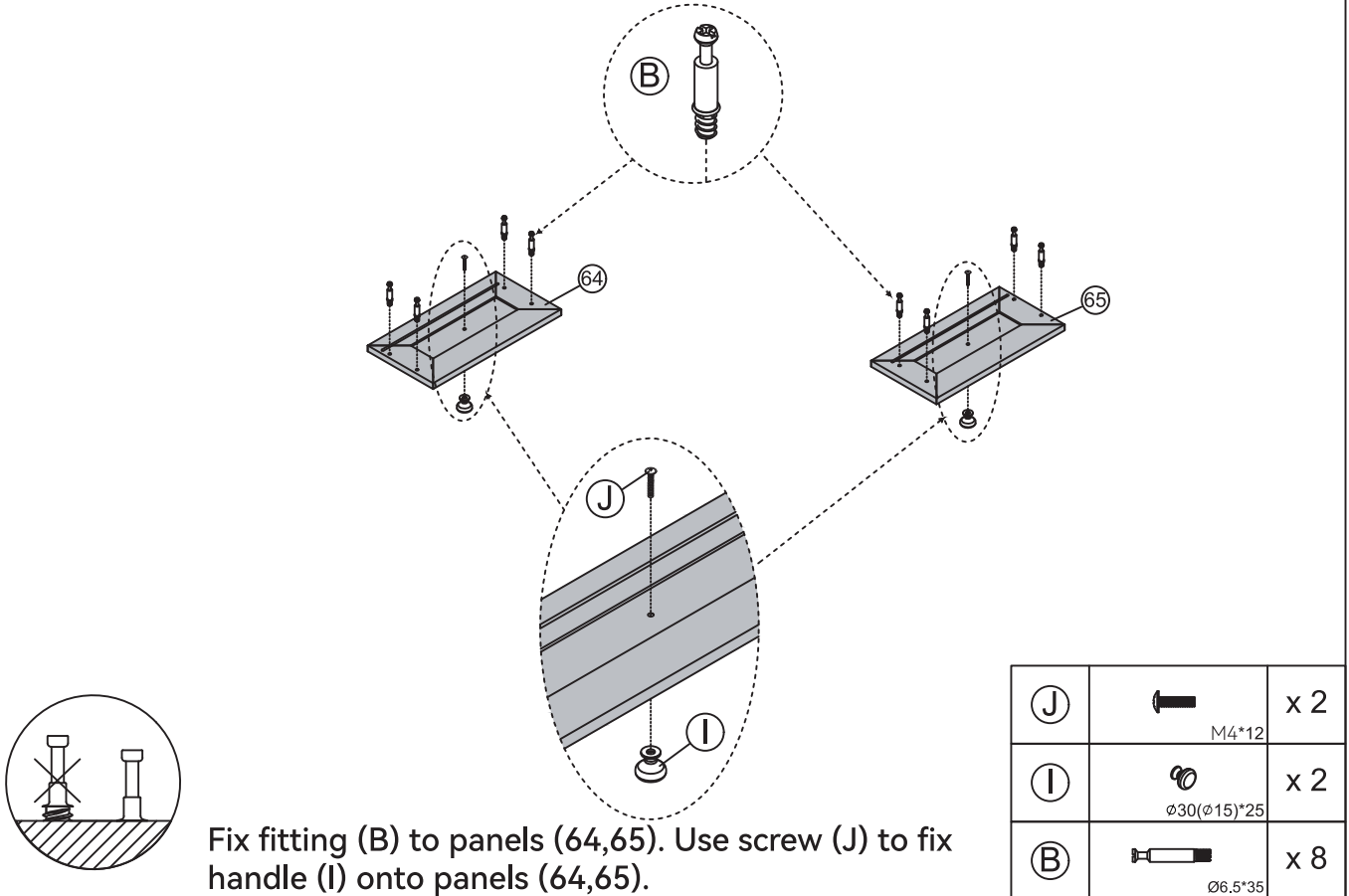
## Step 111



Insert panel (63) into the grooves of panels (60,61,62), repeat twice.

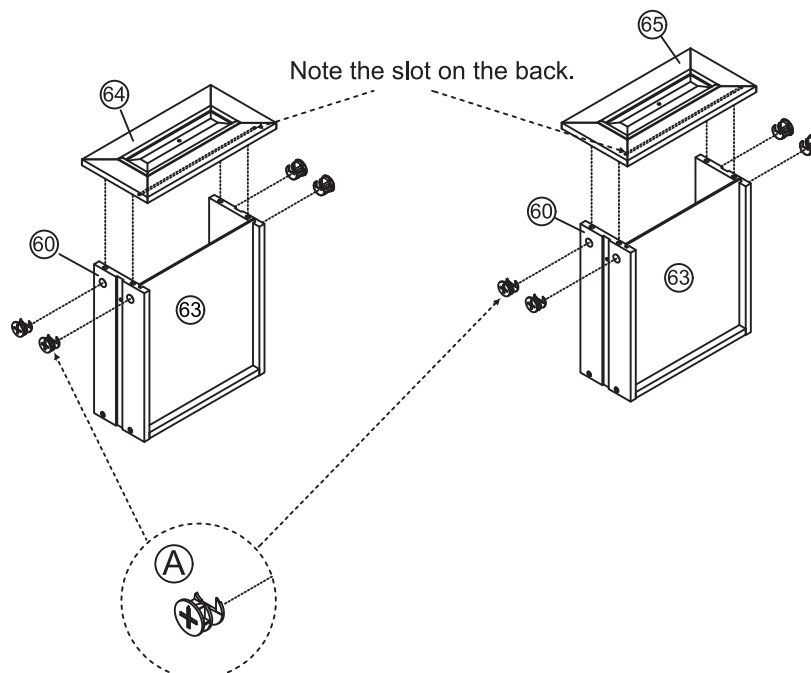
# X2

## Step 112



Fix fitting (B) to panels (64,65). Use screw (J) to fix handle (I) onto panels (64,65).

## Step 113

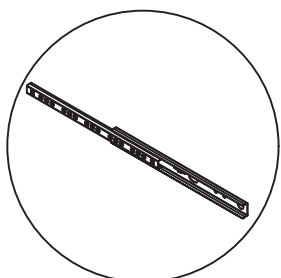


Insert the cam bolt into the hole first, then insert the cam lock and lock it.

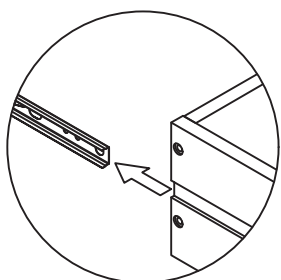


Connect panels (64,65) with panels (60,61), then turn cam lock (A) clockwise to secure.

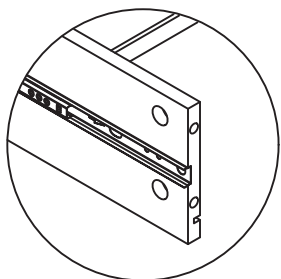
## Step 114



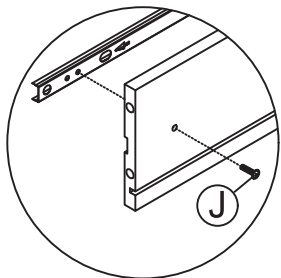
Slide out the inner guide rail.



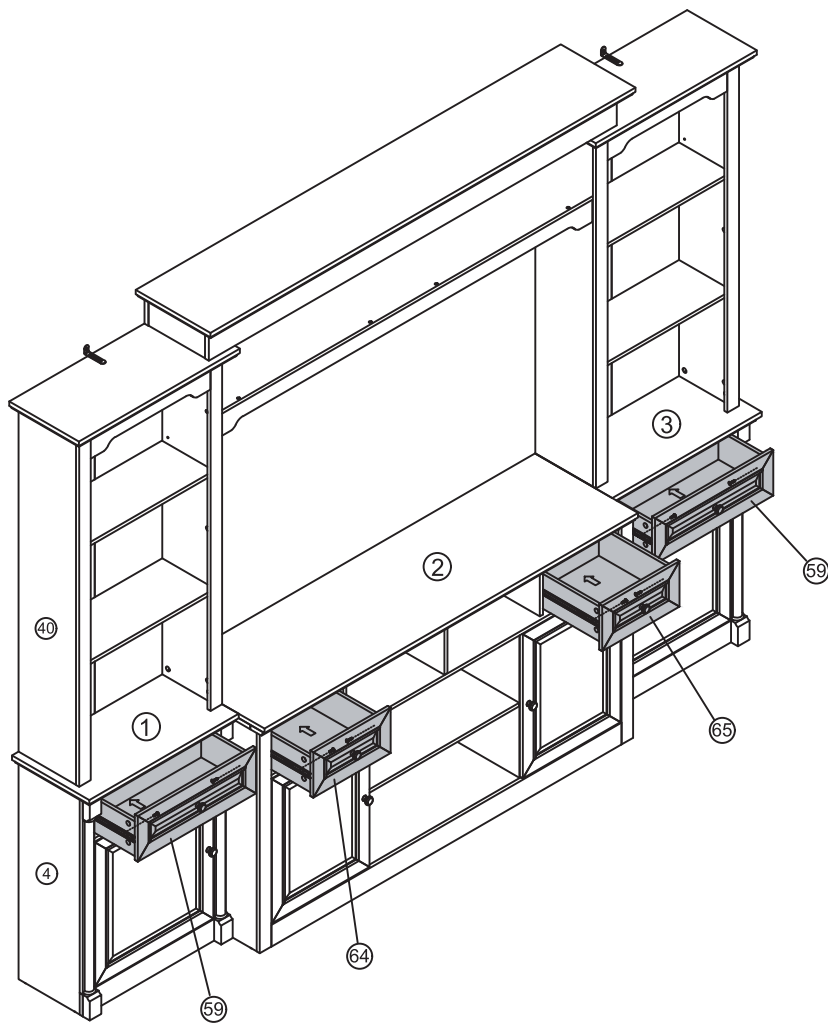
Aim at the slot of the bracket, and put the inner guide rail into the slot.



Inner guide slide path shown in the diagram.



Aim at the illustration hole and fix the guide rail on the side of the bucket.



As shown, use screw (J) to fix drawers (59,64,65) onto the drawer slides and insert them into the cabinet.

(J)



M4\*12

x 8

## Step 115

### ⚠ WARNING



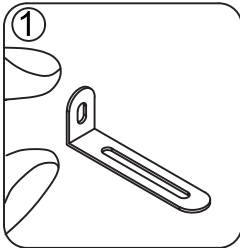
**Children have died from furniture tipover. To reduce the risk of furniture tipover:**

- ALWAYS install tipover restraint provided.
- NEVER put a TV on this product.
- NEVER allow children to stand, climb or hang on drawers, doors, or shelves.
- NEVER open more than one drawer at a time.
- Place heaviest items in the lowest drawers.

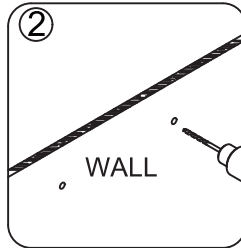


*This is a permanent label.  
Do not remove !*

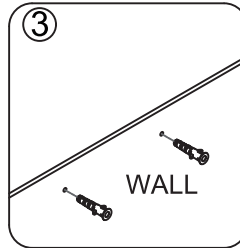
## Install the tipping restraint hardware



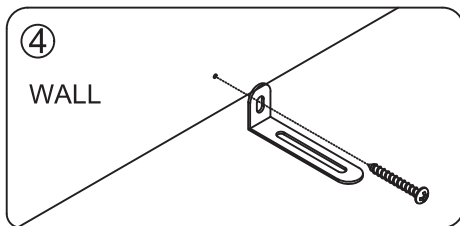
1. make mark on the wall



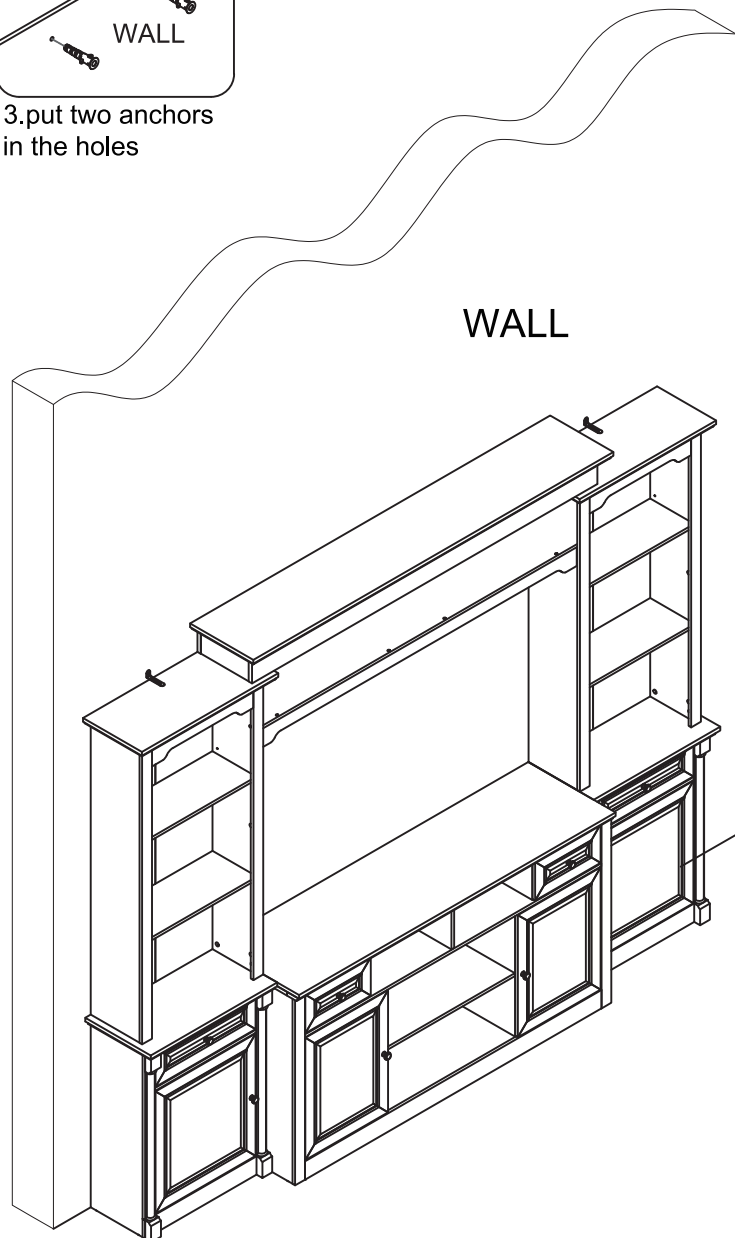
2. drill two Ø6 holes on the wall



3. put two anchors in the holes



5. Push the cabinet close to the wall and then put on nylon tie to tighten it.



Use fitting (S) to secure the cabinet to the wall at a suitable position to prevent tipping.

(S)



x2set

# Entertainment Center

SKU:  
BG16X2-1K3A1  
BG16X2-1K3A2  
BG16X2-1K3B1  
BG16X2-1K3B2

V1.0