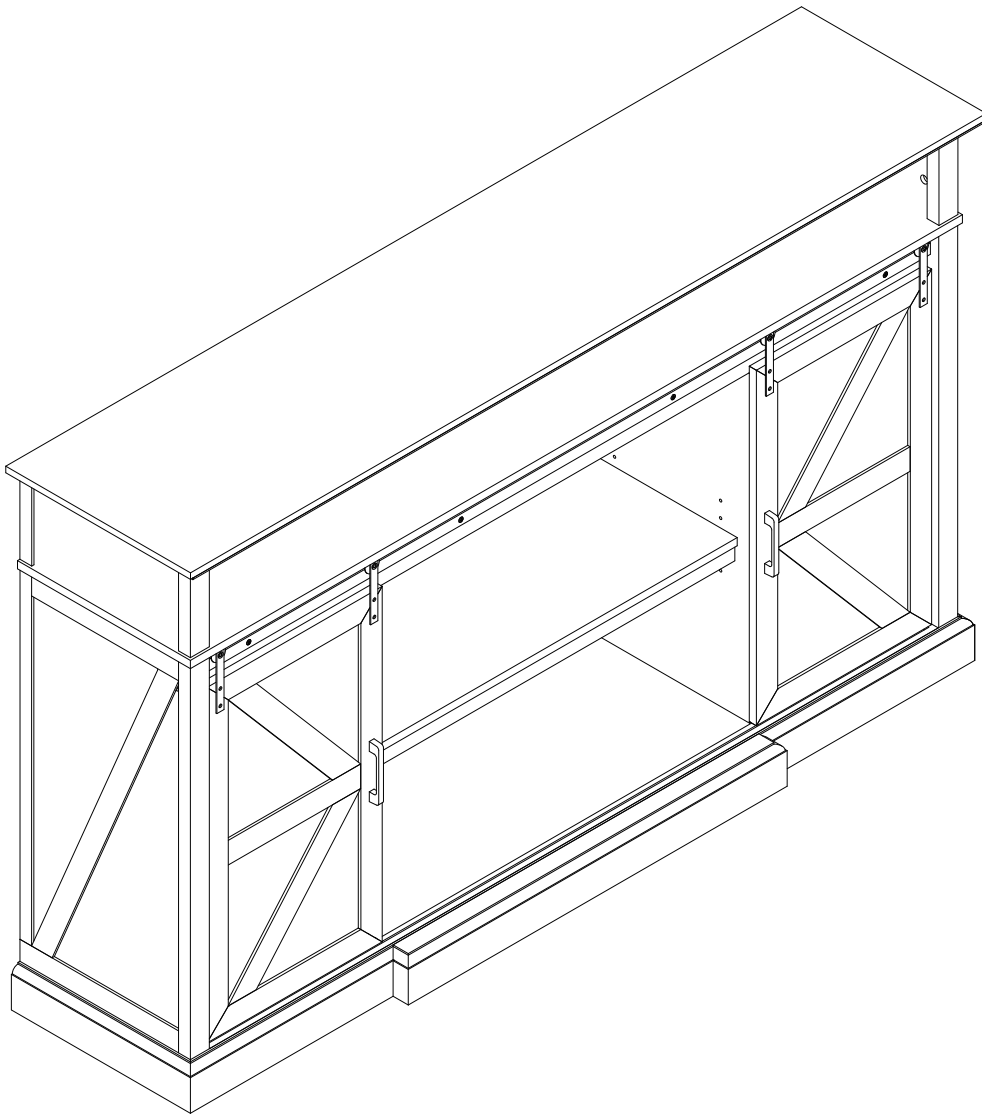


TV STAND

Assembly Instructions - Please keep for future reference



Dimensions

Width - 66inch

Depth - 17.3inch

Height - 39.4inch

Any question please feel free to contact us:
support@amer-life.com TEL:(901) 347-2181.
We will provide further assistance within 24 hours.

Important – Please read these instructions fully before starting assembly

Issue 1 - 31/08/2024



Safety and Care Advice

Important – Please read these instructions fully before starting assembly

- Check you have all the components and tools listed on the following pages.
- Remove all fittings from the plastic bags and separate them into their groups.
- Keep children and animals away from the work area, small parts could choke if swallowed.
- Make sure you have enough space to layout the parts before starting.

- During assembly do not stand or put weight on the product, this could cause damage.
- Assemble the item as close to its final position (in the same room) as possible.
- Assemble on a soft level surface to avoid damaging the unit or your floor.
- Parts of the assembly will be easier with 2 people.



- To reduce the likelihood of damaging your product please ensure that your power drill is set on a low torque setting.

Care and maintenance

- Only clean using a damp cloth and mild detergent, do not use bleach or abrasive cleaners.
- From time to time check that there are no loose screws on this unit.
- This product should not be discarded with household waste. Take to your local authority waste disposal centre.

Handy Hints

- Assemble all parts and bolts loosely during assembly, only once the product is complete should you fully tighten the bolts
- Regularly check and ensure that all bolts and fittings are tightened properly.

WARNING

In order to help prevent overturning – please follow these instructions

To help prevent product toppling over please follow the below steps:-





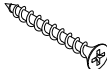


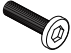
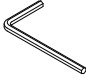





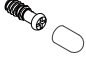

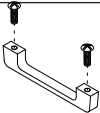
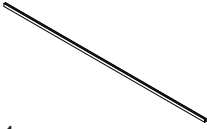
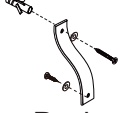
- Use the anti tip strap or wall fixing method provided (if applicable)
- Do not allow children to climb or hang on the furniture
- Do not open more than one drawer at a time
- Do not place heavy items in the top drawers
- Do not place heavy items on top of the furniture, unless the furniture has been designed for this purpose

Please note that only the anti tip strap is provided.
You will need to provide wall plugs and screws applicable for your wall type

Components - Fittings

Please check you have all the fittings listed below

Note: The quantities below are the correct amount to complete the assembly. In some cases more fittings may be supplied than are required.

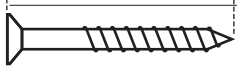
A  Cam Bolt x 38	B  Cam Lock x 38	C  6*30mm Wooden Dowel x 44
D  5*30mm Screw x 10	E  5*40mm Screw x 10	F  5*50mm Screw x 2
G  5*40mm Screw x 3	H  6*30mm Bolt x 4	I  Allen Key x 1
J  Protective Foot x 6	K  Adjustable Foot(Hx65mm) x 2	L  4*14mm Screw x 16
M  Back Panel Stiffener x 20	N  Shelf Support Pin x 12	O  Screw and plastic cap x 4
P  Pulley x 4	Q  Handle & Fixings x 2	R  H bar x 1
S  Wall Fixing Pack x 2		

Tools required



Phillips screwdriver
(medium & large)

Ruler - Use this ruler to help correctly identify the screws



The screws length is measured from the head to the point (30mm screw shown).

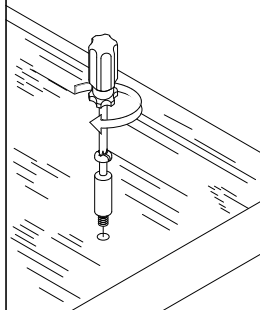
Using Camlocks

Step 1

Connect the male camlock as directed in the assembly instructions using a screwdriver.

1

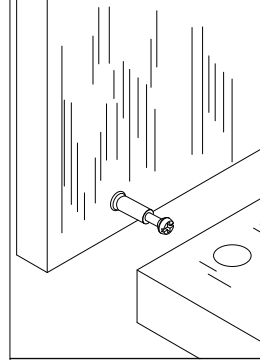
DO NOT OVER TIGHTEN.
NE PAS SERRER EXCESSIVEMENT.



Step 2

Push the male camlock into the entry hole.

2

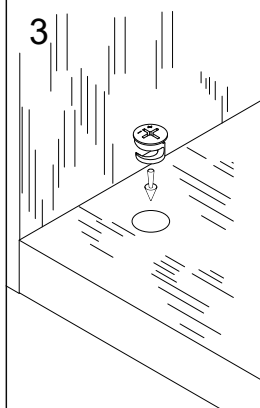


Step 3

Insert the female camlock as shown in the instructions.

Note: ensure that the arrow on the top of the camlock points towards the entry hole for the male camlock.

3



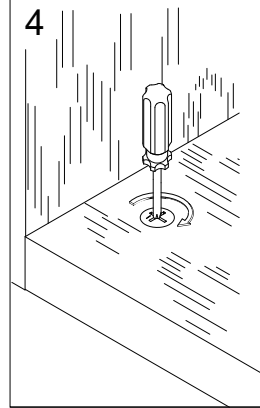
Step 4

Turn the female camlock clockwise with a screwdriver.

You should feel a click when the camlock is locked in place.

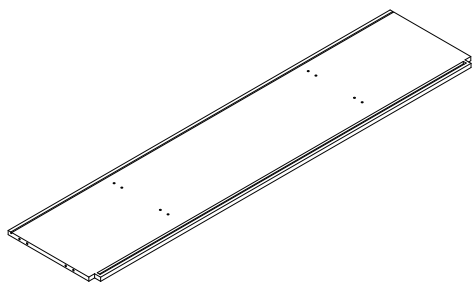
The joint is now secure.

4

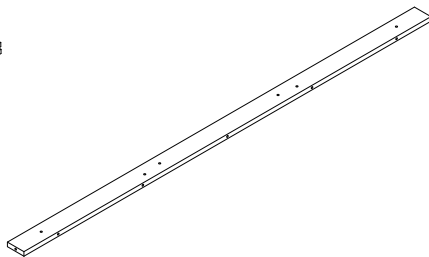


Components - Panels

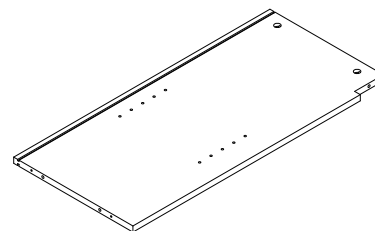
Please check you have all the panels listed below



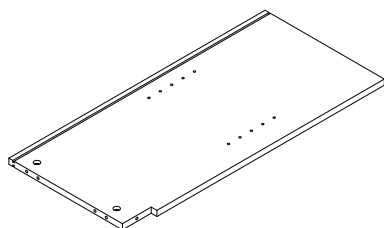
1 (36 x 158.6 x 1.5cm) x1



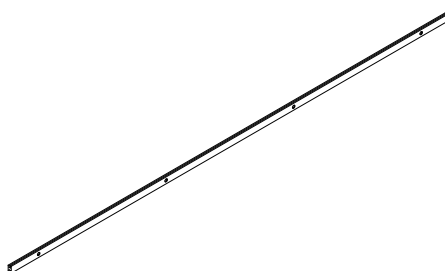
2 (6.5 x 154 x 1.5cm) x1



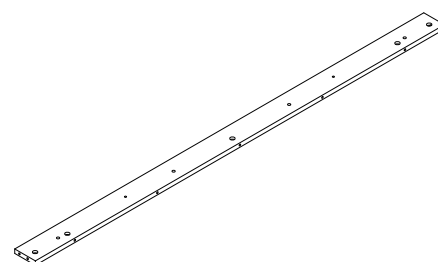
3 (33.5 x 72 x 1.5cm) x1



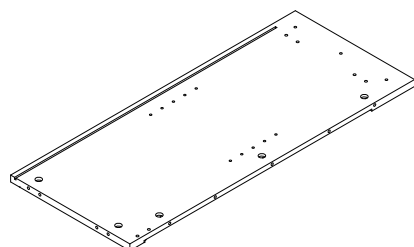
4 (33.5 x 72 x 1.5cm) x1



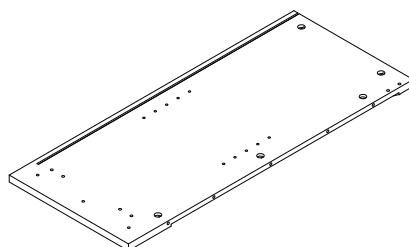
5 (153 x 2.5 x 1.5cm) x1



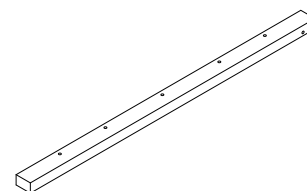
6 (8 x 158.6 x 1.5cm) x1



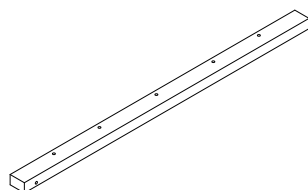
7 (33.5 x 80 x 1.7cm) x1



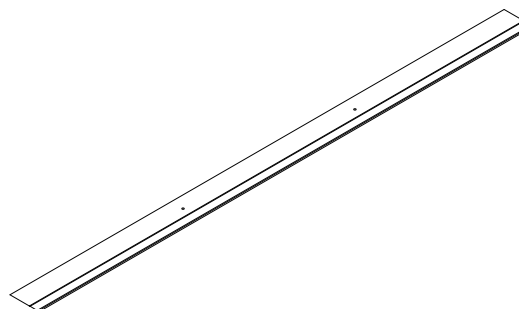
8 (33.5 x 80 x 1.7cm) x1



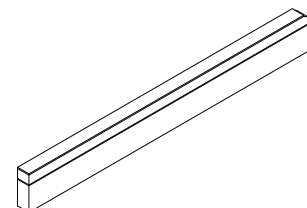
9 (4 x 80 x 2.5cm) x1



10 (4 x 80 x 2.5cm) x1



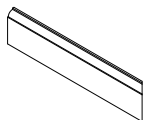
11 (8x 165.6 x 1.8cm) x1



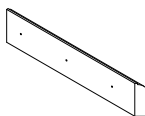
12 (8 x 80 x 5cm) x1

Components - Panels

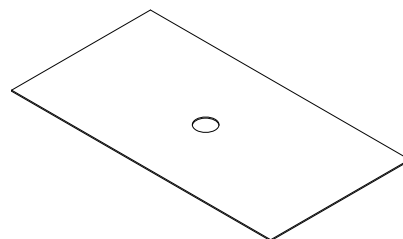
Please check you have all the panels listed below



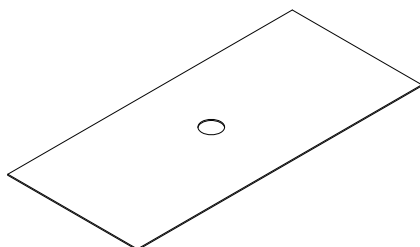
13 (8 x 37.8 x 1.8cm) x1



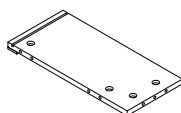
14 (8 x 37.8 x 1.8cm) x1



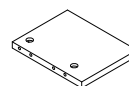
15 (39 x 72.8 x 0.27cm) x2



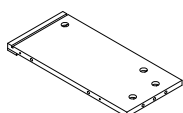
16 (36.4 x 79.9 x 0.27) x2



17 (33.5 x 15.5 x 1.7cm) x1



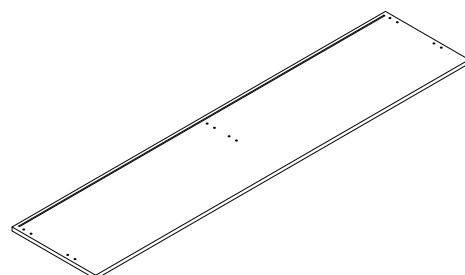
18 (19.5 x 15.5 x 1.5cm) x1



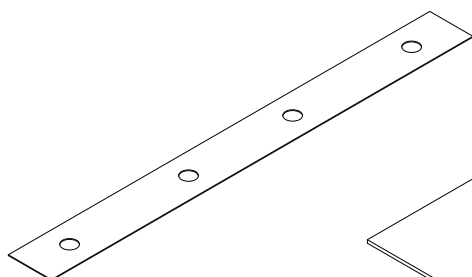
19 (33.5 x 15.5 x 1.7cm) x1



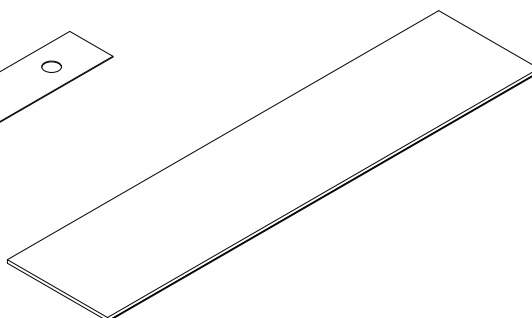
20 (4 x 15.5 x 2.5cm) x2



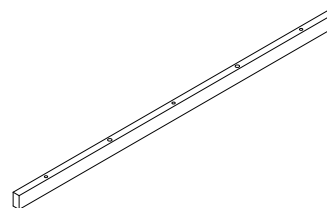
21 (36.5 x 16.3 x 1.5cm) x1



22 (16.3 x 159.4 x 0.27cm) x1



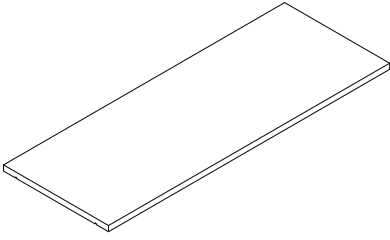
23 (39 x 168 x 3cm) x1



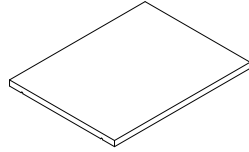
24 (3 x 79 x 1.5cm) x1

Components - Panels

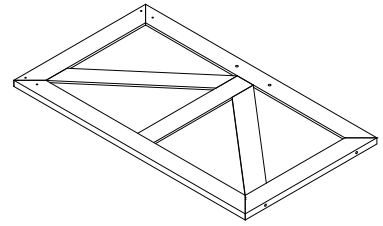
Please check you have all the panels listed below



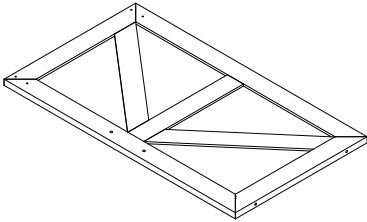
25 (29.5 x 79 x 1.5cm) x1



26 (29.5 x 38.1 x 1.5cm) x2

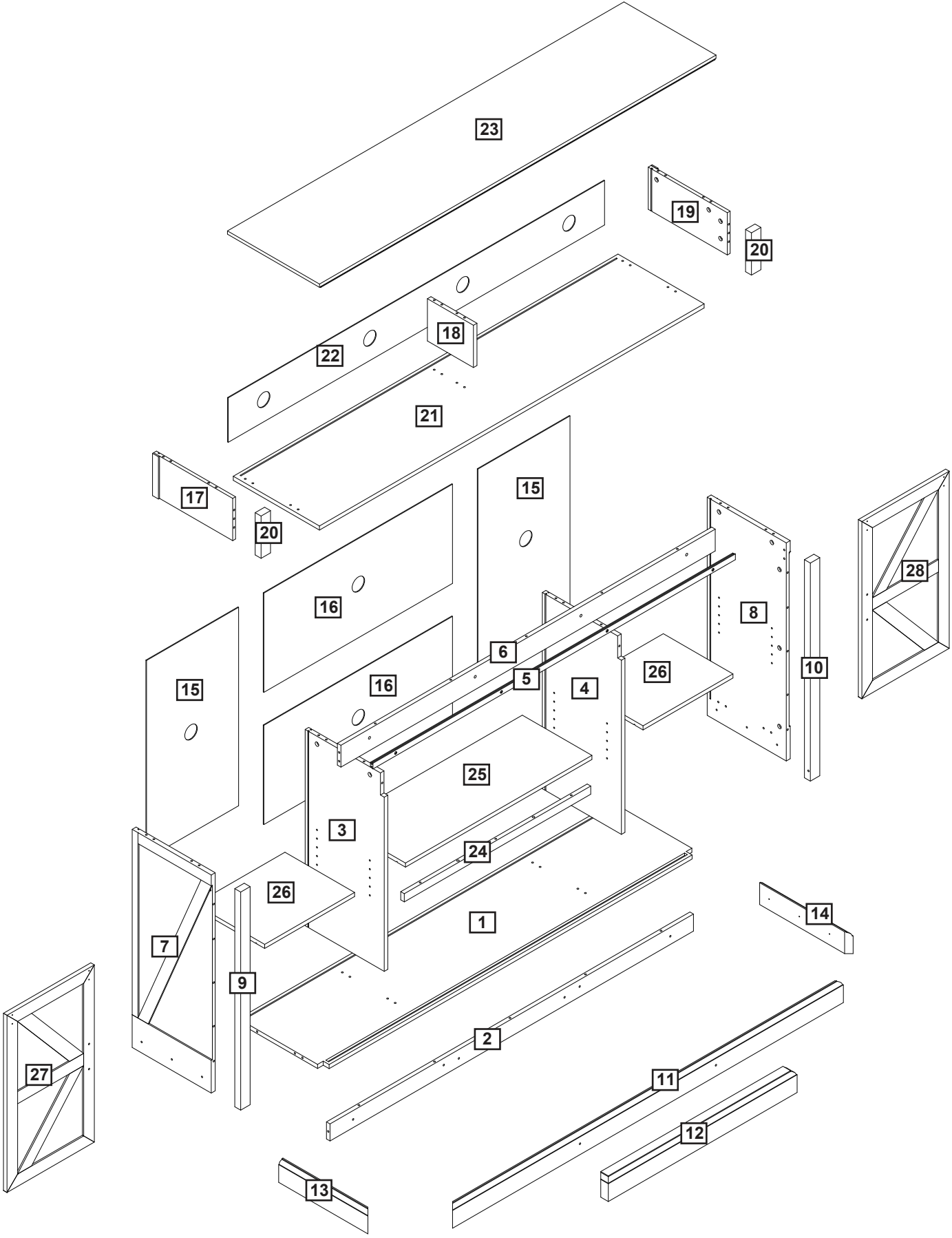


27 (37 x 65 x 1.5cm) x1



28 (37 x 65 x 1.5cm) x1

Assembly Instructions

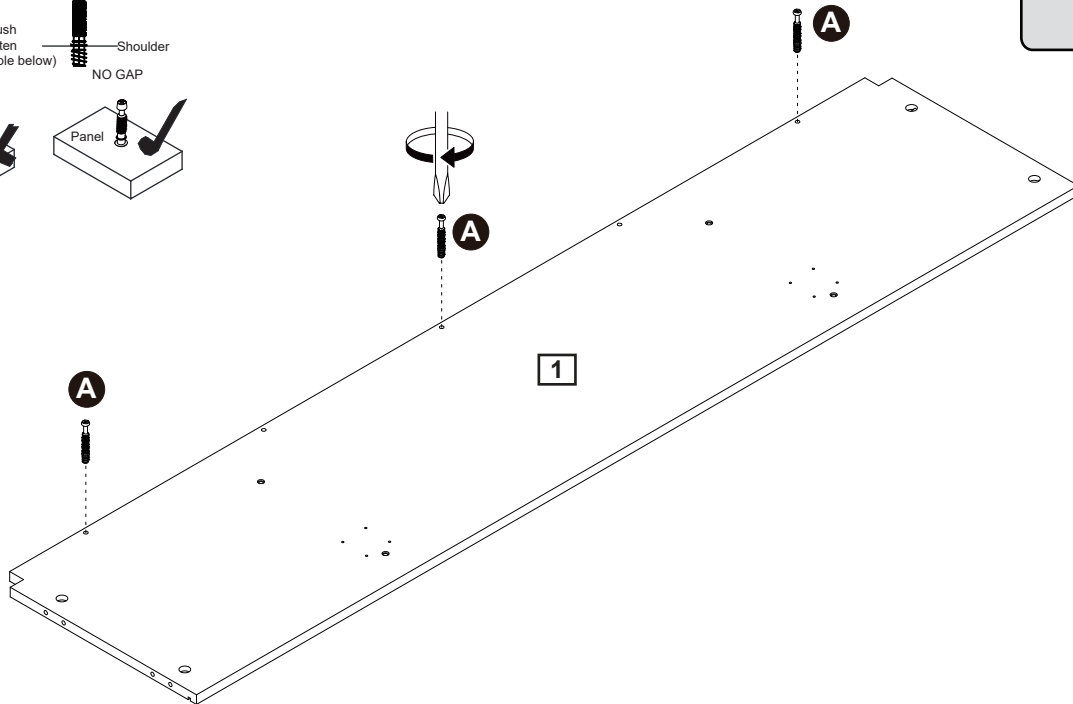
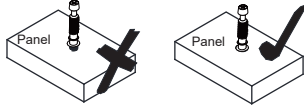
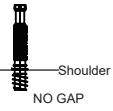


Assembly Instructions

Step 1

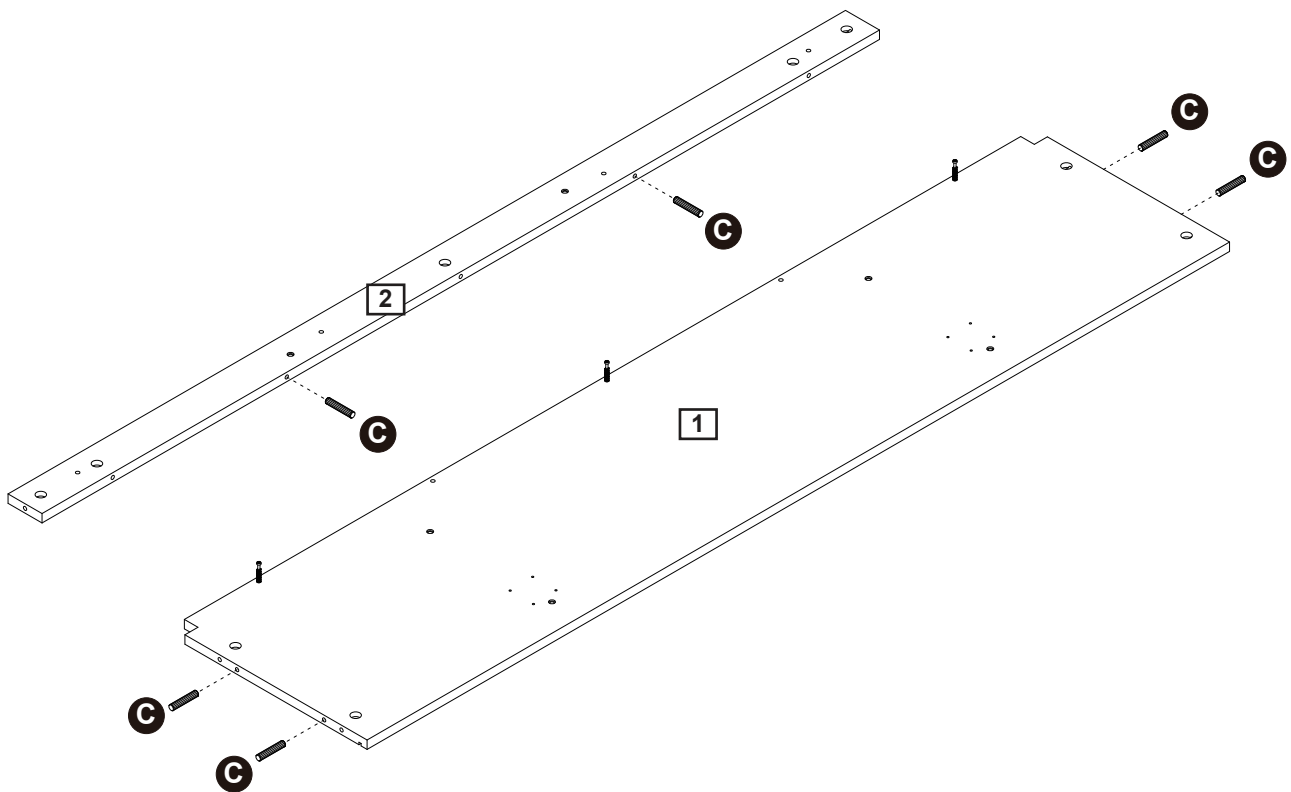
CAM-LOCK

Tighten until shoulder is flush with panel. Do not overtighten or undertighten (see example below)



Attach cam bolt (A) to part (1) with a screwdriver.

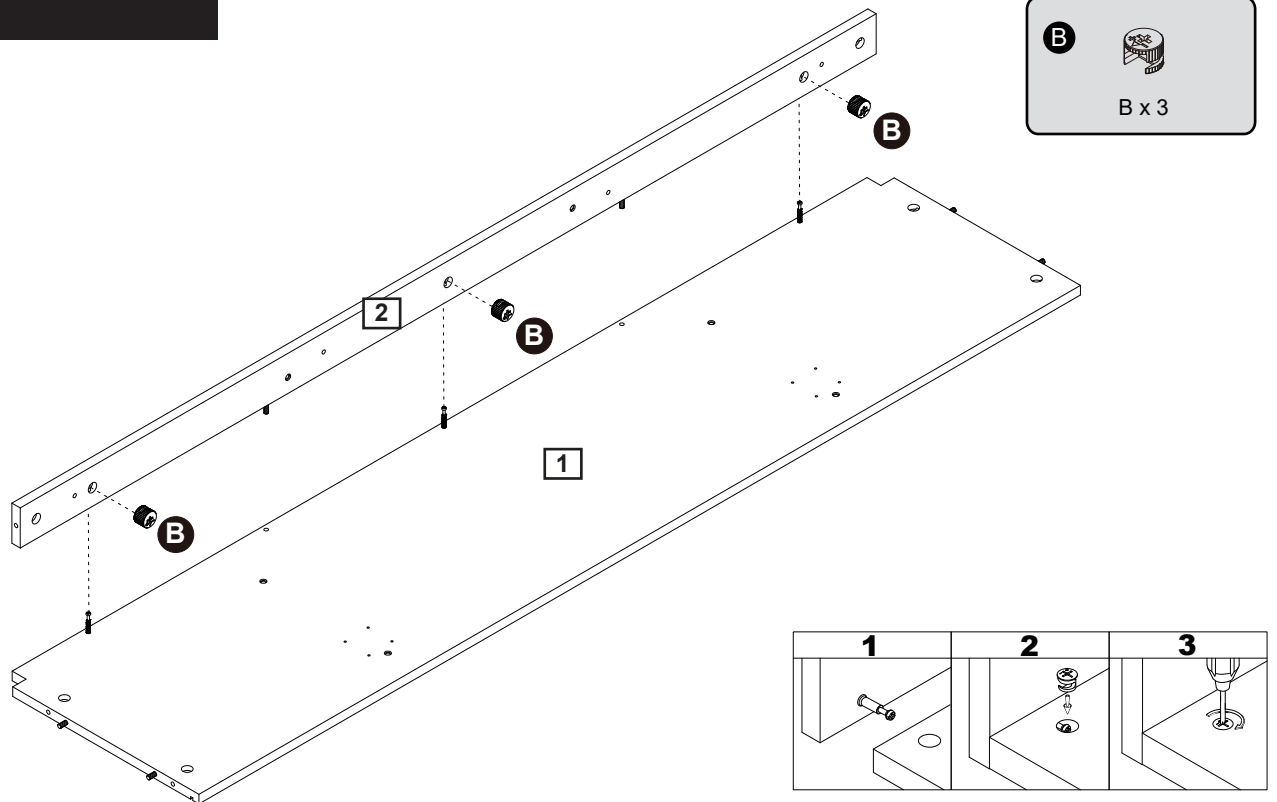
Step 2



Insert wooden dowel (C) into part (1, 2).

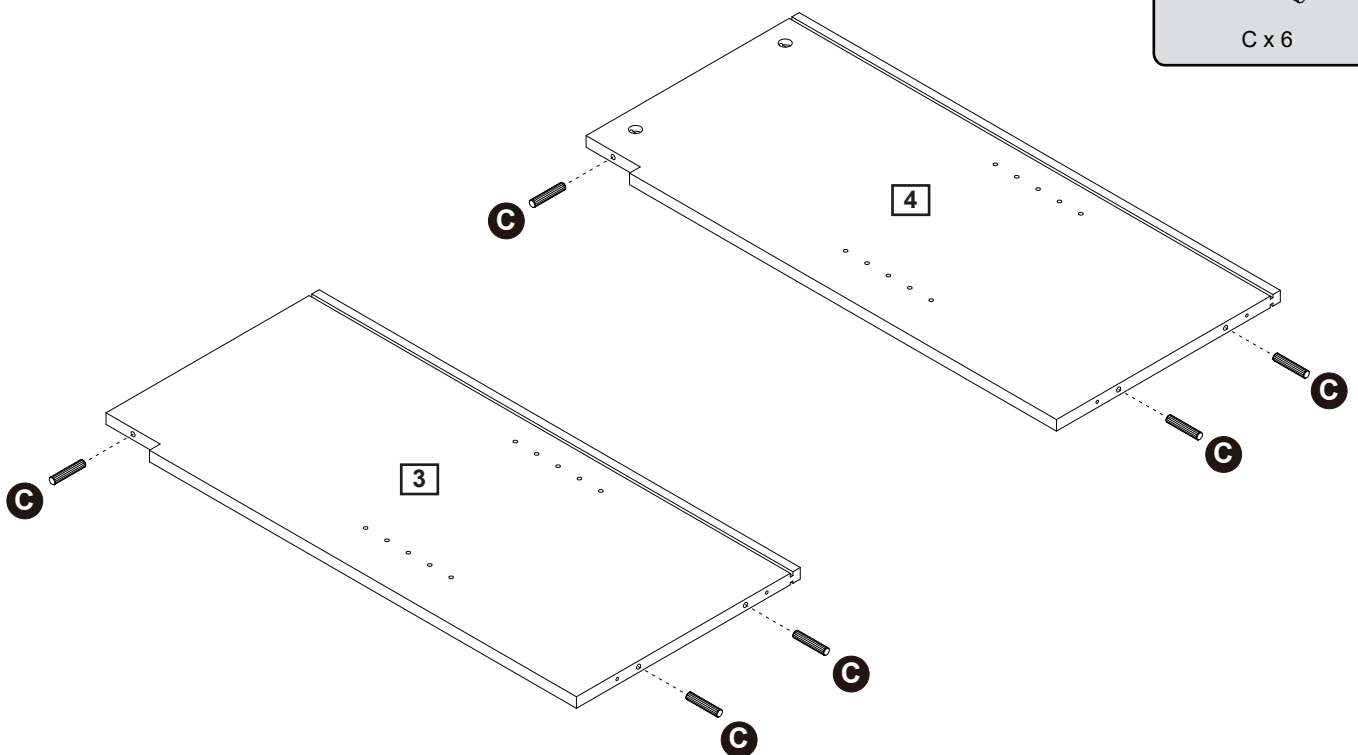
Assembly Instructions

Step 3



Attach part (2) to part (1), then insert and secure cam lock (B) to part (2) to lock it.

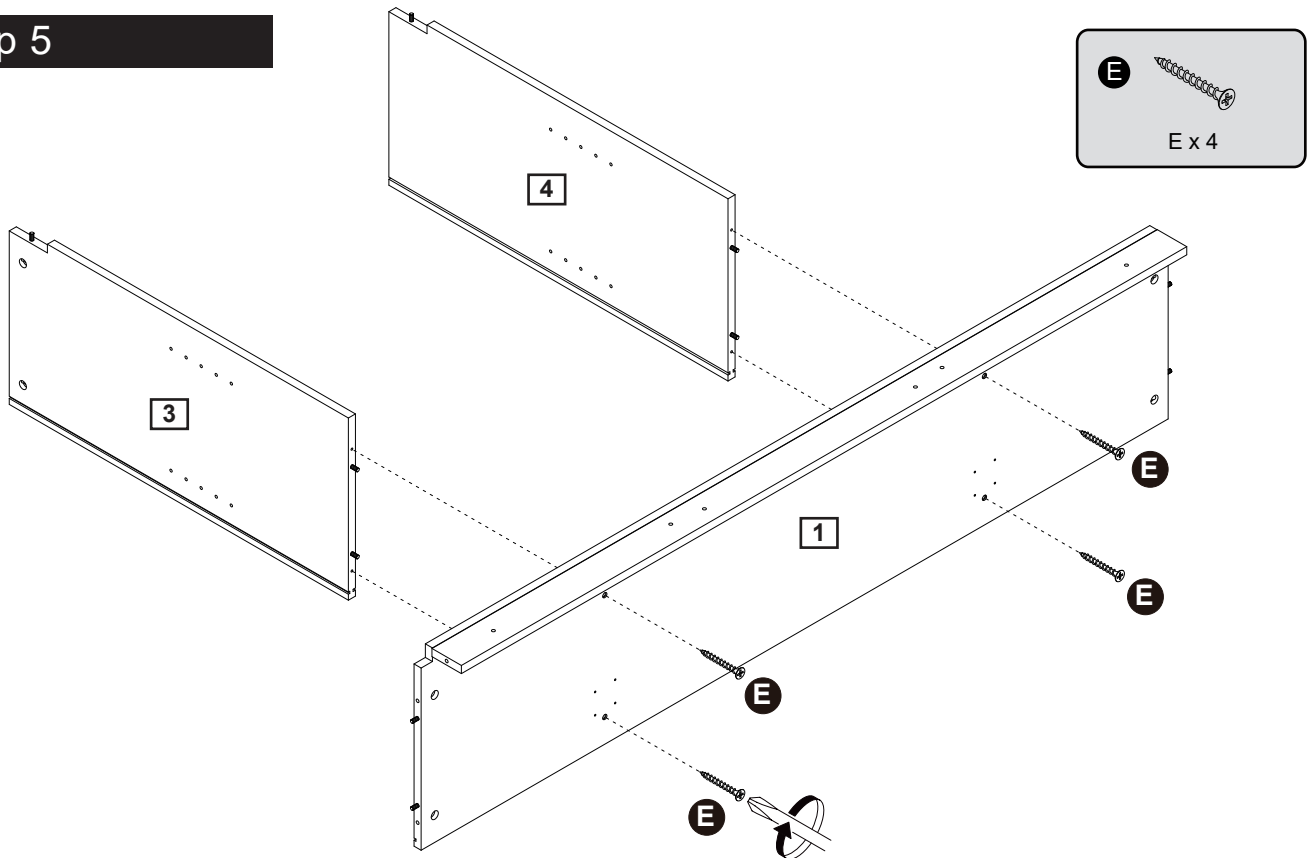
Step 4



Insert wooden dowel (C) into part (3, 4).

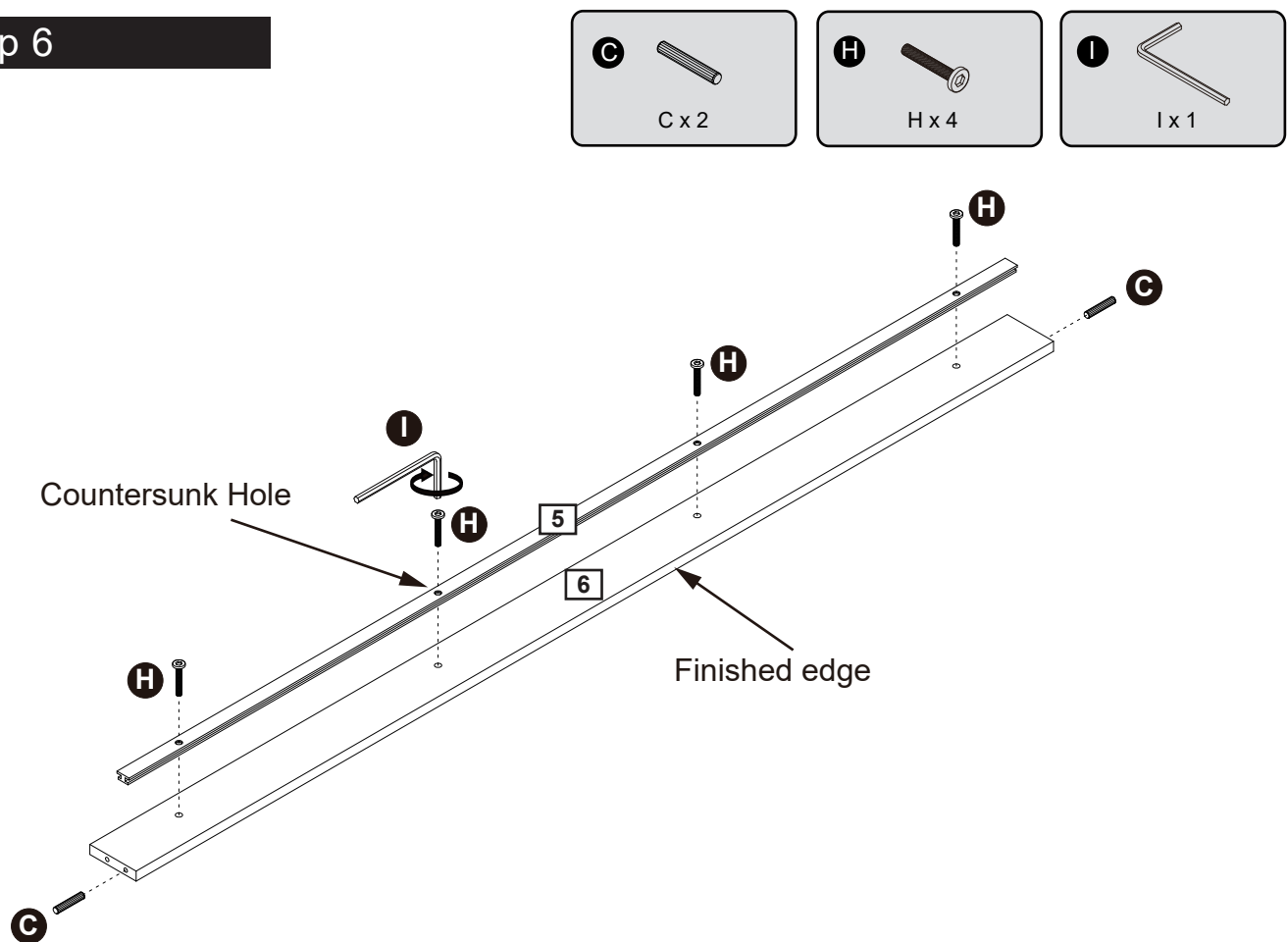
Assembly Instructions

Step 5



Attach part (3, 4) to part (1) using screw (E) with a screwdriver.

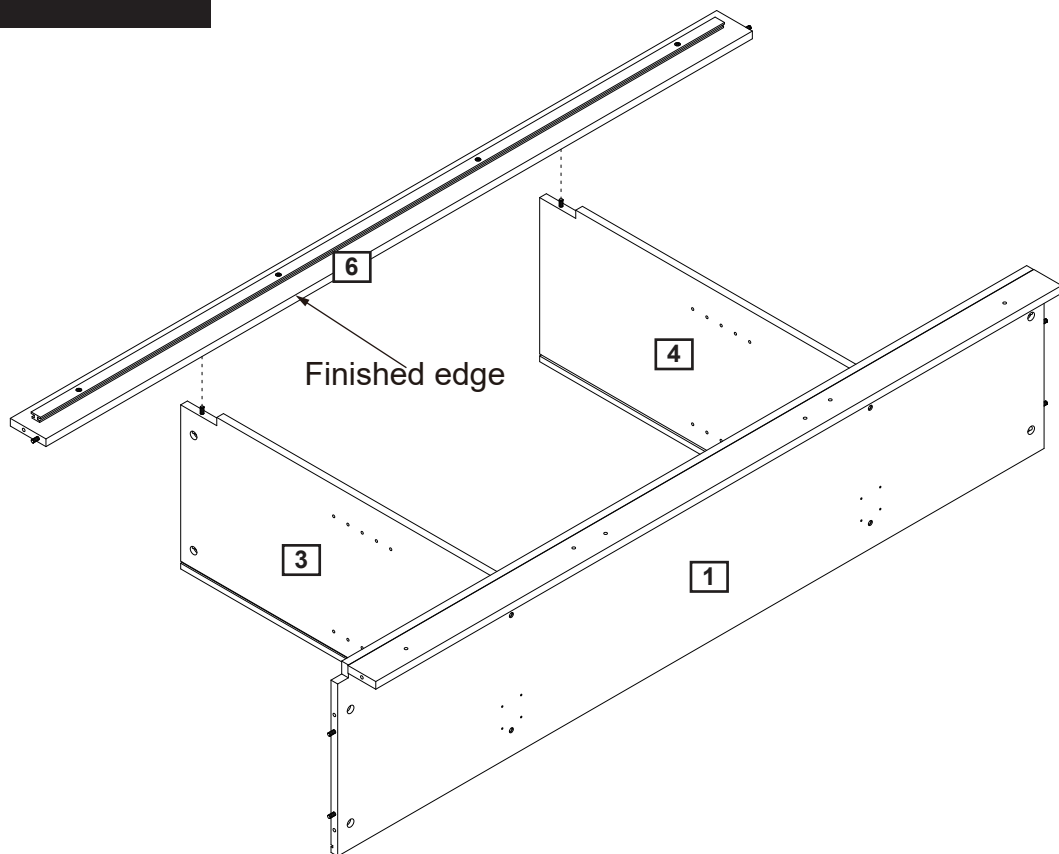
Step 6



Attach part (5) to part (6) using bolt (H) with allen key (I).
Insert wooden dowel (C) into part (6).

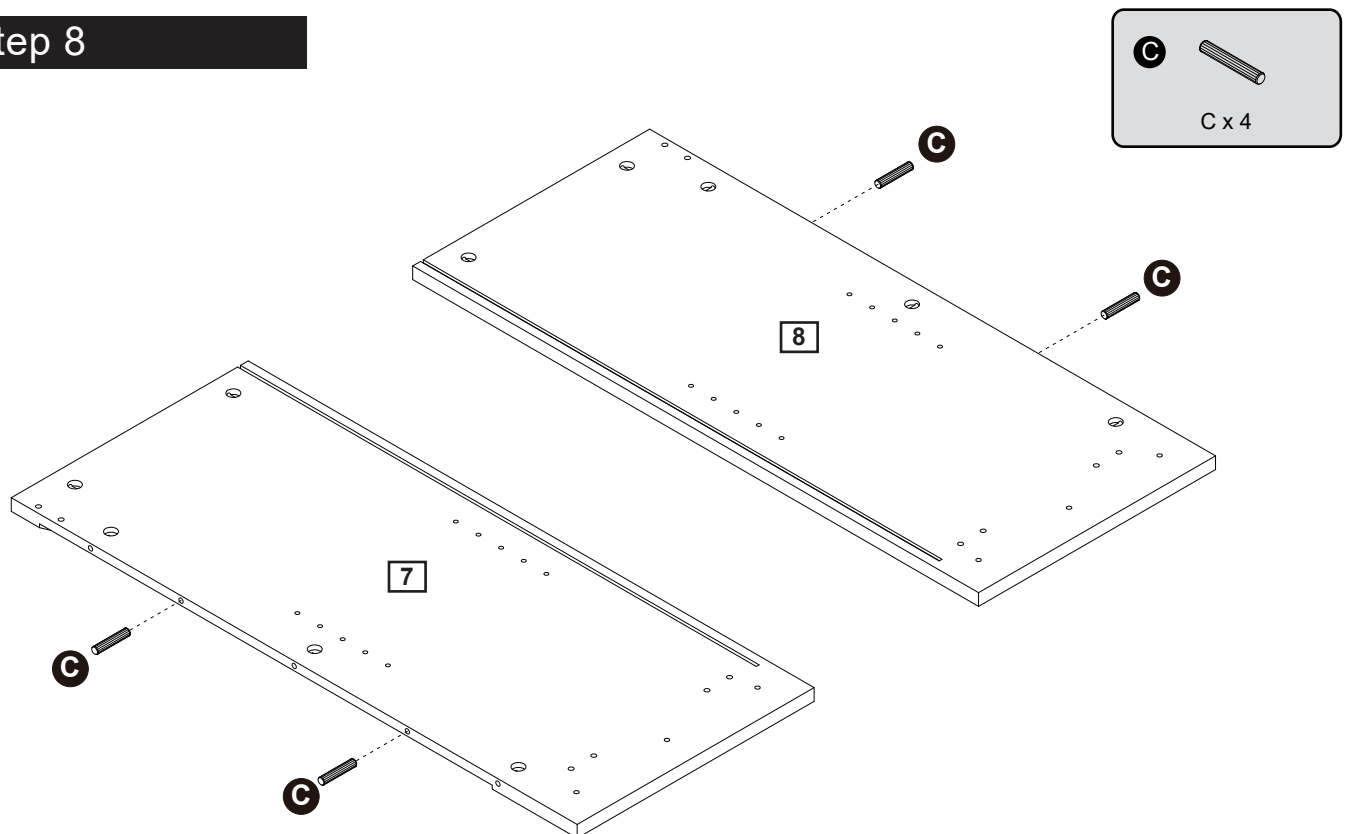
Assembly Instructions

Step 7



Attach part (6) to part (3, 4).

Step 8



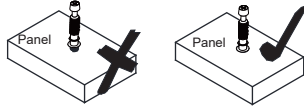
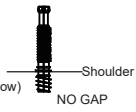
Insert wooden dowel (C) into part (7, 8).

Assembly Instructions

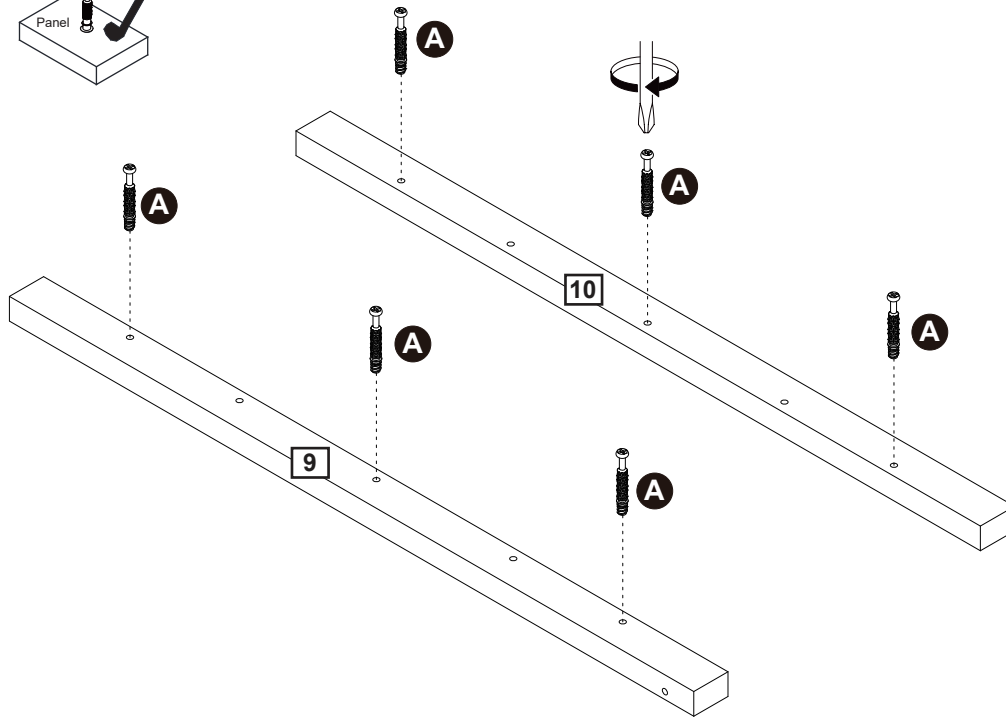
Step 9

CAM-LOCK

Tighten until shoulder is flush with panel. Do not overtighten or undertighten (see example below)



A x 6



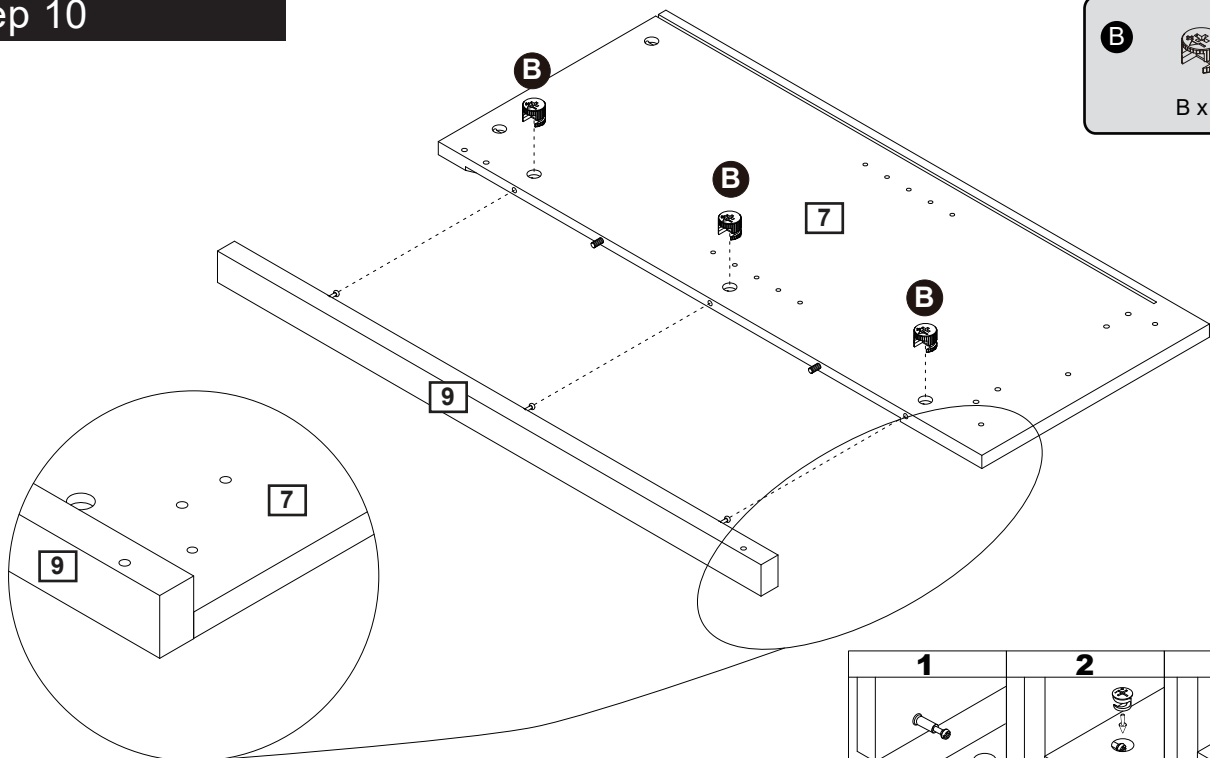
Attach cam bolt (A) to part (9, 10) with a screwdriver.

Step 10

B



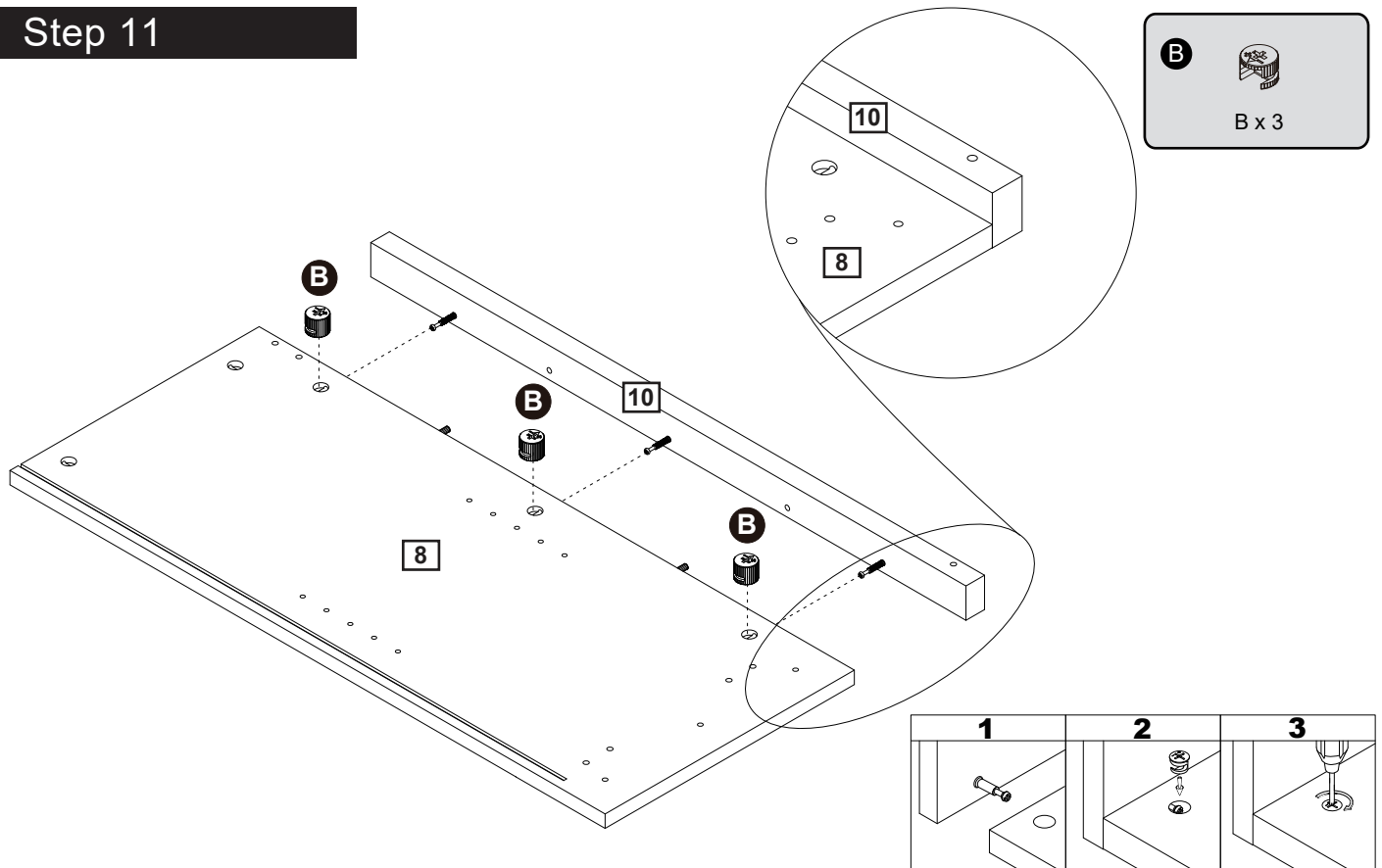
B x 3



Attach part (9) to part (7), then insert and secure cam lock (B) to part (7) to lock it.

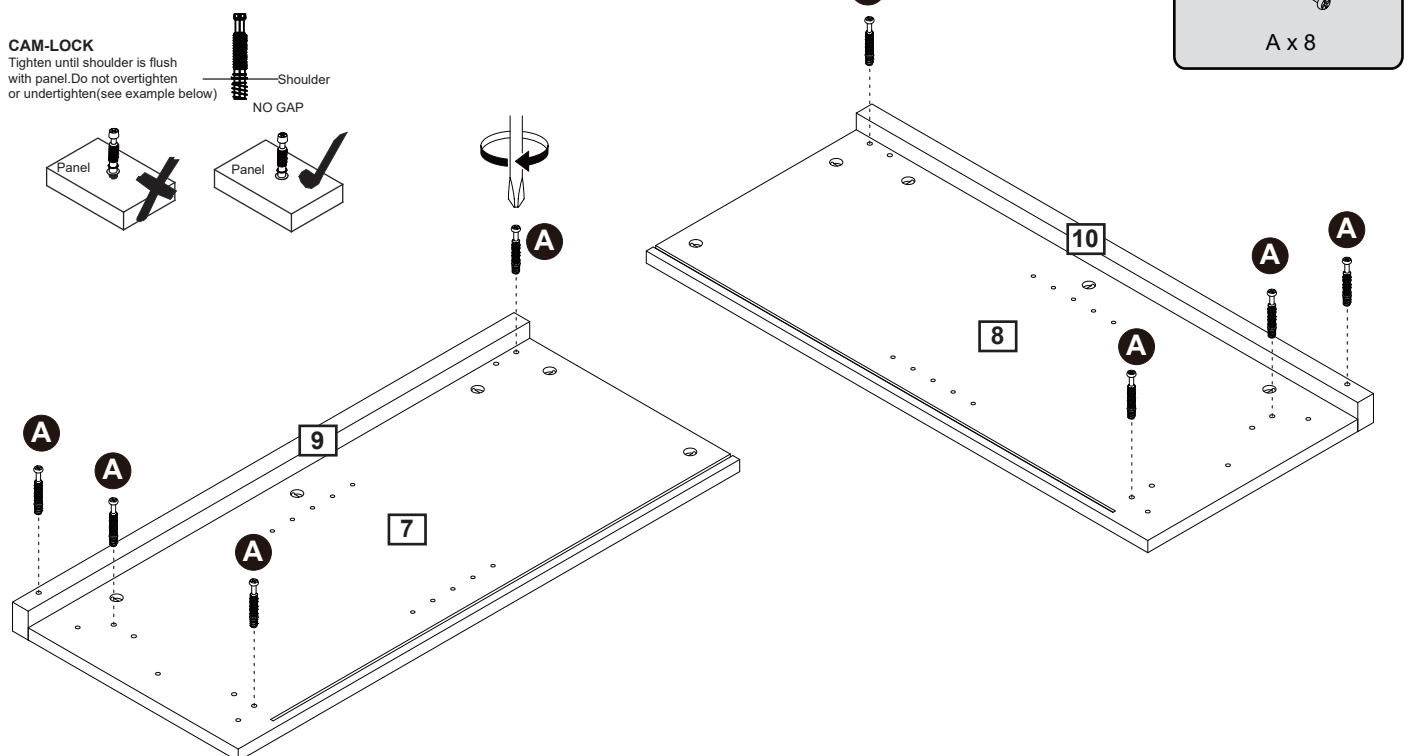
Assembly Instructions

Step 11



Attach part (10) to part (8), then insert and secure cam lock (B) to part (8) to lock it.

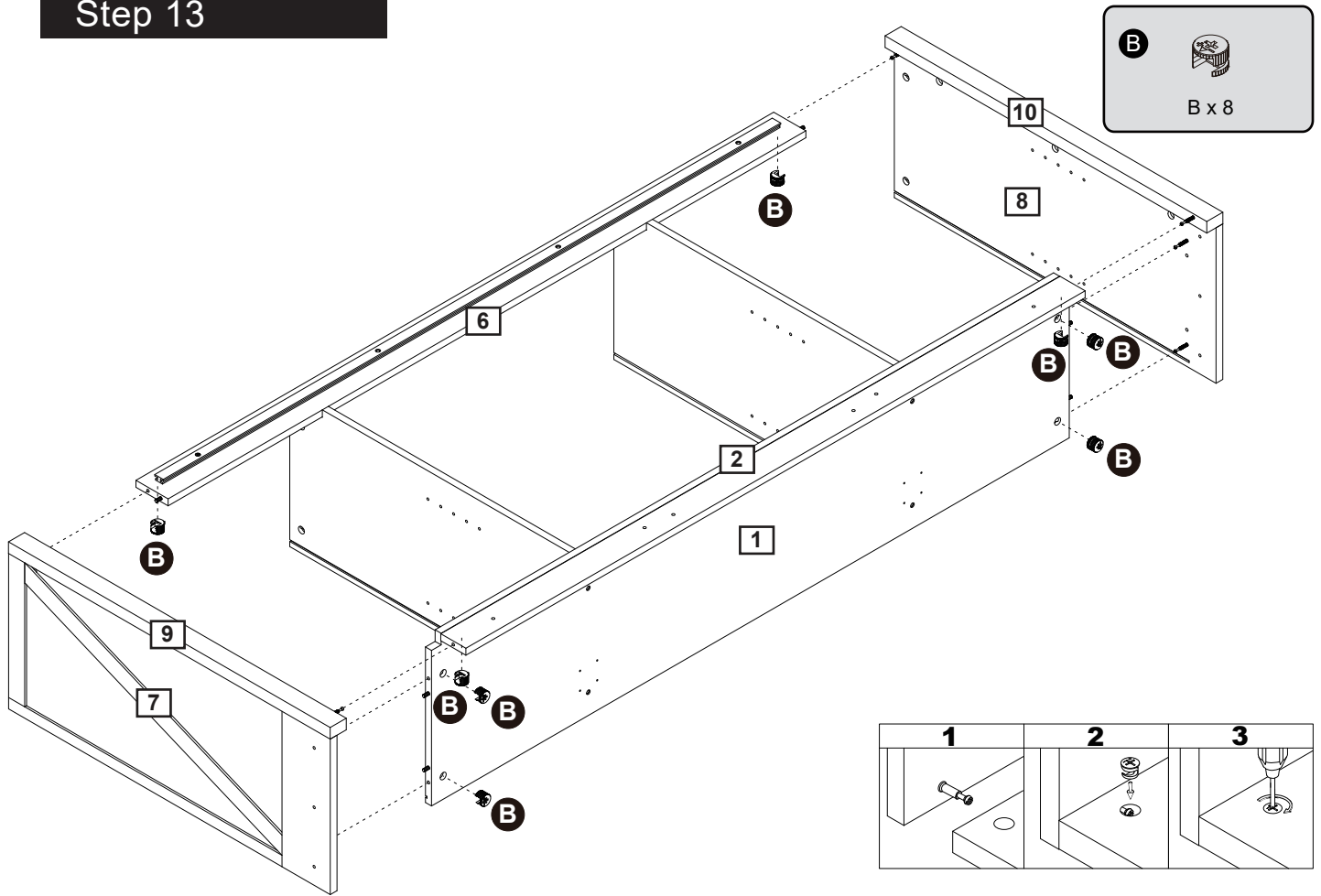
Step 12



Attach cam bolt (A) to part (7, 8, 9, 10) with a screwdriver.

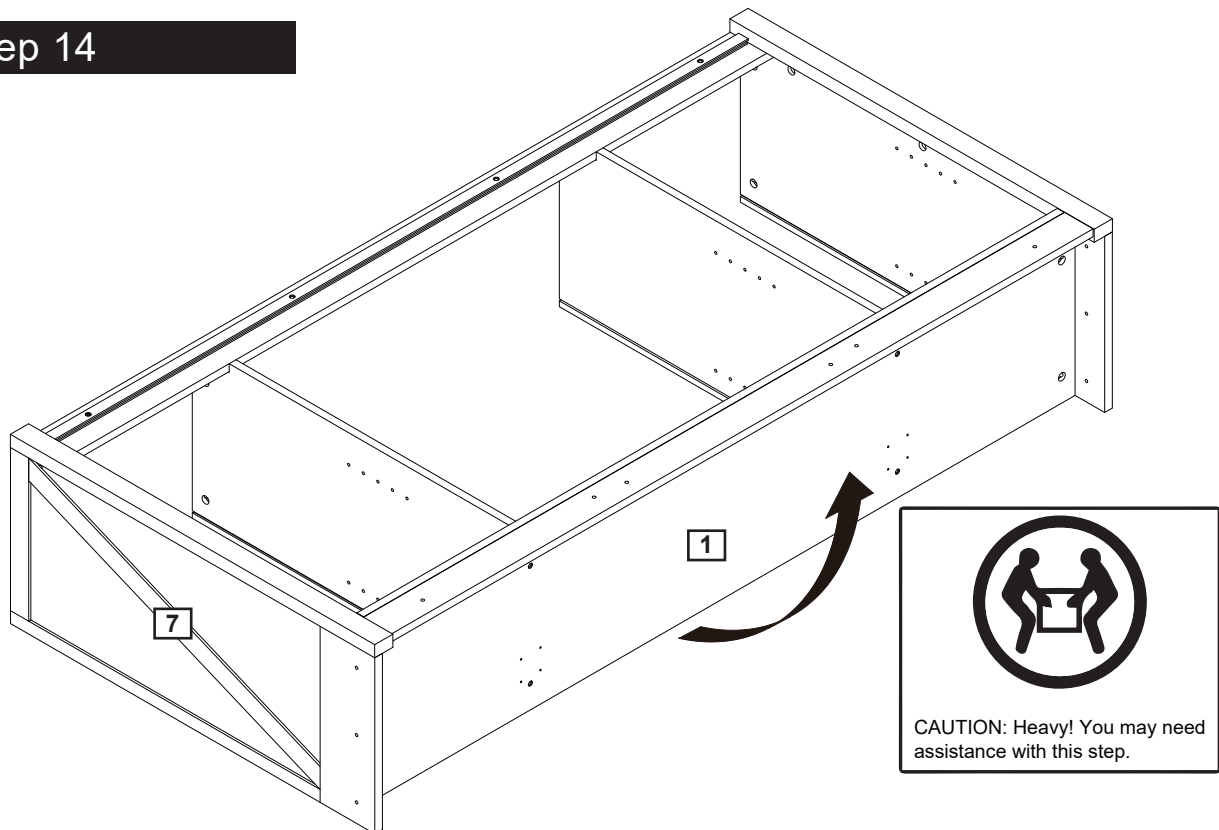
Assembly Instructions

Step 13



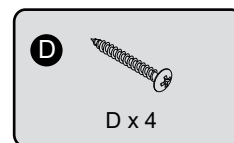
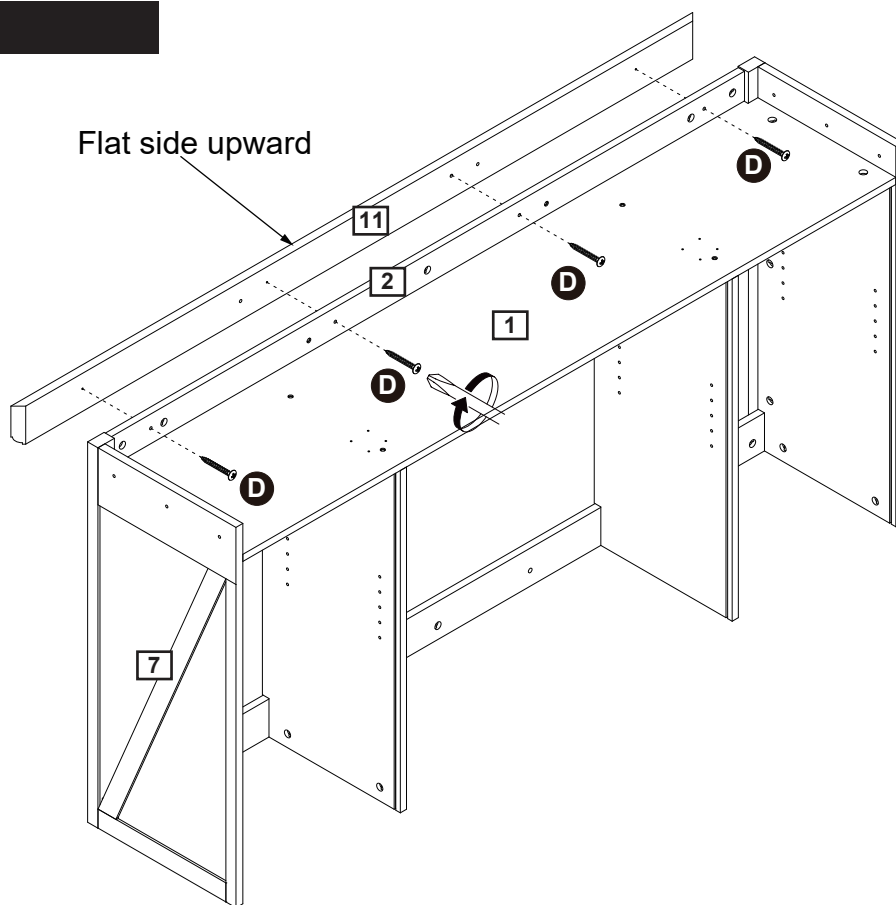
Attach part (7, 9) to part (1, 2, 6), then insert and secure cam lock (B) to part (1, 2, 6) to lock it.
Attach part (8, 10) to part (1, 2, 6), then insert and secure cam lock (B) to part (1, 2, 6) to lock it.

Step 14



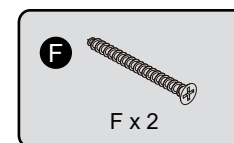
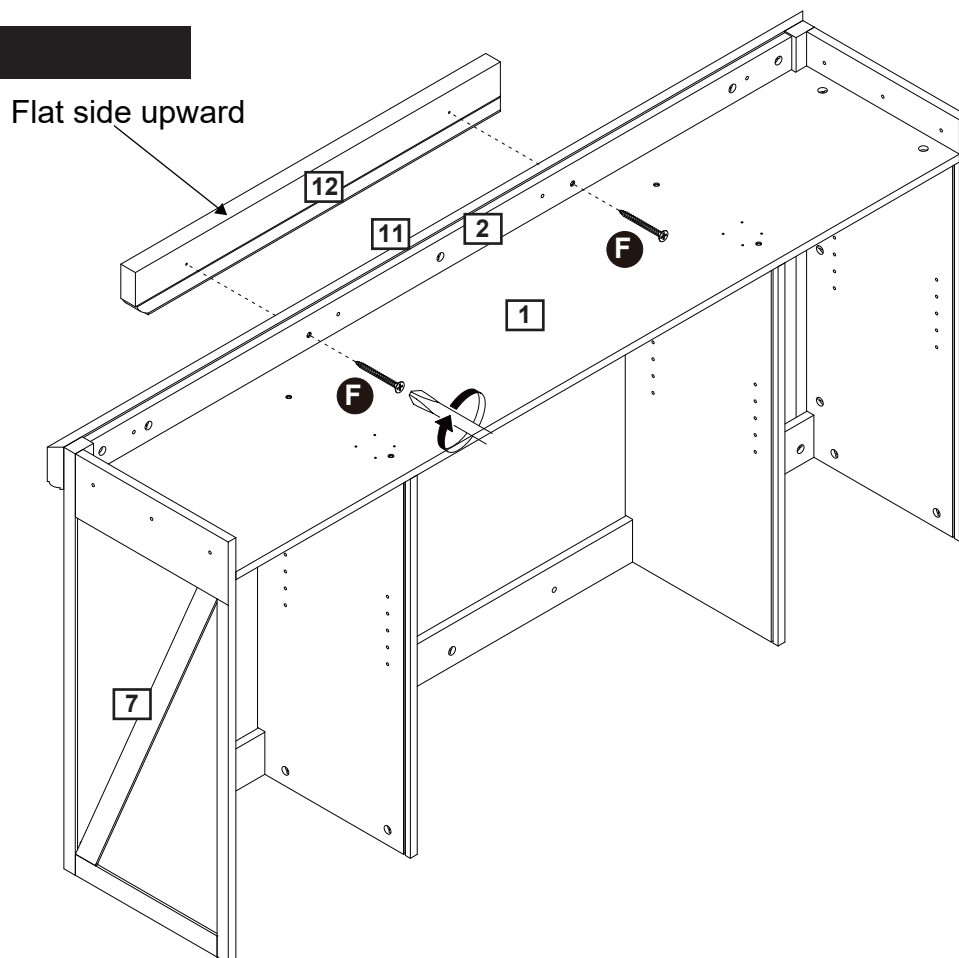
Assembly Instructions

Step 15



Attach part (11) to part (2) using screw (D) with a screwdriver.

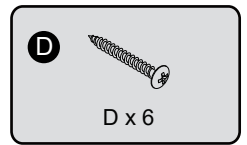
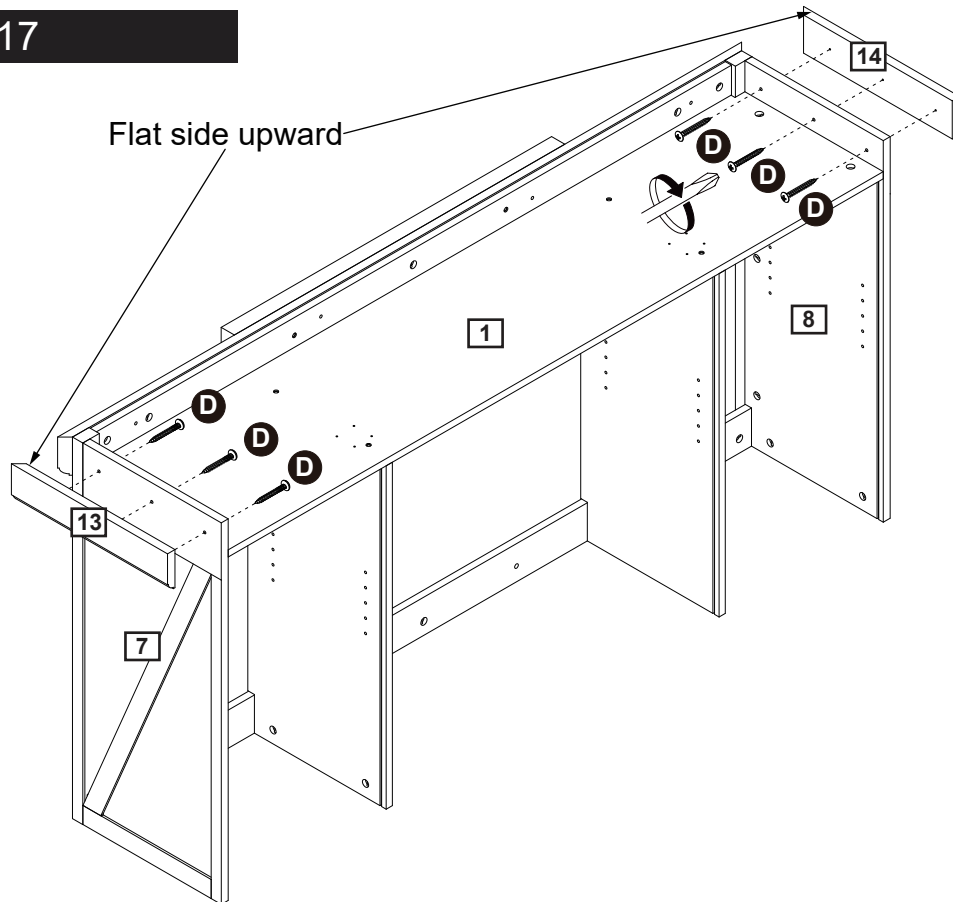
Step 16



Attach part (12) to part (11) using screw (F) with a screwdriver.

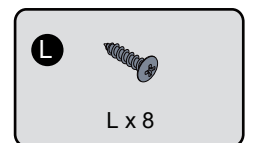
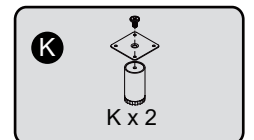
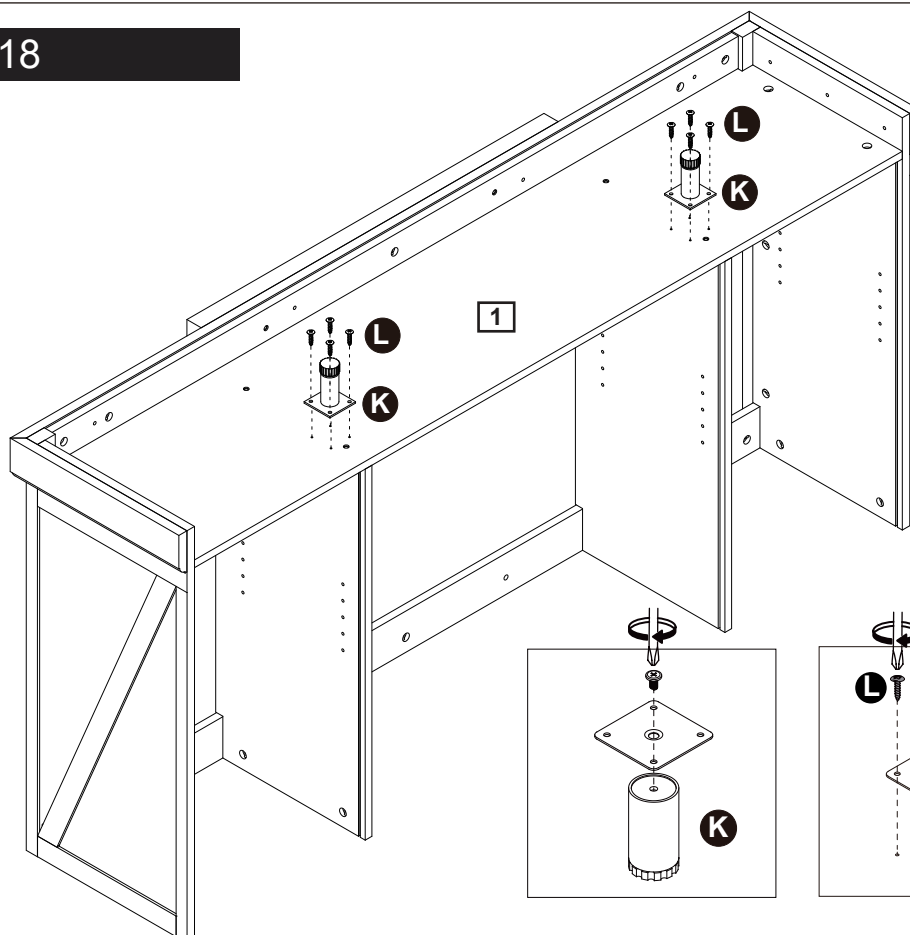
Assembly Instructions

Step 17



Attach part (13) to part (7) and part (14) to part (8) using screw (D) with a screwdriver.

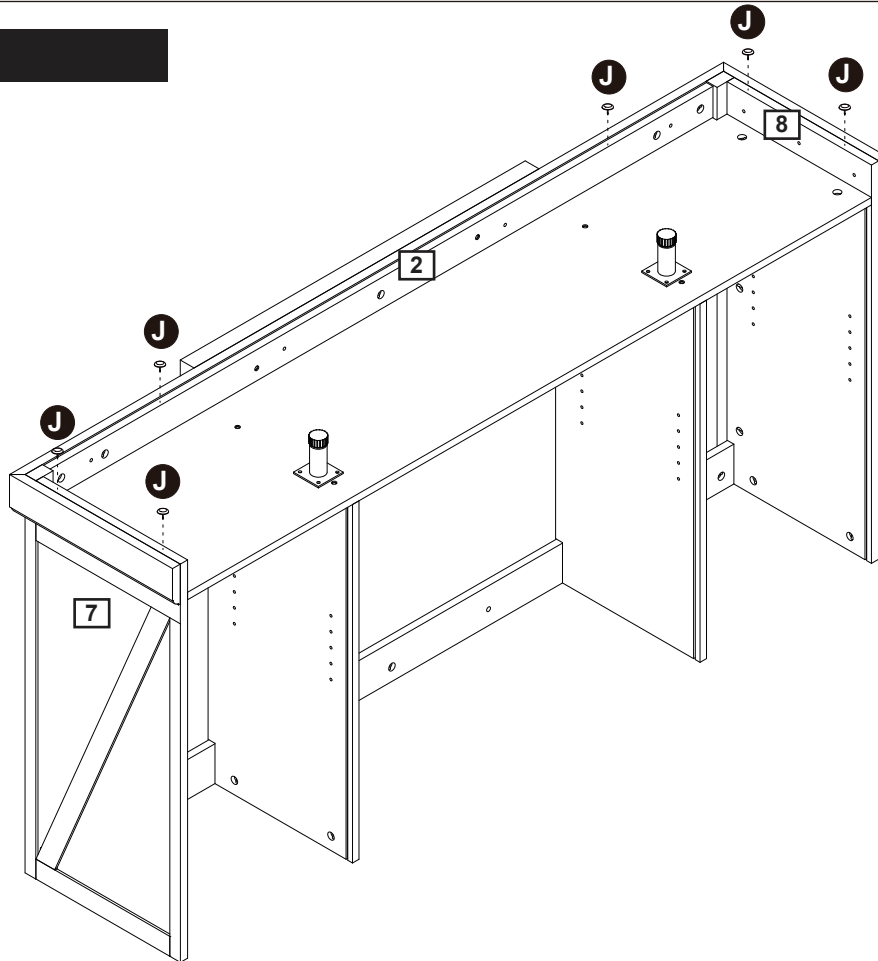
Step 18



Attach adjustable foot (K) to part(1) using screw(L) with a screwdriver.

Assembly Instructions

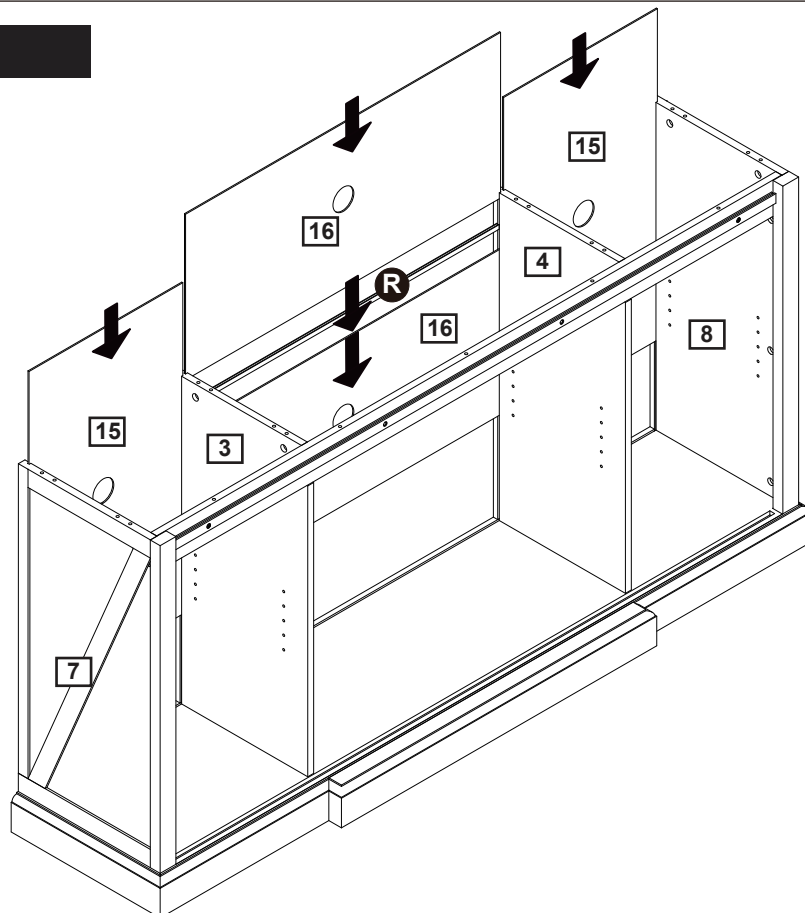
Step 19



J 
J x 6

Insert protective foot (J) to the panels.

Step 20

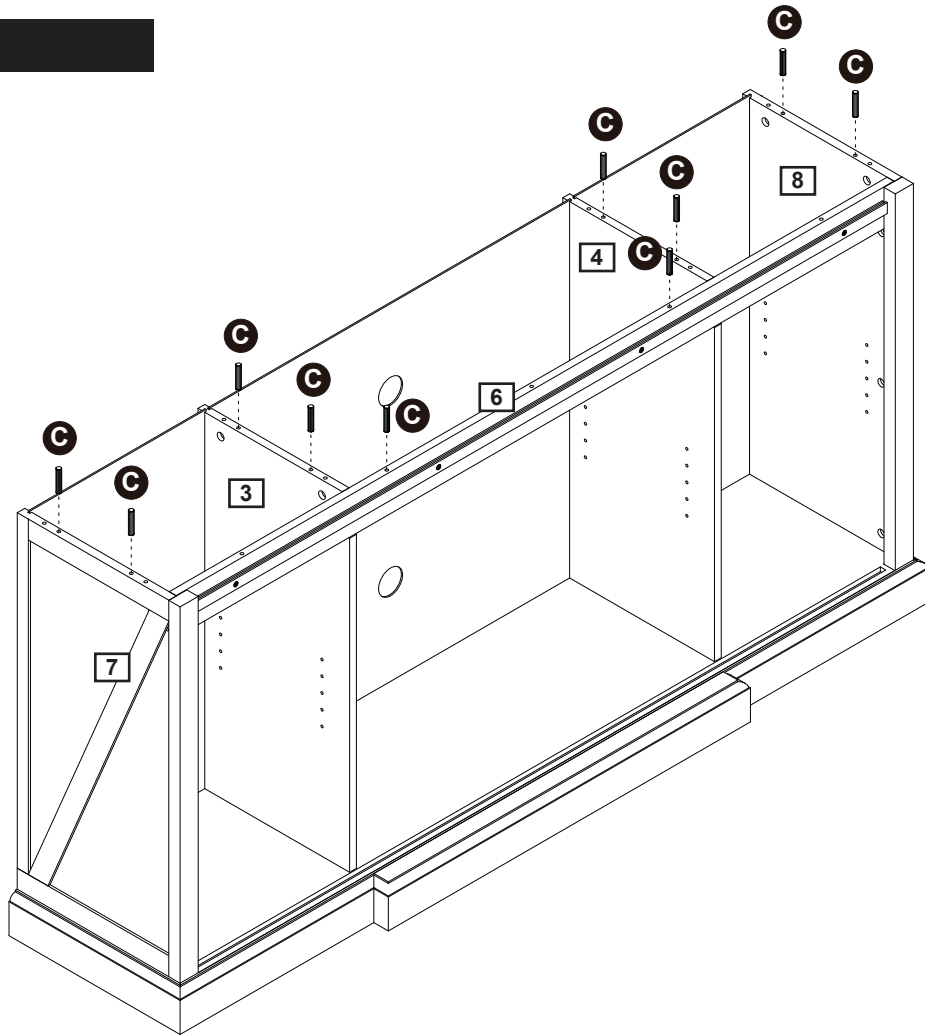


R 
R x 1

Slide the back panel (15, 16) into grooves as per diagram.

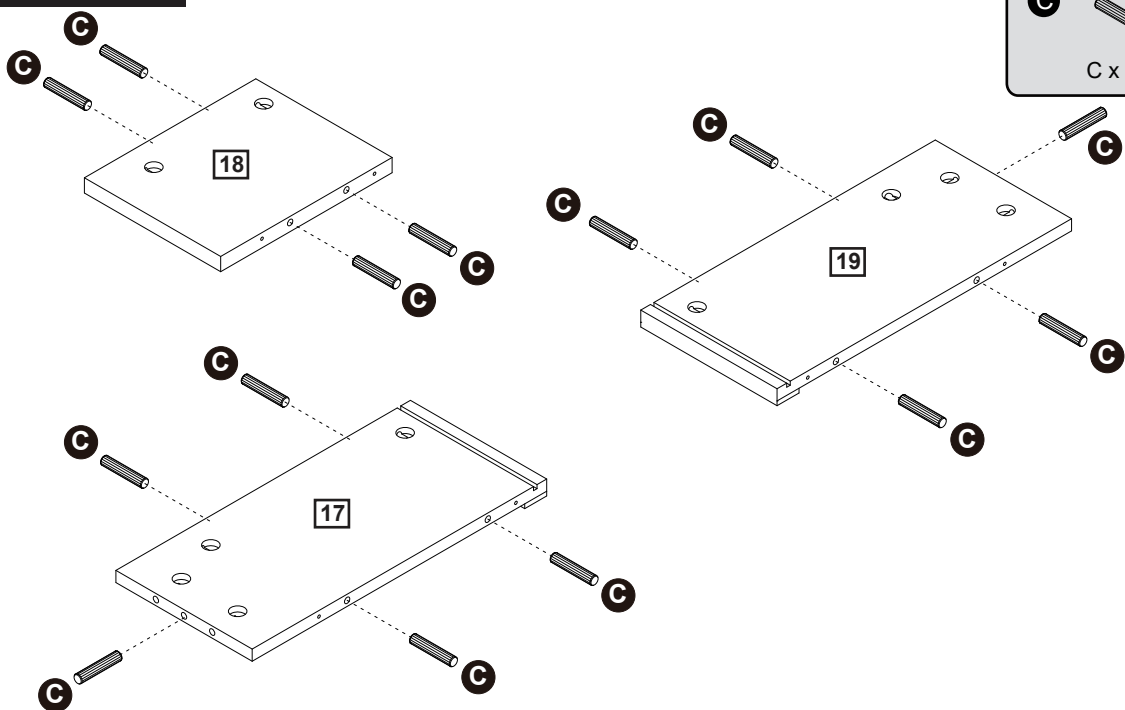
Assembly Instructions

Step 21



Insert wooden dowel (C) into part (3, 4, 6, 7, 8).

Step 22



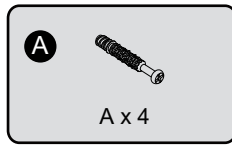
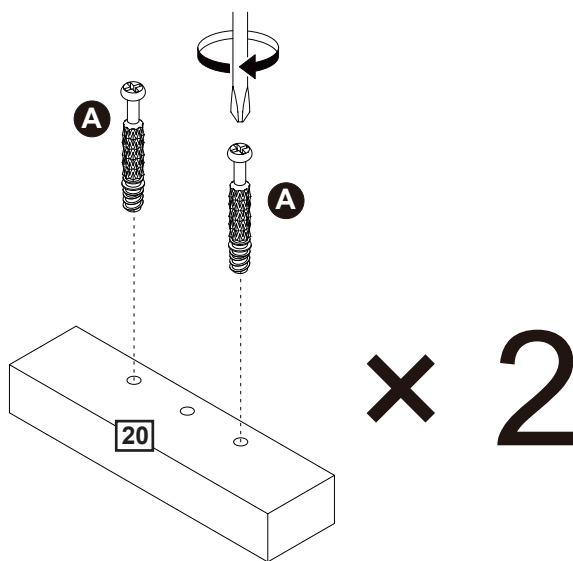
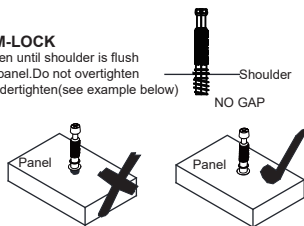
Insert wooden dowel (C) into part (17, 18, 19).

Assembly Instructions

Step 23

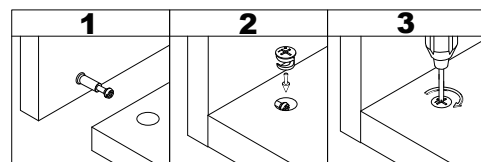
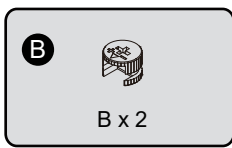
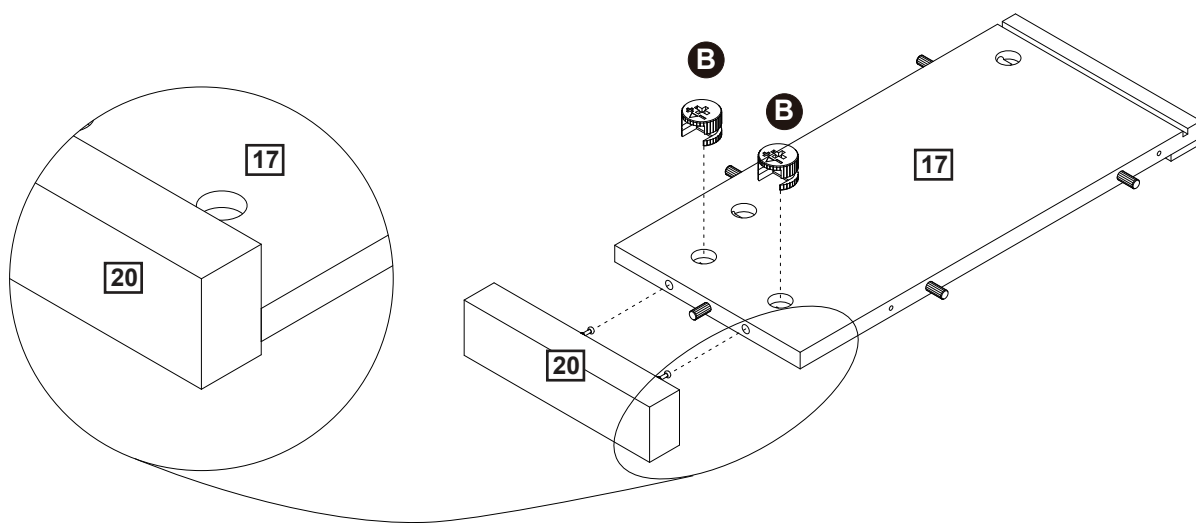
CAM-LOCK

Tighten until shoulder is flush with panel. Do not overtighten or undertighten (see example below)



Attach cam bolt (A) to part (20) with a screwdriver.

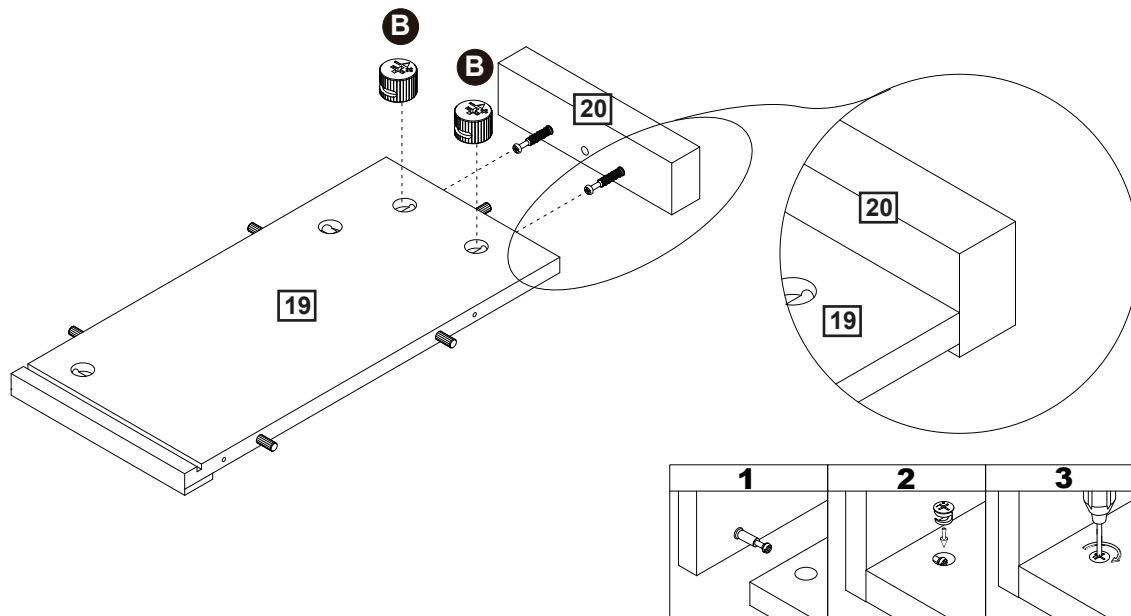
Step 24



Attach part (20) to part (17), then insert and secure cam lock (B) to part (17) to lock it.

Assembly Instructions

Step 25

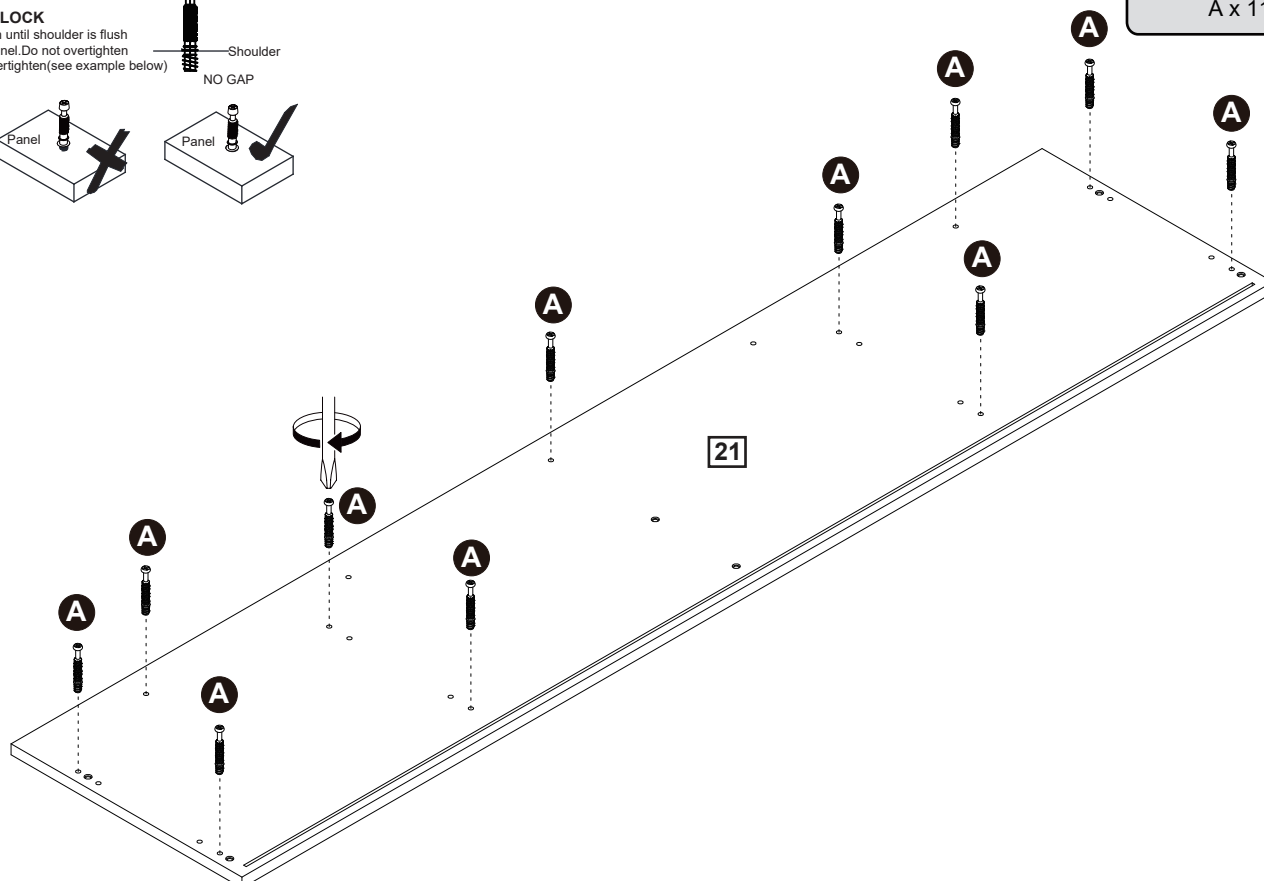
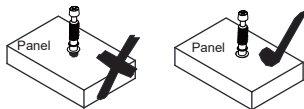
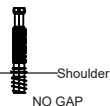


Attach part (20) to part (19), then insert and secure cam lock (B) to part (19) to lock it.

Step 26

CAM-LOCK

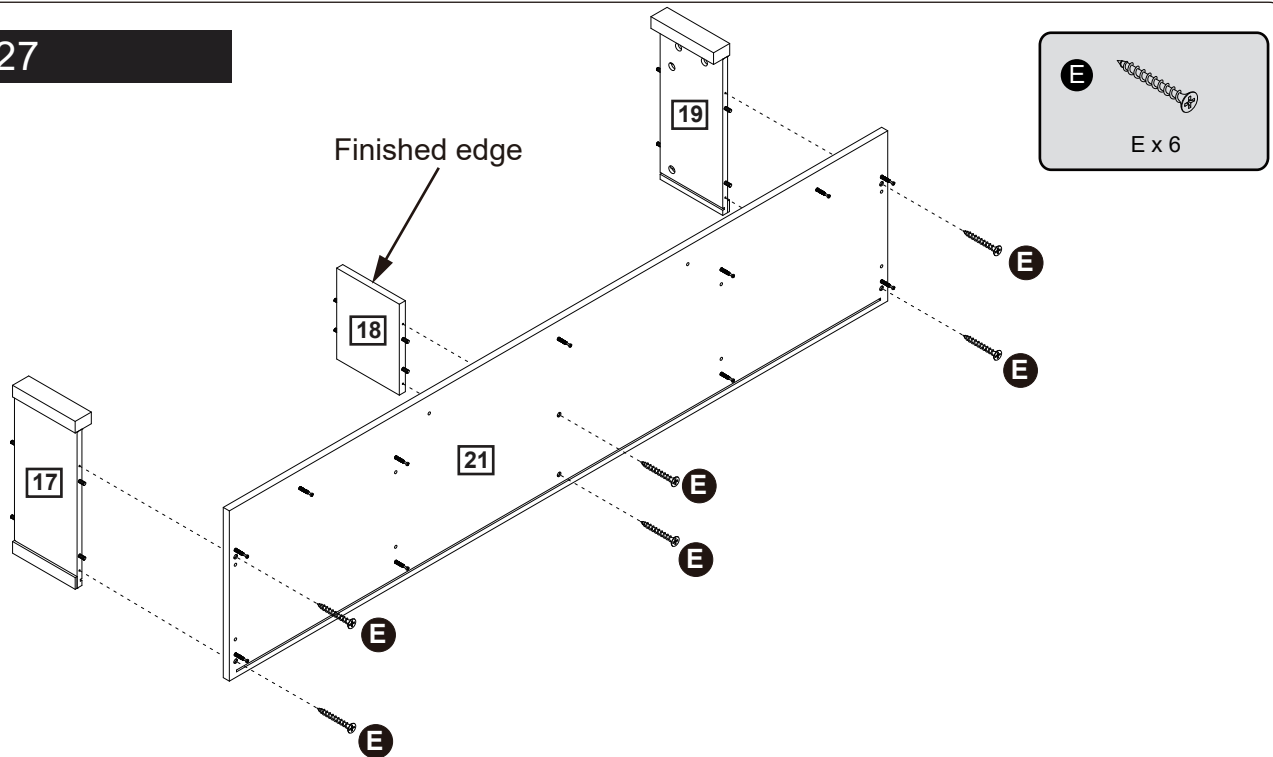
Tighten until shoulder is flush with panel. Do not overtighten or undertighten (see example below)



Attach cam bolt (A) to part (21) with a screwdriver.

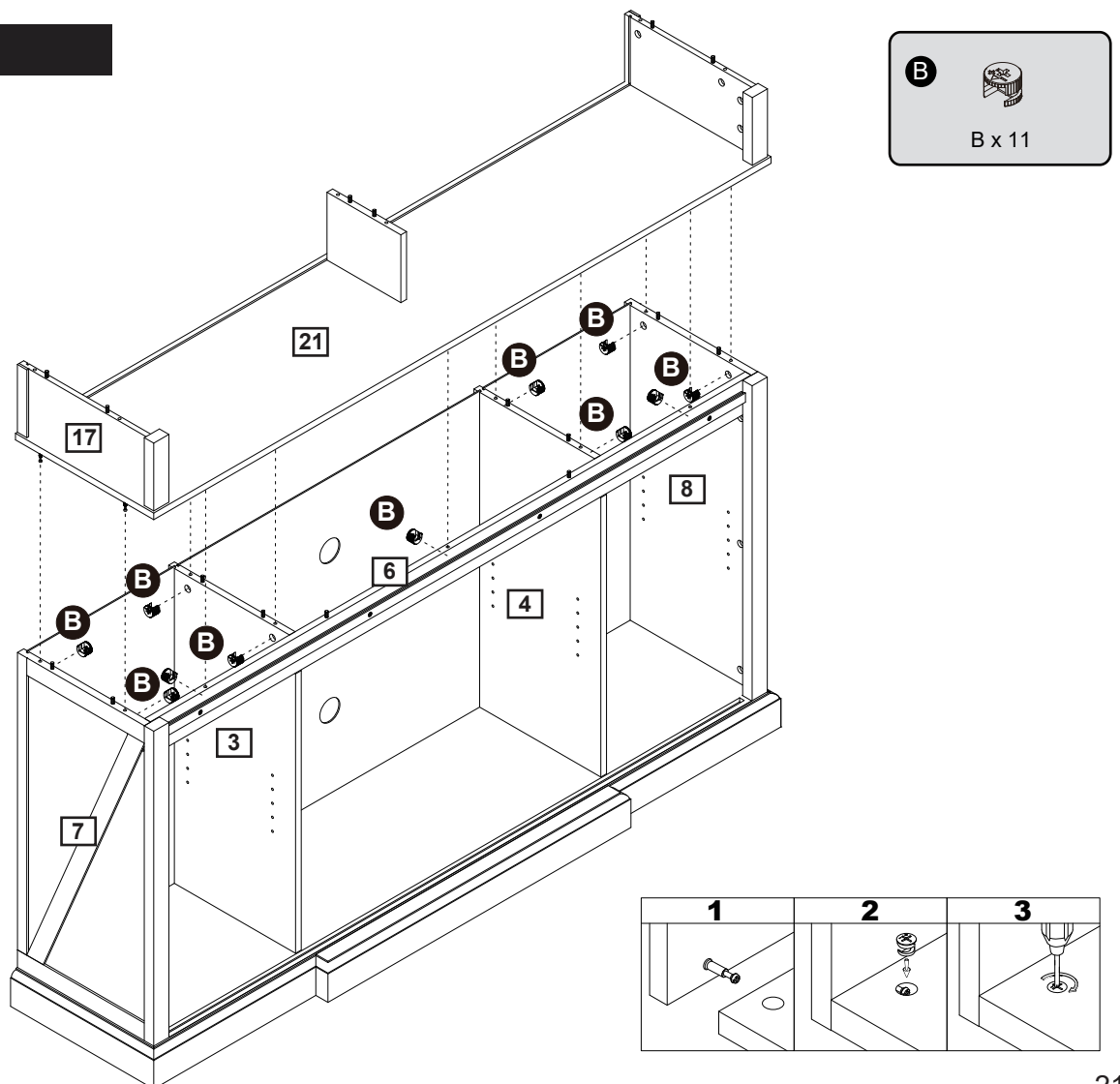
Assembly Instructions

Step 27



Attach part (17, 18, 19) to part (21) using screw (E) with a screwdriver.

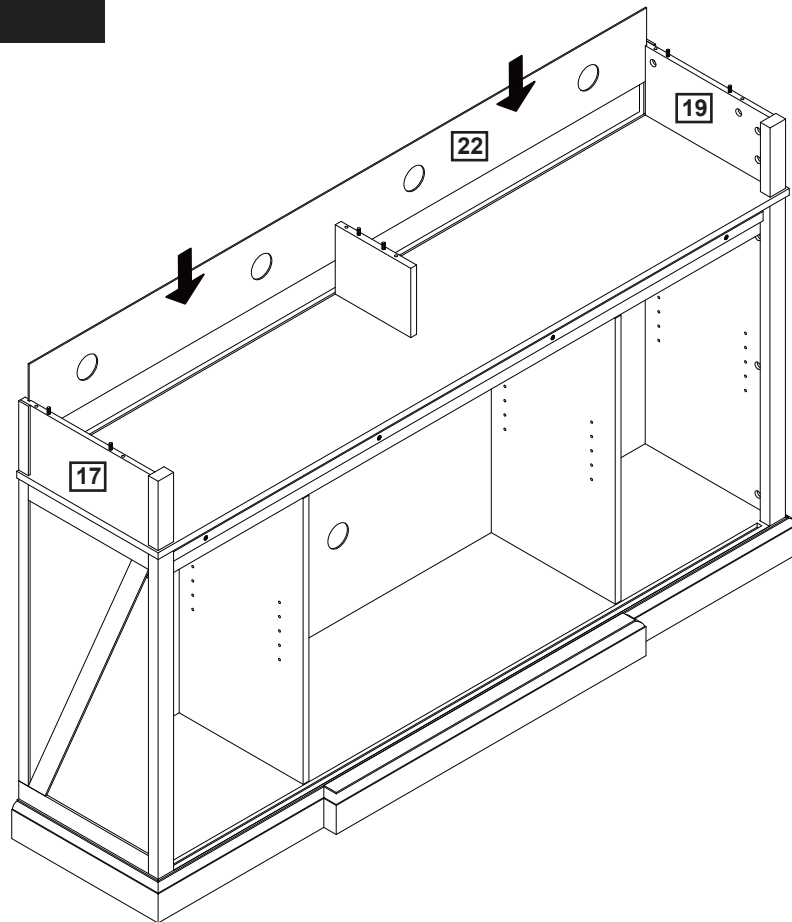
Step 28



Attach part (21) to part (3, 4, 6, 7, 8), then insert and secure cam lock (B) to part (3, 4, 6, 7, 8) to lock it.

Assembly Instructions

Step 29

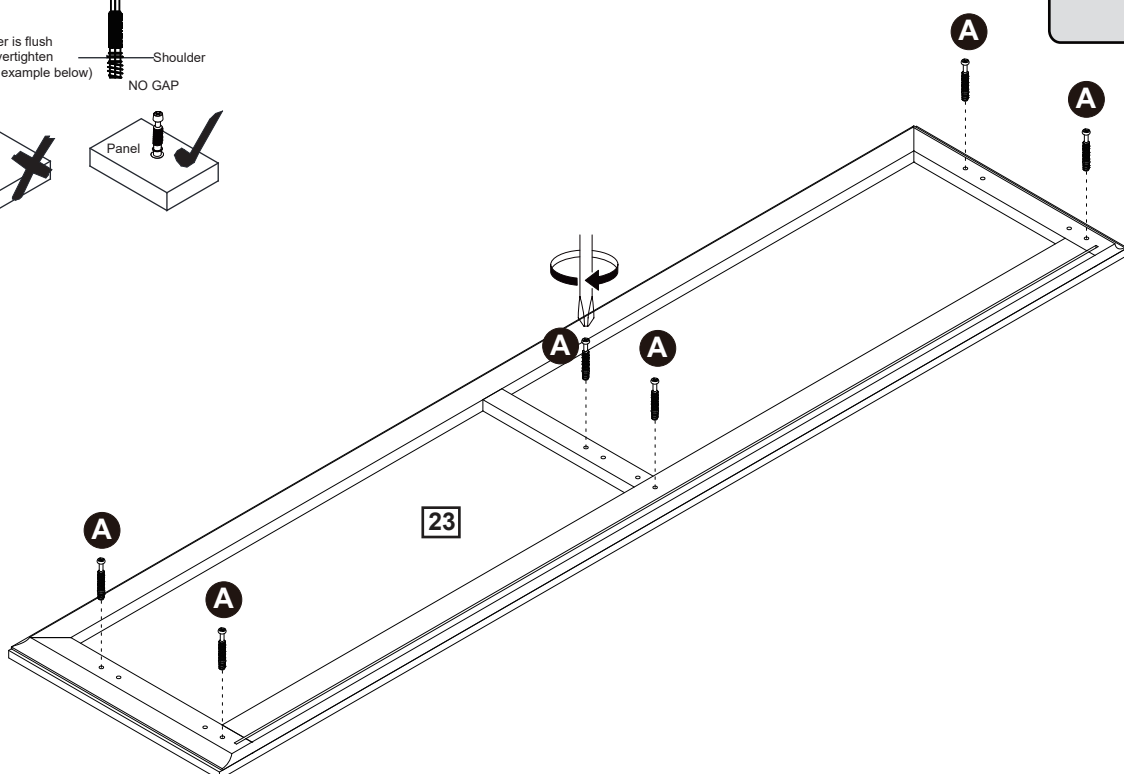
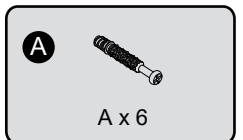
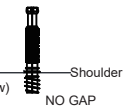
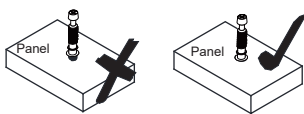


Slide the back panel (22) into grooves as per diagram.

Step 30

CAM-LOCK

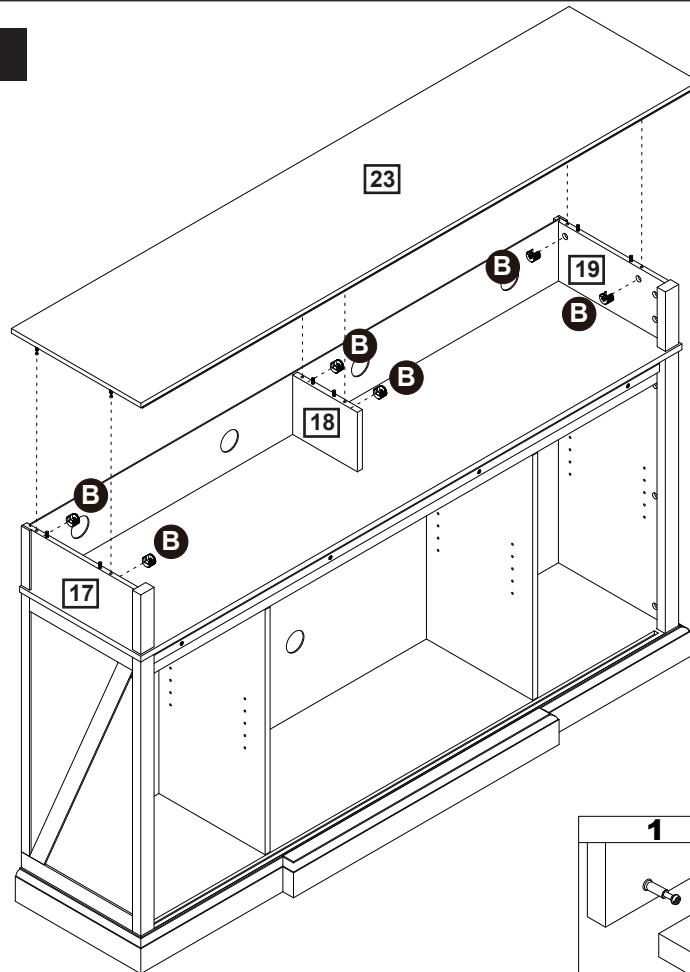
Tighten until shoulder is flush with panel. Do not overtighten or undertighten (see example below)



Attach cam bolt (A) to part (23) with a screwdriver.

Assembly Instructions

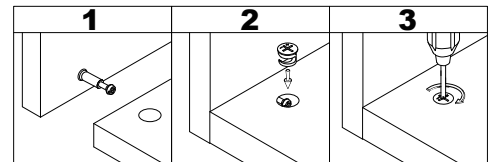
Step 31



B

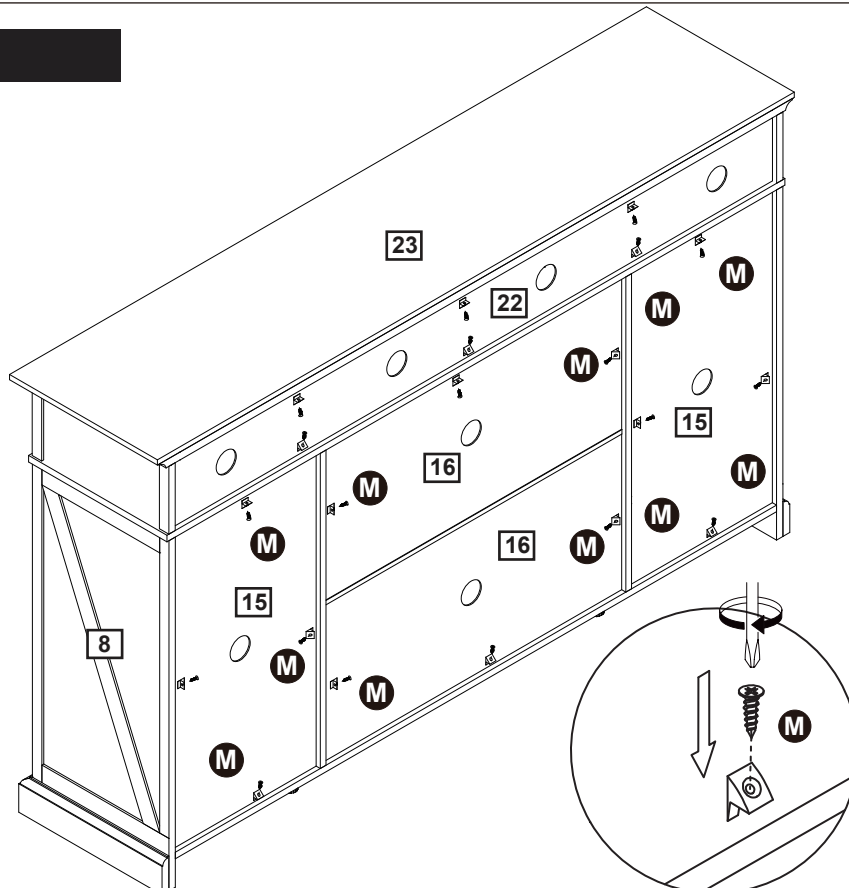


B x 6



Attach part (23) to part (17, 18, 19), then insert and secure cam lock (B) to part (17, 18, 19) to lock it.

Step 32



M

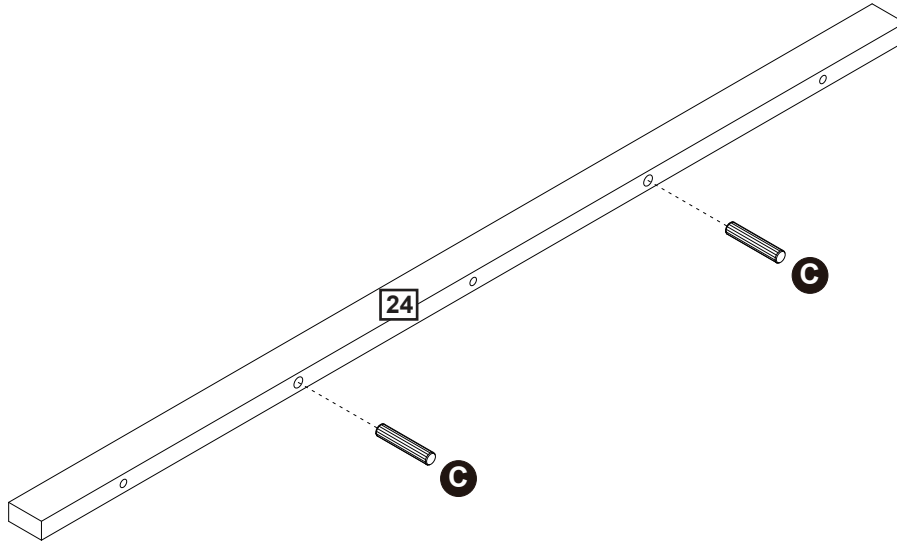
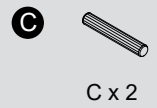


M x 20

Secure back panel (15, 16, 22) using screw (M) with a screwdriver.

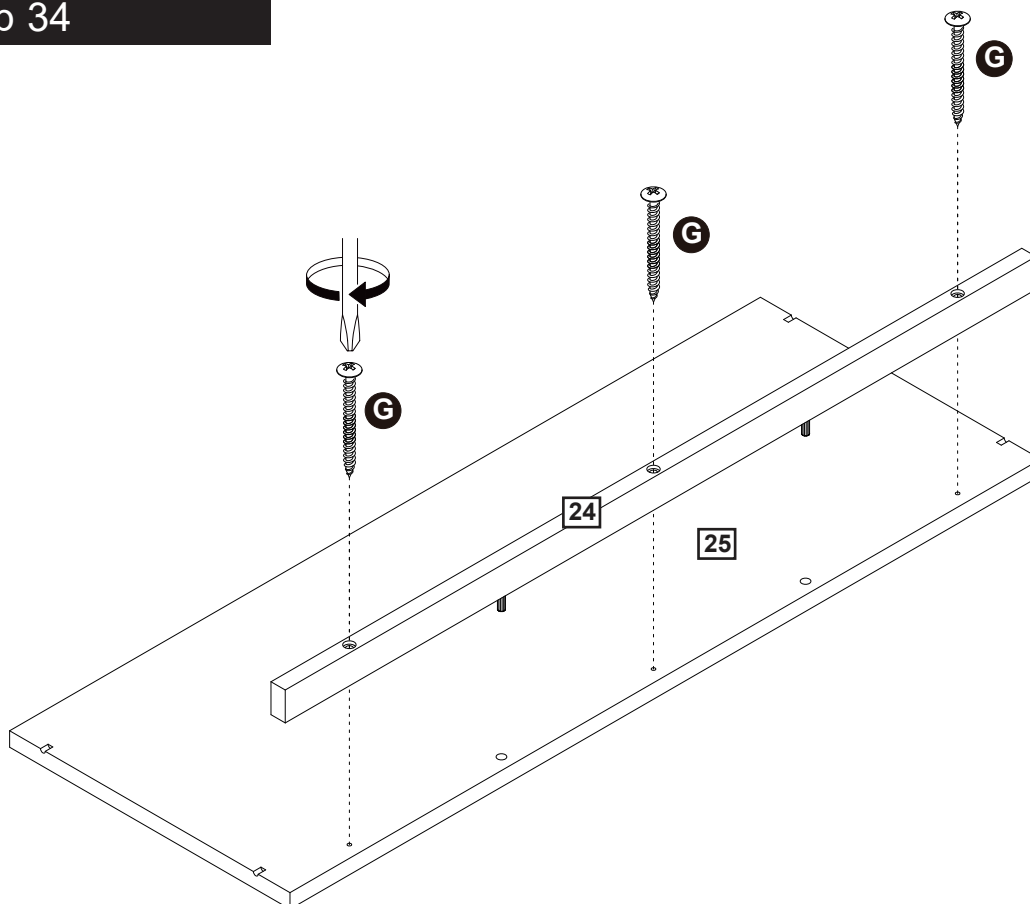
Assembly Instructions

Step 33



Insert wooden dowel (C) into part (24).

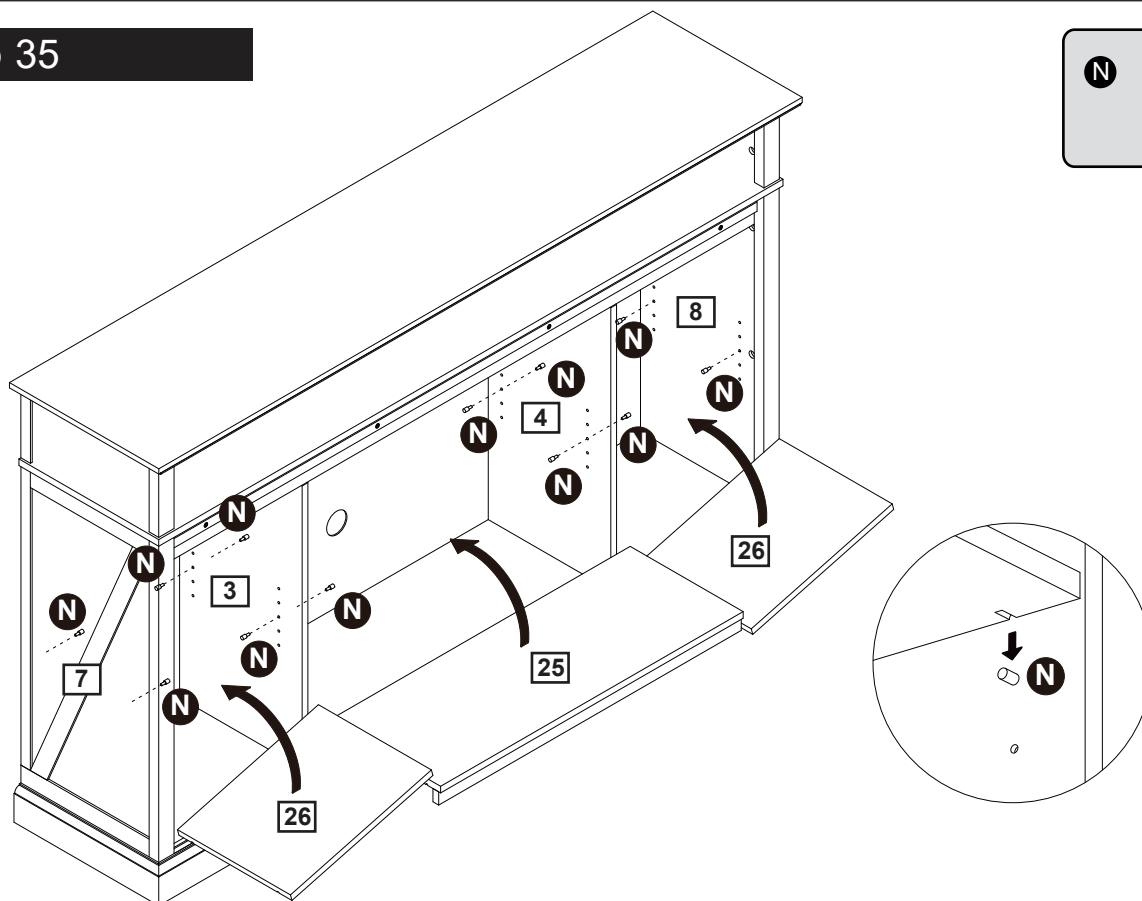
Step 34



Attach part (24) to part (25) using screw (G) with a screwdriver.

Assembly Instructions

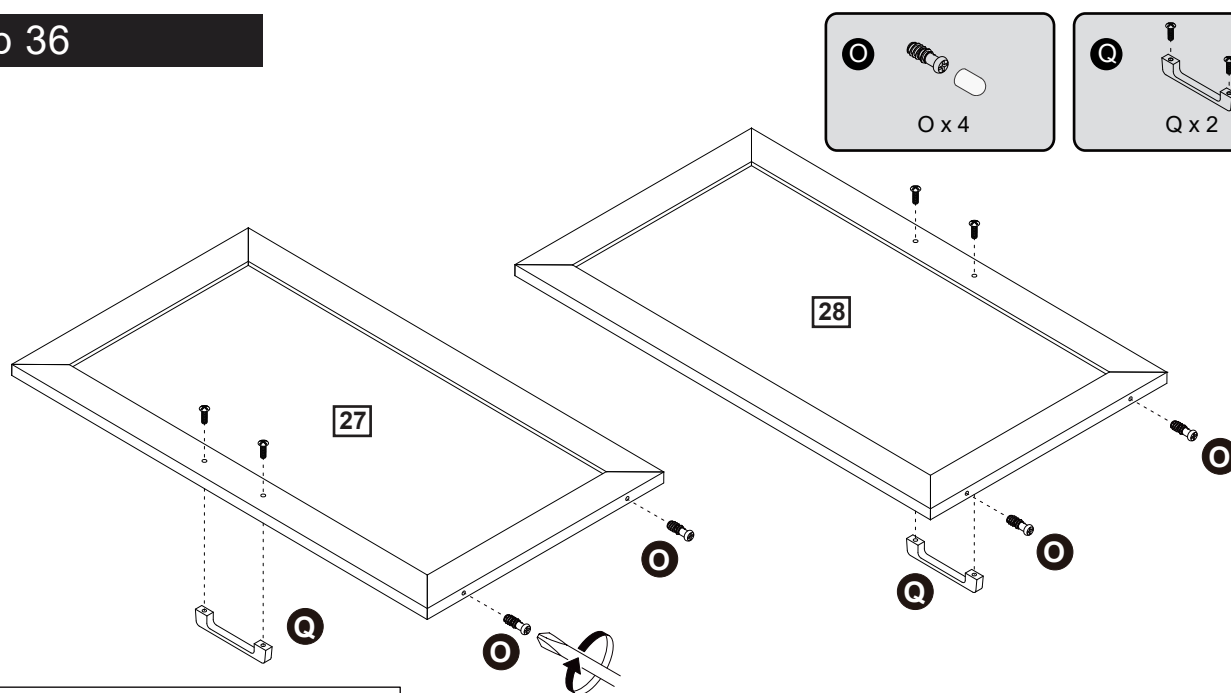
Step 35



N x 12

Insert shelf support pin (N) into part (3, 4, 7, 8).
Place part (25, 26) on the top of support pins.

Step 36



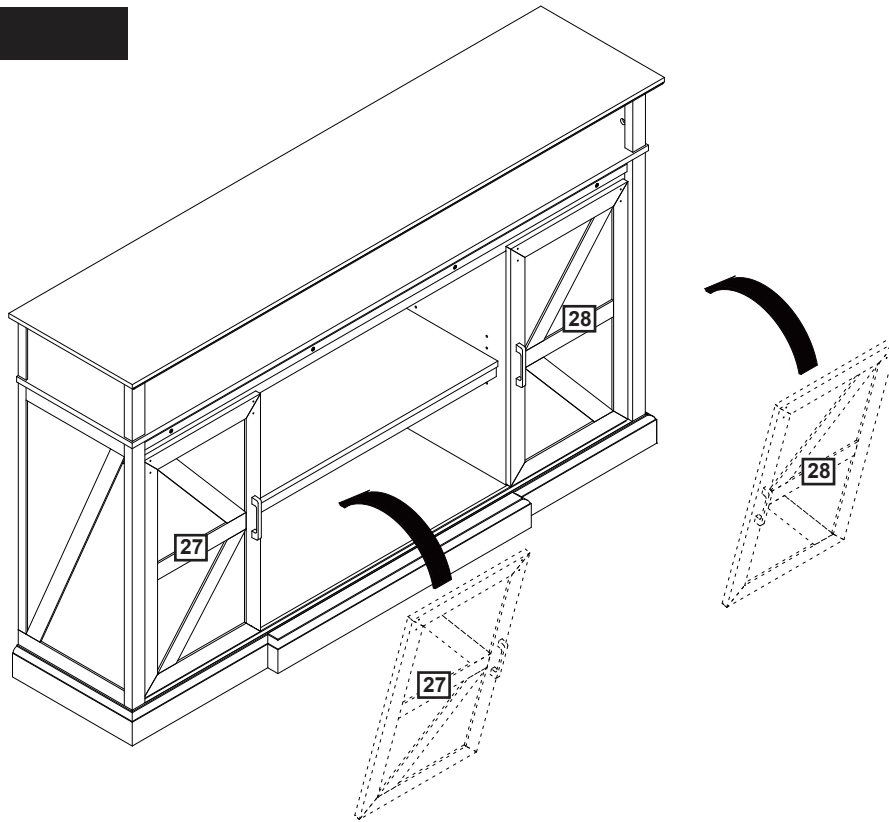
O x 4

Q x 2

Use screw (Q) to secure handle (Q) to door (27, 28) with a screwdriver.
Attach screw and plastic cap (O) to door (27, 28) with a screwdriver.

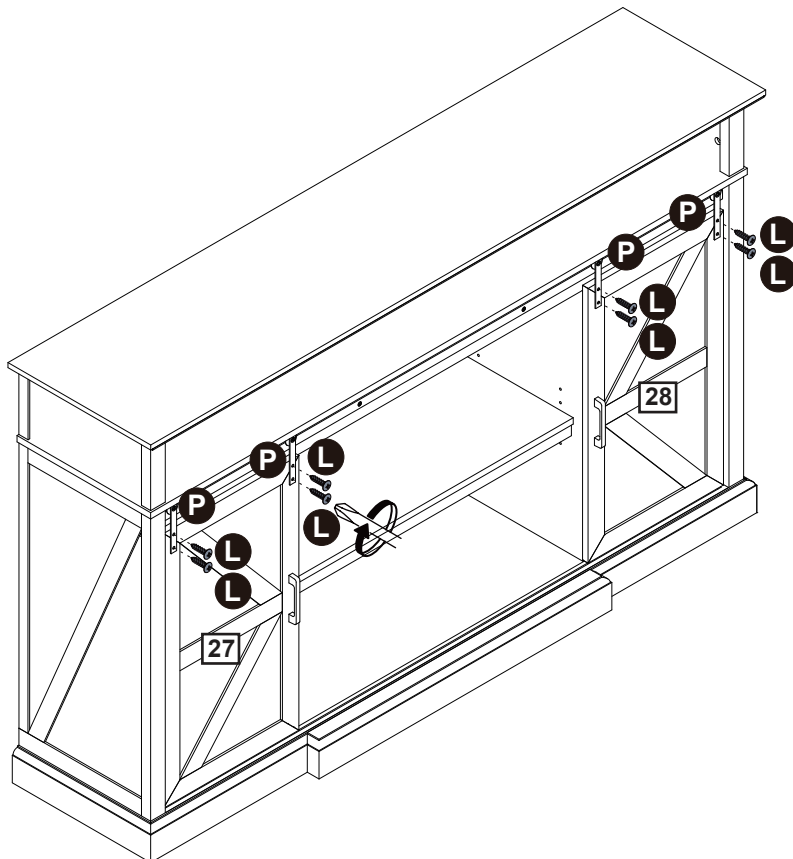
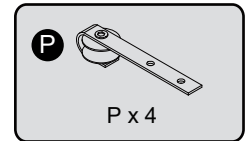
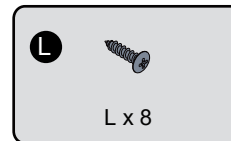
Assembly Instructions

Step 37

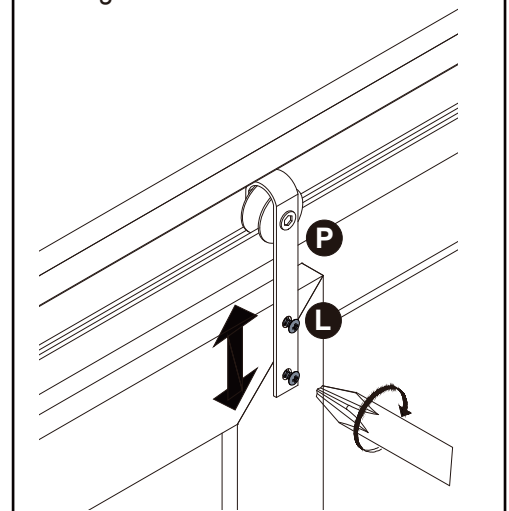


Place door (27, 28) on the track.

Step 38



Door adjustment:
a. to adjust door, loosen screws shown and move door to suit
b. retighten screws

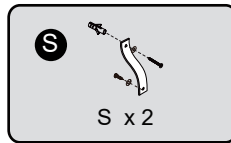


Place pulley (P) on the bar, and then attach pulley (P) to door (27, 28) using screw (L) with a screwdriver.

Assembly Instructions

Step 39

The unit is floor standing, but it is recommended that the unit is secured to the wall.



1. Move the unit into desired position.

2. Mark the wall with a suitable scribe the position of the fixing holes.



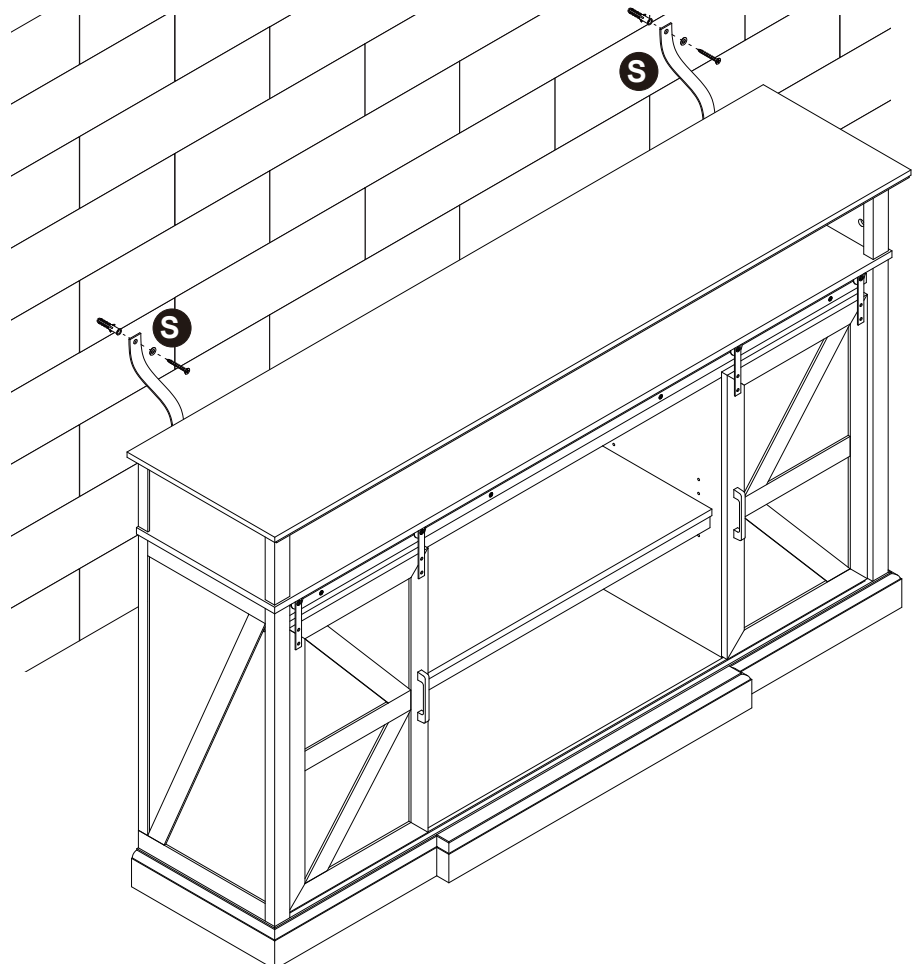
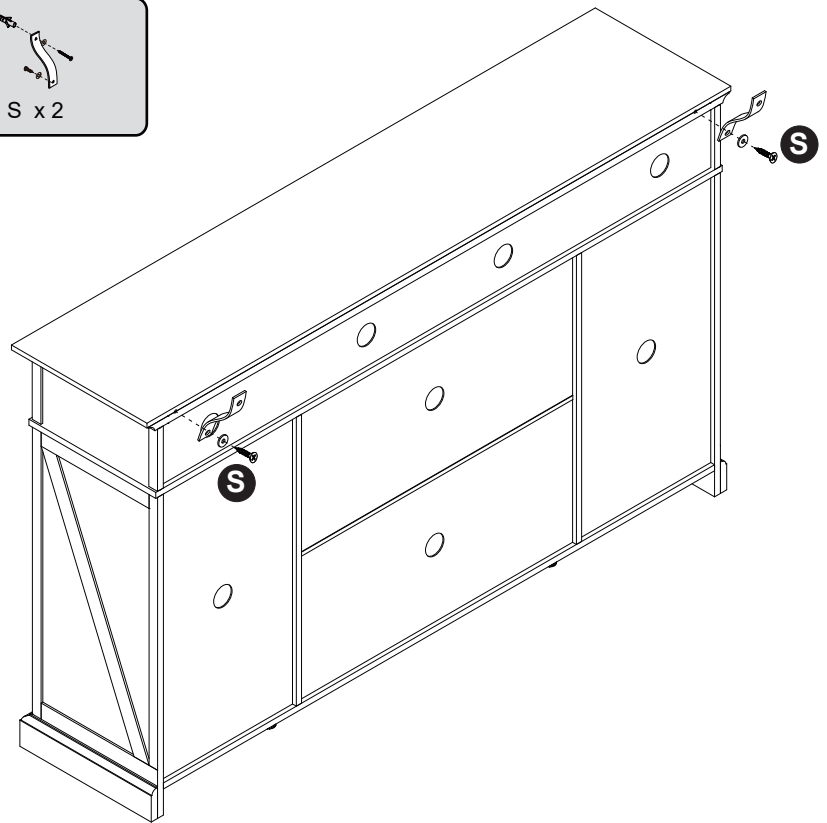
Warning:
Before drilling, check wall for hidden pipes and cables.

3. Drill holes and insert 2 x wall plug

4. Attach 2 x Wall Straps to the top of the unit using 2 x Washers and 2 x Screws

5. Secure the straps to the wall using 2 x Washers and 2 x Screws

Note: To hide the straps behind the unit, drill the holes lower than the top of the unit



Assembly is complete.

A Guide to Wall Mounting & Fixings

Important note:

If plastic wall plugs (rawl plugs) are supplied with your product, e.g.:



- these are only suitable for use in masonry walls.

If you are in any doubt about the correct wall plugs for your wall, seek professional advice.


Failure of the product due to using the incorrect fixings is the responsibility of the installer.



Important: when drilling into walls always check that there are no hidden wires or pipes etc.

Make sure that the screws and wall plugs being used are suitable for **supporting your unit**. **Consult a qualified tradesperson if you are unsure.**

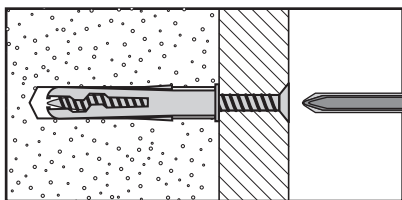
Hints:

- 1: General rule:  always use a larger screw and wall plug if you are not sure.
- 2: Ensure you use the recommended drill bit to match the wall plug and hole size.
- 3: Ensure you drill the hole horizontally; do not force the drill or enlarge the hole.
- 4: Take extra care when drilling high walls, ceilings and ceramic tiles. Ensure wall plugs are inserted beyond the thickness of the ceramic tiles to avoid the tiles splitting or cracking.
- 5: Ensure wall plugs are well fitted and are a tight fit in the drilled hole.

Types of walls

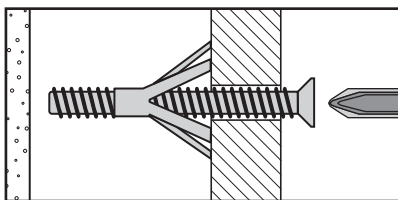
You can use one of the following types of wall plug if your walls are made of brick, breeze block, concrete, stone or wood.

No.1 "General Purpose" wall plug



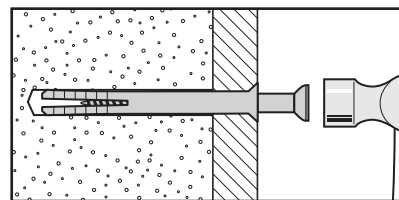
Generally aerated blocks should not be used to support heavy loads, use a specialist fitting in this case. For light loads, general purpose wall plugs can be used.

No.3 "Cavity Fixing" wall plug



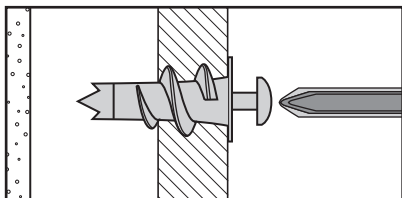
For use with plasterboard partitions or hollow wooden doors.

No.5 "Hammer Fixing" wall plug



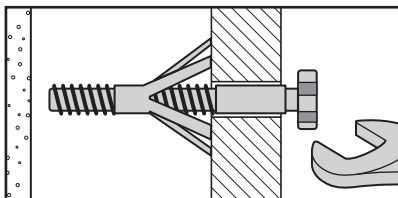
For use with walls stuck with plasterboard. The hammer fixing allows it to be fixed to the wall rather than the plasterboard. Always check the fixing is secure to the retaining wall.

No.2 "Plasterboard" wall plug



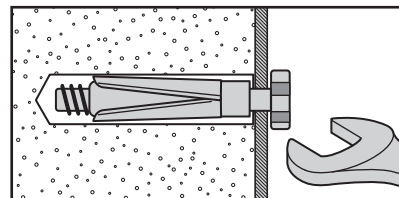
For use when attaching light loads onto plasterboard partitions.

No.4 "Cavity Fixing - Heavy Duty" wall plug



For use when fitting or supporting heavy loads such as shelving, wall cabinets and coat racks.

No.6 "Shield Anchor" wall plug - heavy loads



For use with heavier loads such as TV and HiFi speakers and satellite dishes etc.



Care & Maintenance

Safety: always check the fitting and location to ensure your safety in and around the home.

Fitting: from time to time check the fitting to ensure the wall plugs or screws do not become loose.