

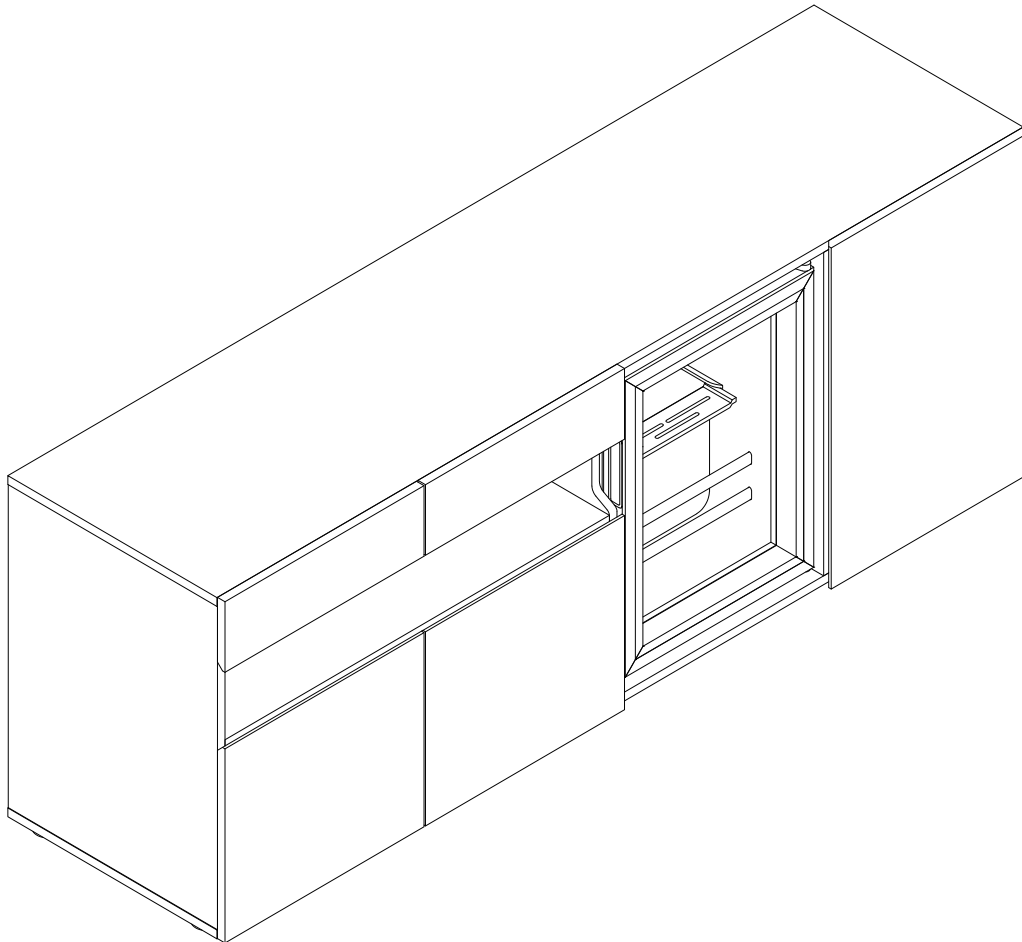
TV Stand

Assembly Instructions - Please keep for future reference



NOTE:

Comes with TWO PACKAGES with TWO TRACKINGS, may NOT be delivered at the same time.



Dimensions

Width - 63 inch
Depth - 17 inch
Height - 23.6inch

Any question please feel free to contact us:
support@amer-life.com TEL:(901) 347-2181
We will provide further assistance within 24 hours.

Important – Please read these instructions fully before starting assembly

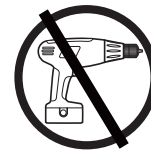


Safety and Care Advice

Important – Please read these instructions fully before starting assembly

- Check you have all the components and tools listed on the following pages.
- Remove all fittings from the plastic bags and separate them into their groups.
- Keep children and animals away from the work area, small parts could choke if swallowed.
- Make sure you have enough space to layout the parts before starting.

- During assembly do not stand or put weight on the product, this could cause damage.
- Assemble the item as close to its final position (in the same room) as possible.
- Assemble on a soft level surface to avoid damaging the unit or your floor.
- Parts of the assembly will be easier with 2 people.



power drill is set on a low torque setting.

- To reduce the likelihood of damaging your product please ensure that your

Care and maintenance

- Only clean using a damp cloth and mild detergent, do not use bleach or abrasive cleaners.
- From time to time check that there are no loose screws on this unit.
- This product should not be discarded with household waste. Take to your local authority waste disposal centre.

Handy Hints

- Assemble all parts and bolts loosely during assembly, only once the product is complete should you fully tighten the bolts
- Regularly check and ensure that all bolts and fittings are tightend properly.

WARNING

In order to help prevent overturning – please follow these instructions

To help prevent product toppling over please follow the steps below:



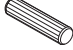




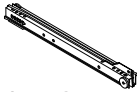


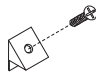
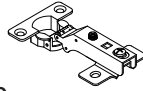

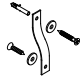
- Must use the anti tip strap or wall fixing method provided (whichever applies).
- Do not allow children to climb or hang on the furniture.
- Do not place heavy items on top of the furniture, unless the furniture has been designed for this purpose
- Installation shall be carried out exactly according to the instructions - otherwise a safety risk can occur
- In order to prevent falling down this product must be used with the wall attachment device provided.

Please note that only the wall attachment device is provided. You will need to supply wall plugs and screws applicable for your wall type.

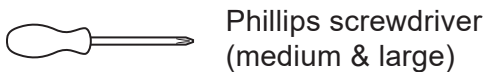
Components - Fittings

Please check you have all the fittings listed below

Note: The quantities below are the correct amount to complete the assembly. In some cases more fittings may be supplied than are required.

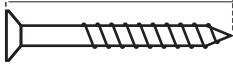
A  7*43mm Cam Bolt x 28	B  Cam Lock x 28	C  8*30mm Dowel x 36
D  3.5*14mm Screw x 48	E  5*40mm Screw x 14	F  5*20mm Screw x 8
G  Leg x 8	H  Drawer Slide x 2	I  LED Mounting Bracket x 3
J  LED lights kit x 1	K  Back Panel Stiffener x 10	L  Hinge x 6
M  Shelf Support Pin x 4	N  Wall Fixing Pack x 2	

Tools required



Ruler - Use this ruler to help correctly identify the screws

0 5 10 15 20 25 30 35 40 45 50 55 60 65 70 75 80 85 90 95 100 105 110 115 120 125 130 135 140 145 150 155 160 165 170



The screws length is measured from the head to the point (30mm screw shown).

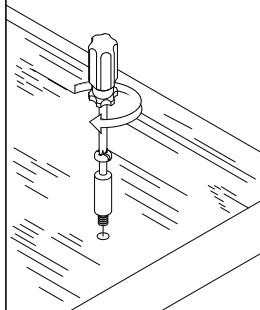
Using Camlocks

Step 1

Connect the male camlock as directed in the assembly instructions using a screwdriver.

1

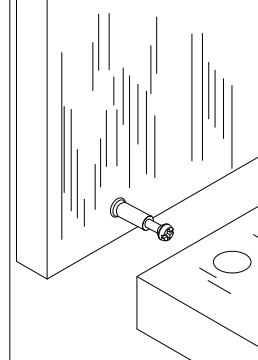
DO NOT OVER TIGHTEN.
NE PAS SERRER EXCESSIVEMENT.



Step 2

Push the male camlock into the entry hole.

2

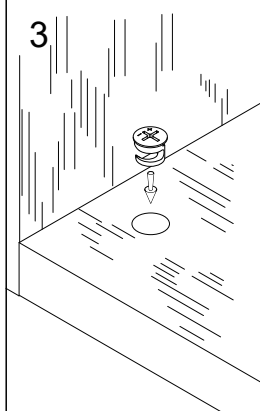


Step 3

Insert the female camlock as shown in the instructions.

Note: ensure that the arrow on the top of the camlock points towards the entry hole for the male camlock.

3



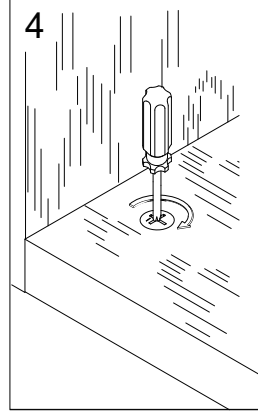
Step 4

Turn the female camlock clockwise with a screwdriver.

You should feel a click when the camlock is locked in place.

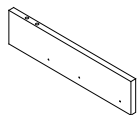
The joint is now secure.

4

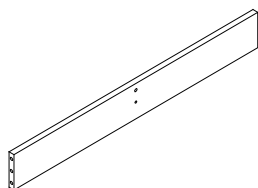


Components - Panels

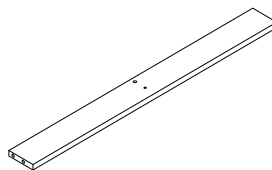
Please check you have all the panels listed below



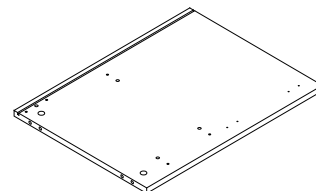
1 (38.2 x 9 x 1.5cm) x1



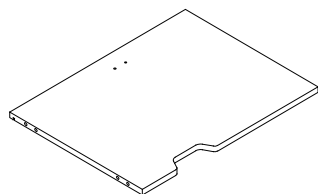
2 (76.3 x 10.5 x 1.5cm) x1



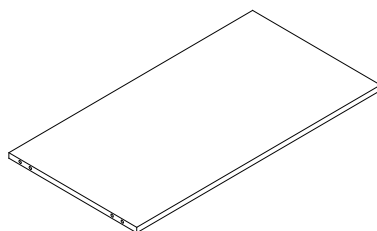
3 (76.3 x 7.5 x 1.5cm) x1



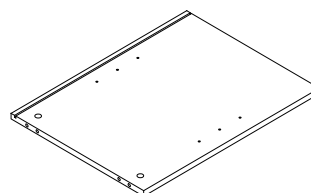
4 (55 x 41.5 x 1.5cm) x1



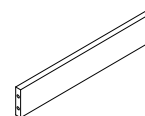
5 (55 x 41.5 x 1.5cm) x1



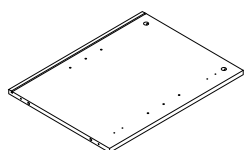
6 (76.3 x 40 x 1.5cm) x1



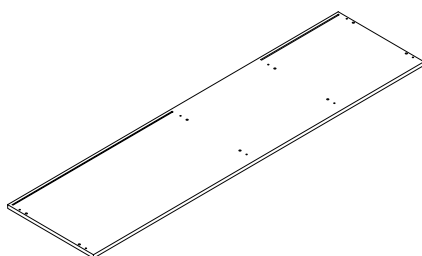
7 (55 x 41.5 x 1.5cm) x1



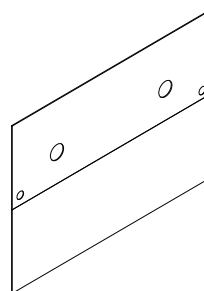
8 (41 x 7.5 x 1.5cm) x1



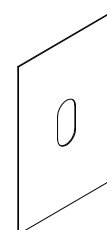
9 (55 x 41.5 x 1.5cm) x1



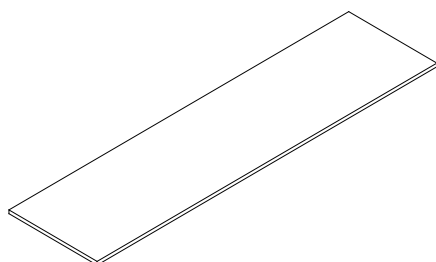
10 (160 x 41.5 x 1.5cm) x1



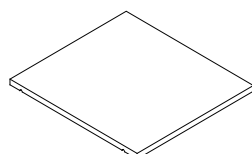
11 (77.2 x 56 x 0.25cm) x1



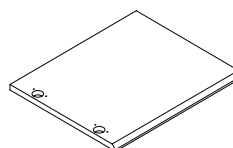
12 (56 x 37.5 x 0.25cm) x1



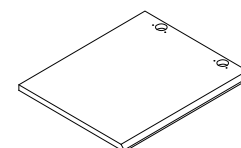
13 (160 x 41.5 x 1.5cm) x1



14 (36.4 x 39.8 x 1.5cm) x1



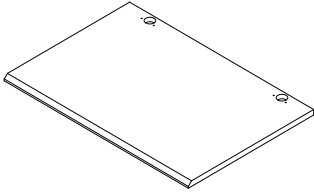
15 (39.5 x 33 x 1.5cm) x1



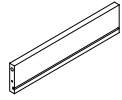
16 (39.5 x 33 x 1.5cm) x1

Components - Panels

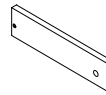
Please check you have all the panels listed below



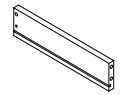
17 (39.5 x 58 x 1.5cm) x1



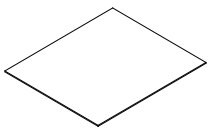
18 (32 x 7.5 x 1.5cm) x2



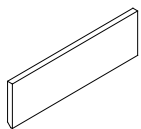
19 (30 x 7.5 x 1.5cm) x2



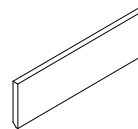
20 (30 x 7.5 x 1.5cm) x2



21 (32.9 x 29.3 x 0.25cm) x2

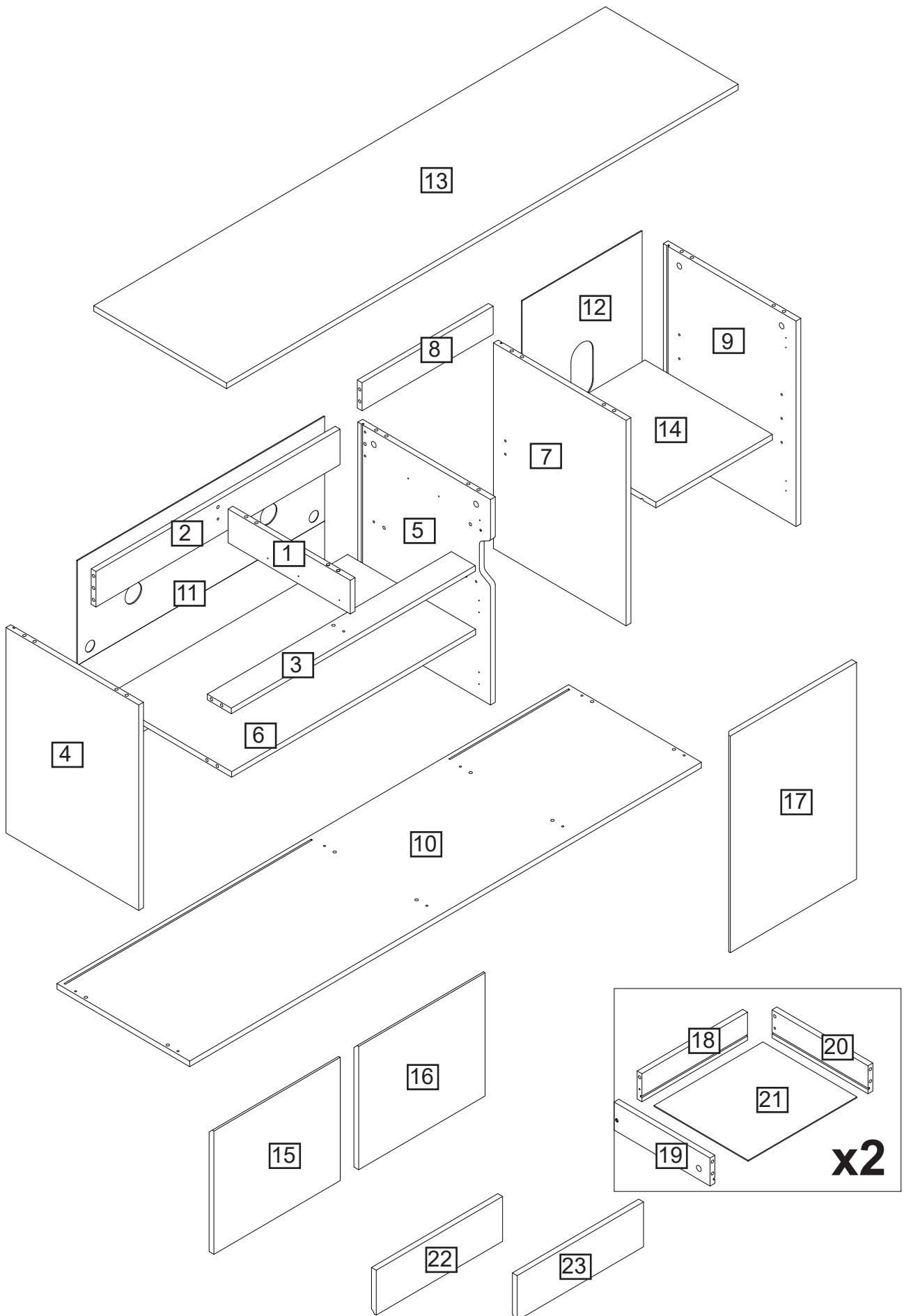


22 (39.5 x 12 x 1.5cm) x1



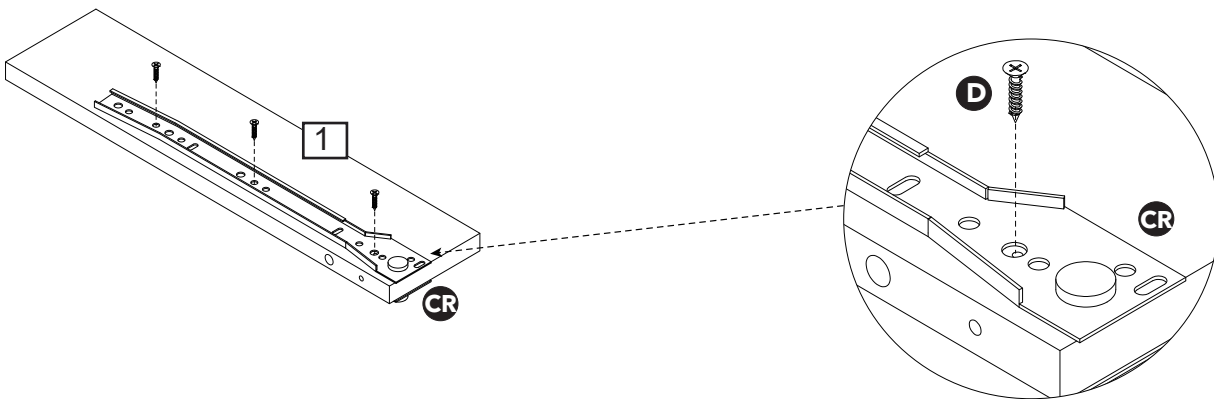
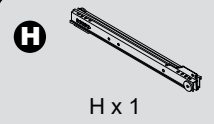
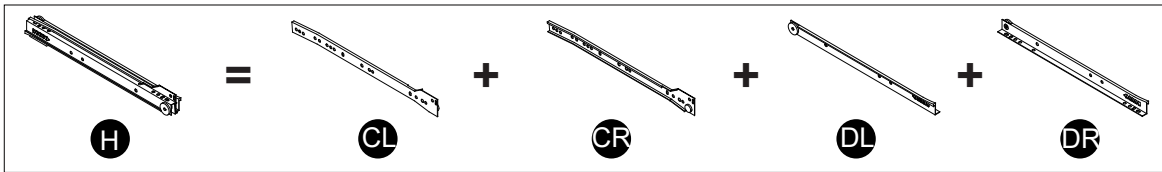
23 (39.5 x 12 x 1.5cm) x1

Assembly Instructions

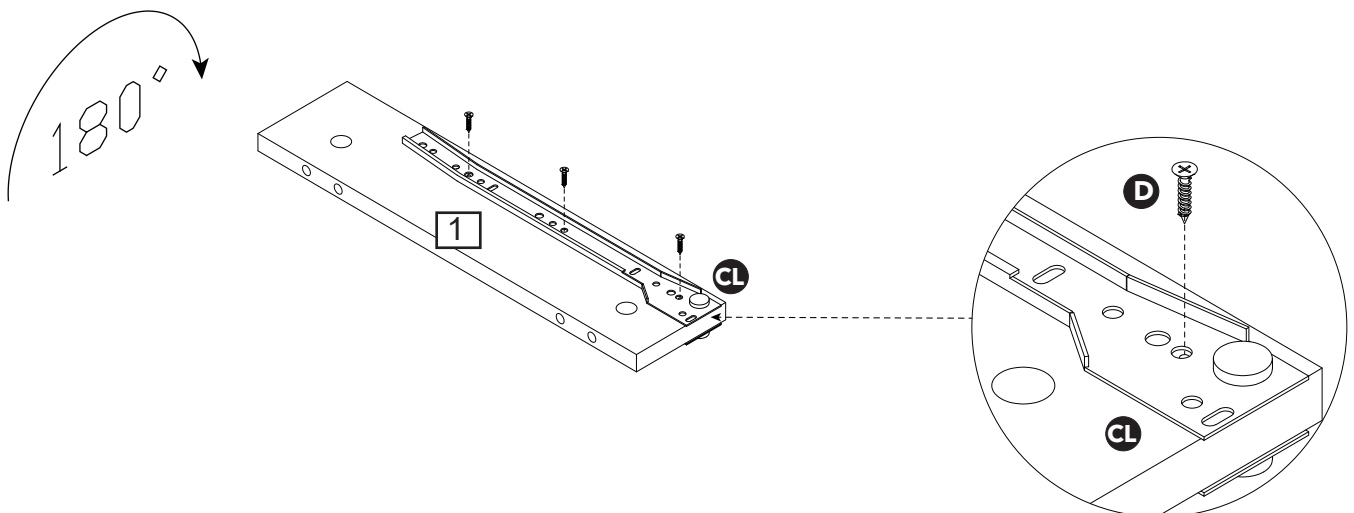


Assembly Instructions

Step 1



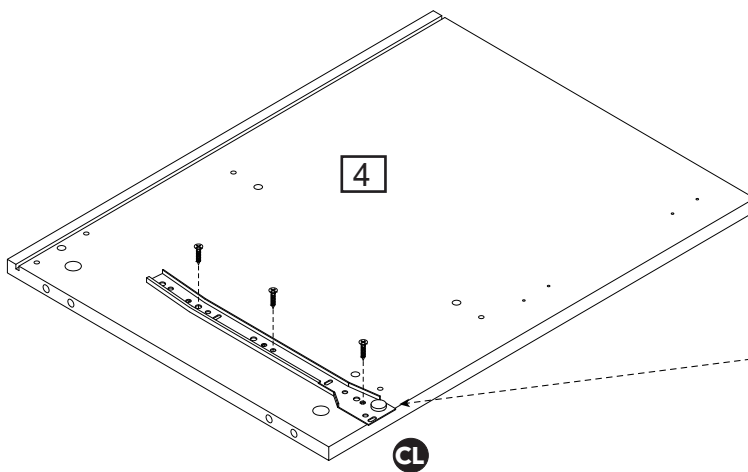
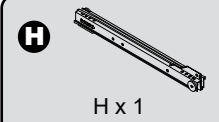
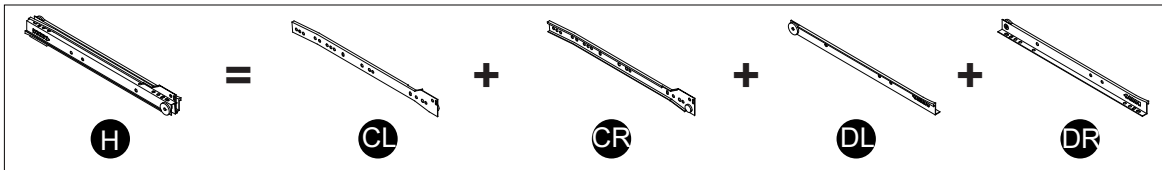
Use screw (D) to secure slide track (CR) to part (1) with a screwdriver.



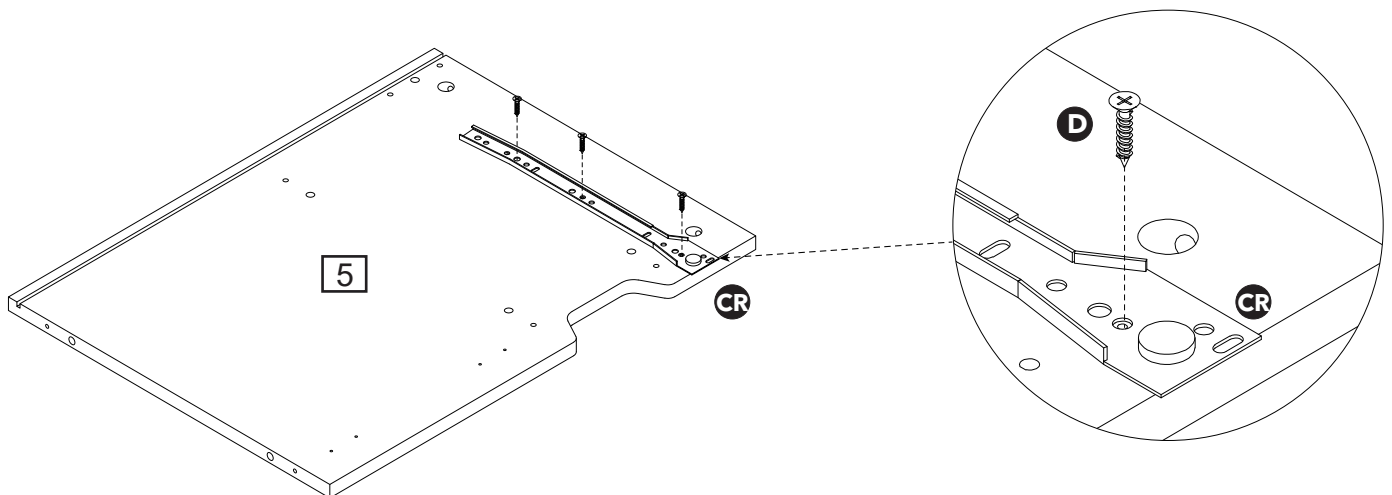
Use screw (D) to secure slide track (CL) to part (1) with a screwdriver.

Assembly Instructions

Step 2



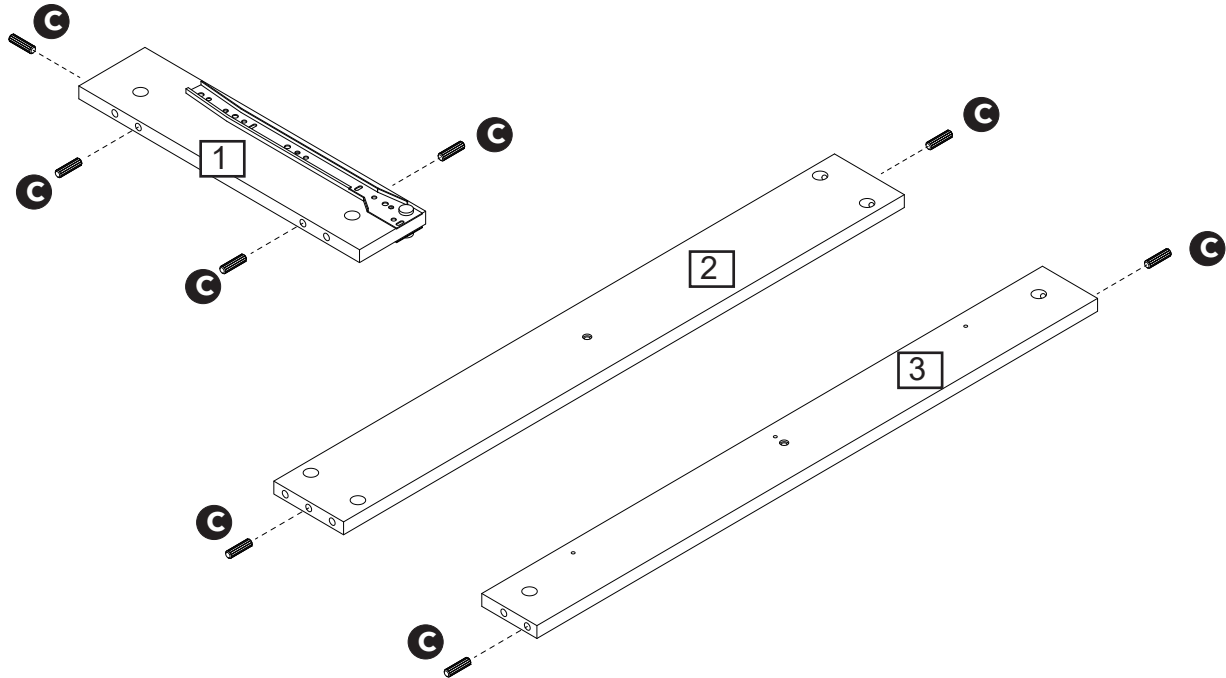
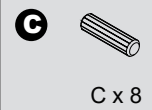
Use screw (D) to secure slide track (CL) to part (4) with a screwdriver.



Use screw (D) to secure slide track (CR) to part (5) with a screwdriver.

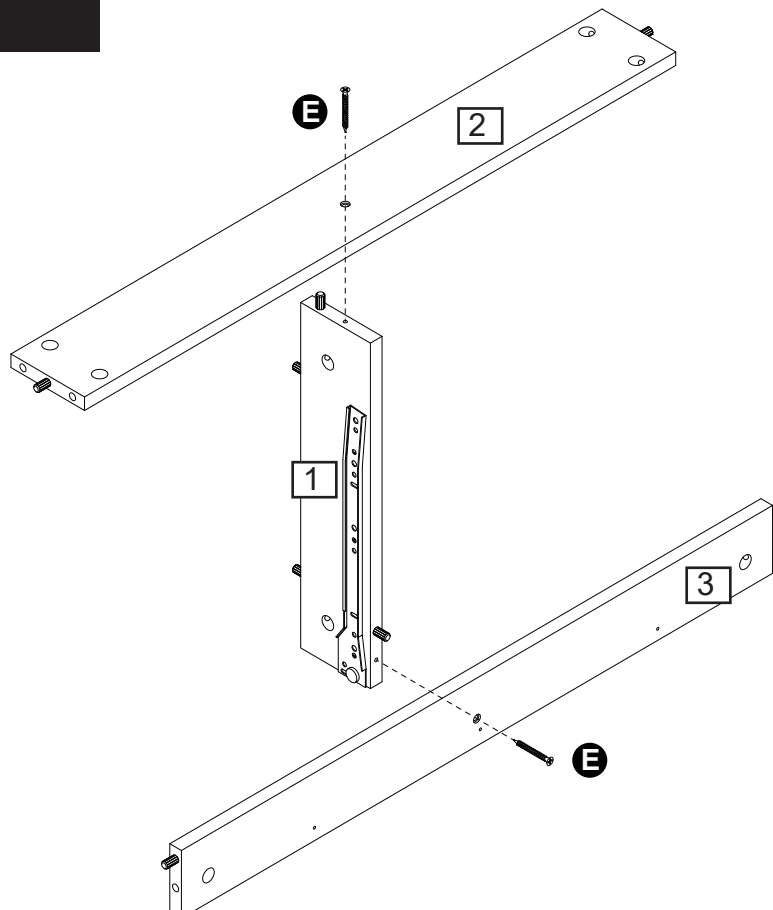
Assembly Instructions

Step 3



Insert wooden dowel (C) into part (1, 2, 3).

Step 4



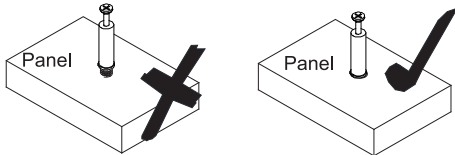
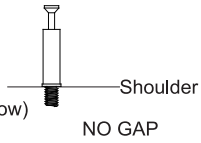
Attach part (2, 3) to part (1) using screw (E) with a screwdriver.

Assembly Instructions

Step 5

CAM-LOCK

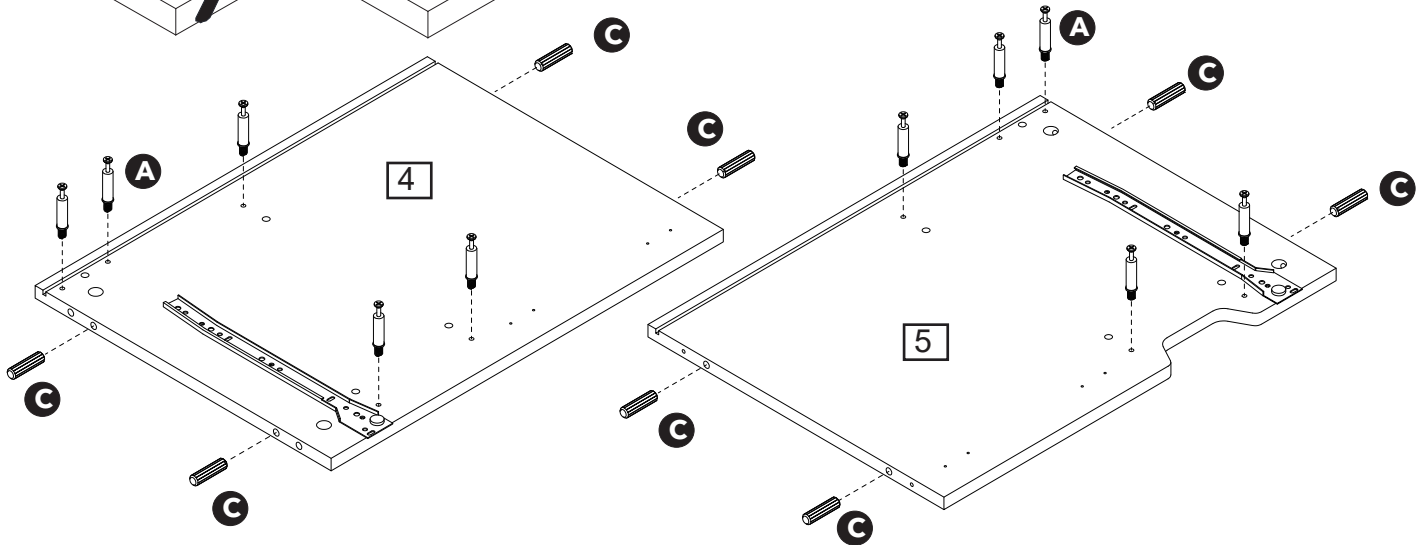
Tighten until shoulder is flush with panel. Do not overtighten or undertighten (see example below)



A x 10



C x 8

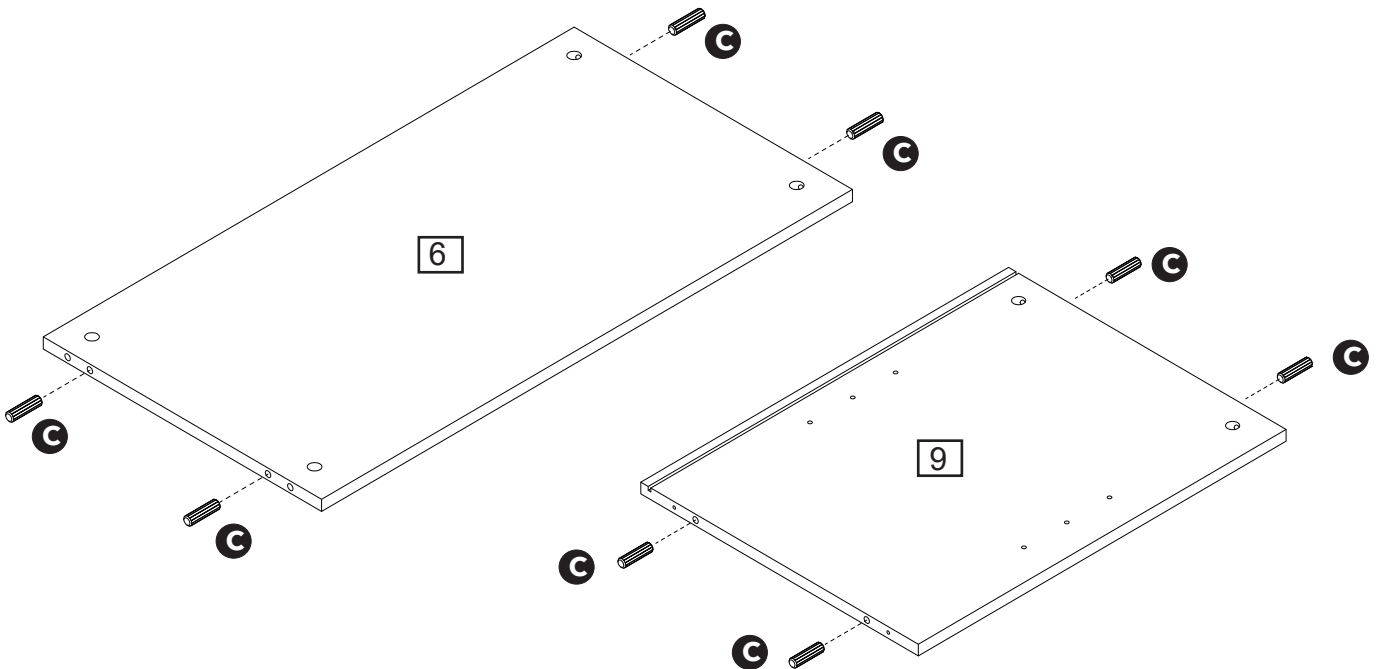


Insert wooden dowel (C) into part (4, 5).
Attach cam bolt (A) to part (4, 5) with a screwdriver.

Step 6



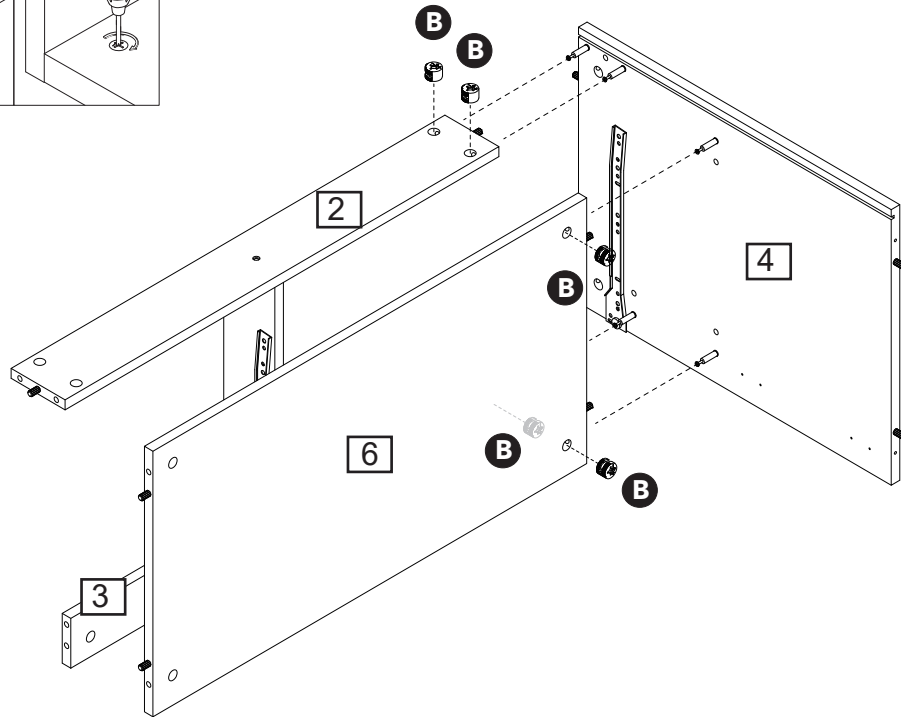
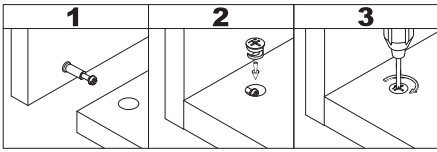
C x 8



Insert wooden dowel (C) into part (6, 9).

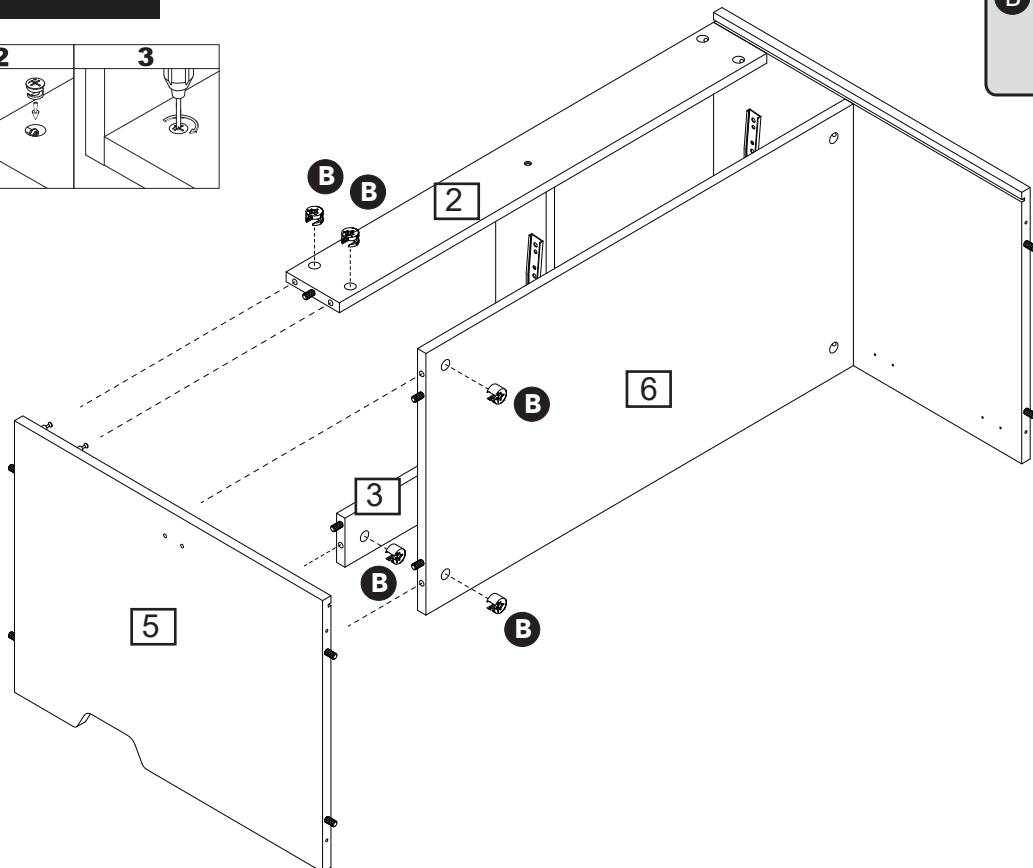
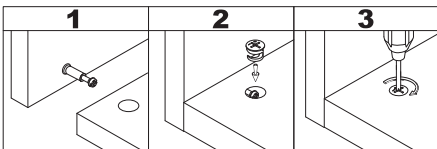
Assembly Instructions

Step 7



Attach part (2, 3, 6) to part (4), then insert and secure cam lock (B) to part (2, 3, 6) to lock it.

Step 8



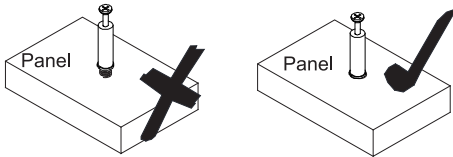
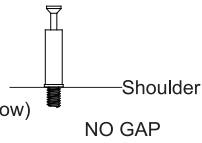
Attach part (5) to part (2, 3, 6), then insert and secure cam lock (B) to part (2, 3, 6) to lock it.

Assembly Instructions

Step 9

CAM-LOCK

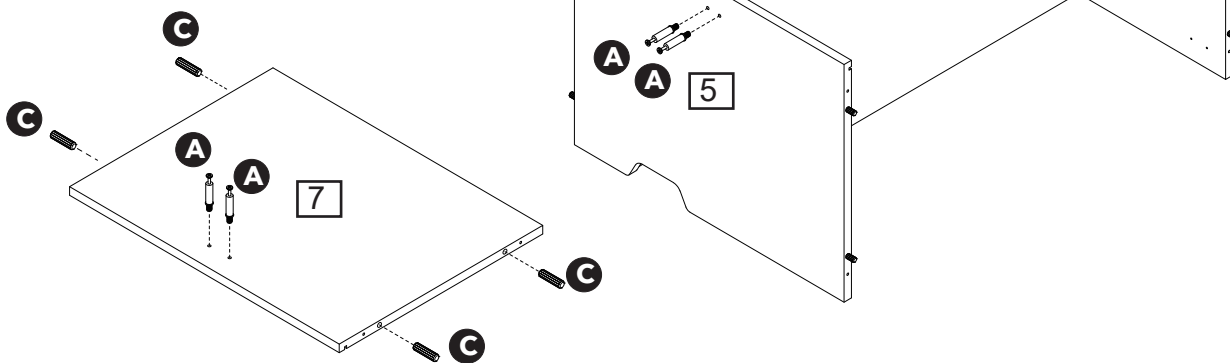
Tighten until shoulder is flush with panel. Do not overtighten or undertighten (see example below)



A x 4

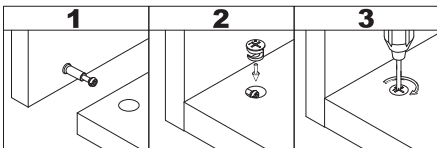


C x 4

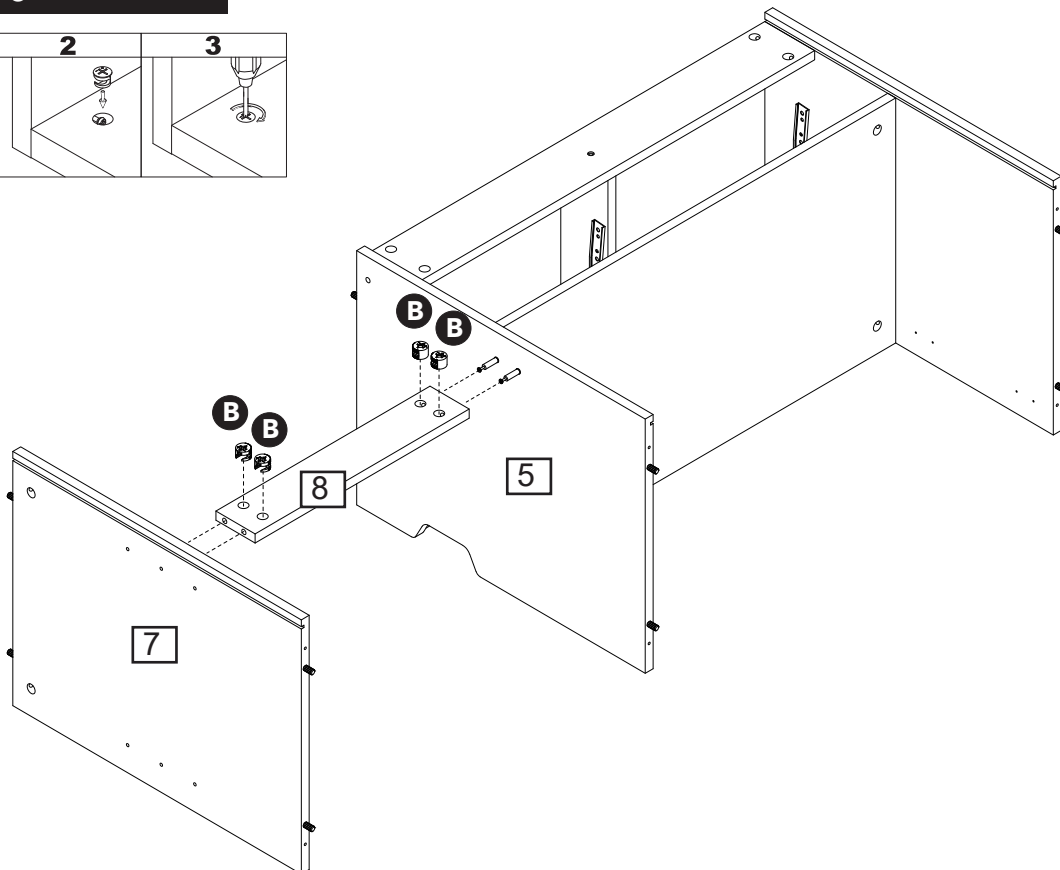


Insert wooden dowel (C) into part (7).
Attach cam bolt (A) to part (5, 7) with a screwdriver.

Step 10



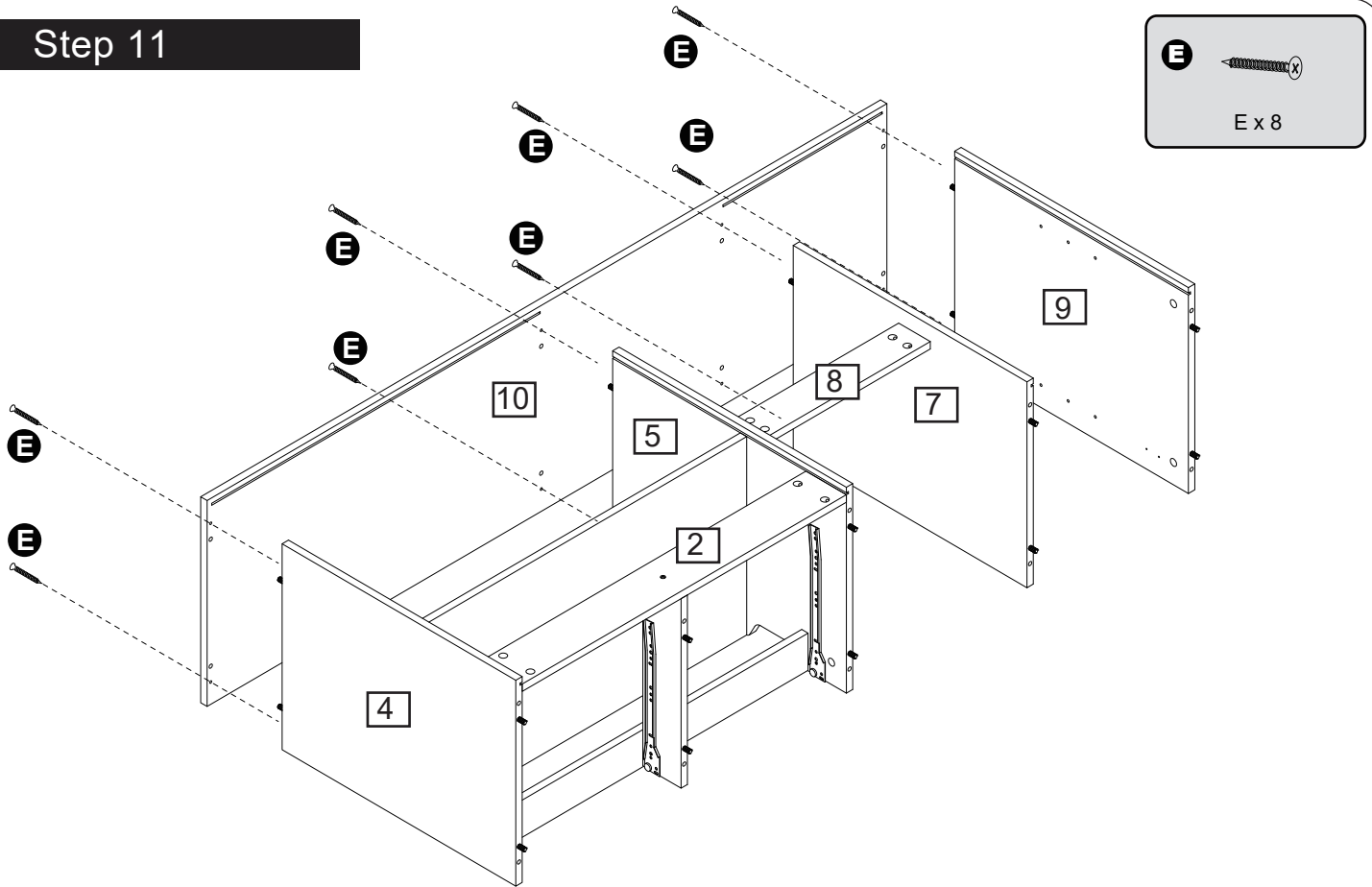
B x 4



Attach part (5, 7) to part (8), then insert and secure cam lock (B) to part (8) to lock it.

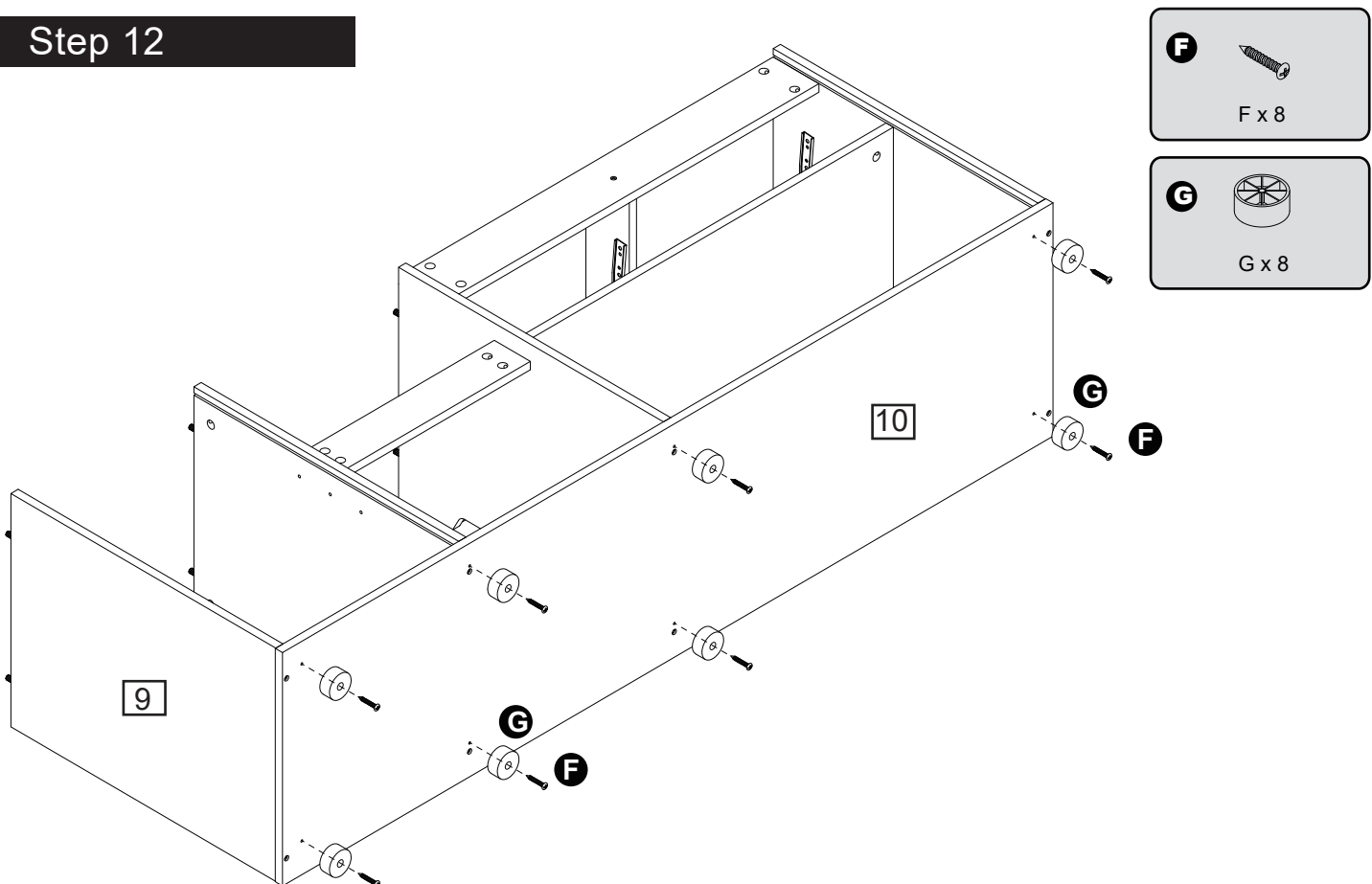
Assembly Instructions

Step 11



Attach part (10) to part (4, 5, 7, 9) using screw (E) with a screwdriver.

Step 12



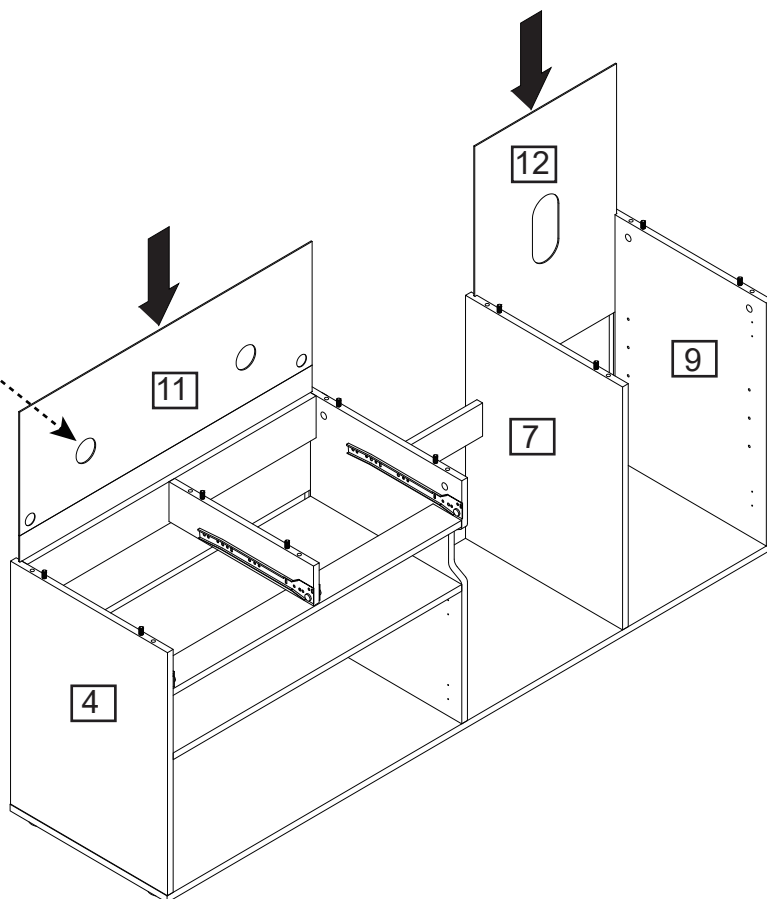
Attach leg (G) to part (10) using screw (F) with a screwdriver.

Assembly Instructions

Step 13



The cable outlet is at the upper side of the panel.

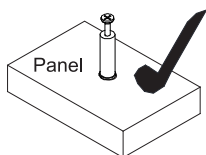
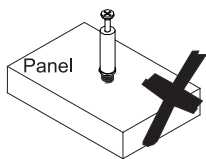
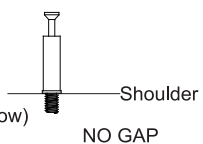


Slide back panel (11, 12) into grooves as per diagram.

Step 14

CAM-LOCK

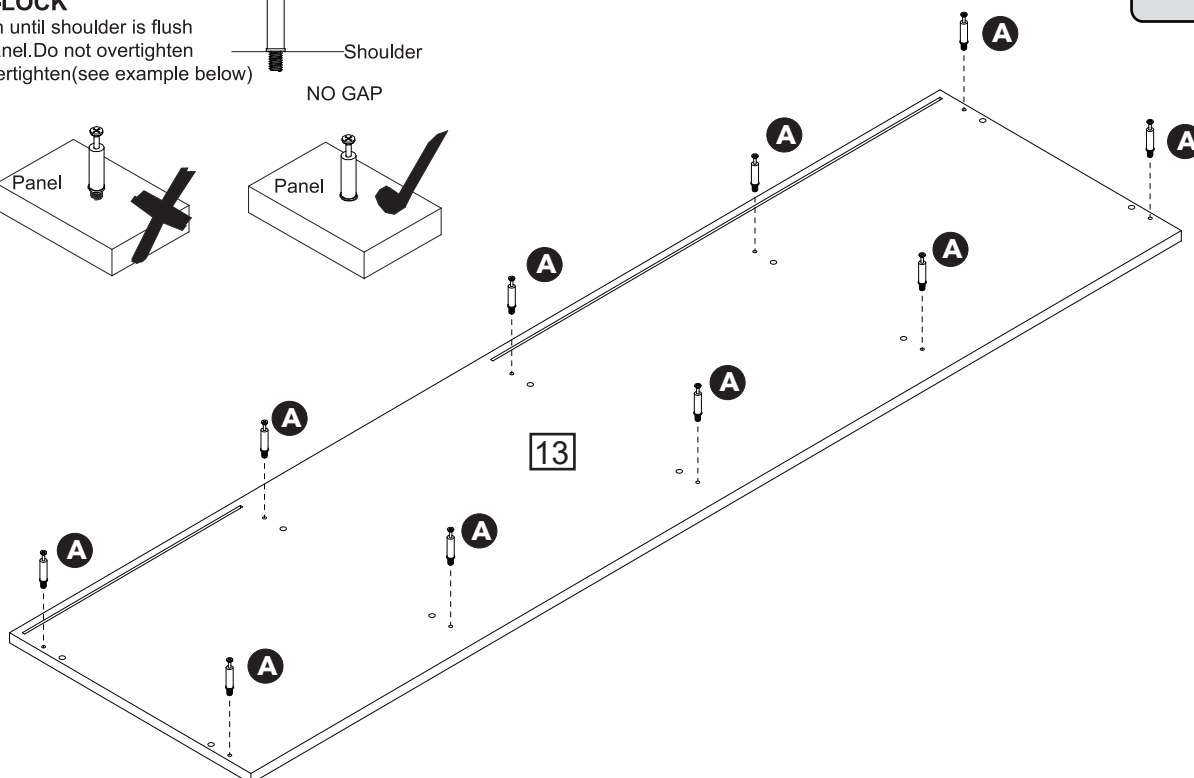
Tighten until shoulder is flush with panel. Do not overtighten or undertighten (see example below)



A



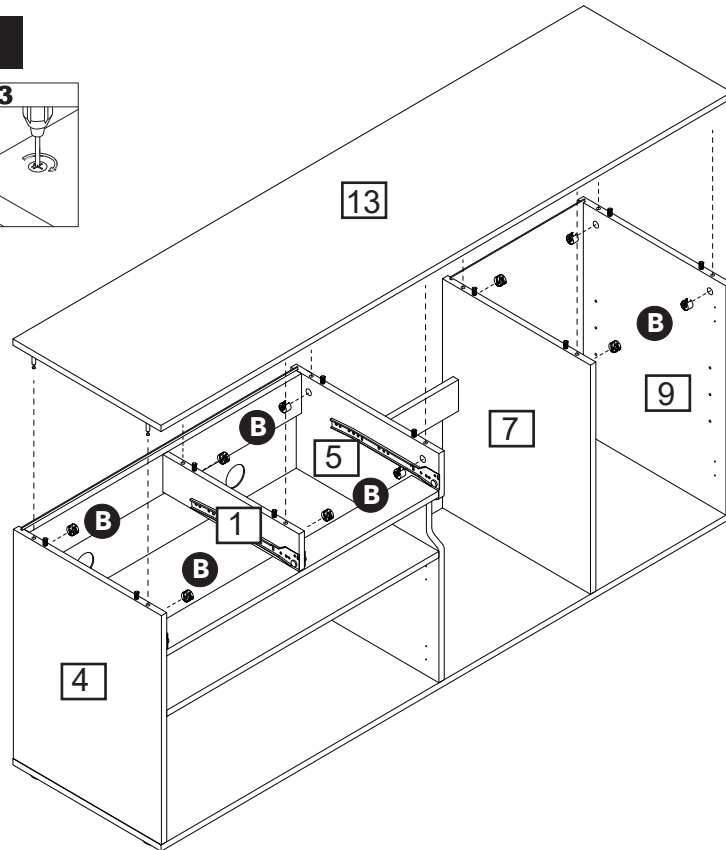
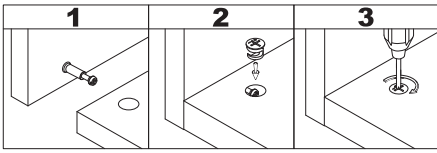
A x 10



Attach cam bolt (A) to part (13) with a screwdriver.

Assembly Instructions

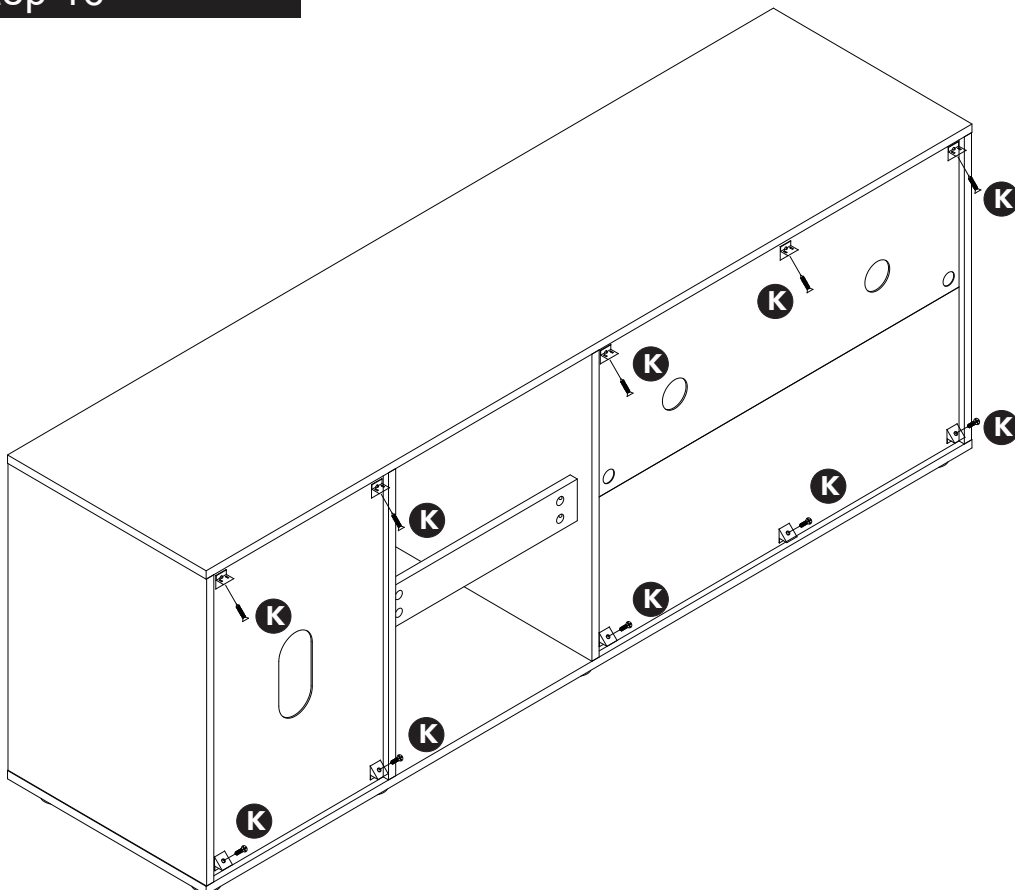
Step 15

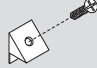


B 
B x 10

Attach part (13) to part (1, 4, 5, 7, 9), then insert and secure cam lock (B) to part (1, 4, 5, 7, 9) to lock it.

Step 16

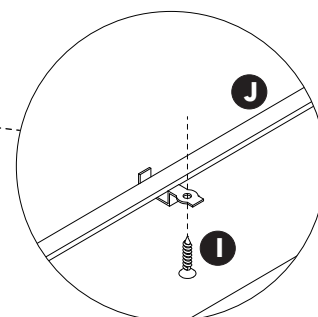
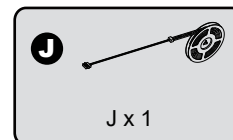
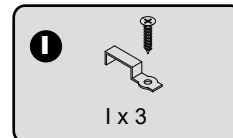
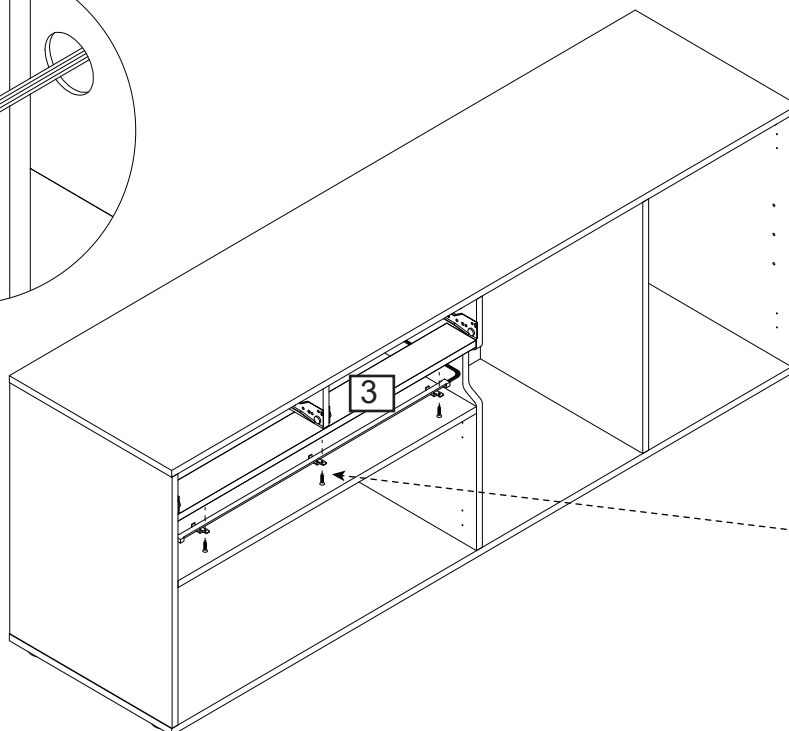
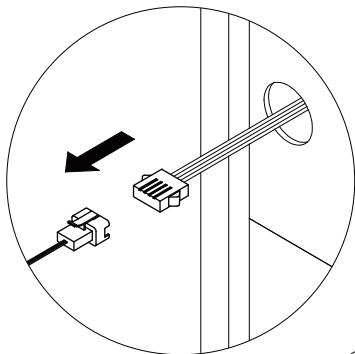


K 
K x 10

Attach plastic wedge (K) to back panel using screw (K) with a screwdriver.

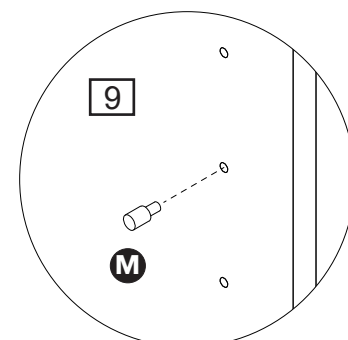
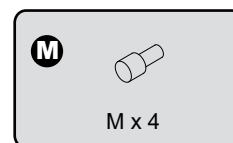
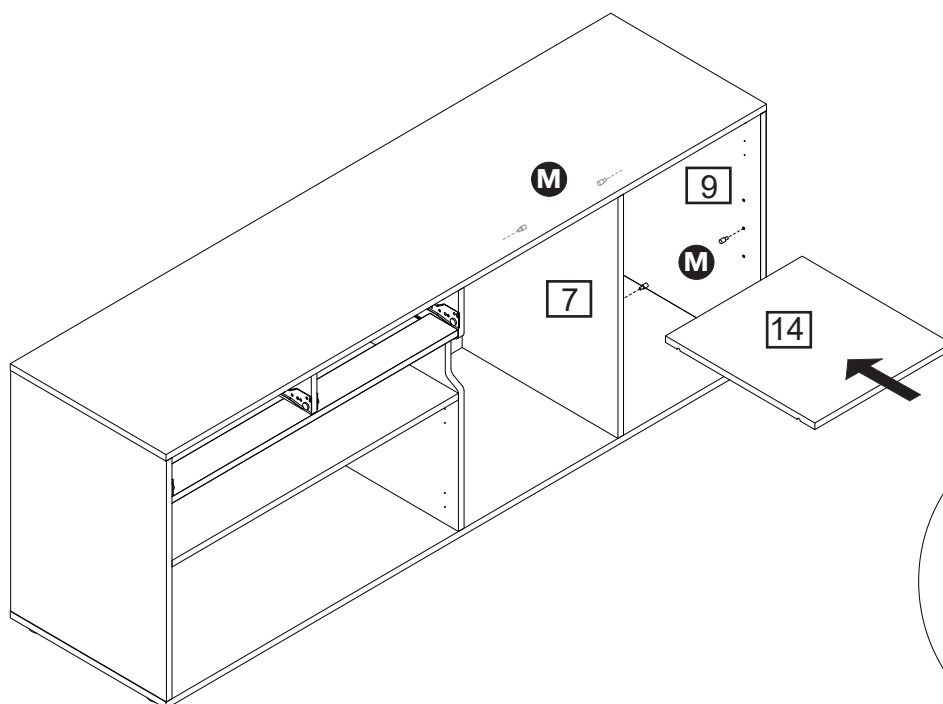
Assembly Instructions

Step 17



Attach LED strip light (J) to part (3) using LED mounting bracket (I).
Connect LED lights with the USB power cable, and get it through the cable hole.

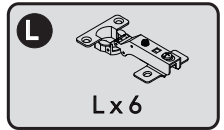
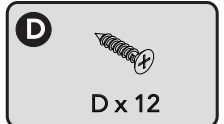
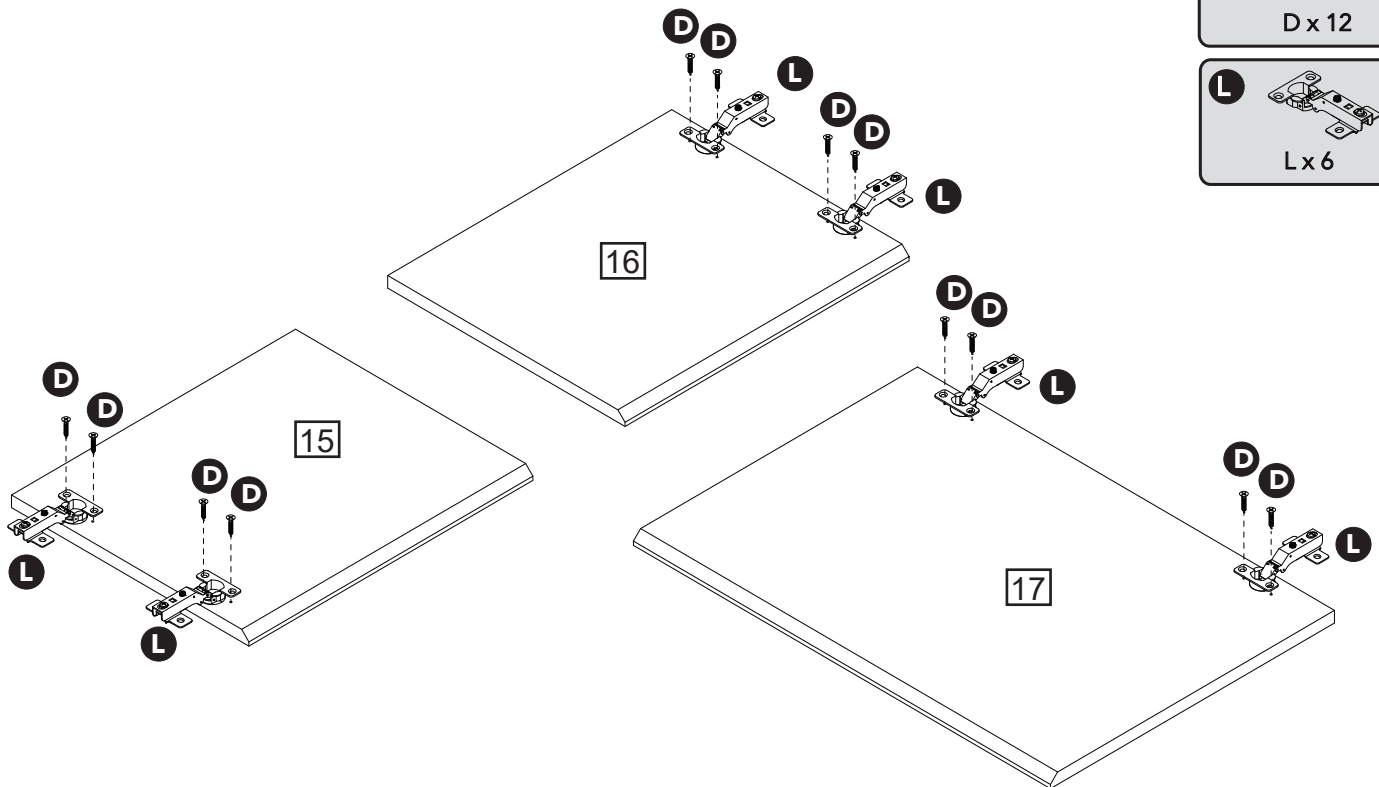
Step 18



Insert shelf support pin (M) into part (7, 9) and place adjustable shelves(14) on the top of support pin.

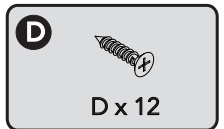
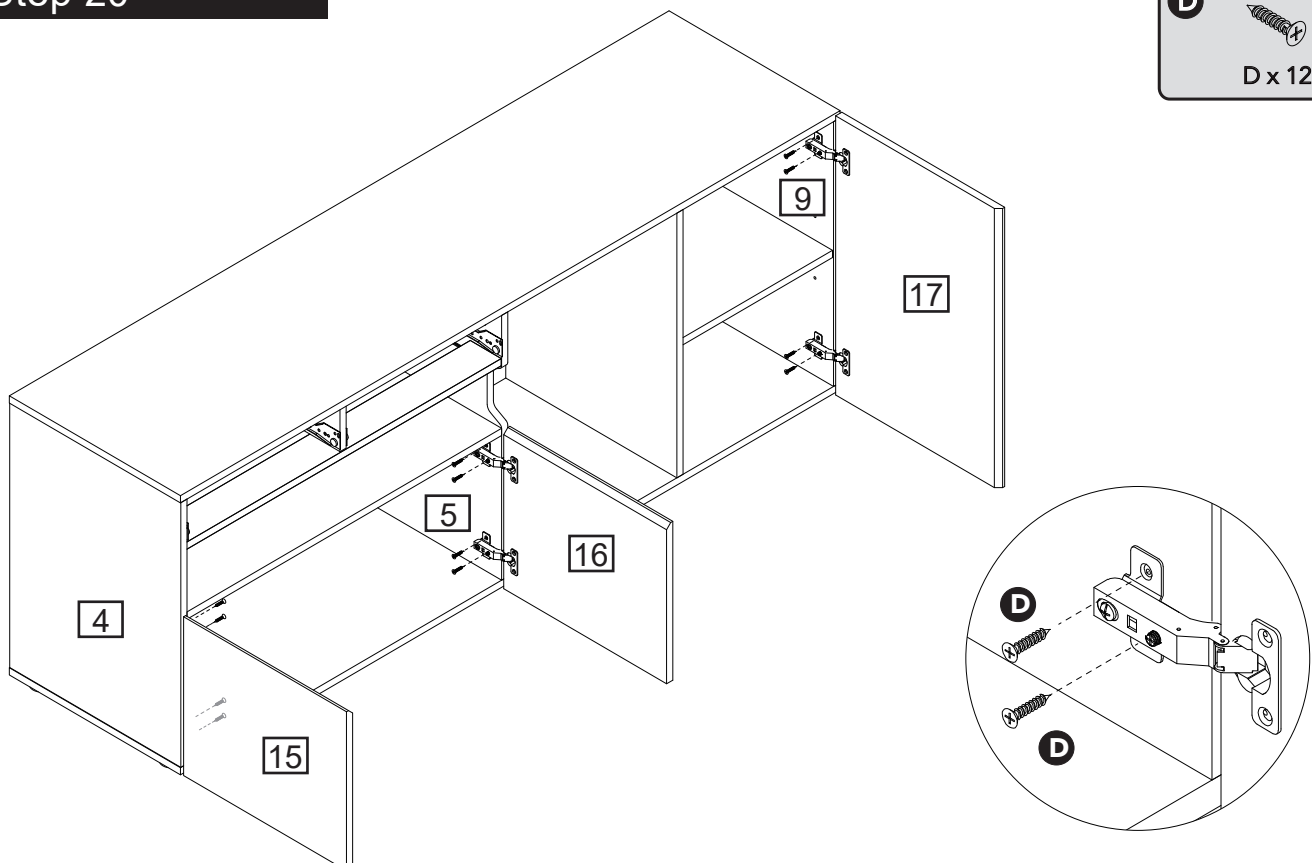
Assembly Instructions

Step 19

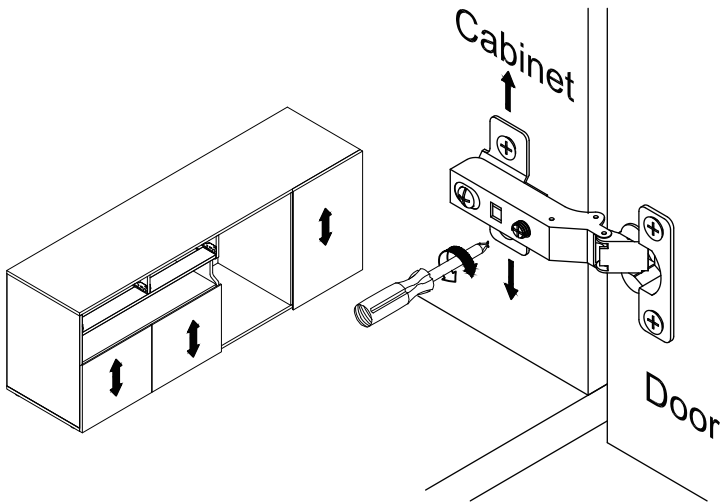
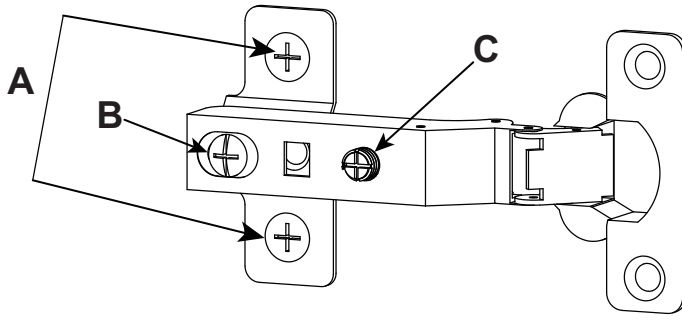


Attach hinge (L) to part (15, 16, 17) using screw (D) with a screwdriver.

Step 20

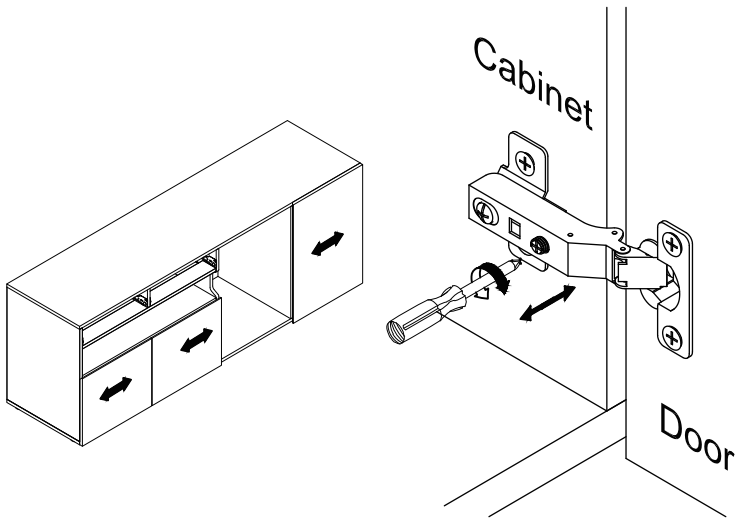


Attach hinge (L) to part (4, 5, 9) using screw (D) with a screwdriver.



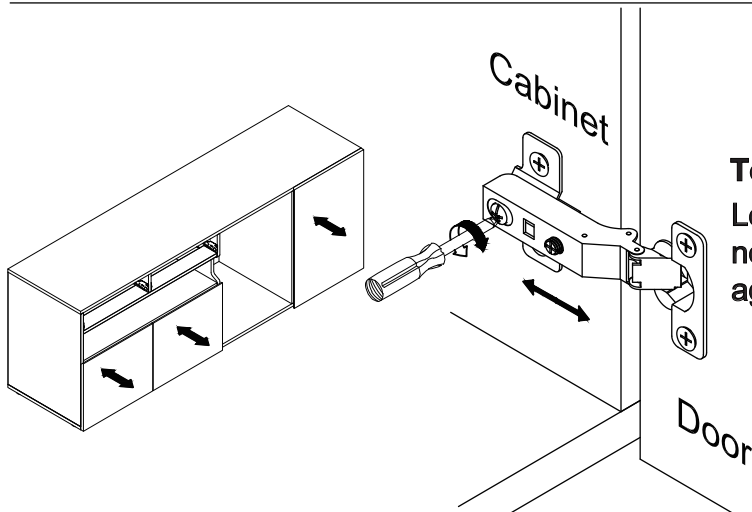
To adjust the vertical height.

Loosen the two screws "A" on both hinges. They are usually in slotted holes which allows you to adjust up or down by a few mm. Then tighten back up.



To adjust side ways.

Turning the screw "C" on BOTH hinges on each door.

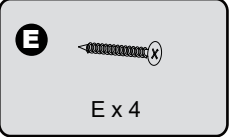
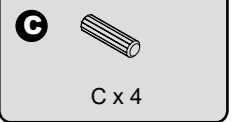
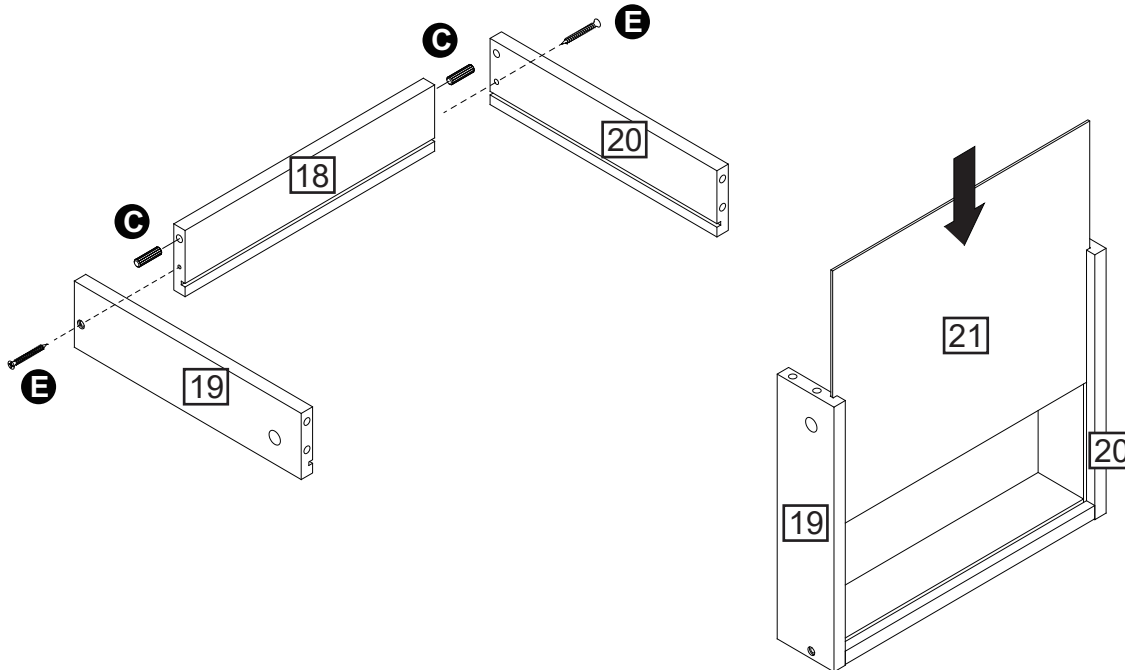


To adjust depth

Loosen screw "B" and adjust door,if the door can not be adjusted,please loosen screw "C" ,then try again.Tighten screw "B" and"C" .

Assembly Instructions

Step 21



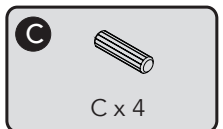
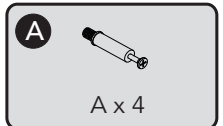
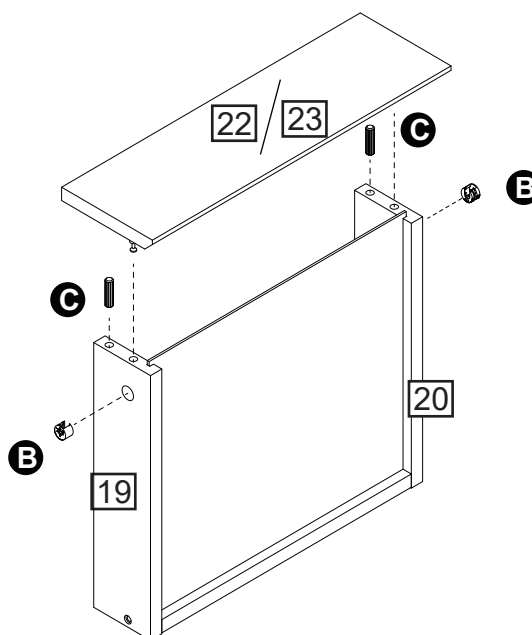
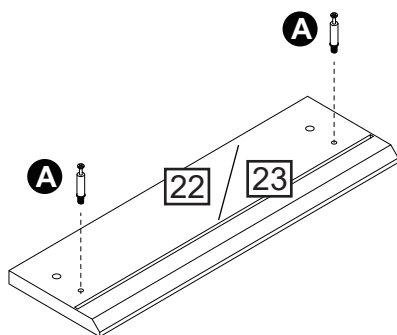
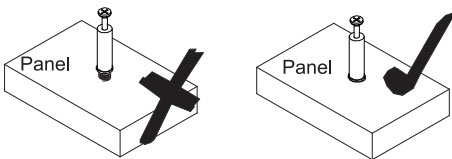
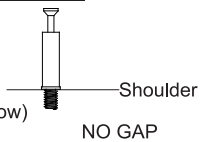
x2

Insert wooden dowel (C) into part (18) and attach part (19, 20) to part (18) using screw (E) with a screwdriver.
Slide part (21) into grooves as per diagram.

Step 22

CAM-LOCK

Tighten until shoulder is flush with panel. Do not overtighten or undertighten (see example below)

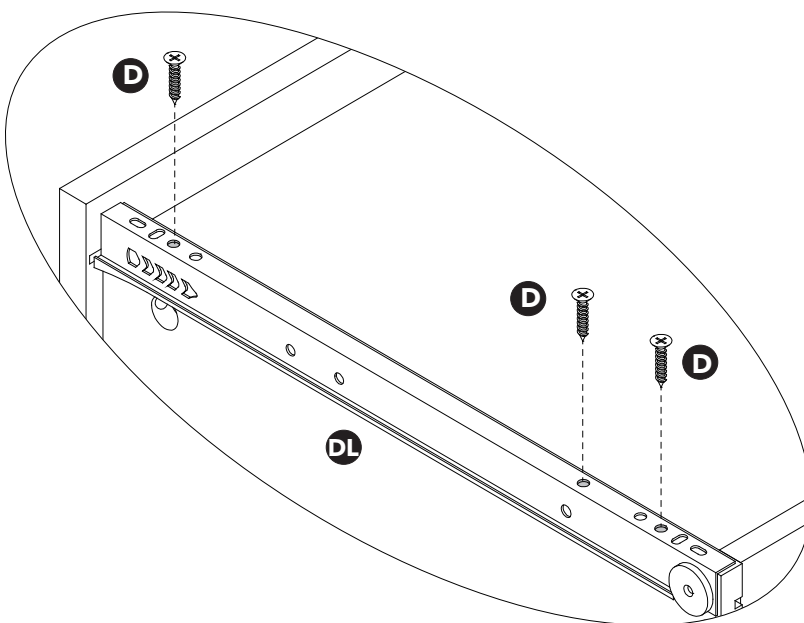
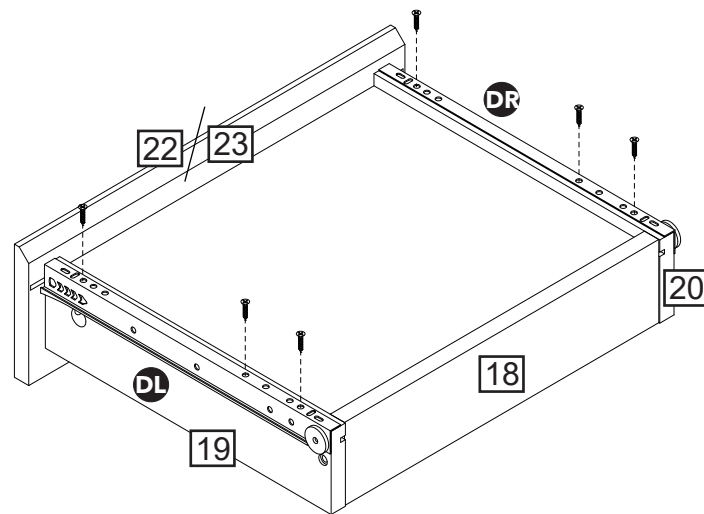
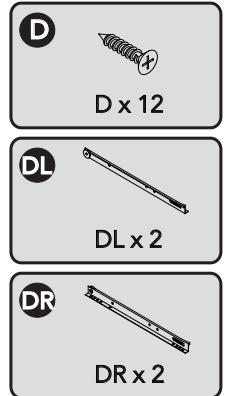


x2

Attach cam bolt (A) to part (22/23) with a screwdriver.
Insert wooden dowel (C) into part (19, 20).
Attach part (22/23) to part (19, 20), then insert and secure cam lock (B) to part (19, 20) to lock it.

Assembly Instructions

Step 23



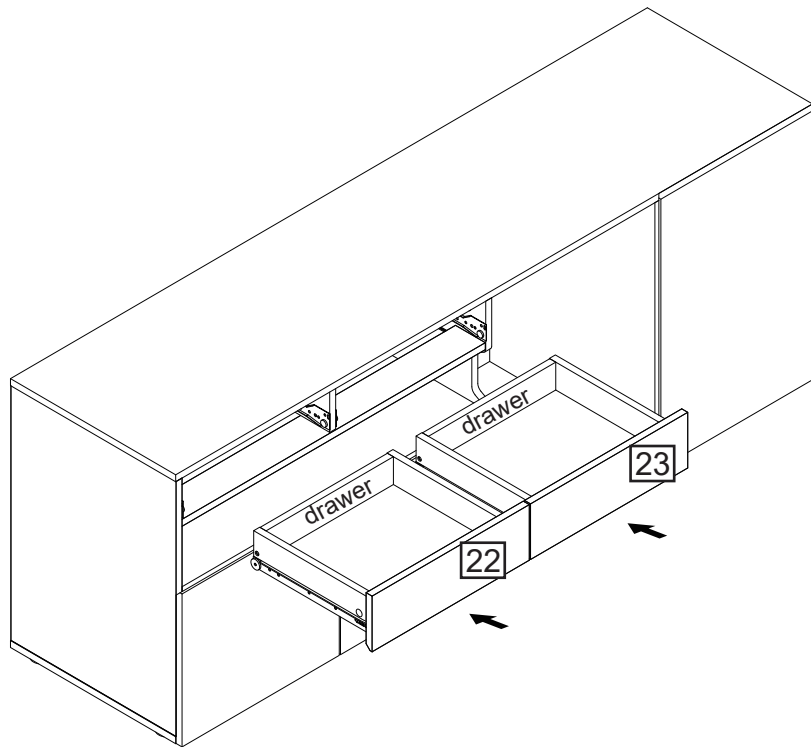
x2

Use screw (D) to secure slide runner (DL, DR) to part (19, 20) with a screwdriver.

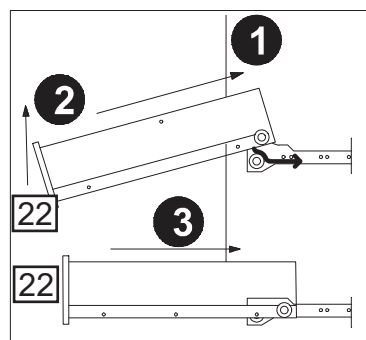
Assembly Instructions

Step 24

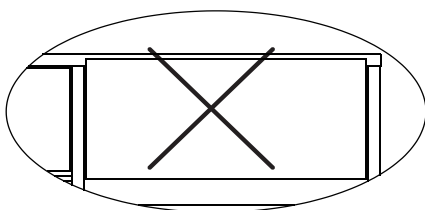
Congratulation! You've made to the last step! But don't be too thrilled yet, put on the drawer can be frustrating if you do it wrong. So, take your time and follow the steps below.



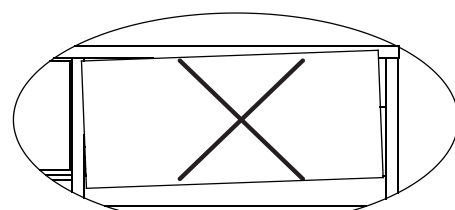
1. Please ensure that you have matched the wheels on **BOTH** sides of the drawer with the wheels on rails installed **BEFORE** push in the drawer.



2. If the following occurs, redo the first **two** step.



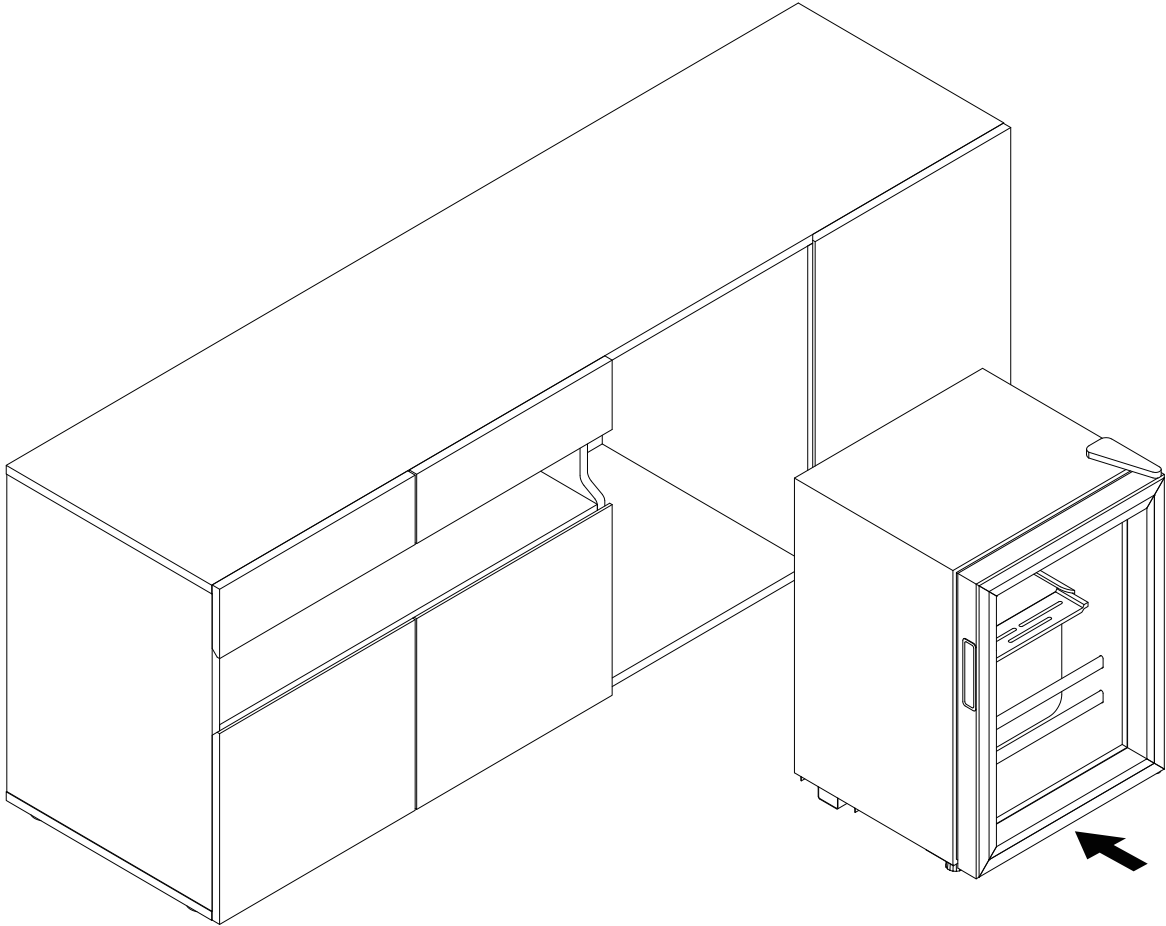
(both wheel are off the rails)



(one wheel is off the rail)

Assembly Instructions

Step 25

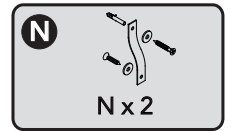


When operation for the first time

IMPORTANT: please place the freezer upright for 24 hours because the oil in the compressor needs time to settle to the bottom. If the machine is turned on right away, the oil can leak into the refrigeration system causing issue.

Assembly Instructions

Step 26



The unit is floor standing, but it is recommended that the unit is secured to the wall.

1. Move the unit into desired position.

2. Mark the wall with a suitable scribe the position of the fixing holes.



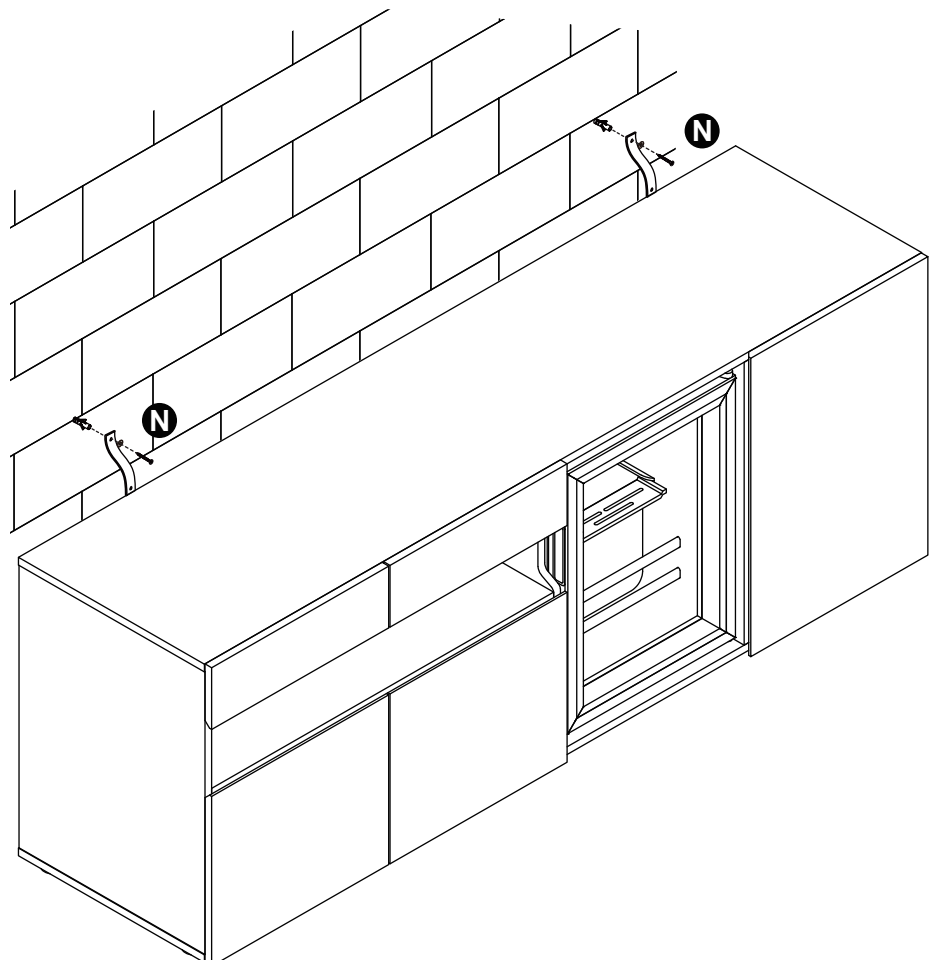
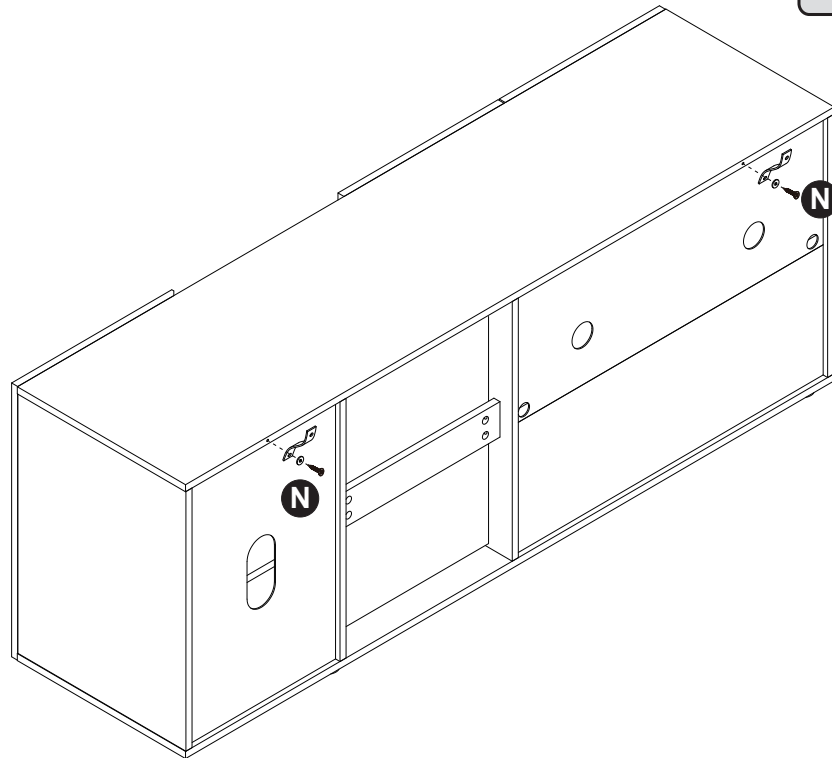
Warning:
Before drilling, check wall for hidden pipes and cables.

3. Drill holes and insert 2 x wall plug

4. Attach 2 x Wall Straps to the top of the unit using 2 x Washers and 2 x Screws

5. Secure the straps to the wall using 2 x Washers and 2 x Screws

Note: To hide the straps behind the unit, drill the holes lower than the top of the unit



Assembly is complete.

A Guide to Wall Mounting & Fixings

Important note:

If plastic wall plugs (rawl plugs) are supplied with your product, e.g.:



- these are only suitable for use in masonry walls.

If you are in any doubt about the correct wall plugs for your wall, seek professional advice.


Failure of the product due to using the incorrect fixings is the responsibility of the installer.



Important: when drilling into walls always check that there are no hidden wires or pipes etc.

Make sure that the screws and wall plugs being used are suitable for **supporting your unit**. **Consult a qualified tradesperson if you are unsure.**

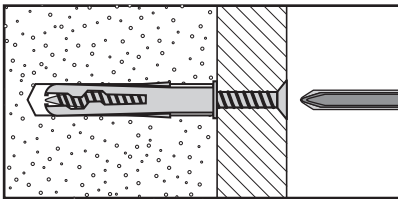
Hints:

- 1: General rule:  always use a larger screw and wall plug if you are not sure.
- 2: Ensure you use the recommended drill bit to match the wall plug and hole size.
- 3: Ensure you drill the hole horizontally; do not force the drill or enlarge the hole.
- 4: Take extra care when drilling high walls, ceilings and ceramic tiles. Ensure wall plugs are inserted beyond the thickness of the ceramic tiles to avoid the tiles splitting or cracking.
- 5: Ensure wall plugs are well fitted and are a tight fit in the drilled hole.

Types of walls

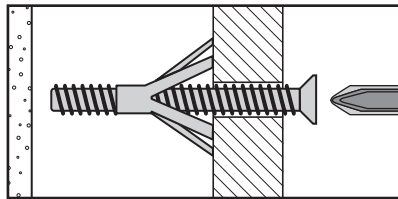
You can use one of the following types of wall plug if your walls are made of brick, breeze block, concrete, stone or wood.

No.1 "General Purpose" wall plug



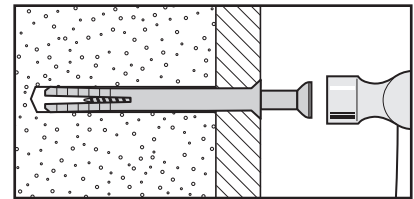
Generally aerated blocks should not be used to support heavy loads, use a specialist fitting in this case. For light loads, general purpose wall plugs can be used.

No.3 "Cavity Fixing" wall plug



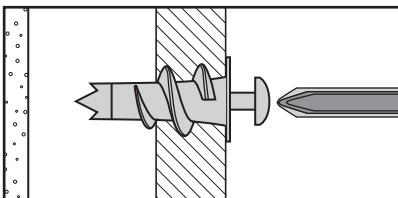
For use with plasterboard partitions or hollow wooden doors.

No.5 "Hammer Fixing" wall plug



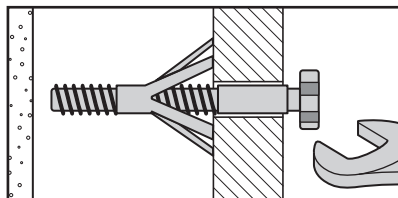
For use with walls stuck with plasterboard. The hammer fixing allows it to be fixed to the wall rather than the plasterboard. Always check the fixing is secure to the retaining wall.

No.2 "Plasterboard" wall plug



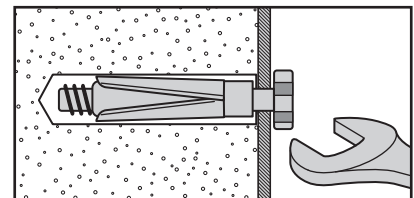
For use when attaching light loads onto plasterboard partitions.

No.4 "Cavity Fixing - Heavy Duty" wall plug



For use when fitting or supporting heavy loads such as shelving, wall cabinets and coat racks.

No.6 "Shield Anchor" wall plug - heavy loads



For use with heavier loads such as TV and HiFi speakers and satellite dishes etc.



Care & Maintenance

Safety: always check the fitting and location to ensure your safety in and around the home.

Fitting: from time to time check the fitting to ensure the wall plugs or screws do not become loose.