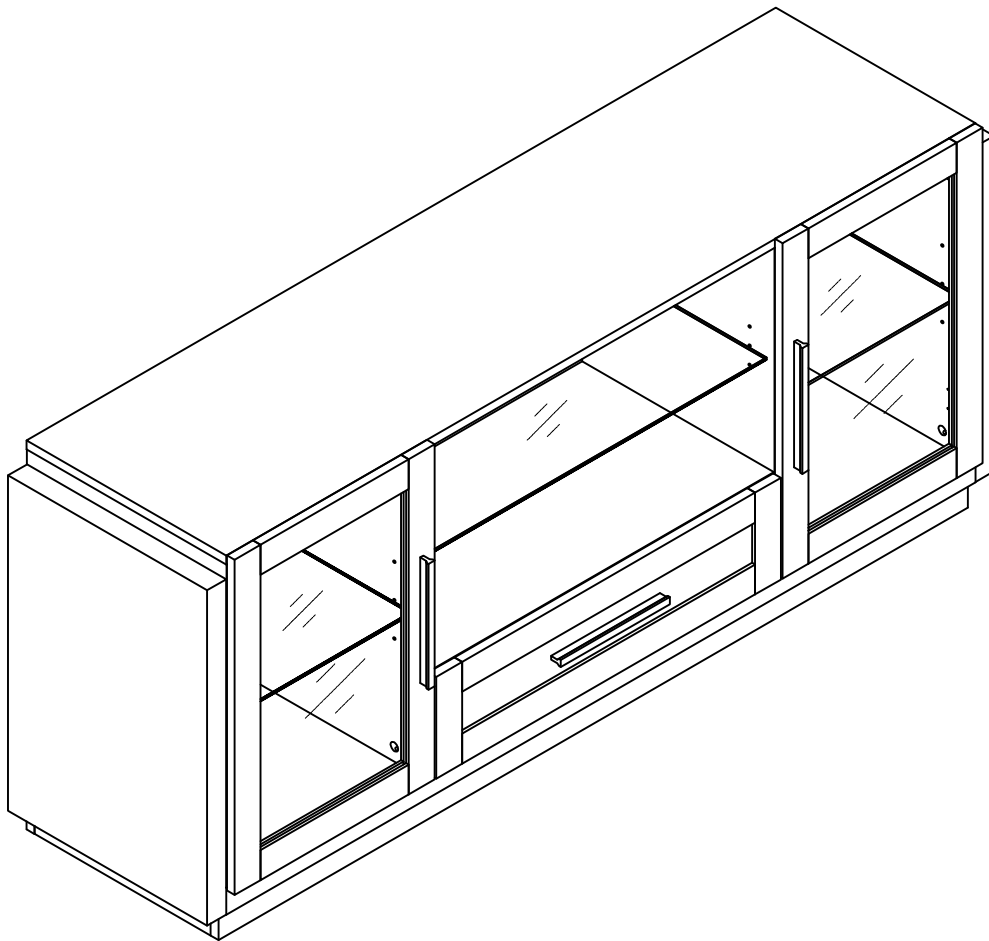


Sideboard

Assembly Instructions - Please keep for future reference

1061010322B

1061010323B



Dimensions

Width - 63.7inch

Depth - 15.7inch

Height - 32inch

Important – Please read these instructions fully before starting assembly



Safety and Care Advice

Important – Please read these instructions fully before starting assembly

- Check you have all the components and tools listed on the following pages.
- Remove all fittings from the plastic bags and separate them into their groups.
- Keep children and animals away from the work area, small parts could choke if swallowed.
- Make sure you have enough space to layout the parts before starting.

- During assembly do not stand or put weight on the product, this could cause damage.
- Assemble the item as close to its final position (in the same room) as possible.
- Assemble on a soft level surface to avoid damaging the unit or your floor.
- Parts of the assembly will be easier with 2 people.



power drill is set on a low torque setting.

- To reduce the likelihood of damaging your product please ensure that your

Care and maintenance

- Only clean using a damp cloth and mild detergent, do not use bleach or abrasive cleaners.
- From time to time check that there are no loose screws on this unit.
- This product should not be discarded with household waste. Take to your local authority waste disposal centre.

Handy Hints

- Assemble all parts and bolts loosely during assembly, only once the product is complete should you fully tighten the bolts
- Regularly check and ensure That all bolts and fittings are tightend properly.

WARNING

In order to help prevent overturning – please follow these instructions

To help prevent product toppling over please follow the below steps:-

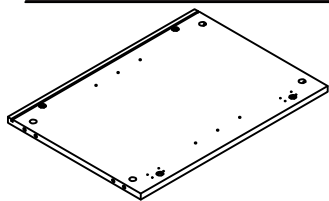
Use the anti tip stap or wall fixing method provided (if applicable)
Do not allow children to climb or hang on the furniture
Do not open more than one drawer at a time
Do not place heavy items in the top drawers
Do not place heavy items on top of the furniture, unless the furniture has been designed for this purpose

please note that only the anti tip strap is provided.

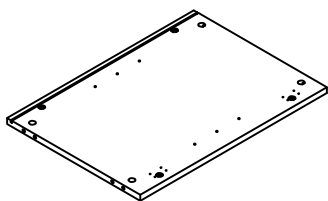
You will need to provide wall plugs and screws applicable for your wall type

Components - Panels

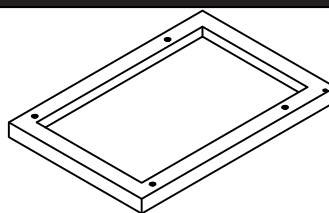
Please check you have all the panels listed below



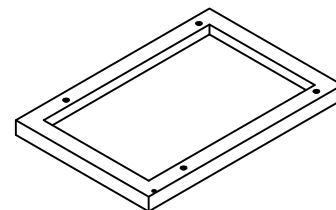
1 (540X385X15mm)X1



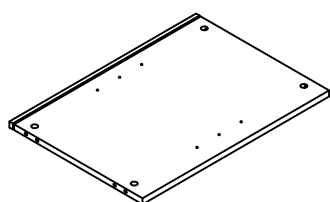
2 (540X385X15mm)X1



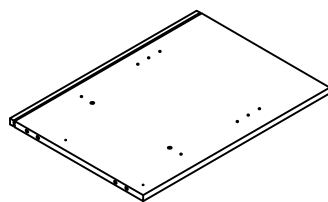
3 (560X384X40mm)X1



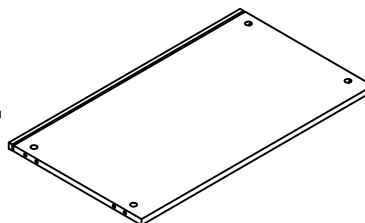
4 (560X384X40mm)X1



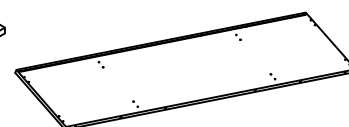
5 (540X385X15mm)X1



6 (540X385X15mm)X1



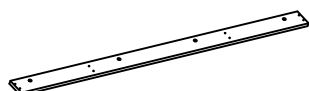
7 (670X384X15mm)X1



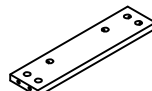
8 (1445X370X15mm)X1



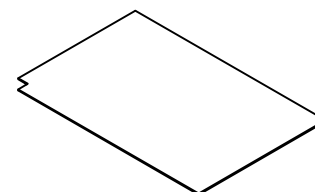
9 (1445X45X15mm)X1



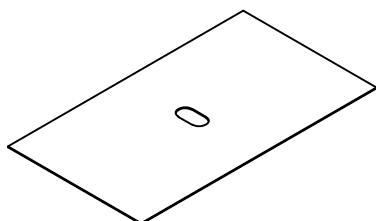
10 (1445X80X15mm)X2



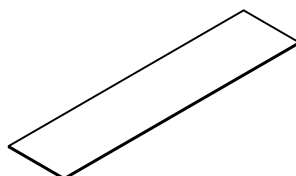
11 (340X80X15mm)X4



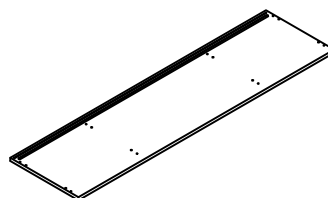
12 (550X367X2.7mm)X2



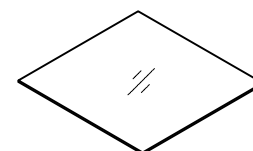
13 (680X385X2.7mm)X1



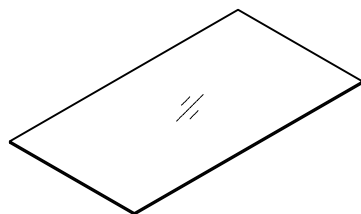
14 (680X160X2.7mm)X1



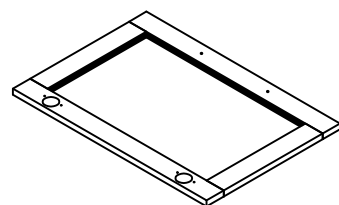
15 (1445X385X15mm)X1



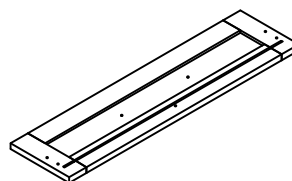
16 (360X347X4mm)X2



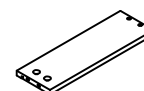
17 (660X360X5mm)X1



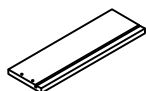
18 (560X386X15mm)X2



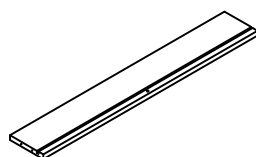
19 (665X170X15mm)X1



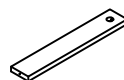
20 (300X96X12mm)X1



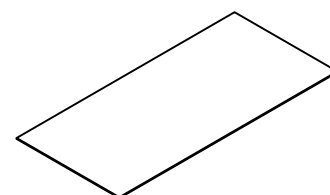
21 (300X96X12mm)X1



22 (620X96X12mm)X1



23 (287X50X12mm)X1












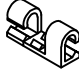

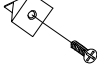





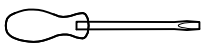
24 (630X297X2.7mm)X1

Components - Fittings

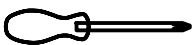
Please check you have all the hardware listed below

Note: The quantities below are the correct amount to complete the assembly. In some cases more fittings may be supplied than are required.

 A Male Camlock x 61	 B Female Camlock x 61	 C Dowel x 28
 D Drawer slider 12"x 1	 E 3.5*14mm Screw x 36	 F x 12
 G Handle & Fixings x 2	 H Handle & Fixings x 1	 I Protective Feet x 14
 J 6*25mm Screw x 8	 K Door Hinge x 4	 L Wire Holder x 4
 M Wall Fixing Pack x 2	 N Back Panel Stiffener x 16	 O Light Strip x 1
 P x 2	 Q 4*30mm Screw x 5	

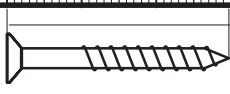


Tools required



Phillips screwdriver
(medium & large)

Ruler - Use this ruler to help correctly identify the screws



The screws length is measured from the head to the point (30mm screw shown).

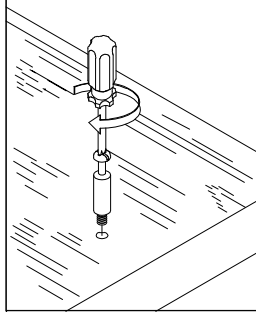
Using Camlocks

Step 1

Connect the male camlock as directed in the assembly instructions using a screwdriver.

1

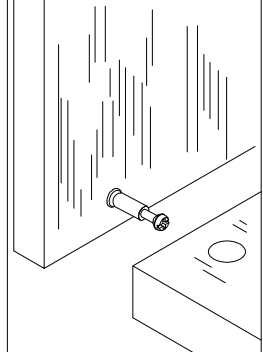
DO NOT OVER TIGHTEN.
NE PAS SERRER EXCESSIVEMENT.



Step 2

Push the male camlock into the entry hole.

2

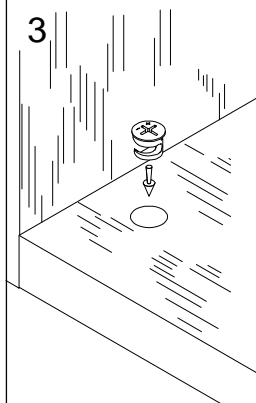


Step 3

Insert the female camlock as shown in the instruction.

Note: ensure that the arrow on the top of the camlock points towards the entry hole for the male camlock.

3



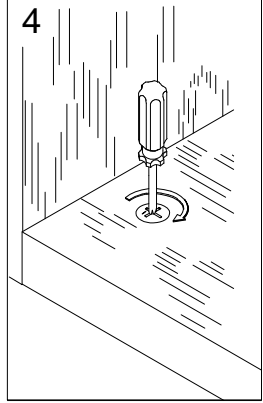
Step 4

Turn the female camlock clockwise with a screwdriver.

You should feel a click when the camlock is locked in place.

The joint is now secure.

4



Adjusting Hinges

Hinge adjustment:

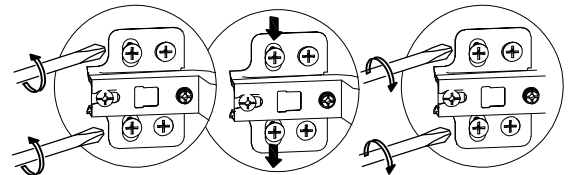
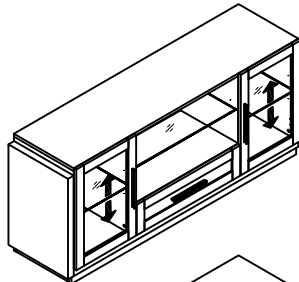
a: To move the top panel up or down, loosen screws shown and move top panel to suit

b. To move the top panel in or out, loosen screws shown and move top panel to suit.

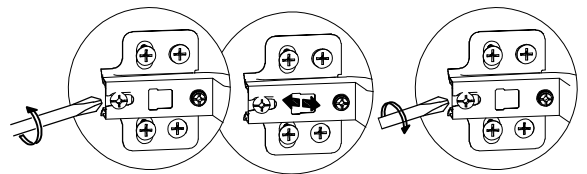
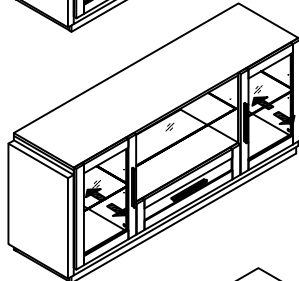
Retighten screws

c: To move the top panel left or right, adjust screws shown.

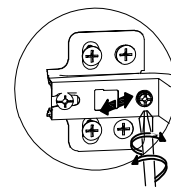
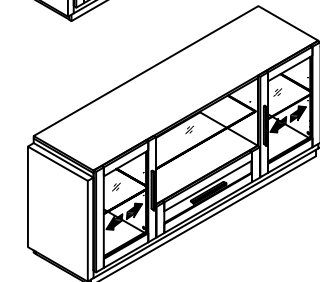
a:



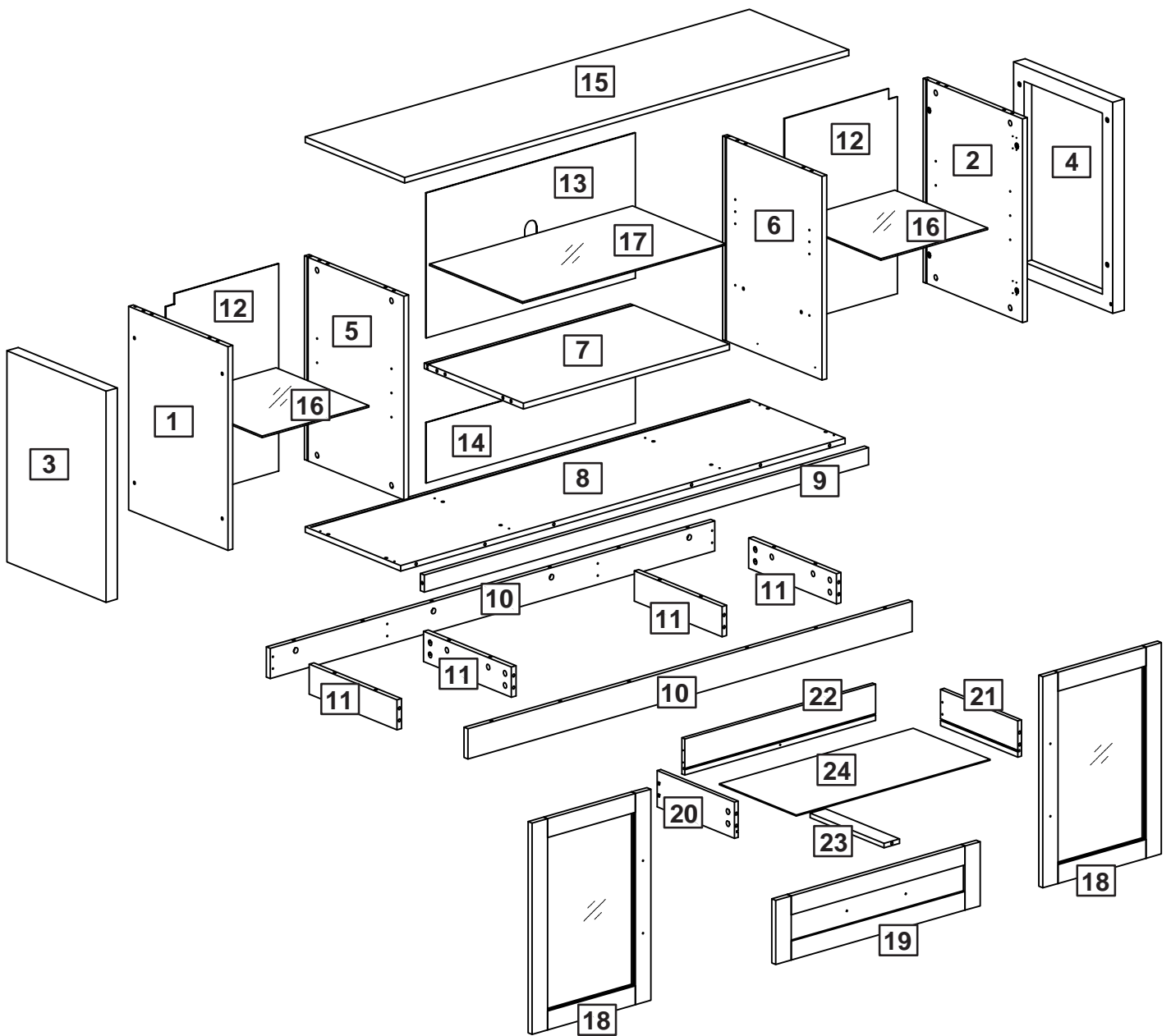
b:



c:

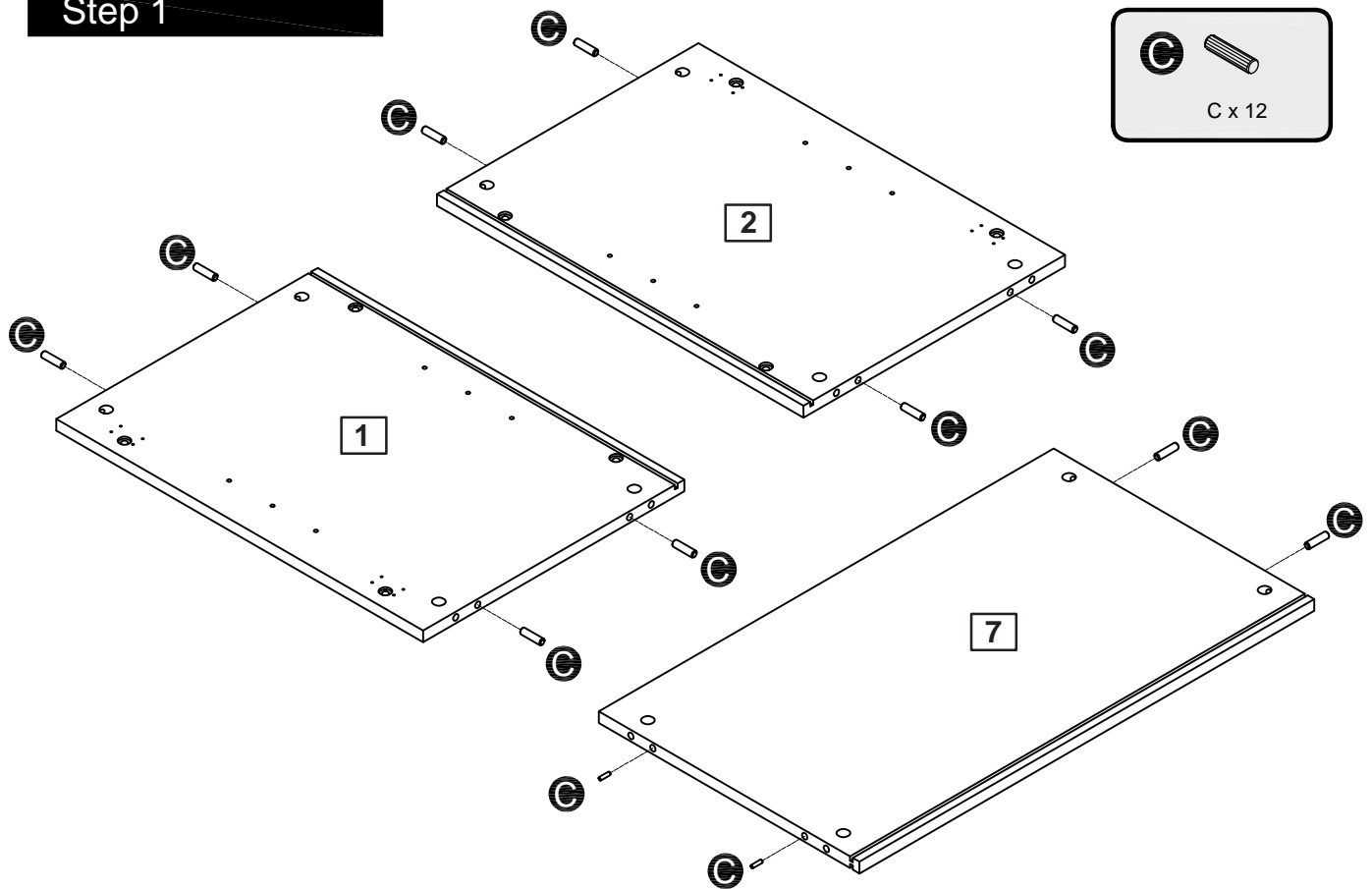


Assembly Instructions

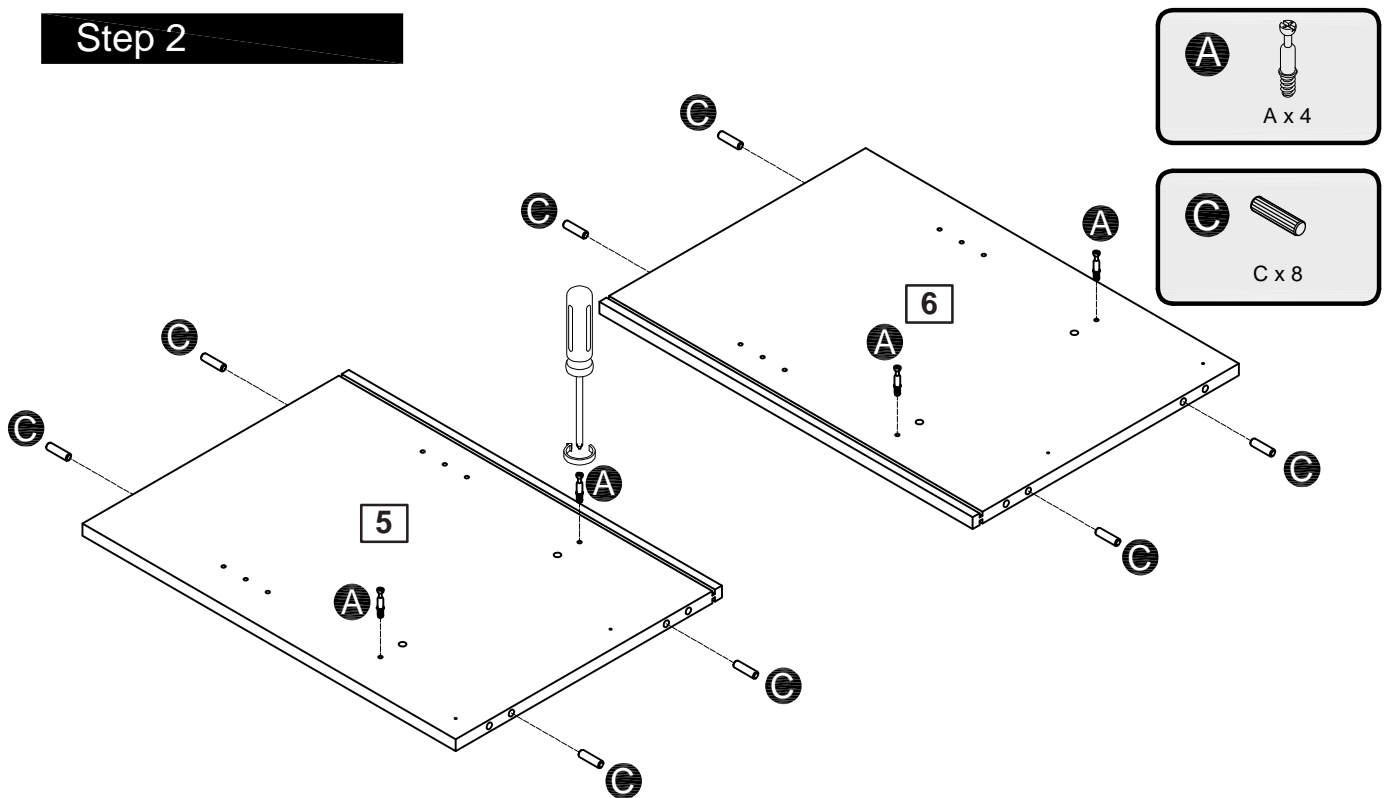


Assembly Instructions

Step 1

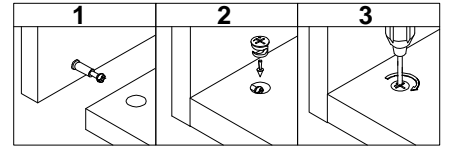
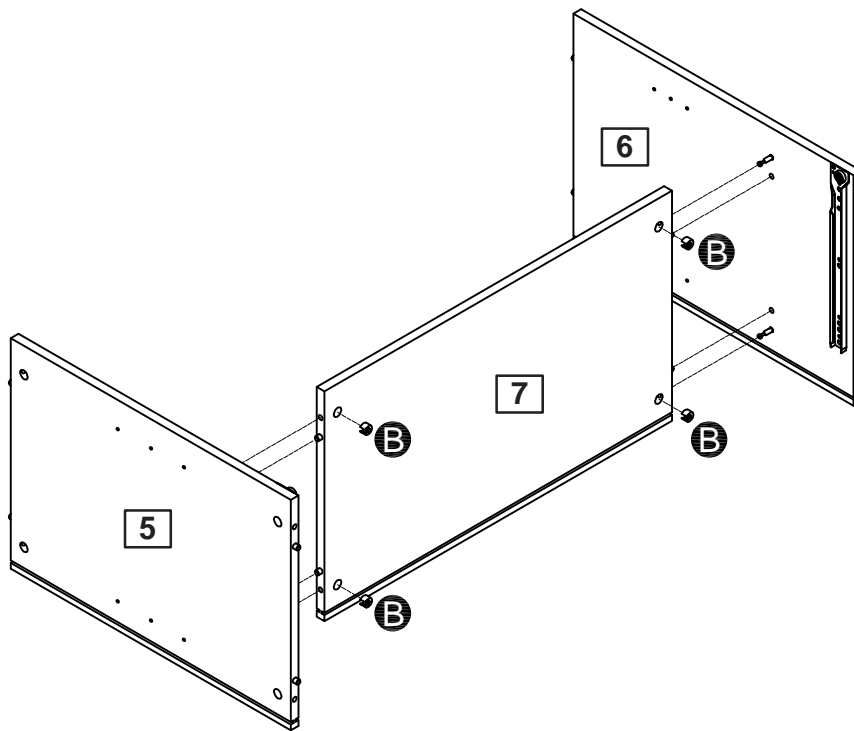
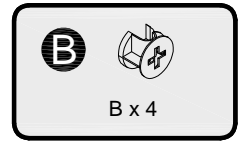


Step 2

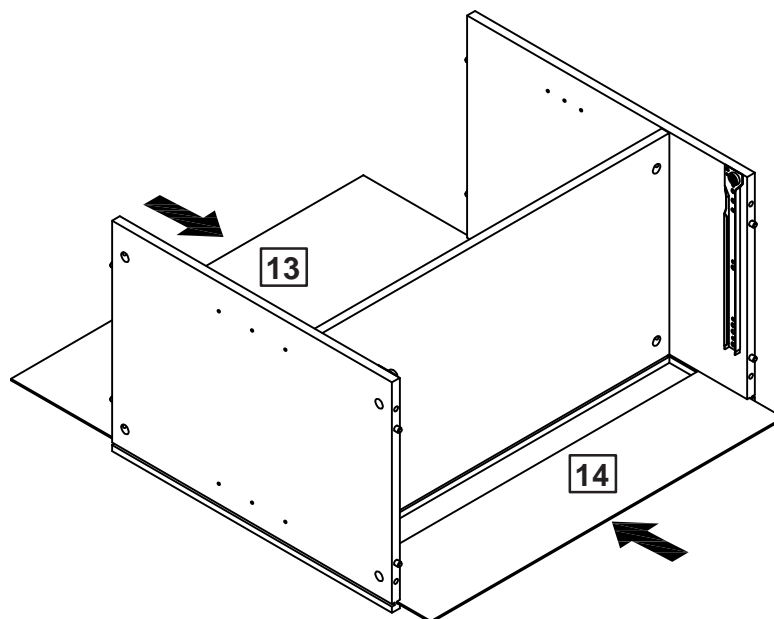


Assembly Instructions

Step 5

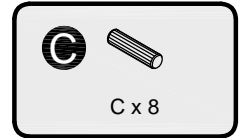
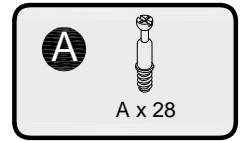
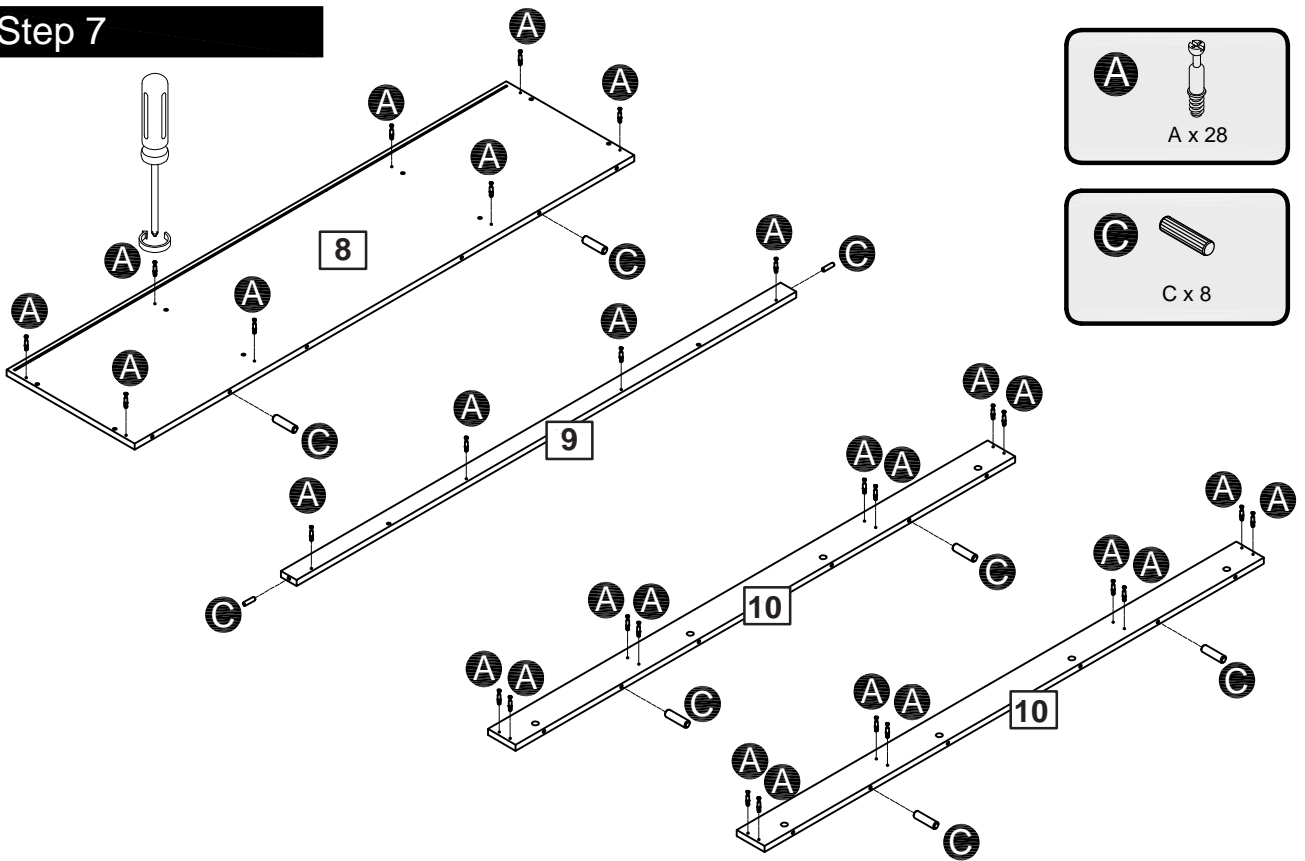


Step 6

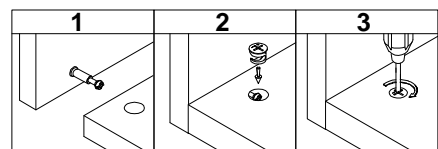
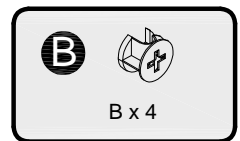
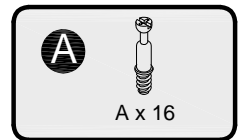
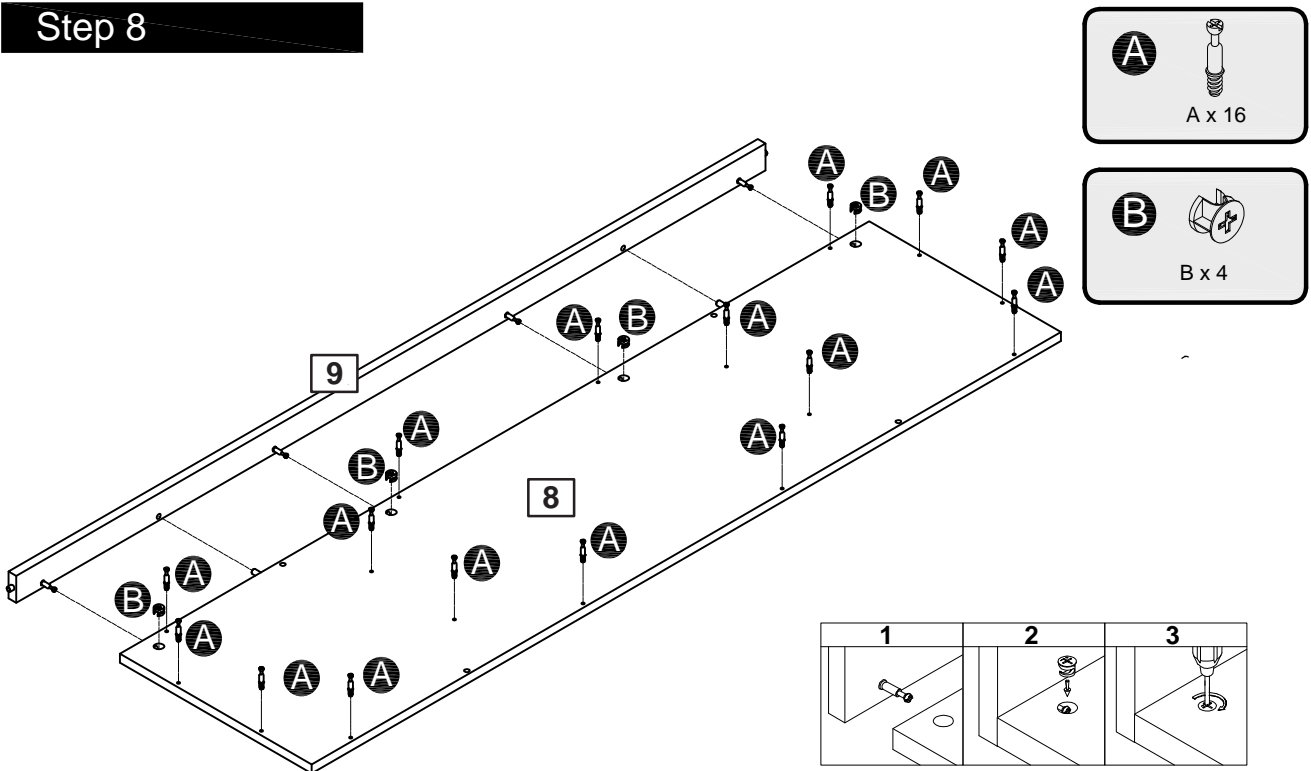


Assembly Instructions

Step 7



Step 8

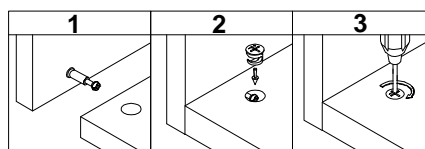
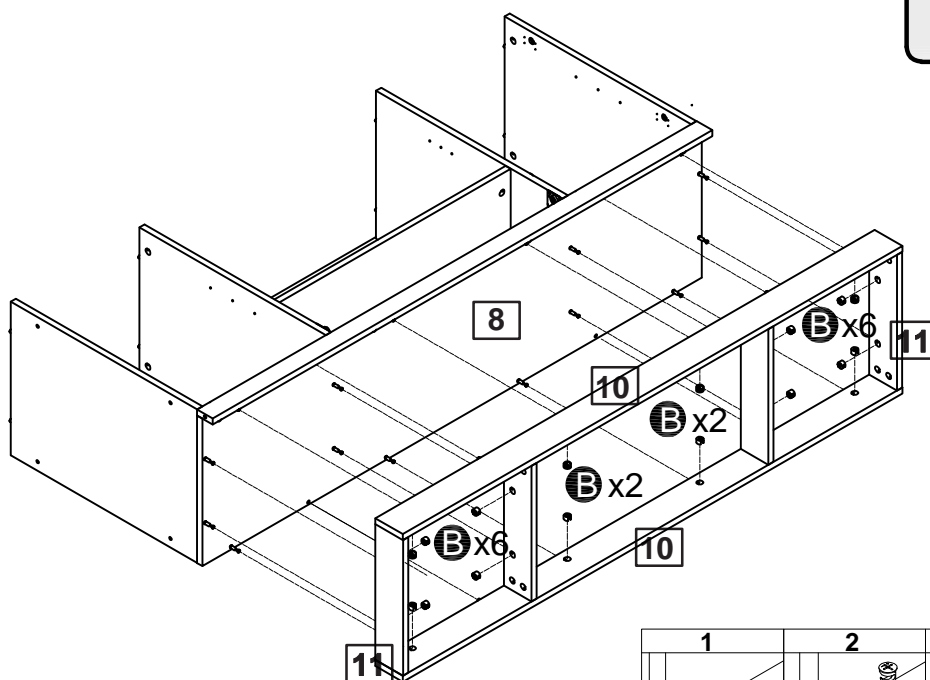


Assembly Instructions

Step 11



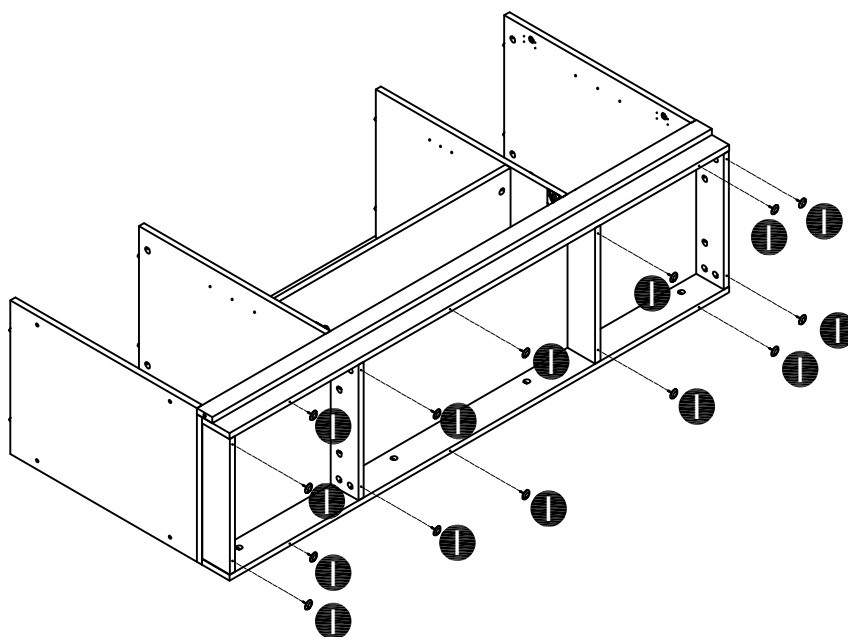
B x 16



Step 12

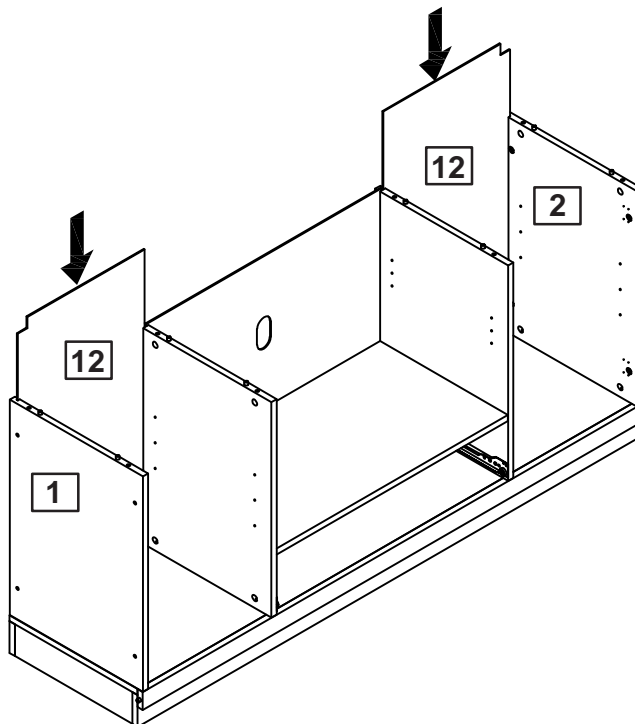


I x 14

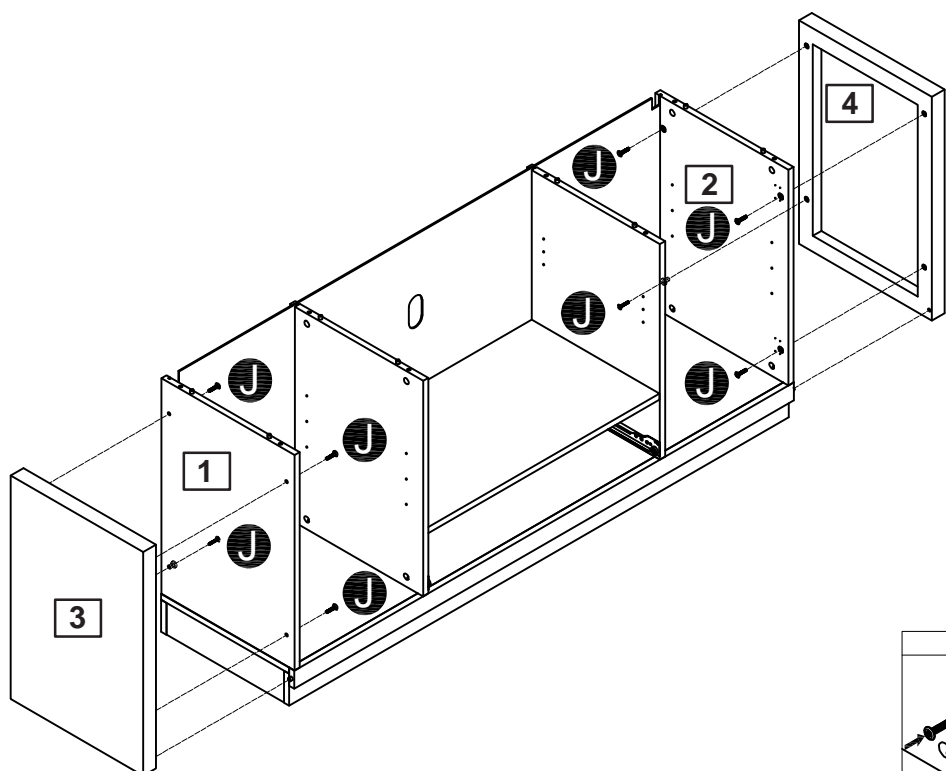


Assembly Instructions

Step 13

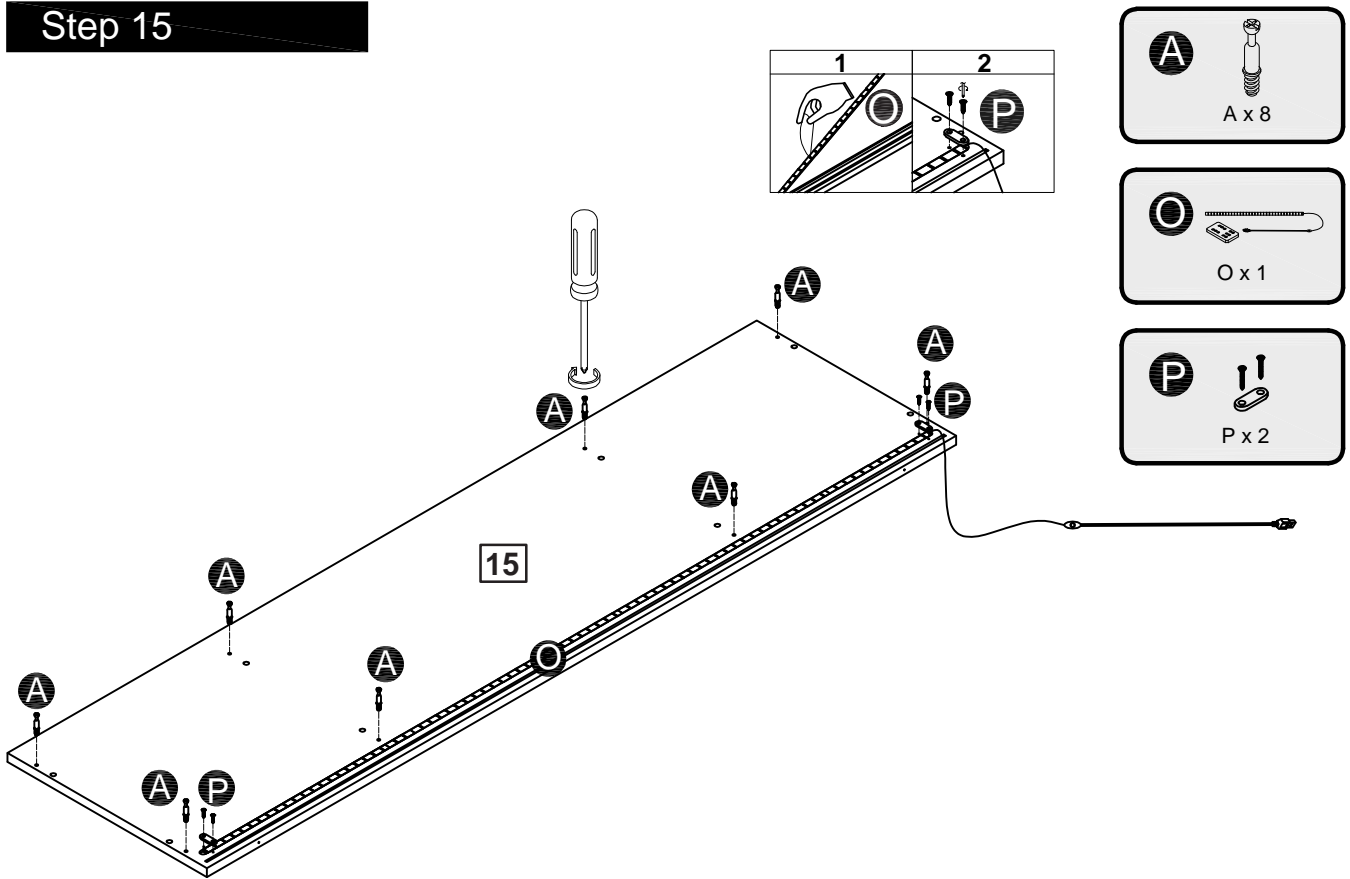


Step 14

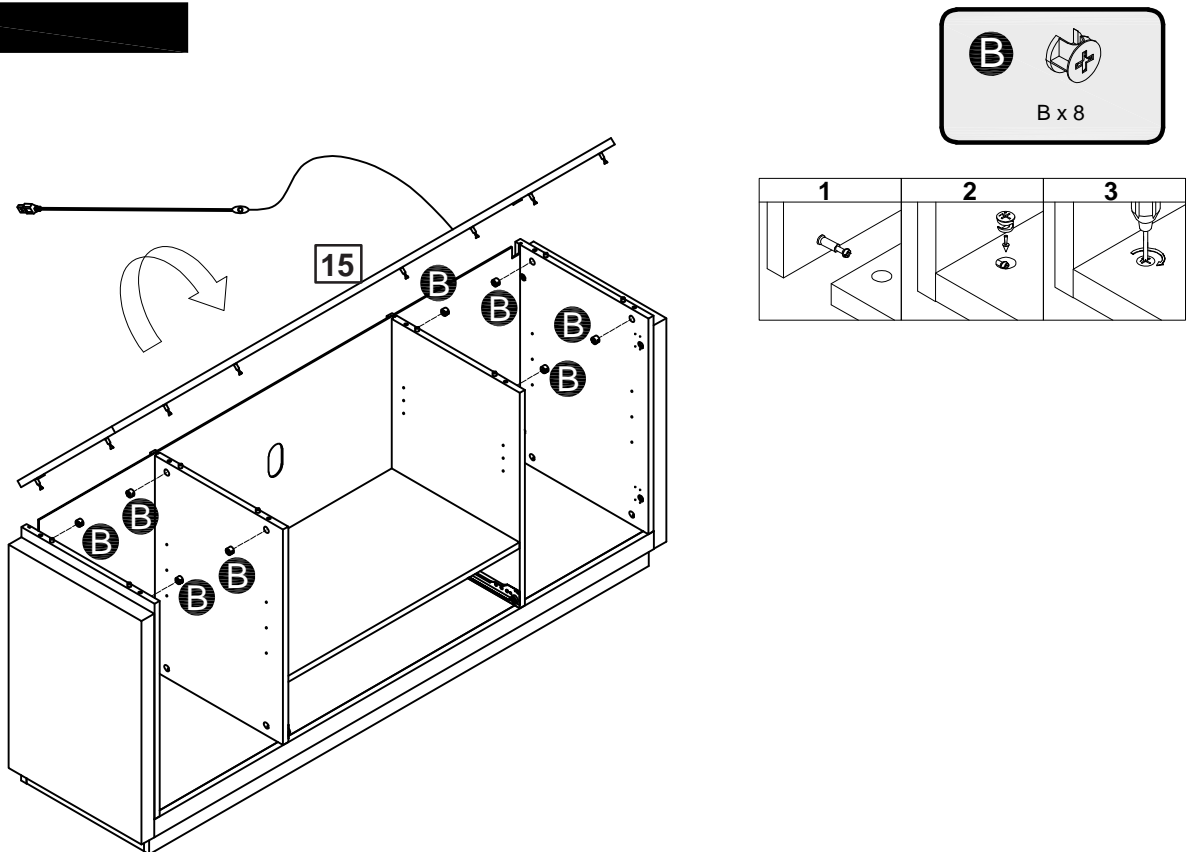


Assembly Instructions

Step 15



Step 16



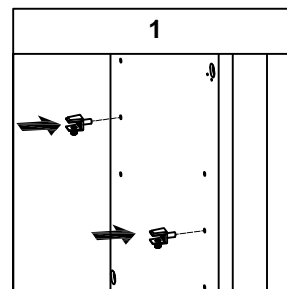
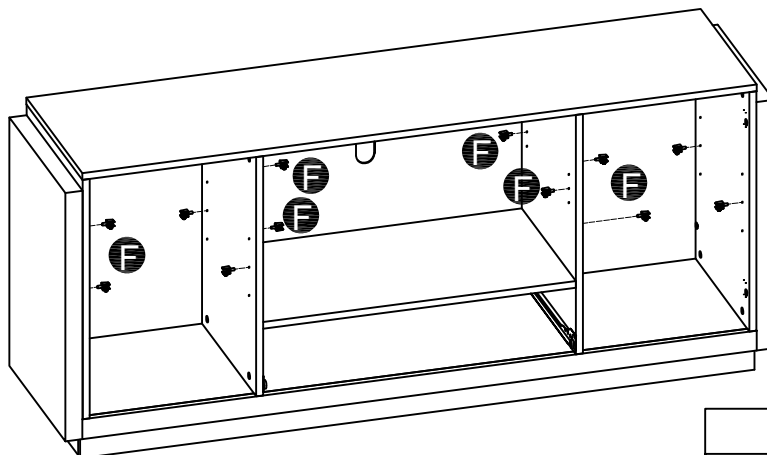
Assembly Instructions

Step 17

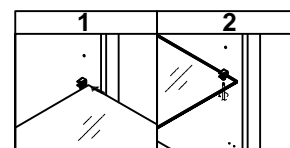
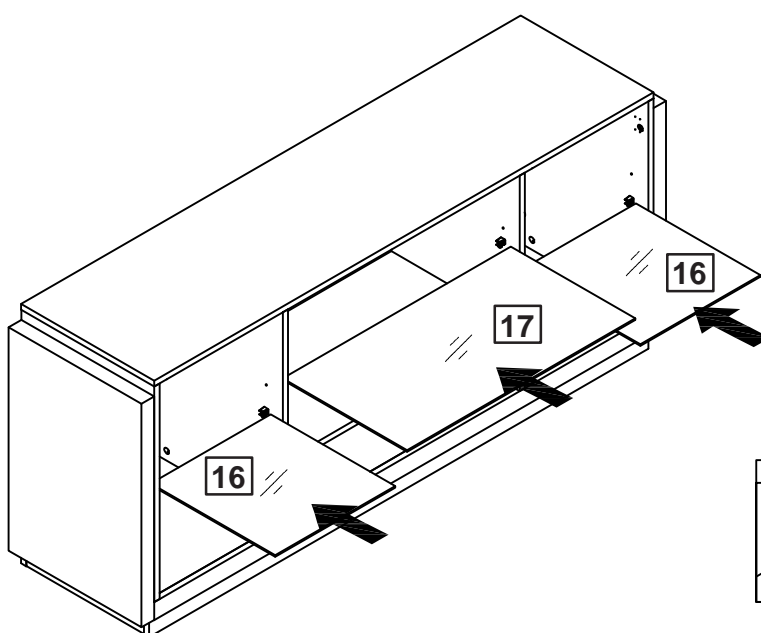
F



F x 12

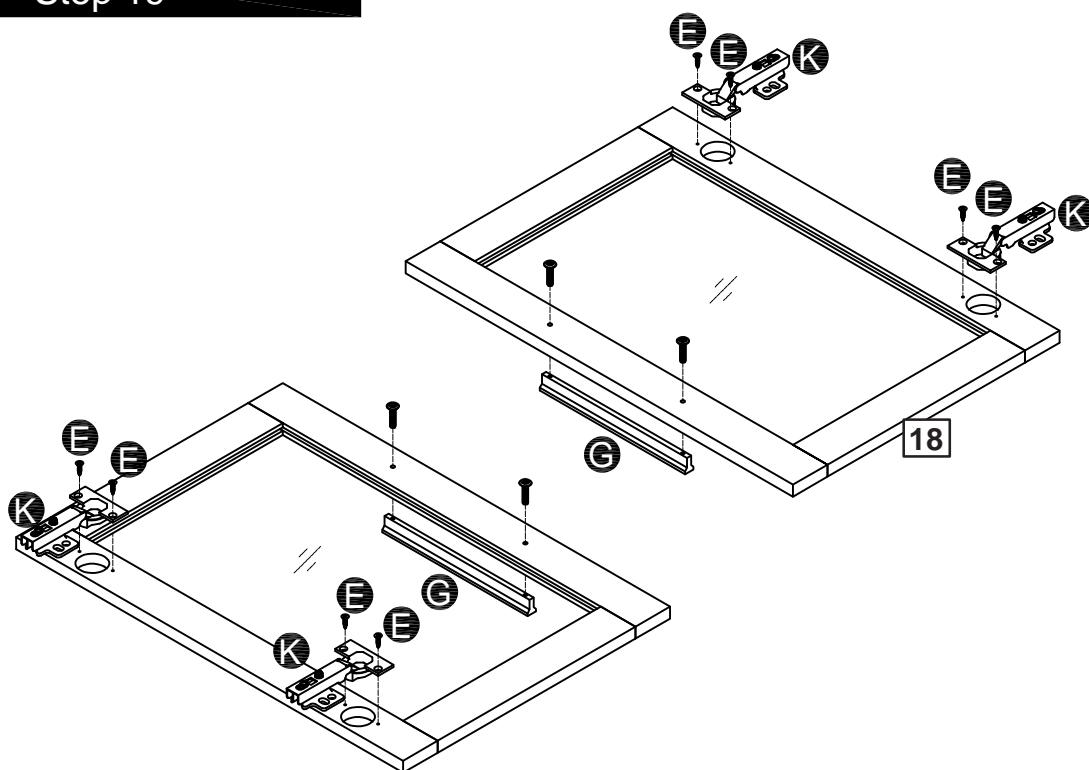


Step 18



Assembly Instructions

Step 19



K x 4

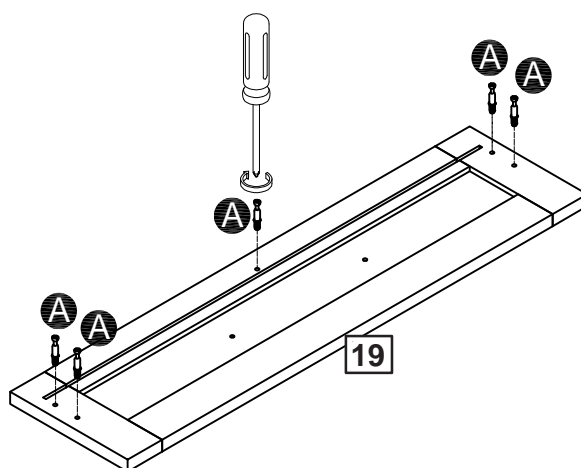


E x 8



G x 2

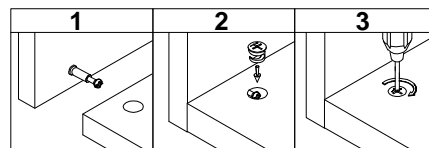
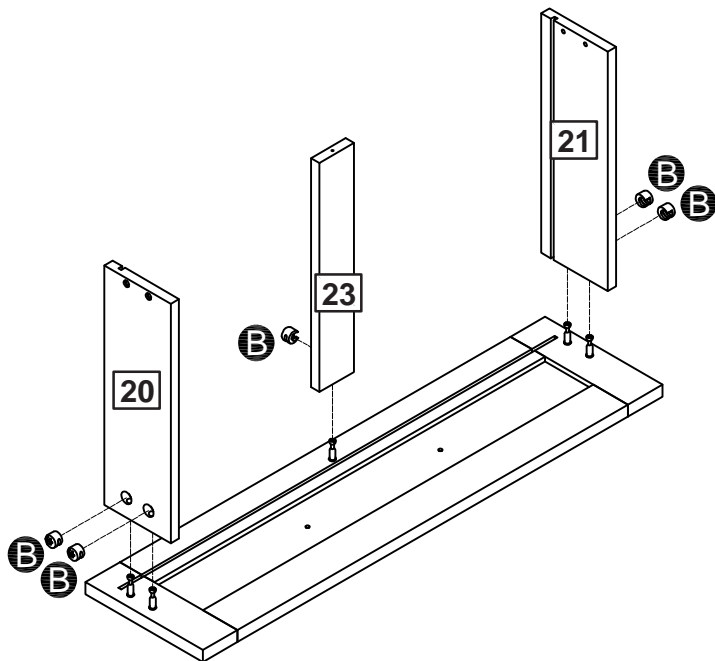
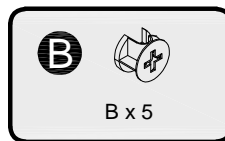
Step 20



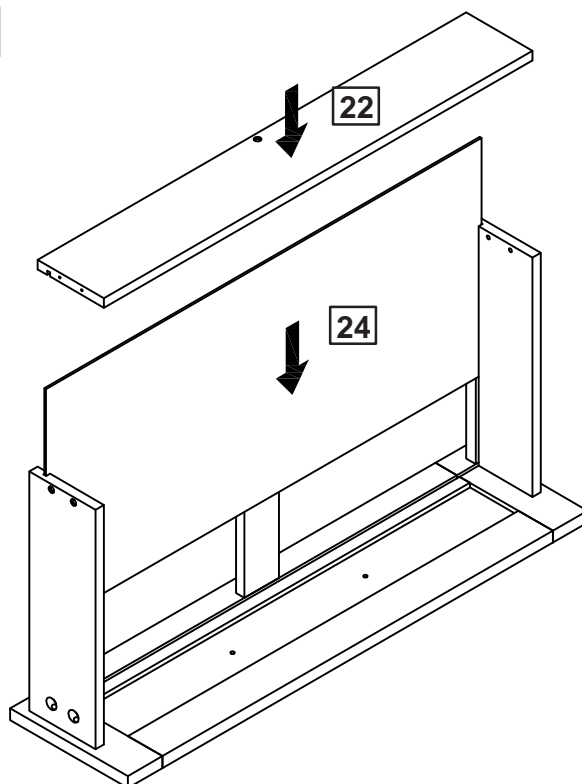
A x 5

Assembly Instructions

Step 21

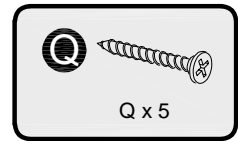
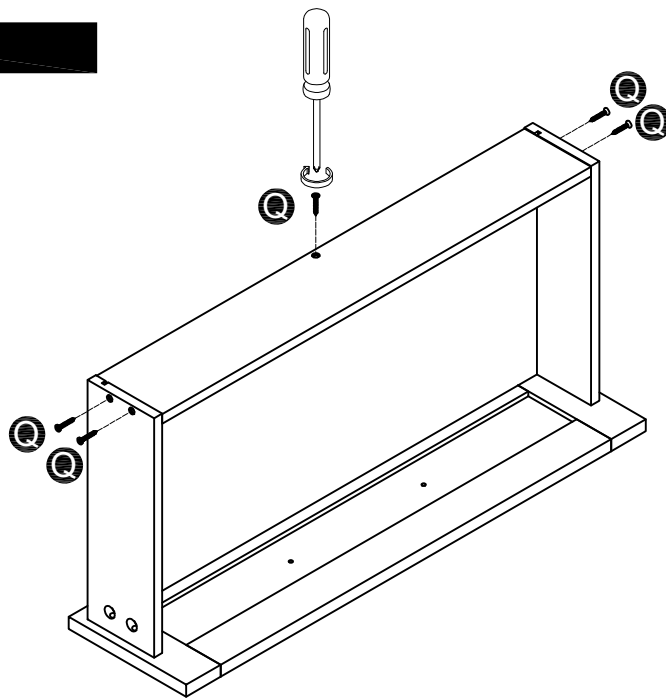


Step 22

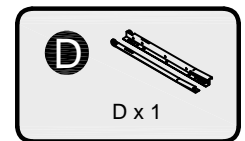
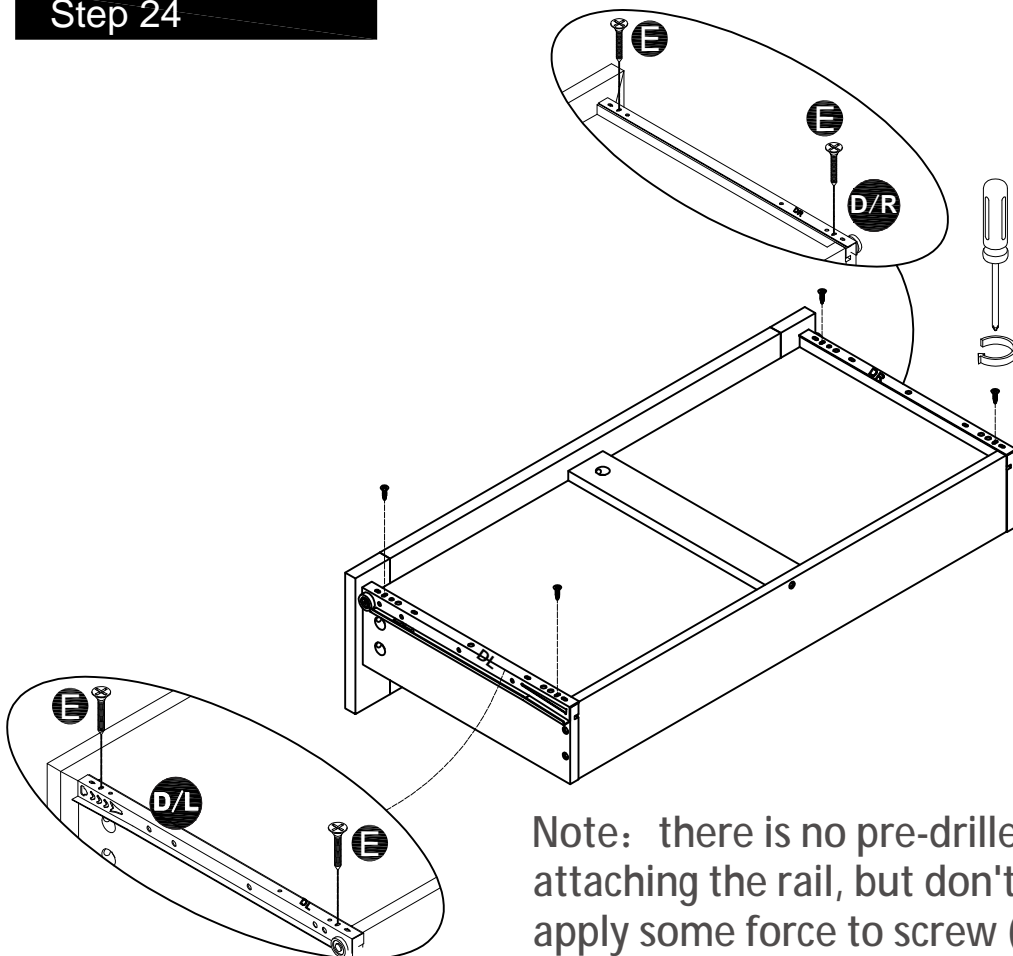


Assembly Instructions

Step 23



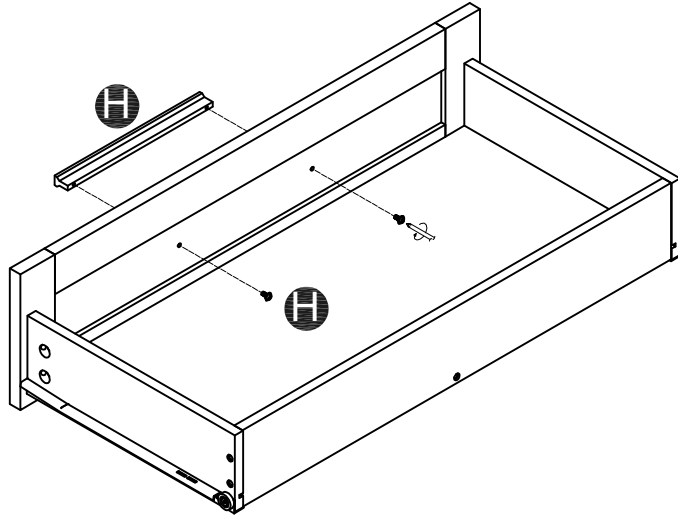
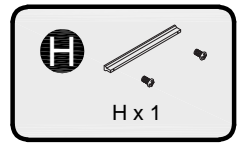
Step 24



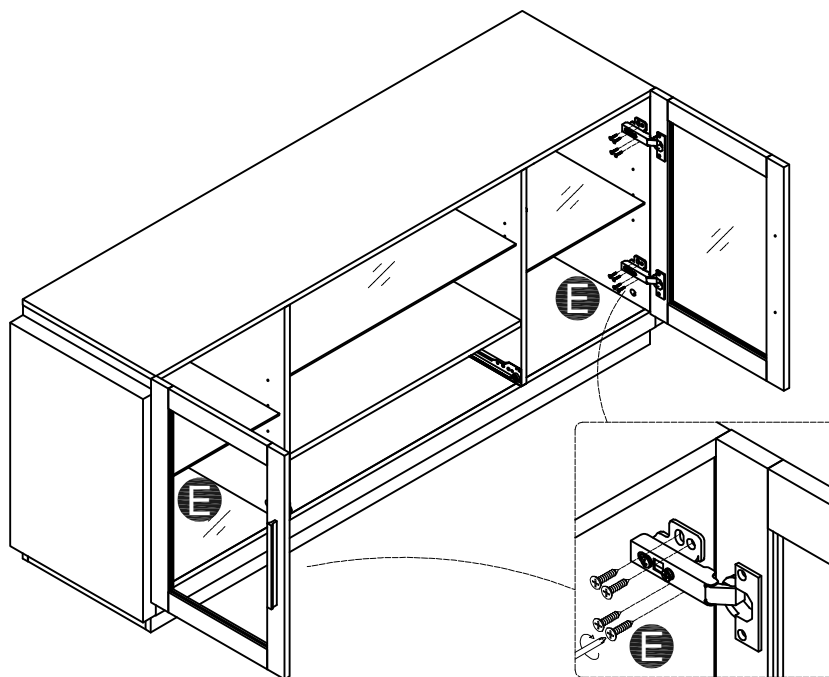
Note: there is no pre-drilled holes for attaching the rail, but don't be afraid to apply some force to screw (E) as it's self tapping.

Assembly Instructions

Step 25



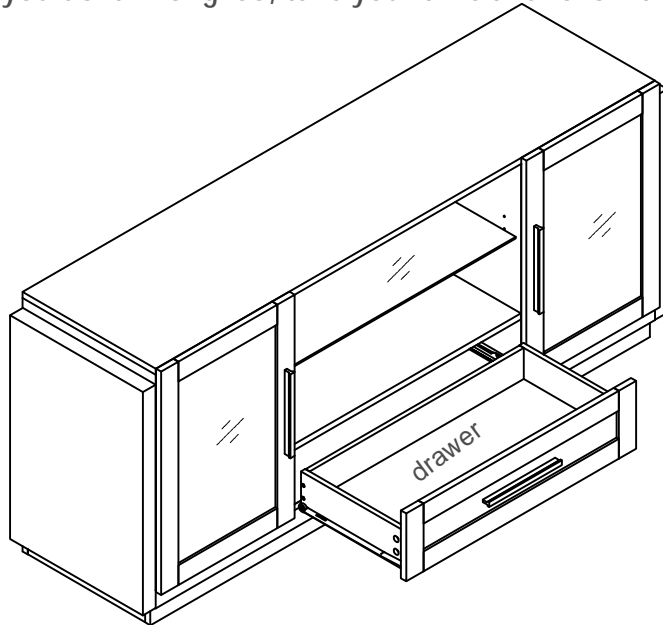
Step 26



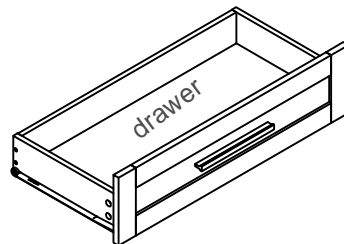
Assembly Instructions

Step 27

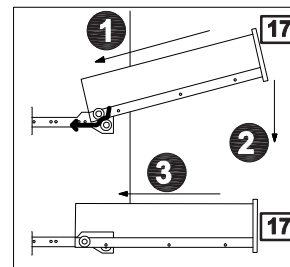
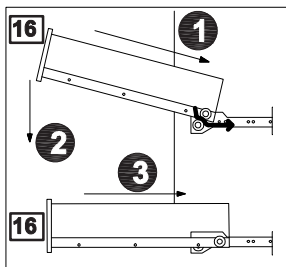
Congratulation! You've made to the last step! But don't be too thrilled yet, put on the drawer can be frustrating if you do it wrong. So, take your time and follow the steps below.



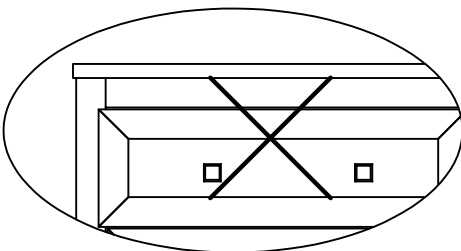
1. Make sure that you have right and left drawers sorted out first, because the drawer panel may cover the side if the right drawer is on the left side, vice versa.



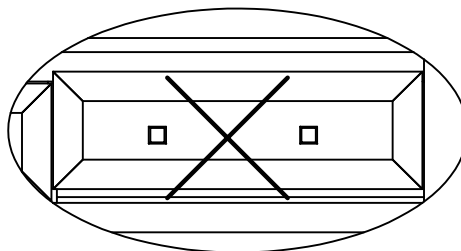
2. Please ensure that you have matched the wheels on BOTH sides of the drawer with the wheels on rails installed BEFORE push in the drawer.



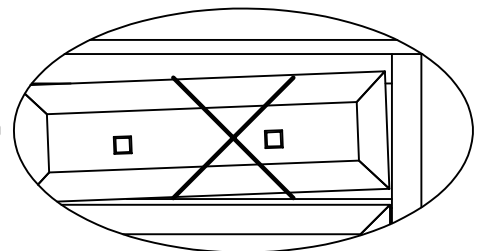
3. If the following occurs, redo the first two steps.



(drawer is on the wrong side)



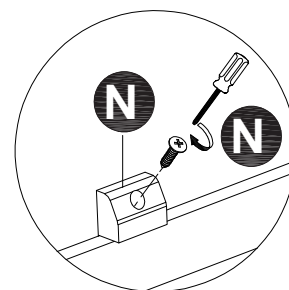
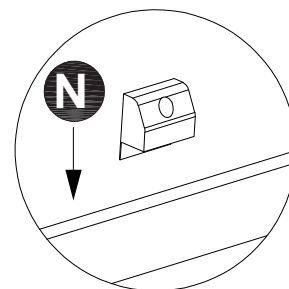
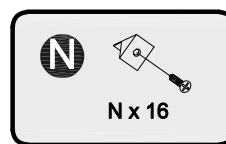
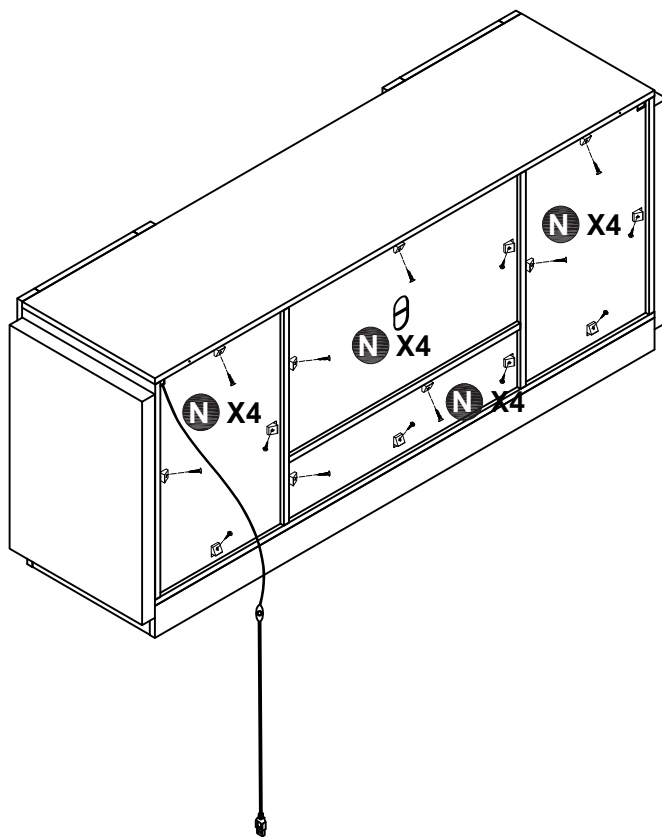
(both wheels are off the rails)



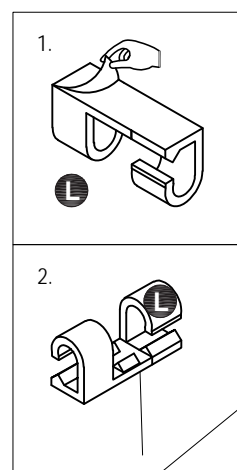
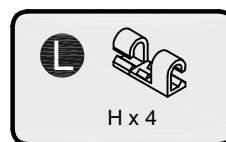
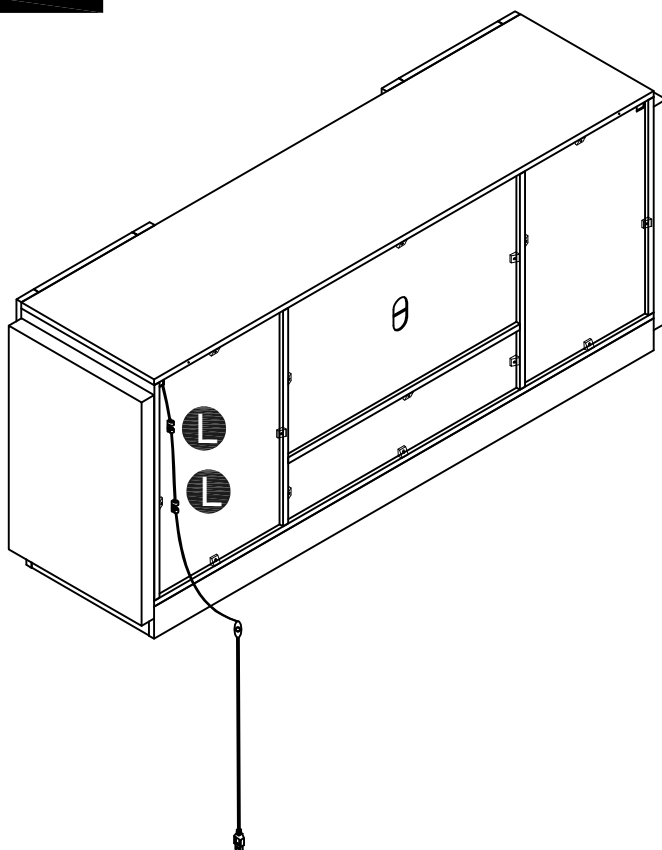
(one wheel is off the rail)

Assembly Instructions

Step 28

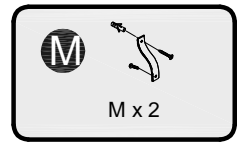


Step 29



Assembly Instructions

Step 30



The unit is floor standing, but it is recommended that the unit is secured to the wall.

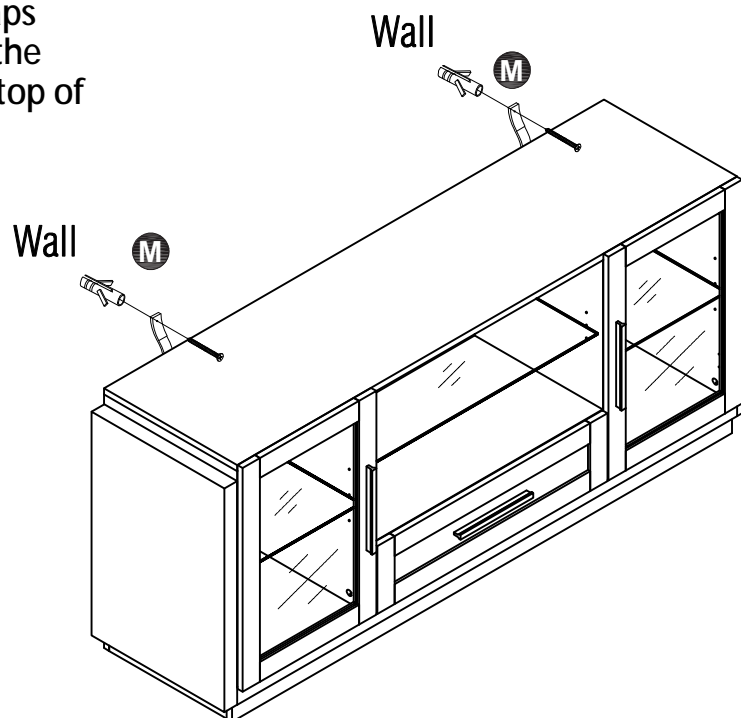
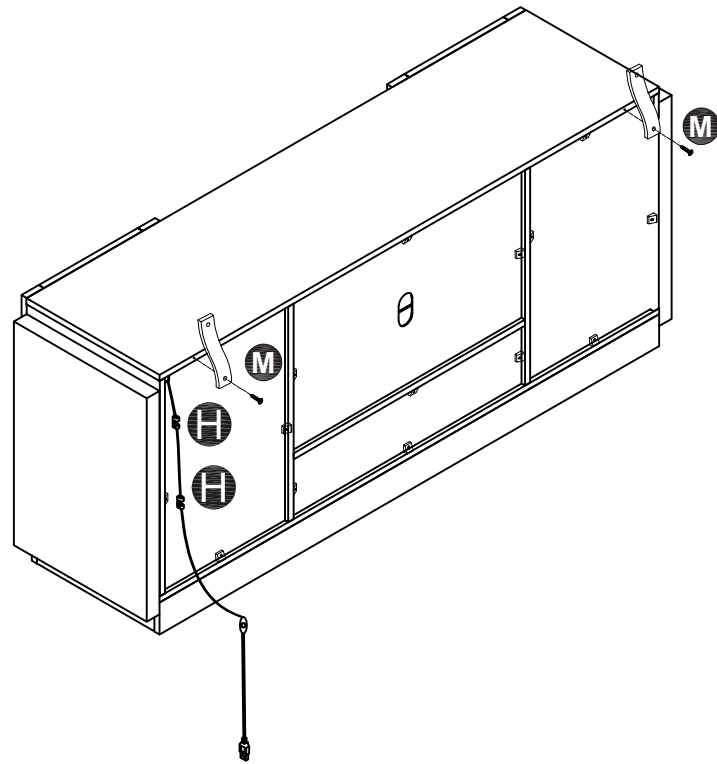
1. Move the unit into desired position.
2. Mark the wall with a suitable scribe the position of the fixing holes.



Warning:
Before drilling, check wall for hidden pipes and cables.

3. Drill holes and insert 2 x wall plug
4. Attach 2 x Wall Straps to to the top of the unit using 2 x Washers and 2 x Screws
5. Secure the straps to the wall using 2 x Washers and 2 x Screws

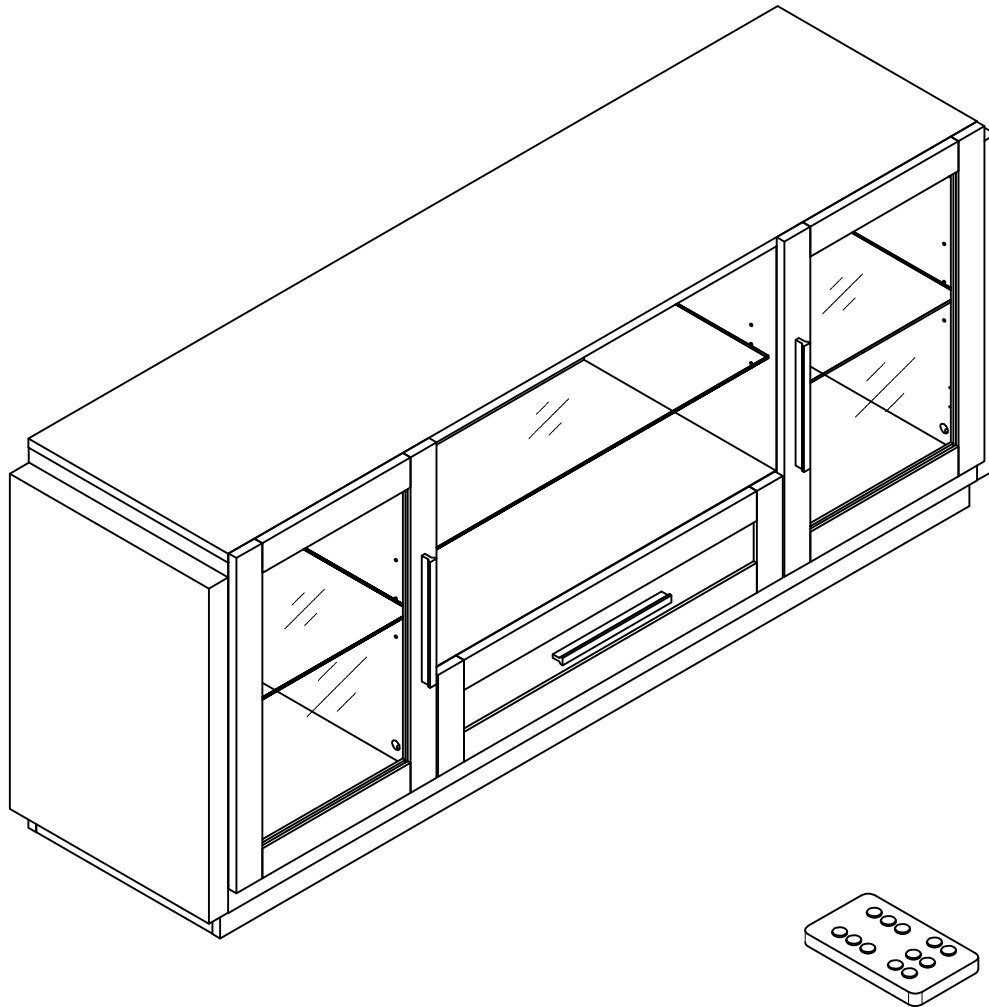
Note: To hide the straps behind the unit, drill the holes lower than the top of the unit



Assembly is complete.

Assembly Instructions

Step 31



Effective distance of light control: within 3 meters

Assembly is complete.