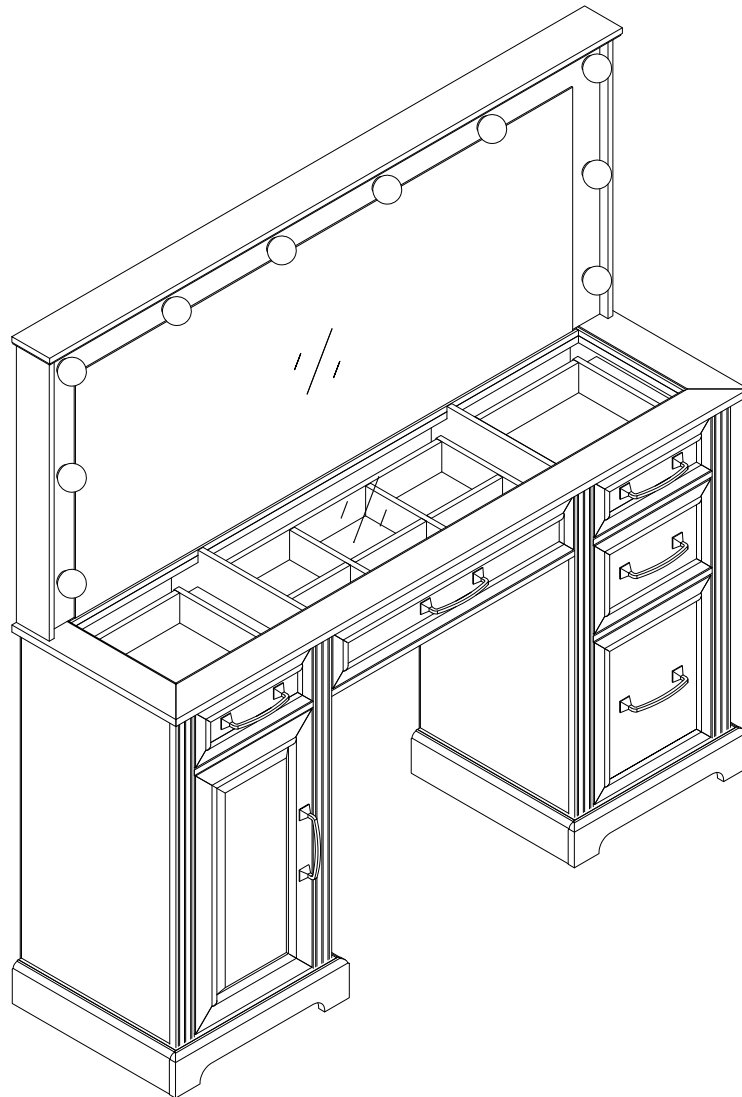


# Multi-functional vanity

Assembly Instructions - Please keep for future reference

## **NOTE:**

Comes with TWO PACKAGES with TWO TRACKINGS, may NOT be delivered at the same time.



### Dimensions

Width - 55.2inch  
Depth - 15.75inch  
Height - 55.7inch

Any question please feel free to contact us:  
support@amer-life.com TEL:(901) 347-2181  
We will provide further assistance within 24 hours.

Important – Please read these instructions fully before starting assembly



# Safety and Care Advice

## Important – Please read these instructions fully before starting assembly

- Check you have all the components and tools listed on the following pages.

- Remove all fittings from the plastic bags and separate them into their groups.

- Keep children and animals away from the work area, small parts could choke if swallowed.

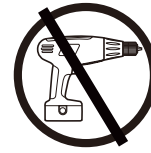
- Make sure you have enough space to layout the parts before starting.

- During assembly do not stand or put weight on the product, this could cause damage.

- Assemble the item as close to its final position (in the same room) as possible.

- Assemble on a soft level surface to avoid damaging the unit or your floor.

- Parts of the assembly will be easier with 2 people.



power drill is set on a low torque setting.

- To reduce the likelihood of damaging your product please ensure that your

## Care and maintenance

- Only clean using a damp cloth and mild detergent, do not use bleach or abrasive cleaners.

- From time to time check that there are no loose screws on this unit.

- This product should not be discarded with household waste. Take to your local authority waste disposal centre.

## Handy Hints

- Assemble all parts and bolts loosely during assembly, only once the product is complete should you fully tighten the bolts

- Regularly check and ensure that all bolts and fittings are tightened properly.

## WARNING

### In order to help prevent overturning please follow these instructions

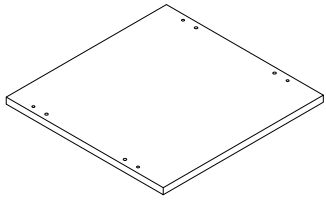
To help prevent product toppling over please follow the steps below:

- Must use the anti tip strap or wall fixing method provided (whichever applies).
- Do not allow children to climb or hang on the furniture.
- Do not place heavy items on top of the furniture, unless the furniture has been designed for this purpose
- Installation shall be carried out exactly according to the instructions- otherwise a safety risk can occur
- In order to prevent falling down this product must be used with the wall attachment device provided.

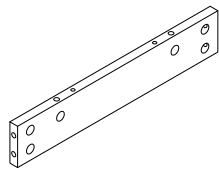
Please note that only the wall attachment device is provided. You will need to supply wall plugs and screws applicable for your wall type.

# Components - Panels

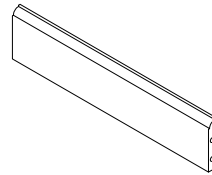
## Part List 1



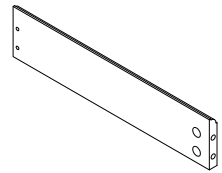
1 (39.2\*38.4\*1.5cm)x2



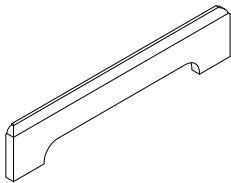
2 (39.2\*7\*1.5cm)x2



3 (38.4\*8.5\*1.5cm)x2



4 (38.4\*8.5\*1.5cm)x2



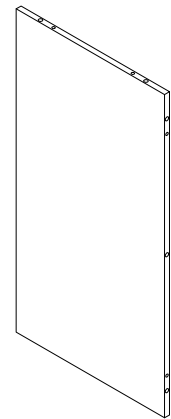
5 (42.4\*8.5\*1.5cm)x2



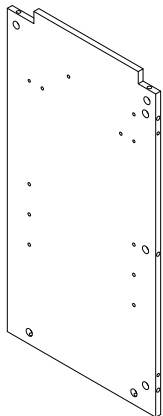
6 (68.5\*4.5\*1.5cm)x1



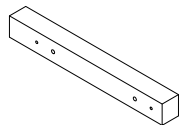
7 (68.5\*4.5\*1.5cm)x3



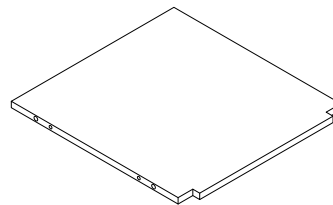
8 (68.5\*36.3\*1.2cm)x1



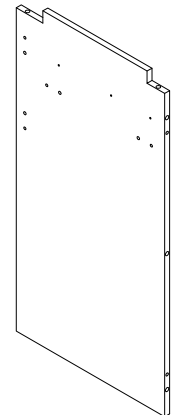
9 (71.1\*36.3\*1.2cm)x1



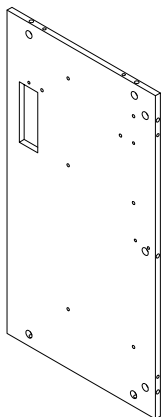
10 (28.6\*3.6\*3.2cm)x8



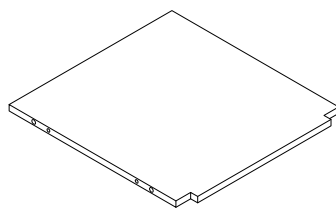
11 (35.4\*37.7\*1.2cm)x1



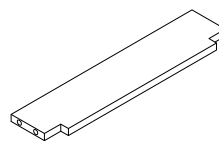
12 (71.1\*36.3\*1.2cm)x1



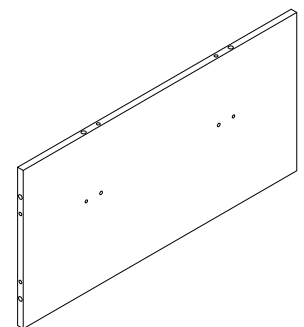
13 (68.5\*36.3\*1.2cm)x1



14 (35.4\*37.7\*1.2cm)x1



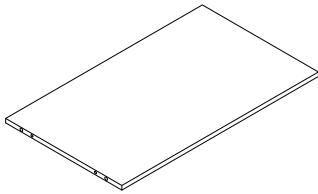
15 (35.4\*8\*1.2cm)x1



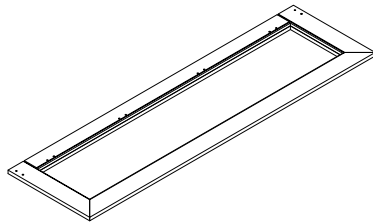
16 (59.5\*29.8\*1.2cm)x1

# Components - Panels

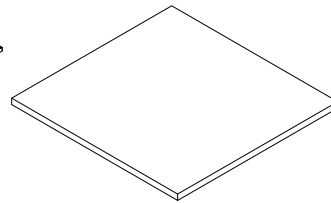
## Part List 1



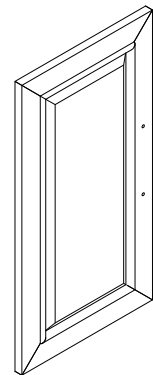
17 (59.4\*35.1\*1.2cm)x1



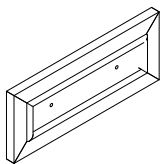
18 (139.7\*40\*3cm)x1



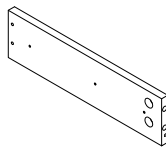
21 (34.7\*36\*1.2cm)x1



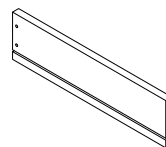
22 (54.6\*28.4\*2cm)x1



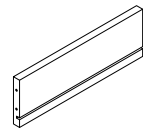
23 (28.4\*11.5\*2cm)x2



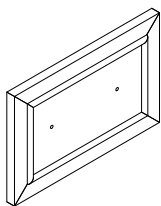
24 (30\*8\*1.2cm)x3



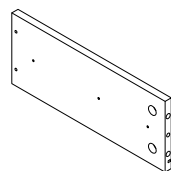
25 (30\*8\*1.2cm)x3



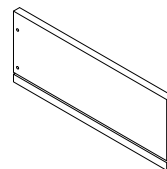
26 (24.1\*8\*1.2cm)x2



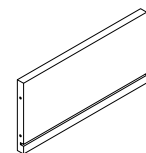
28 (28.4\*18.6\*2cm)x1



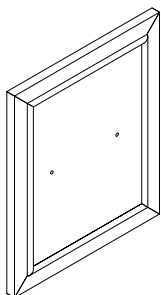
29 (30\*12\*1.2cm)x1



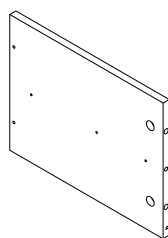
30 (30\*12\*1.2cm)x1



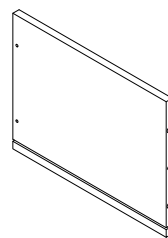
31 (24.1\*12\*1.2cm)x1



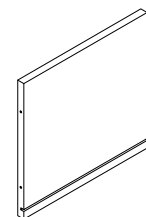
32 (28.4\*34.2\*2cm)x1



33 (30\*23\*1.2cm)x1



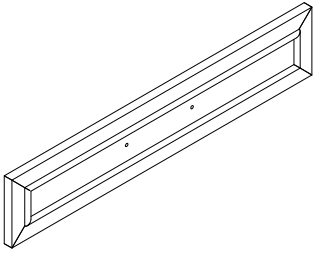
34 (30\*12\*1.2cm)x1



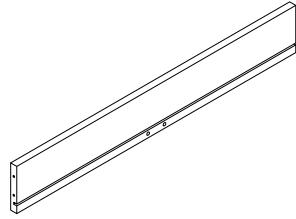
35 (24.1\*23\*1.2cm)x1

# Components - Panels

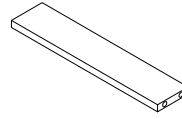
## Part List 1



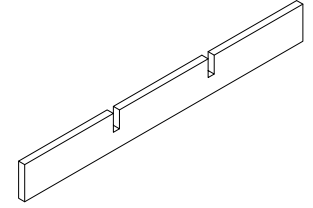
36 (58.7\*11.5\*2cm)x1



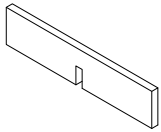
37 (54.6\*8\*1.2cm)x1



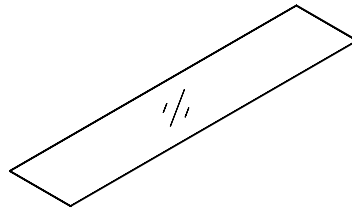
38 (28.6\*6\*1.2cm)x1



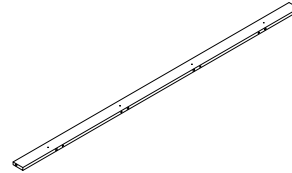
40 (54.5\*6.3\*1.2cm)x1



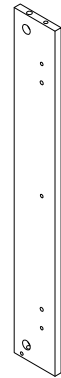
41 (28.5\*6.3\*1.2cm)x2



42 (124.7\*26.5\*0.3cm)x1



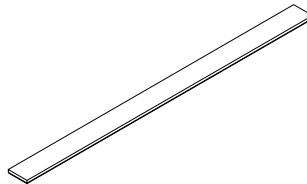
44 (135.1\*4.8\*1.2cm)x1



45 (58.5\*8\*1.2cm)x1



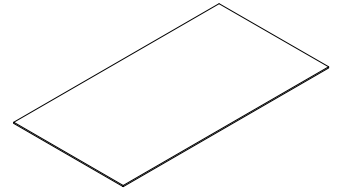
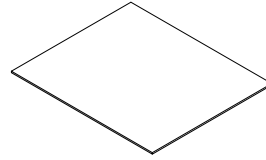
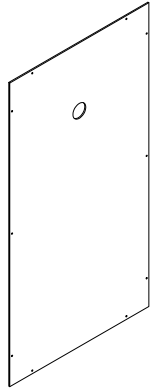
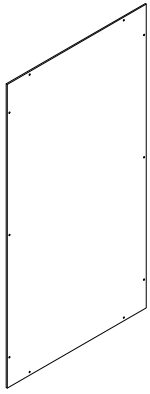
46 (58.5\*8\*1.2cm)x1



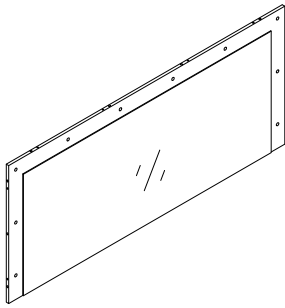
47 (139.6\*9.2\*2.4cm)x1

# Components - Panels

## Part List 2



**19** (71.5\*37.8\*0.3cm)x1 **20** (71.5\*37.8\*0.3cm)x1 **27** (25.2\*29.7\*0.3cm)x4 **39** (55.7\*29.7\*0.3cm)x1



**43** (135.1\*58.5\*1.5cm)x1

# Components - Fittings

## Part List 1

Please check you have all the fittings listed below

**Note:** The quantities below are the correct amount to complete the assembly. in some cases more fittings may be supplied than are required.



7\*34mm Cam Bolt x 120+4



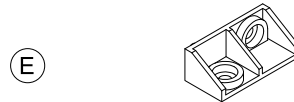
Cam Lock x 120+4



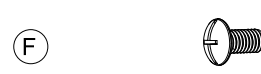
6\*30mm Wooden Dowel x 84+4



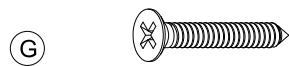
Shelf Pin x 4



Plastic Connector x 12



Ø1/4"x12mm Screw x 24+2



Ø3.9x30mm Screw x 40+4



Handle x 6



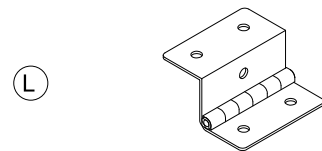
Ø5/32"x10mm Screw x 10+1



Ø5/32"x19mm Screw x 2



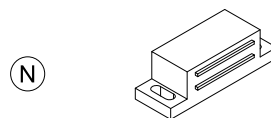
Ø3.5\*12mm Screw x 62+4



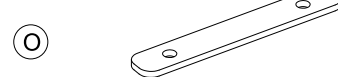
Hinge x 2



Ø3.9\*15mm Screw x 14+1



Magnet x 1



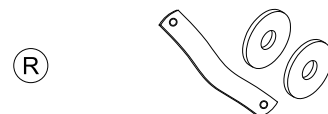
Sheet iron x 1



Ø3.5\*16mm Screw x 22+2



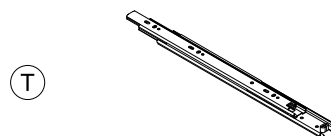
Protective foot x 16



x 2



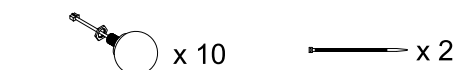
x 2



Slide rail x 10



Socket x 1

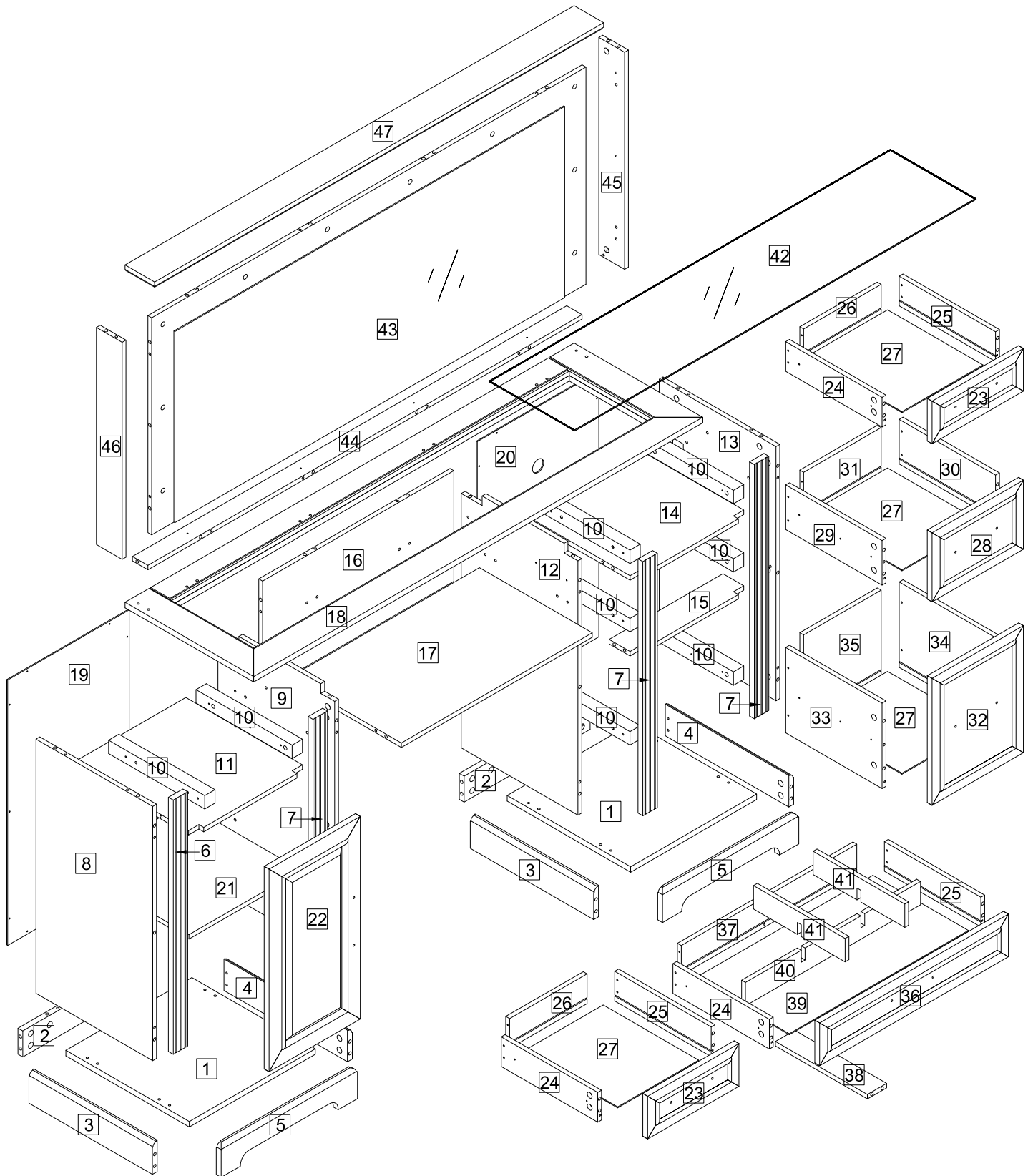


Lamp and Mirror



Lamp and Mirror

# Assembly Instructions

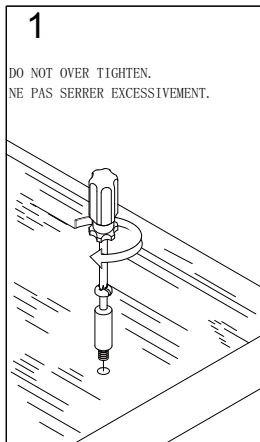




# Using Camlocks

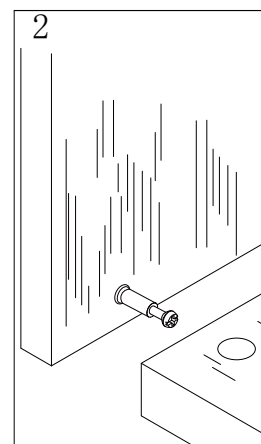
## Step 1

Connect the male camlock as directed in the assembly instructions using a screwdriver.



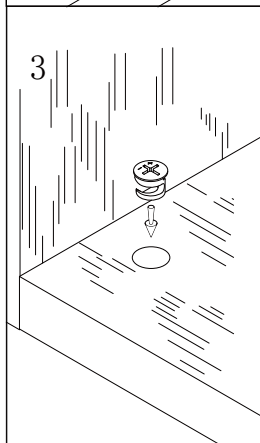
## Step 2

Push the male camlock into the entry hole.



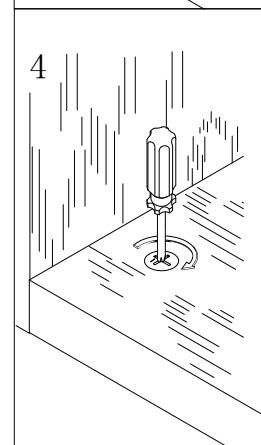
## Step 3

Insert the female camlock as shown in the instructions.  
Note: ensure that the arrow on the top of the camlock points towards the entry hole for the male camlock.

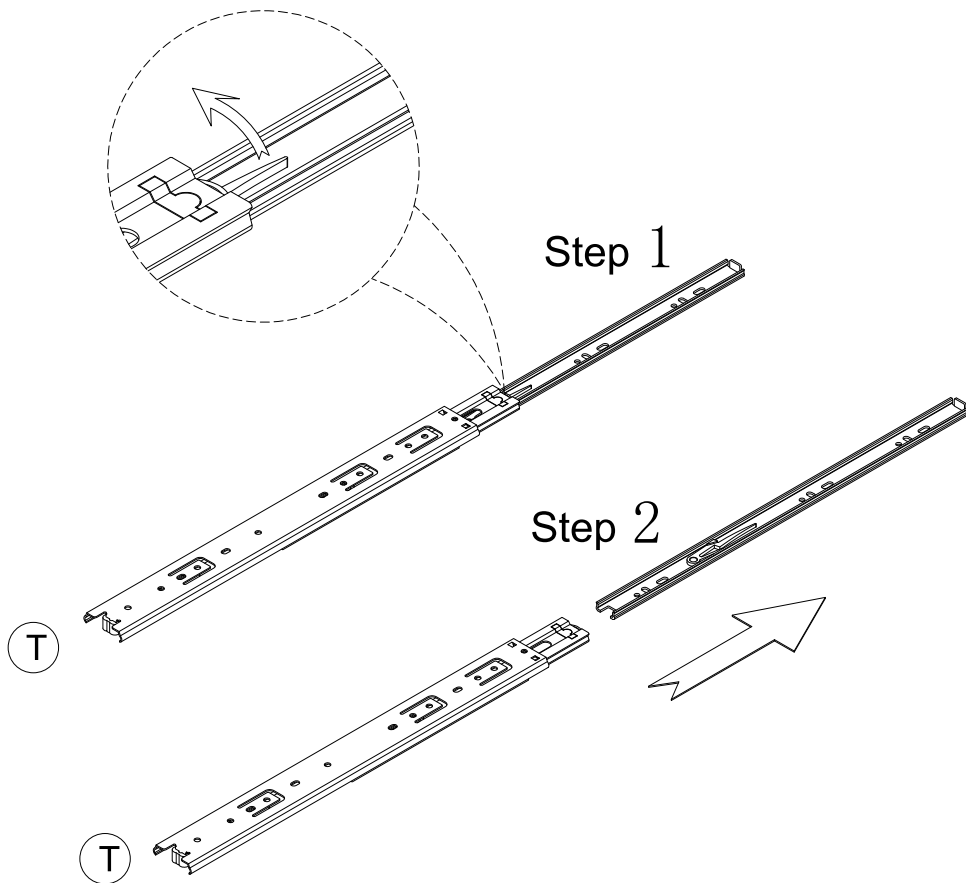


## Step 4

Turn the female camlock clockwise with a screw driver.  
You should feel a click when the camlock is locked in place.  
The joint is now secure.



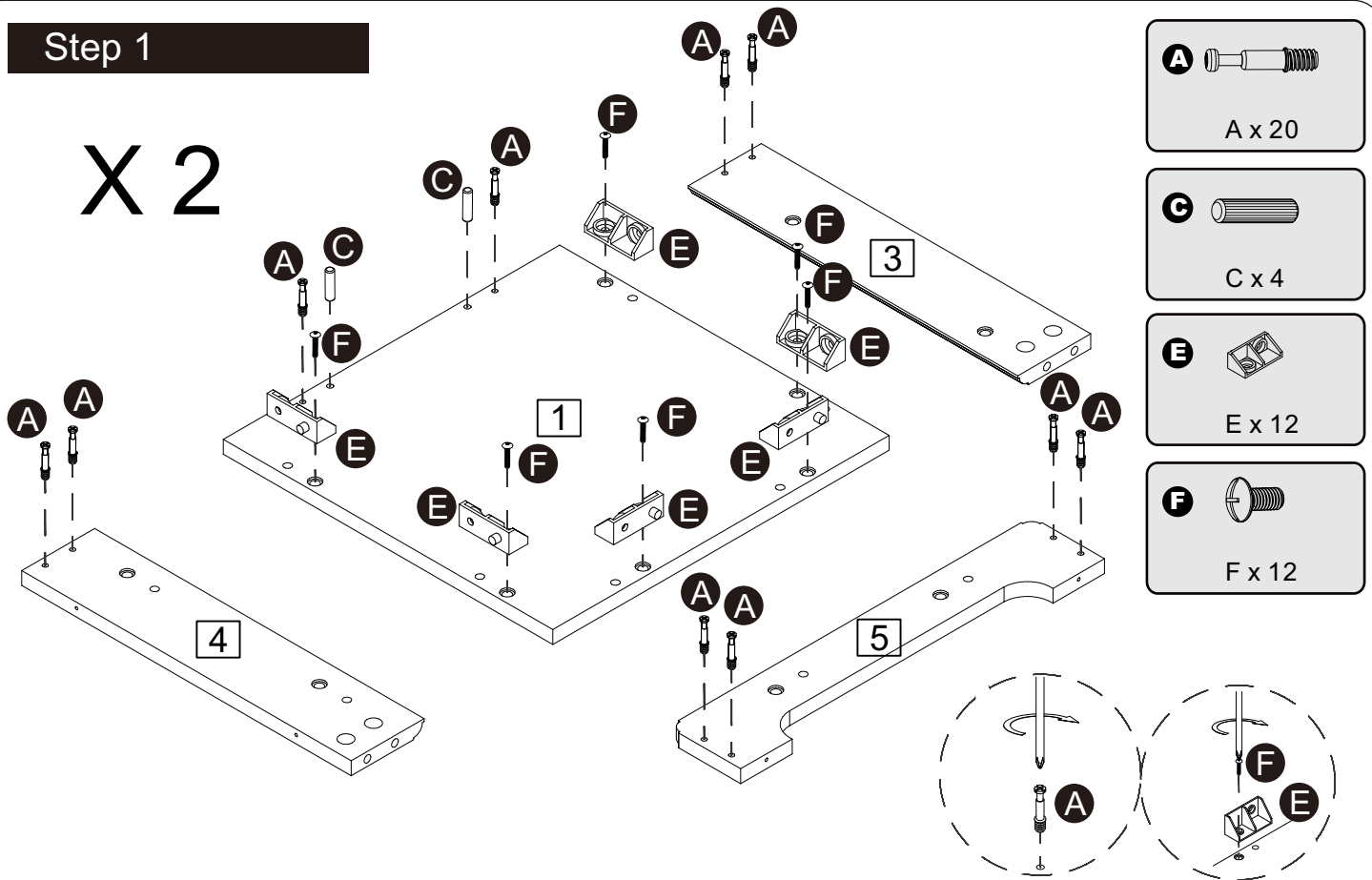
The plastic piece is pushed up and pulled out of the sub-rail



# Assembly Instructions

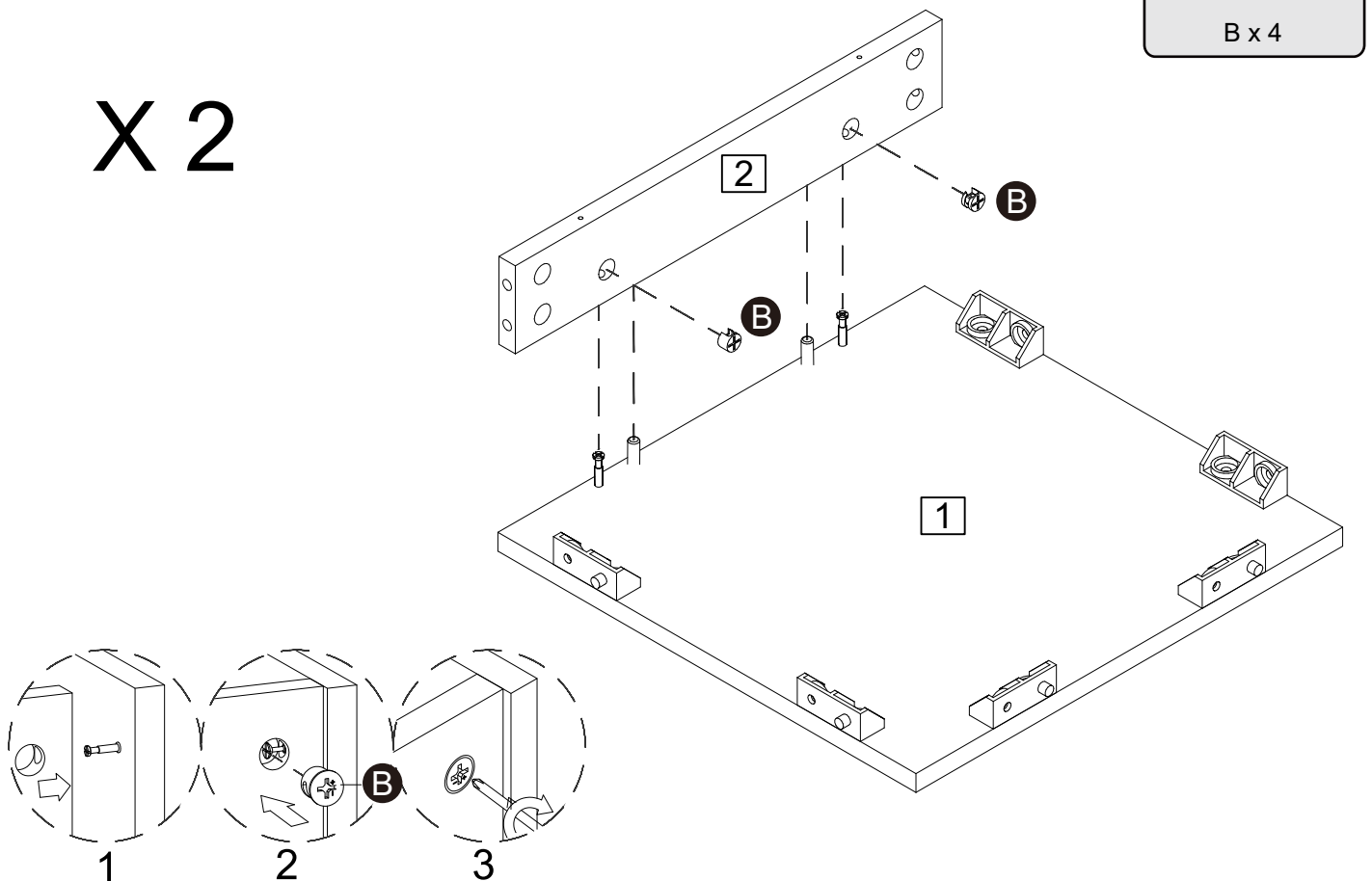
## Step 1

X 2



## Step 2

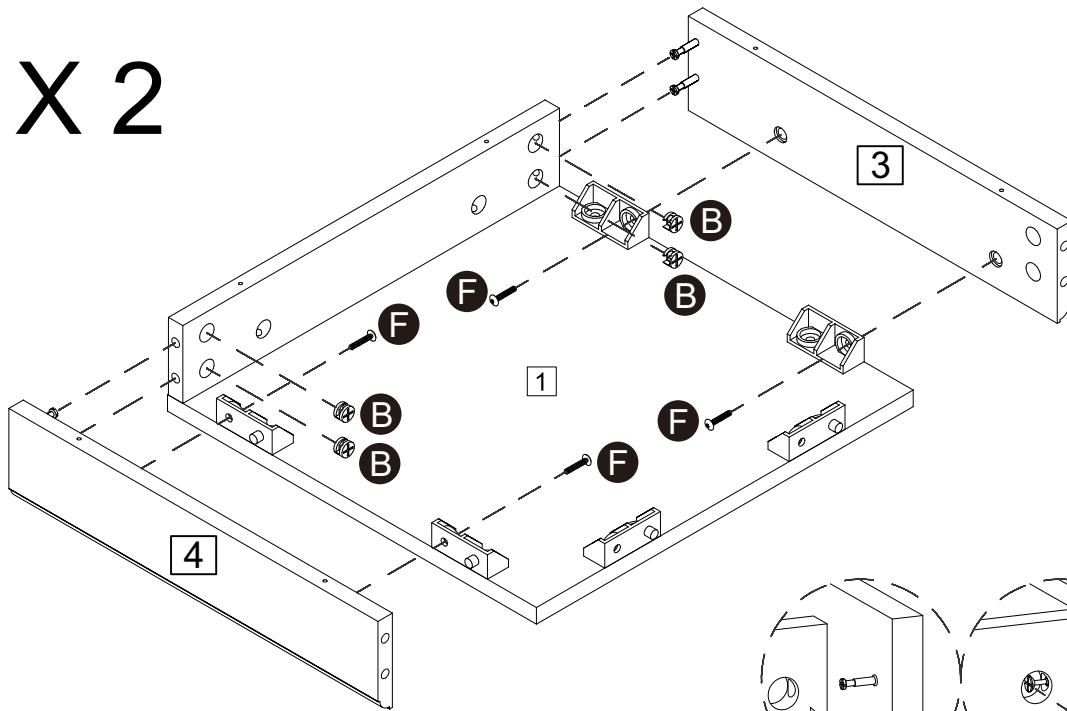
X 2



# Assembly Instructions

## Step 3

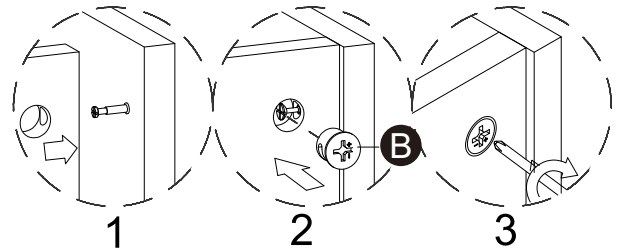
X 2



B x 8

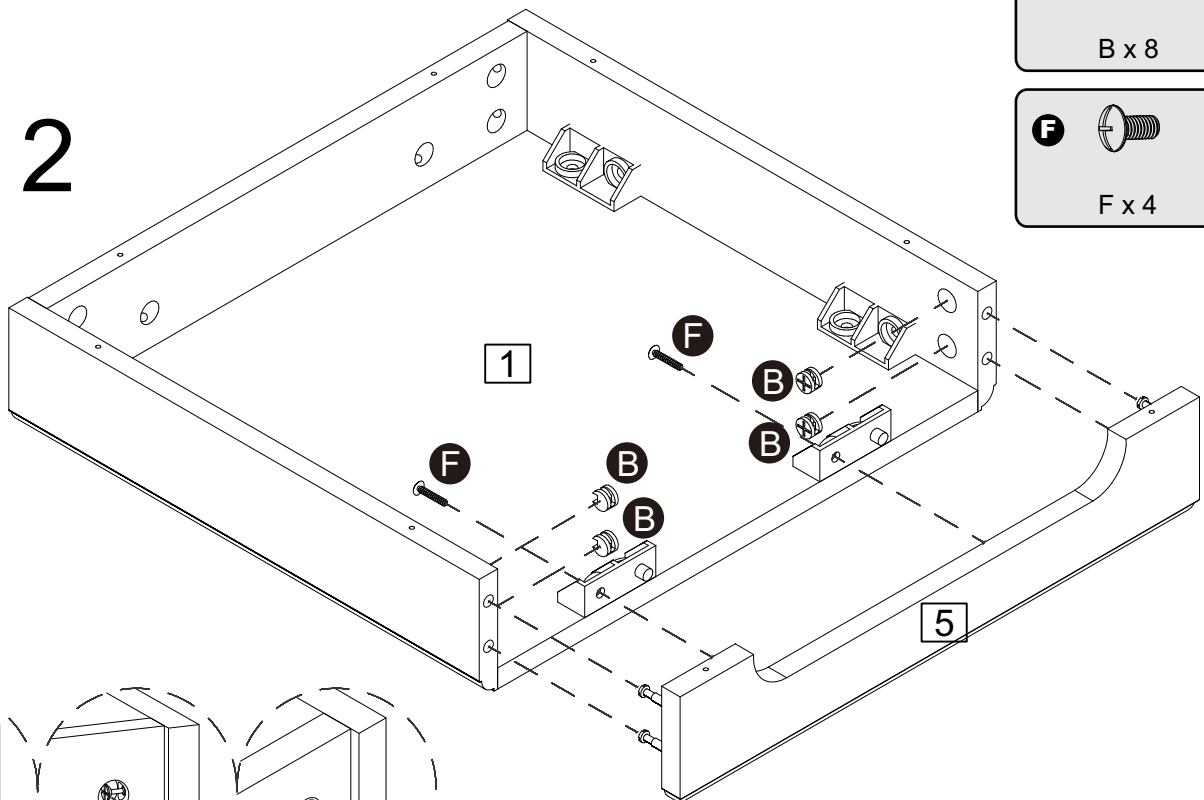


F x 8



## Step 4

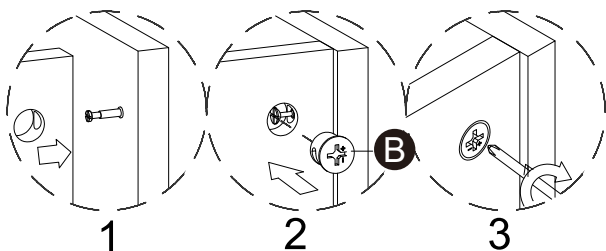
X 2



B x 8



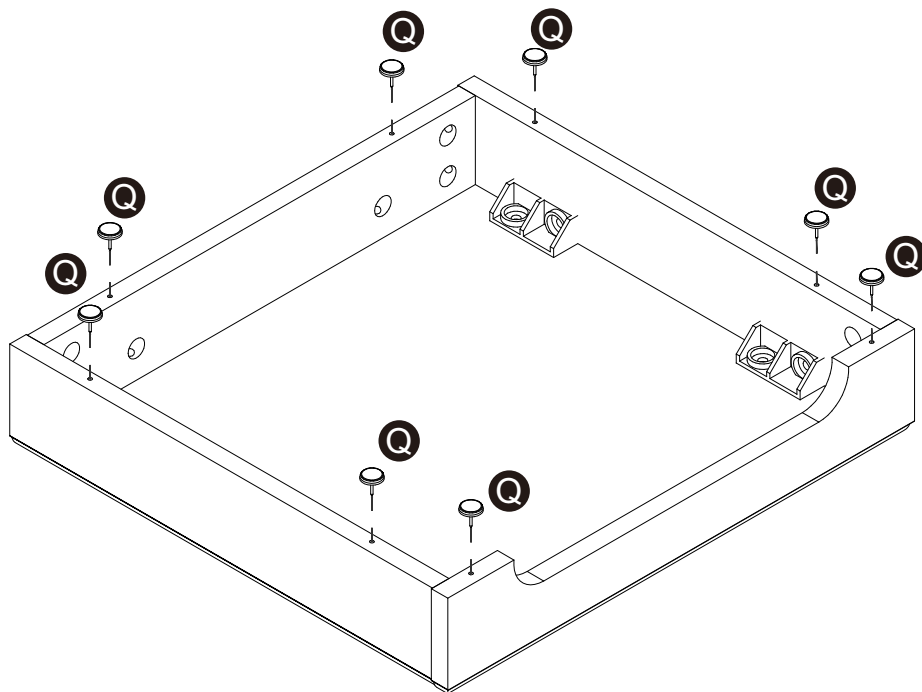
F x 4



# Assembly Instructions

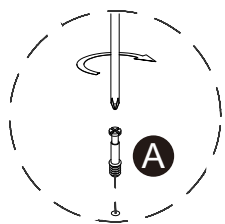
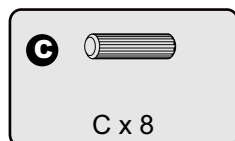
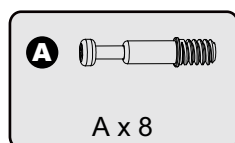
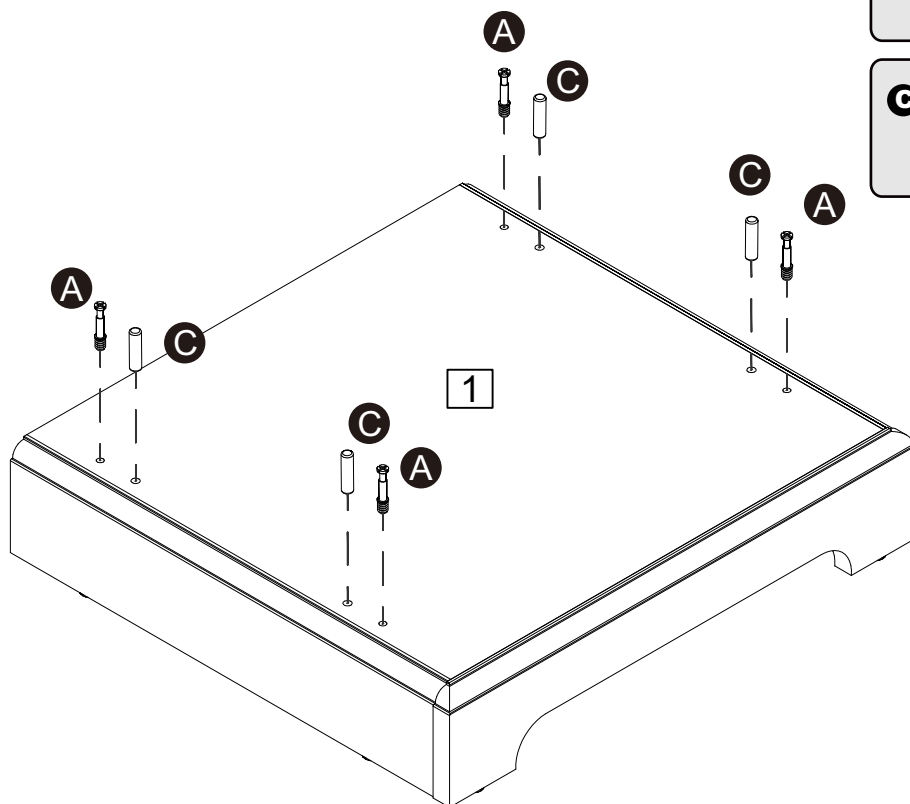
## Step 5

X 2



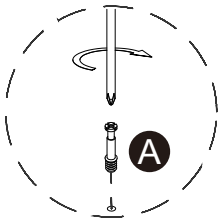
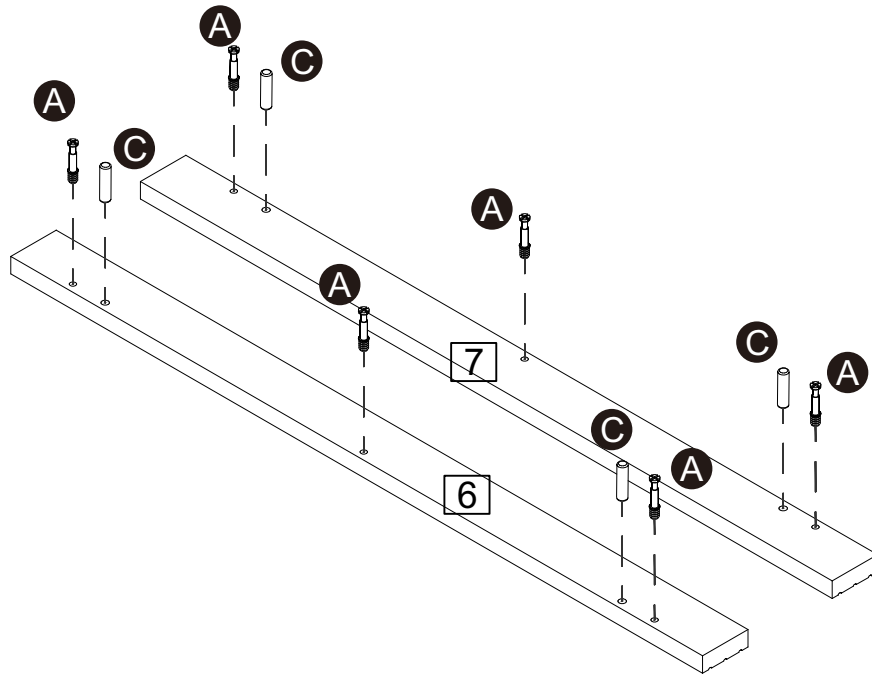
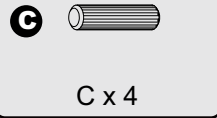
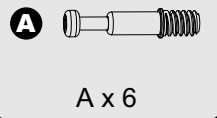
## Step 6

X 2

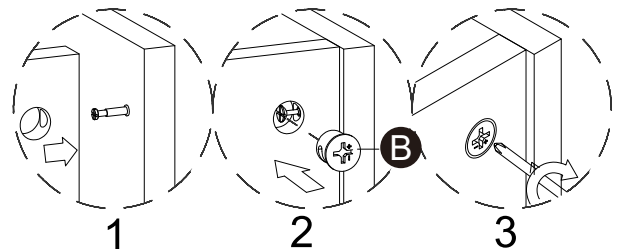
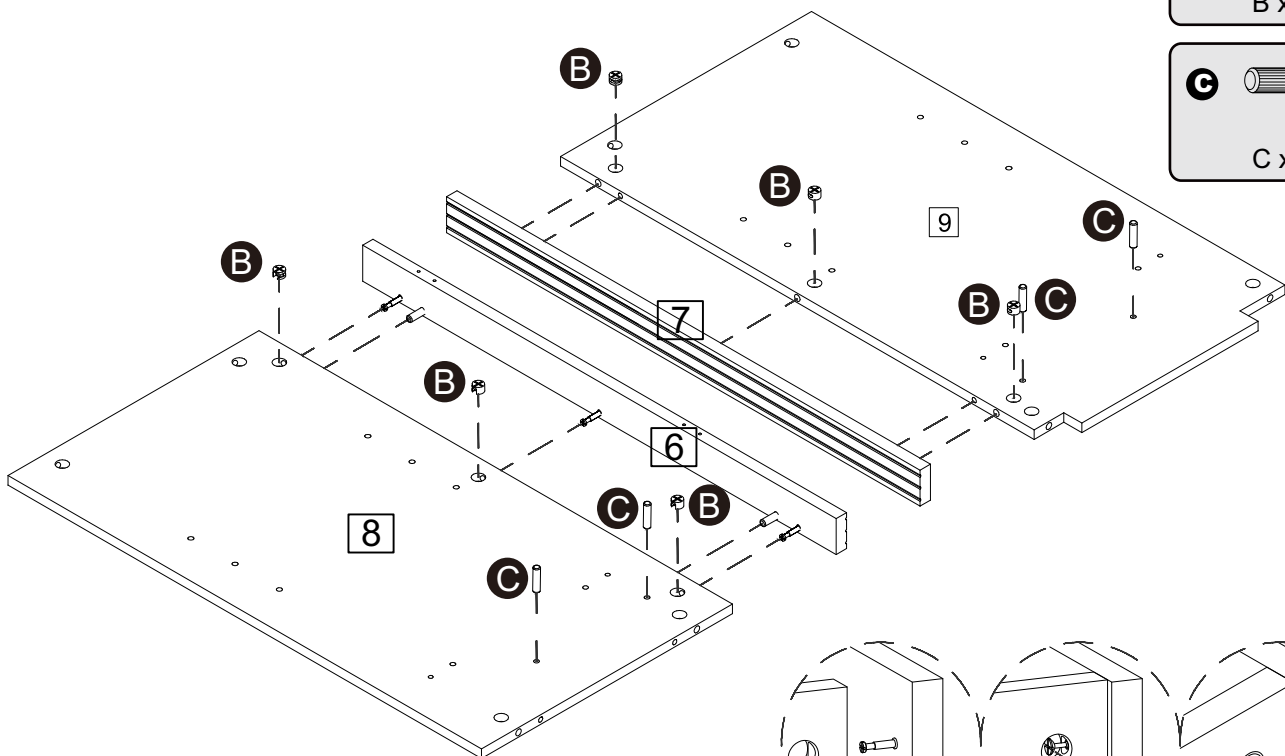
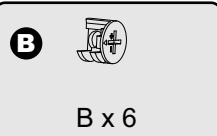


# Assembly Instructions

## Step 7

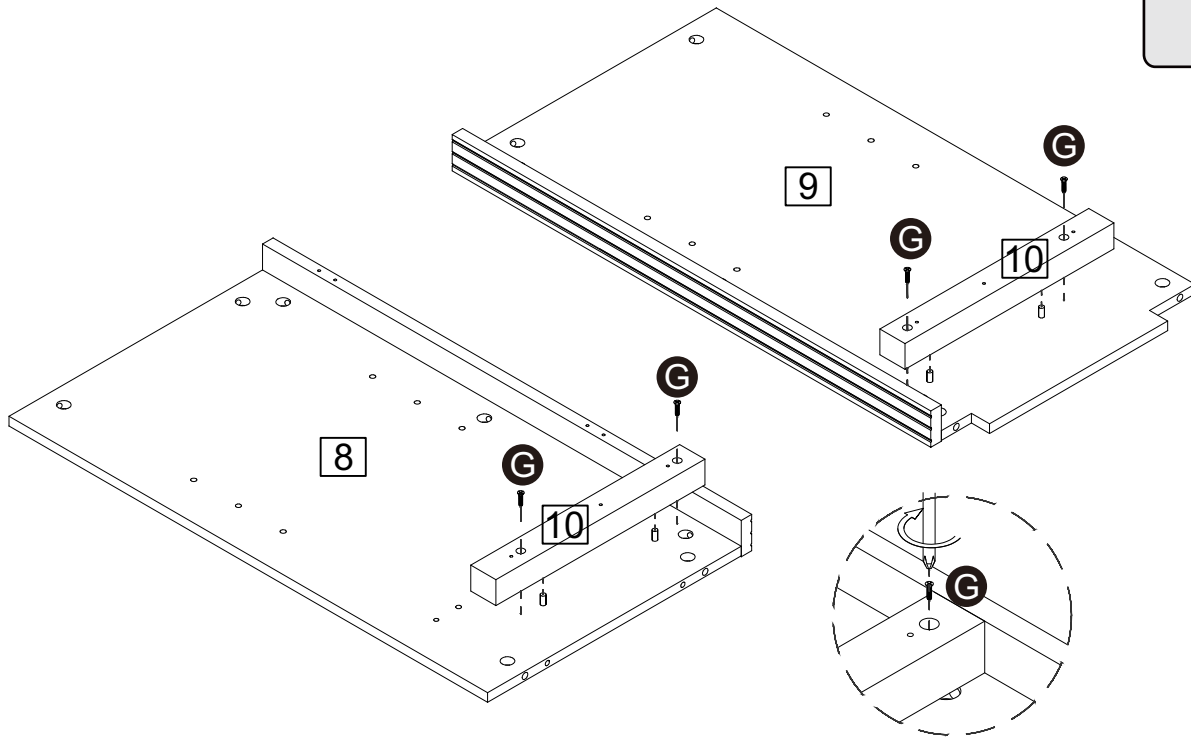


## Step 8



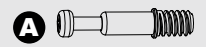
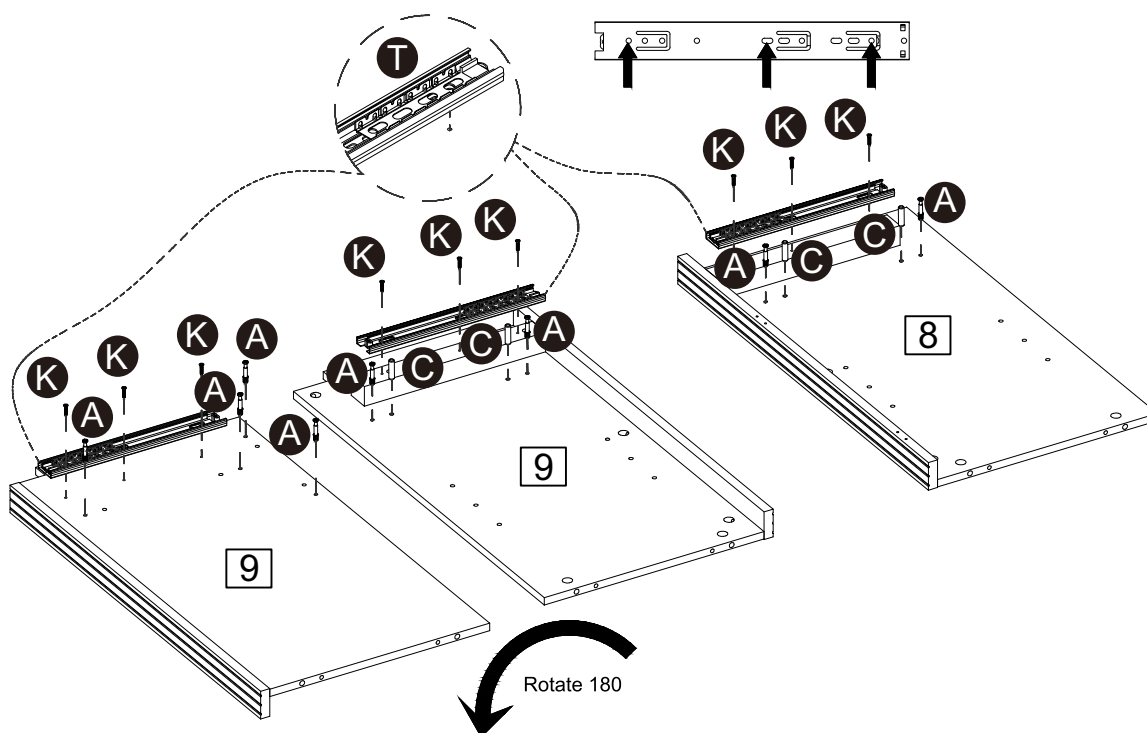
# Assembly Instructions

## Step 9



G x 4

## Step 10



A x 8



C x 4



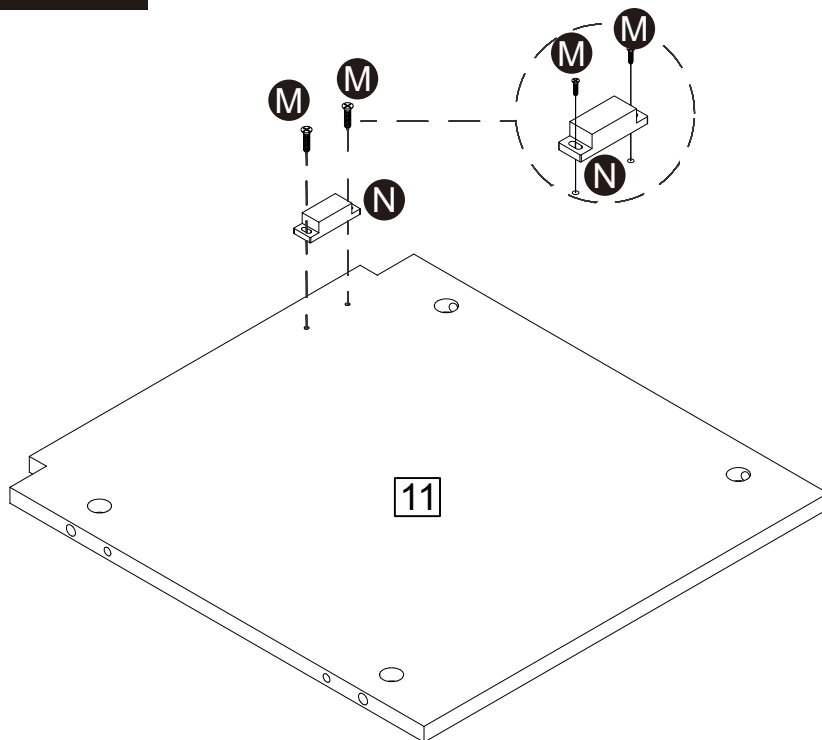
K x 9



T x 3

# Assembly Instructions

## Step 11

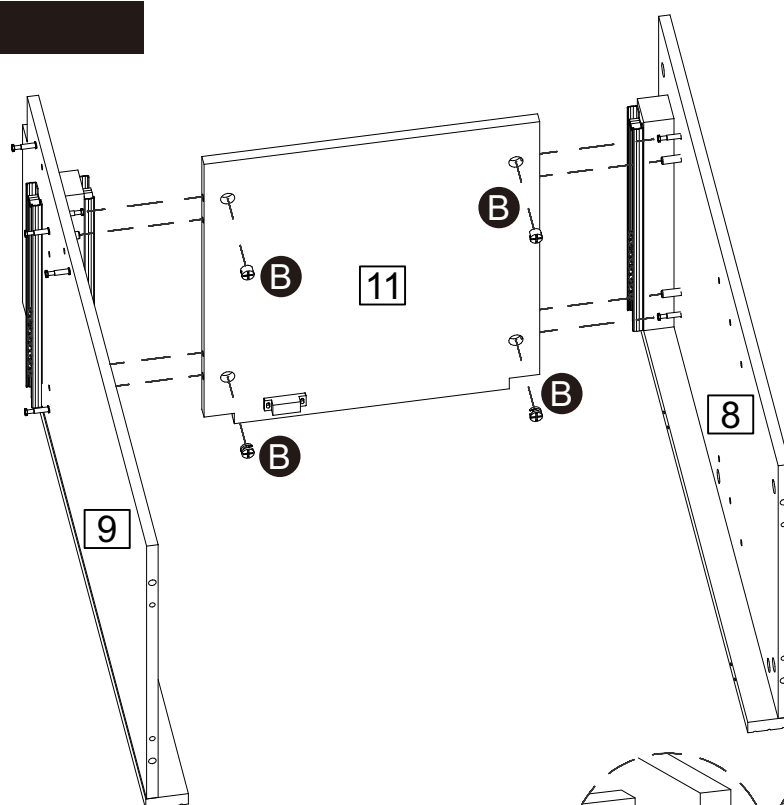


N x 1

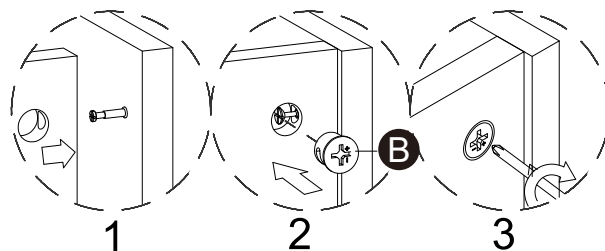


M x 2

## Step 12



B x 4



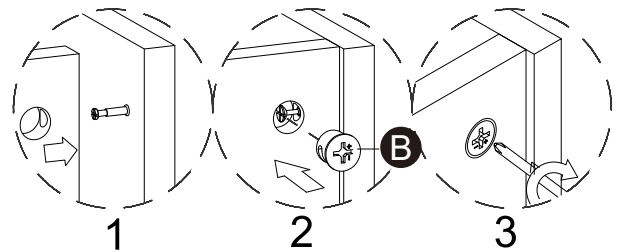
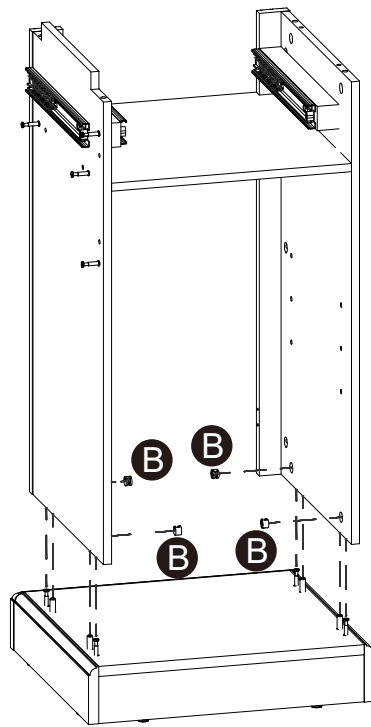


# Assembly Instructions

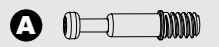
## Step 13



B x 4



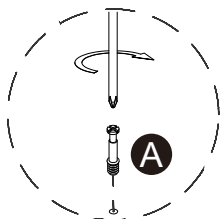
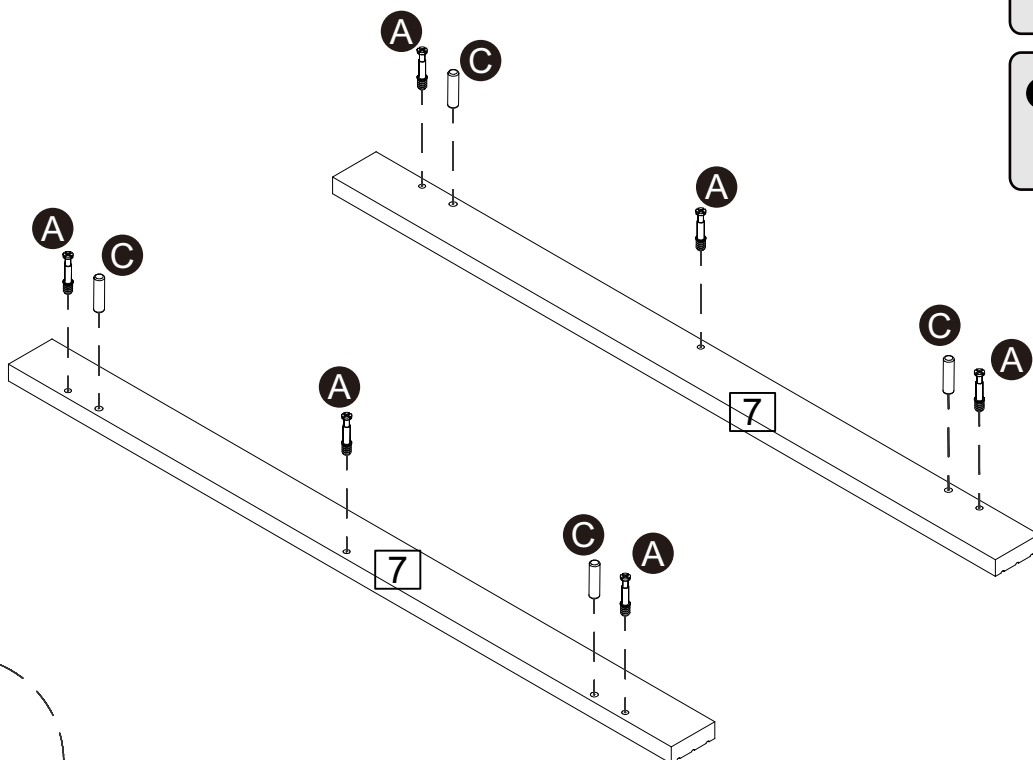
## Step 14



A x 6

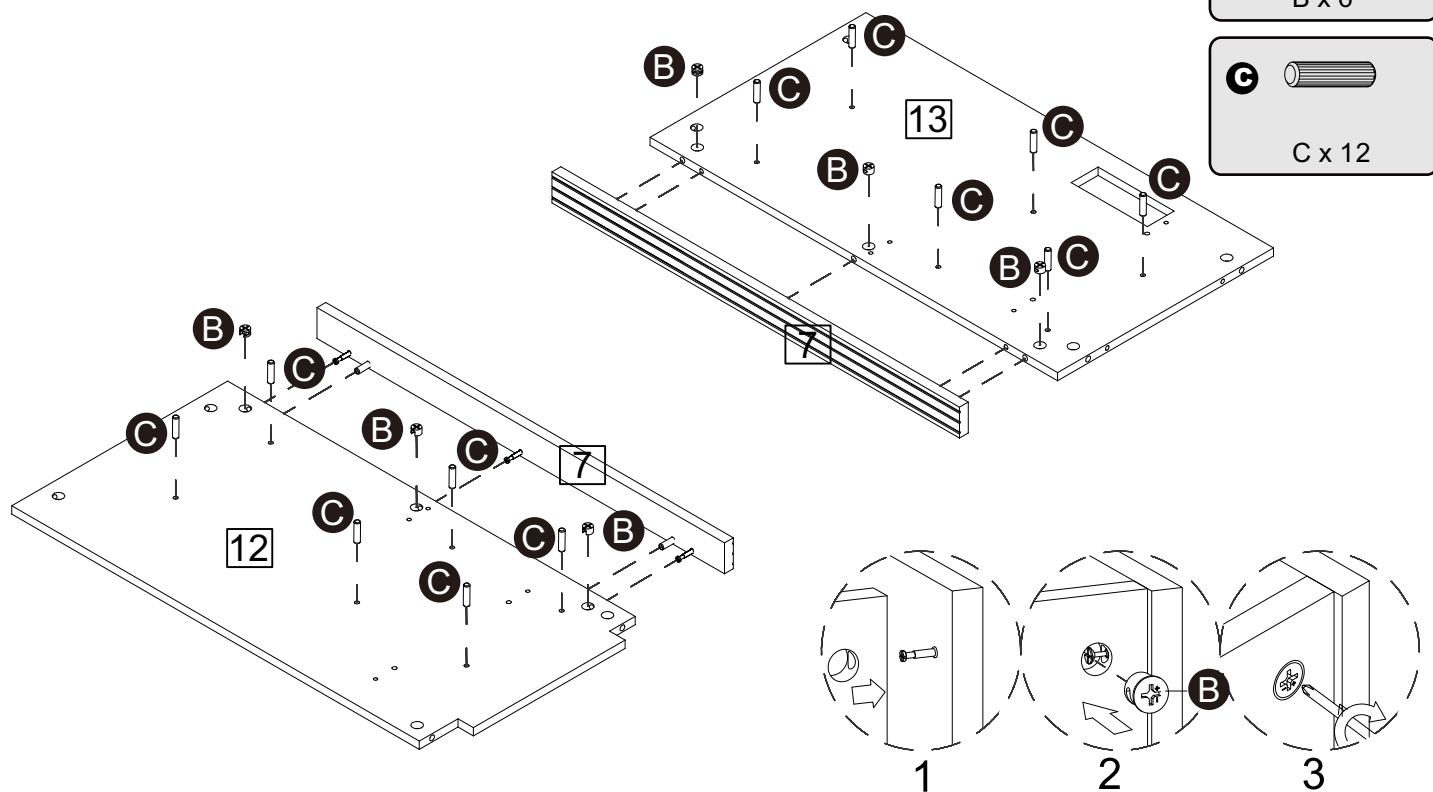


C x 4

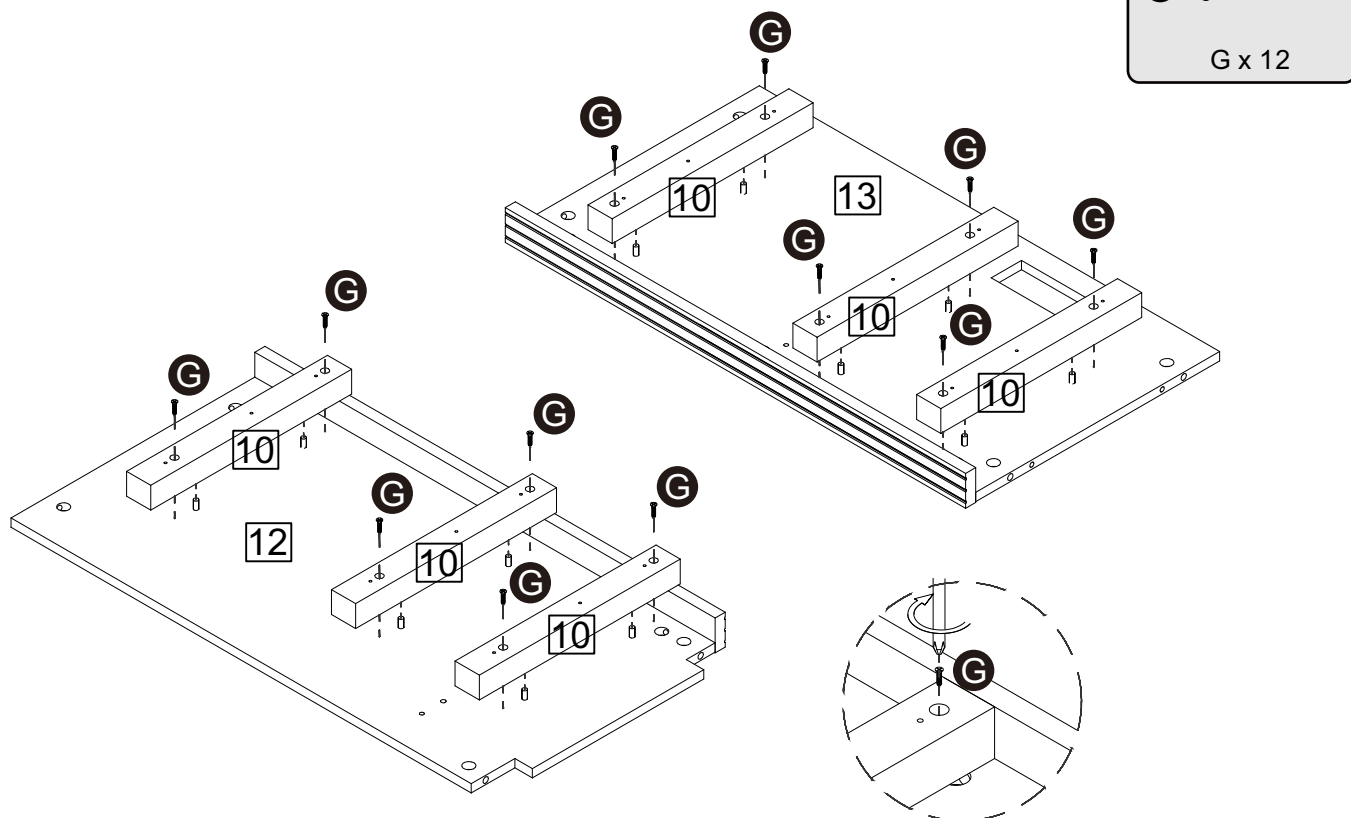


# Assembly Instructions

## Step 15

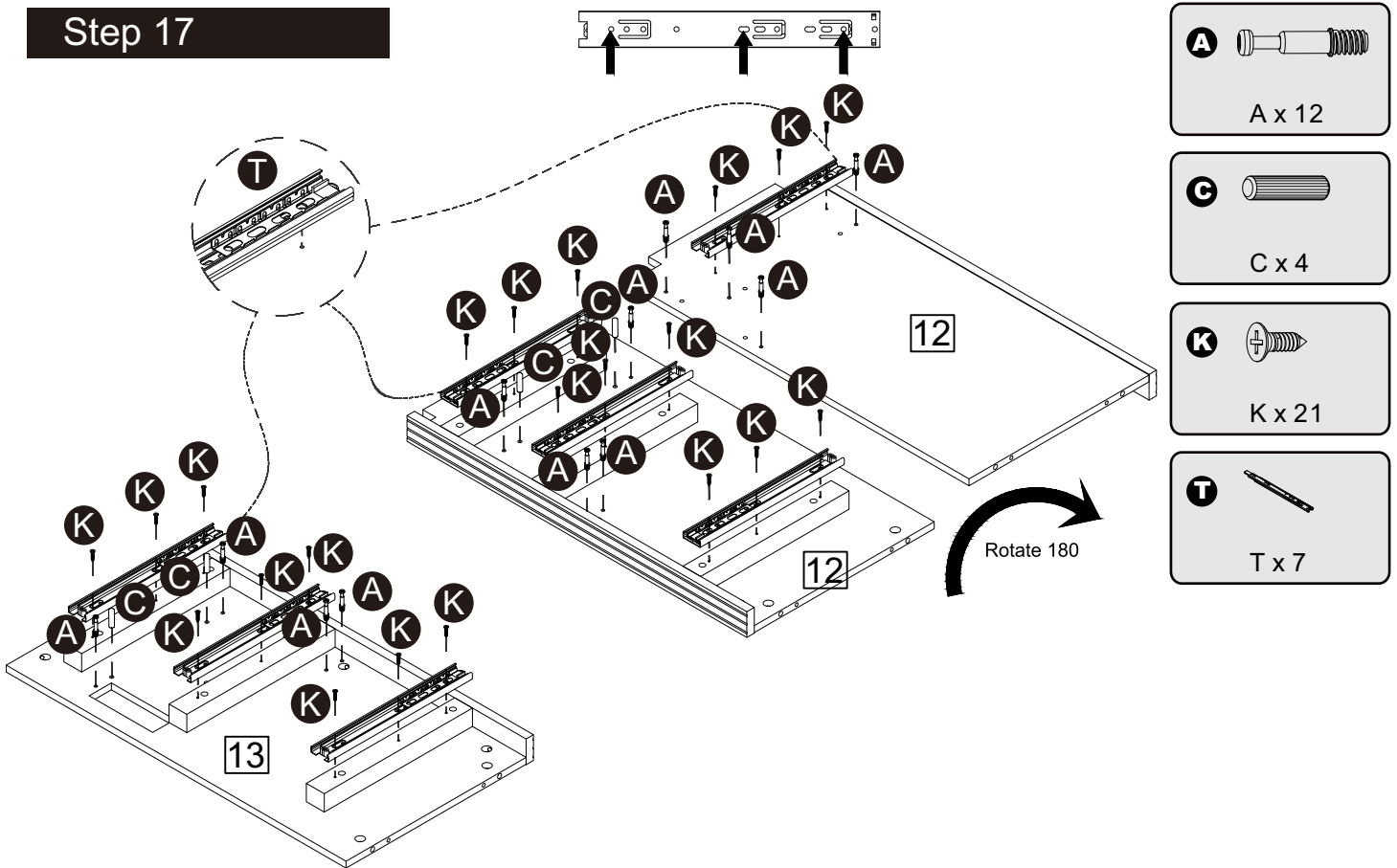


## Step 16

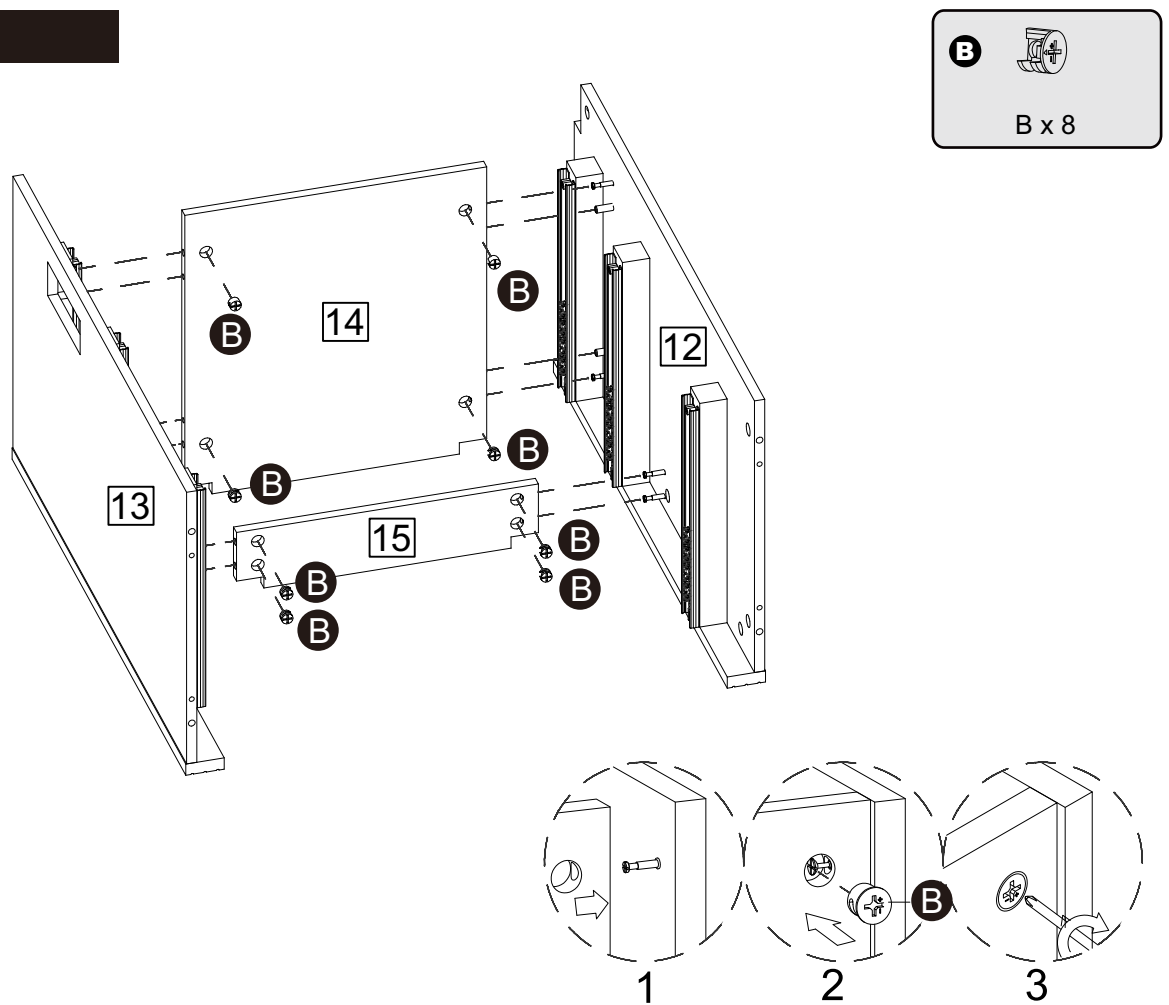


# Assembly Instructions

## Step 17

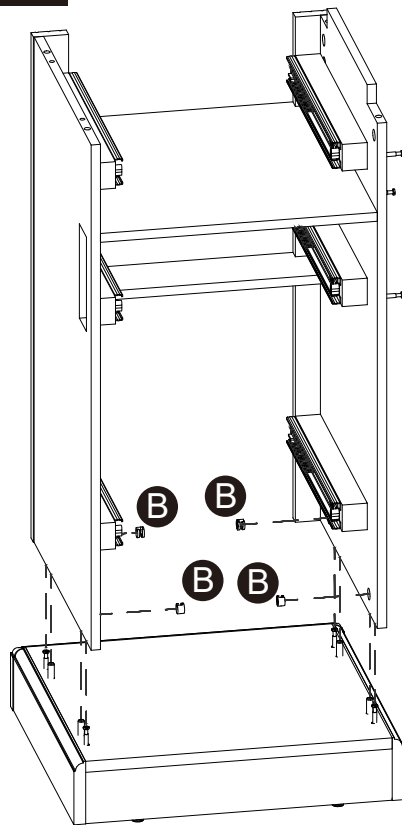


## Step 18

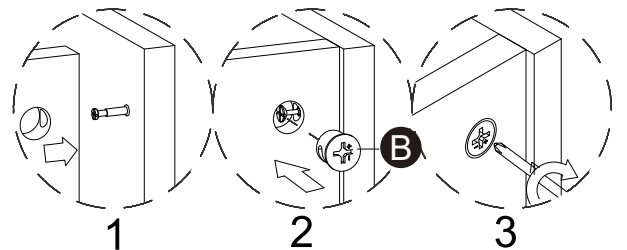


# Assembly Instructions

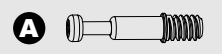
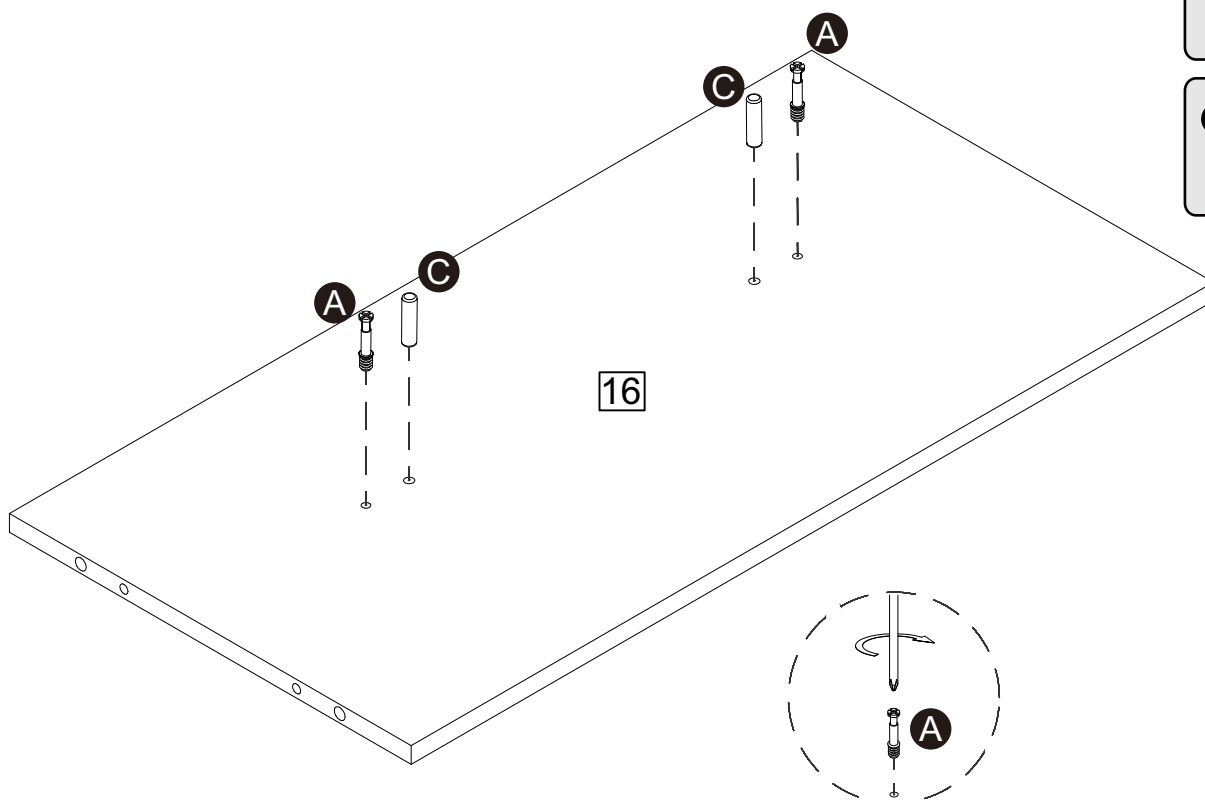
## Step 19



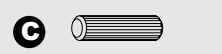
B x 4



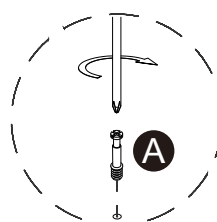
## Step 20



A x 2

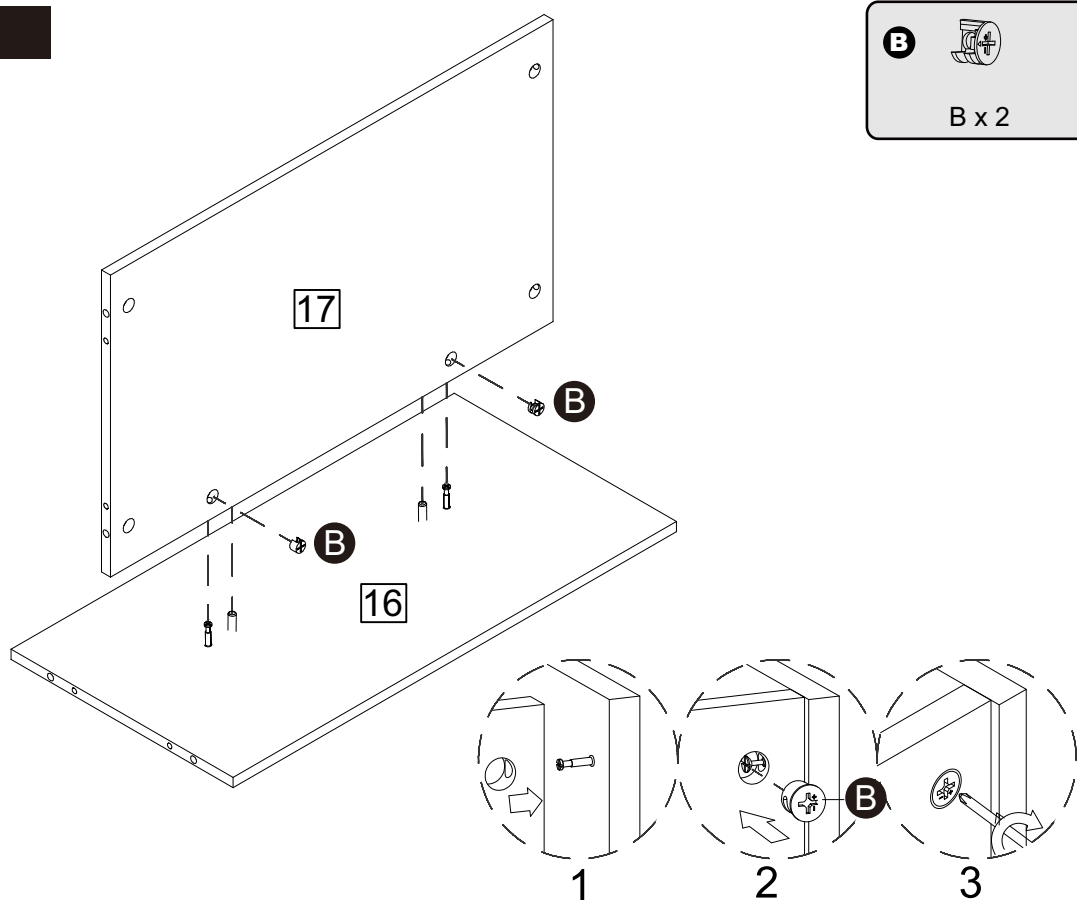


C x 2

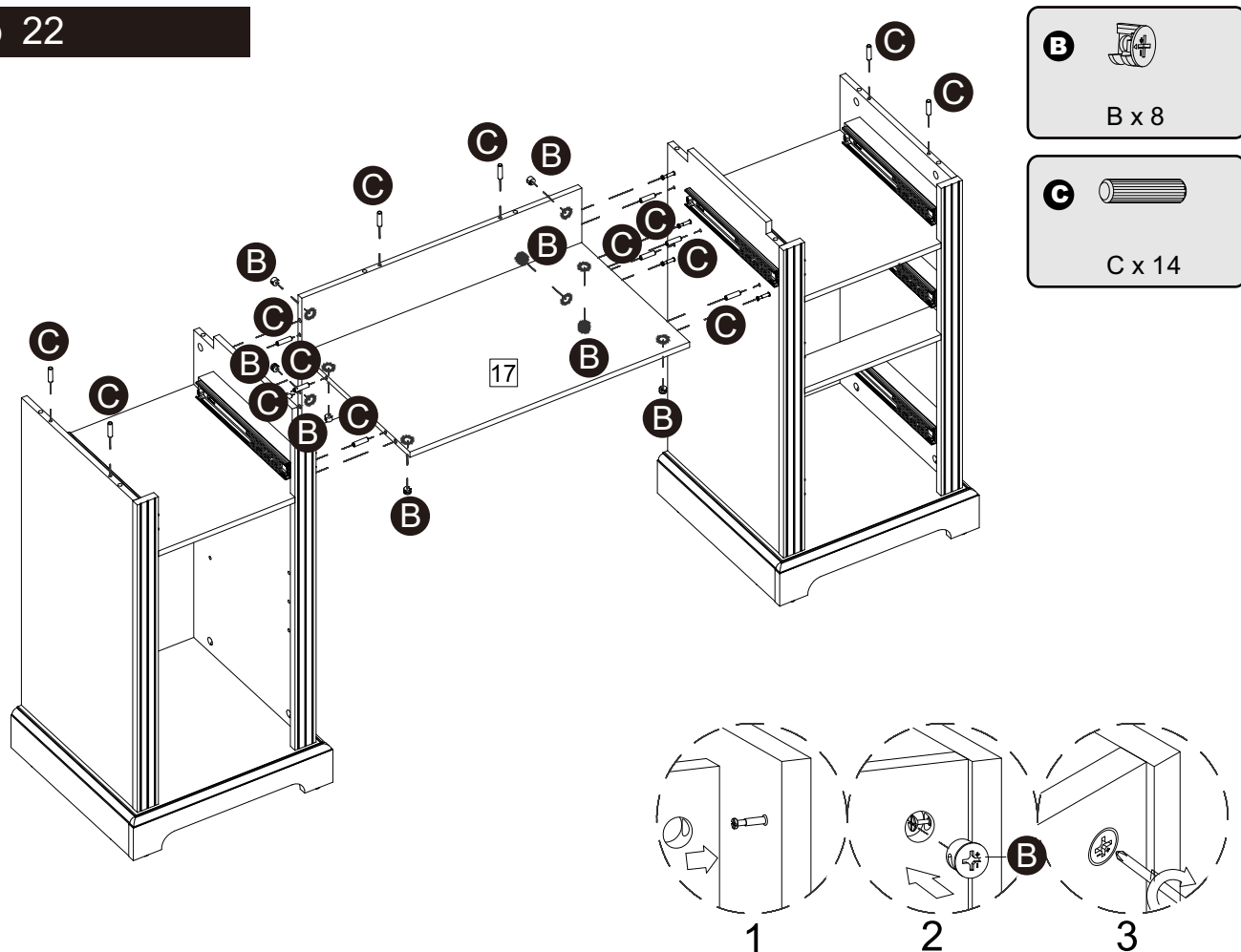


# Assembly Instructions

## Step 21

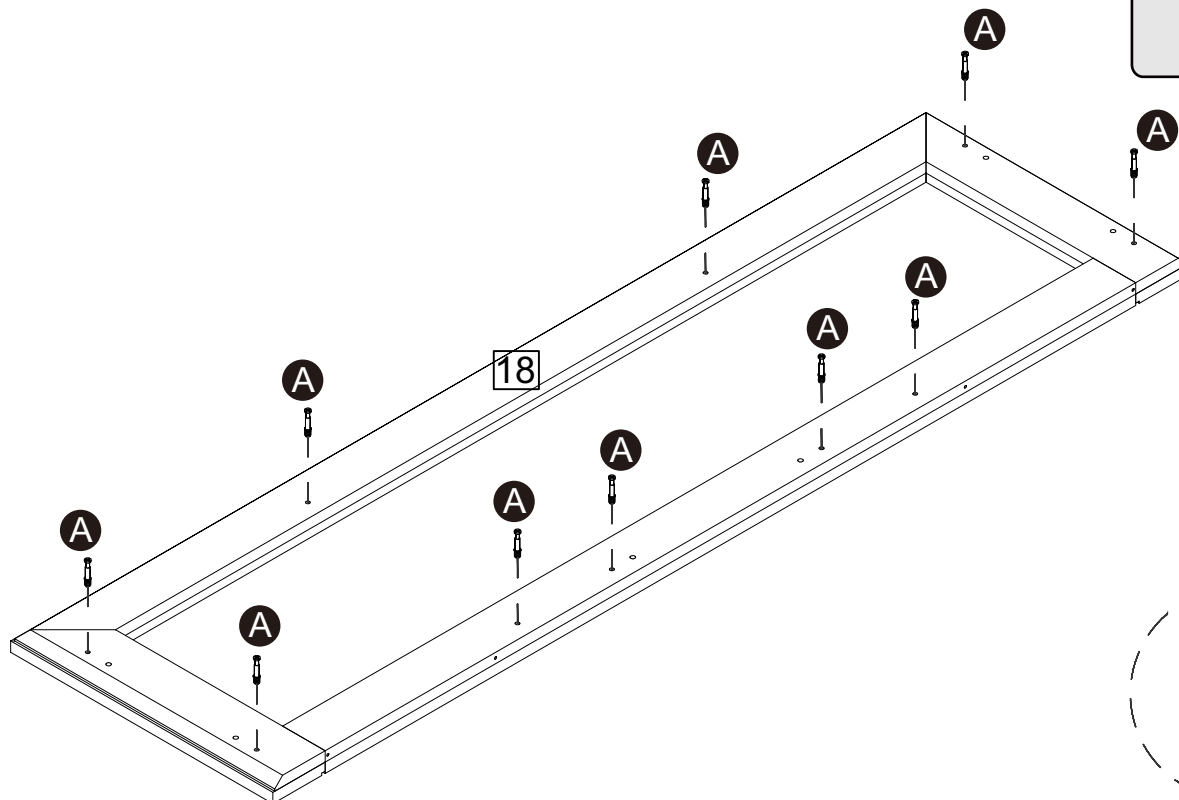


## Step 22

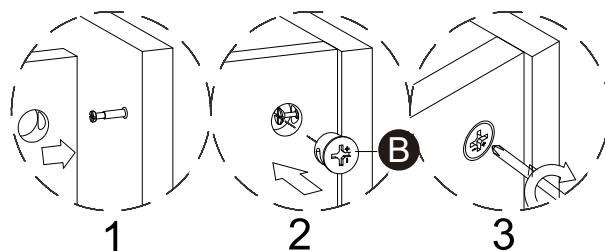
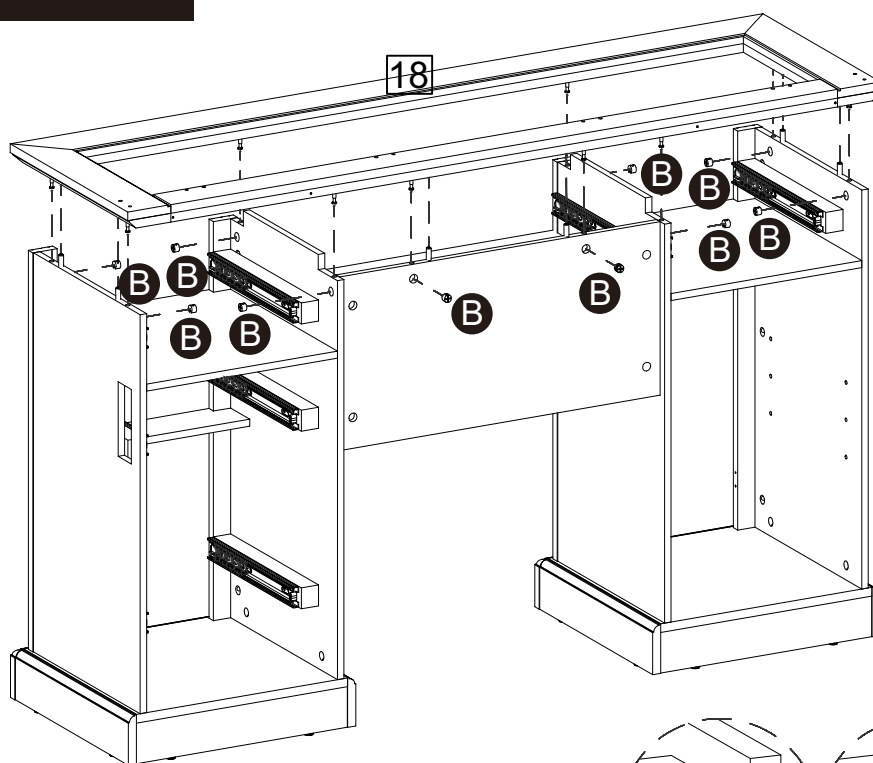


# Assembly Instructions

## Step 23

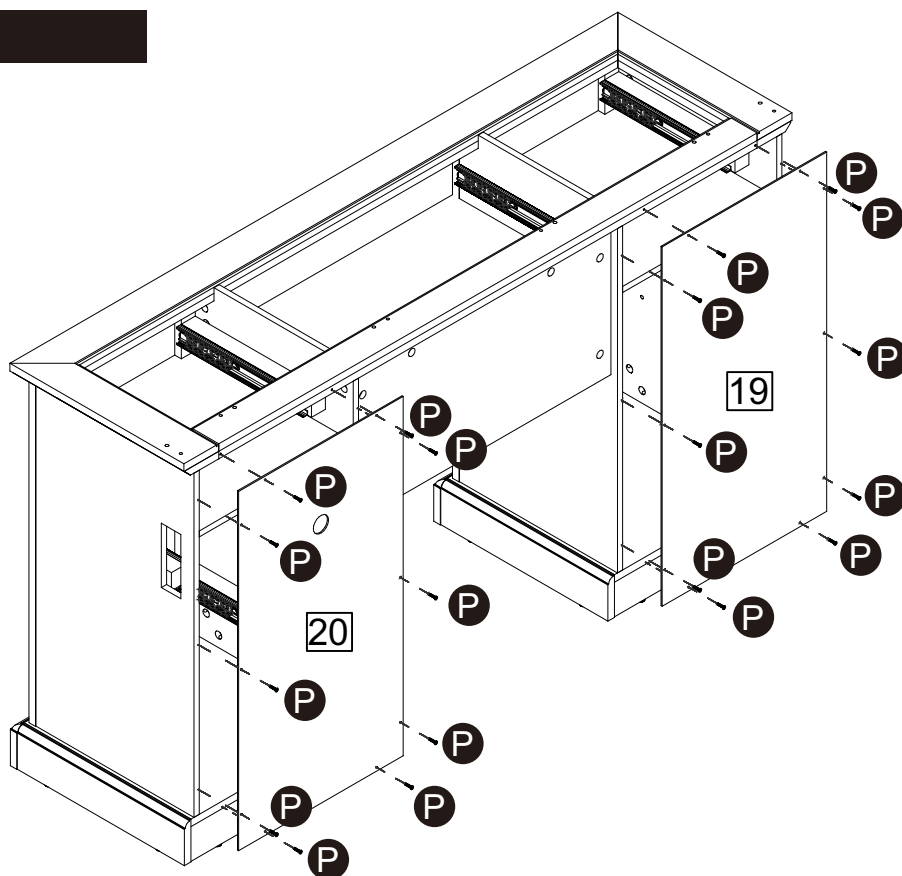


## Step 24



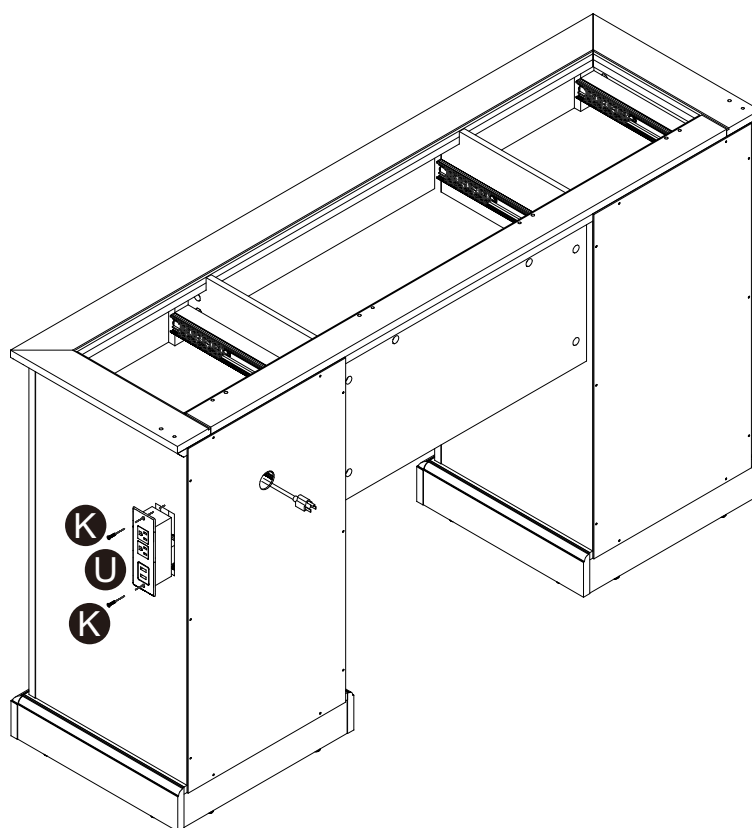
# Assembly Instructions

## Step 25



P x 20

## Step 26



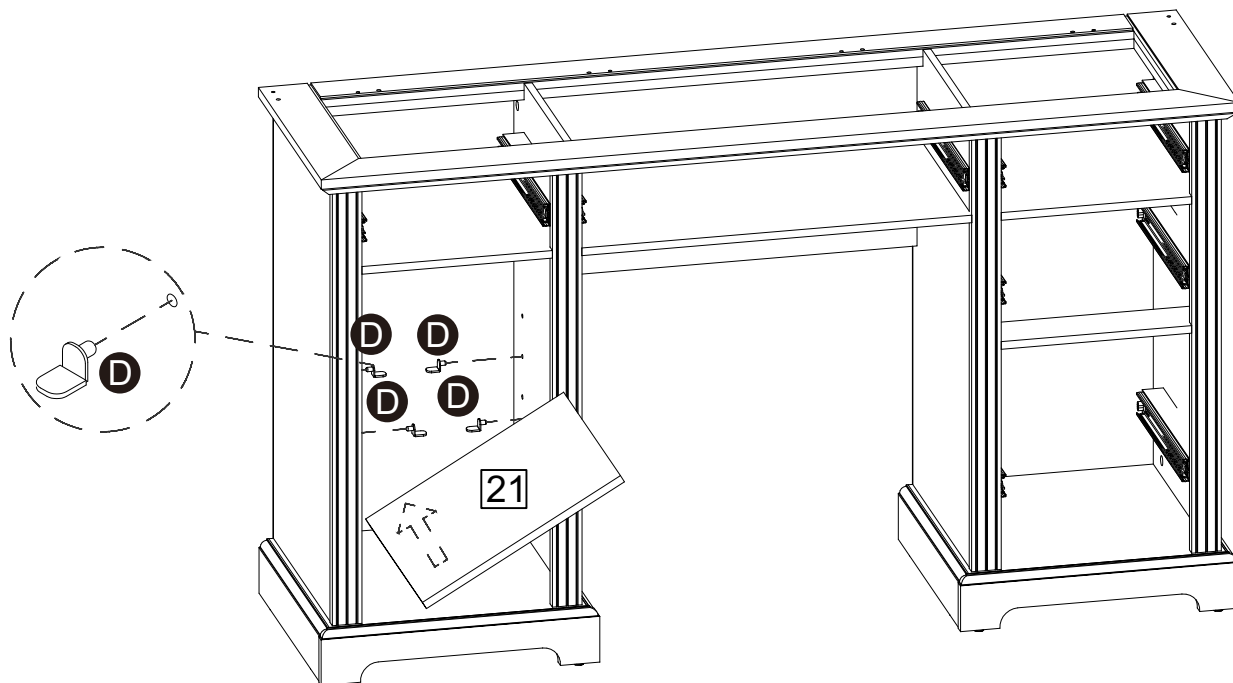
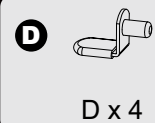
U x 1



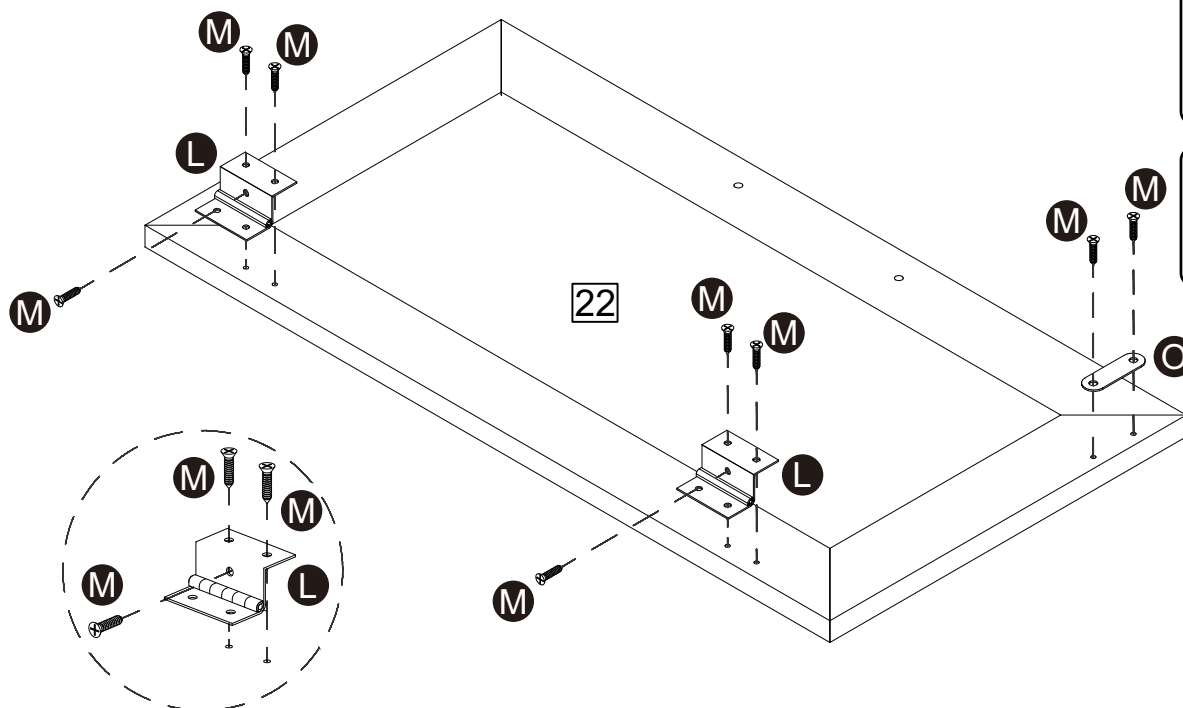
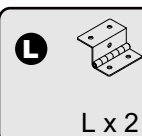
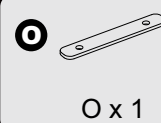
K x 2

# Assembly Instructions

## Step 27



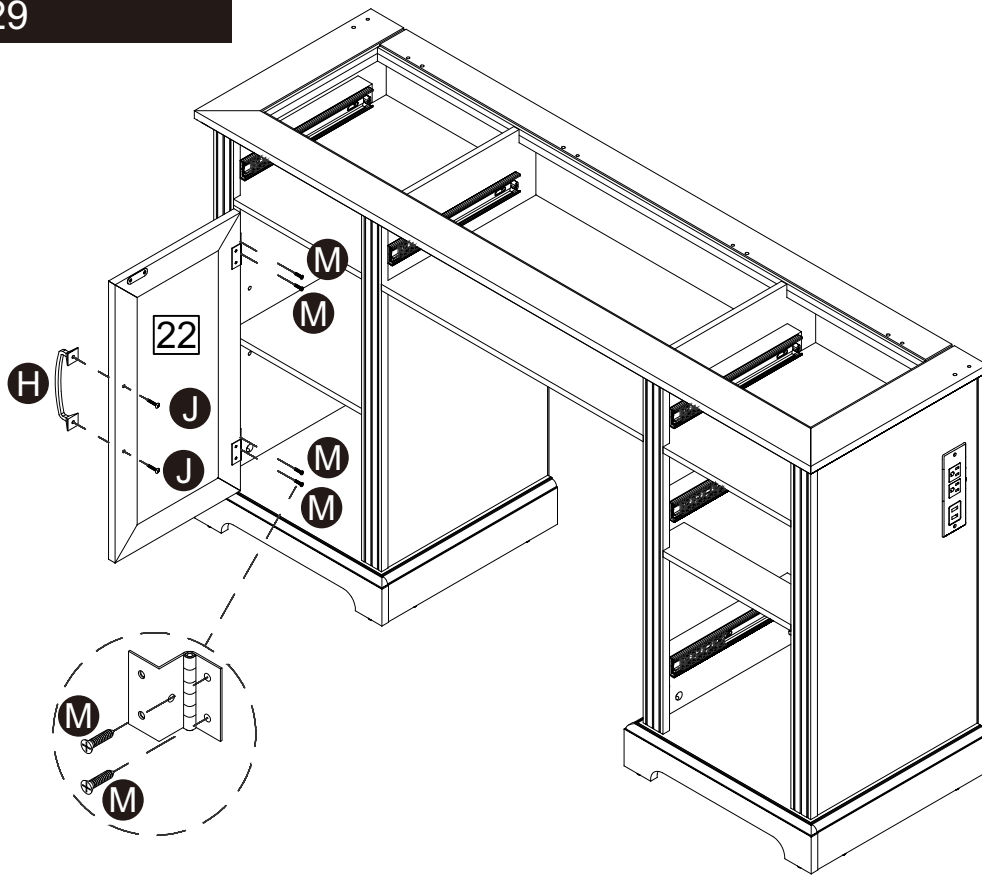
## Step 28





# Assembly Instructions

## Step 29



M x 4

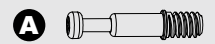
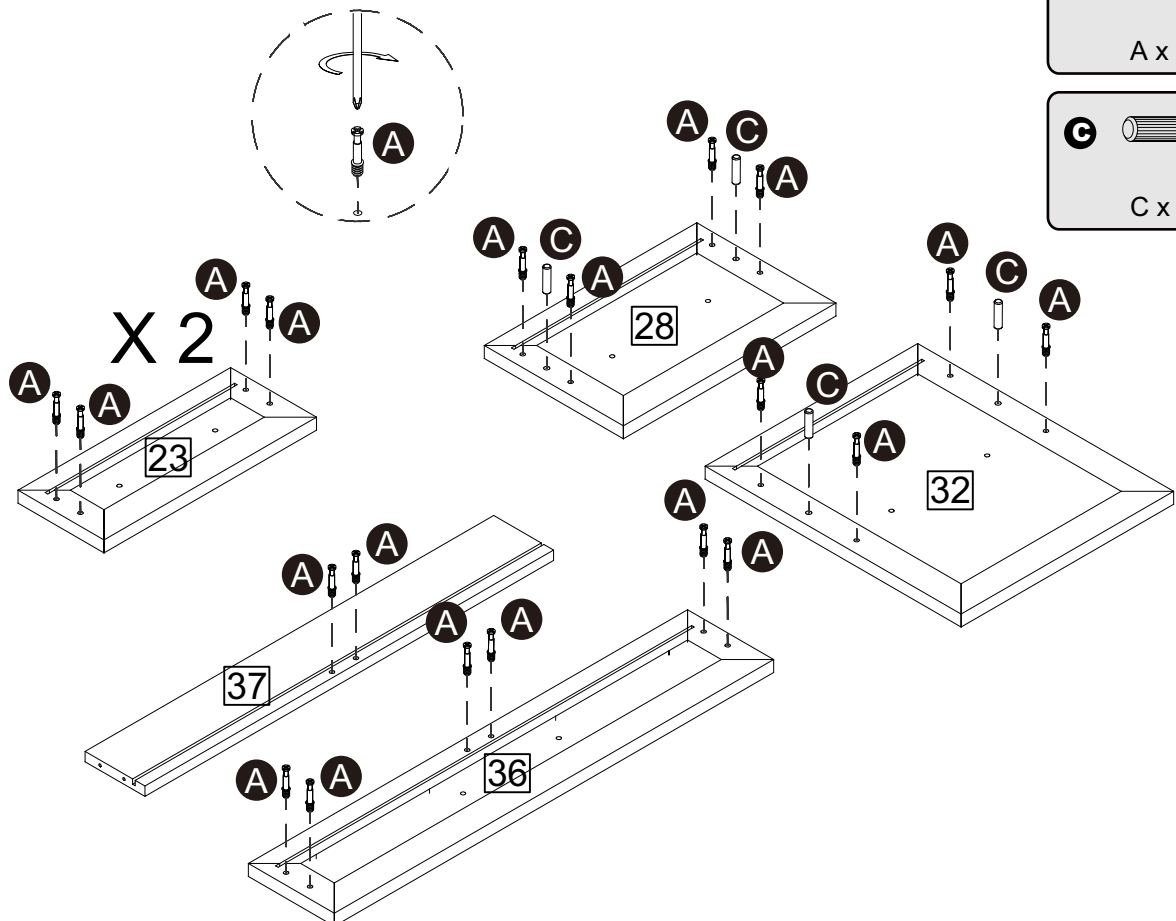


H x 1



J x 2

## Step 30



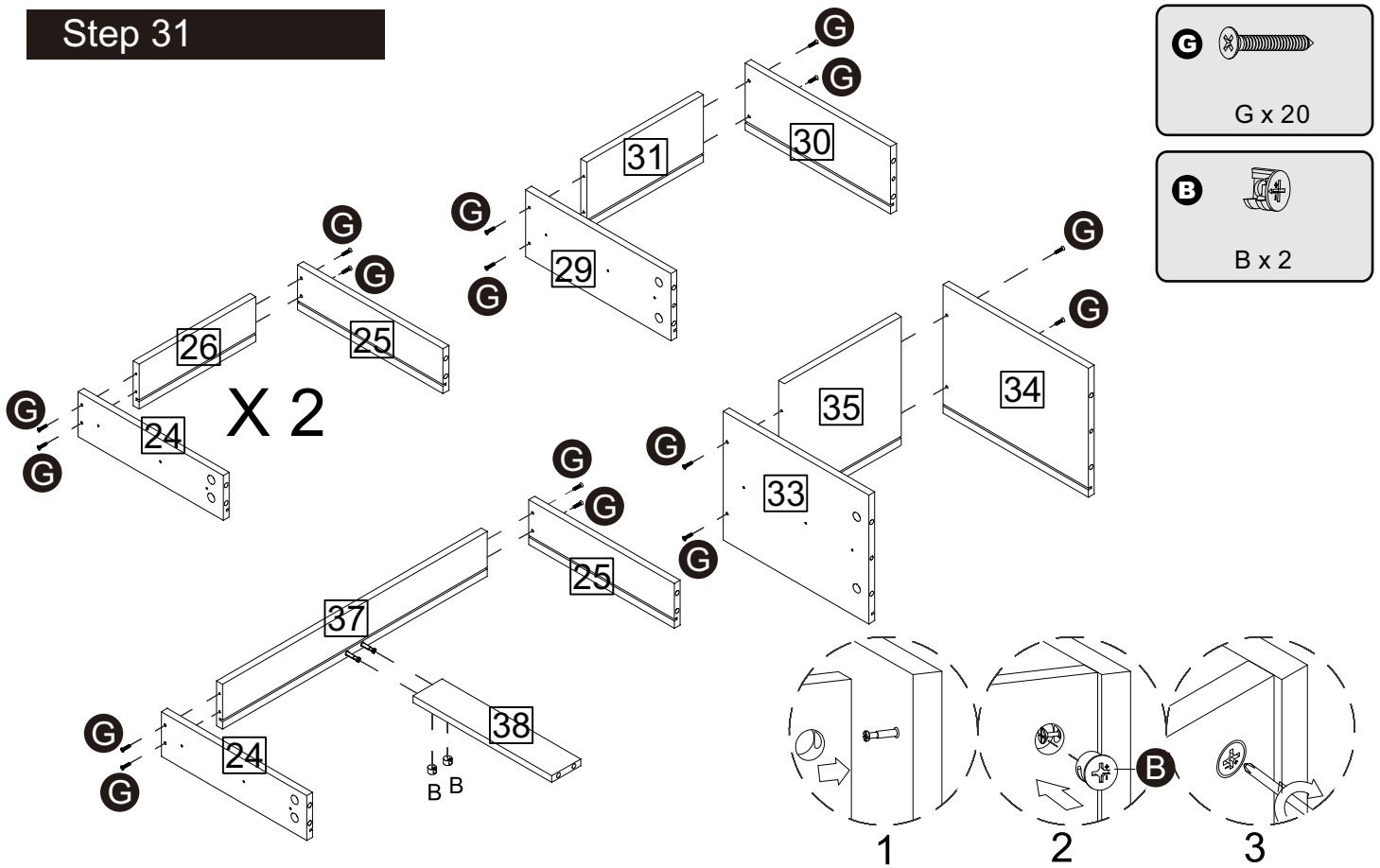
A x 24



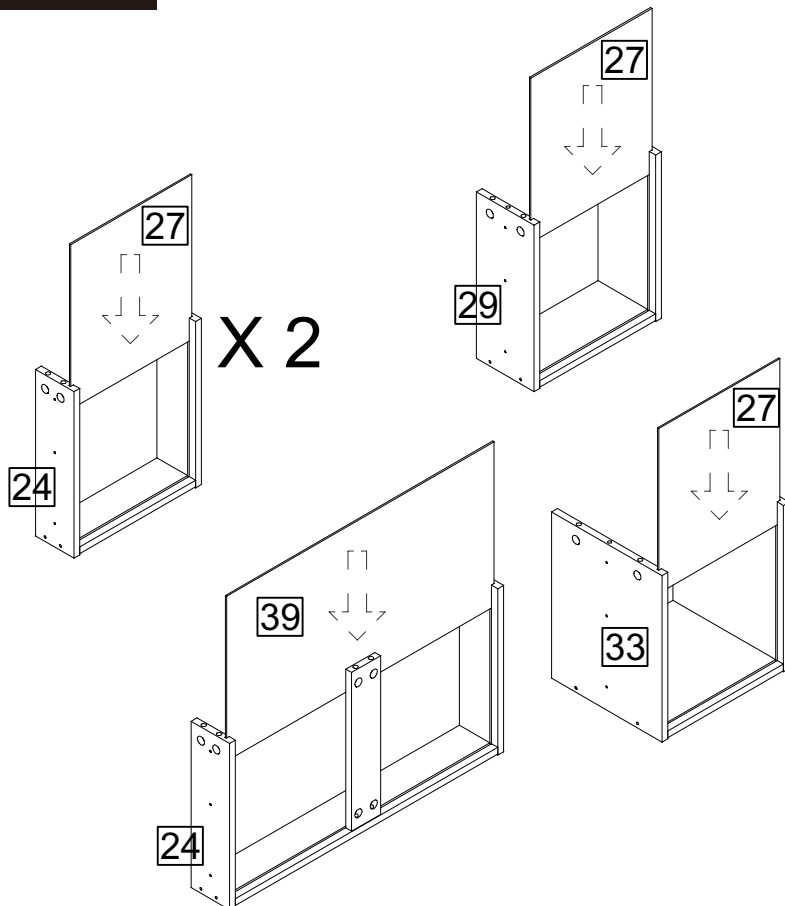
C x 4

# Assembly Instructions

## Step 31

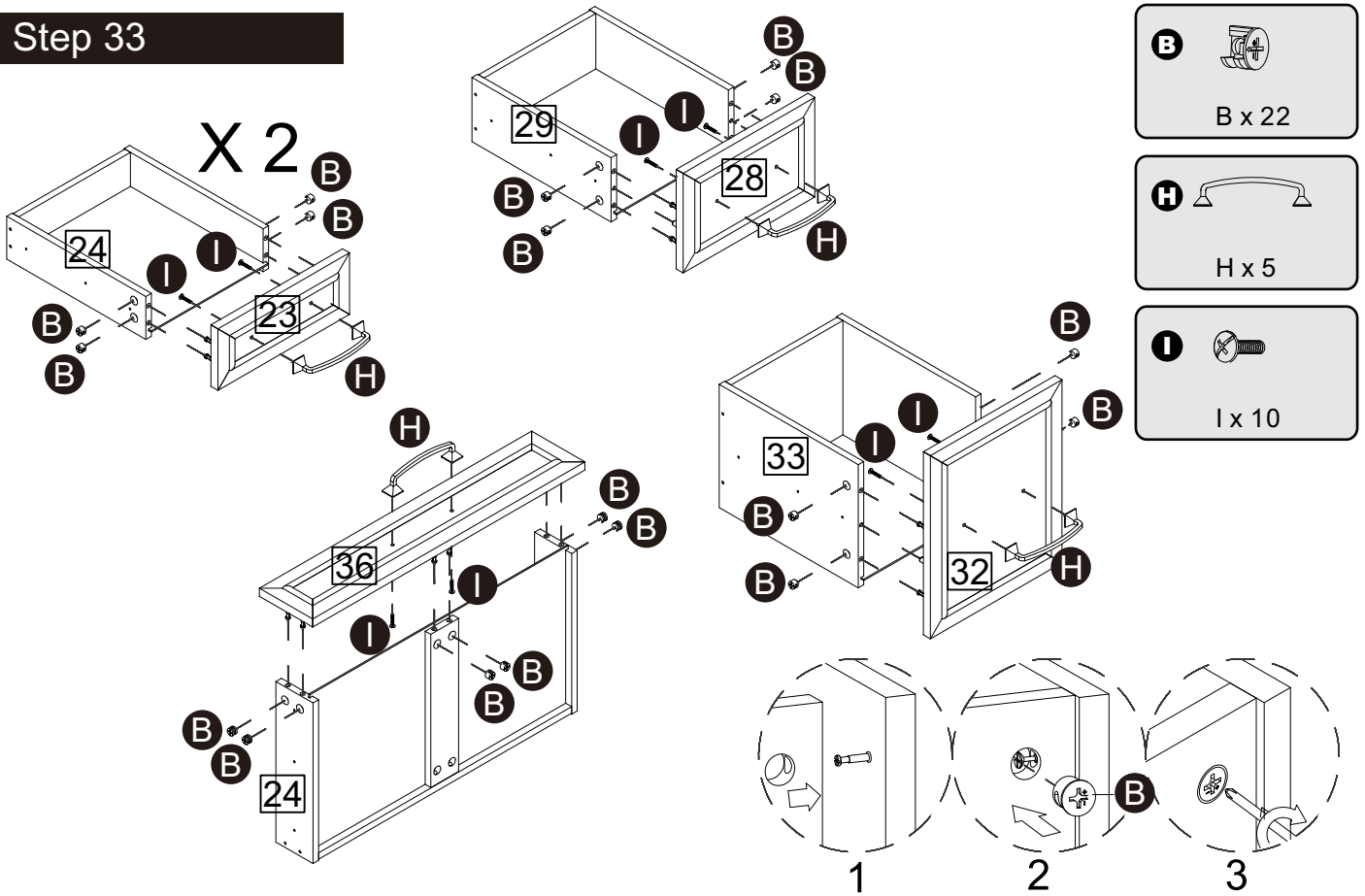


## Step 32

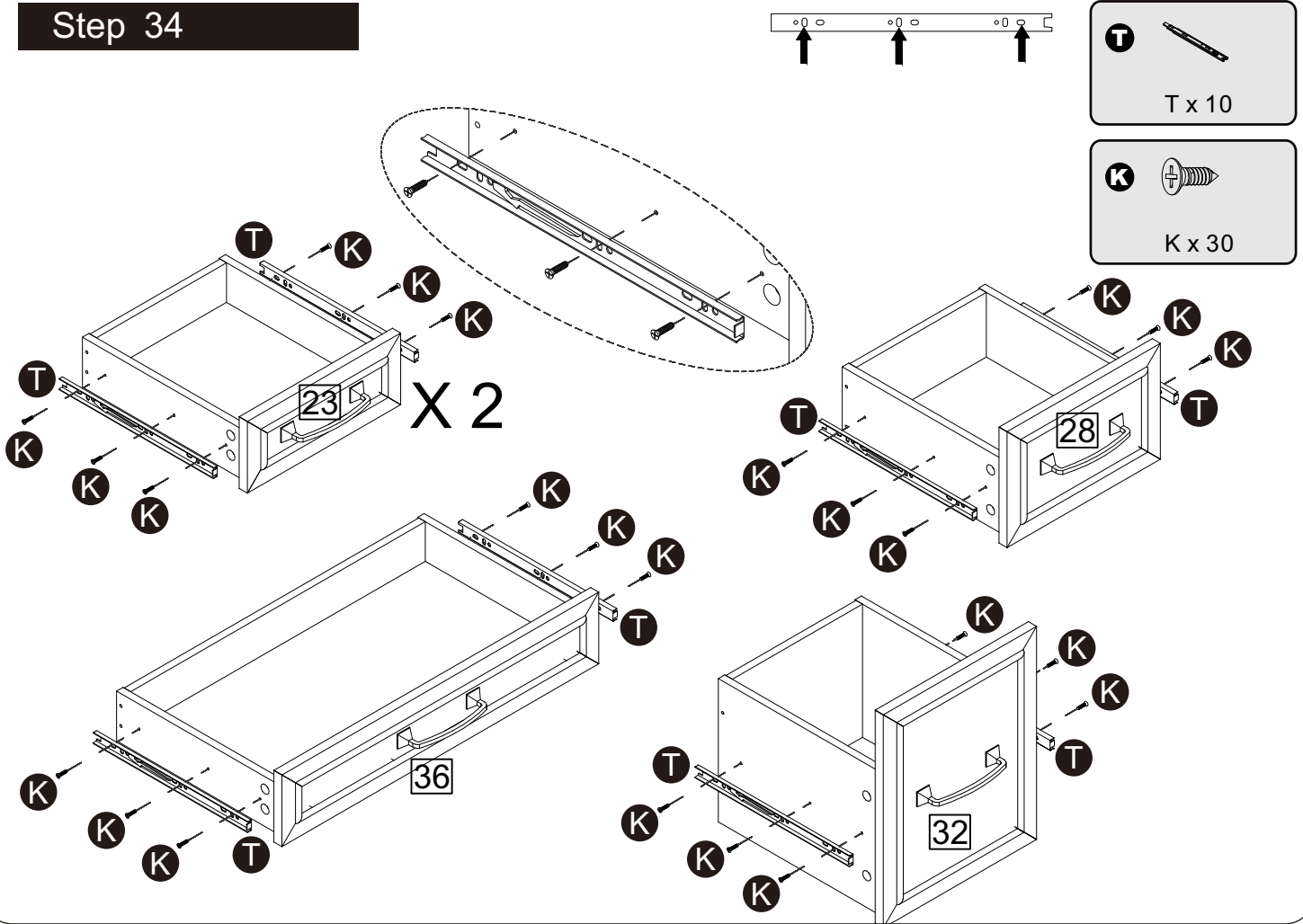


# Assembly Instructions

## Step 33

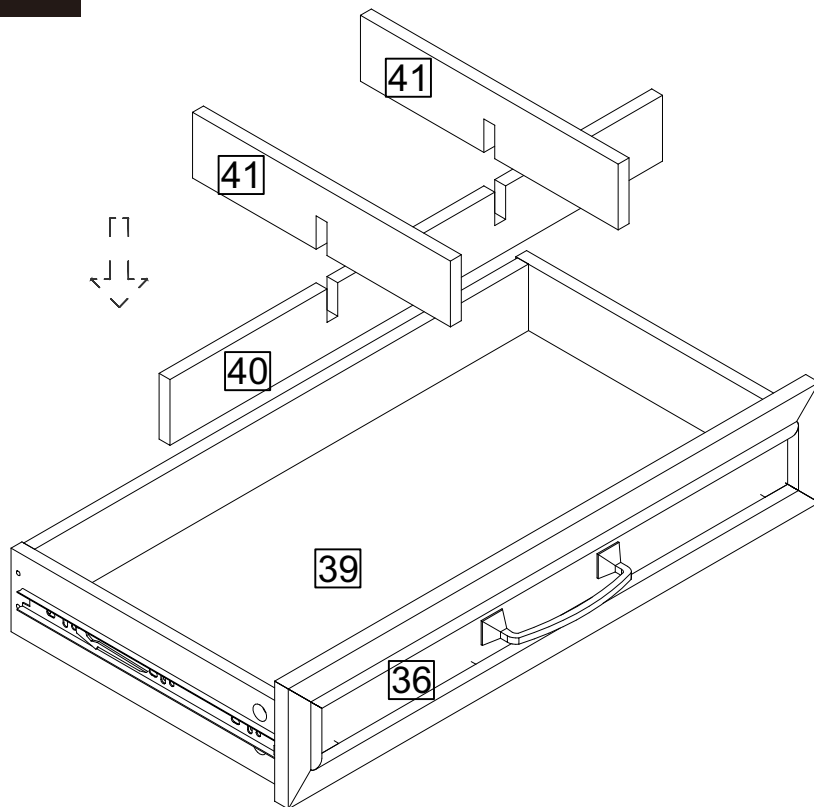


## Step 34



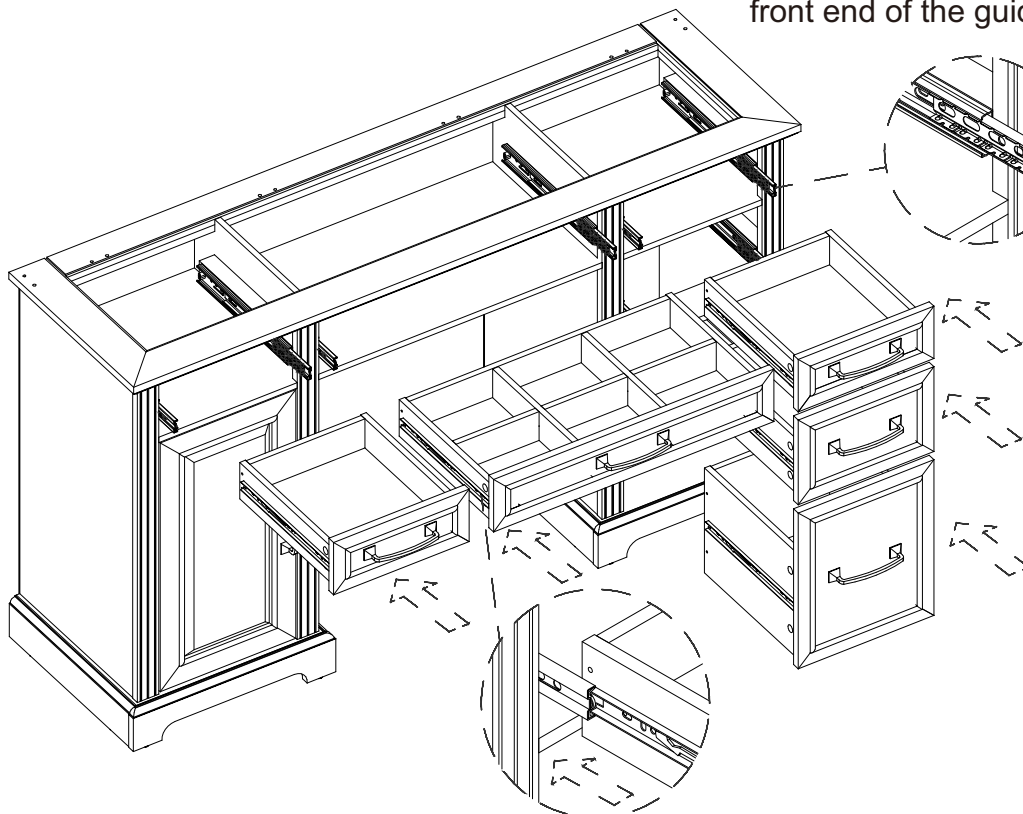
# Assembly Instructions

## Step 35



## Step 36

Slide the ball slide to the front end of the guide rail



Attention:

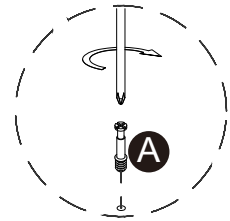
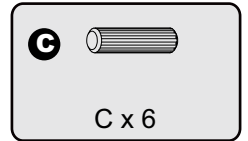
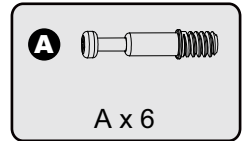
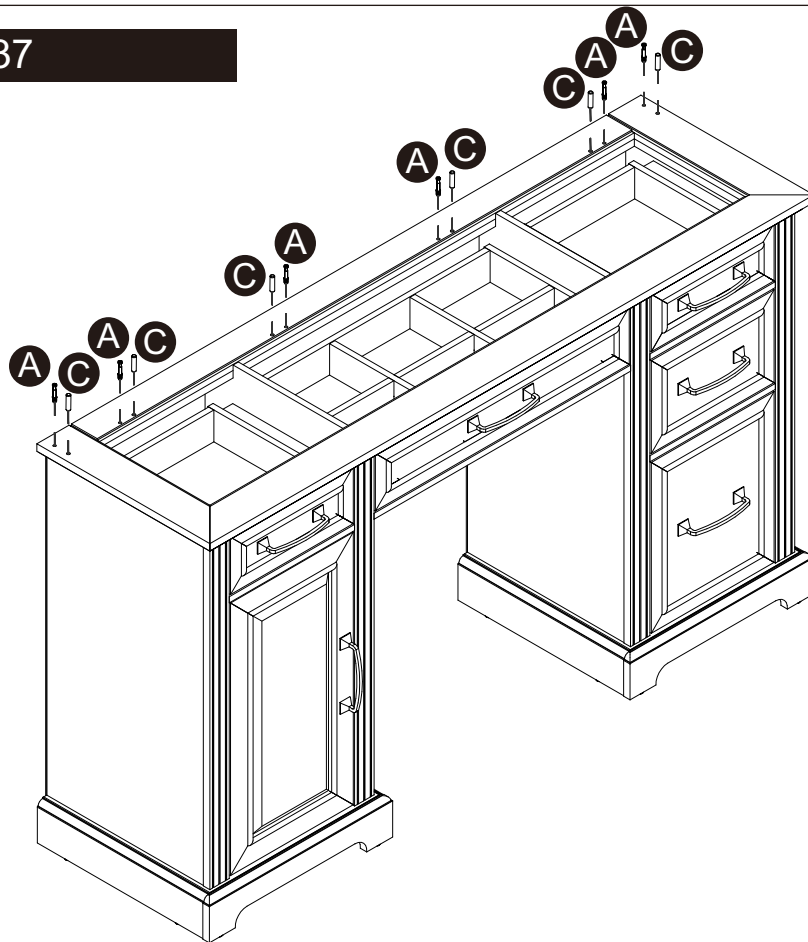
1. Pull out the rail installed on the cabinet.

2. Align the slide runners on the drawer with the unit and push it carefully inside until it stops.

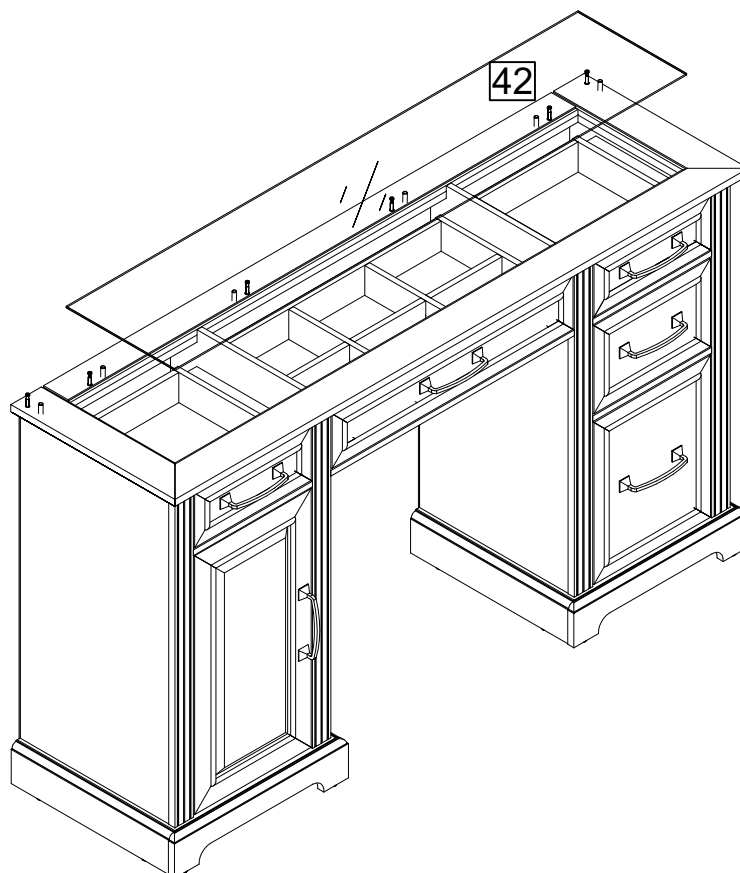
★ If the drawer does not go in smoothly please take it out and repeat the steps.

# Assembly Instructions

## Step 37

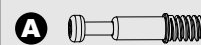
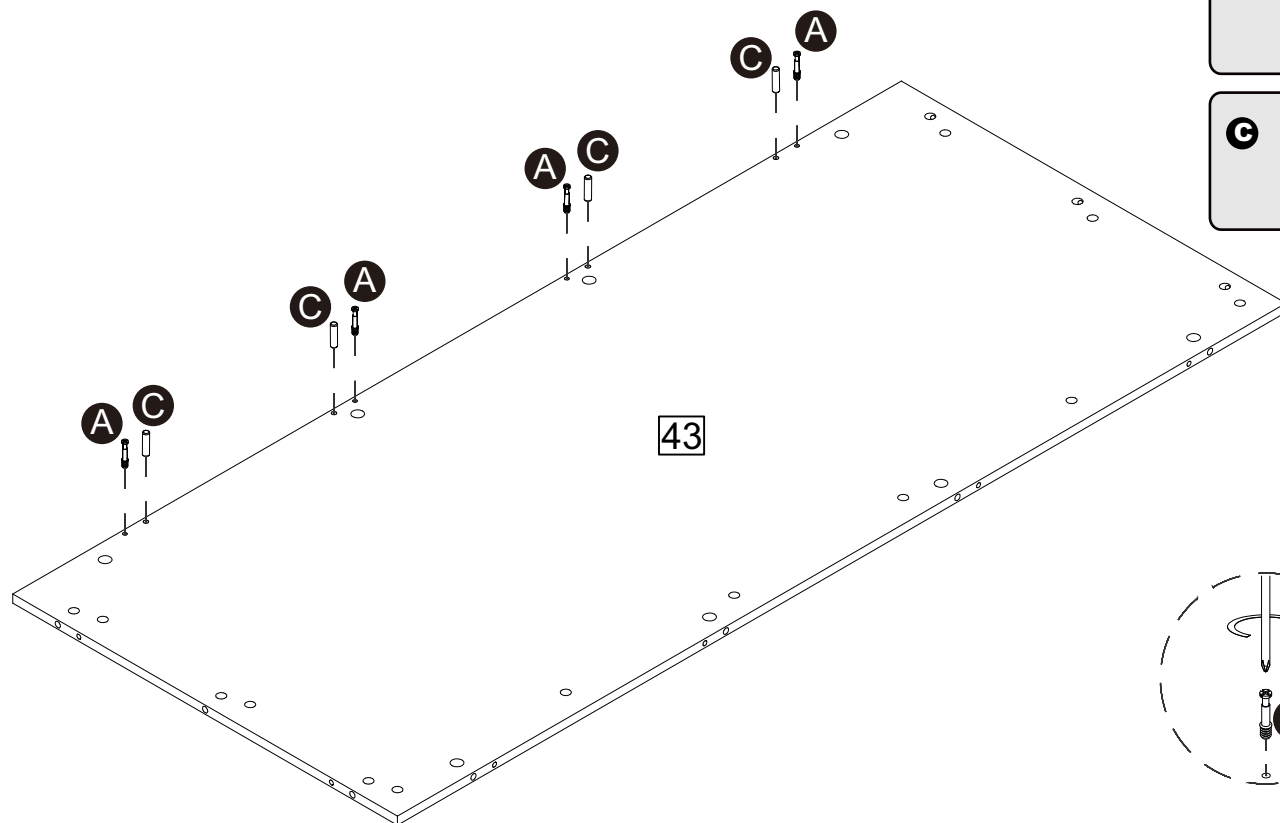


## Step 38



# Assembly Instructions

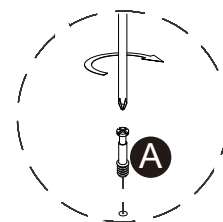
## Step 39



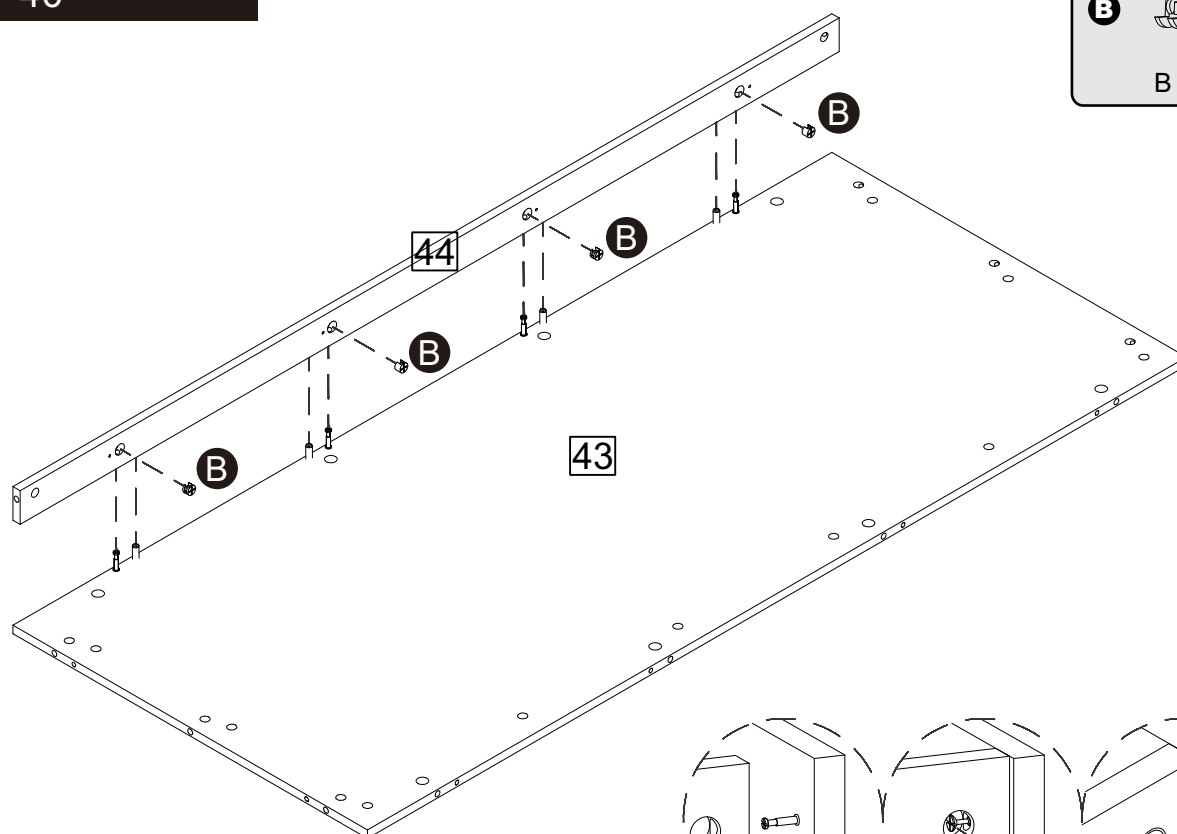
A x 4



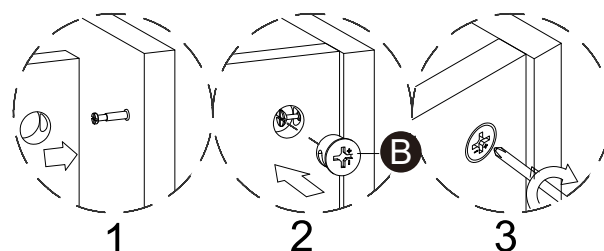
C x 4



## Step 40

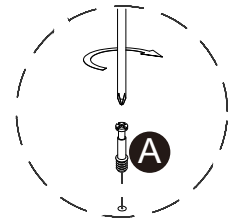
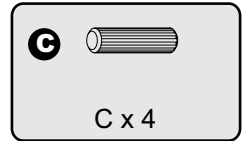
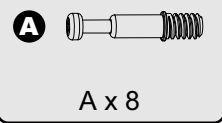
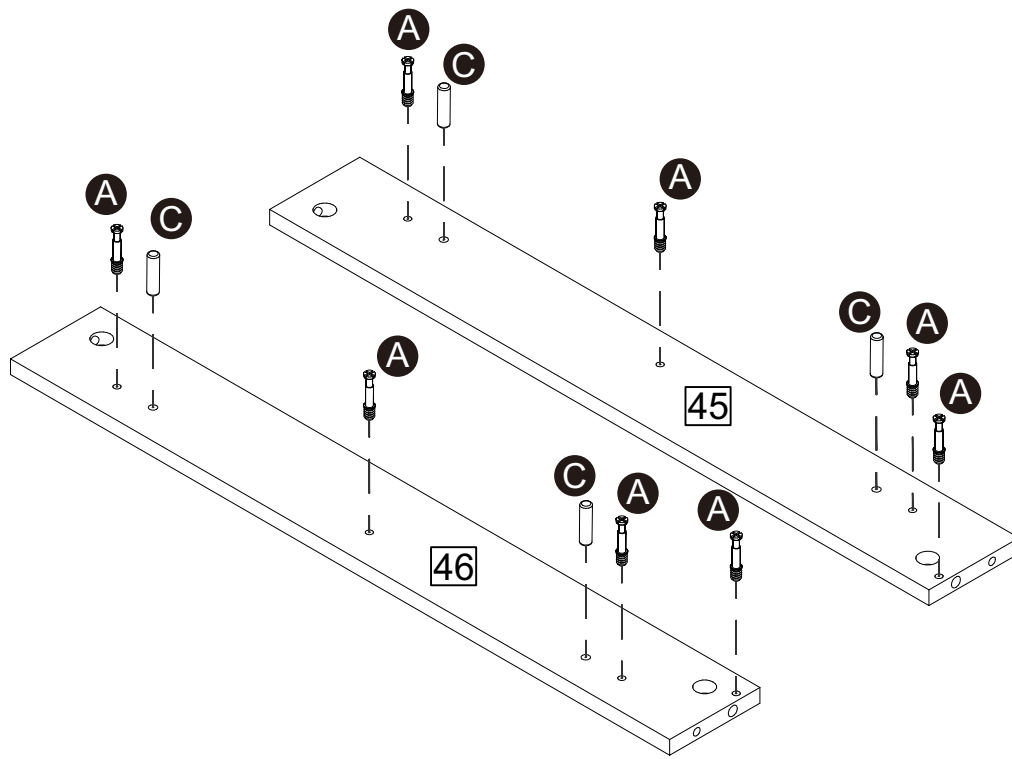


B x 4

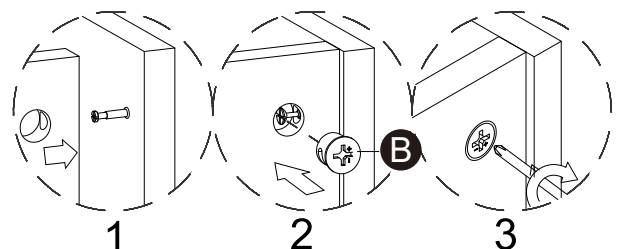
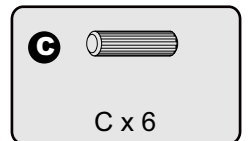
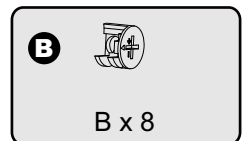
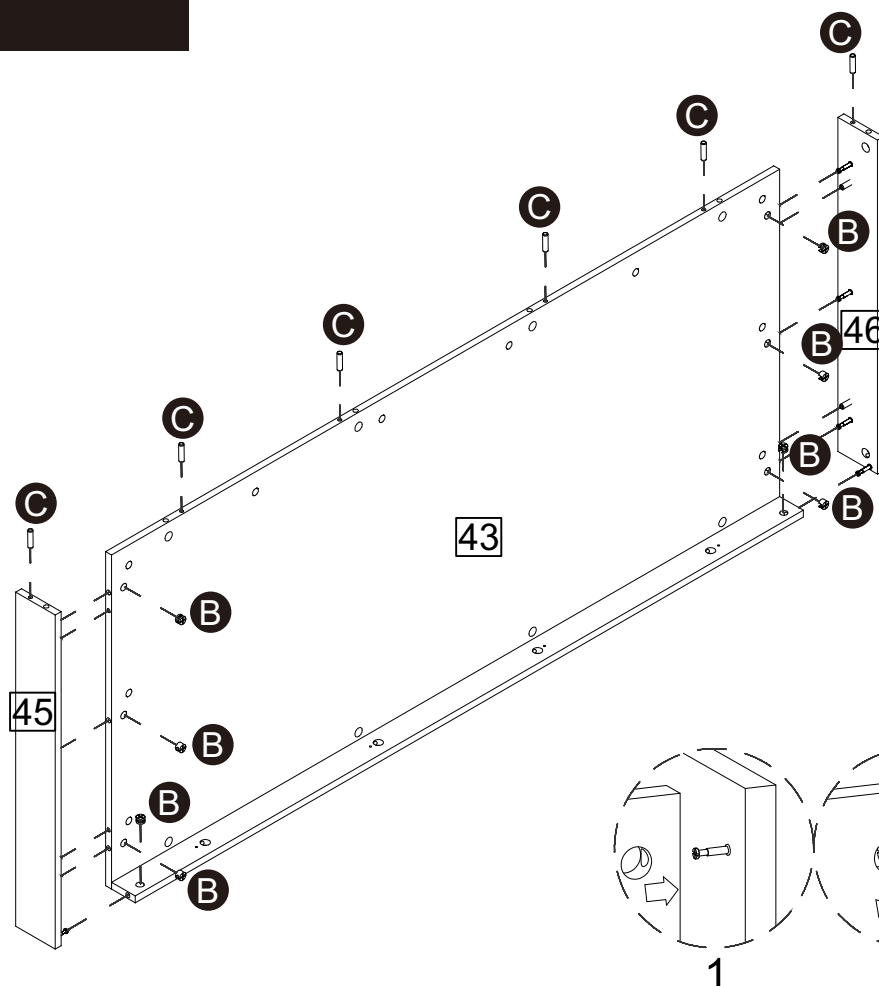


# Assembly Instructions

## Step 41

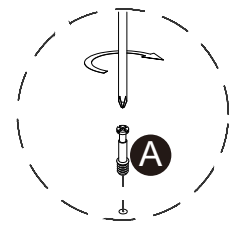
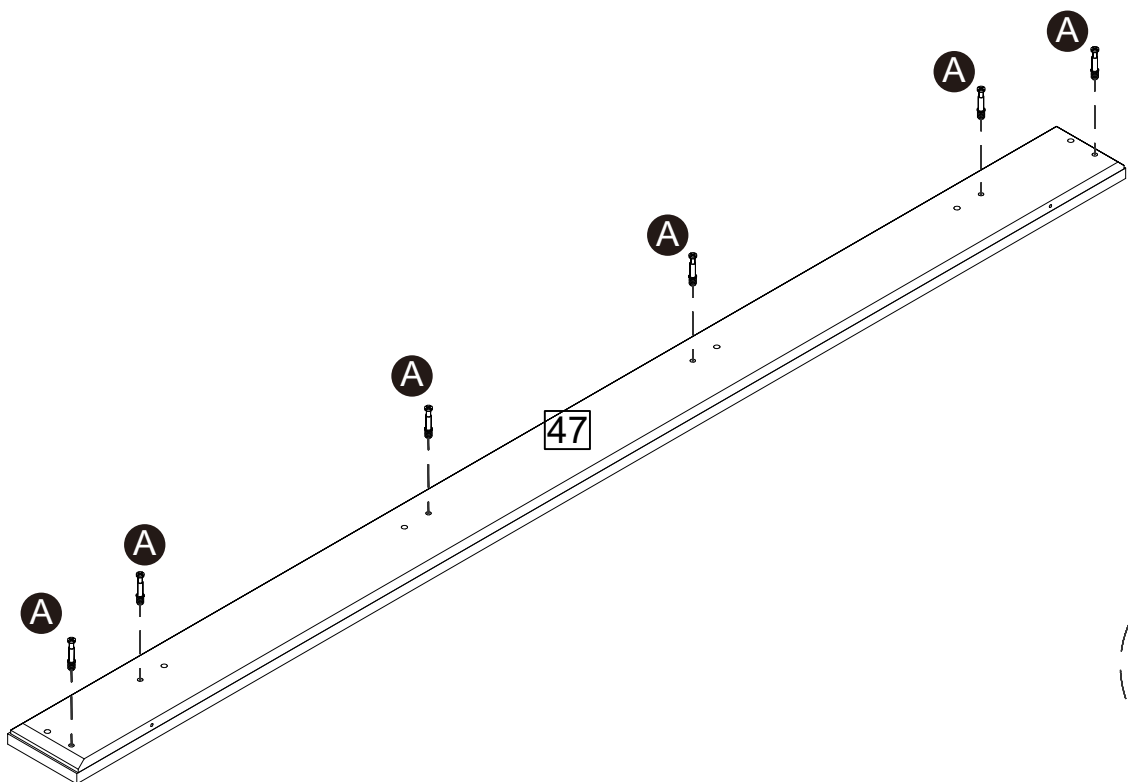
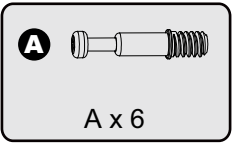


## Step 42

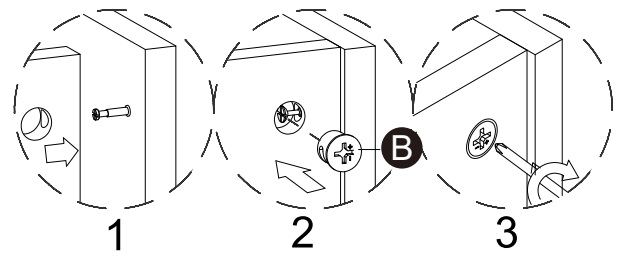
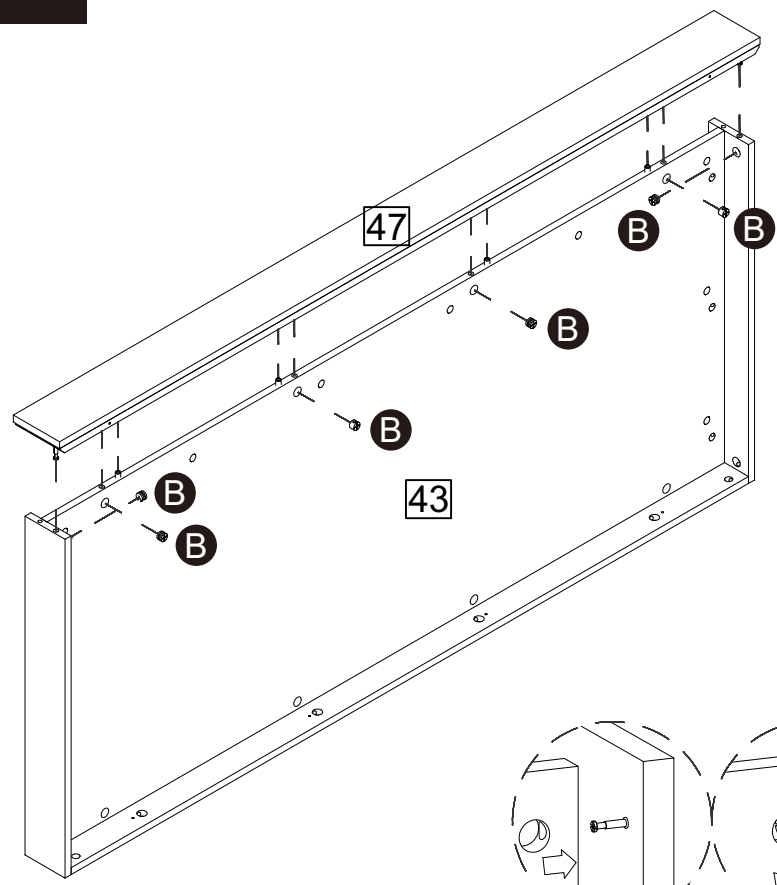
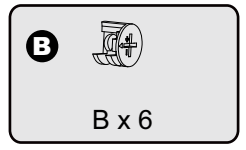


# Assembly Instructions

## Step 43



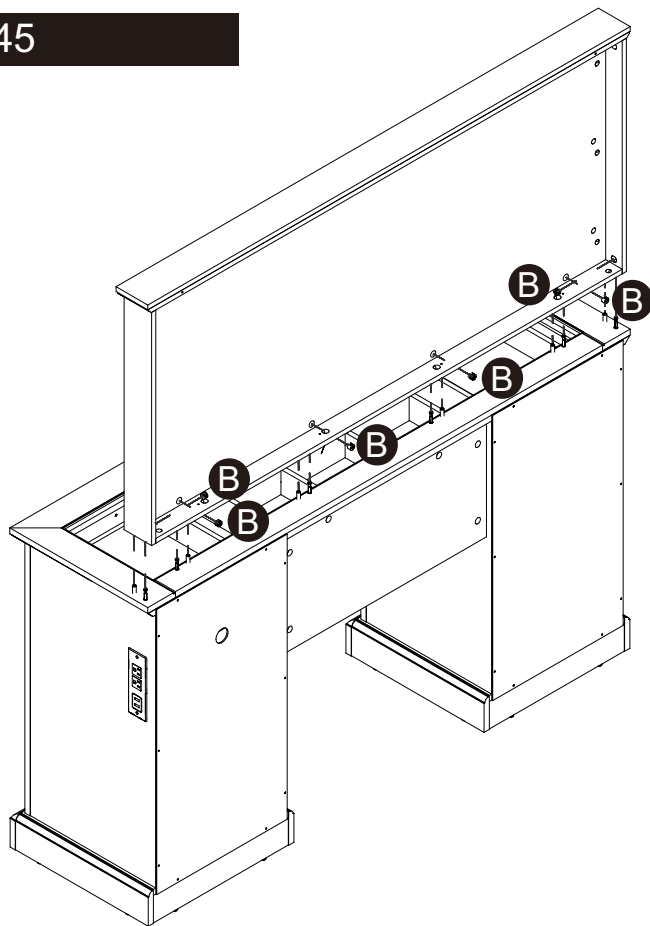
## Step 44



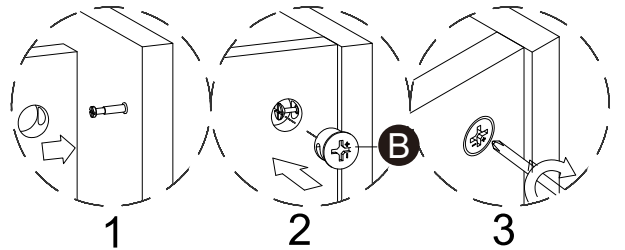


# Assembly Instructions

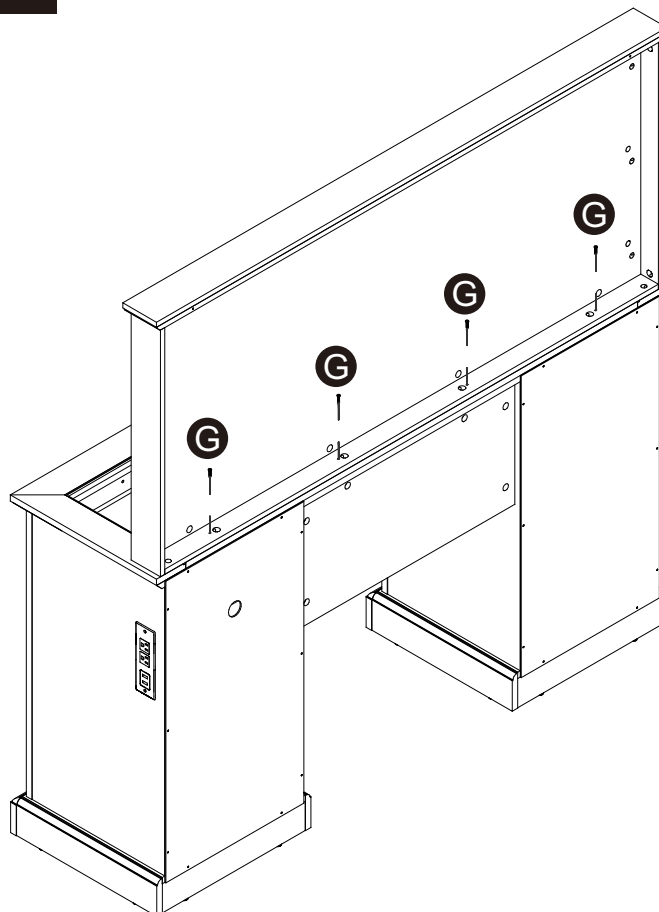
## Step 45



B x 6



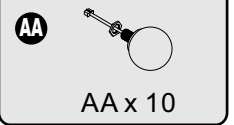
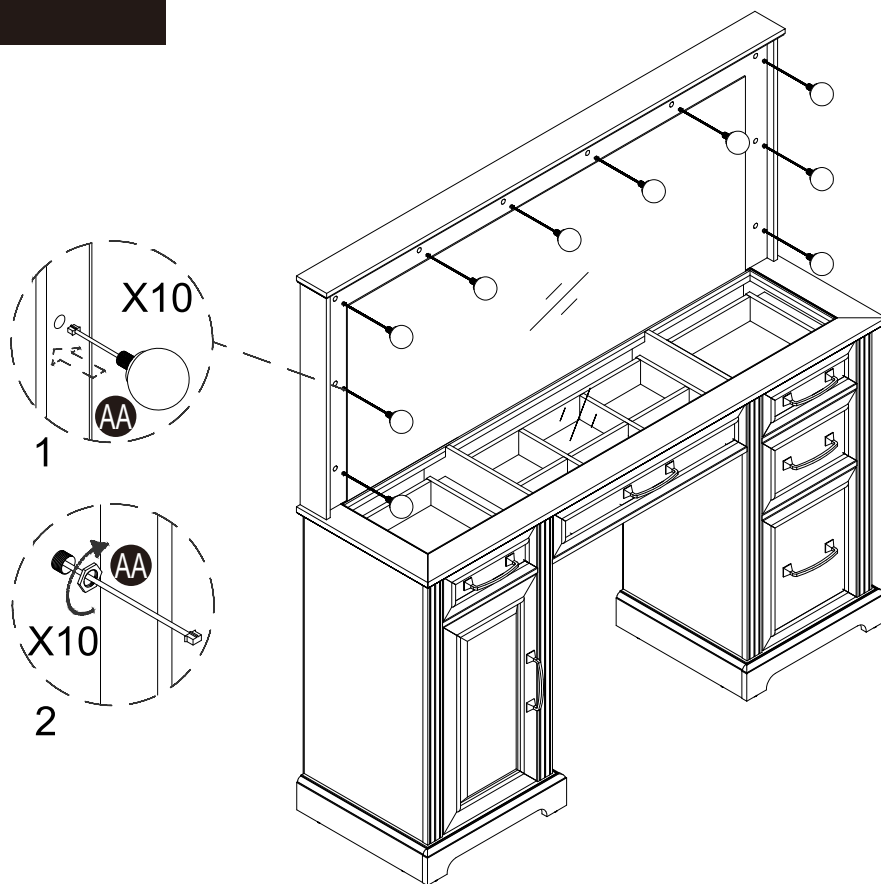
## Step 46



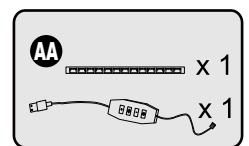
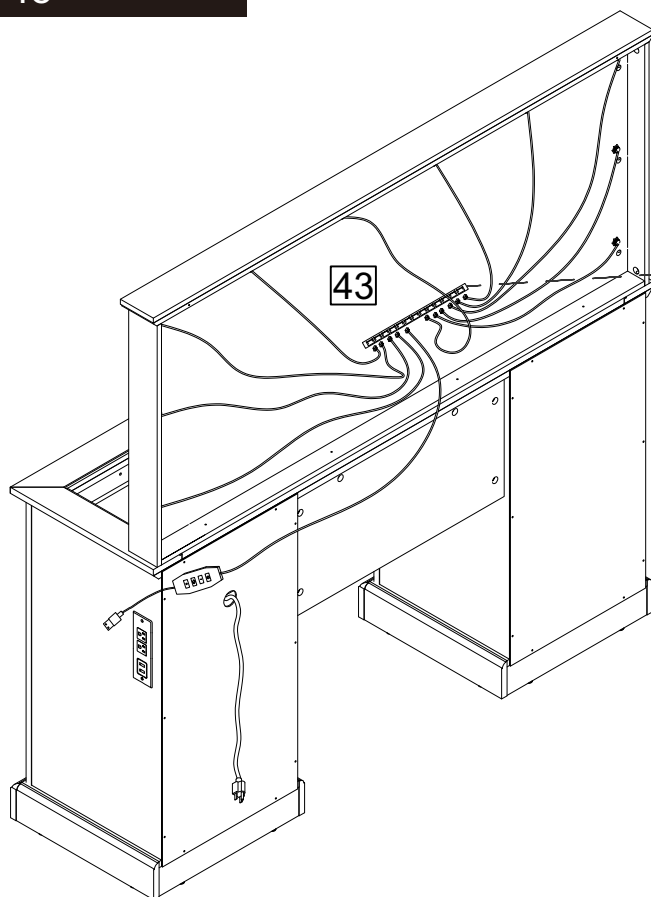
G x 4

# Assembly Instructions

## Step 47



## Step 48

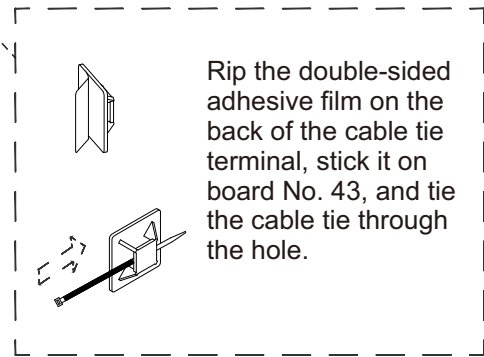
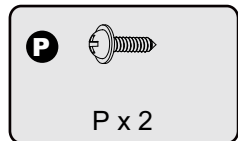
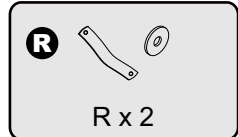
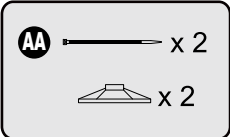
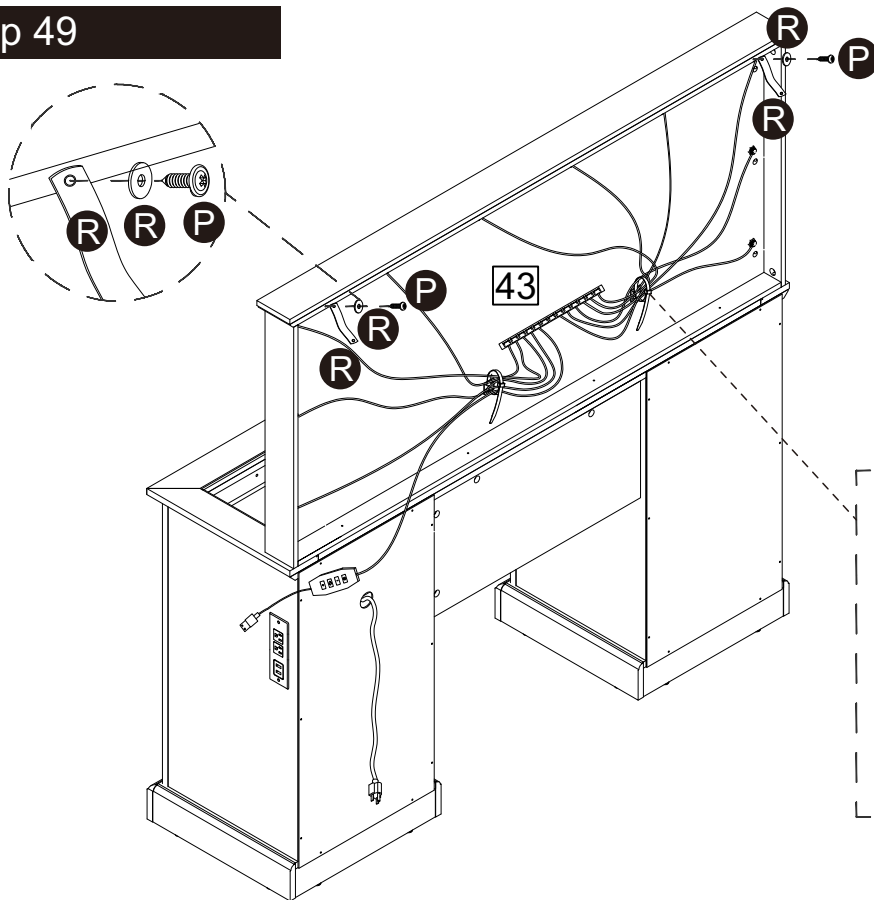


1. Tear the double-sided adhesive film on the back of the strip terminal and attach it to board No. 43

2. Insert the cable between the bulb and the controller into the strip terminal (without jack).

# Assembly Instructions

## Step 49



## Step 50

