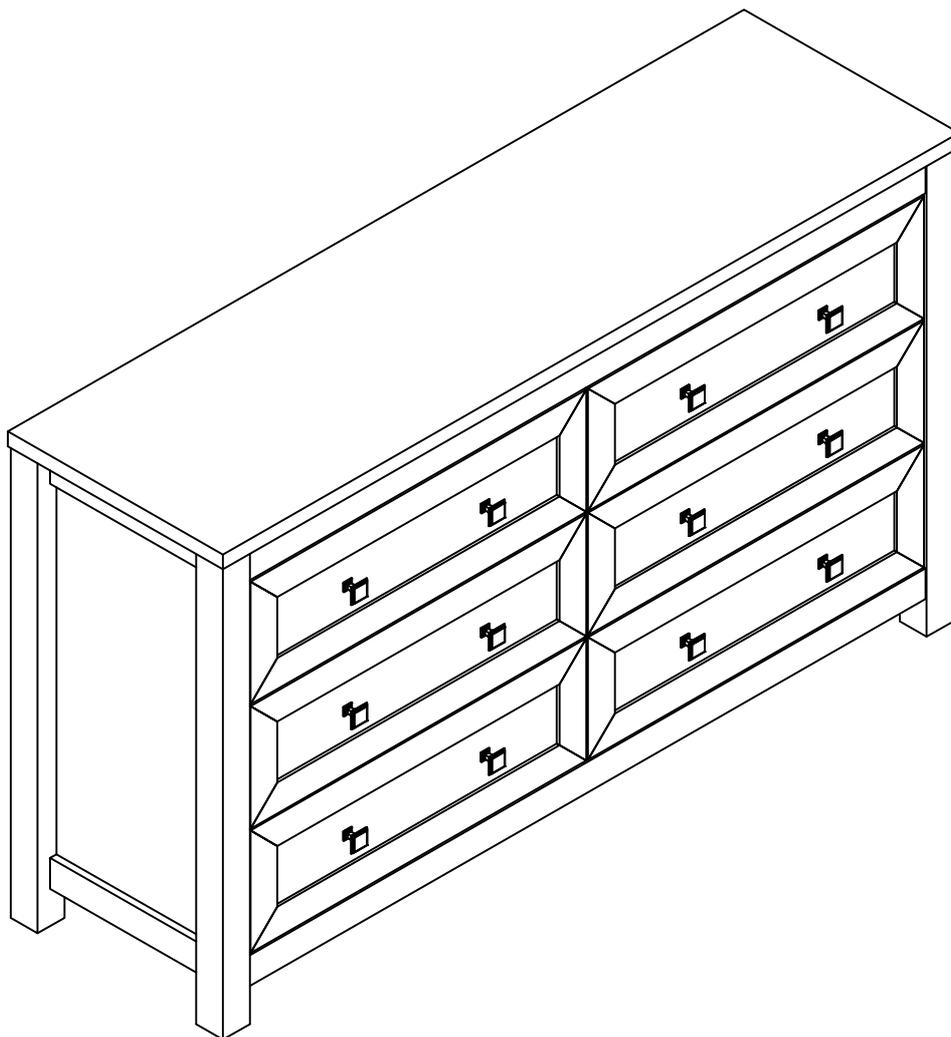


# Bucket cabinet

Assembly Instructions - Please keep for future reference 1016630#



## Dimensions

Width - 54inch  
Depth - 15.7inch  
Height - 31.5inch

**Important – Please read these instructions fully before starting assembly**



# Safety and Care Advice

**Important – Please read these instructions fully before starting assembly**

- Check you have all the components and tools listed on the following pages.
- Remove all fittings from the plastic bags and separate them into their groups.
- Keep children and animals away from the work area, small parts could choke if swallowed.
- Make sure you have enough space to layout the parts before starting.

- During assembly do not stand or put weight on the product, this could cause damage.
- Assemble the item as close to its final position (in the same room) as possible.
- Assemble on a soft level surface to avoid damaging the unit or your floor.
- Parts of the assembly will be easier with 2 people.



power drill is set on a low torque setting.

- To reduce the likelihood of damaging your product please ensure that your

## Care and maintenance

- Only clean using a damp cloth and mild detergent, do not use bleach or abrasive cleaners.
- From time to time check that there are no loose screws on this unit.
- This product should not be discarded with household waste. Take to your local authority waste disposal centre.

## Handy Hints

- Assemble all parts and bolts loosely during assembly, only once the product is complete should you fully tighten the bolts
- Regularly check and ensure That all bolts and fittings are tightend properly.

## **WARNING** In order to help prevent overturning – please follow these instructions

To help prevent product toppling over please follow the below steps:-

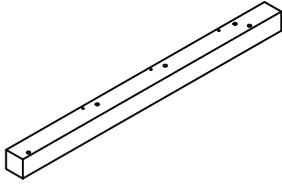
Use the anti tip stap or wall fixing method provided (if applicable)  
Do not allow children to climb or hang on the furniture  
Do not open more than one drawer at a time  
Do not place heavy items in the top drawers  
Do not place heavy items on top of the furniture, unless the furniture has been designed for this purpose

please note that only the anti tip strap is provided.

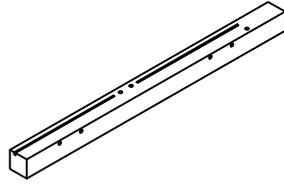
You will need to provide wall plugs and screws applicable for your wall type

# Components - Panels

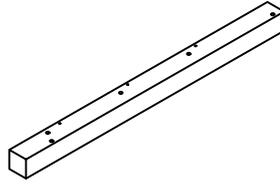
Please check you have all the panels listed below



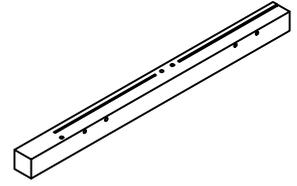
1 (769X50X50mm)X1



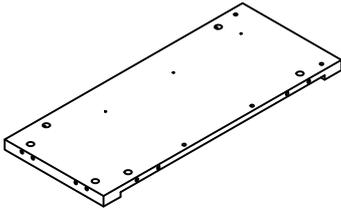
2 (769X50X50mm)X1



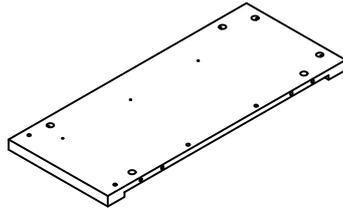
3 (769X50X50mm)X1



4 (769X50X50mm)X1



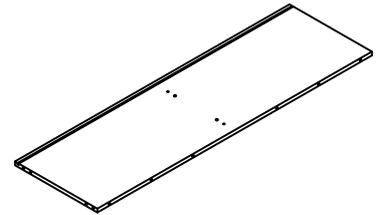
5 (708X295X15mm)X1



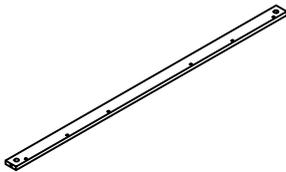
6 (708X295X15mm)X1



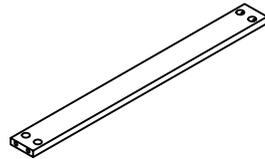
7 (660X356X15mm)X1



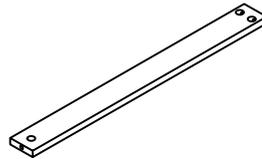
8 (1259X379X15mm)X1



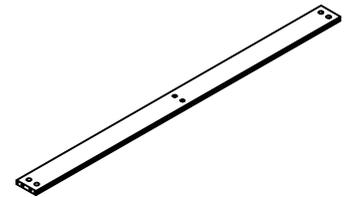
9 (1259X50X15mm)X1



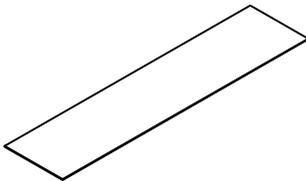
10 (662X60X15mm)X2



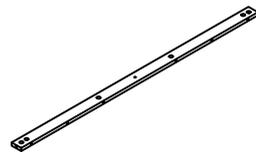
11 (662X60X15mm)X2



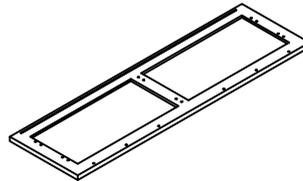
12 (1259X80X15mm)X1



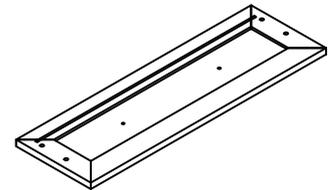
13 (1269X300X5mm)X2



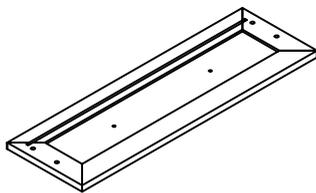
14 (1259X50X15mm)X1



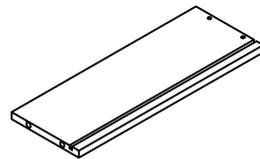
15 (1370X400X25mm)X1



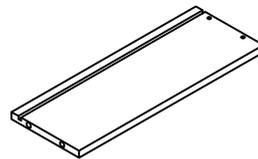
16 (625X199X15mm)X3



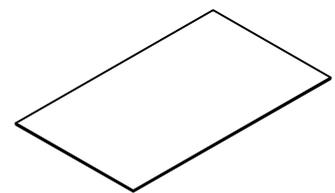
17 (625X199X15mm)X3



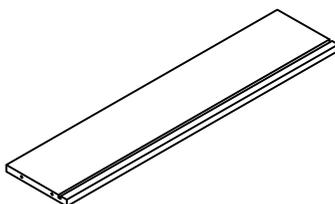
18 (350X128X12mm)X6



19 (350X128X12mm)X6



20 (583X347X5mm)X6

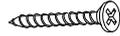
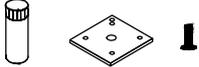


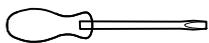
21 (573X128X12mm)X6

# Components - Fittings

Please check you have all the panels listed below

**Note:** The quantities below are the correct amount to complete the assembly. In some cases more fittings may be supplied than are required.

<b>A</b>  Male Camlock x 73	<b>B</b>  Female Camlock x 73	<b>C</b>  Dowel x24
<b>D</b>  Drawer slider 14" X 6	<b>E</b>  3*12mm Screw x 48	<b>F</b>  5*45mm Screw x 4
<b>G</b>  Handle & Fixings x 12	<b>H</b>  4*30mm Screw x 24	<b>I</b>  Protective Feet x 4
<b>J</b>  3*17mm Screw x 8	<b>K</b>  Plasticwedge x 8	<b>L</b>  4*12mm Screw x 4
<b>M</b>  Adjustable Foot x 1	<b>N</b>  Wall Fixing Pack x 2	



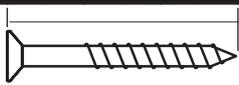
Tools required



Phillips screwdriver  
(medium & large)

Ruler - Use this ruler to help correctly identify the screws

0 5 10 15 20 25 30 35 40 45 50 55 60 65 70 75 80 85 90 95 100 105 110 115 120 125 130 135 140 145 150 155 160 165 170



The screws length is measured from the head to the point (35mm screw shown).

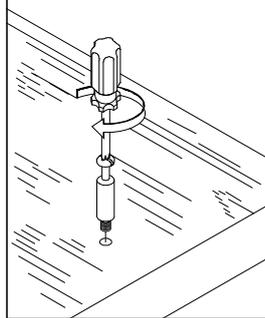
# Using Camlocks

## Step 1

Connect the male camlock as directed in the assembly instructions using a screwdriver.

1

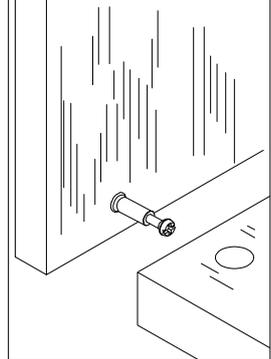
DO NOT OVER TIGHTEN.  
NE PAS SERRER EXCESSIVEMENT.



## Step 2

Push the male camlock into the entry hole.

2

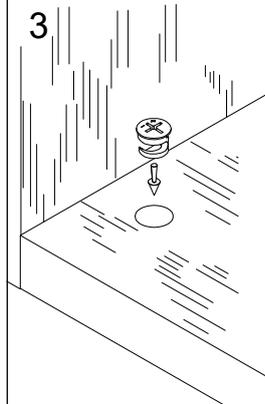


## Step 3

Insert the female camlock as shown in the instruction.

Note: ensure that the arrow on the top of the camlock points towards the entry hole for the male camlock.

3



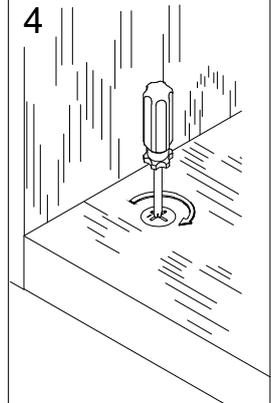
## Step 4

Turn the female camlock clockwise with a screwdriver.

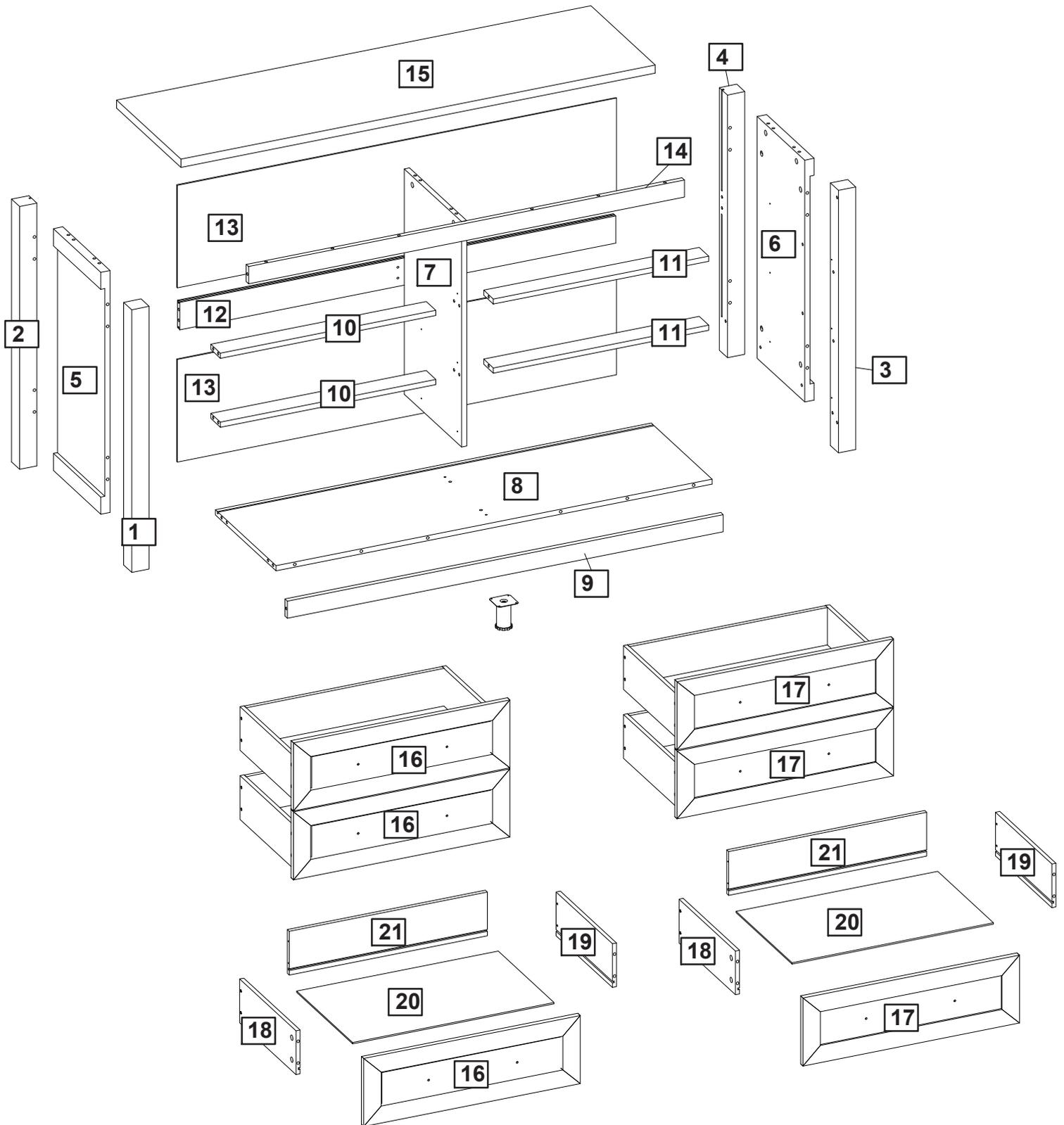
You should feel a click when the camlock is locked in place.

The joint is now secure.

4

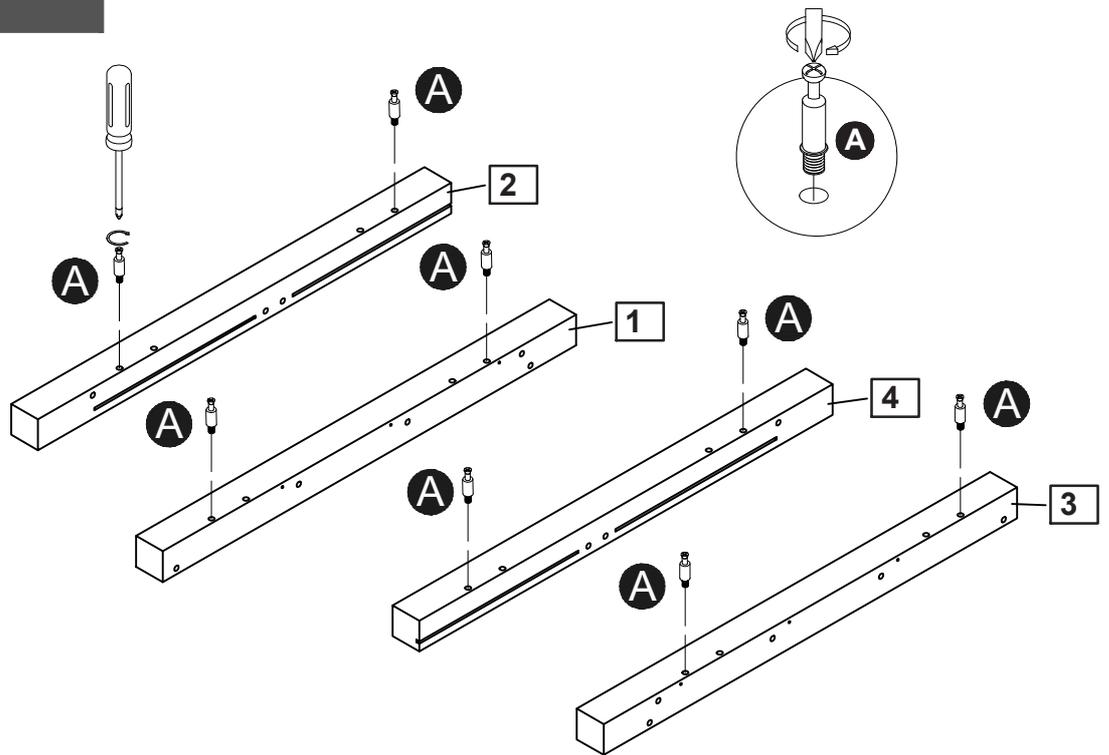
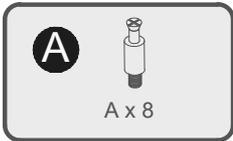


# Assembly Instructions

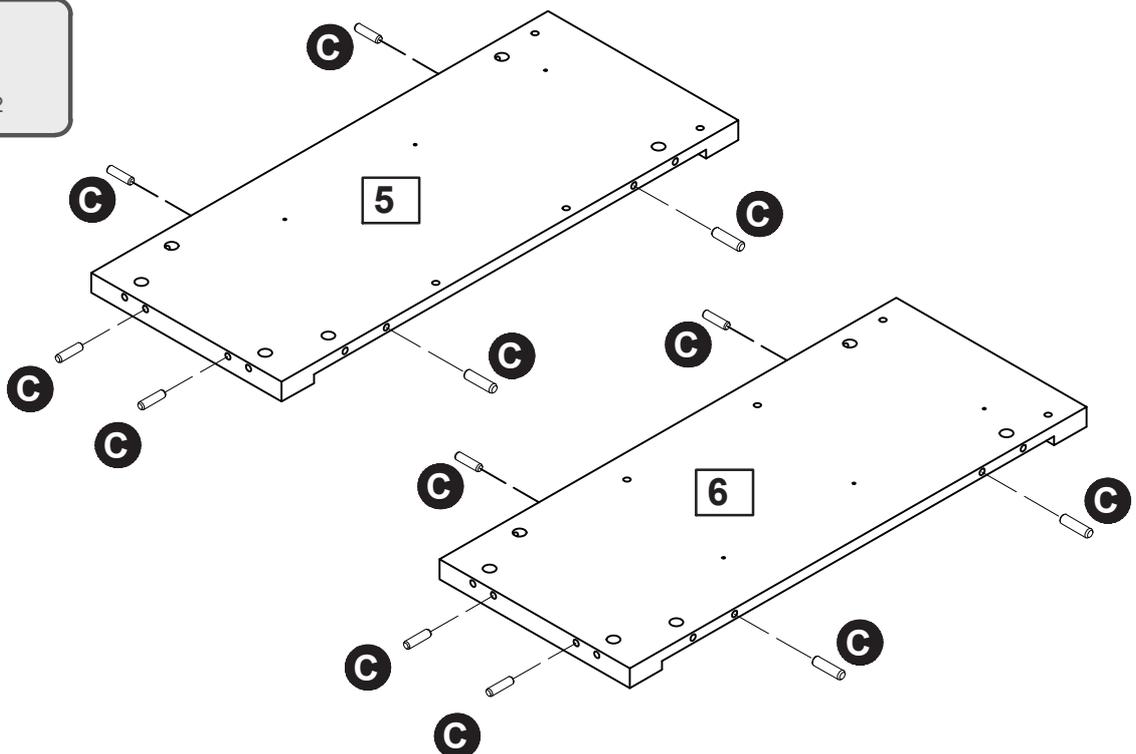


# Assembly Instructions

## Step 1

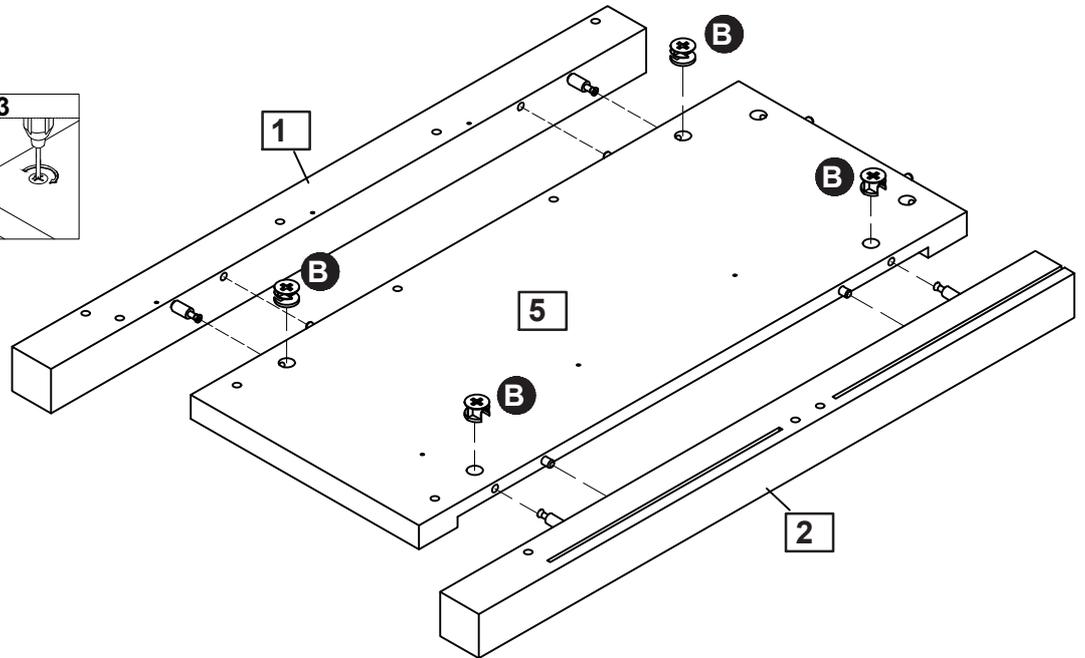
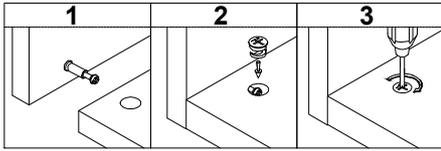


## Step 2

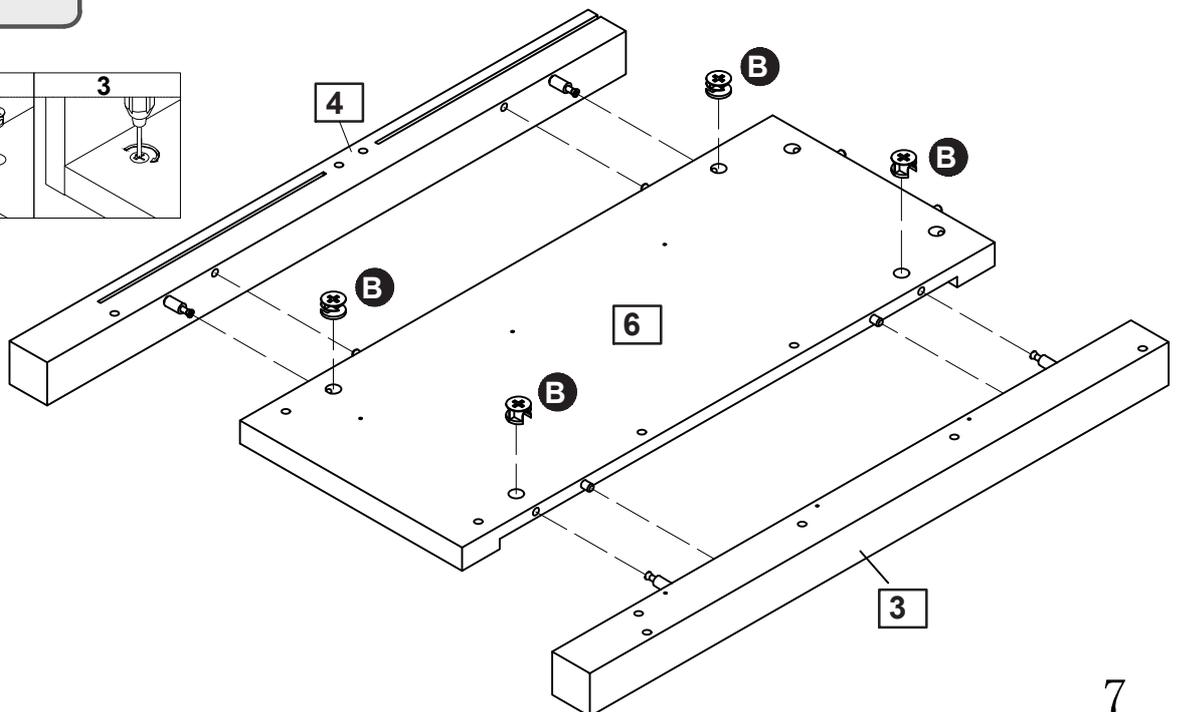
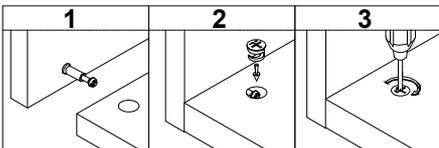


# Assembly Instructions

## Step 3



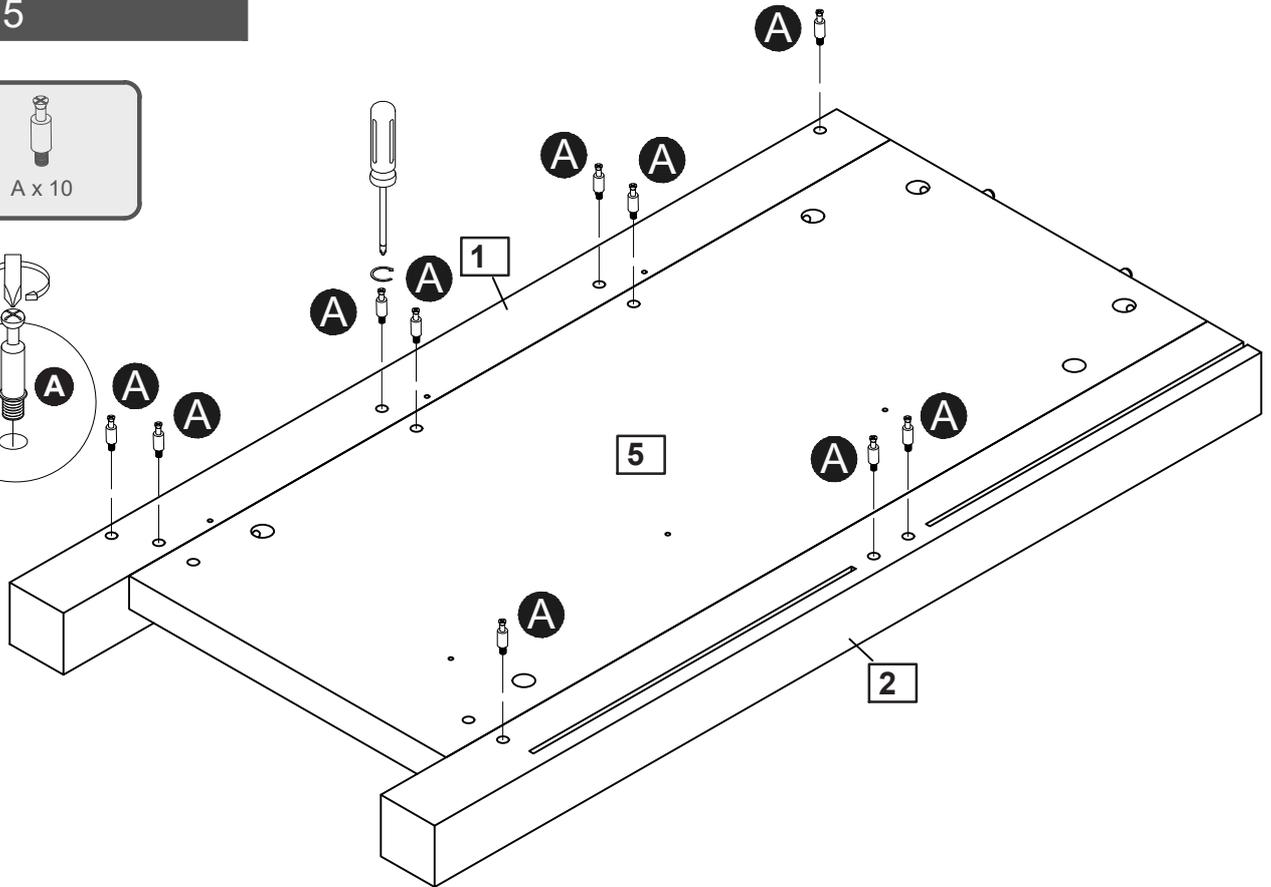
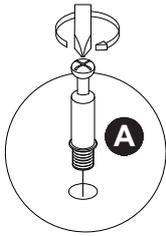
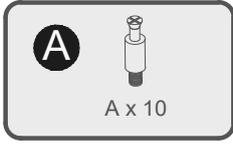
## Step 4



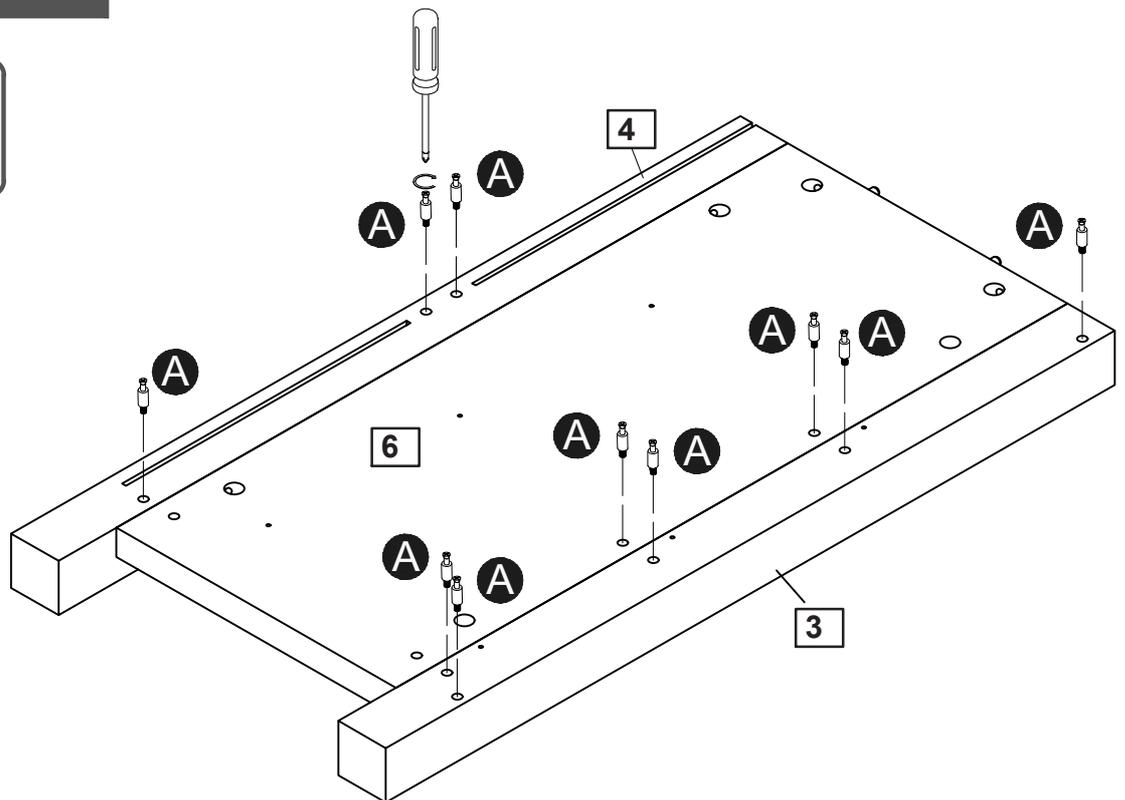
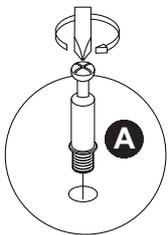
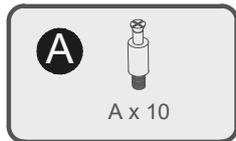


# Assembly Instructions

## Step 5

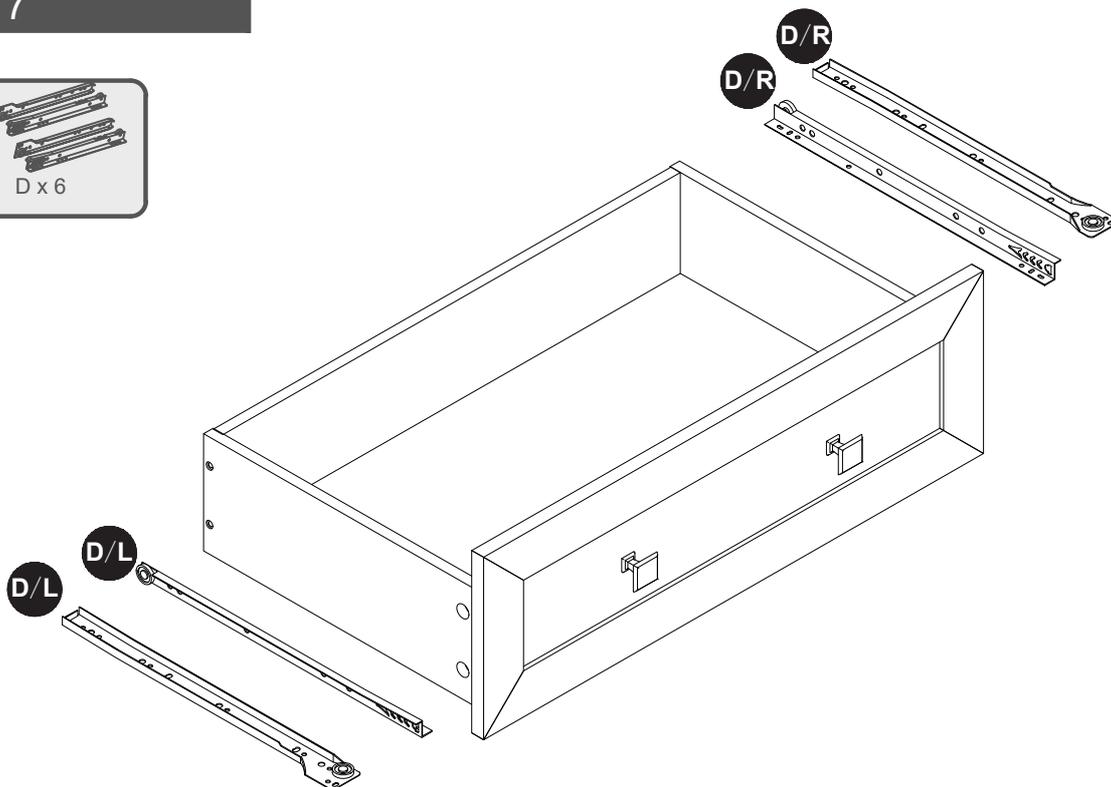


## Step 6



# Assembly Instructions

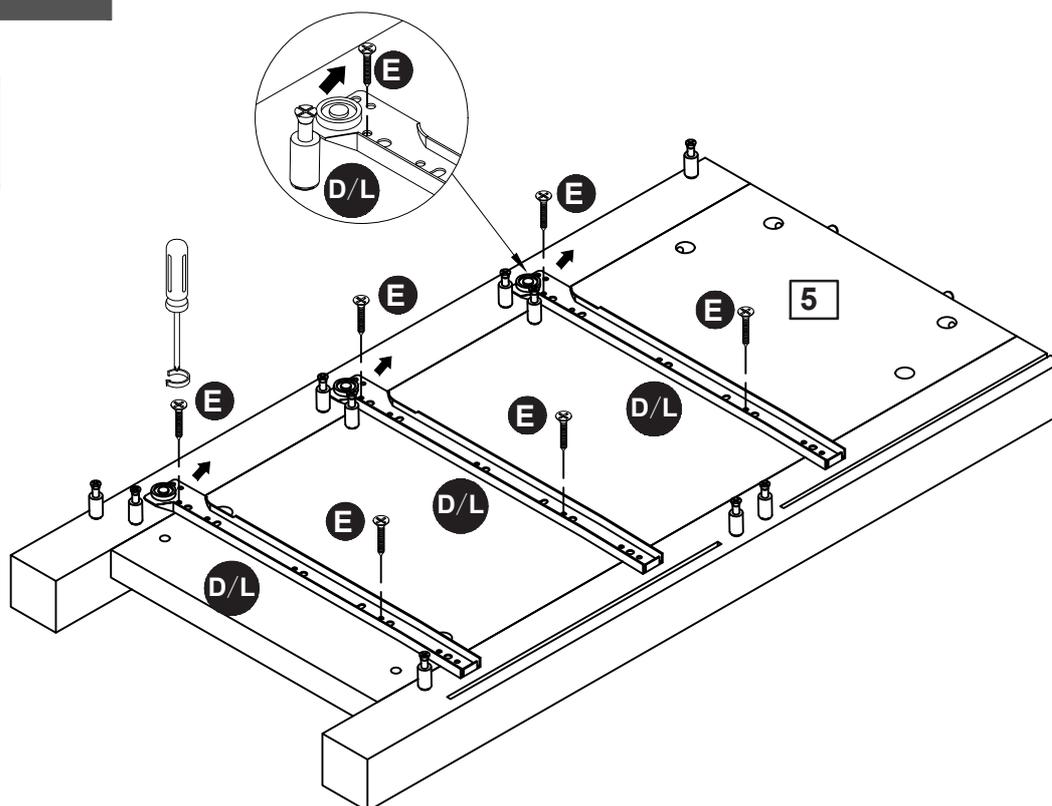
## Step 7



reminder: sort out left and right sliding rails before installing is recommended

**X6**

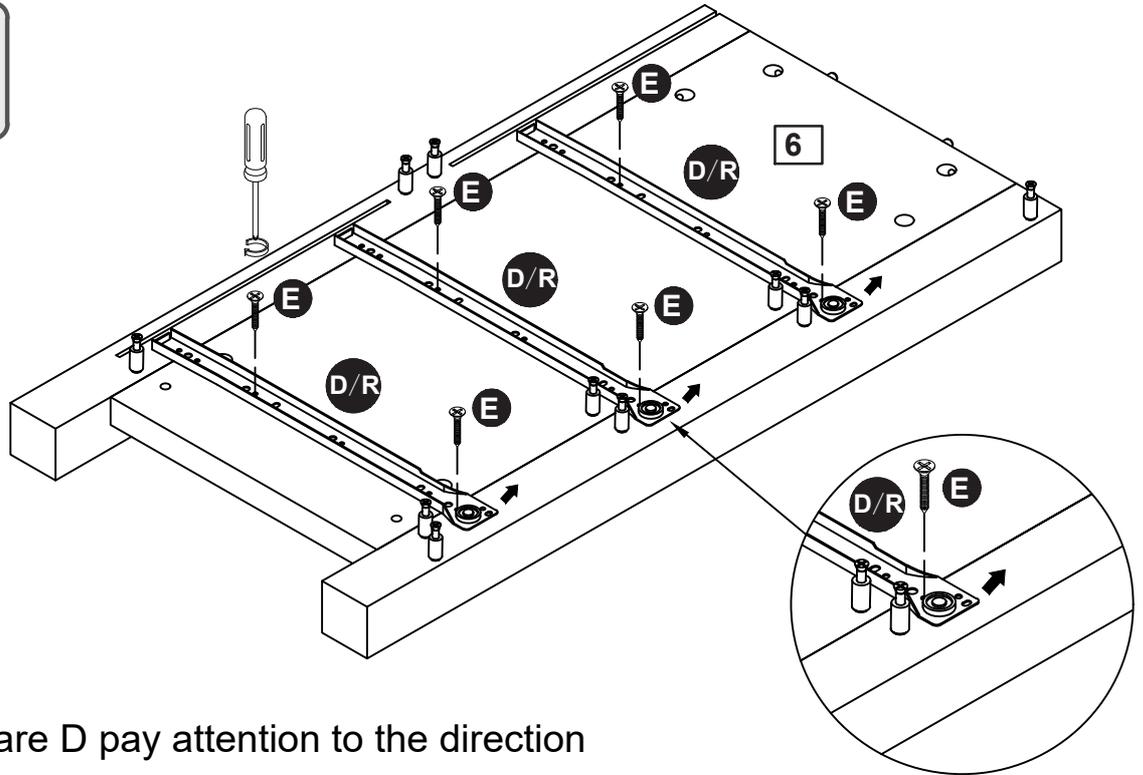
## Step 8



Install hardware D pay attention to the direction

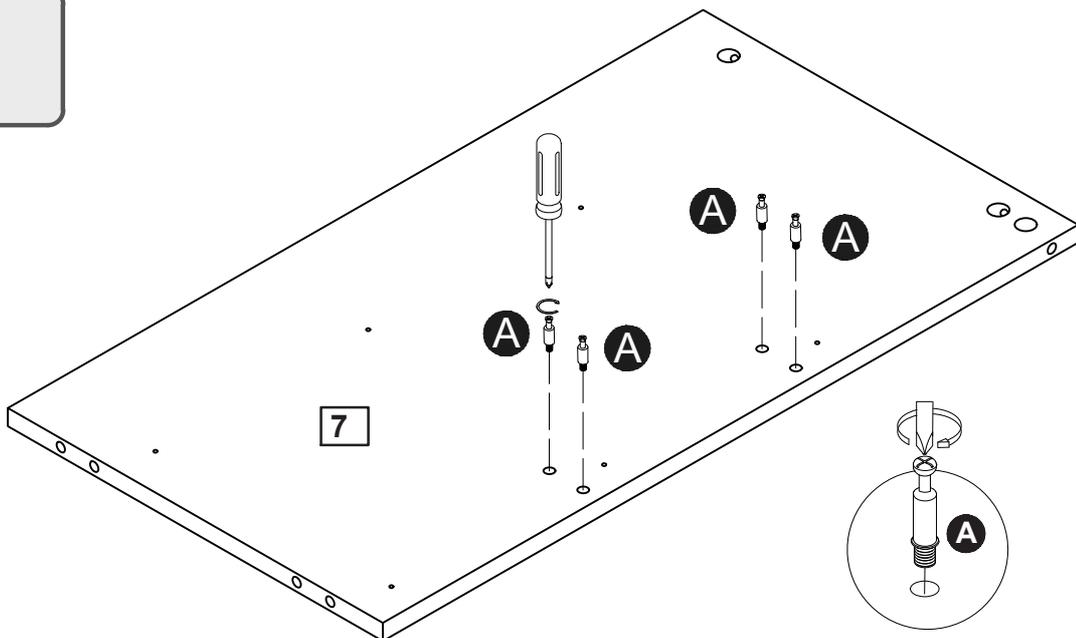
# Assembly Instructions

## Step 9



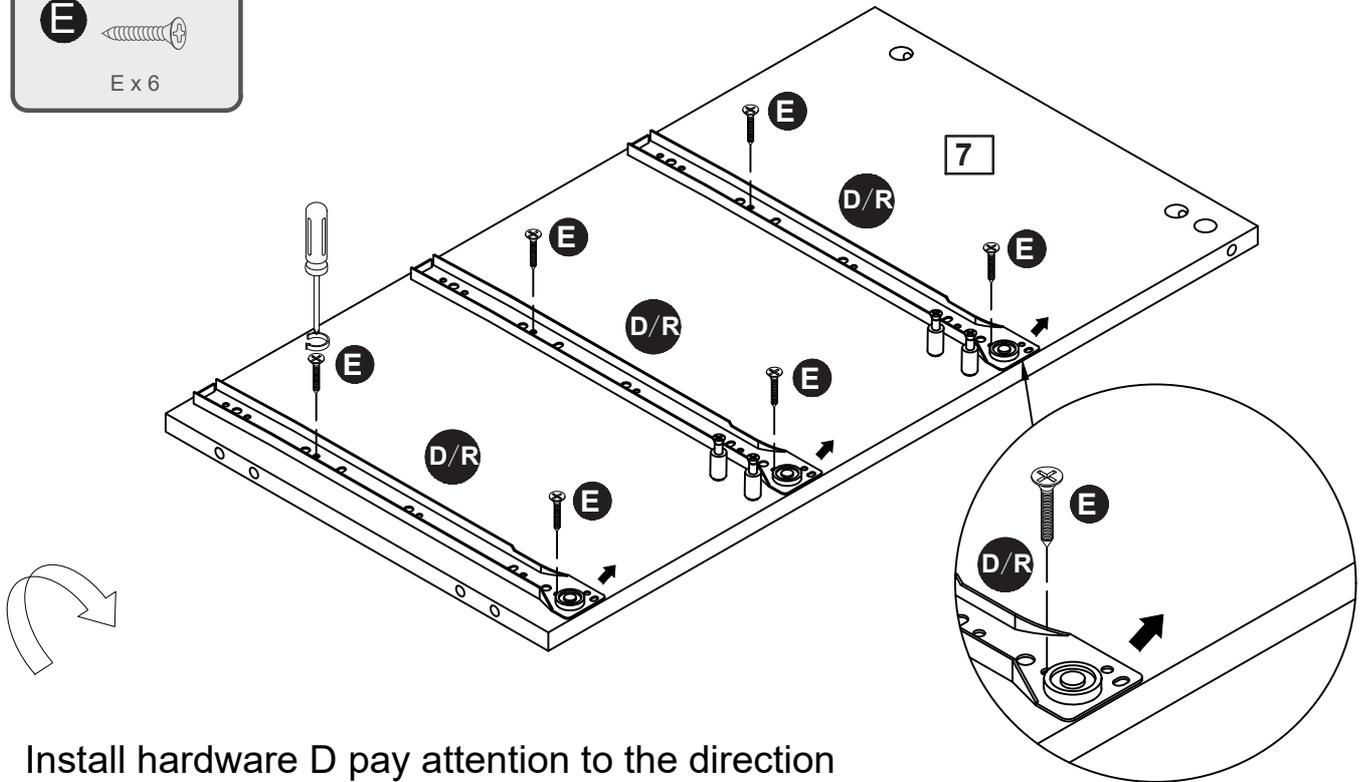
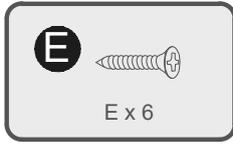
Install hardware D pay attention to the direction

## Step 10



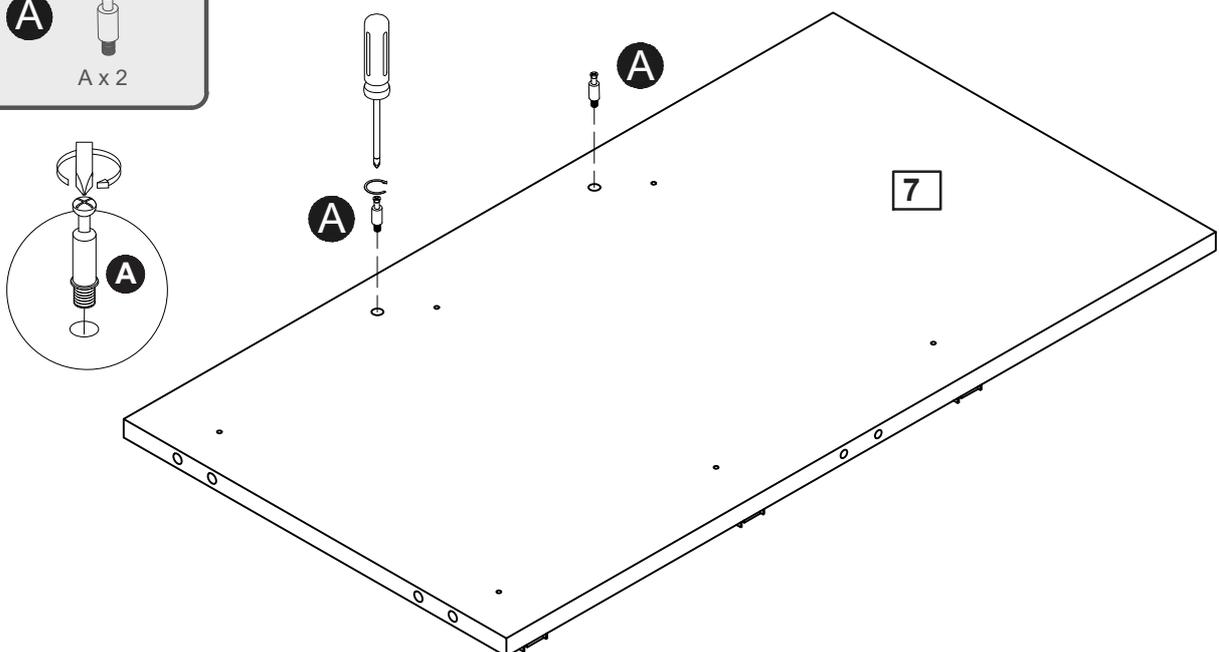
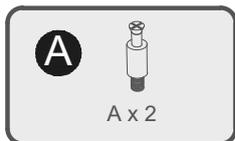
# Assembly Instructions

## Step 11



Install hardware D pay attention to the direction

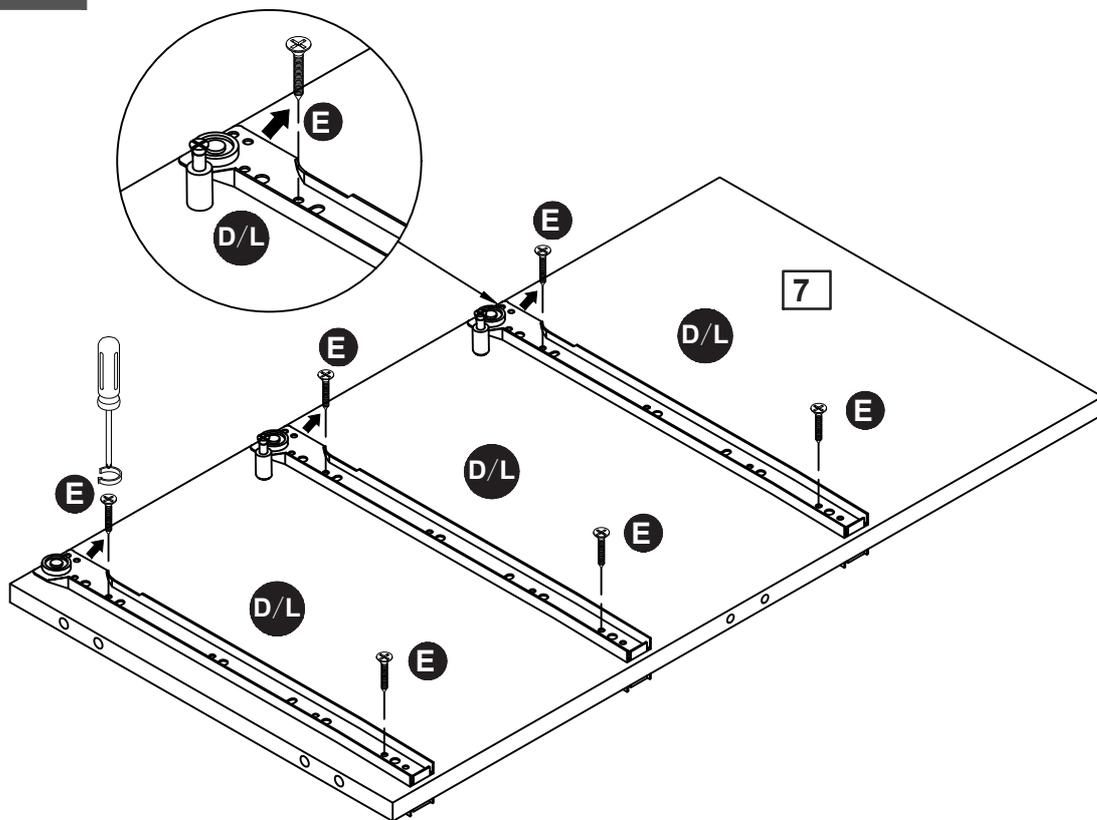
## Step 12



Flip and hit on the other side A screw

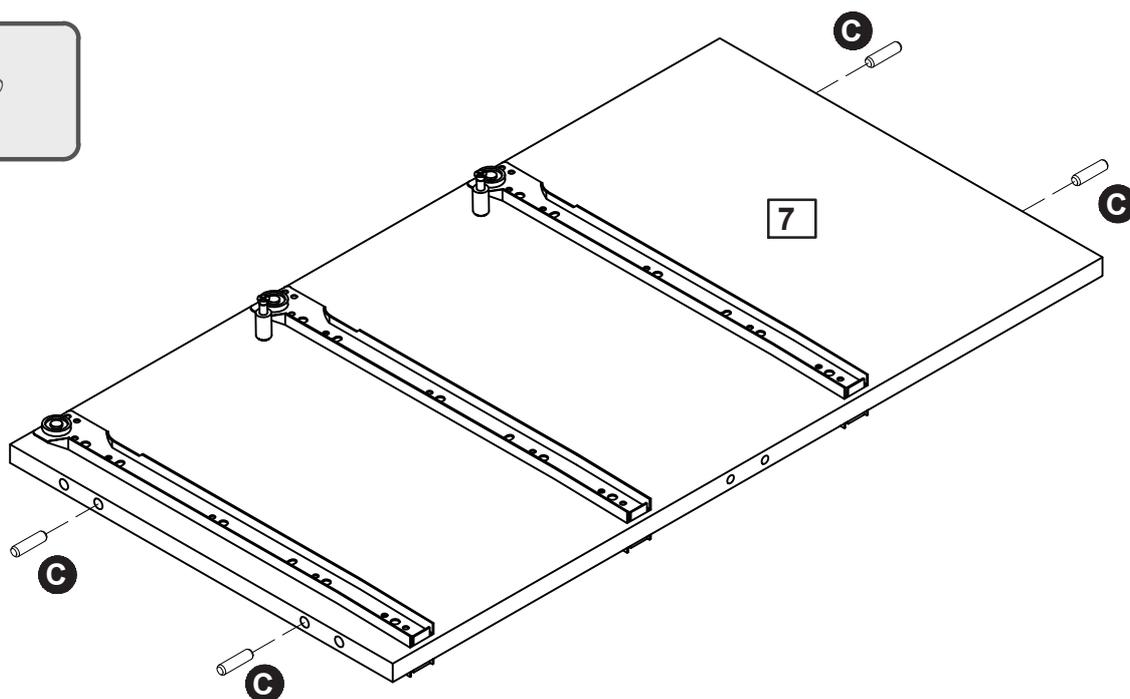
# Assembly Instructions

## Step 13



Install hardware D pay attention to the direction

## Step 14



# Assembly Instructions

## Step 15

**A**

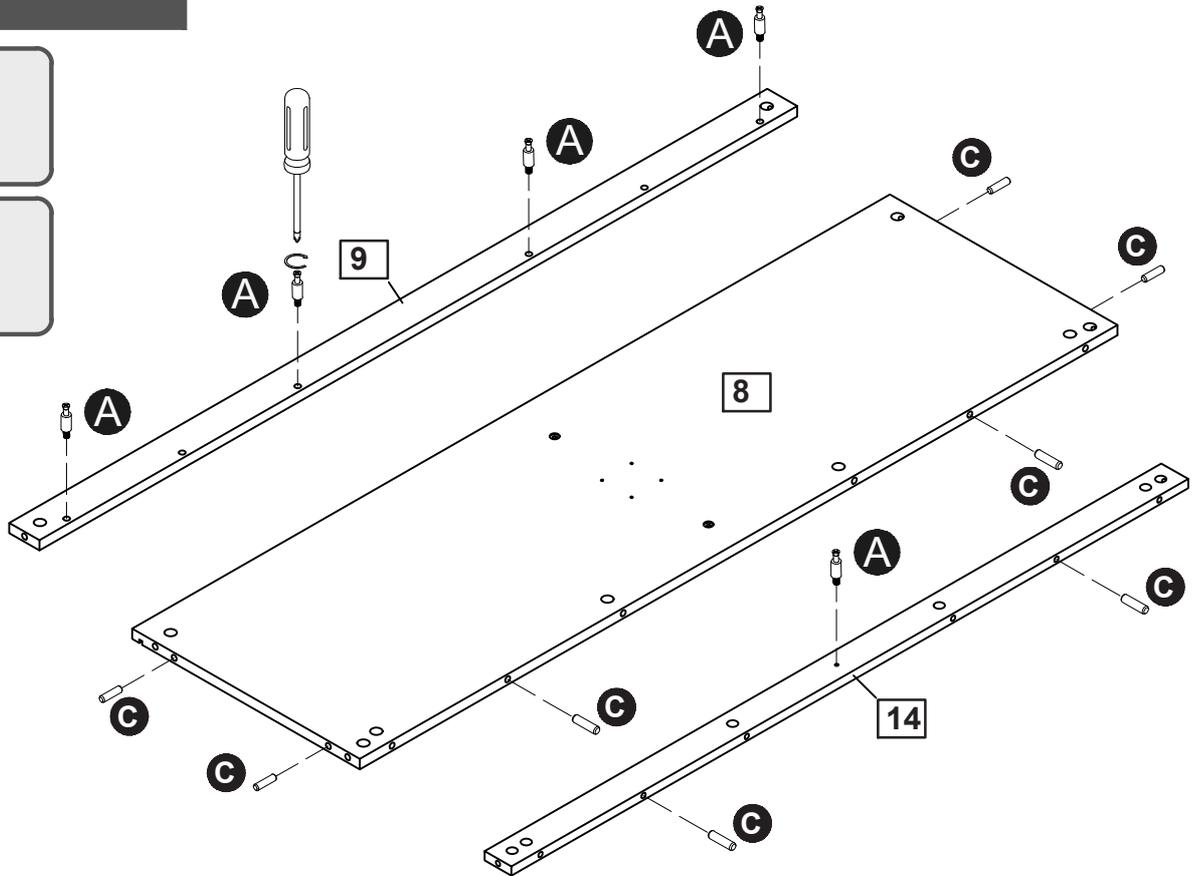
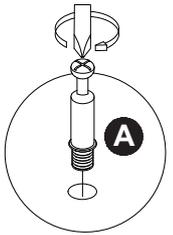


A x 5

**C**



C x 8

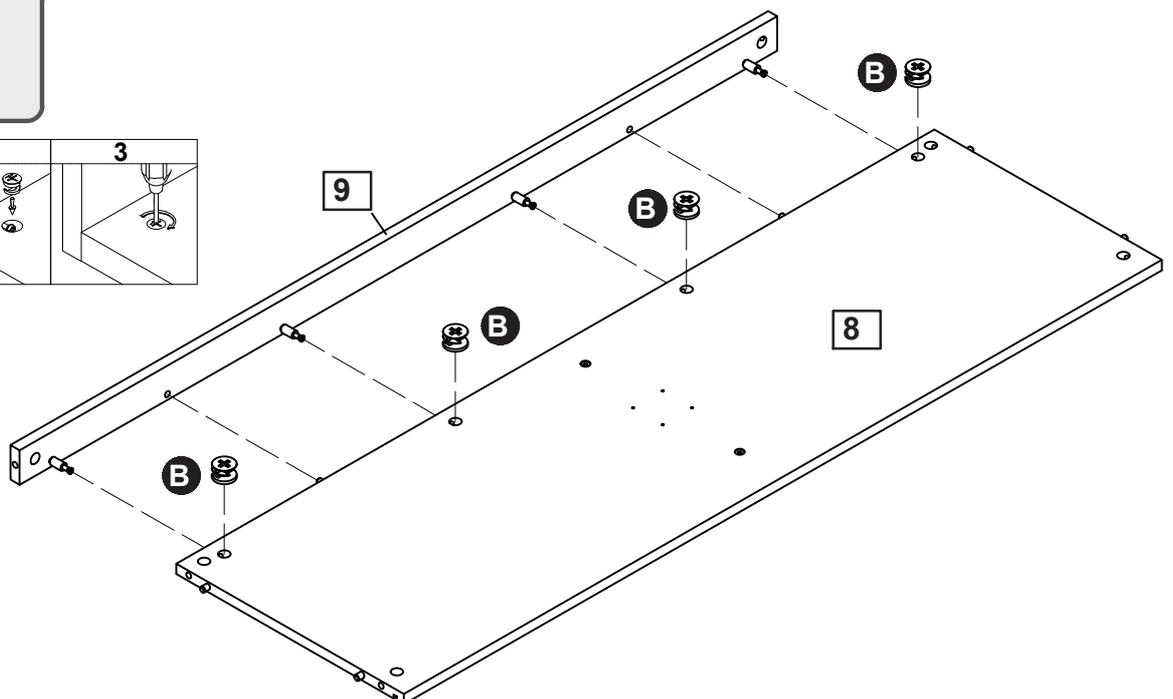
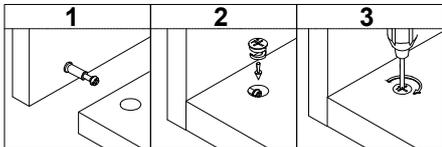


## Step 16

**B**

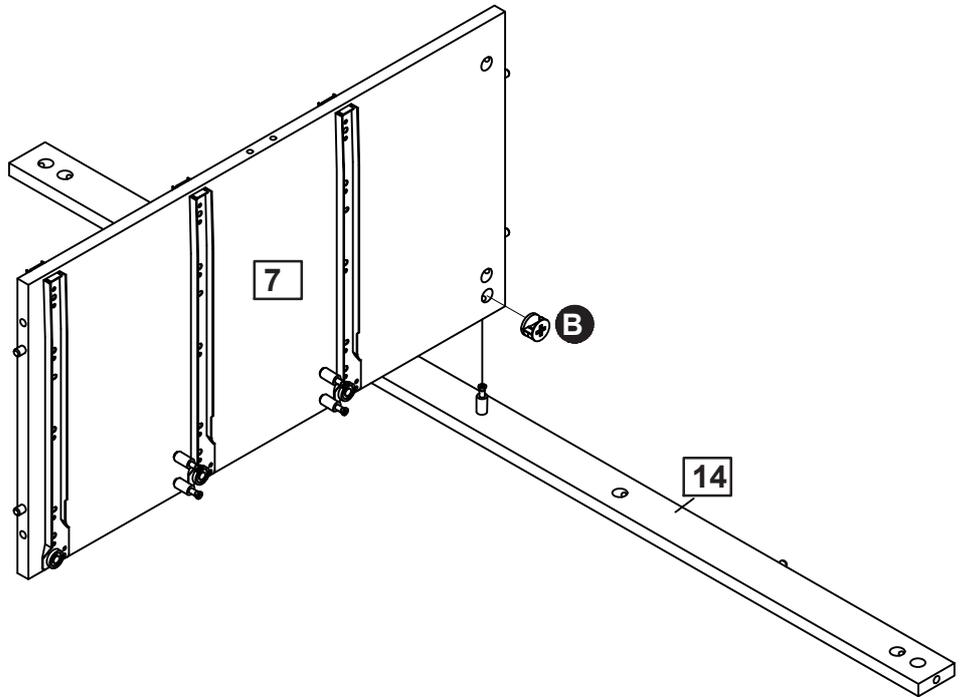
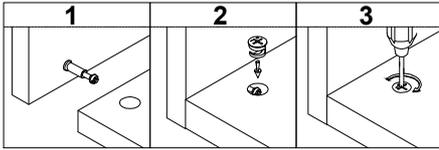


B x 4



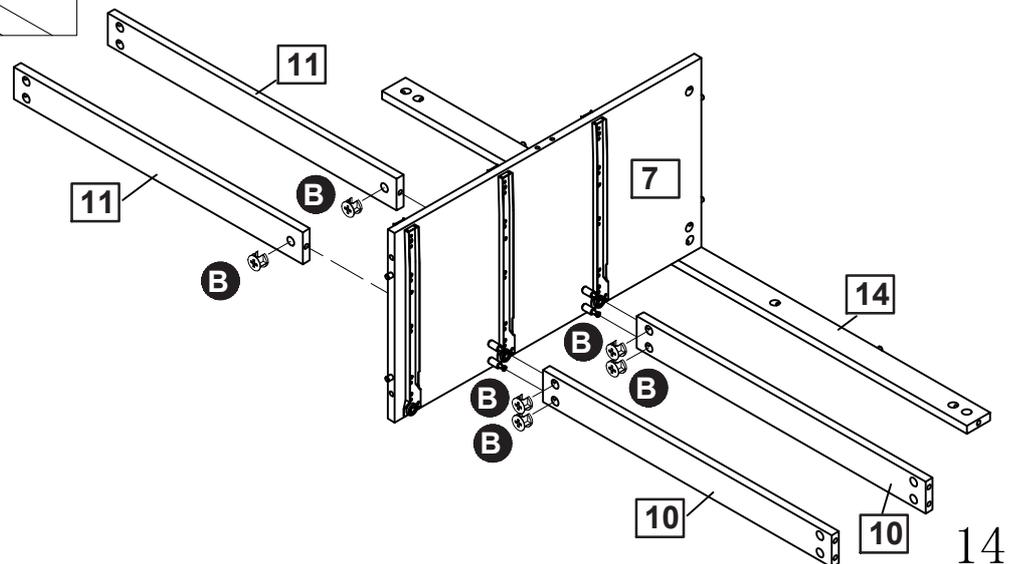
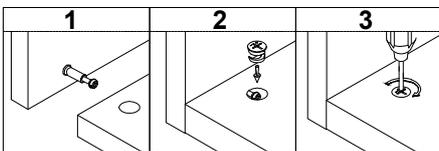
# Assembly Instructions

## Step 17



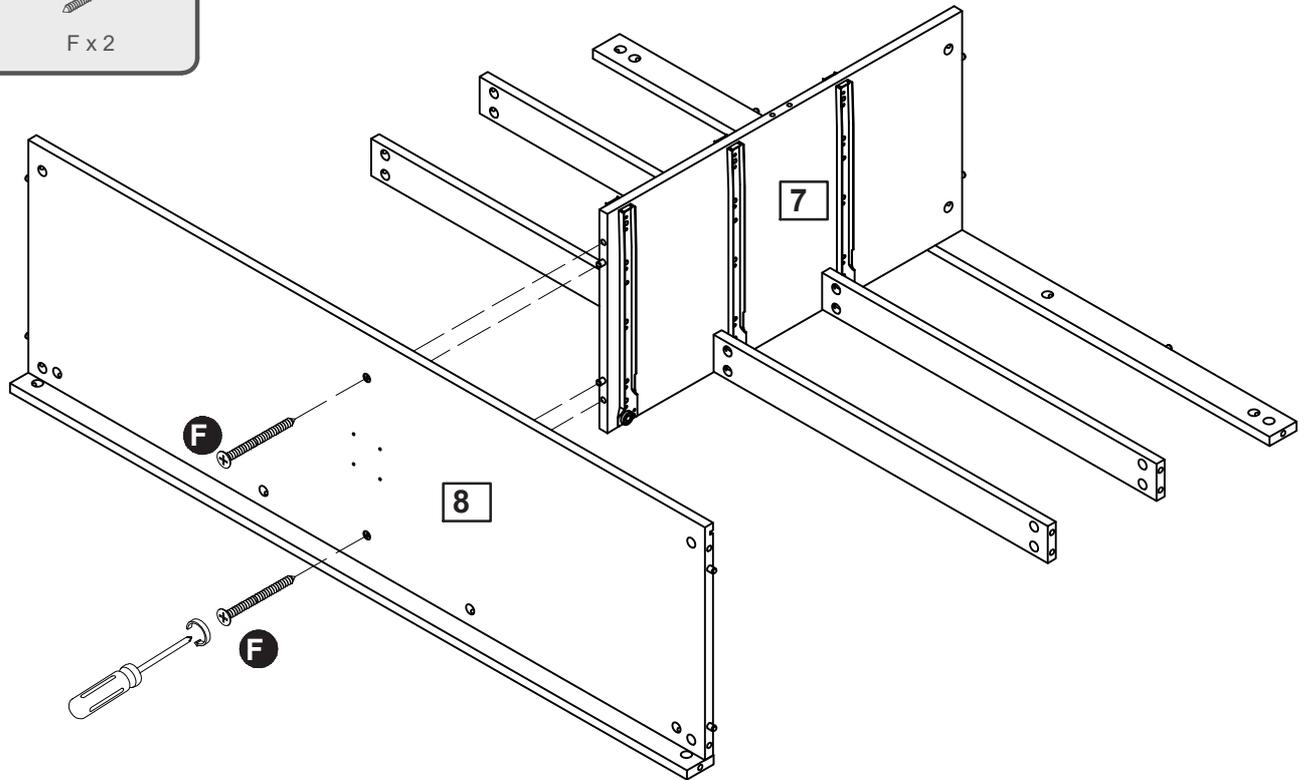
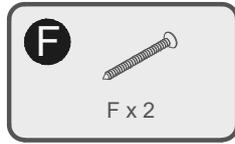
Please pay attention to the direction of plate when installing plate No. 14

## Step 18

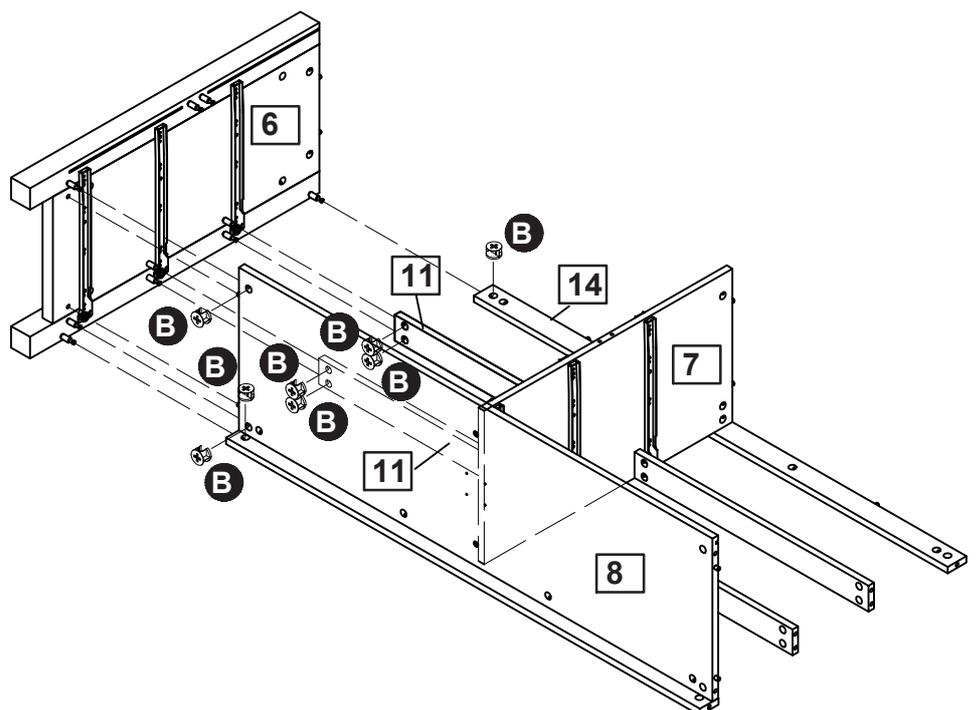
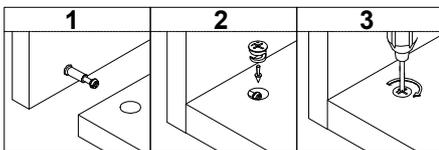


# Assembly Instructions

## Step 19



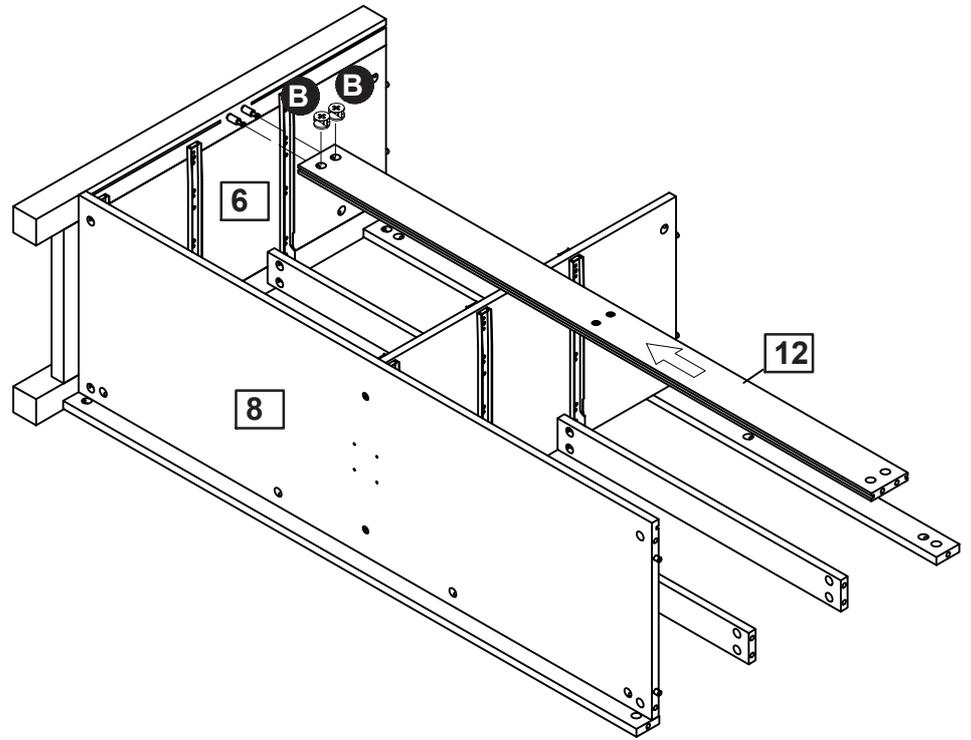
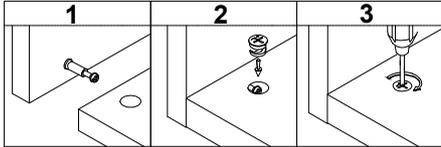
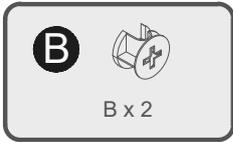
## Step 20



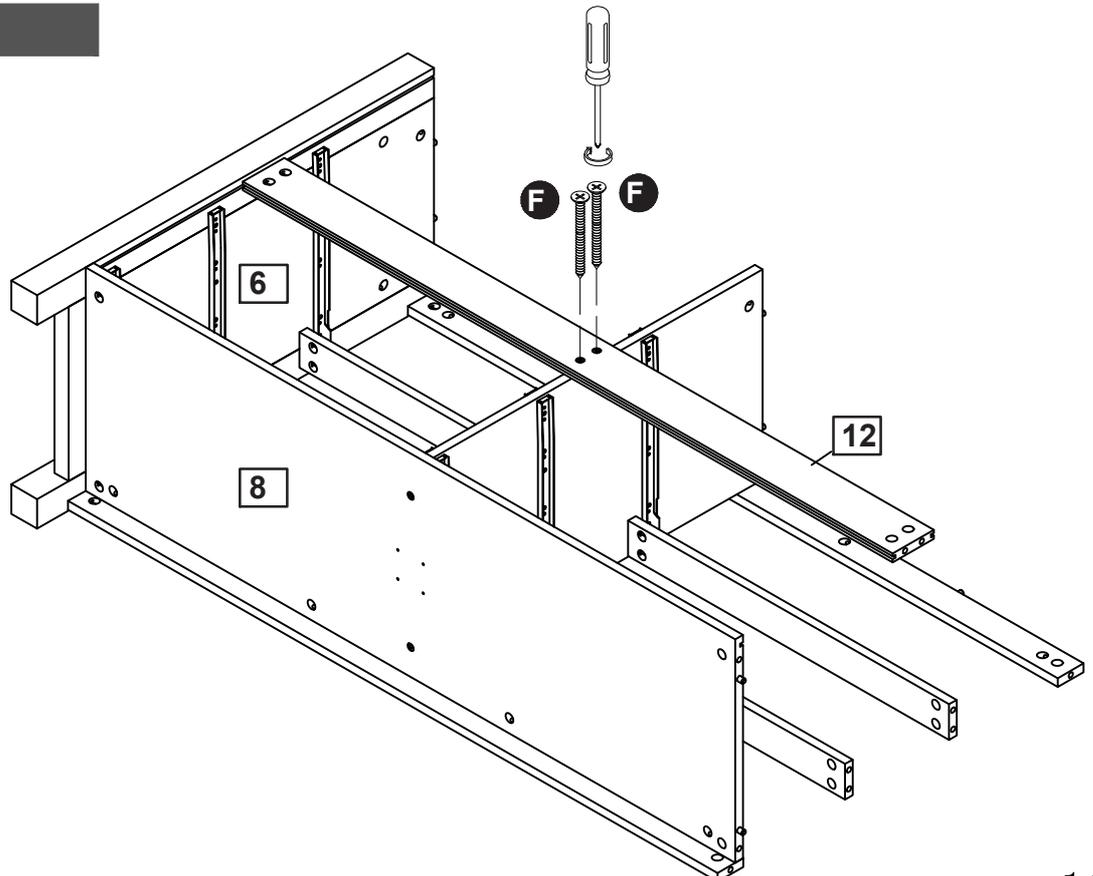


# Assembly Instructions

## Step 21

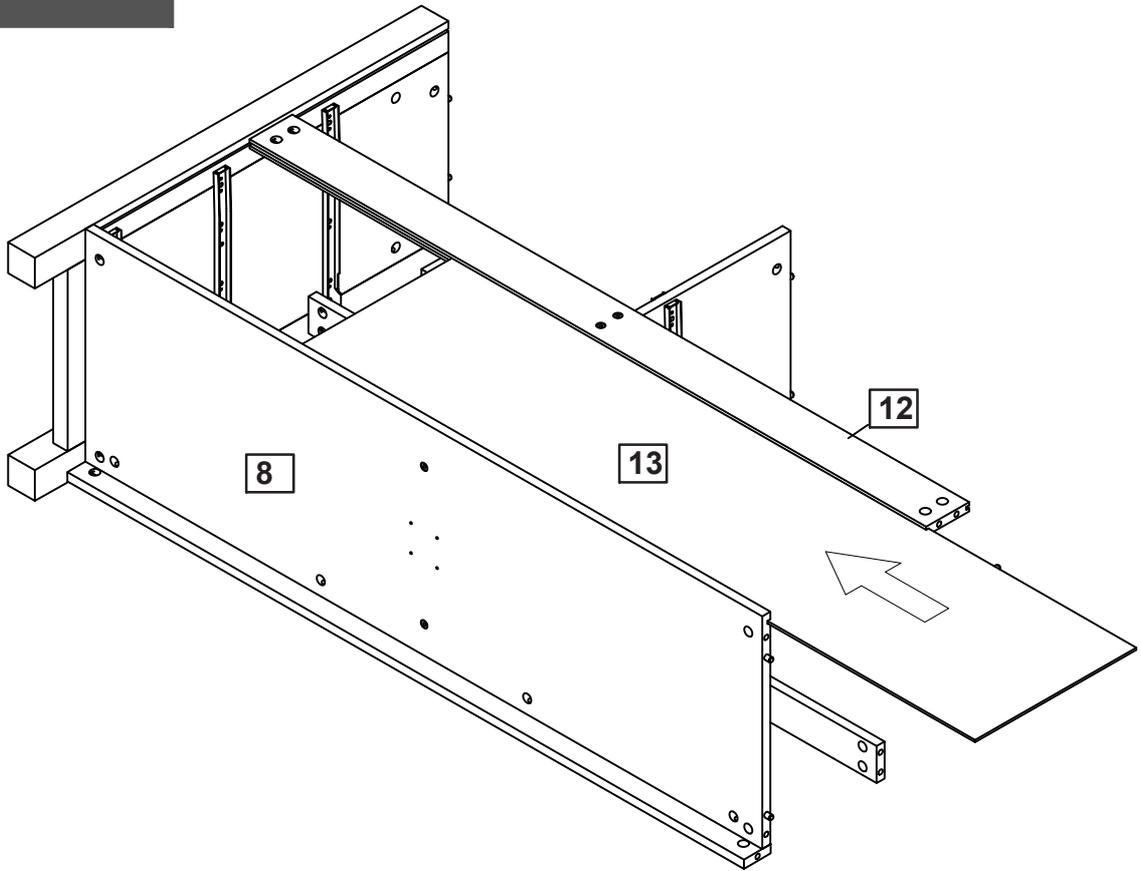


## Step 22

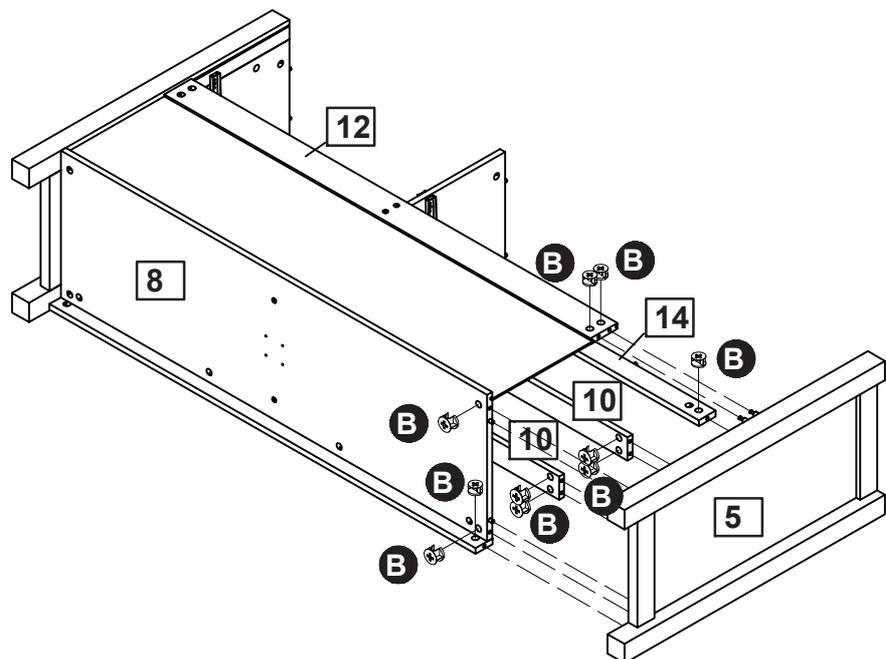
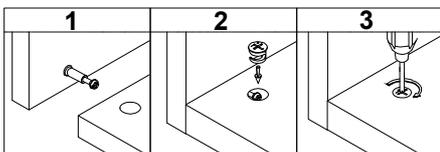


# Assembly Instructions

## Step 23

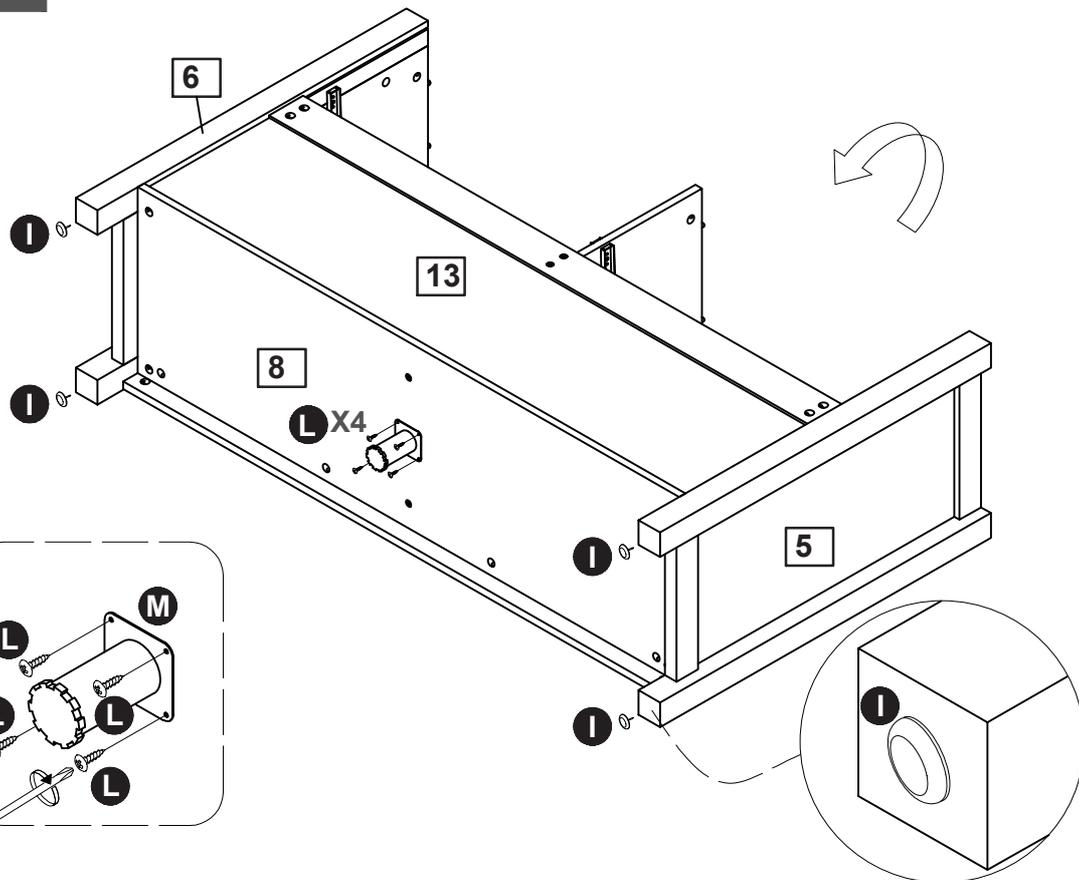
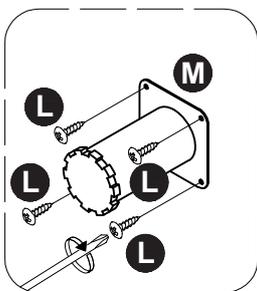
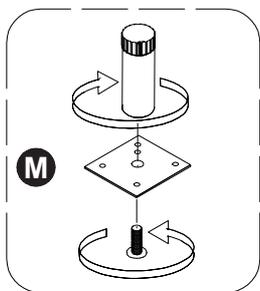


## Step 24

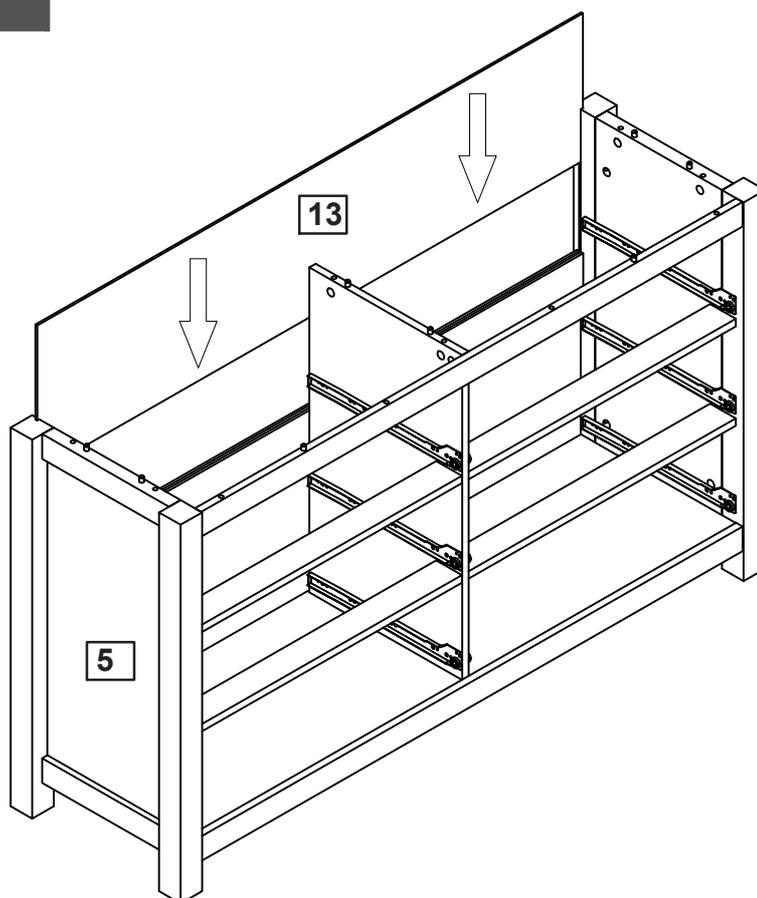


# Assembly Instructions

## Step 25

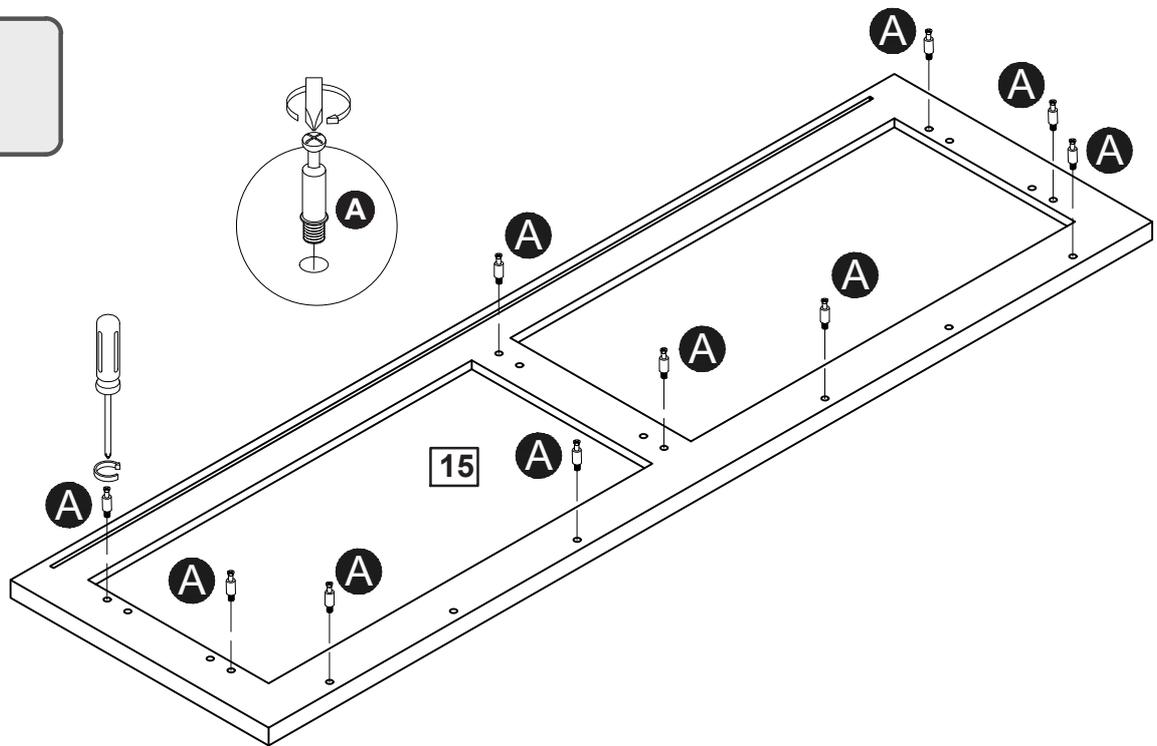
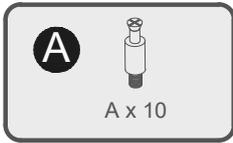


## Step 26

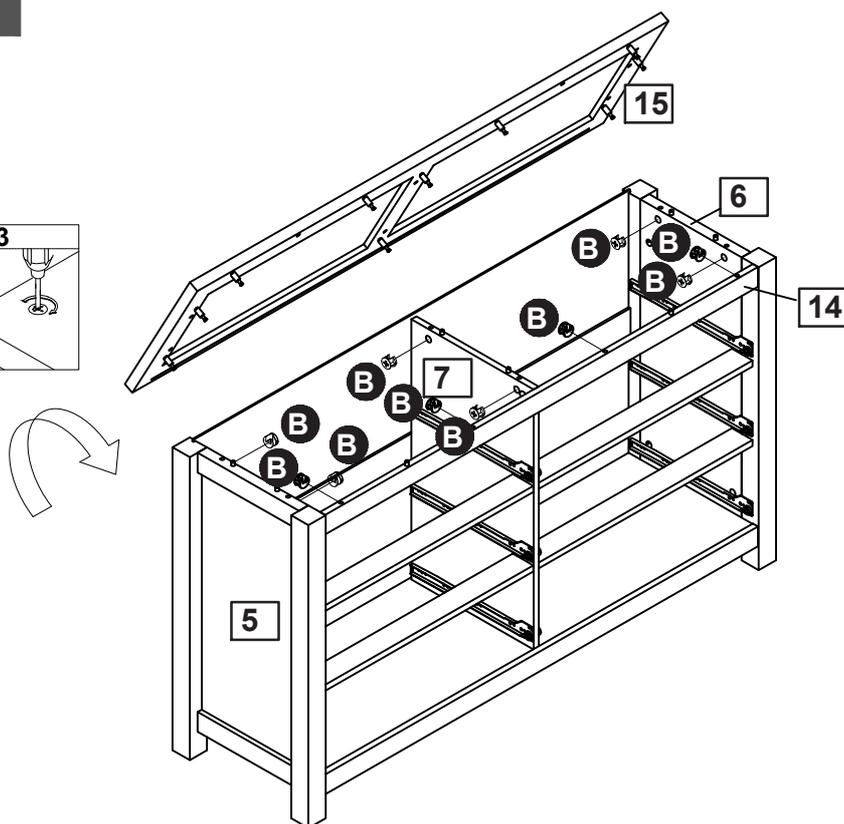
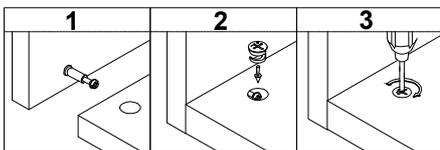


# Assembly Instructions

## Step 27



## Step 28



# Assembly Instructions

## Step 29

**A**

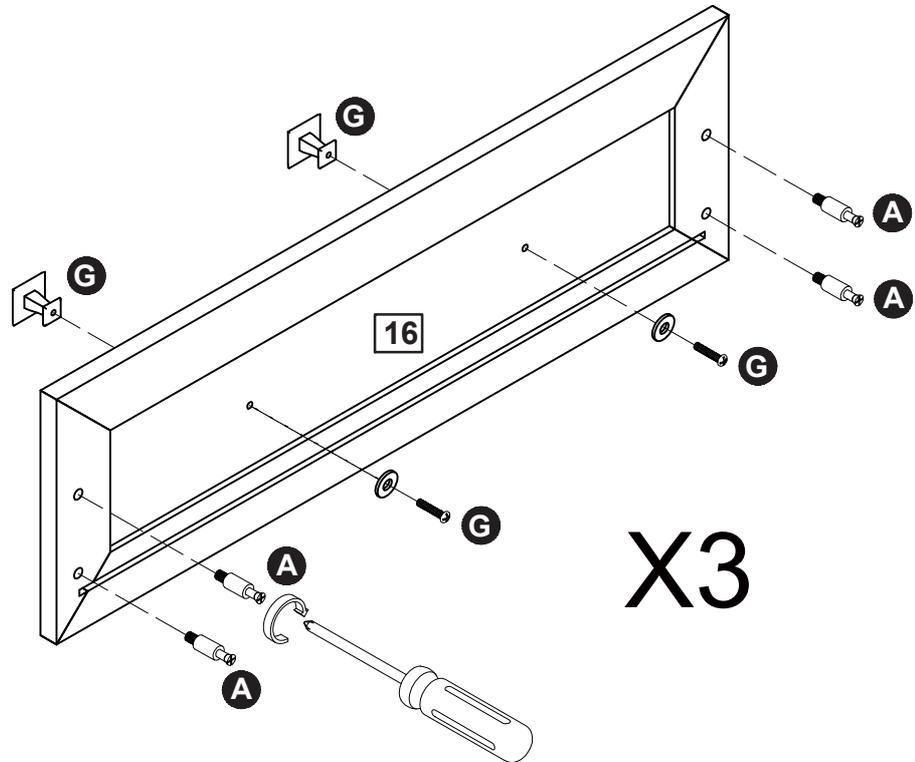
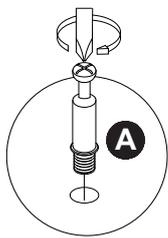


A x 12

**G**



G x 6

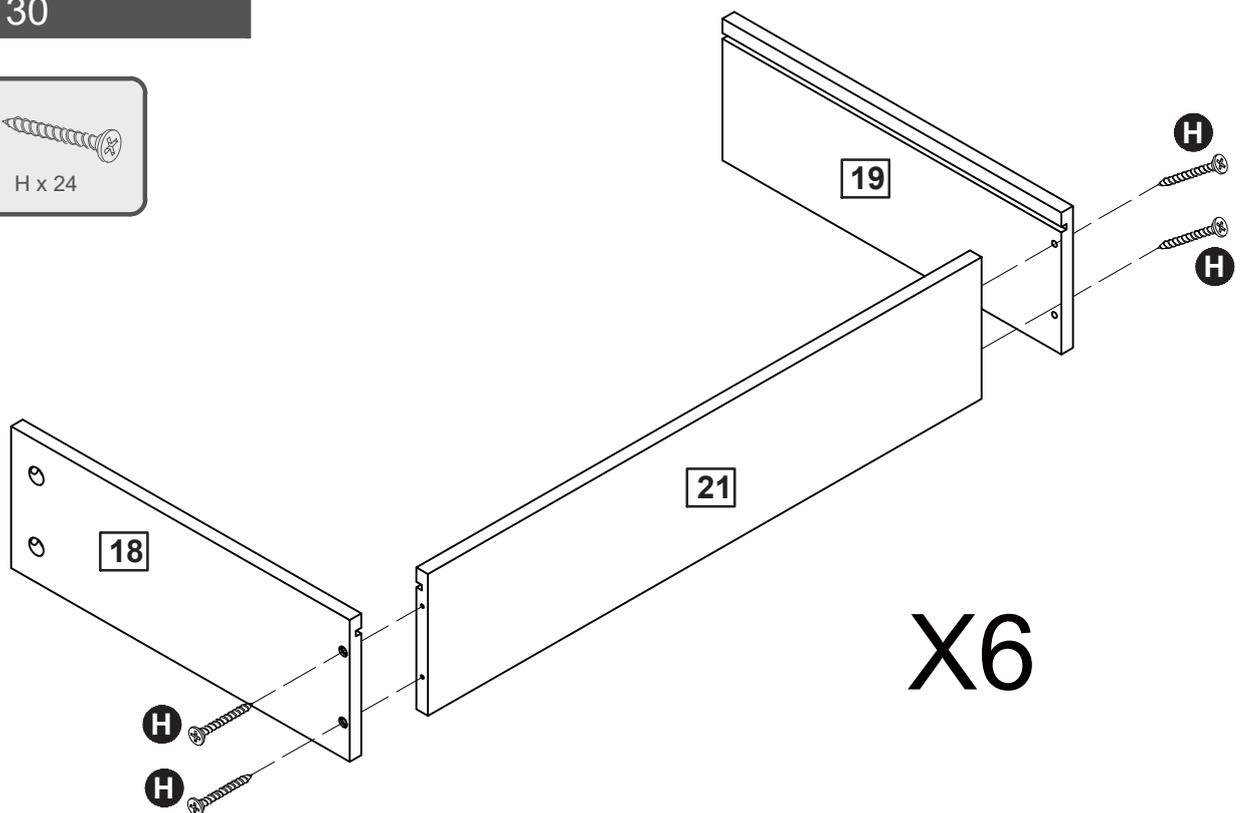


## Step 30

**H**

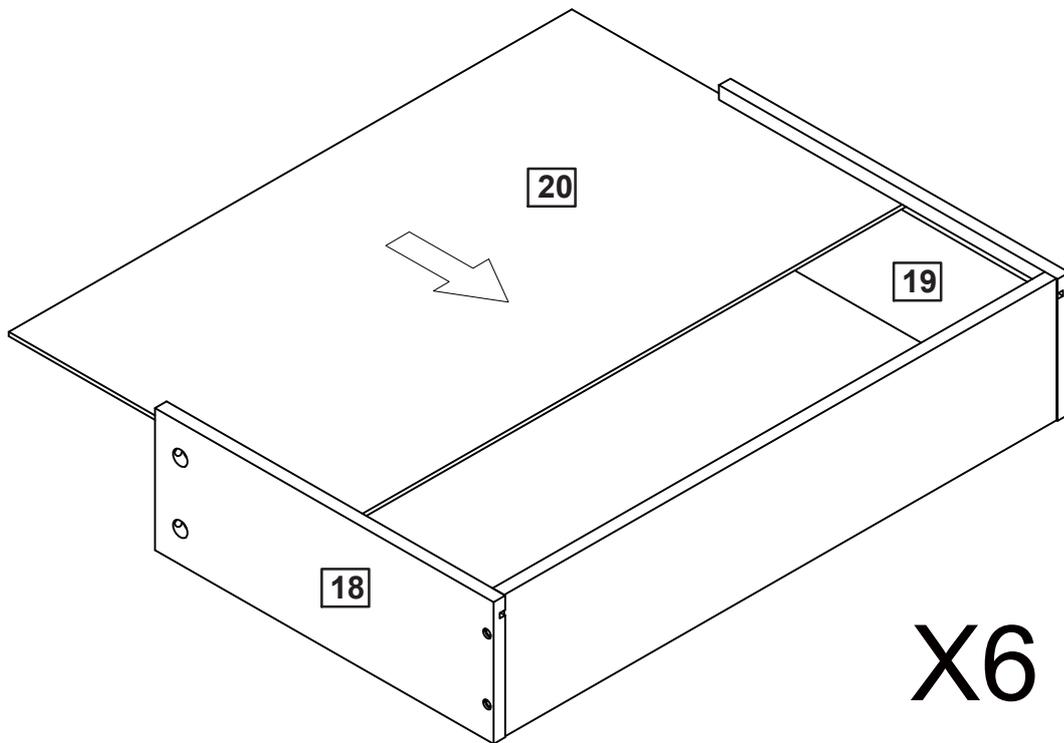


H x 24

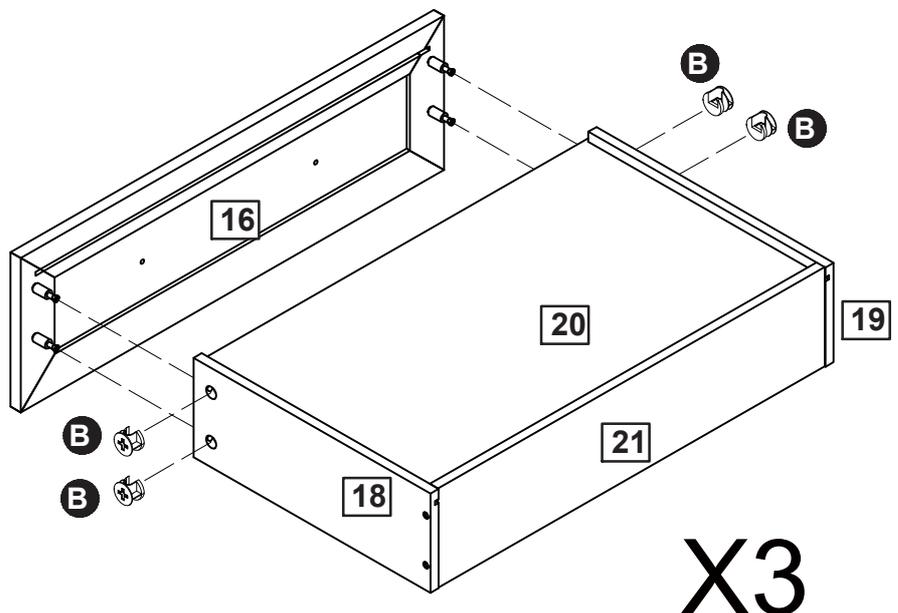
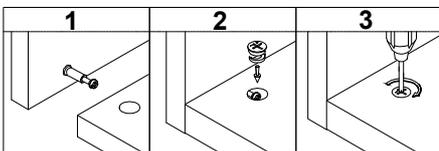


# Assembly Instructions

## Step 31

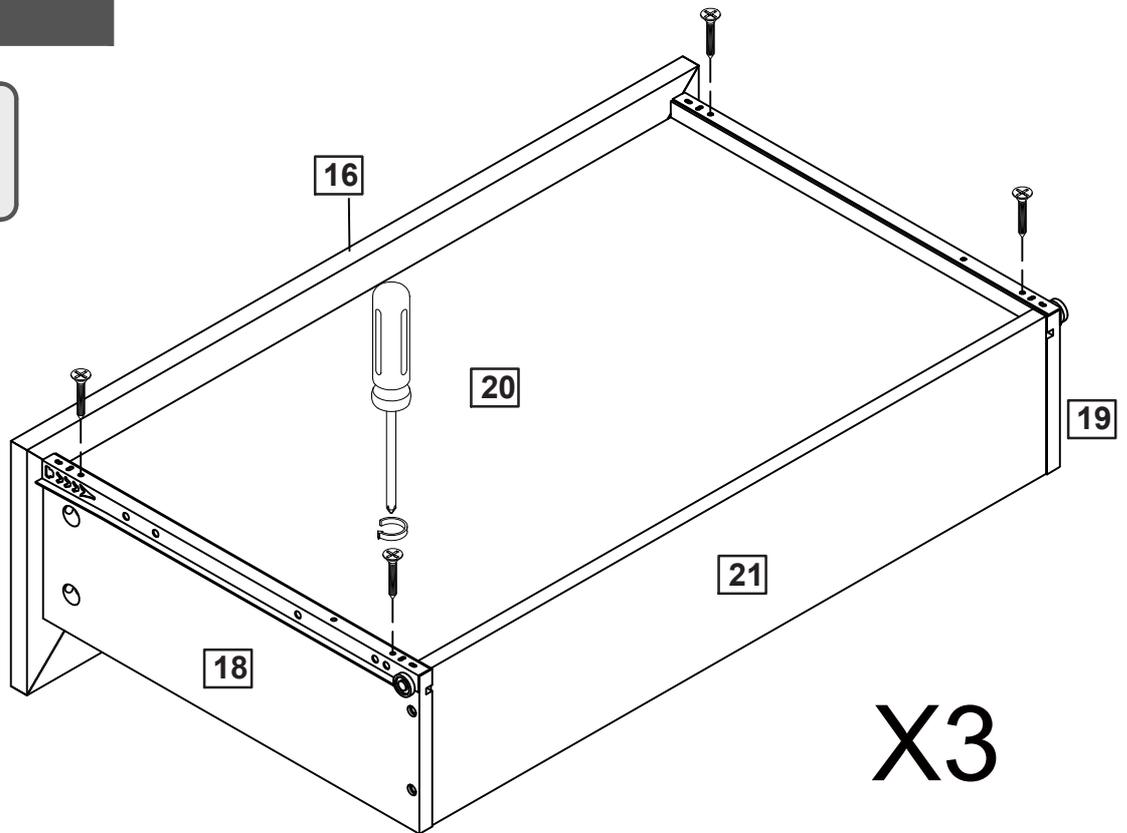


## Step 32

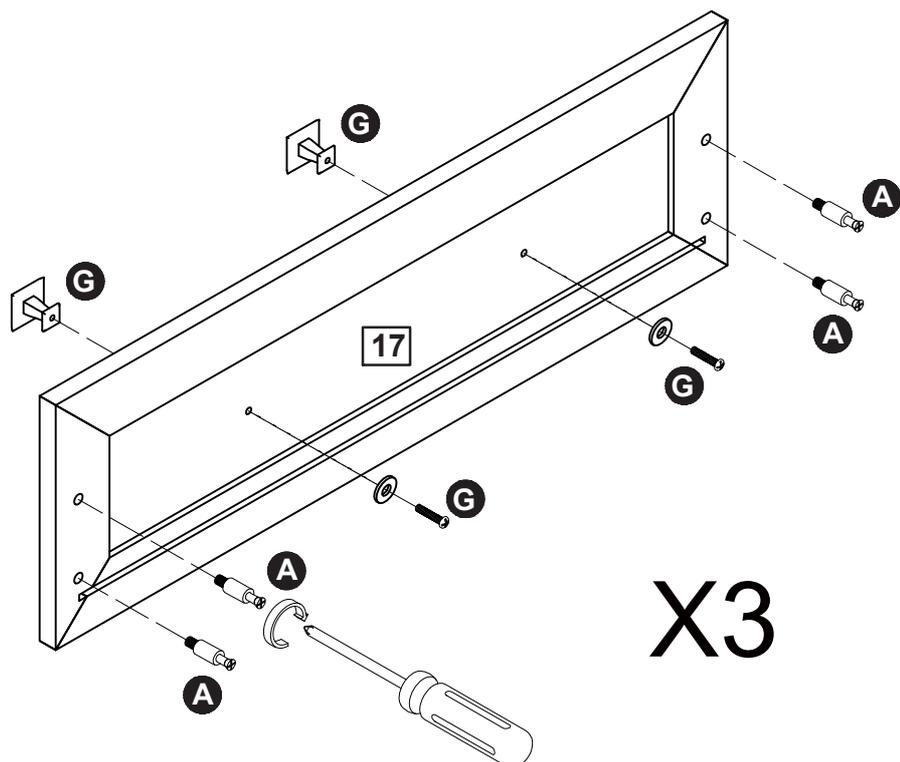
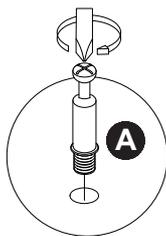


# Assembly Instructions

## Step 33



## Step 34



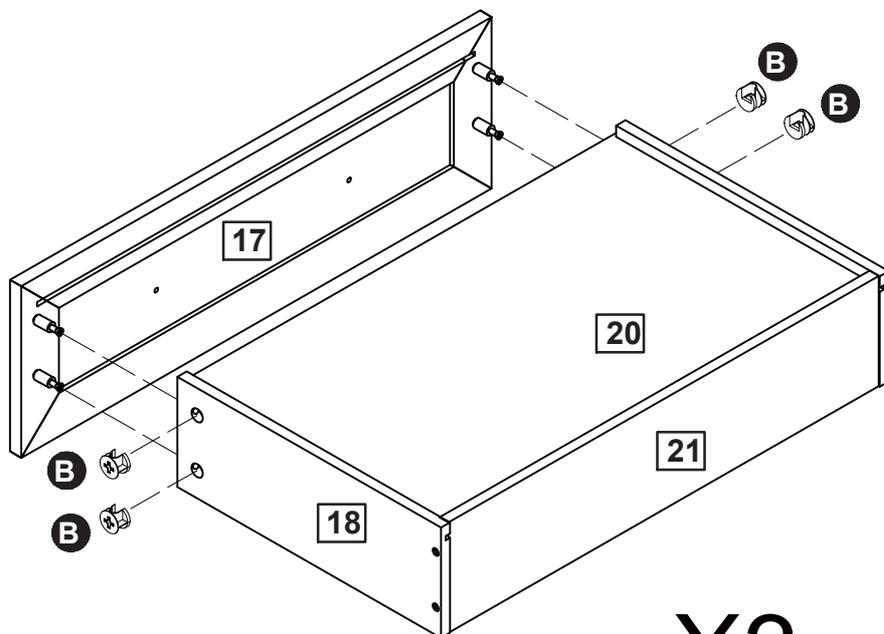
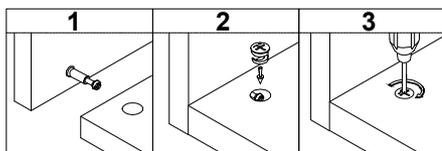
# Assembly Instructions

## Step 35

**B**



B x 12



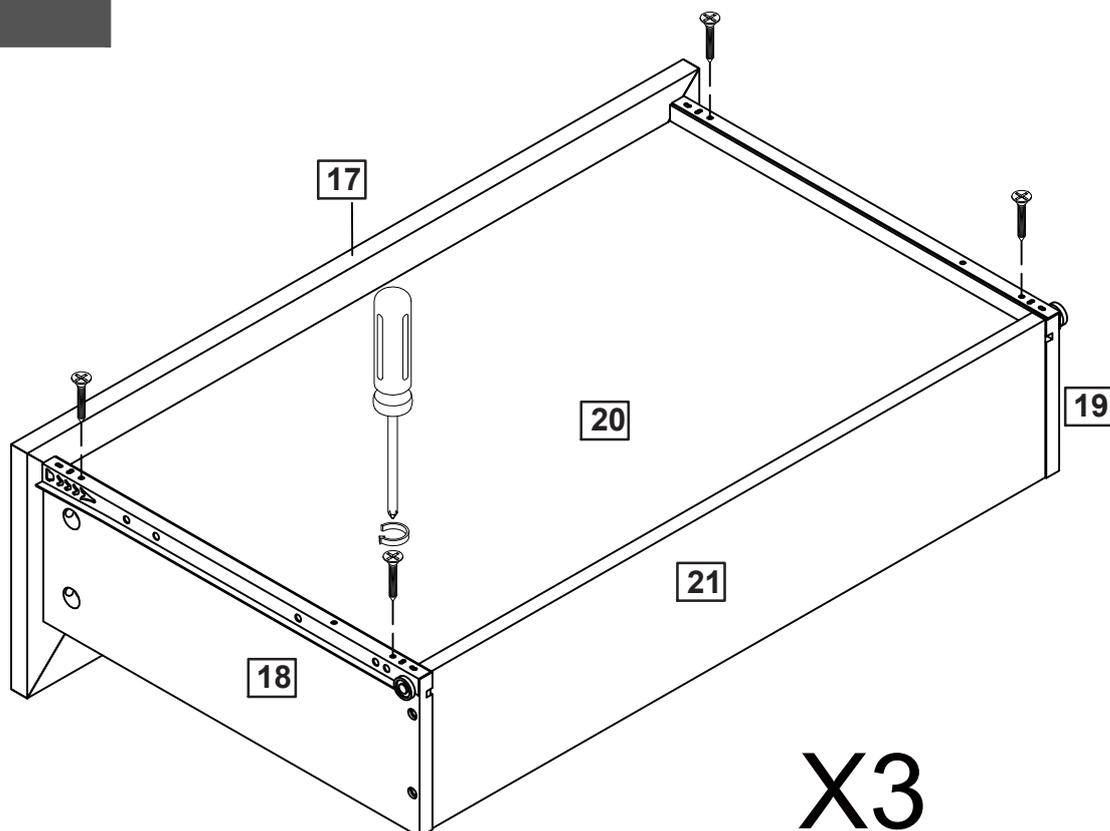
**X3**

## Step 36

**E**



E x 12

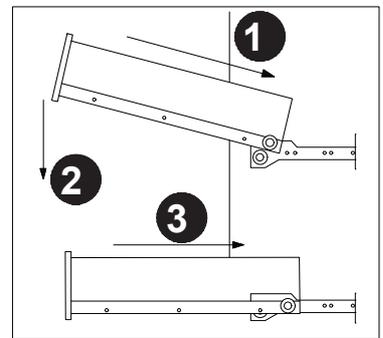
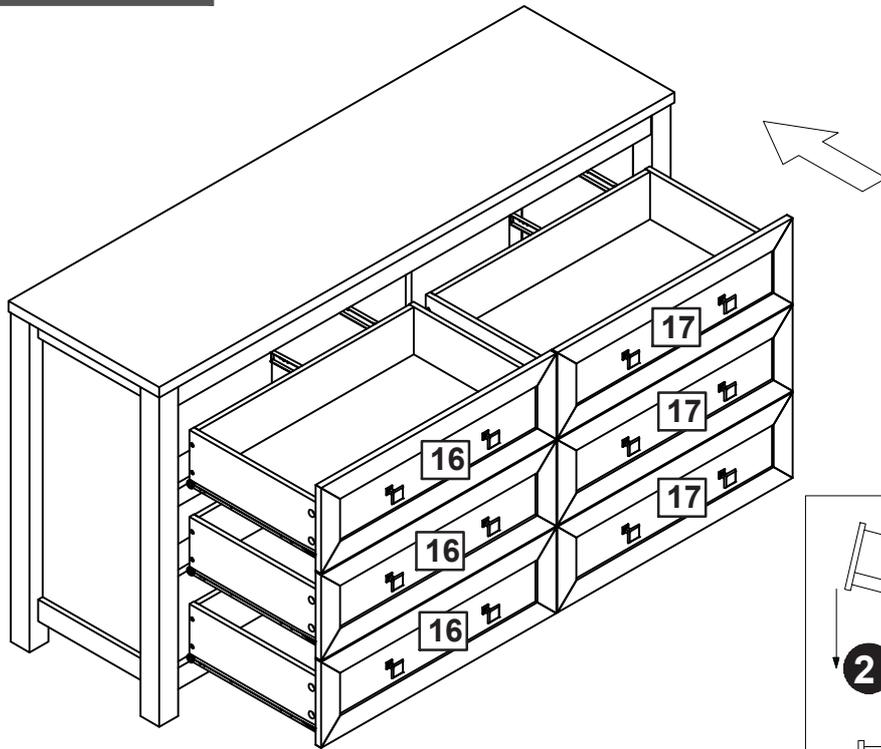


**X3**

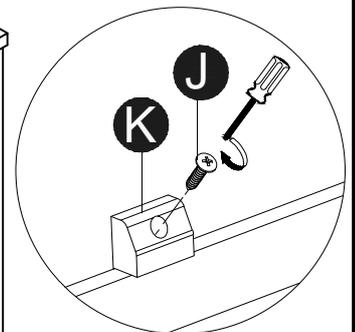
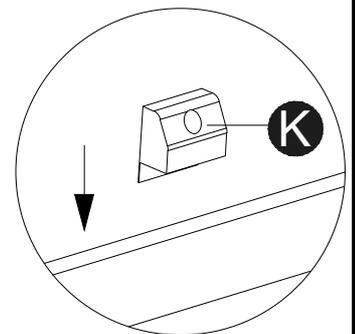
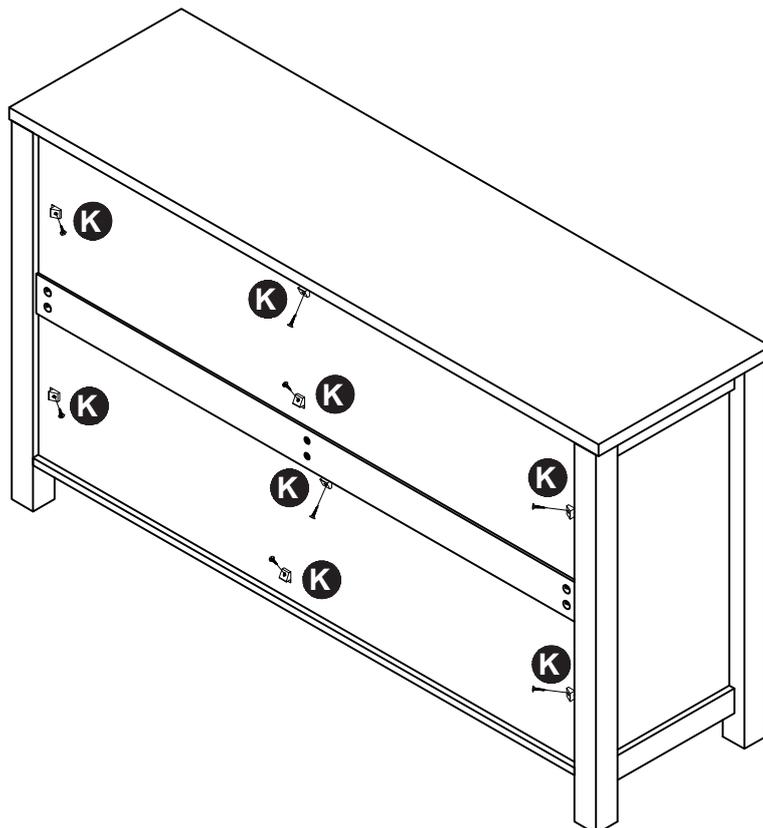
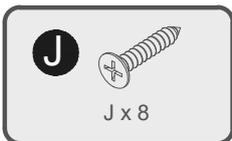


# Assembly Instructions

## Step 37



## Step 38



# Assembly Instructions

## Step 39

The unit is floor standing, but it is recommended that the unit is secured to the wall.

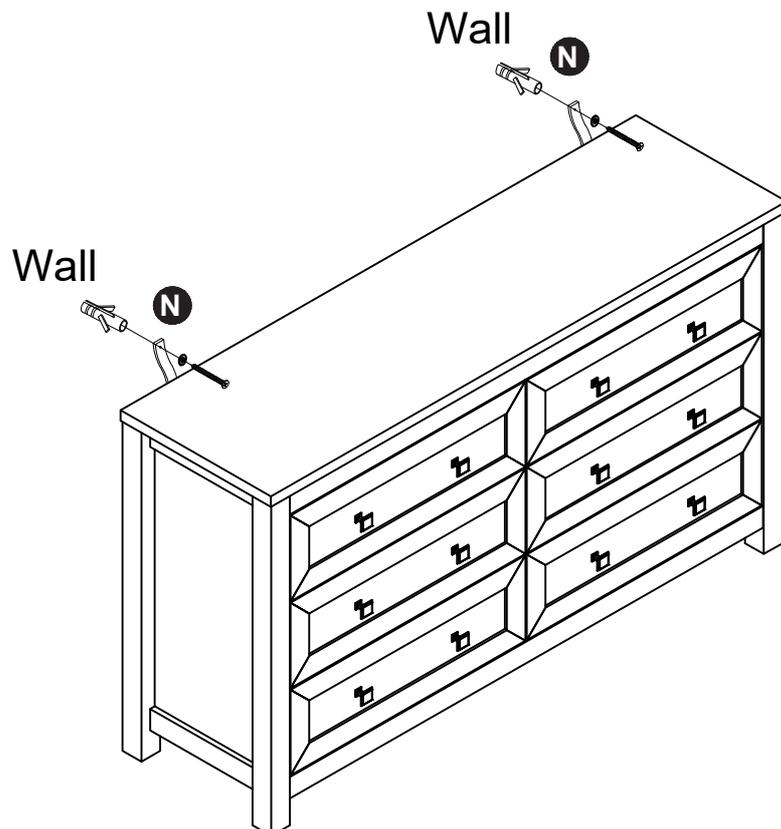
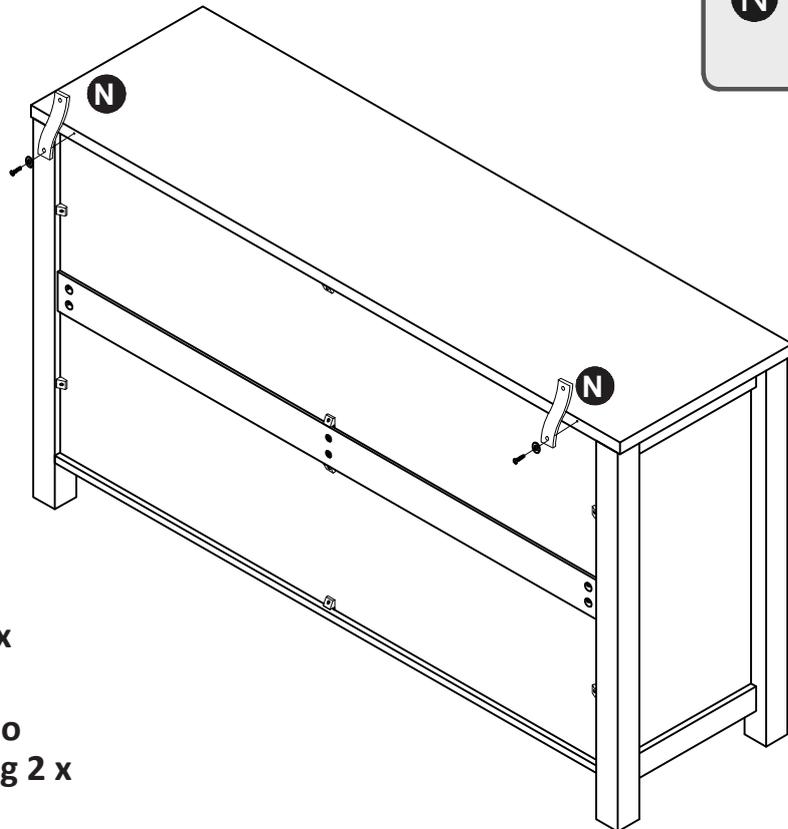
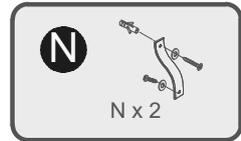
1. Move the unit into desired position.
2. Mark the wall with a suitable scribe the position of the fixing holes.



**Warning:**  
Before drilling, check wall for hidden pipes and cables.

3. Drill holes and insert 2 x wall plug
4. Attach 2 x Wall Straps to the top of the unit using 2 x Washers and 2 x Screws
5. Secure the straps to the wall using 2 x Washers and 2 x Screws

**Note:** To hide the straps behind the unit, drill the holes lower than the top of the unit



Assembly is complete.

# A Guide to Wall Mounting & Fixings

## Important note:

If plastic wall plugs (rawl plugs) are supplied with your product, e.g.:



- these are only suitable for use in masonry walls.

If you are in any doubt about the correct wall plugs for your wall, seek professional advice.

Failure of the product due to using the incorrect fixings is the responsibility of the installer.



**Important:** when drilling into walls always check that there are no hidden wires or pipes etc.

Make sure that the screws and wall plugs being used are suitable for **supporting your unit**. **Consult a qualified tradesperson if you are unsure.**

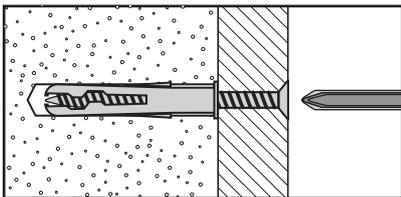
Hints:

- 1: General rule:  always use a larger screw and wall plug if you are not sure.
- 2: Ensure you use the recommended drill bit to match the wall plug and hole size.
- 3: Ensure you drill the hole horizontally; do not force the drill or enlarge the hole.
- 4: Take extra care when drilling high walls, ceilings and ceramic tiles. Ensure wall plugs are inserted beyond the thickness of the ceramic tiles to avoid the tiles splitting or cracking.
- 5: Ensure wall plugs are well fitted and are a tight fit in the drilled hole.

## Types of walls

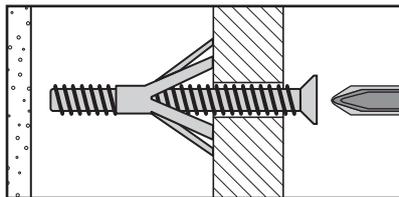
You can use one of the following types of wall plug if your walls are made of brick, breeze block, concrete, stone or wood.

No.1 "General Purpose" wall plug



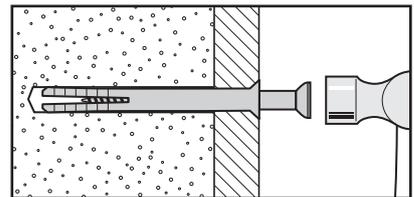
Generally aerated blocks should not be used to support heavy loads, use a specialist fitting in this case. For light loads, general purpose wall plugs can be used.

No.3 "Cavity Fixing" wall plug



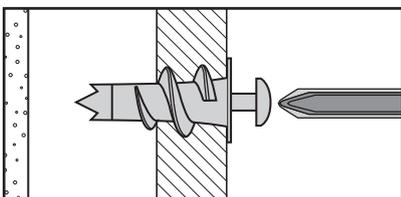
For use with plasterboard partitions or hollow wooden doors.

No.5 "Hammer Fixing" wall plug



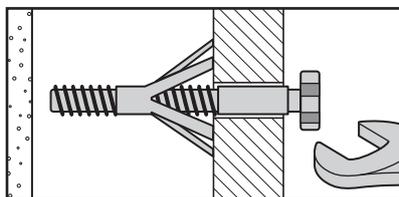
For use with walls stuck with plasterboard. The hammer fixing allows it to be fixed to the wall rather than the plasterboard. Always check the fixing is secure to the retaining wall.

No.2 "Plasterboard" wall plug



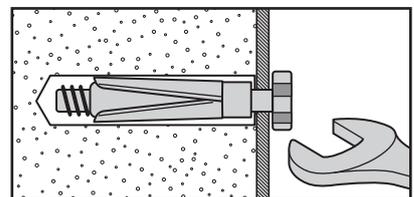
For use when attaching light loads onto plasterboard partitions.

No.4 "Cavity Fixing - Heavy Duty" wall plug



For use when fitting or supporting heavy loads such as shelving, wall cabinets and coat racks.

No.6 "Shield Anchor" wall plug - heavy loads



For use with heavier loads such as TV and HiFi speakers and satellite dishes etc.



## Care & Maintenance

**Safety:** always check the fitting and location to ensure your safety in and around the home.

**Fitting:** from time to time check the fitting to ensure the wall plugs or screws do not become loose.