

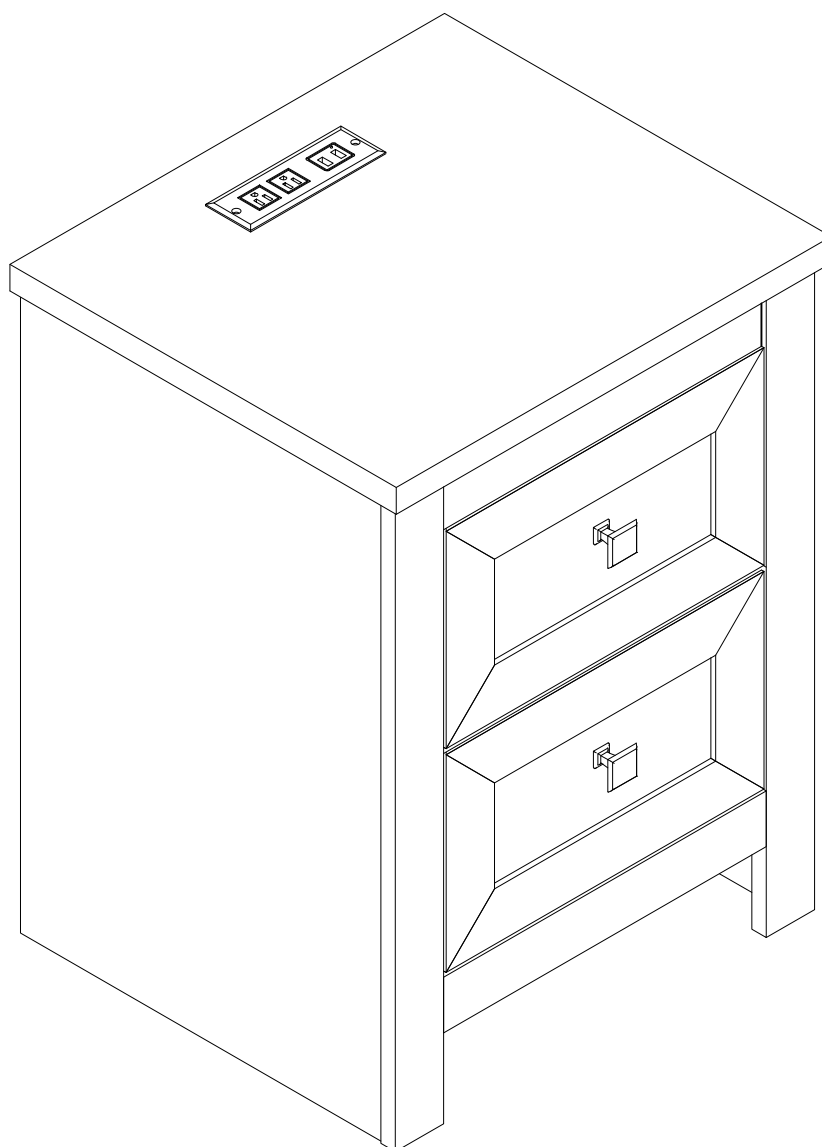
# Nightstand

Assembly Instructions - Please keep for future reference

1061100142B

1061100143B

1061100144B



## Dimensions

Width - 450mm

Depth - 400mm

Height - 610mm

**Important – Please read these instructions fully before starting assembly**



# Safety and Care Advice

**Important – Please read these instructions fully before starting assembly**

- Check you have all the components and tools listed on the following pages.
- Remove all fittings from the plastic bags and separate them into their groups.
- Keep children and animals away from the work area, small parts could choke if swallowed.
- Make sure you have enough space to layout the parts before starting.

- During assembly do not stand or put weight on the product, this could cause damage.
- Assemble the item as close to its final position (in the same room) as possible.
- Assemble on a soft level surface to avoid damaging the unit or your floor.
- Parts of the assembly will be easier with 2 people.



- To reduce the likelihood of damaging your product please ensure that your power drill is set on a low torque setting.

## Care and maintenance

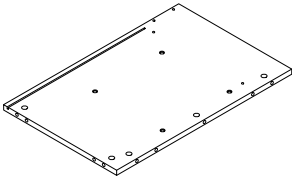
- Only clean using a damp cloth and mild detergent, do not use bleach or abrasive cleaners.
- From time to time check that there are no loose screws on this unit.
- This product should not be discarded with household waste. Take to your local authority waste disposal centre.

## Handy Hints

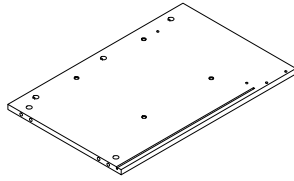
- Assemble all parts and bolts loosely during assembly, only once the product is complete should you fully tighten the bolts
- Regularly check and ensure That all bolts and fittings are tightend properly.

# Components - Panels

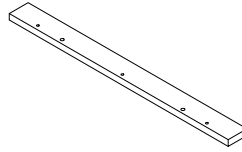
Please check you have all the panels listed below



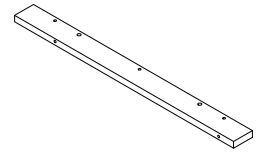
1 (580X375X15mm)X1



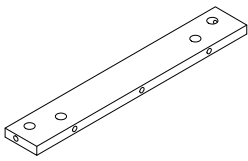
2 (580X375X15mm)X1



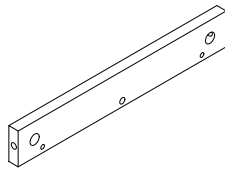
3 (580X50X15mm)X1



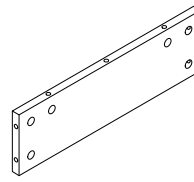
4 (580X50X15mm)X1



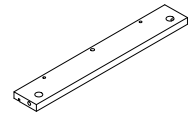
5 (400X60X15mm)X1



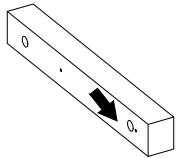
6 (334X50X15mm)X1



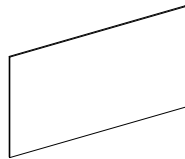
7 (400X116X15mm)X1



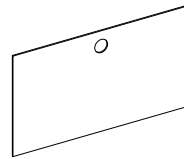
8 (400X60X15mm)X1



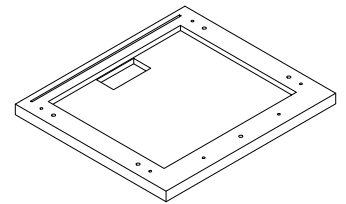
9 (300X40X33mm)X4



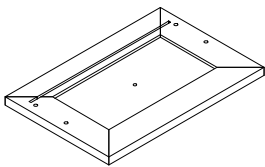
10 (410X229X3mm)X1



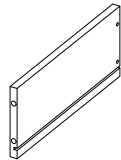
11 (410X229X3mm)X1



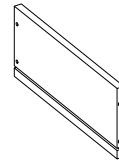
12 (450X400X25mm)X1



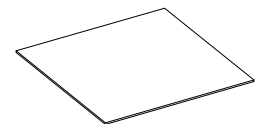
13 (328X195X15mm)X2



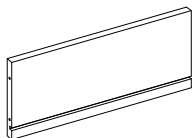
14 (300X118X12mm)X2



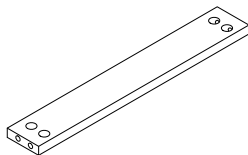
15 (300X118X12mm)X2



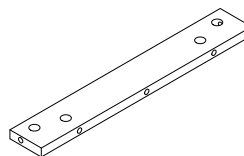
16 (295X297X3mm)X2



17 (285X118X12mm)X2



18 (400X60X15mm)X1




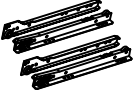
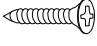
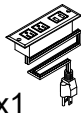




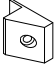





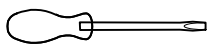
19 (334X50X15mm)X1

# Components - Fittings

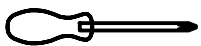
Please check you have all the panels listed below

**Note:** The quantities below are the correct amount to complete the assembly. In some cases more fittings may be supplied than are required.

<b>A</b>  Male Camlock x 40	<b>B</b>  Female Camlock x 40	<b>C</b>  Dowel x 11
<b>D</b>  Drawer slider 12" X 2	<b>E</b>  3*12mm Screw x 16	<b>F</b>  Socket x1
<b>G</b>  Handle & Fixings x 2	<b>H</b>  4*30mm Screw x 8	<b>I</b>  Protective Feet x 6
<b>J</b>  3*17mm Screw x 6	<b>K</b>  Plastic wedge x 6	<b>L</b>  3.5*14mm Screw x 2
<b>M</b>  6*35mm Screw x 8	<b>N</b>  399mm Screw x 1	



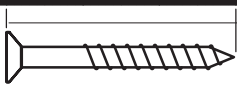
## Tools required



Phillips screwdriver  
(medium & large)

## Ruler - Use this ruler to help correctly identify the screws

0 5 10 15 20 25 30 35 40 45 50 55 60 65 70 75 80 85 90 95 100 105 110 115 120 125 130 135 140 145 150 155 160 165 170



The screws length is measured from the head to the point (35mm screw shown).

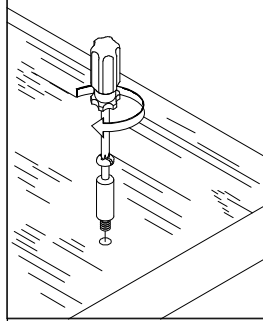
# Using Camlocks

## Step 1

Connect the male camlock as directed in the assembly instructions using a screwdriver.

1

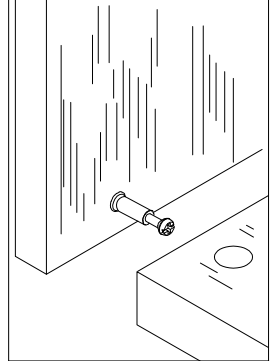
DO NOT OVER TIGHTEN.  
NE PAS SERRER EXCESSIVEMENT.



## Step 2

Push the male camlock into the entry hole.

2

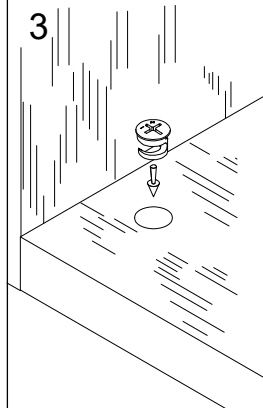


## Step 3

Insert the female camlock as shown in the instruction.

Note: ensure that the arrow on the top of the camlock points towards the entry hole for the male camlock.

3



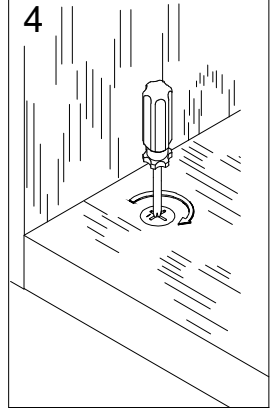
## Step 4

Turn the female camlock clockwise with a screwdriver.

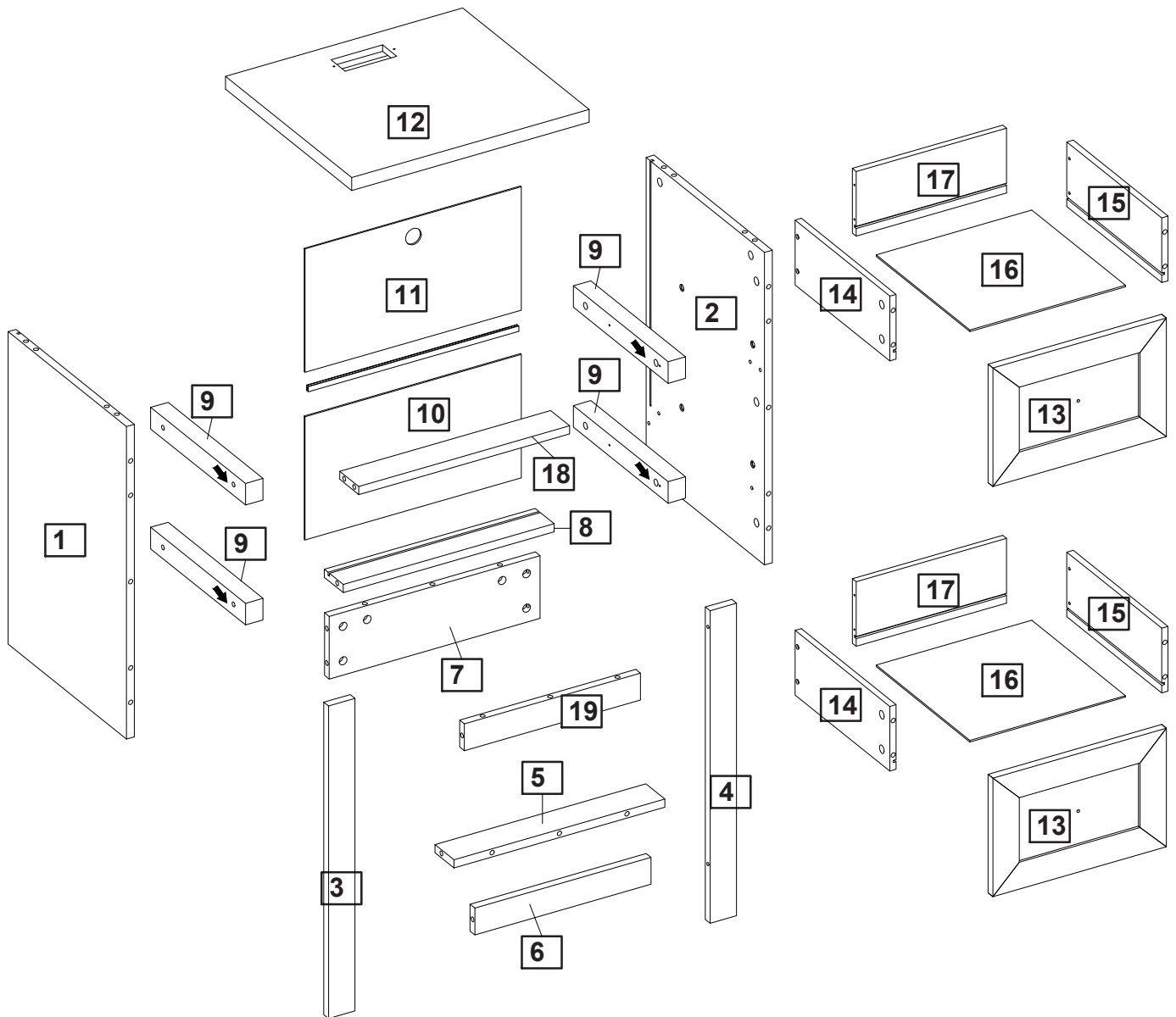
You should feel a click when the camlock is locked in place.

The joint is now secure.

4

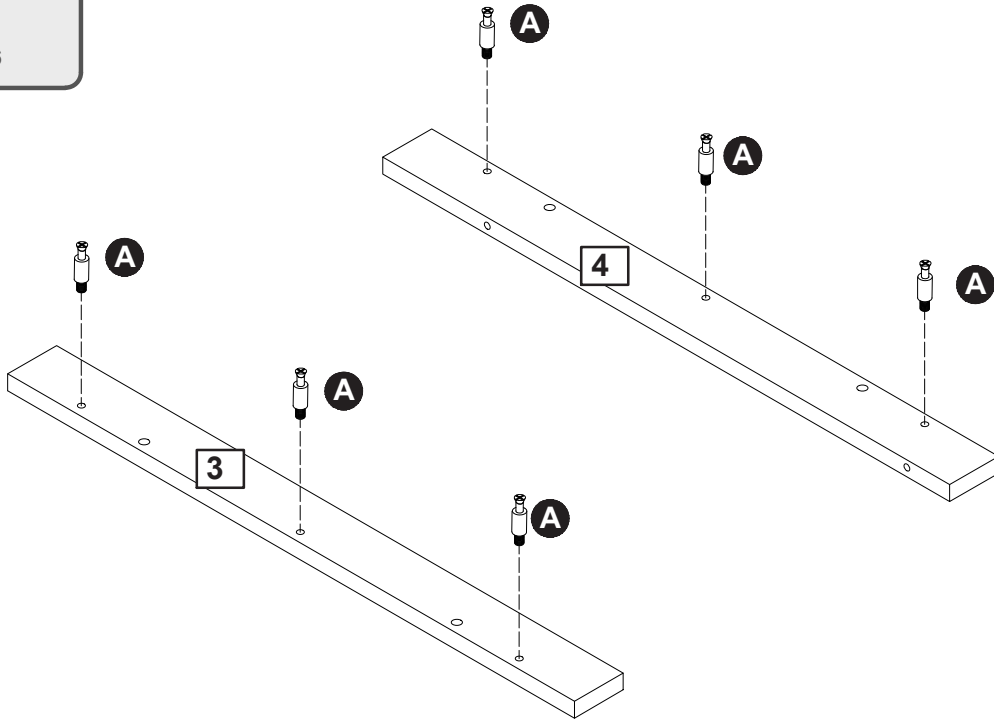
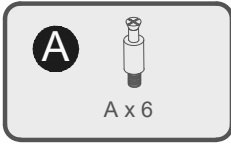


# Assembly Instructions

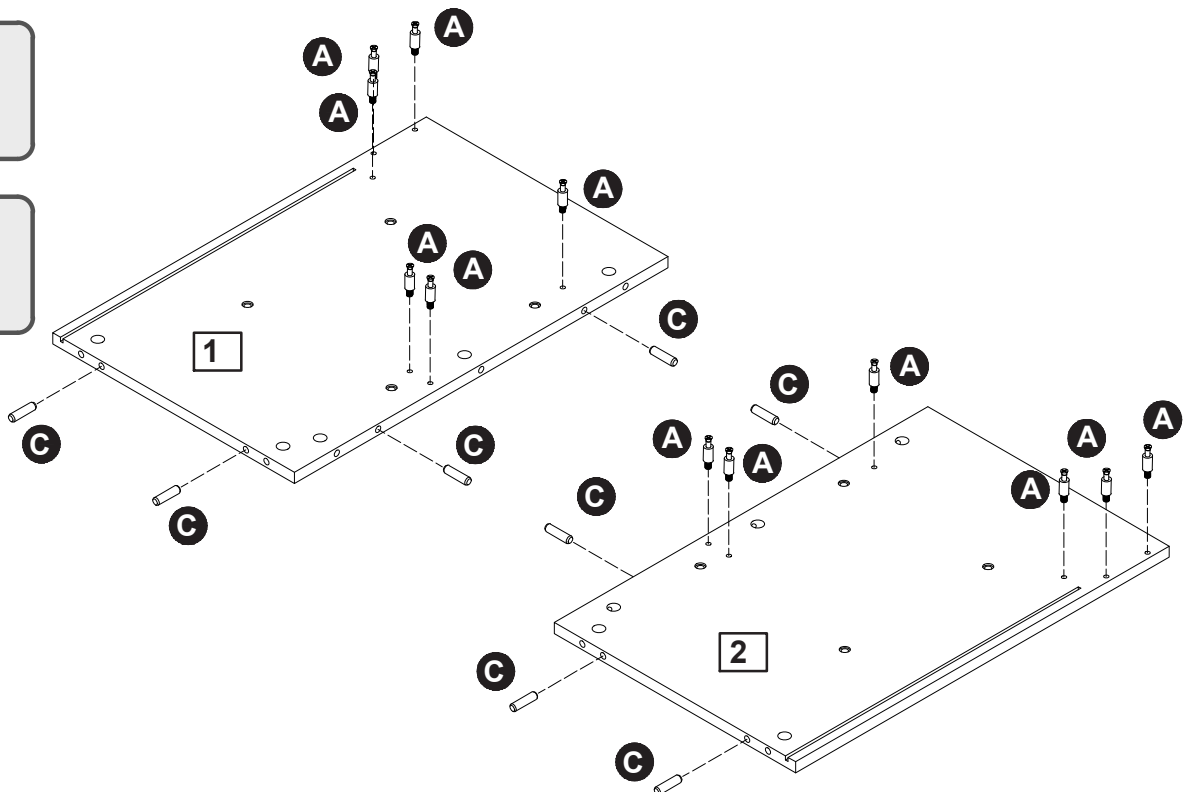
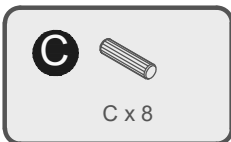
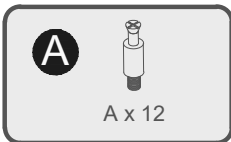


# Assembly Instructions

## Step 1



## Step 2



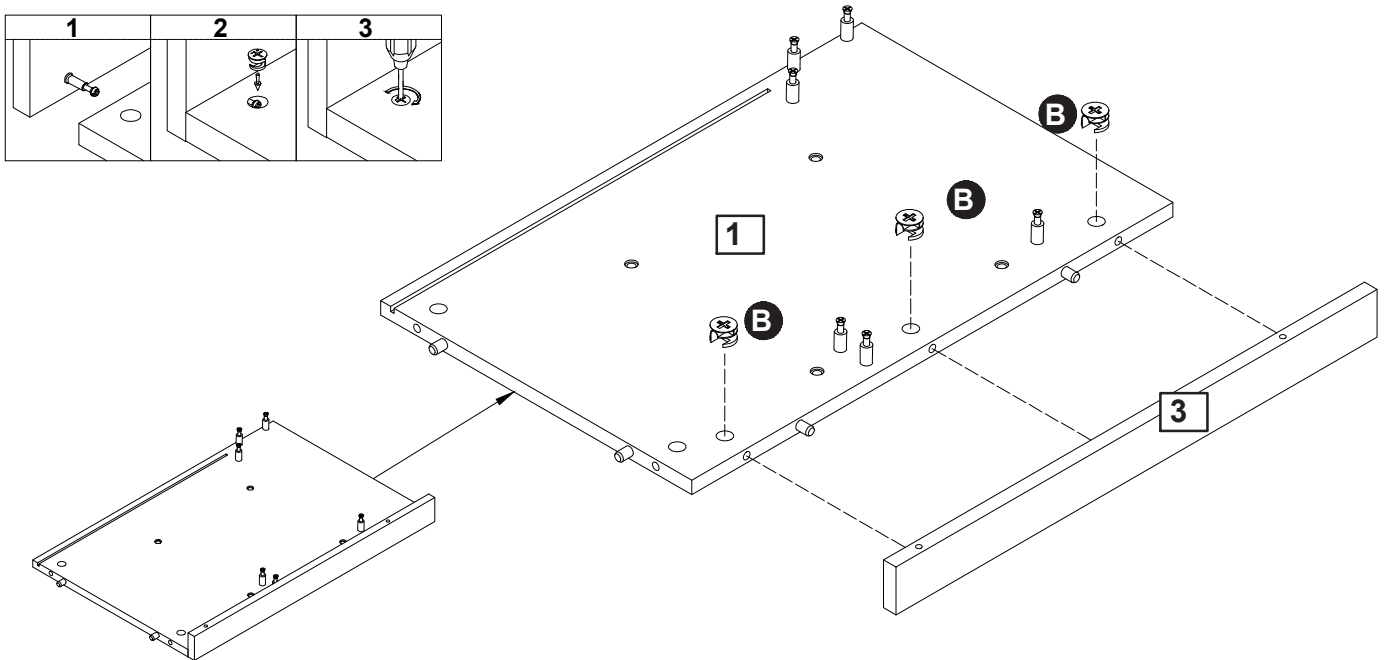
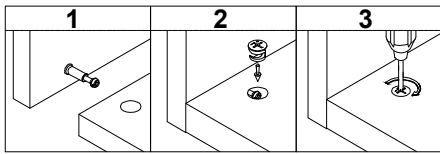
# Assembly Instructions

## Step 3

**B**



B x 3

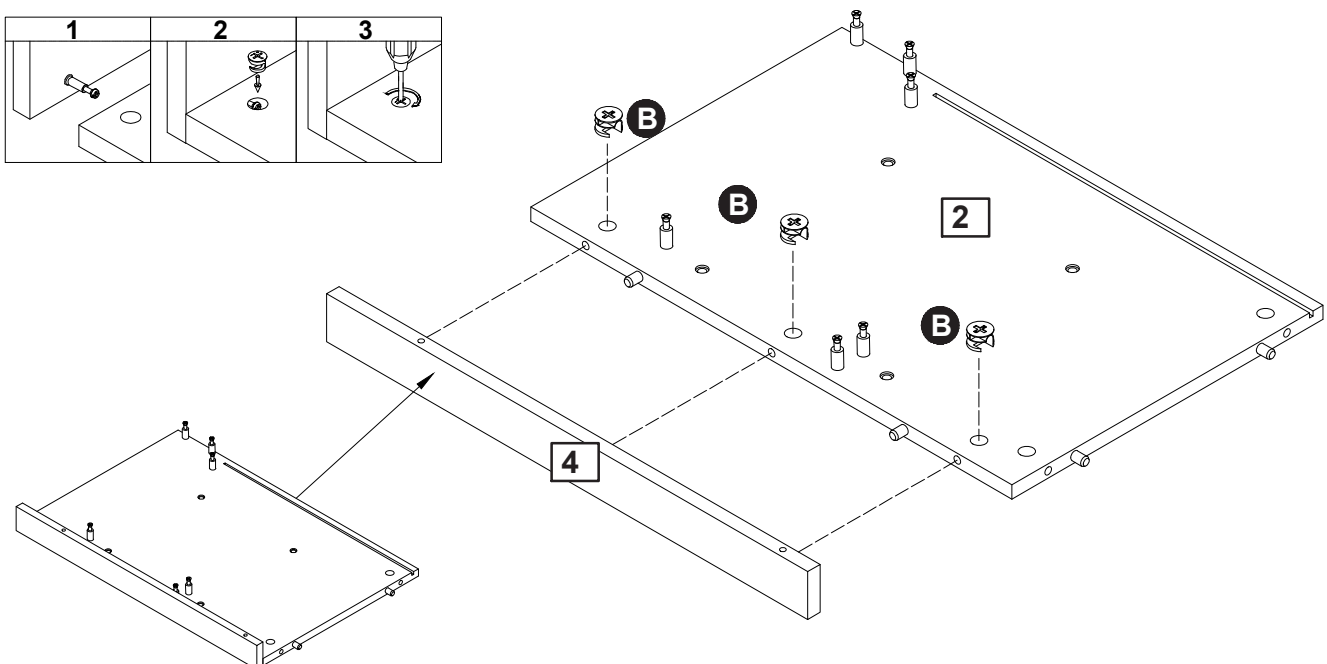
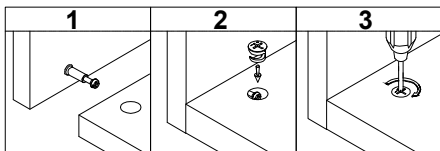


## Step 4

**B**



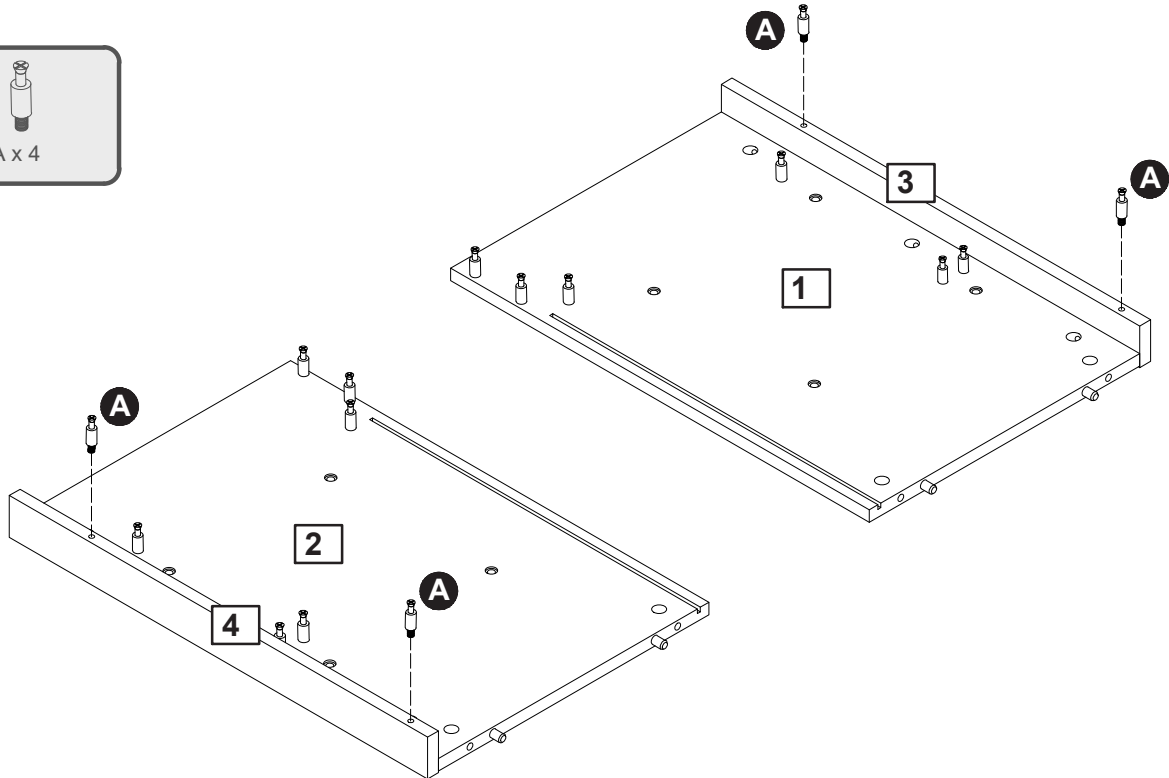
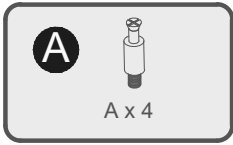
B x 3



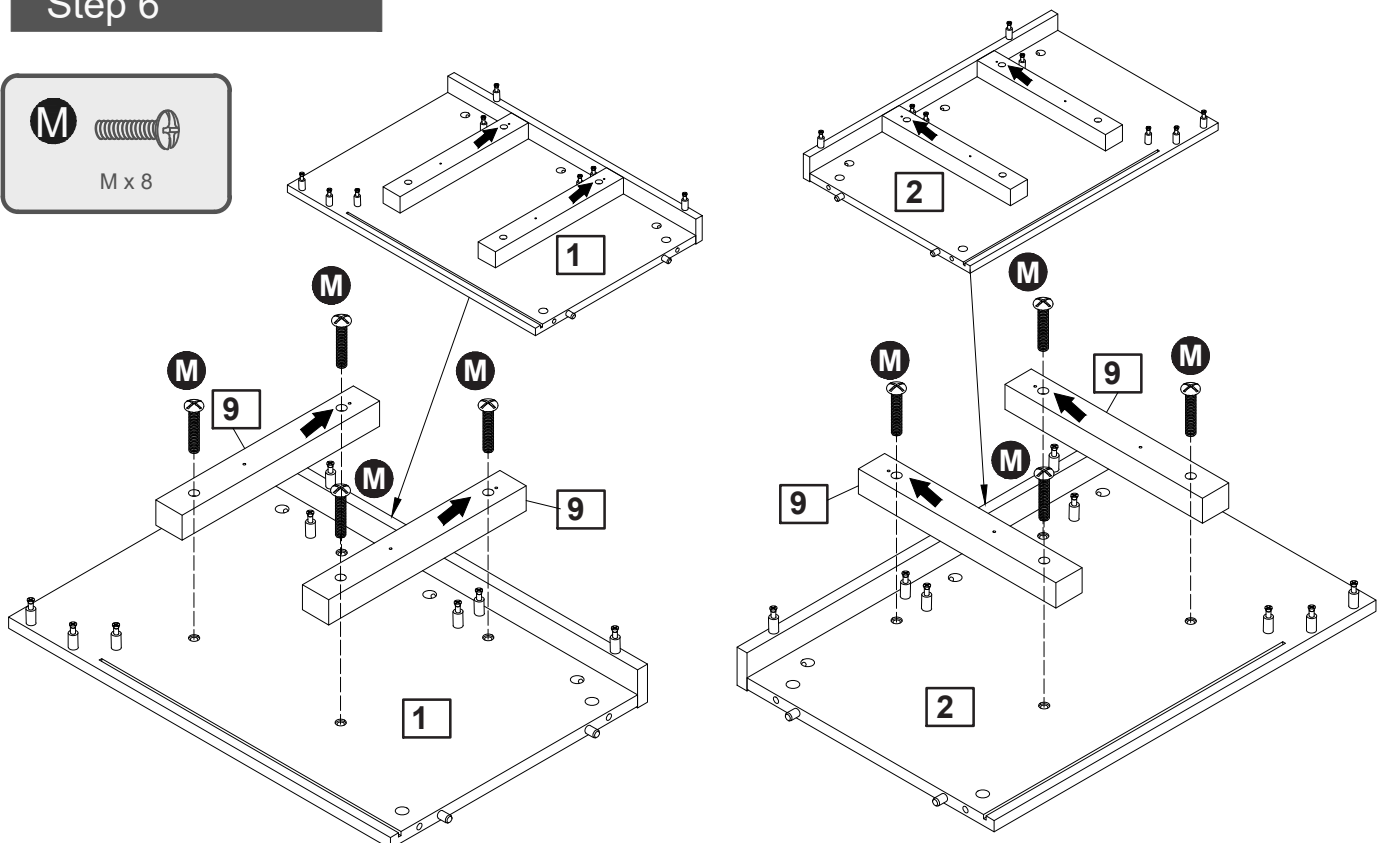


# Assembly Instructions

## Step 5

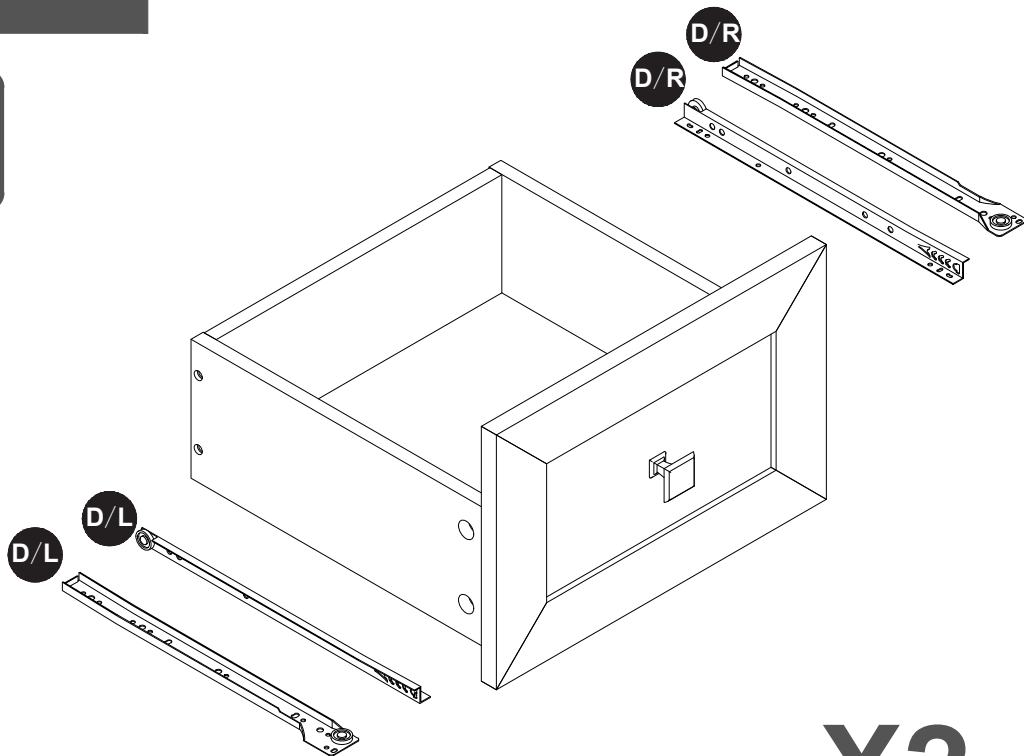
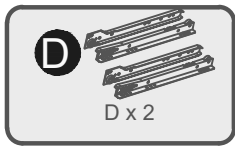


## Step 6



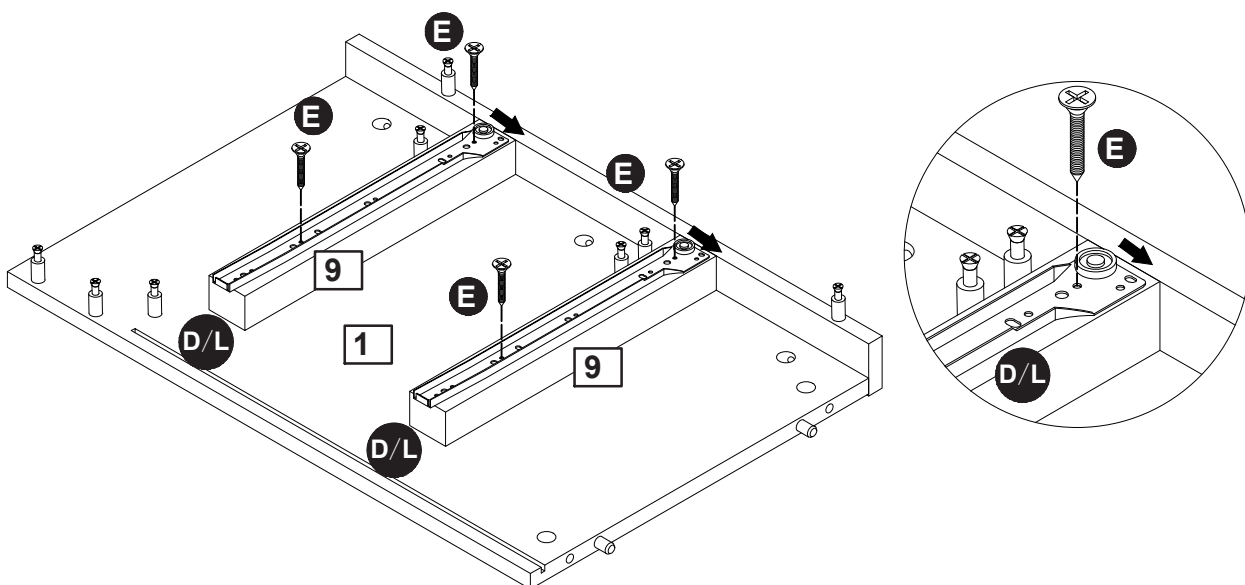
# Assembly Instructions

## Step 7



reminder: sort out left and right sliding rails before installing is recommended

## Step 8

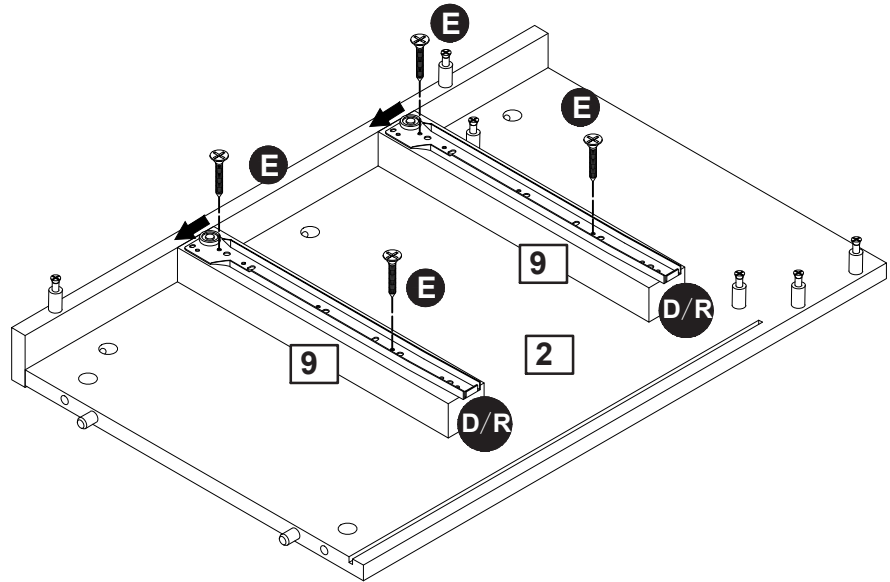
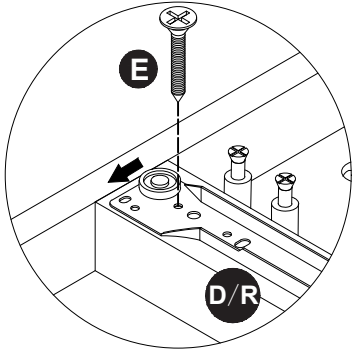


# Assembly Instructions

## Step 9

**E**

E x 4



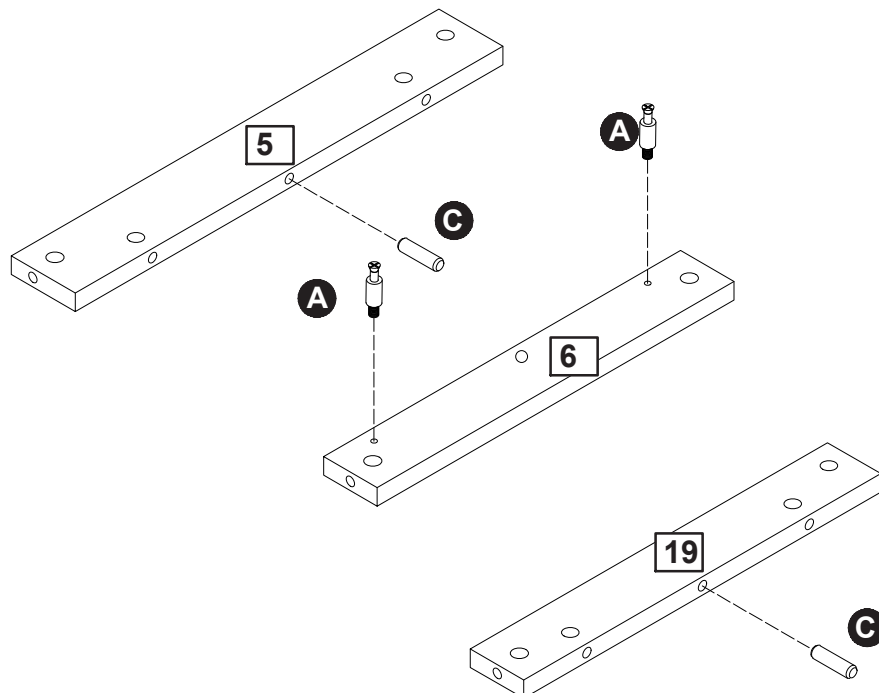
## Step 10

**A**

A x 2

**C**

C x 2



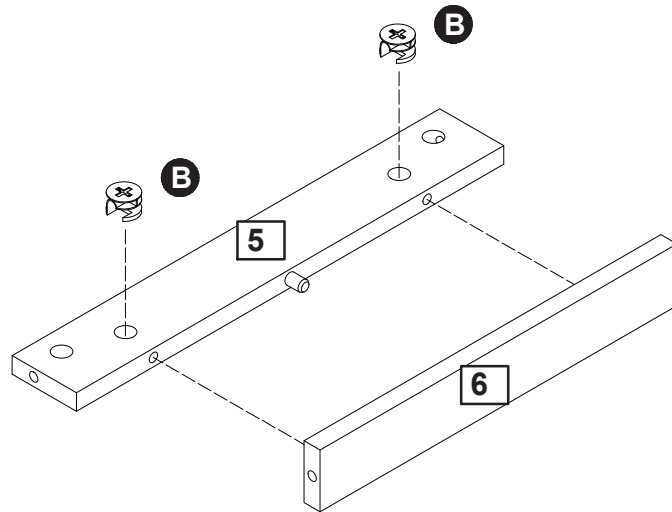
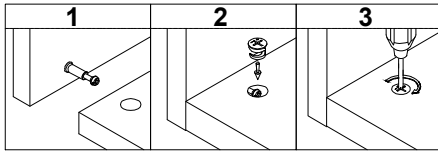
# Assembly Instructions

## Step 11

**B**



B x 2



## Step 12

**A**

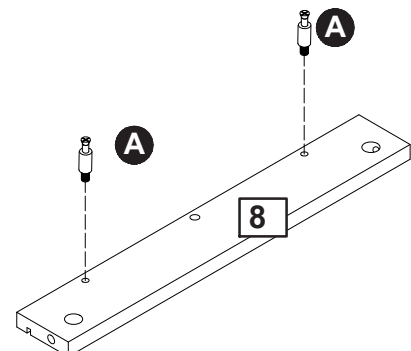
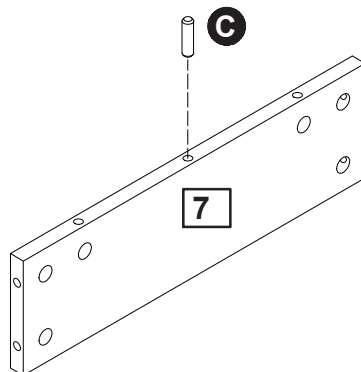


A x 2

**C**

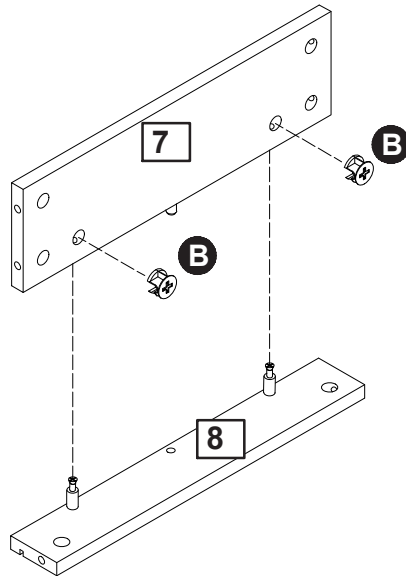
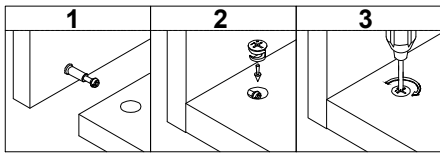


C x 1

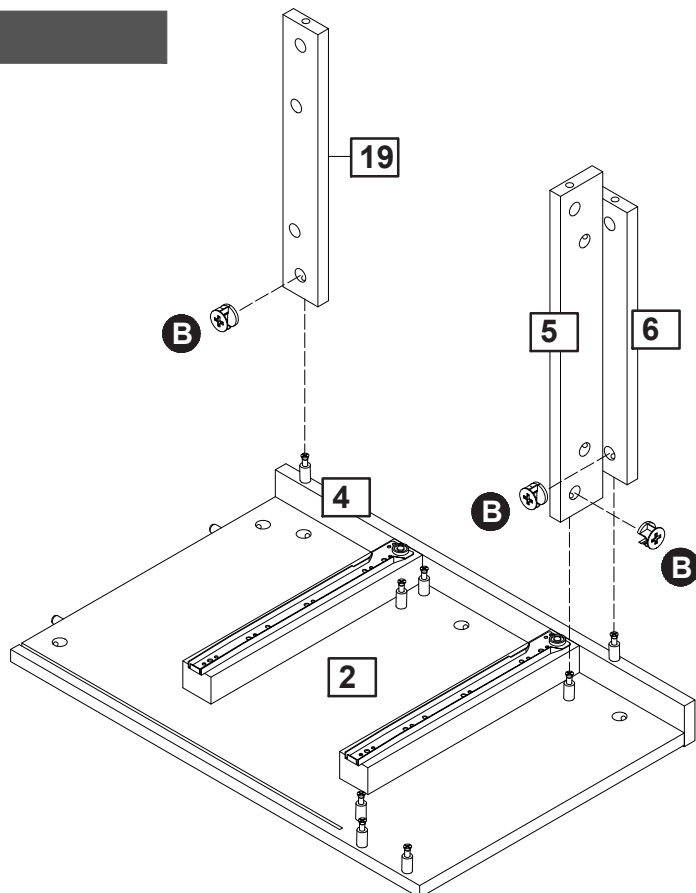
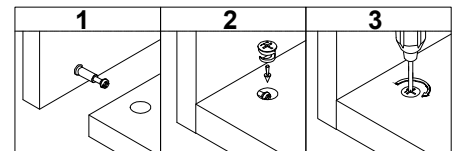


# Assembly Instructions

## Step 13

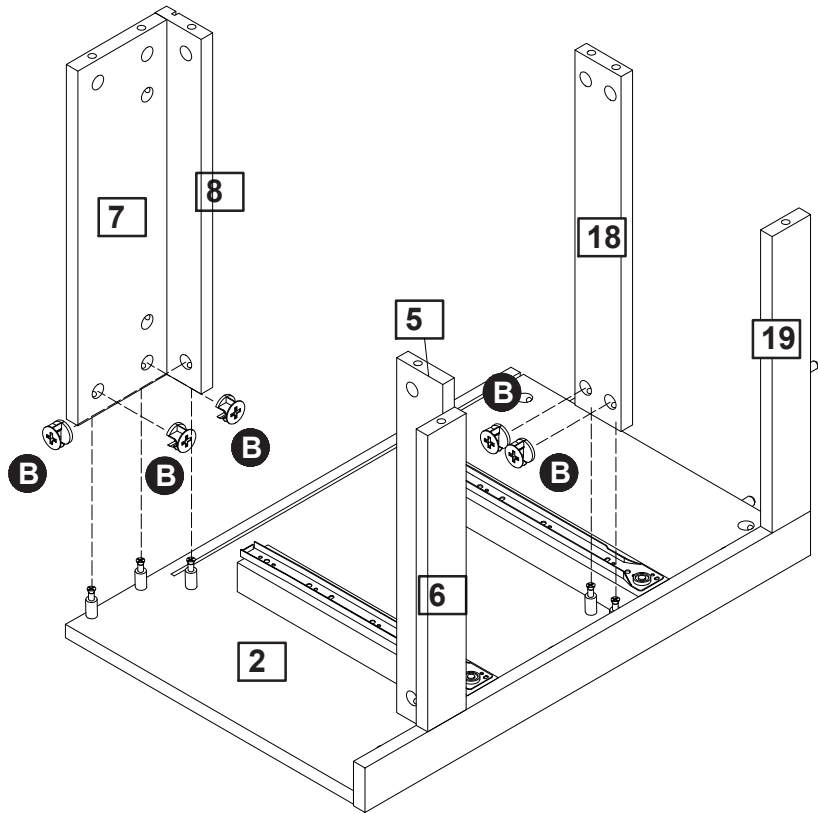
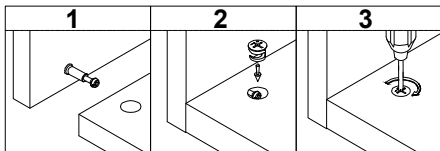


## Step 14

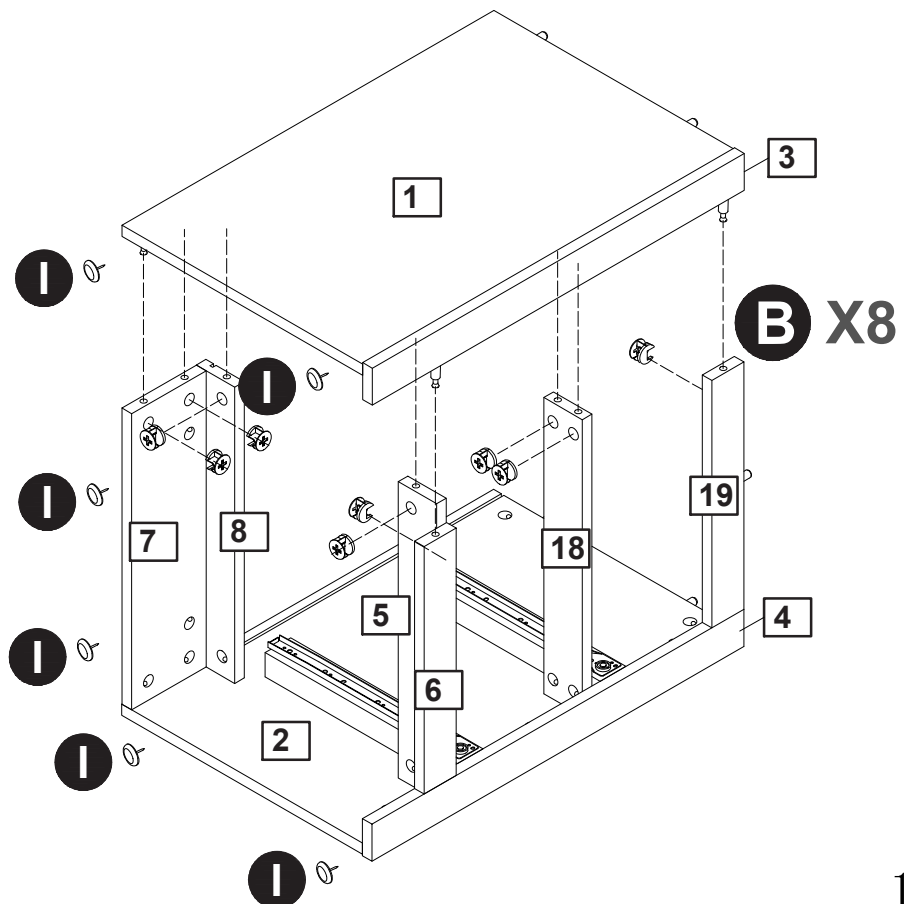
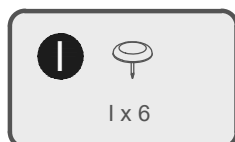
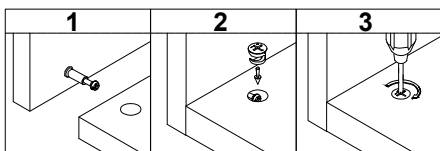


# Assembly Instructions

## Step 15

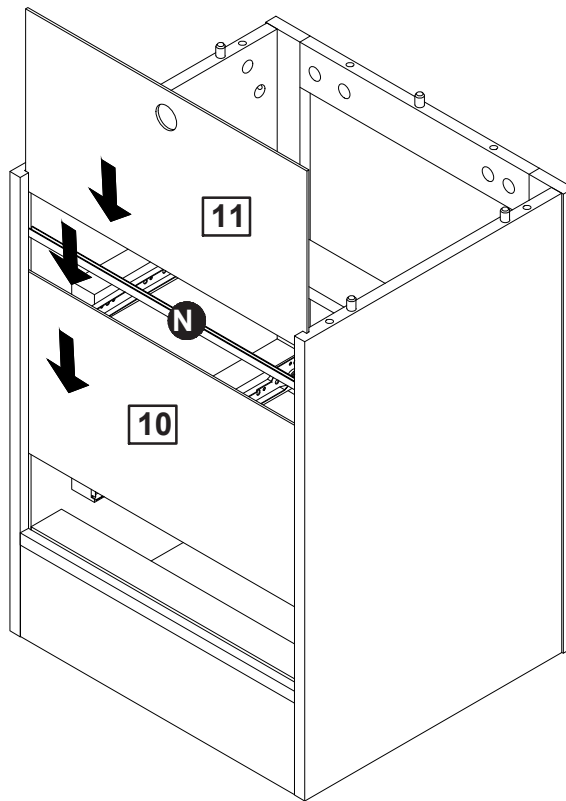
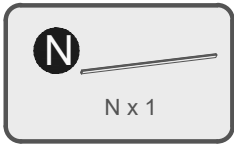


## Step 16

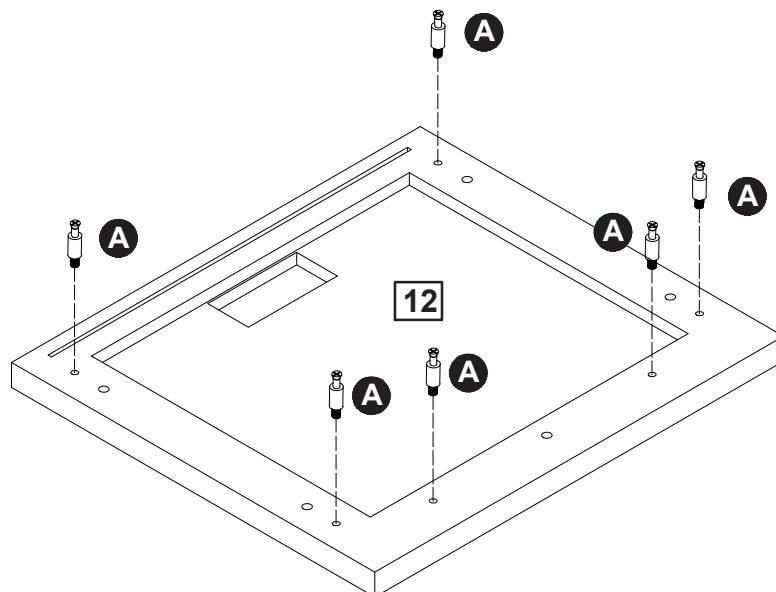
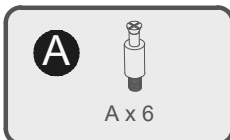


# Assembly Instructions

## Step 17

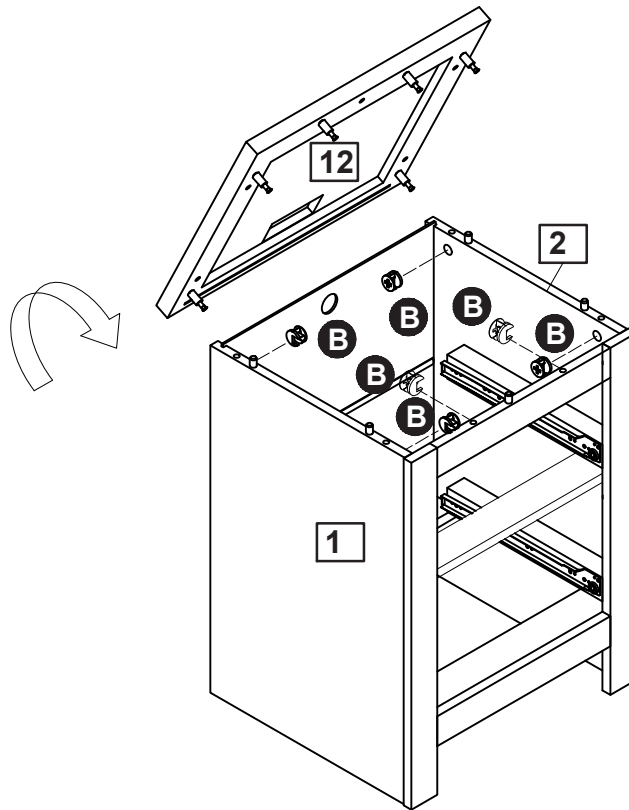
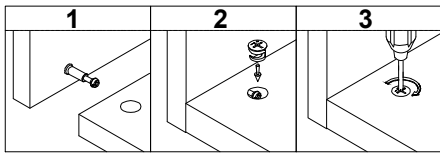


## Step 18

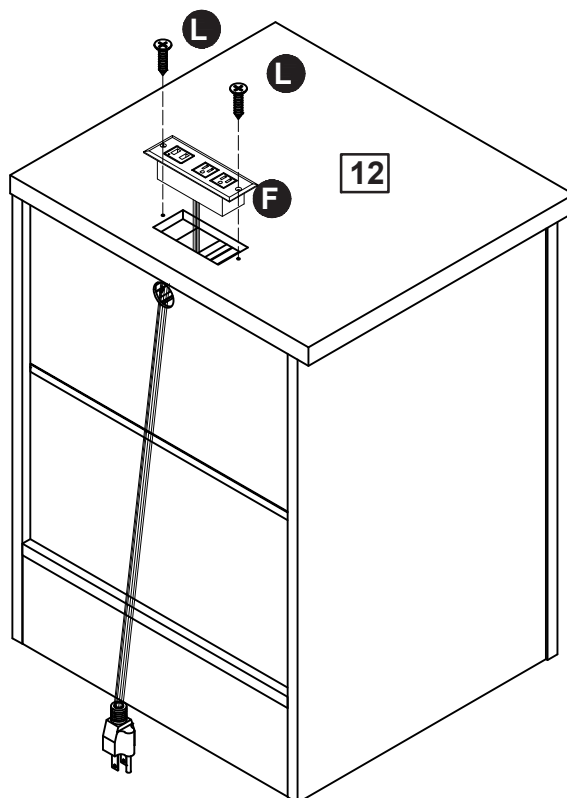
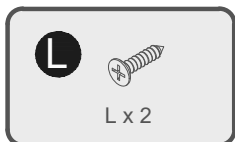


# Assembly Instructions

## Step 19



## Step 20





# Assembly Instructions

## Step 21

J

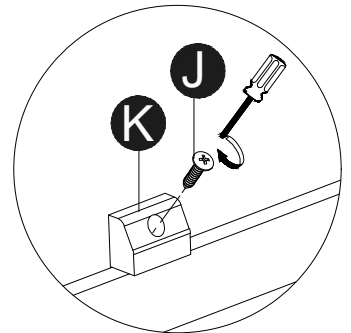
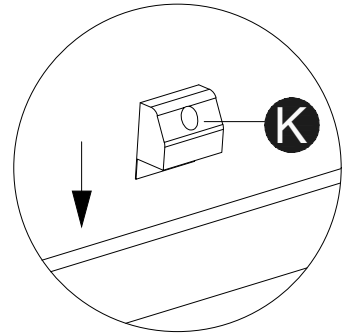
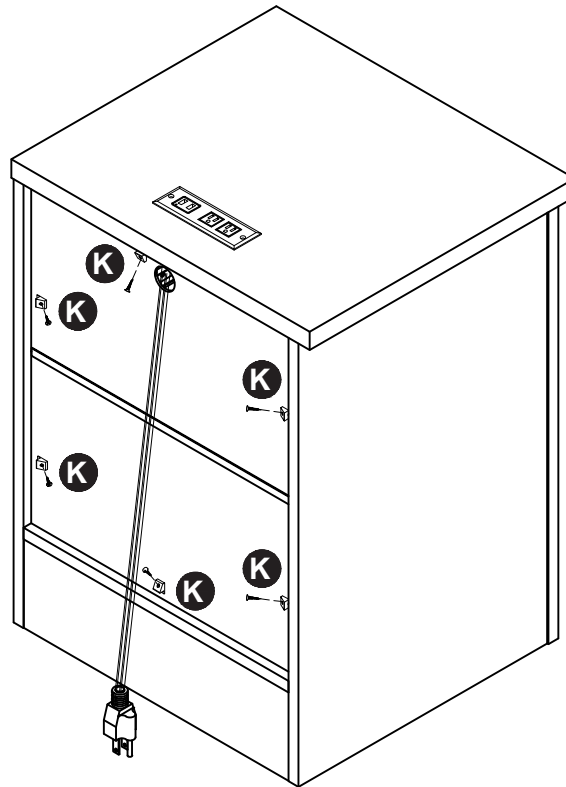


J x 6

K



K x 6

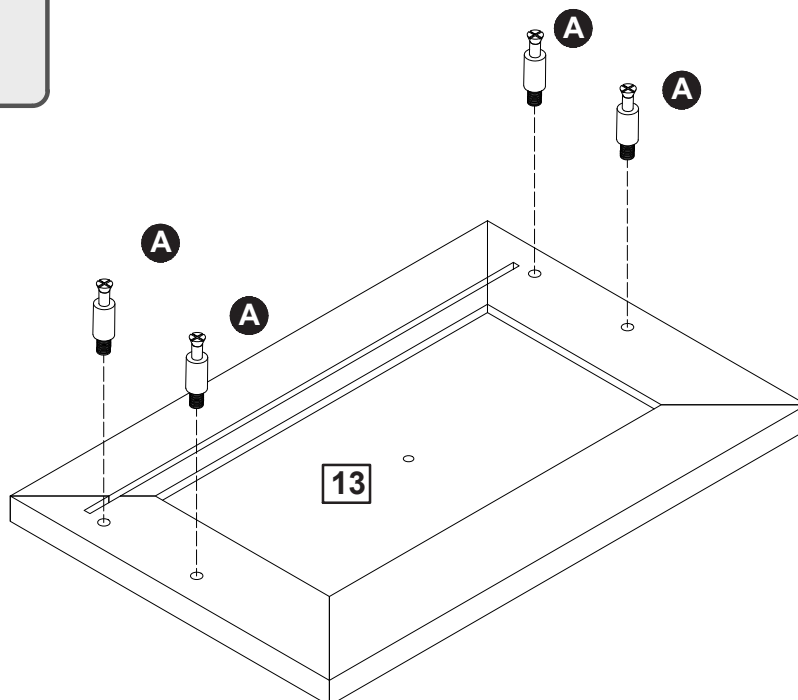


## Step 22

A



A x 8



**X2**

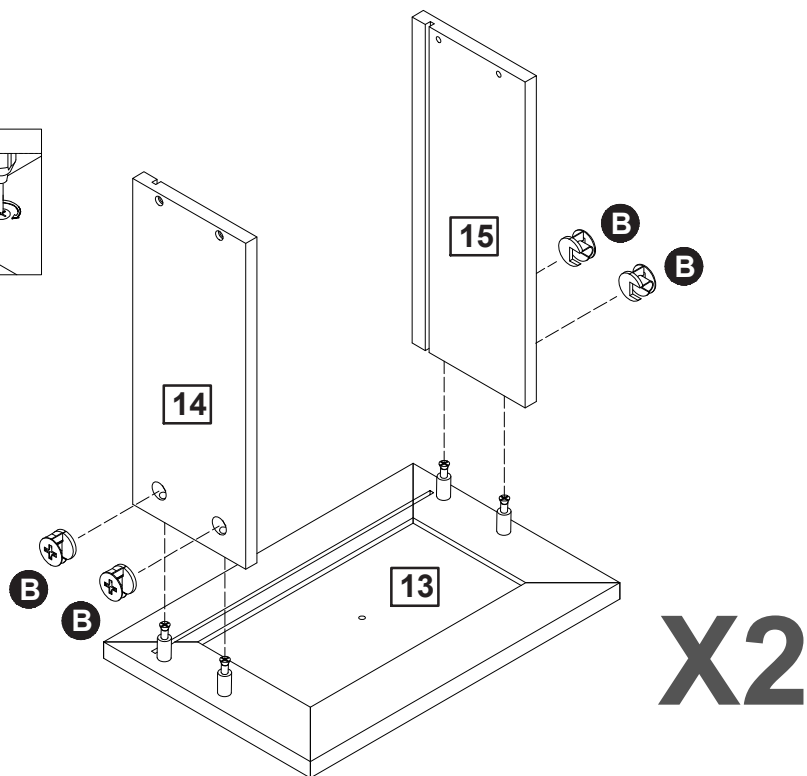
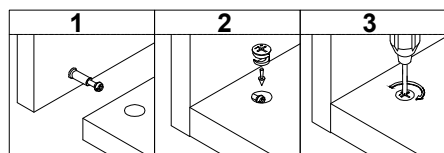
# Assembly Instructions

## Step 23

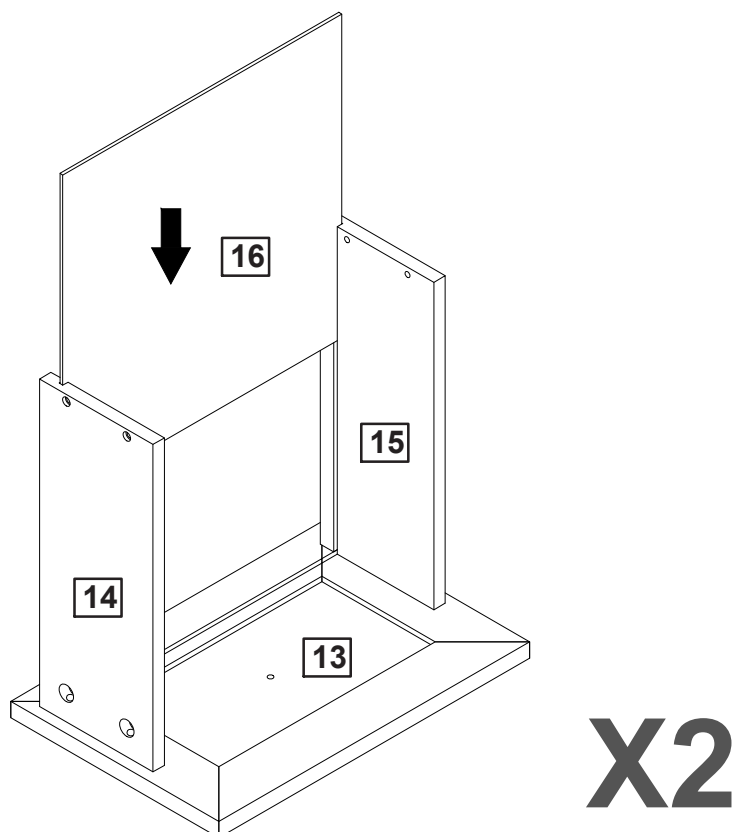
**B**



B x 8

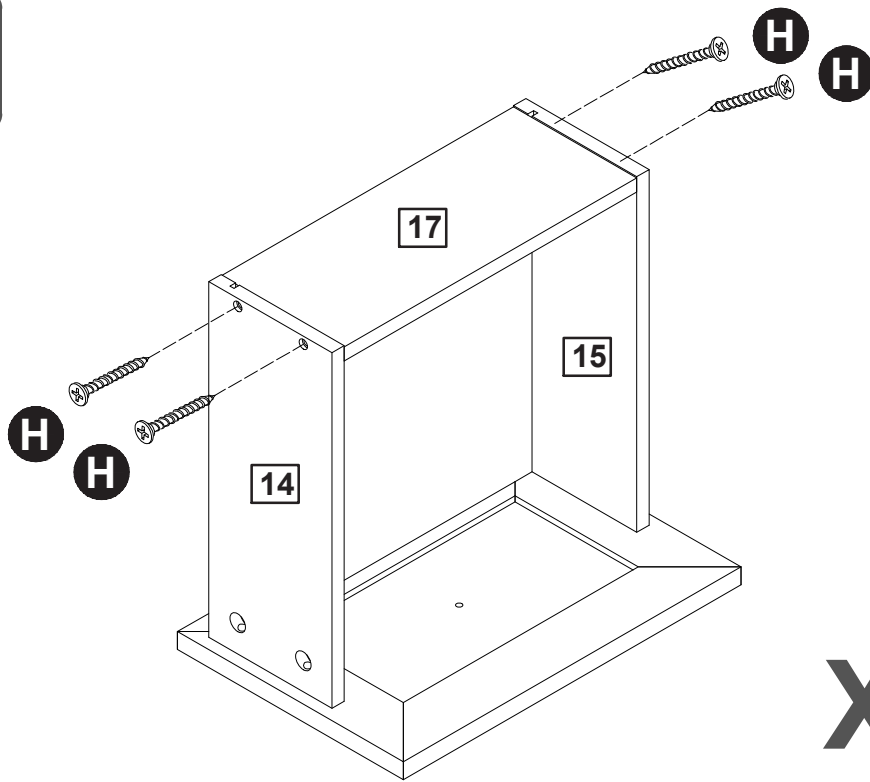
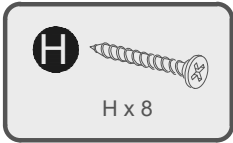


## Step 24

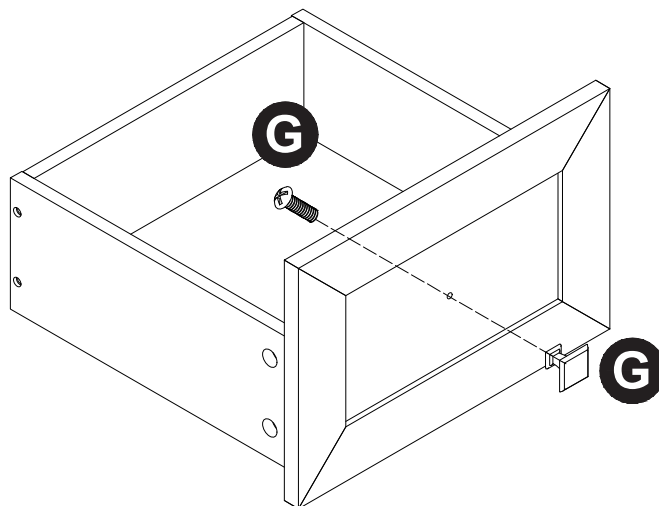
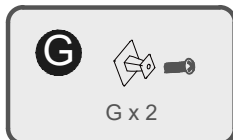


# Assembly Instructions

## Step 25

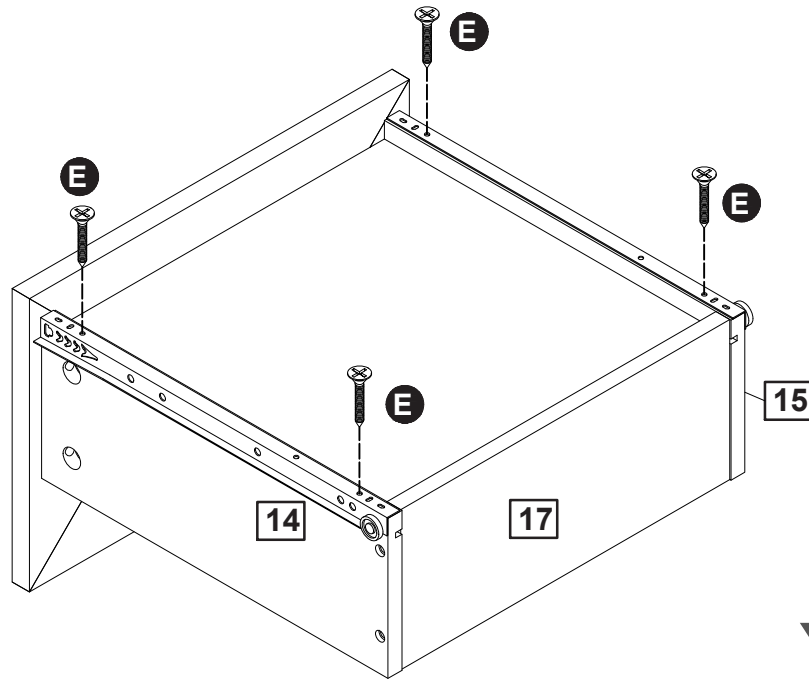
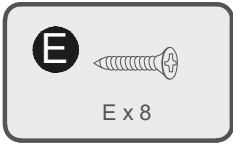


## Step 26



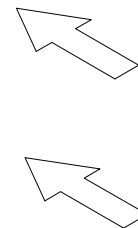
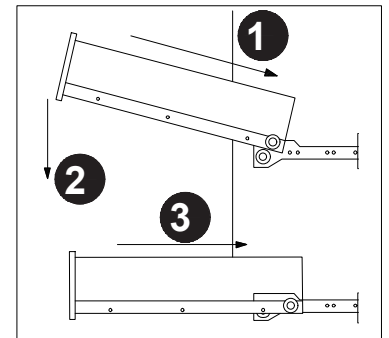
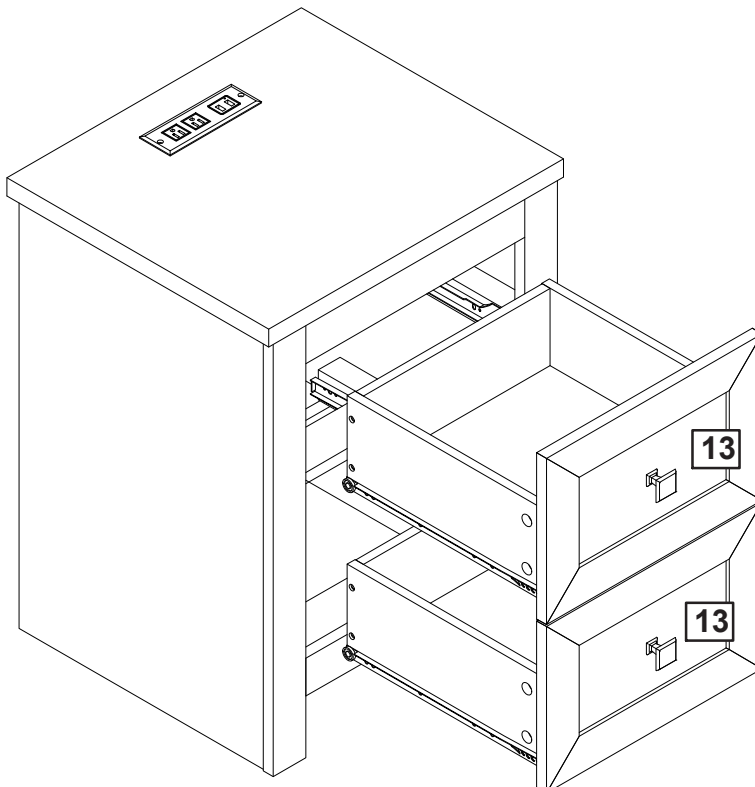
# Assembly Instructions

## Step 27



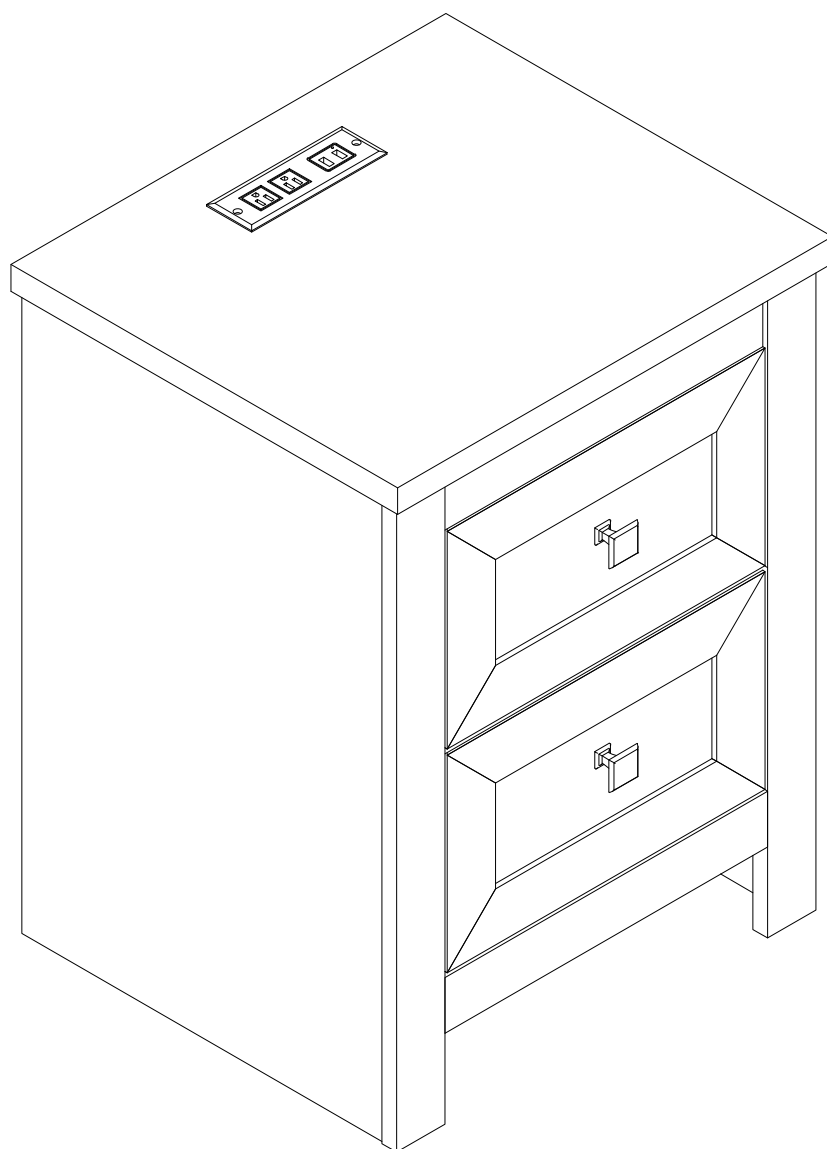
**X2**

## Step 28



# Assembly Instructions

## Step 29



Assembly is complete.