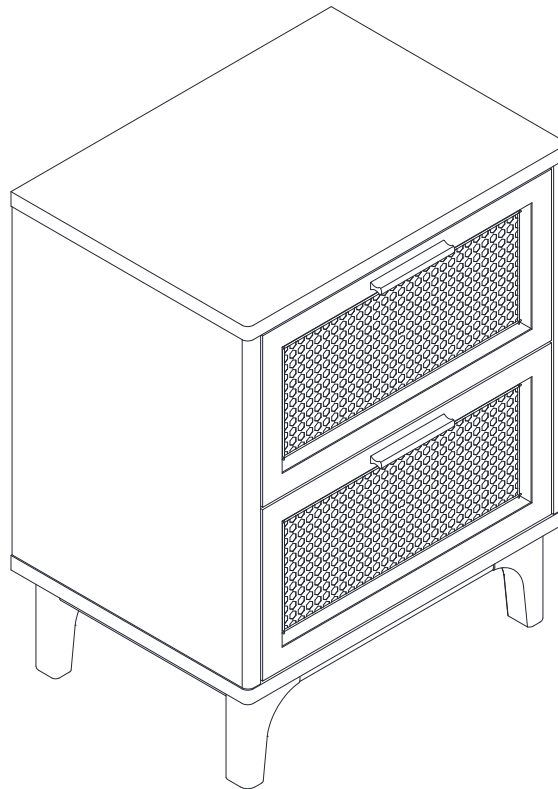


# Rattan Nightstand/End Table

Assembly Instructions - Please keep for future reference

**1006030024A**



## Dimensions

Width - 18.1inch  
Depth - 13.4inch  
Height - 23.4inch

**Important – Please read these instructions fully before starting assembly**

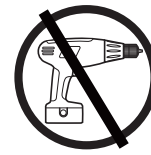


# Safety and Care Advice

**Important** – Please read these instructions fully before starting assembly

- Check you have all the components and tools listed on the following pages.
- Remove all fittings from the plastic bags and separate them into their groups.
- Keep children and animals away from the work area, small parts could choke if swallowed.
- Make sure you have enough space to layout the parts before starting.

- During assembly do not stand or put weight on the product, this could cause damage.
- Assemble the item as close to its final position (in the same room) as possible.
- Assemble on a soft level surface to avoid damaging the unit or your floor.
- Parts of the assembly will be easier with 2 people.



power drill is set on a low torque setting.

- To reduce the likelihood of damaging your product please ensure that your

## Care and maintenance

- Only clean using a damp cloth and mild detergent, do not use bleach or abrasive cleaners.
- From time to time check that there are no loose screws on this unit.
- This product should not be discarded with household waste. Take to your local authority waste disposal centre.

## Handy Hints

- Assemble all parts and bolts loosely during assembly, only once the product is complete should you fully tighten the bolts
- Regularly check and ensure that all bolts and fittings are tightend properly.

## WARNING

**In order to help prevent overturning – please follow these instructions**

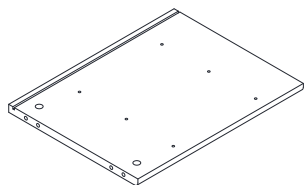
To help prevent product toppling over please follow the below steps:-

- Use the anti tip strap or wall fixing method provided (if applicable)
- Do not allow children to climb or hang on the furniture
- Do not open more than one drawer at a time
- Do not place heavy items in the top drawers
- Do not place heavy items on top of the furniture, unless the furniture has been designed for this purpose

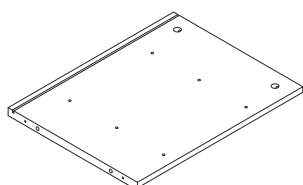
Please note that only the anti tip strap is provided.  
You will need to provide wall plugs and screws applicable for your wall type

# Components - Panels

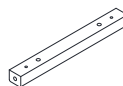
Please check you have all the panels listed below



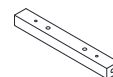
**1** (33.8 x 43.5 x 1.8cm) x 1



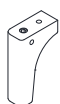
**2** (33.8 x 43.5 x 1.8cm) x 1



**3** (26.1 x 3 x 2.5cm) x 2



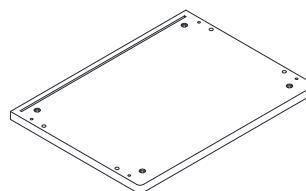
**4** (24.1 x 3 x 2.5cm) x 2



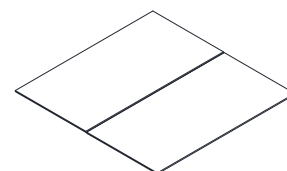
**5** (12 x 7.5 x 3.5cm) x 2



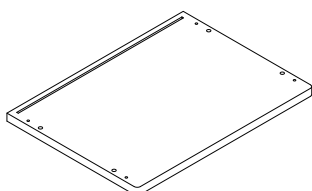
**6** (12 x 7.5 x 3.5cm) x 2



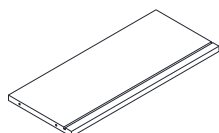
**7** (46 x 34 x 1.8cm) x 1



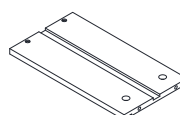
**8** (43.1 x 44.4 x 0.25cm) x 1



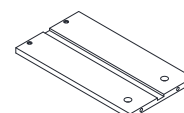
**9** (46 x 34 x 1.8cm) x 1



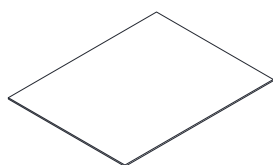
**10** (38.7 x 16.5 x 1.2cm) x 2



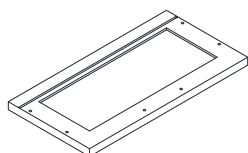
**11** (30 x 16.5 x 1.2cm) x 2



**12** (30 x 16.5 x 1.2cm) x 2



**13** (39.7 x 29.7 x 0.25cm) x 2

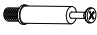

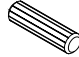




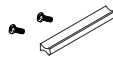




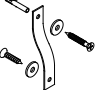


**14** (41.6 x 21.2 x 2cm) x 2

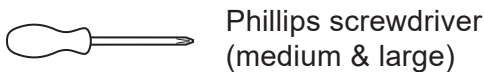
# Components - Fittings

Please check you have all the fittings listed below

**Note:** The quantities below are the correct amount to complete the assembly. In some cases more fittings may be supplied than are required.

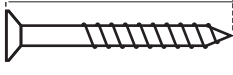
<b>A</b>  7*43mm Cam Bolt x 12	<b>B</b>  Cam Lock x 12	<b>C</b>  8*30mm Wooden Dowel x 28
<b>D</b>  5*40mm Screw x 12	<b>E</b>  7*9mm Screw x 12	<b>F</b>  Drawer slide x 4
<b>G</b>  4*35mm Screw x 8	<b>H</b>  Handle x 2	<b>I</b>  Allen key x 1
<b>J</b>  6*30mm Screw x 4	<b>K</b>  3*16mm Back Panel Stiffener x 12	<b>L</b>  4x10mm Screw x 4
<b>M</b>  Wall Fixing Pack x 1		

## Tools required



## Ruler - Use this ruler to help correctly identify the screws

0 5 10 15 20 25 30 35 40 45 50 55 60 65 70 75 80 85 90 95 100 105 110 115 120 125 130 135 140 145 150 155 160 165 170



The screws length is measured from the head to the point (30mm screw shown).

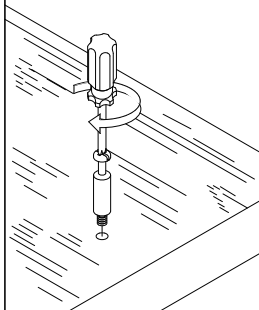
# Using Camlocks

## Step 1

Connect the male camlock as directed in the assembly instructions using a screwdriver.

1

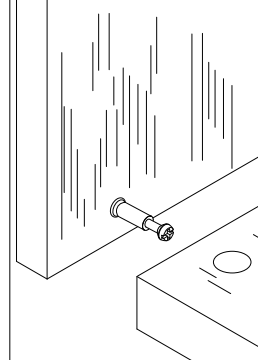
DO NOT OVER TIGHTEN.  
NE PAS SERRER EXCESSIVEMENT.



## Step 2

Push the male camlock into the entry hole.

2

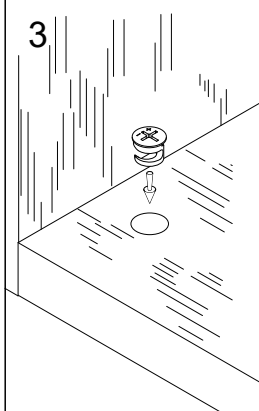


## Step 3

Insert the female camlock as shown in the instructions.

Note: ensure that the arrow on the top of the camlock points towards the entry hole for the male camlock.

3



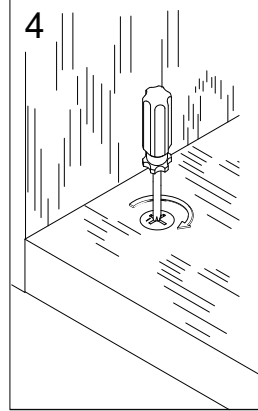
## Step 4

Turn the female camlock clockwise with a screwdriver.

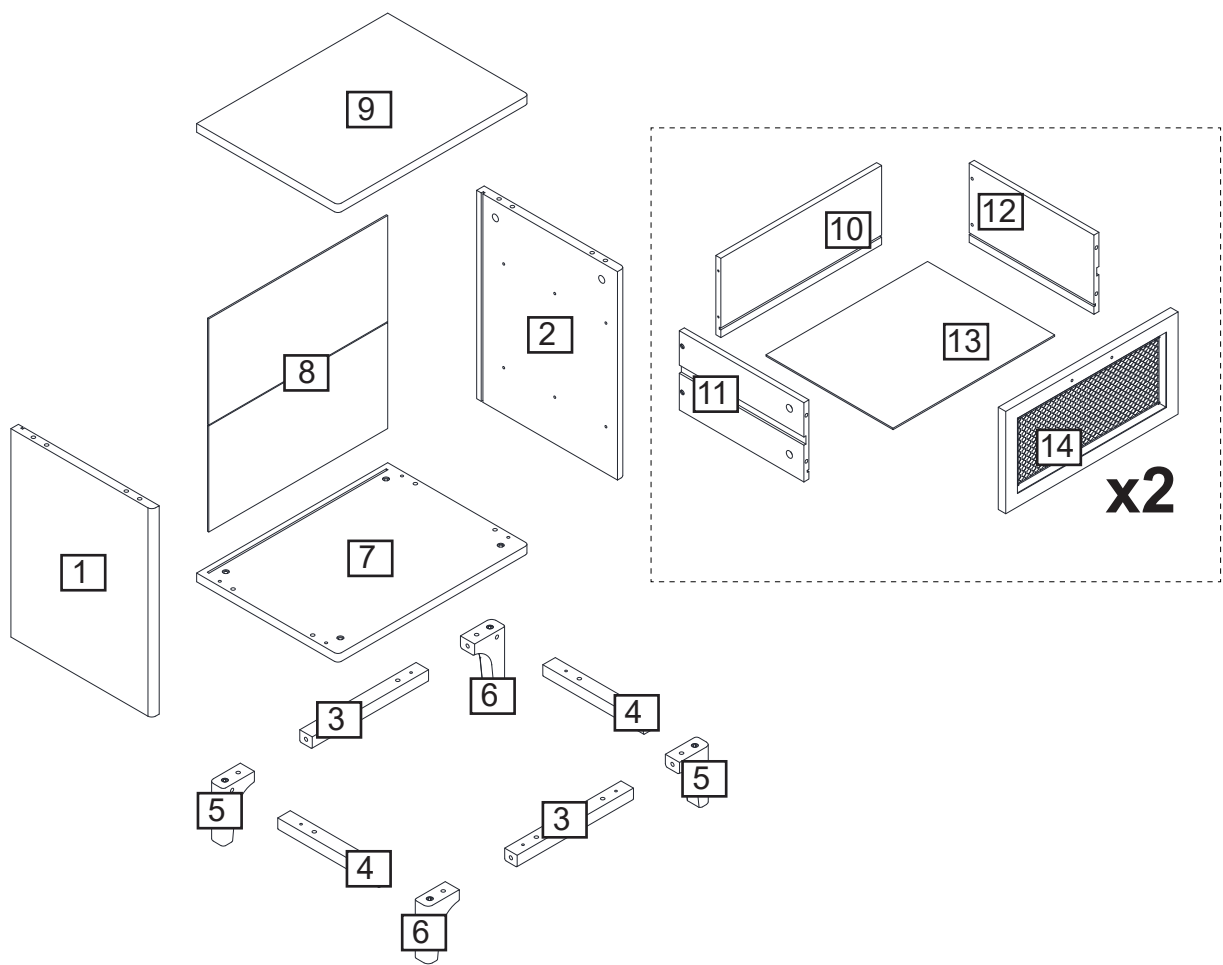
You should feel a click when the camlock is locked in place.

The joint is now secure.

4

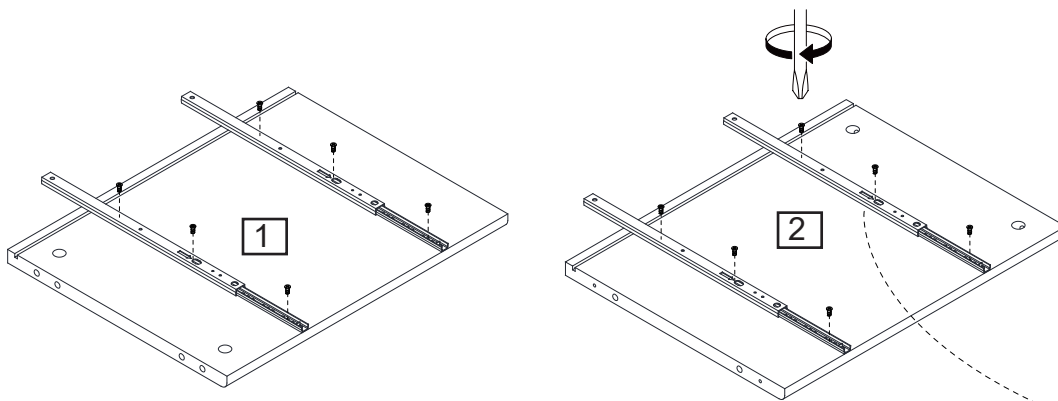


# Assembly Instructions



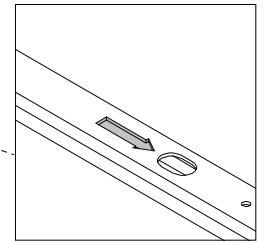
# Assembly Instructions

## Step 1

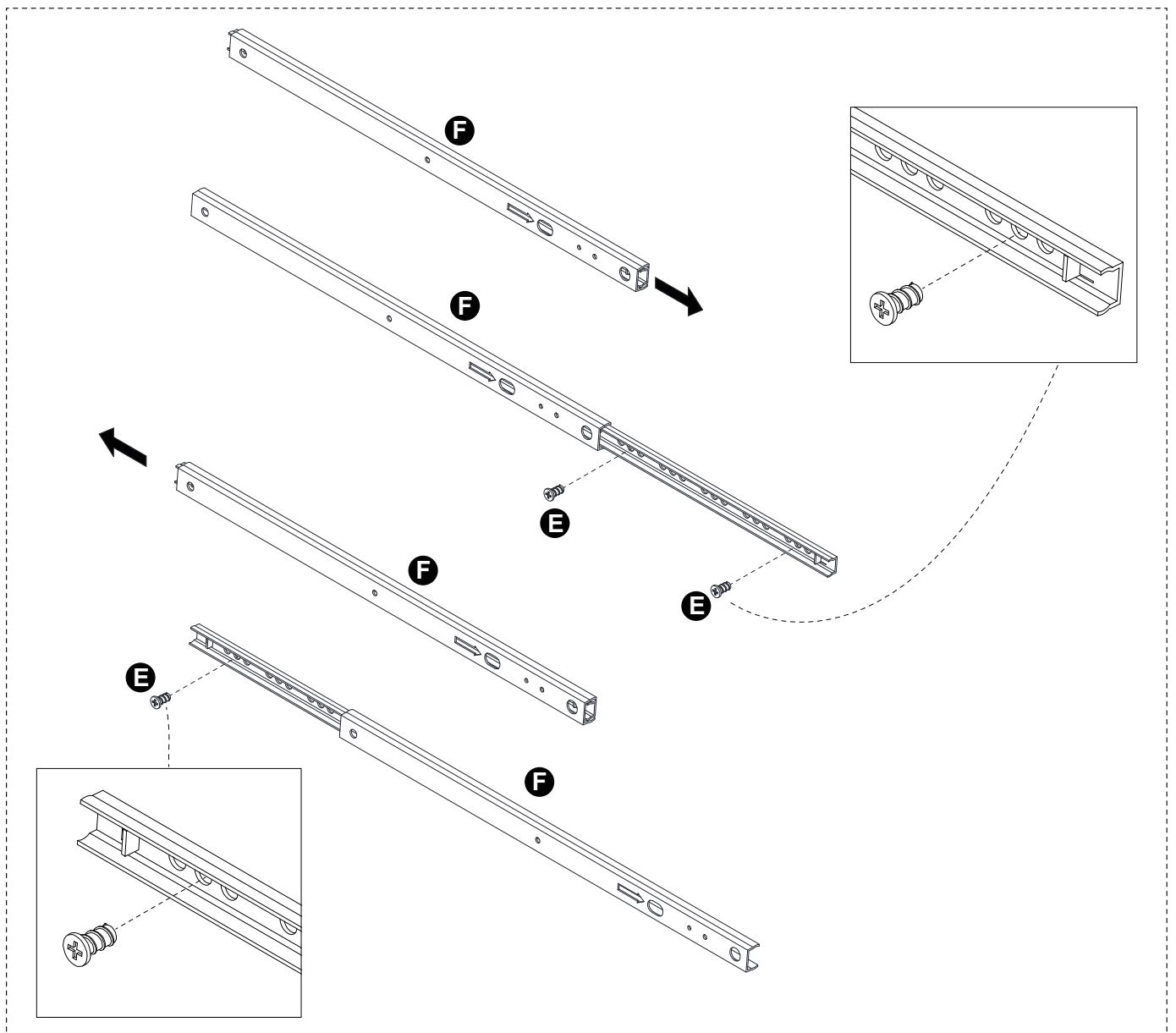


**E**   
E x 12

**F**   
F x 4



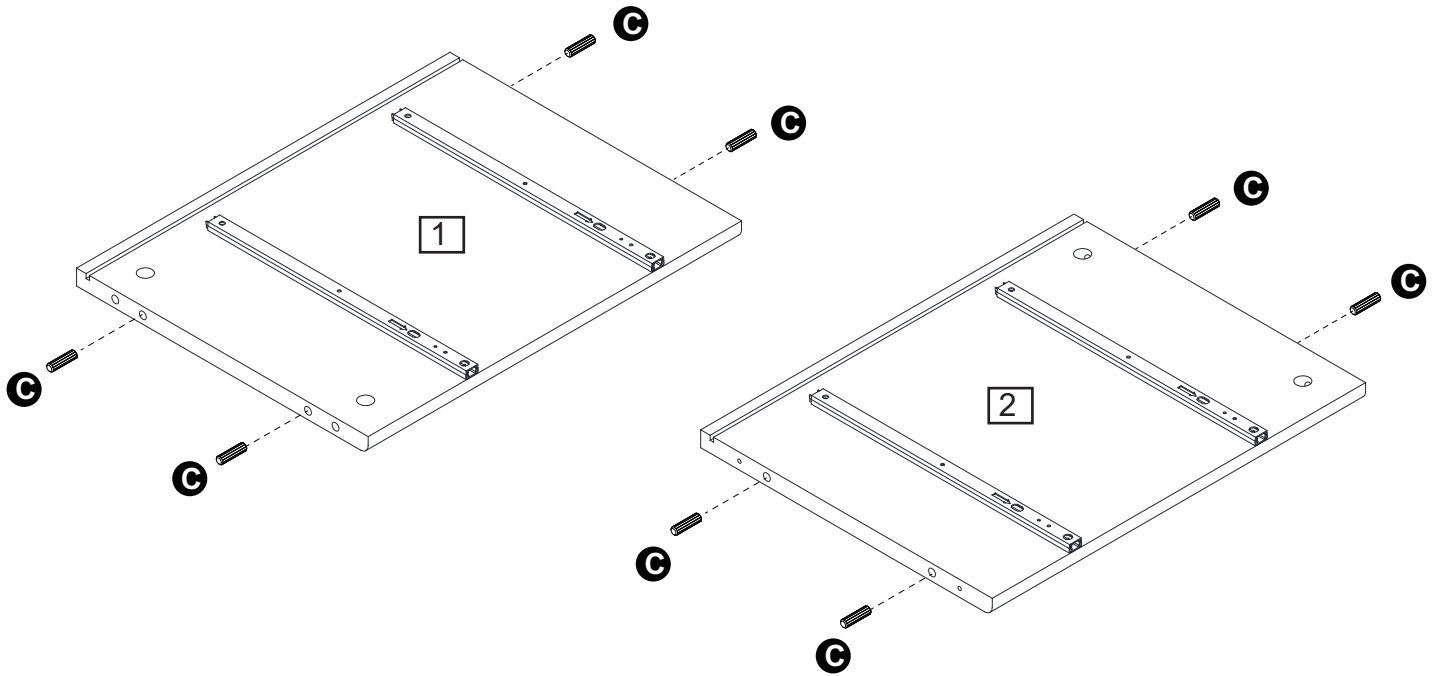
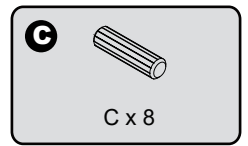
**Note:** Please pay attention to the direction of the arrows on the drawer slides.



Attach drawer slide (F) to part (1, 2) using screw (E) with a screwdriver.

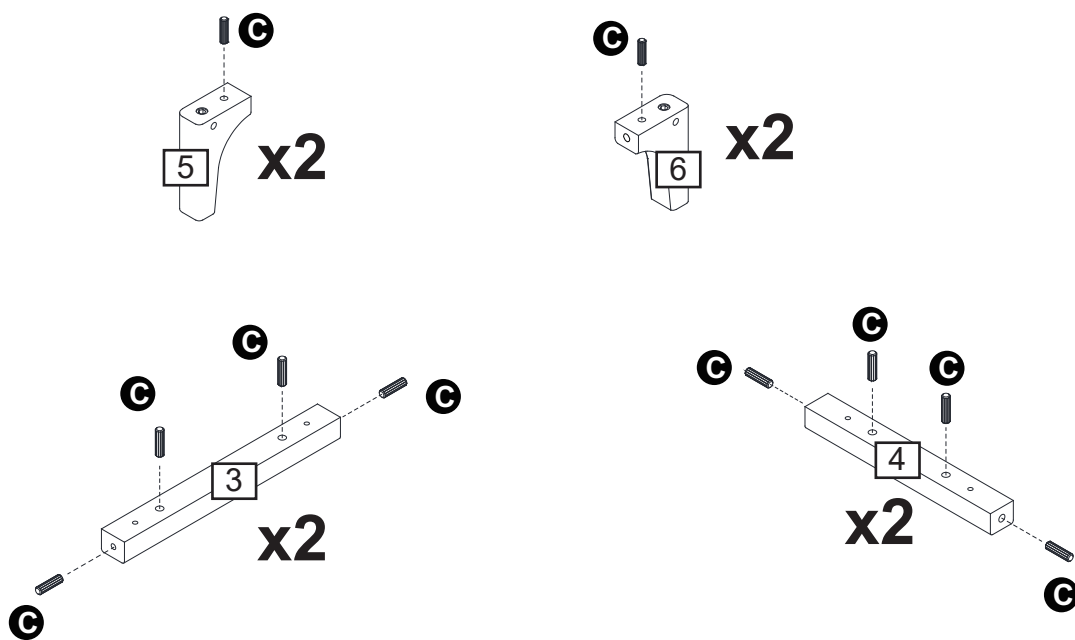
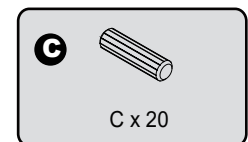
# Assembly Instructions

## Step 2



Insert wooden dowel (C) into part (1, 2).

## Step 3

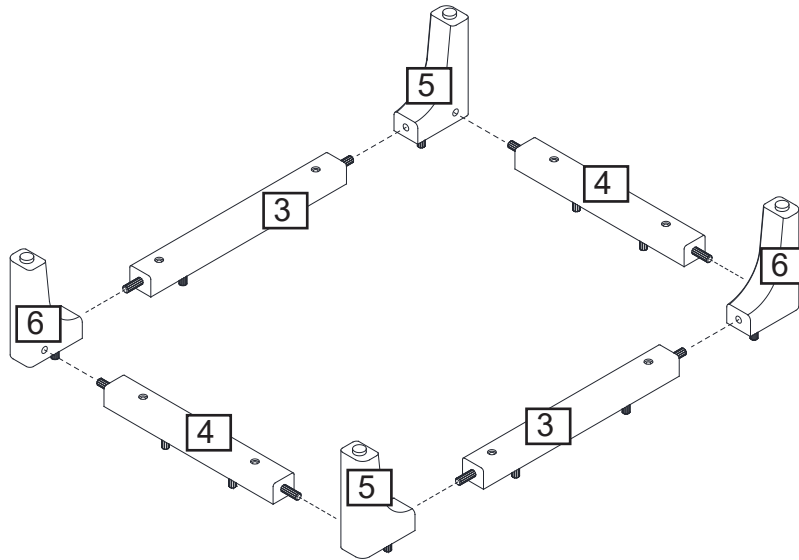


Insert wooden dowel (C) into part (3, 4, 5, 6).



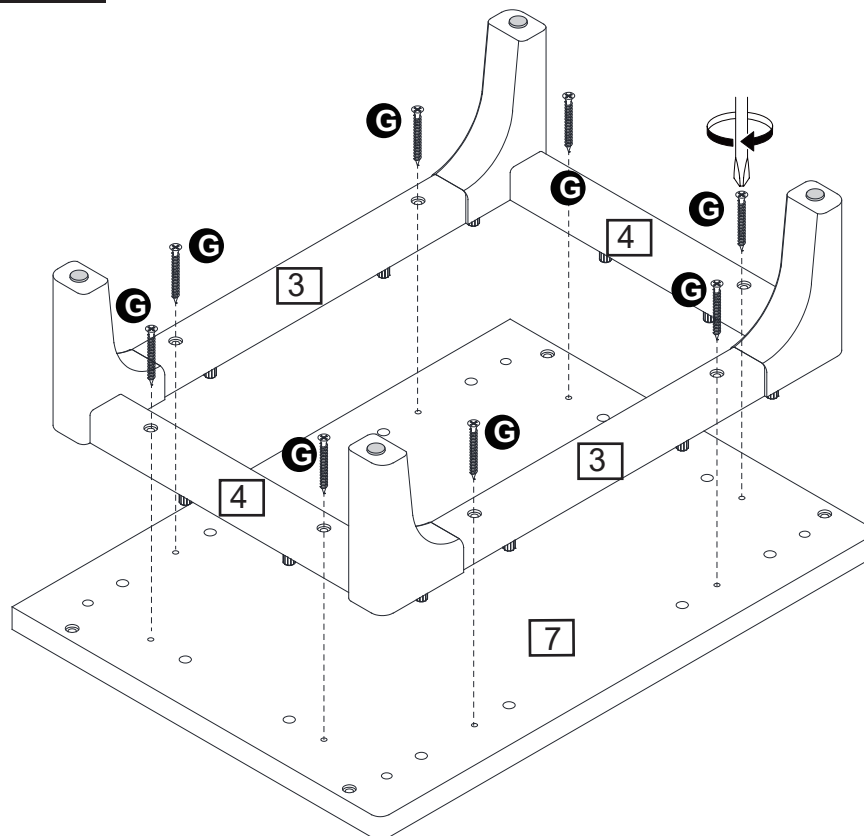
# Assembly Instructions

## Step 4



Attach part (3, 4, 5, 6) together.

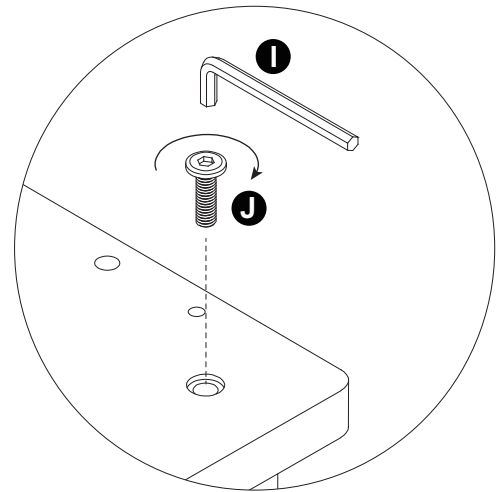
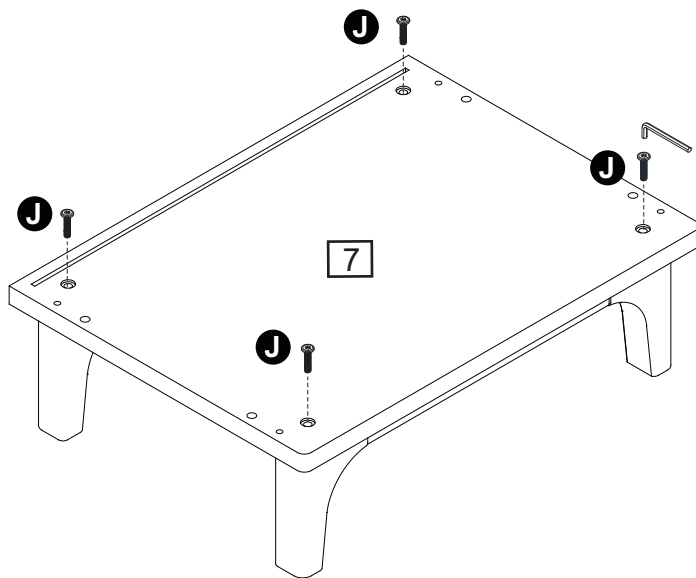
## Step 5



Attach part (3, 4) to part (7) using screw (G) with a screwdriver.

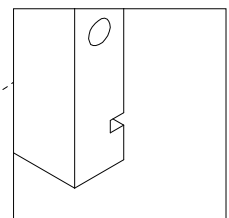
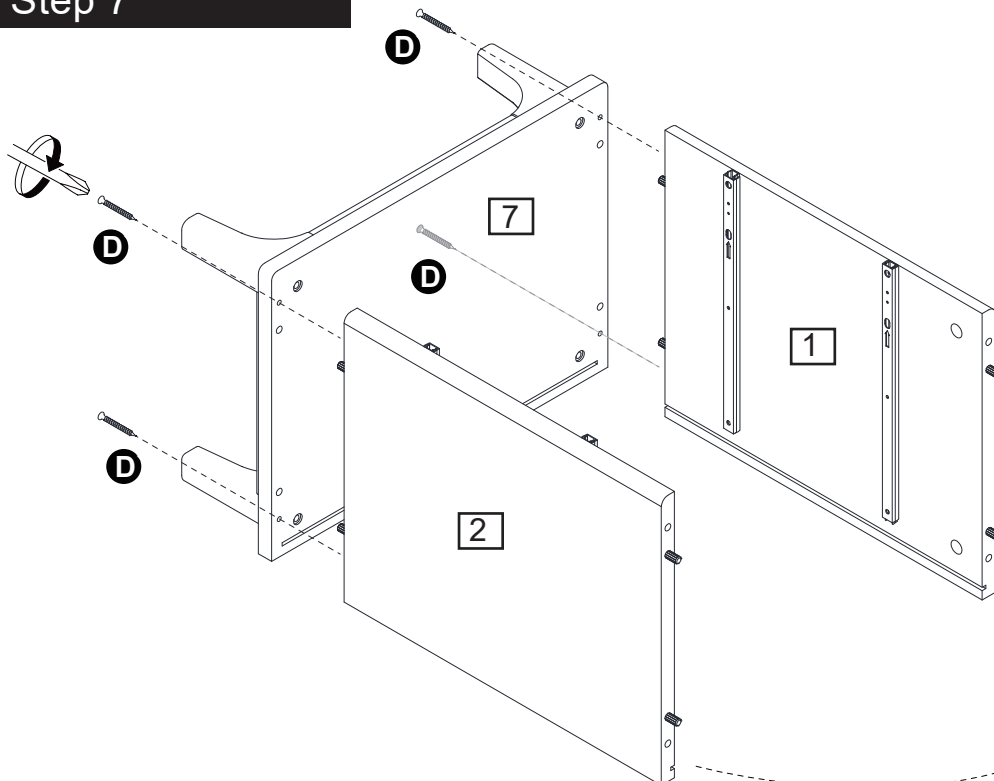
# Assembly Instructions

## Step 6



Use screw (J) to secure part (5, 6) to part (7).

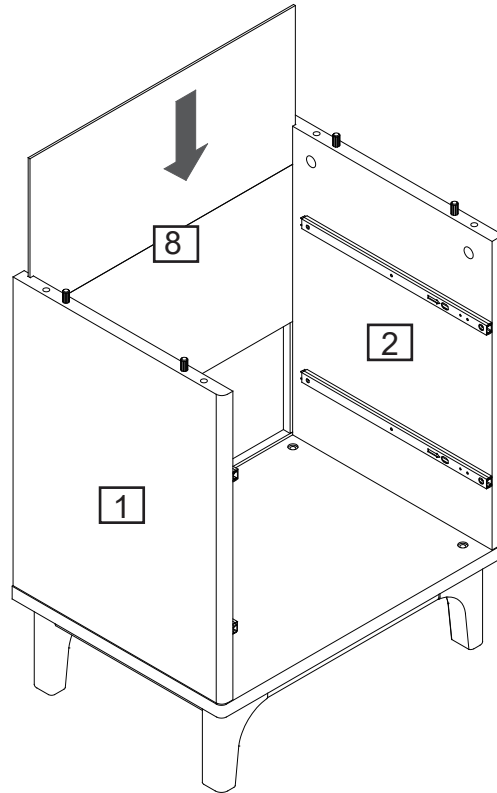
## Step 7



Attach part (1, 2) to part (7) using screw (D) with a screwdriver.

# Assembly Instructions

## Step 8

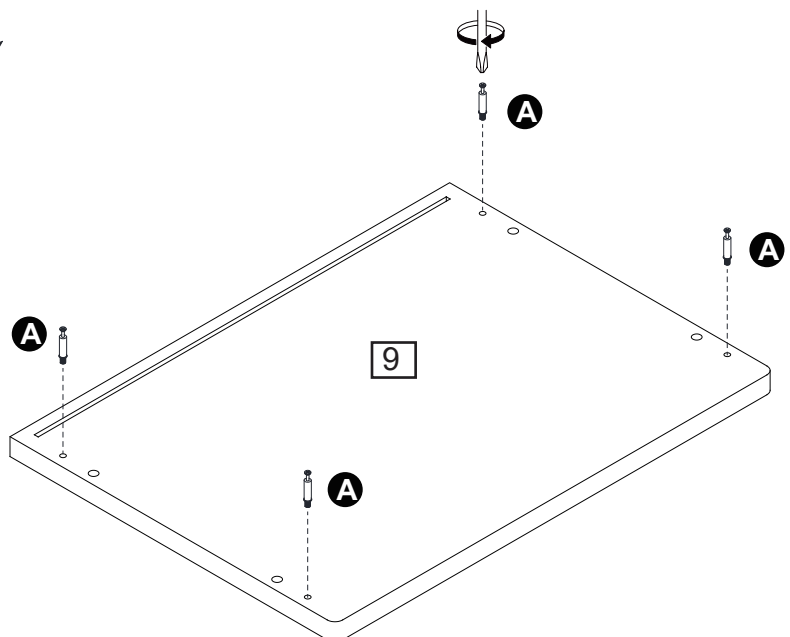
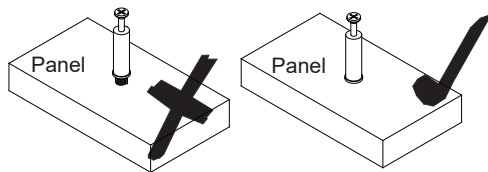
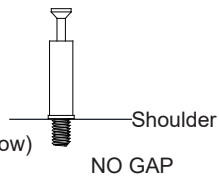


Slide the back panel (8) into grooves.

## Step 9

### CAM-LOCK

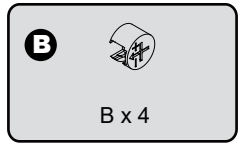
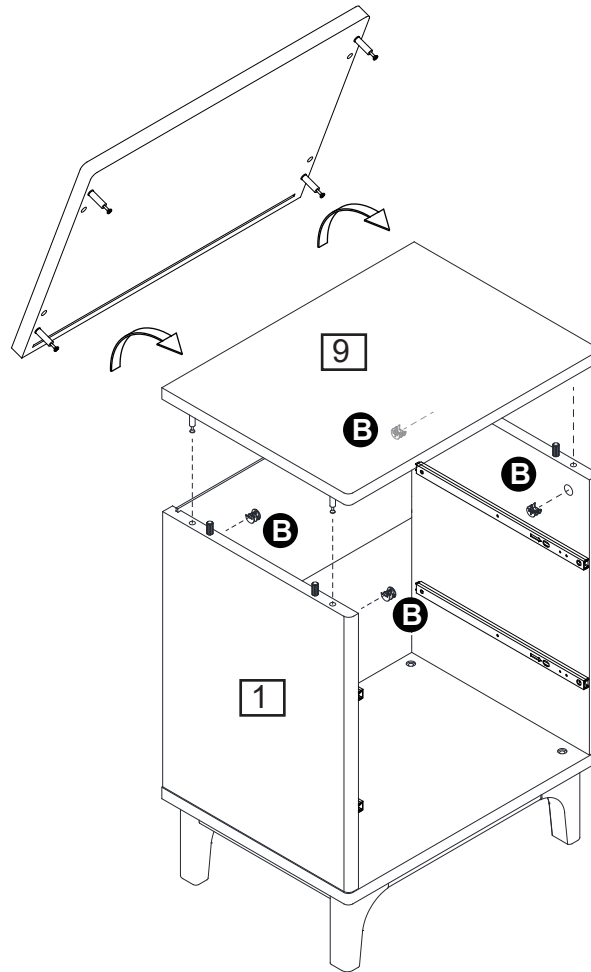
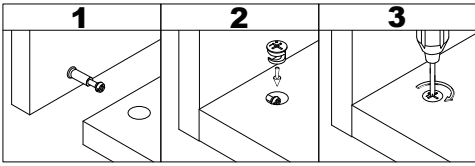
Tighten until shoulder is flush with panel. Do not overtighten or undertighten (see example below)



Attach cam bolt (A) to part (9) with a screwdriver.

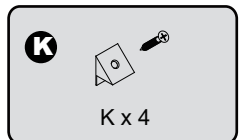
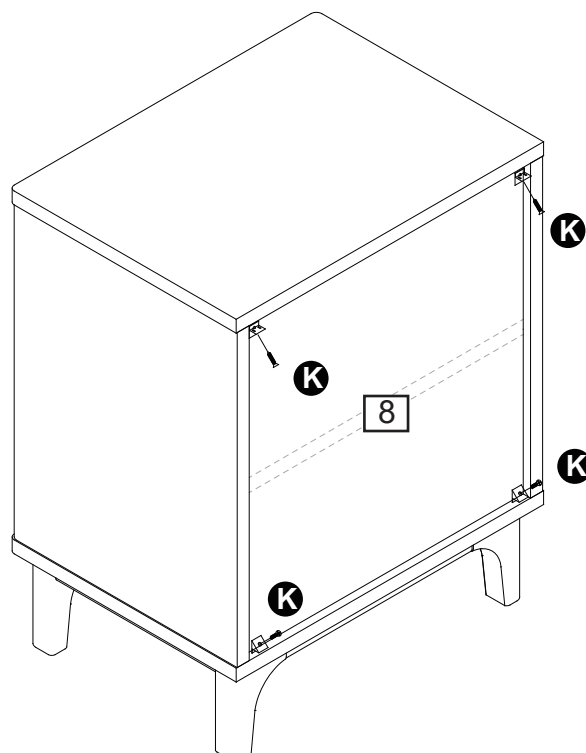
# Assembly Instructions

## Step 10



Attach part (9) to part (1, 2), then insert and secure cam lock (B) to part (1, 2) to lock it.

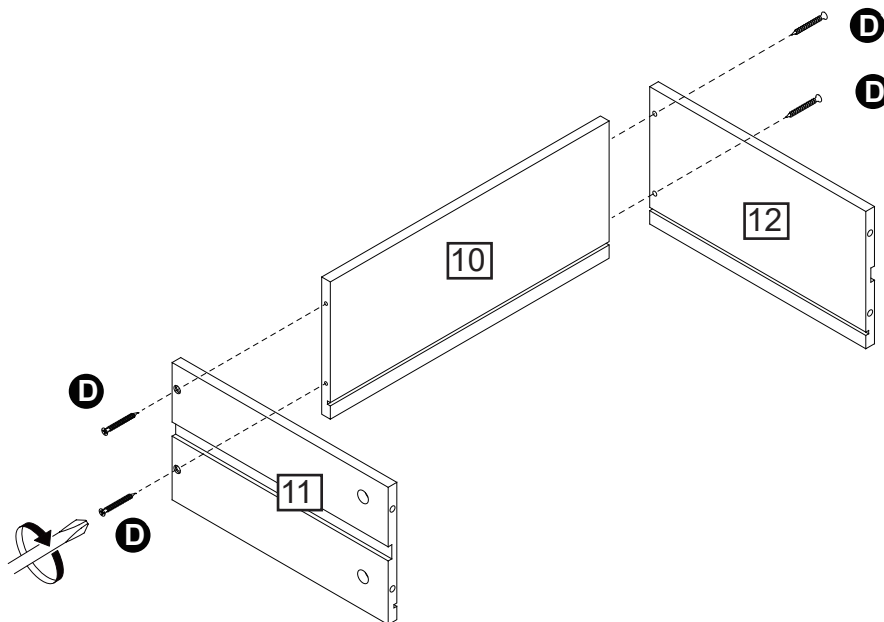
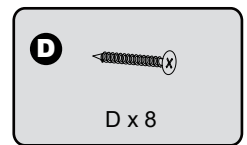
## Step 11



Attach plastic wedge (K) to back panels.

# Assembly Instructions

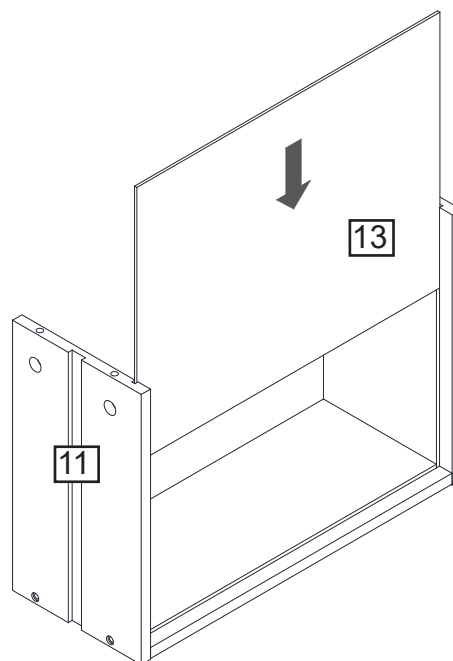
## Step 12



**x2**

Attach part (11, 12) to part (10) using screw (D) with a screwdriver.

## Step 13



**x2**

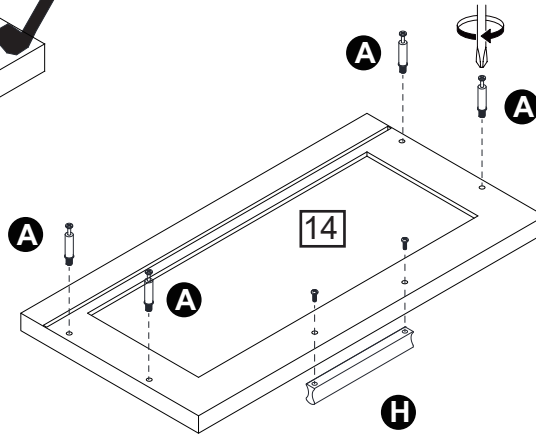
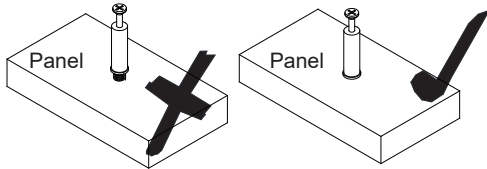
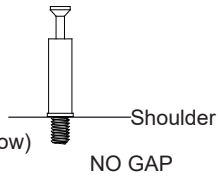
Slide part (13) into grooves as per diagram.

# Assembly Instructions

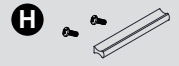
## Step 14

### CAM-LOCK

Tighten until shoulder is flush with panel. Do not overtighten or undertighten (see example below)



A x 8

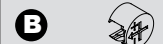
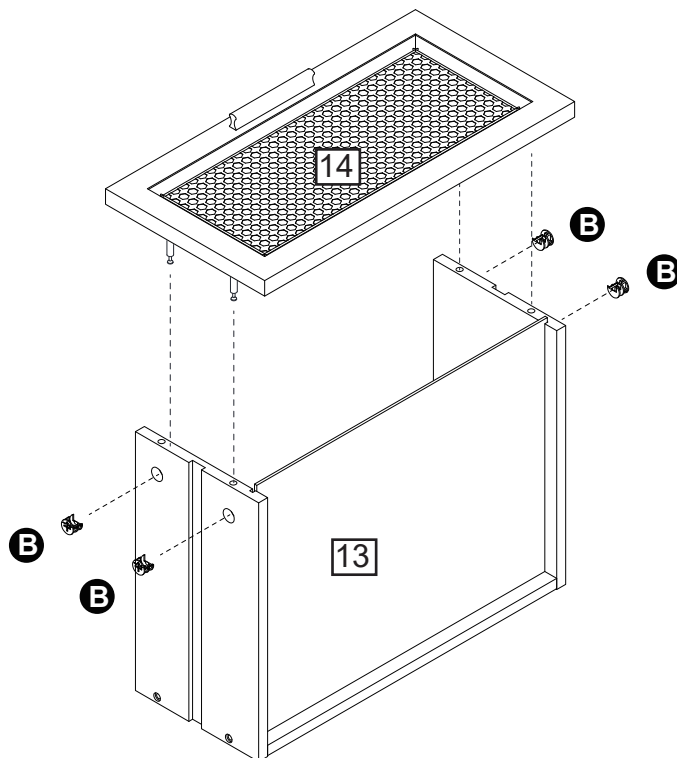
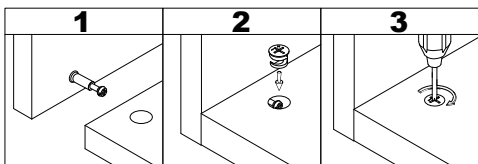


H x 2

# x2

Attach cam bolt (A) and handle (H) to part (14) with a screwdriver.

## Step 15



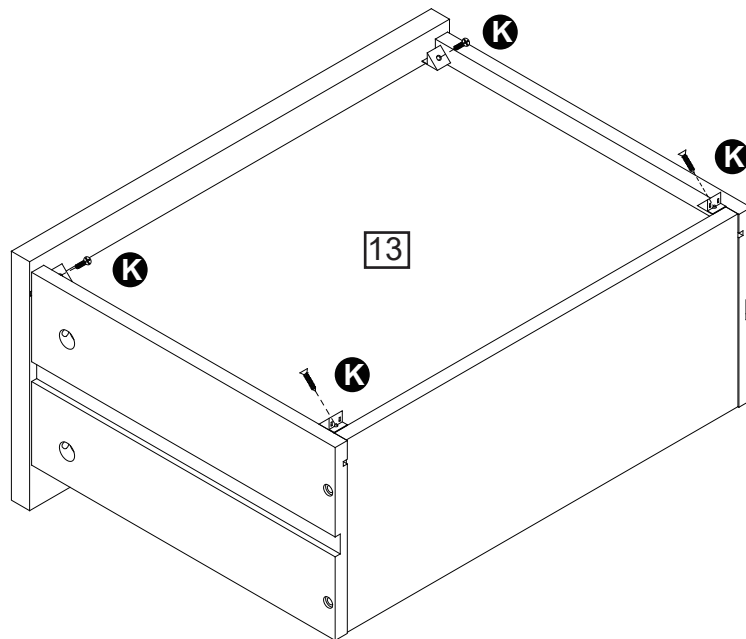
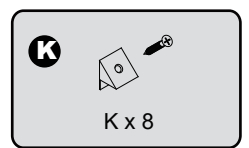
B x 8

# x2

Attach part (14) to part (11, 12), then insert and secure cam lock (B) to part (11, 12) to lock it.

# Assembly Instructions

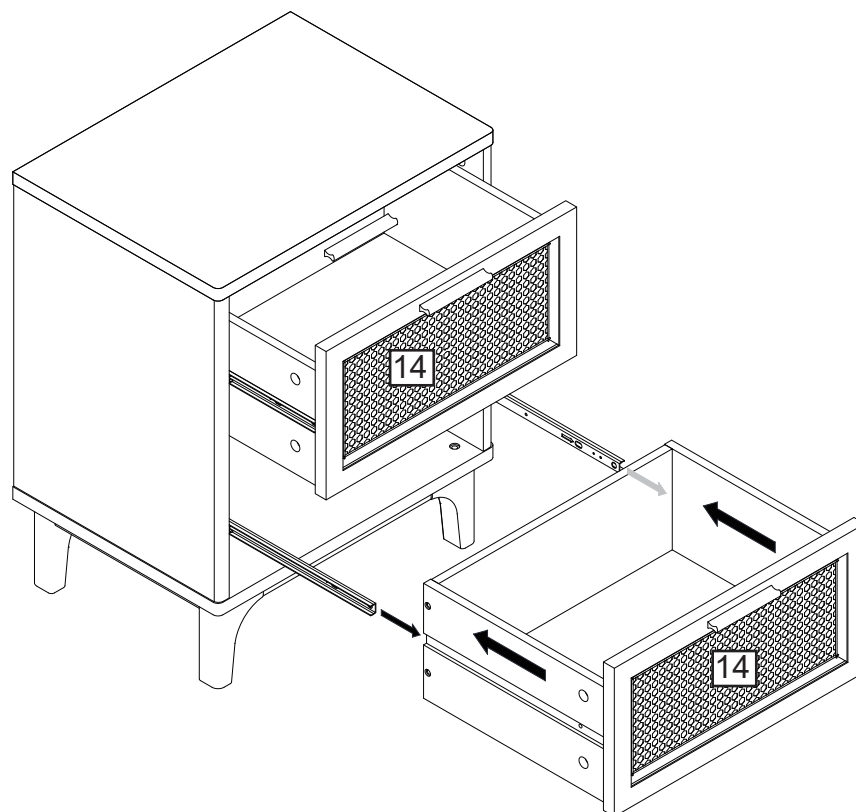
## Step 16



**x2**

Attach plastic wedge (K) to back panels with a screwdriver.

## Step 17



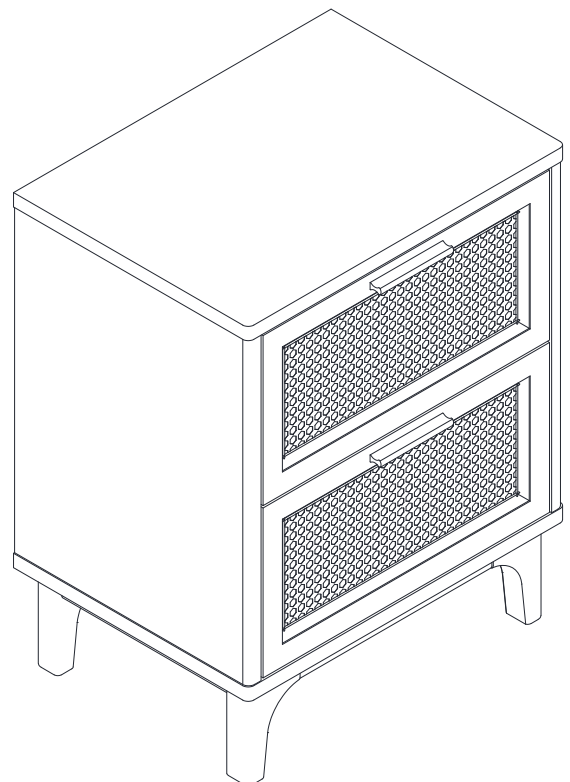
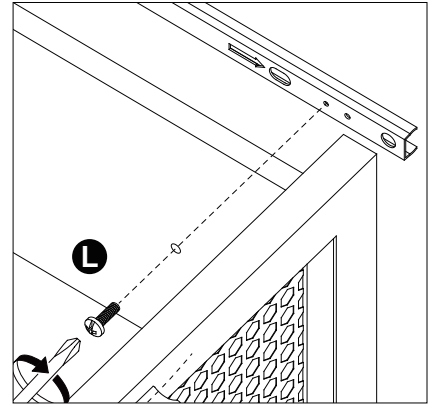
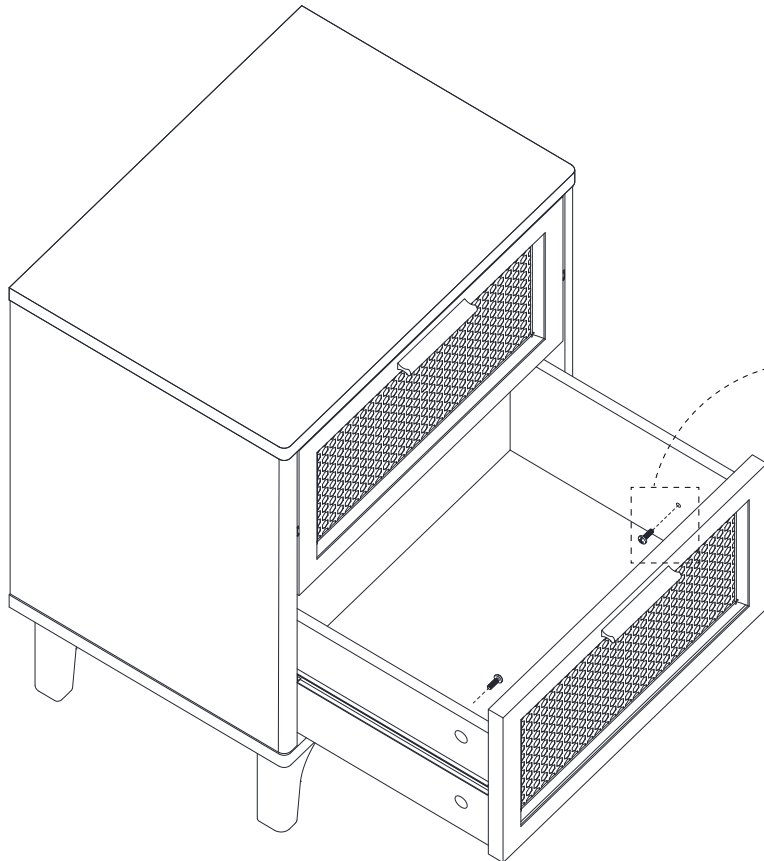
Slide the drawer slide (F) into grooves on both side of the drawer.

# Assembly Instructions

## Step 18



L x 4



Use screw (L) to secure drawer slide (F) to the drawer.



# Assembly Instructions

## Step 19

The unit is floor standing, but it is recommended that the unit is secured to the wall.

1. Move the unit into desired position.
2. Mark the wall with a suitable scribe the position of the fixing holes.

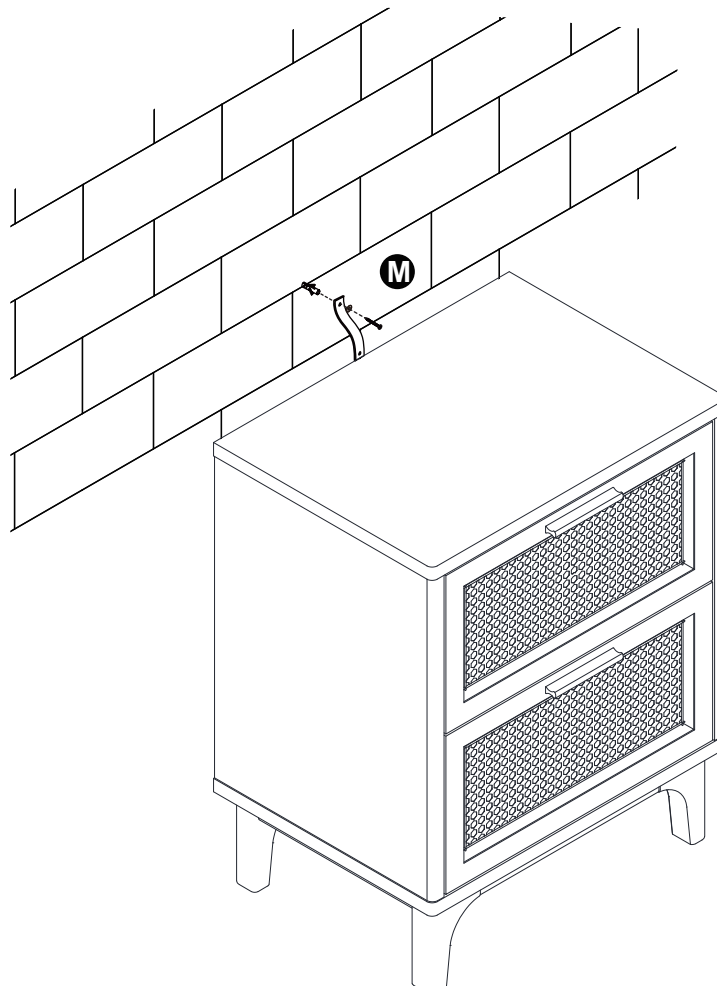
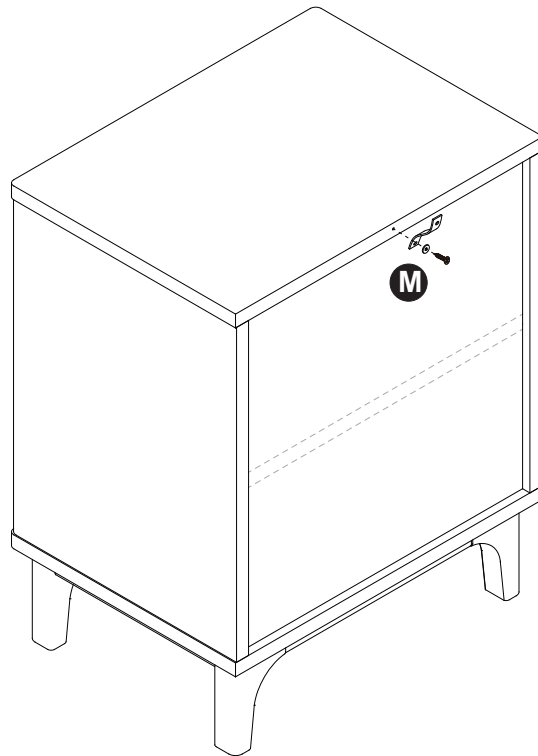
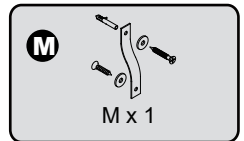


**Warning:**

Before drilling, check wall for hidden pipes and cables.

3. Drill holes and insert wall plug
4. Attach Wall Straps to the top of the unit using Washers and Screws
5. Secure the straps to the wall using Washers and Screws

*Note:* To hide the straps behind the unit, drill the holes lower than the top of the unit



**Assembly is complete.**

# A Guide to Wall Mounting & Fixings

## Important note:

If plastic wall plugs (rawl plugs) are supplied with your product, e.g.:



- these are only suitable for use in masonry walls.

If you are in any doubt about the correct wall plugs for your wall, seek professional advice.


Failure of the product due to using the incorrect fixings is the responsibility of the installer.



**Important:** when drilling into walls always check that there are no hidden wires or pipes etc.

Make sure that the screws and wall plugs being used are suitable for **supporting your unit**. **Consult a qualified tradesperson if you are unsure.**

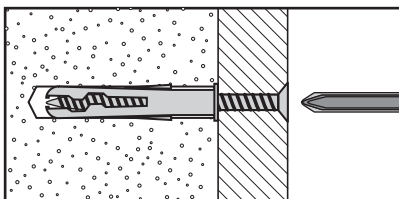
Hints:

- 1: General rule:  always use a larger screw and wall plug if you are not sure.
- 2: Ensure you use the recommended drill bit to match the wall plug and hole size.
- 3: Ensure you drill the hole horizontally; do not force the drill or enlarge the hole.
- 4: Take extra care when drilling high walls, ceilings and ceramic tiles. Ensure wall plugs are inserted beyond the thickness of the ceramic tiles to avoid the tiles splitting or cracking.
- 5: Ensure wall plugs are well fitted and are a tight fit in the drilled hole.

## Types of walls

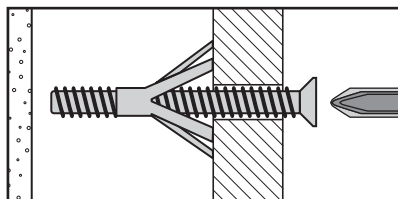
You can use one of the following types of wall plug if your walls are made of brick, breeze block, concrete, stone or wood.

No.1 "General Purpose" wall plug



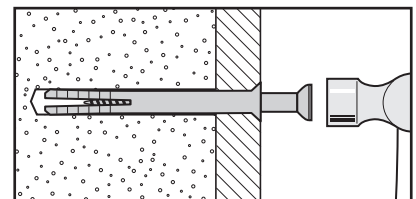
Generally aerated blocks should not be used to support heavy loads, use a specialist fitting in this case. For light loads, general purpose wall plugs can be used.

No.3 "Cavity Fixing" wall plug



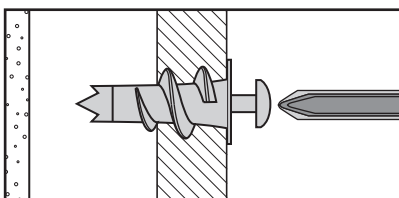
For use with plasterboard partitions or hollow wooden doors.

No.5 "Hammer Fixing" wall plug



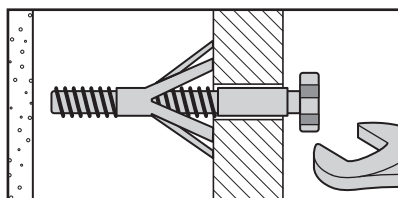
For use with walls stuck with plasterboard. The hammer fixing allows it to be fixed to the wall rather than the plasterboard. Always check the fixing is secure to the retaining wall.

No.2 "Plasterboard" wall plug



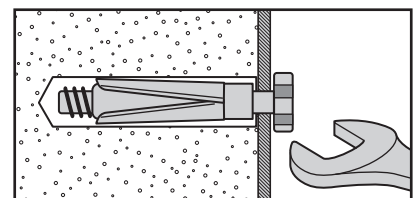
For use when attaching light loads onto plasterboard partitions.

No.4 "Cavity Fixing - Heavy Duty" wall plug



For use when fitting or supporting heavy loads such as shelving, wall cabinets and coat racks.

No.6 "Shield Anchor" wall plug - heavy loads



For use with heavier loads such as TV and HiFi speakers and satellite dishes etc.



## Care & Maintenance

**Safety:** always check the fitting and location to ensure your safety in and around the home.

**Fitting:** from time to time check the fitting to ensure the wall plugs or screws do not become loose.