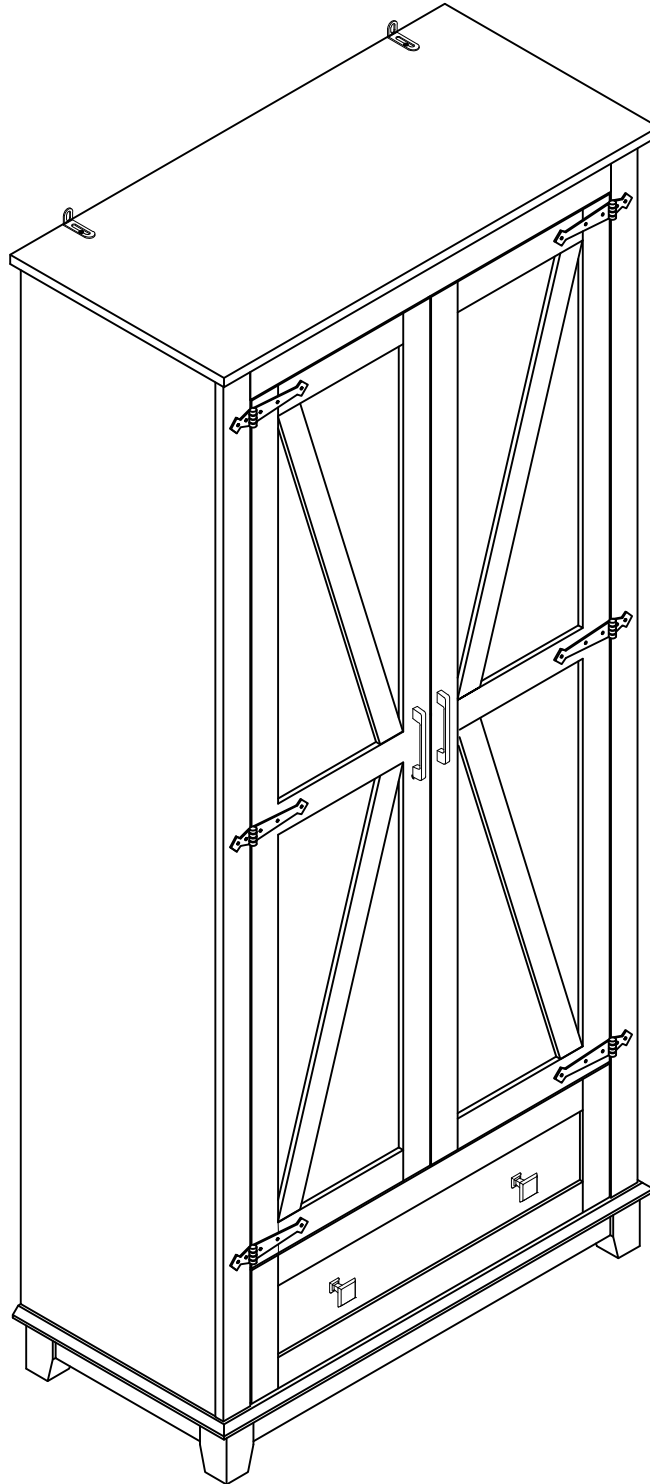


Pantry

Assembly Instructions - Please keep for future reference

1061080288B

1061080289B



Dimensions

Width - 32inch

Depth - 15.7inch

Height - 71.2inch

Important – Please read these instructions fully before starting assembly



Safety and Care Advice

Important – Please read these instructions fully before starting assembly

- Check you have all the components and tools listed on the following pages.
- Remove all fittings from the plastic bags and separate them into their groups.
- Keep children and animals away from the work area, small parts could choke if swallowed.
- Make sure you have enough space to layout the parts before starting.

- During assembly do not stand or put weight on the product, this could cause damage.
- Assemble the item as close to its final position (in the same room) as possible.
- Assemble on a soft level surface to avoid damaging the unit or your floor.
- Parts of the assembly will be easier with 2 people.



- To reduce the likelihood of damaging your product please ensure that your power drill is set on a low torque setting.

Care and maintenance

- Only clean using a damp cloth and mild detergent, do not use bleach or abrasive cleaners.
- From time to time check that there are no loose screws on this unit.
- This product should not be discarded with household waste. Take to your local authority waste disposal centre.

Handy Hints

- Assemble all parts and bolts loosely during assembly, only once the product is complete should you fully tighten the bolts
- Regularly check and ensure That all bolts and fittings are tightend properly.

WARNING In order to help prevent overturning – please follow these instructions

To help prevent product toppling over please follow the below steps:-

Use the anti tip stap or wall fixing method provided (if applicable)
Do not allow children to climb or hang on the furniture
Do not open more than one drawer at a time
Do not place heavy items in the top drawers
Do not place heavy items on top of the furniture, unless the furniture has been designed for this purpose

please note that only the anti tip strap is provided.

You will need to provide wall plugs and screws applicable for your wall type

Components - Panels

Please check you have all the panels listed below



1 (1680X50X15mm)X1



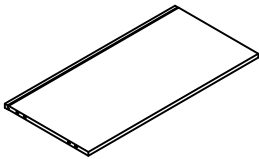
2 (1680X365X15mm)X1



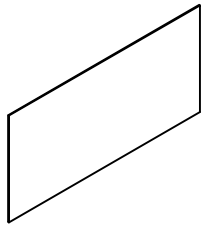
3 (1680X50X15mm)X1



4 (1680x365X15mm)X1



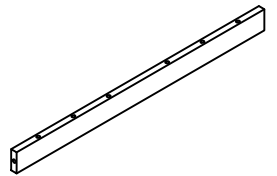
5 (743x364X15mm)X2



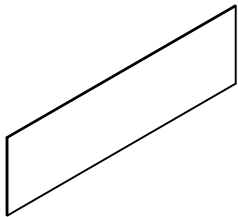
6 (753X364X2.7mm)X4



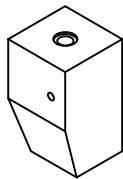
7 (96x50X15mm)X1



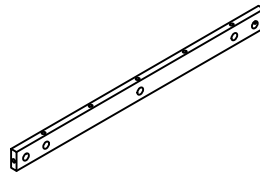
8 (675x50X15mm)X1



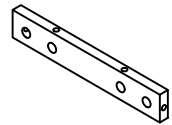
9 (753x222X2.7mm)X1



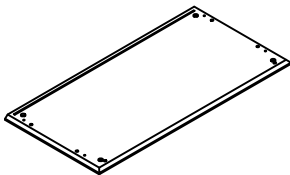
10 (85X50X50mm)X4



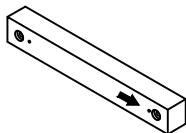
11 (673X45X15mm)X2



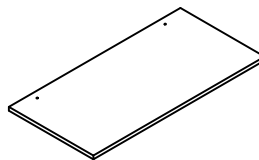
12 (275x45X15mm)X2



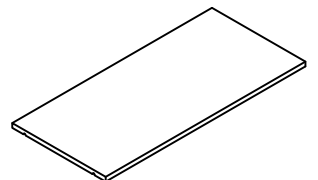
13 (803X395X15mm)X1



14 (300x40X34mm)X2



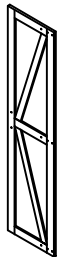
15 (813x400X30mm)X1



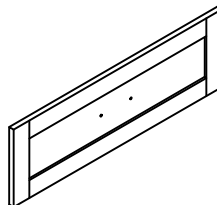
16 (741x346X15mm)X2



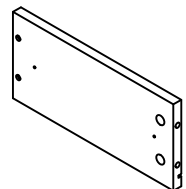
17 (1403x334X15mm)X1



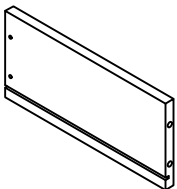
18 (1403x334X15mm)X1



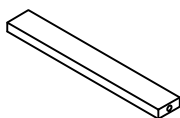
19 (670x216X15mm)X1



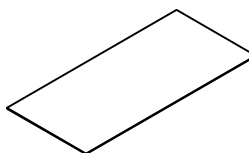
20 (300x140X15mm)X1



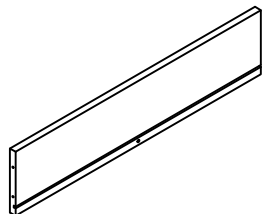
21 (300x140X15mm)X1



22 (283x40X15mm)X1



23 (629x293X2.7mm)X1

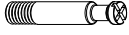


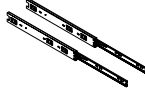


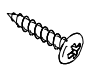



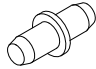
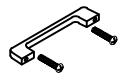

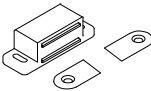



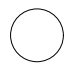
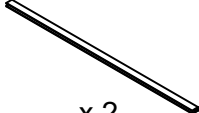



24 (619x140X15mm)X1

Components - Fittings

Please check you have all the panels listed below

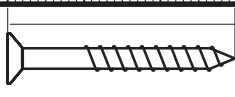
Note: The quantitie below are the correcet amount to complete the assembly. In some cases more fittings may be supplied than are required.

A  Male Camlock x 57	B  Female Camlock x 57	C  Dowel (8x30) x 36
D  Drawer slider 12" X 1	E  3.5*12mm Screw x 8	F  Door Hinge x 6
G  4*14mm Screw x 30	H  3*17mm Screw x 16	I  Plasticwedge x 16
J  6*35mm Screw x 8	K  Shelf Support Pin x 8	L  Handle & Fixings x 2
M  Handle & Fixings x 2	N  Magnet Touch x 2	O  3*14mm Screw x 4
P  Wall Fixing Pack x 2	Q  4*30mm Screw x 7	R  Ø20 Sticker x 24
S  741mm x 2	T  Protective Feet x 4	



Ruler - Use this ruler to help correctly identify the screws

0 5 10 15 20 25 30 35 40 45 50 55 60 65 70 75 80 85 90 95 100 105 110 115 120 125 130 135 140 145 150 155 160 165 170



The screws length is measured from the head to the point (30mm screw shown).

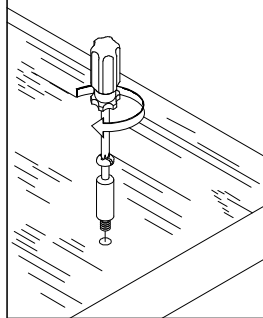
Using Camlocks

Step 1

Connect the male camlock as directed in the assembly instructions using a screwdriver.

1

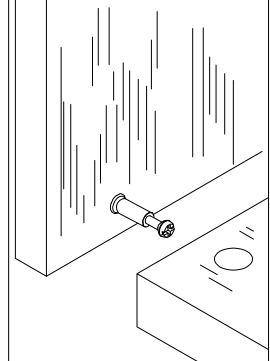
DO NOT OVER TIGHTEN.
NE PAS SERRER EXCESSIVEMENT.



Step 2

Push the male camlock into the entry hole.

2

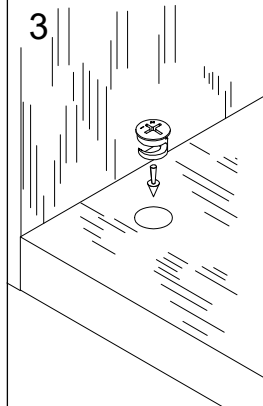


Step 3

Insert the female camlock as shown in the instruction.

Note: ensure that the arrow on the top of the camlock points towards the entry hole for the male camlock.

3



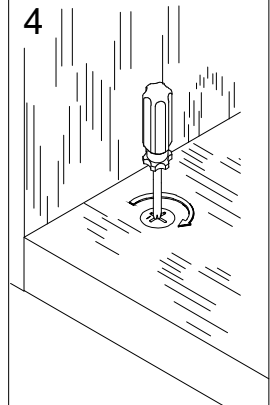
Step 4

Turn the female camlock clockwise with a screwdriver.

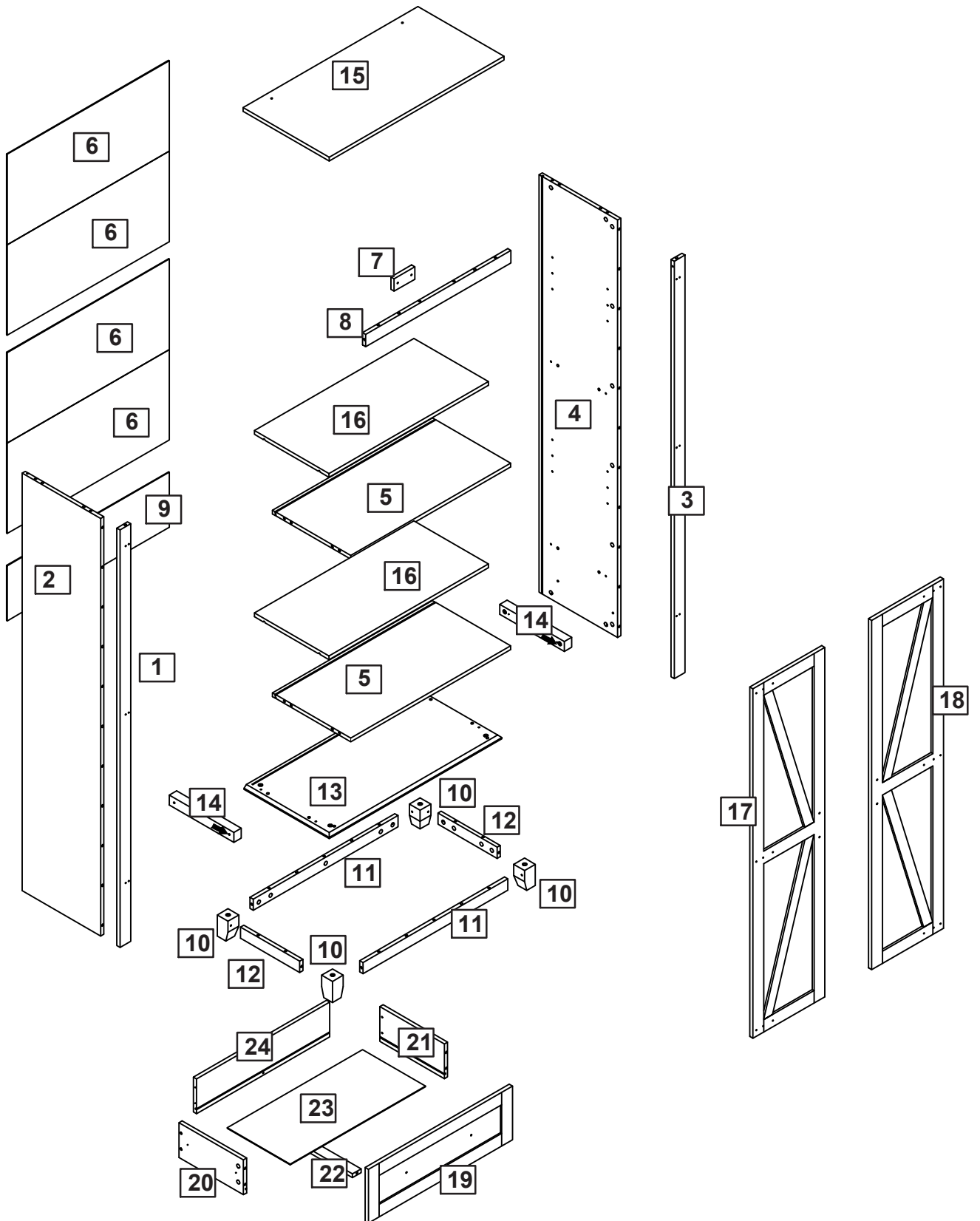
You should feel a click when the camlock is locked in place.

The joint is now secure.

4



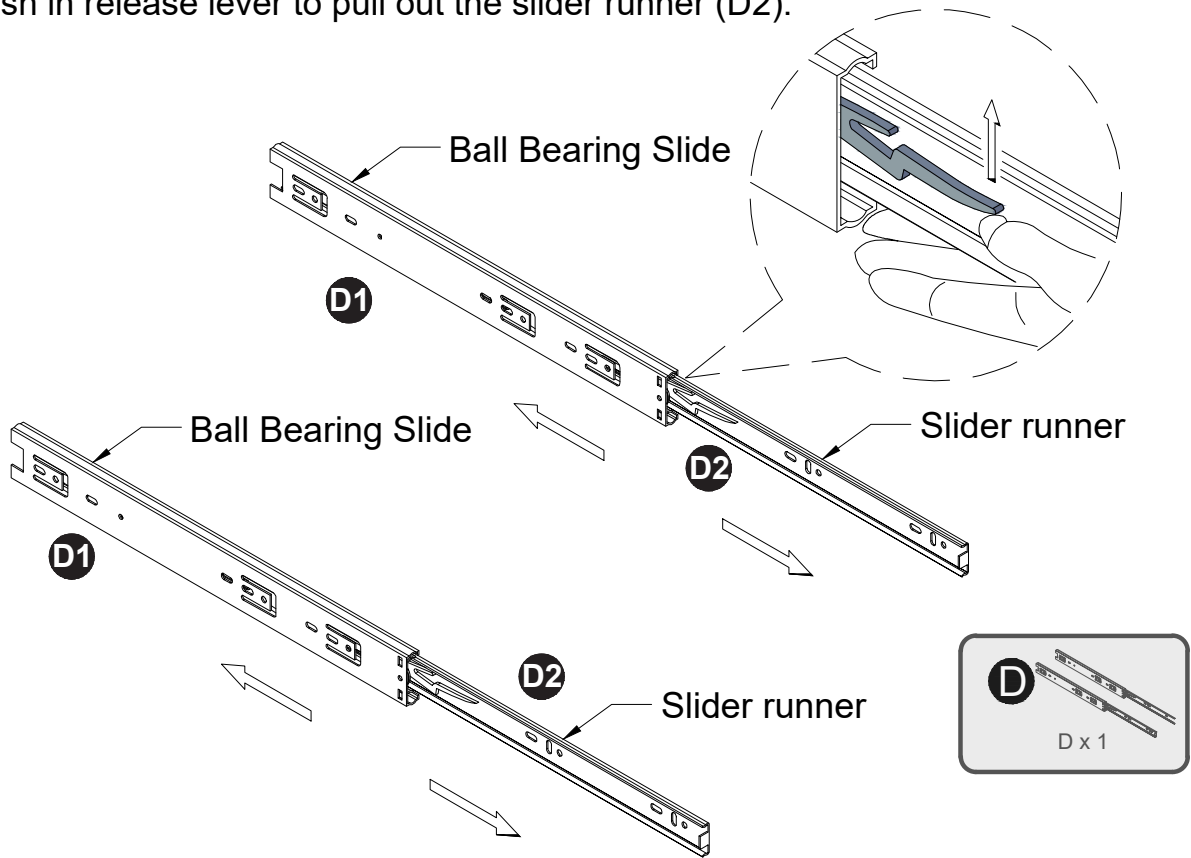
Assembly Instructions



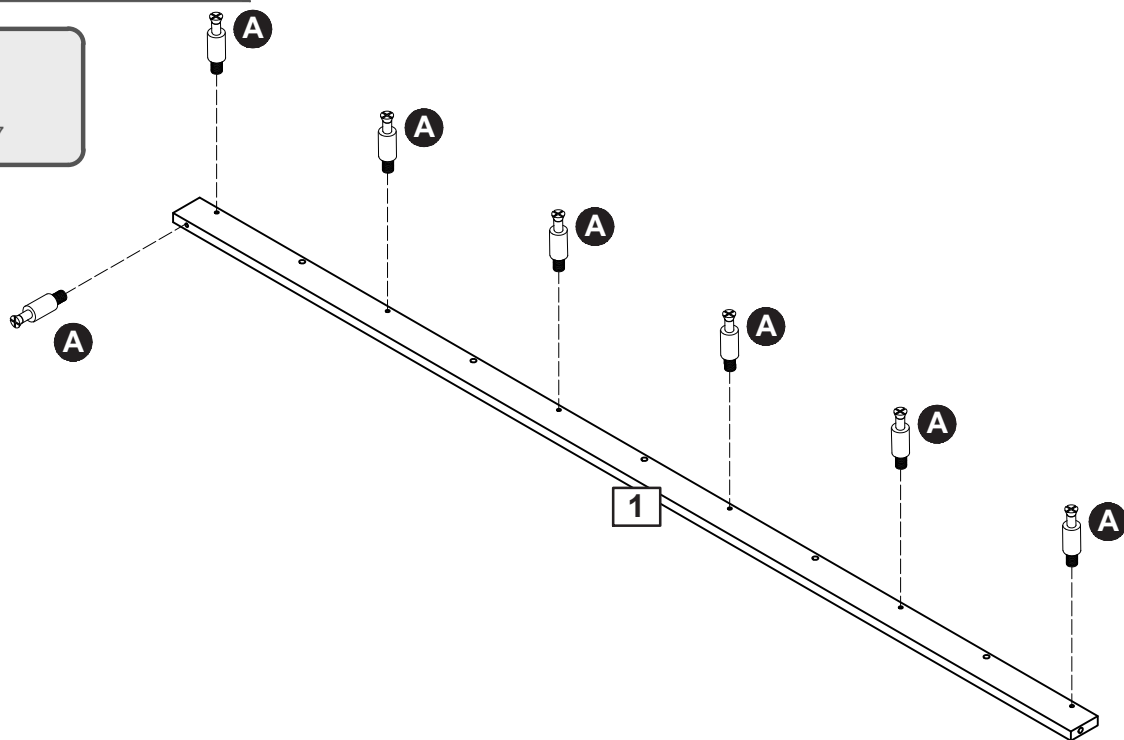
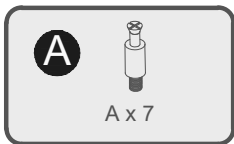
Assembly Instructions

Step 1

Push in release lever to pull out the slider runner (D2).

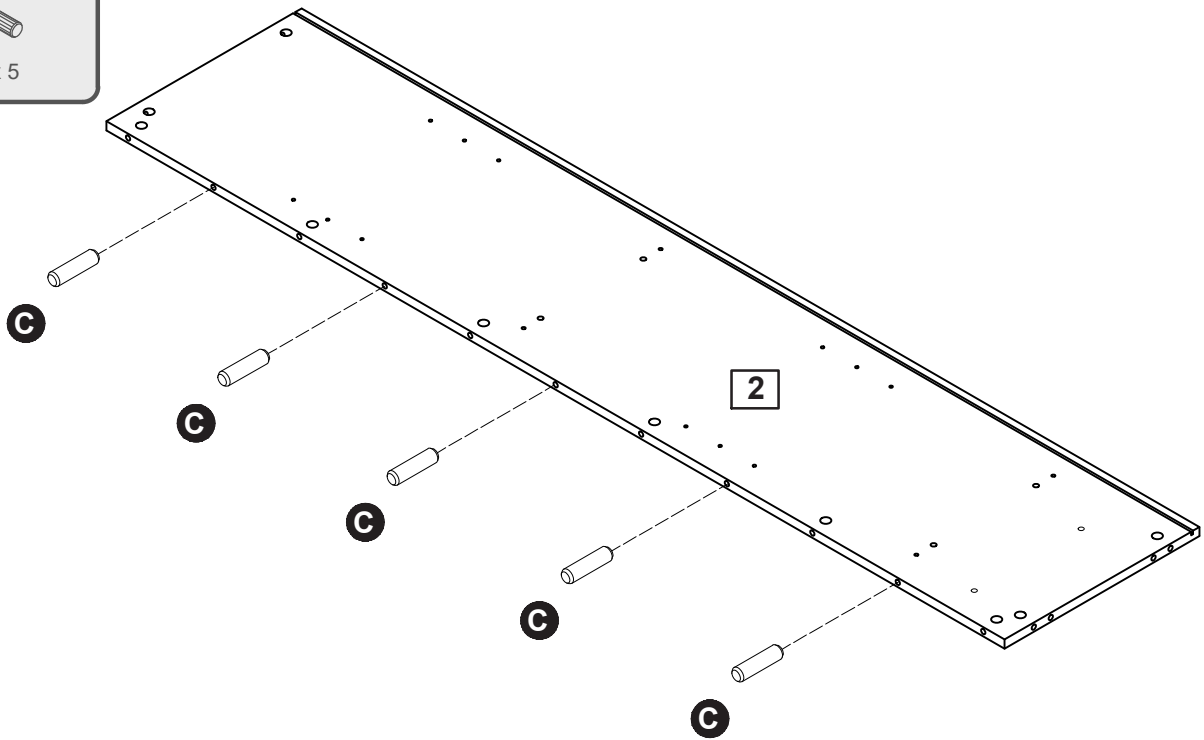
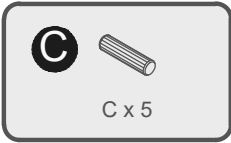


Step 2

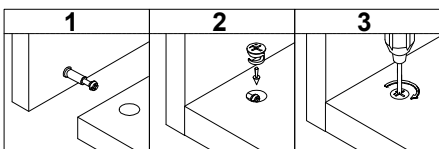
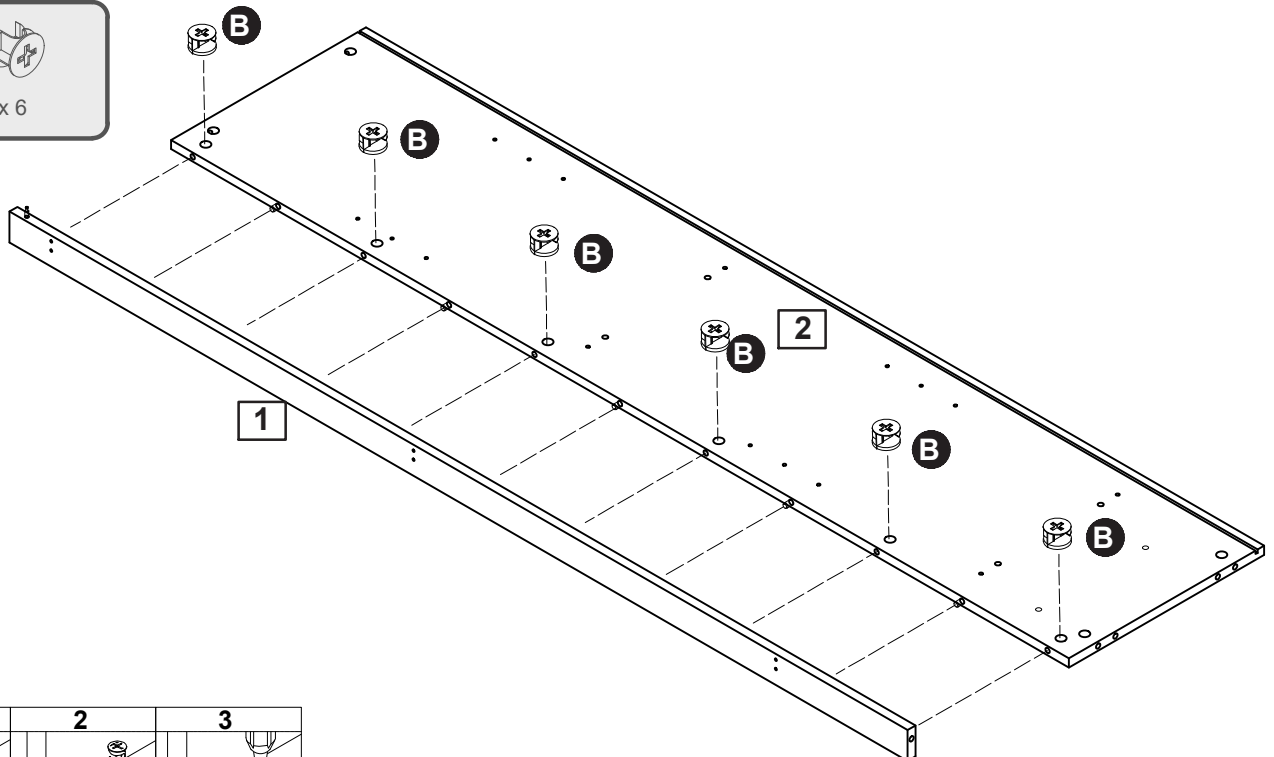


Assembly Instructions

Step 3

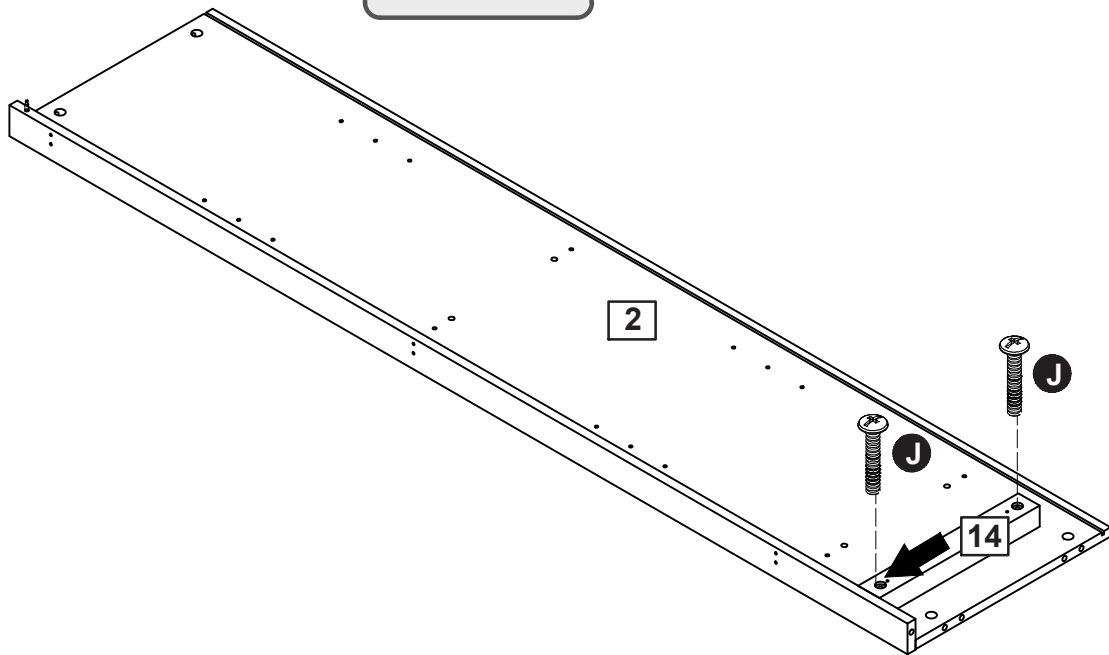
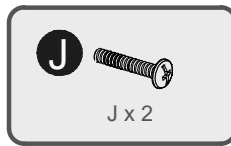


Step 4

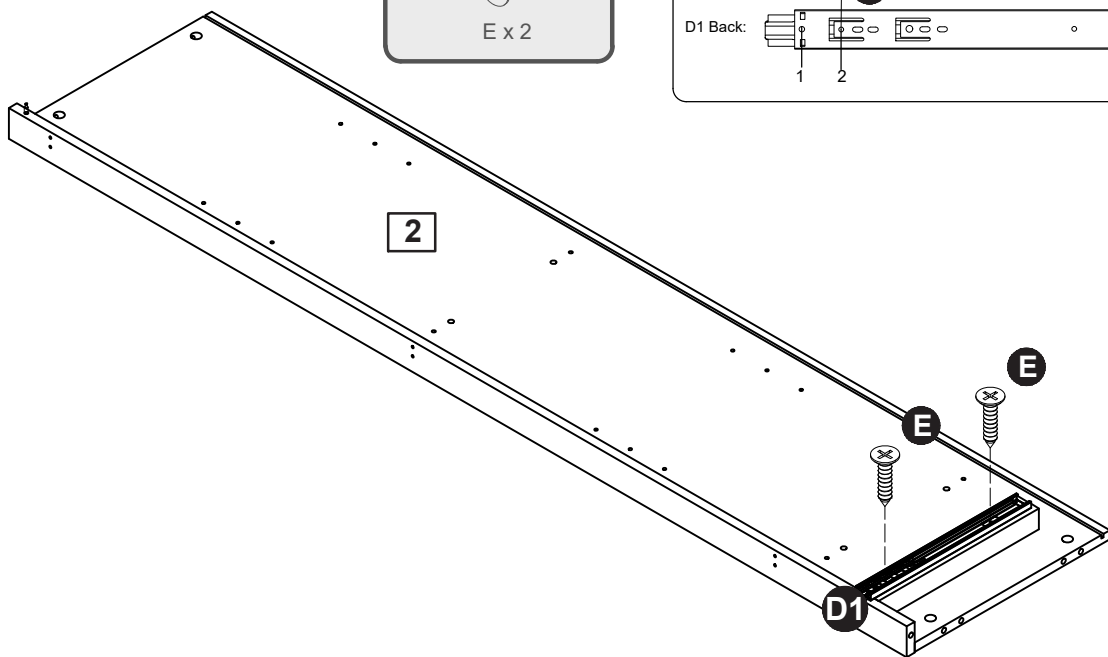
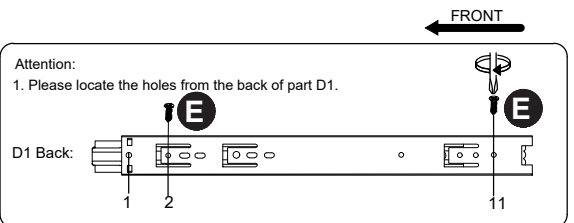
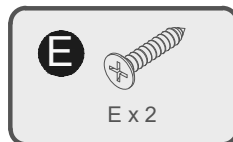


Assembly Instructions

Step 5

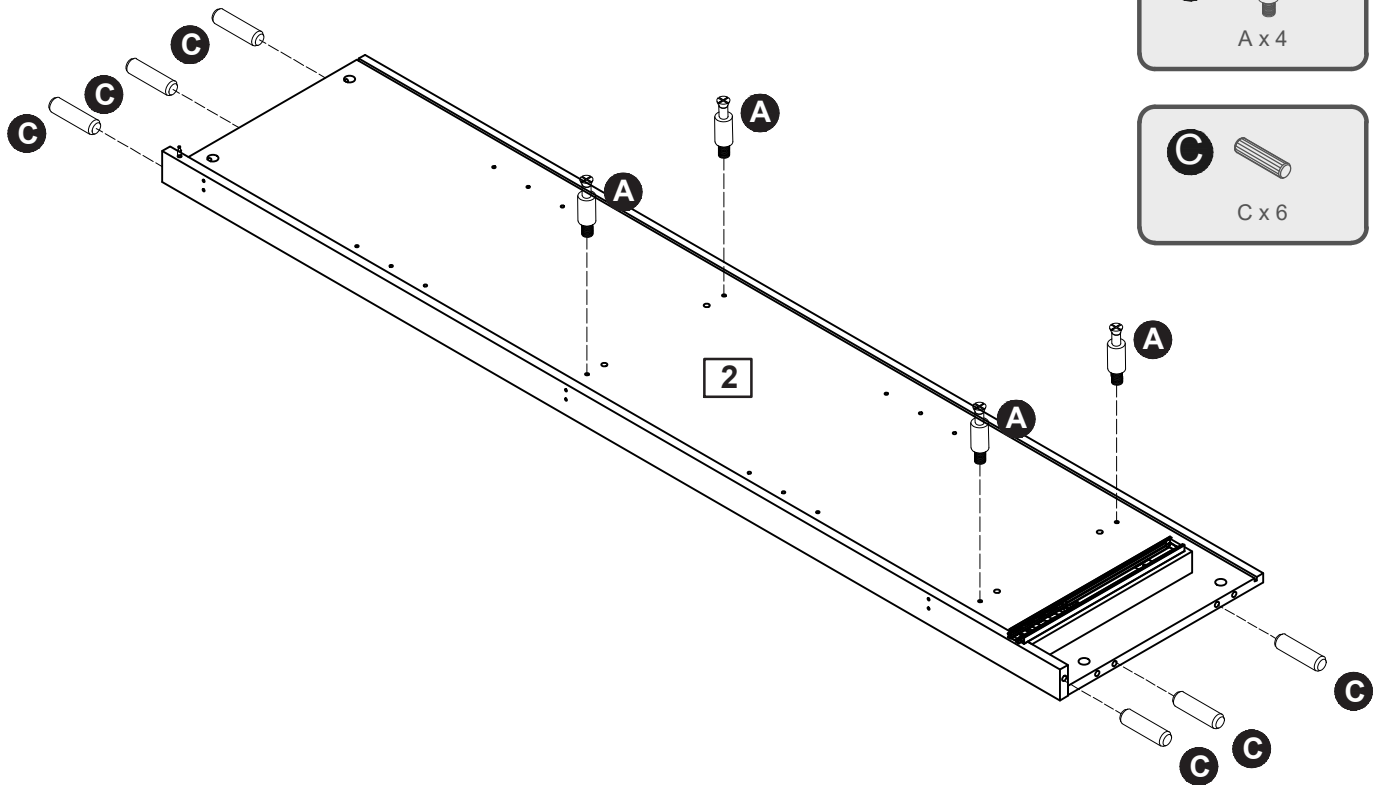


Step 6

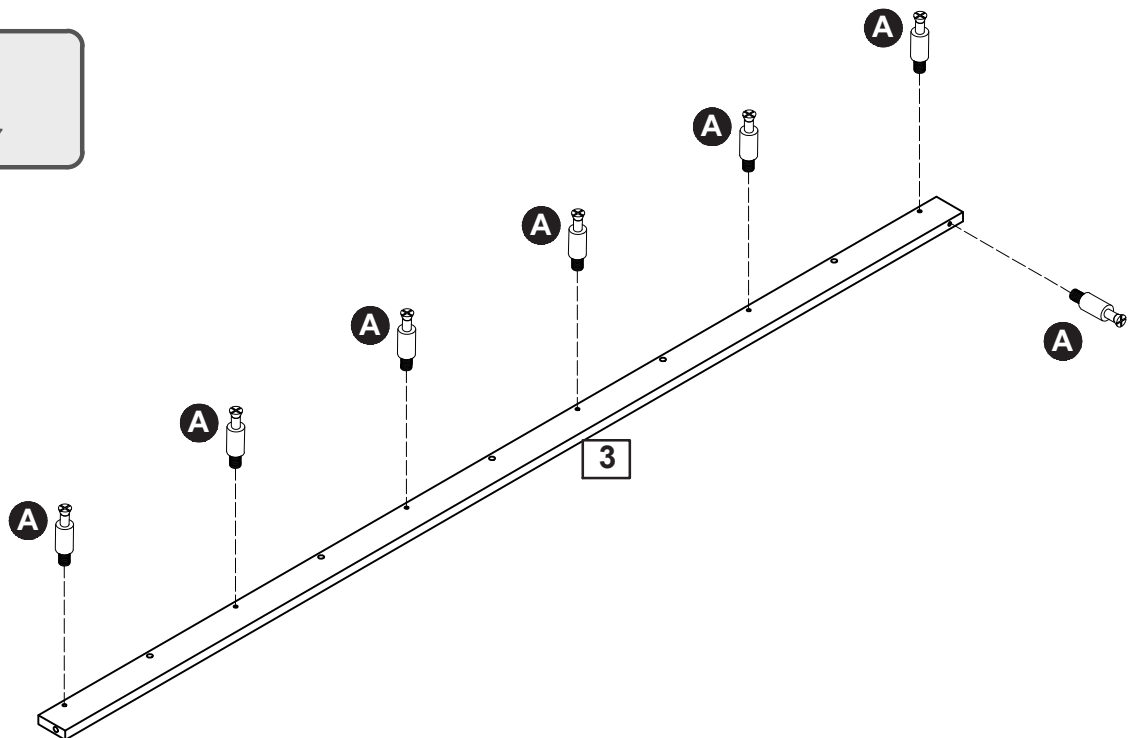
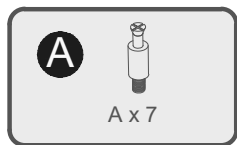


Assembly Instructions

Step 7

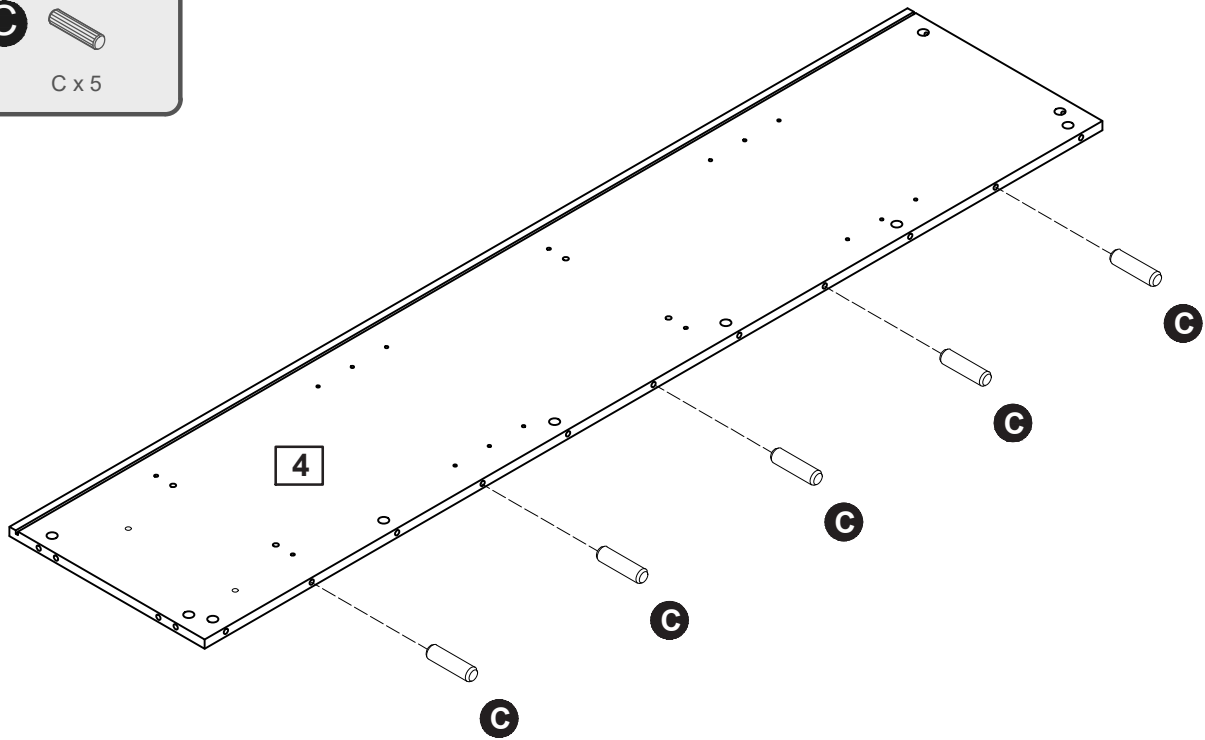
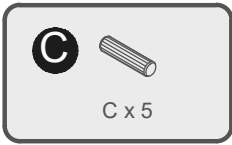


Step 8

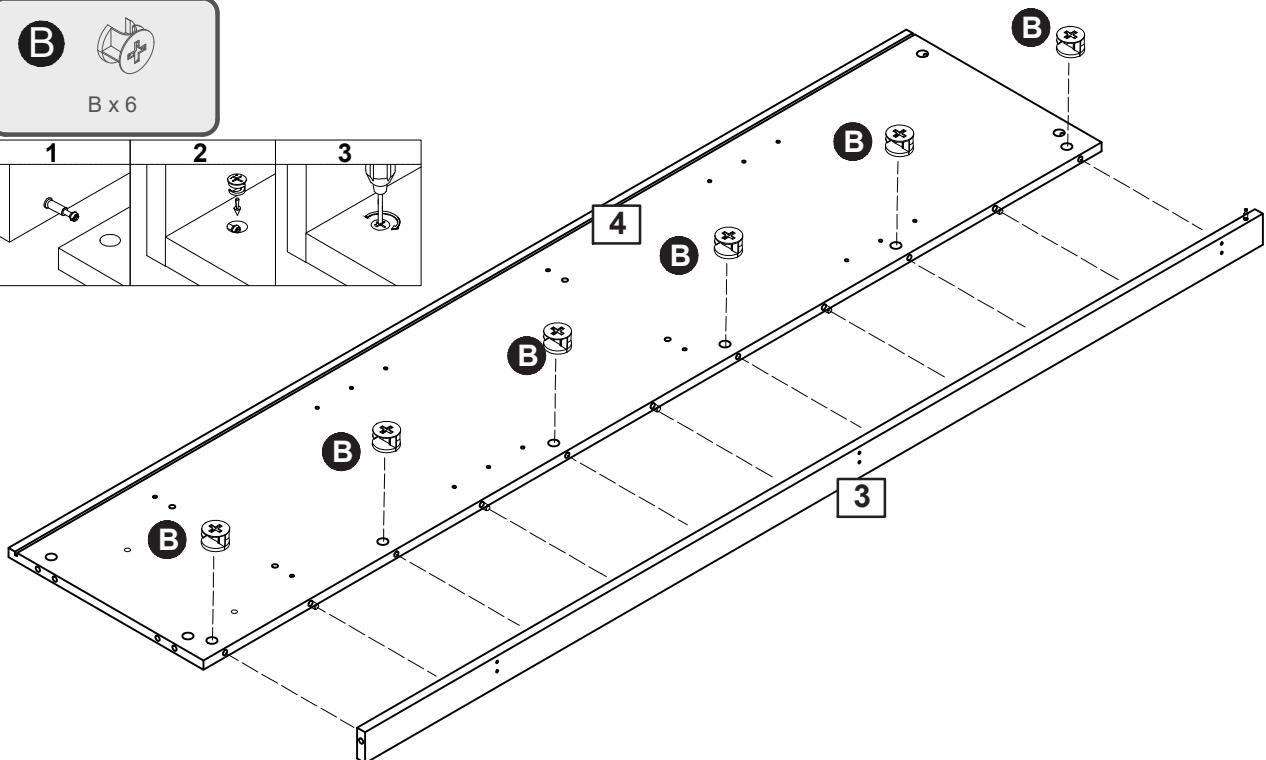
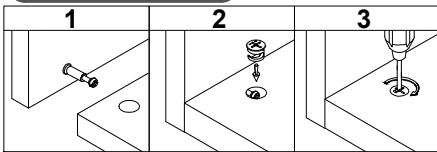


Assembly Instructions

Step 9

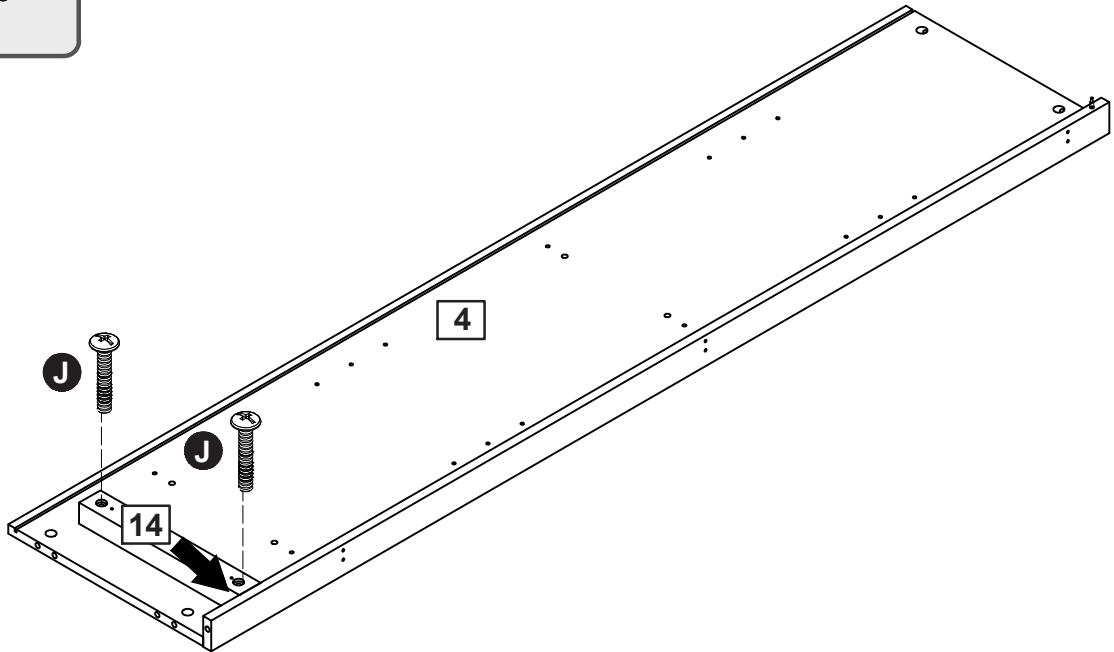
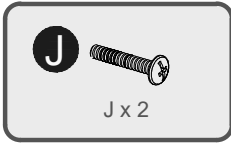


Step 10

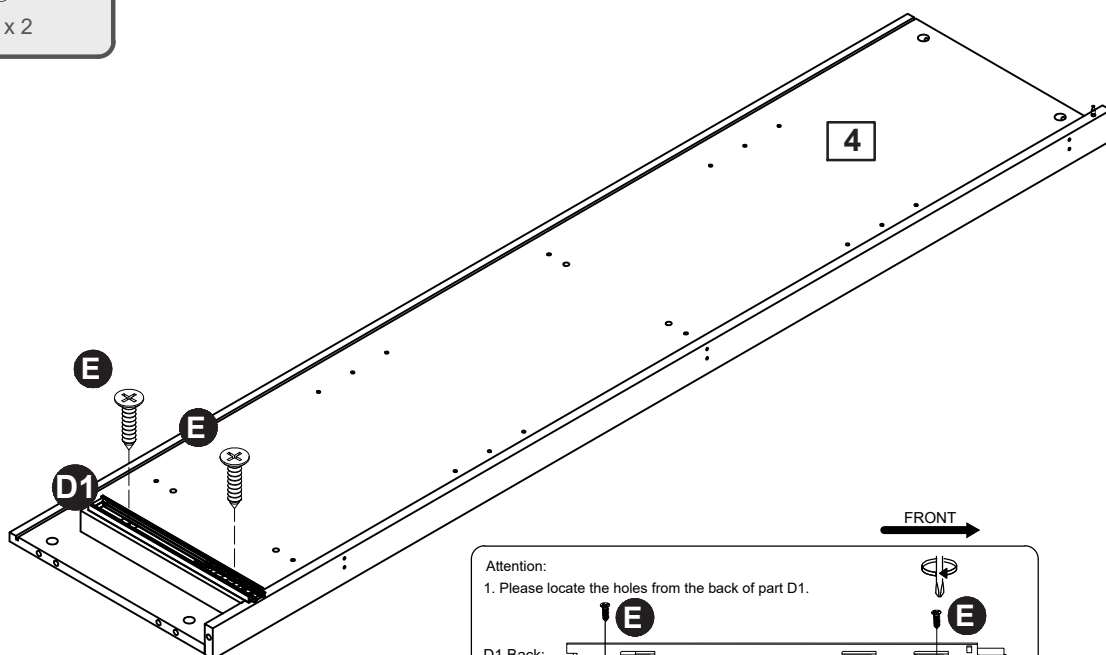


Assembly Instructions

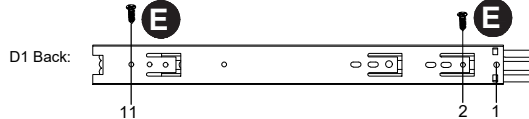
Step 11



Step 12



Attention:
1. Please locate the holes from the back of part D1.



Assembly Instructions

Step 13

A

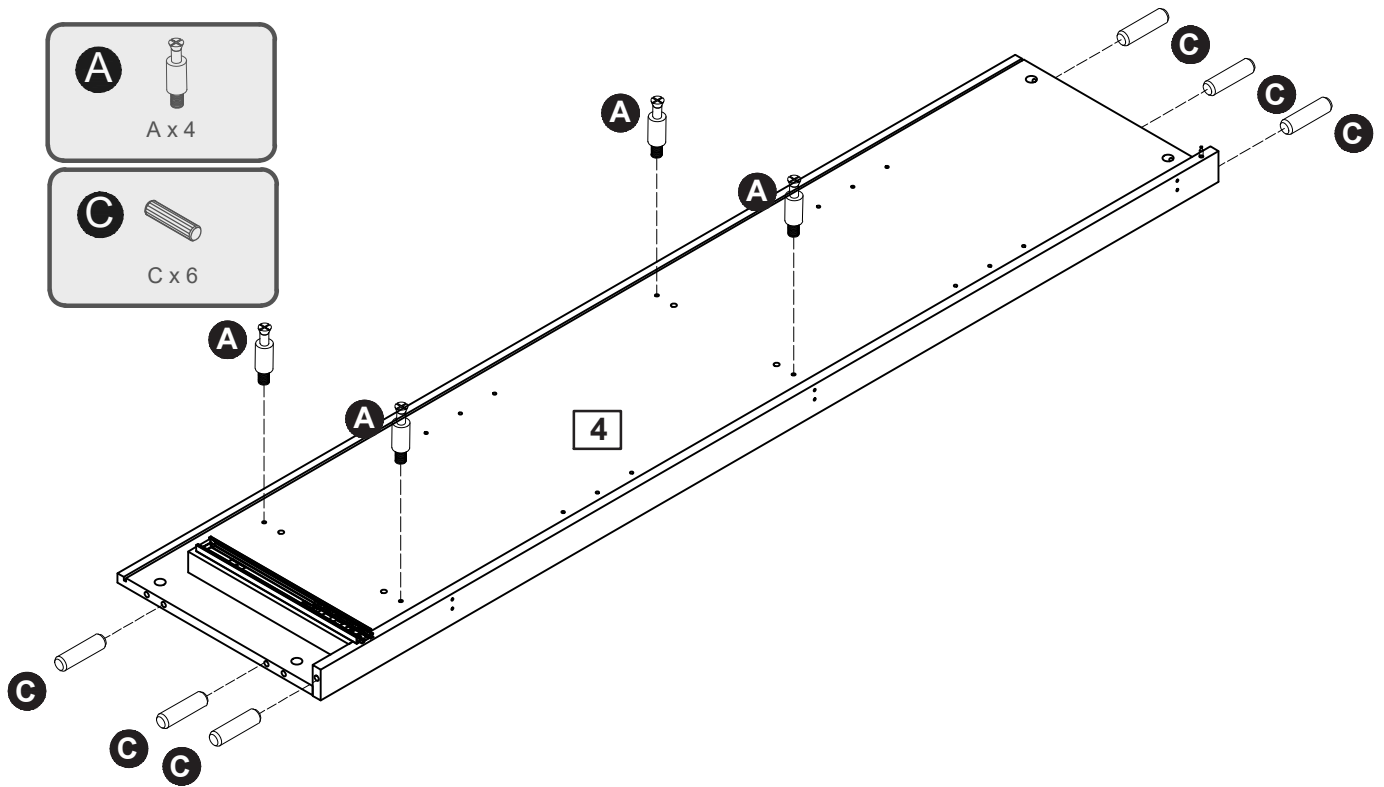


A x 4

C



C x 6

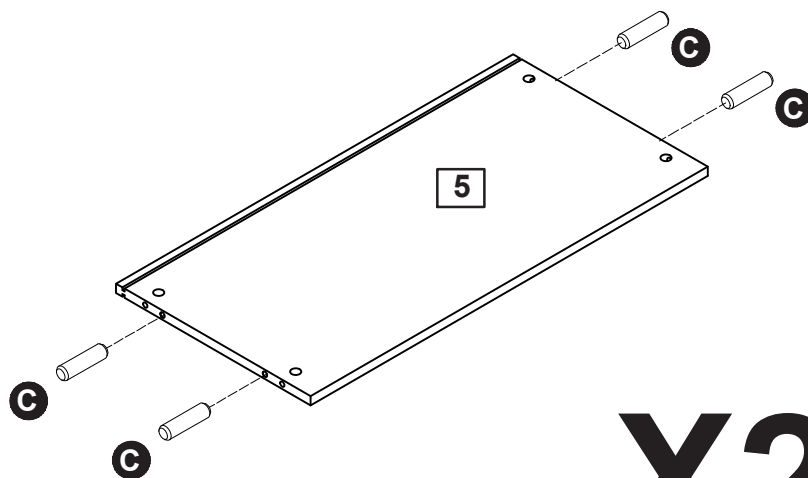


Step 14

C



C x 8



X2

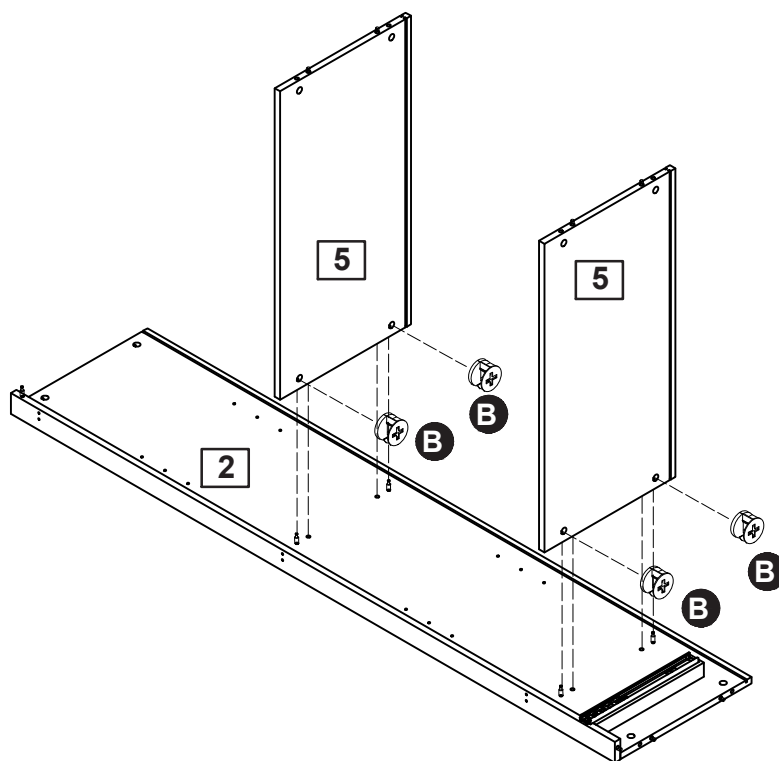
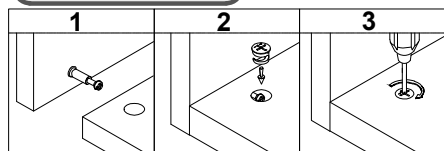
Assembly Instructions

Step 15

B

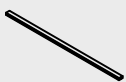


B x 4

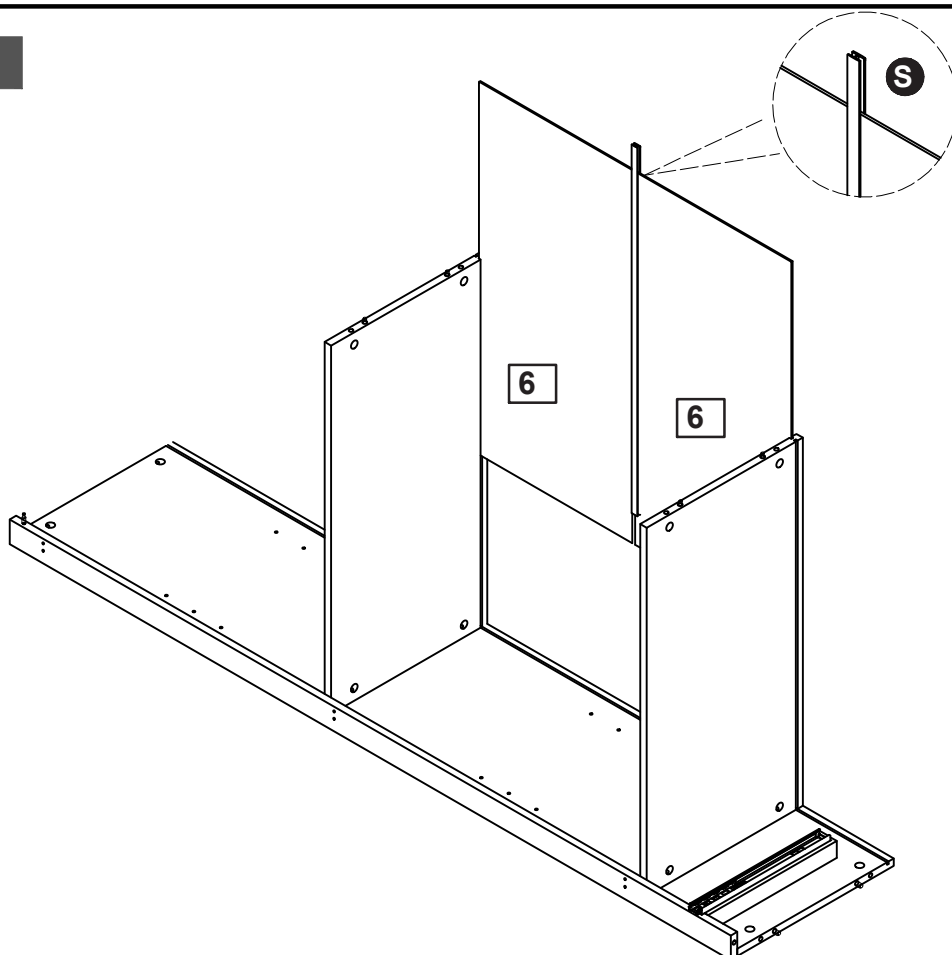


Step 16

S

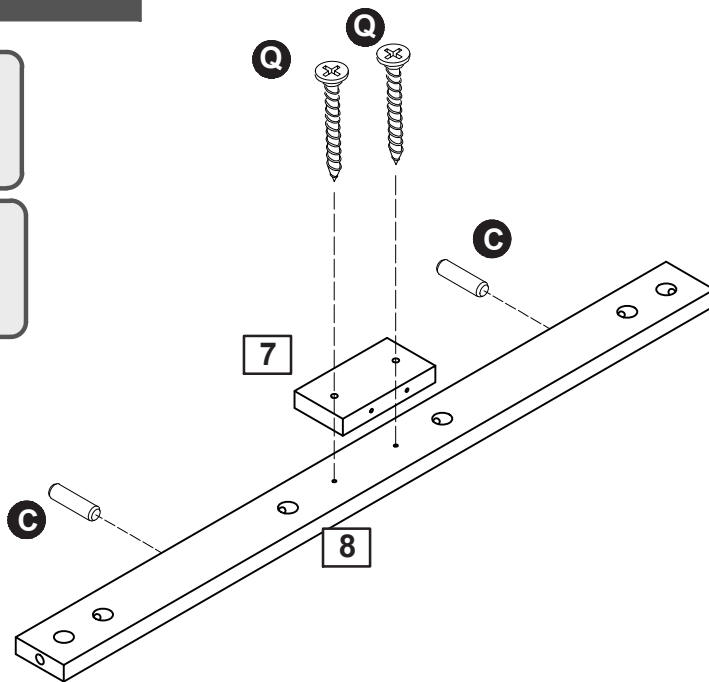
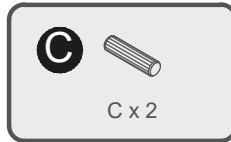
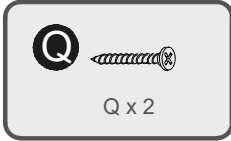


S x 1

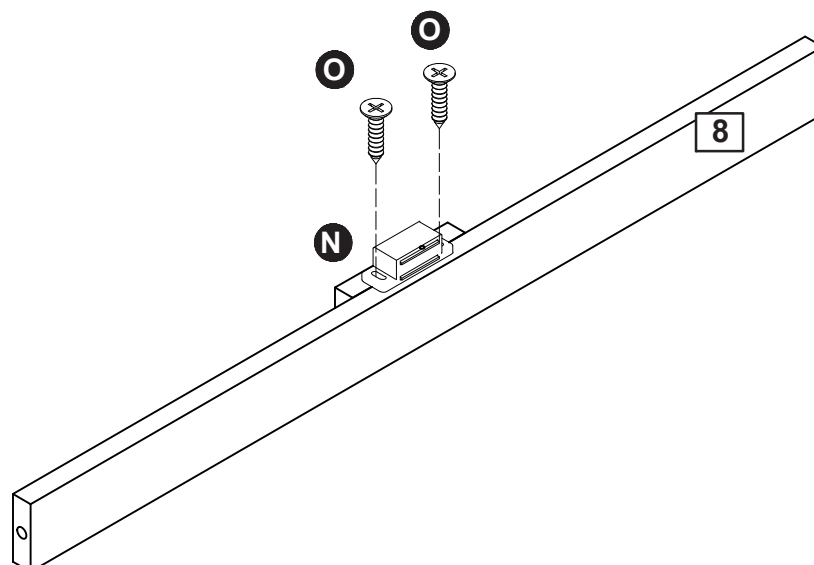
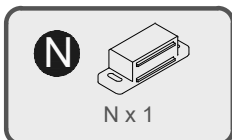


Assembly Instructions

Step 17

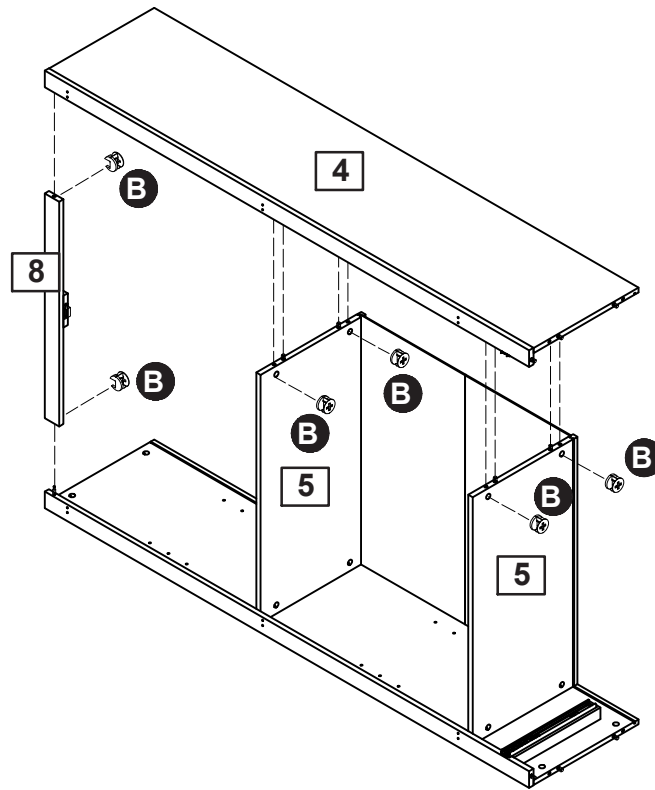
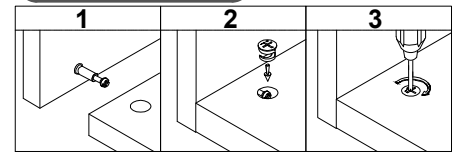


Step 18

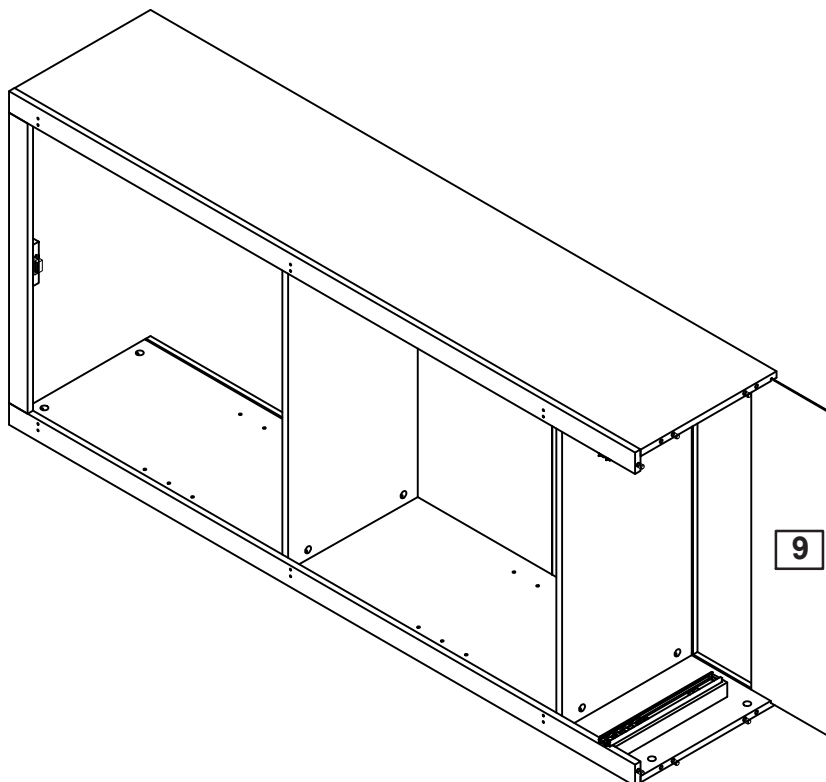


Assembly Instructions

Step 19

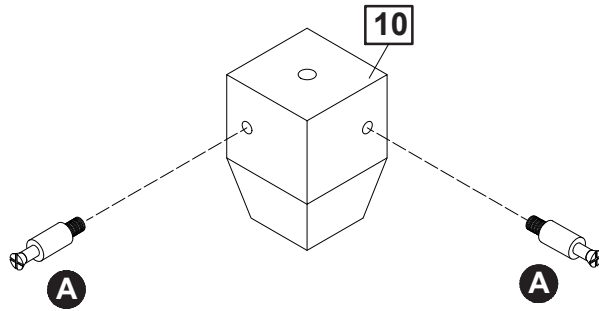
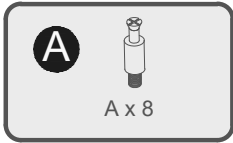


Step 20



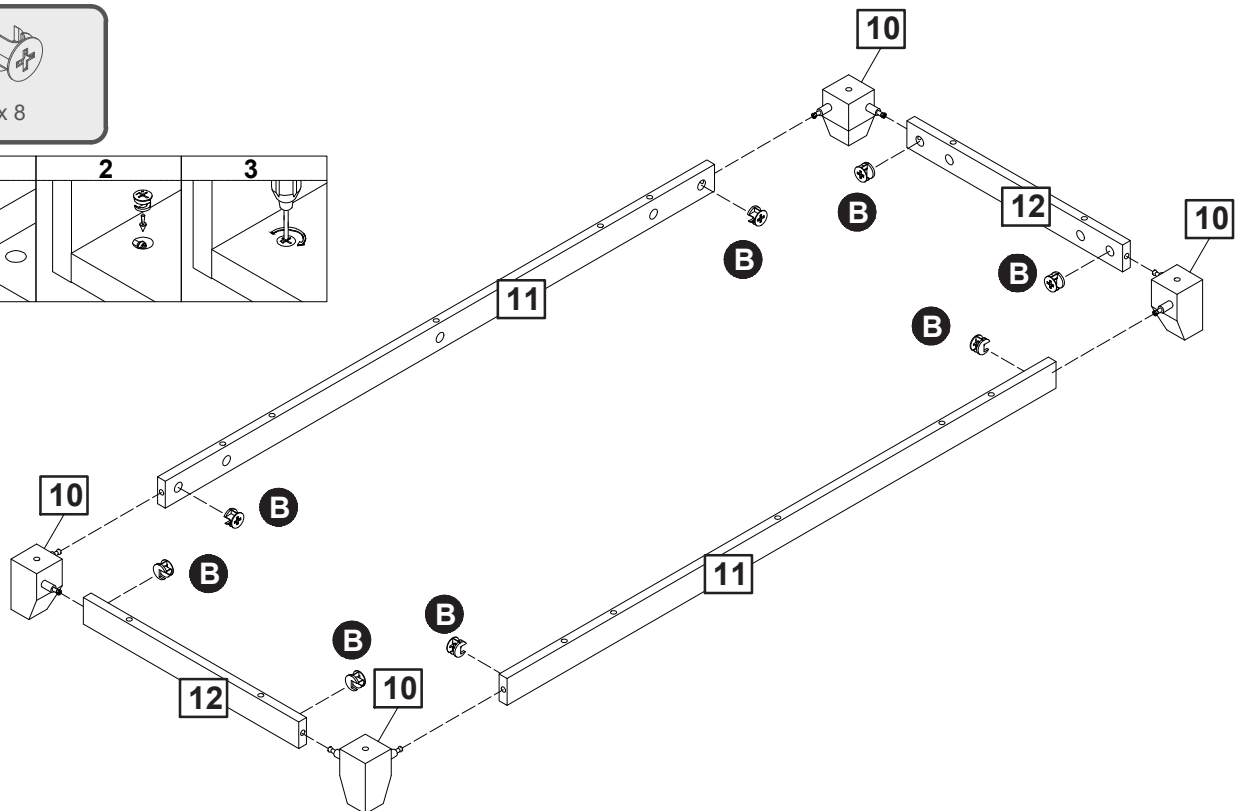
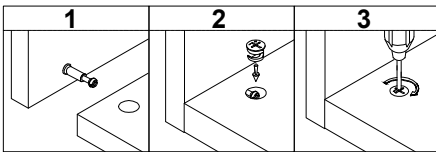
Assembly Instructions

Step 21



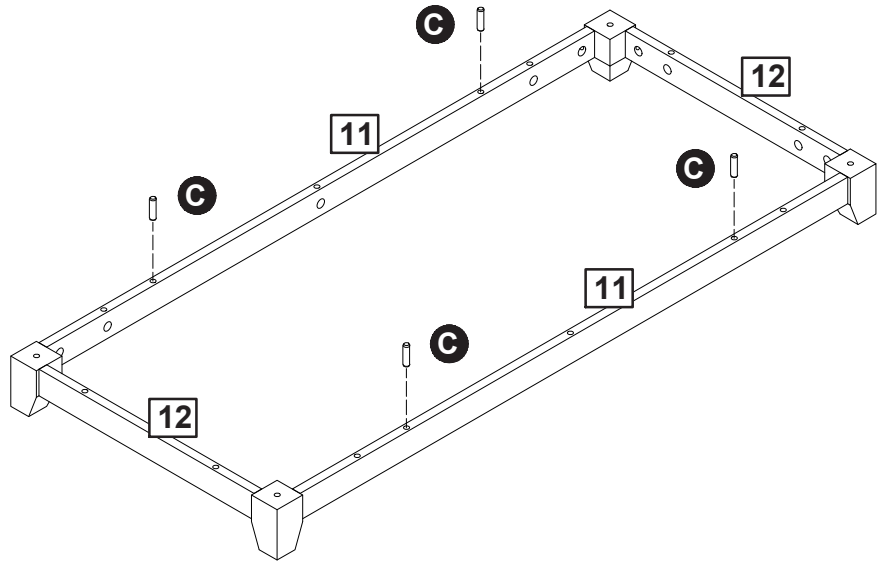
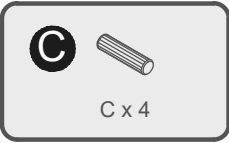
X4

Step 22

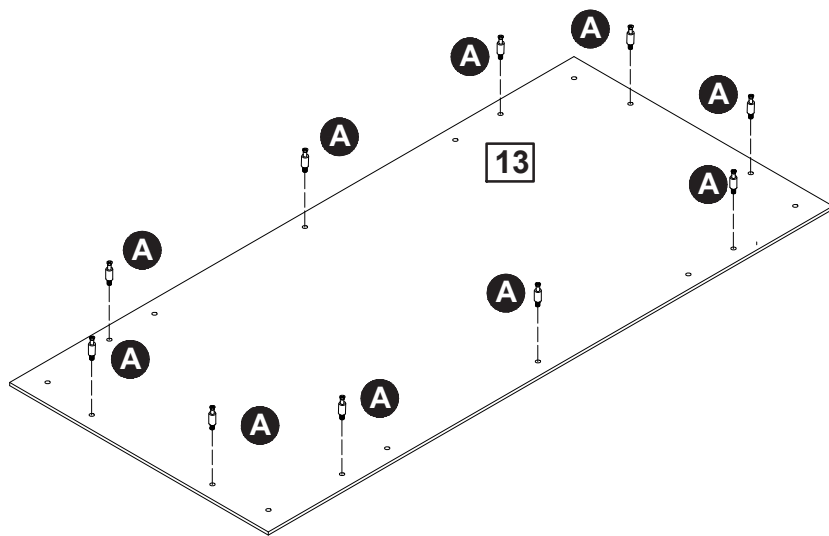
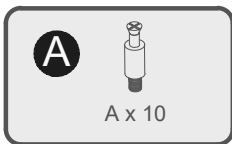


Assembly Instructions

Step 23

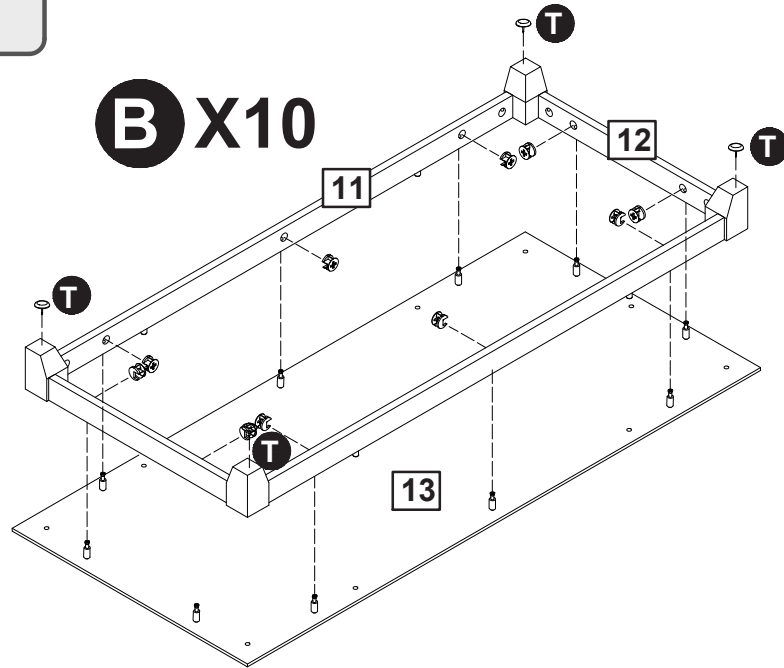
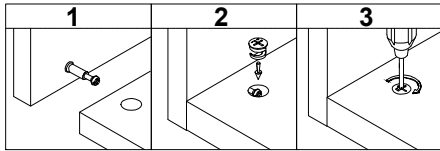
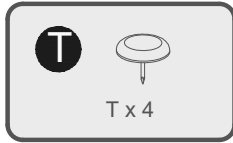
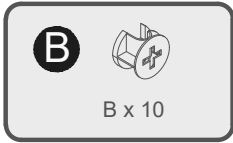


Step 24

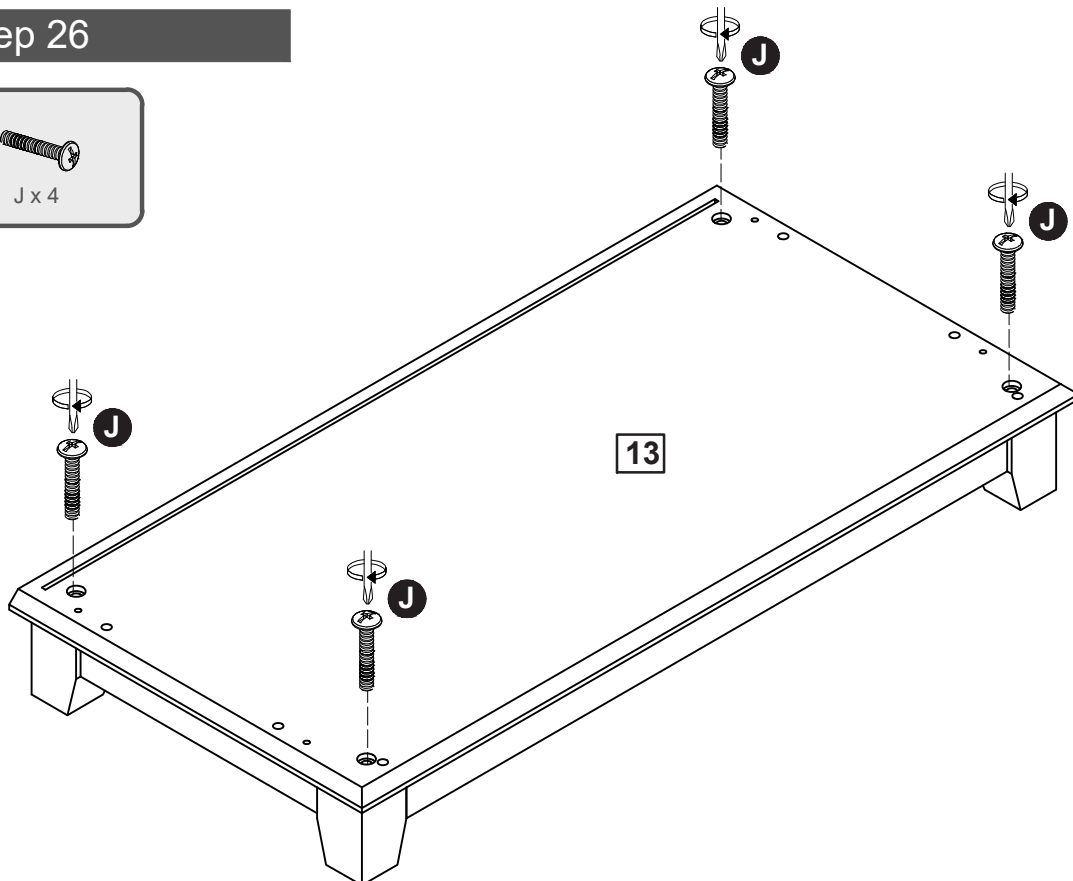


Assembly Instructions

Step 25

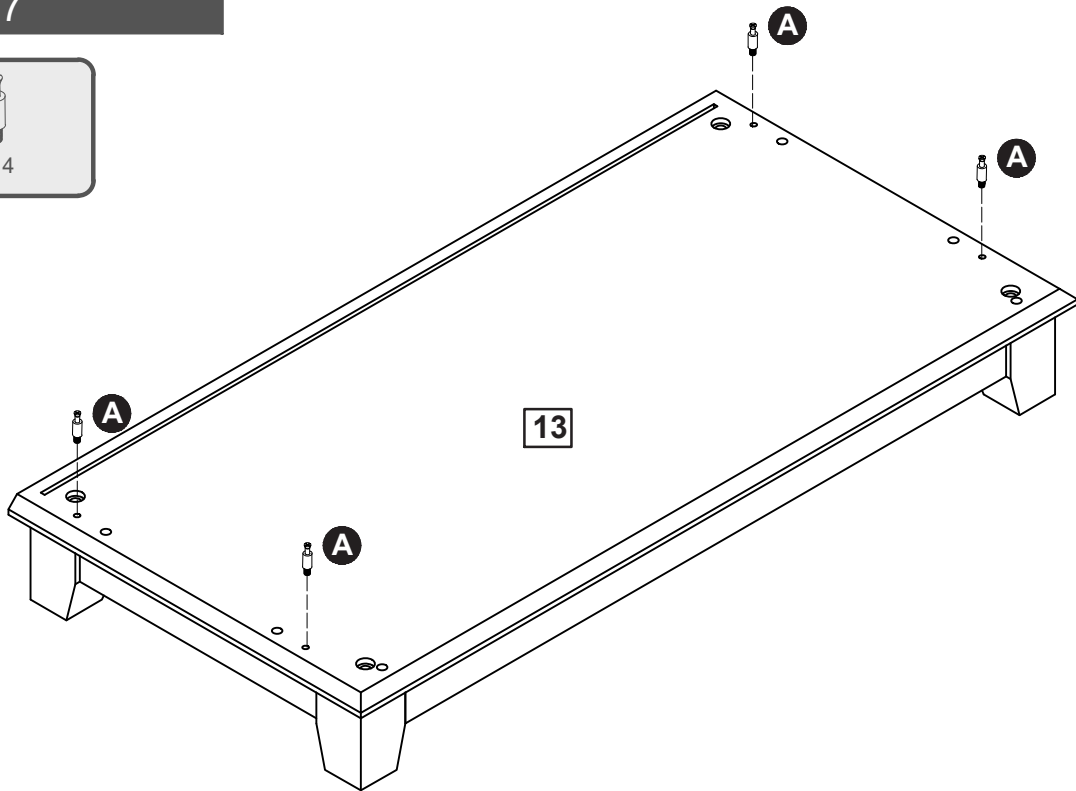
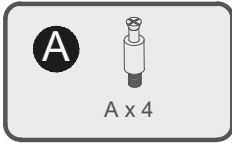


Step 26

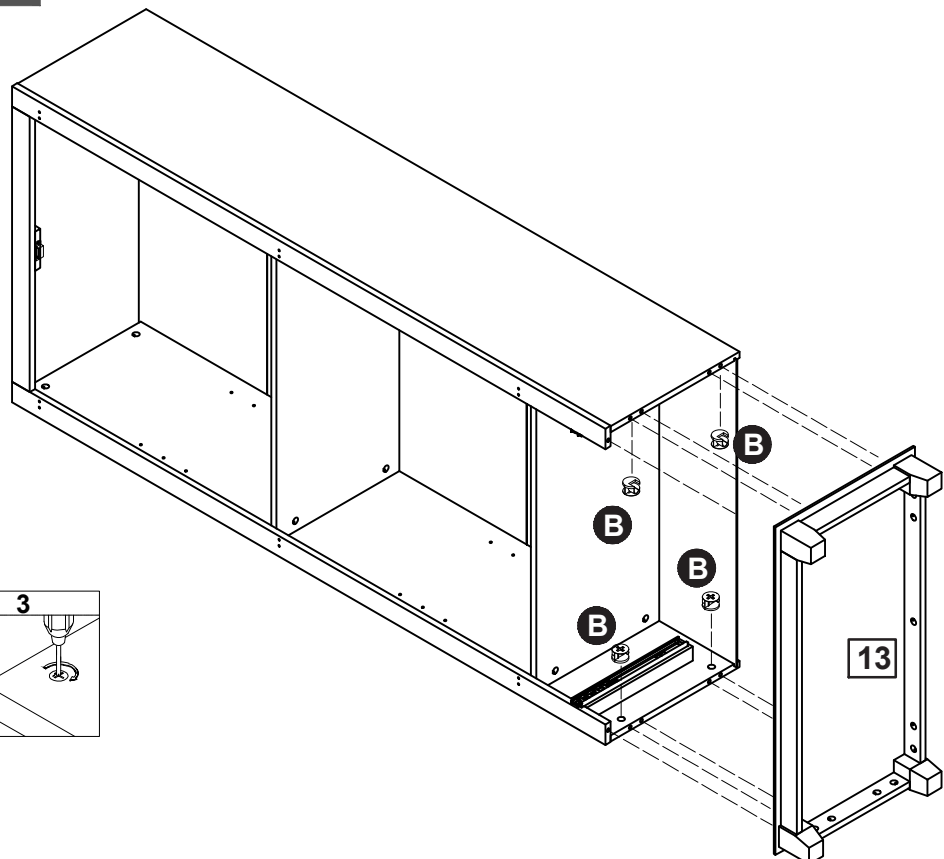
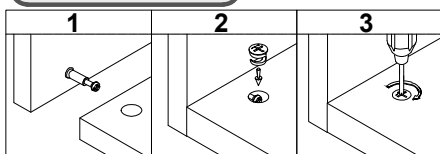
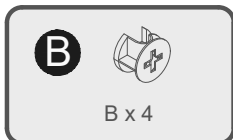


Assembly Instructions

Step 27

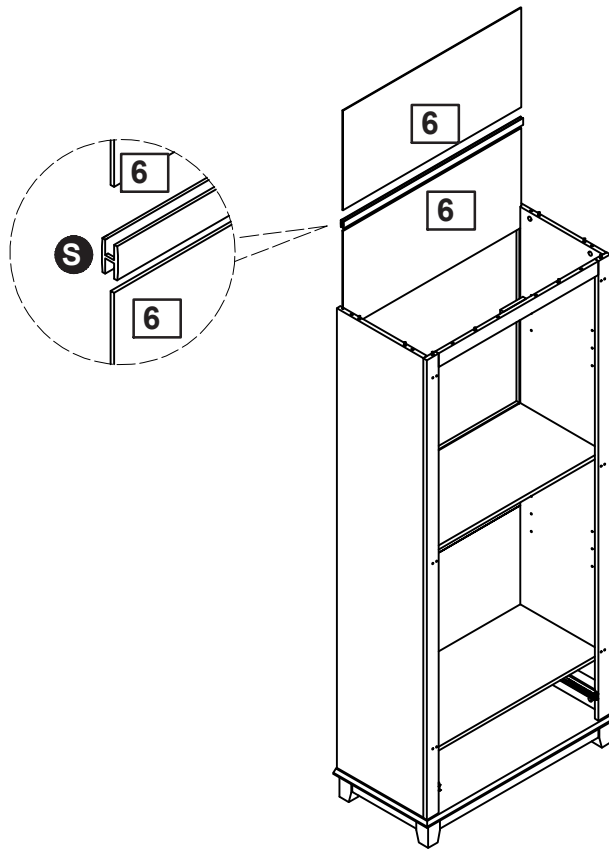
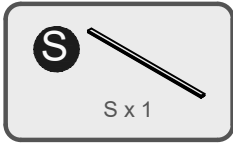


Step 28

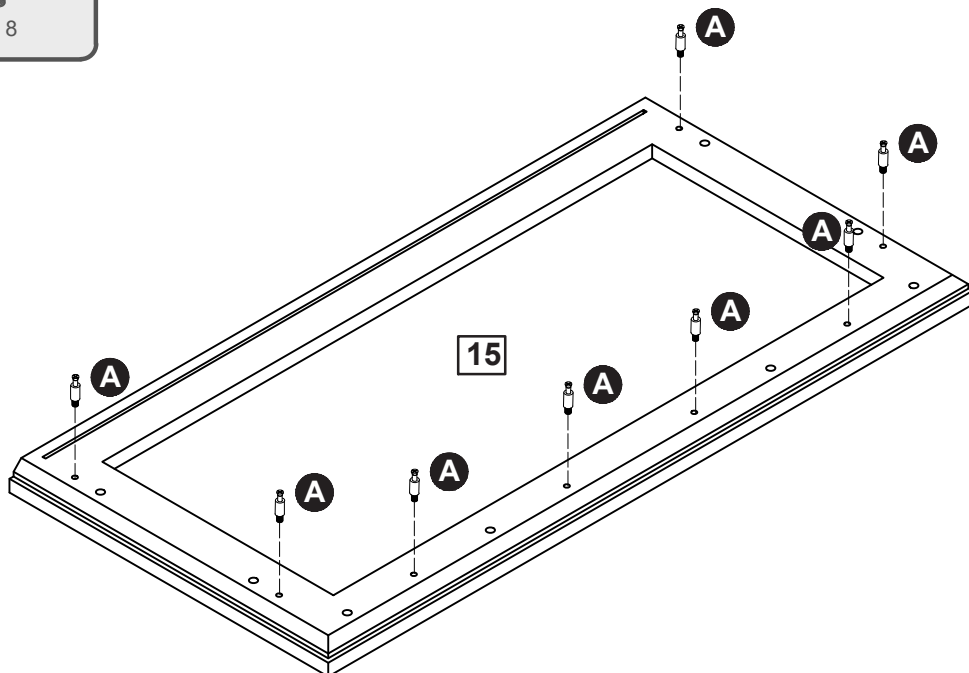
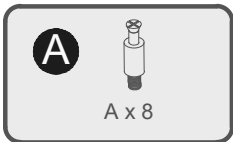


Assembly Instructions

Step 29



Step 30



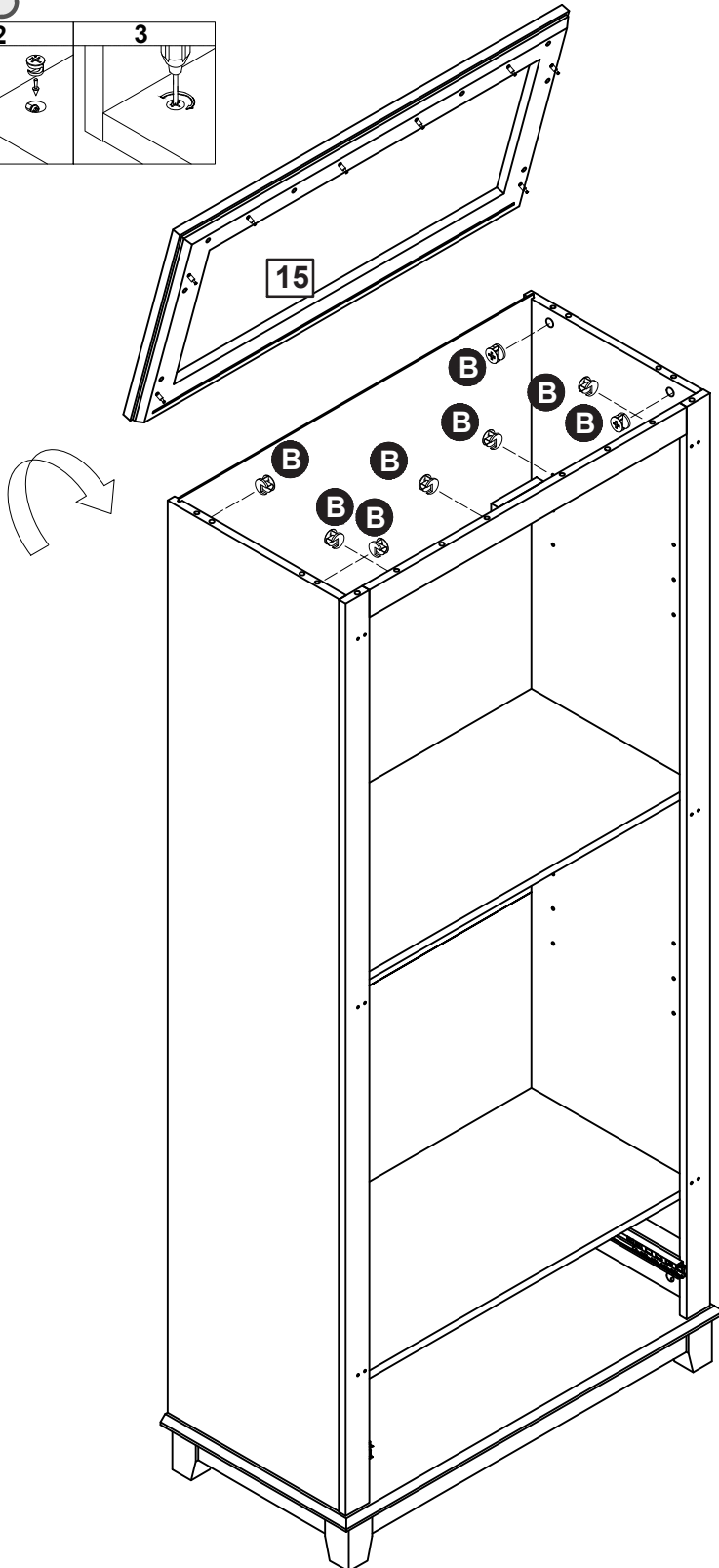
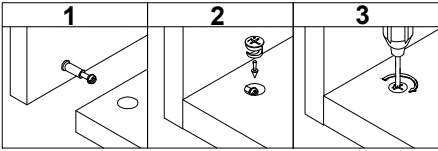
Assembly Instructions

Step 31

B



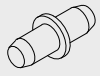
B x 8



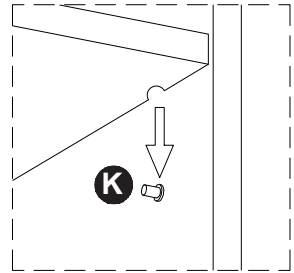
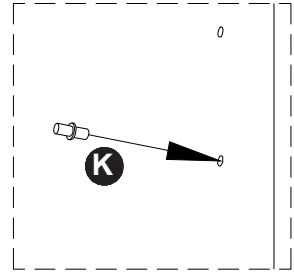
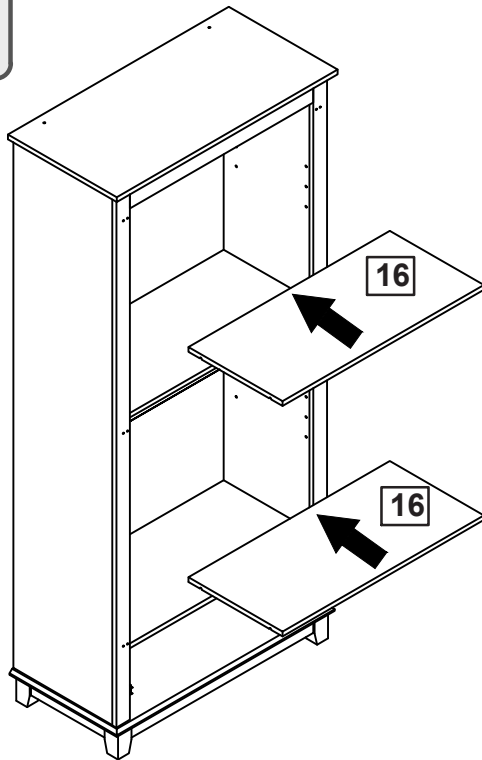
Assembly Instructions

Step 32

K



K x 8



Step 33

L



L x 2

O

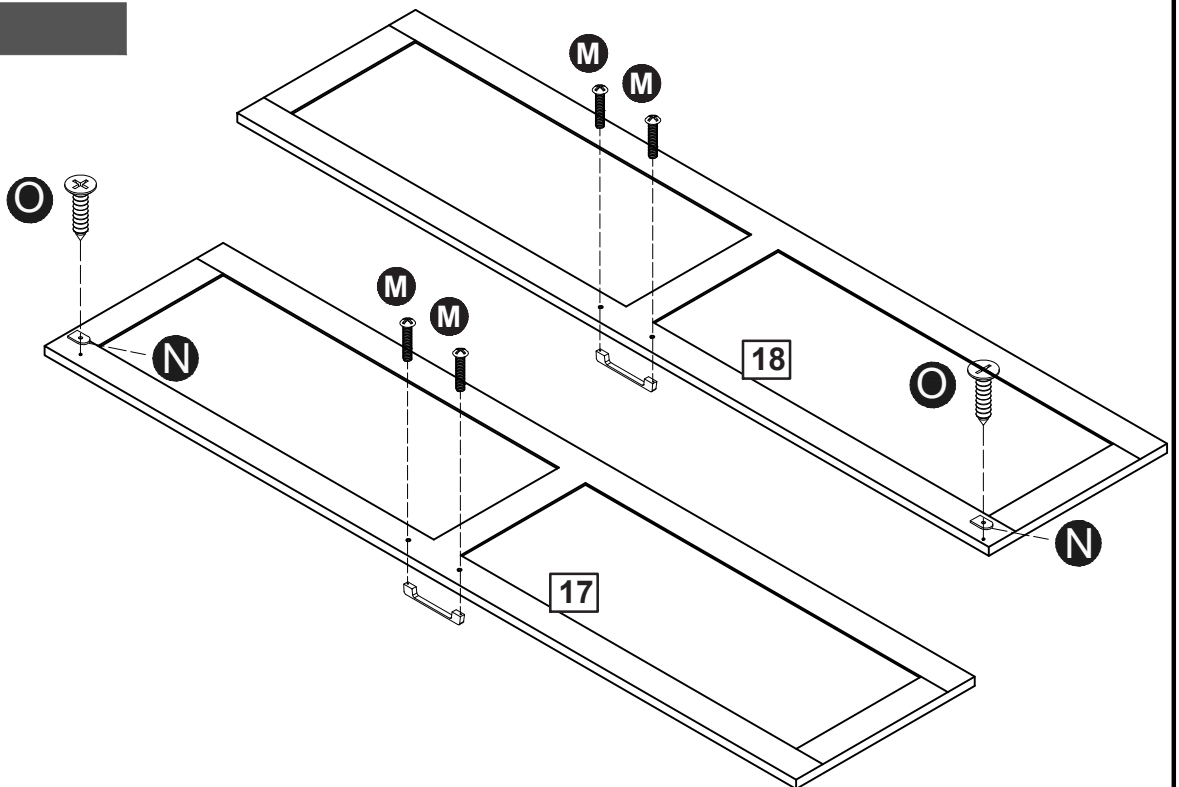


O x 2

N



N x 2



Assembly Instructions

Step 34

F

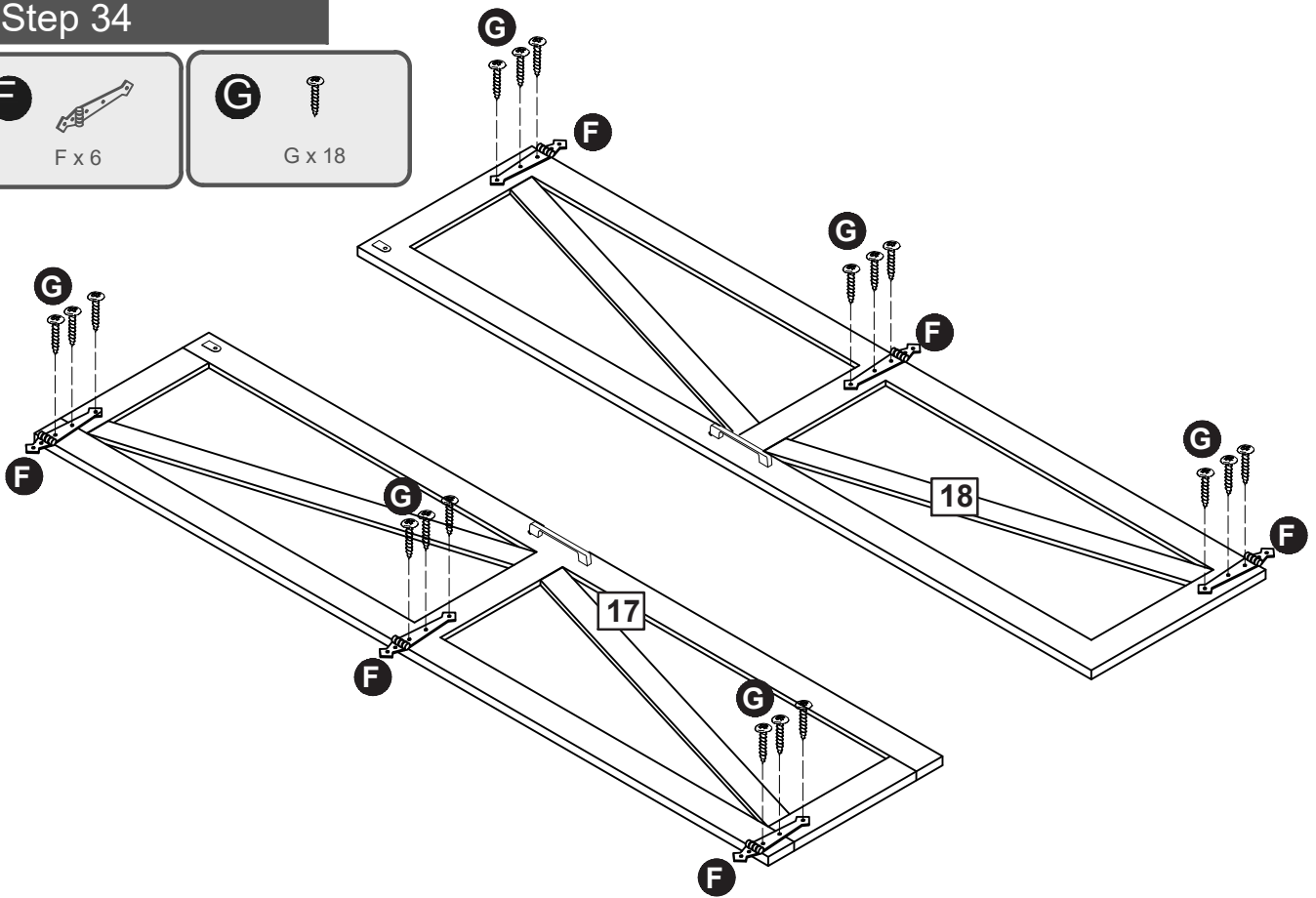


F x 6

G



G x 18

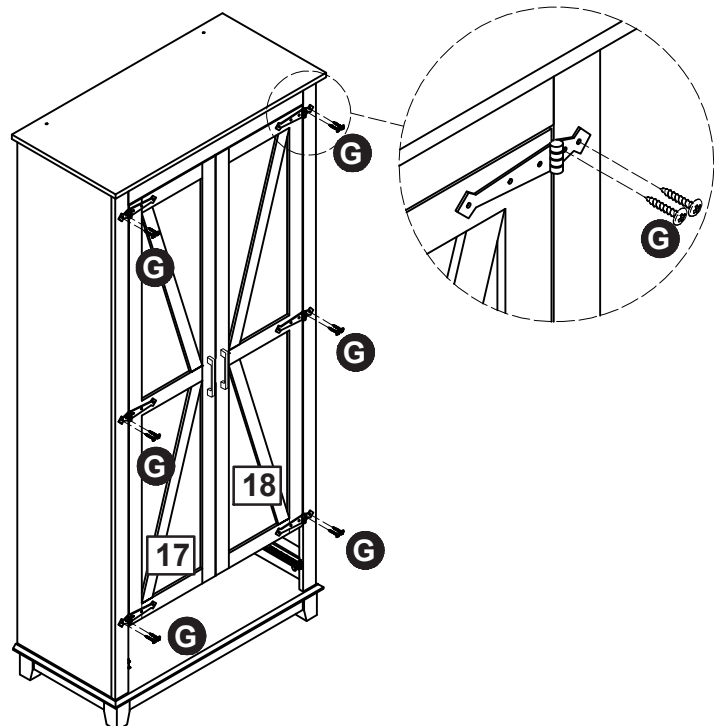


Step 35

G

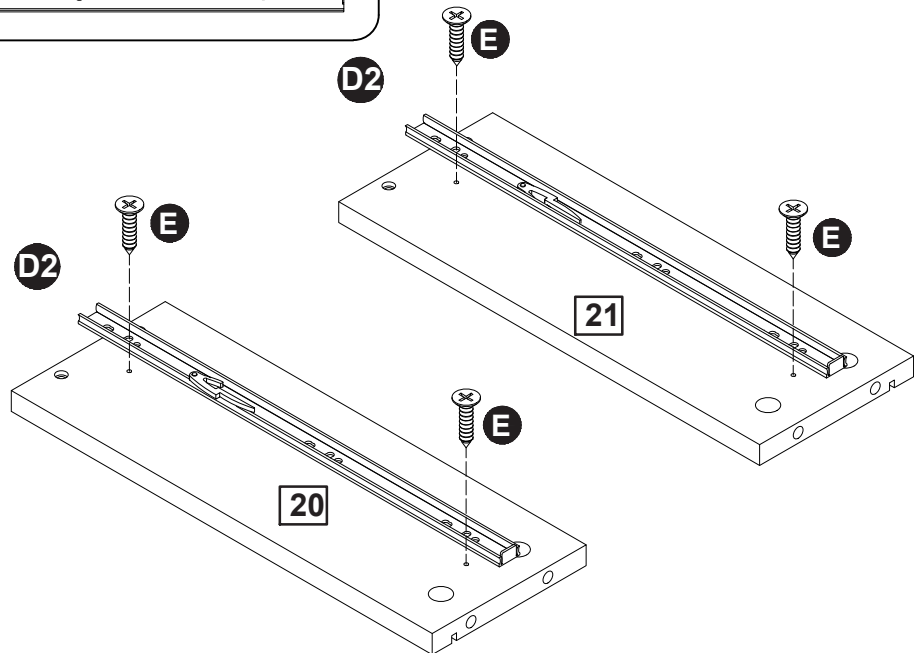
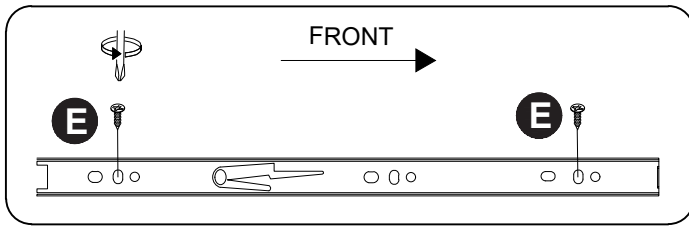


G x 12

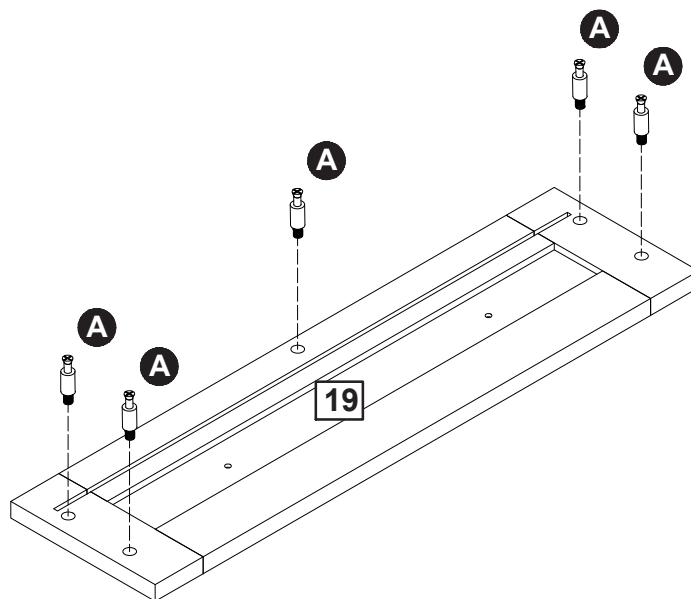
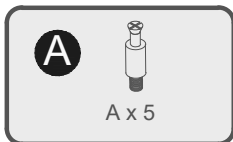


Assembly Instructions

Step 36

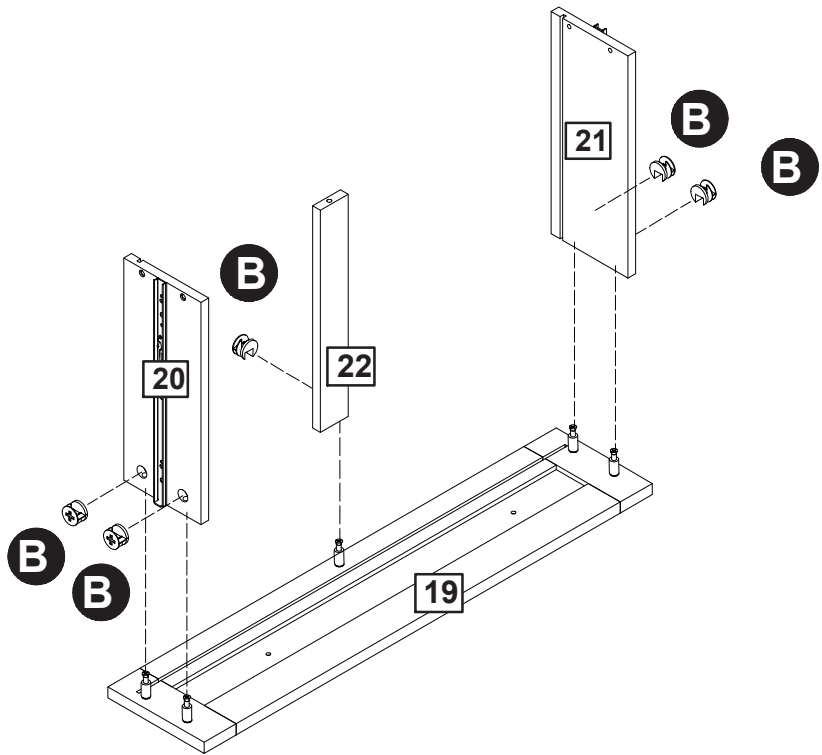
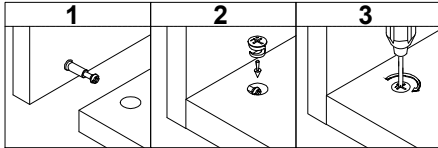
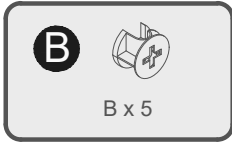


Step 37

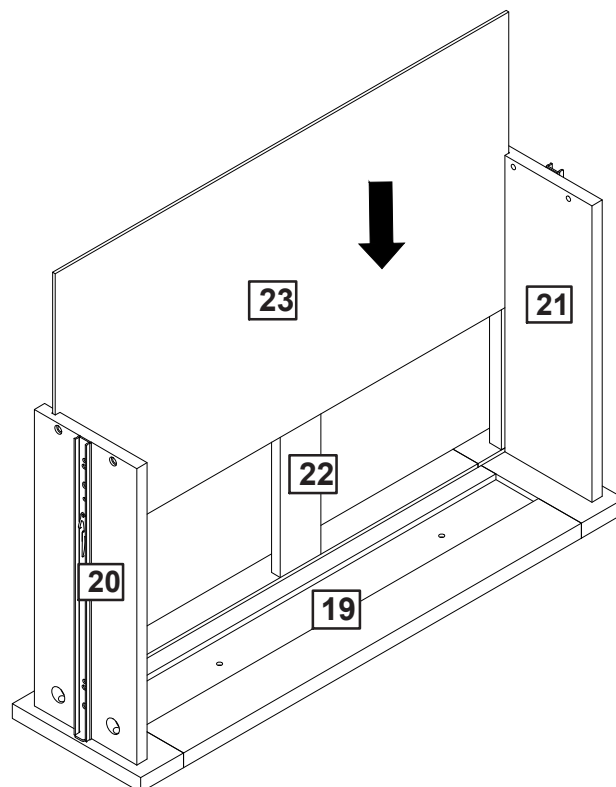


Assembly Instructions

Step 38

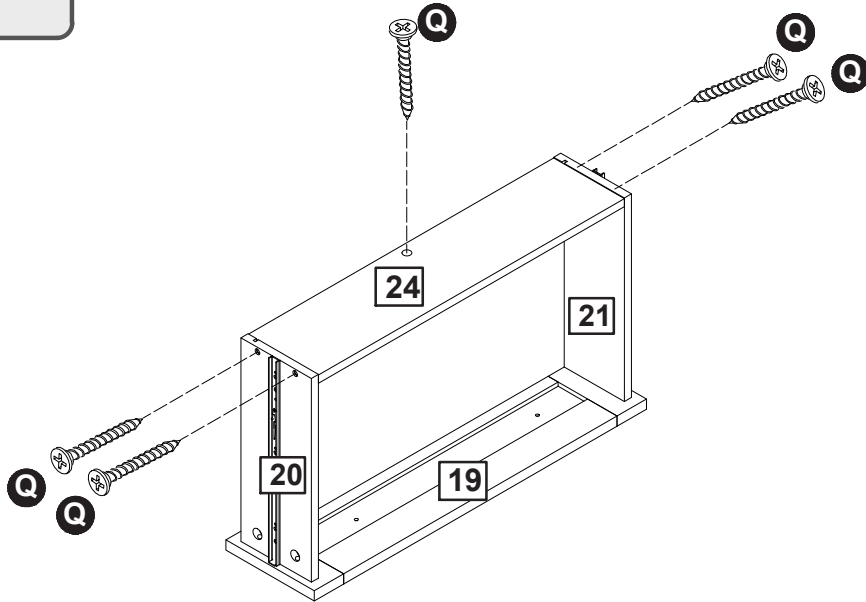
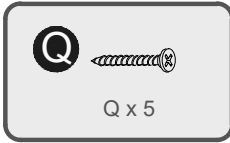


Step 39

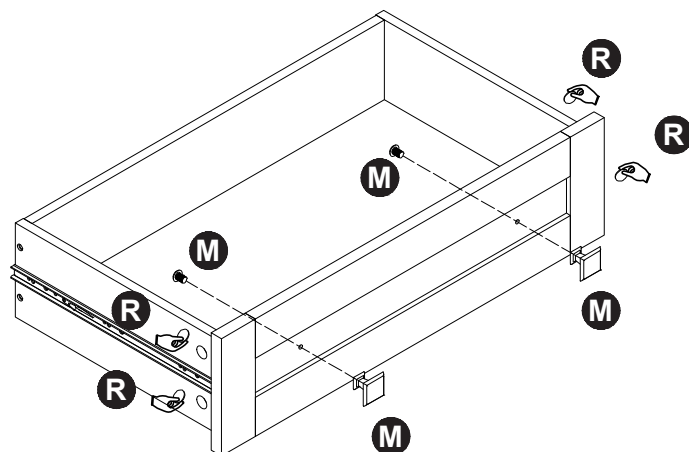
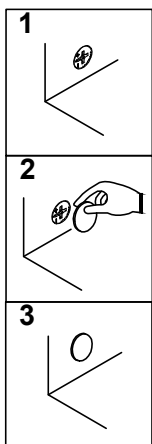


Assembly Instructions

Step 40

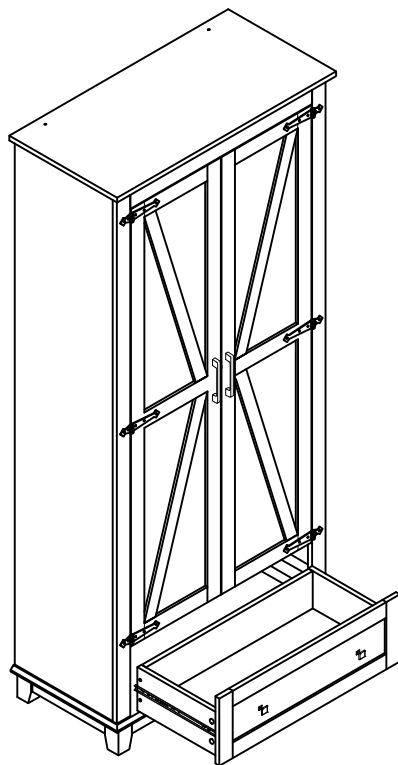


Step 41



Assembly Instructions

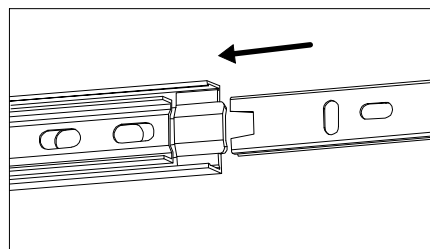
Step 42



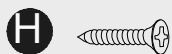
Attention:

1. Align the slide runners on the drawer with the unit and push it carefully inside until it stops.

★ If the drawer does not go in smoothly please take it out and repeat the step.



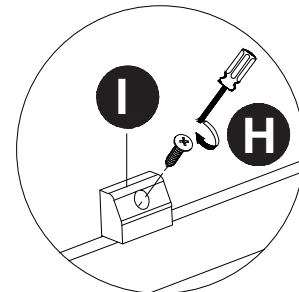
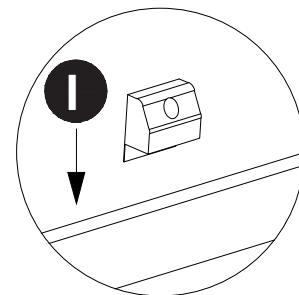
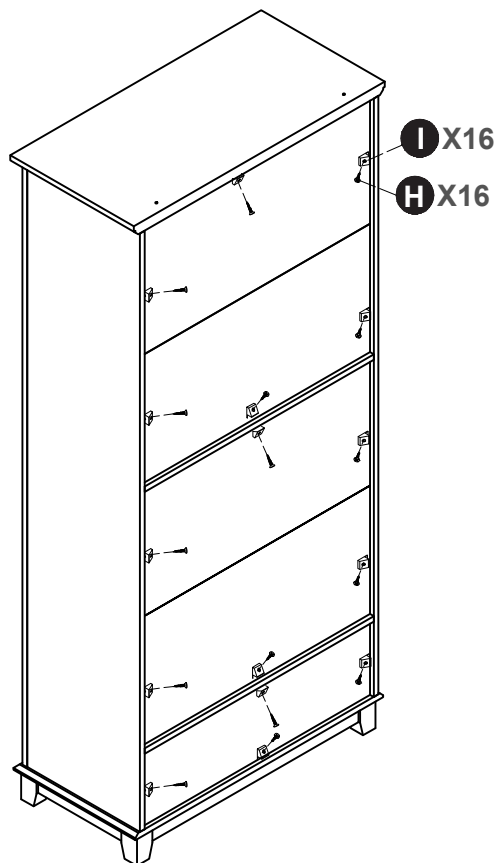
Step 43



H x 16

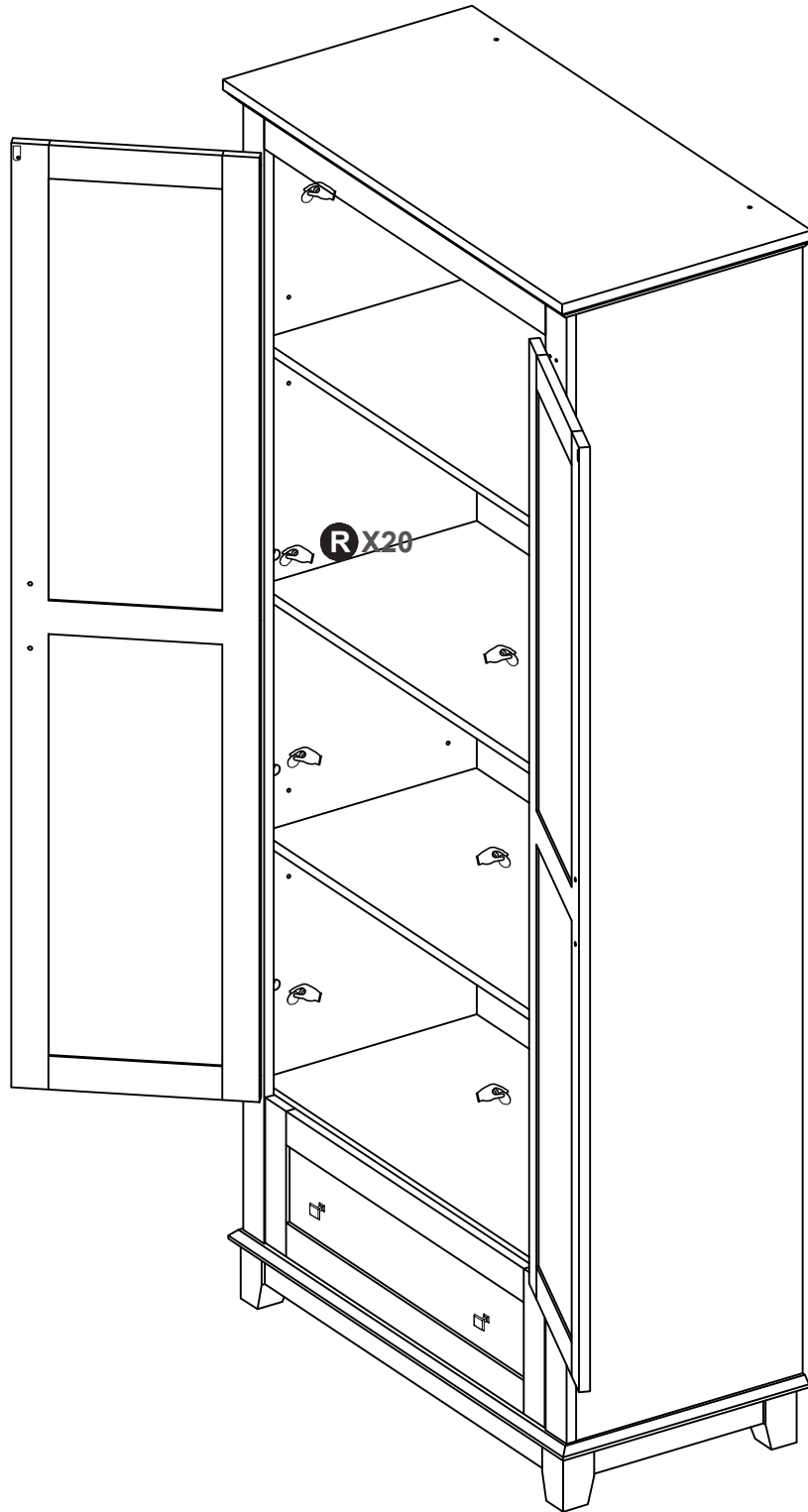
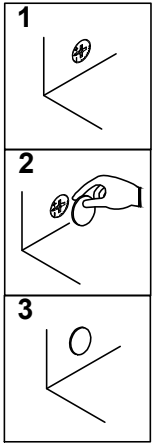


I x 16



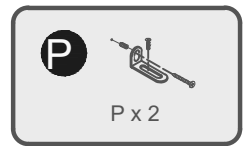
Assembly Instructions

Step 44



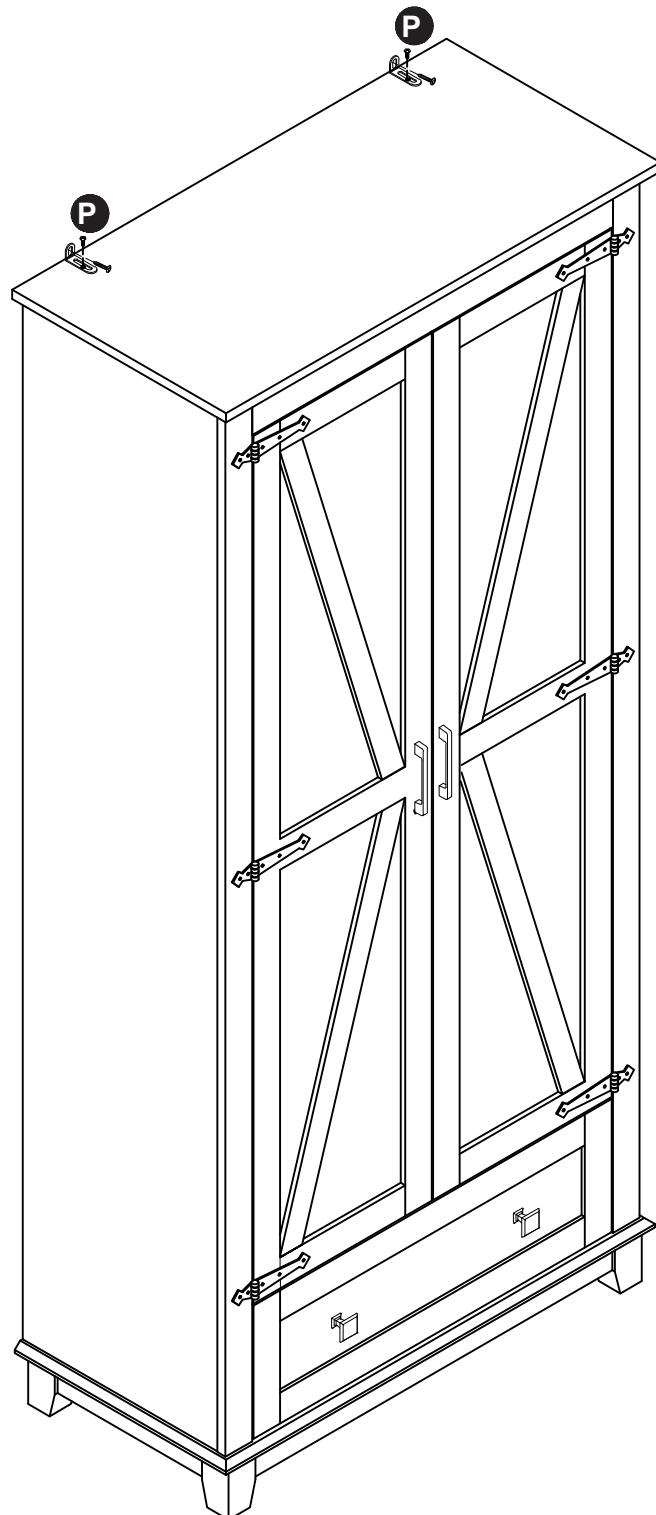
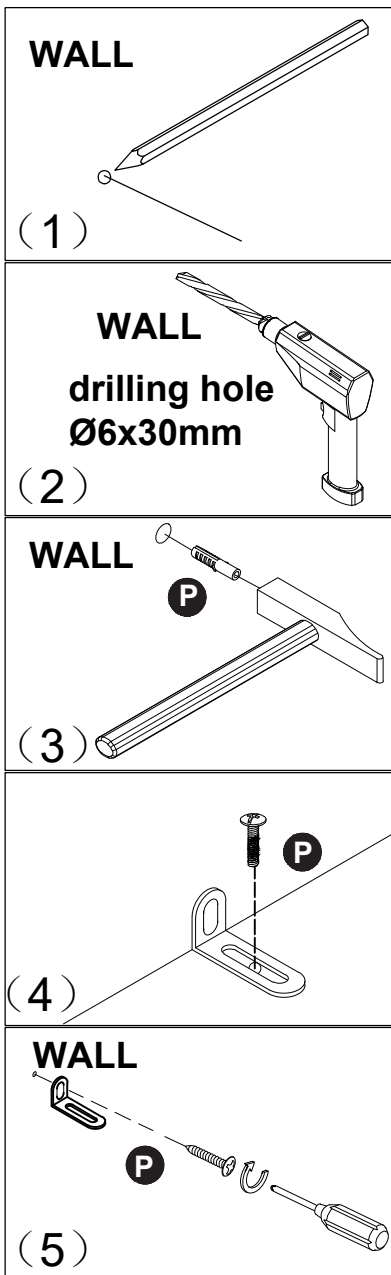
Assembly Instructions

Step 45



ATTENTION:

For safety and stability, we suggest you to secure the anti tip accessories to the wall to prevent tipping, injury, and property damage.



Assembly is complete.

A Guide to Wall Mounting & Fixings

Important note:

If plastic wall plugs (rawl plugs) are supplied with your product, e.g.:



- these are only suitable for use in masonry walls.

If you are in any doubt about the correct wall plugs for your wall, seek professional advice.


Failure of the product due to using the incorrect fixings is the responsibility of the installer.



Important: when drilling into walls always check that there are no hidden wires or pipes etc.

Make sure that the screws and wall plugs being used are suitable for **supporting your unit**. **Consult a qualified tradesperson if you are unsure.**

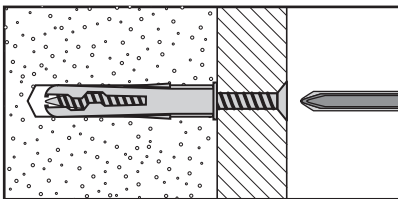
Hints:

- 1: General rule:  always use a larger screw and wall plug if you are not sure.
- 2: Ensure you use the recommended drill bit to match the wall plug and hole size.
- 3: Ensure you drill the hole horizontally; do not force the drill or enlarge the hole.
- 4: Take extra care when drilling high walls, ceilings and ceramic tiles. Ensure wall plugs are inserted beyond the thickness of the ceramic tiles to avoid the tiles splitting or cracking.
- 5: Ensure wall plugs are well fitted and are a tight fit in the drilled hole.

Types of walls

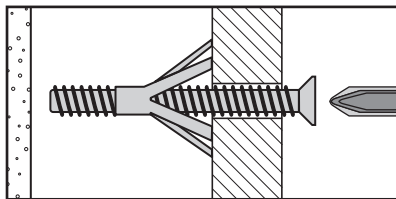
You can use one of the following types of wall plug if your walls are made of brick, breeze block, concrete, stone or wood.

No.1 "General Purpose" wall plug



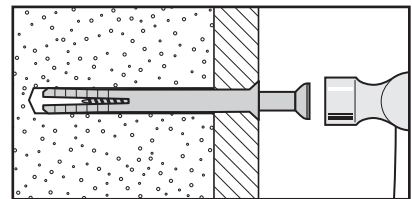
Generally aerated blocks should not be used to support heavy loads, use a specialist fitting in this case. For light loads, general purpose wall plugs can be used.

No.3 "Cavity Fixing" wall plug



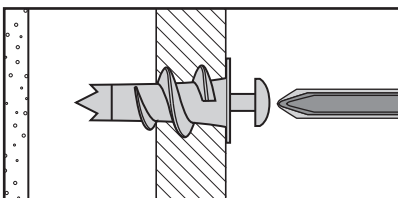
For use with plasterboard partitions or hollow wooden doors.

No.5 "Hammer Fixing" wall plug



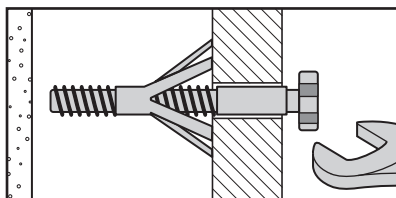
For use with walls stuck with plasterboard. The hammer fixing allows it to be fixed to the wall rather than the plasterboard. Always check the fixing is secure to the retaining wall.

No.2 "Plasterboard" wall plug



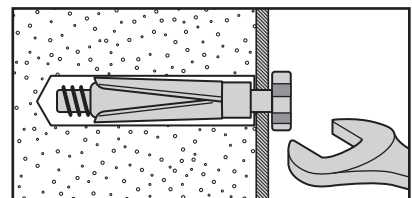
For use when attaching light loads onto plasterboard partitions.

No.4 "Cavity Fixing - Heavy Duty" wall plug



For use when fitting or supporting heavy loads such as shelving, wall cabinets and coat racks.

No.6 "Shield Anchor" wall plug - heavy loads



For use with heavier loads such as TV and HiFi speakers and satellite dishes etc.



Care & Maintenance

Safety: always check the fitting and location to ensure your safety in and around the home.

Fitting: from time to time check the fitting to ensure the wall plugs or screws do not become loose.