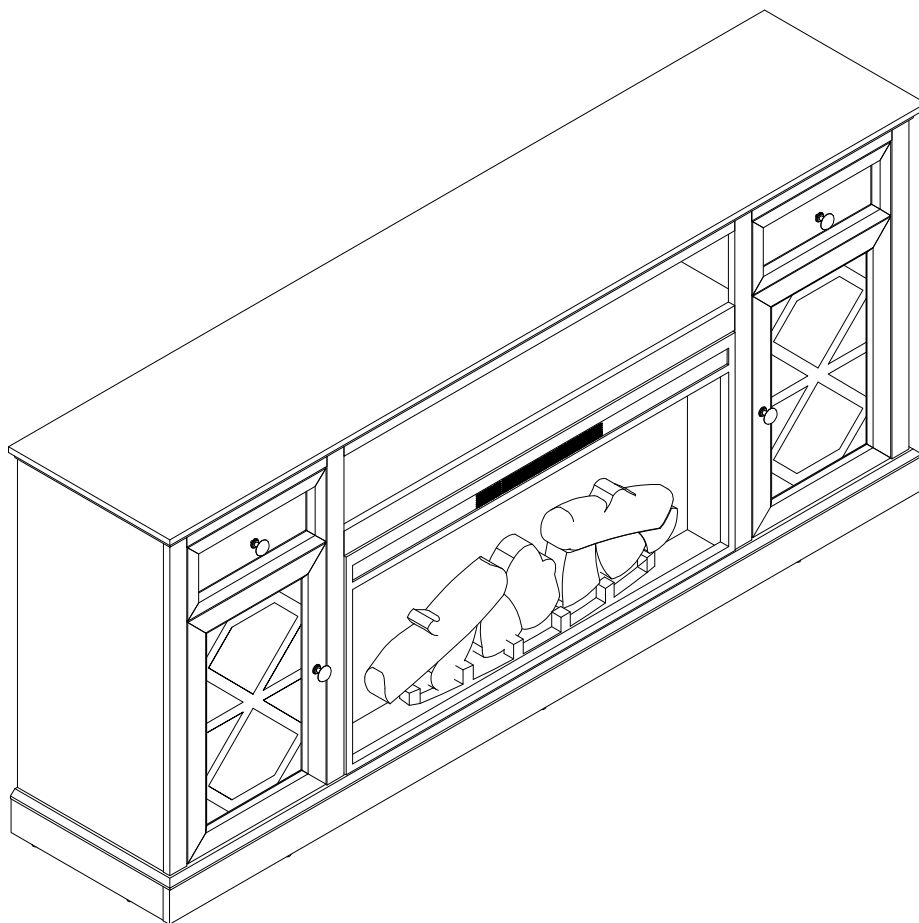


TV Stand

Assembly Instructions - Please keep for future reference



Dimensions

Width - 70inch
Depth - 14.9inch
Height - 31.2inch

Any question please feel free to contact us:
support@amer-life.com TEL:(901) 347-2181
We will provide further assistance within 24 hours.

Important – Please read these instructions fully before starting assembly



Safety and Care Advice

Important – Please read these instructions fully before starting assembly

- Check you have all the components and tools listed on the following pages.
- Remove all fittings from the plastic bags and separate them into their groups.
- Keep children and animals away from the work area, small parts could choke if swallowed.
- Make sure you have enough space to layout the parts before starting.

- During assembly do not stand or put weight on the product, this could cause damage.
- Assemble the item as close to its final position (in the same room) as possible.
- Assemble on a soft level surface to avoid damaging the unit or your floor.
- Parts of the assembly will be easier with 2 people.



- To reduce the likelihood of damaging your product please ensure that your power drill is set on a low torque setting.

Care and maintenance

- Only clean using a damp cloth and mild detergent, do not use bleach or abrasive cleaners.
- From time to time check that there are no loose screws on this unit.
- This product should not be discarded with household waste. Take to your local authority waste disposal centre.

Handy Hints

- Assemble all parts and bolts loosely during assembly, only once the product is complete should you fully tighten the bolts
- Regularly check and ensure that all bolts and fittings are tightened properly.

WARNING In order to help prevent overturning – please follow these instructions

To help prevent product toppling over please follow the below steps:-

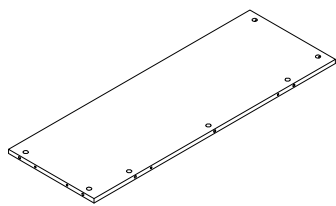
Use the anti tip strap or wall fixing method provided (if applicable)
Do not allow children to climb or hang on the furniture
Do not open more than one drawer at a time
Do not place heavy items in the top drawers
Do not place heavy items on top of the furniture, unless the furniture has been designed for this purpose

please note that only the anti tip strap is provided.

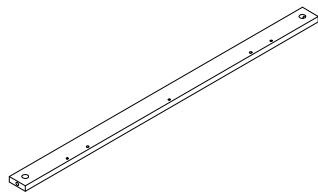
You will need to provide wall plugs and screws applicable for your wall type

Components - Panels

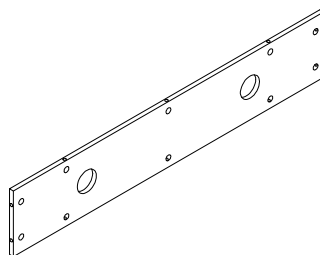
Please check you have all the panels listed below



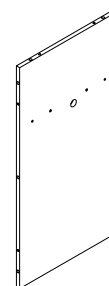
1 (974X345X15mm)X1



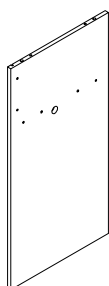
2 (920X50X15mm)X1



3 (974X178X12mm)X1



4 (675X345X12mm)X1



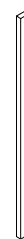
5 (675X345X12mm)X1



6 (675X40X15mm)X1



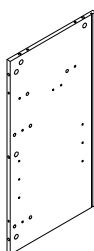
7 (675X40X15mm)X1



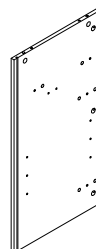
8 (675X40X15mm)X1



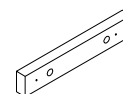
9 (675X40X15mm)X1



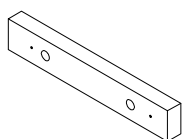
10 (675X345X12mm)X1



11 (675X345X12mm)X1



12 (300X50X25mm)X1



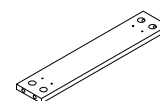
13 (300X50X25mm)X1



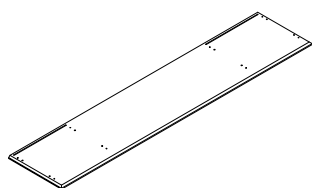
14 (100X60X25mm)X2



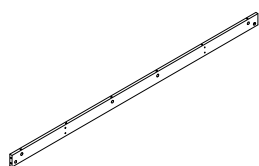
15 (100X60X25mm)X2



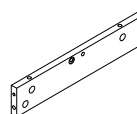
16 (358X70X12mm)X2



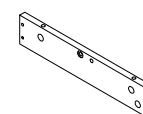
17 (1770X375X15mm)X1



18 (1737X70X15mm)X1



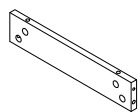
19 (359X70X15mm)X1



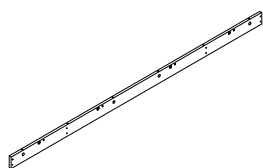
20 (359X70X15mm)X1

Components - Panels

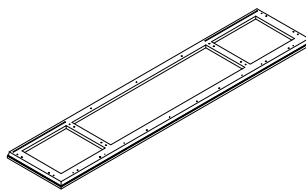
Please check you have all the panels listed below



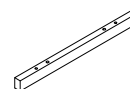
21 (343X70X15mm)X2



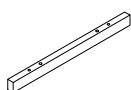
22 (1769X70X15mm)X1



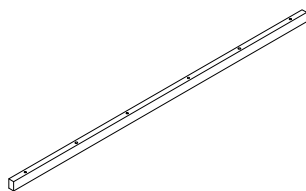
23 (1780X380X30mm)X1



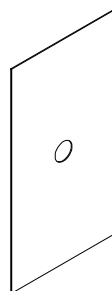
24 (330X25X15mm)X1



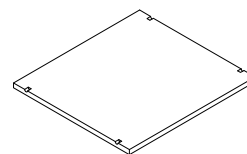
25 (330X25X15mm)X1



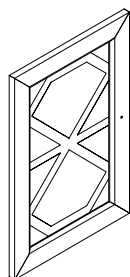
26 (920X25X15mm)X1



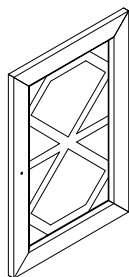
27 (685X367X2.7mm)X2



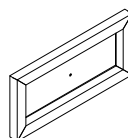
28 (356X327X12mm)X2



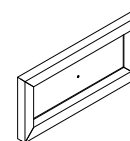
29 (492X325X15mm)X1



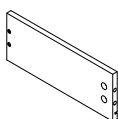
30 (492X325X15mm)X1



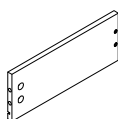
31 (325X150X20mm)X1



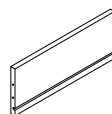
32 (325X150X20mm)X1



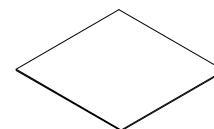
33 (300X115X12mm)X2



34 (300X115X12mm)X2



35 (281X115X12mm)X2




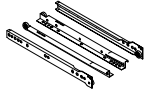
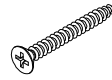


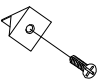
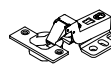

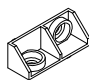
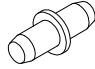







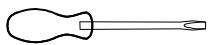
36 (291X297X2.7mm)X2

Components - Fittings

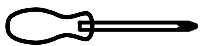
Please check you have all the hardware listed below

Note: The quantities below are the correct amount to complete the assembly. In some cases more fittings may be supplied than are required.

<p>A </p> <p>Male Camlock x 79</p>	<p>B </p> <p>Female Camlock x 79</p>	<p>C </p> <p>Dowel x 56</p>
<p>D </p> <p>Drawer slider 12"x 2</p>	<p>E </p> <p>5*45mm Screw x 8</p>	<p>F </p> <p>3*12mm Screw x 24</p>
<p>G </p> <p>4*30mm Screw x 16</p>	<p>H </p> <p>Back Panel Stiffener x 8</p>	<p>I </p> <p>Door Hinge x 4</p>
<p>J </p> <p>3.5*14mm Screw x 24</p>	<p>K </p> <p>x 6</p>	<p>L </p> <p>Shelf Support Pin x 8</p>
<p>M </p> <p>6*20mm Screw x 12</p>	<p>N </p> <p>6*12mm Screw x 12</p>	<p>O </p> <p>Handle & Fixings x 4</p>
<p>P </p> <p>Wall Fixing Pack x 2</p>	<p>Q </p> <p>Protective Feet x 14</p>	



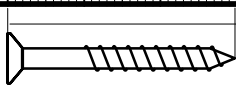
Tools required



Phillips screwdriver
(medium & large)

Ruler - Use this ruler to help correctly identify the screws

0 5 10 15 20 25 30 35 40 45 50 55 60 65 70 75 80 85 90 95 100 105 110 115 120 125 130 135 140 145 150 155 160 165 170

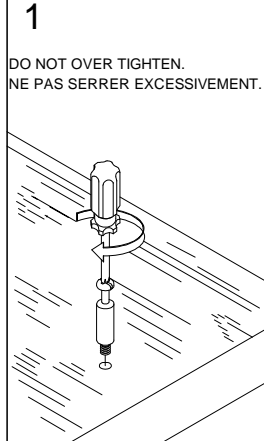


The screws length is measured from the head to the point (30mm screw shown).

Using Camlocks

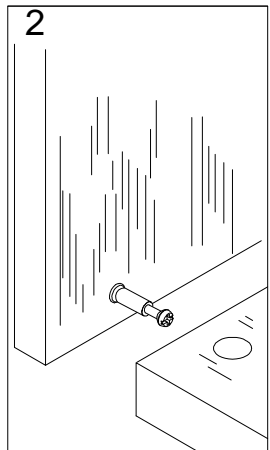
Step 1

Connect the male camlock as directed in the assembly instructions using a screwdriver.



Step 2

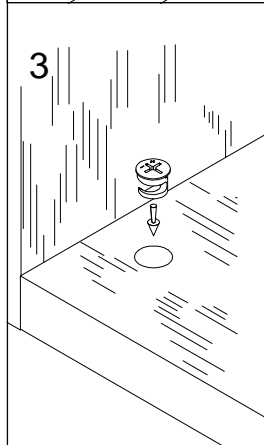
Push the male camlock into the entry hole.



Step 3

Insert the female camlock as shown in the instruction.

Note: ensure that the arrow on the top of the camlock points towards the entry hole for the male camlock.

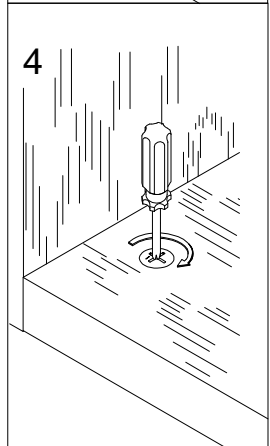


Step 4

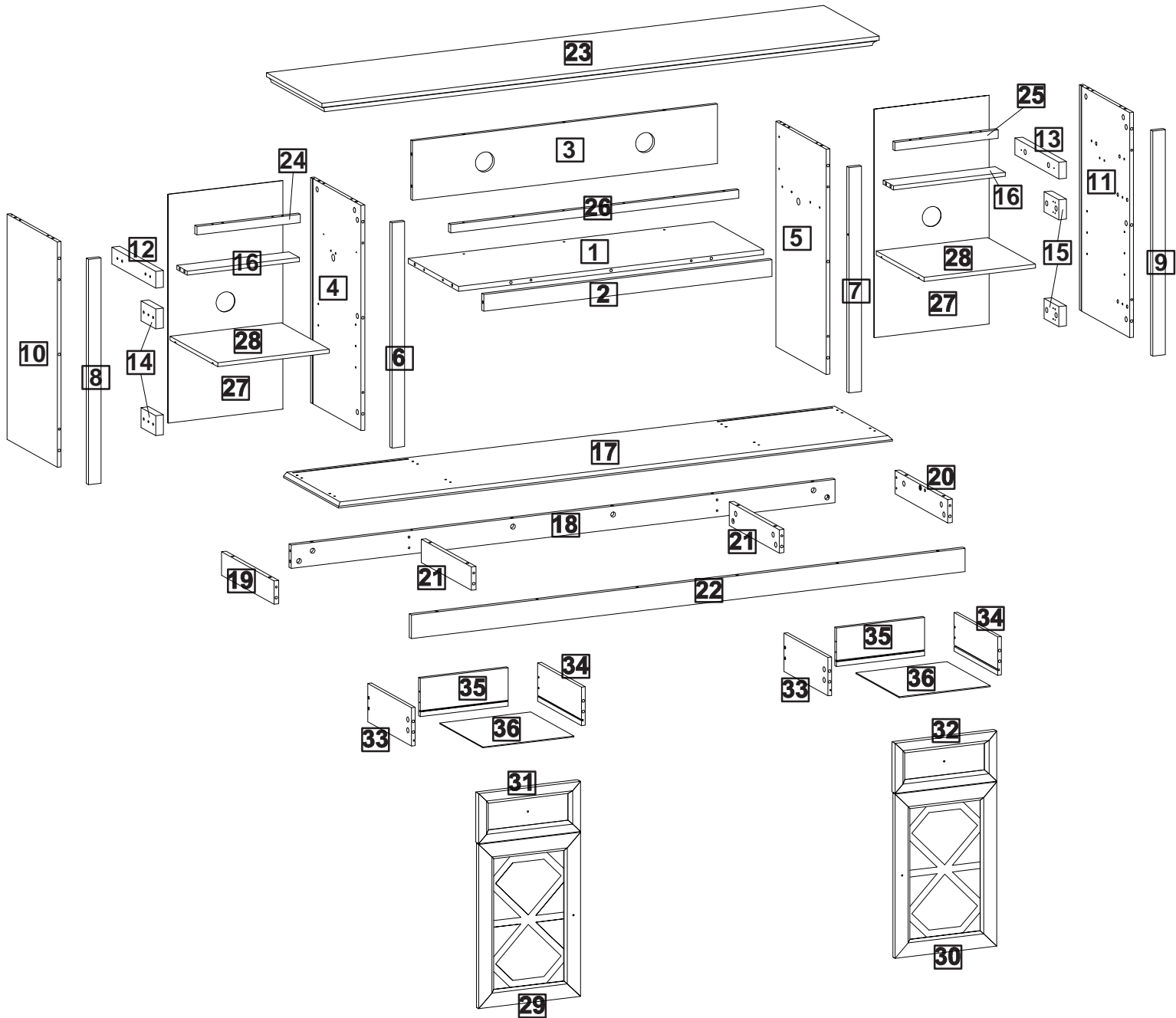
Turn the female camlock clockwise with a screwdriver.

You should feel a click when the camlock is locked in place.

The joint is now secure.

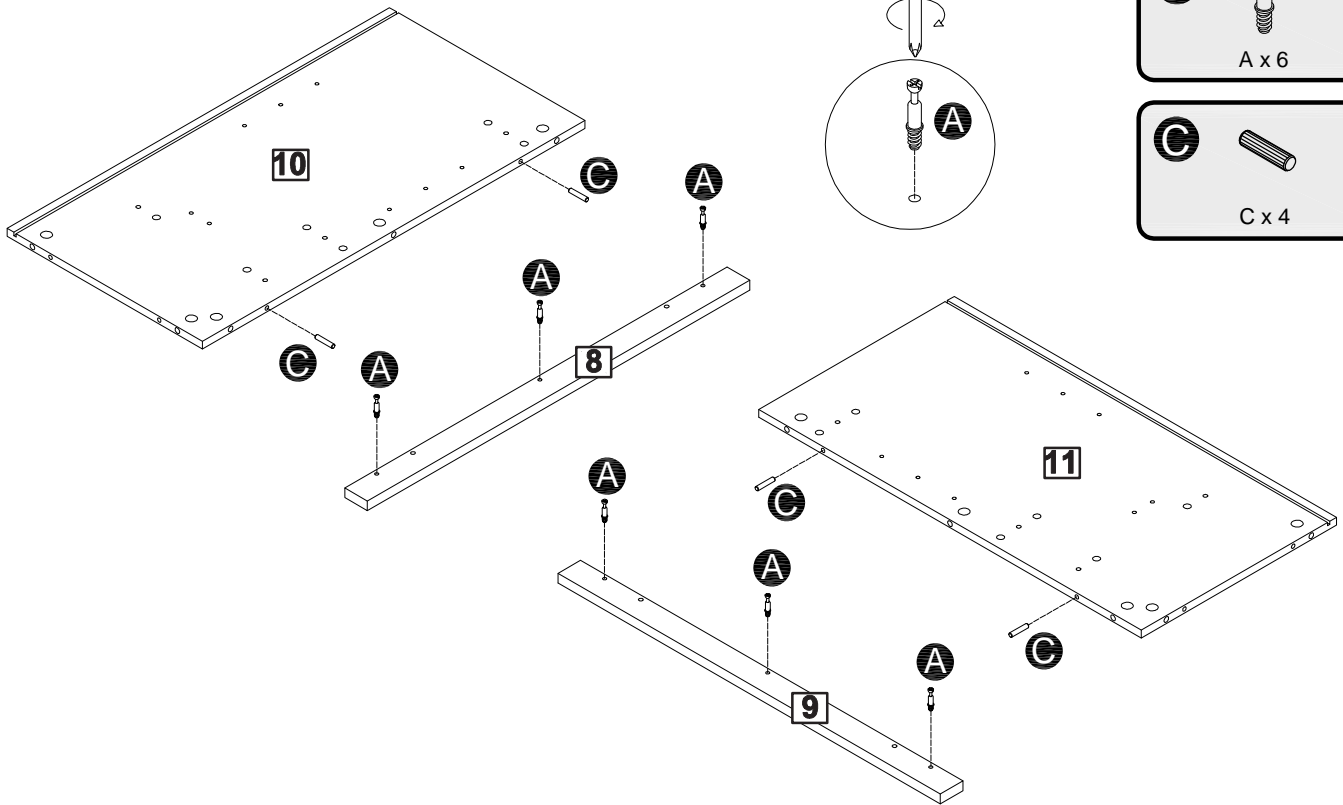


Assembly Instructions

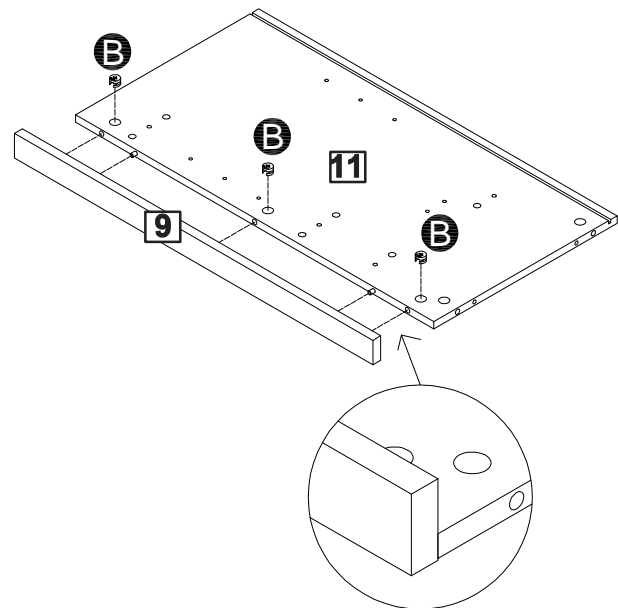
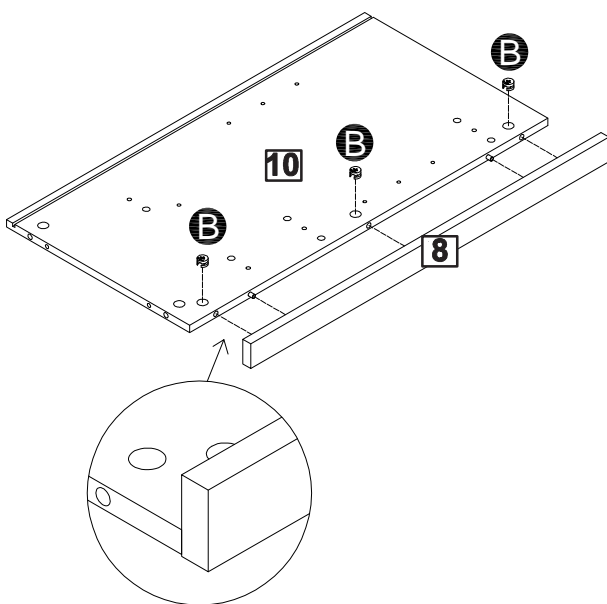
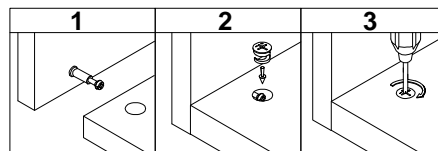


Assembly Instructions

Step 1

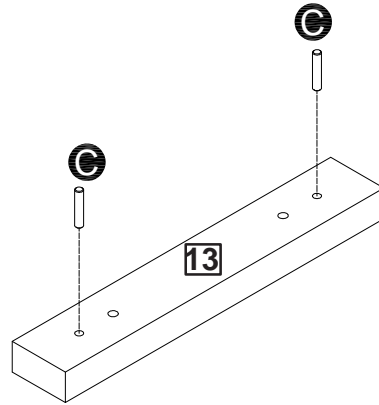
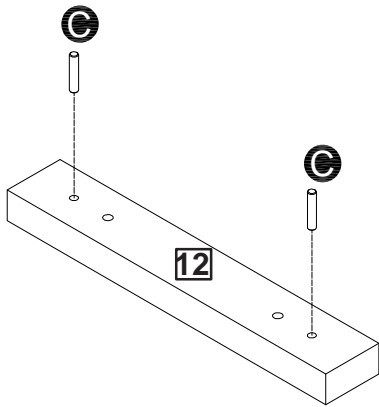
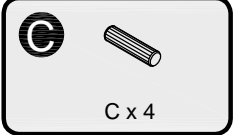


Step 2

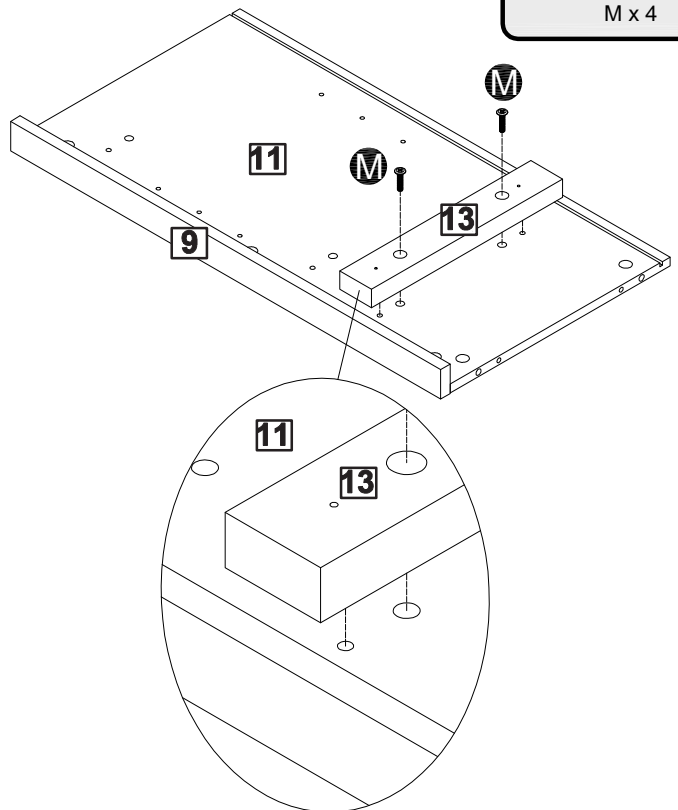
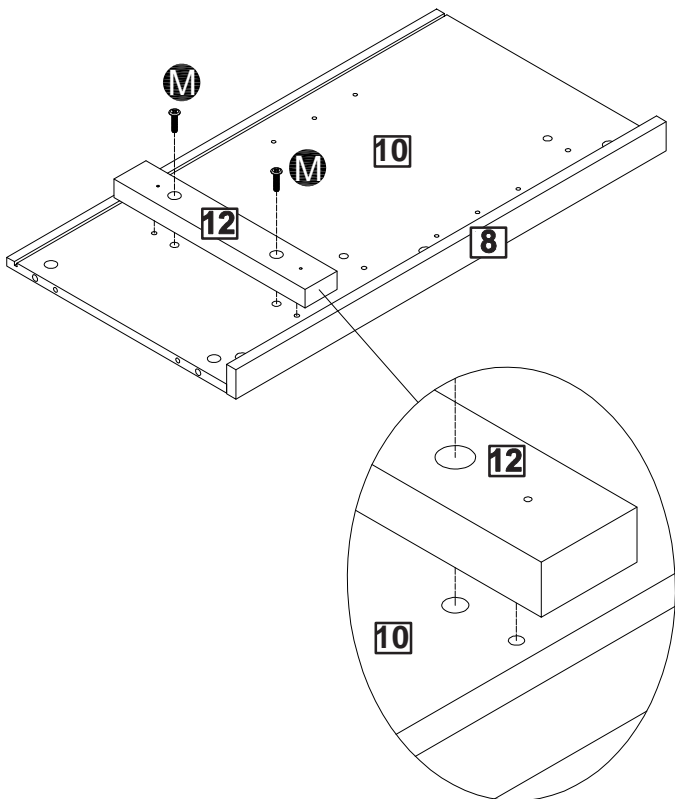
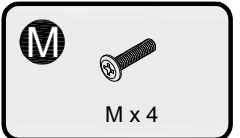


Assembly Instructions

Step 3

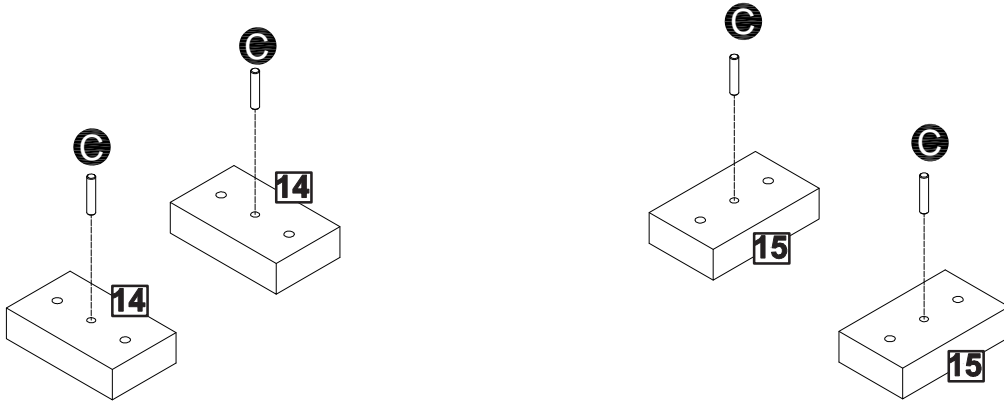


Step 4

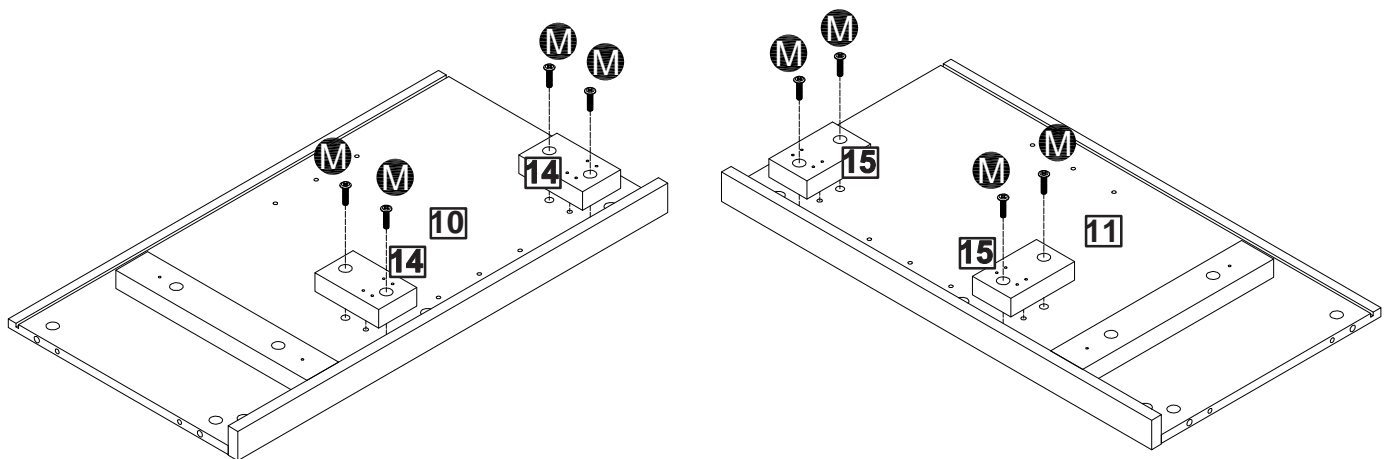


Assembly Instructions

Step 5

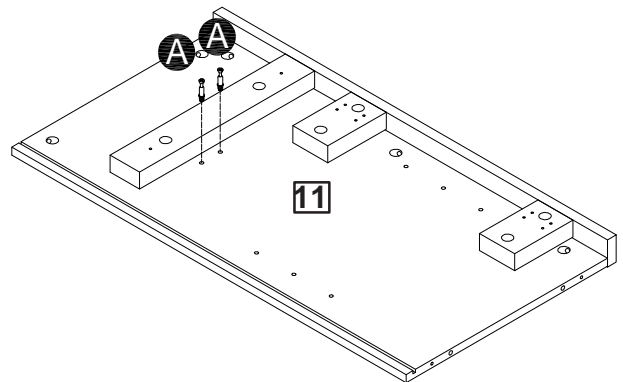
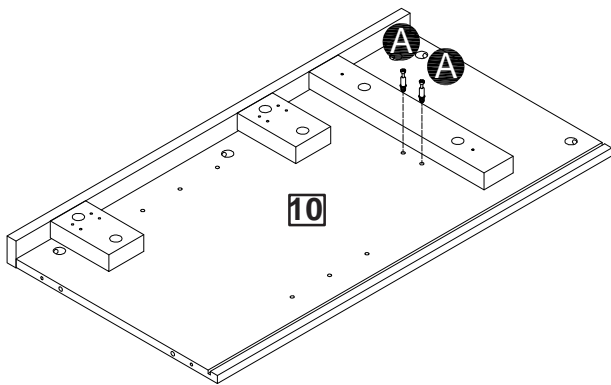
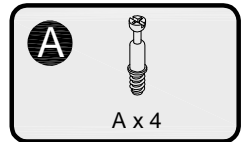


Step 6

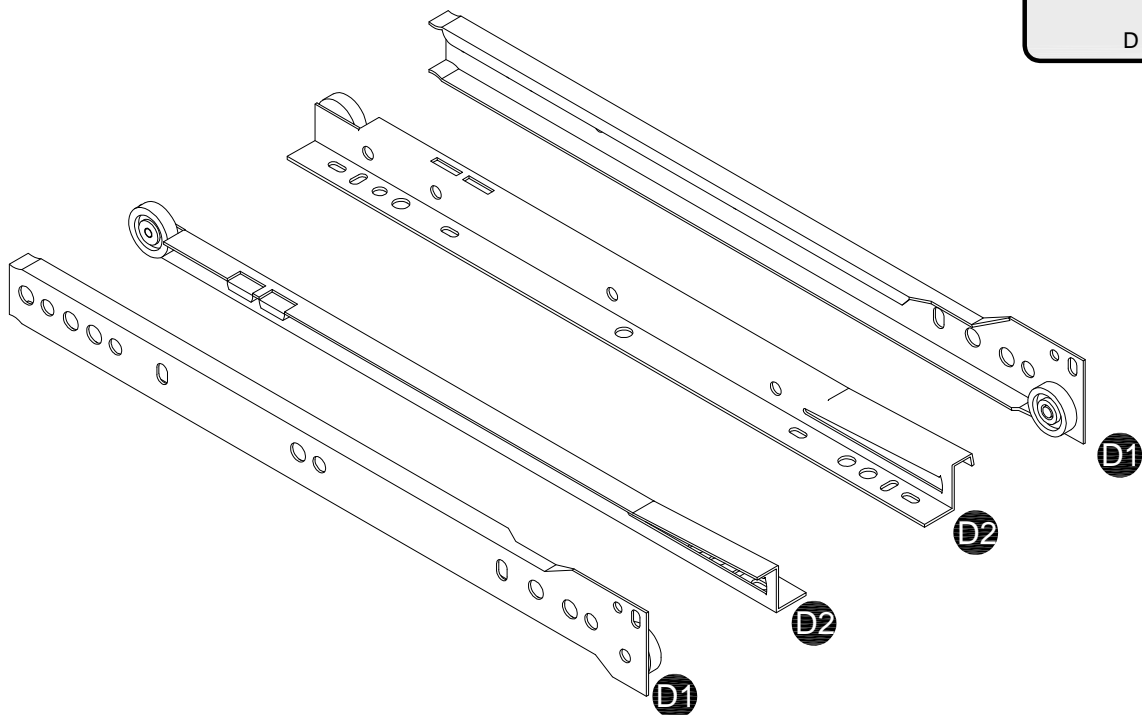
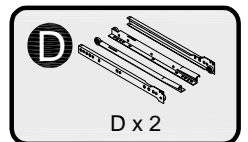


Assembly Instructions

Step 7

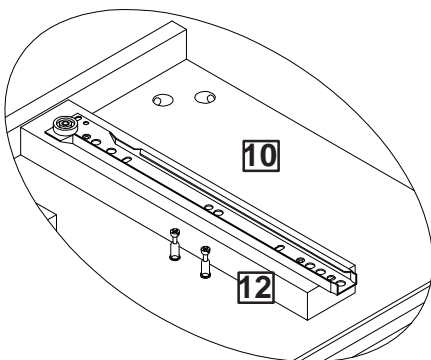
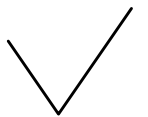
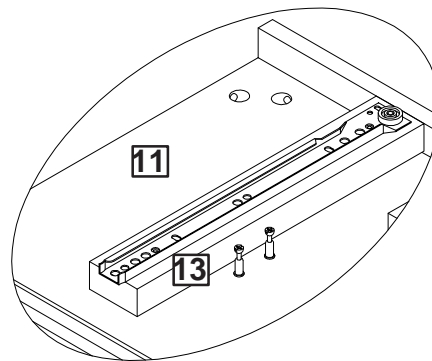
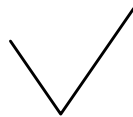
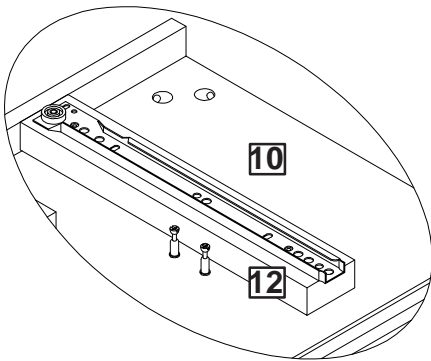
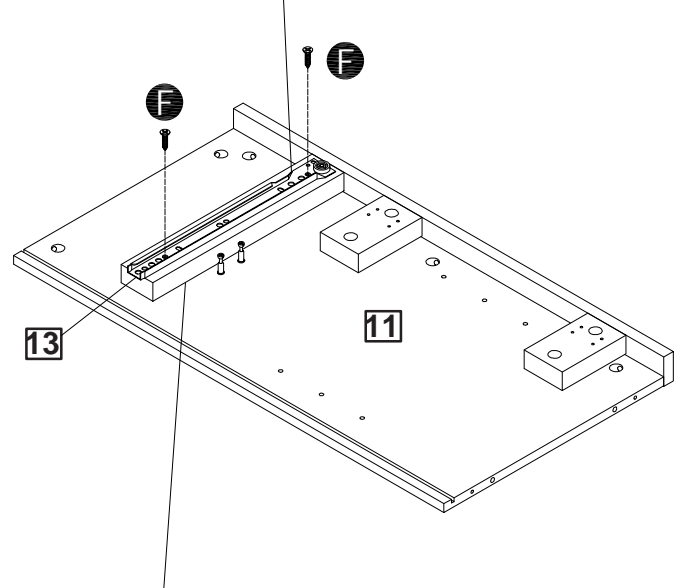
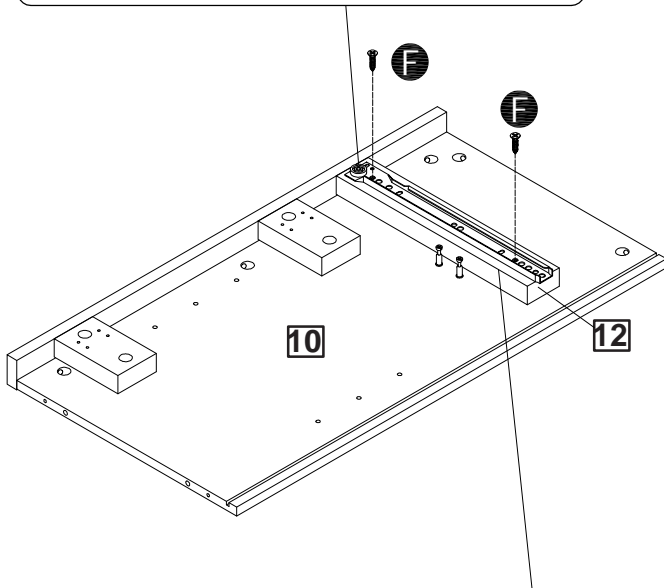
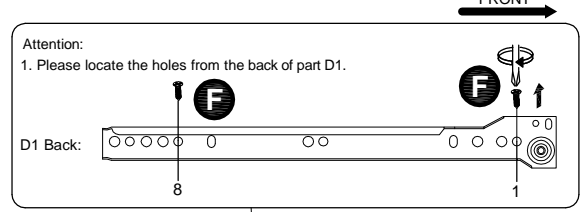
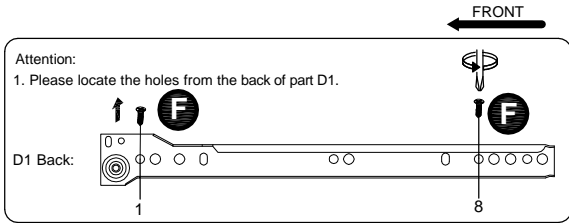
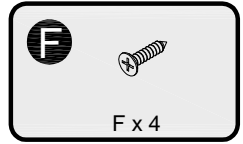


Step 8

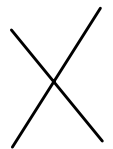
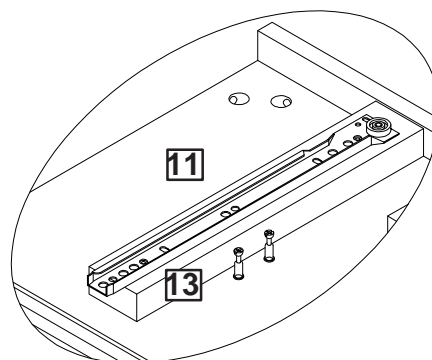


Assembly Instructions

Step 9



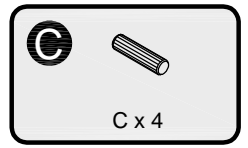
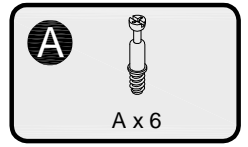
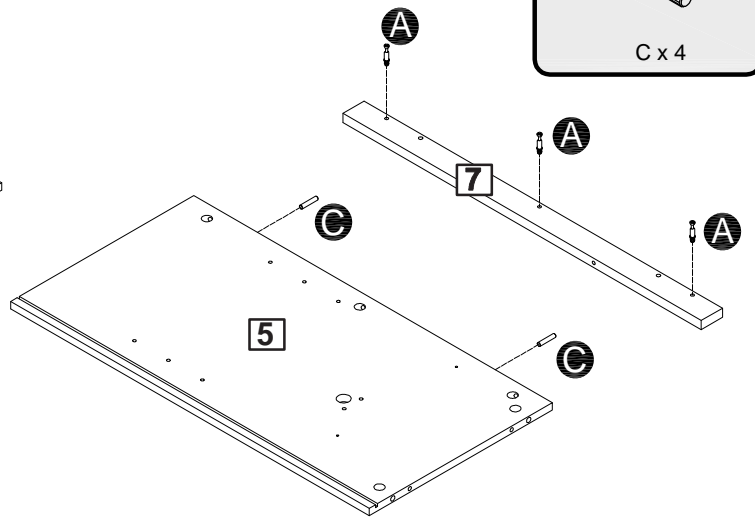
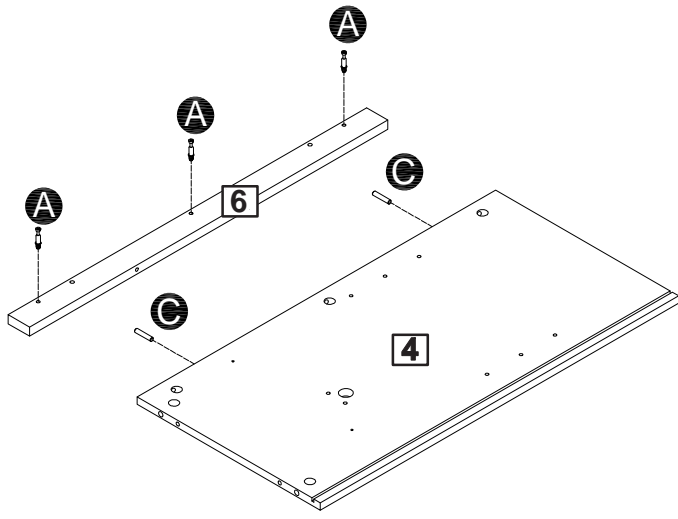
 This step requires No. 12 board to turn the direction of installation!



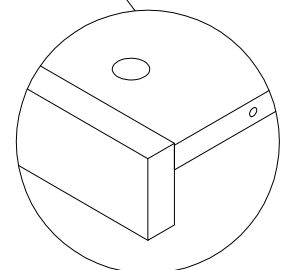
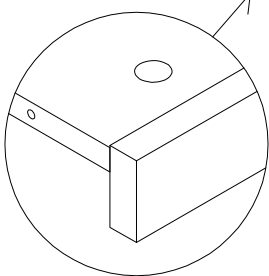
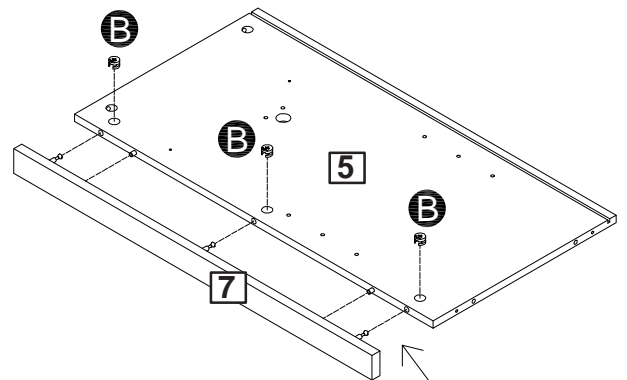
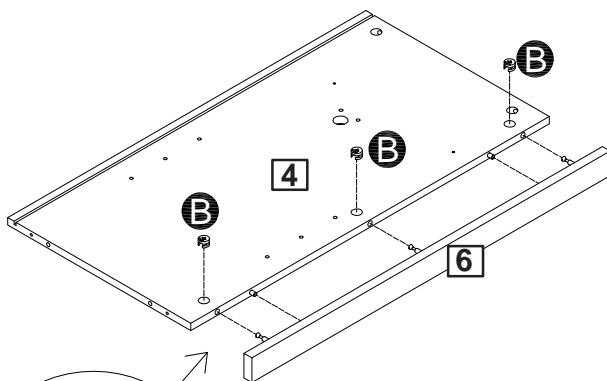
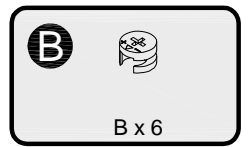
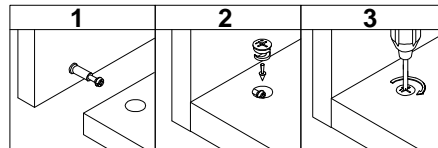
 This step requires No. 13 board to turn the direction of installation!

Assembly Instructions

Step 10

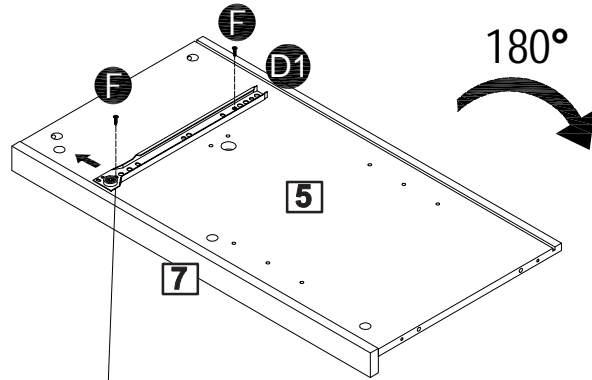
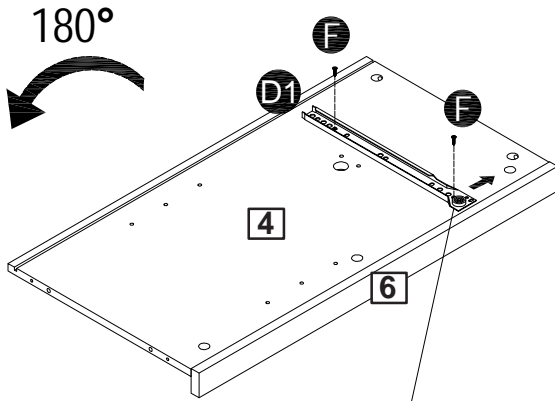


Step 11



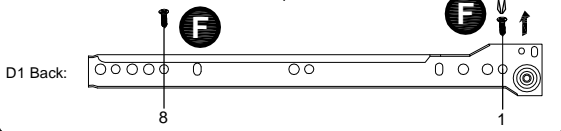
Assembly Instructions

Step 12



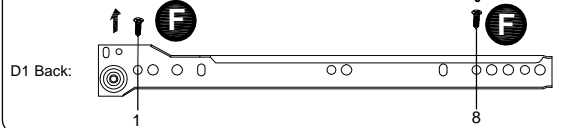
Attention:

1. Please locate the holes from the back of part D1.

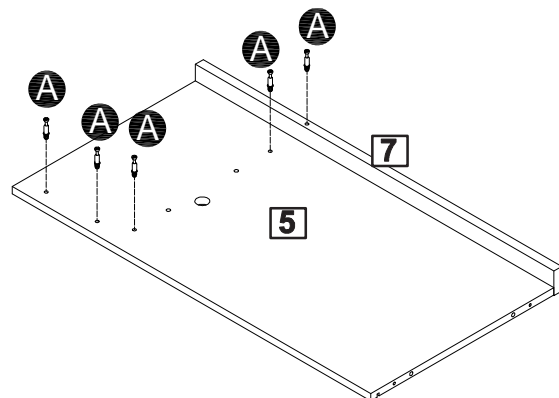
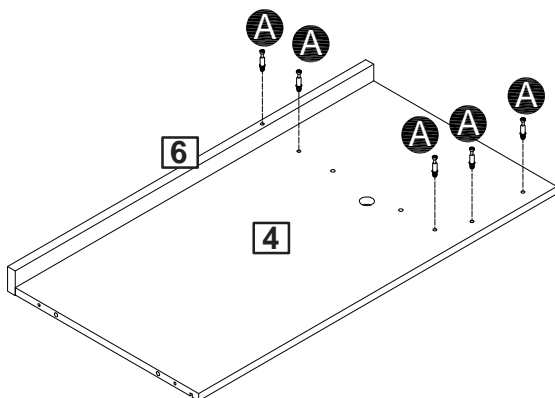
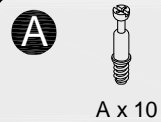


Attention:

1. Please locate the holes from the back of part D1.

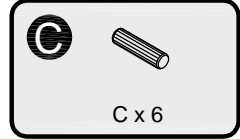
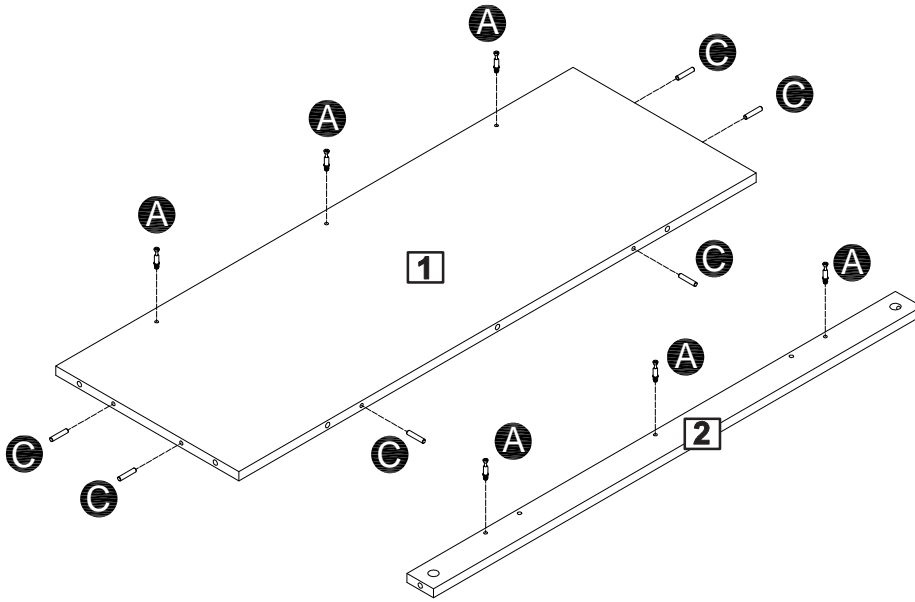


Step 13

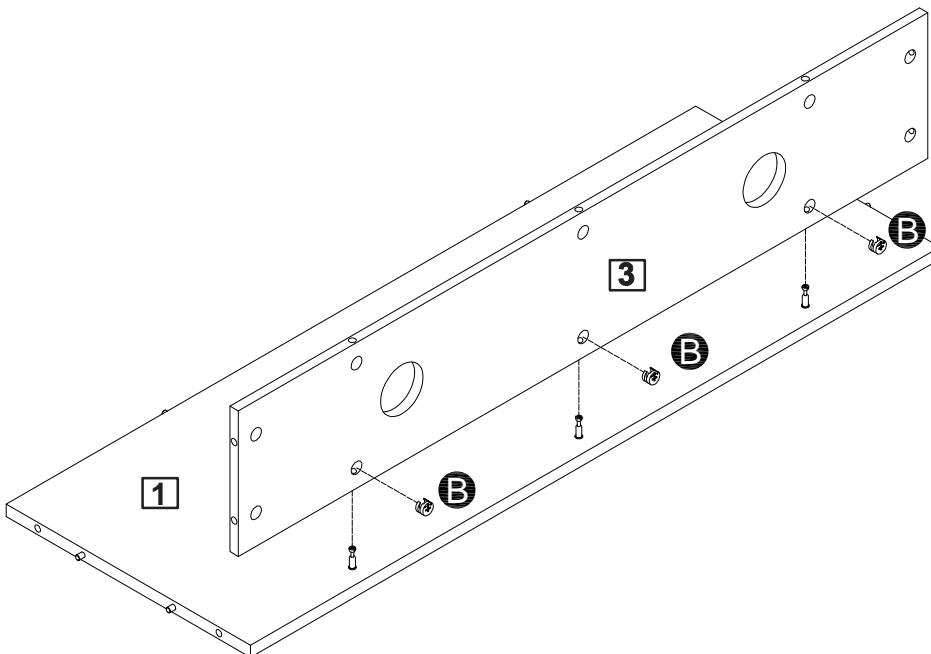
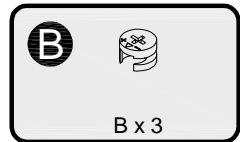
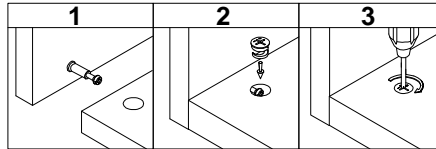


Assembly Instructions

Step 14

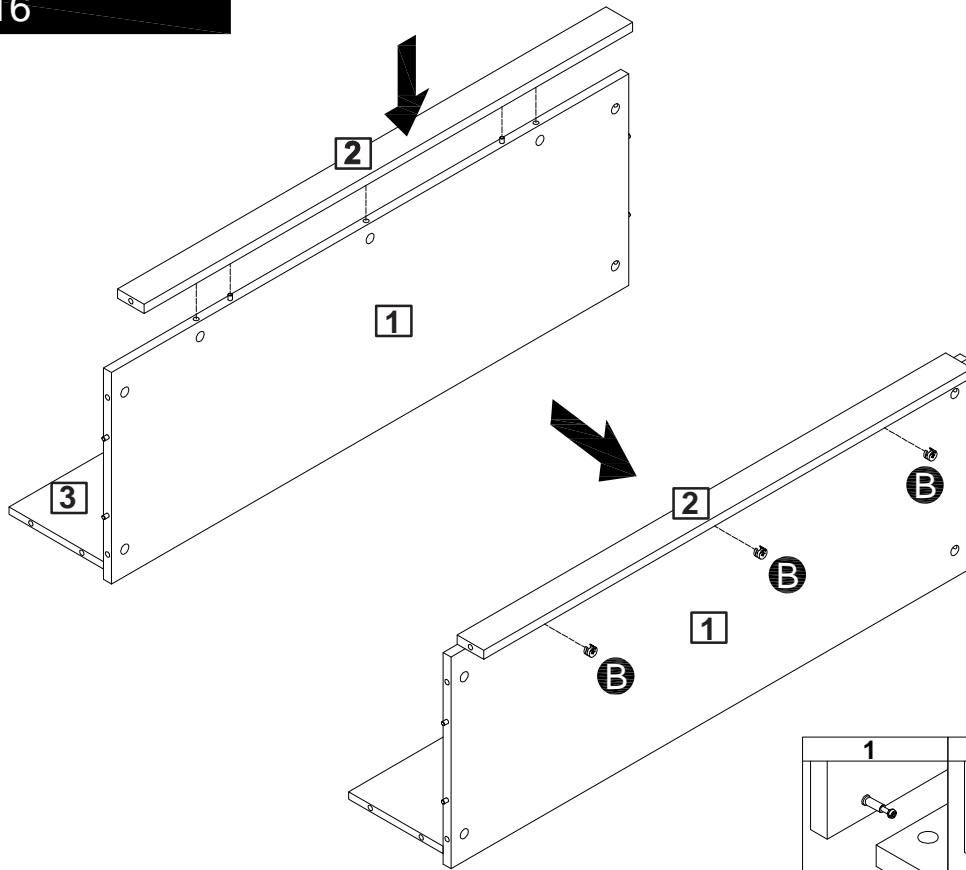


Step 15

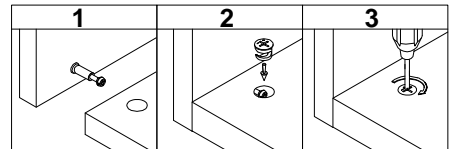


Assembly Instructions

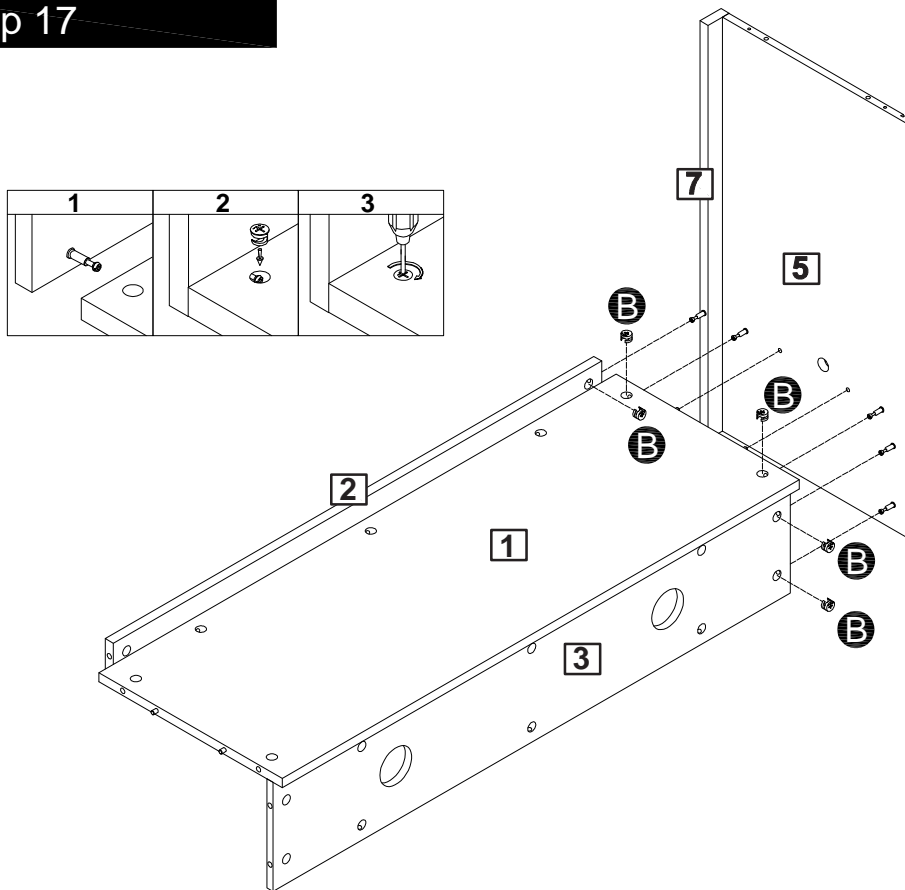
Step 16



B 
B x 3



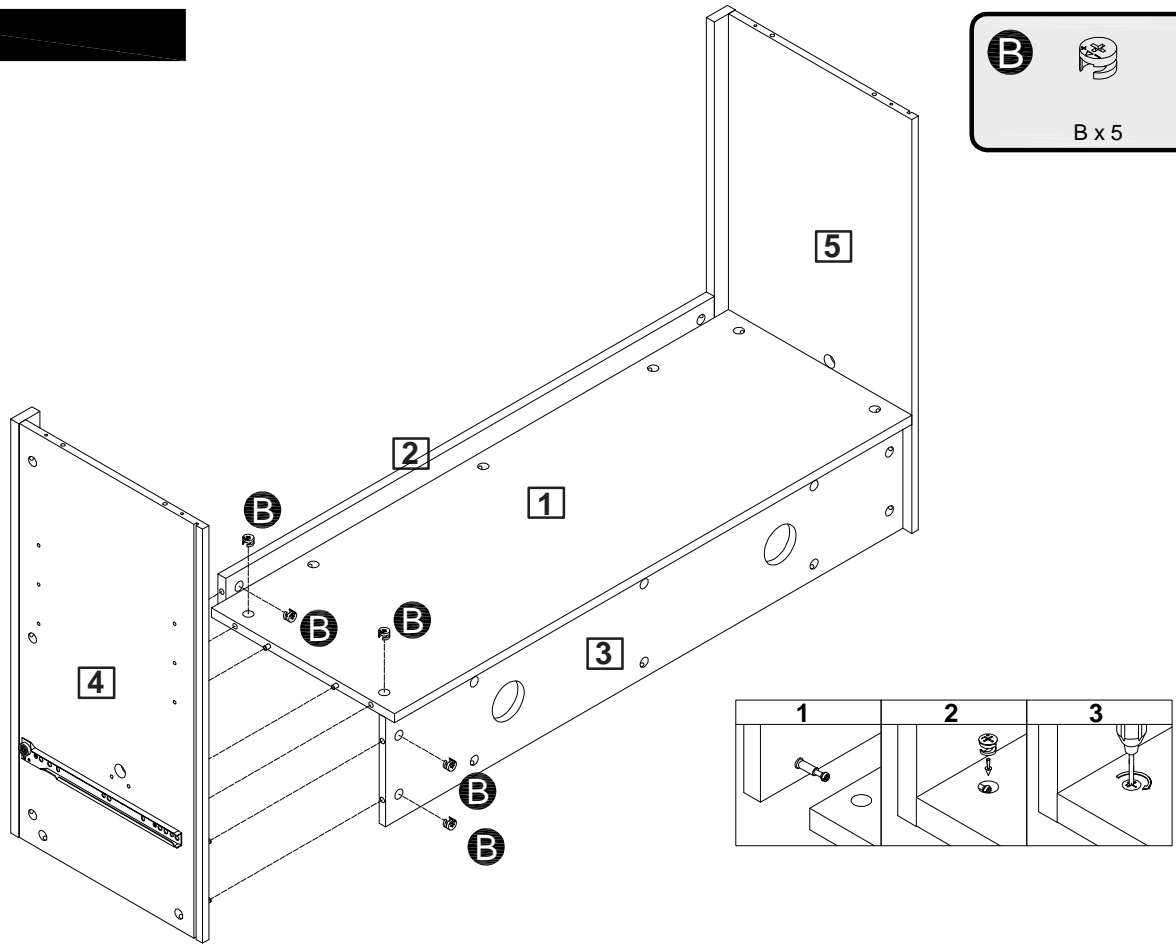
Step 17



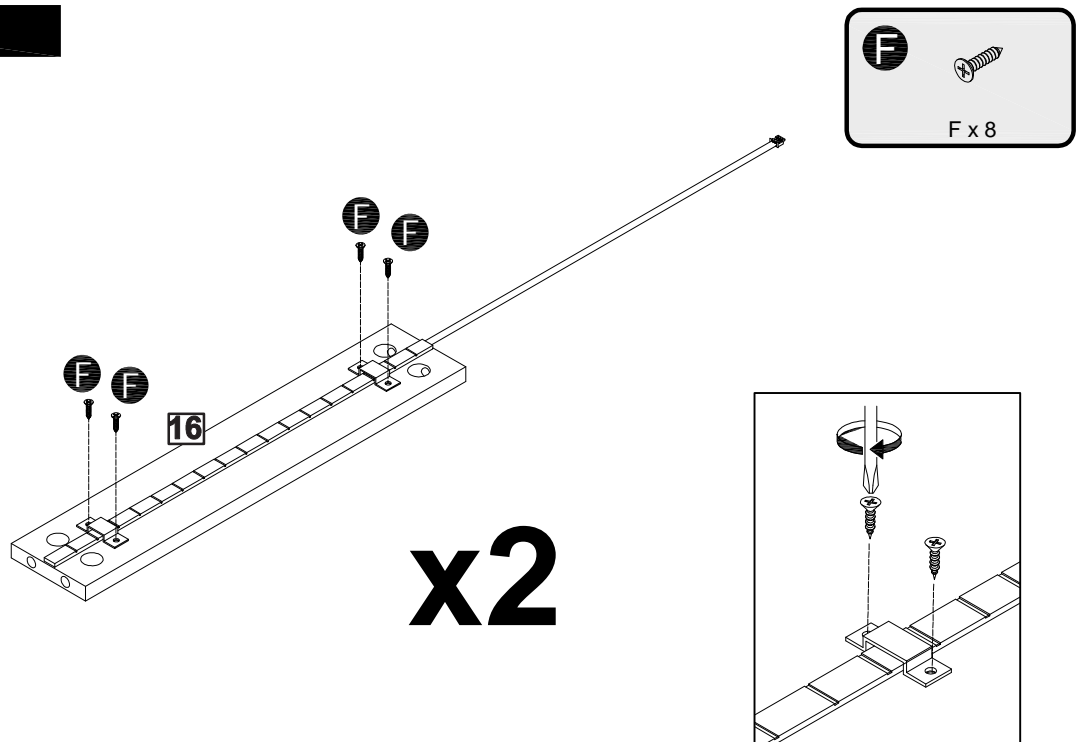
B 
B x 5

Assembly Instructions

Step 18



Step 19

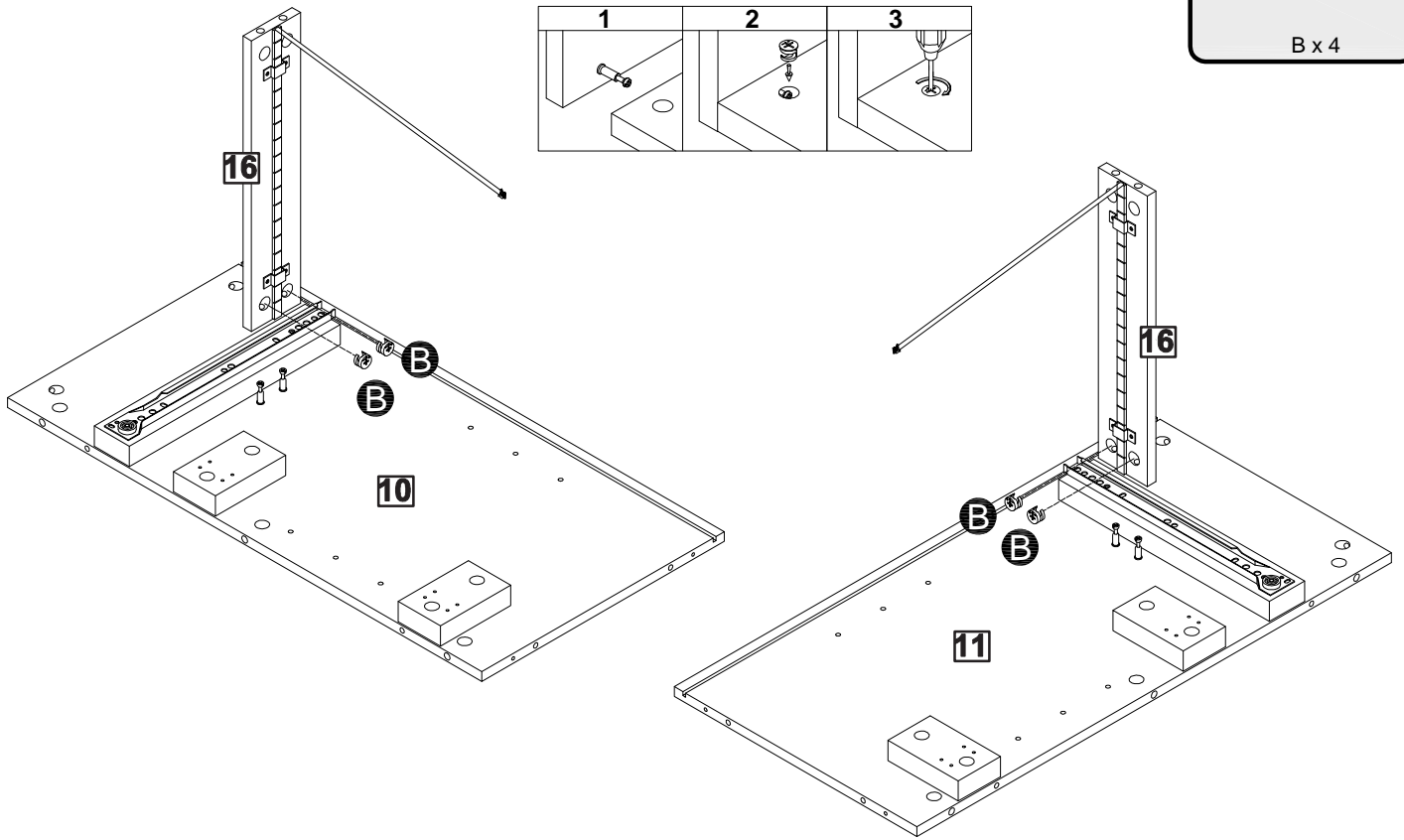


Attach LED lights to part (16)

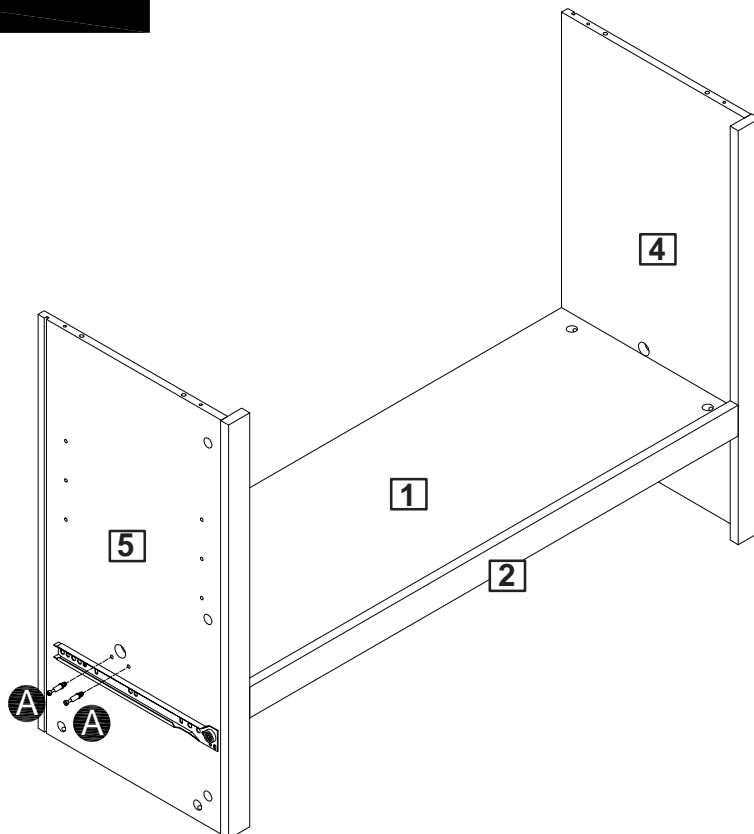
Note: you can find buckles and screws in the box of the fireplace

Assembly Instructions

Step 20

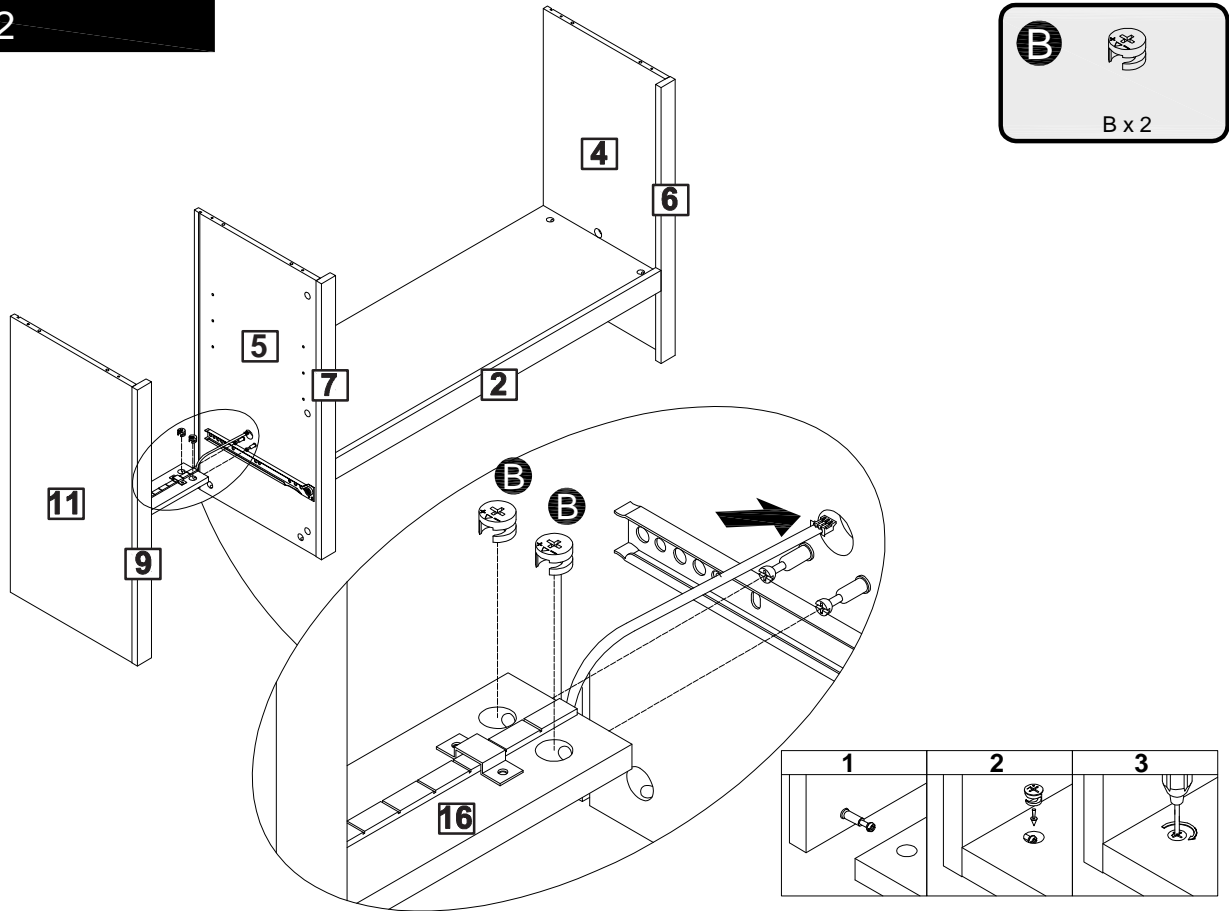


Step 21

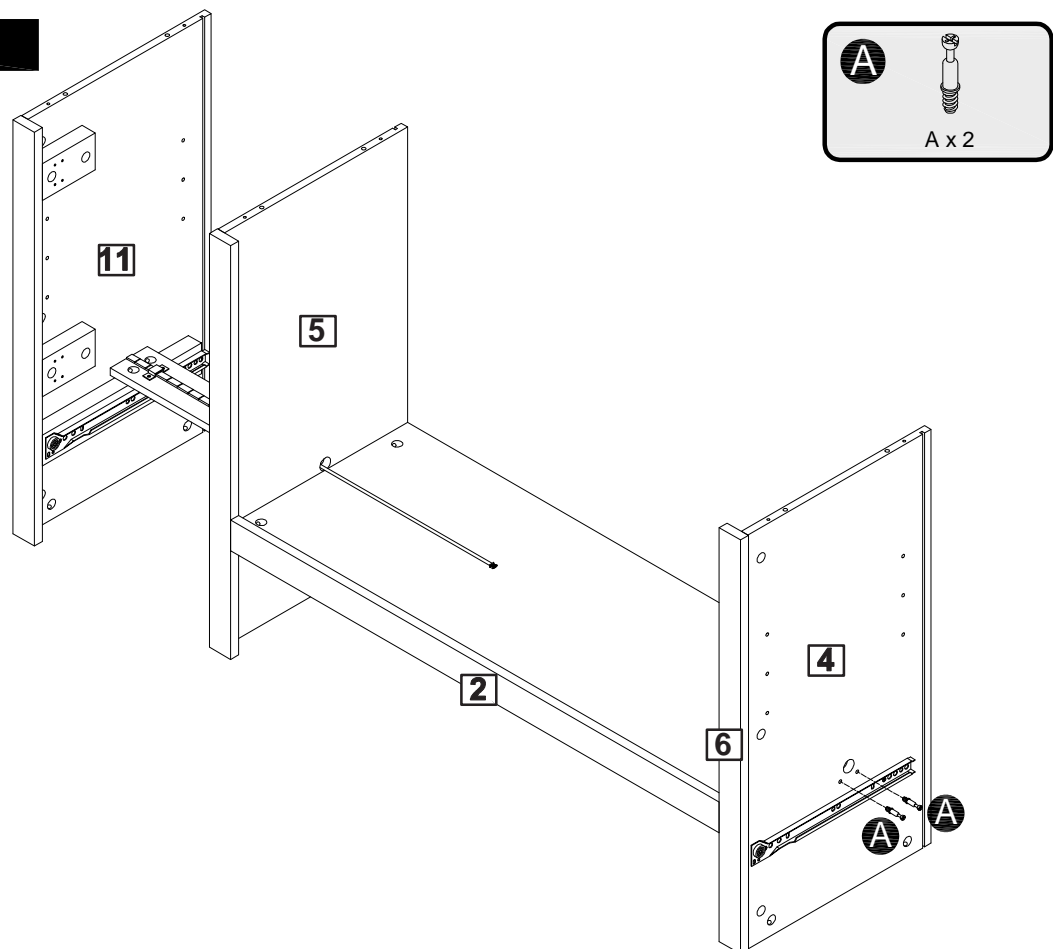


Assembly Instructions

Step 22

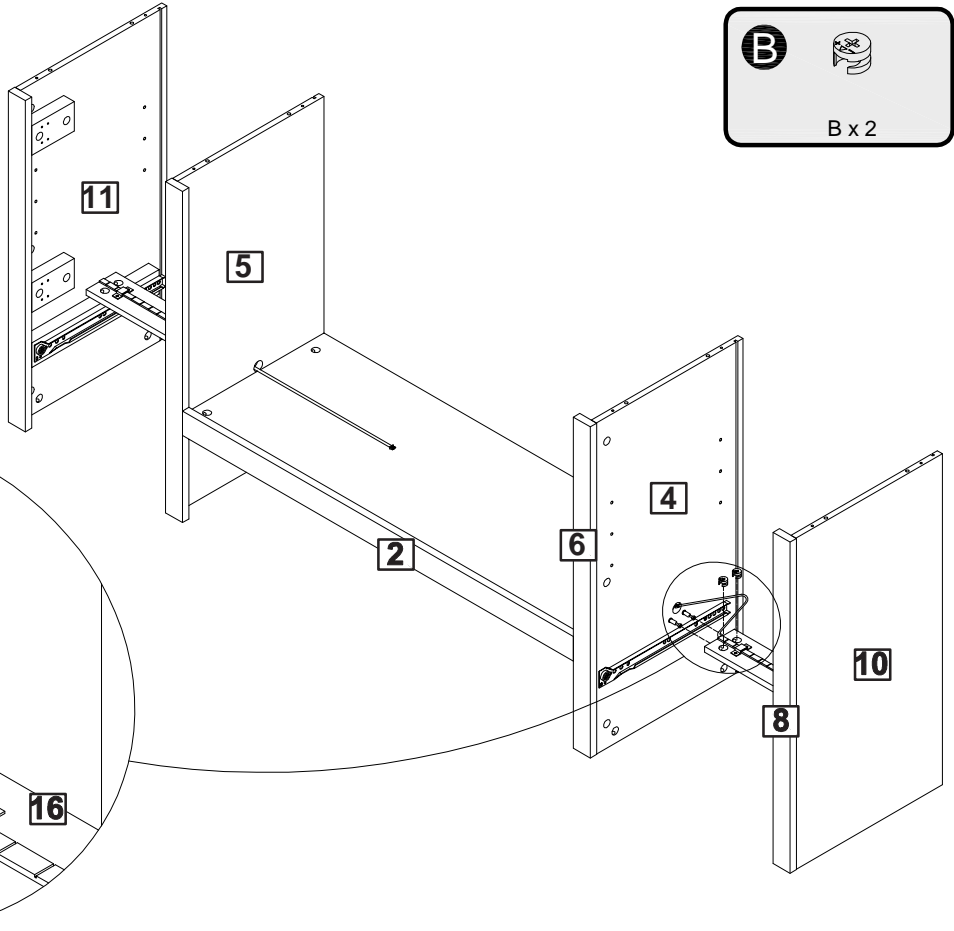
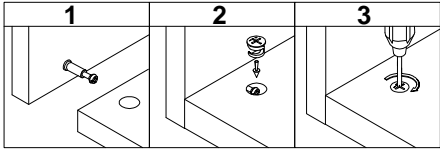


Step 23

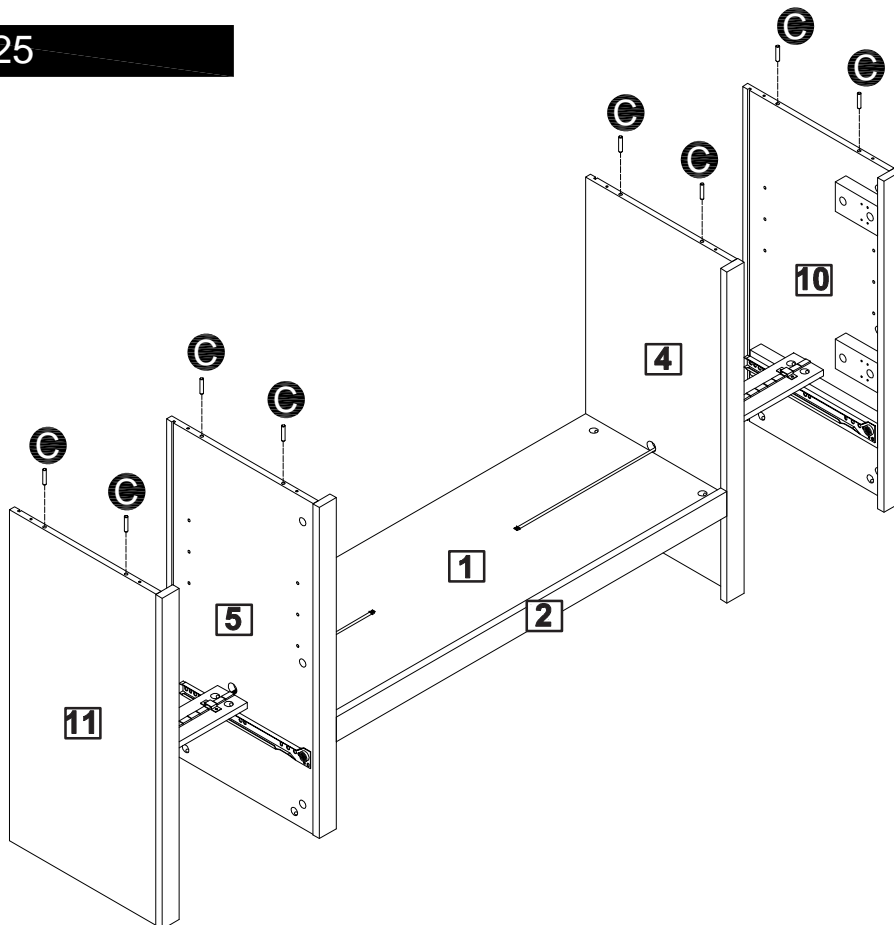


Assembly Instructions

Step 24

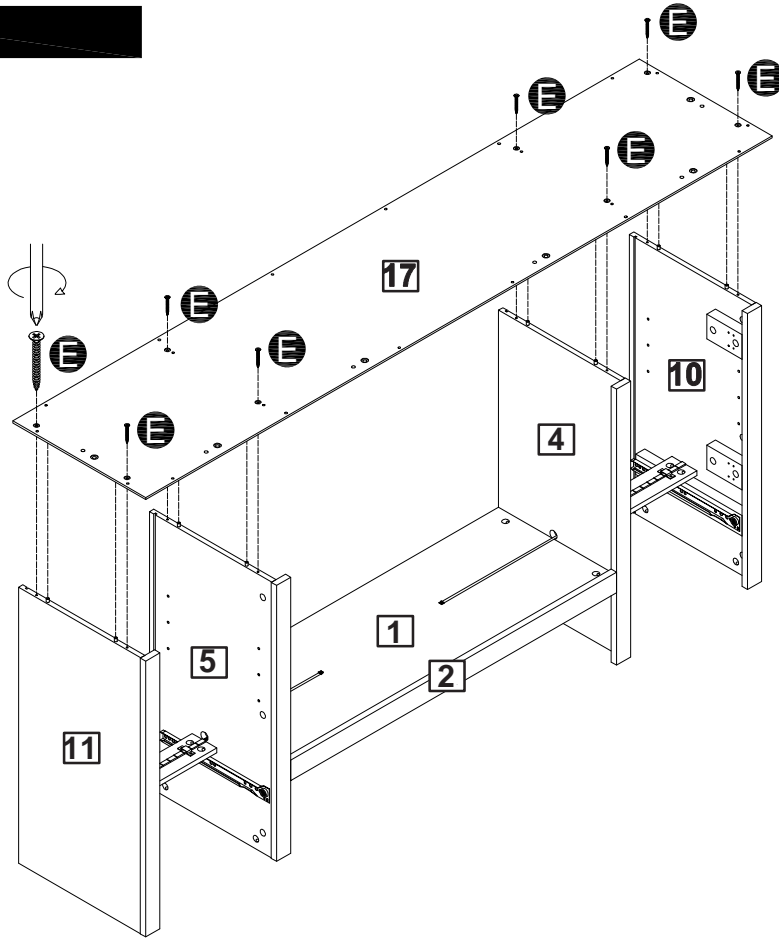


Step 25



Assembly Instructions

Step 26

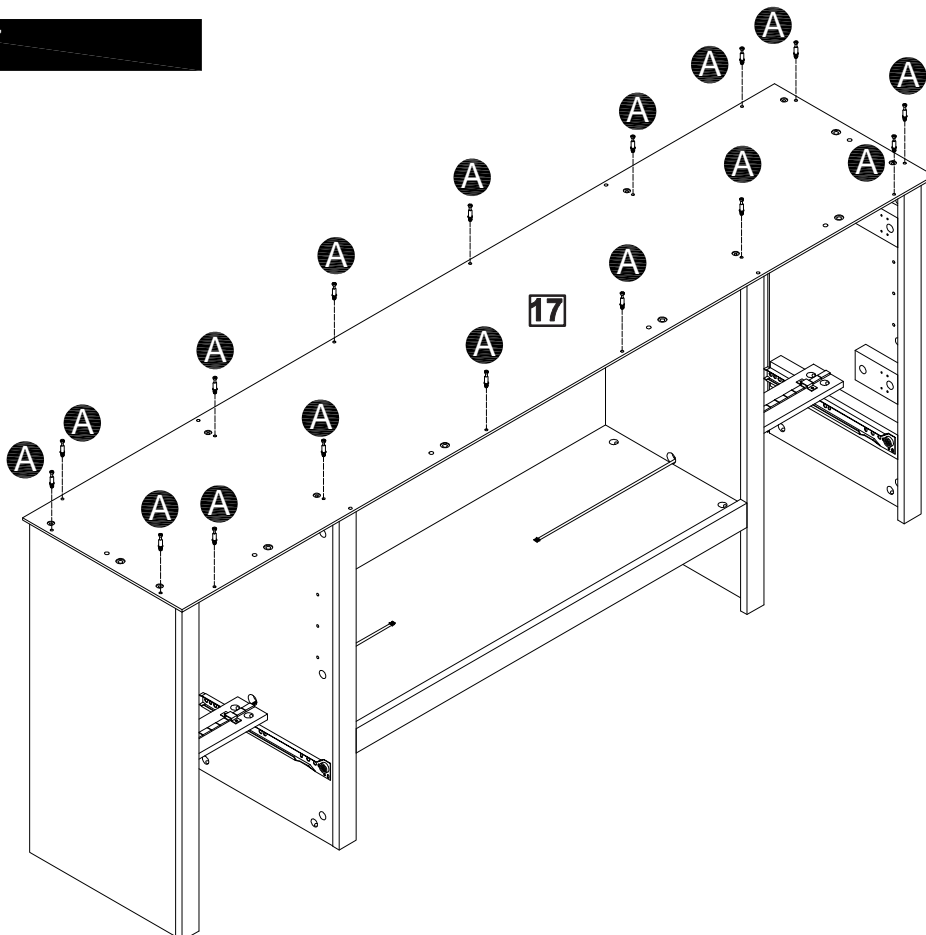


E



E x 8

Step 27



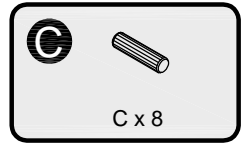
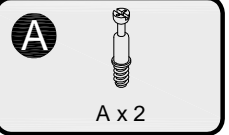
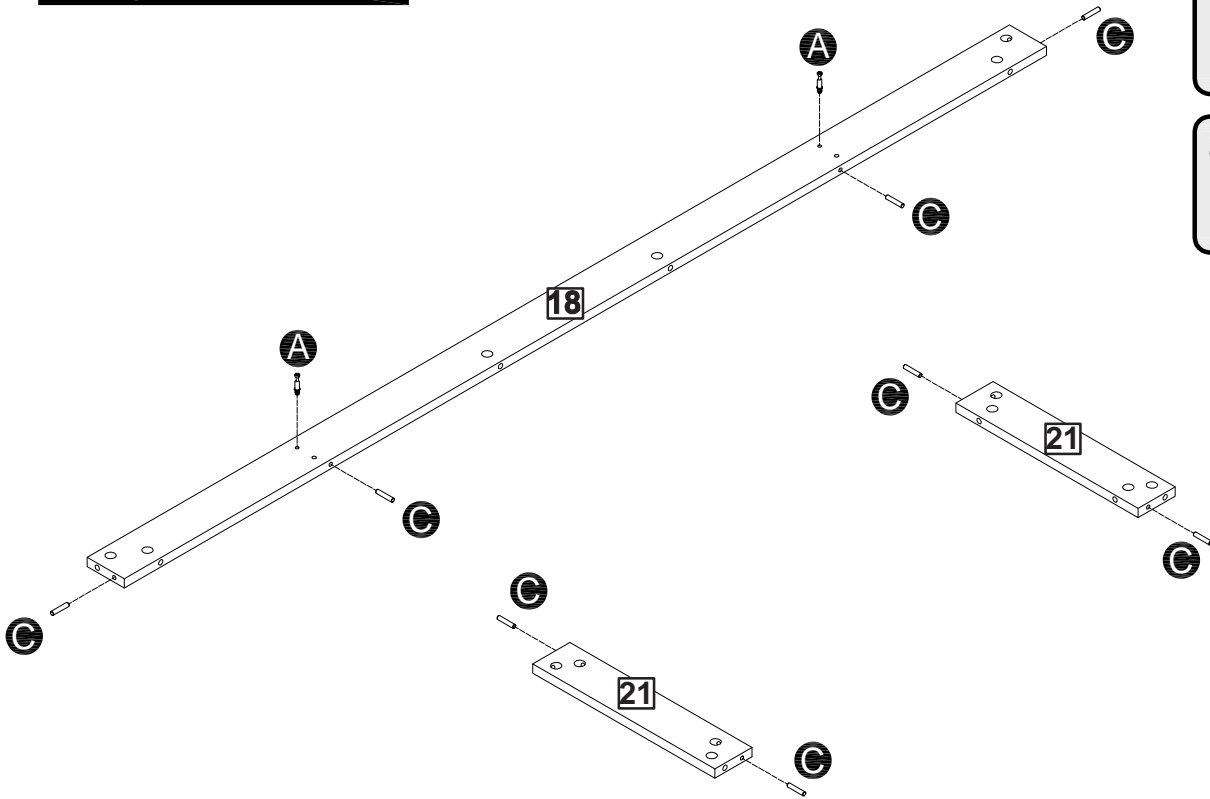
A



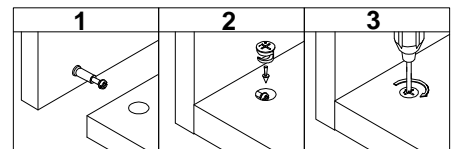
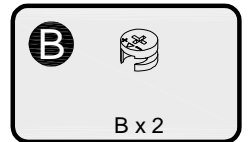
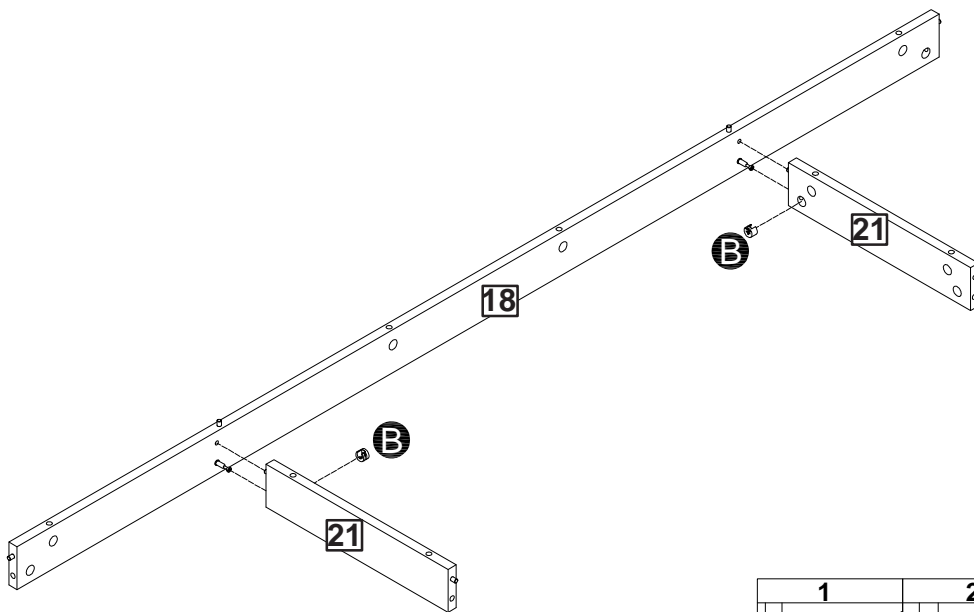
A x 16

Assembly Instructions

Step 28

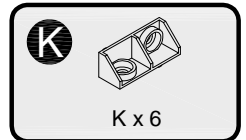
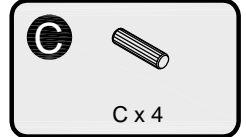
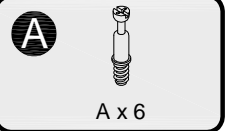
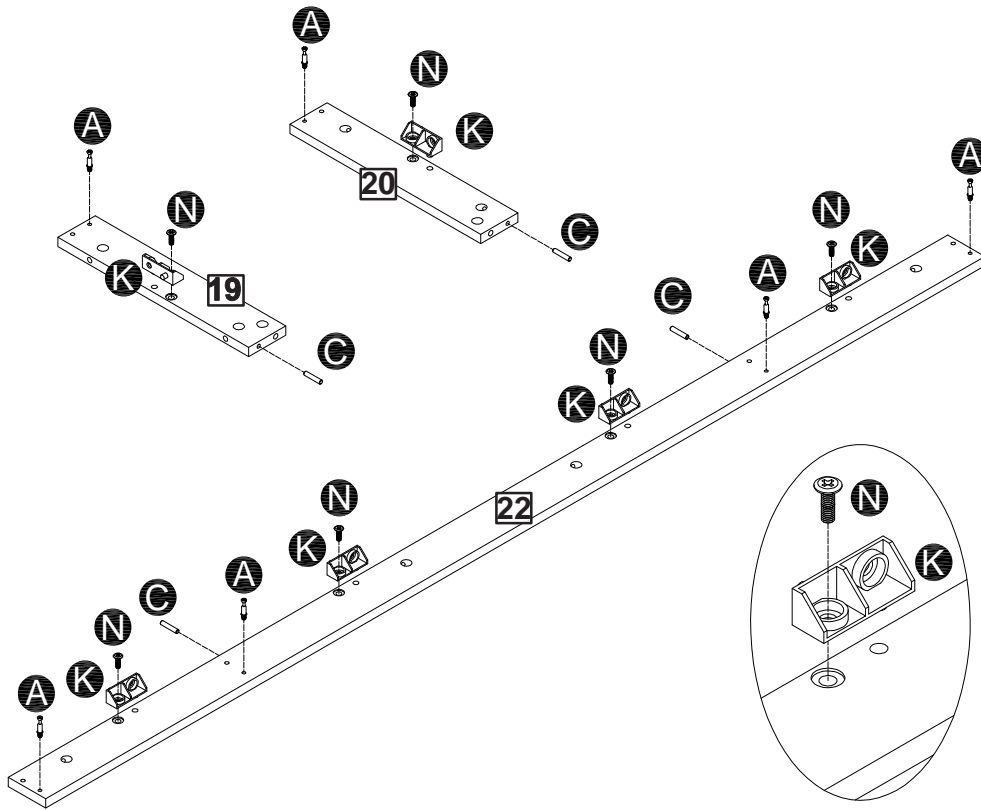


Step 29

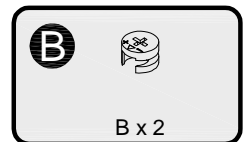
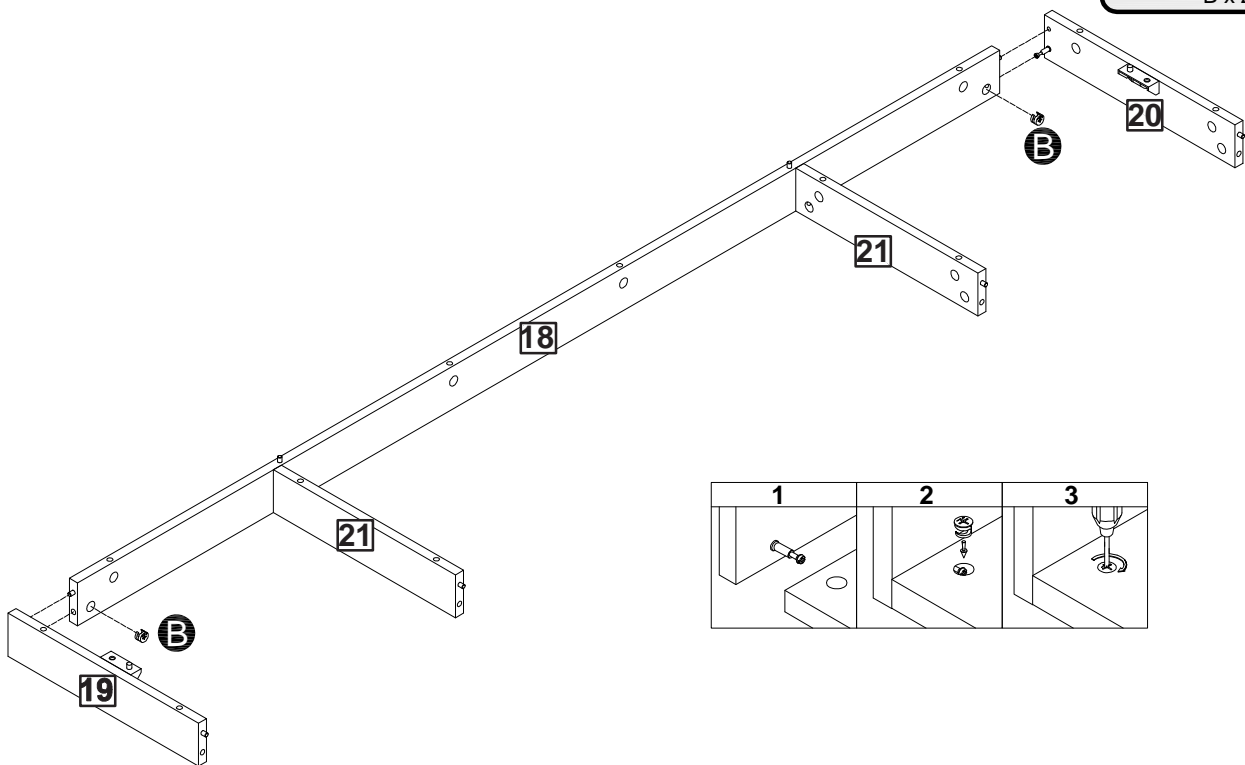


Assembly Instructions

Step 30

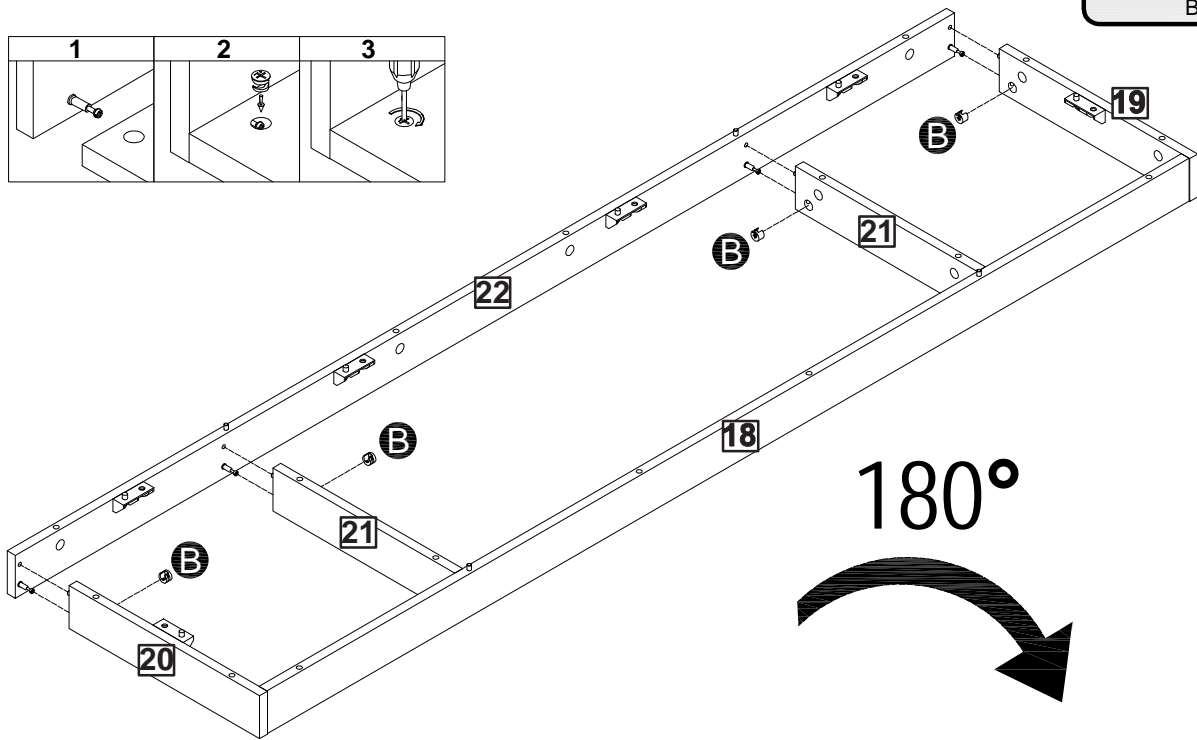
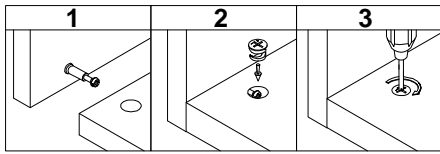


Step 31

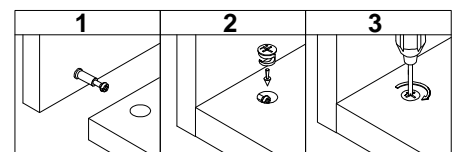
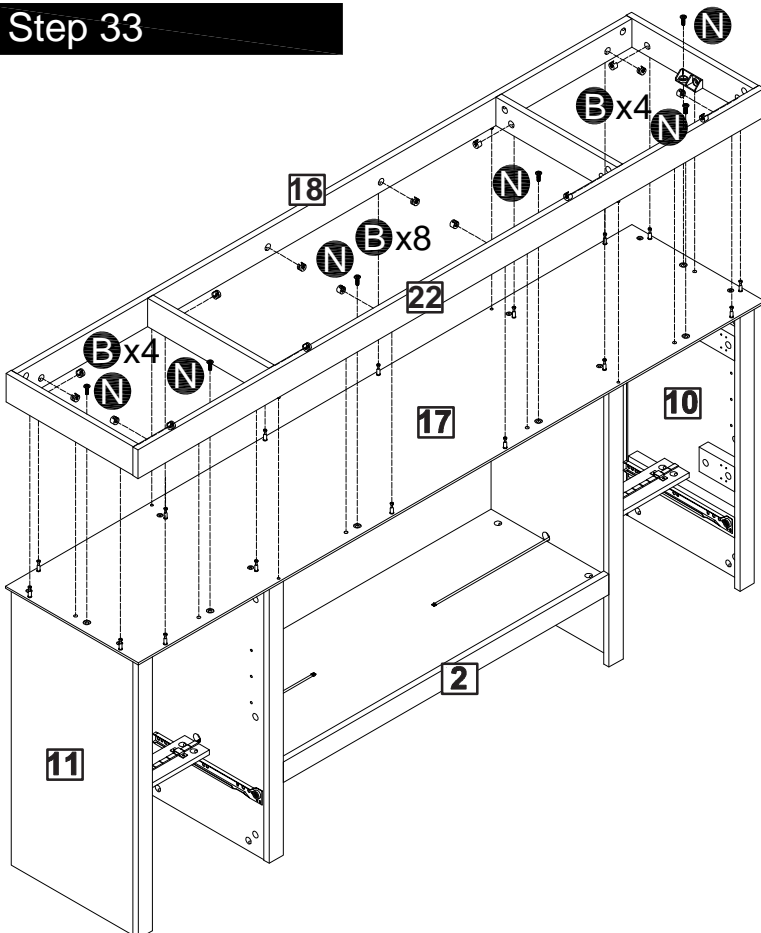
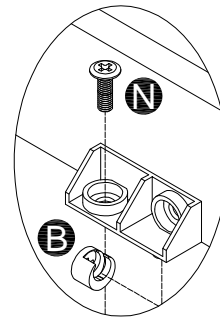


Assembly Instructions

Step 32

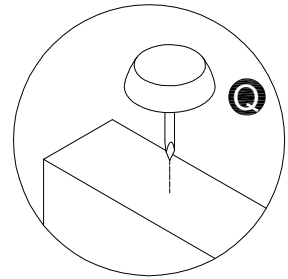
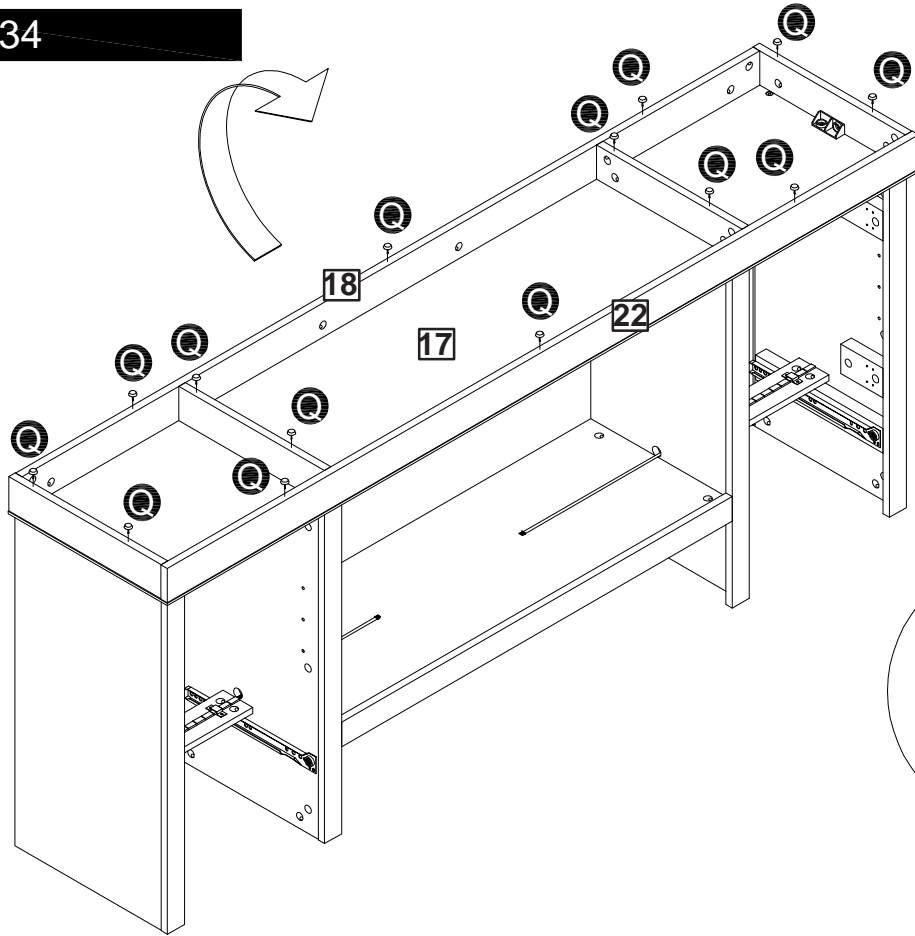


Step 33

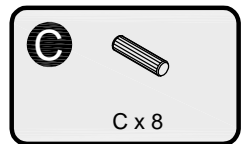
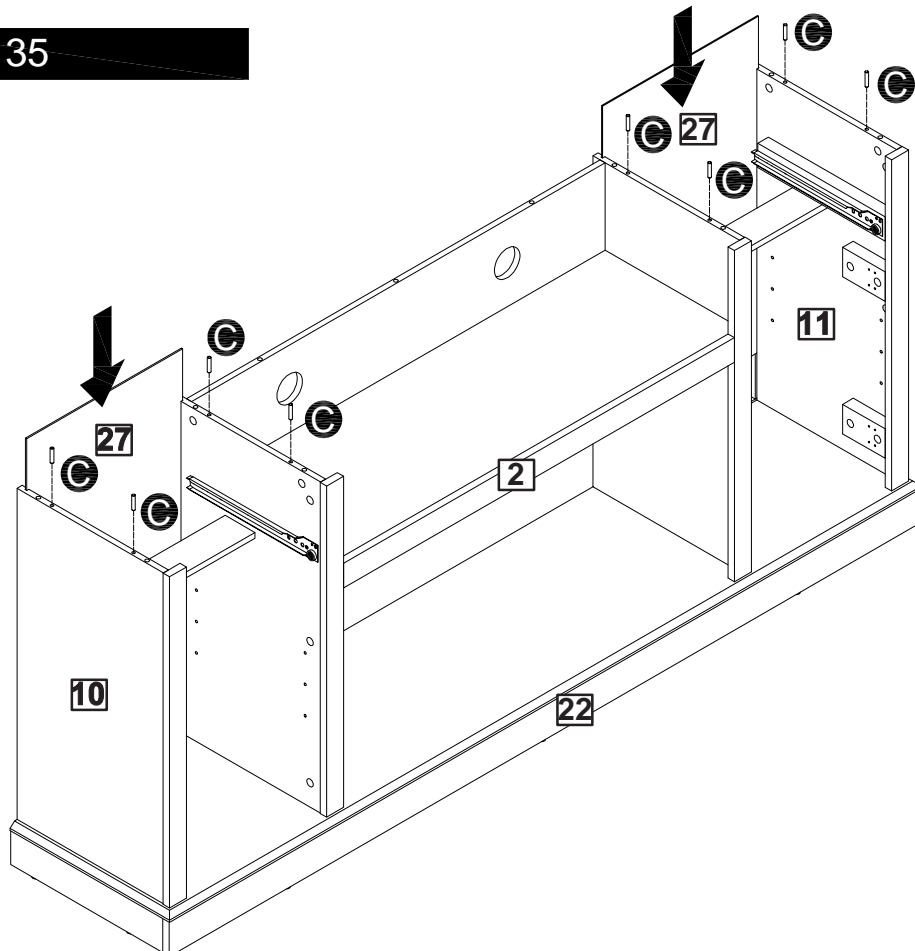


Assembly Instructions

Step 34

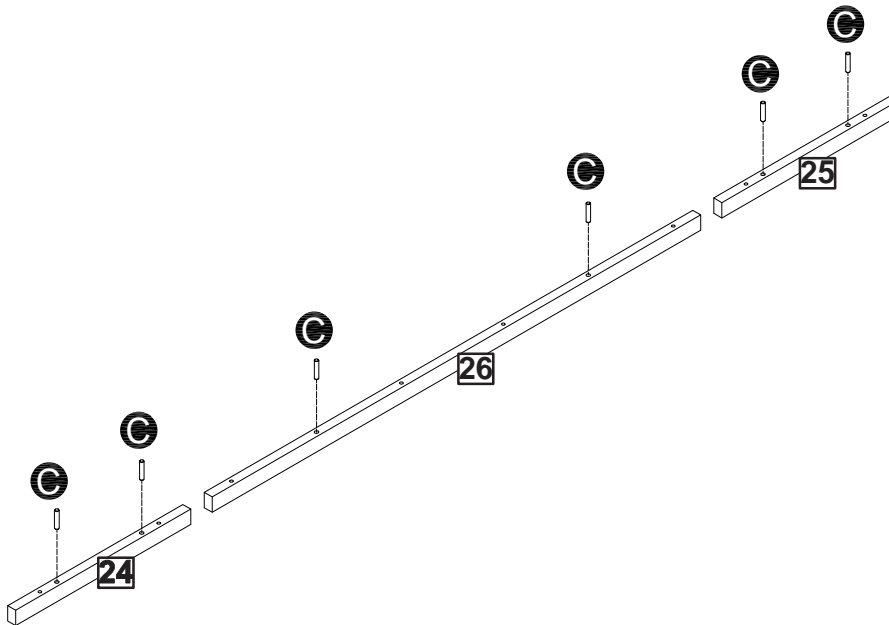


Step 35

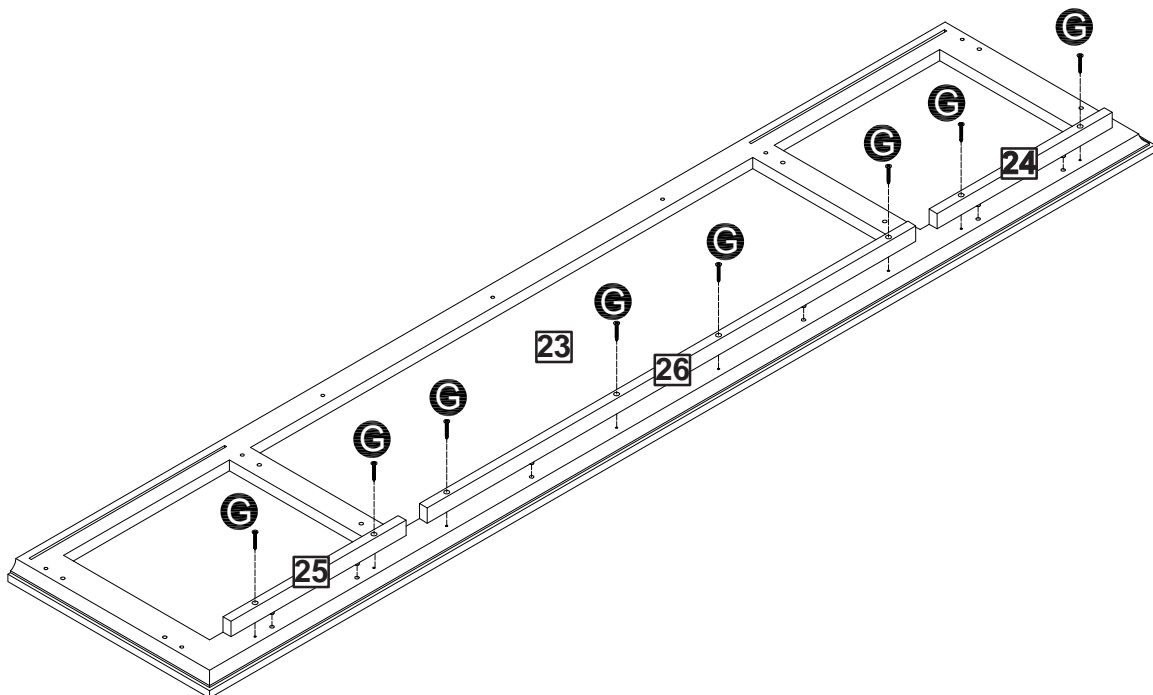


Assembly Instructions

Step 36

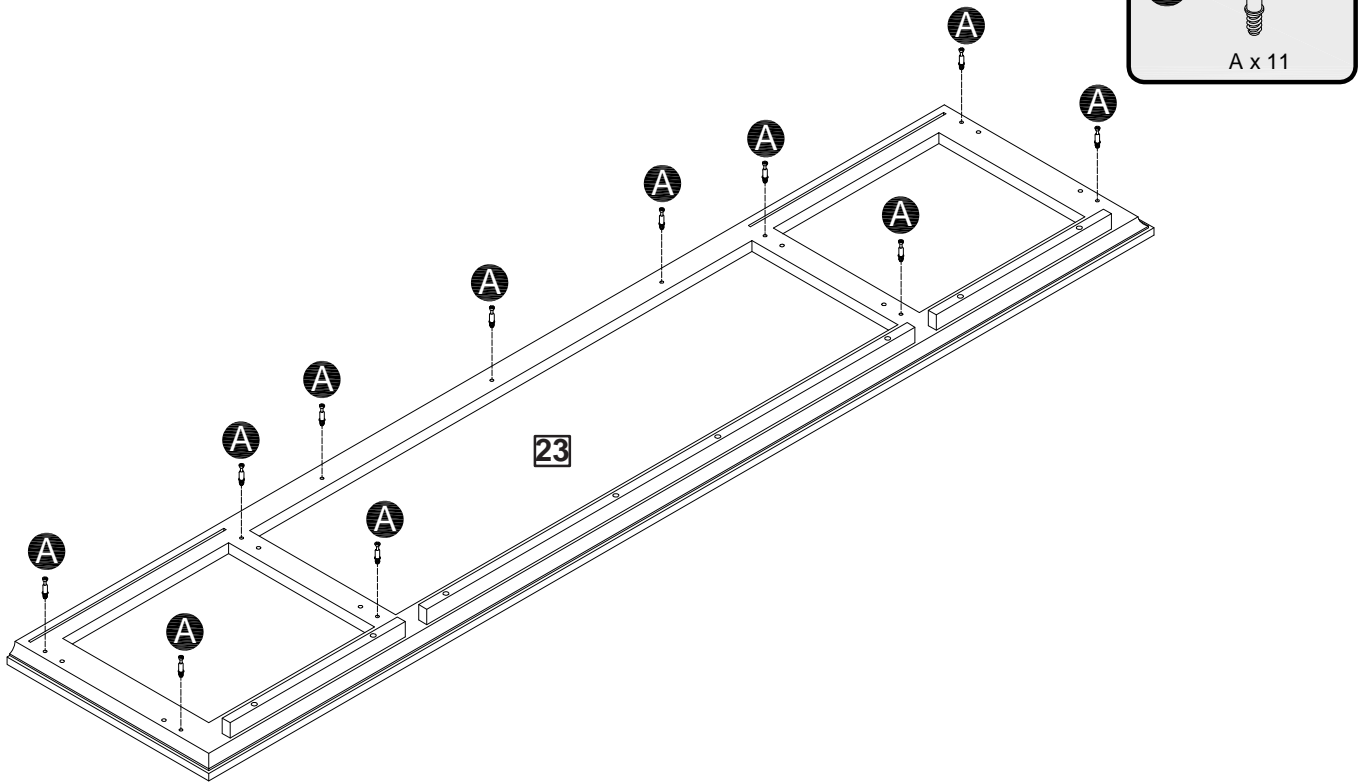


Step 37

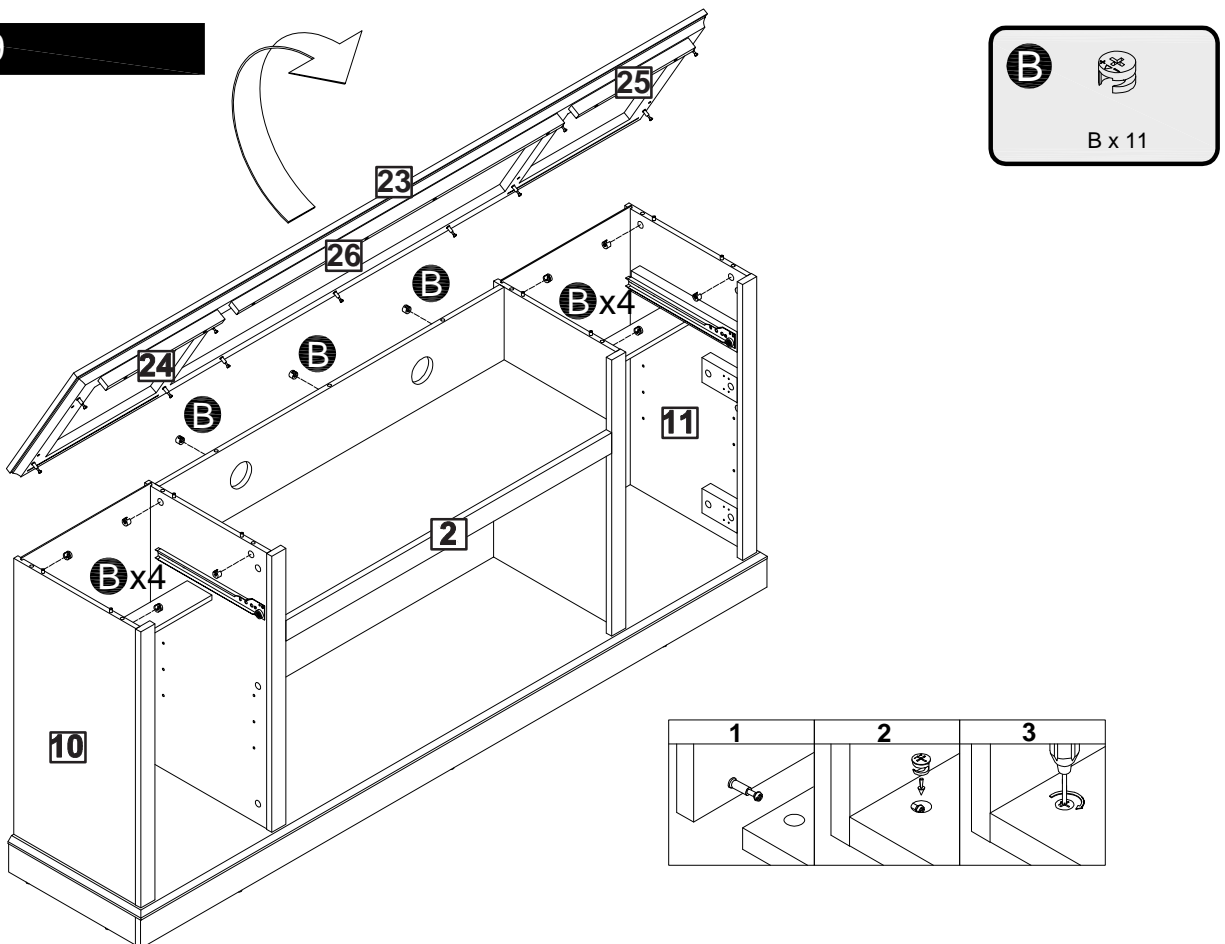


Assembly Instructions

Step 38

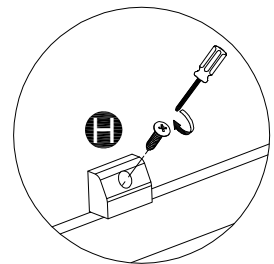
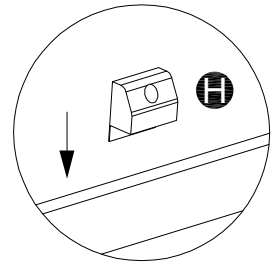
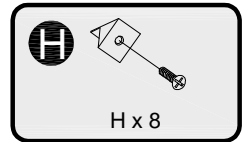
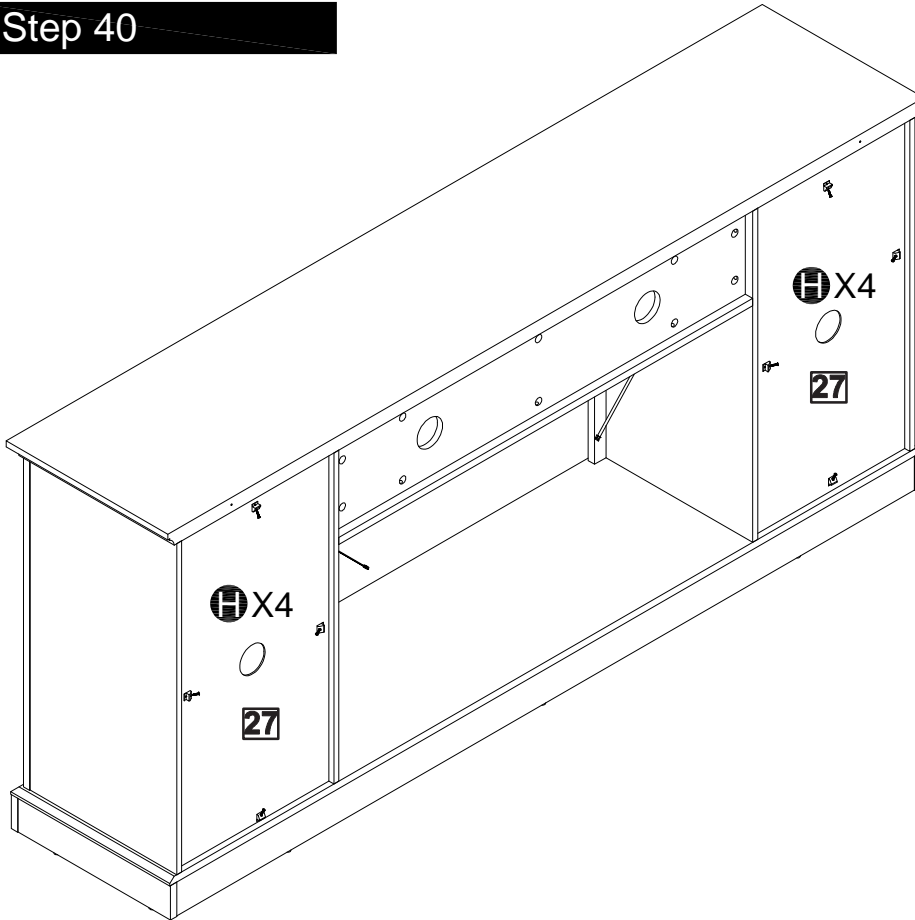


Step 39

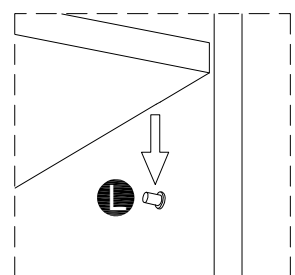
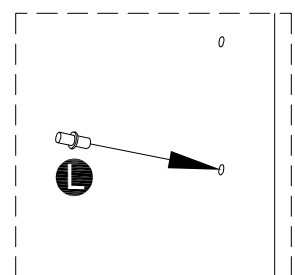
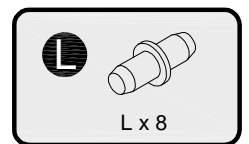
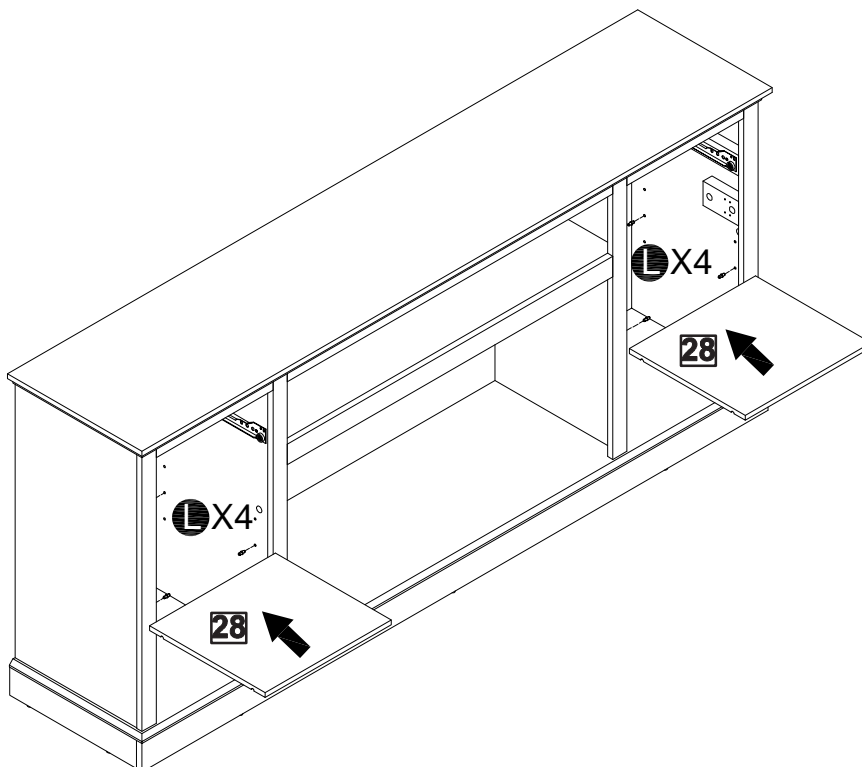


Assembly Instructions

Step 40

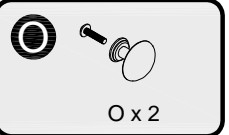
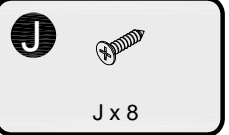
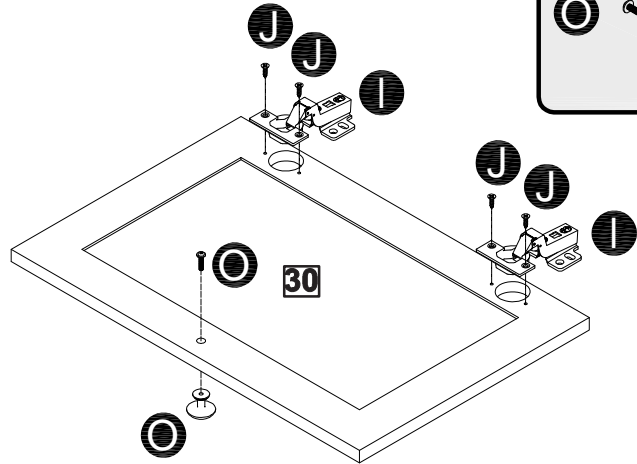
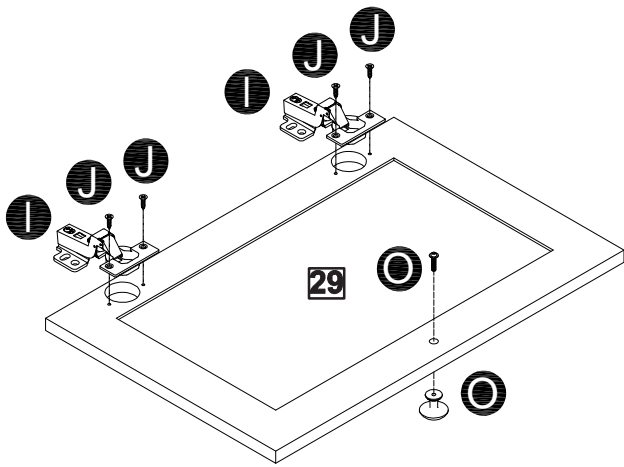


Step 41

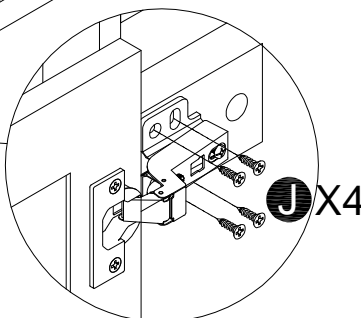
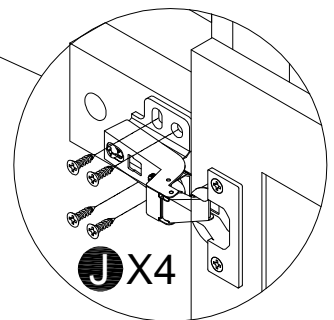
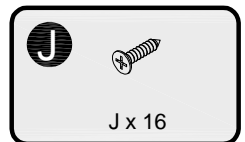
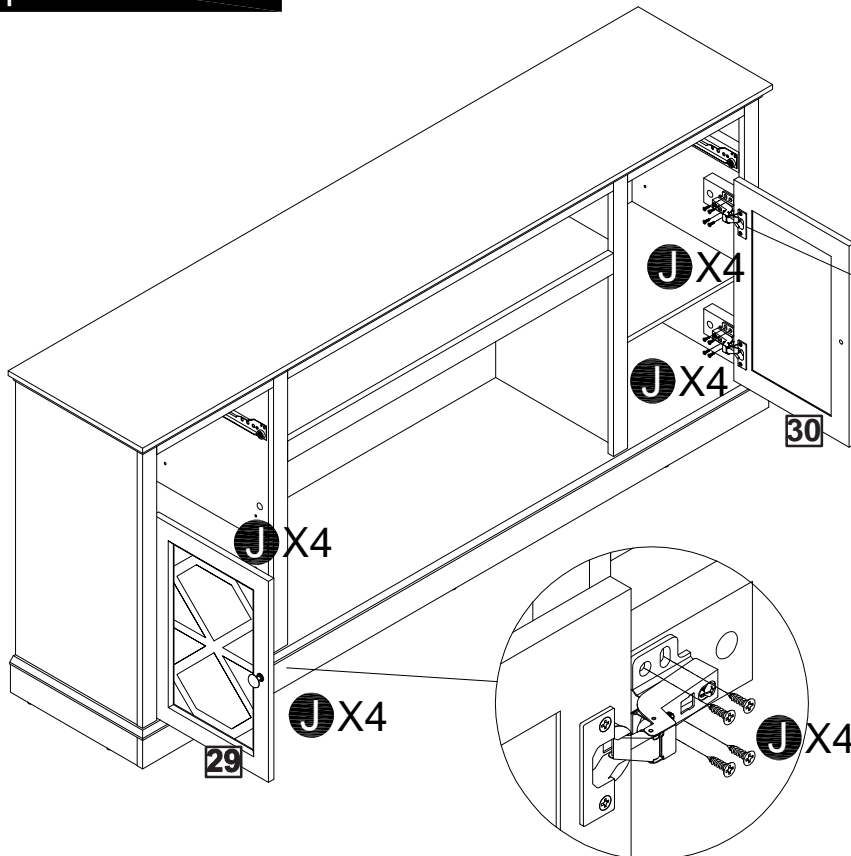


Assembly Instructions

Step 42



Step 43



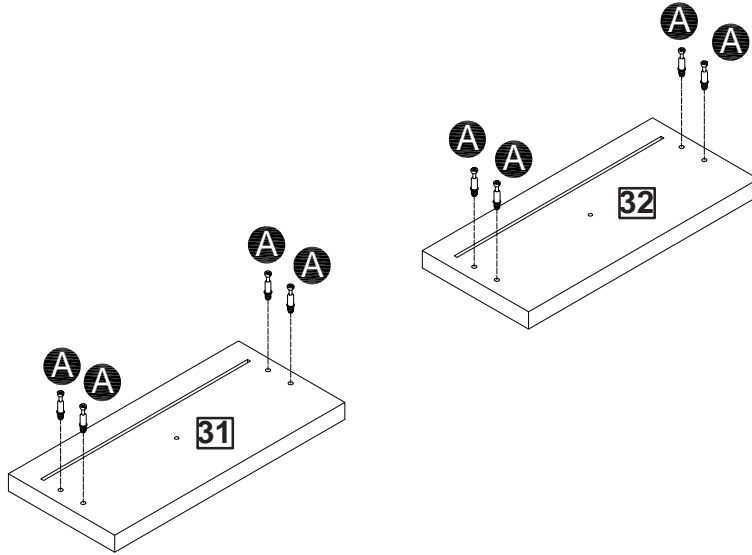
Assembly Instructions

Step 44

A



A x 8

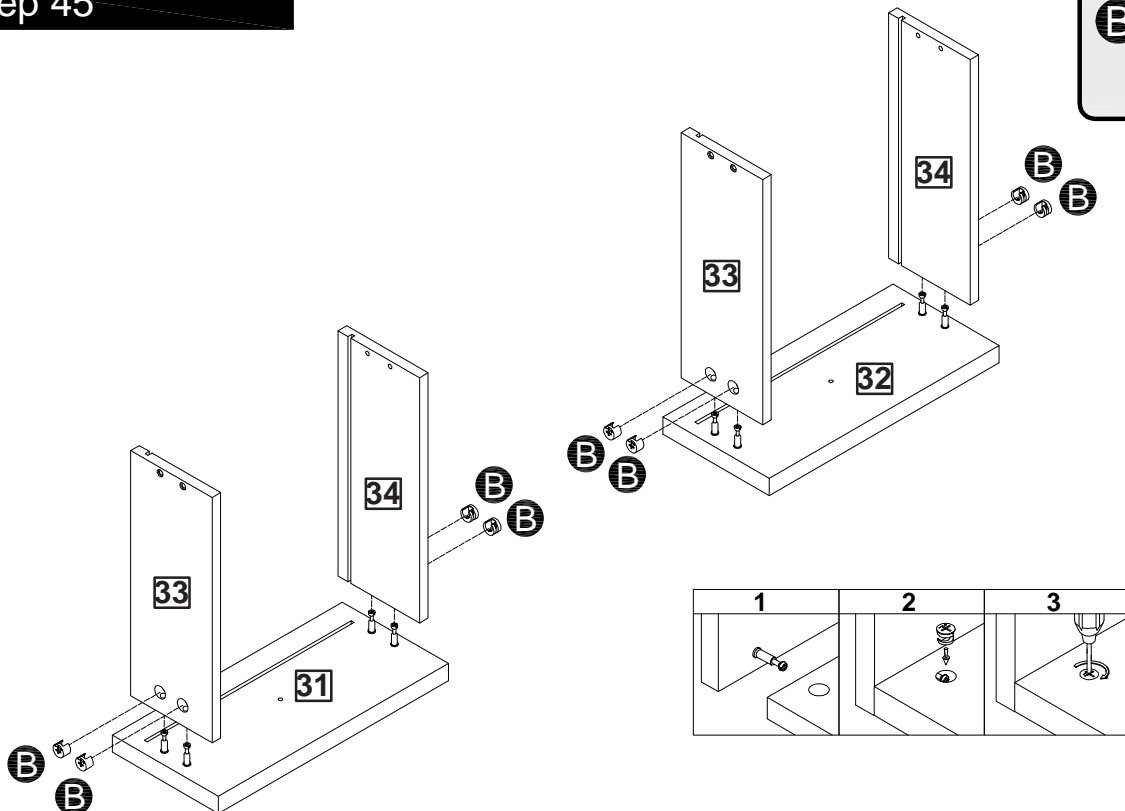


Step 45

B

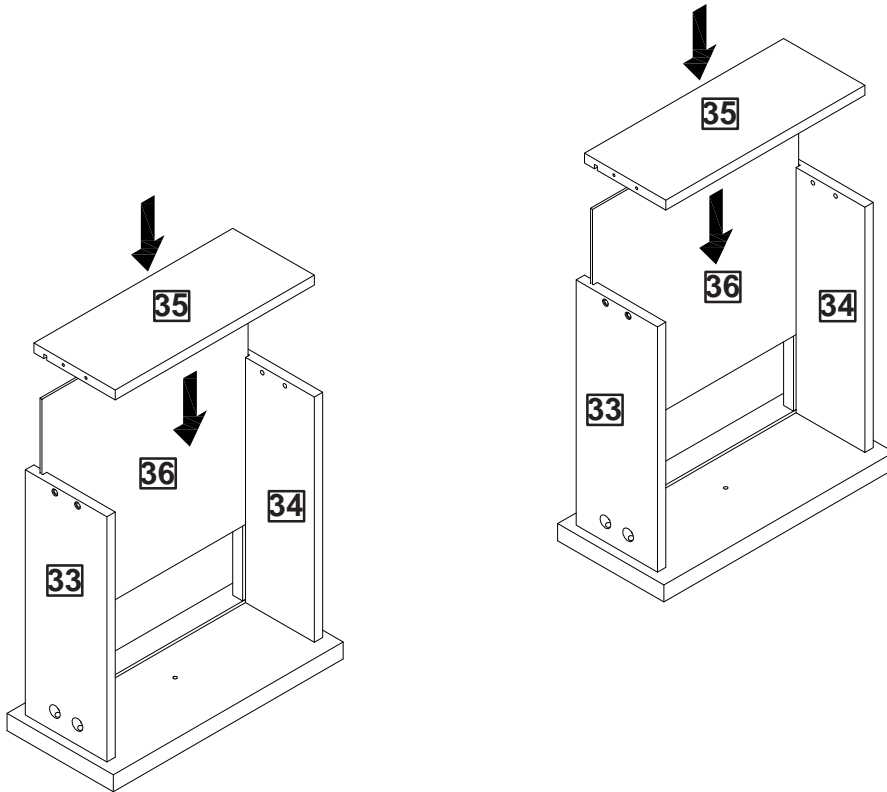


B x 8

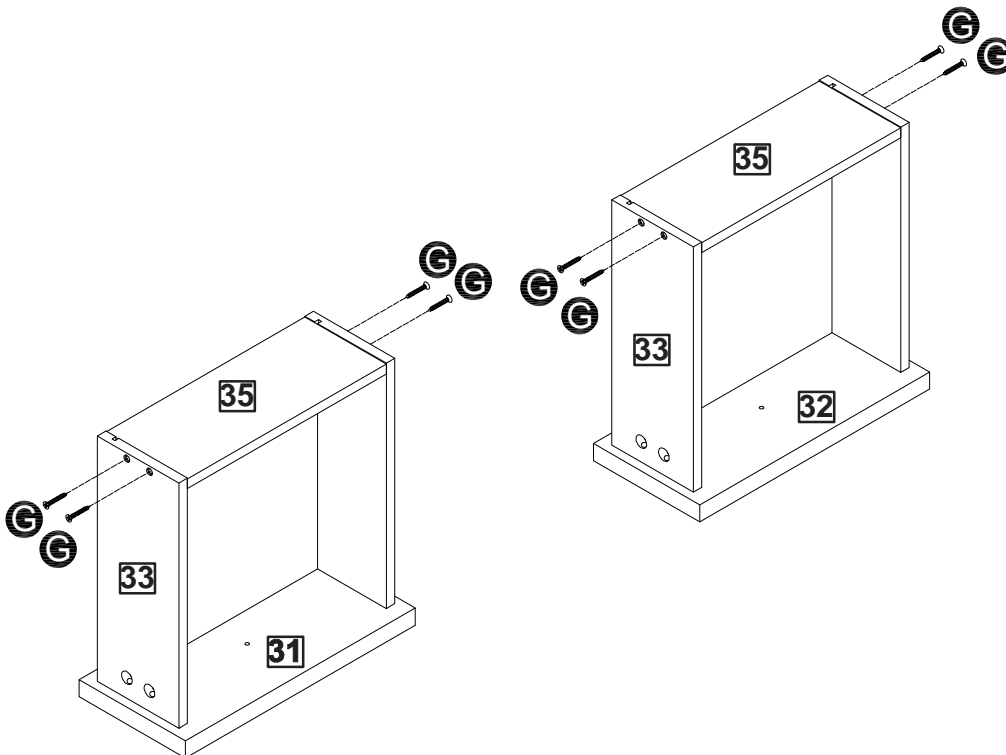


Assembly Instructions

Step 46

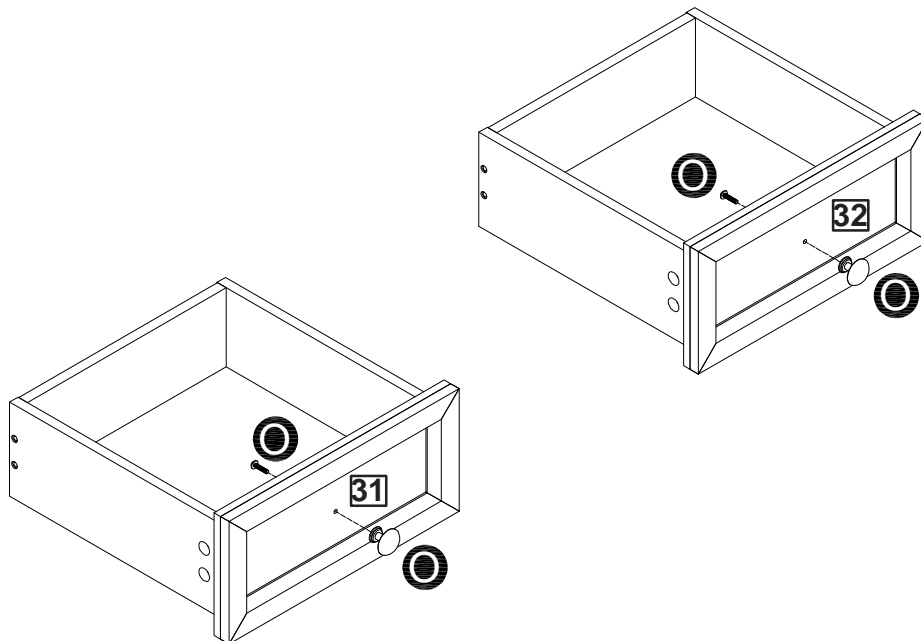
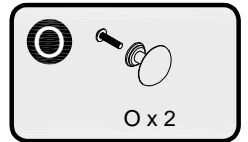


Step 47

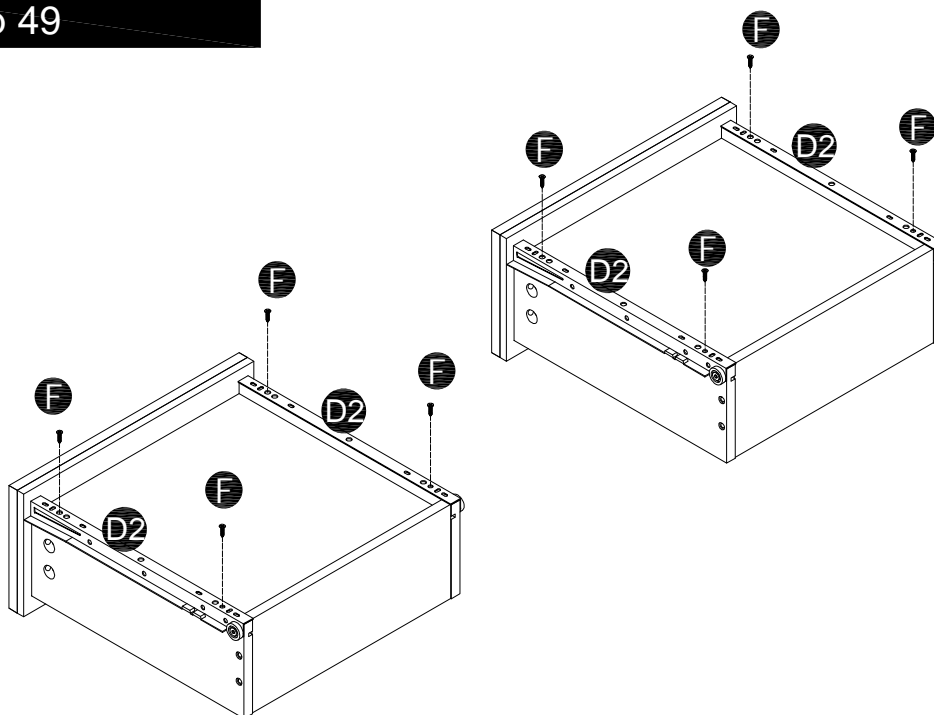
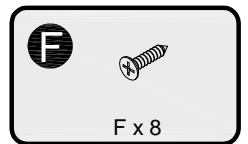


Assembly Instructions

Step 48



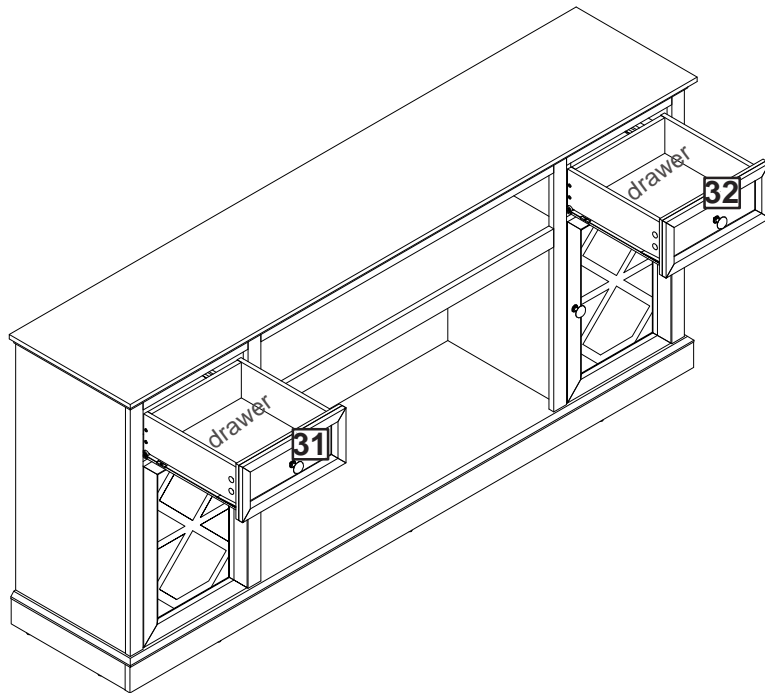
Step 49



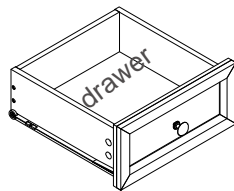
Assembly Instructions

Step 50

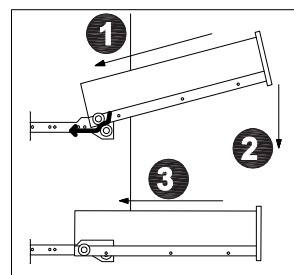
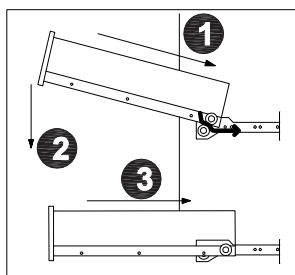
Congratulation! You've made to the last step! But don't be too thrilled yet, put on the drawer can be frustrating if you do it wrong. So, take your time and follow the steps below.



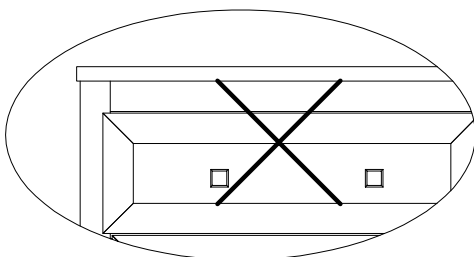
1. Make sure that you have right and left drawers sorted out first, because the drawer panel may cover the side if the right drawer is on the left side, vice versa.



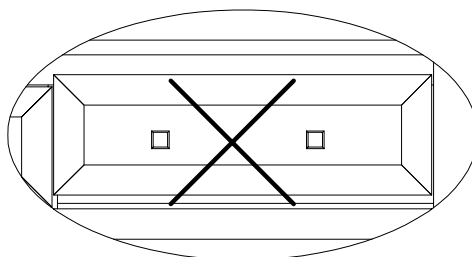
2. Please ensure that you have matched the wheels on BOTH sides of the drawer with the wheels on rails installed BEFORE push in the drawer.



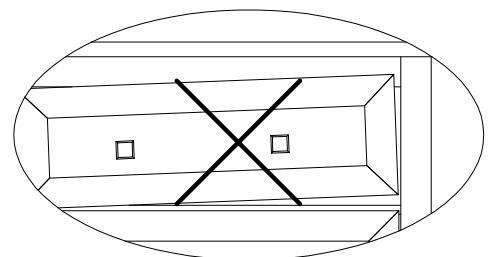
3. If the following occurs, redo the first two steps.



(drawer is on the wrong side)



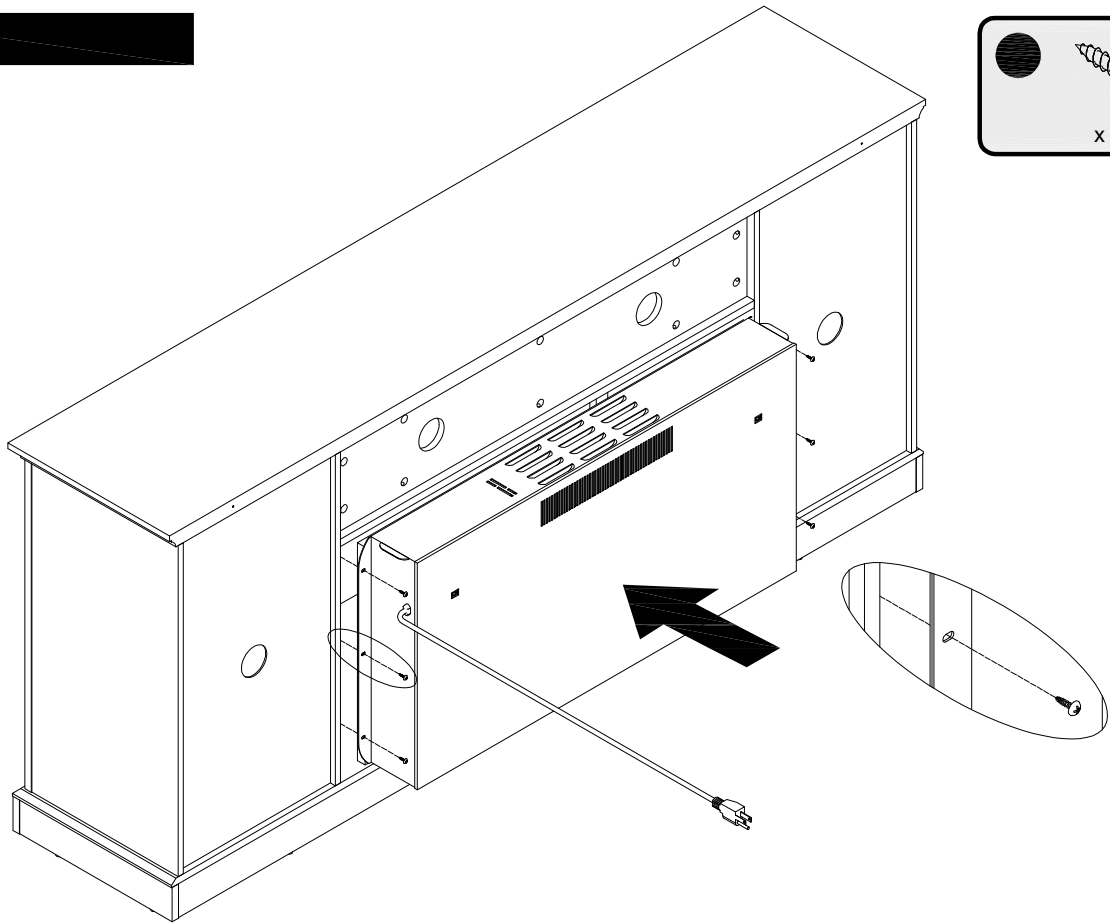
(both wheels are off the rails)



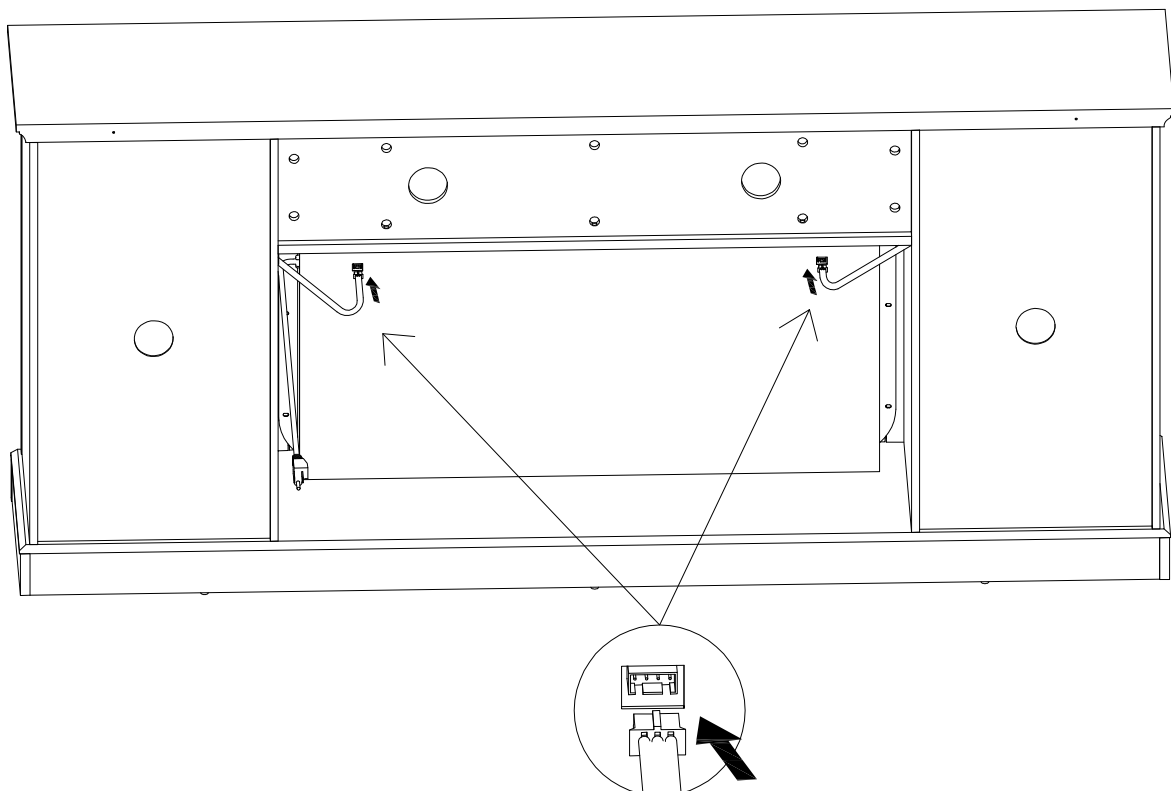
(one wheel is off the rail)

Assembly Instructions

Step 51

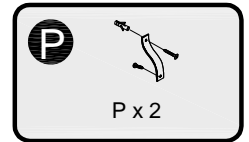


Step 52



Assembly Instructions

Step 53



The unit is floor standing, but it is recommended that the unit is secured to the wall.

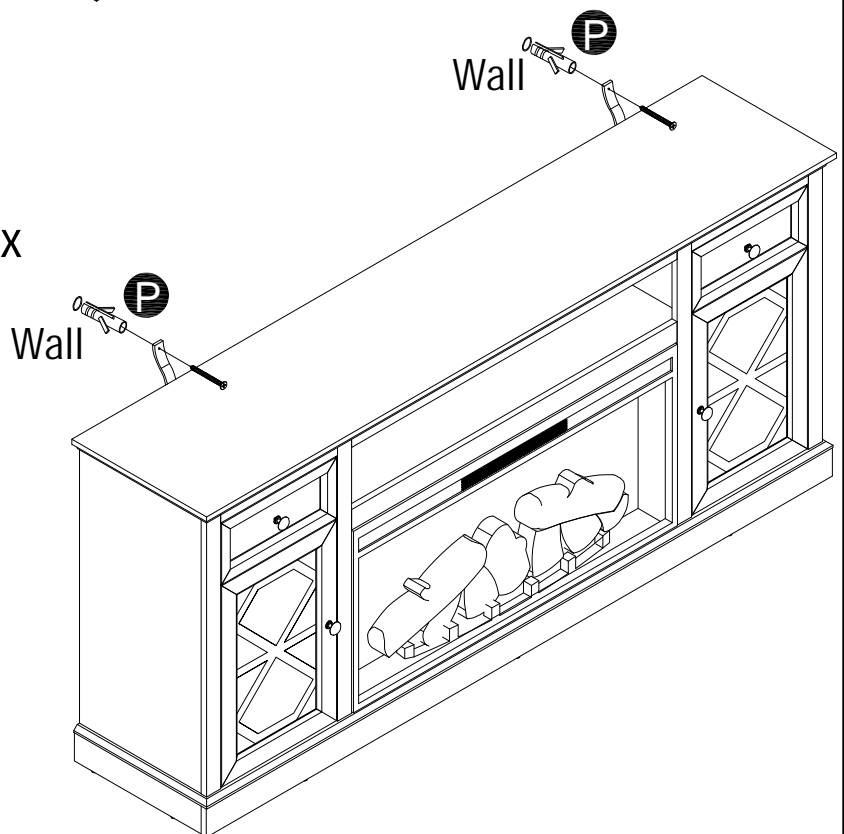
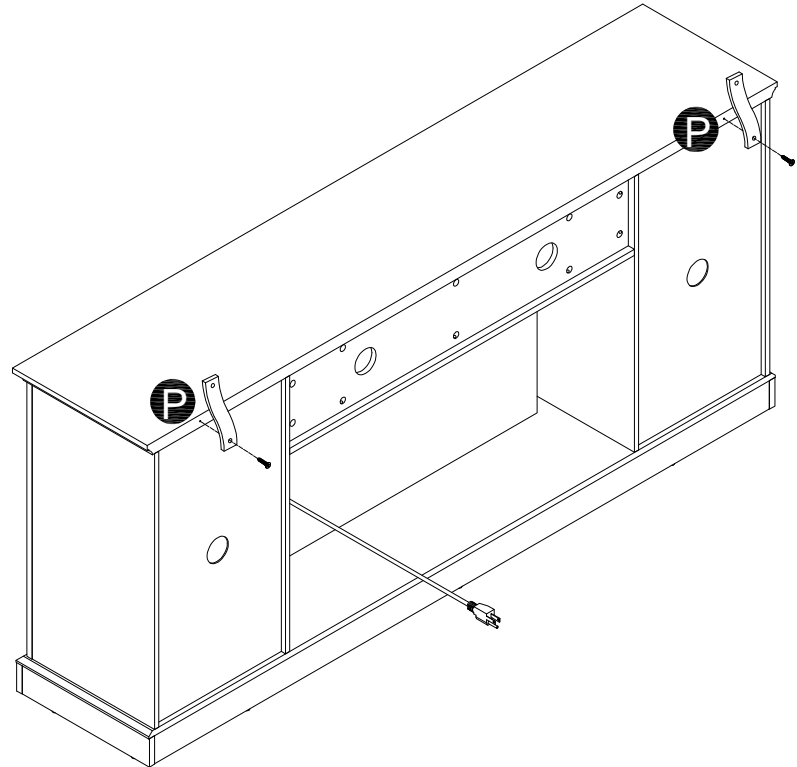
1. Move the unit into desired position.
2. Mark the wall with a suitable scribe the position of the fixing holes.



Warning:
Before drilling, check wall for hidden pipes and cables.

3. Drill holes and insert 2 x wall plug
4. Attach 2 x Wall Straps to to the top of the unit using 2 x Washers and 2 x Screws
5. Secure the straps to the wall using 2 x Washers and 2 x Screws

Note: To hide the straps behind the unit, drill the holes lower than the top of the unit



Assembly is complete.

A Guide to Wall Mounting & Fixings

Important note:

If plastic wall plugs (rawl plugs) are supplied with your product, e.g.:



- these are only suitable for use in masonry walls.

If you are in any doubt about the correct wall plugs for your wall, seek professional advice.


Failure of the product due to using the incorrect fixings is the responsibility of the installer.



Important: when drilling into walls always check that there are no hidden wires or pipes etc.

Make sure that the screws and wall plugs being used are suitable for supporting your unit. Consult a qualified tradesperson if you are unsure.

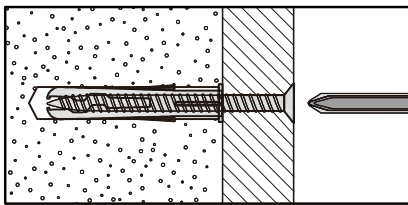
Hints:

- 1: General rule:  always use a larger screw and wall plug if you are not sure.
- 2: Ensure you use the recommended drill bit to match the wall plug and hole size.
- 3: Ensure you drill the hole horizontally; do not force the drill or enlarge the hole.
- 4: Take extra care when drilling high walls, ceilings and ceramic tiles. Ensure wall plugs are inserted beyond the thickness of the ceramic tiles to avoid the tiles splitting or cracking.
- 5: Ensure wall plugs are well fitted and are a tight fit in the drilled hole.

Types of walls

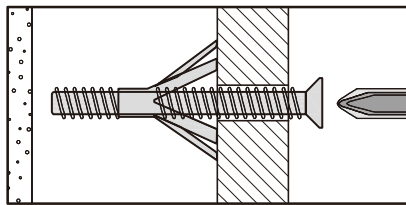
You can use one of the following types of wall plug if your walls are made of brick, breeze block, concrete, stone or wood.

No.1 "General Purpose" wall plug



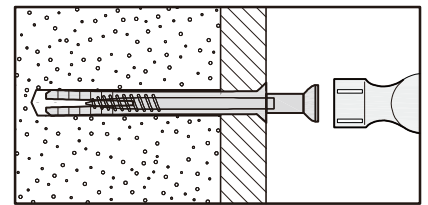
Generally aerated blocks should not be used to support heavy loads, use a specialist fitting in this case. For light loads, general purpose wall plugs can be used.

No.3 "Cavity Fixing" wall plug



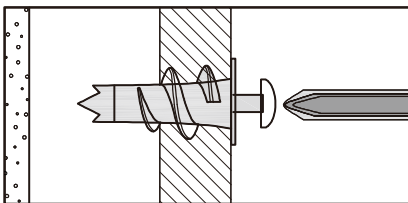
For use with plasterboard partitions or hollow wooden doors.

No.5 "Hammer Fixing" wall plug



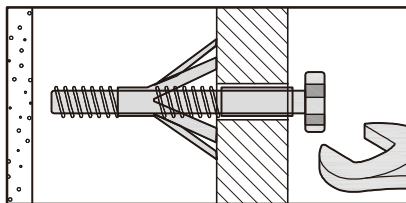
For use with walls stuck with plasterboard. The hammer fixing allows it to be fixed to the wall rather than the plasterboard. Always check the fixing is secure to the retaining wall.

No.2 "Plasterboard" wall plug



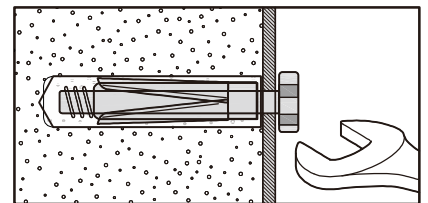
For use when attaching light loads onto plasterboard partitions.

No.4 "Cavity Fixing - Heavy Duty" wall plug



For use when fitting or supporting heavy loads such as shelving, wall cabinets and coat racks.

No.6 "Shield Anchor" wall plug - heavy loads



For use with heavier loads such as TV and HiFi speakers and satellite dishes etc.



Care & Maintenance

Safety: always check the fitting and location to ensure your safety in and around the home.

Fitting: from time to time check the fitting to ensure the wall plugs or screws do not become loose.