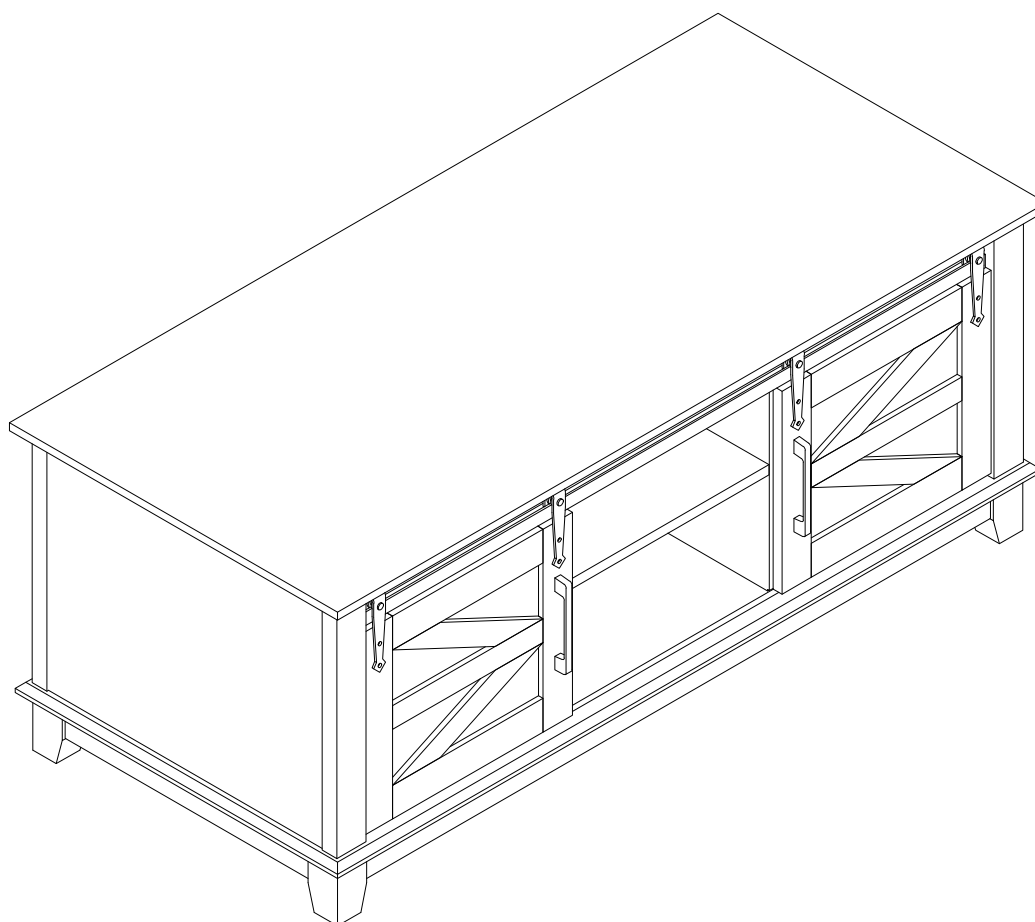


Coffee Table

Assembly Instructions - Please keep for future reference

1061030292B

1061030293B



Dimensions

Width - 47.6inch

Depth - 22inch

Height - 19inch

Important – Please read these instructions fully before starting assembly



Safety and Care Advice

Important – Please read these instructions fully before starting assembly

- Check you have all the components and tools listed on the following pages.
- Remove all fittings from the plastic bags and separate them into their groups.
- Keep children and animals away from the work area, small parts could choke if swallowed.
- Make sure you have enough space to layout the parts before starting.

- During assembly do not stand or put weight on the product, this could cause damage.
- Assemble the item as close to its final position (in the same room) as possible.
- Assemble on a soft level surface to avoid damaging the unit or your floor.
- Parts of the assembly will be easier with 2 people.



- To reduce the likelihood of damaging your product please ensure that your power drill is set on a low torque setting.

Care and maintenance

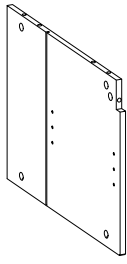
- Only clean using a damp cloth and mild detergent, do not use bleach or abrasive cleaners.
- From time to time check that there are no loose screws on this unit.
- This product should not be discarded with household waste. Take to your local authority waste disposal centre.

Handy Hints

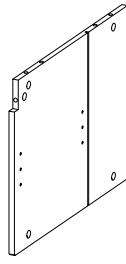
- Assemble all parts and bolts loosely during assembly, only once the product is complete should you fully tighten the bolts
- Regularly check and ensure that all bolts and fittings are tightened properly.

Components - Panels

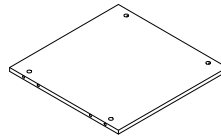
Please check you have all the panels listed below



1 (470X360X12mm)X1



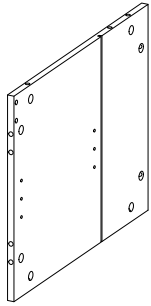
2 (470X360X12mm)X1



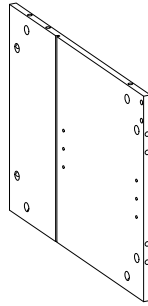
3 (355X368X15mm)X1



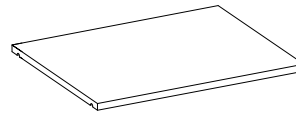
4 (1143X60X31mm)X1



5 (470X360X12mm)X1



6 (470X360X12mm)X1



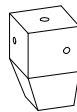
7 (381X300X12mm)X2



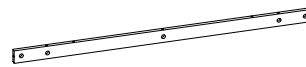
8 (360X50X25mm)X4



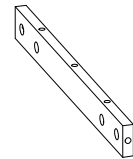
9 (1200X550X15mm)X1



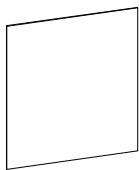
10 (85X50X50mm)X4



11 (1070X45X15mm)X2



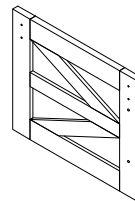
12 (420X45X15mm)X2



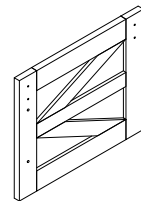
13 (370X392X2.7mm)X2



14 (1210X560X25mm)X1



15 (300X357X15mm)X1





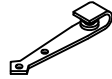





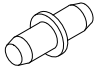


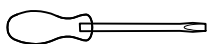
16 (300X357X15mm)X1

Components - Fittings

Please check you have all the panels listed below

Note: The quantities below are the correct amount to complete the assembly. In some cases more fittings may be supplied than are required.

A  Male Camlock x 54	B  Female Camlock x54	C  Dowel x 44
D  4*14mm Screw x 24	E  Pulley x 4	F  Plate x 4
G  Handle & Fixings x 2	H  Adjustable Foot x 2	I  Protective Feet x 4
J  6*30mm Screw x4	K  Shelf Support Pin x 8	



Tools required



Phillips screwdriver
(medium & large)

Ruler - Use this ruler to help correctly identify the screws



The screws length is measured from the head to the point (30mm screw shown).

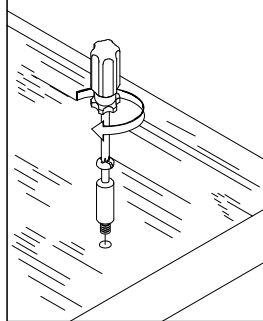
Using Camlocks

Step 1

Connect the male camlock as directed in the assembly instructions using a screwdriver.

1

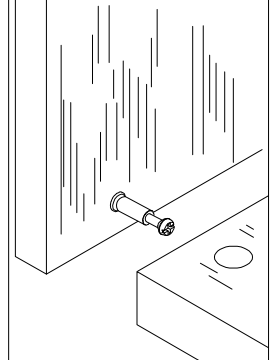
DO NOT OVER TIGHTEN.
NE PAS SERRER EXCESSIVEMENT.



Step 2

Push the male camlock into the entry hole.

2

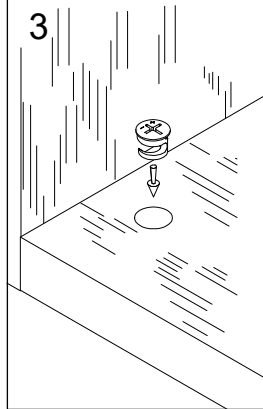


Step 3

Insert the female camlock as shown in the instruction.

Note: ensure that the arrow on the top of the camlock points towards the entry hole for the male camlock.

3



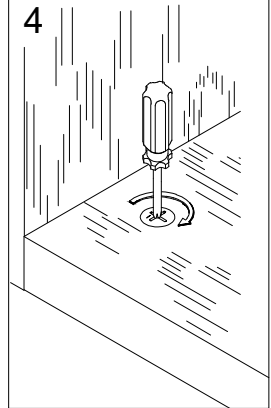
Step 4

Turn the female camlock clockwise with a screwdriver.

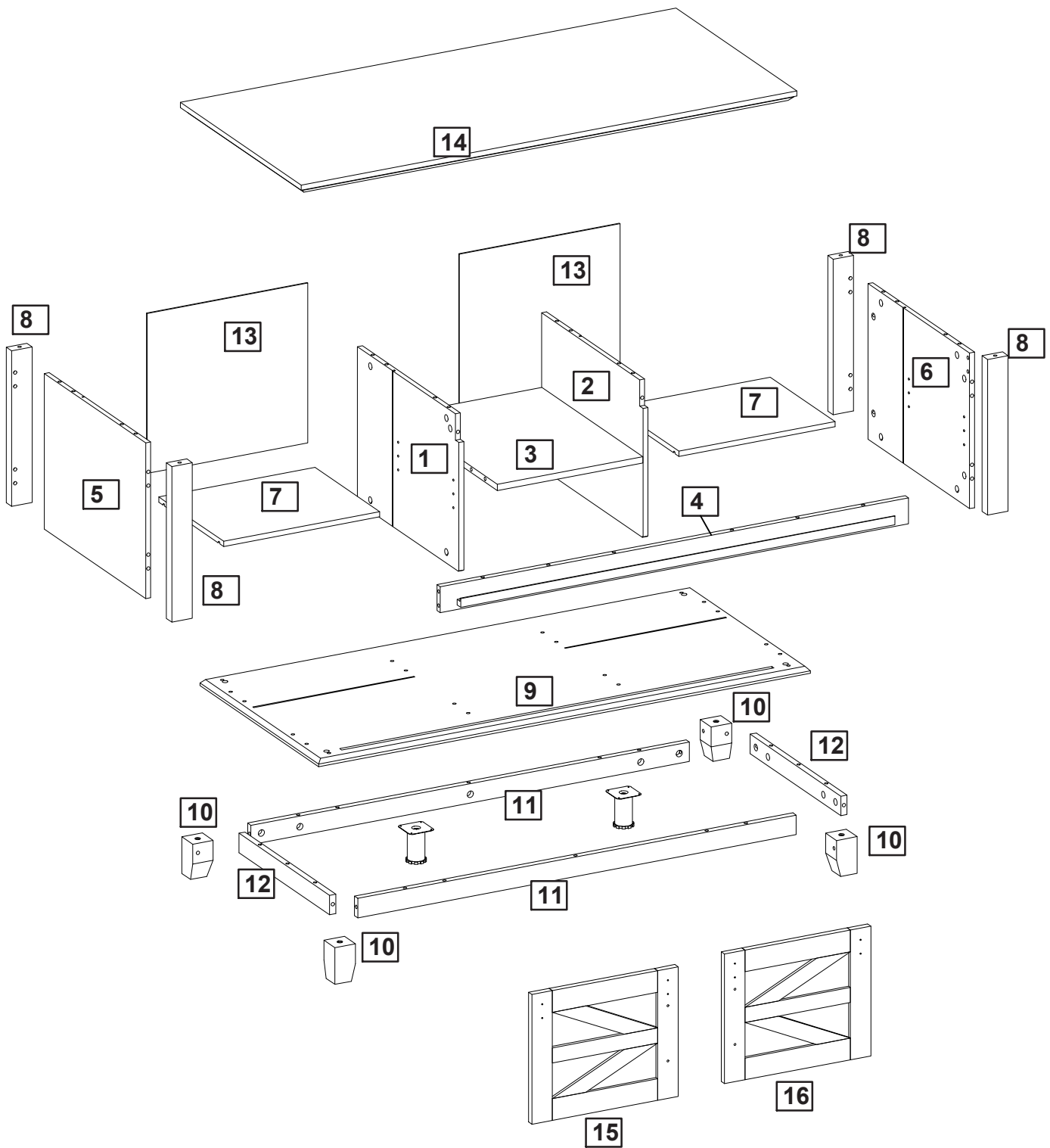
You should feel a click when the camlock is locked in place.

The joint is now secure.

4



Assembly Instructions



Assembly Instructions

Step 1

A

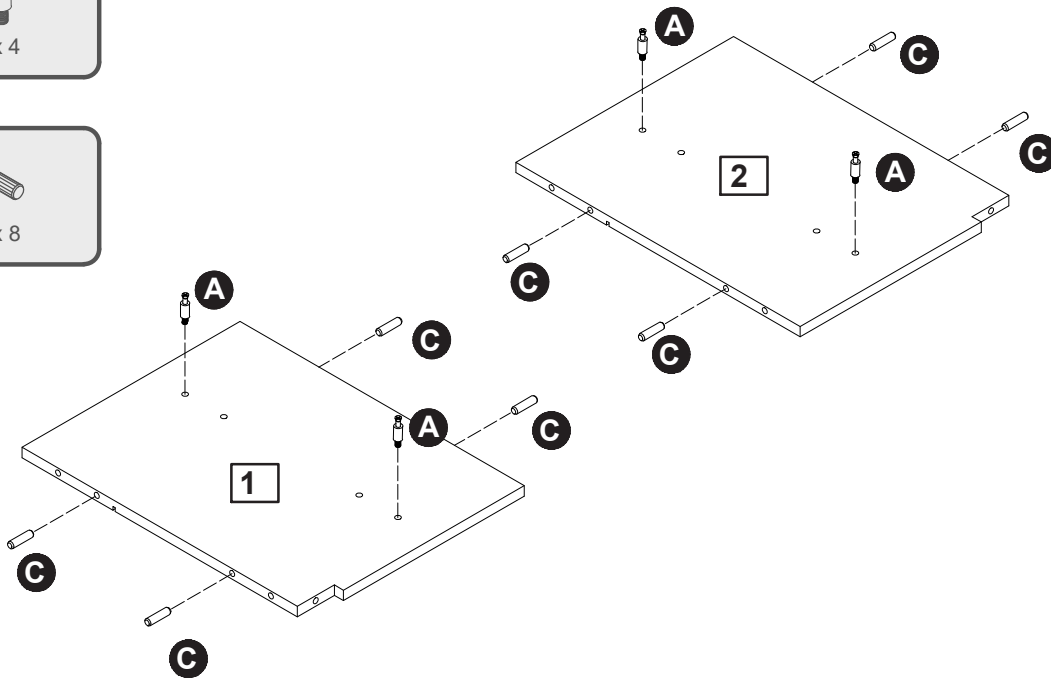


A x 4

C



C x 8

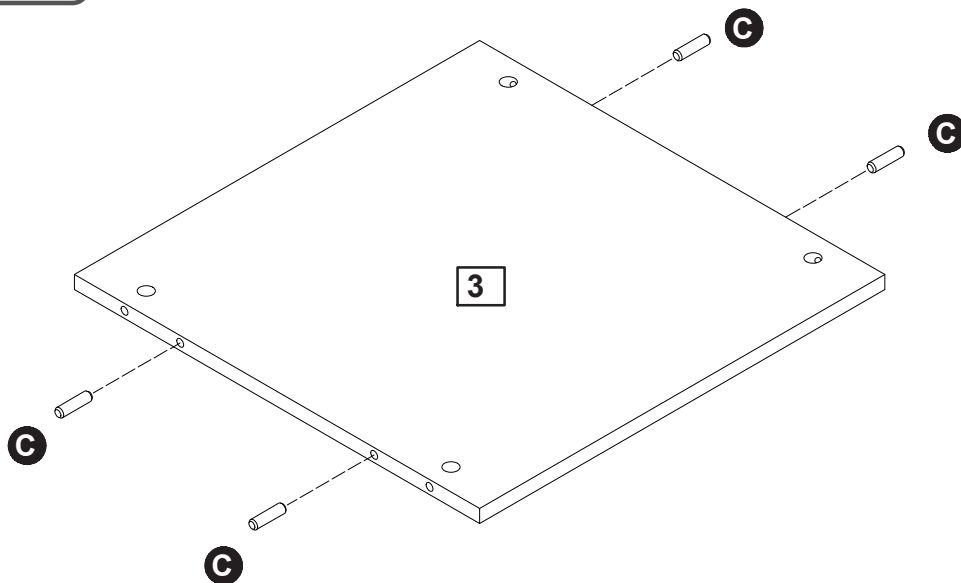


Step 2

C

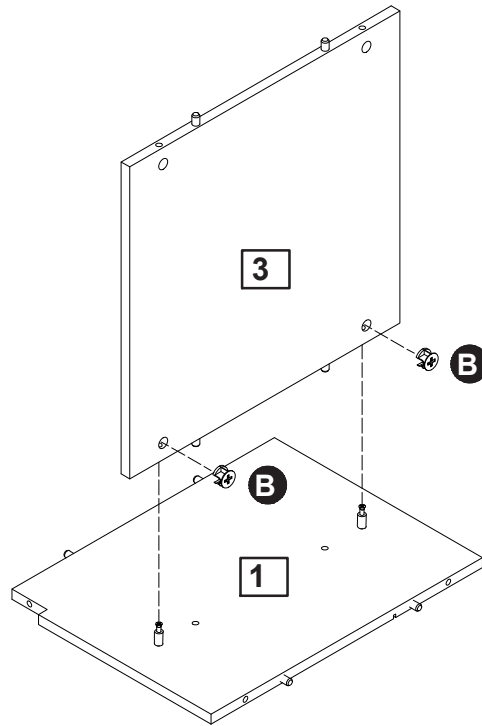
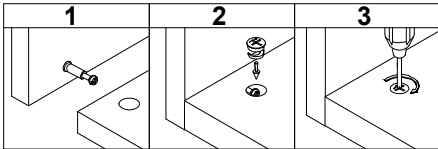


C x 4

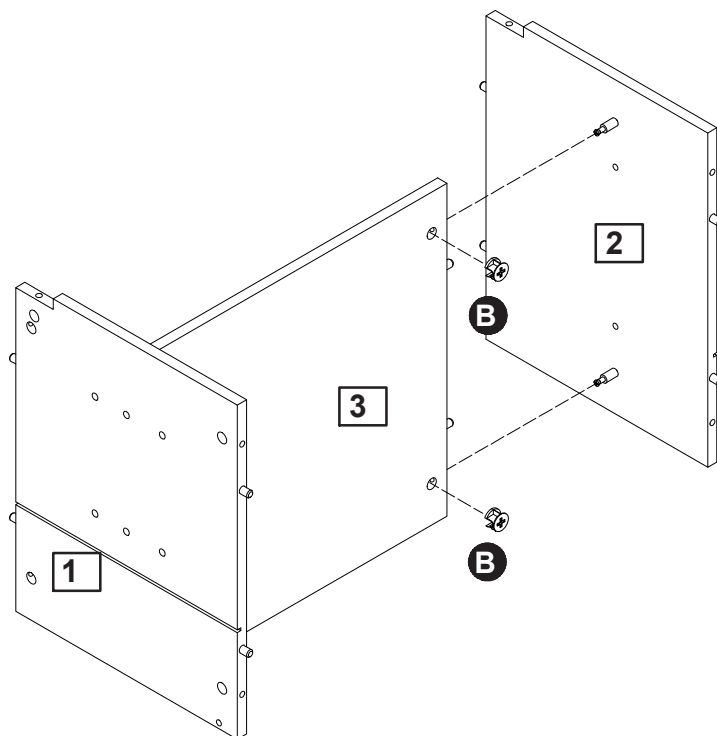
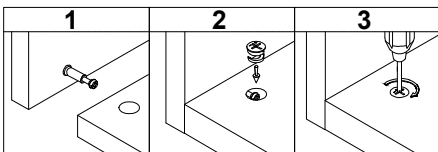


Assembly Instructions

Step 3

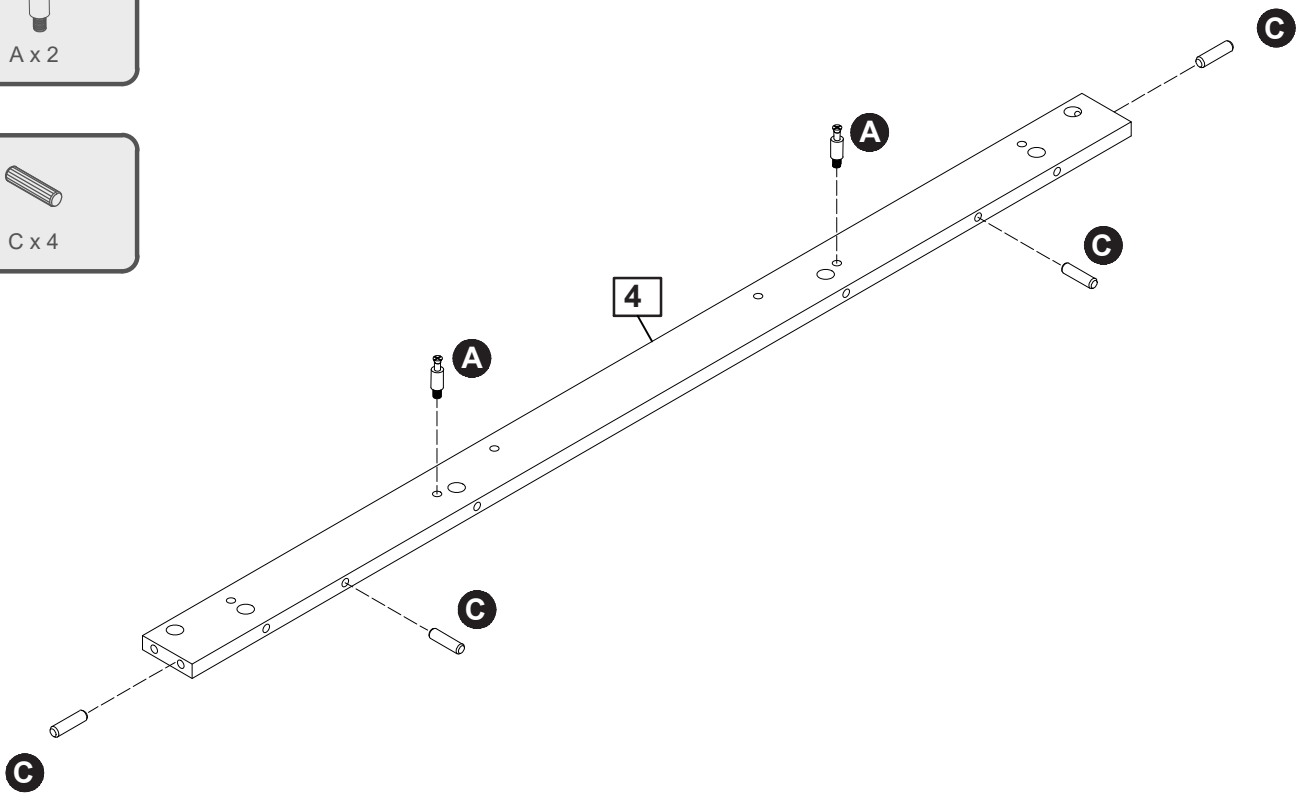
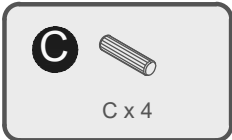
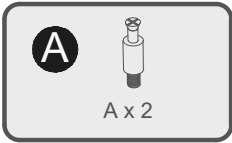


Step 4

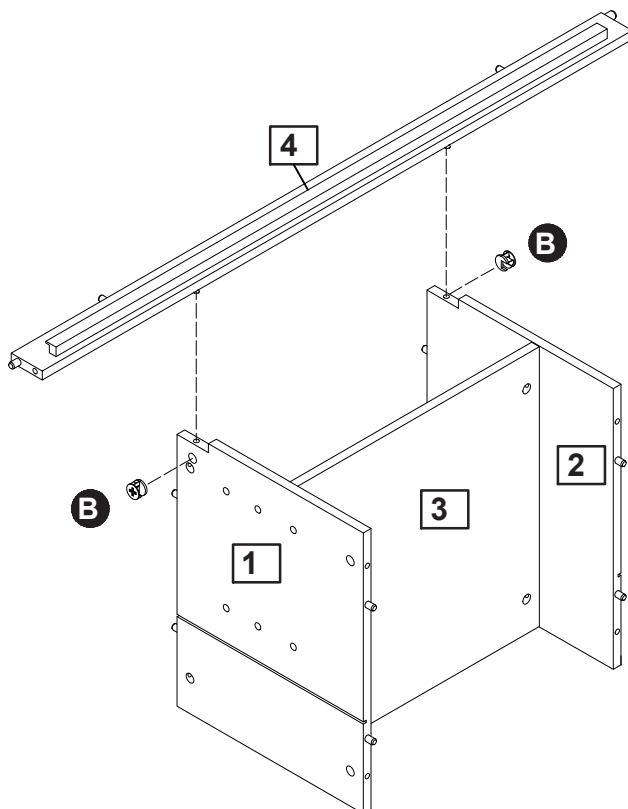
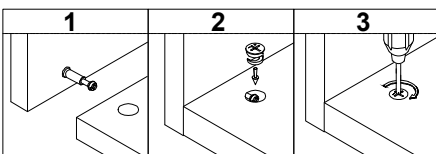


Assembly Instructions

Step 5

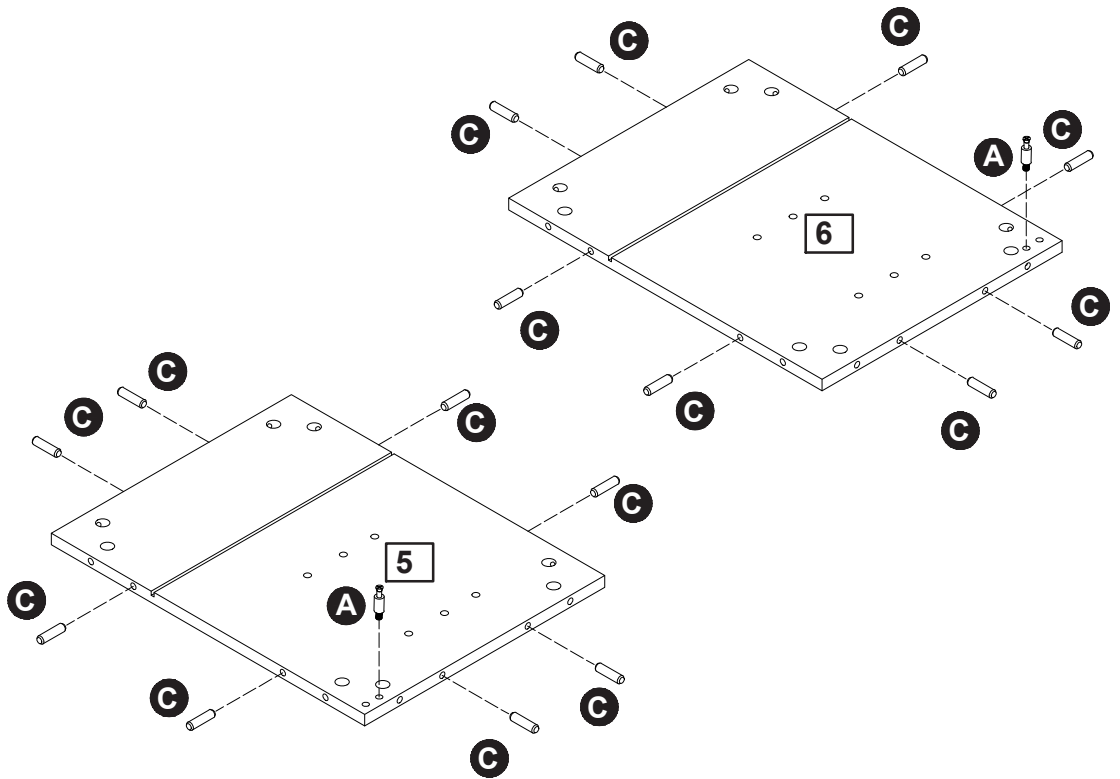
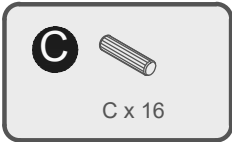
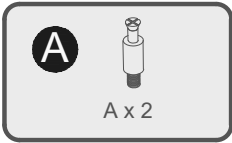


Step 6

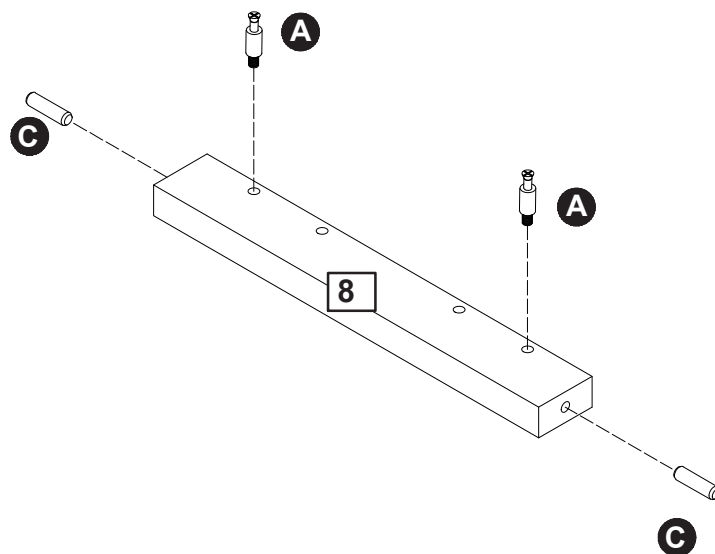
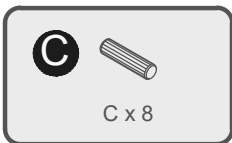
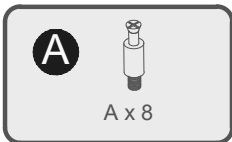


Assembly Instructions

Step 7



Step 8



X4

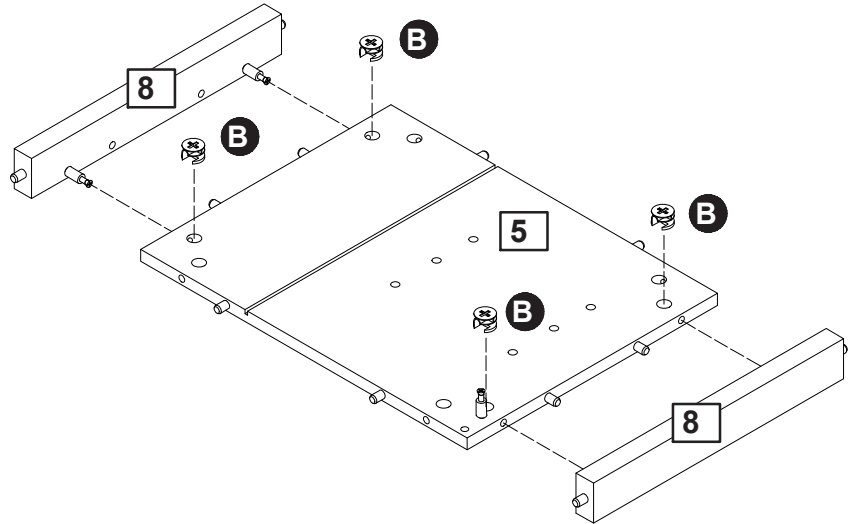
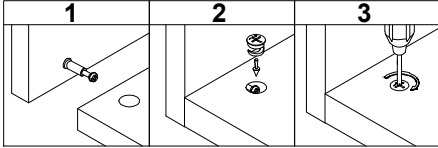
Assembly Instructions

Step 9

B



B x 4

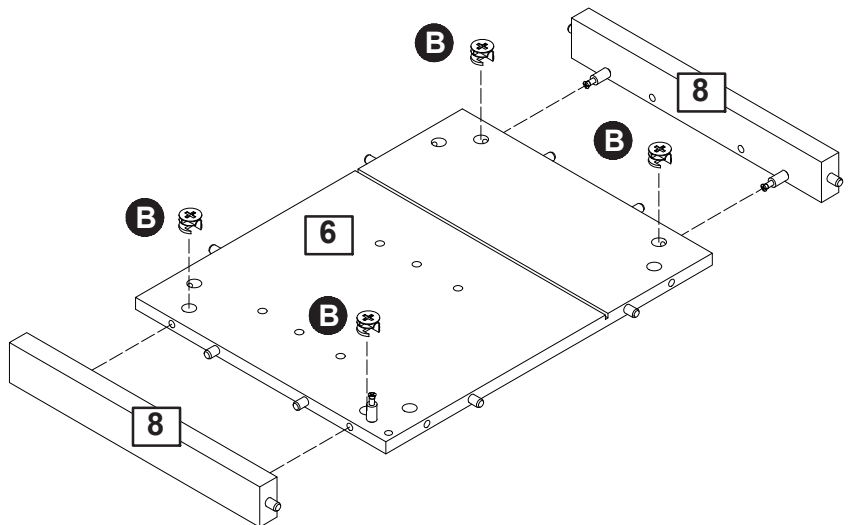
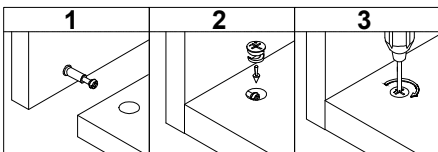


Step 10

B

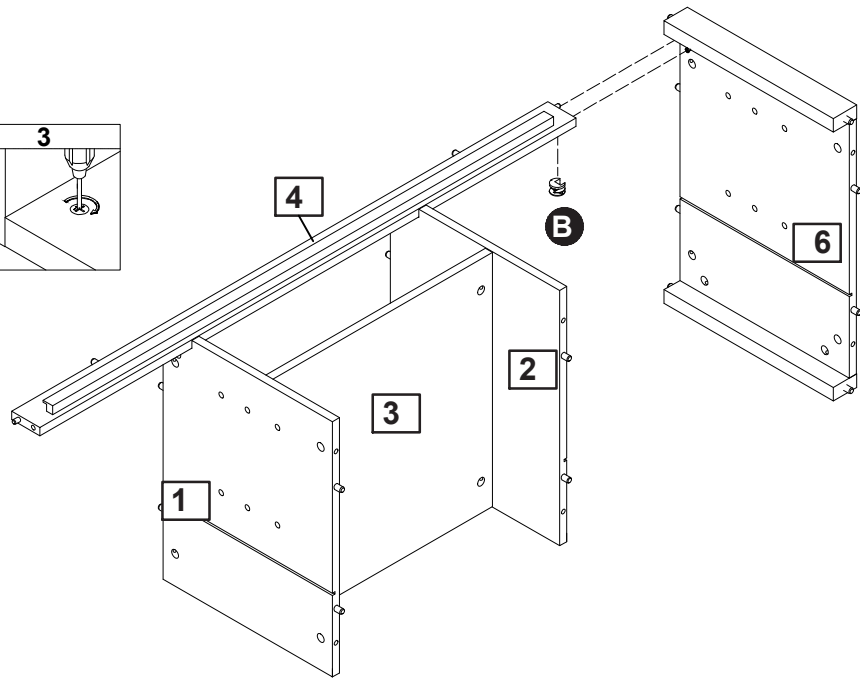
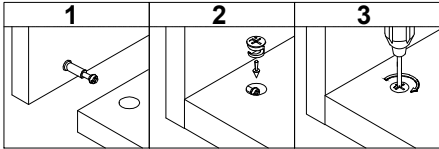
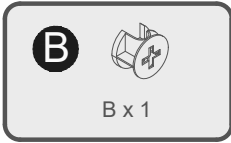


B x 4

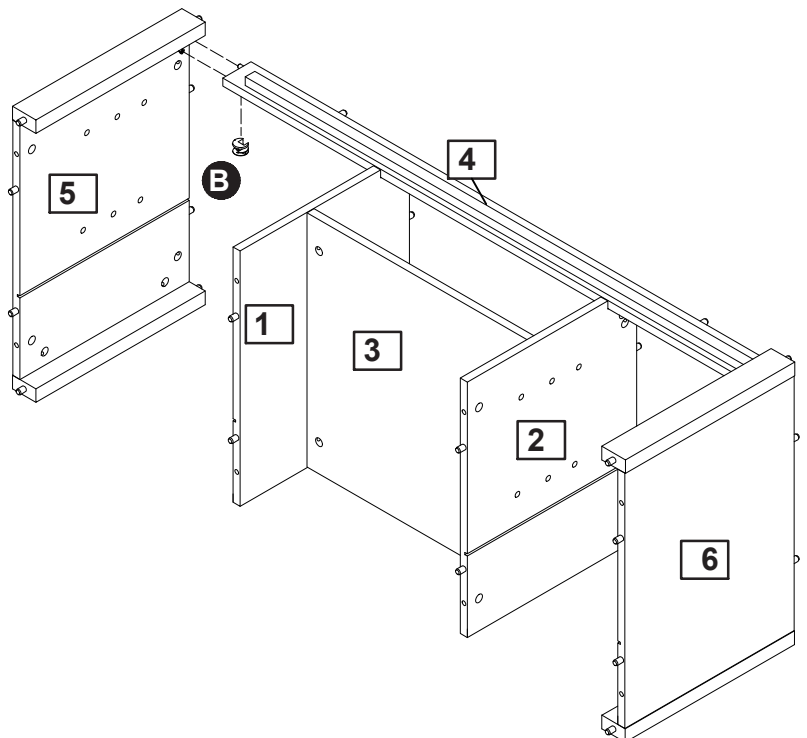
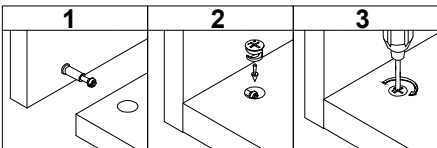


Assembly Instructions

Step 11

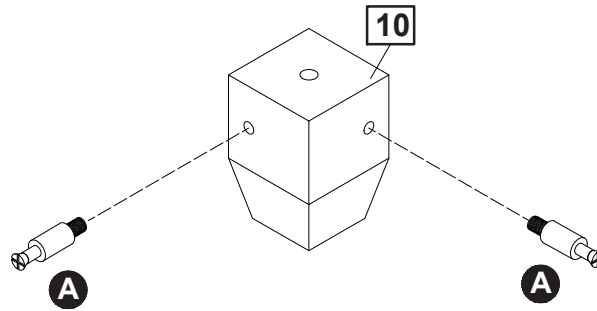
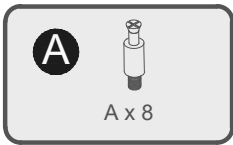


Step 12



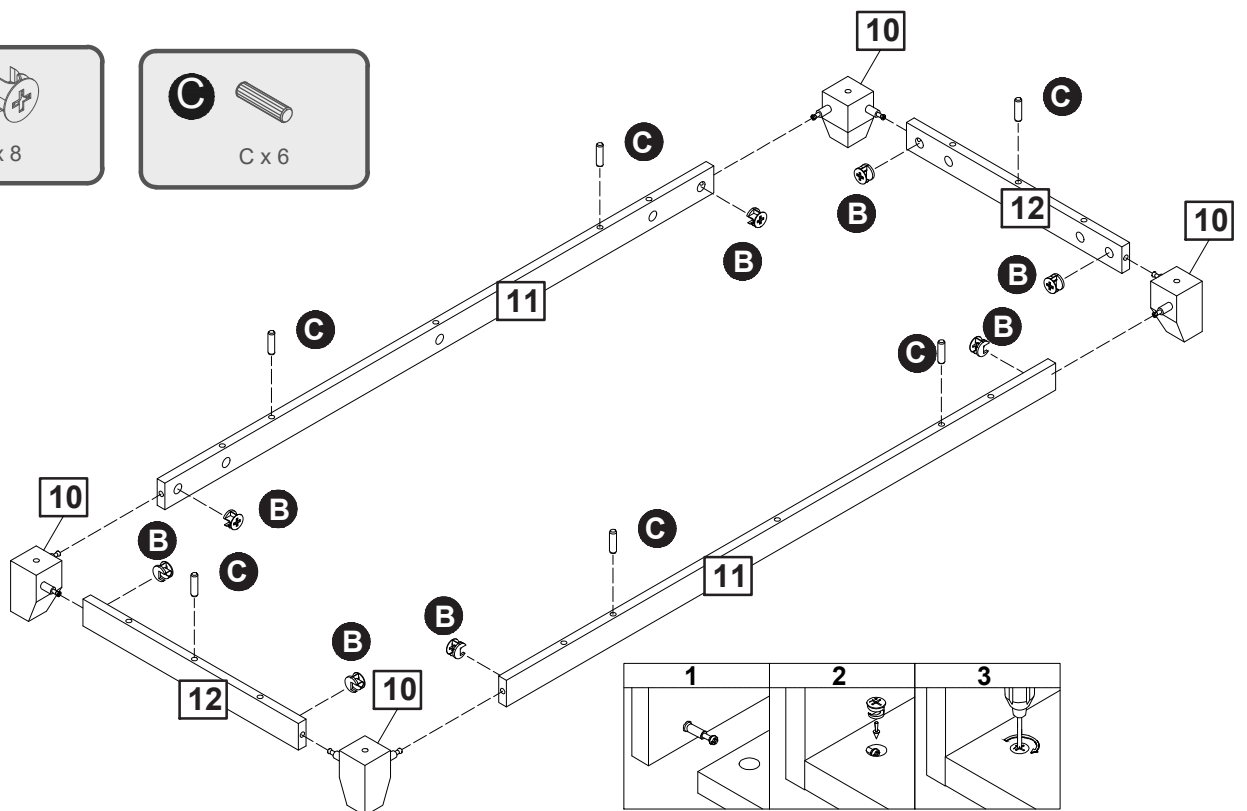
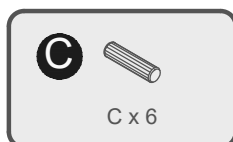
Assembly Instructions

Step 13



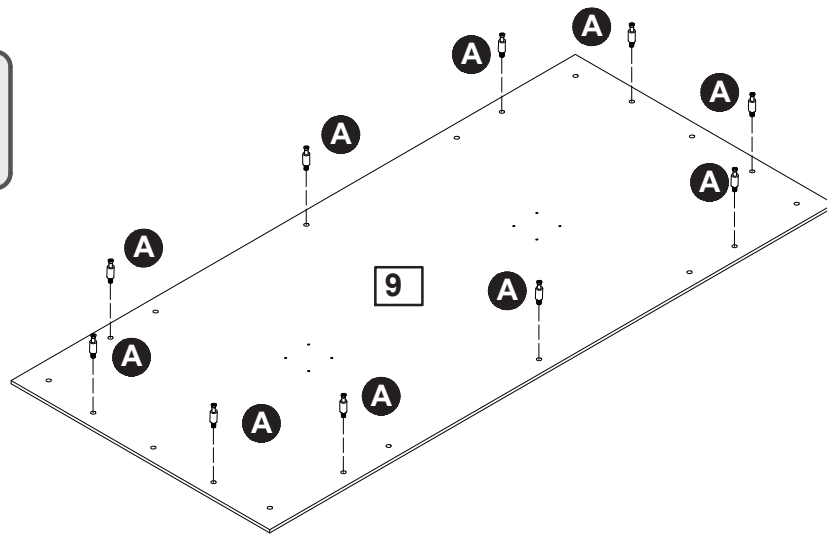
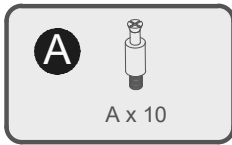
X4

Step 14

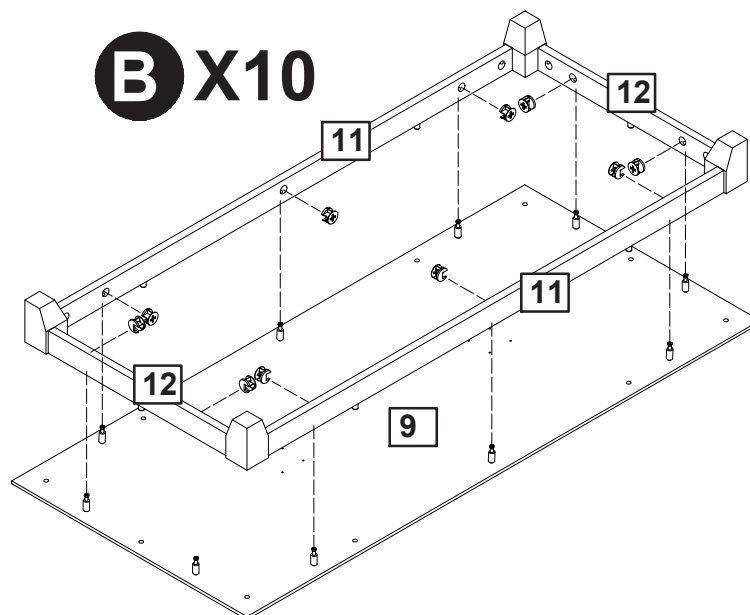


Assembly Instructions

Step 15

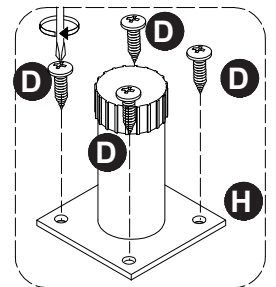
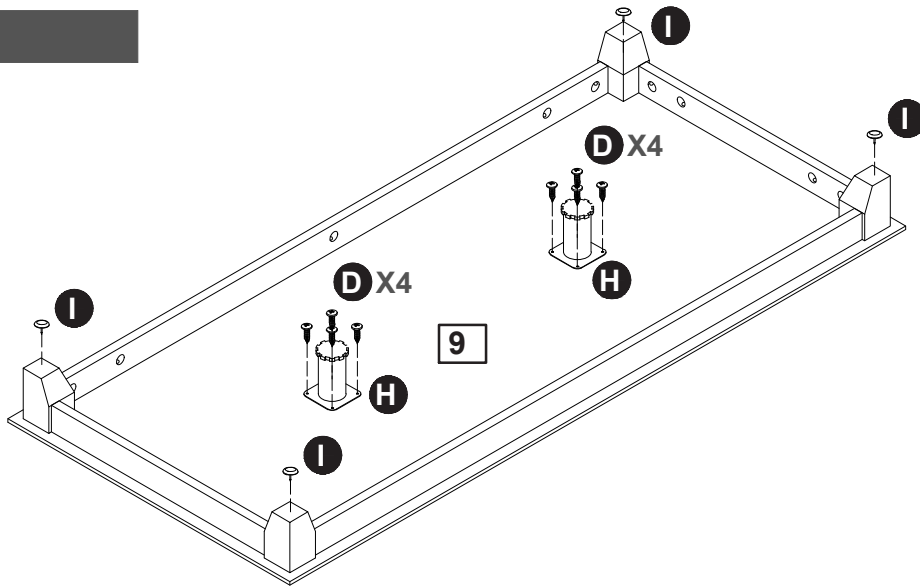
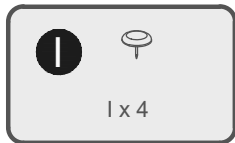


Step 16

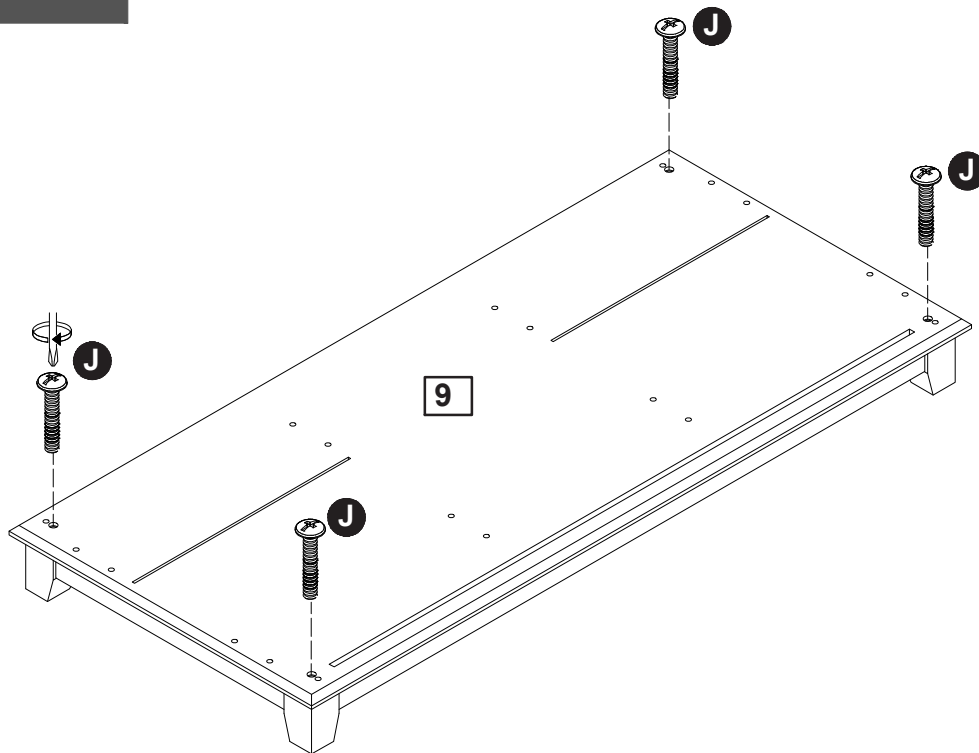


Assembly Instructions

Step 17

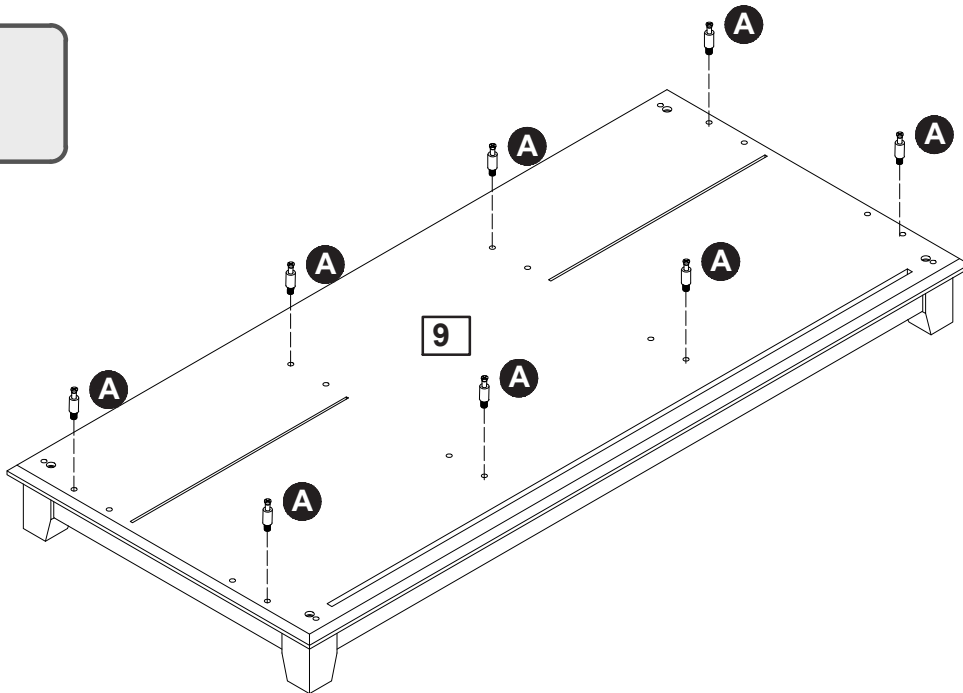
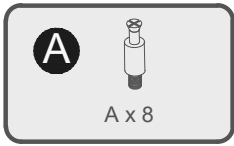


Step 18

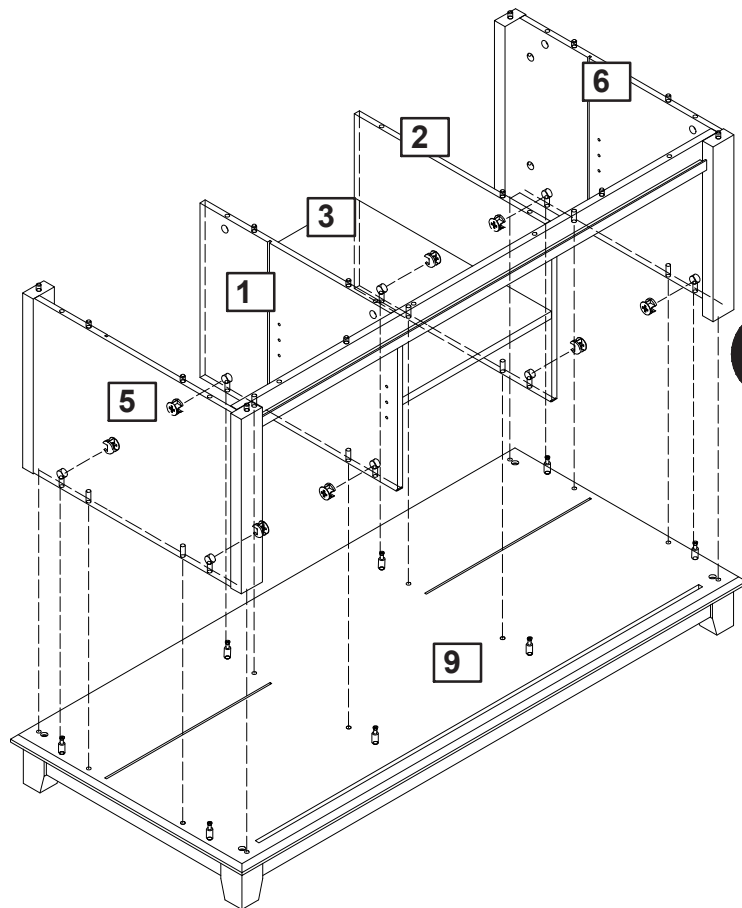
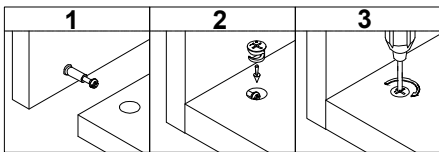
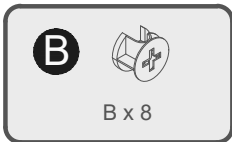


Assembly Instructions

Step 19

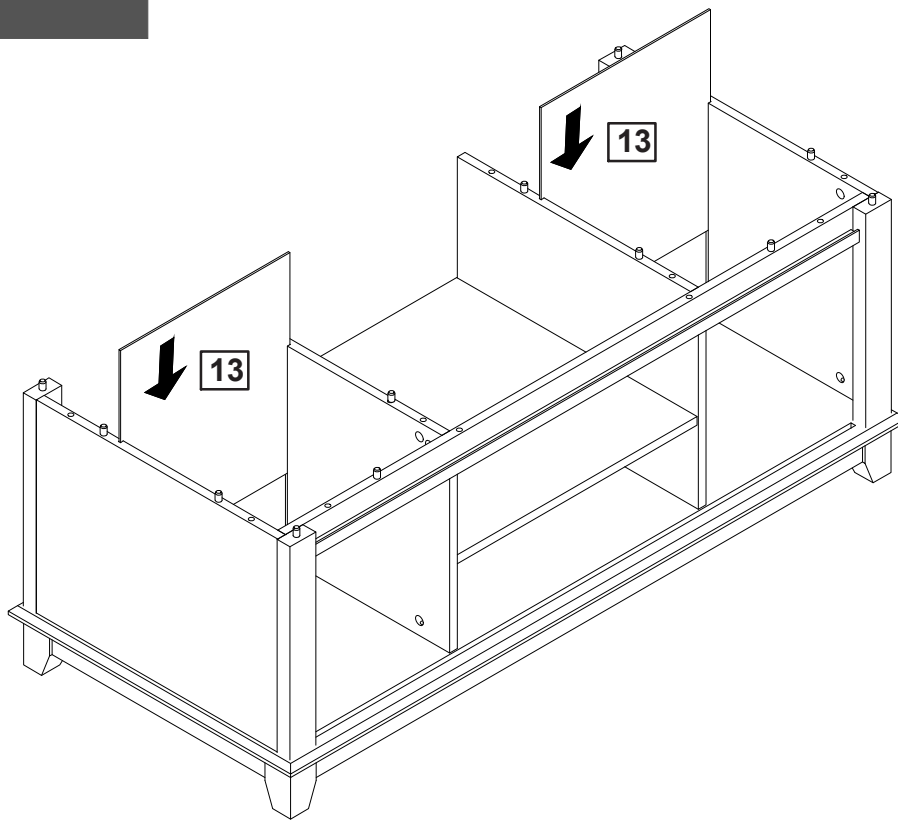


Step 20

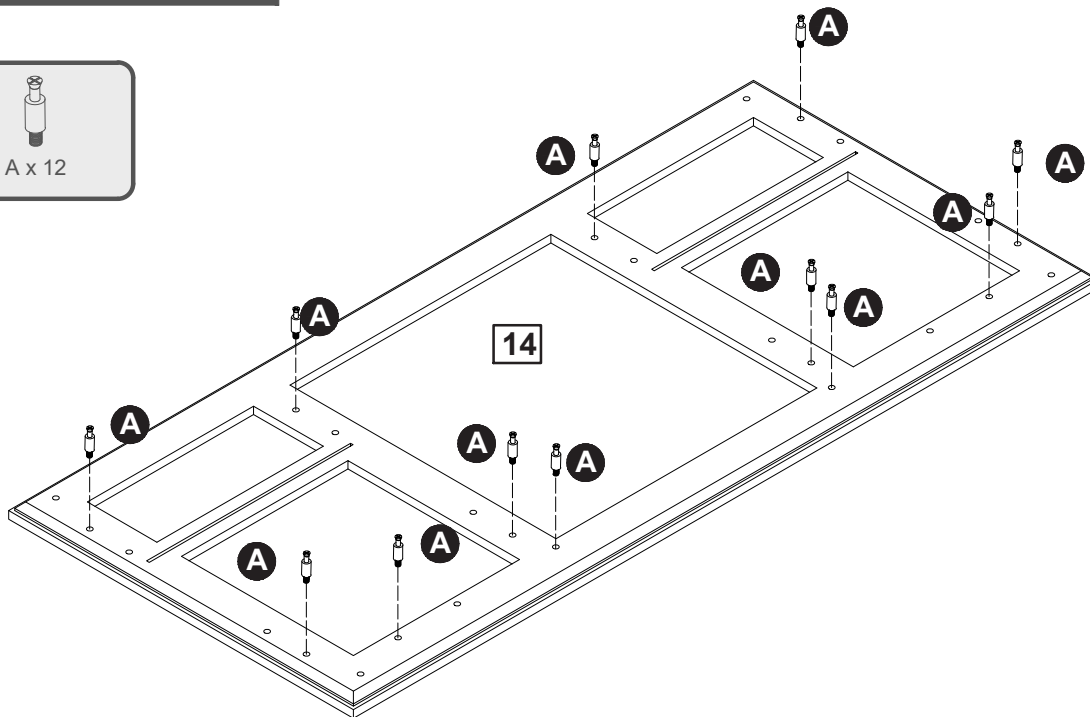
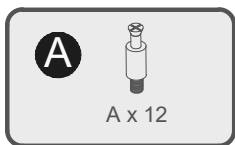


Assembly Instructions

Step 21

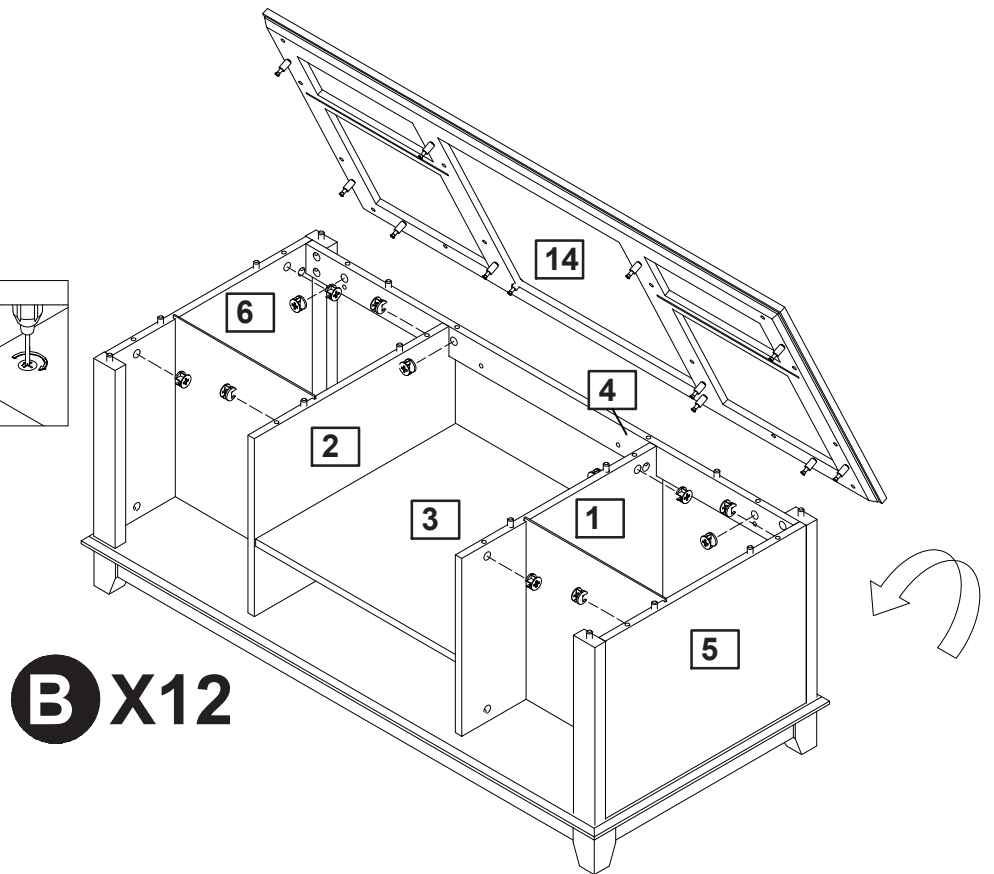
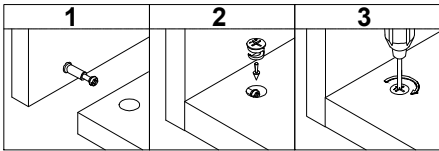


Step 22

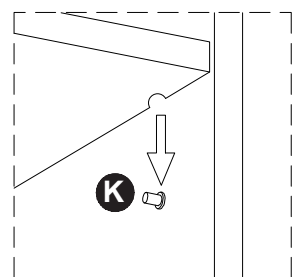
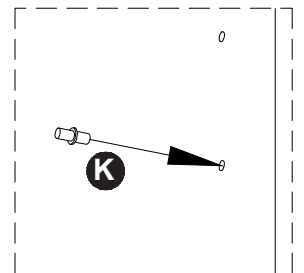
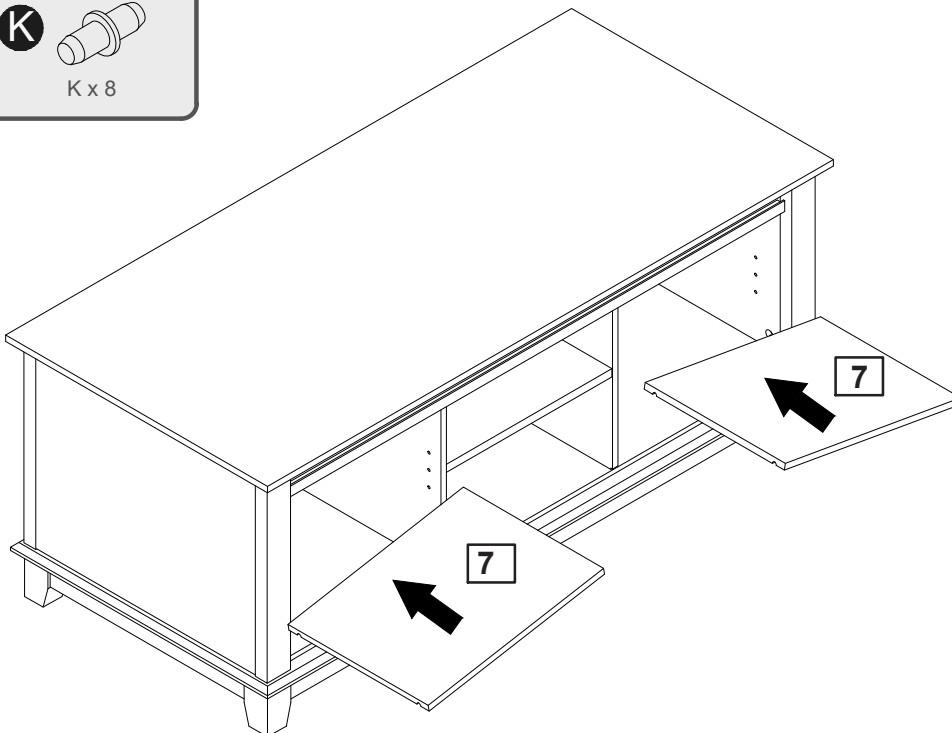
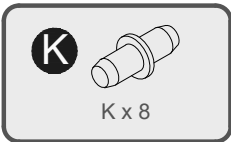


Assembly Instructions

Step 23

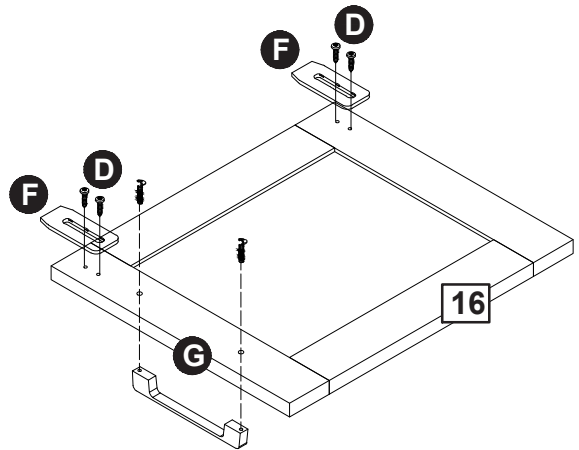
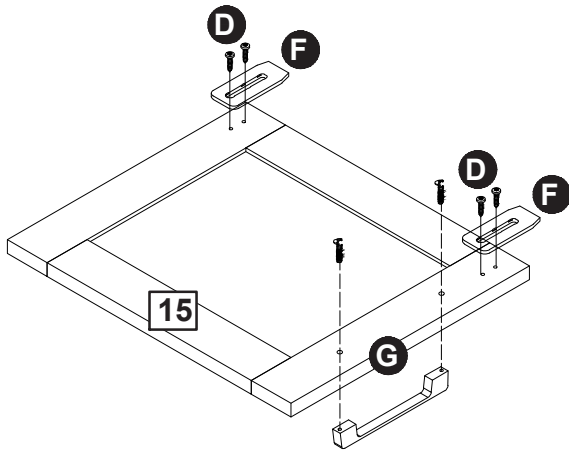


Step 24

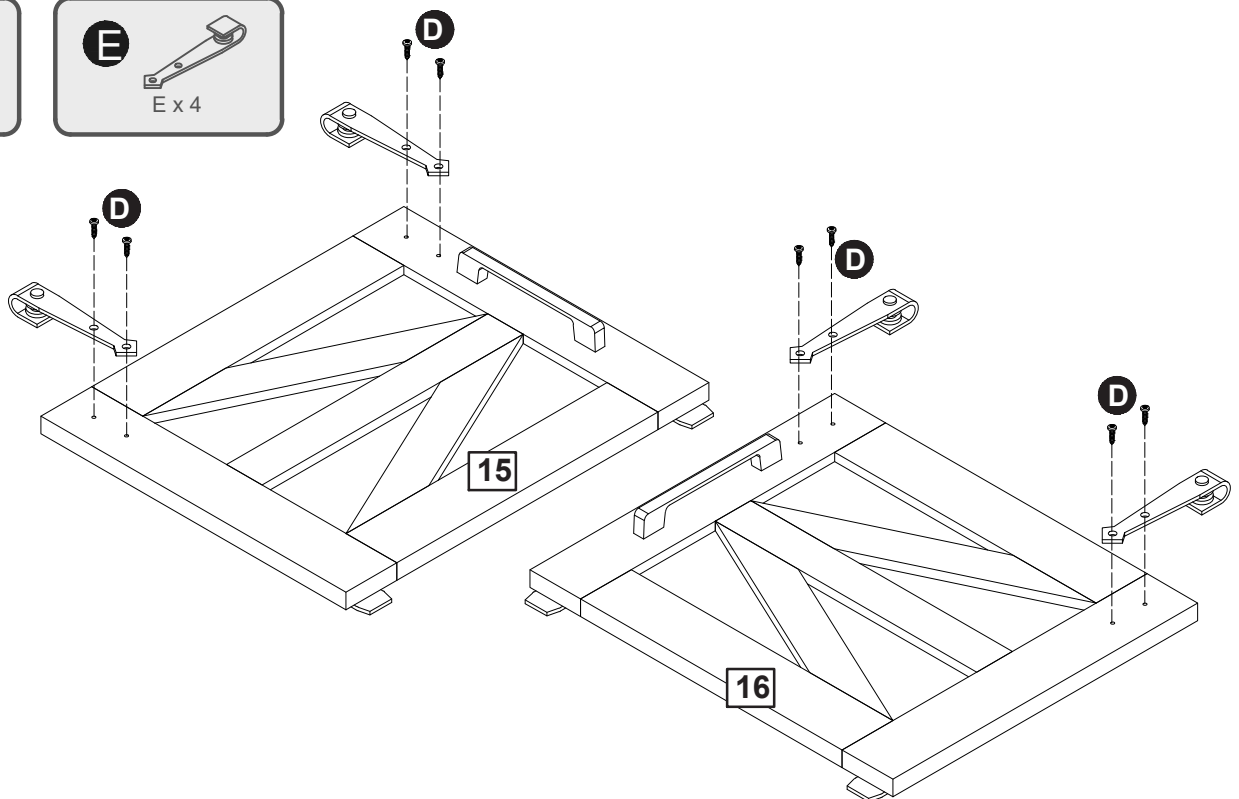
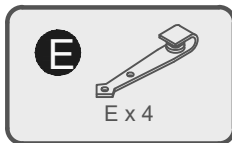


Assembly Instructions

Step 25

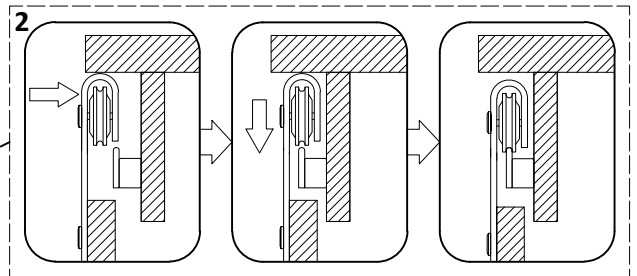
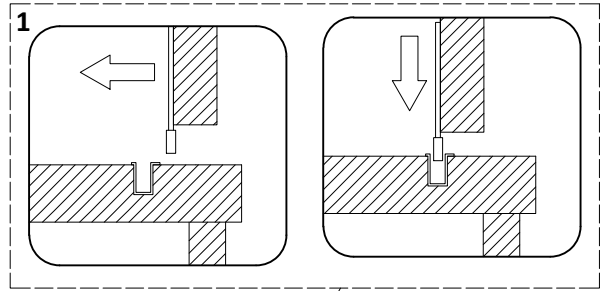
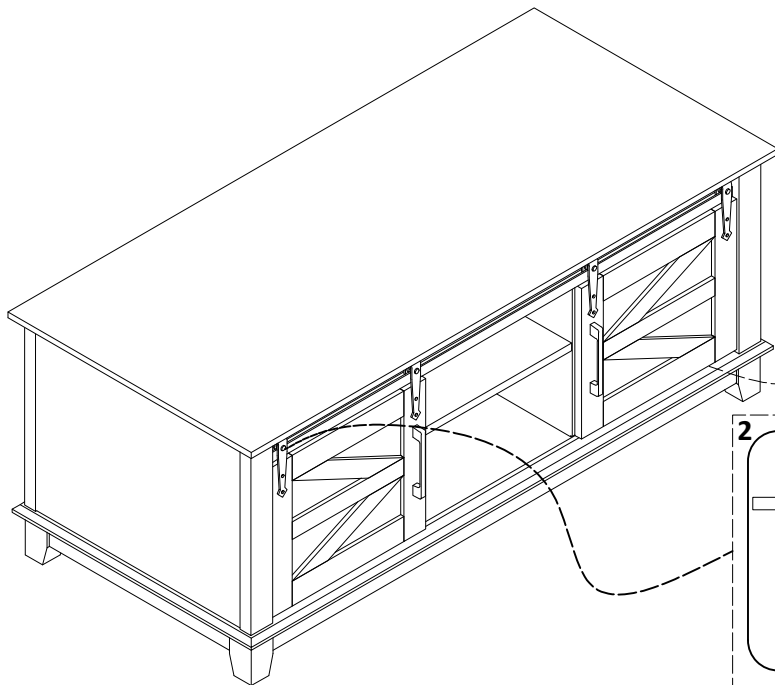


Step 26



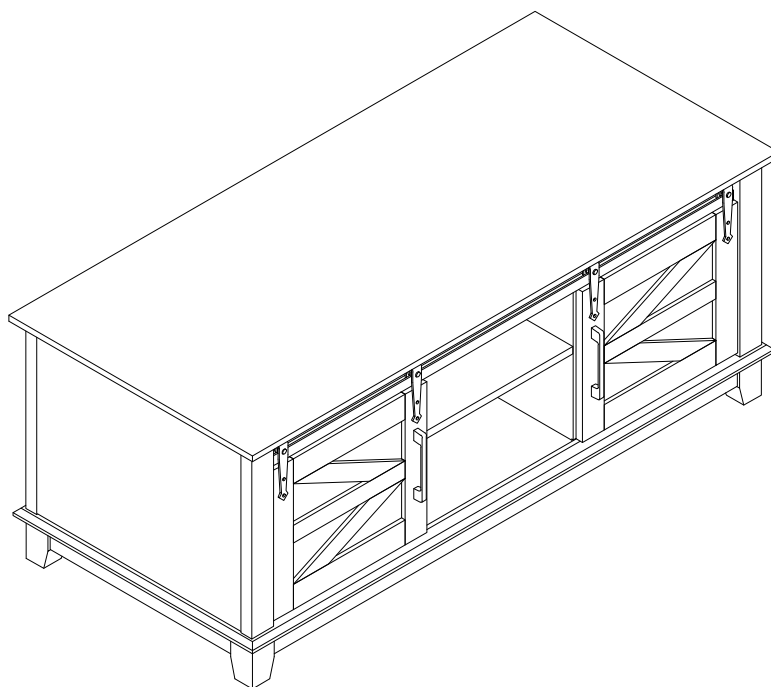
Assembly Instructions

Step 27



Attach bottom of doors to the sliding slot then close the doors to the sliding track. Slightly uplift the doors and hook pulley to the sliding track.

Step 28



Assembly is complete.