

Cabinet

Assembly Instructions - Please keep for future reference

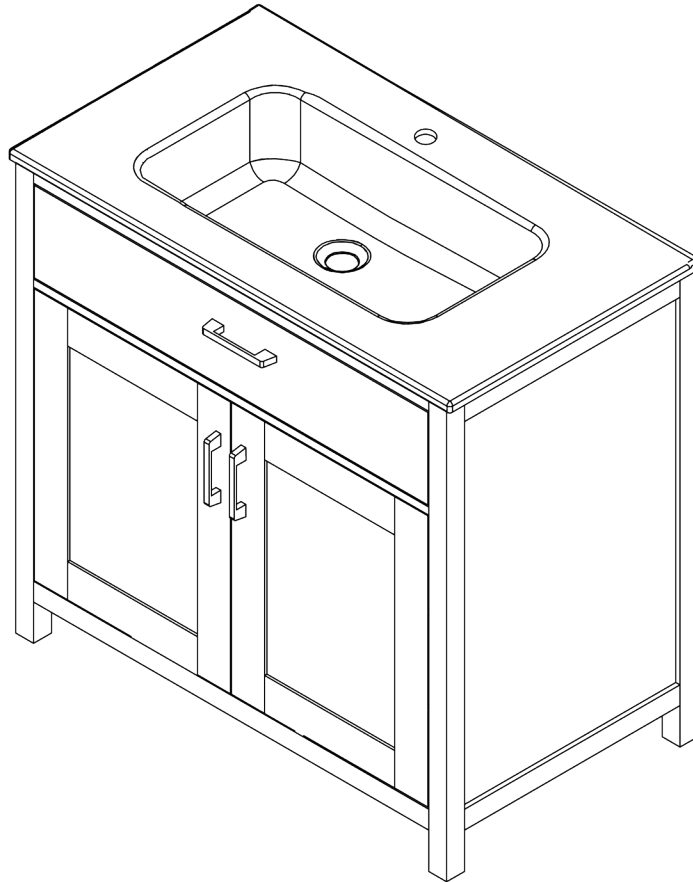
1061110260F

1061110261F

1061110262F

NOTE:

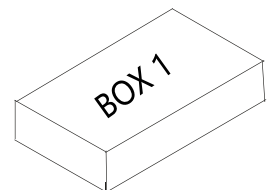
Comes with TWO PACKAGES with TWO TRACKINGS, may NOT be delivered at the same time.



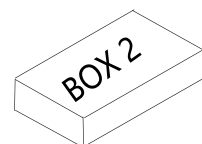
Dimensions

Width- 31.5inch
Depth- 19.7inch
Height- 34.5inch

Carton 1 of 2



Carton 2 of 2




Important – Please read these instructions fully before starting assembly



Safety and Care Advice

Important – Please read these instructions fully before starting assembly

- Check you have all the components and tools listed on the following pages.
 - Remove all fittings from the plastic bags and separate them into their groups.
 - Keep children and animals away from the work area, small parts could choke if swallowed.
 - Make sure you have enough space to layout the parts before starting.
 - During assembly do not stand or put weight on the product, this could cause damage.
 - Assemble the item as close to its final position (in the same room) as possible.
 - Assemble on a soft level surface to avoid damaging the unit or your floor.
 - Parts of the assembly will be easier with 2 people.
- 
- To reduce the likelihood of damaging your product please ensure that your power drill is set on a low torque setting.

Care and maintenance

- Only clean using a damp cloth and mild detergent, do not use bleach or abrasive cleaners.
- From time to time check that there are no loose screws on this unit.
- This product should not be discarded with household waste. Take to your local authority waste disposal centre.

Handy Hints

- Assemble all parts and bolts loosely during assembly, only once the product is complete should you fully tighten the bolts
- Regularly check and ensure that all bolts and fittings are tightend properly.

WARNING

In order to help prevent overturning – please follow these instructions

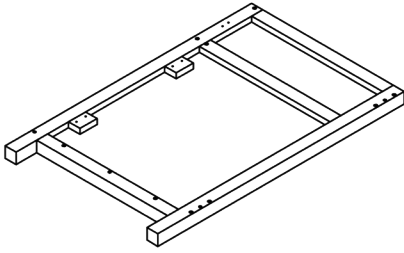
To help prevent product toppling over please follow the below steps:-

Use the anti tip strap or wall fixing method provided (if applicable)
Do not allow children to climb or hang on the furniture
Do not open more than one drawer at a time
Do not place heavy items in the top drawers
Do not place heavy items on top of the furniture, unless the furniture has been designed for this purpose

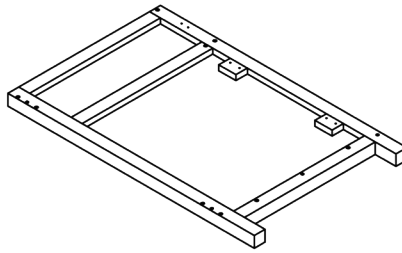
Please note that only the anti tip strap is provided.
You will need to provide wall plugs and screws applicable for your wall type

Components - Panels

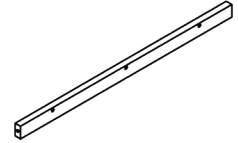
Please check you have all the panels listed below



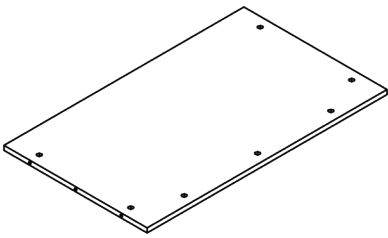
1 (86x47.3x3.8cm) x1



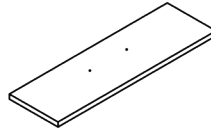
2 (86x47.3x3.8cm) x1



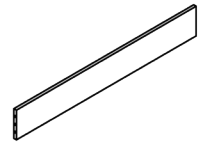
3 (69.8x3.8x1.8cm) x1



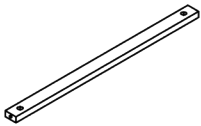
4 (69.8x439x1.5cm) x1



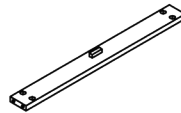
5 (69.4x17x1.5cm) x1



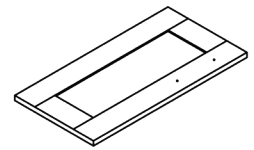
6 (69.8x11x1.5cm) x2



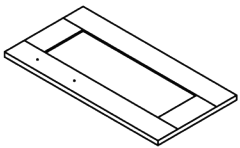
7 (69.8x3.8x1.8cm) x1



8 (69.8x5.5x1.5cm) x1



9 (53.6x34.6x1.5cm) x1




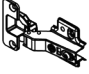



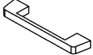




10 (53.6x34.6x1.5cm) x1

Components - Fittings

Please check you have all the fittings listed below

Note: The quantities below are the correct amount to complete the assembly. In some cases more fittings may be supplied than are required.

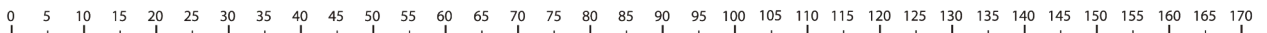
Ⓐ  x21	Ⓑ  x21	Ⓒ  $\varnothing 8 \times 30$ x8
Ⓓ  x4	Ⓔ  x2	Ⓕ  M4*16 x34
Ⓖ  M4*20 x6	Ⓖ  x3	Ⓖ  x2
Ⓙ  x4		

Tools required



Phillips screwdriver
(medium & large)

Ruler - Use this ruler to help correctly identify the screws

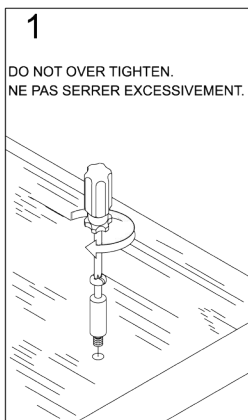


The screws length is measured from the head to the point (30mm screw shown).

Using Camlocks

Step 1

Connect the male camlock as directed in the assembly instructions using a screwdriver.

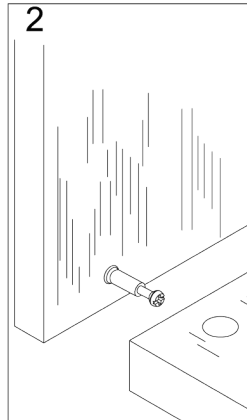


1

DO NOT OVER TIGHTEN.
NE PAS SERRER EXCESSIVEMENT.

Step 2

Push the male camlock into the entry hole.

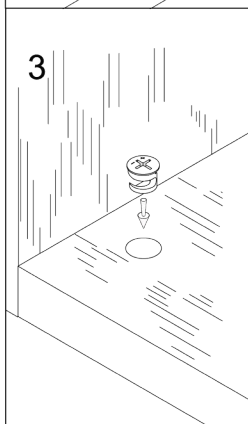


2

Step 3

Insert the female camlock as shown in the instructions.

Note: ensure that the arrow on the top of the camlock points towards the entry hole for the male camlock.



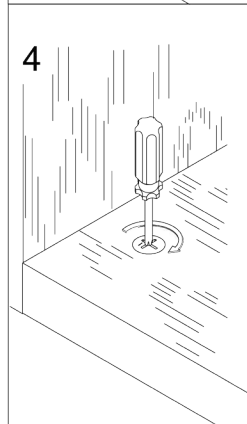
3

Step 4

Turn the female camlock clockwise with a screwdriver.

You should feel a click when the camlock is locked in place.

The joint is now secure.



4

Adjusting Hinges

Hinge adjustment:

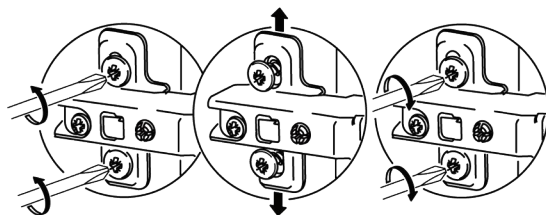
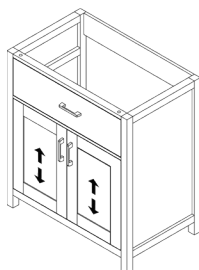
a: To move the top panel up or down, loosen screws shown and move top panel to suit

b: To move the top panel in or out, loosen screws shown and move top panel to suit.

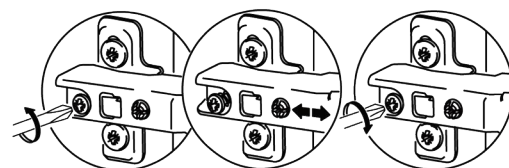
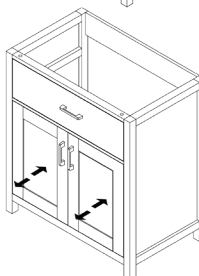
Retighten screws

c: To move the top panel left or right, adjust screws shown.

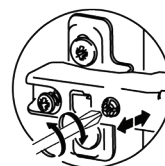
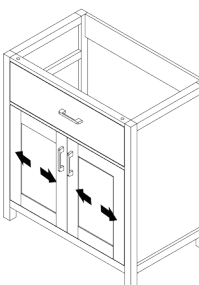
a:



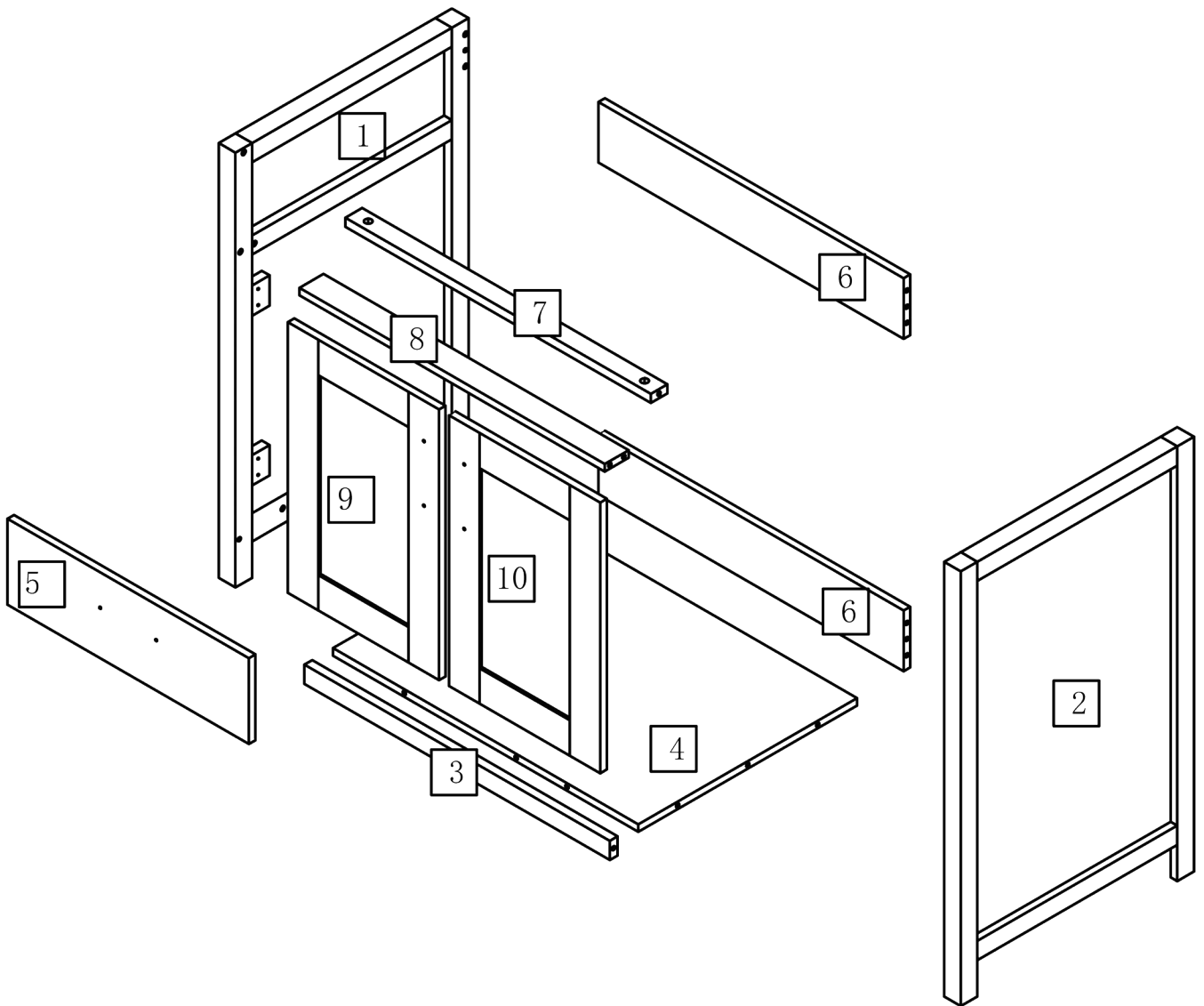
b:



c:



Assembly Instructions

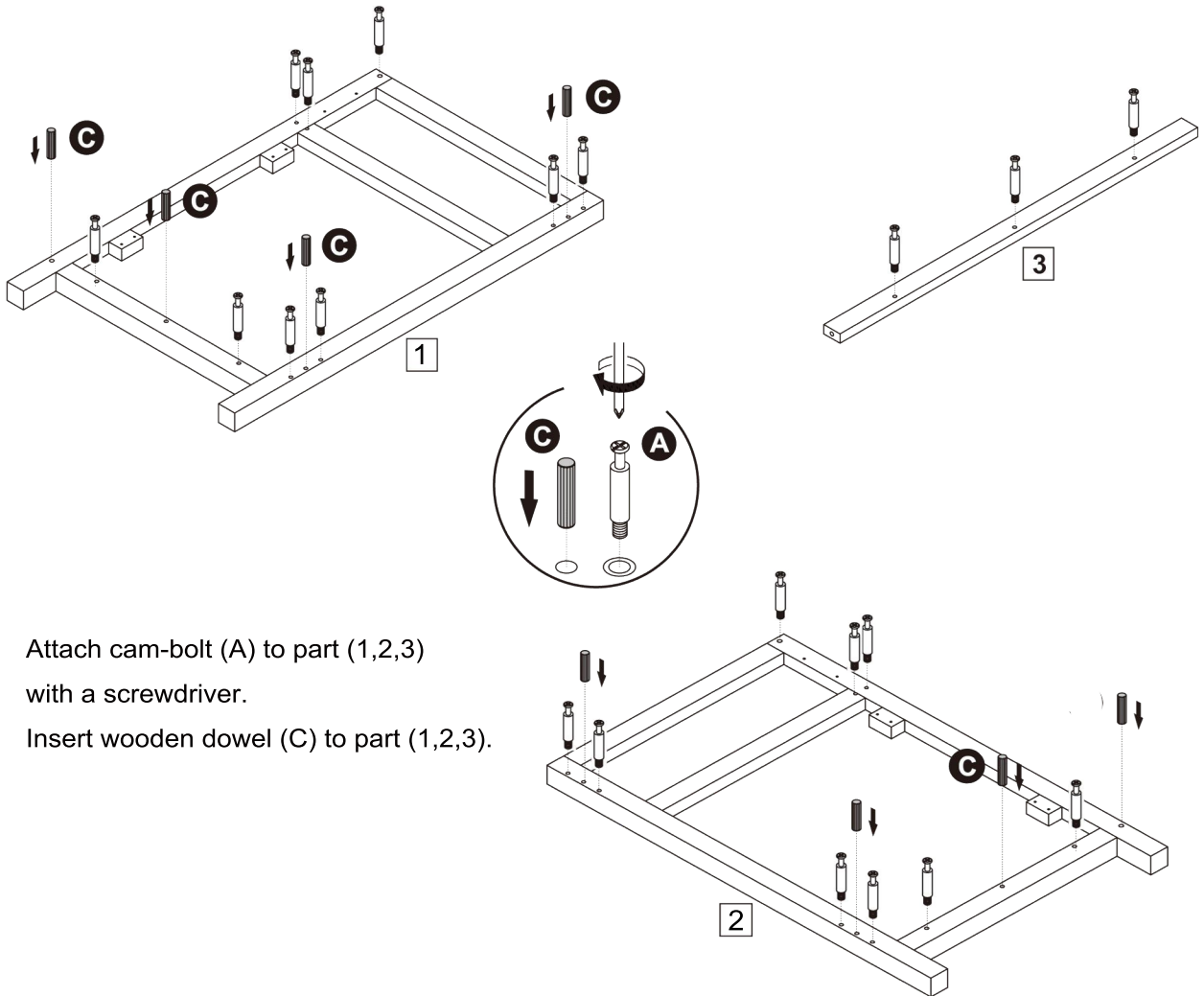
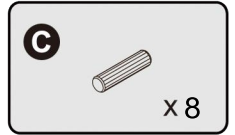
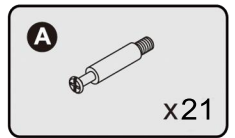
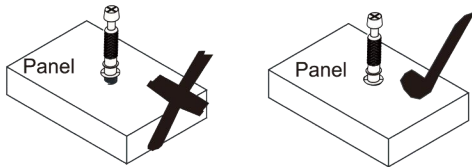
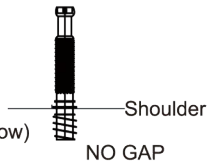


Assembly Instructions

Step 1

CAM-LOCK

Tighten until shoulder is flush with panel. Do not overtighten or undertighten (see example below)

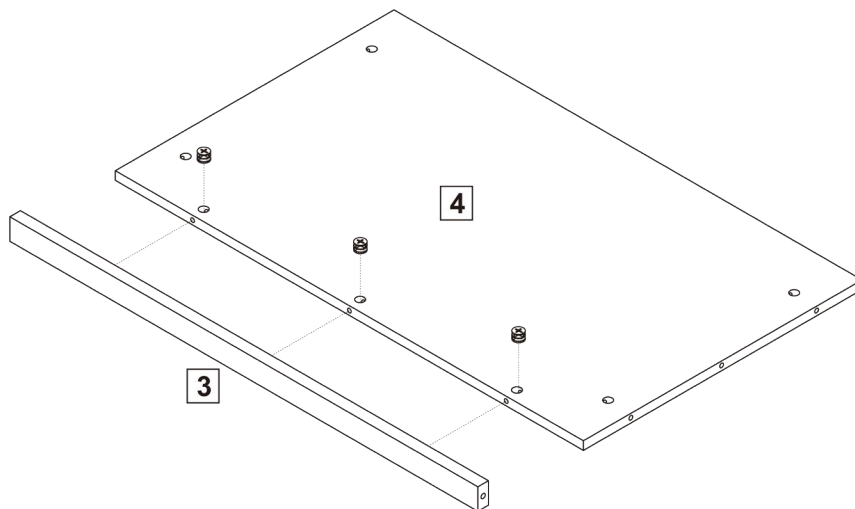
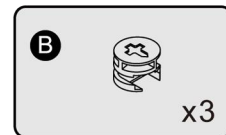
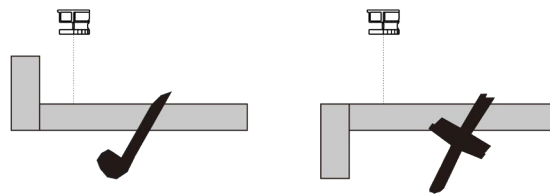
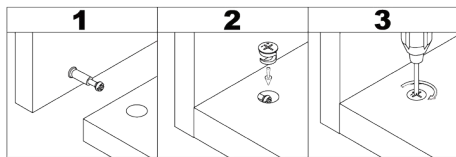


Attach cam-bolt (A) to part (1,2,3) with a screwdriver.

Insert wooden dowel (C) to part (1,2,3).

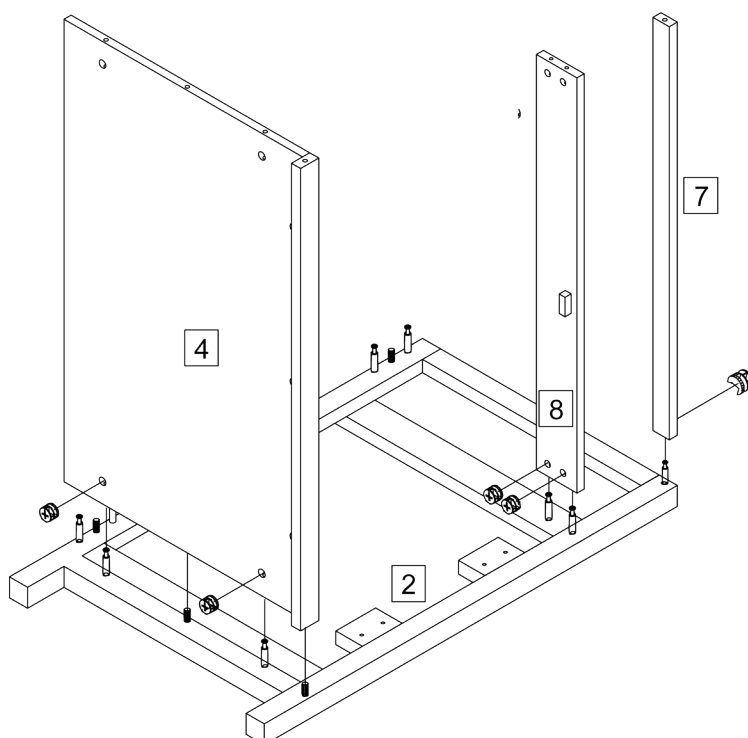
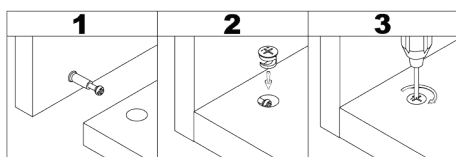
Assembly Instructions

Step 2



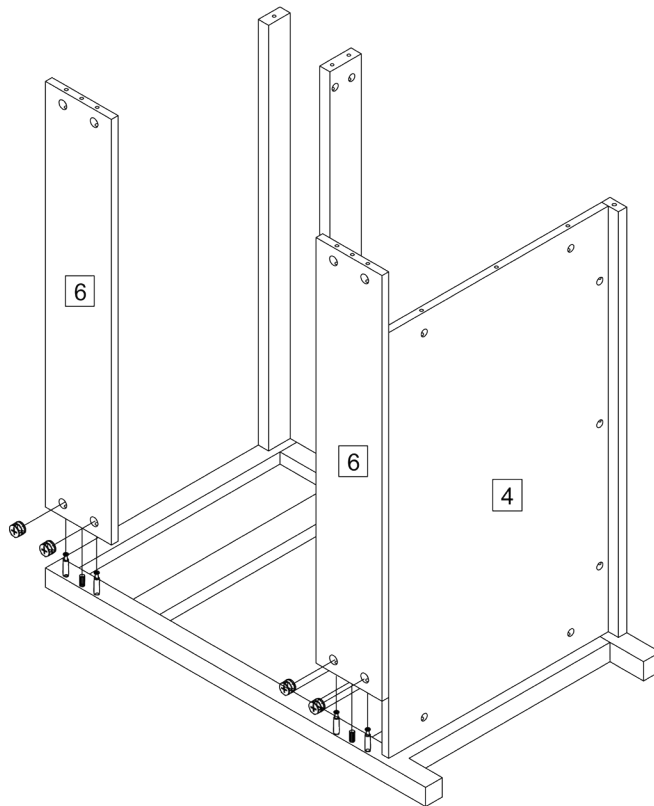
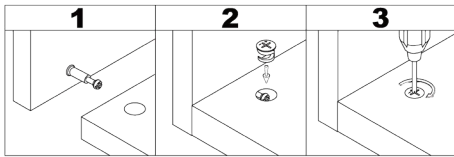
Attach part (3) to part (4), then insert and secure cam-lock (B) to part (4) to lock it.

Step 3

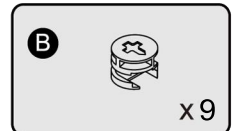
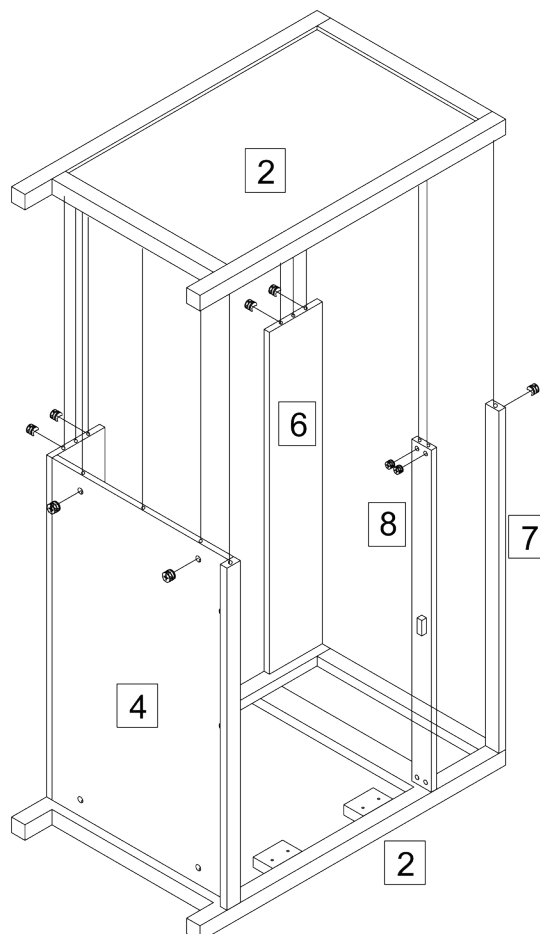
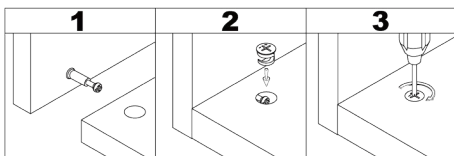


Assembly Instructions

Step 4

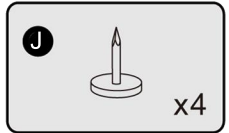
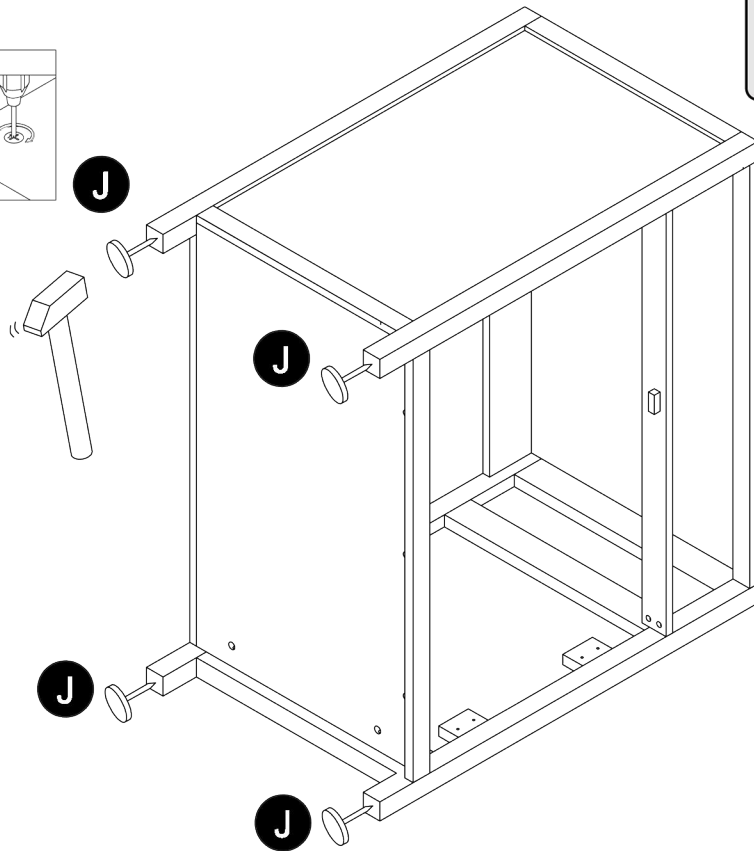
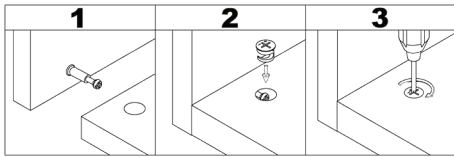


Step 5



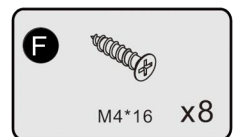
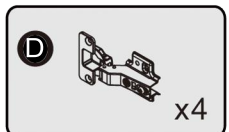
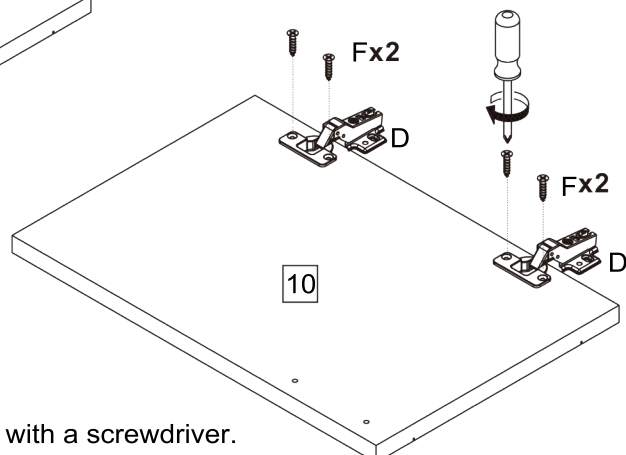
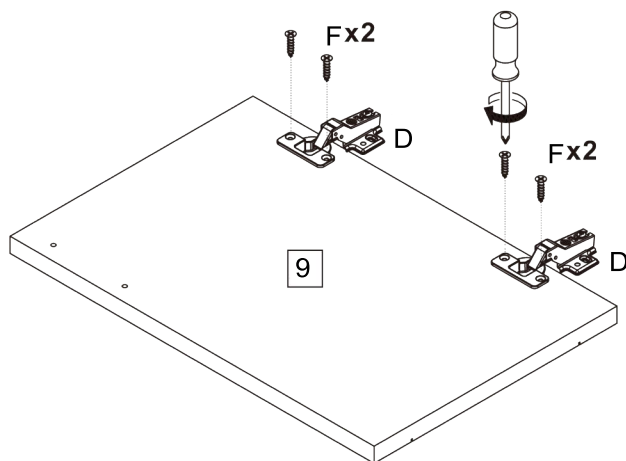
Assembly Instructions

Step 6



Attach protective feet (J) to part (1,2).

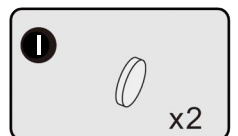
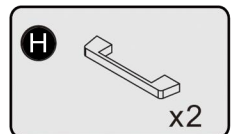
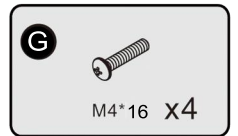
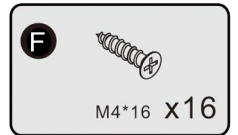
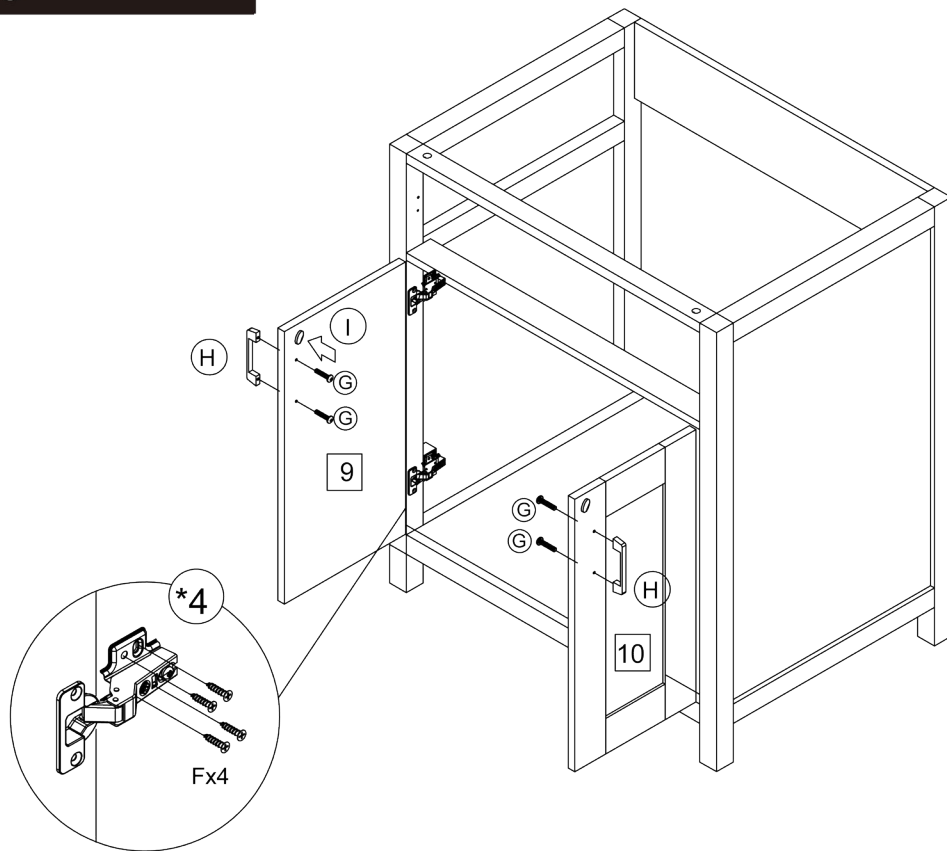
Step 7



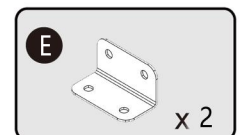
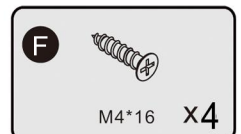
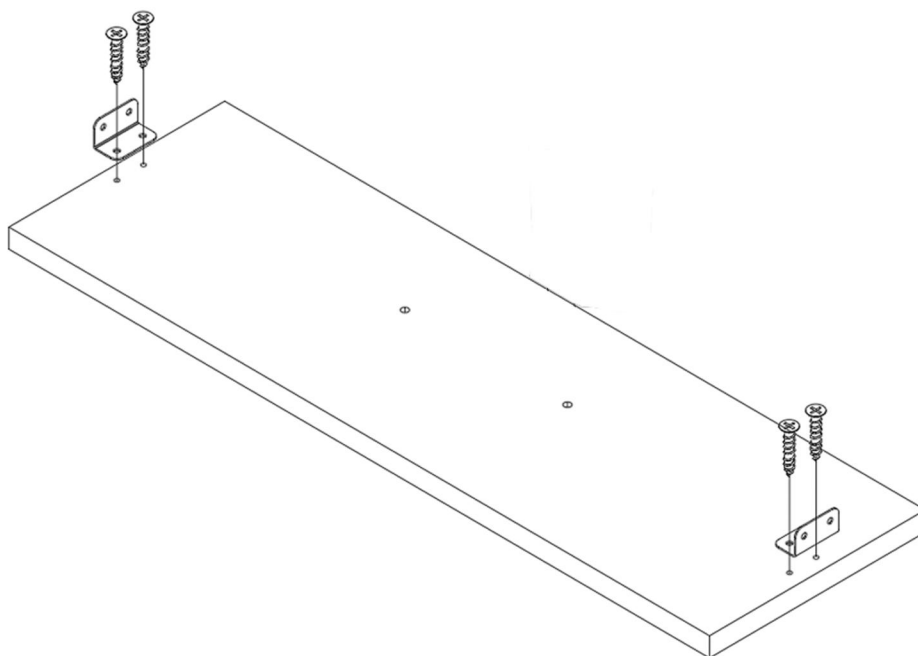
Use screw (F) to secure hinge (D) to part (9,10) with a screwdriver.

Assembly Instructions

Step 8



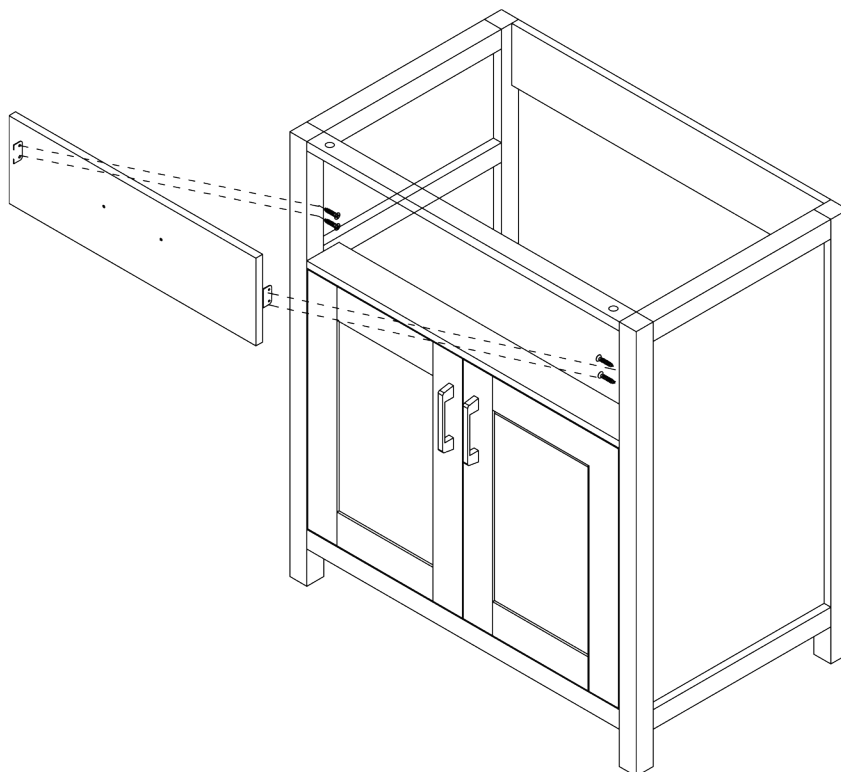
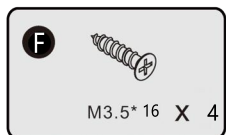
Step 9



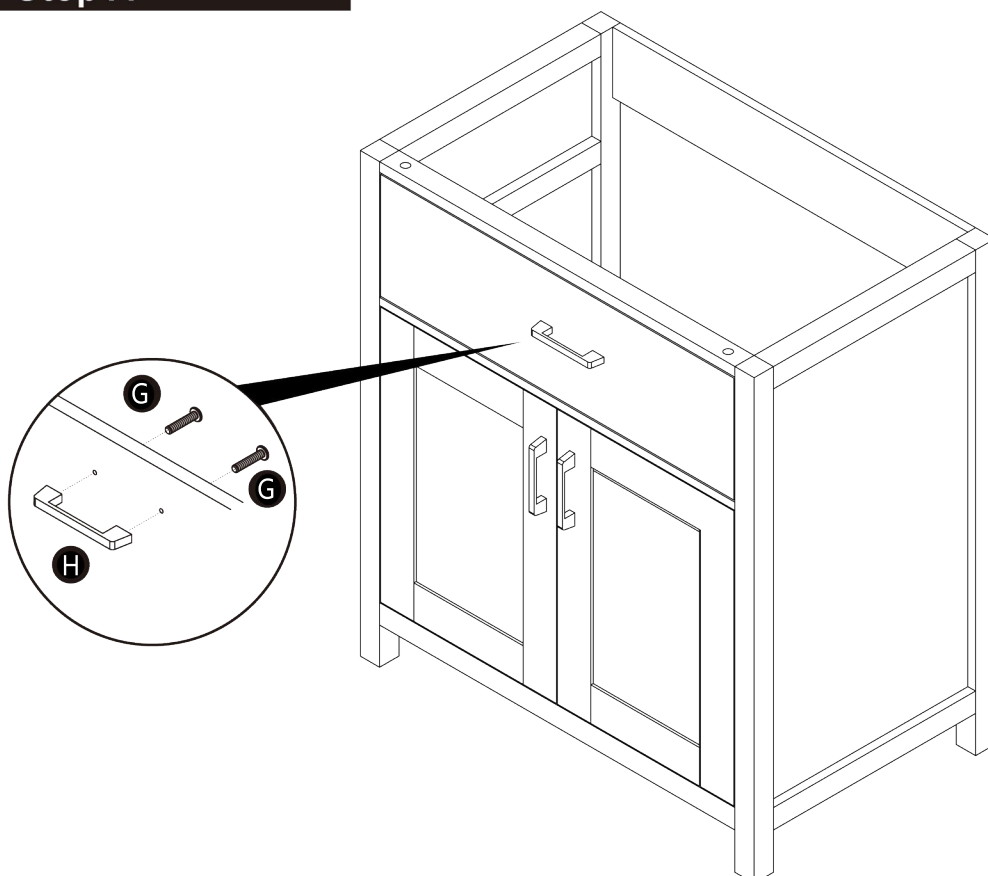
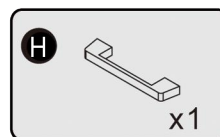
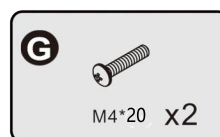
Use screw (F) to secure L shape connectors (E) to part (5) with a screwdriver.

Assembly Instructions

Step 10

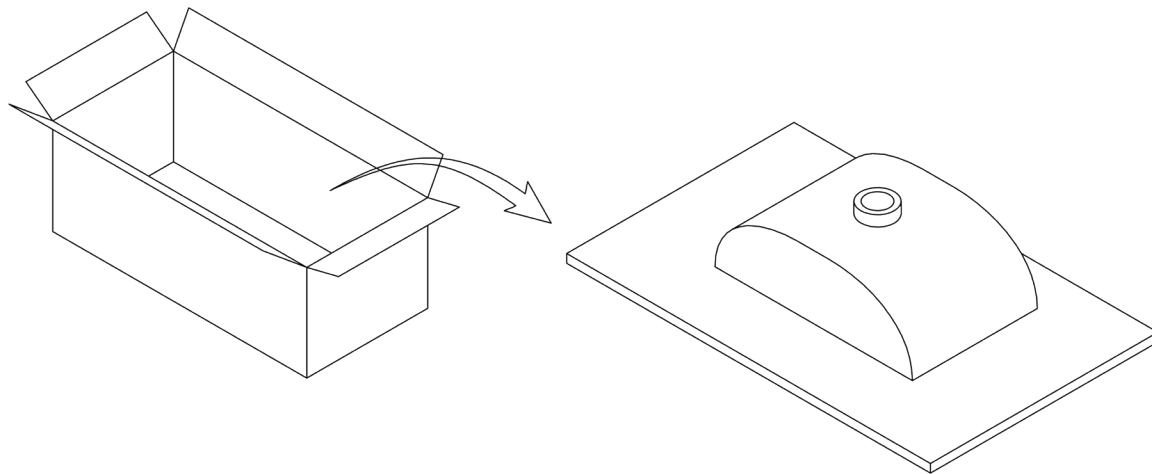


Step 11

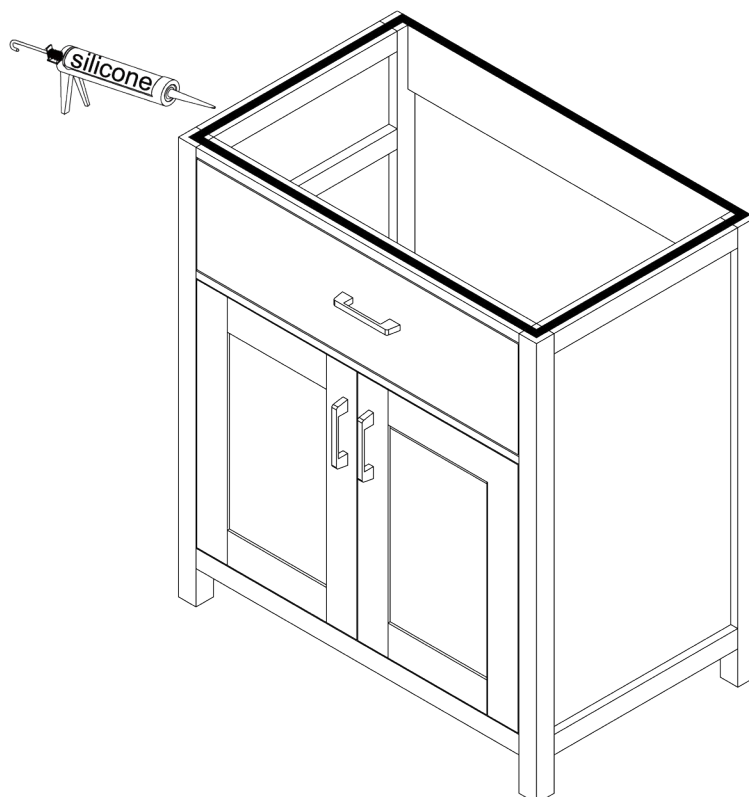


Assembly Instructions

Step 12

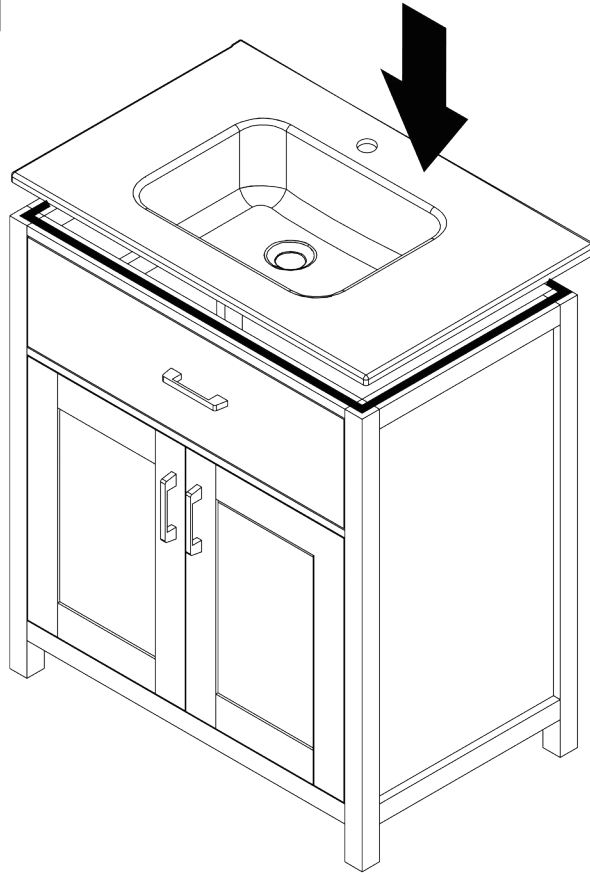


Step 13

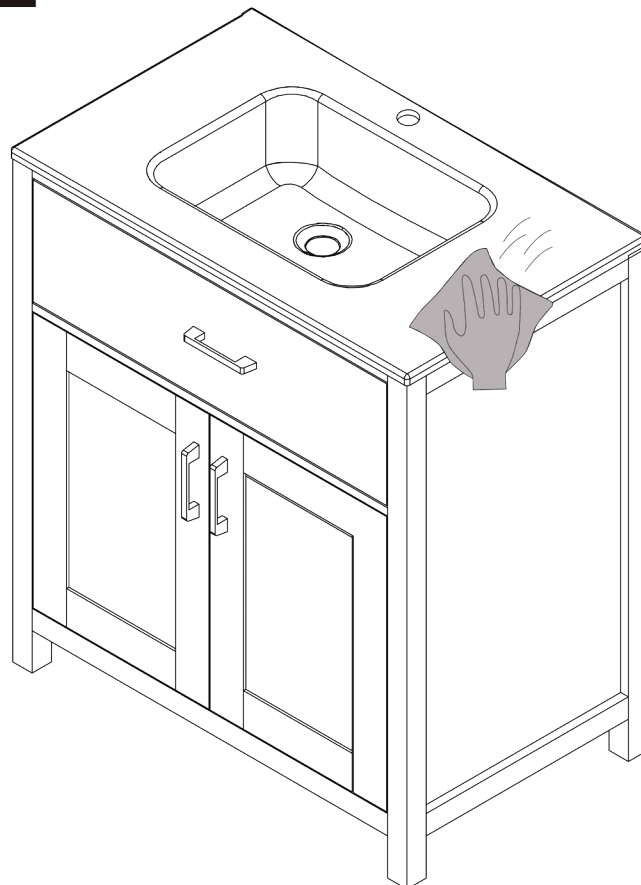


Assembly Instructions

Step 14

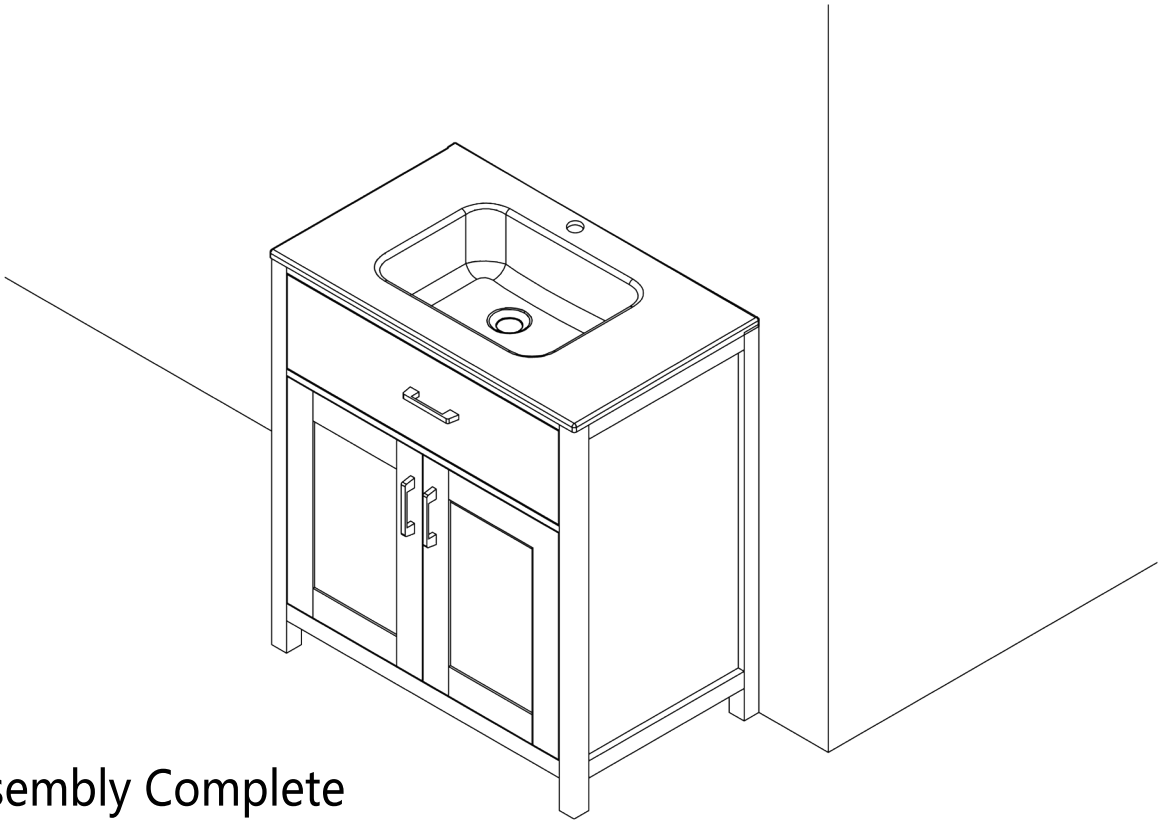


Step 15



Assembly Instructions

Step 16



Assembly Complete