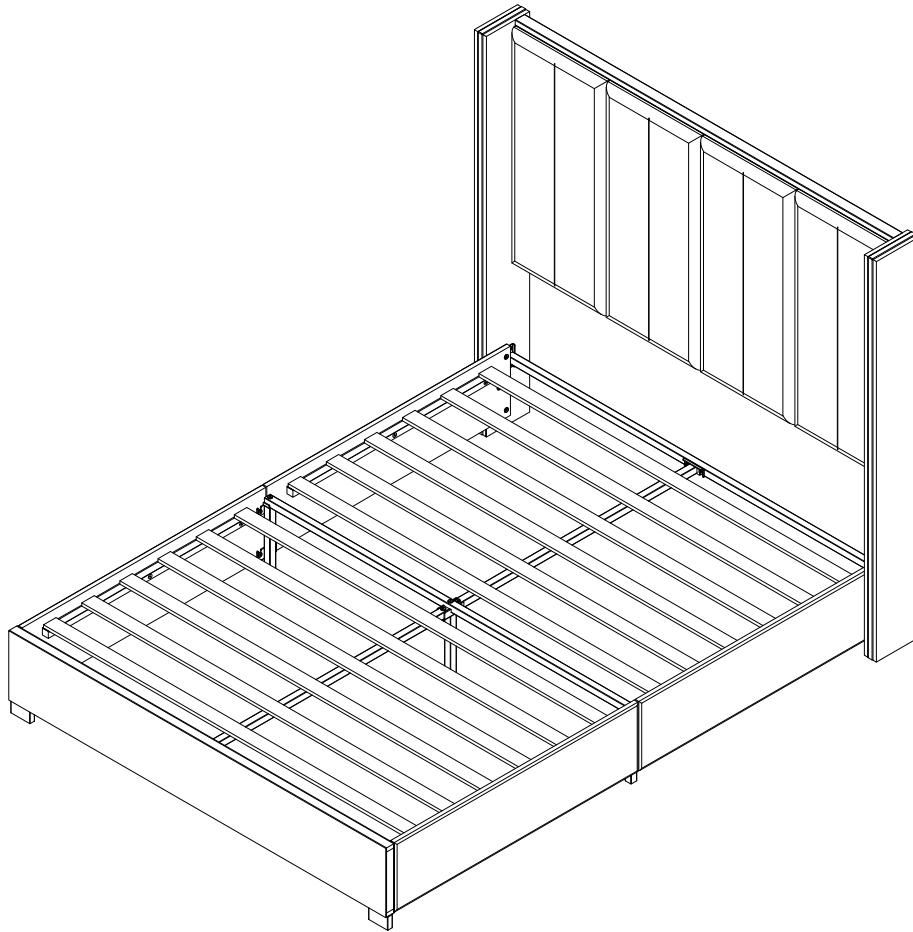


Velvet Upholstered Bed with Metal Trim



Friendly Customer Service

Satisfaction Guarantees: Any problems with assembly, quality, or return, please free to contact us directly.

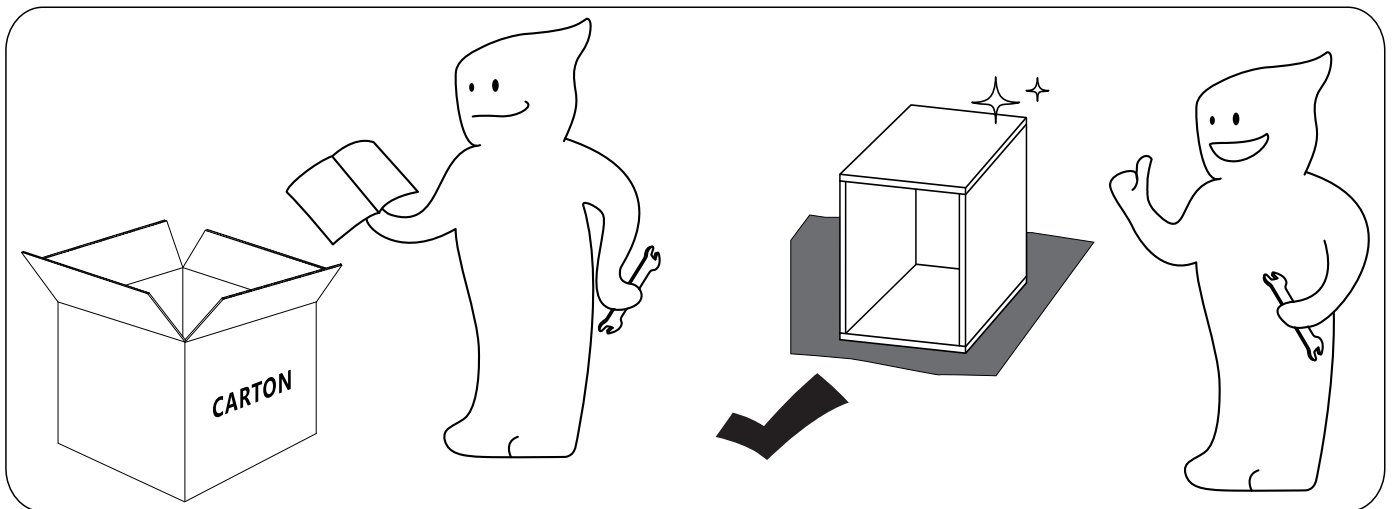
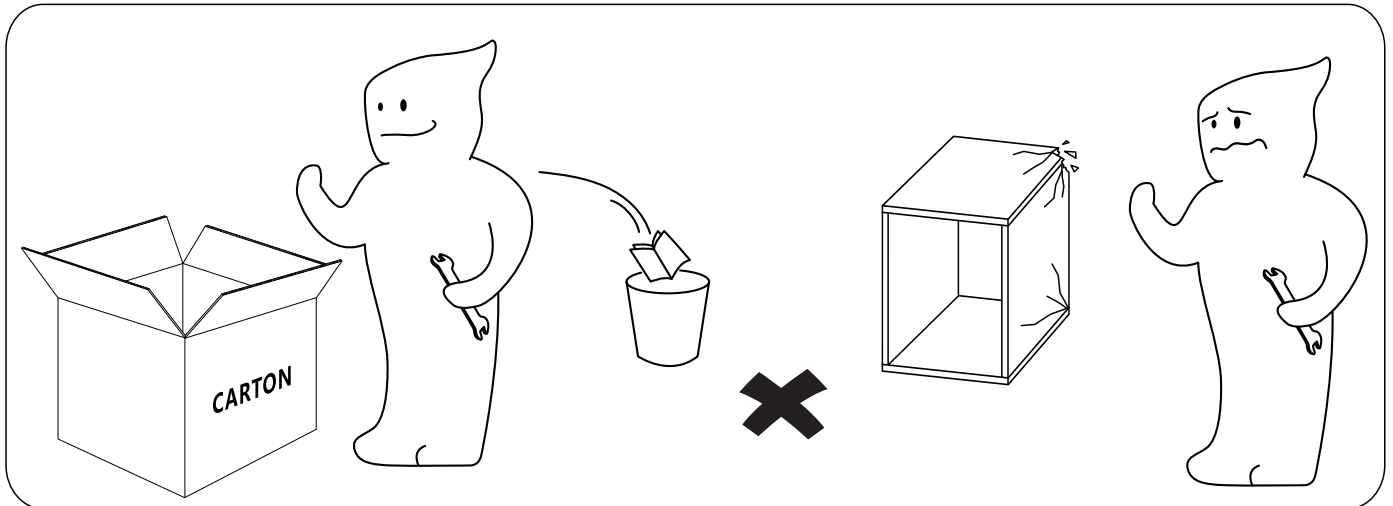
Contact us

Phone: +1(901)347-2181 (US) Mon-Fri 9am-5pm (PST)

E-Mail: cs@howedirect.com (Get efficient feedback within 12 hours)

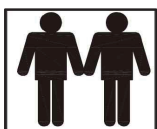
! IMPORTANT

Please follow the instruction manuals and use a pad to protect the product during your assembly.



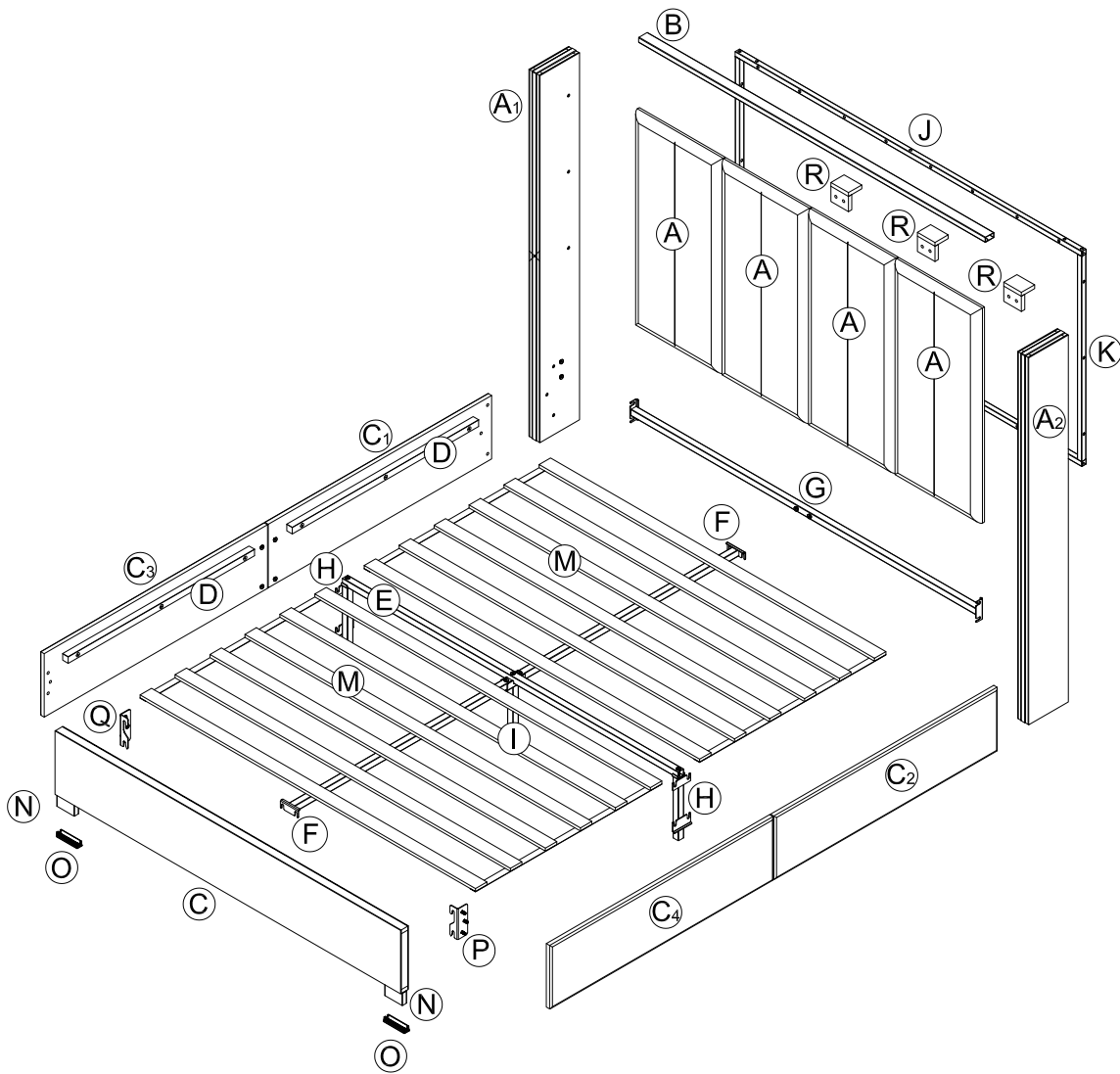
Note:

- 1. Should be assembled on flat ground to keep balance.**
- 2. Before completing the installation, do not tighten the screws.**

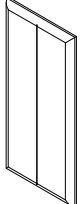


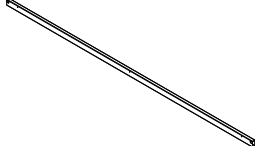
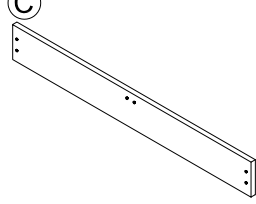
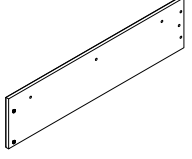
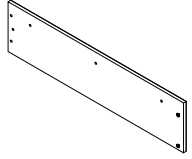
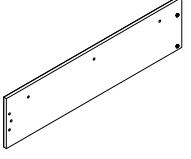
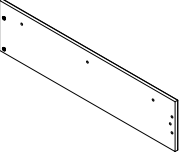
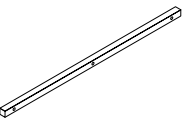
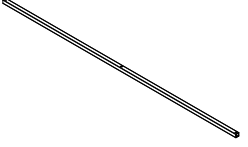
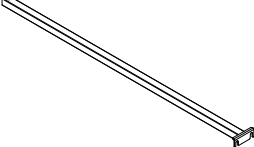
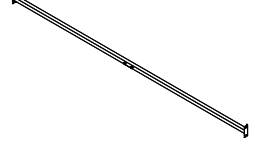
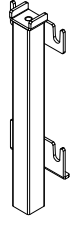
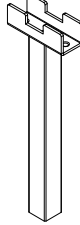
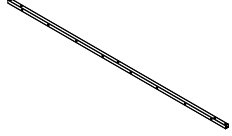
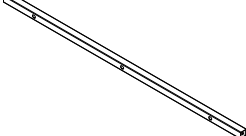
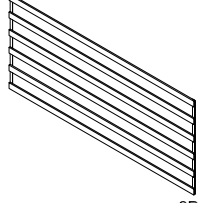
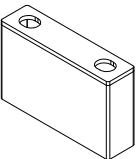

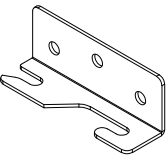
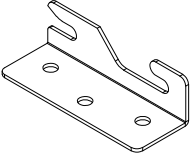
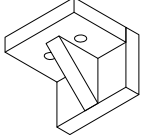


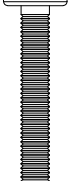

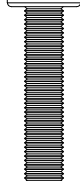

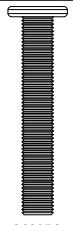
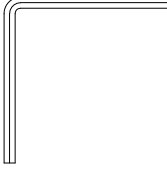


For easier and better assembly, **2** or more adults are required.

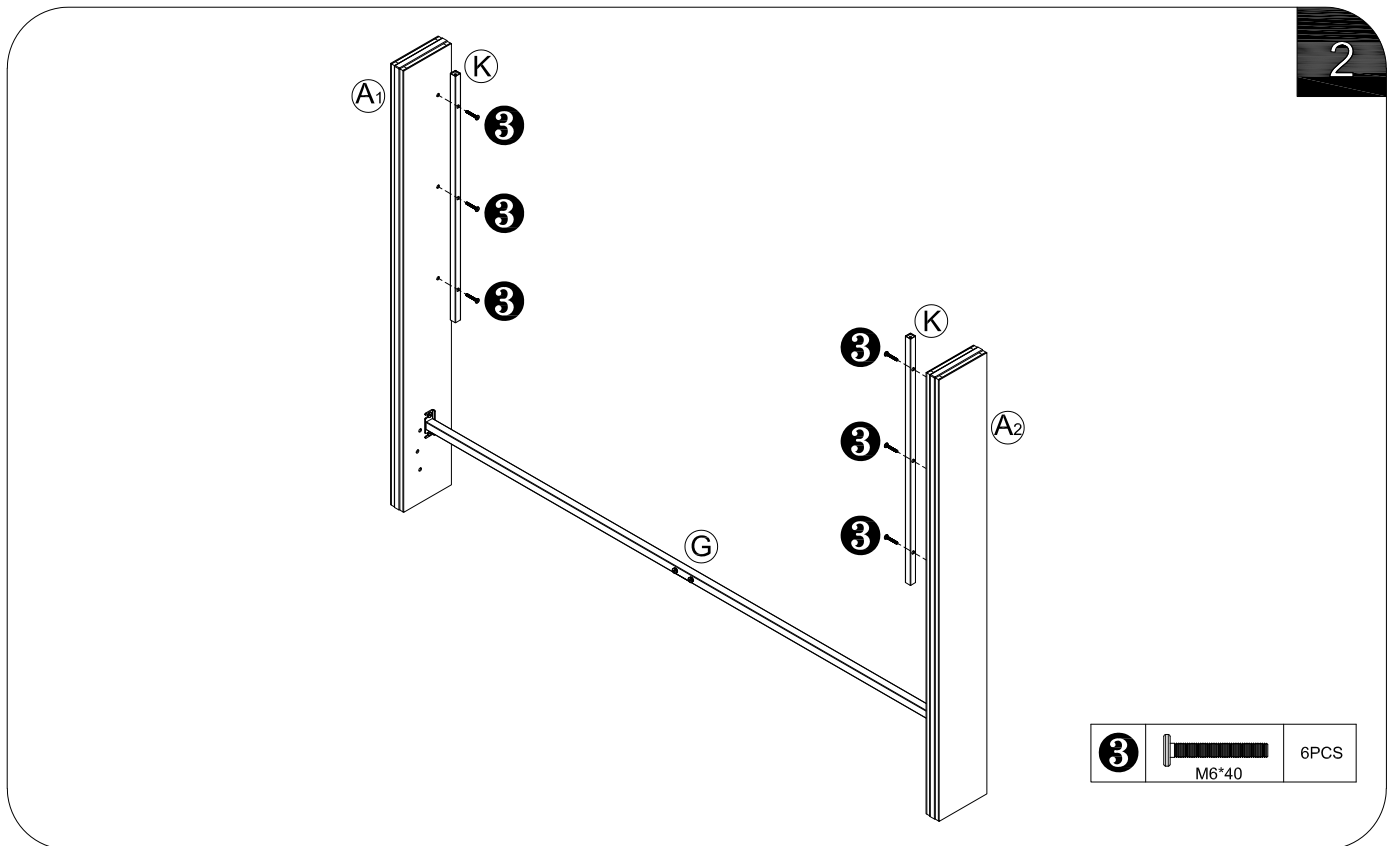
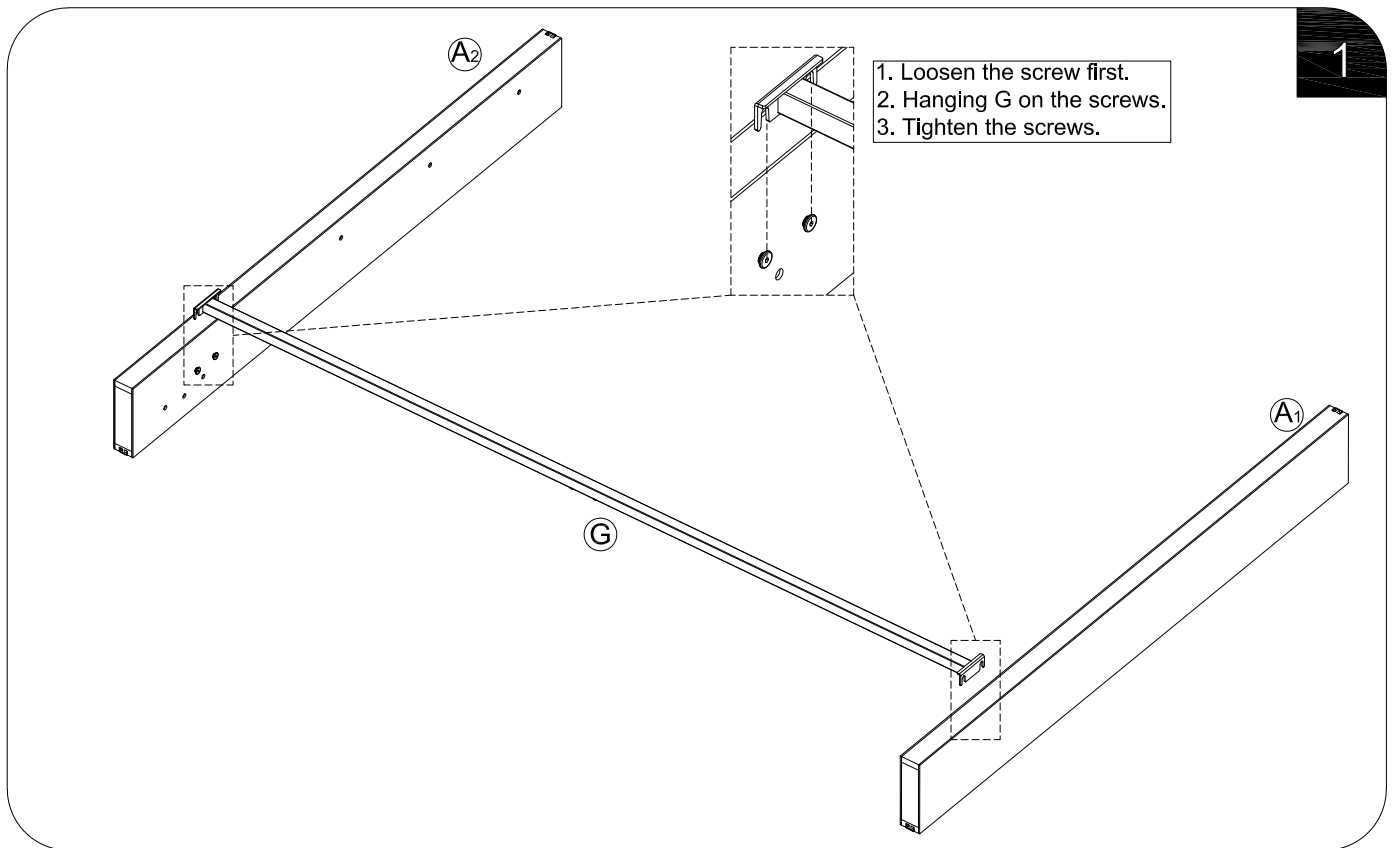
ASSEMBLY INSTRUCTIONS

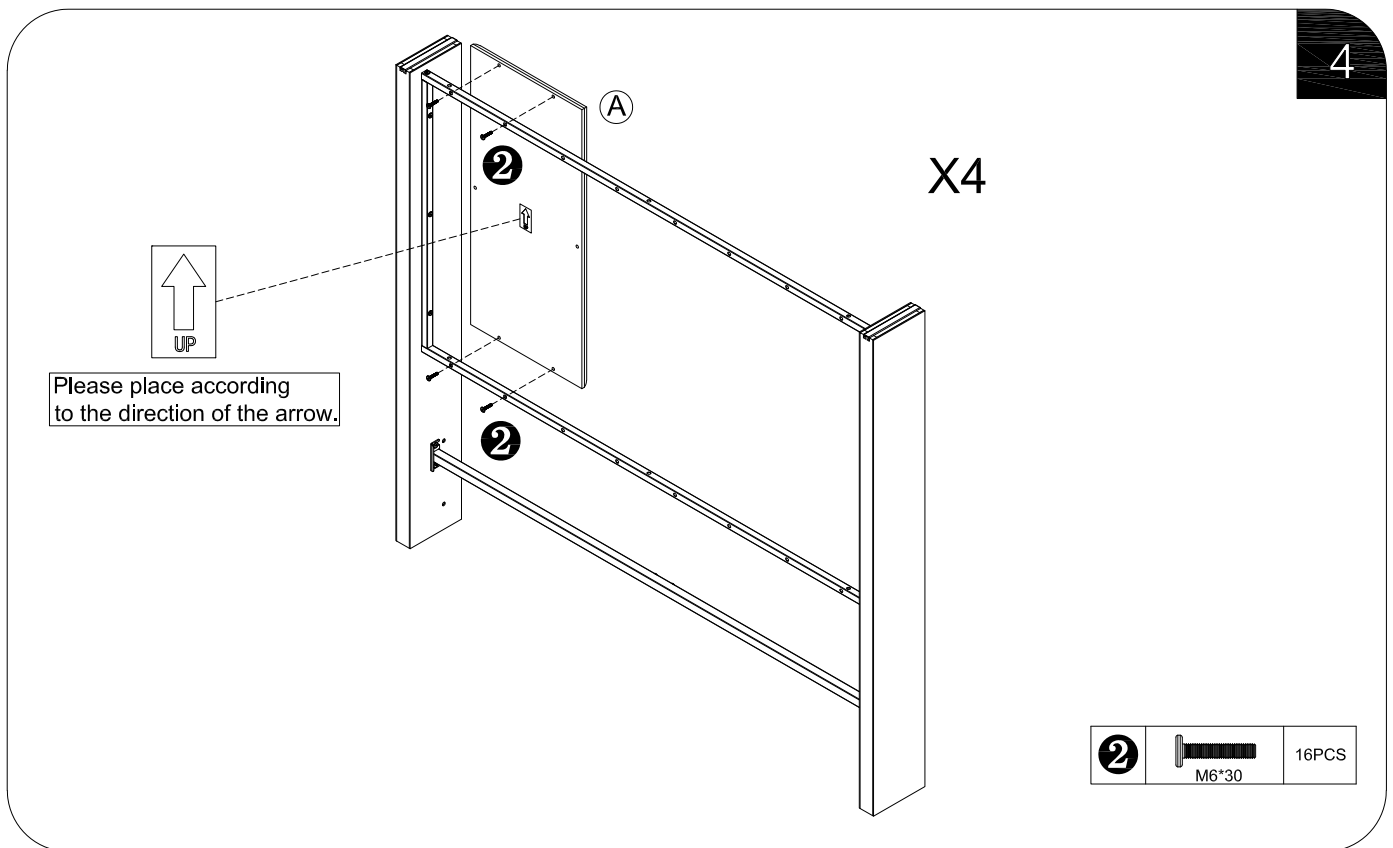
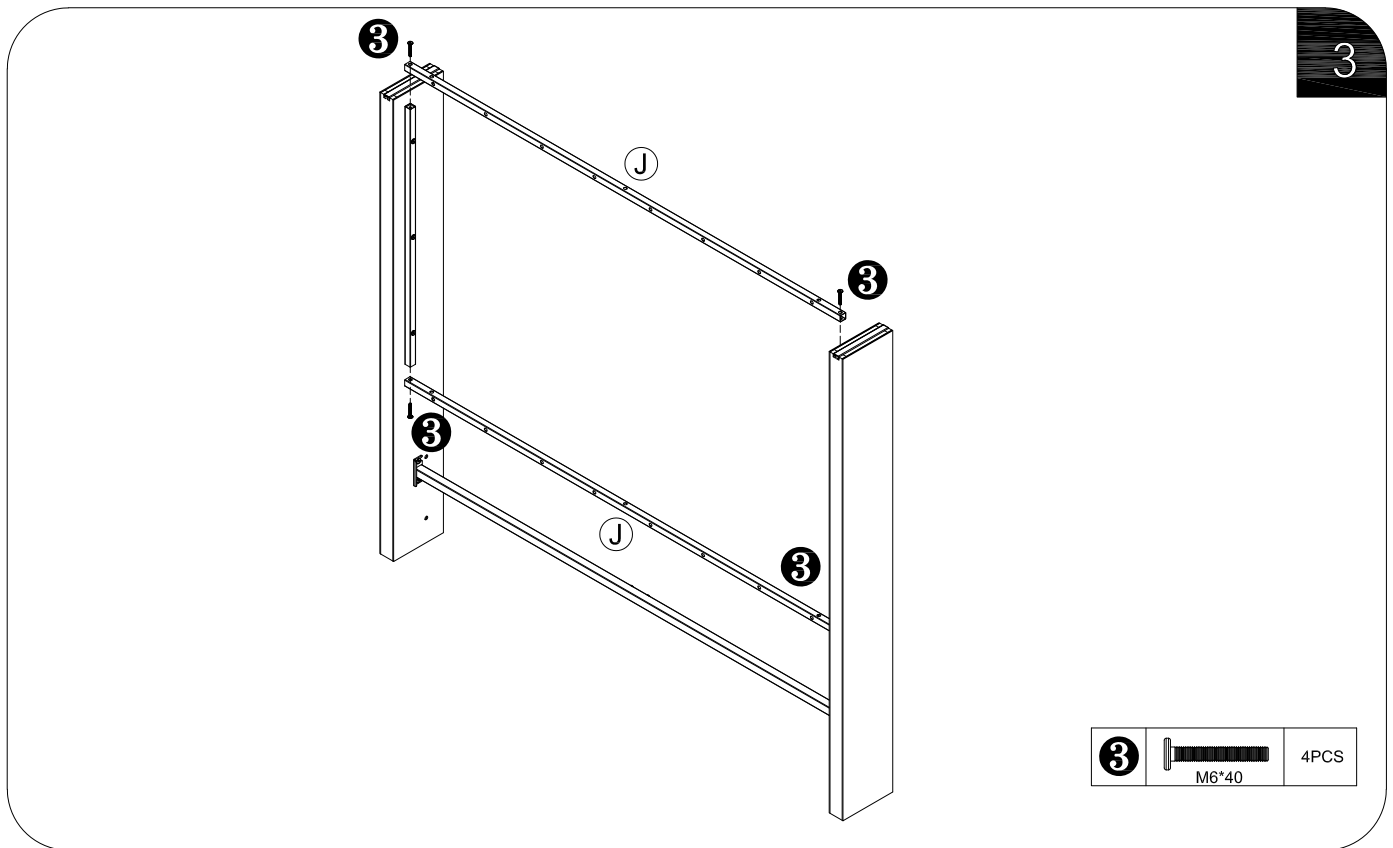


PARTS LIST

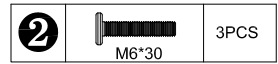
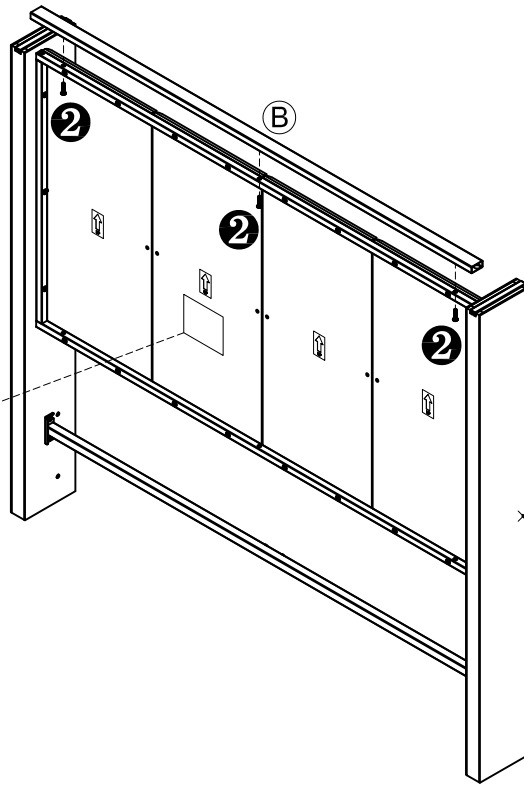
A  4PCS	A₁  1PCS	A₂  1PCS	B  1PCS	C  1PCS
C₁  1PCS	C₂  1PCS	C₃  1PCS	C₄  1PCS	D  4PCS
E  1PCS	F  2PCS	G  1PCS	H  2PCS	I  1PCS
J  2PCS	K  2PCS	M  2PCS	N  2PCS	O  2PCS
P  1PCS	Q  1PCS	R  3PCS		
1  M6*25 6PCS	2  M6*30 19PCS	3  M6*40 10PCS	4  M8*18 10PCS	5  M8*40 10PCS
6  M8*43 12PCS	7  M8*50 1PCS	8  4*85 1PCS		

ASSEMBLY INSTRUCTIONS



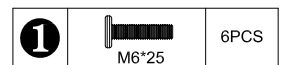
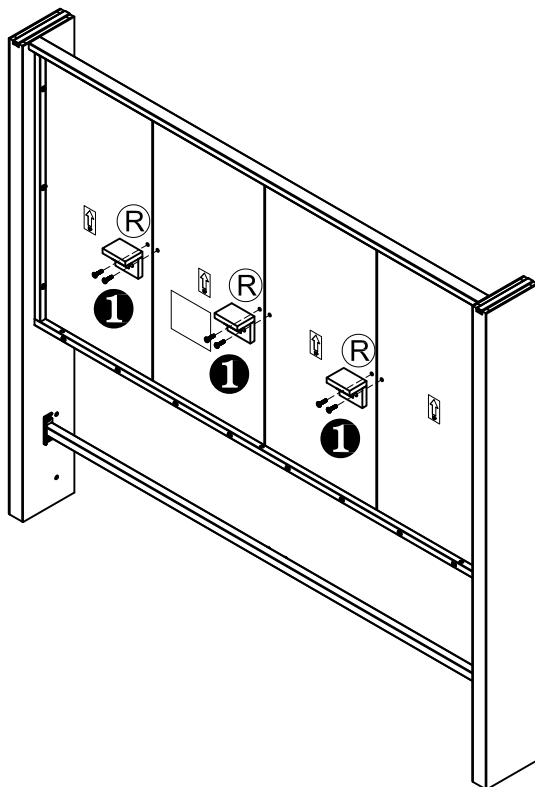


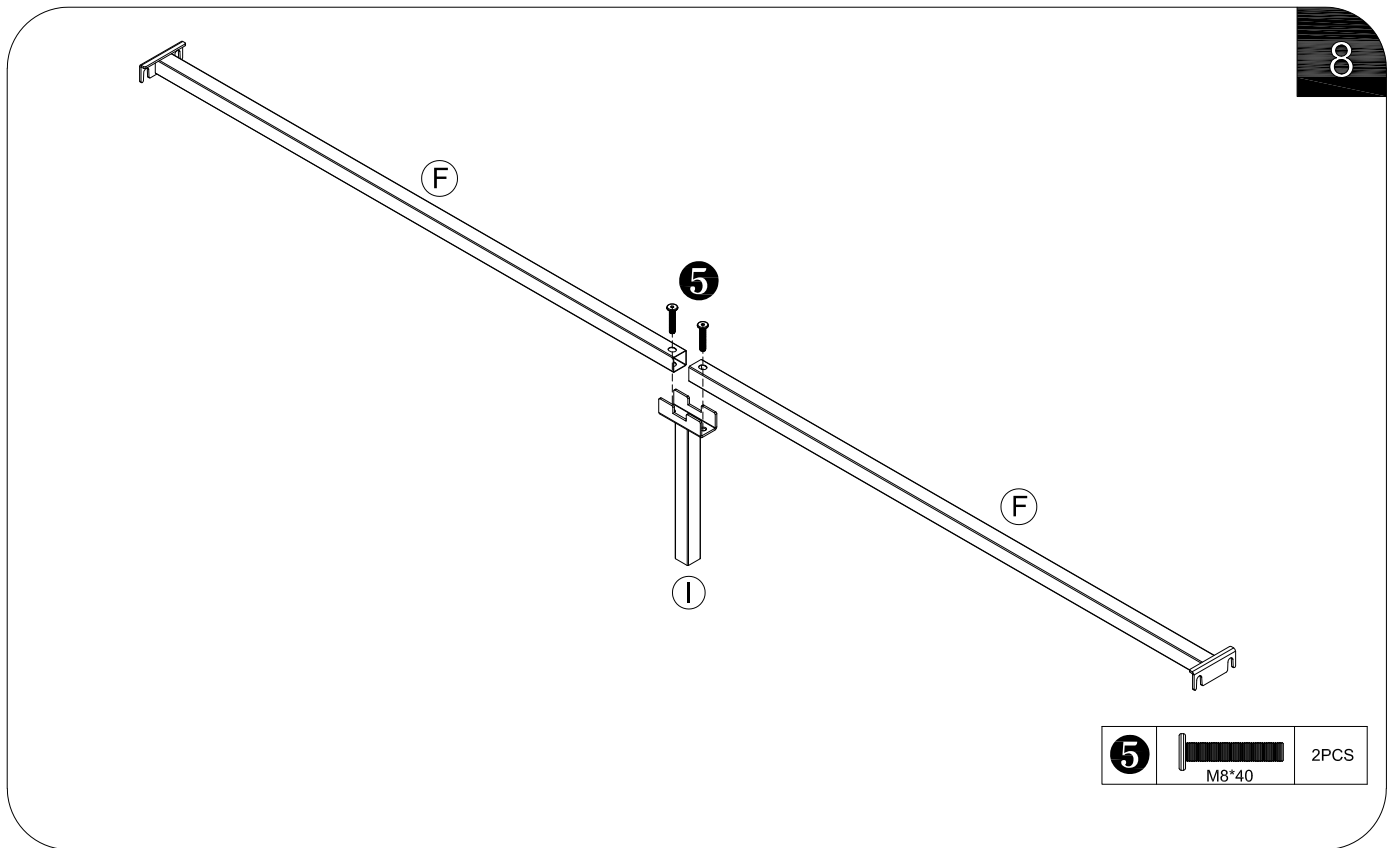
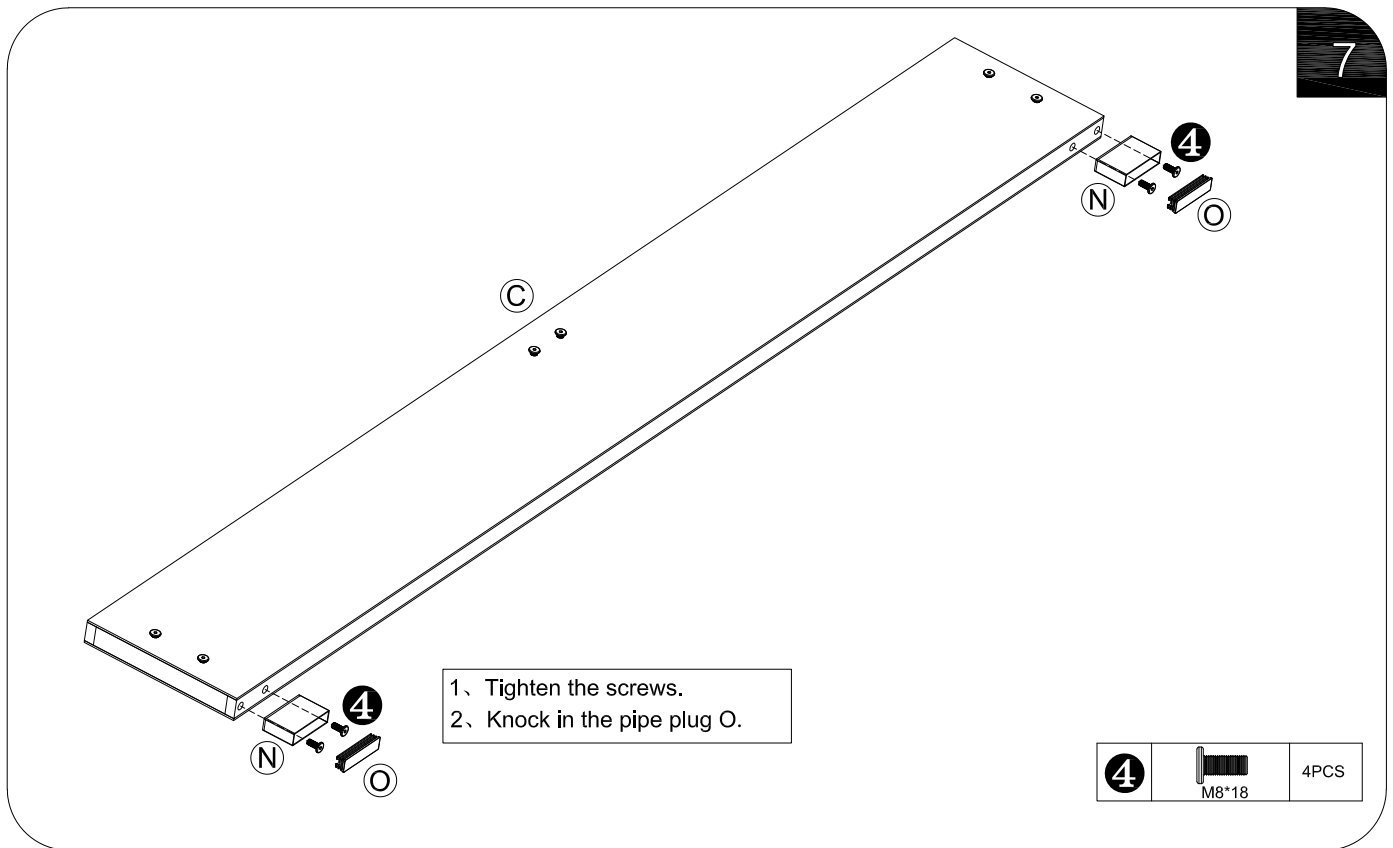
5

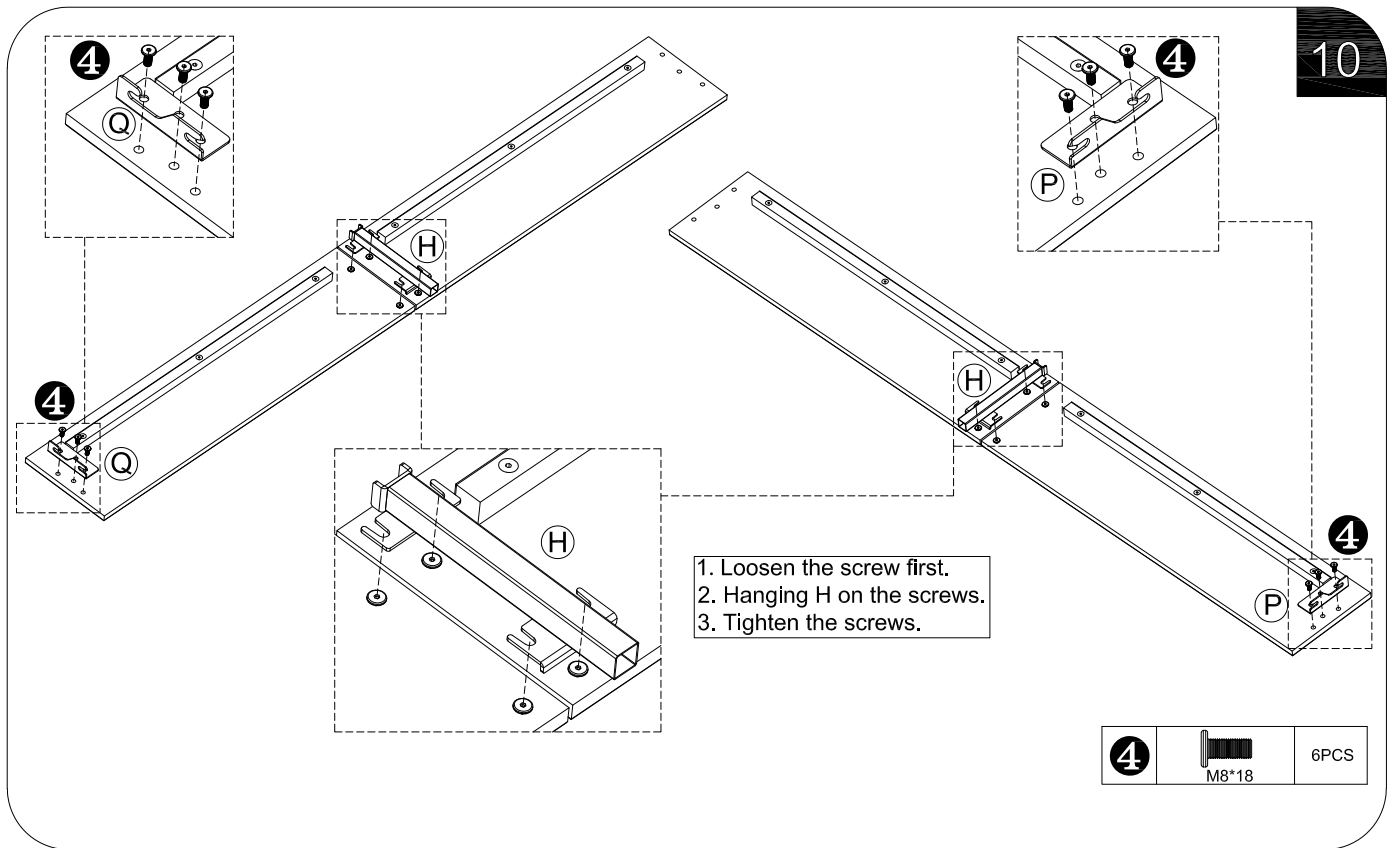
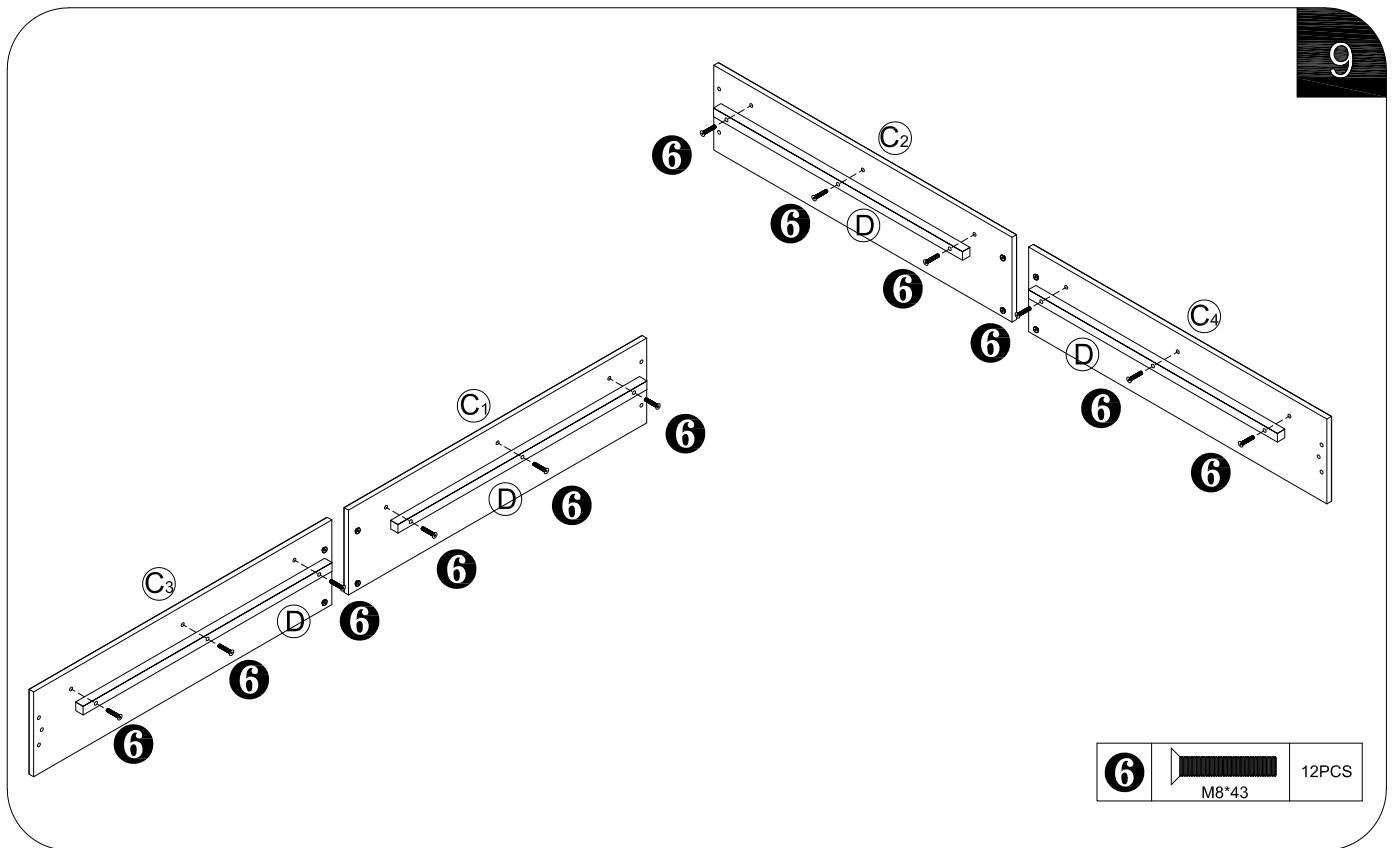


NOTICE	
THIS ARTICLE MEETS THE FLAMMABILITY REQUIREMENTS OF CALIFORNIA BUREAU OF ELECTRONIC AND APPLIANCE REPAIR, HOME FURNISHINGS AND THERMAL INSULATION TECHNICAL BULLETIN 1117-2013. CARE SHOULD BE EXERCISED NEAR OPEN FLAME OR WITH BURNING CIGARETTES.	
<p>ALL NEW MATERIAL CONSISTING OF POLYURETHANE FOAM PAD 30% POLYESTER FIBER 70%</p> <p>REG. NO. UT 6172(CN)</p>	
<p>THE UPHOLSTERY MATERIALS IN THIS PRODUCT CONTAIN ADDED FLAME RETARDANT CHEMICALS.</p> <p>CONFIRM NO ADDED FLAME RETARDANT CHEMICALS</p> <p>THE STATE OF CALIFORNIA HAS DETERMINED THAT THE FLAMMABILITY STANDARDS DETERMINED THAT THE FIRE SAFETY REQUIREMENTS FOR THIS PRODUCT CAN BE MET WITHOUT ADDING FLAME RETARDANT CHEMICALS. THE STATE HAS BEEN FREQUENTLY REVISITING THIS SUBJECT AND IS SUBJECT TO OR STRONGLY SUSPECTED OF ADVERSELY IMPACTING HUMAN HEALTH OR DEVELOPMENT.</p>	<p>UNDER PENALTY OF LAW THIS TAG NOT TO BE REMOVED EXCEPT BY THE CONSUMER</p> <p>CERTIFICATION IS MADE BY THE MANUFACTURER THAT THE MATERIALS IN THIS ARTICLE ARE DESCRIBED IN ACCORDANCE WITH LAW</p> <p>California 93120 Phase 2 and TSCA Title VI Compliant for Formaldehyde MADE IN CHINA</p> <p>WARNING: This product can expose you to chemicals including wood dust, which is known to the State of California to cause cancer. For more information go to www.P65Warnings.ca.gov/forlumber.</p>

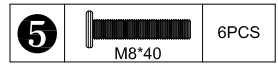
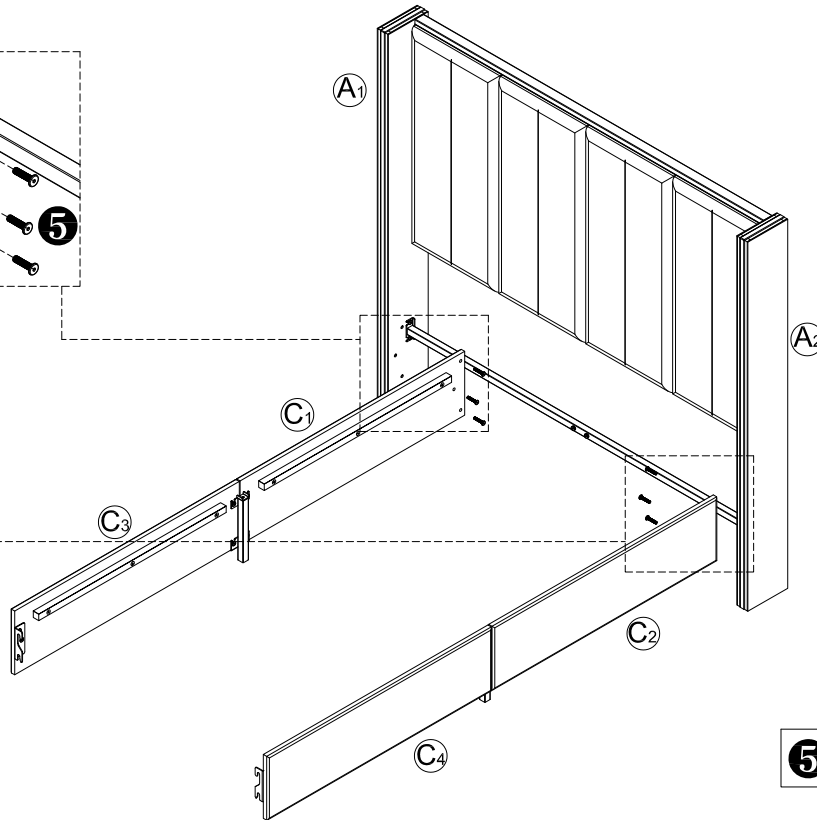
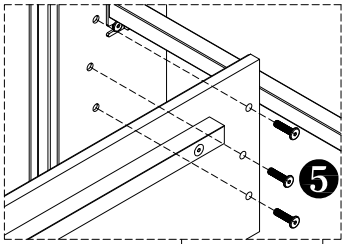
6



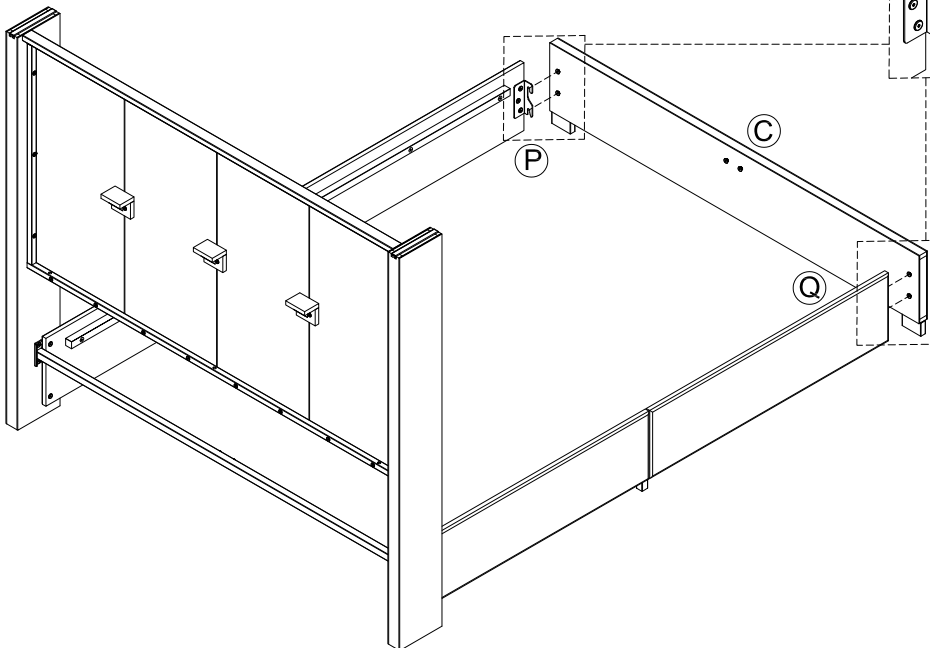
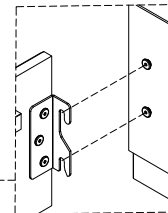




11

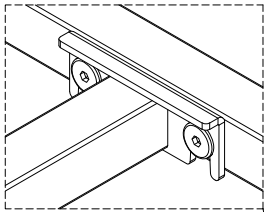


12

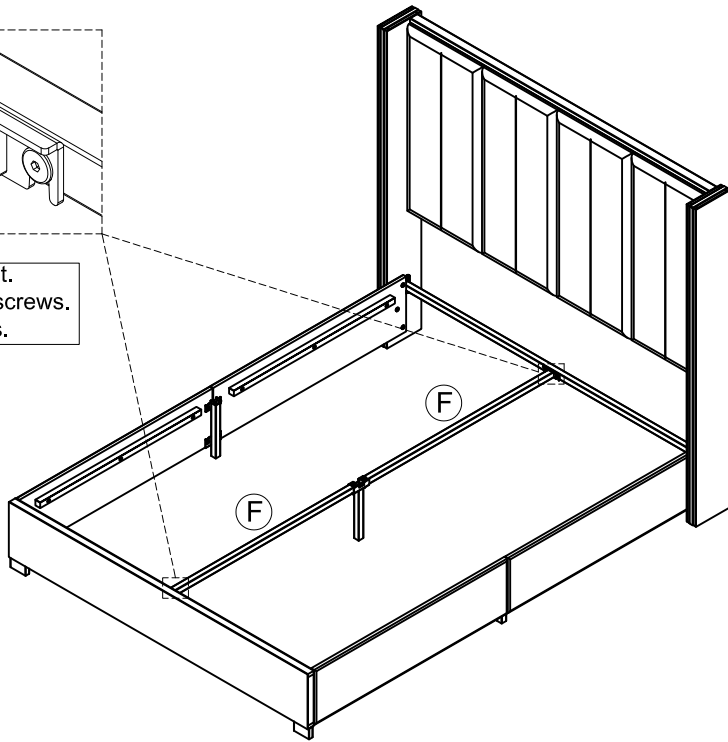


1. Loosen the screw first.
2. Hanging P/Q on the screws.
3. Tighten the screws.

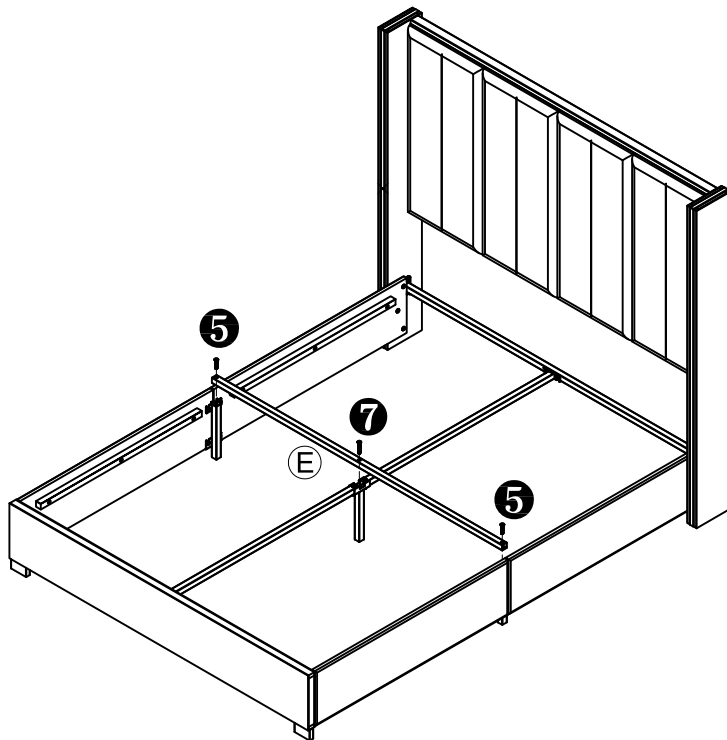
13





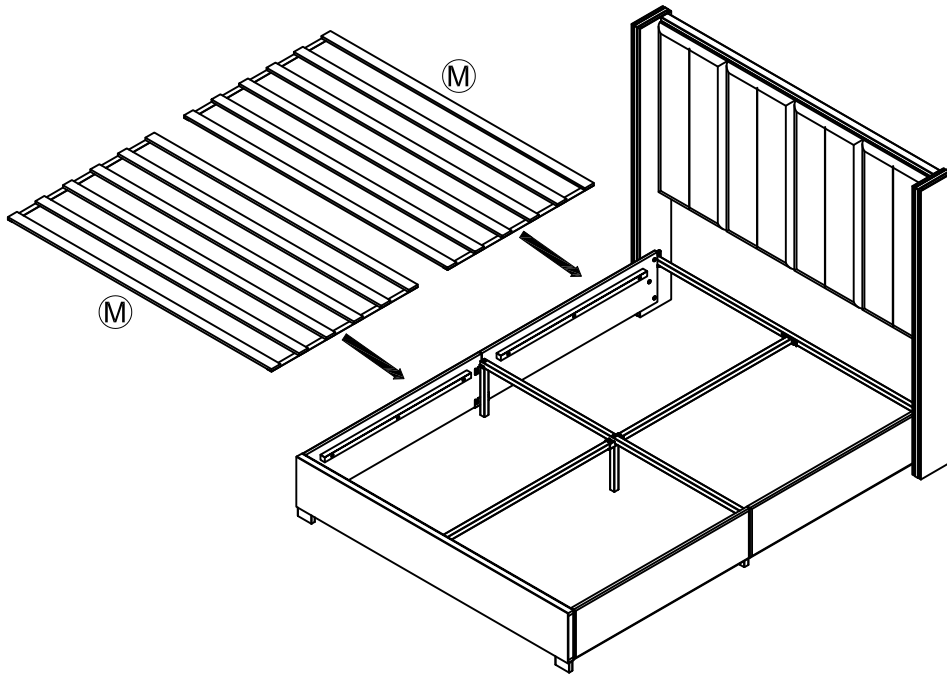
Loosen the screw first.
2. Hanging F on the screws.
3. Tighten the screws.



14



5	 M8*40	2PCS
7	 M8*50	1PCS



Finish

