

BUB013-K

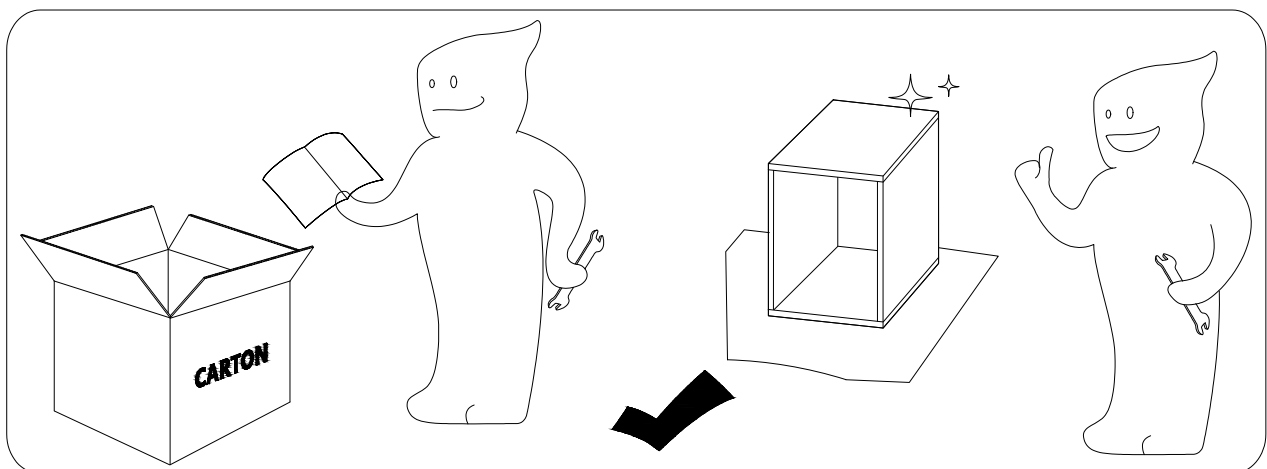
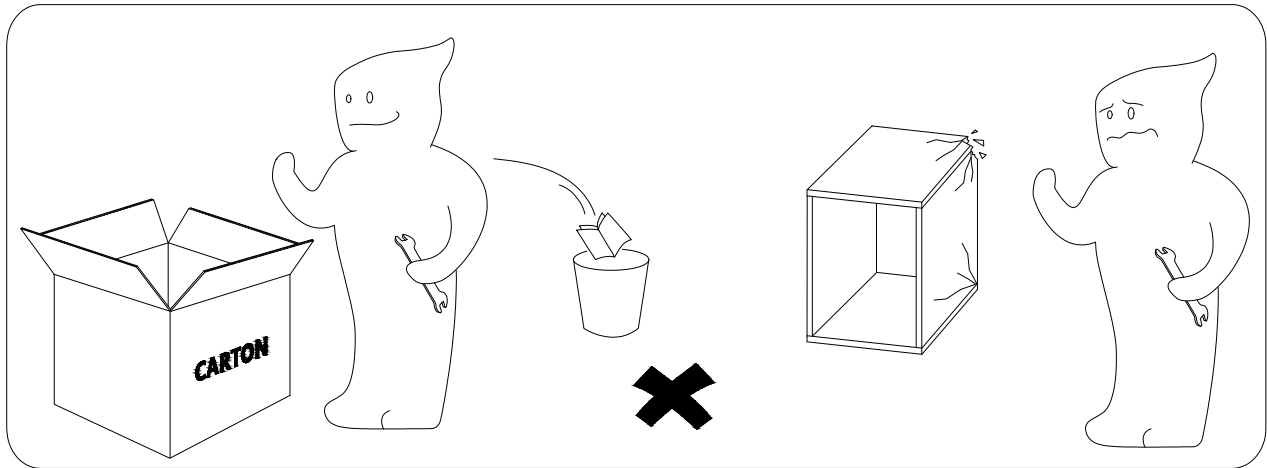
Dear Customers,

Thank you for purchasing our product. Please read this instruction manual carefully after receiving this product. It will help you assemble this product quickly, safely and correctly. You can keep this manual for future reference.

home page

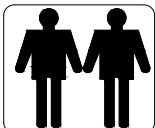
! IMPORTANT

Please follow the instruction manuals and use a pad to protect the product during your assembly.

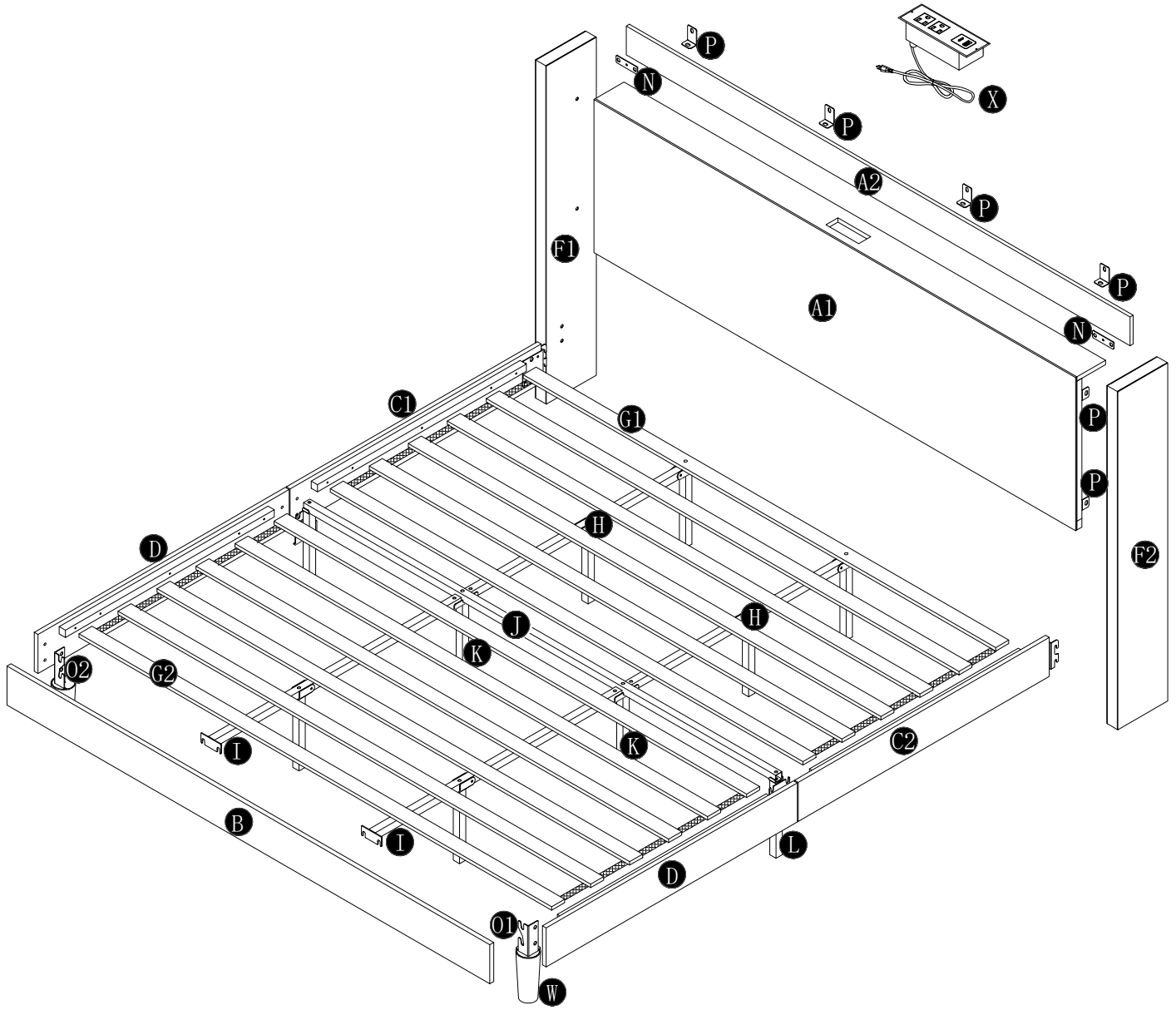


Note:

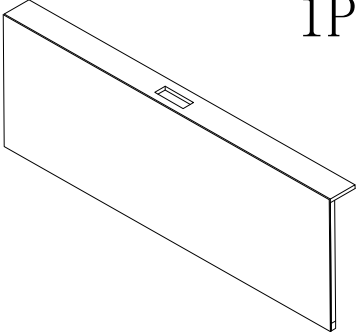
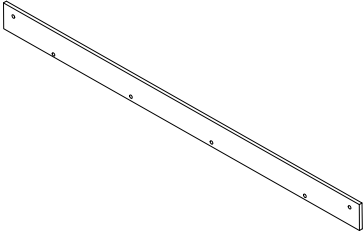
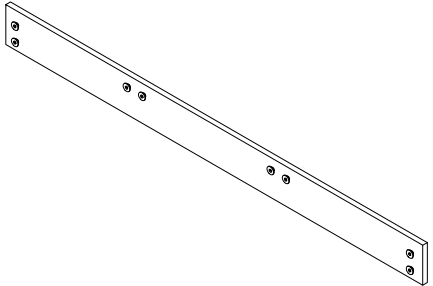
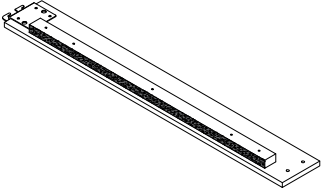
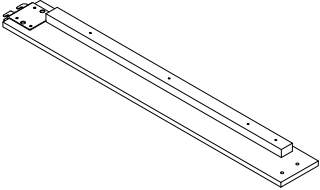
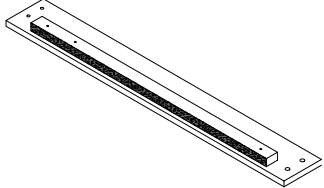
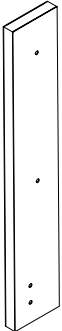

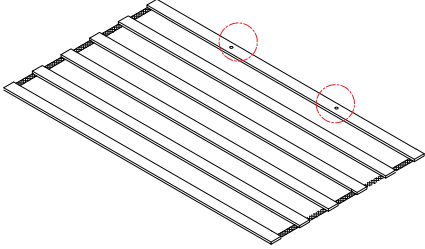
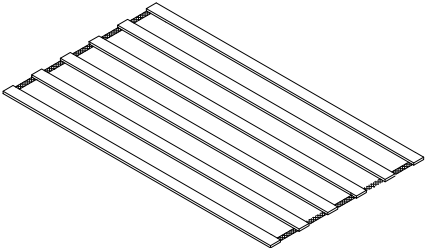
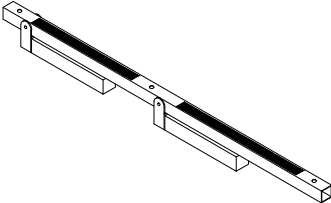
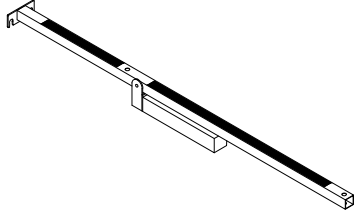
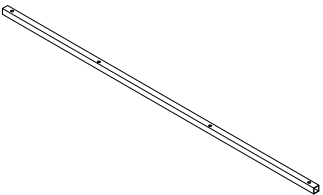
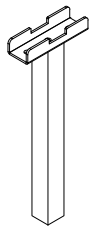
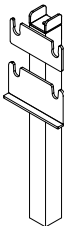
1. Should be assembled on flat ground to keep balance.
2. Before completing the installation, do not tighten the screws.



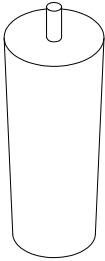
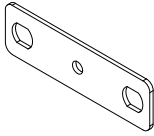
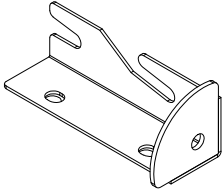
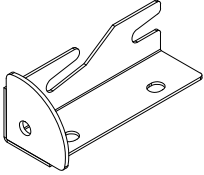
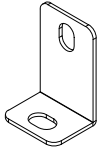
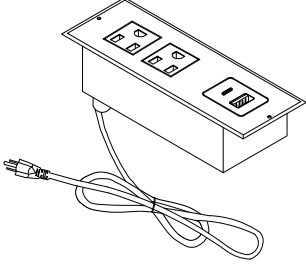
For easier and better assembly, 2 or more adults are required.



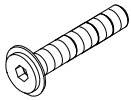
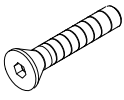
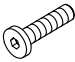
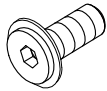
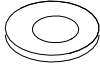
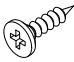
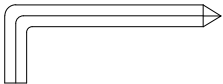
Part list

| | | |
|---|---|---|
| <p>A1 1PC</p>  | <p>A2 1PC</p>  | <p>B 1PC</p>  |
| <p>C1 1PC</p>  | <p>C2 1PC</p>  | <p>D 2PCS</p>  |
| <p>F1 1PC</p>  | <p>F2 1PC</p>  | <p>G1 1PC</p>  |
| <p>G2 1PC</p>  | <p>H 2PCS</p>  | <p>I 2PCS</p>  |
| <p>J 1PC</p>  | <p>K 2PCS</p>  | <p>L 2PCS</p>  |

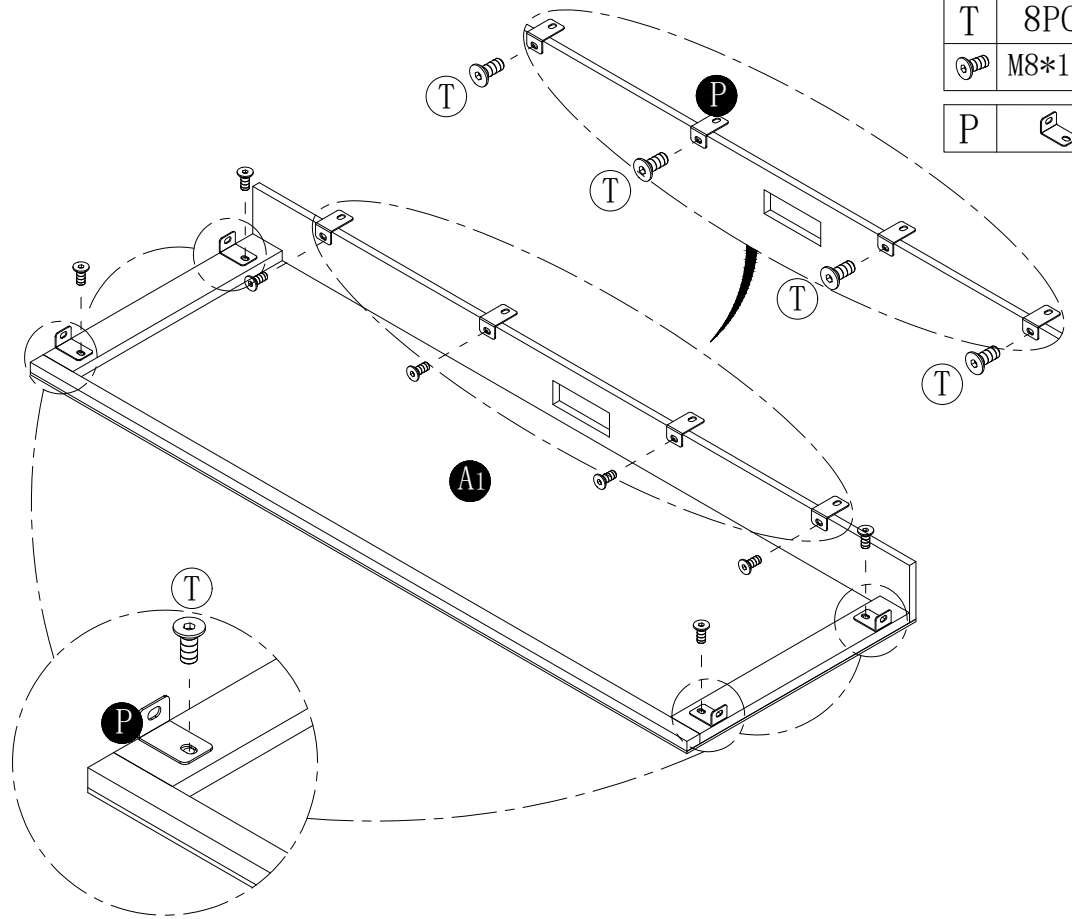
Part list

| | | | | | |
|---|------|---|------|---|-----|
| M | 2PCS | N | 2PCS | O1 | 1PC |
|  | |  | |  | |
| O2 | 1PC | P | 8PCS | X | 1PC |
|  | |  | |  | |
| | | | | | |

Hardware list

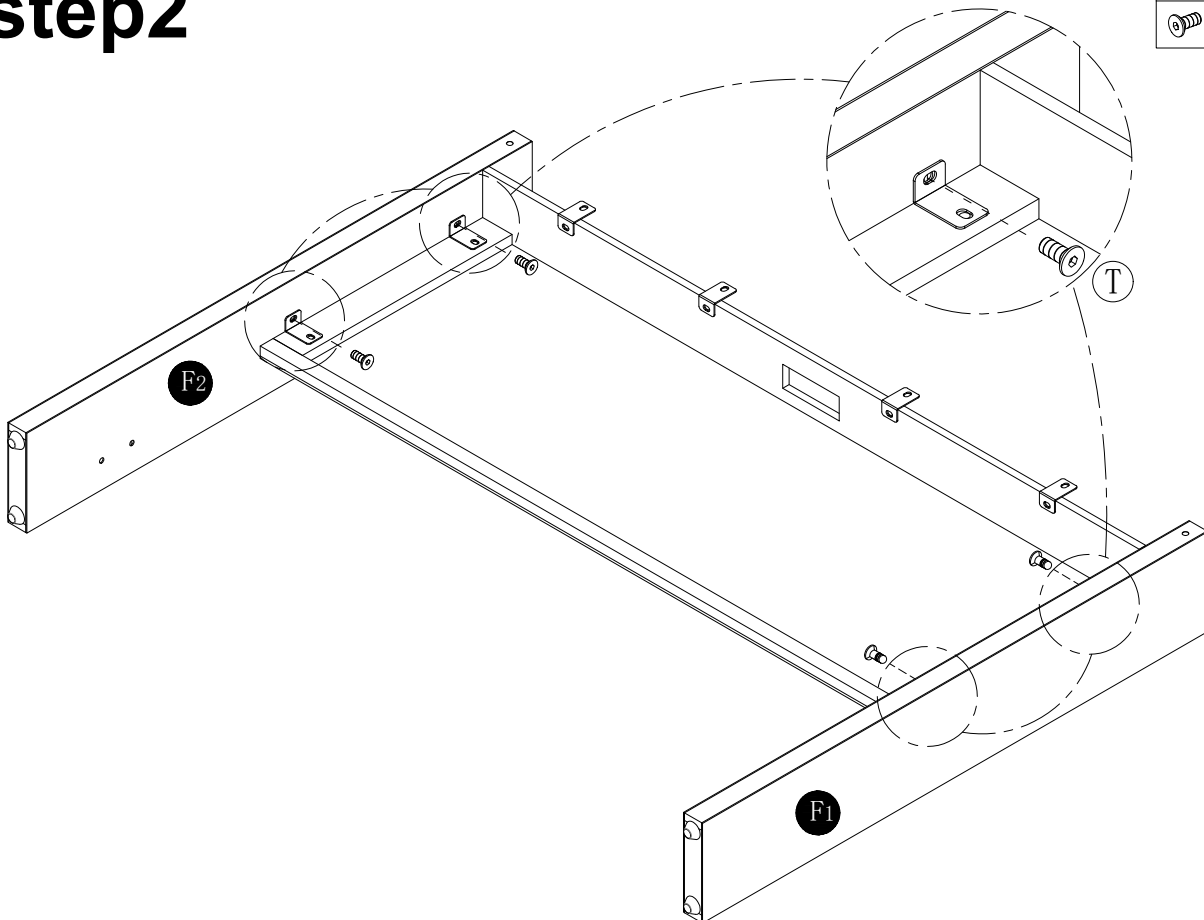
| | | | | | |
|---|------------|---|---------|---|---------|
| Q | 4PCS | S | 4PCS | R | 10PCS |
|  | M8*50mm |  | M8*50mm |  | M8*40mm |
| T | 36PCS | U | 14PCS | W | 2PCS |
|  | M8*18mm |  | Ø22*2.0 |  | M3*16mm |
| V | 1PC | | | | |
|  | M8 Spanner | | | | |

step1

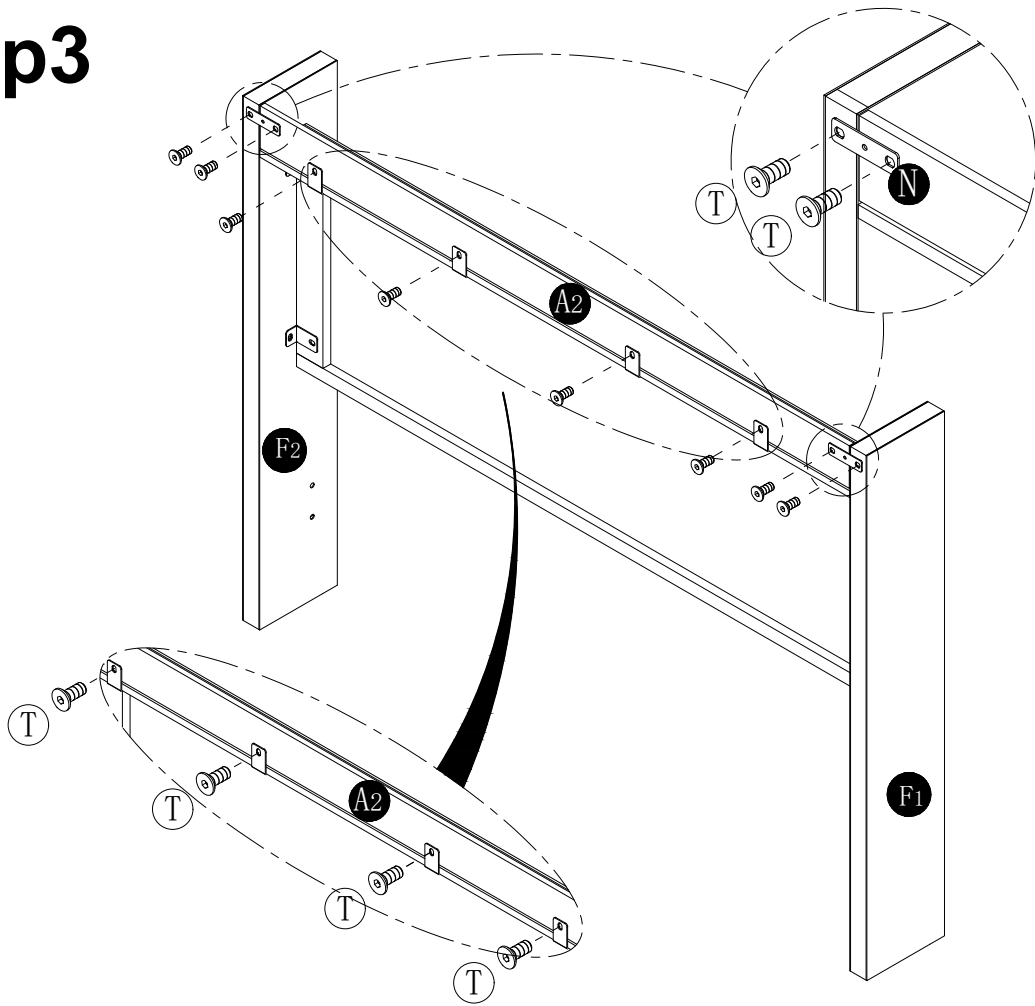




Back side

step2

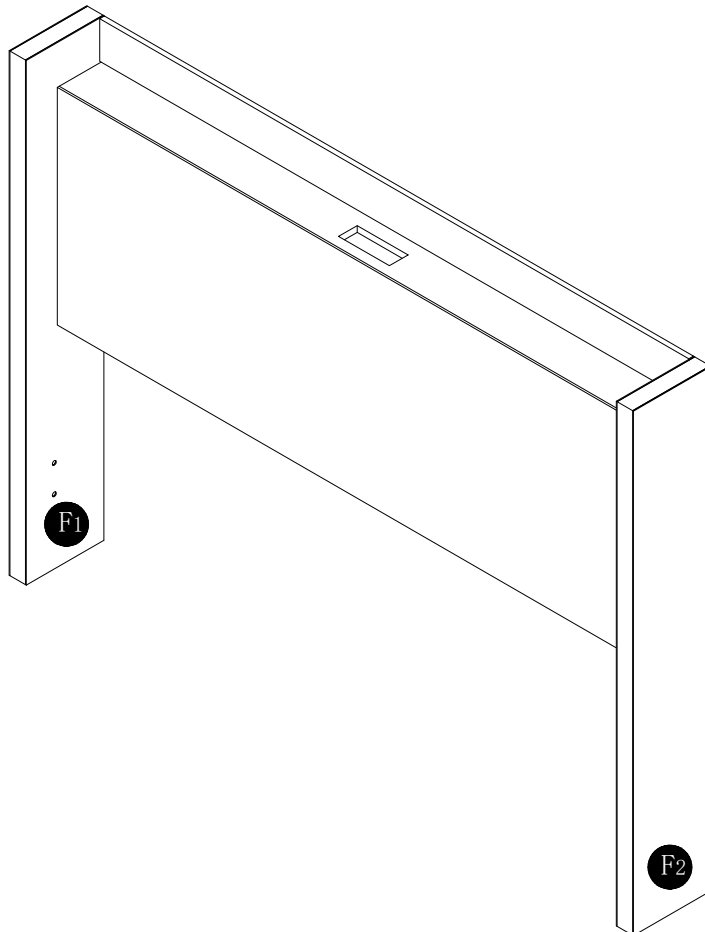


step3




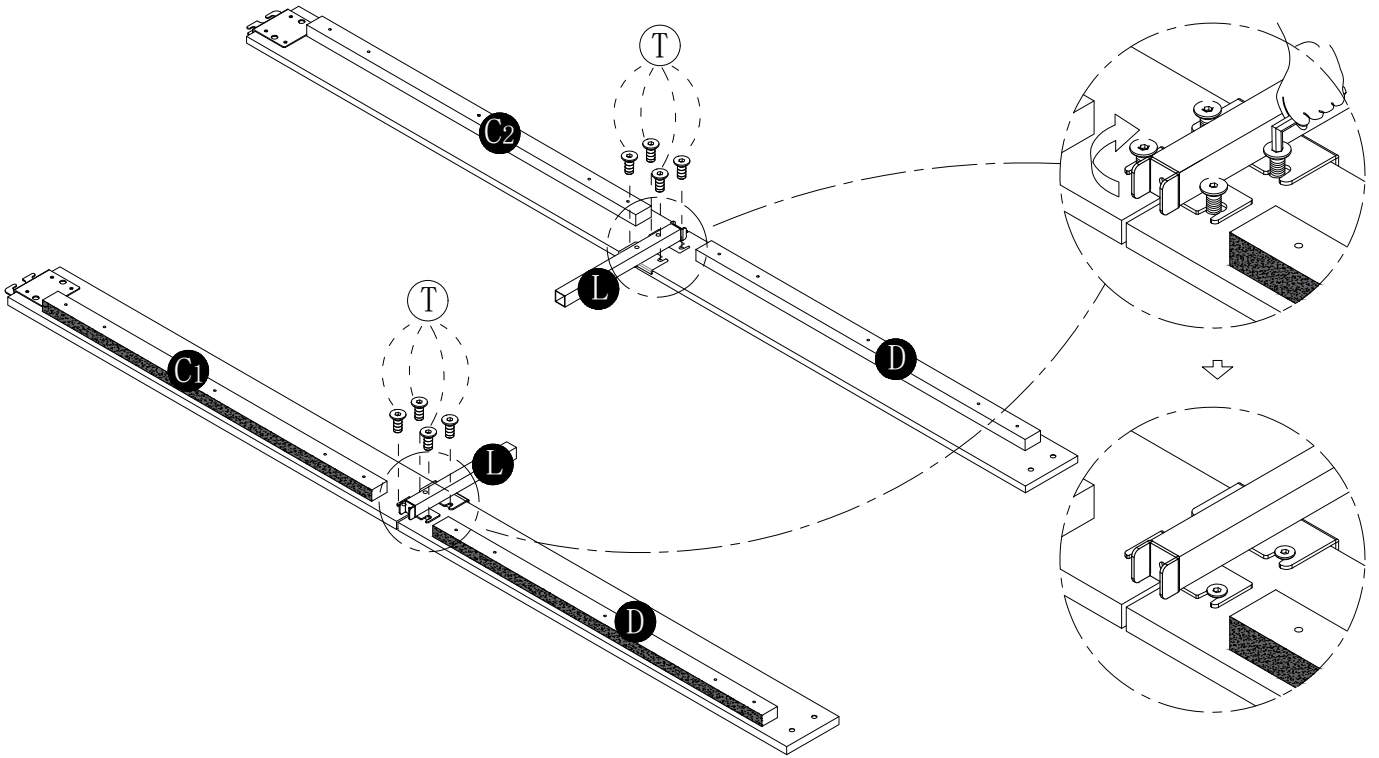
| | |
|---|---|
| T | 8PCS |
|  | M8*18mm |
| N |  |

step4




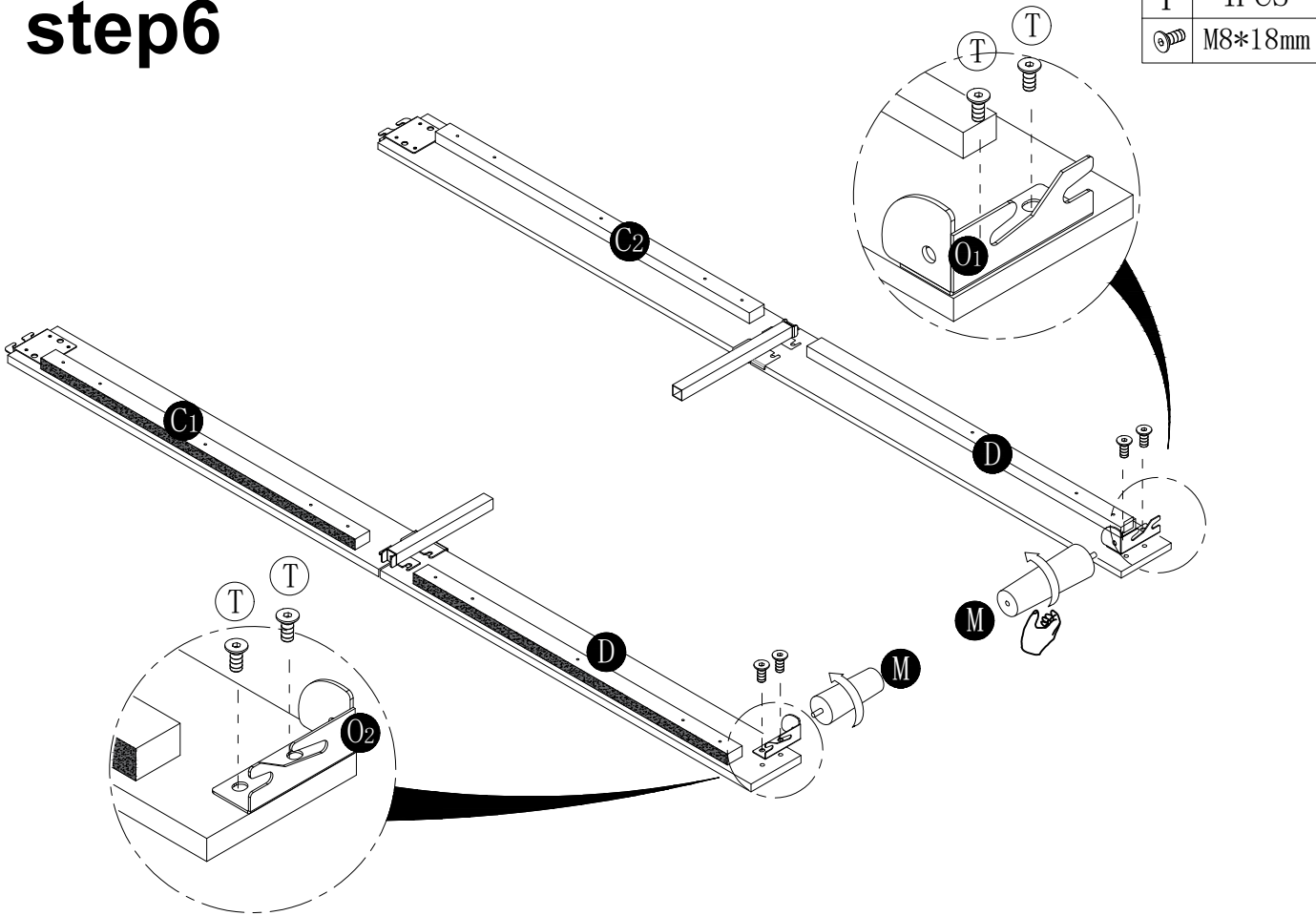
step5

| | |
|---|---------|
| T | 8PCS |
|  | M8*18mm |





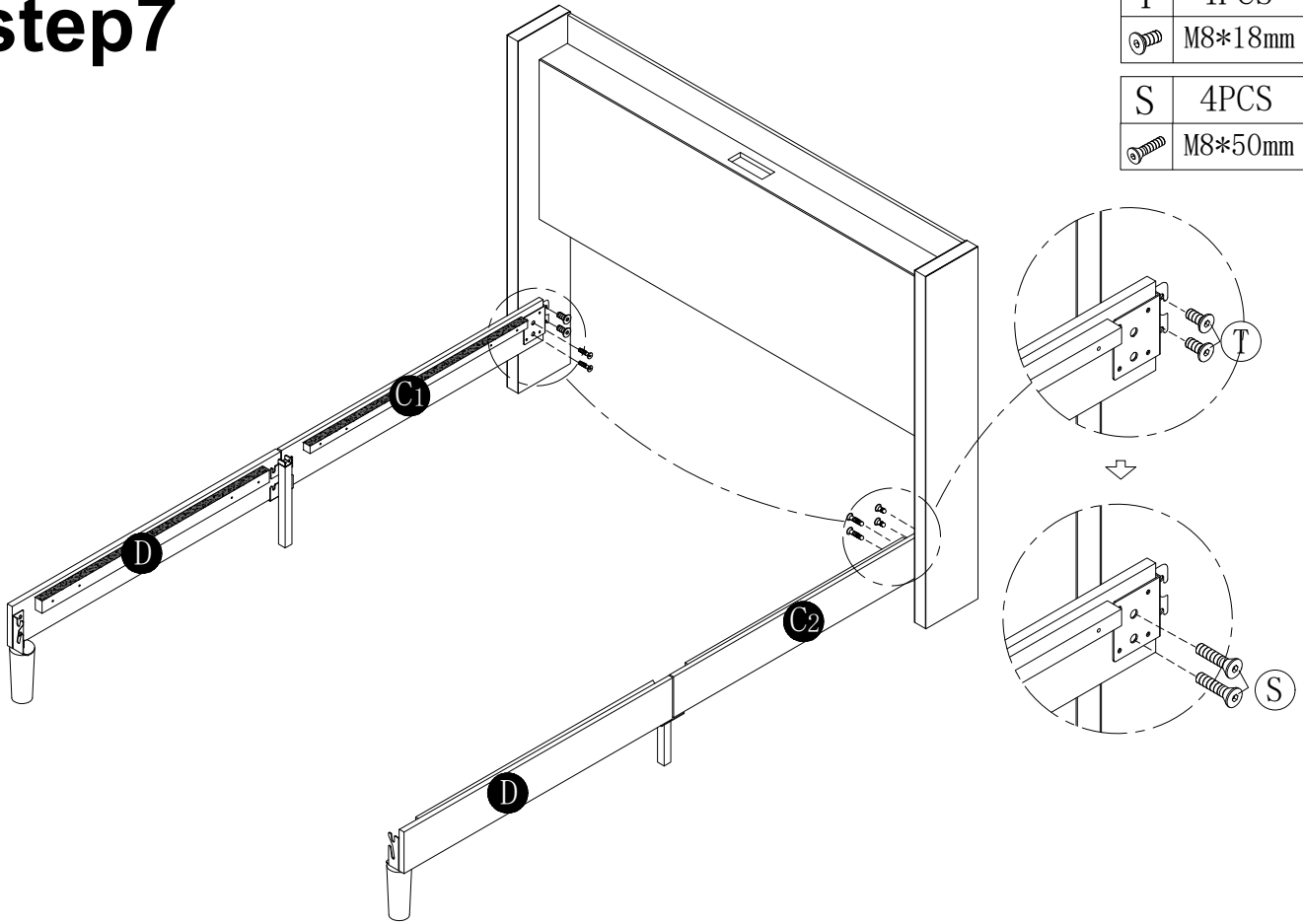
step6

| | |
|---|---------|
| T | 4PCS |
|  | M8*18mm |



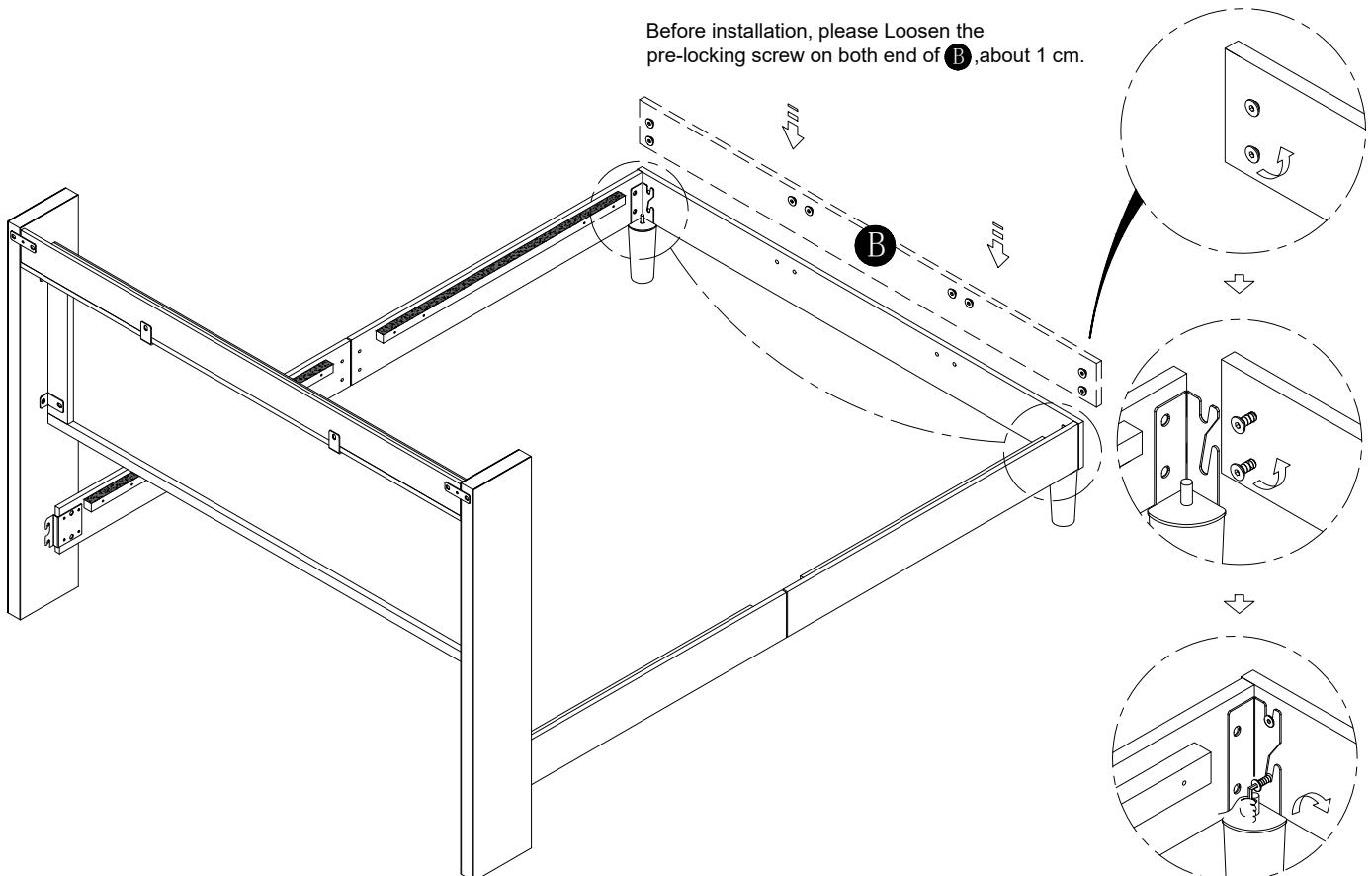
step7

| | |
|---|---------|
| T | 4PCS |
|  | M8*18mm |
| S | 4PCS |
|  | M8*50mm |





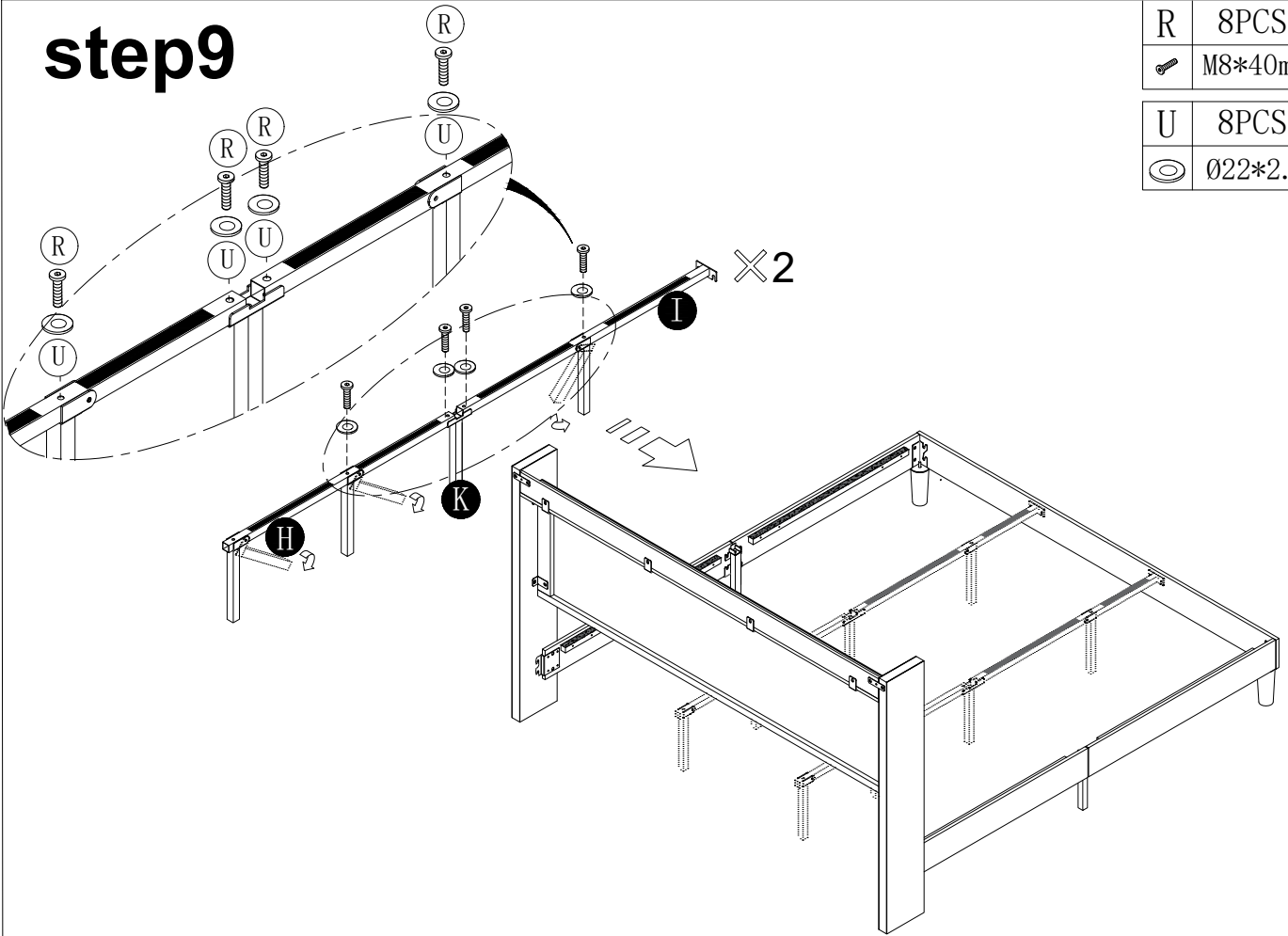
step8

Before installation, please Loosen the pre-locking screw on both end of **B**, about 1 cm.



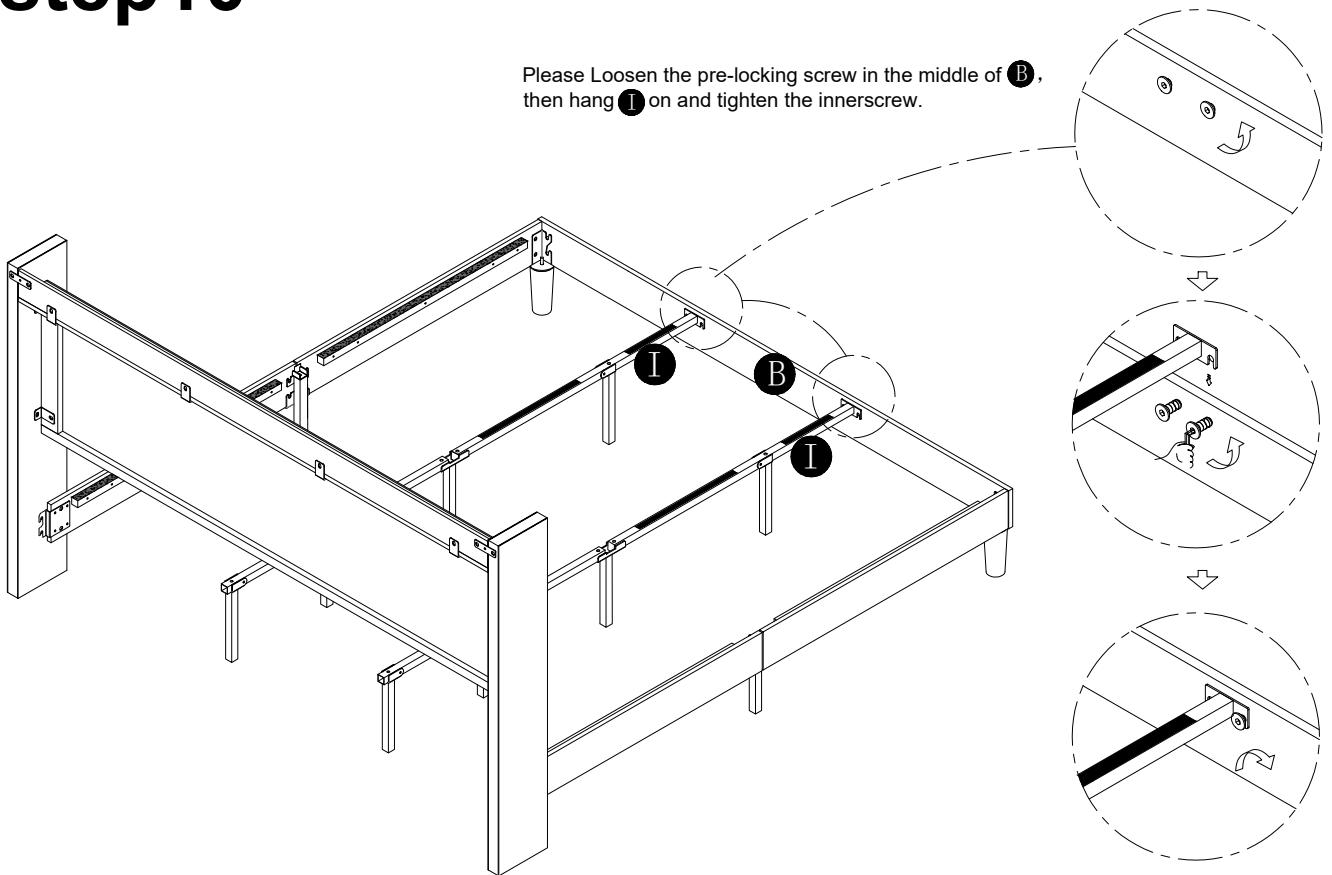
step9

| | |
|---|---------|
| R | 8PCS |
|  | M8*40mm |
| U | 8PCS |
|  | Ø22*2.0 |

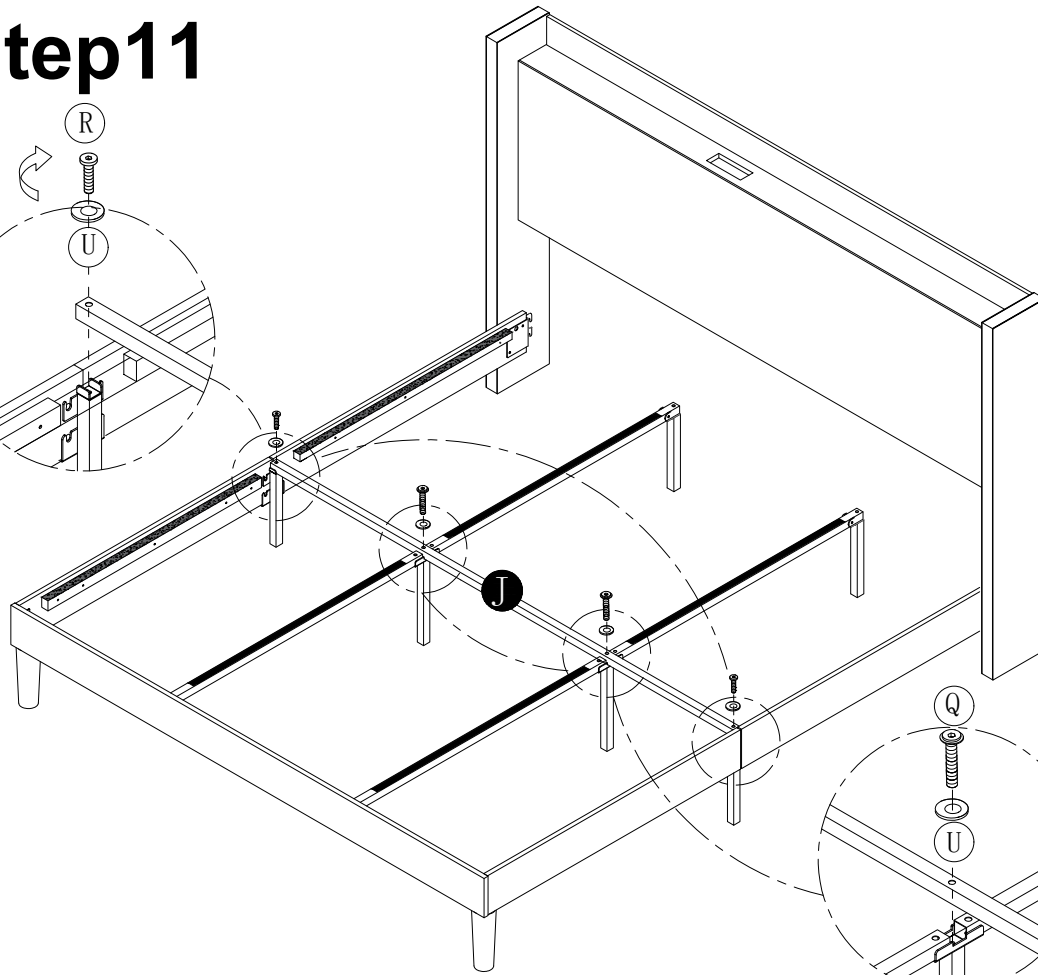
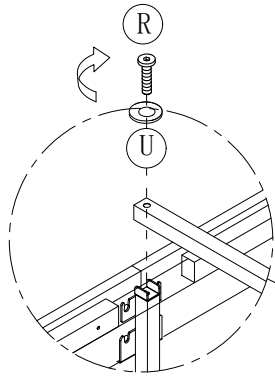





step10

Please Loosen the pre-locking screw in the middle of **B**, then hang **I** on and tighten the innerscrew.

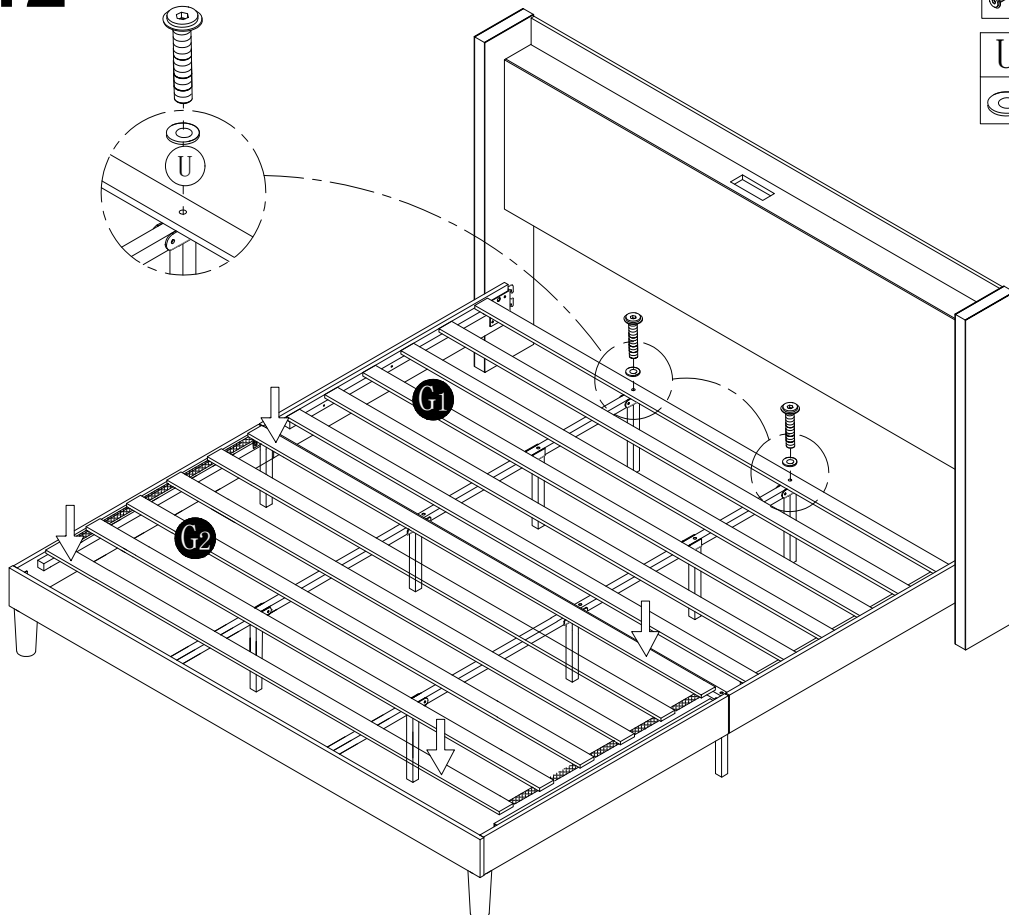
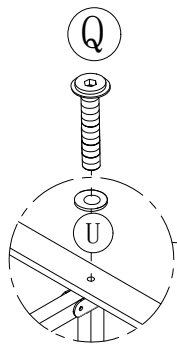




step11




| | |
|---|---------|
| Q | 2PCS |
|  | M8*50mm |
| R | 2PCS |
|  | M8*40mm |
| U | 4PCS |
|  | Ø22*2.0 |

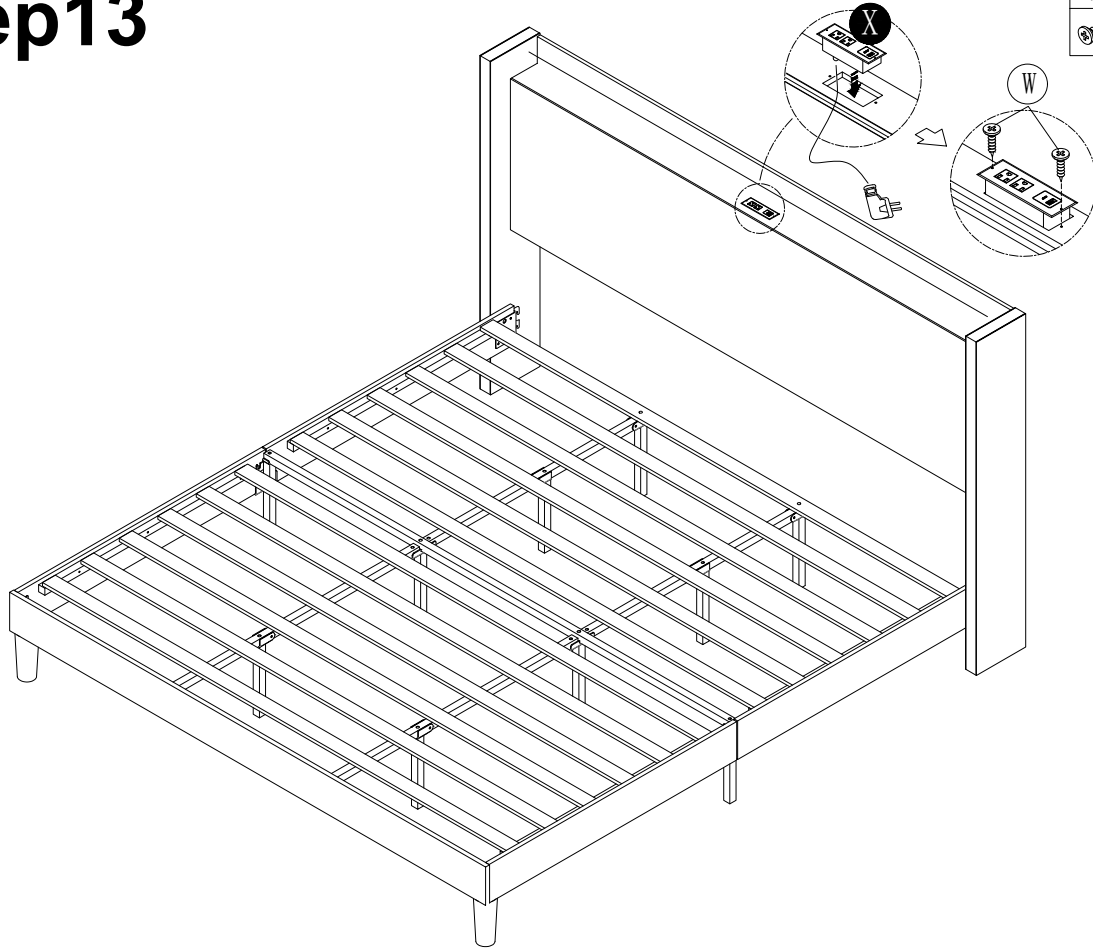
step12



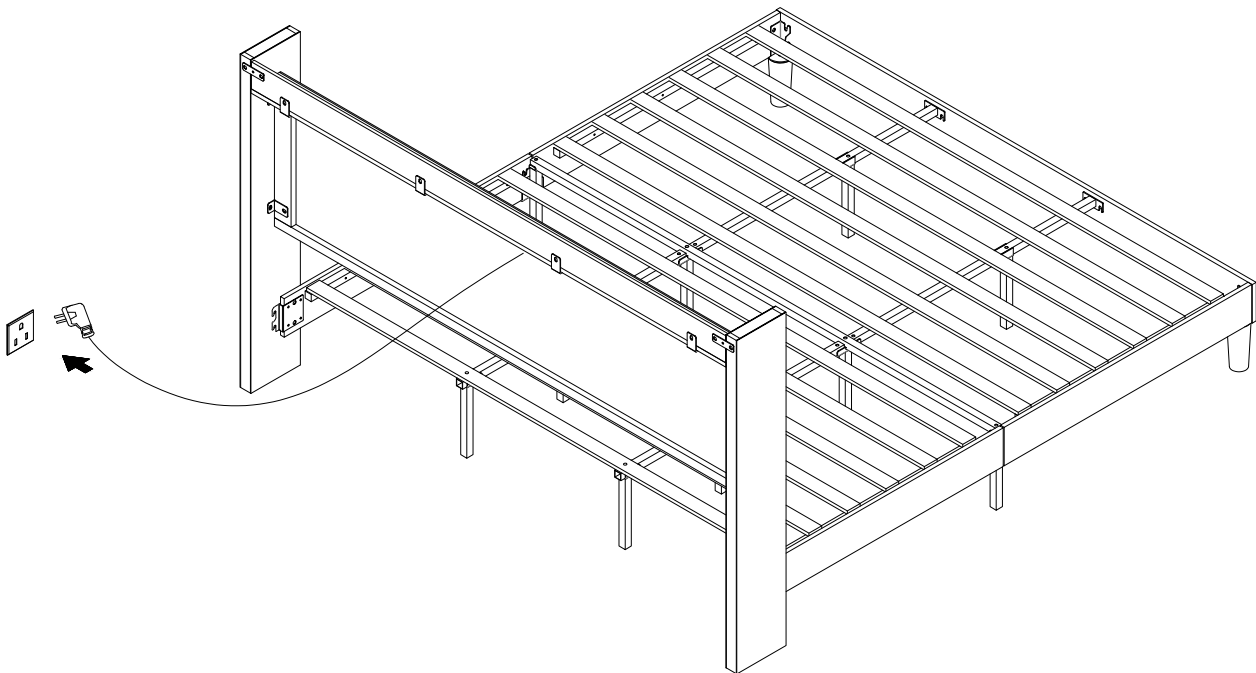
| | |
|---|---------|
| Q | 2PCS |
|  | M8*50mm |
| U | 2PCS |
|  | Ø22*2.0 |

step13

| | |
|---|---------|
| W | 2PCS |
|  | M3*16mm |



step14



Installation Complete