

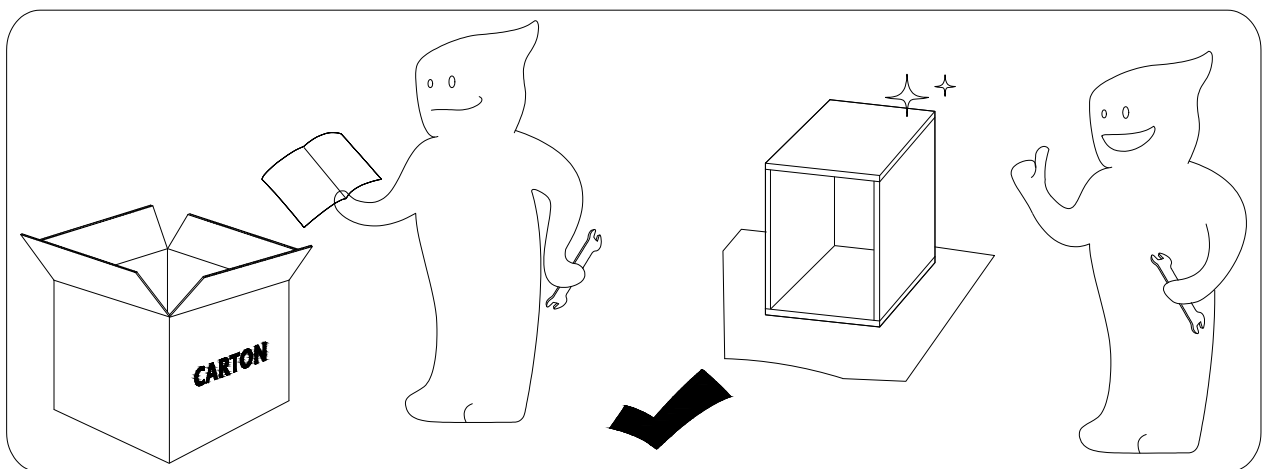
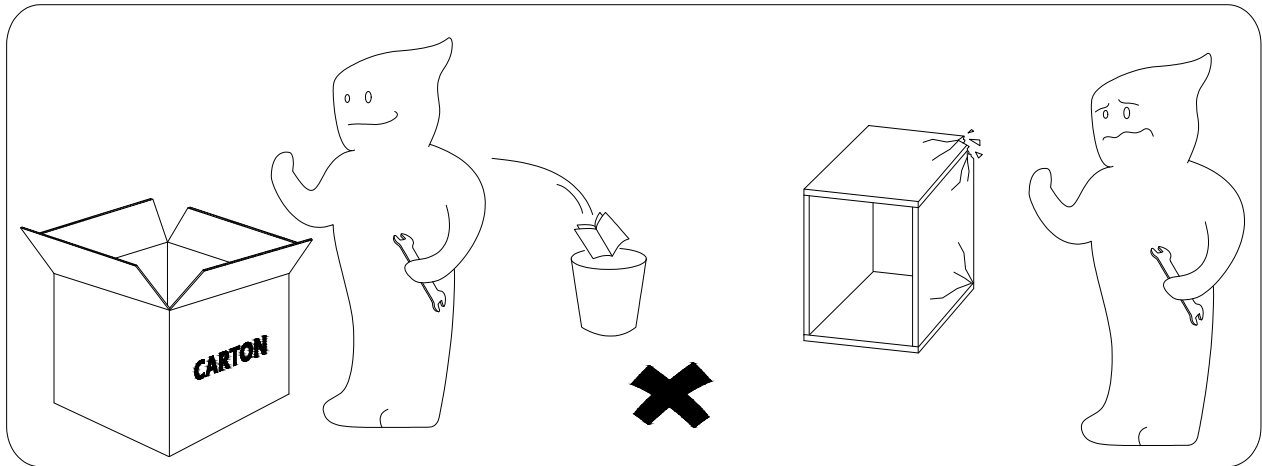
## **BUB013-FQ**

Dear Customers,  
Thank you for purchasing our product. Please read this instruction manual carefully after receiving this product. It will help you assemble this product quickly, safely and correctly. You can keep this manual for future reference.

home page

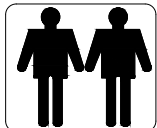
# ! IMPORTANT

Please follow the instruction manuals and use a pad to protect the product during your assembly.

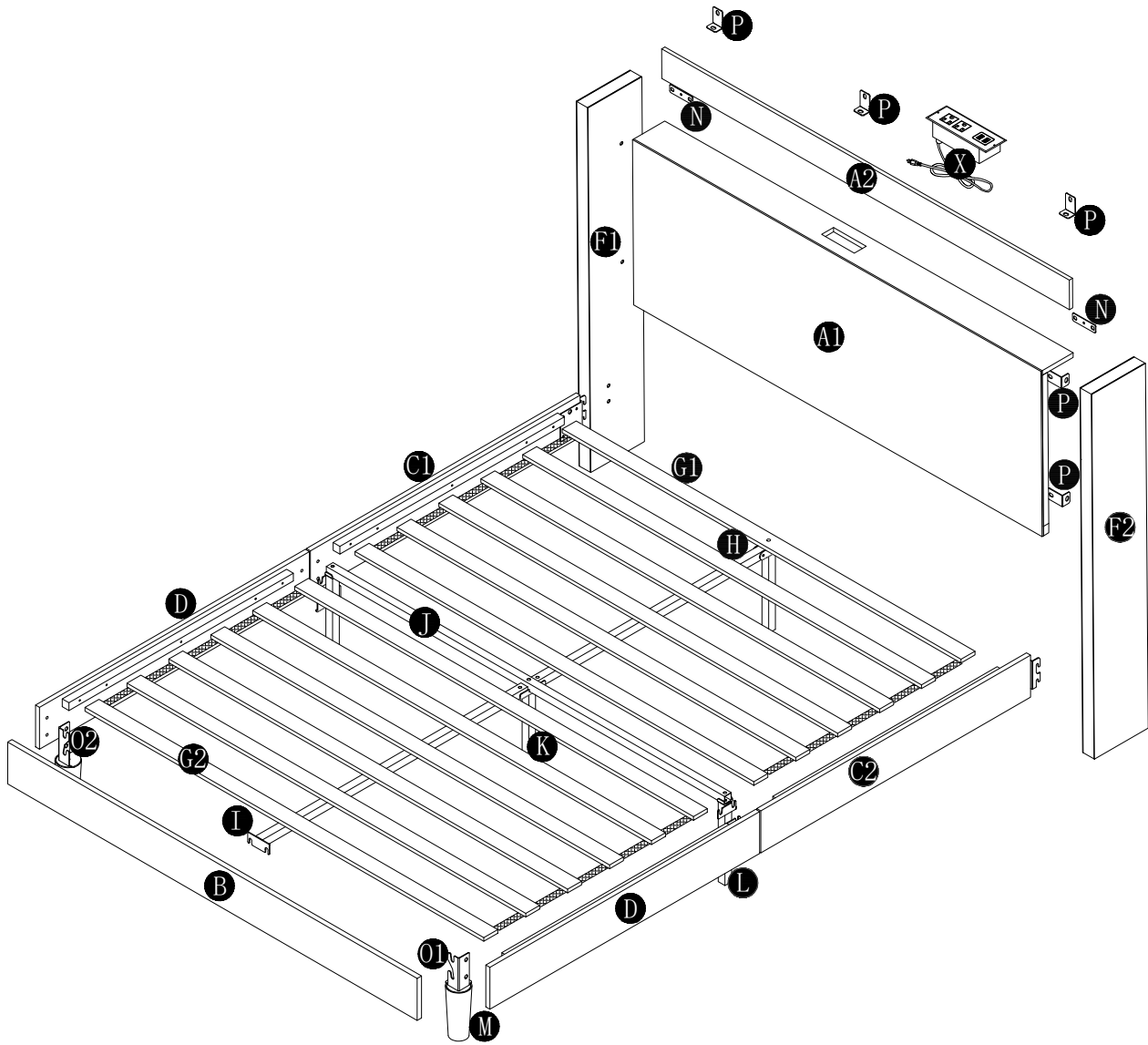


Note:

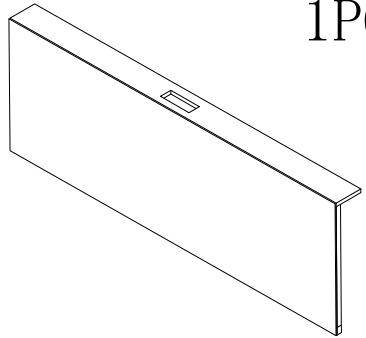
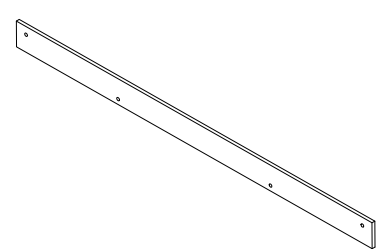
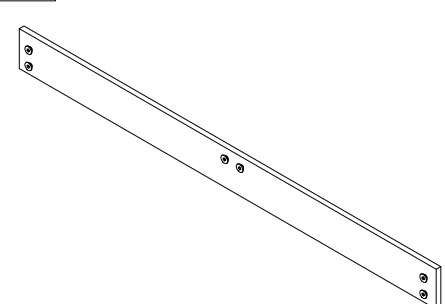
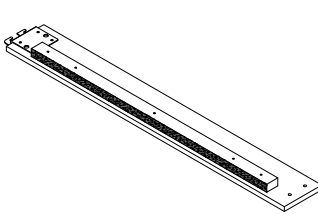
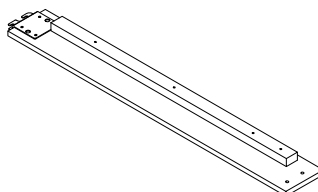
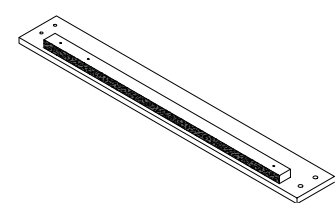
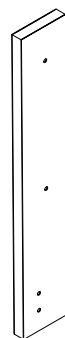

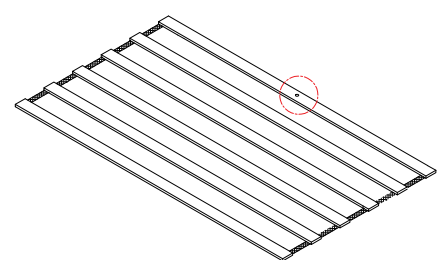
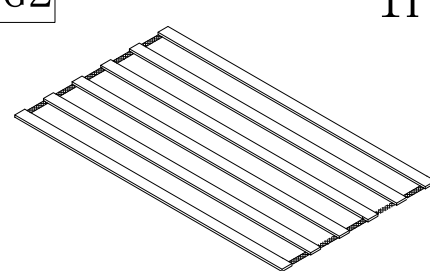
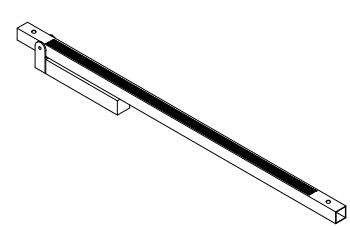
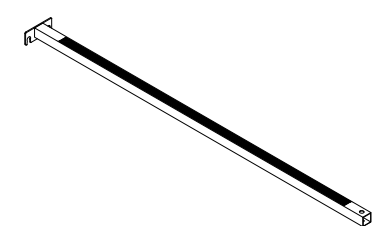
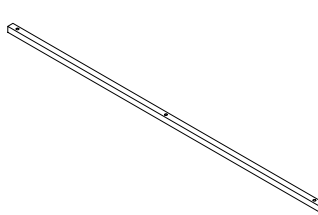
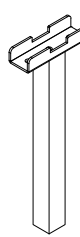
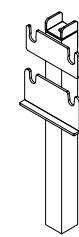
1. Should be assembled on flat ground to keep balance.
2. Before completing the installation, do not tighten the screws.



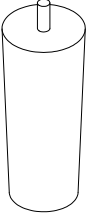
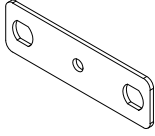
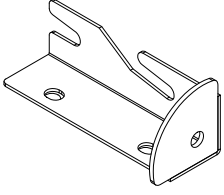
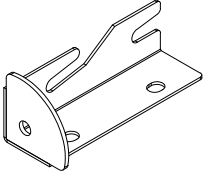
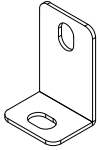
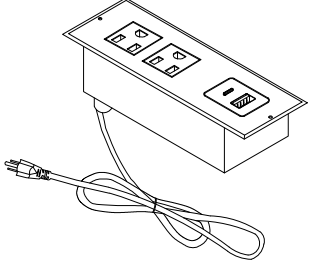
For easier and better assembly, 2 or more adults are required.



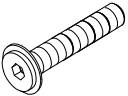
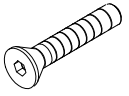
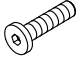
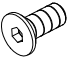

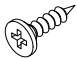

# Part list

<p>A1 1PC</p> 	<p>A2 1PC</p> 	<p>B 1PC</p> 
<p>C1 1PC</p> 	<p>C2 1PC</p> 	<p>D 2PCS</p> 
<p>F1 1PC</p> 	<p>F2 1PC</p> 	<p>G1 1PC</p> 
<p>G2 1PC</p> 	<p>H 1PC</p> 	<p>I 1PC</p> 
<p>J 1PC</p> 	<p>K 1PC</p> 	<p>L 2PCS</p> 



# Part list

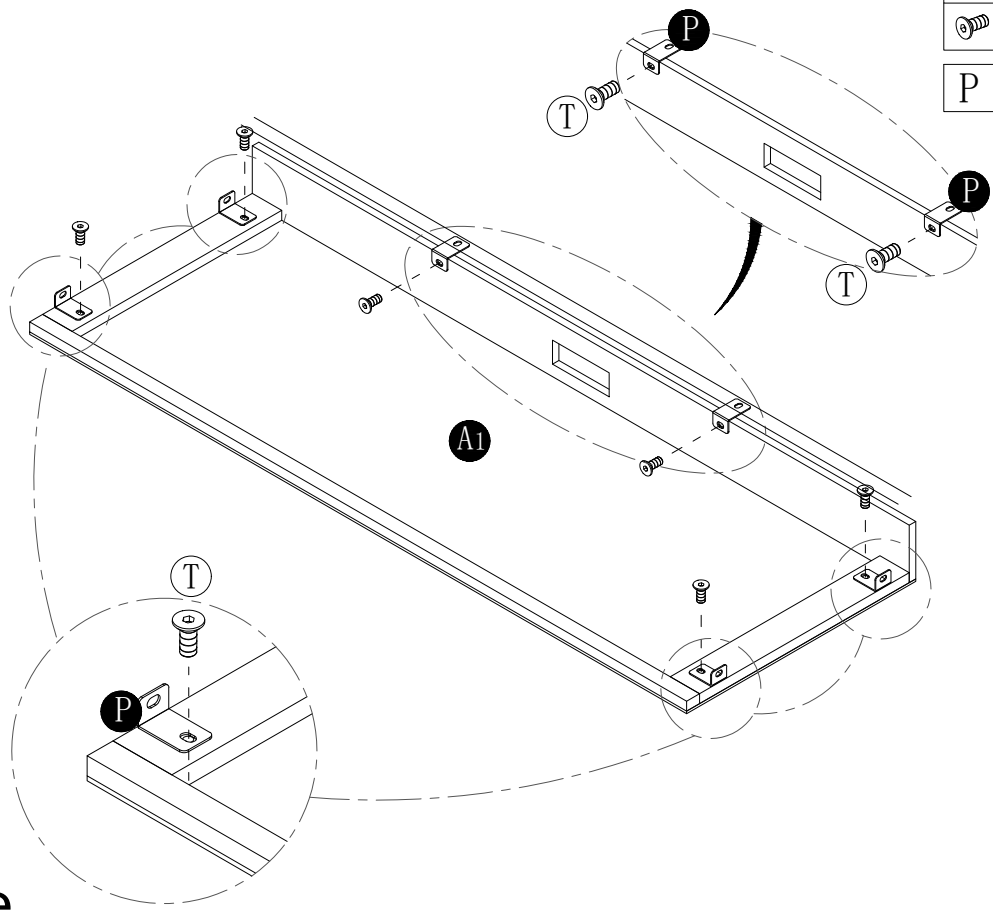
M	2PCS	N	2PCS	01	1PC
					
02	1PC	P	6PCS	X	1PC
					

# Hardware list

Q	2PCS	S	4PCS	R	4PCS
	M8*50mm		M8*50mm		M8*40mm
T	32PCS	U	6PCS	W	2PCS
	M8*18mm		Ø22*2.0		M3*16mm
V	1PC				
	M8 Spanner				


# step1

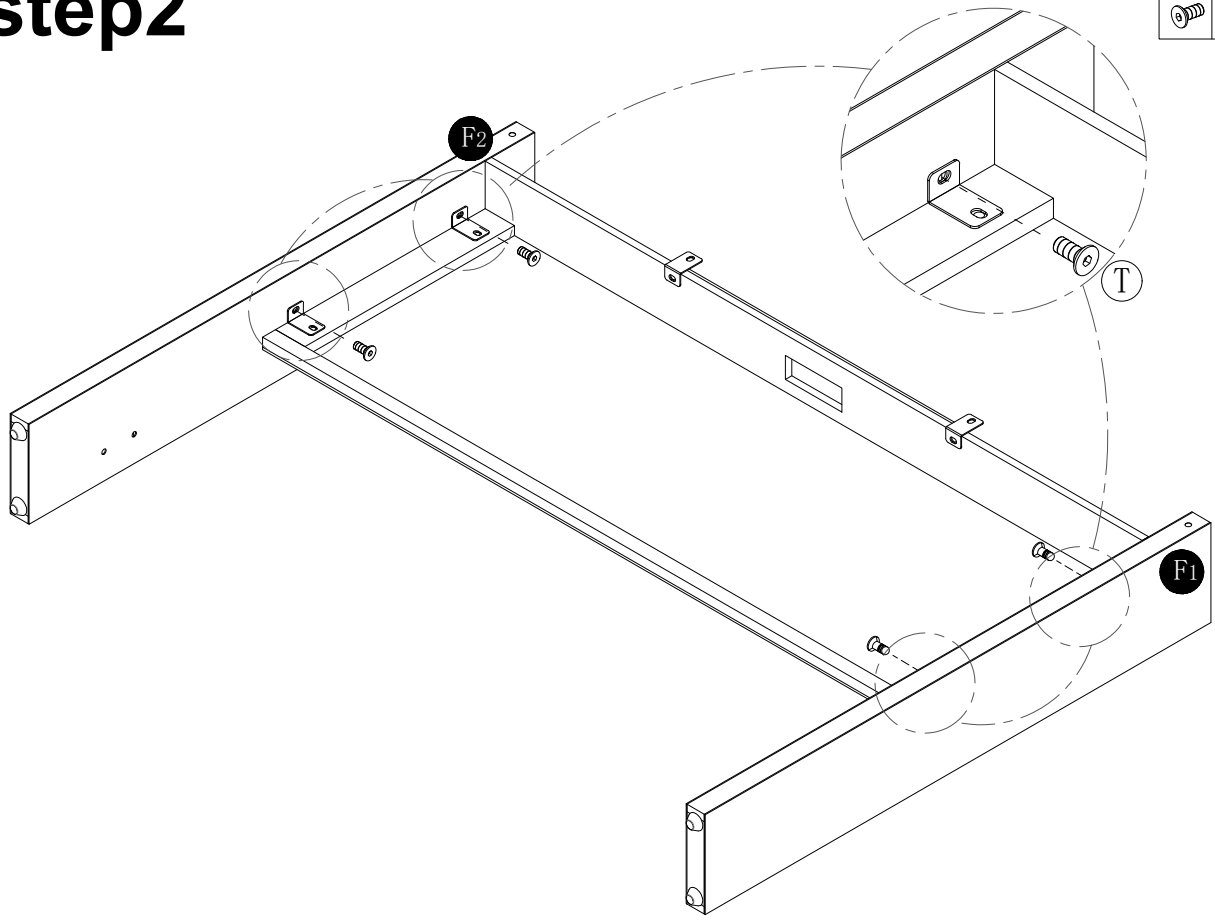
T	6PCS
	M8*18mm
P	



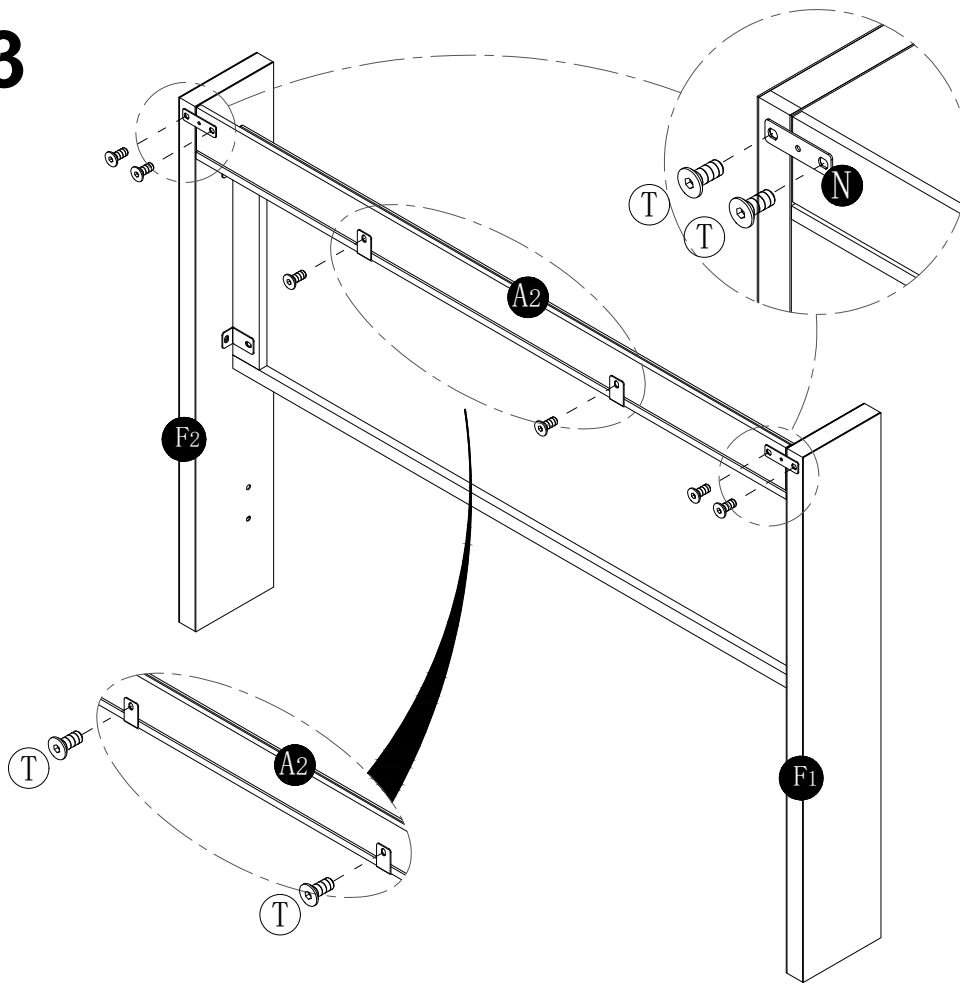
Back side



# step2

T	4PCS
	M8*18mm

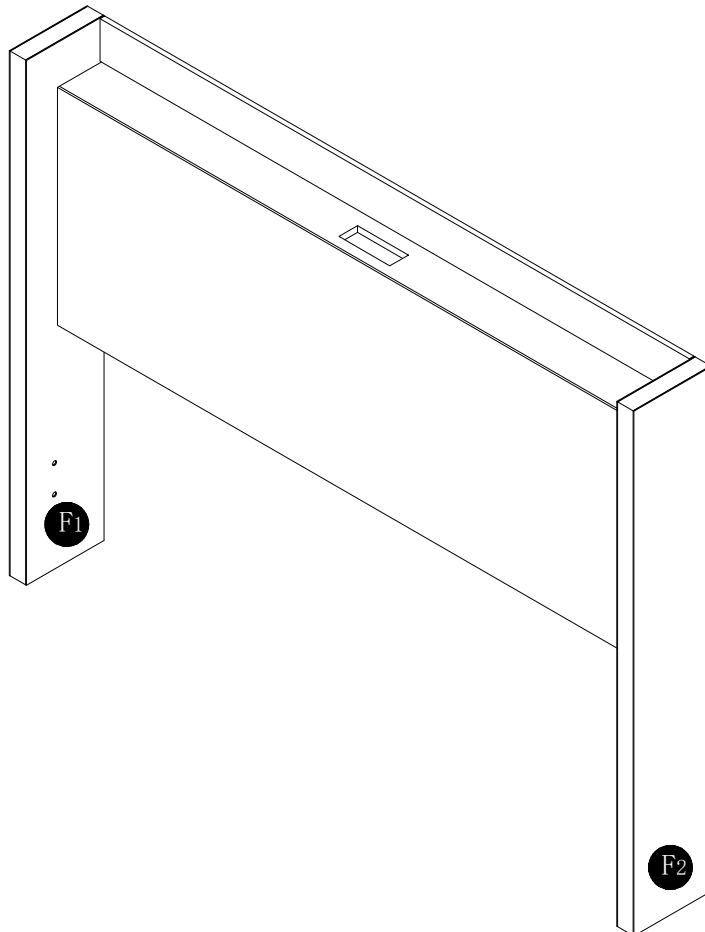


# step3




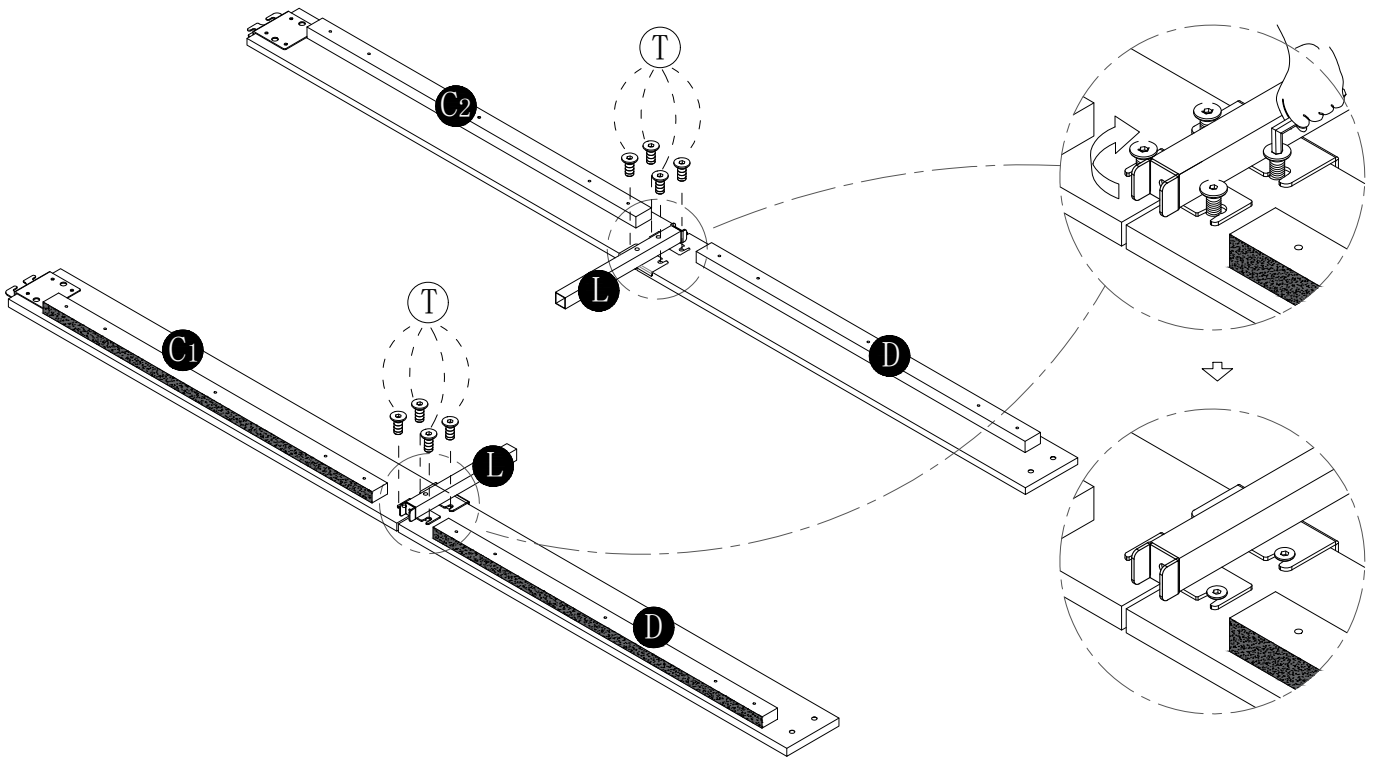
T	6PCS
	M8*18mm
N	

# step4




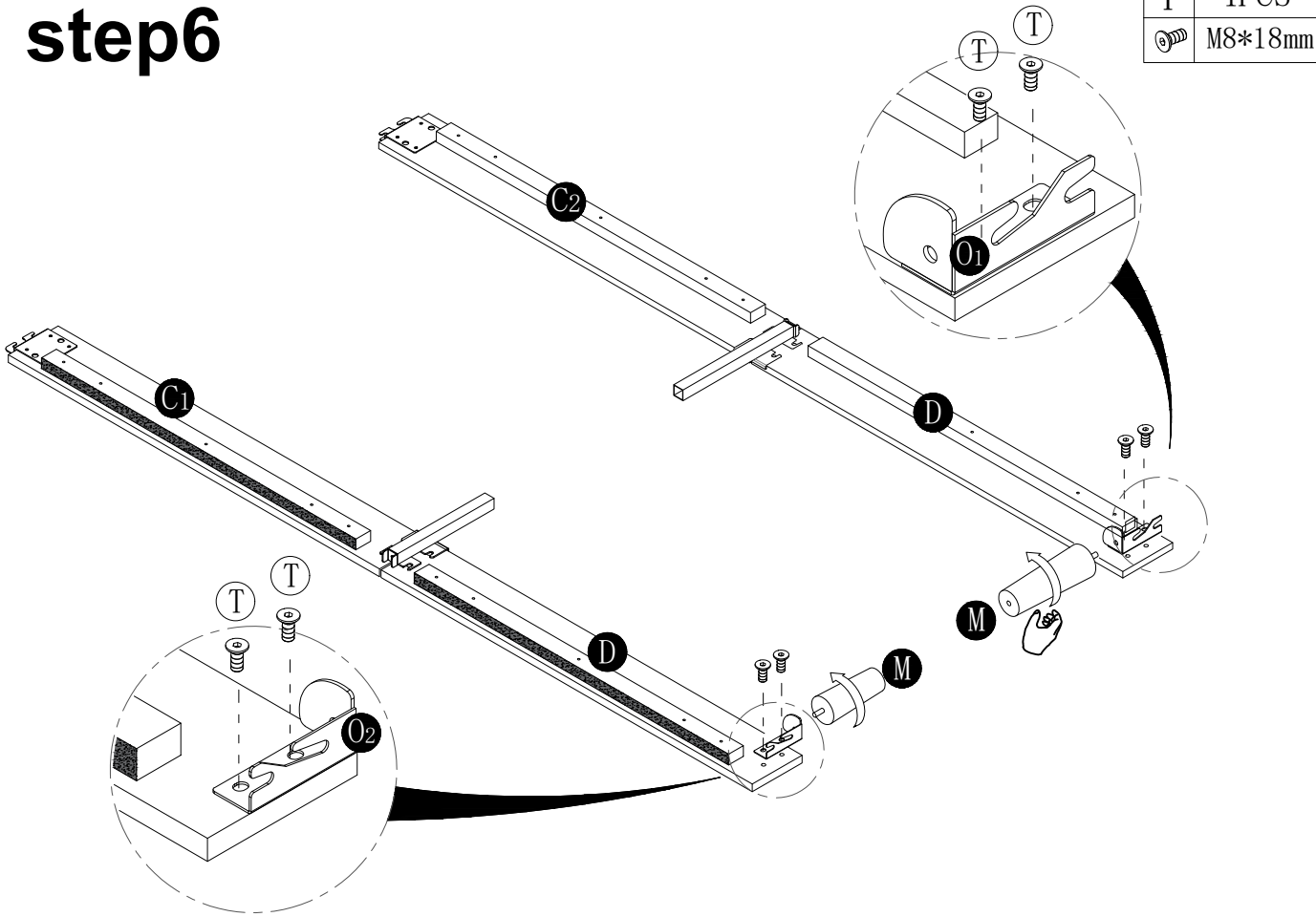
# step5

T	8PCS
	M8*18mm





# step6

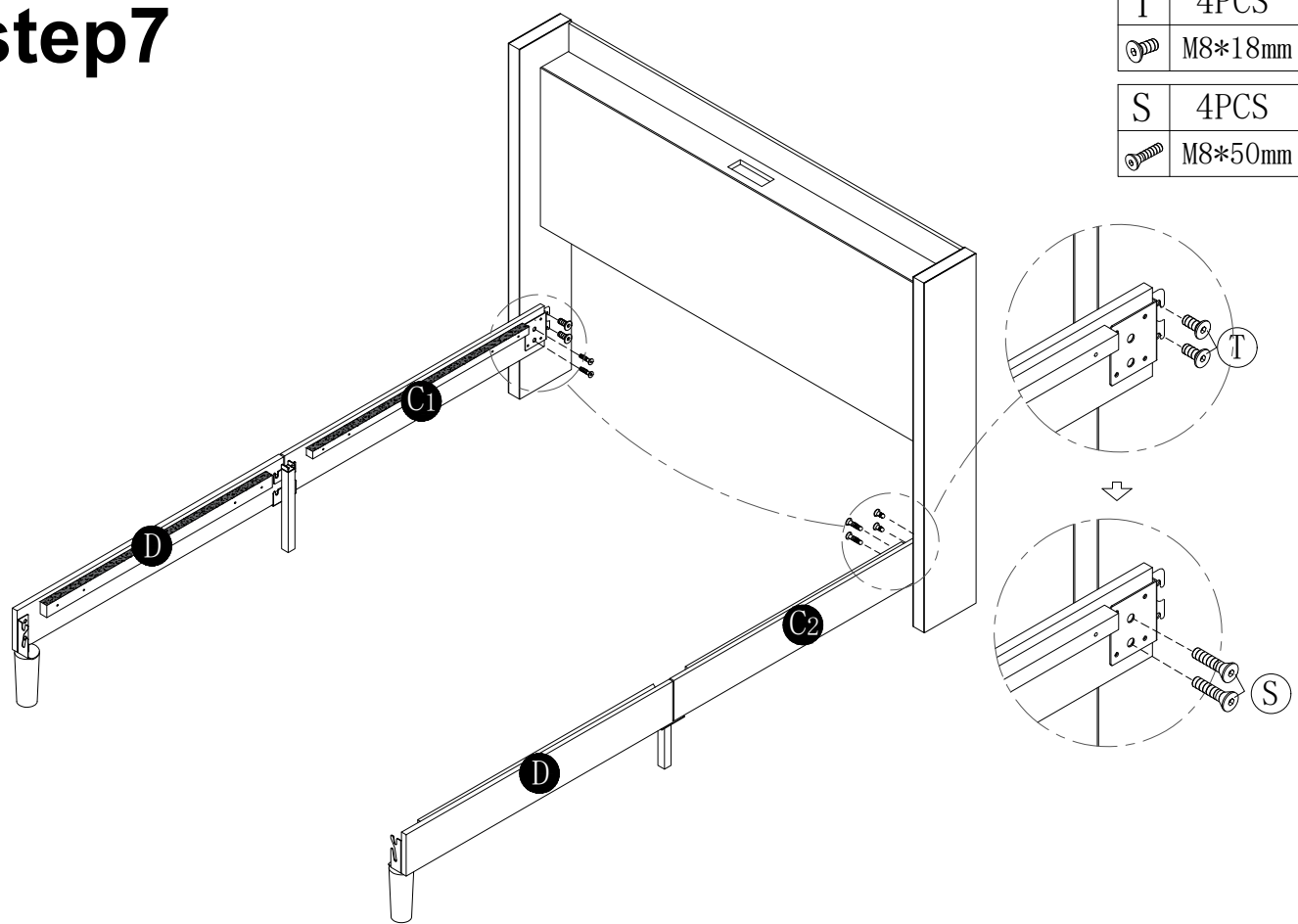
T	4PCS
	M8*18mm





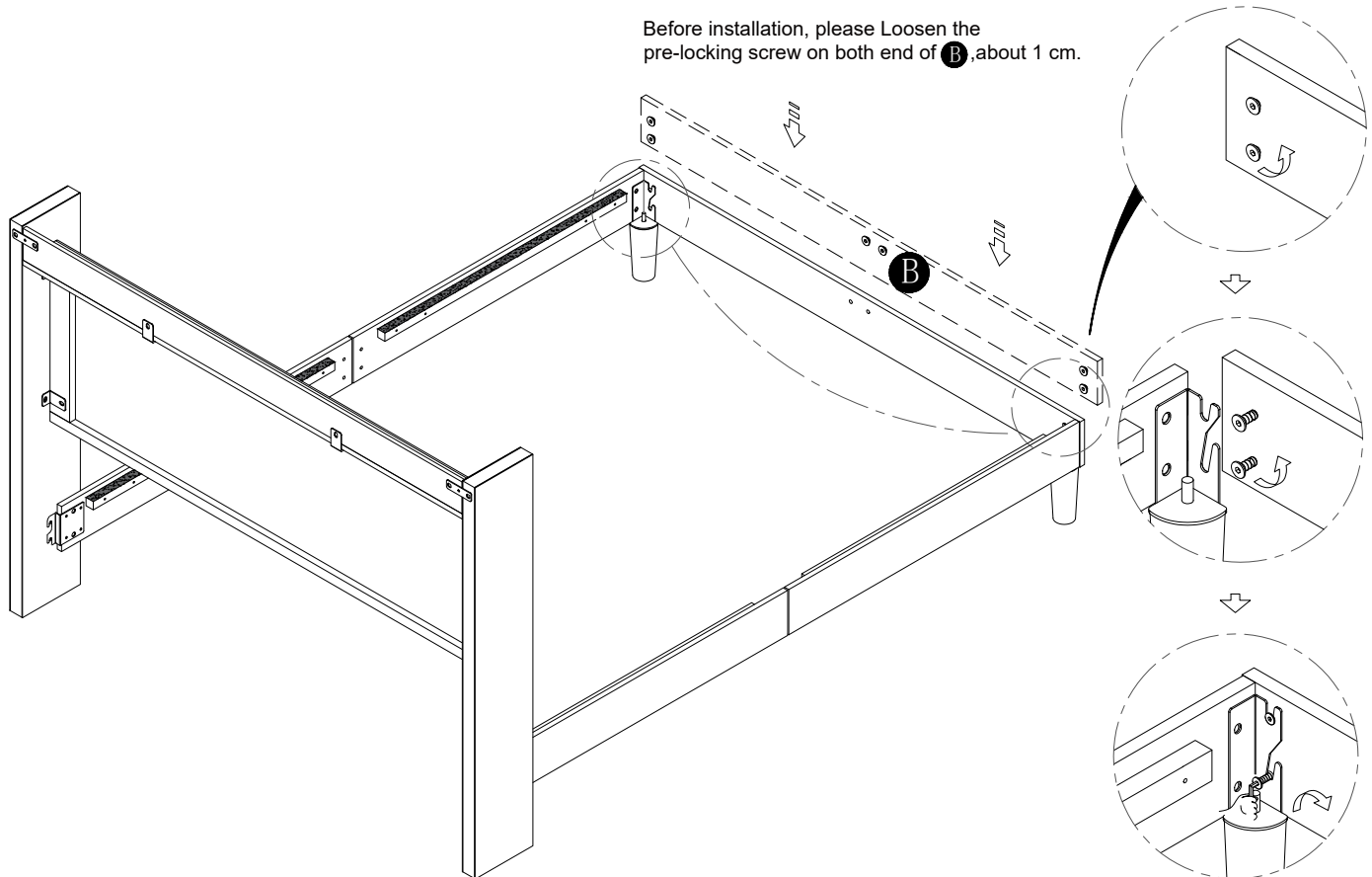
# step7

T	4PCS
	M8*18mm
S	4PCS
	M8*50mm

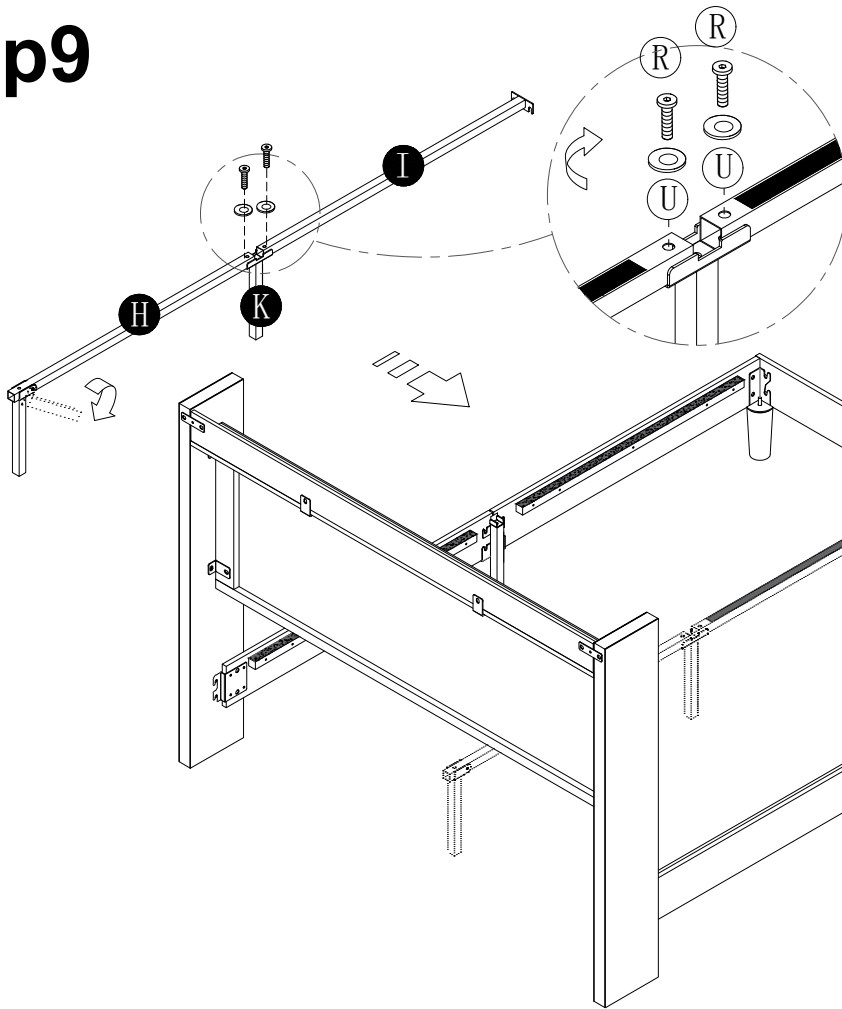




# step8

Before installation, please Loosen the pre-locking screw on both end of **B**, about 1 cm.



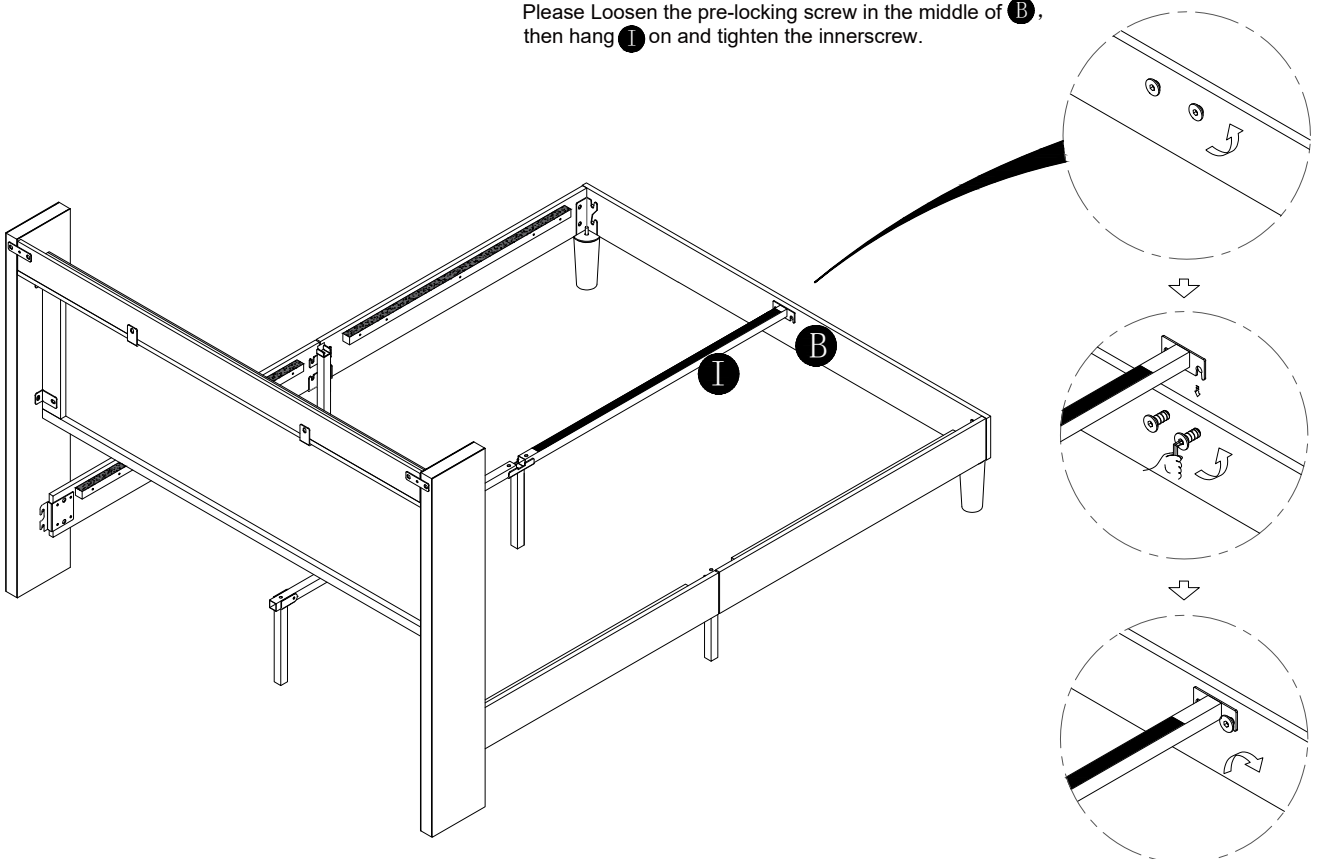
# step9



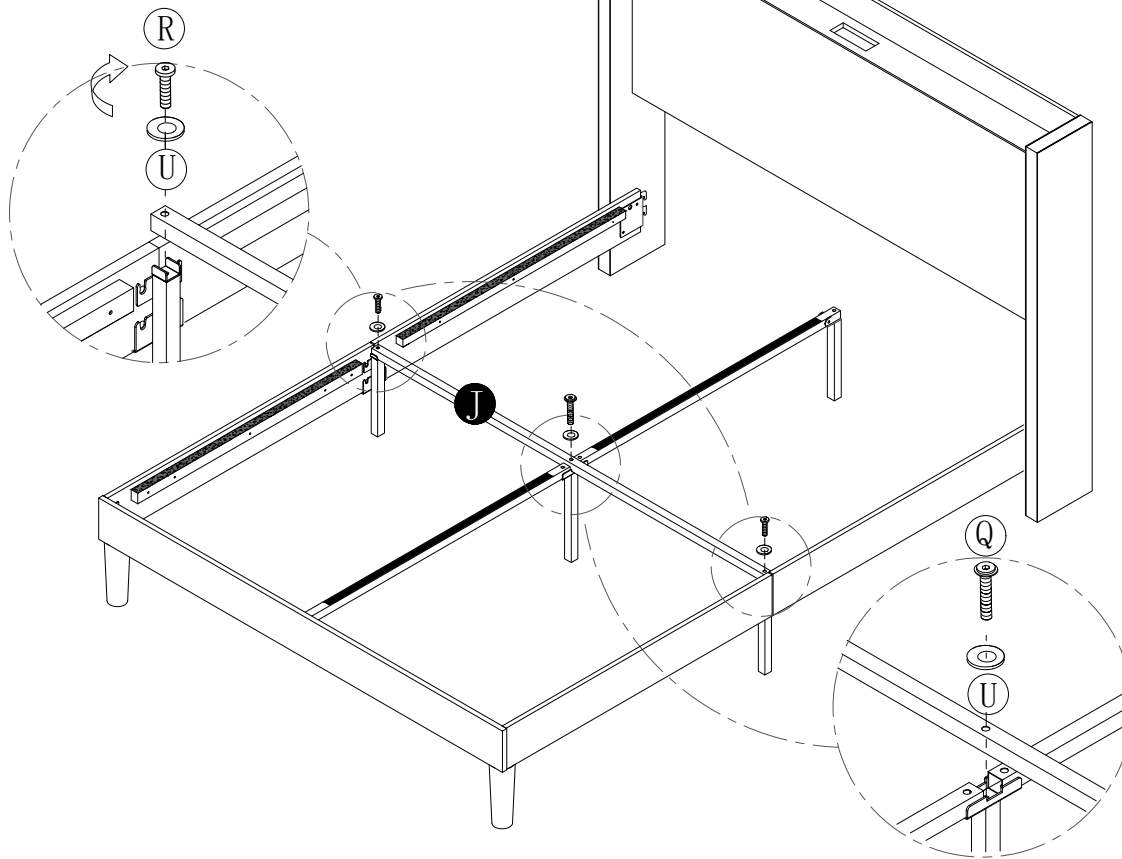
R	2PCS
	M8*40mm
U	2PCS
	Ø22*2.0




# step10

Please Loosen the pre-locking screw in the middle of **B**, then hang **I** on and tighten the innerscrew.

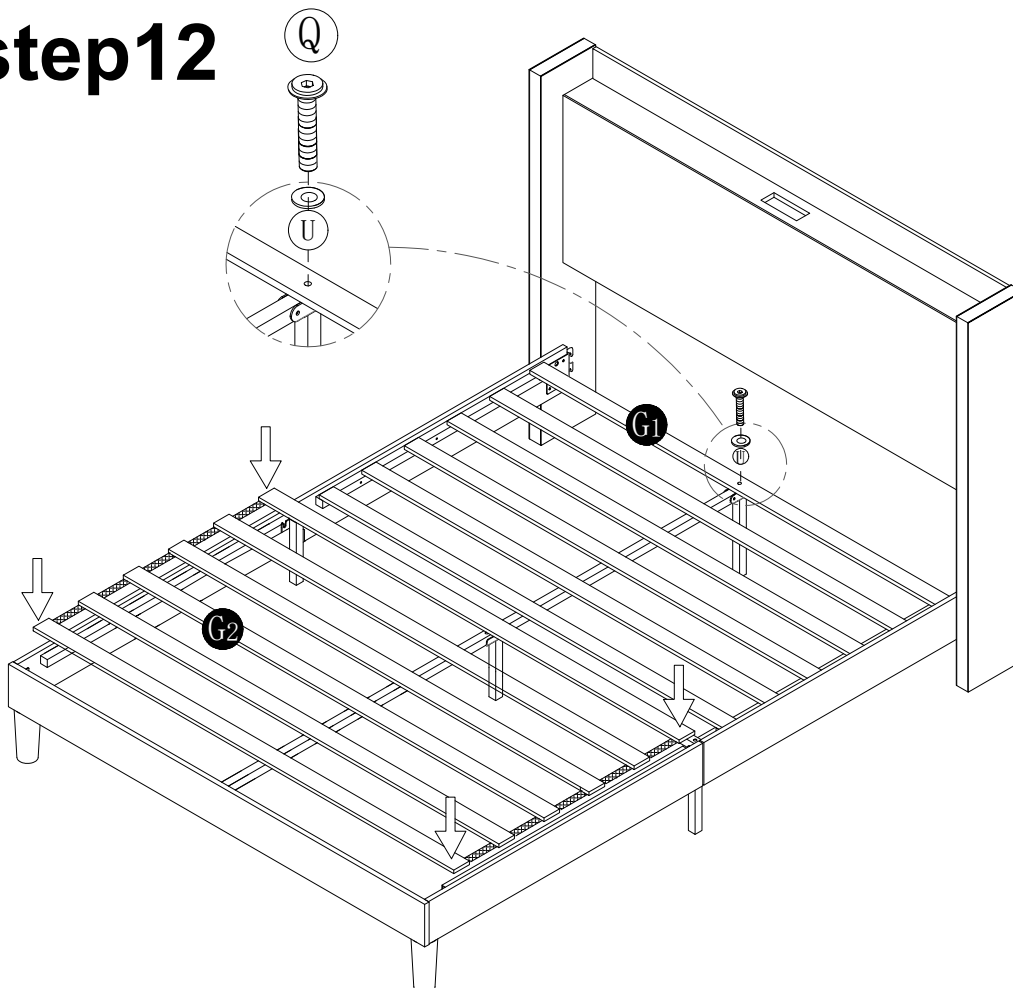




# step11




Q	1PCS
	M8*50mm
R	2PCS
	M8*40mm
U	3PCS
	Ø22*2.0

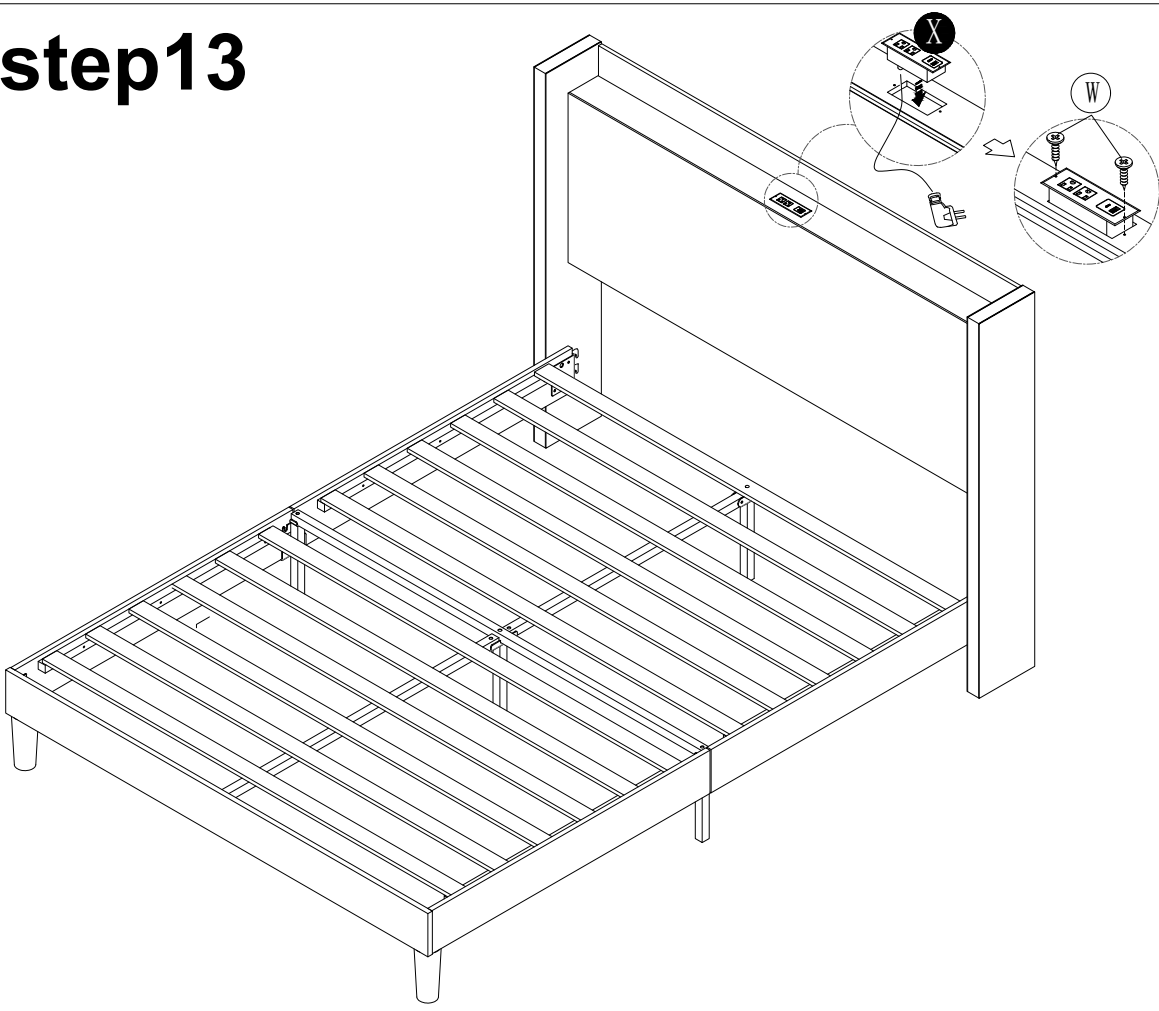
# step12



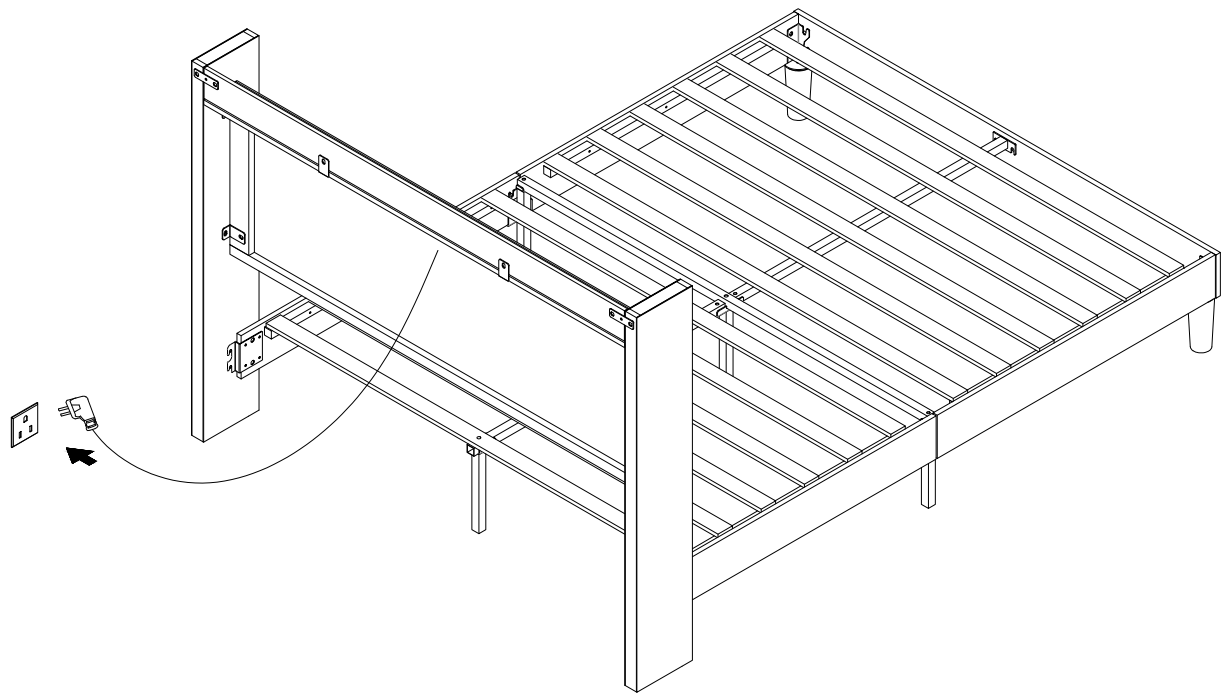
Q	1PCS
	M8*50mm
U	1PCS
	Ø22*2.0

# step13

W	2PCS
	M3*16mm



# step14



Installation Complete