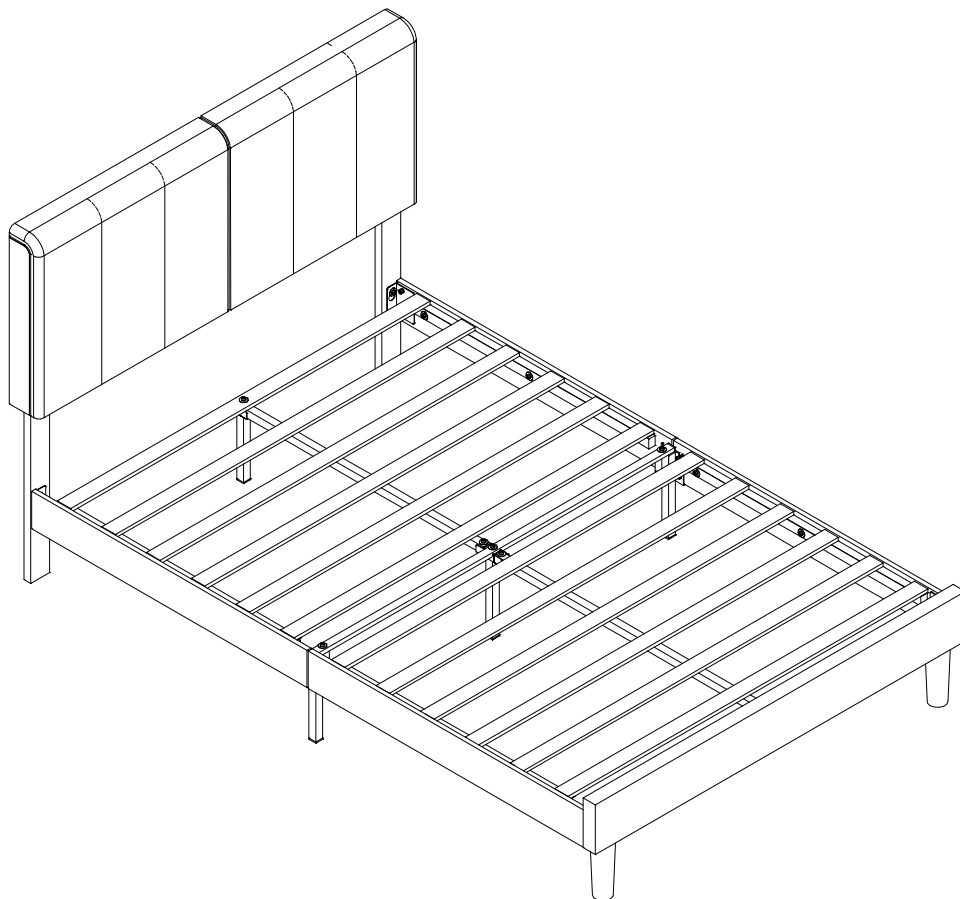


ASSEMBLY INSTRUCTIONS

Bed Frame (Y176-F/Q)



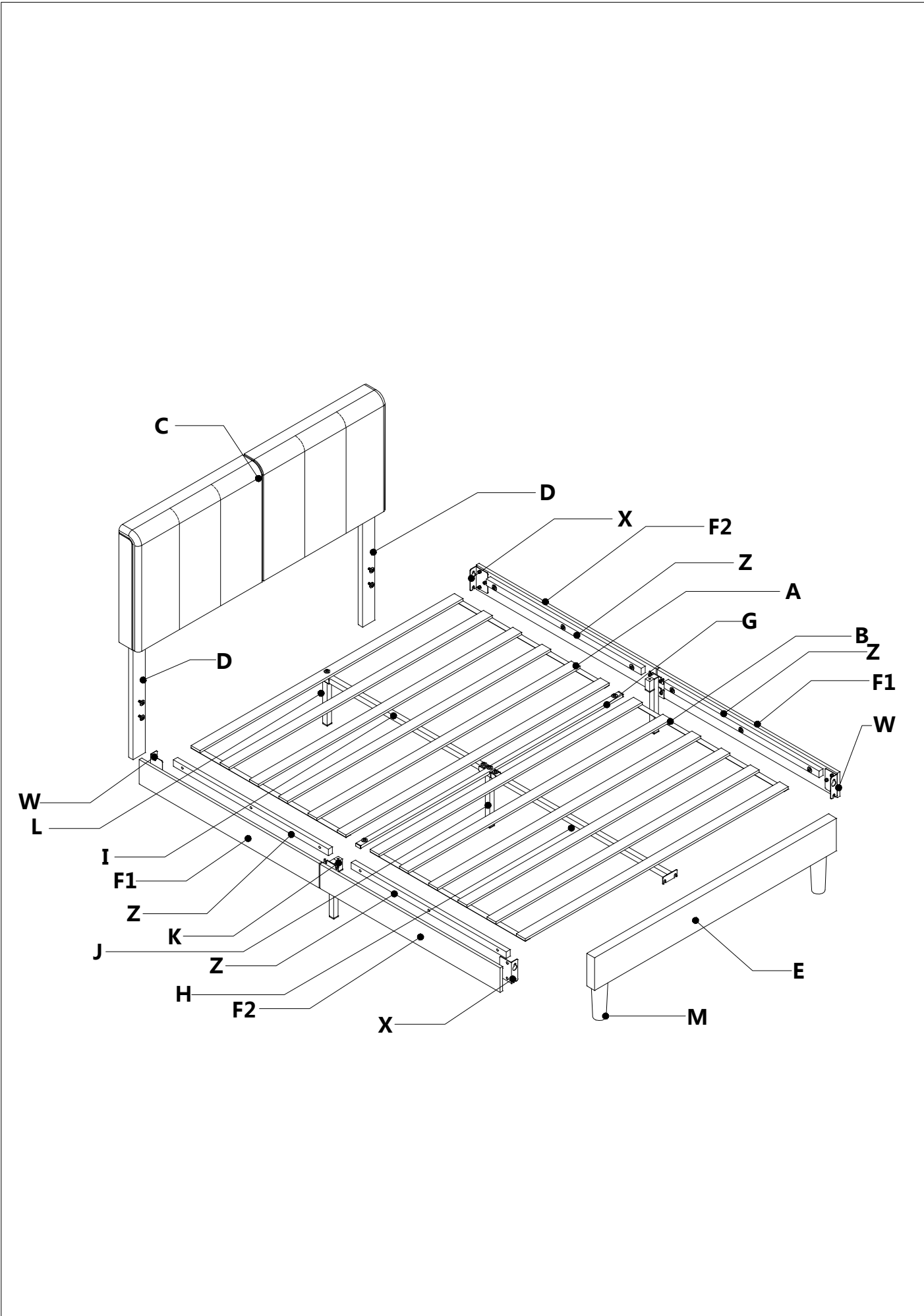
Friendly Customer Service

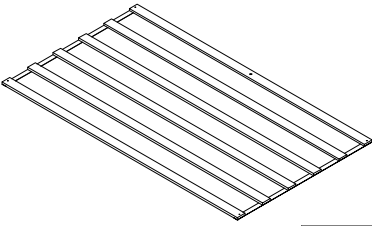
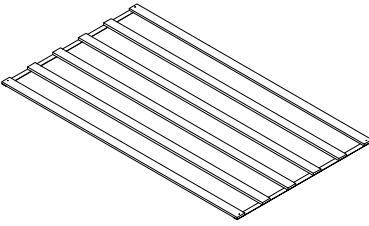
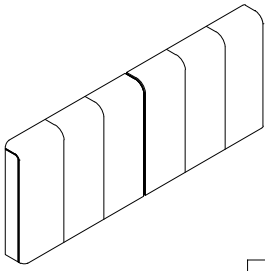

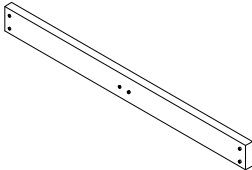
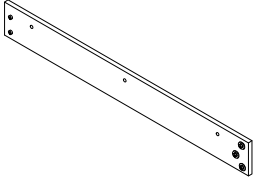
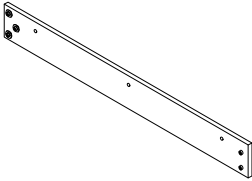
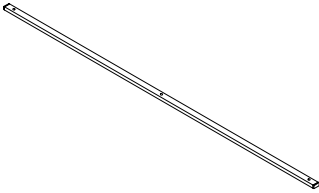
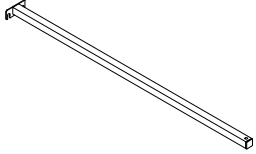
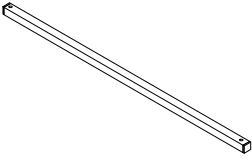
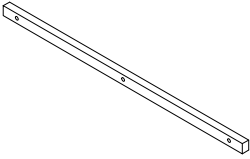
Satisfaction Guarantees: Any problems with assembly, quality, or return, please feel free to contact us directly.

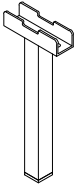
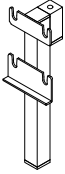
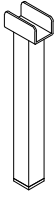

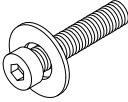
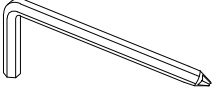
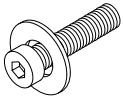
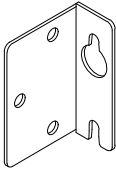
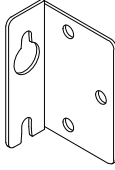
Contact us

Phone: +1 (901) 347-2181 (US) Mon-Fri 9am - 5pm (PST)

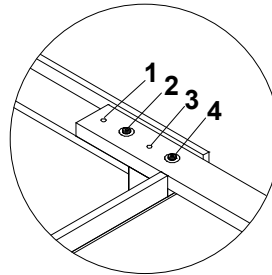
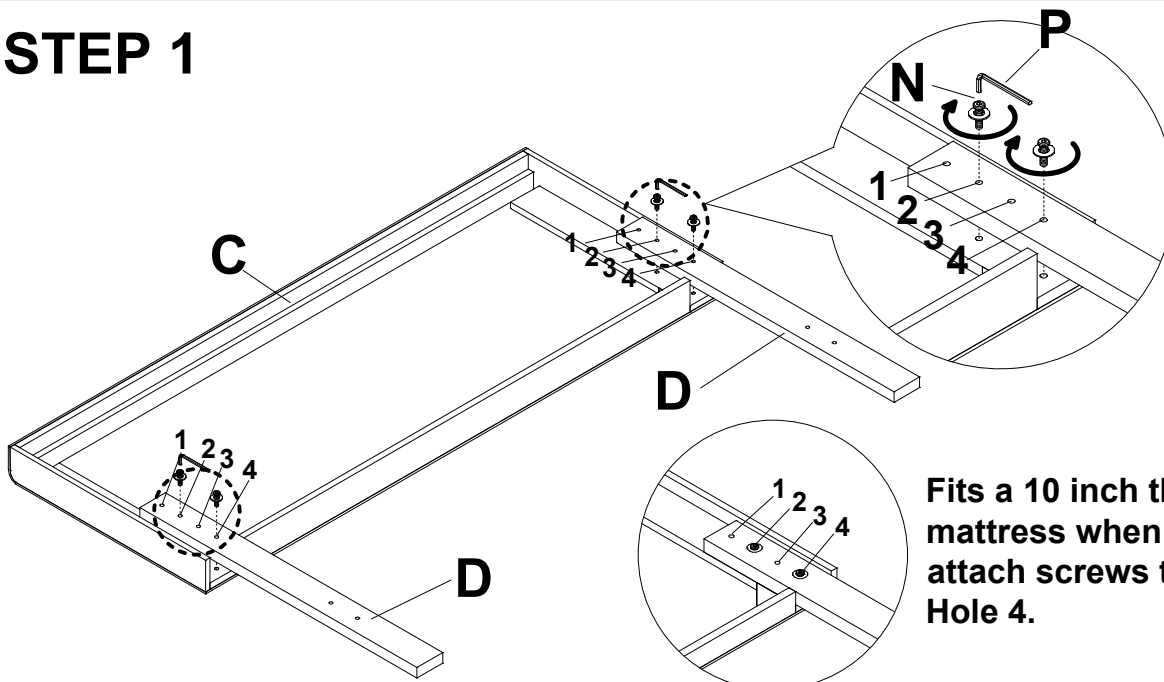
E-Mail: cs@howedirect.com (Get efficient feedback within 12 hours)



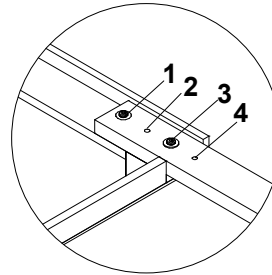
| | | |
|---|--|--|
| <p>A Front Slat</p>  <p>1pc</p> | <p>B Back Slat</p>  <p>1pc</p> | <p>C Headboard</p>  <p>1pc</p> |
| <p>D Headboard side leg</p>  <p>2pcs</p> | <p>E Footboard</p>  <p>1pc</p> | <p>F1 The left front of siderails</p>  <p>2pcs</p> |
| <p>F2 The Right front of siderails</p>  <p>2pcs</p> | <p>G The brace</p>  <p>1pc</p> | <p>H Back Middle cross beam</p>  <p>1pc</p> |
| <p>I Front Middle cross beam</p>  <p>1pc</p> | <p>Z Support Wood</p>  <p>4pcs</p> | |
| | | |

| | | |
|---|---|---|
| <p>J Middle leg</p>  <p>1pc</p> | <p>K Edge of the foot</p>  <p>2pcs</p> | <p>L Front Leg</p>  <p>1pc</p> |
| <p>M Bed leg</p>  <p>2pcs</p> | <p>N Innerscrew</p>  <p>M8X45mm 10+1pcs</p> | <p>P Inner allen wrench</p>  <p>1pc</p> |
| <p>Y Innerscrew</p>  <p>M8X38mm 12pcs</p> | <p>W Left Bracket</p>  <p>2pcs</p> | <p>X Right Bracket</p>  <p>2pcs</p> |
| | | |
| | | |


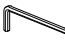
STEP 1



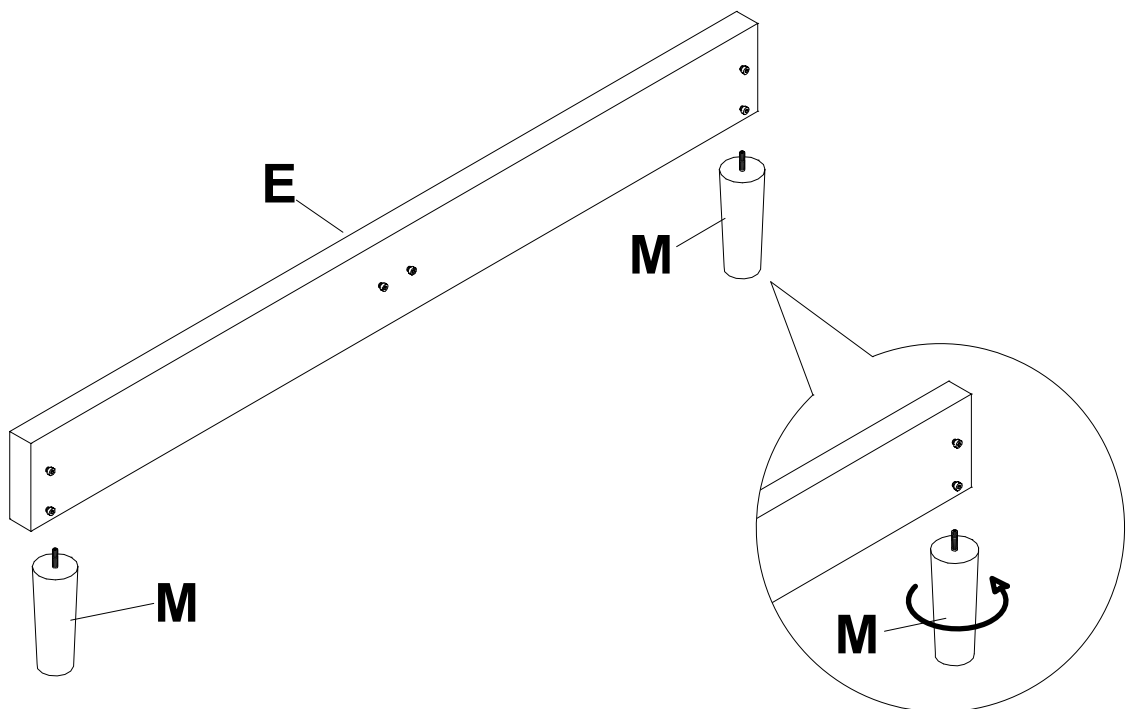
Fits a 10 inch thick mattress when attach screws to Hole 2 & Hole 4.



Fits a 12 inch thick mattress when attach screws to Hole 1 & Hole 3.

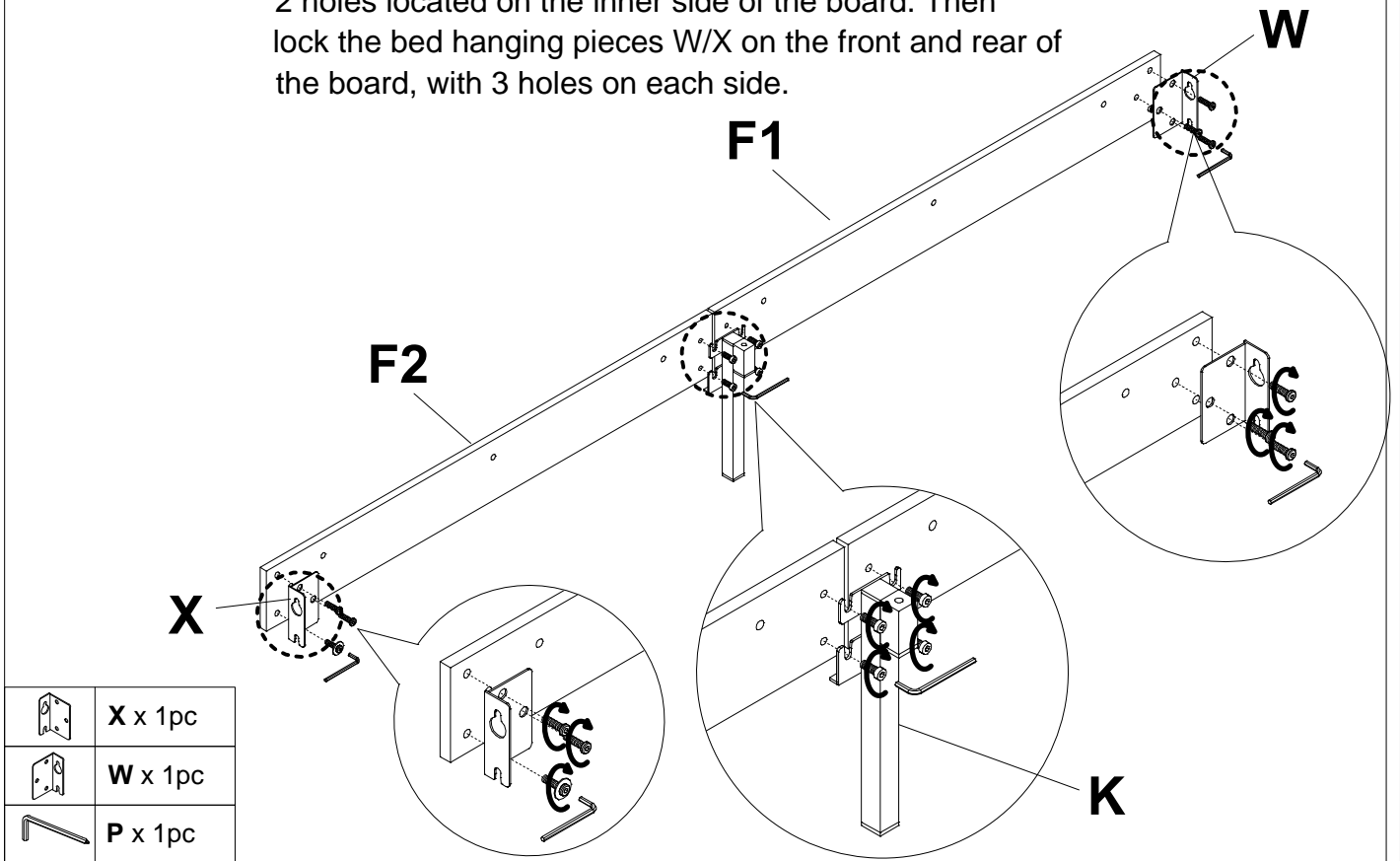
| | |
|---|----------|
|  | N x 4pcs |
|  | P x 1pc |

STEP 2



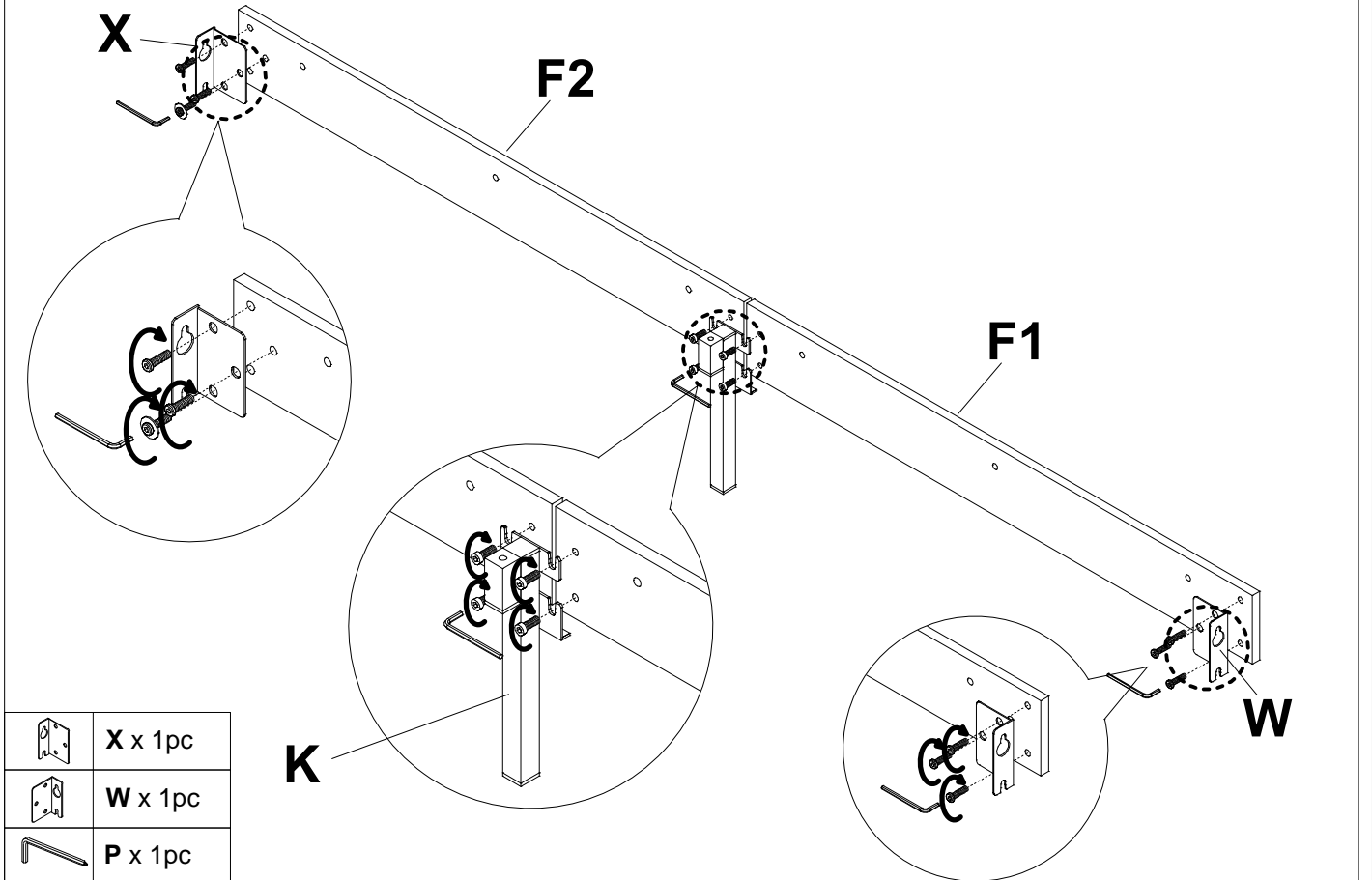
STEP 3

Take out parts F1 and F2, and lock the iron frame foot K in the middle according to the figure. Note that there are 2 holes located on the inner side of the board. Then lock the bed hanging pieces W/X on the front and rear of the board, with 3 holes on each side.



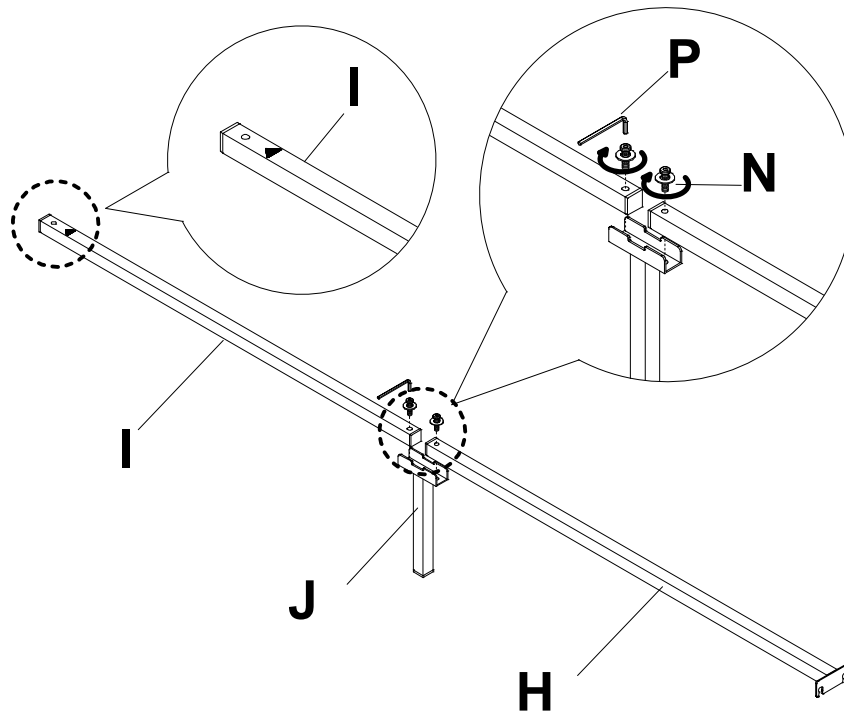
STEP 4

Same as Step 3



STEP 5

Noted that the middle cross beam, the direction of the red arrow is aiming front.



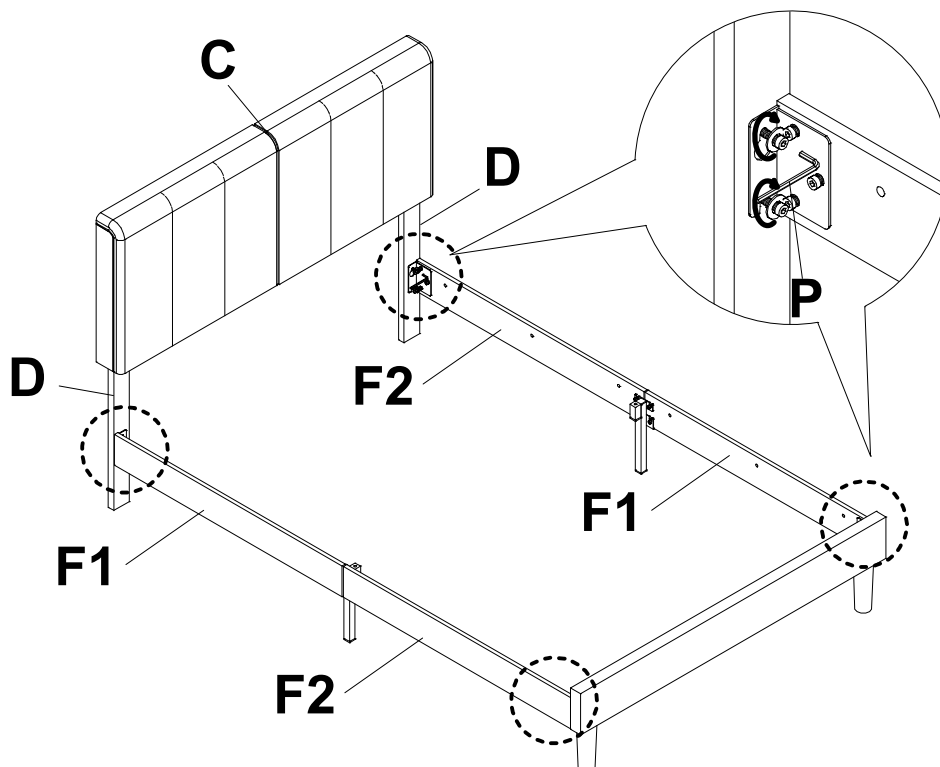
N x 2pcs



P x 1pc

STEP 6

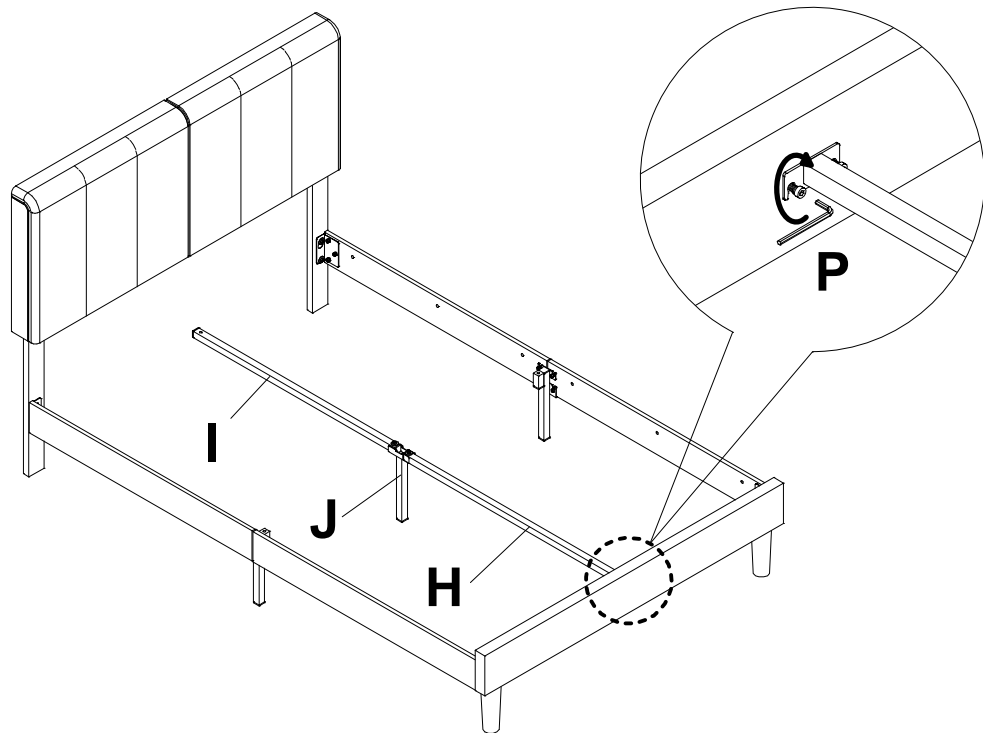
Loosen screws on the side leg of the headboard and both sides of the footboard, then, hang the bracket on and tighten the innerscrews.

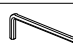


P x 1pc

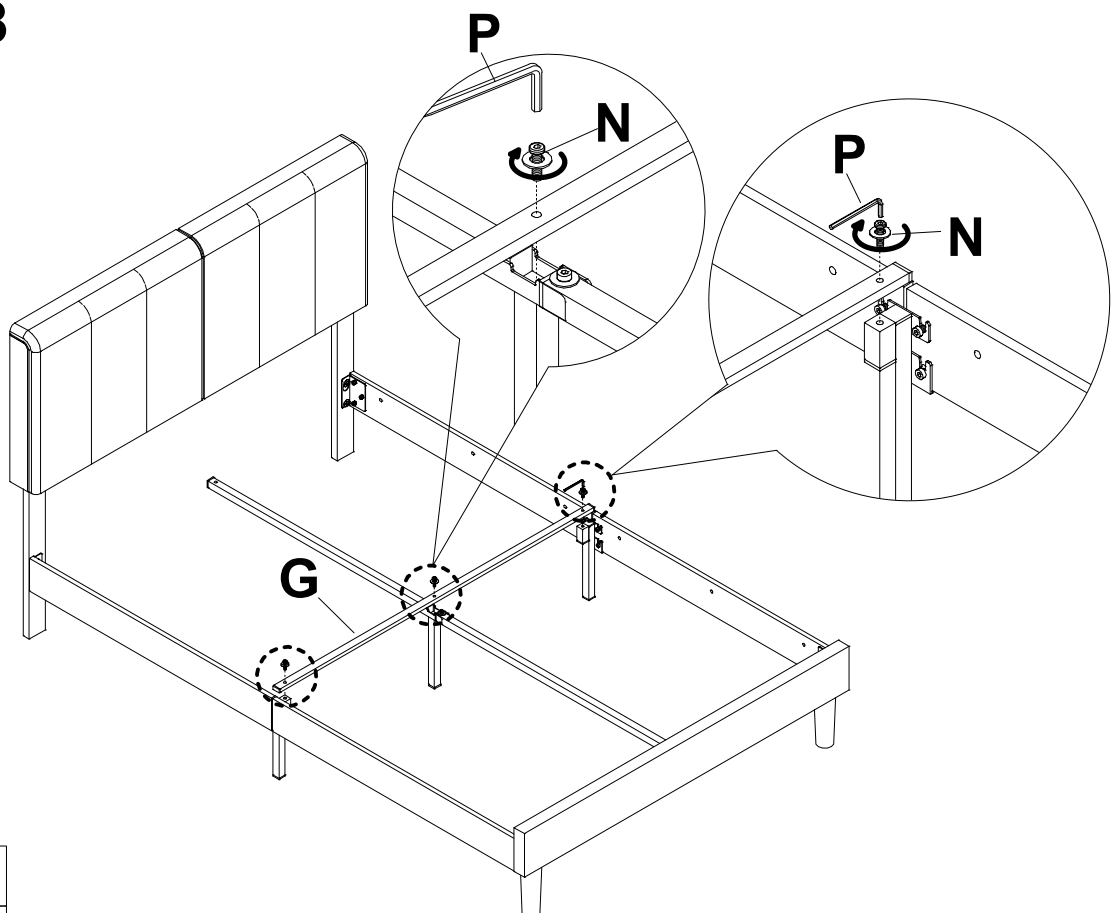
STEP 7

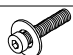
Loosen screws on the middle of the footboard, then, hang the bracket on the footboard and tighten the innerscrews.



 P x 1pc

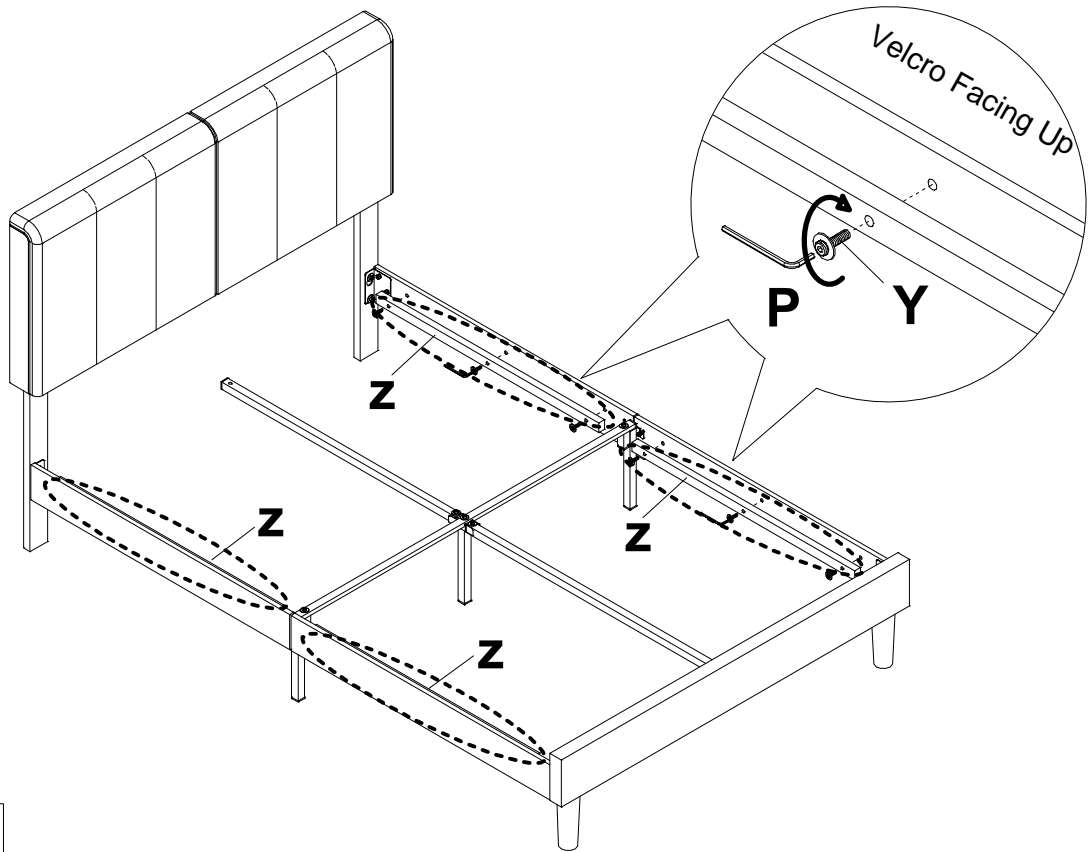
STEP 8


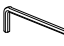


 N x 3pcs

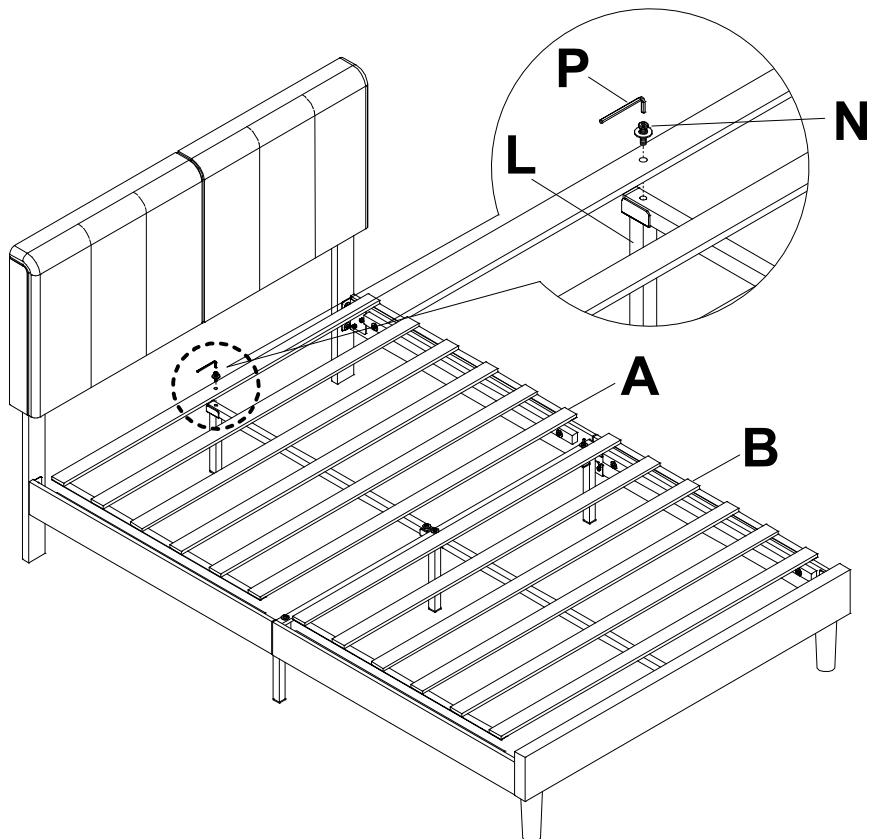
 P x 1pc


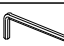
STEP 9



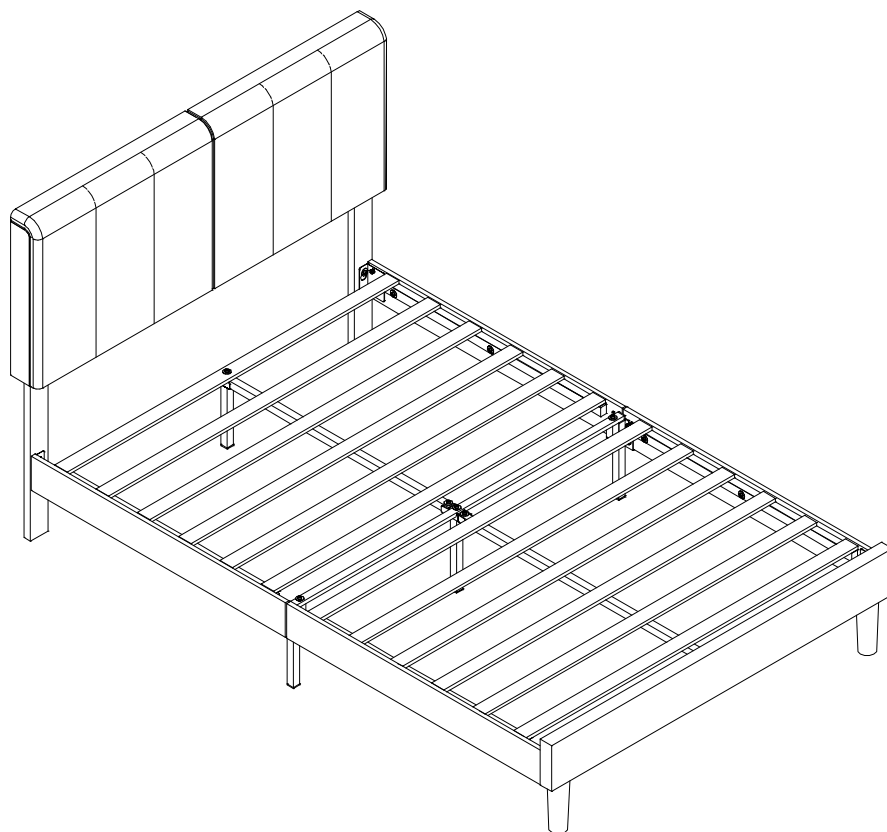
| | |
|---|-----------|
|  | Y x 12pcs |
|  | P x 1pc |

STEP 10



| | |
|---|---------|
|  | N x 1pc |
|  | P x 1pc |

STEP 11



Installation Complete