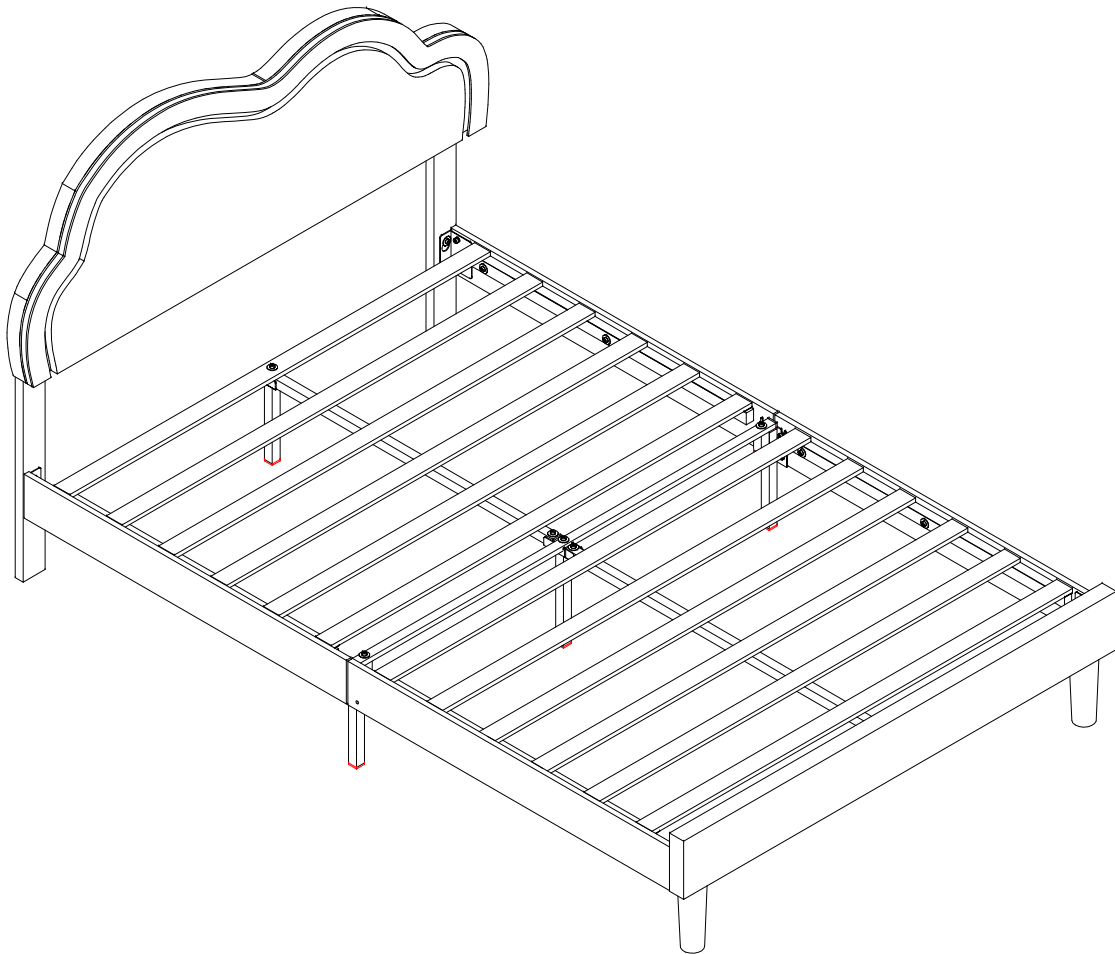


ASSEMBLY INSTRUCTIONS

Bed Frame With LED Light Strip (Y173-T/F/Q)



Friendly Customer Service

Satisfaction Guarantees: Any problems with assembly, quality, or return, please feel free to contact us directly.

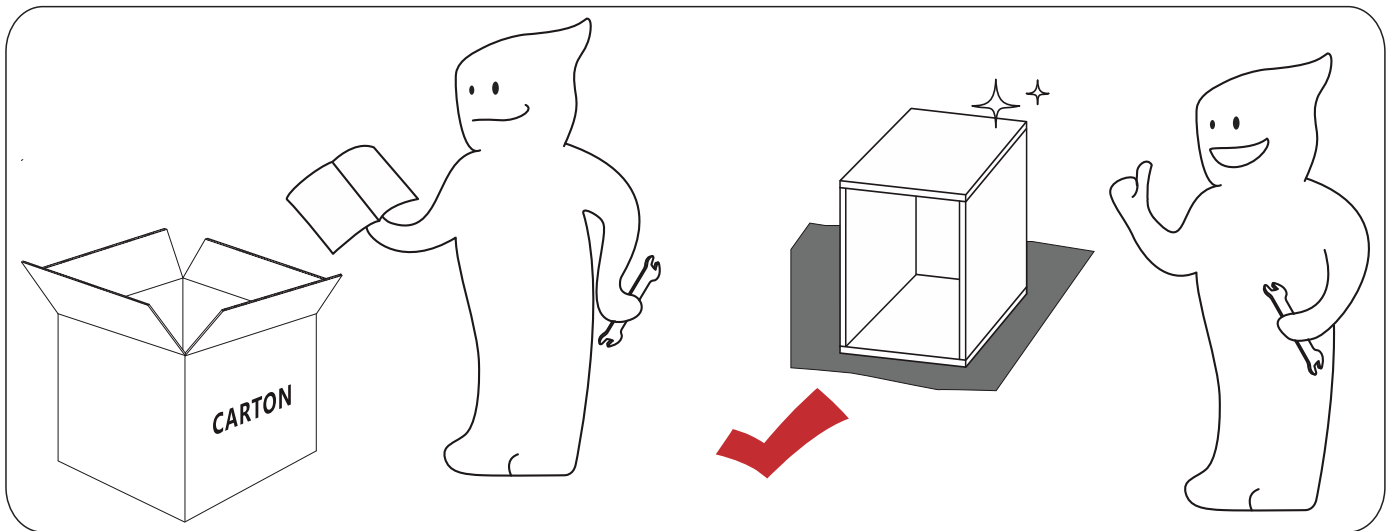
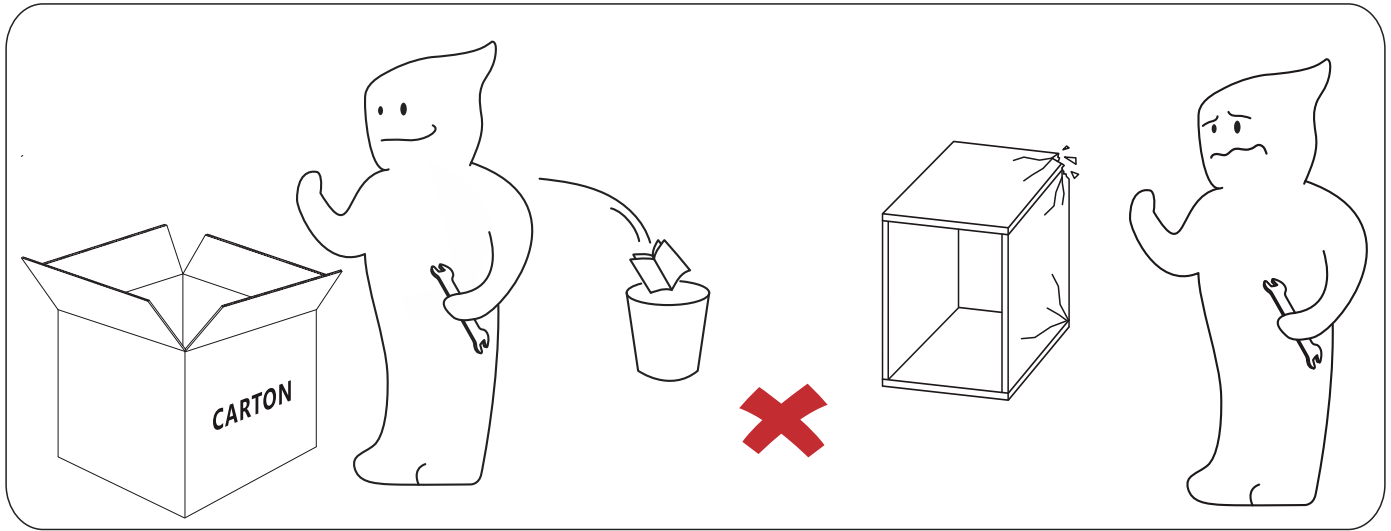
Contact us

Phone: +1 (901) 347-2181 (US) Mon-Fri 9am - 5pm (PST)

E-Mail: support@jocisland.com (Get efficient answer within 12 hours)



Please follow the instruction manuals and use a pad to protect the product during your assembly.

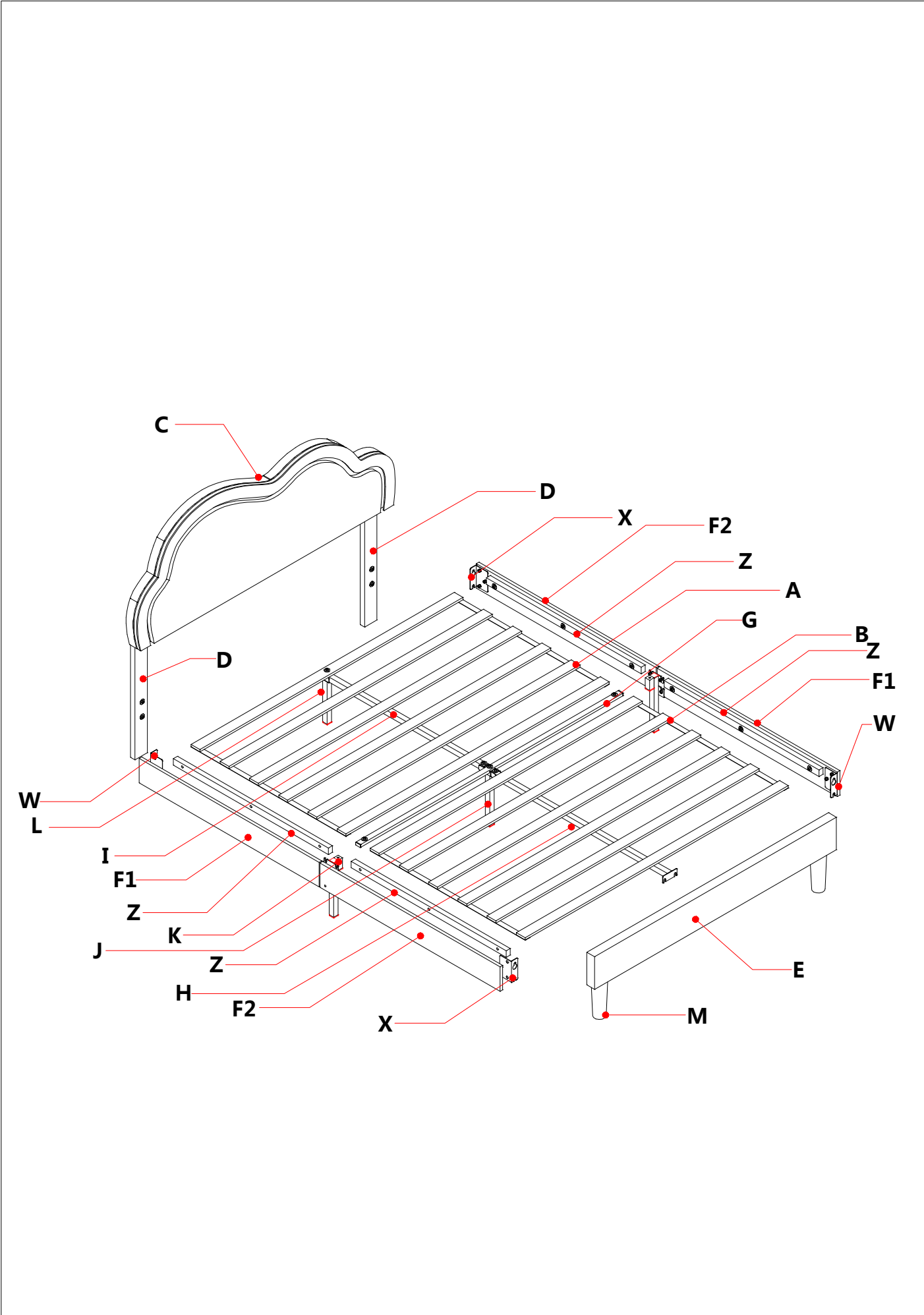


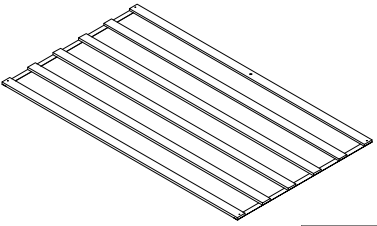
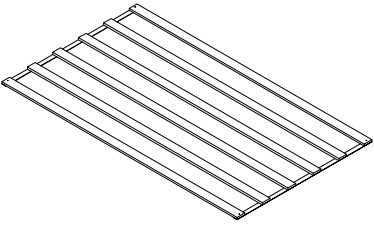
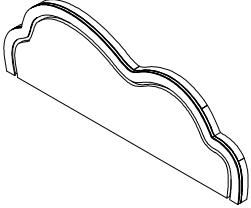

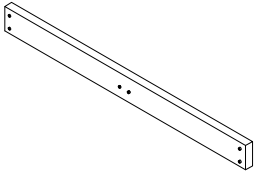
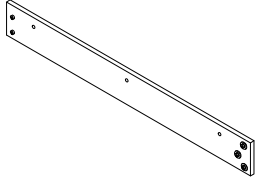
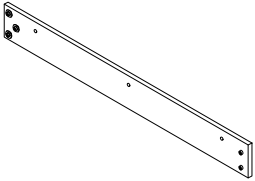
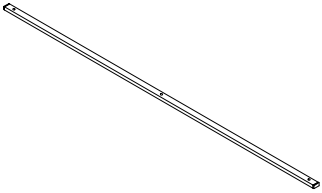
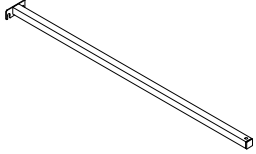
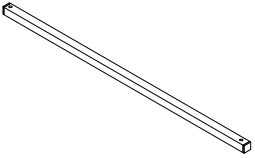
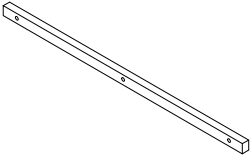
Note:

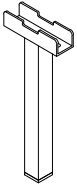
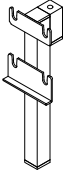
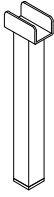

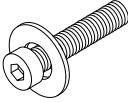
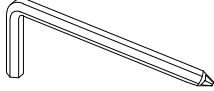
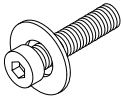
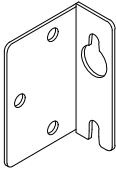
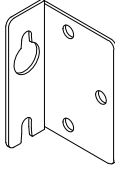


1. Should be assembled on flat ground to keep balance.
2. Before completing the installation, do not tighten the screws.



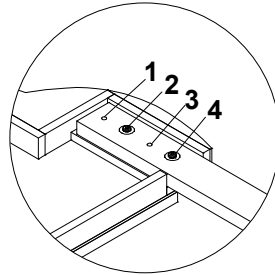
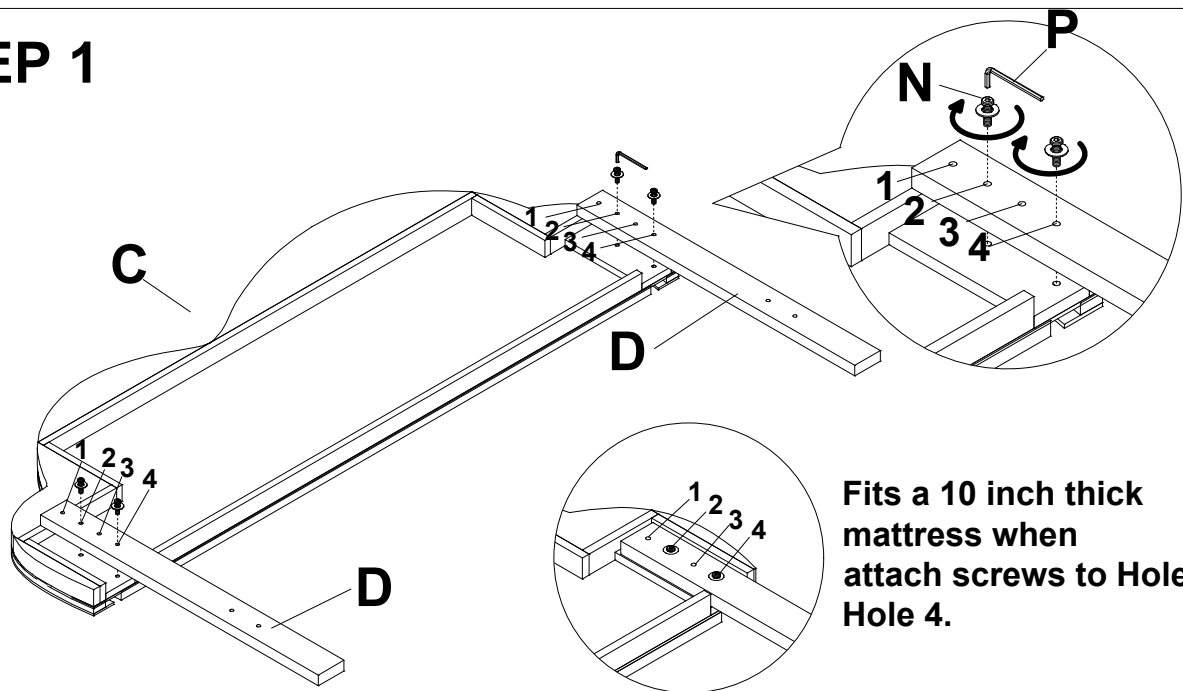
For easier and better assembly, **2** or more adults are required.



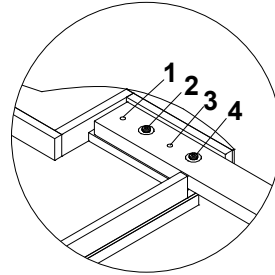
<p>A Front slat</p>  <p>1pc</p>	<p>B Back slat</p>  <p>1pc</p>	<p>C Headboard</p>  <p>1pc</p>
<p>D Headboard side leg</p>  <p>2pcs</p>	<p>E Footboard</p>  <p>1pc</p>	<p>F1 The left front siderails</p>  <p>2pcs</p>
<p>F2 The right front siderails</p>  <p>2pcs</p>	<p>G The brace</p>  <p>1pc</p>	<p>H Back middle cross beam</p>  <p>1pc</p>
<p>I Front middle cross beam</p>  <p>1pc</p>	<p>Z Support wood</p>  <p>4pcs</p>	

<p>J Middle leg</p>  <p>1pc</p>	<p>K Side foot</p>  <p>2pcs</p>	<p>L Front Leg</p>  <p>1pc</p>
<p>M Bed leg</p>  <p>2pcs</p>	<p>N Innerscrew</p>  <p>M8X45mm 10+1pcs</p>	<p>P Inner allen wrench</p>  <p>1pc</p>
<p>Y Innerscrew</p>  <p>M8X38mm 12pcs</p>	<p>W Left bracket</p>  <p>2pcs</p>	<p>X Right bracket</p>  <p>2pcs</p>
<p>W1 Controller</p>  <p>1pc</p>	<p>X1 Receiver</p>  <p>1pc</p>	



STEP 1



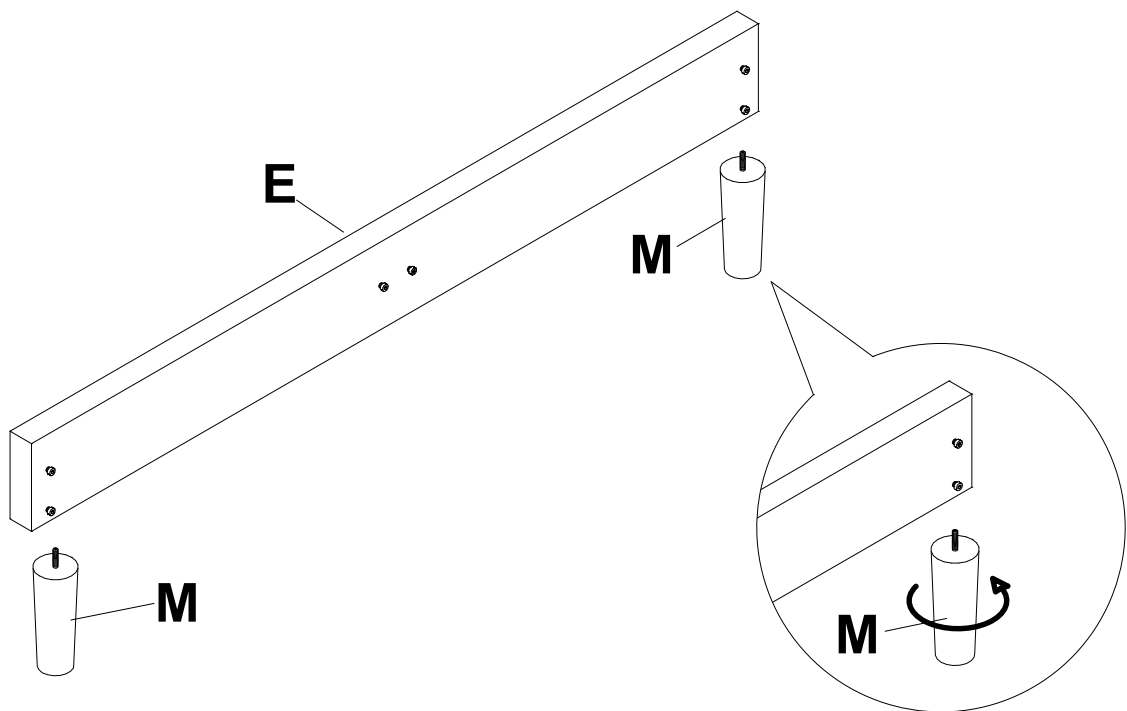
Fits a 10 inch thick mattress when attach screws to Hole 2 & Hole 4.



Fits a 12 inch thick mattress when attach screws to Hole 1 & Hole 3.

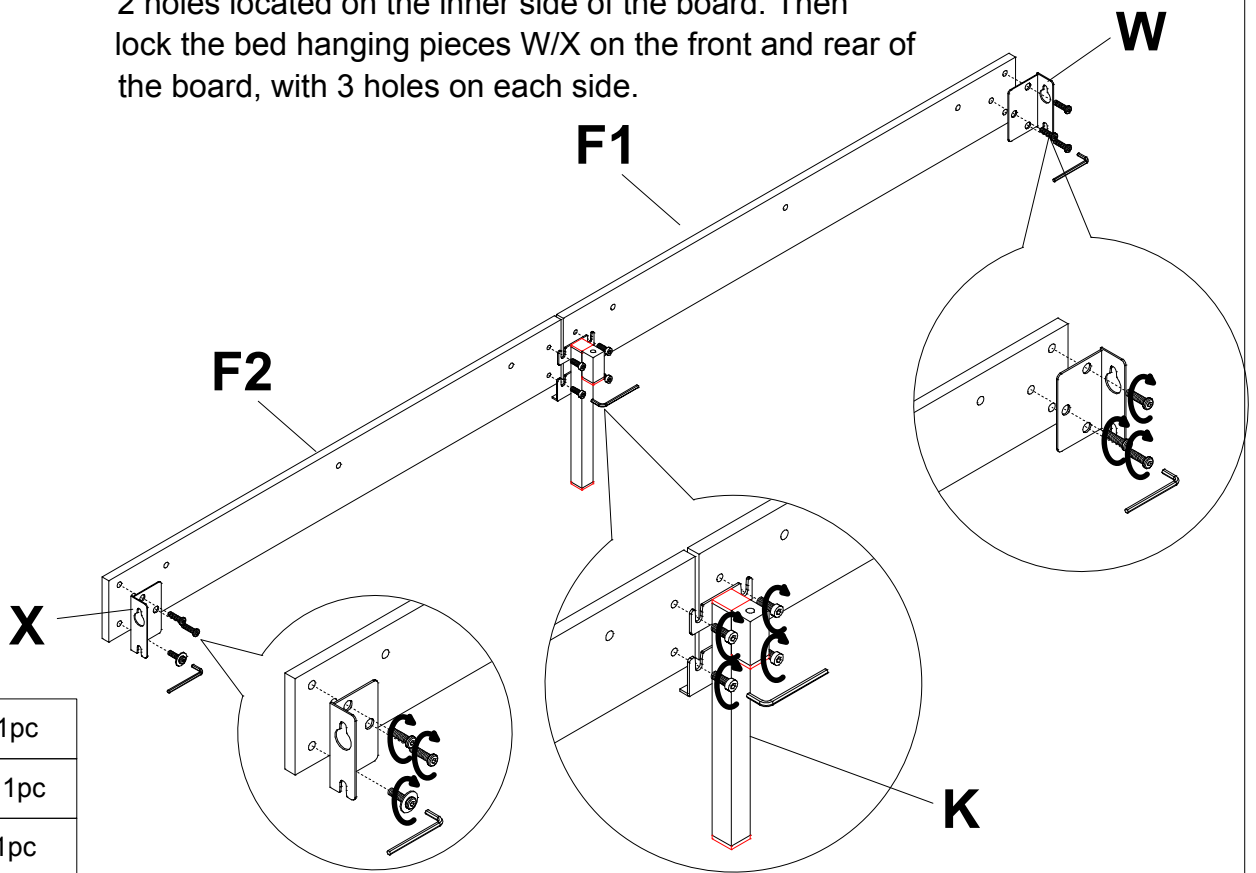
	N x 4pcs
	P x 1pc

STEP 2



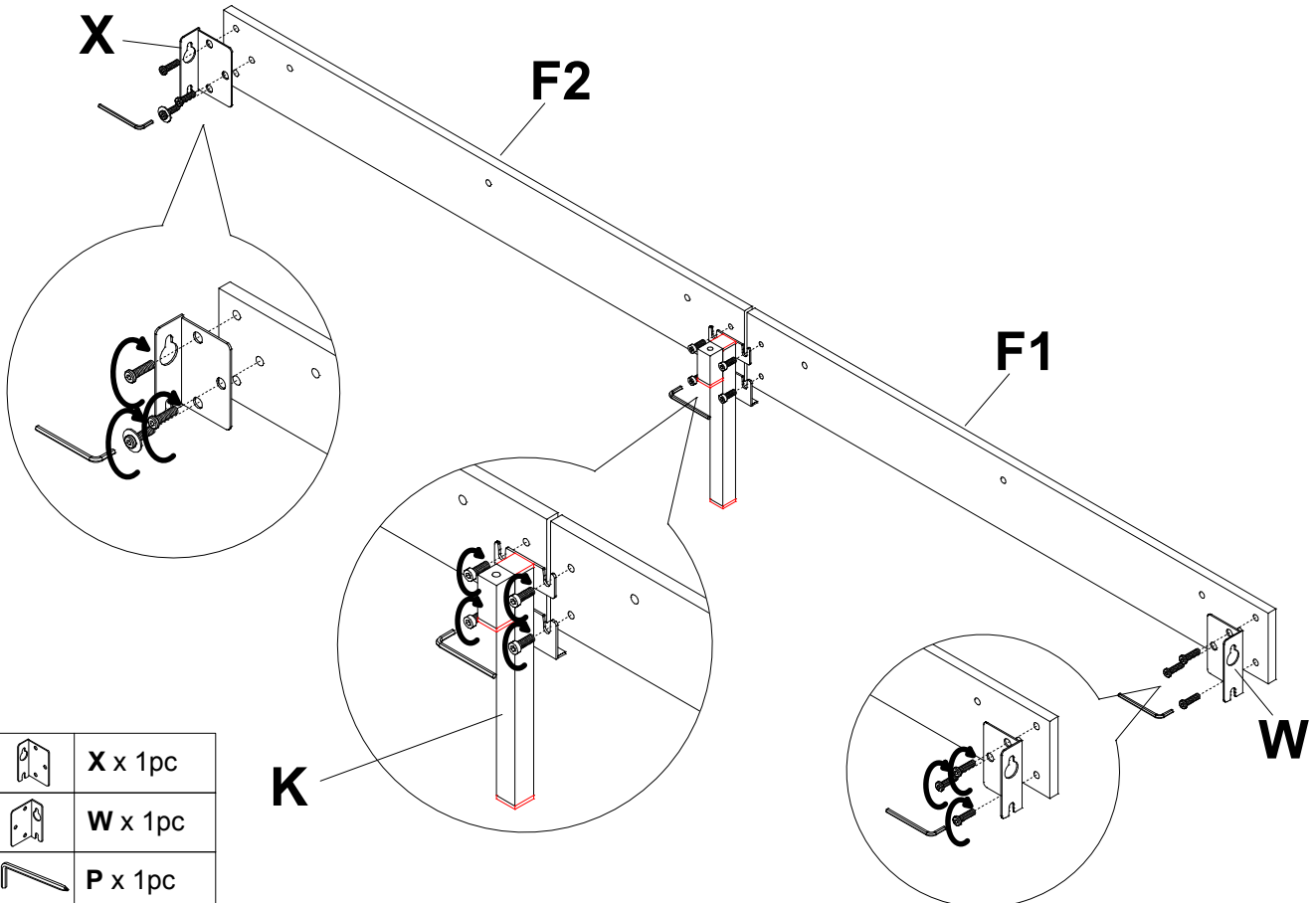
STEP 3

Take out parts F1 and F2, and lock the iron frame foot K in the middle according to the figure. Note that there are 2 holes located on the inner side of the board. Then lock the bed hanging pieces W/X on the front and rear of the board, with 3 holes on each side.



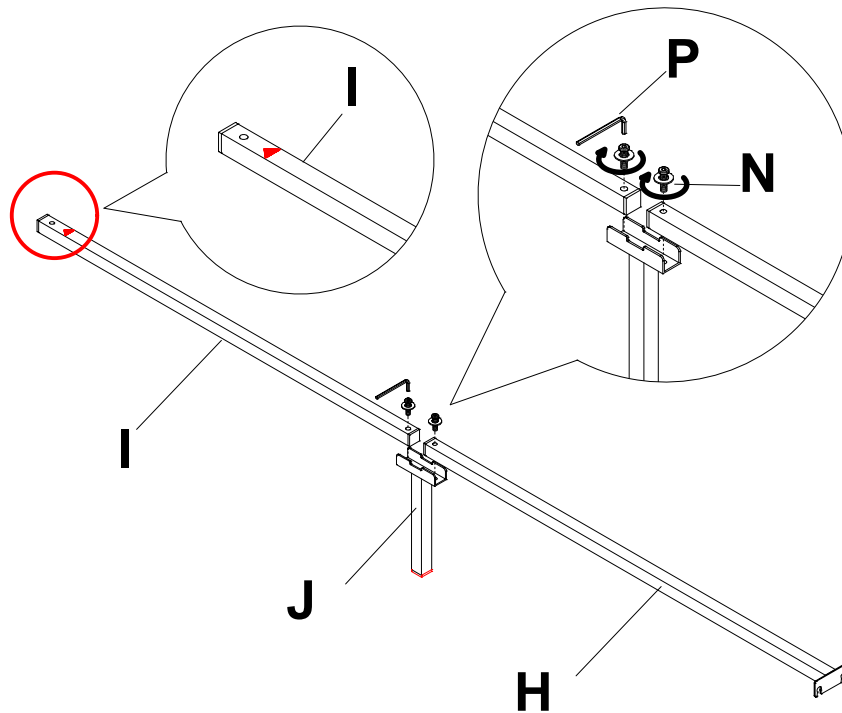
STEP 4



Same as Step 3



STEP 5

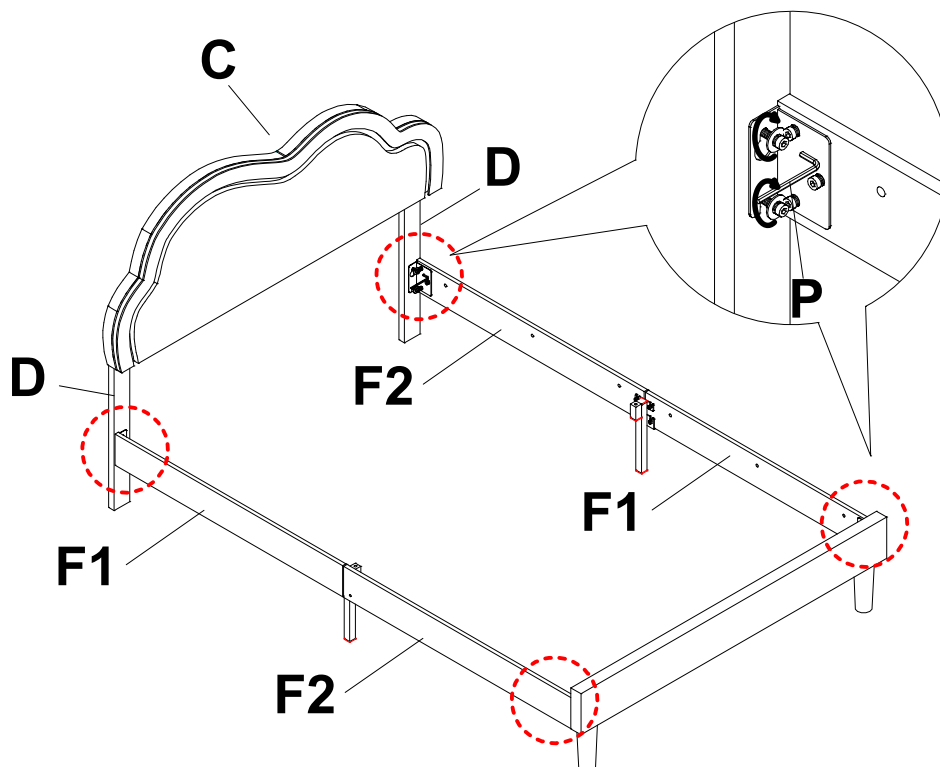
Noted that the middle cross beam, the direction of the red arrow is aiming front.




	N x 2pcs
	P x 1pc

STEP 6

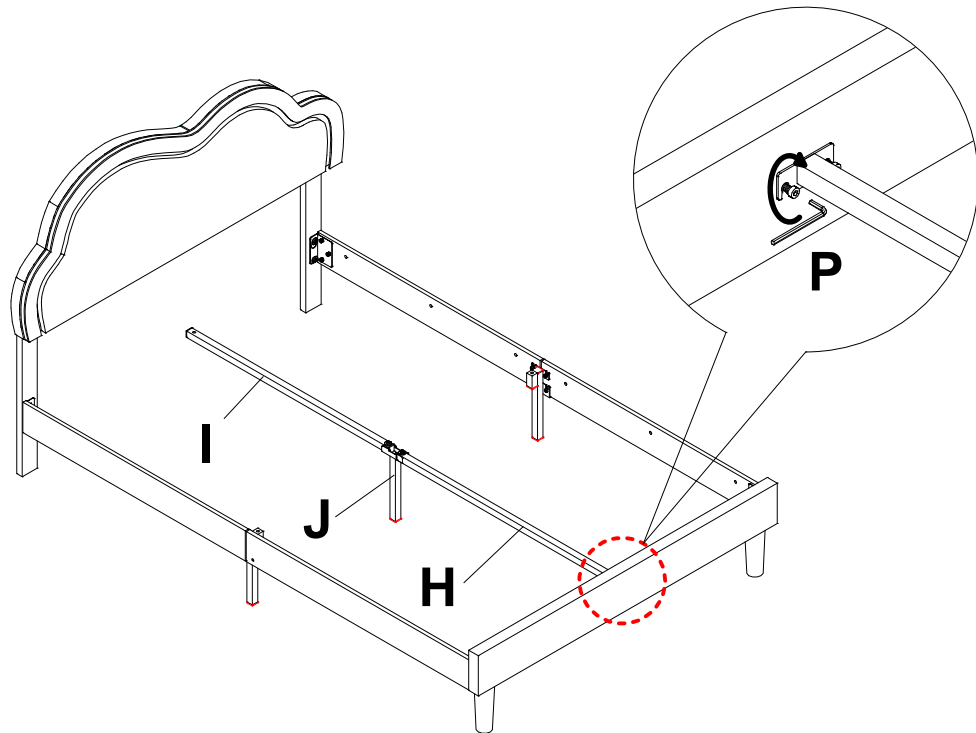
Loosen screws on the side leg of the headboard and both sides of the footboard, then, hang the bracket on and tighten the innerscrews.




	P x 1pc
---	---------

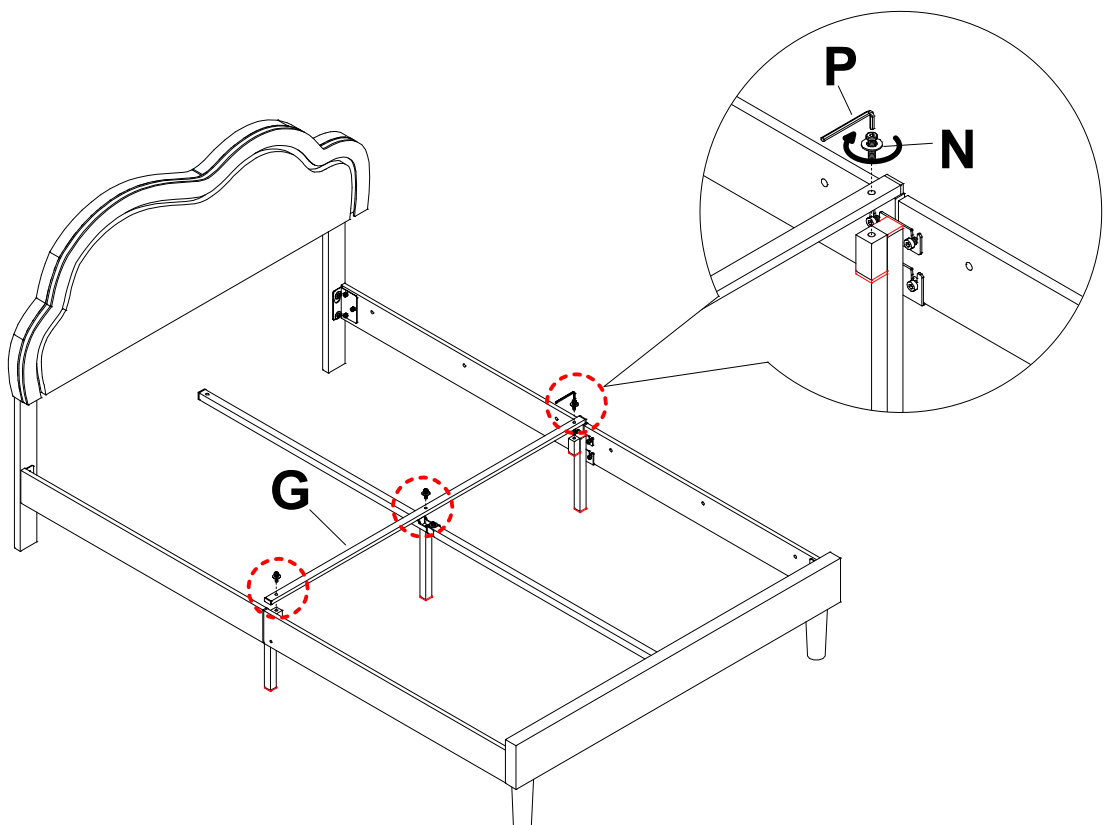
STEP 7

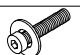
Loosen screws on the middle of the footboard, then, hang the bracket on the footboard and tighten the innerscrews.



 P x 1pc

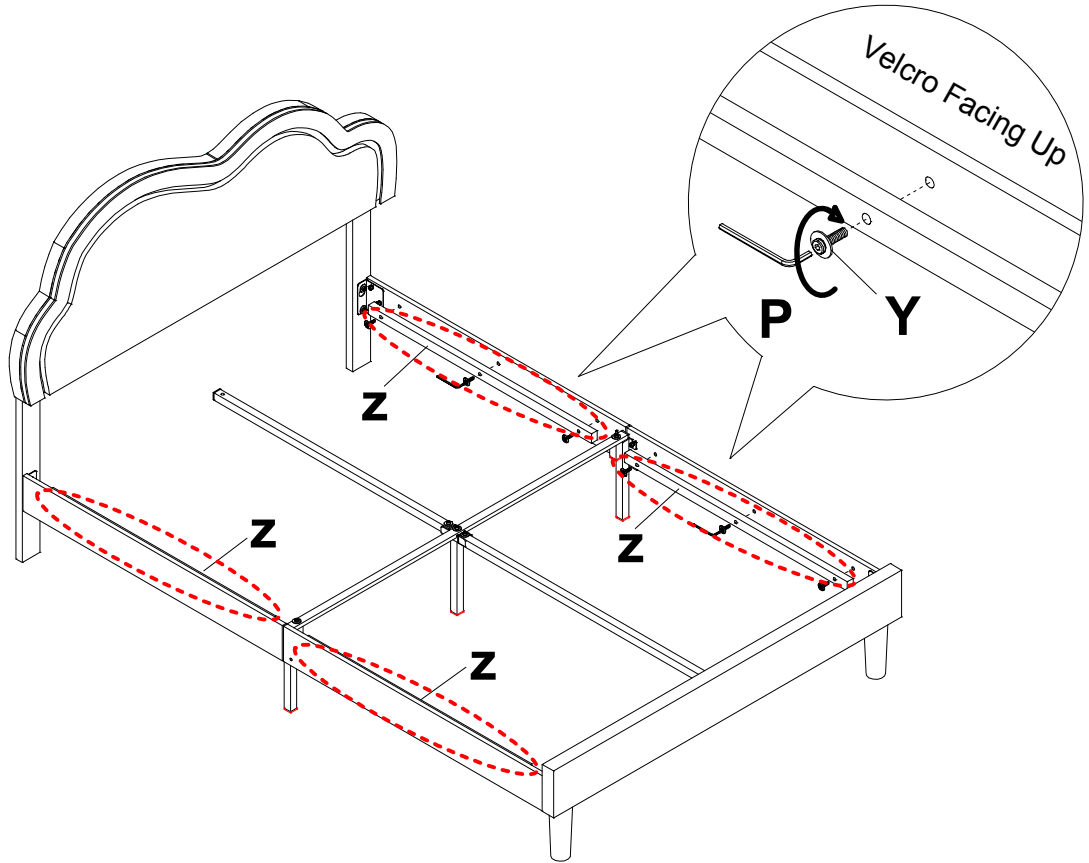
STEP 8





 N x 3pcs

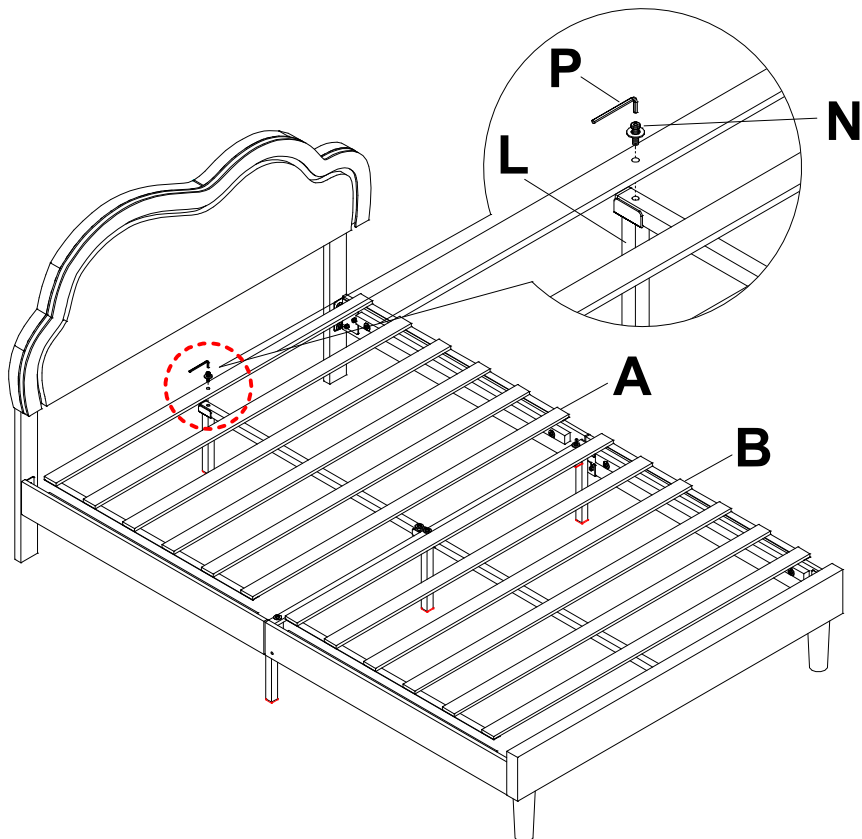
 P x 1pc



STEP 9



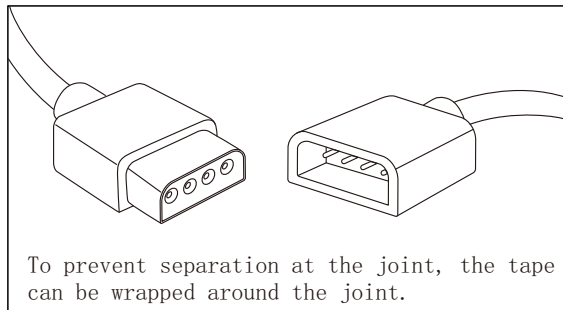
	Y x 12pcs
	P x 1pc

STEP 10



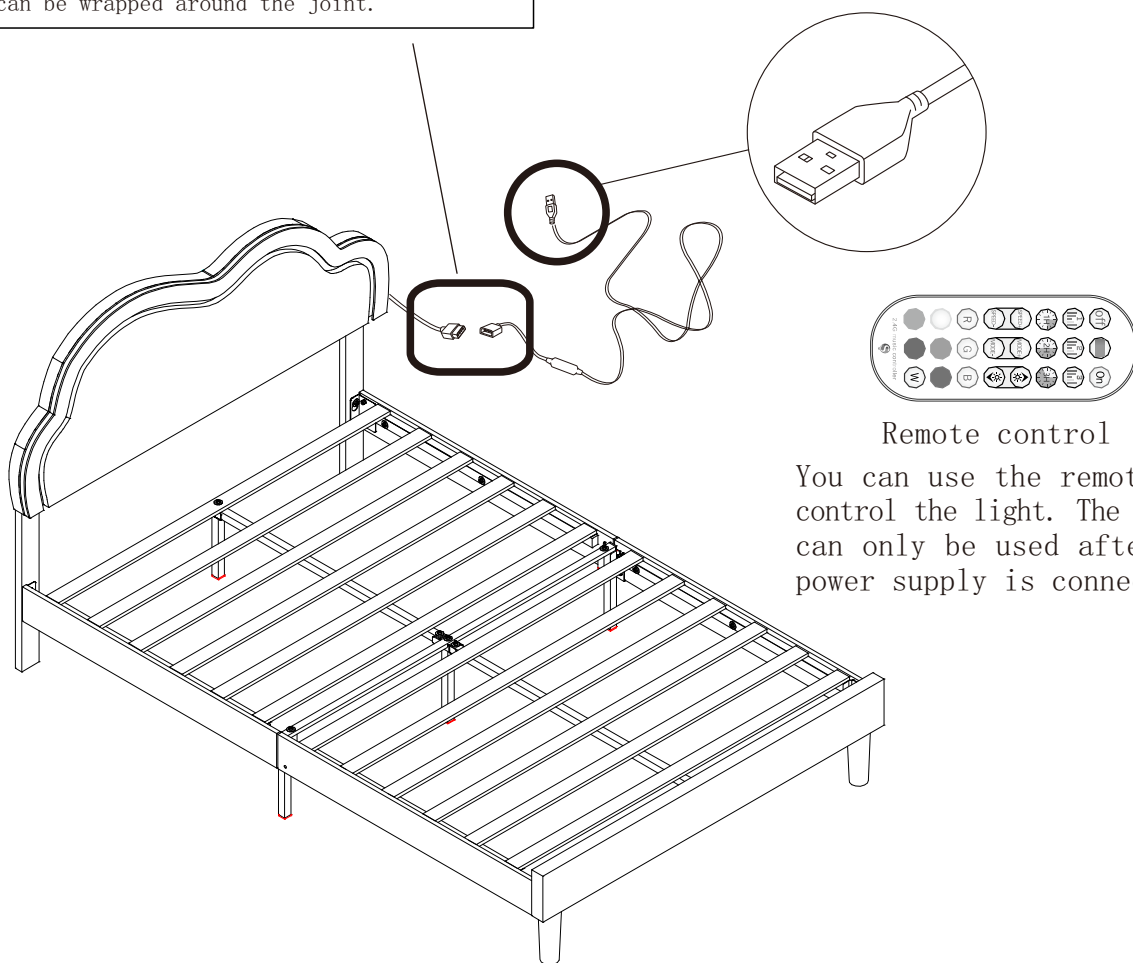
	N x 1pc
	P x 1pc

STEP 11



To prevent separation at the joint, the tape can be wrapped around the joint.

NOTE: The black part of the receiverXX needs to be exposed to air in order to better control the LED light.



Remote control

You can use the remote to control the light. The LED lamp can only be used after the power supply is connected.

Please scan the QR code on the manual/controller and install the application.

Step1: Please make sure your phone has Bluetooth enabled.

Step2: The LED light will automatically connect to the APP.



X x 1PC