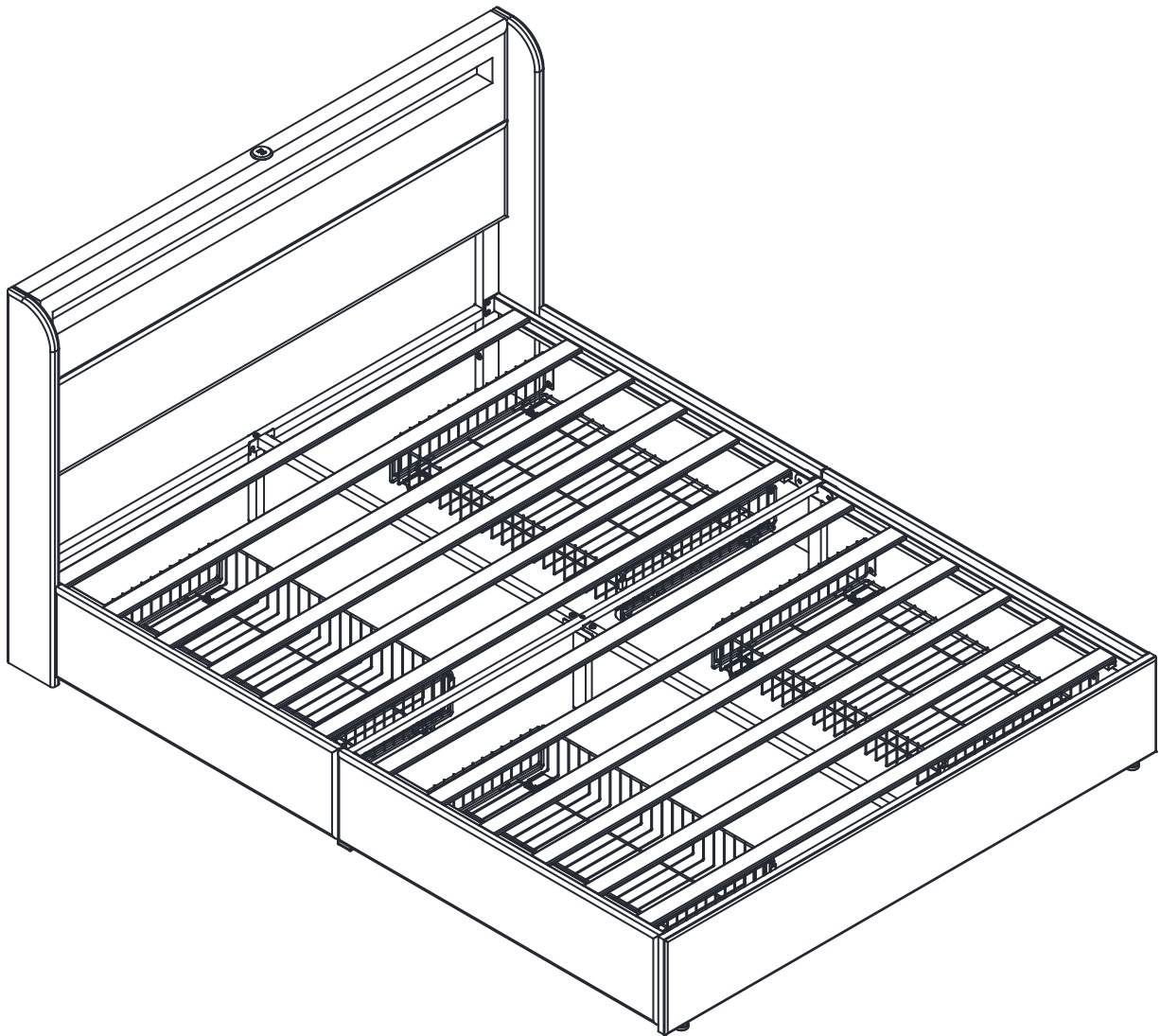


Upholstered Storage Bed with LED Lights & Wingback Assembly Instructions

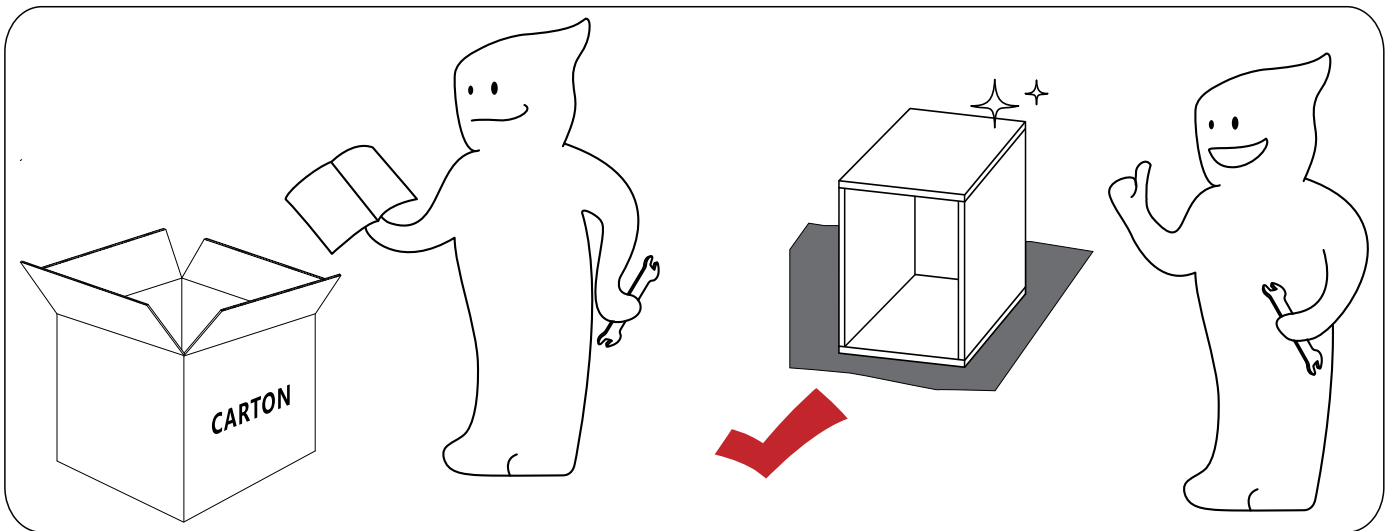
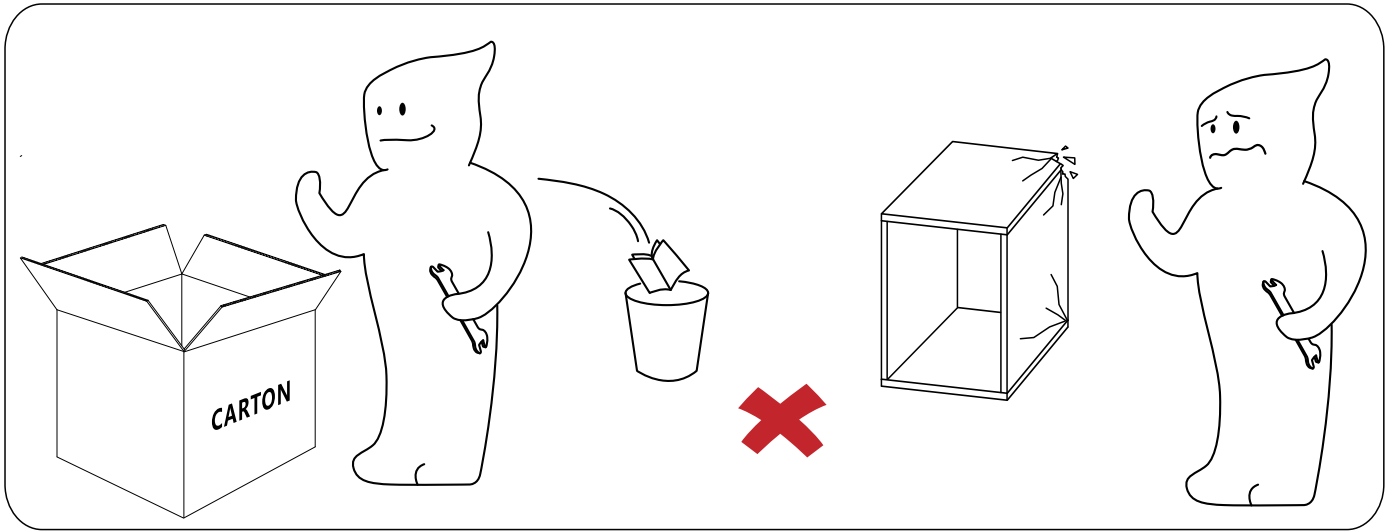


Dear Customers,

Thank you for purchasing our product. Please read this instruction manual carefully after receiving this product. It will help you assemble this product quickly, safely and correctly. You can keep this manual for future reference.

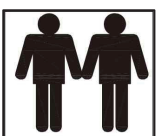
! IMPORTANT

Please follow the instruction manuals and use a pad to protect the product during your assembly.



Note:

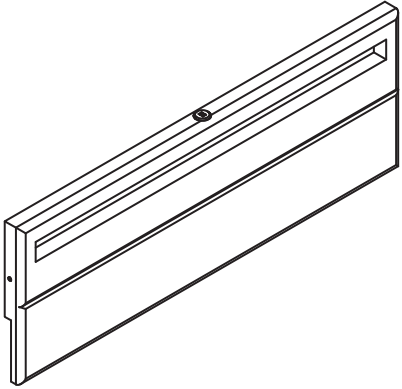
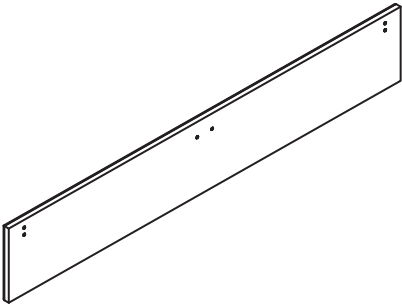




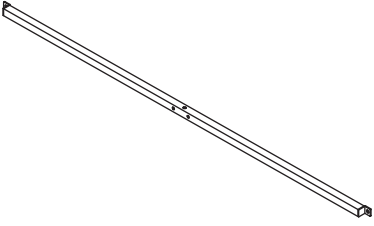


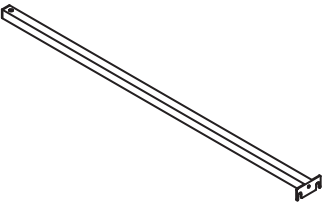
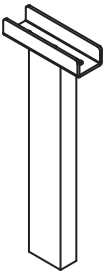
1. Should be assembled on flat ground to keep balance.
2. Before completing the installation, do not tighten the screws.



For easier and better assembly, **2** or more adults are required.

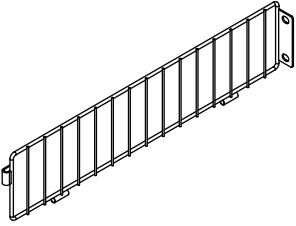
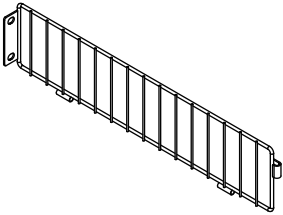
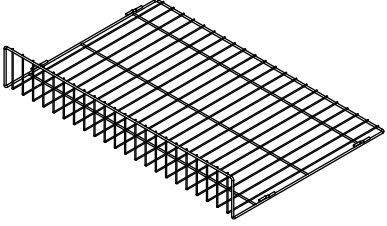
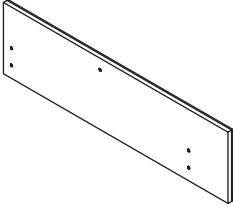
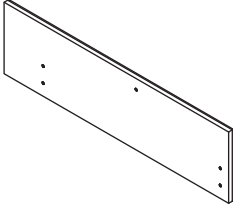
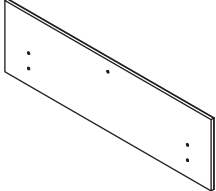
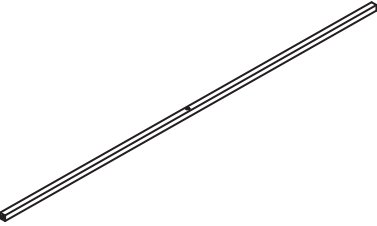
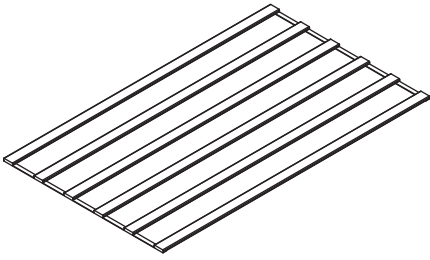
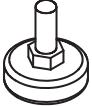
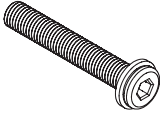
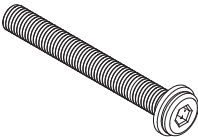
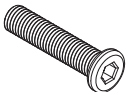
ASSEMBLY INSTRUCTIONS

PARTS LIST


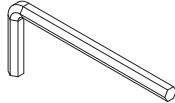
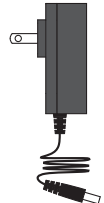
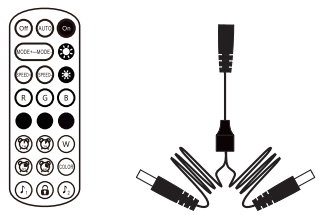
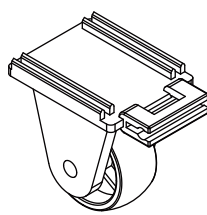
<p>1</p>  <p>1PC</p>	<p>2</p>  <p>1PC</p>	
<p>3</p>  <p>1PC</p>	<p>4</p>  <p>1PC</p>	<p>5</p>  <p>1PC</p>
<p>6</p>  <p>1PC</p>	<p>7</p>  <p>1PC</p>	<p>8</p>  <p>1PC</p>
<p>9</p>  <p>2PCS</p>	<p>10</p>  <p>2PCS</p>	<p>11</p>  <p>1PC</p>

ASSEMBLY INSTRUCTIONS

PARTS LIST

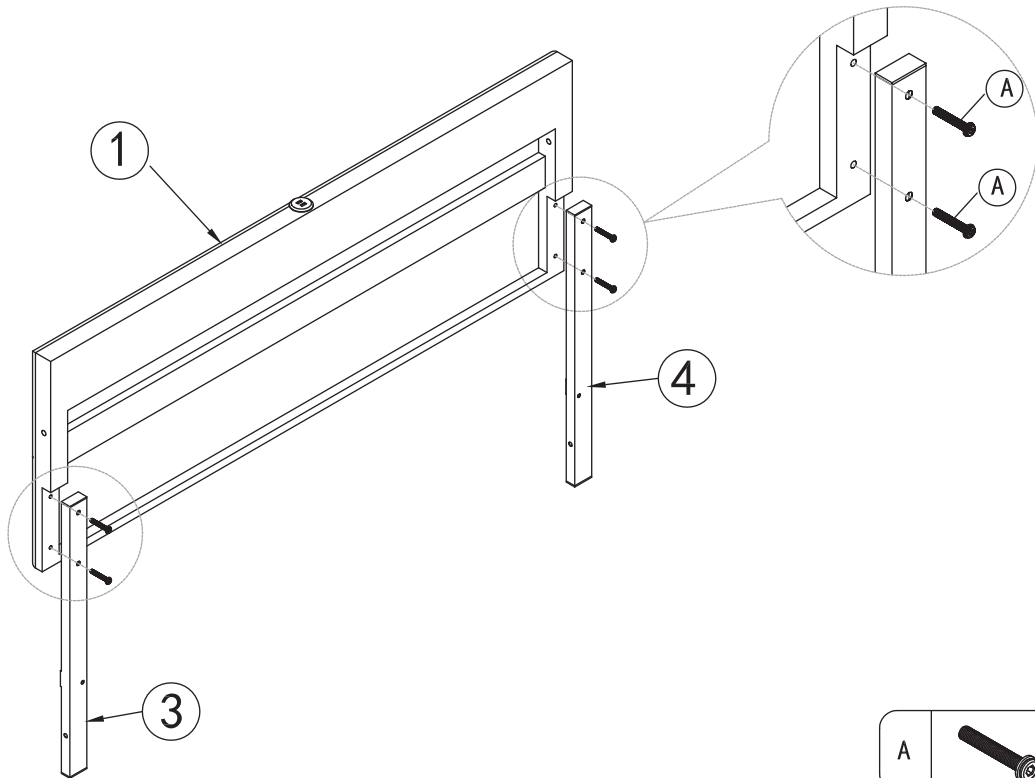
<p>12</p>  <p>4PCS</p>	<p>13</p>  <p>4PCS</p>	<p>14</p>  <p>4PCS</p>
<p>15</p>  <p>1PC</p>	<p>16</p>  <p>1PC</p>	<p>17</p>  <p>2PCS</p>
<p>18</p>  <p>1PC</p>	<p>19</p>  <p>2PCS</p>	<p>20</p>  <p>2PCS</p>
<p>A</p>  <p>M8x50</p> <p>5PCS</p>	<p>B</p>  <p>M8x65</p> <p>4PCS</p>	<p>C</p>  <p>M8x35</p> <p>3PCS</p>

ASSEMBLY INSTRUCTIONS

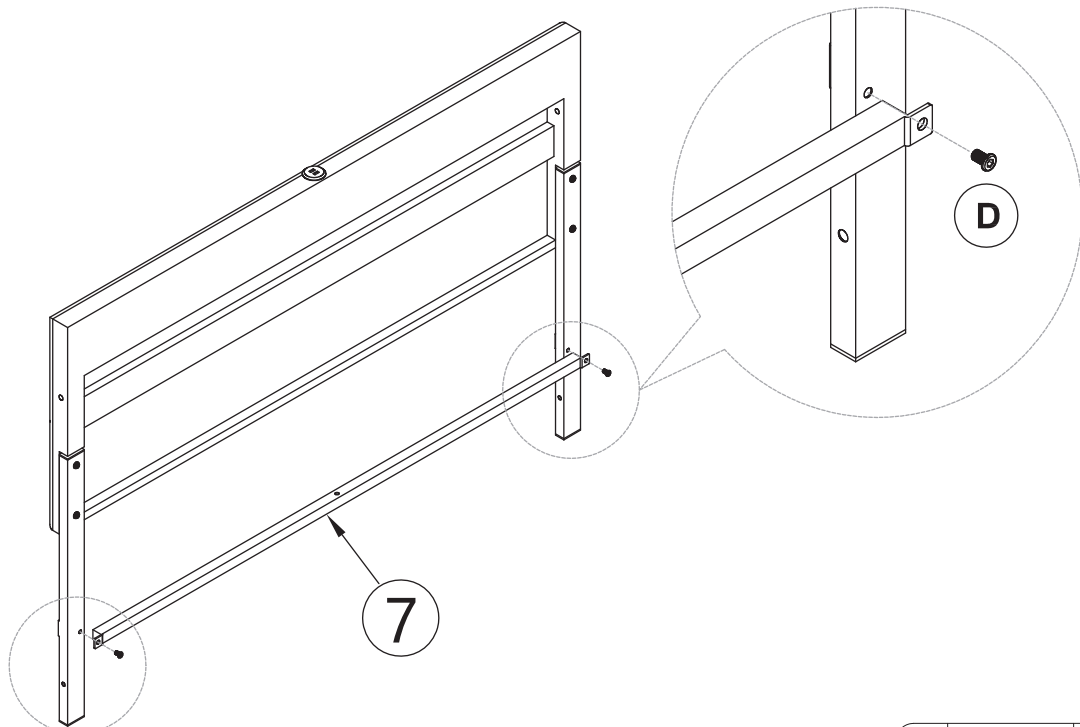
<p>D</p>  <p>M8x15</p> <p>36PCS</p>	<p>E</p>  <p>M8</p> <p>1PC</p>	<p>F</p>  <p>1PC</p>
<p>G</p>  <p>1PC</p>	<p>H</p>  <p>16PCS</p>	

ASSEMBLY INSTRUCTIONS

1

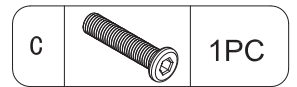
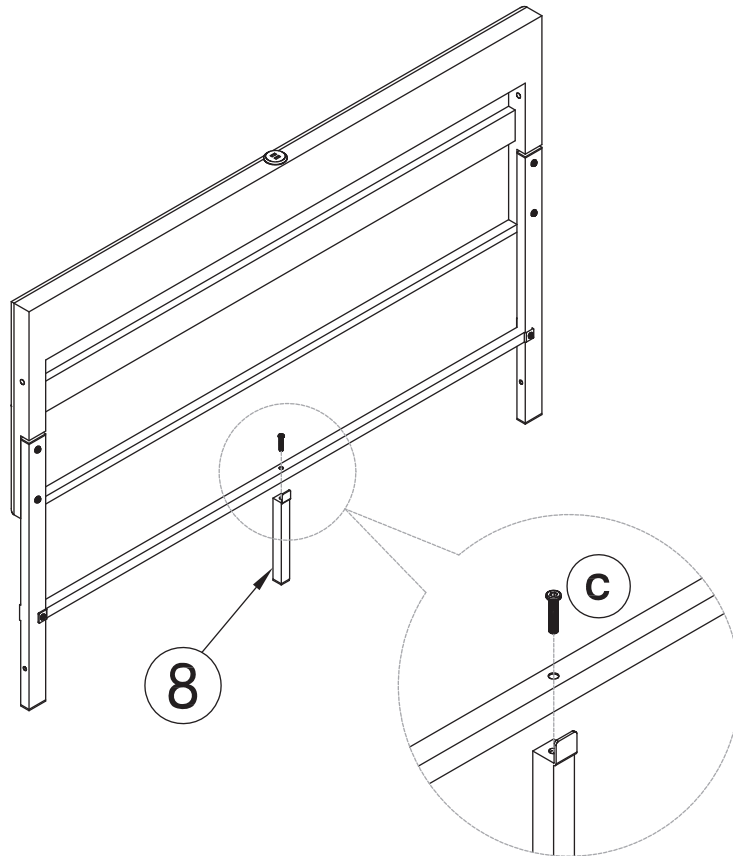


2

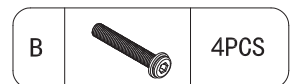
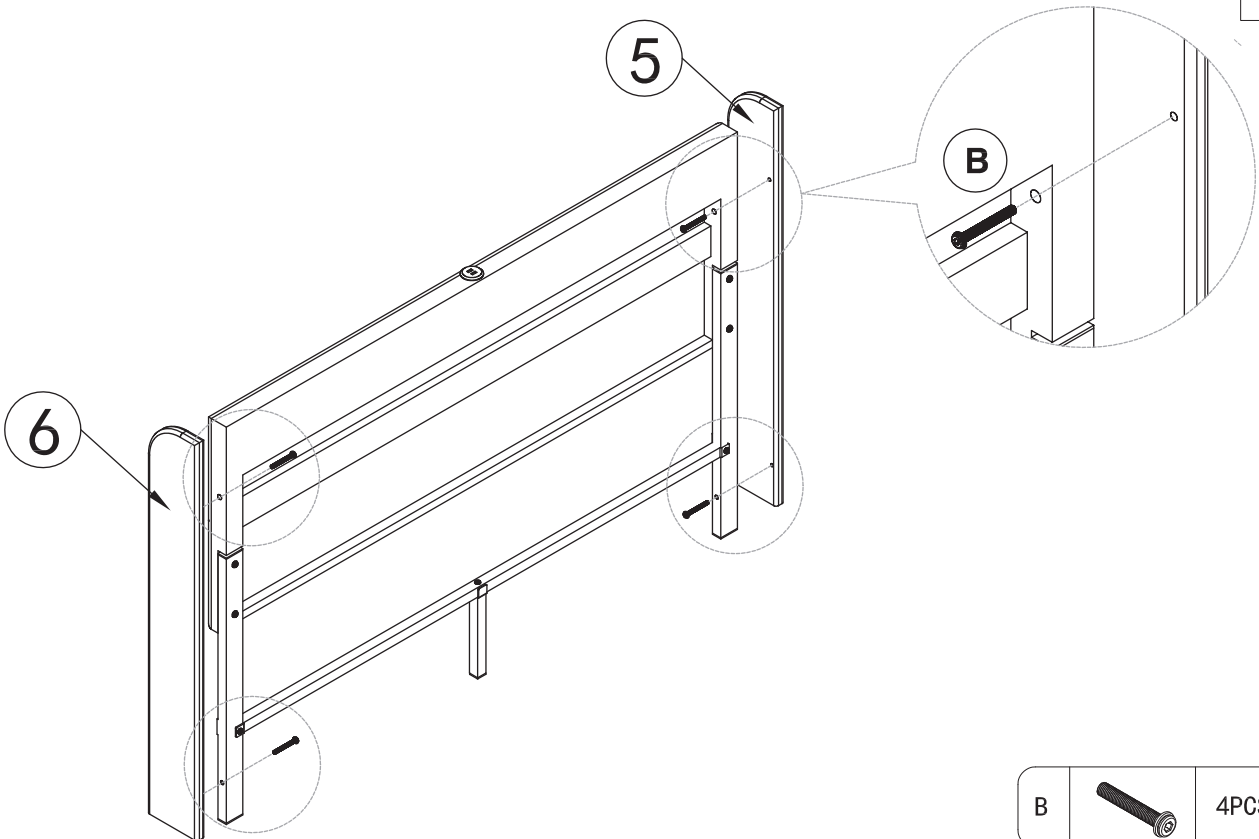


ASSEMBLY INSTRUCTIONS

3

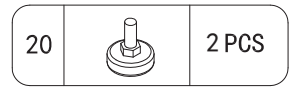
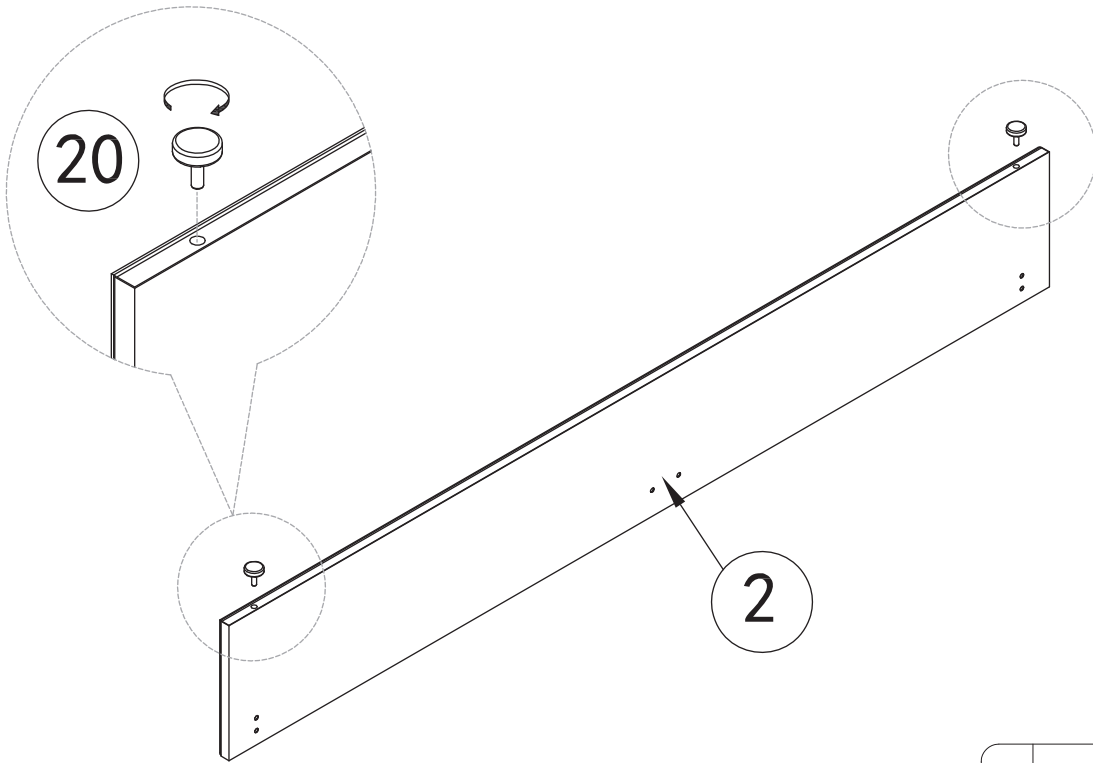


4

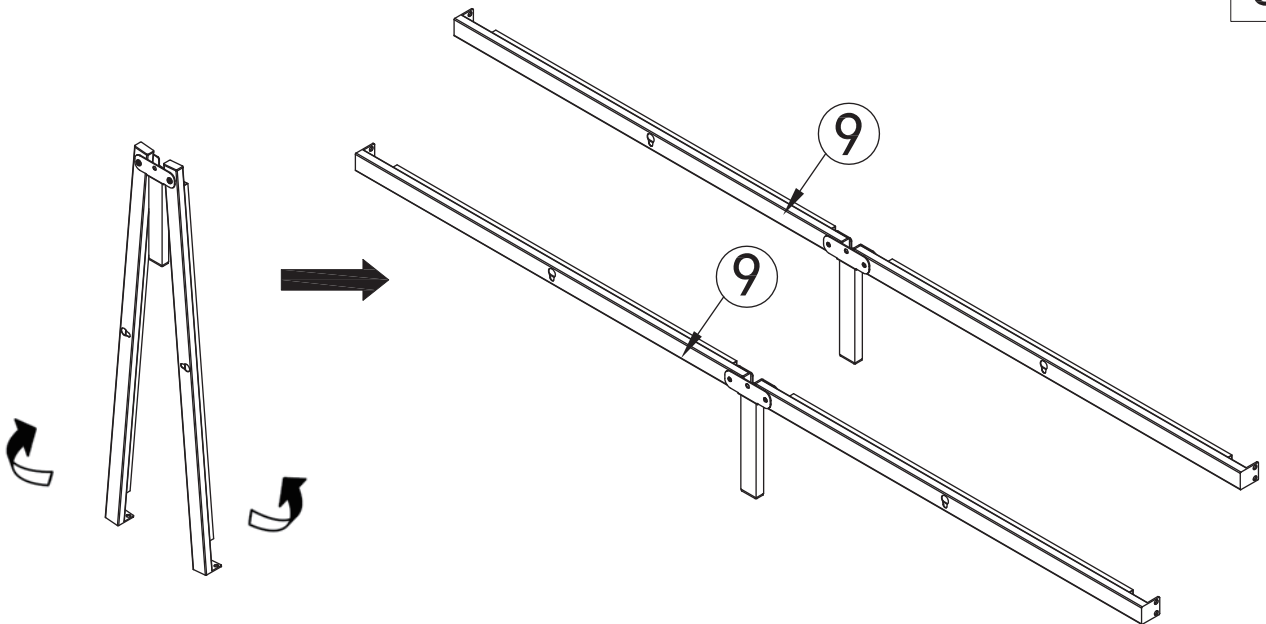


ASSEMBLY INSTRUCTIONS

5



6

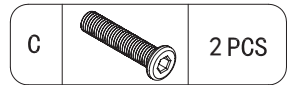
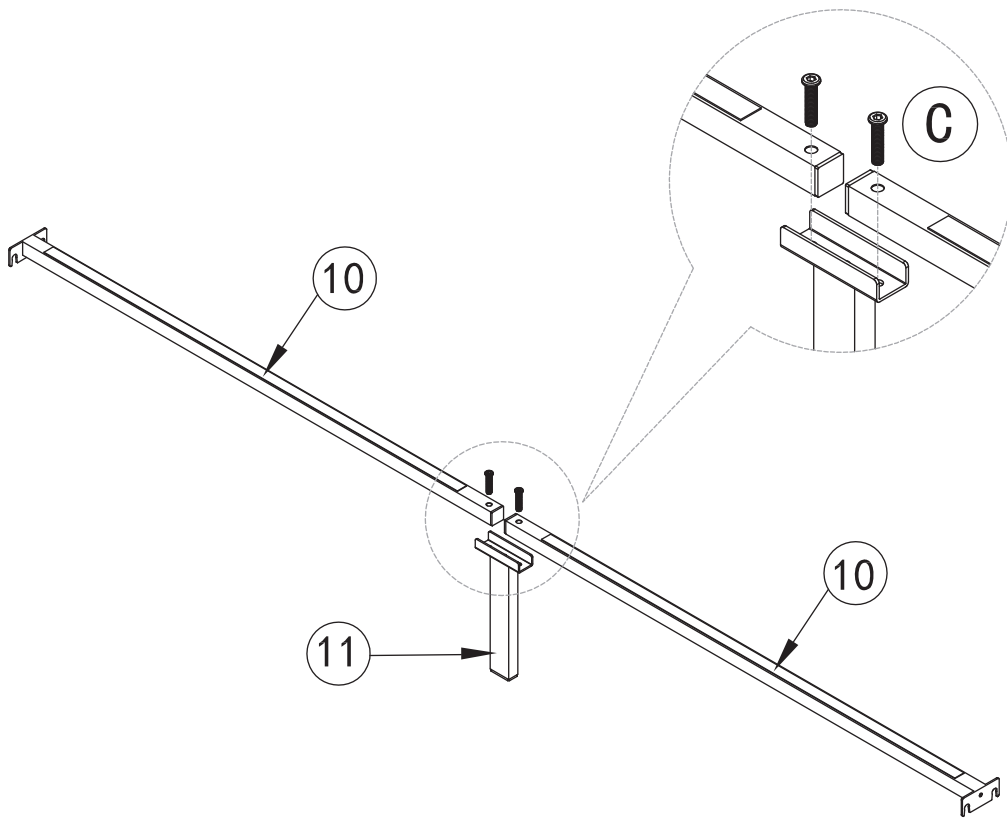


Open part ⑨

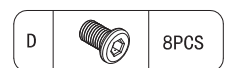
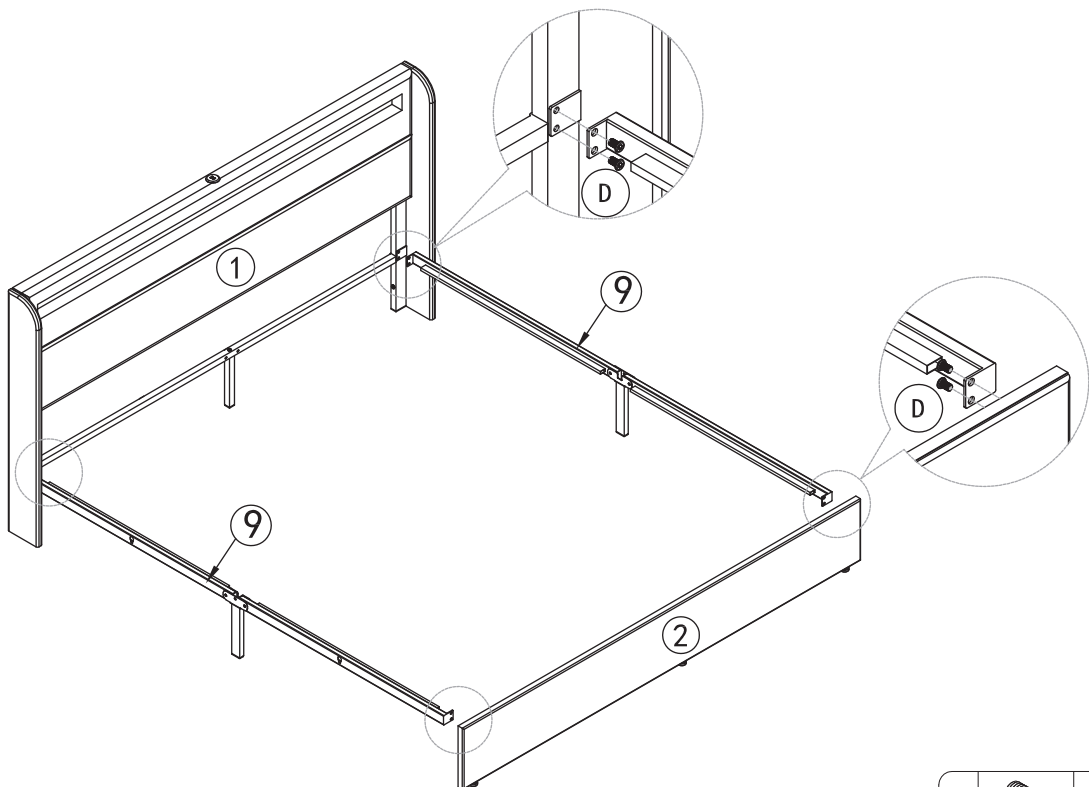
2PCS

ASSEMBLY INSTRUCTIONS

7

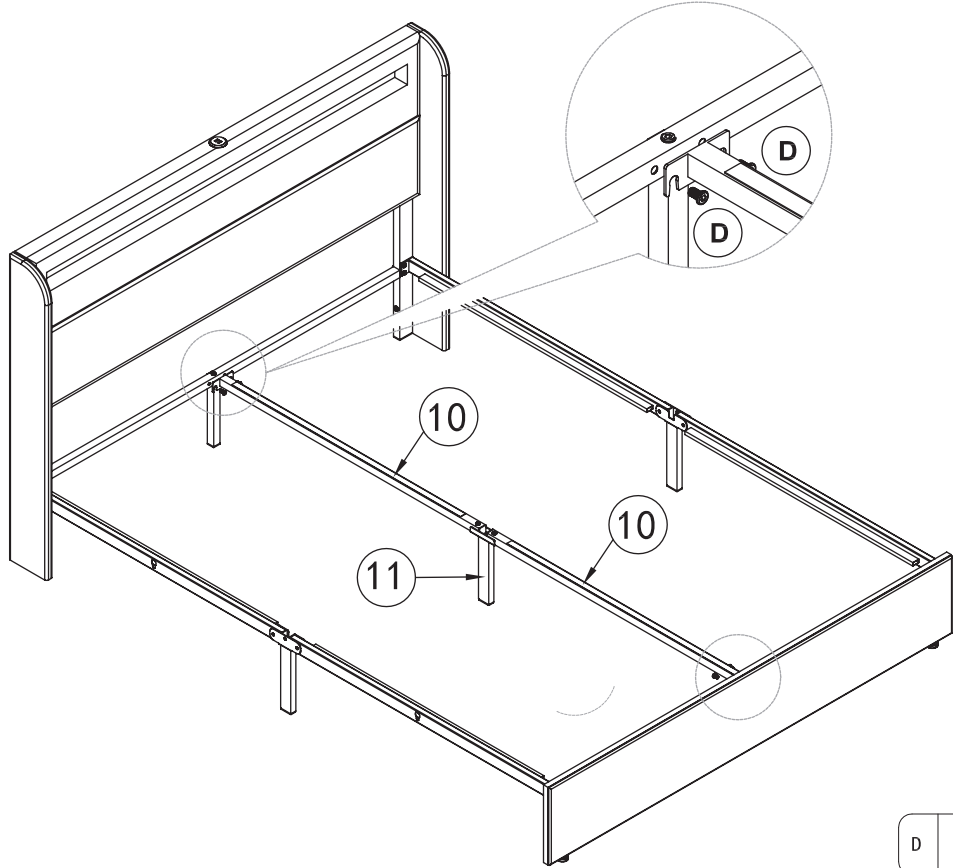



8



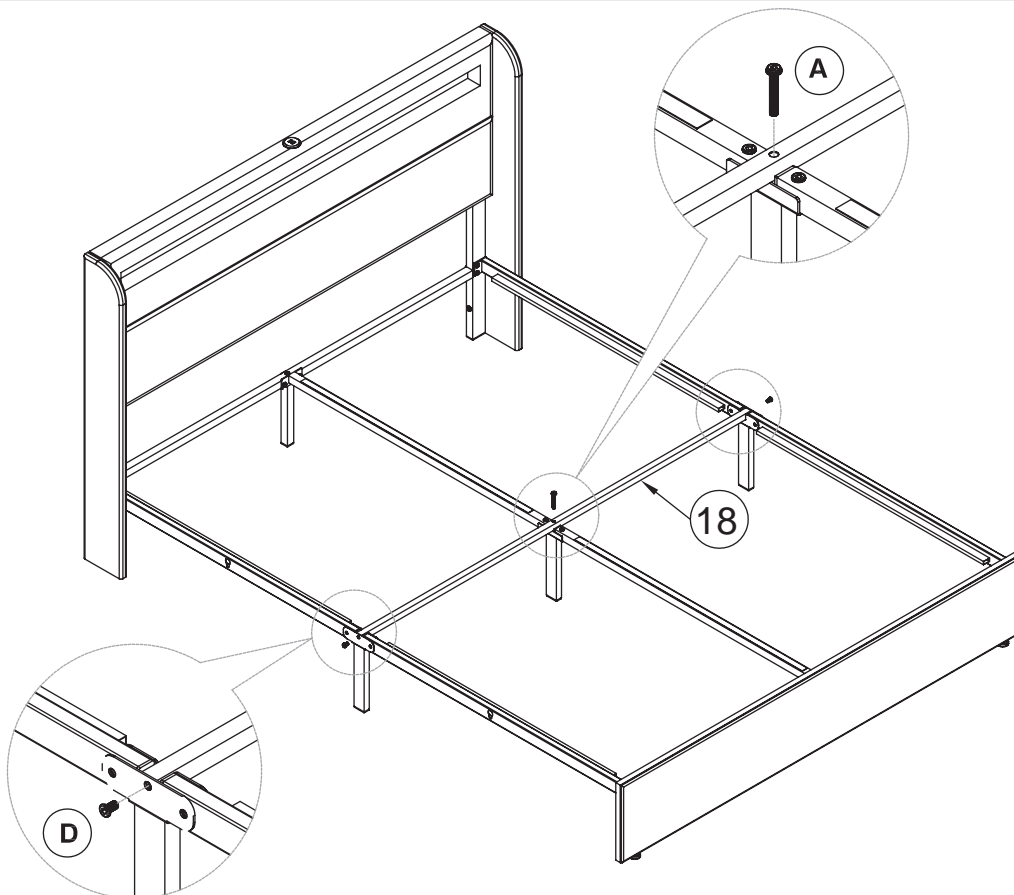
ASSEMBLY INSTRUCTIONS


9



D		4PCS
---	---	------

10

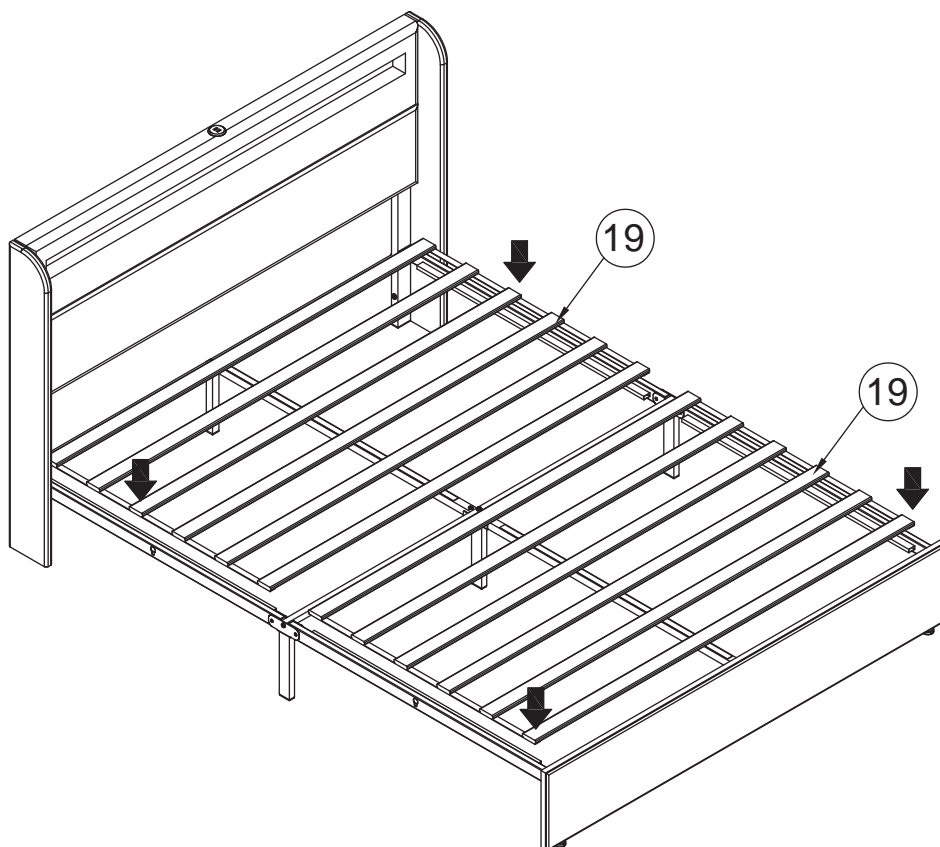


D		2PCS
---	---	------

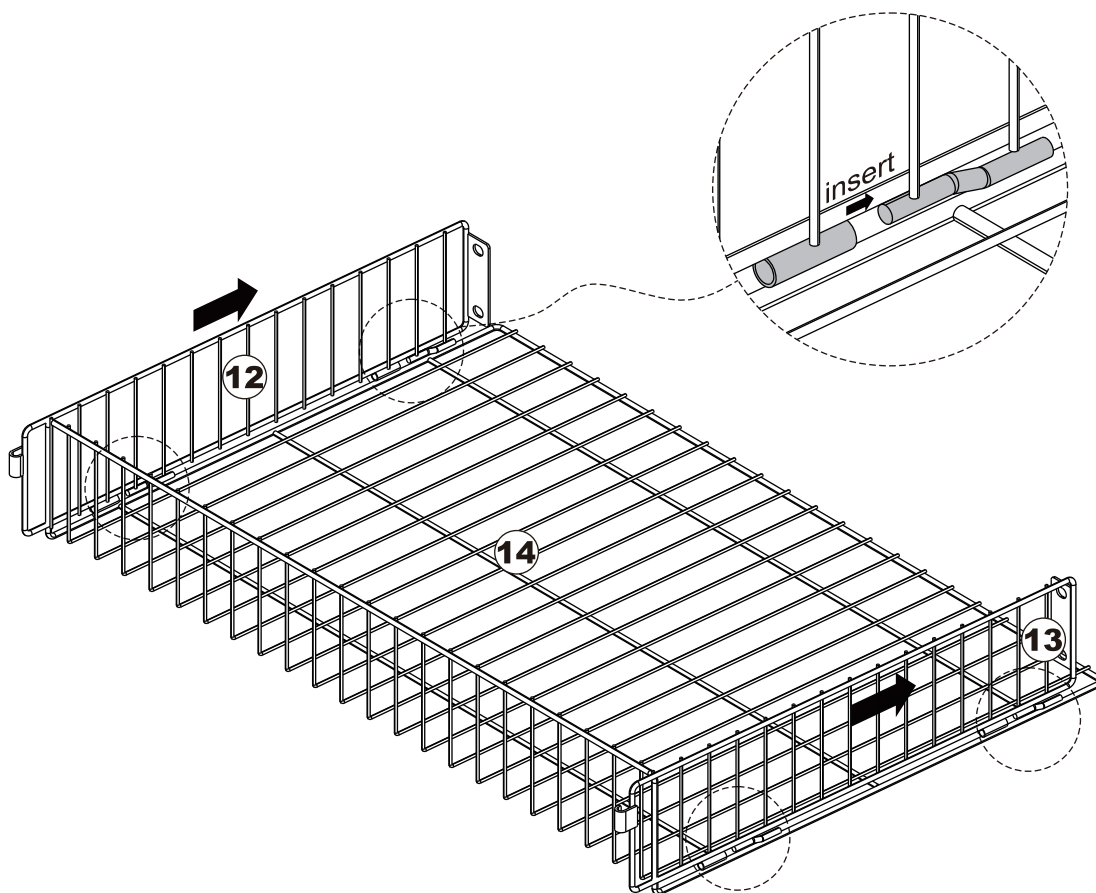
A		1PC
---	---	-----

ASSEMBLY INSTRUCTIONS

11

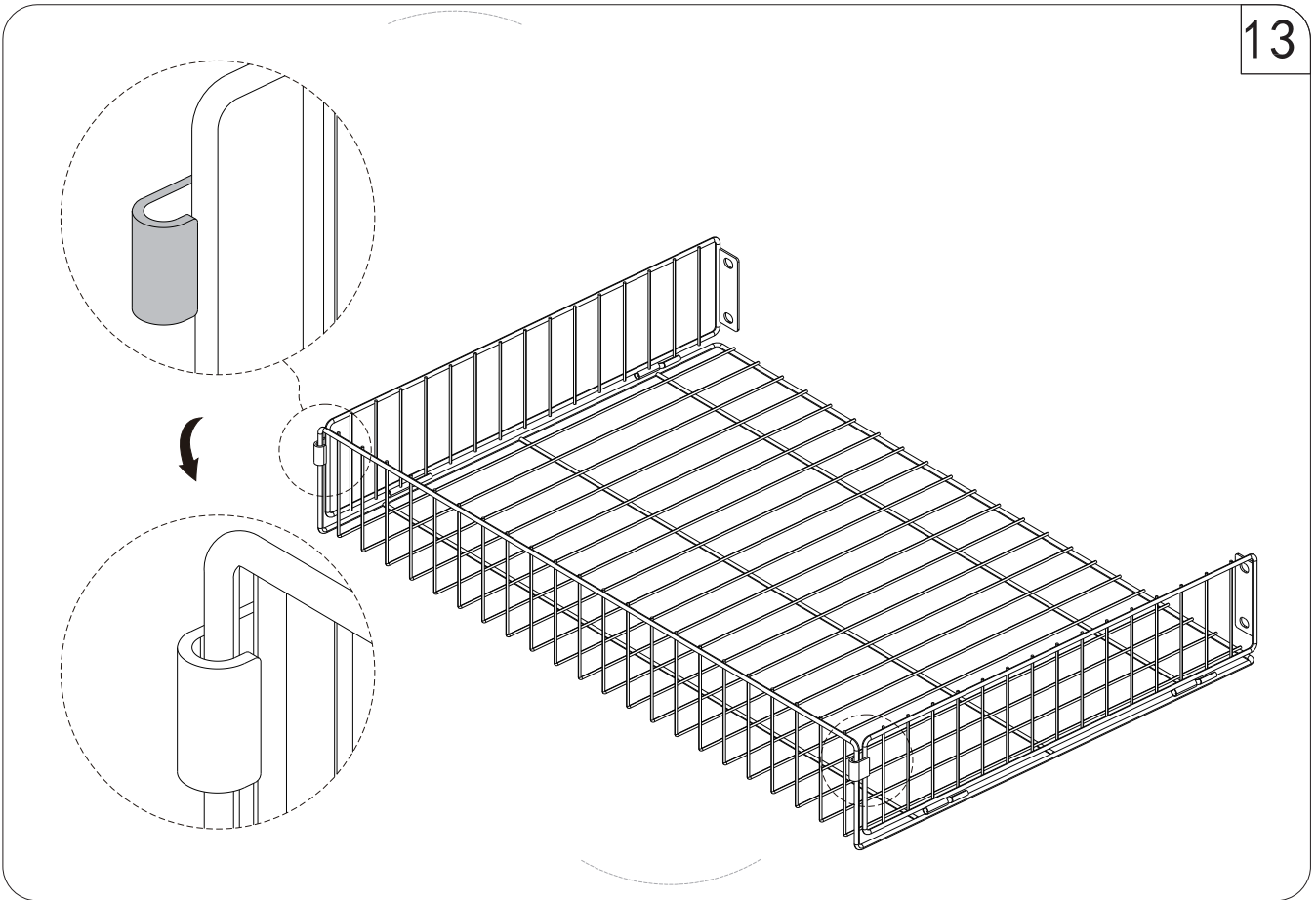


12

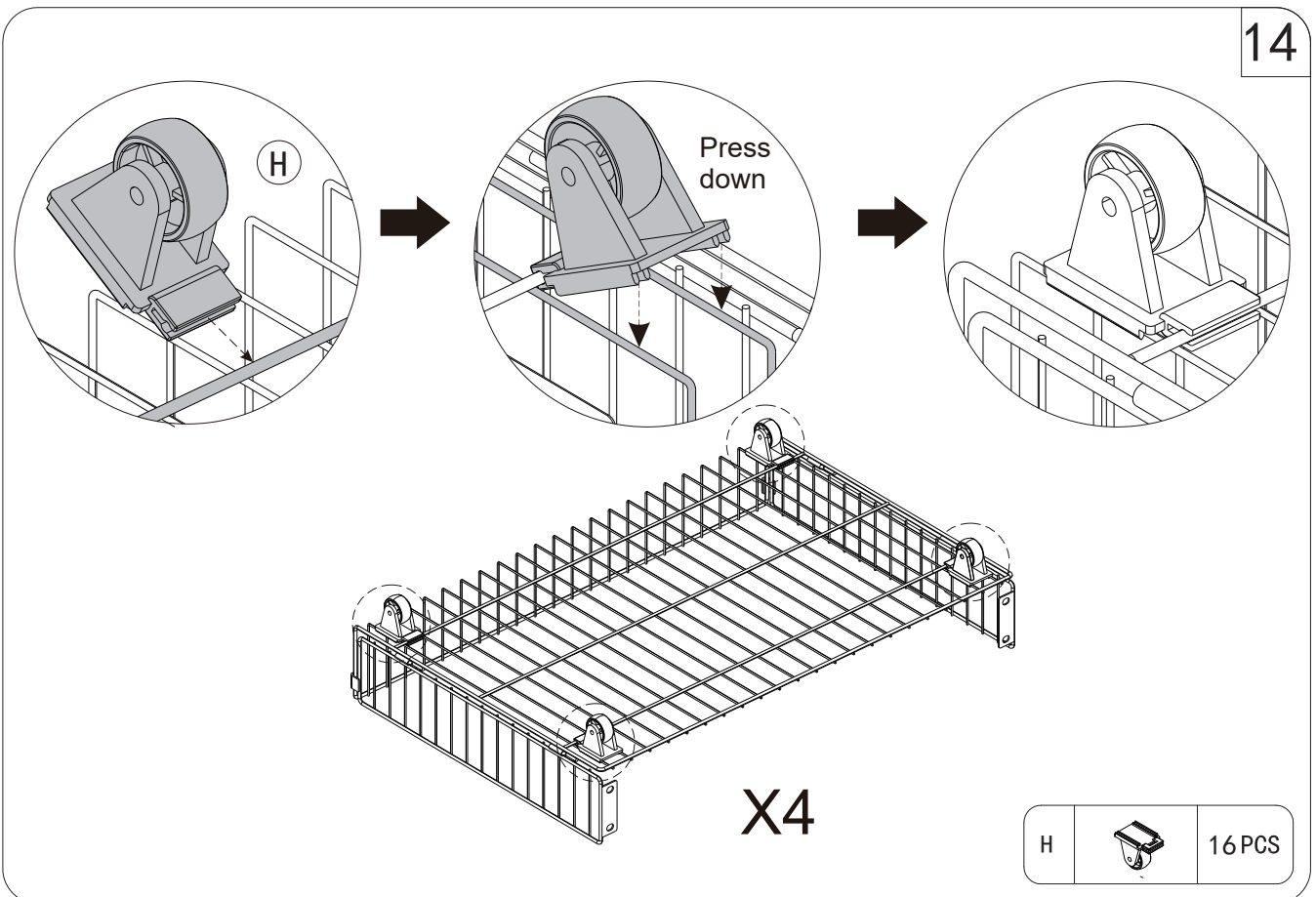


ASSEMBLY INSTRUCTIONS

13

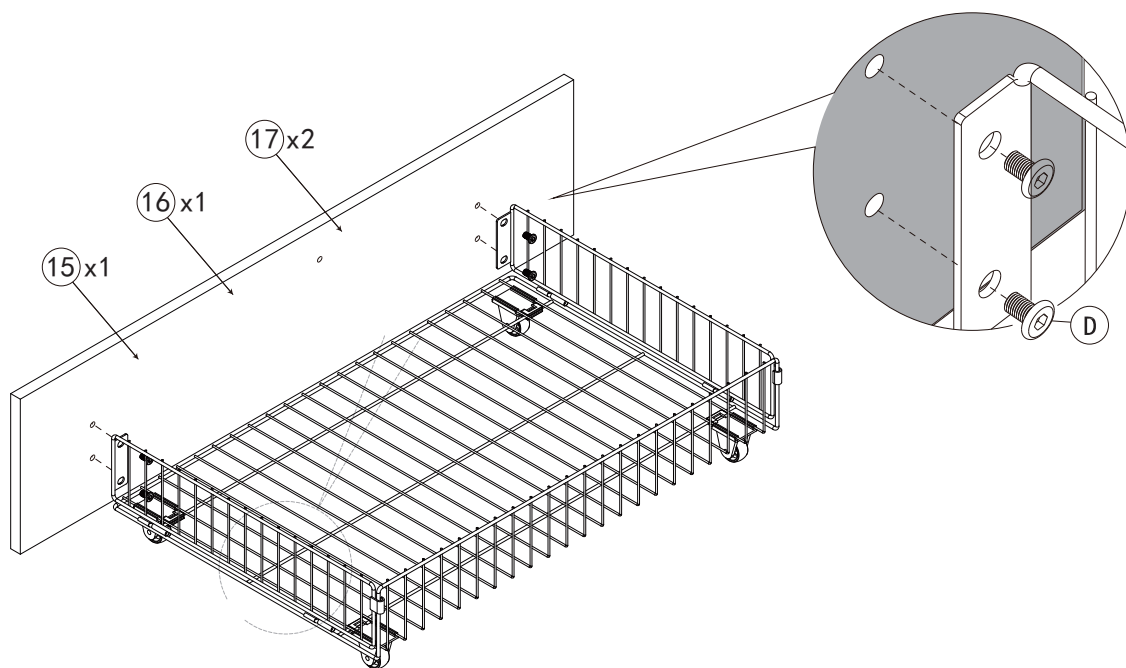


14

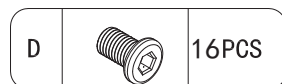


ASSEMBLY INSTRUCTIONS

15

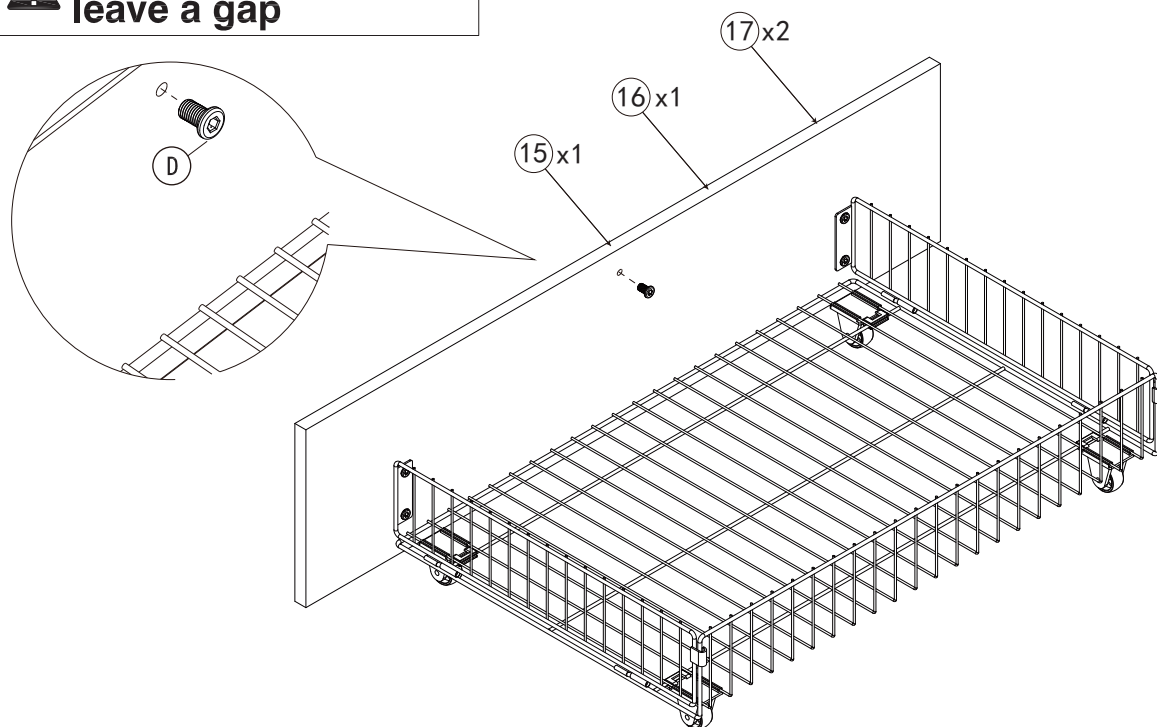


X4

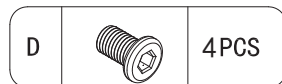


 **Don't lock the screws,
leave a gap**

16

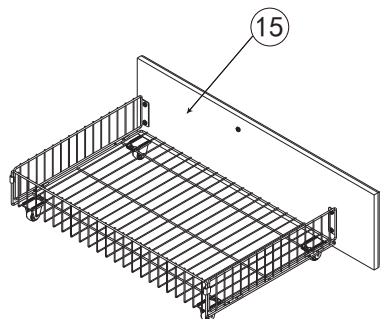


X4

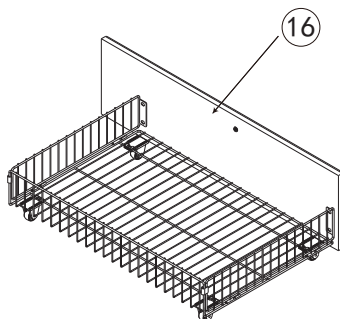


ASSEMBLY INSTRUCTIONS

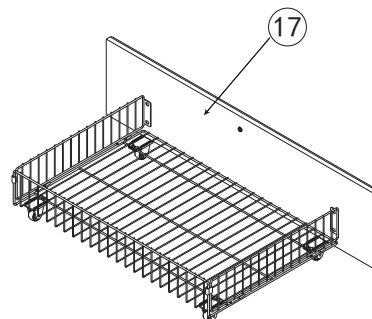
17



1PC



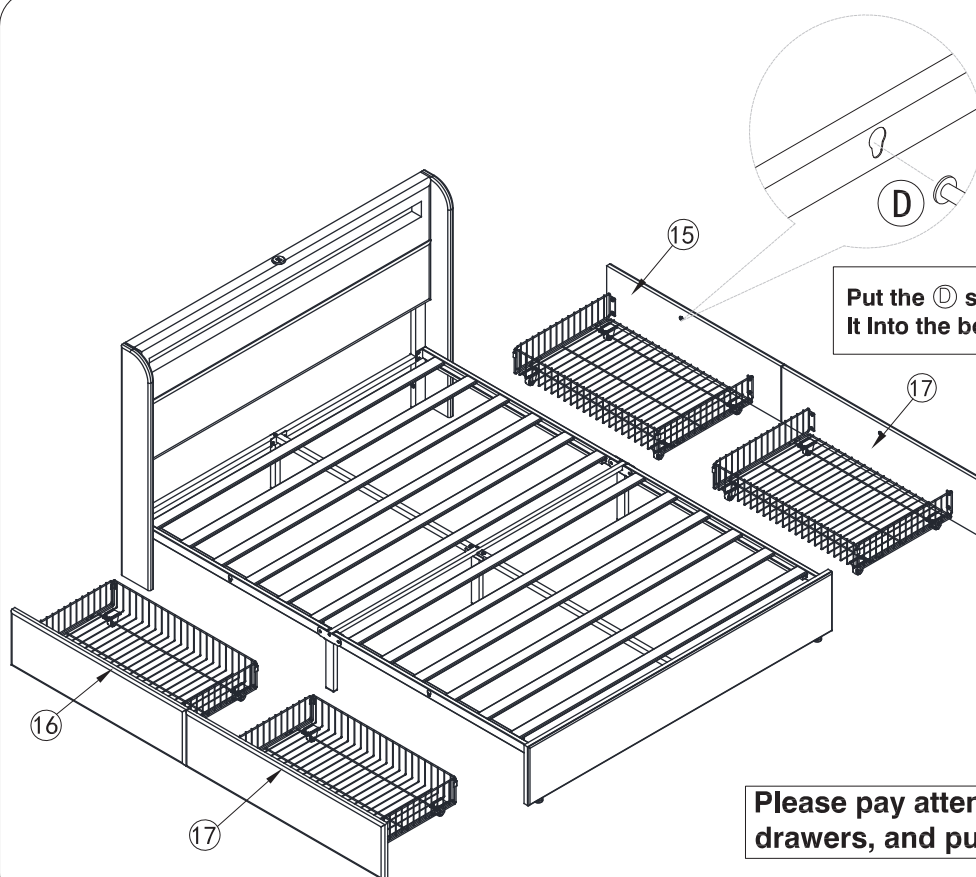
1PC



2PCS

Assemble the other three drawers in the way above. 4 drawers in total.

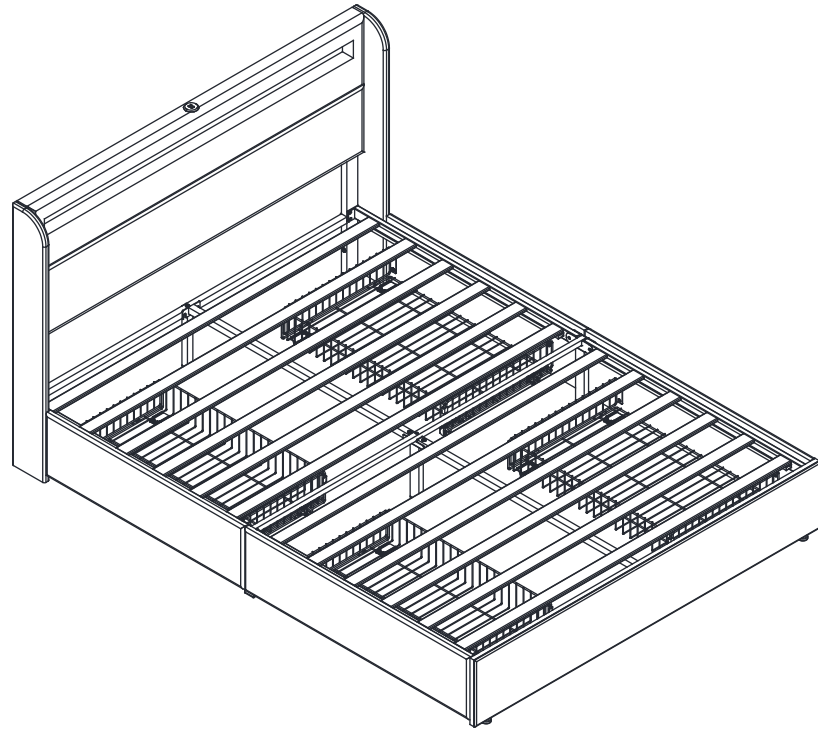
18



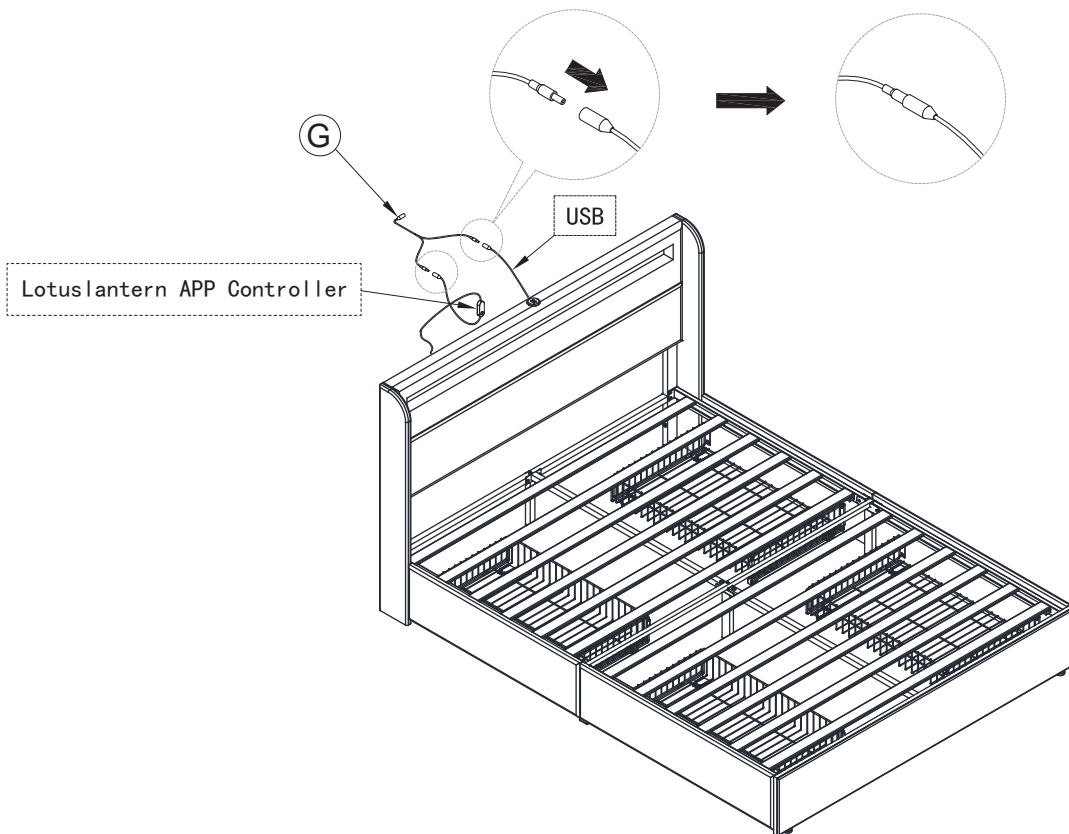
Put the D screws into the hole and press it into the bottom of the "D" hole

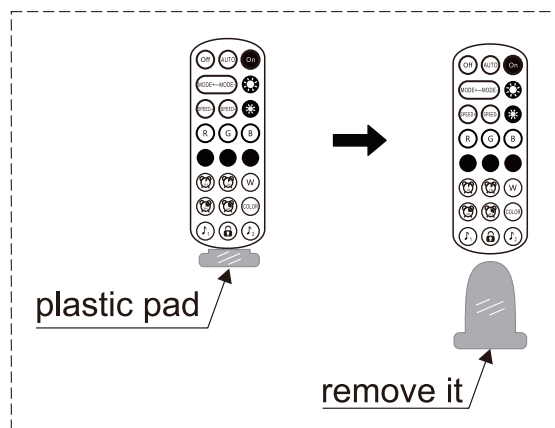
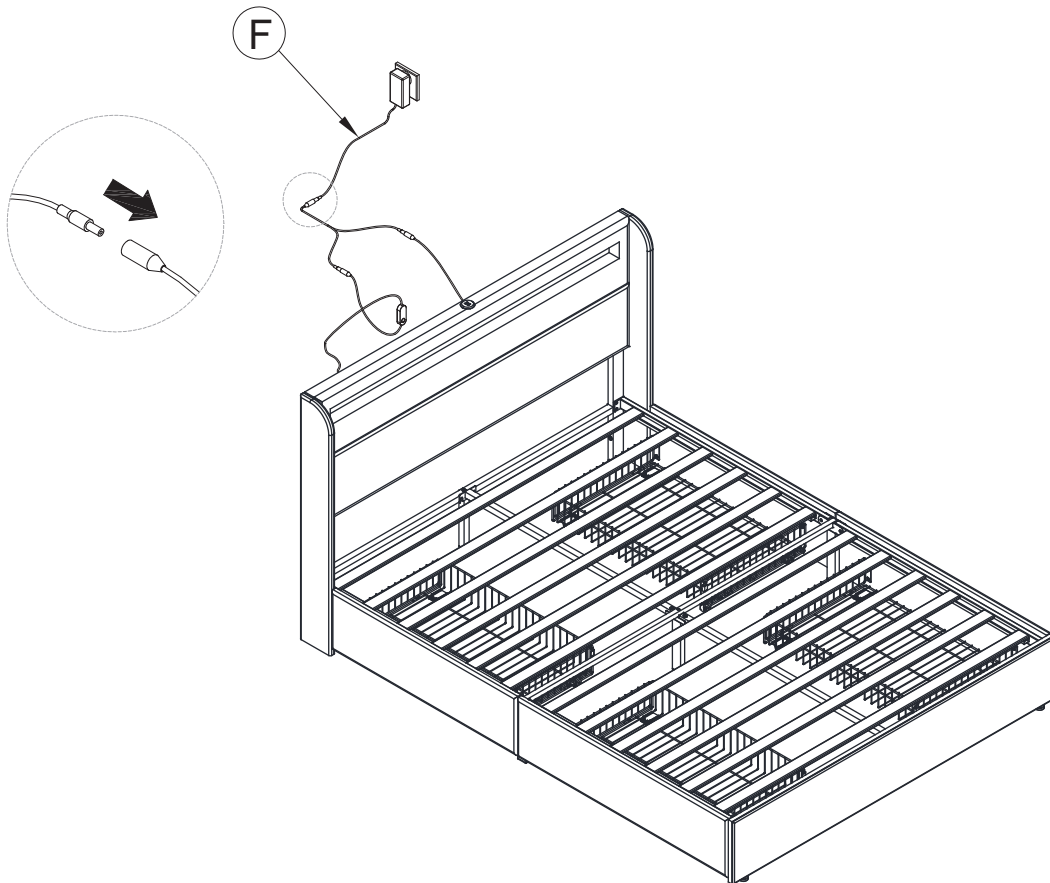
Please pay attention to the position of 4 drawers, and put them as shown above

19



20





Remove the plastic pad on the remote control after the installation was complete and start the remote operation without direction restriction.

Thank you for purchasing our product