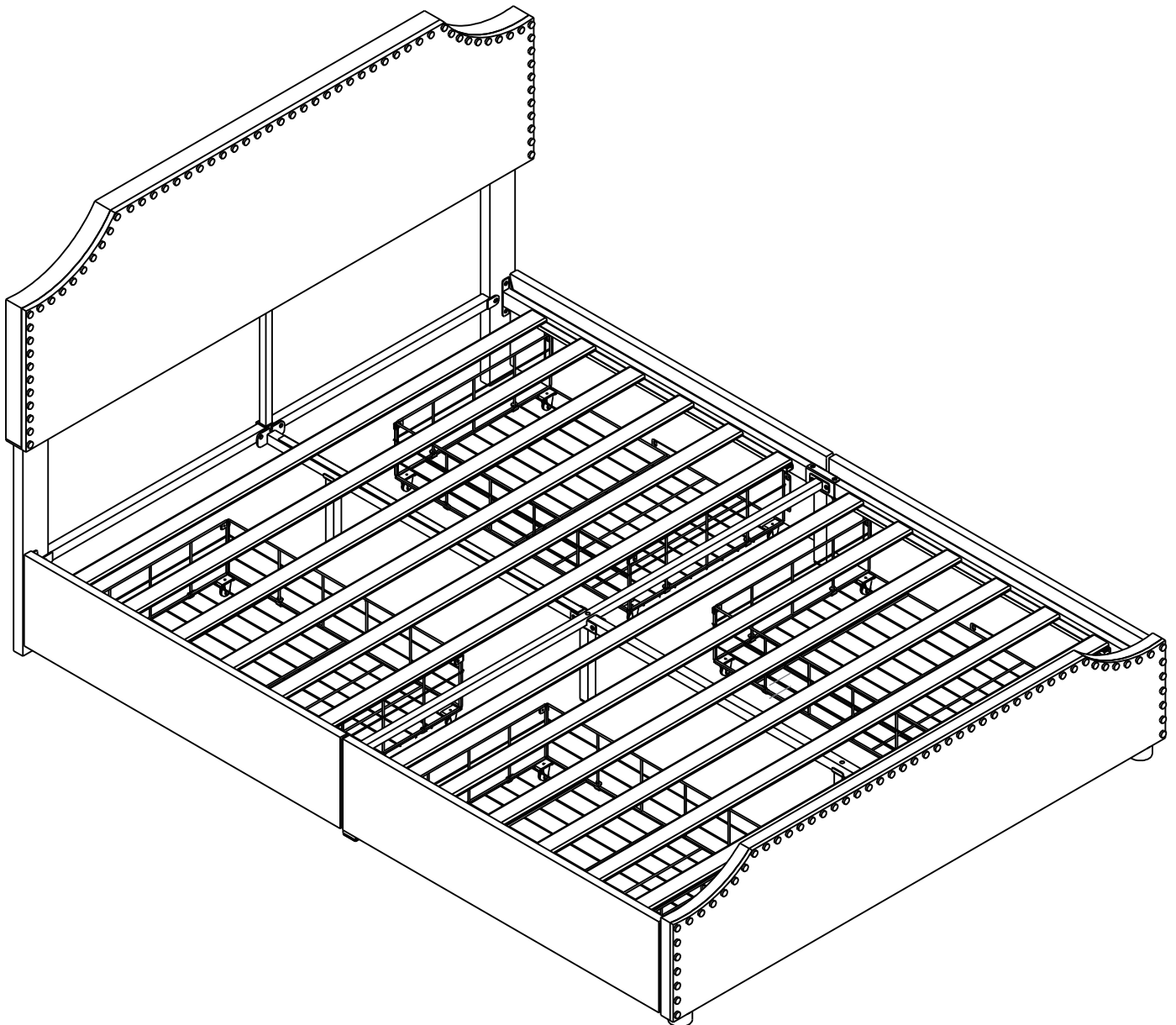


Rivet Velvet Bed W/ Drawers Assembly Instructions



Dear Customers,

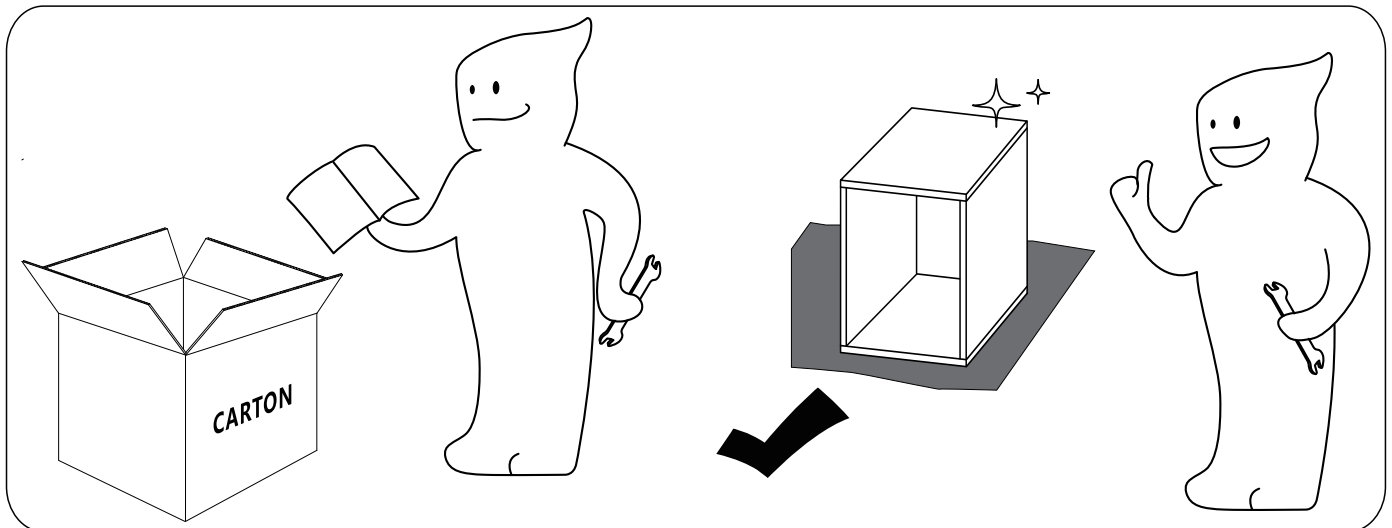
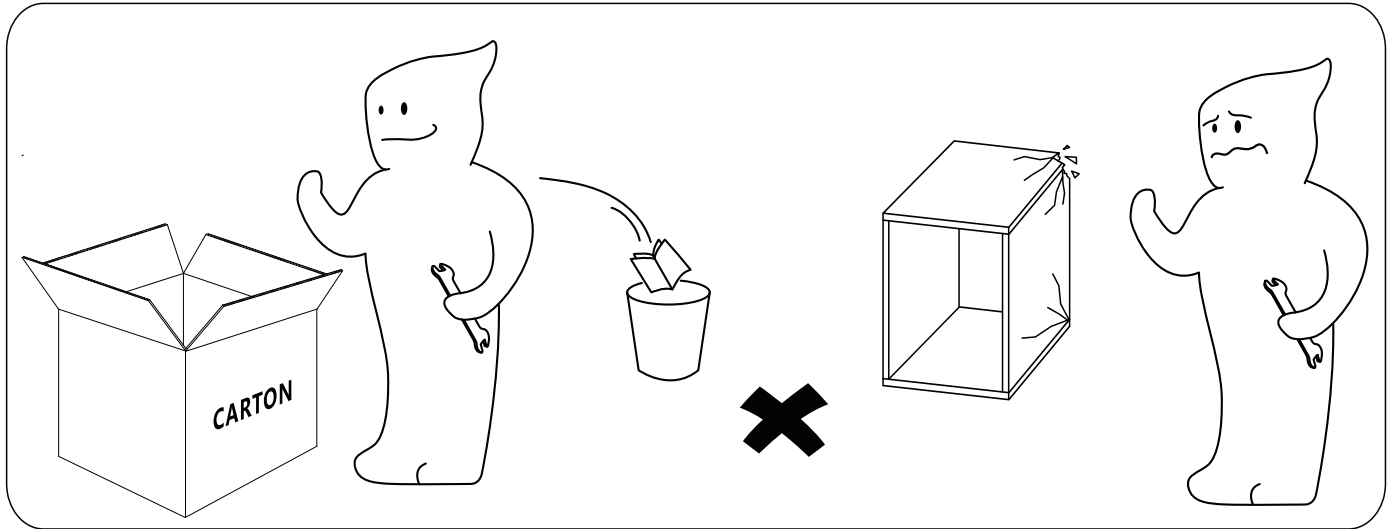
Thank you for purchasing our product. Please read this instruction manual carefully after receiving this product. It will help you assemble this product quickly, safely and correctly. You can keep this manual for future reference.

MADE IN CHINA



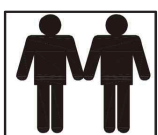
! IMPORTANT

Please follow the instruction manuals and use a pad to protect the product during your assembly.

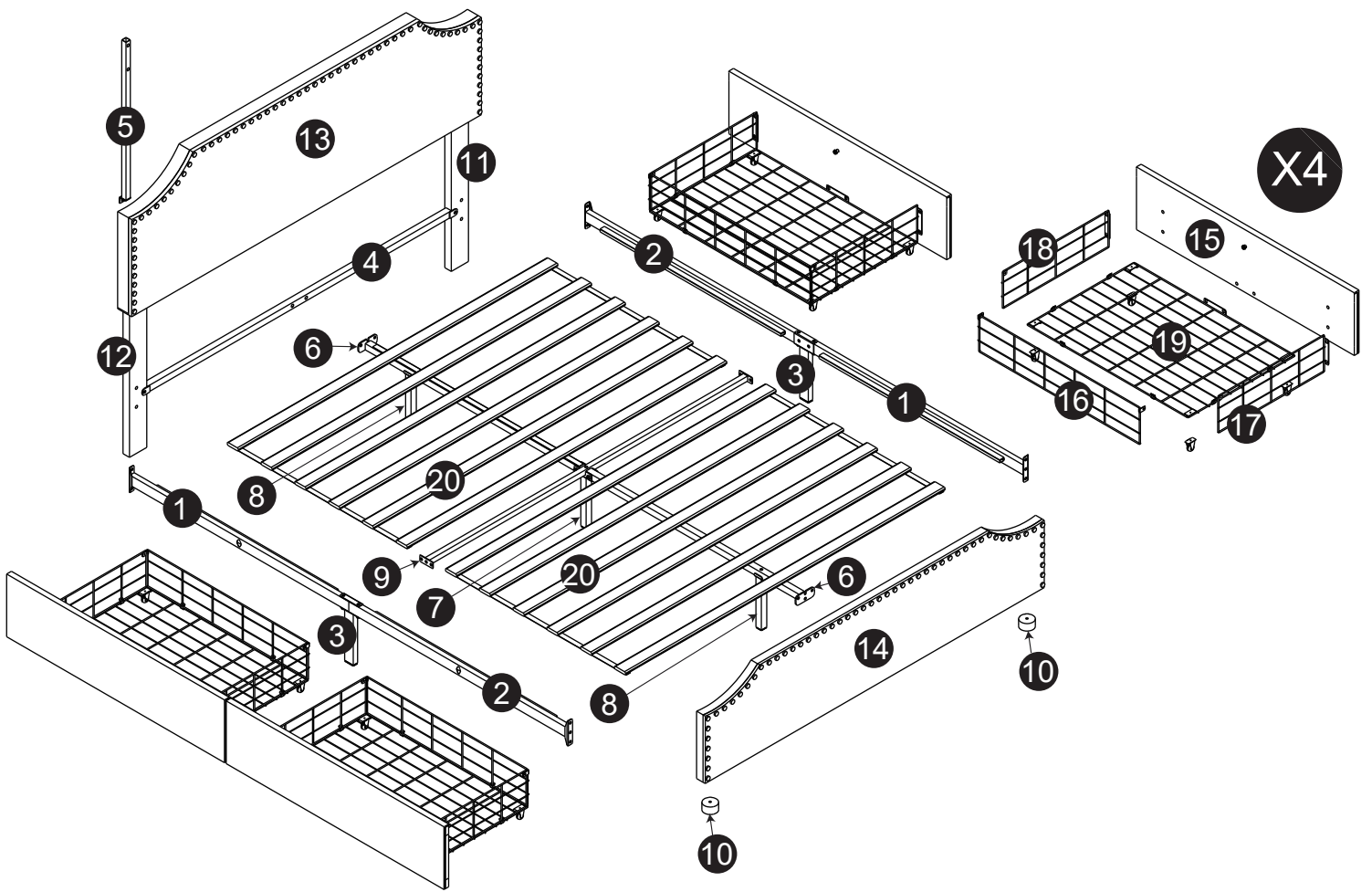


Note:

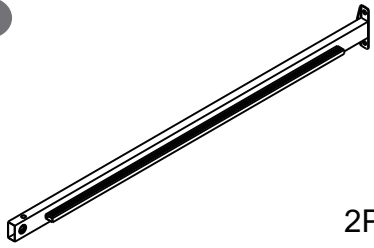
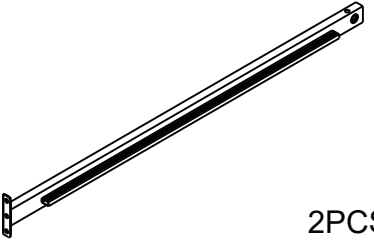
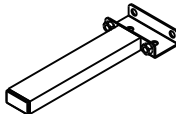
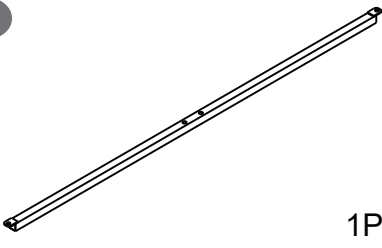
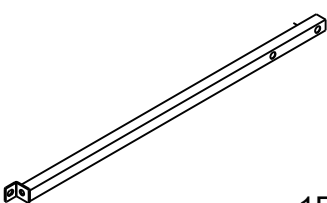
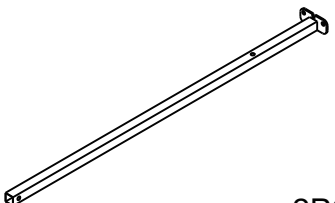
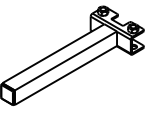
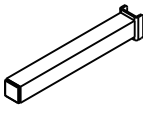
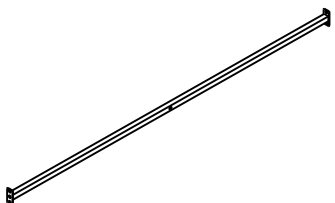

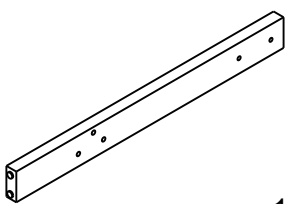
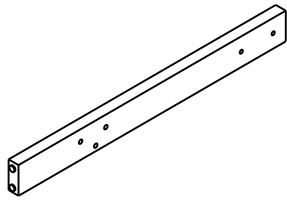
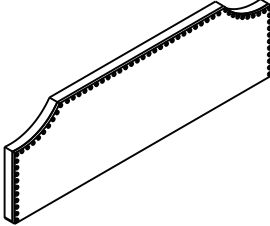
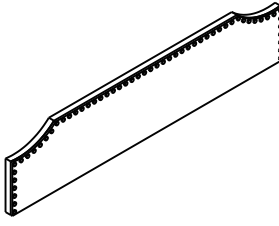
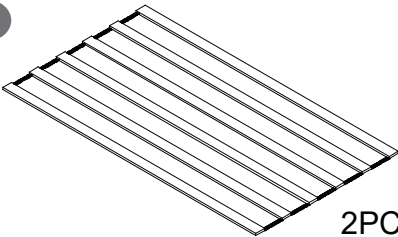


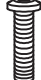
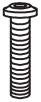


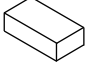
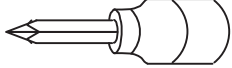
- 1. Should be assembled on flat ground to keep balance.**
- 2. Before completing the installation, do not tighten the screws.**



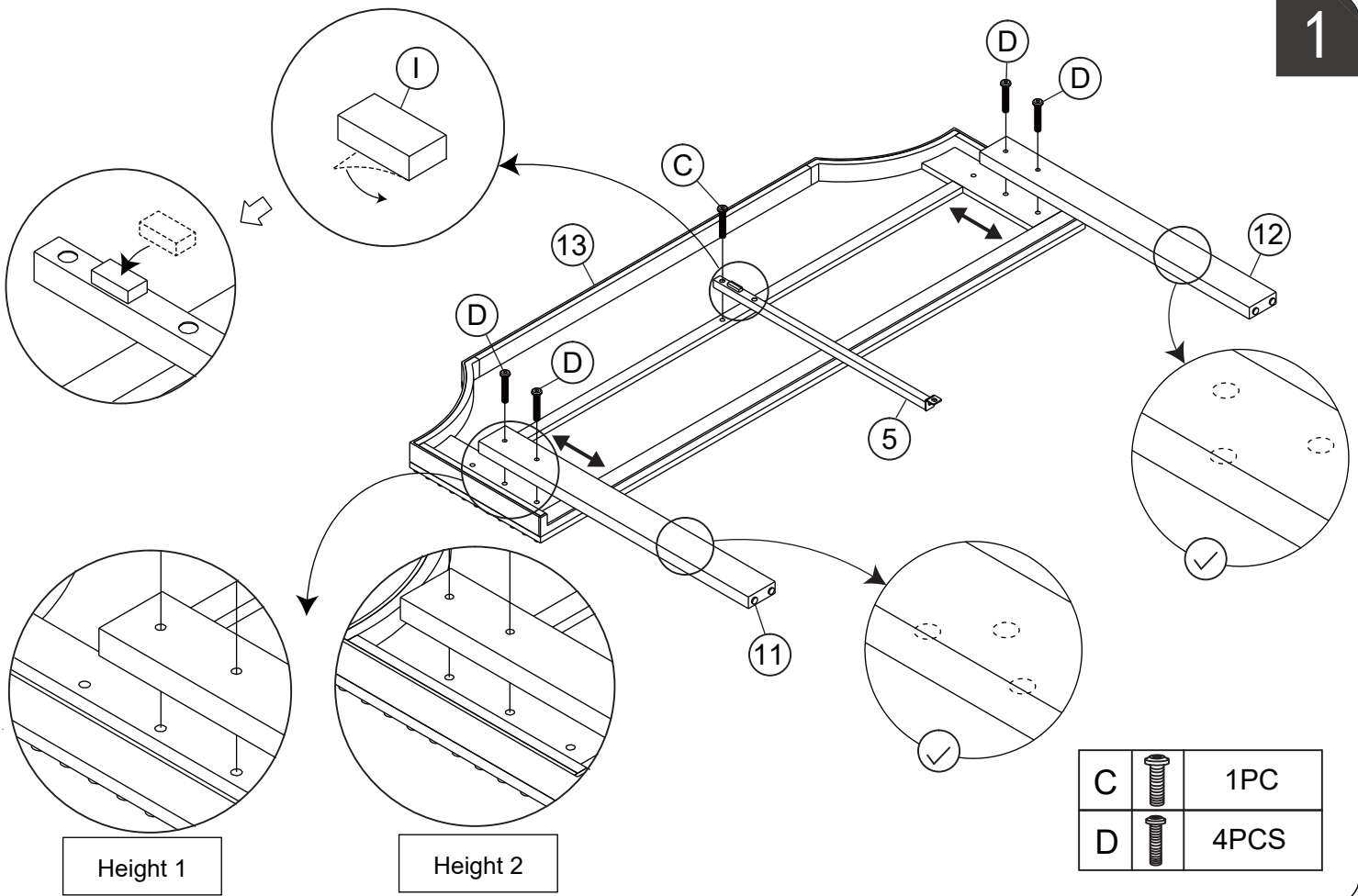
For easier and better assembly, **2** or more adults are required.



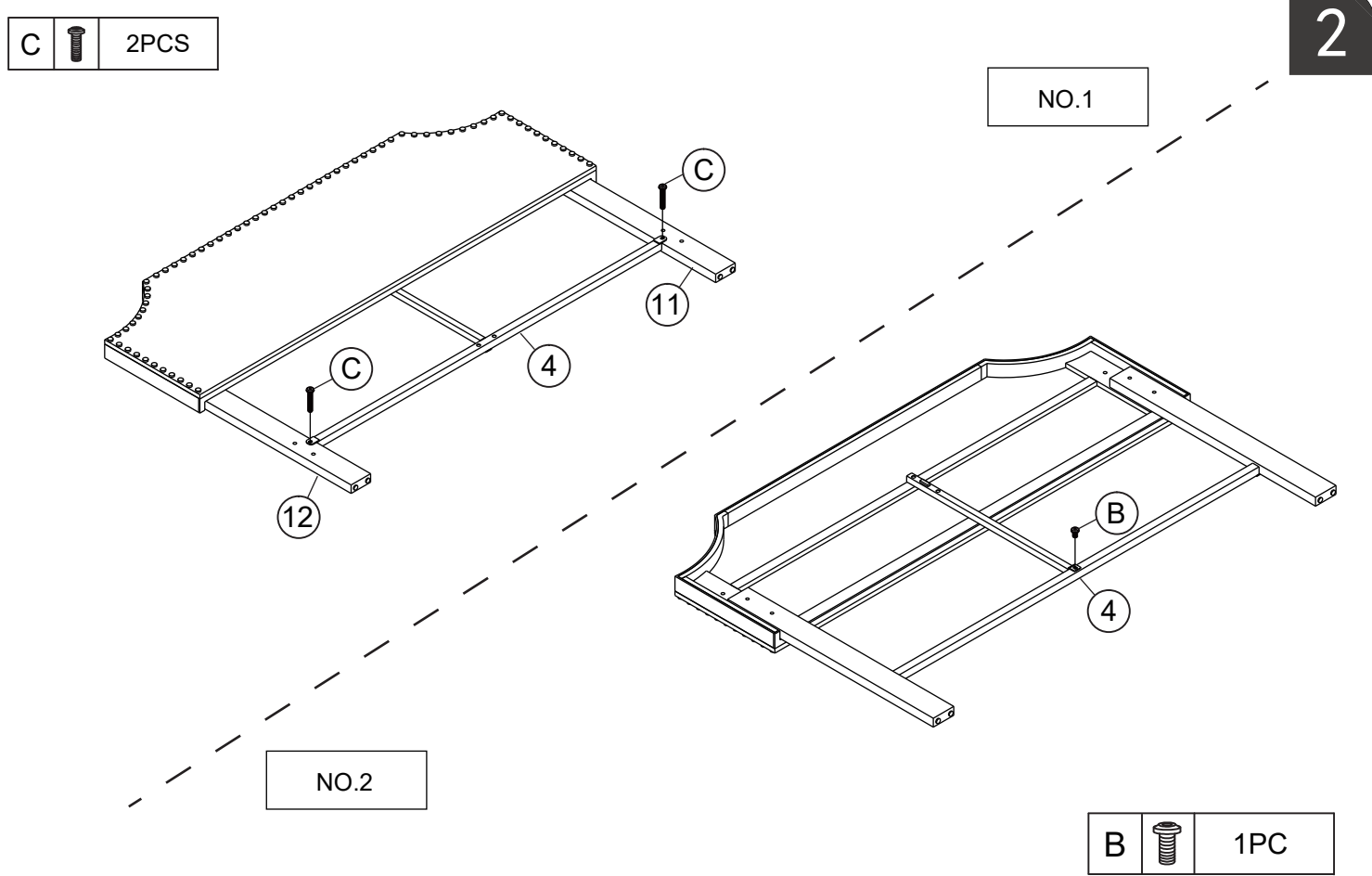
PARTS LIST(Drawer not included)

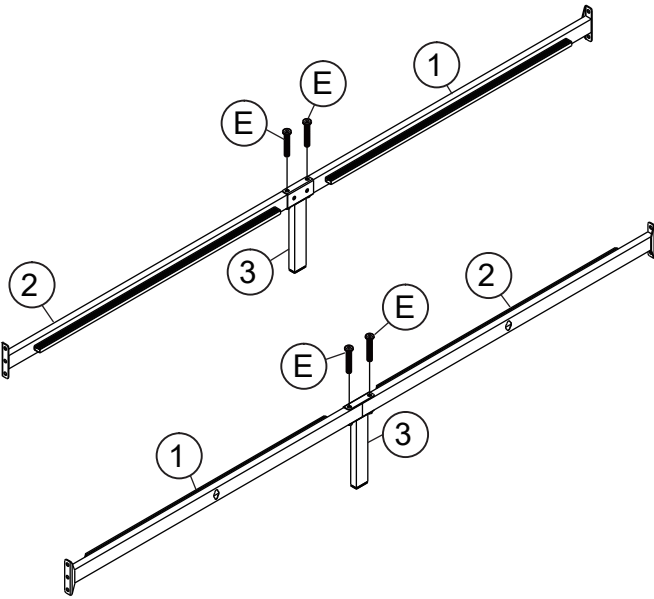
<p>1</p>  <p>2PCS</p>	<p>2</p>  <p>2PCS</p>	<p>3</p>  <p>2PCS</p>	
<p>4</p>  <p>1PC</p>	<p>5</p>  <p>1PC</p>	<p>6</p>  <p>2PCS</p>	
<p>7</p>  <p>1PC</p>	<p>8</p>  <p>2PCS</p>	<p>9</p>  <p>1PC</p>	
<p>10</p>  <p>2PCS</p>	<p>11</p>  <p>1PC</p>	<p>12</p>  <p>1PC</p>	
<p>13</p>  <p>1PC</p>	<p>14</p>  <p>1PC</p>	<p>20</p>  <p>2PCS</p>	
<p>B</p>  <p>M8*18</p> <p>13PCS</p>	<p>C</p>  <p>M8*35</p> <p>9PCS</p>	<p>D</p>  <p>M8*45</p> <p>7PCS</p>	<p>E</p>  <p>M8*55</p> <p>4PCS</p>
<p>F</p>  <p>ST4.2*50</p> <p>2PCS</p>	<p>H</p>  <p>M8</p> <p>1PC</p>	<p>I</p>  <p>1PC</p>	 <p>Cross screwdriver</p> <p>1PC</p>


1

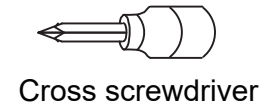
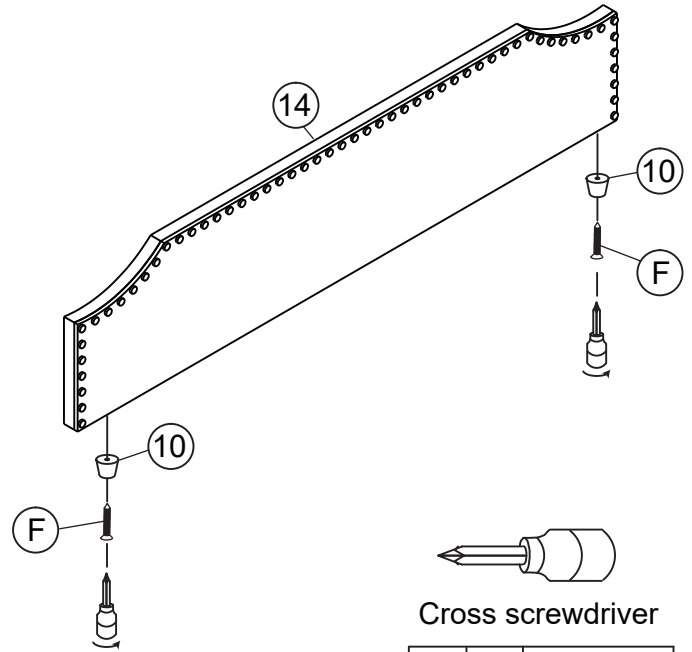



2

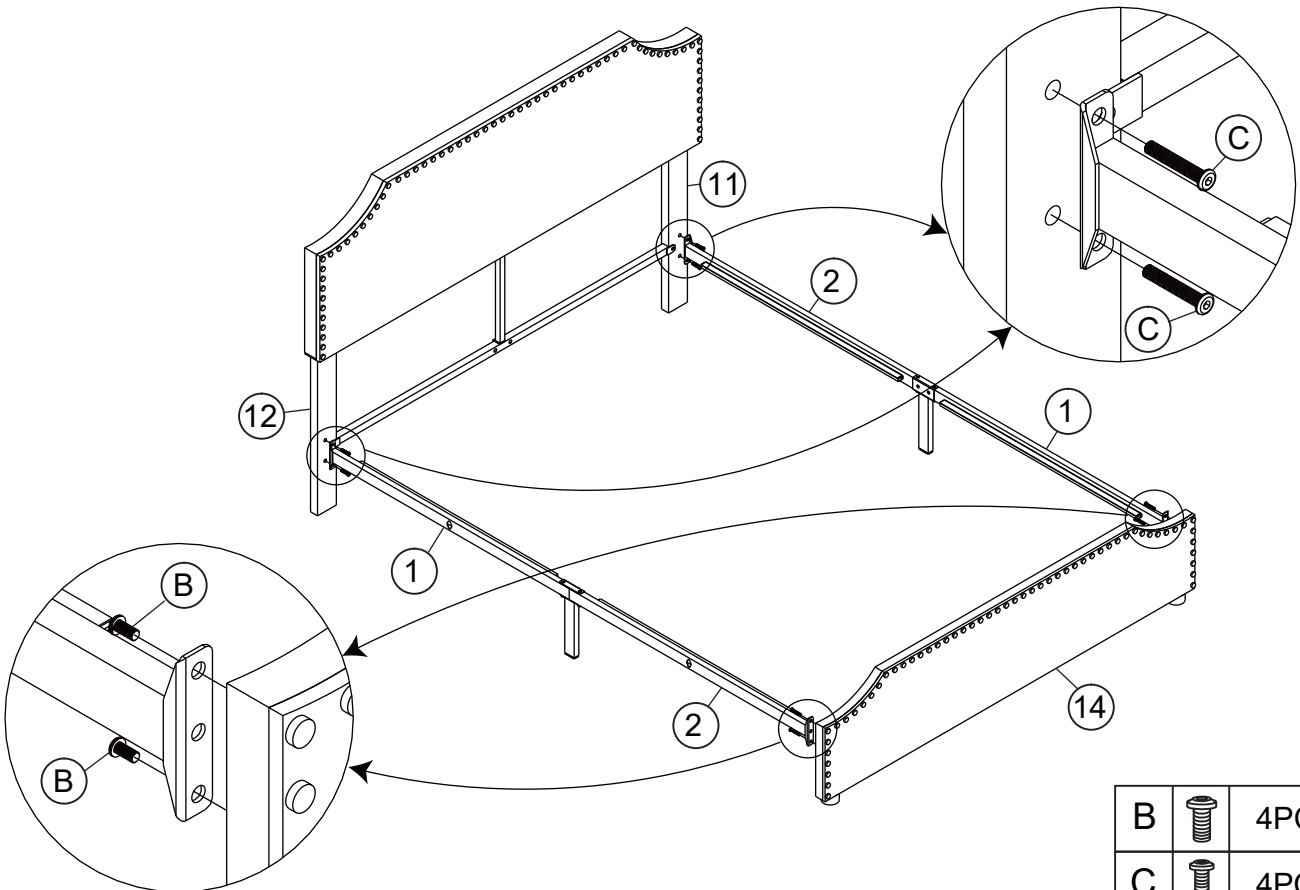




3


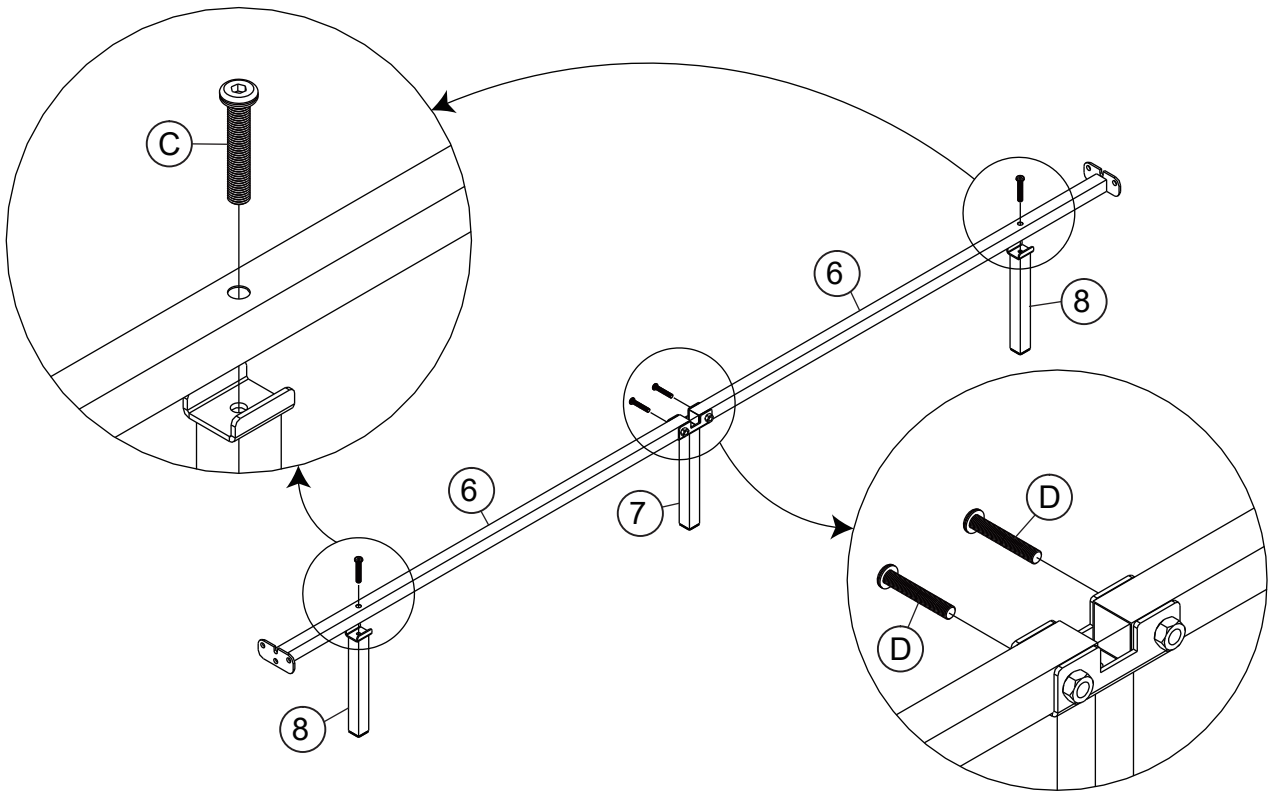
E		4PCS
---	---	------



4


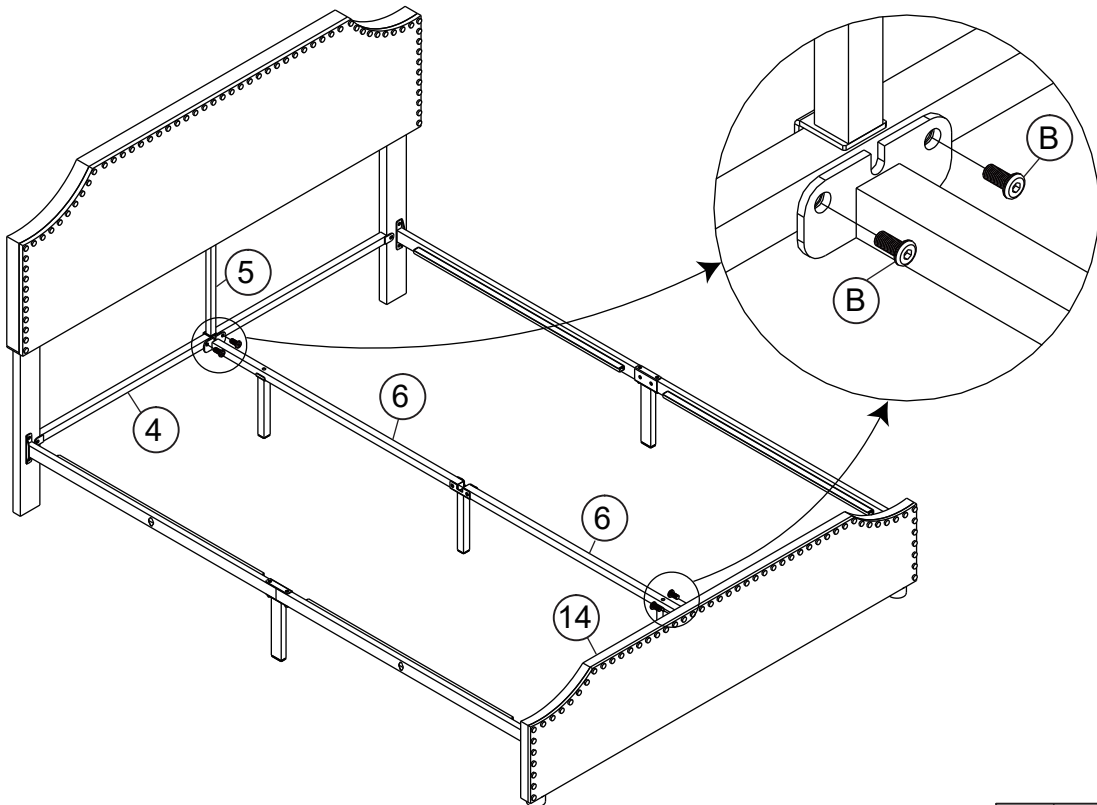
F		2PCS
---	---	------

5


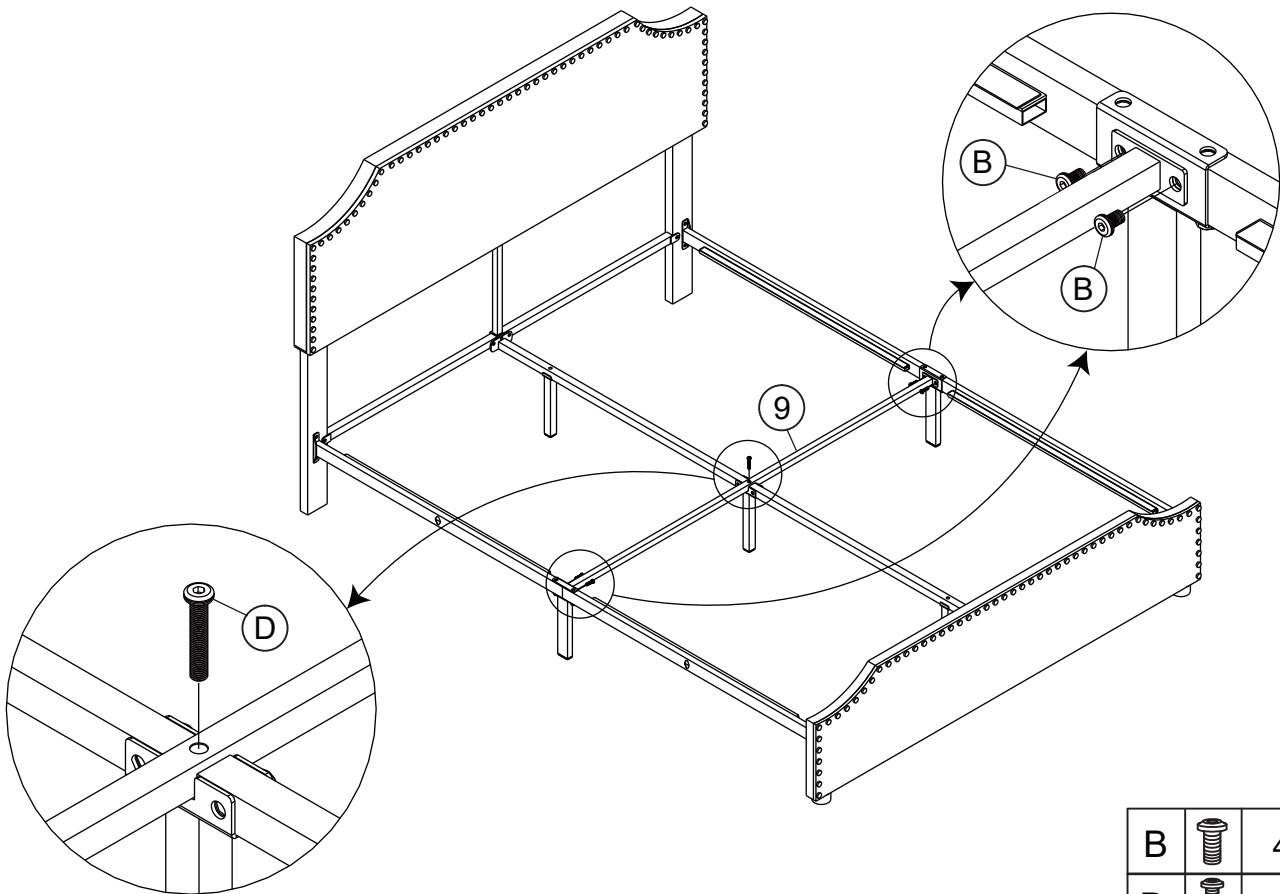
B		4PCS
C		4PCS



6


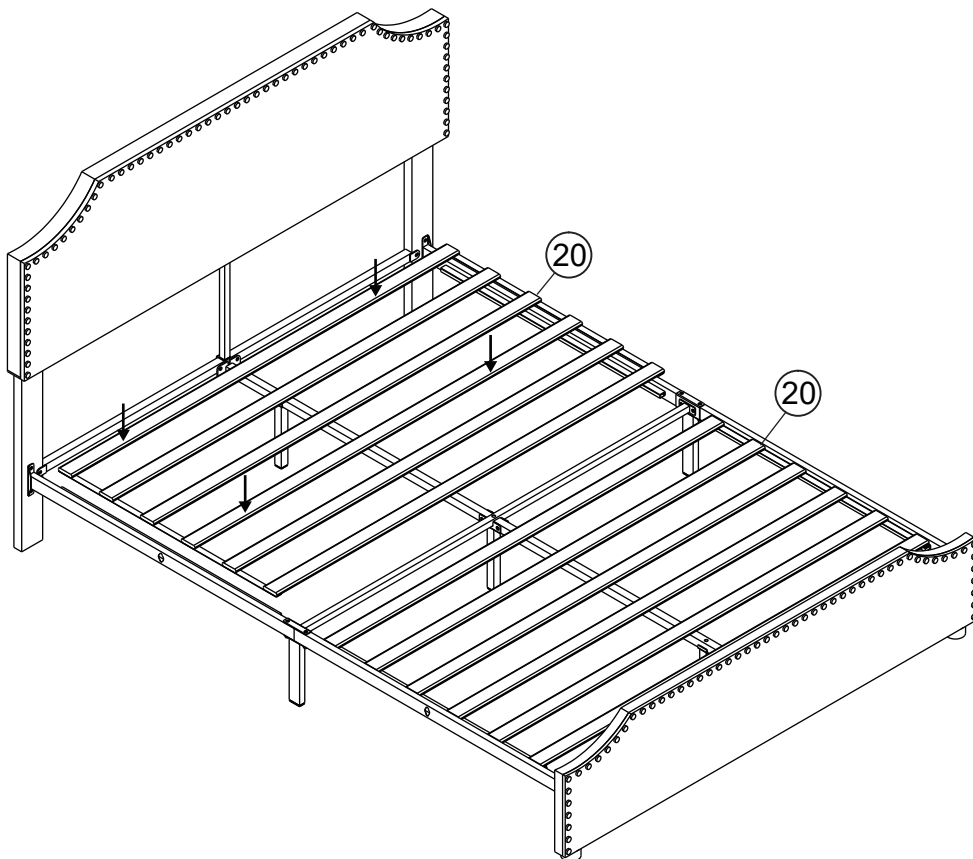
C		2PCS
D		2PCS

7


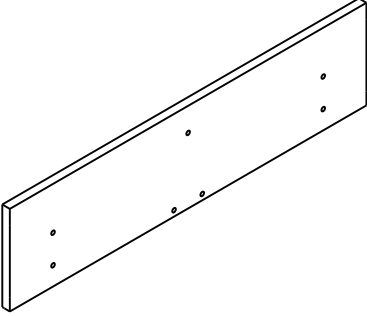
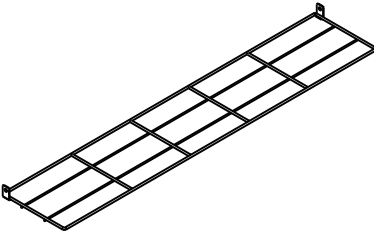
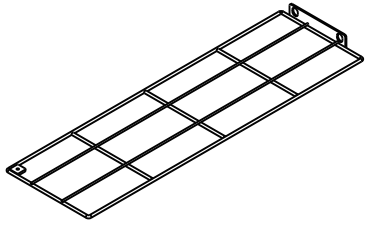
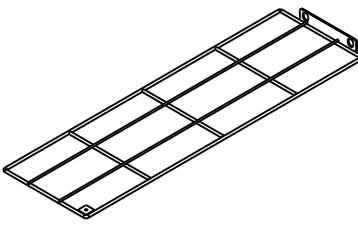
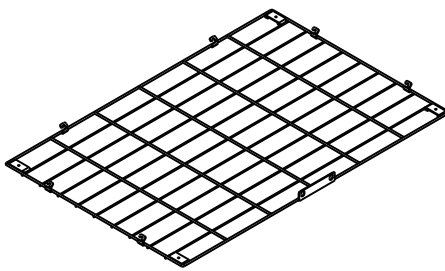

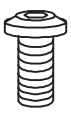
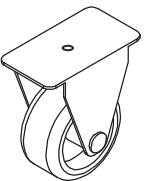


B		4PCS
---	---	------

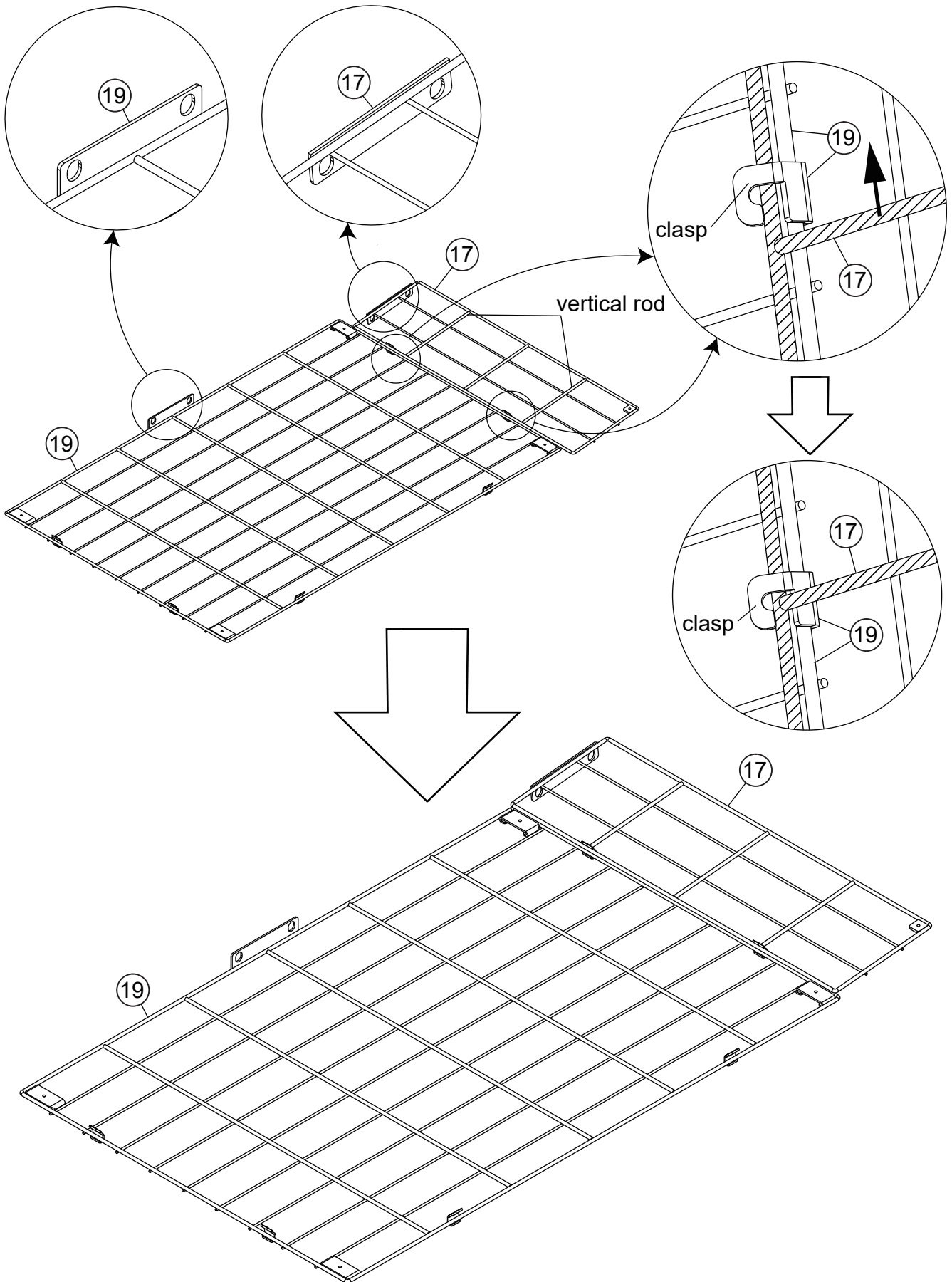
8


B		4PCS
D		1PC

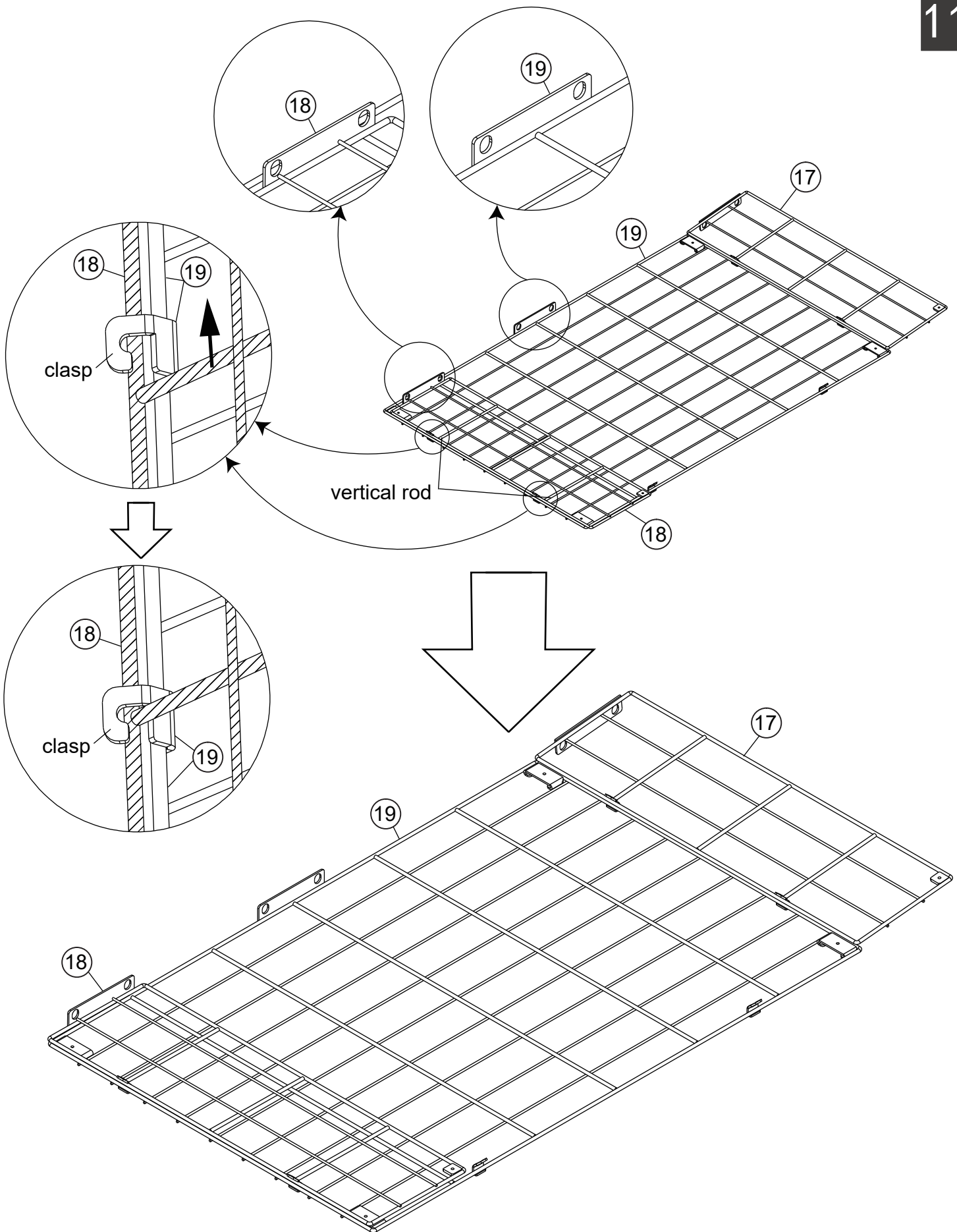
9


Drawer PARTS LIST

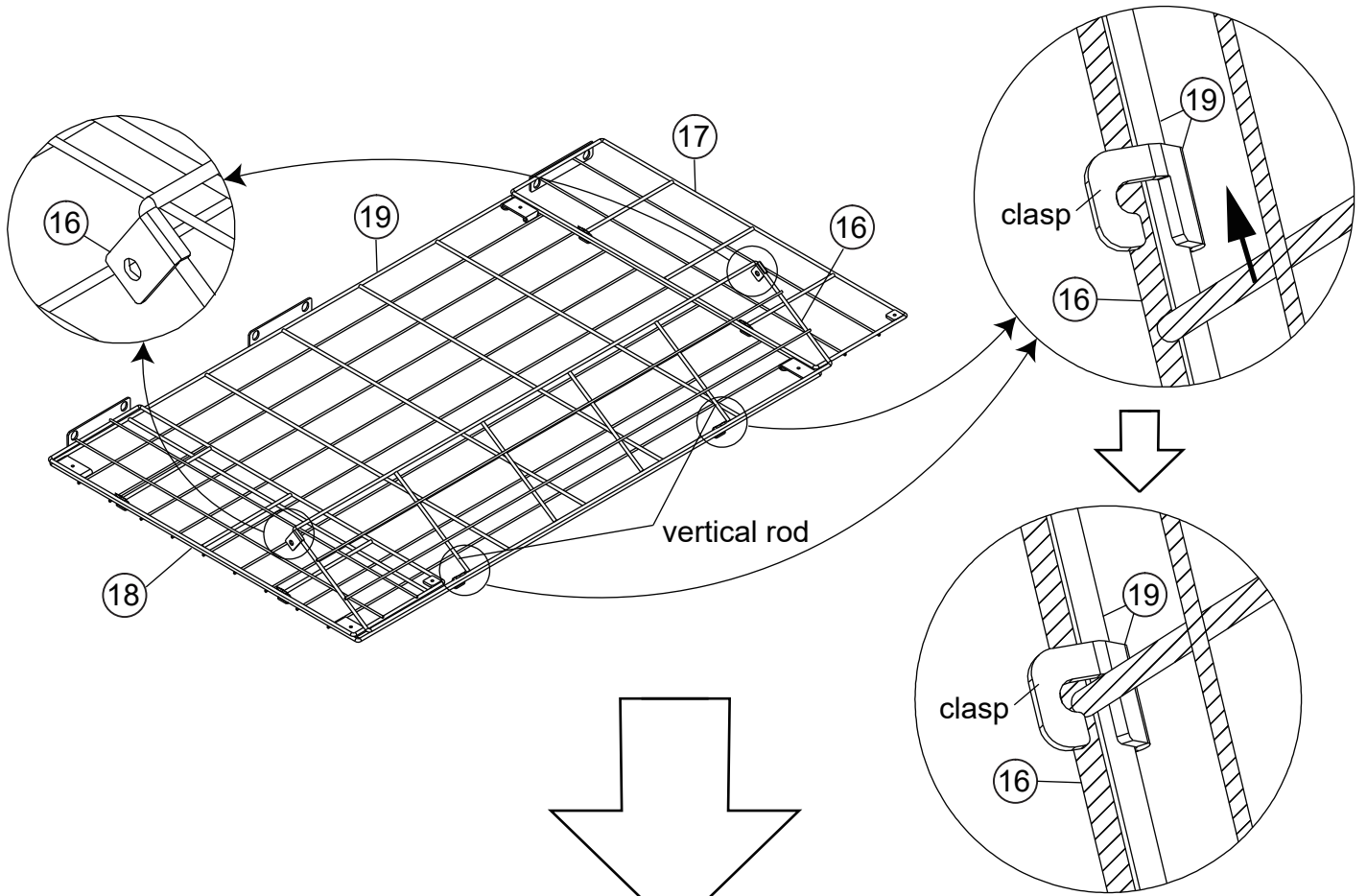
<p>15</p>  <p>4PCS</p>	<p>16</p>  <p>4PCS</p>
<p>17</p>  <p>4PCS</p>	<p>18</p>  <p>4PCS</p>
<p>19</p>  <p>4PCS</p>	<p>A</p>  <p>M4*6</p> <p>24PCS</p>
<p>B</p>  <p>M8*18</p> <p>28PCS</p>	 <p>16PCS</p>
<p>G</p>  <p>M4</p> <p>1PC</p>	<p>H</p>  <p>M8</p> <p>1PC</p>



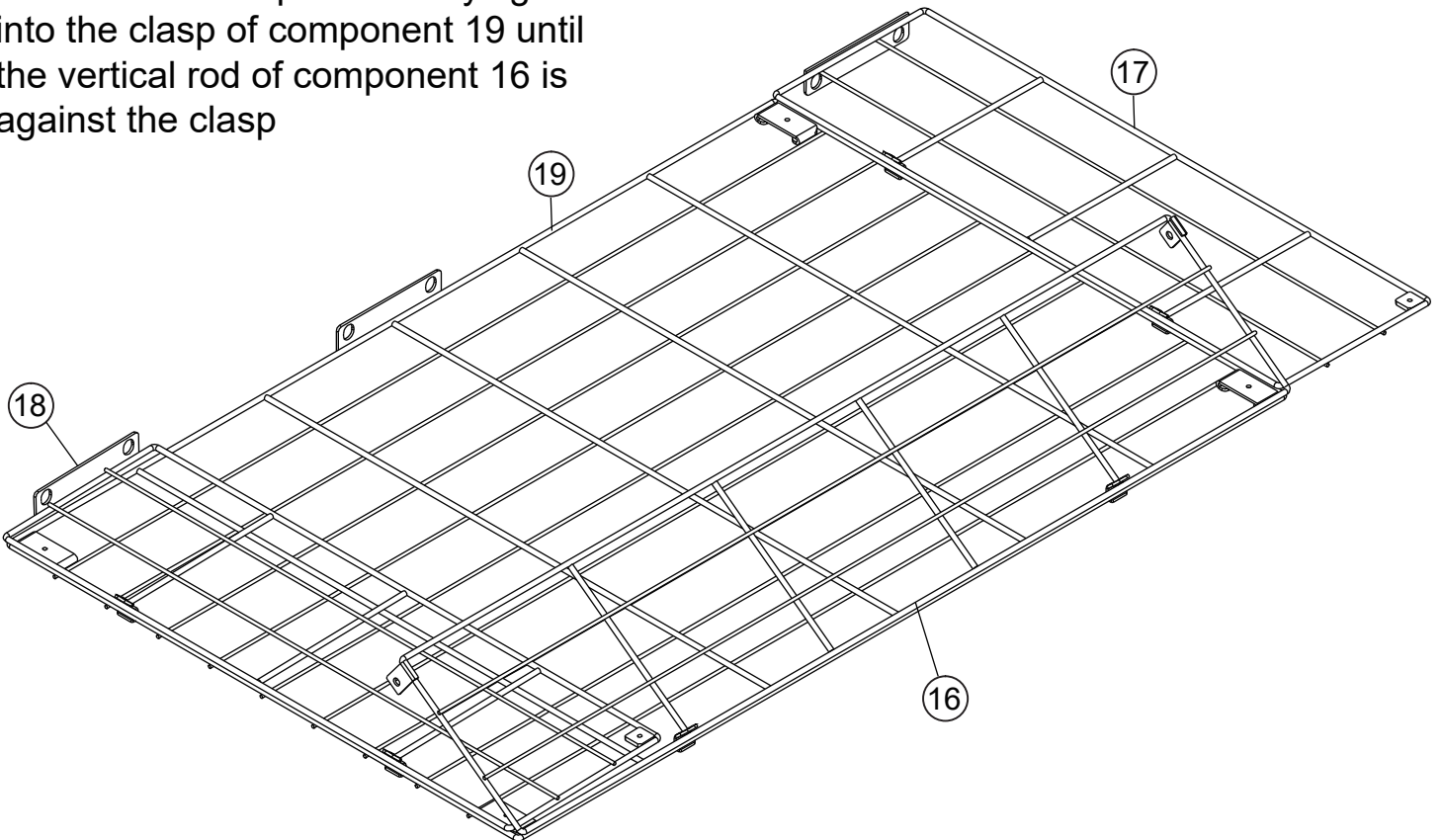
NOTE: Push component 17 lying flat into the clasp of component 19 until the vertical rod of component 17 is against the clasp

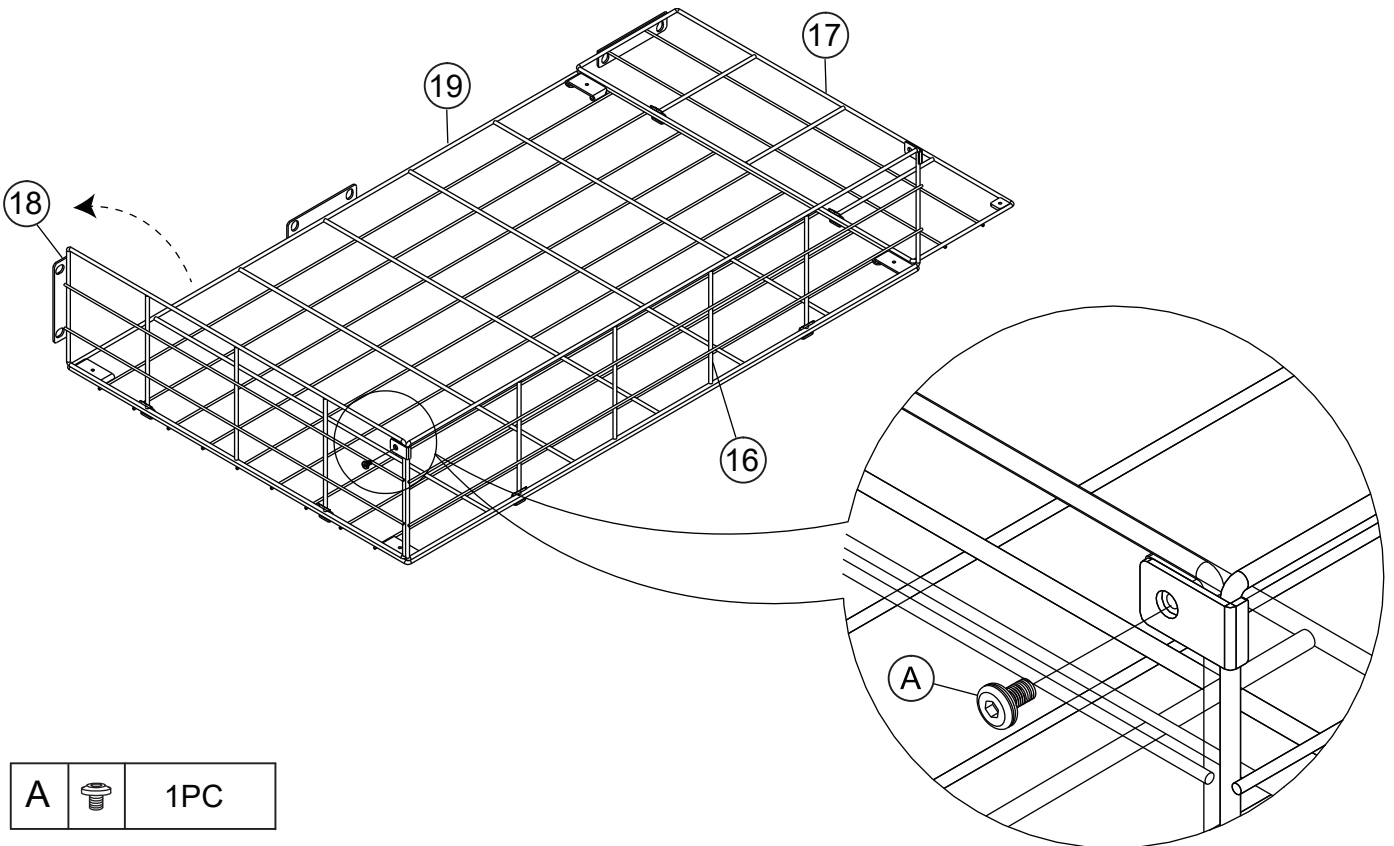
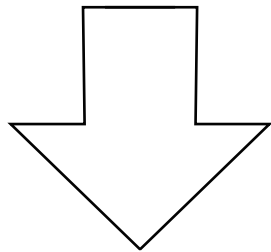
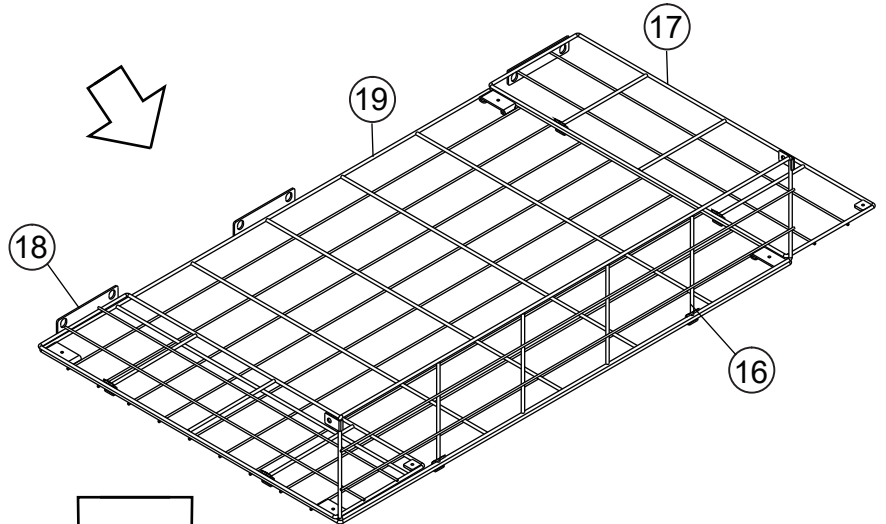
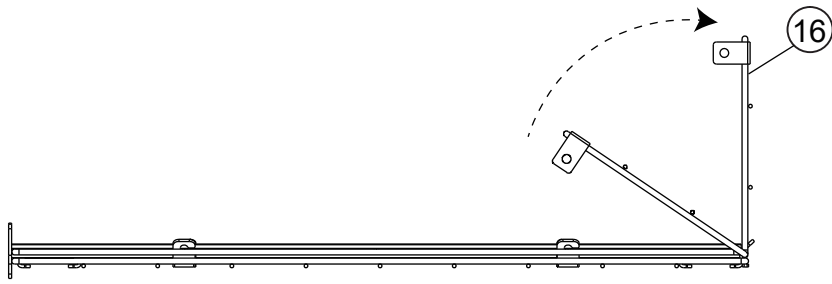



NOTE: Push component 18 lying flat into the clasp of component 19 until the vertical rod of component 18 is against the clasp



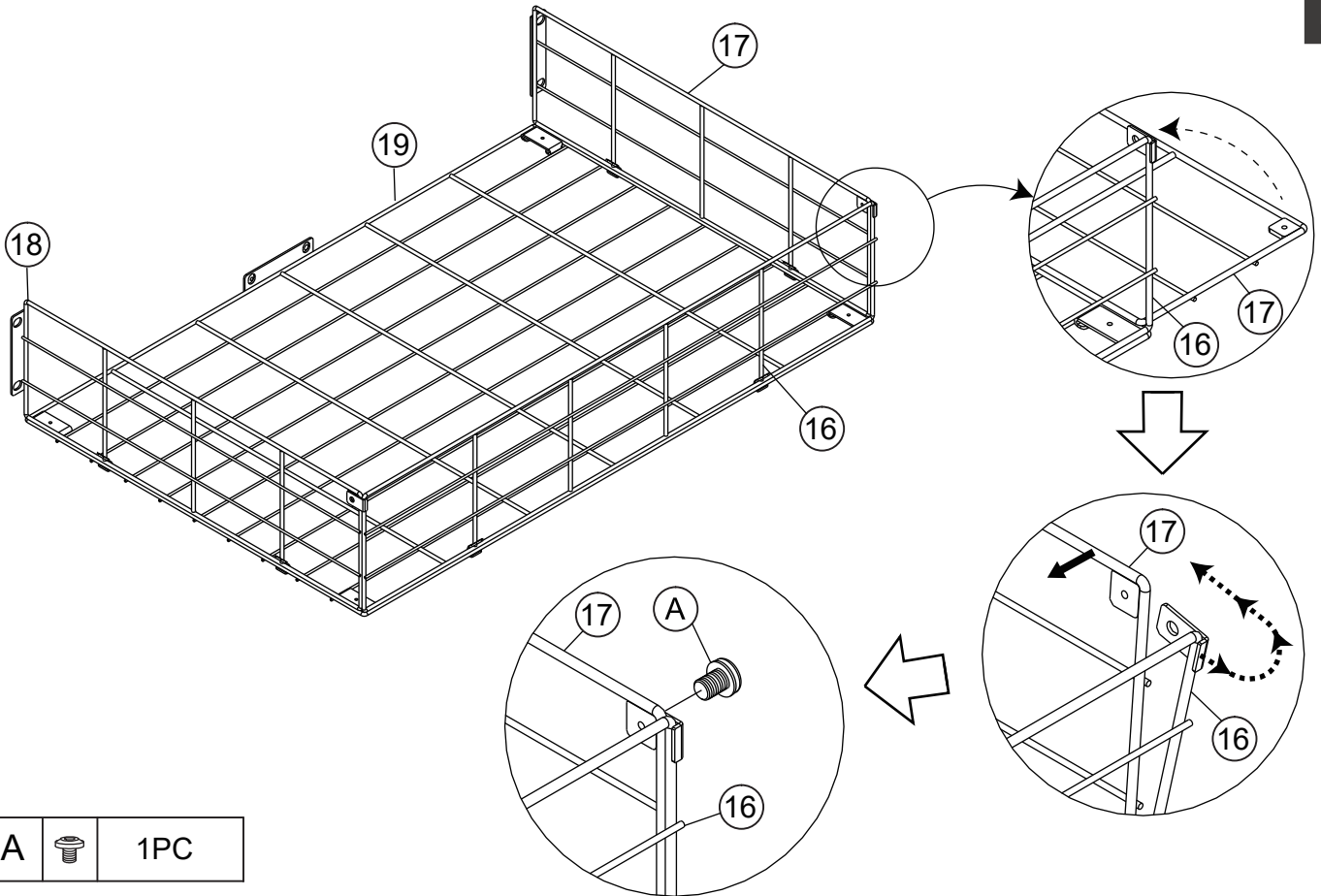
NOTE: Push component 16 lying flat into the clasp of component 19 until the vertical rod of component 16 is against the clasp





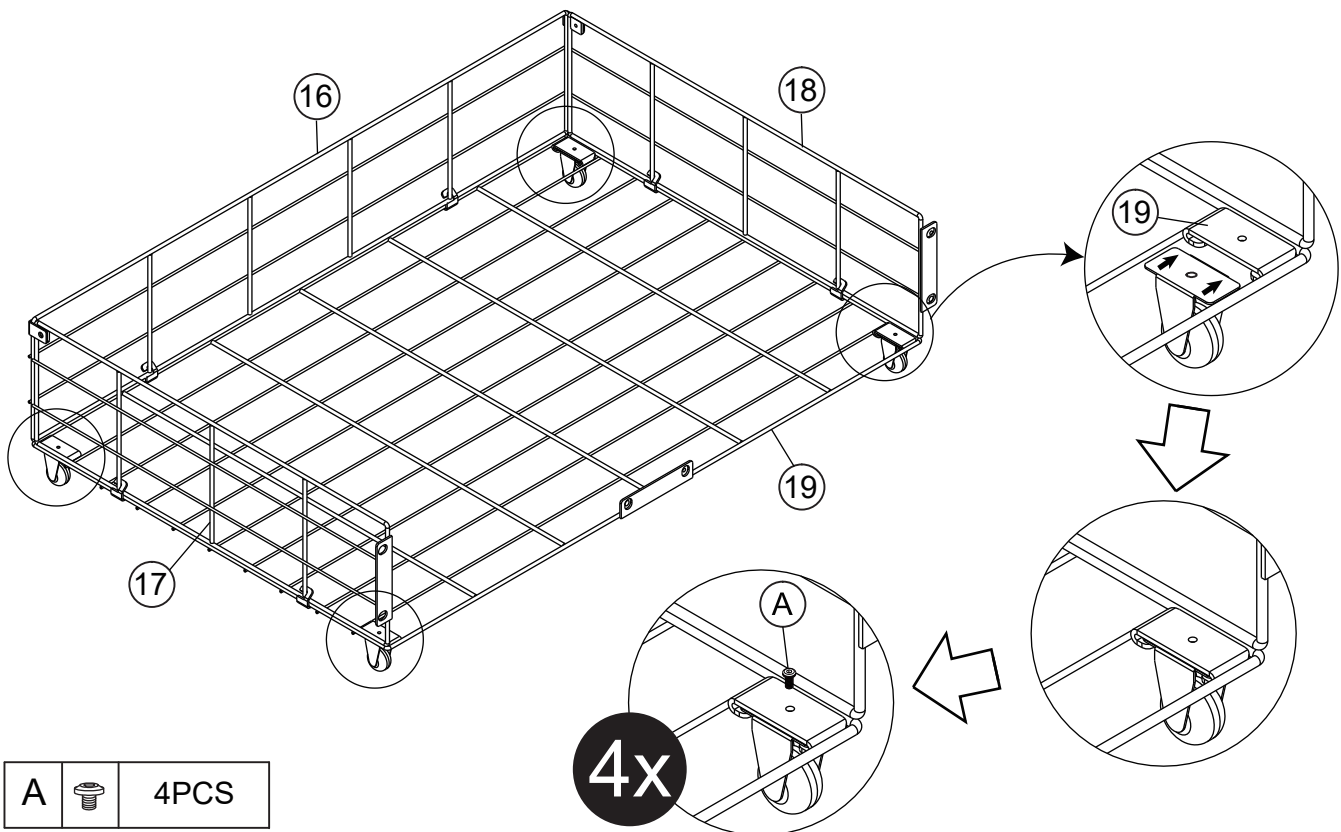
A		1PC
---	---	-----

14

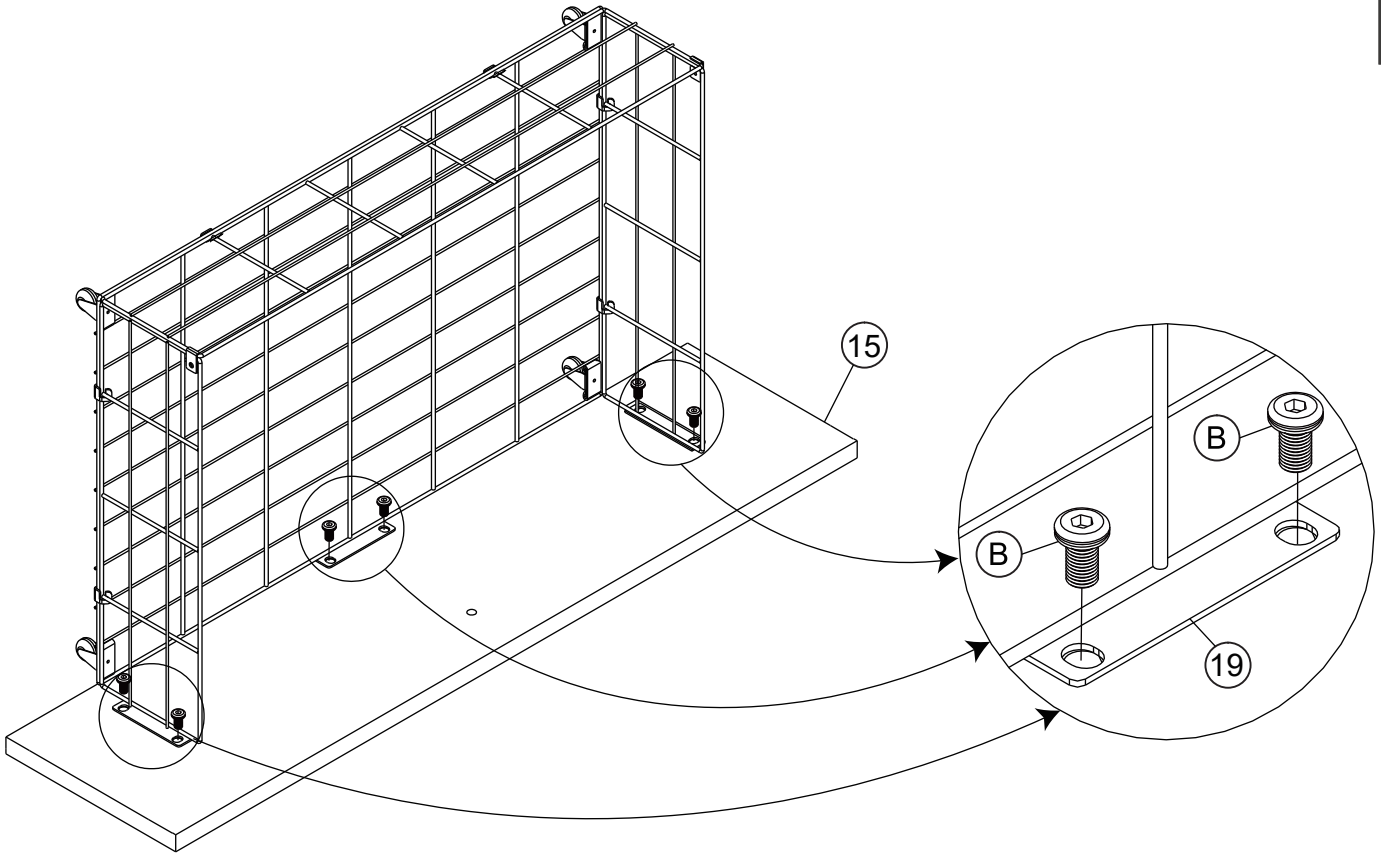



A pulley iron plate clamping groove is arranged at the bottom of the drawer iron mesh, which is installed and locked as shown in the figure

15

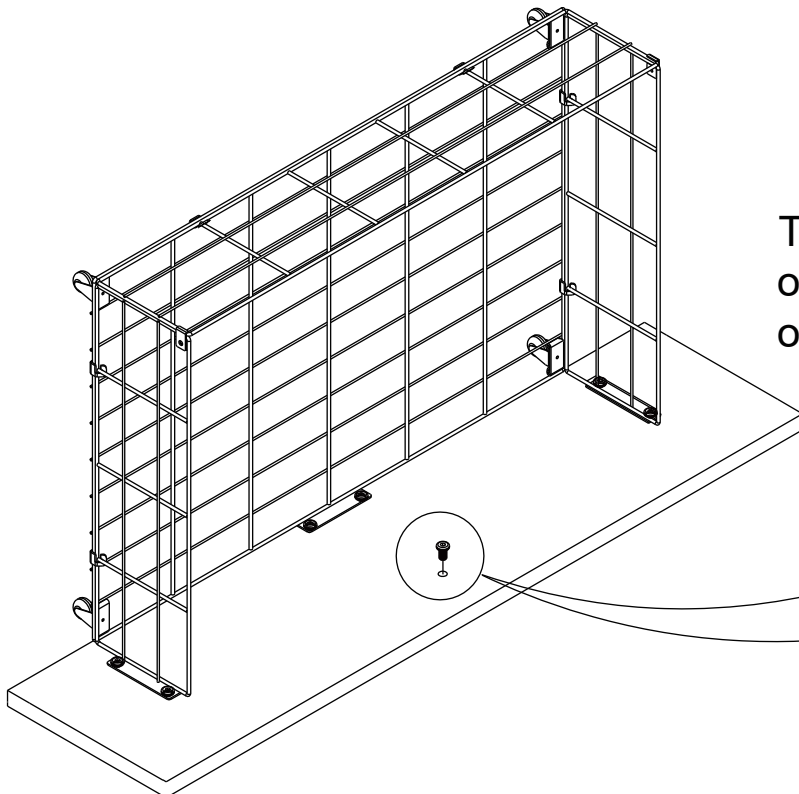


16




B  **6PCS**

17

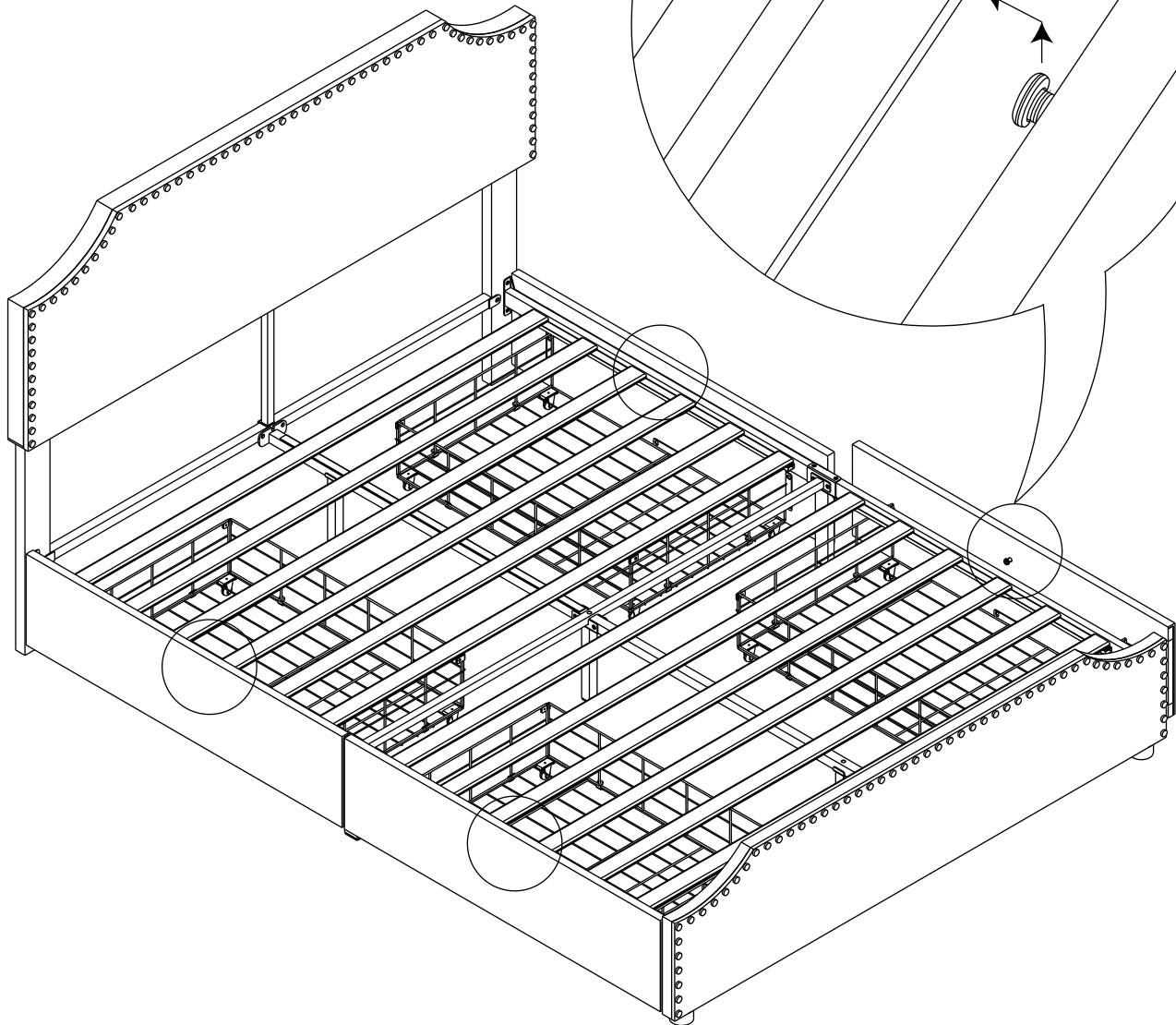
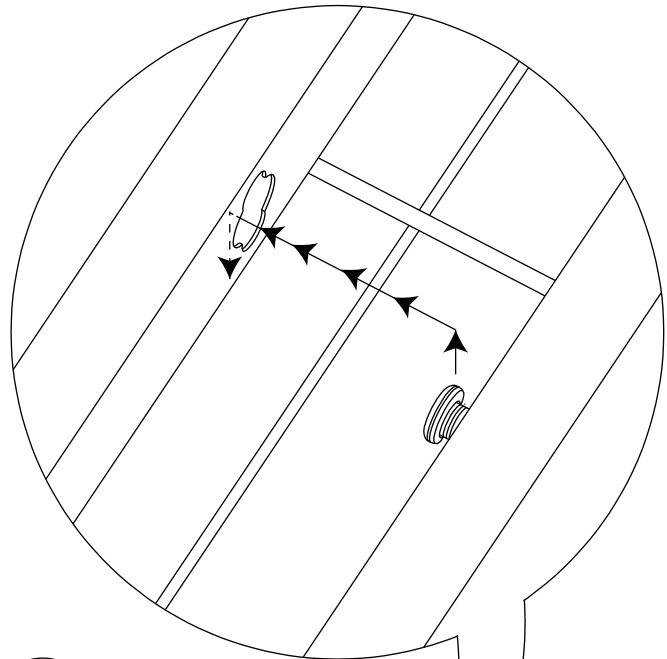


This screw must be turned out slightly, leaving a distance of 2-3mm

B  **1PC**

NOTE:A bed frame will require 4 drawers. Repeat steps 10-17 until installation is complete

Gently lift the drawer, align the screw with the gourd hole, and then snap it in



Installation Complete