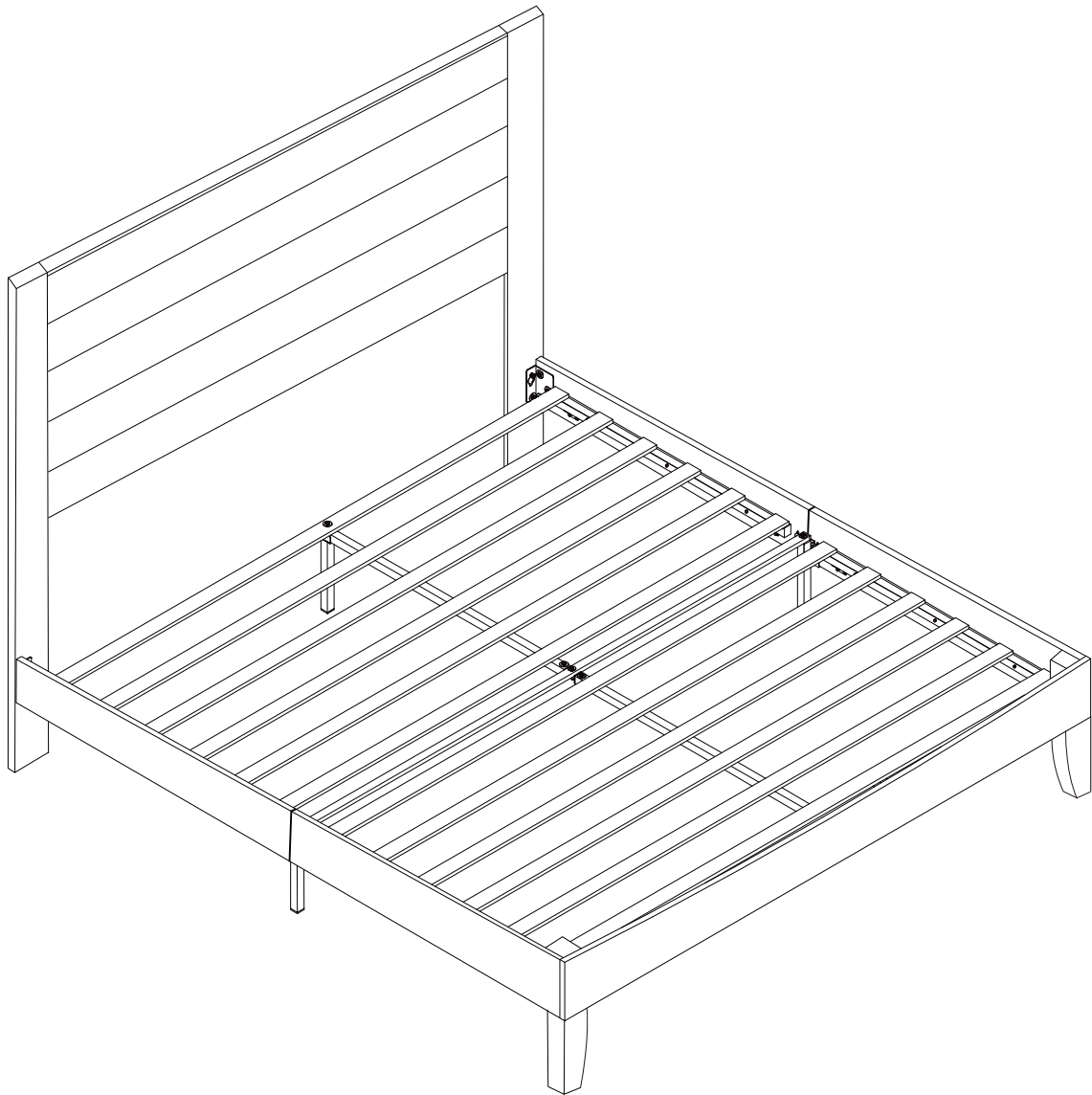


Wood Platform Bed (BS007-F)

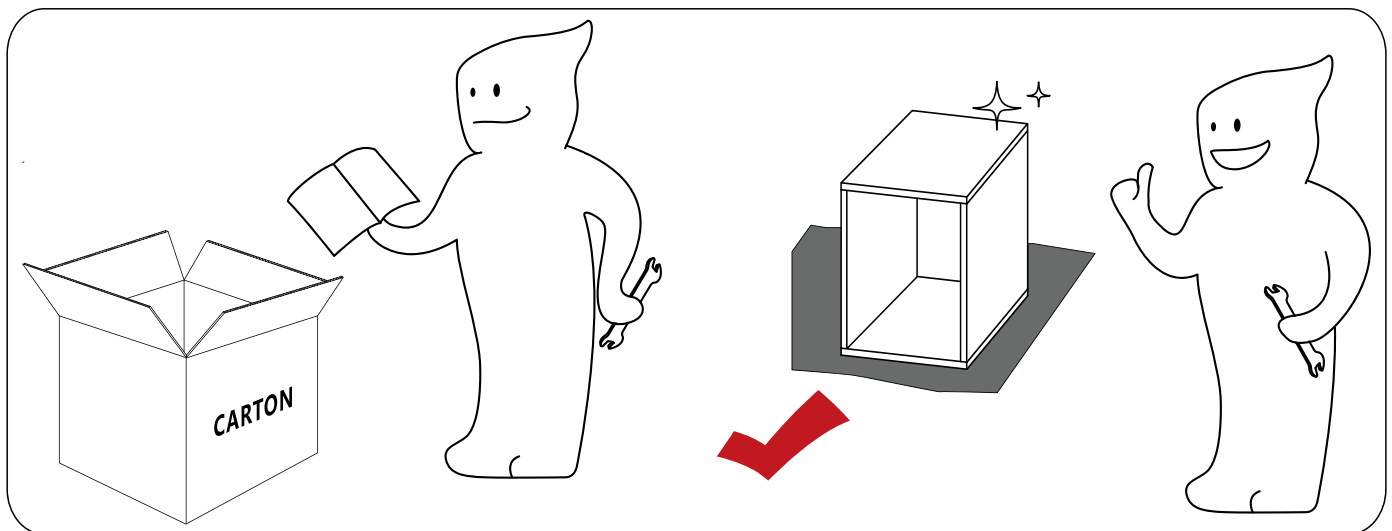
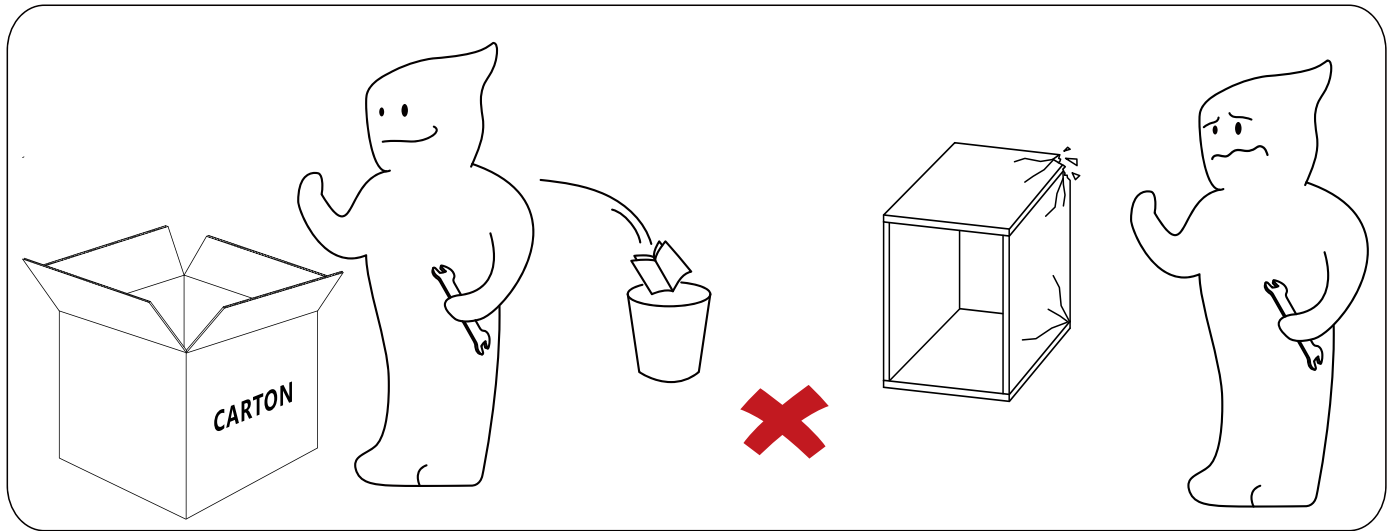


Dear Customers,

Thank you for purchasing our product. Please read this instruction manual carefully after receiving this product. It will help you assemble this product quickly, safely and correctly. You can keep this manual for future reference.

! IMPORTANT

Please follow the instruction manuals and use a pad to protect the product during your assembly.



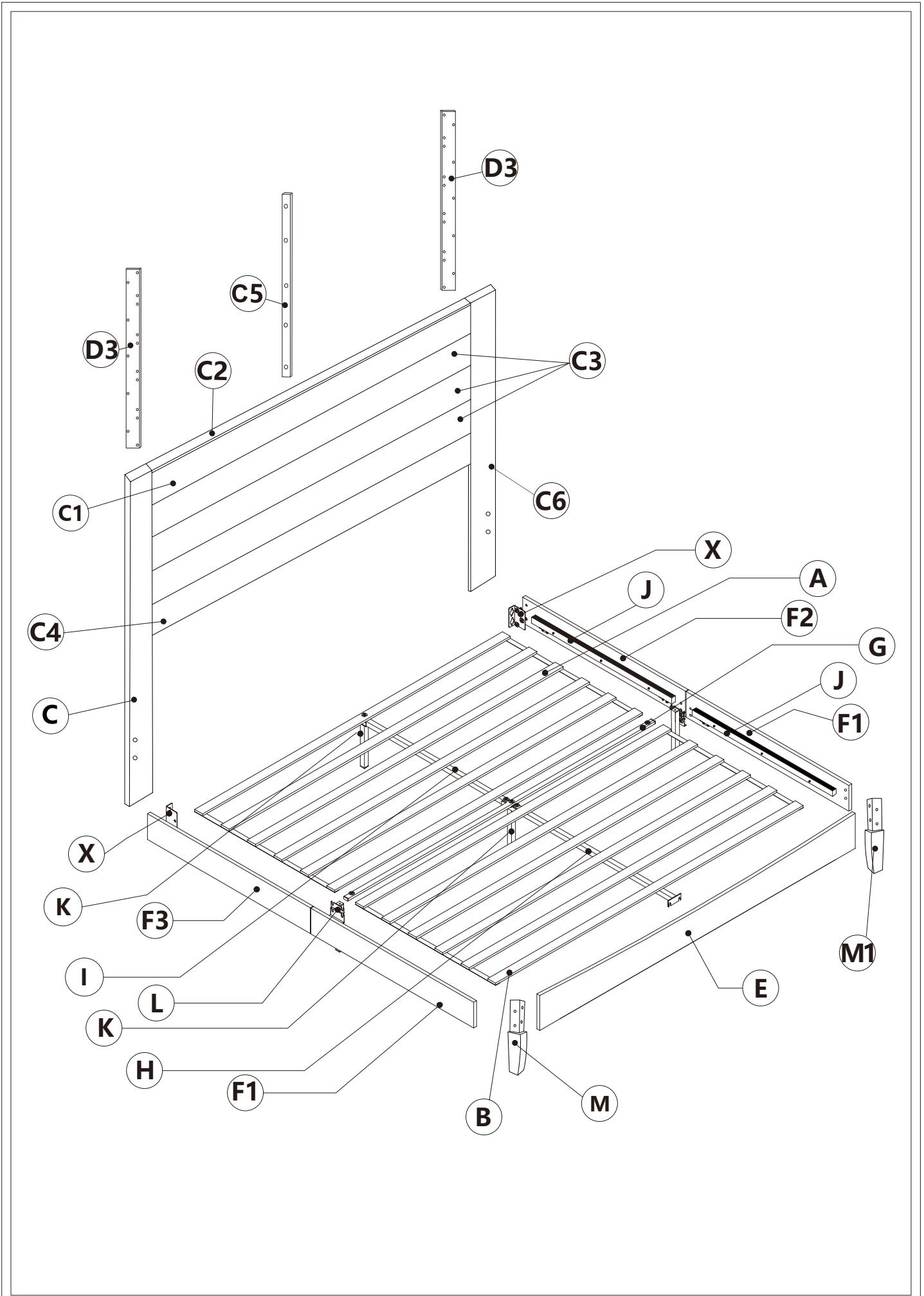
Note:

1. Should be assembled on flat ground to keep balance.
2. Before completing the installation, do not tighten the screws.

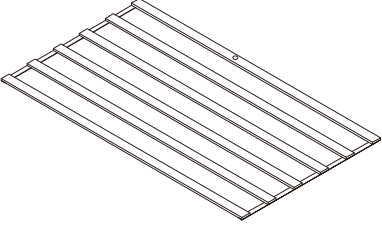
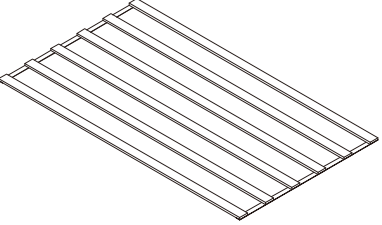
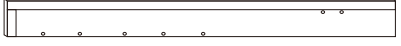
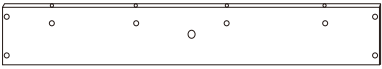


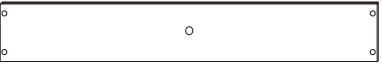


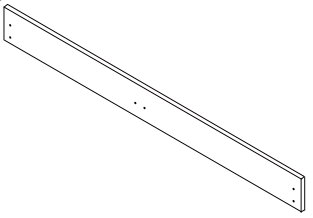
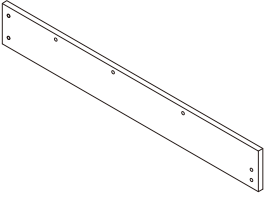
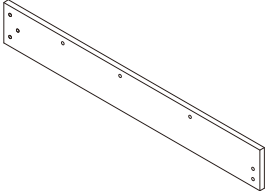
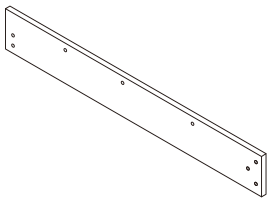




For easier and better assembly, **2** or more adults are required.

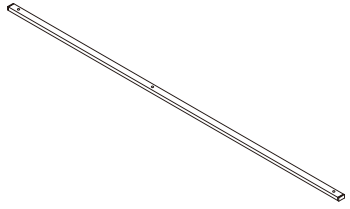
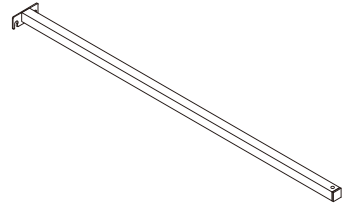
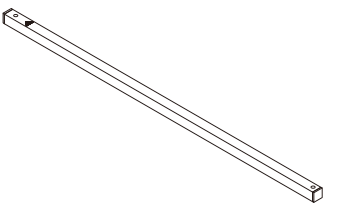

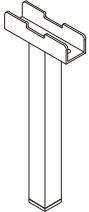
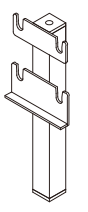


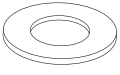
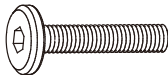

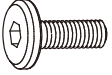
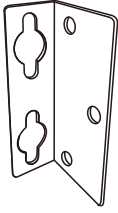
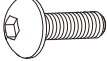
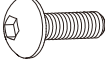
ASSEMBLY INSTRUCTIONS



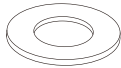

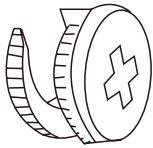

ASSEMBLY INSTRUCTIONS

<p>(A)</p>  <p>1pc</p>	<p>(B)</p>  <p>1pc</p>	<p>(C)</p>  <p>1pc</p>
<p>(C1)</p>  <p>1pc</p>	<p>(C2)</p>  <p>1pc</p>	<p>(C3)</p>  <p>3pcs</p>
<p>(C4)</p>  <p>1pc</p>	<p>(C5)</p>  <p>1pc</p>	<p>(C6)</p>  <p>1pc</p>
<p>(E)</p>  <p>1pc</p>	<p>(F1)</p>  <p>2pcs</p>	<p>(F2)</p>  <p>1pc</p>
<p>(F3)</p>  <p>1pc</p>	<p>(M)</p>  <p>1pc</p>	<p>(M1)</p>  <p>1pc</p>

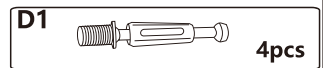
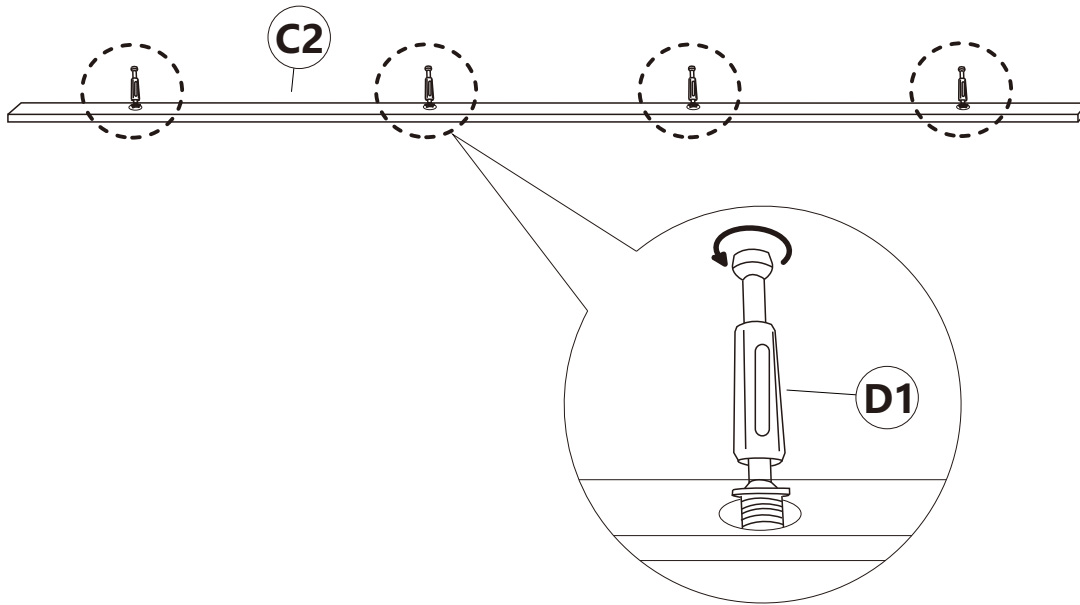
ASSEMBLY INSTRUCTIONS

<p>(G)</p>  <p>1pc</p>	<p>(H)</p>  <p>1pc</p>	<p>(I)</p>  <p>1pc</p>
<p>(J)</p>  <p>4pcs</p>	<p>(K)</p>  <p>2pcs</p>	<p>(L)</p>  <p>2pcs</p>
<p>(N)</p>  <p>M6</p> <p>1pc</p>	<p>(P)</p>  <p>M8x35 mm</p> <p>5pcs</p>	<p>(Q)</p>  <p>ϕ 8x18x1.5 mm</p> <p>46pcs+1pc</p>
<p>(R)</p>  <p>M8x30 mm</p> <p>12pcs</p>	<p>(S)</p>  <p>M8x55 mm</p> <p>9pcs</p>	<p>(W)</p>  <p>M8x14 mm</p> <p>20pcs+1pc</p>
<p>(X)</p>  <p>100x2 mm</p> <p>2pcs</p>	<p>(T)</p>  <p>M6x14 mm</p> <p>30pcs+1pc</p>	<p>(U)</p>  <p>M6x20 mm</p> <p>5pcs</p>

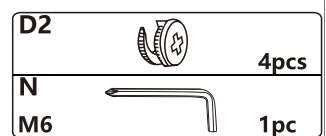
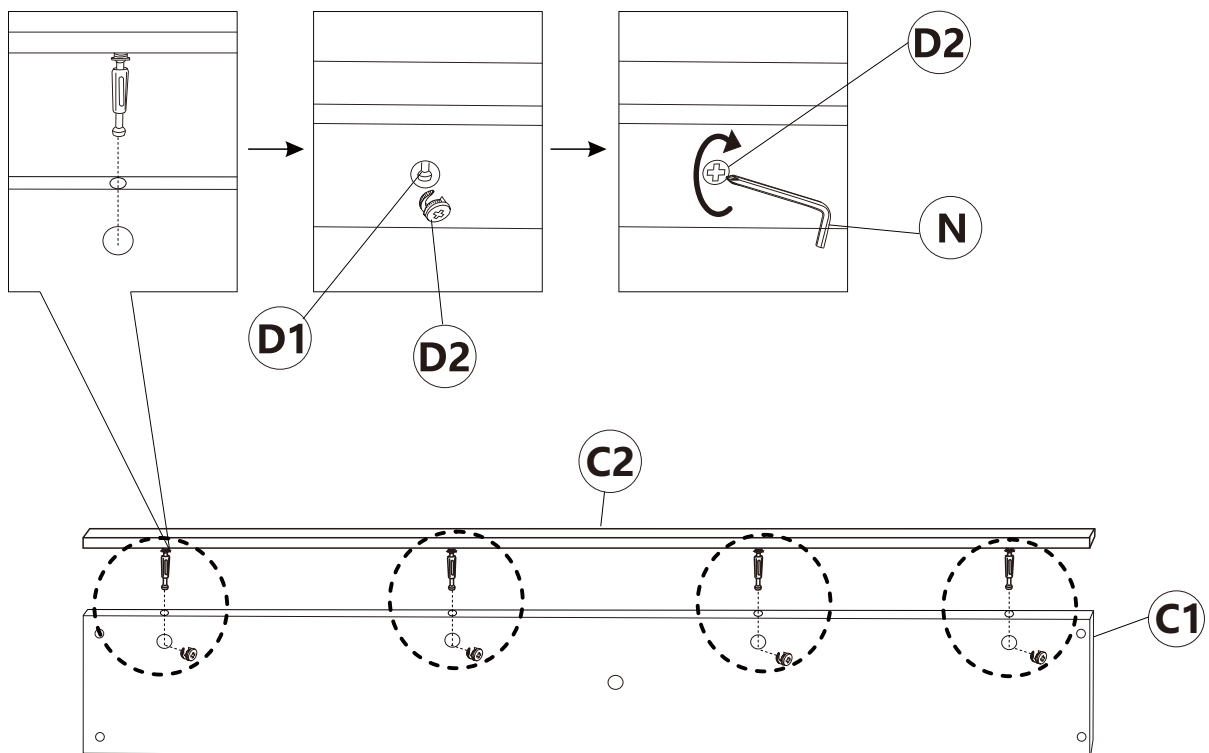
ASSEMBLY INSTRUCTIONS

<p>Z</p>  <p>M6</p> <p>35pcs+1pc</p>	<p>D1</p>  <p>4pcs</p>	<p>D2</p>  <p>4pcs</p>
<p>D3</p>  <p>640x2 mm</p> <p>2pcs</p>		

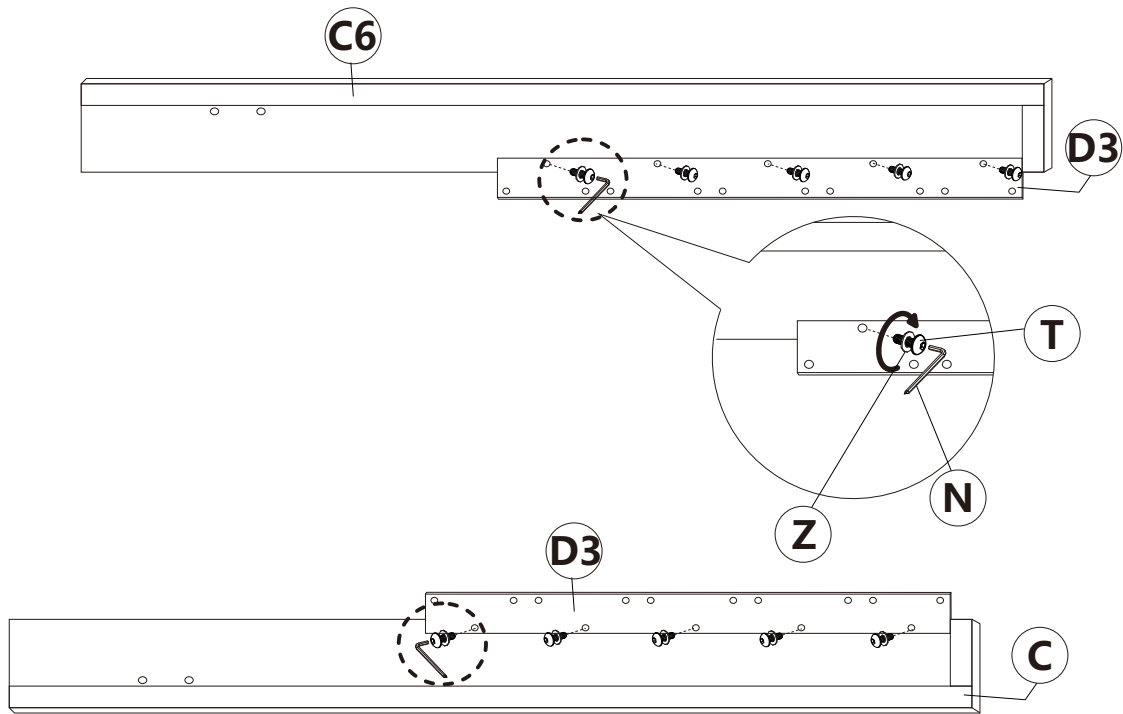
1

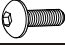




2

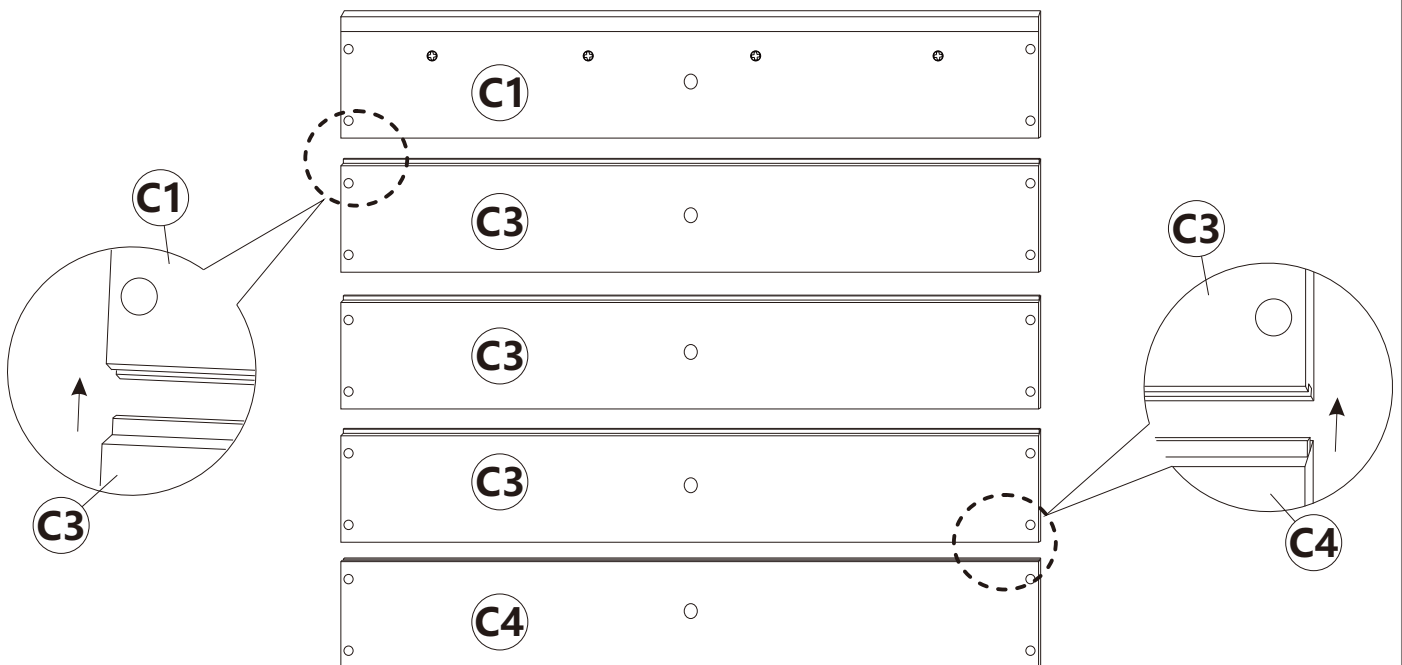


3



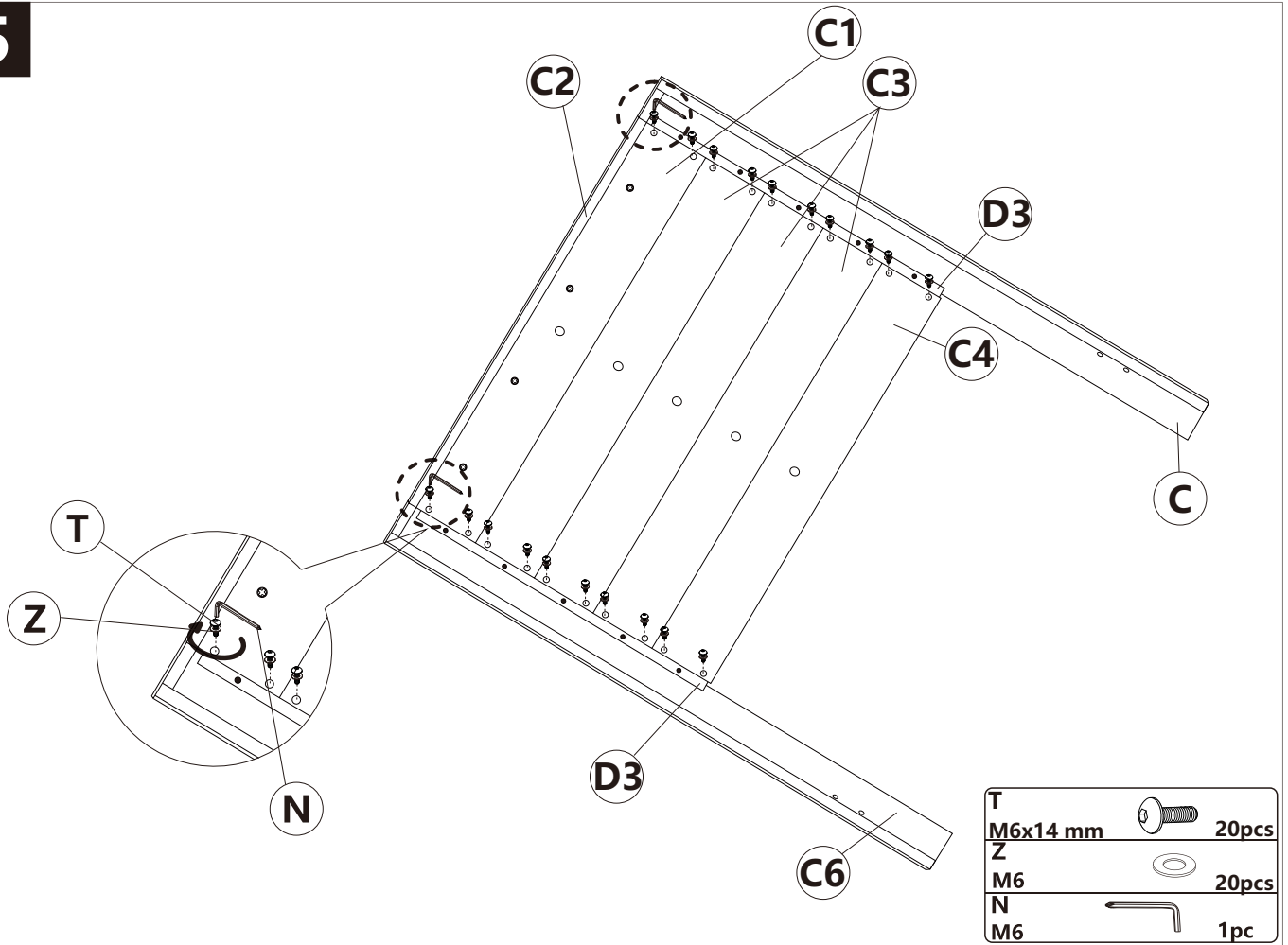
T		10pcs
M6x14 mm		
Z		10pcs
M6		
N		1pc
M6		

4

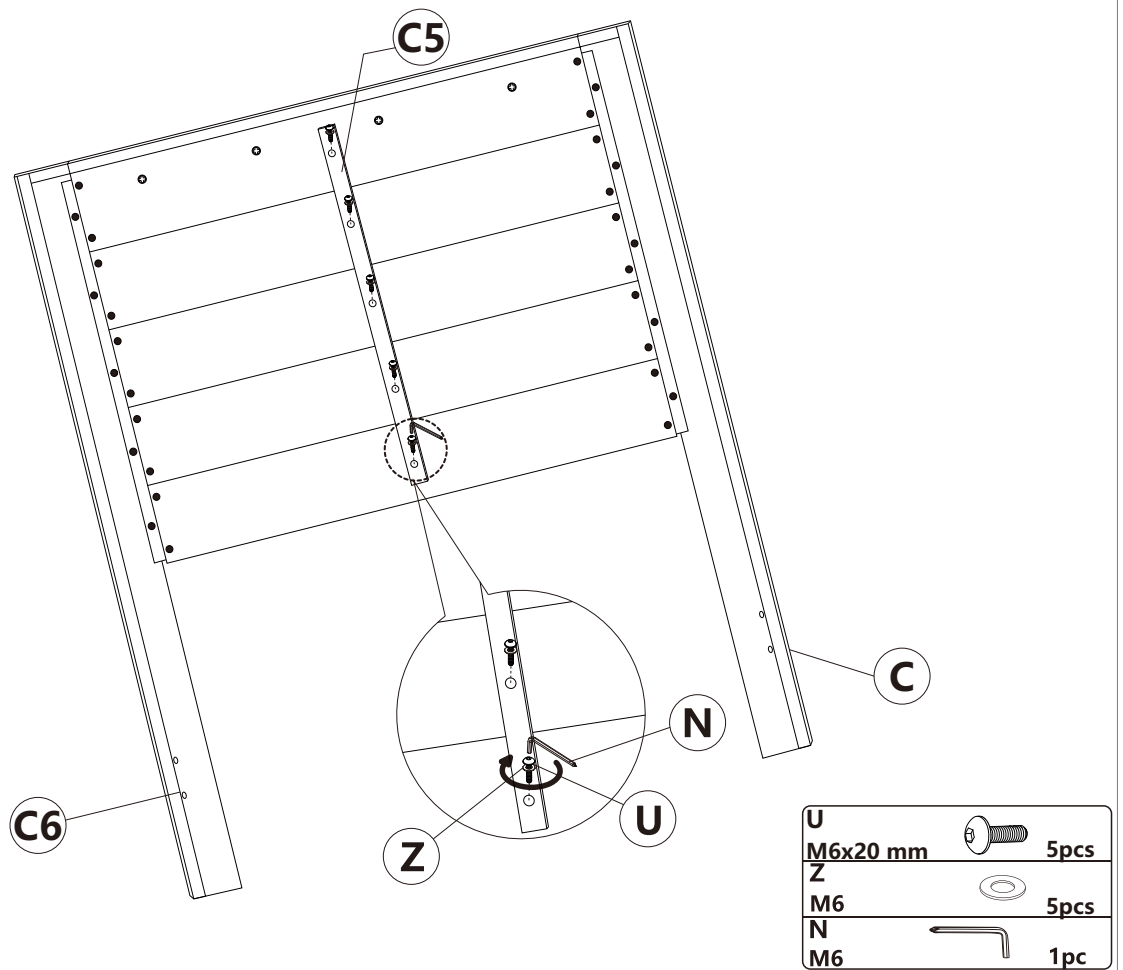


ASSEMBLY INSTRUCTIONS

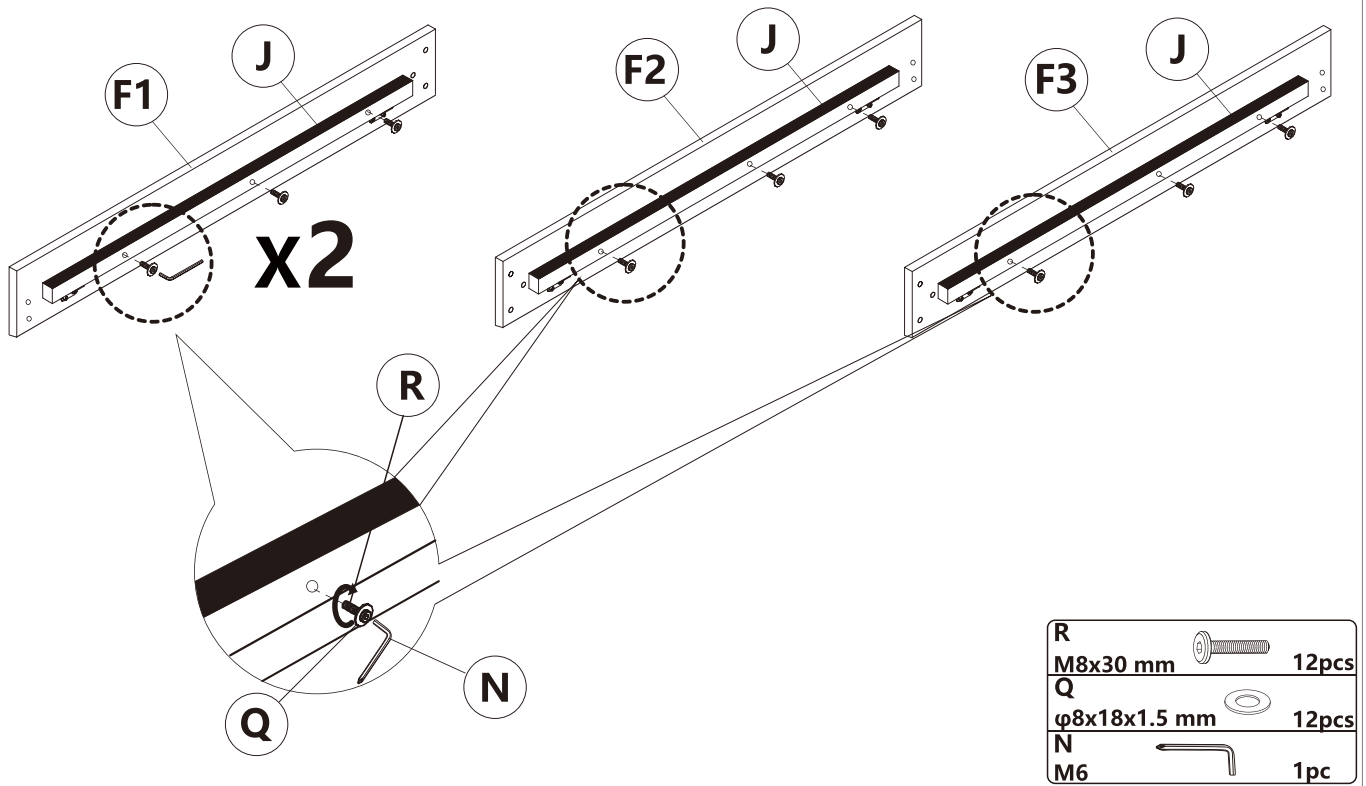
5






6



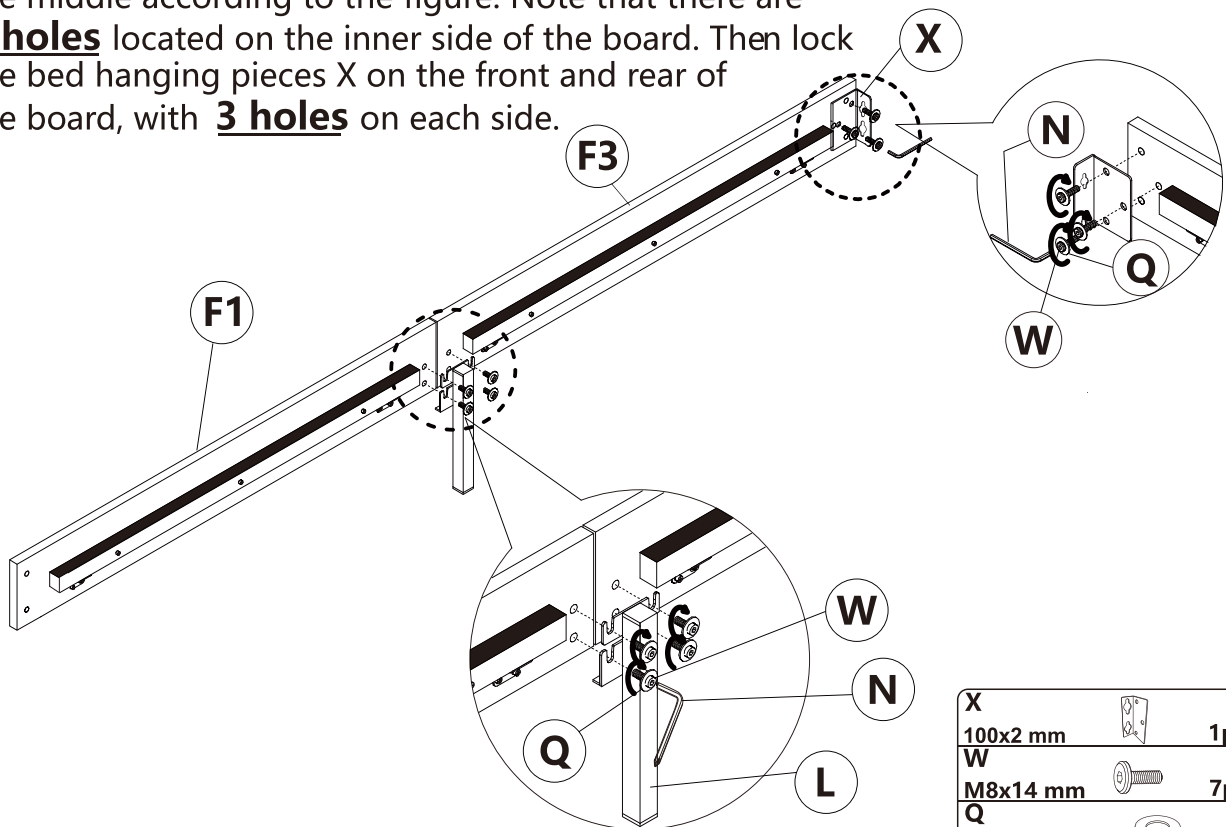
7







R	M8x30 mm		12pcs
Q	φ8x18x1.5 mm		12pcs
N	M6		1pc

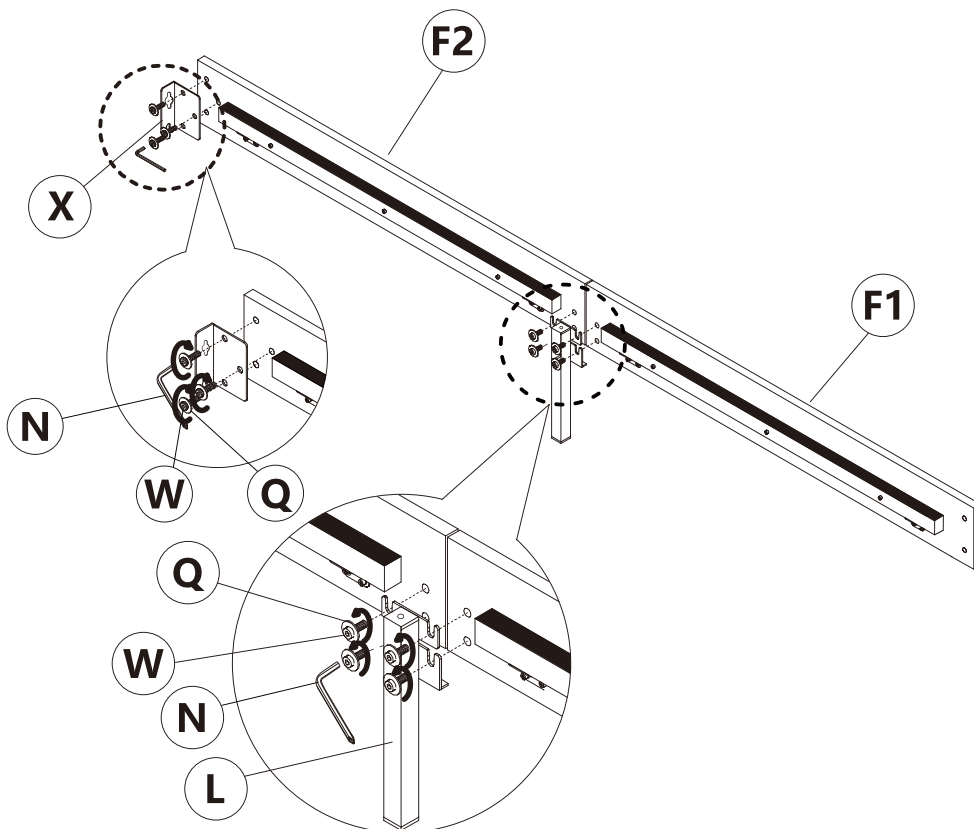
8





Take out parts F1 and F3, and lock the iron frame foot L in the middle according to the figure. Note that there are **2 holes** located on the inner side of the board. Then lock the bed hanging pieces X on the front and rear of the board, with **3 holes** on each side.



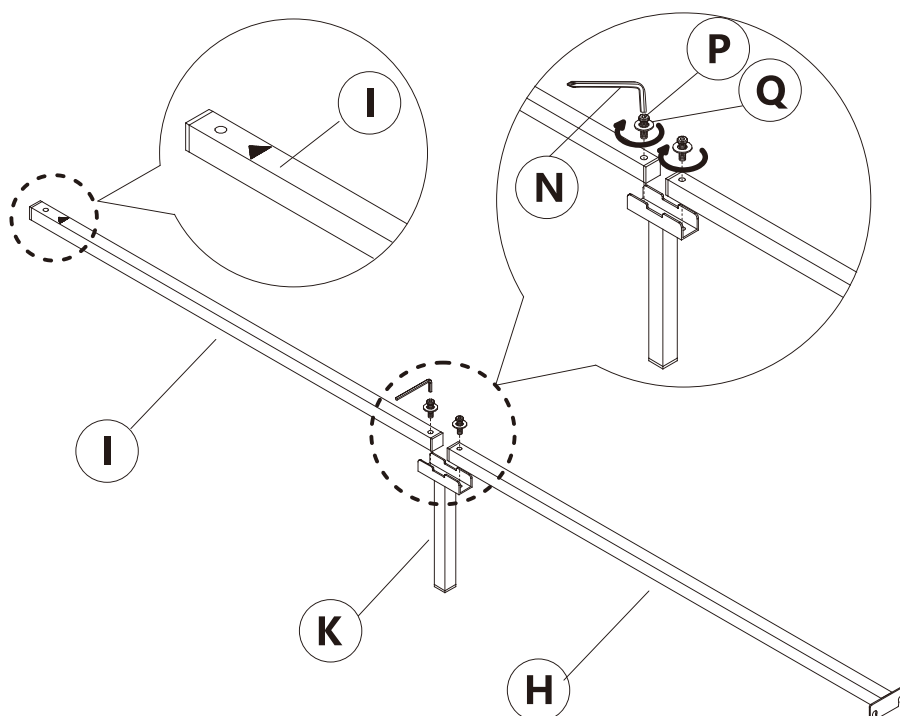
X	100x2 mm		1pc
W	M8x14 mm		7pcs
Q	φ8x18x1.5 mm		7pcs
N	M6		1pc




9 Same as Step 8



X		1pc
W		7pcs
Q		7pcs
N		1pc
M6		

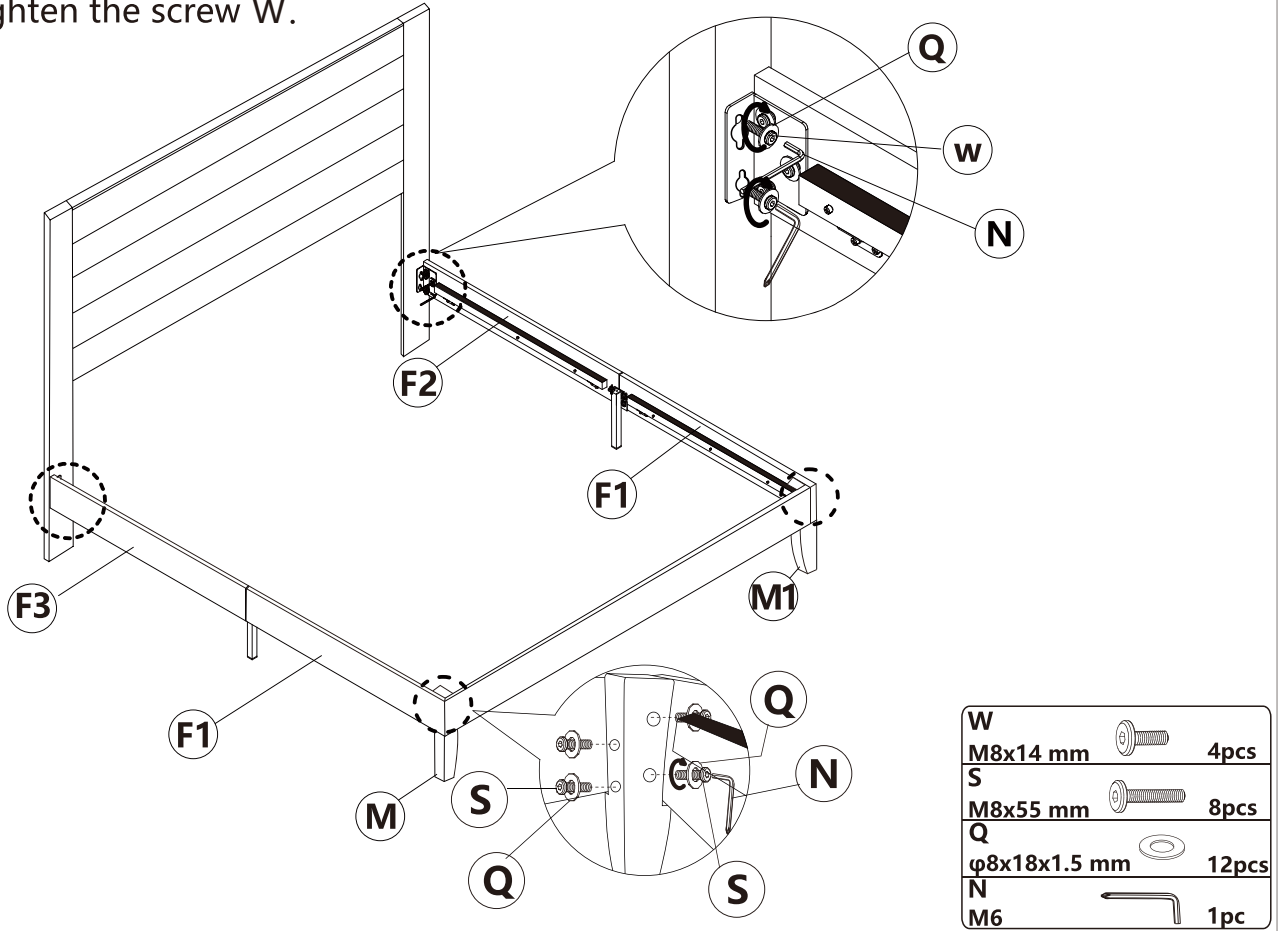
10 Noted the direction of the arrow on the middle cross beam is pointing to the front.



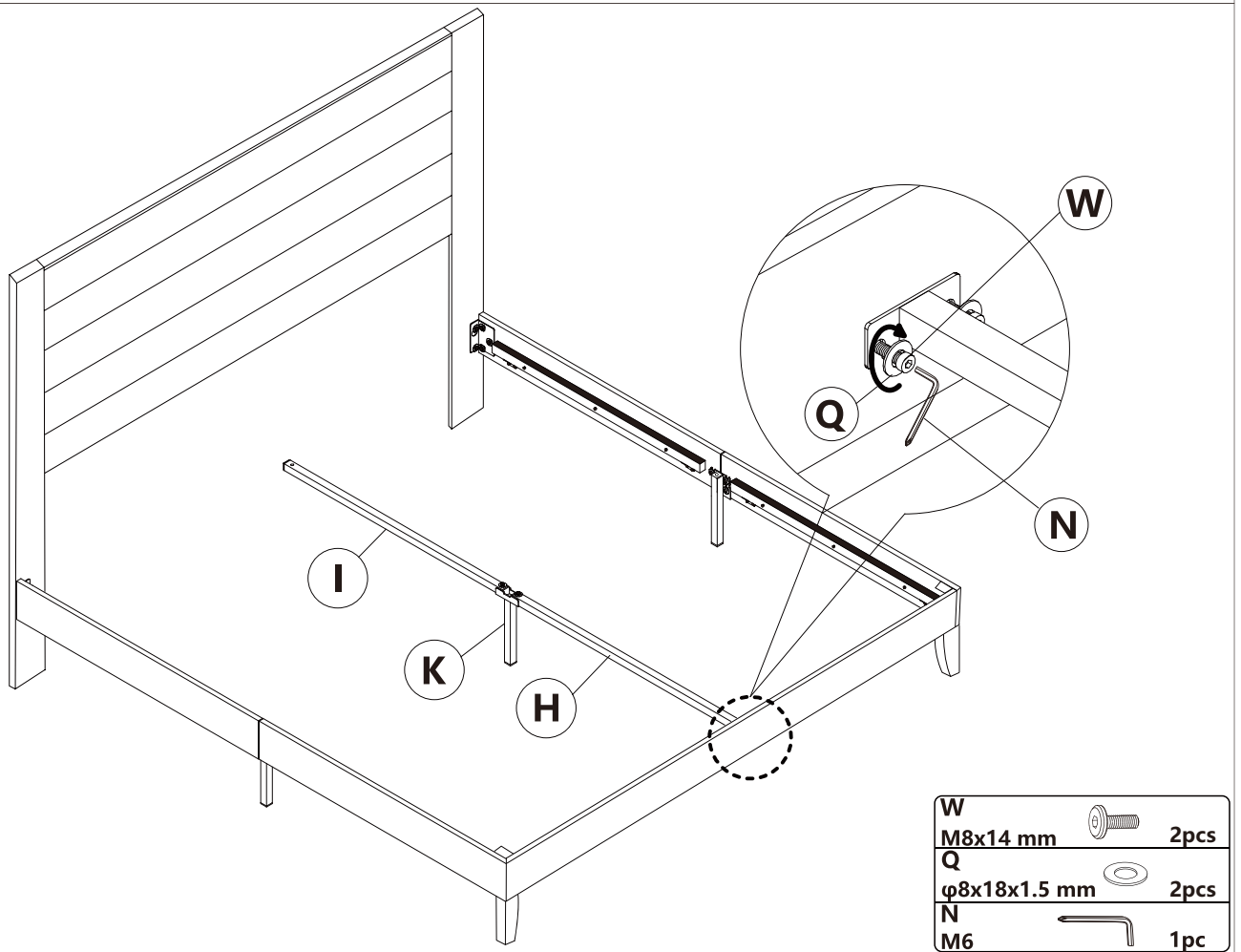
P		2pcs
Q		2pcs
N		1pc
M6		

ASSEMBLY INSTRUCTIONS

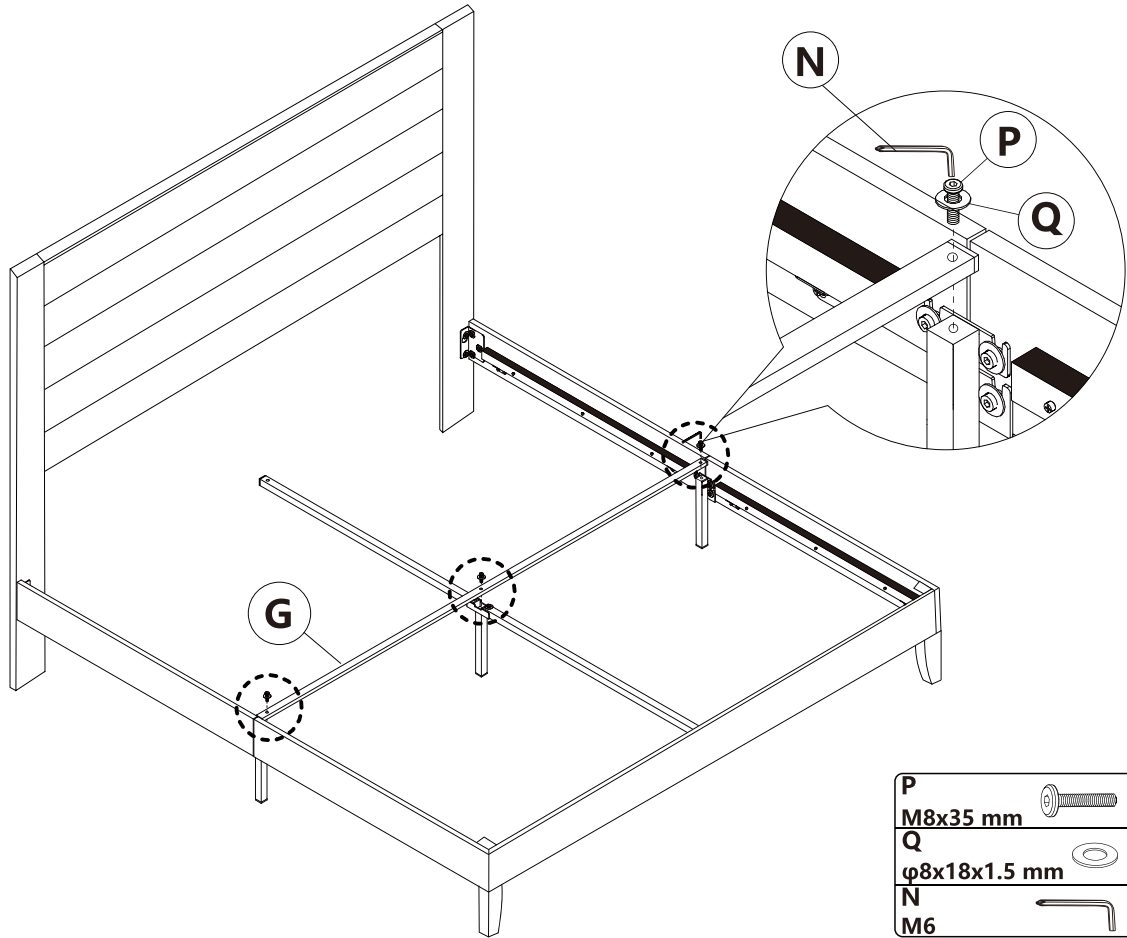
11 Screw in the screw W to about 50%, then hang the bracket on and finally tighten the screw W.






12

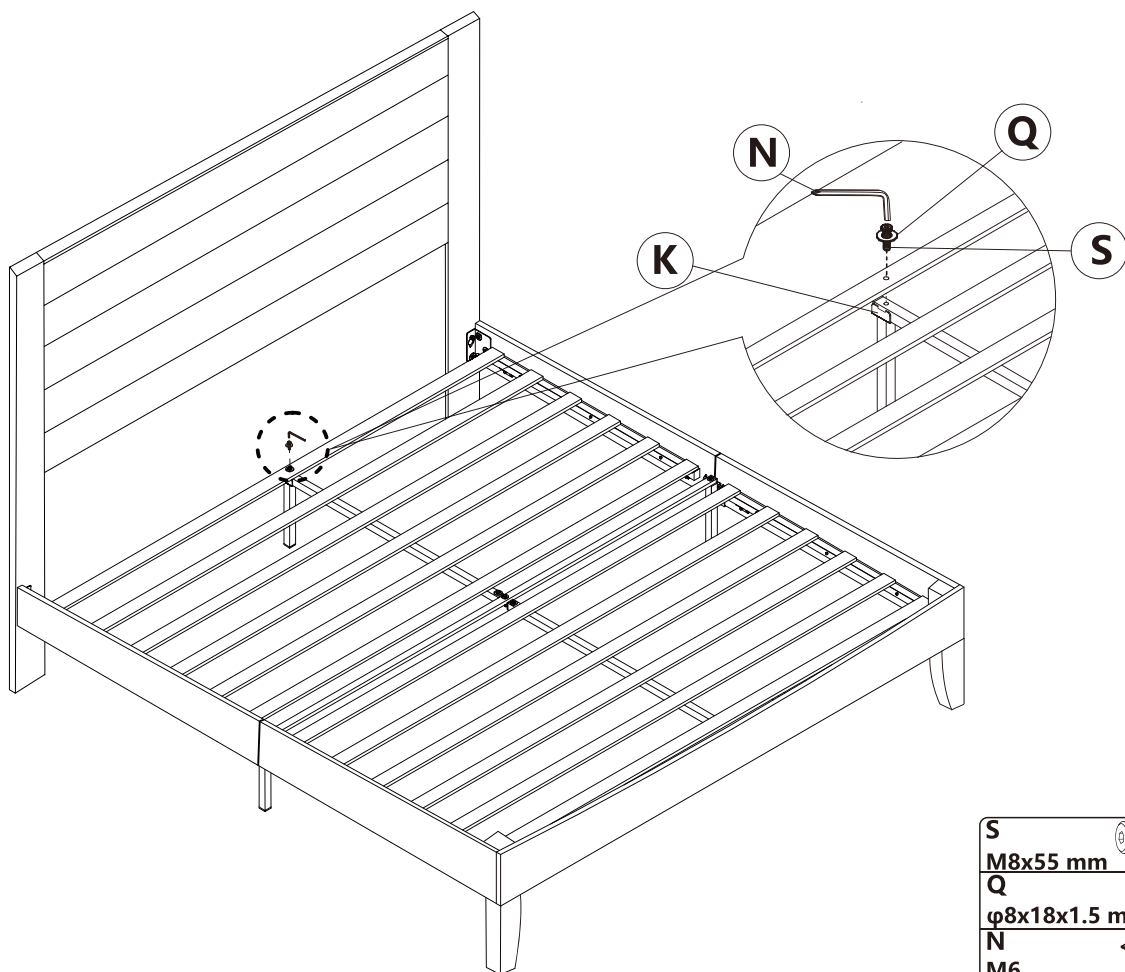





13



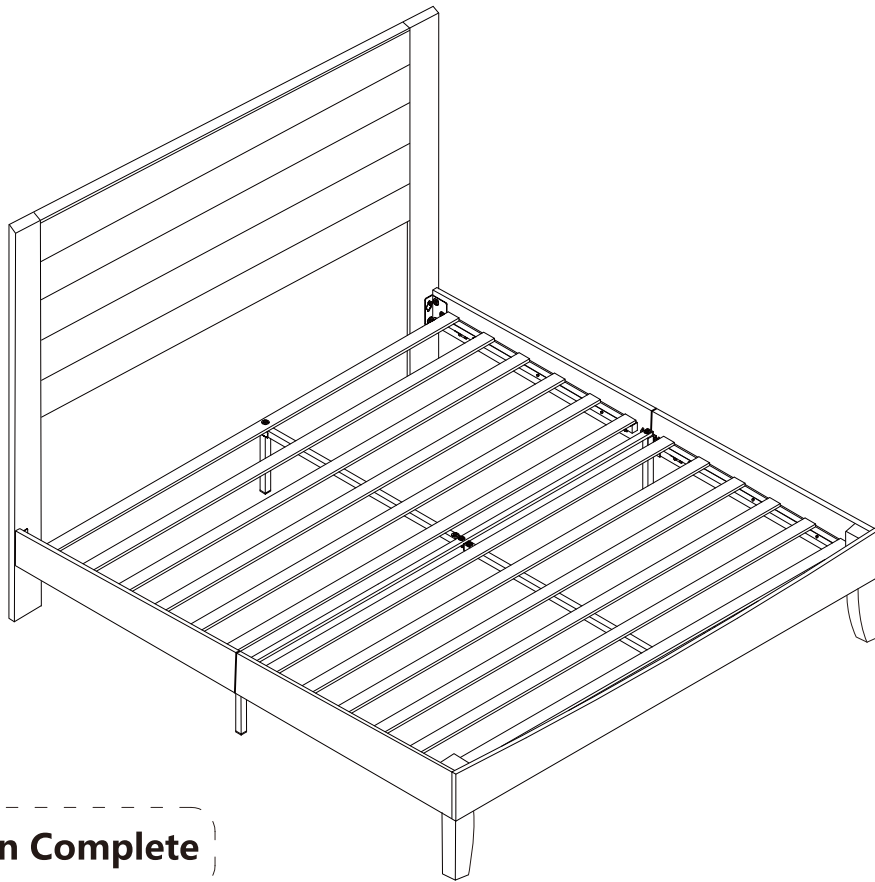
P		3 pcs
M8x35 mm		
Q		3 pcs
φ8x18x1.5 mm		
N		1 pc
M6		

14



S		1 pc
M8x55 mm		
Q		1 pc
φ8x18x1.5 mm		
N		1 pc
M6		

15



Installation Complete