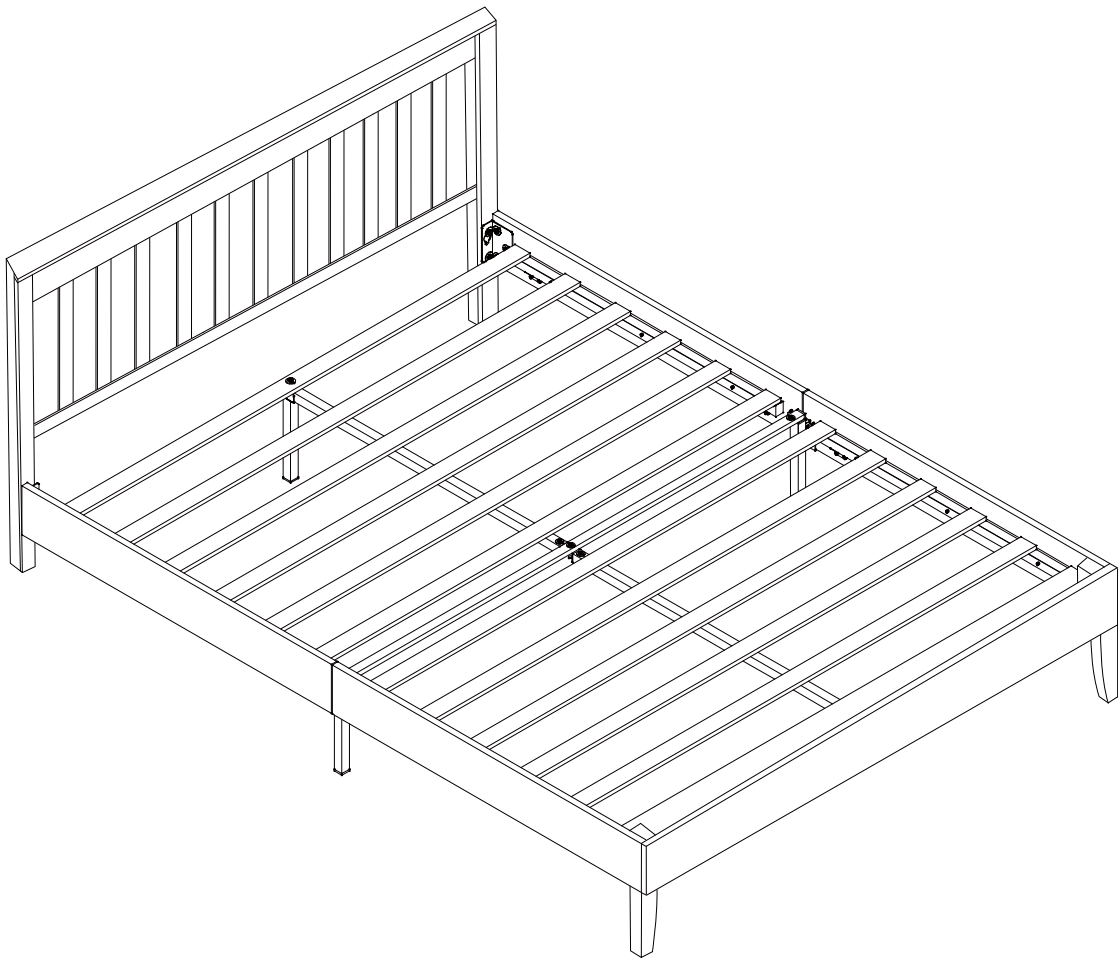


# ASSEMBLY INSTRUCTIONS

---

## Wood Platform Bed (BSW006-F)

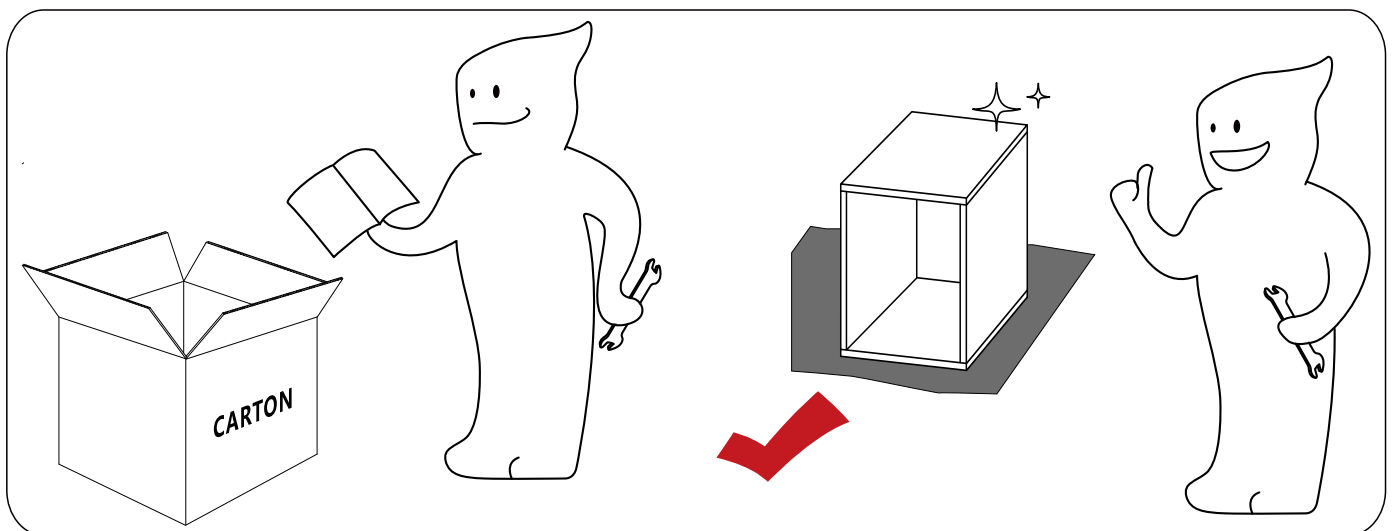
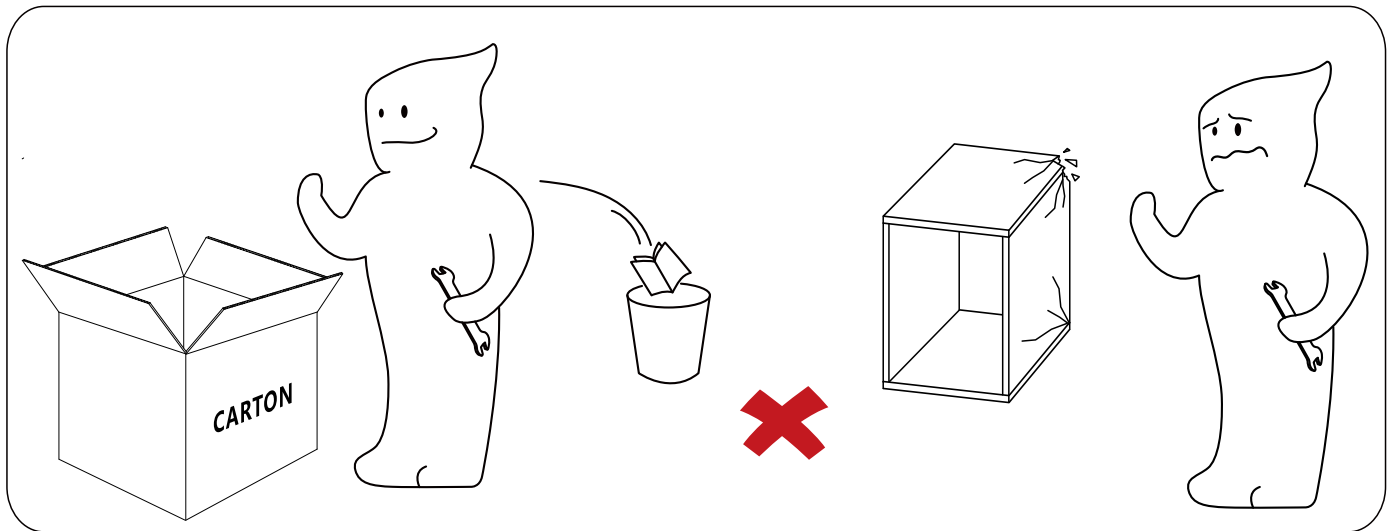


### **Dear Customers,**

Thank you for purchasing our product. Please read this instruction manual carefully after receiving this product. It will help you assemble this product quickly, safely and correctly. You can keep this manual for future reference.

## ! IMPORTANT

Please follow the instruction manuals and use a pad to protect the product during your assembly.



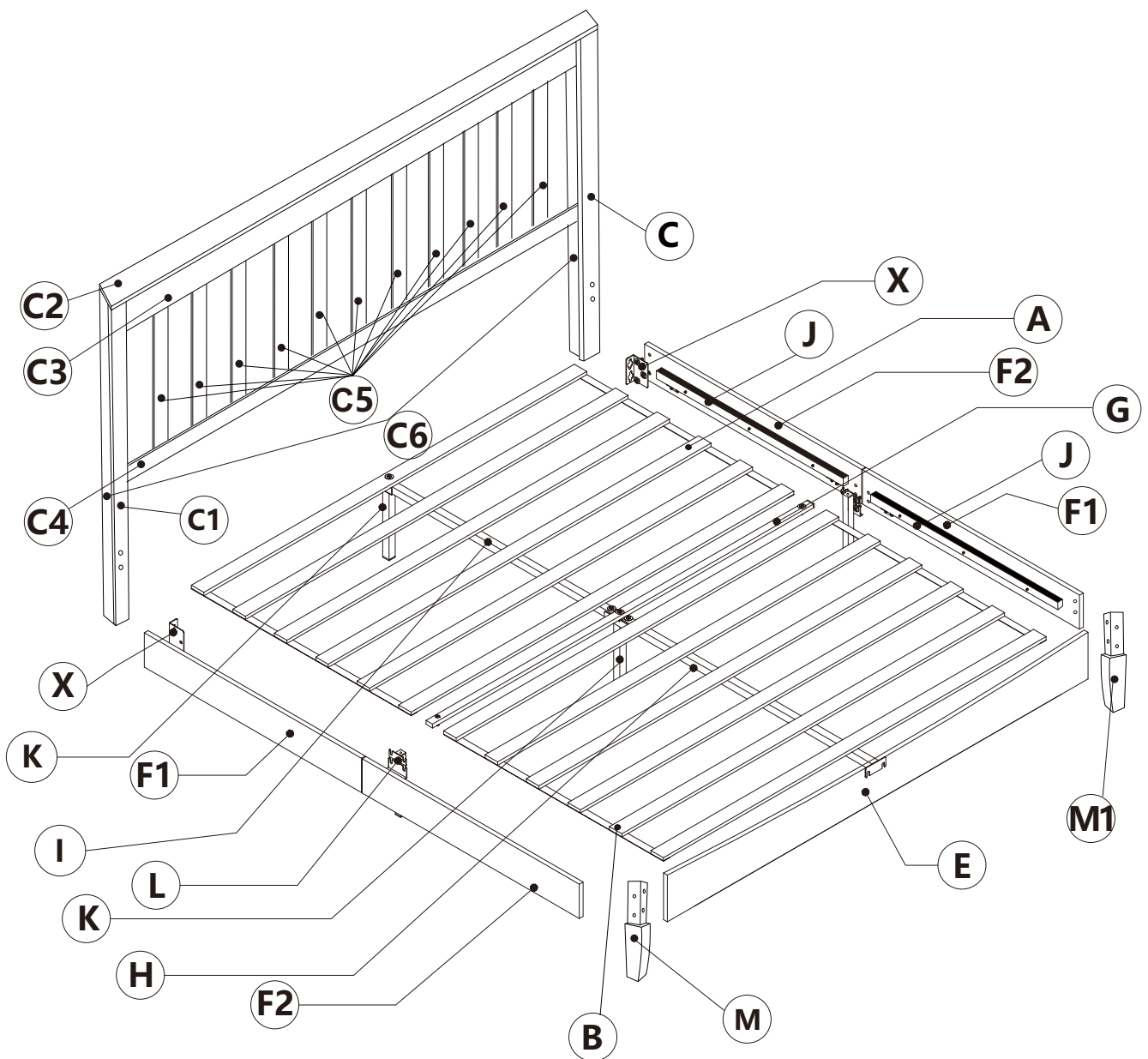
**Note:**

- 1. Should be assembled on flat ground to keep balance.**
- 2. Before completing the installation, do not tighten the screws.**

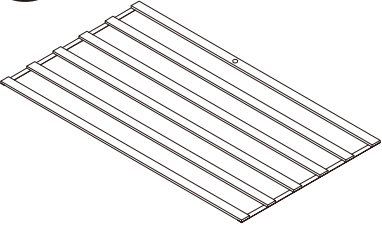
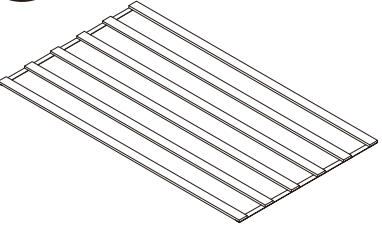
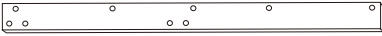
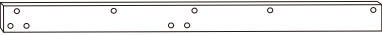

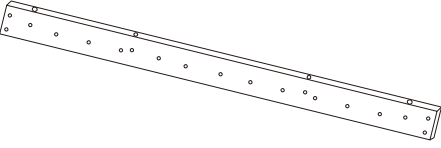
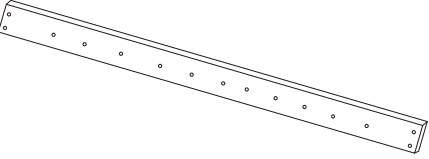

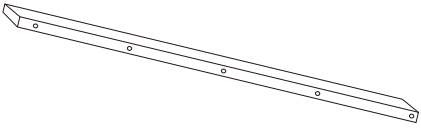
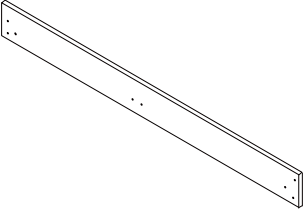
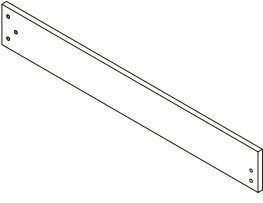
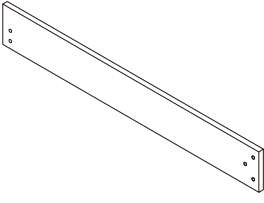

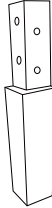
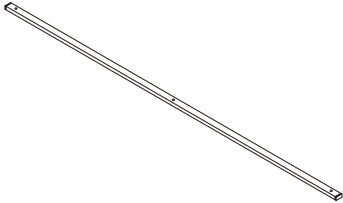


For easier and better assembly, **2** or more adults are required.

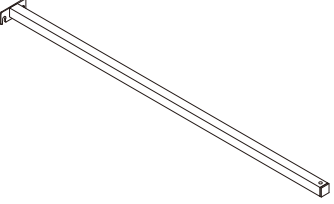
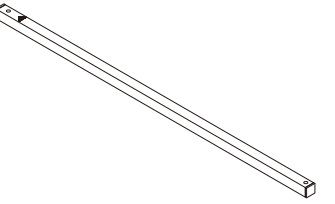

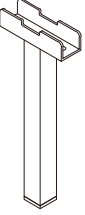
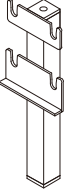

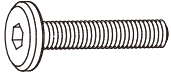

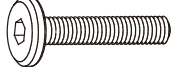

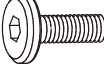
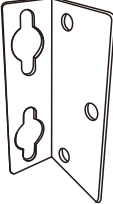
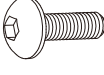
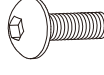
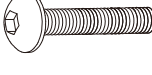
# ASSEMBLY INSTRUCTIONS



# ASSEMBLY INSTRUCTIONS

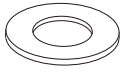
<p><b>(A)</b></p>  <p>1pc</p>	<p><b>(B)</b></p>  <p>1pc</p>	<p><b>(C)</b></p>  <p>1pc</p>
<p><b>(C1)</b></p>  <p>1pc</p>	<p><b>(C2)</b></p>  <p>1pc</p>	<p><b>(C3)</b></p>  <p>1pc</p>
<p><b>(C4)</b></p>  <p>1pc</p>	<p><b>(C5)</b></p>  <p>11pcs</p>	<p><b>(C6)</b></p>  <p>2pcs</p>
<p><b>(E)</b></p>  <p>1pc</p>	<p><b>(F1)</b></p>  <p>2pcs</p>	<p><b>(F2)</b></p>  <p>2pcs</p>
<p><b>(M)</b></p>  <p>1pc</p>	<p><b>(M1)</b></p>  <p>1pc</p>	<p><b>(G)</b></p>  <p>1pc</p>

# ASSEMBLY INSTRUCTIONS

<p><b>(H)</b></p>  <p>1pc</p>	<p><b>(I)</b></p>  <p>1pc</p>	<p><b>(J)</b></p>  <p>4pcs</p>
<p><b>(K)</b></p>  <p>2pcs</p>	<p><b>(L)</b></p>  <p>2pcs</p>	<p><b>(N)</b></p>  <p>M6</p> <p>1pc</p>
<p><b>(P)</b></p>  <p>M8x35 mm</p> <p>5pcs</p>	<p><b>(Q)</b></p>  <p><math>\phi</math> 8x18x1.5 mm</p> <p>46pcs+1pc</p>	<p><b>(R)</b></p>  <p>M8x30 mm</p> <p>12pcs</p>
<p><b>(S)</b></p>  <p>M8x55 mm</p> <p>9pcs</p>	<p><b>(W)</b></p>  <p>M8x14 mm</p> <p>20pcs+1pc</p>	<p><b>(X)</b></p>  <p>100x2 mm</p> <p>2pcs</p>
<p><b>(T)</b></p>  <p>M6x25 mm</p> <p>8pcs</p>	<p><b>(U)</b></p>  <p>M6x20 mm</p> <p>22pcs+1pc</p>	<p><b>(V)</b></p>  <p>M6x35 mm</p> <p>10pcs</p>

# ASSEMBLY INSTRUCTIONS

**Z**



M6

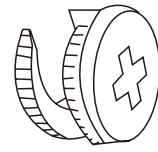
32pcs+1pc

**D1**



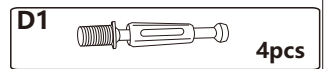
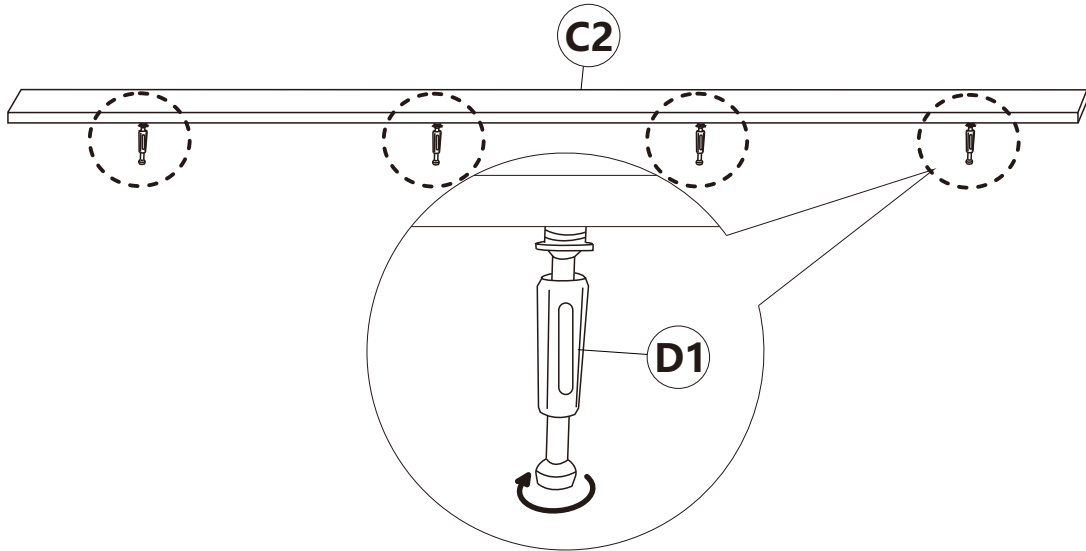
4pcs

**D2**

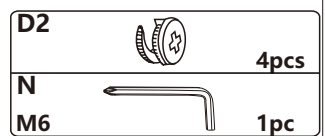
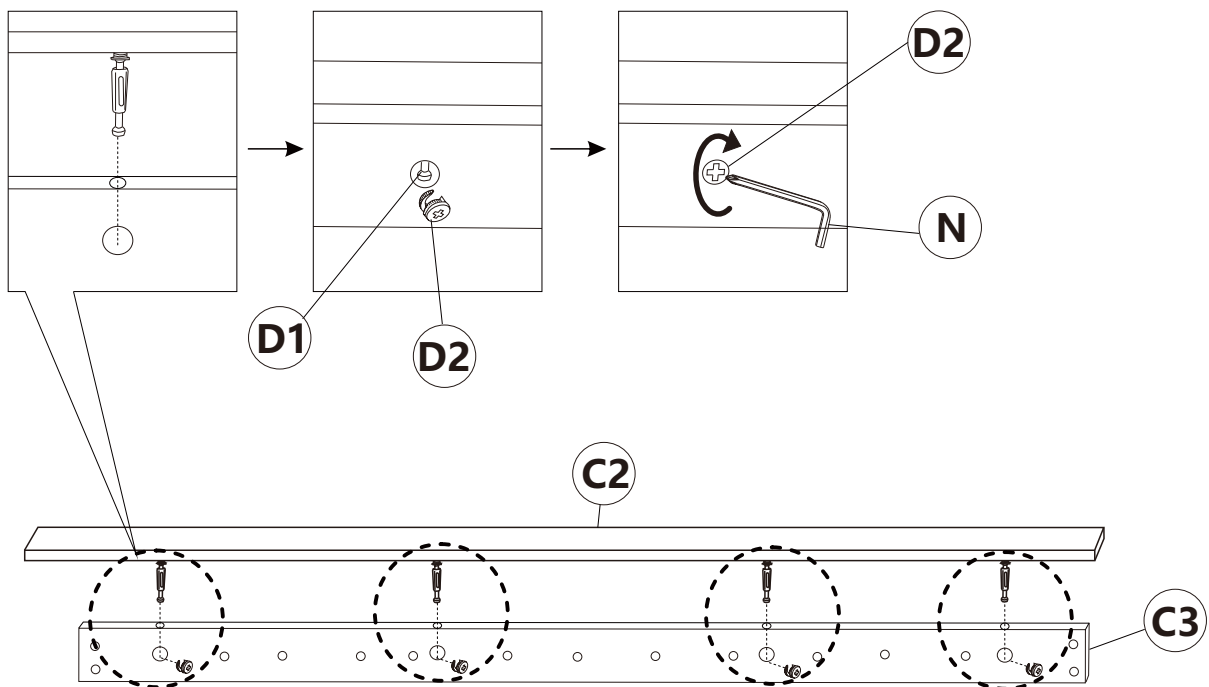


4pcs

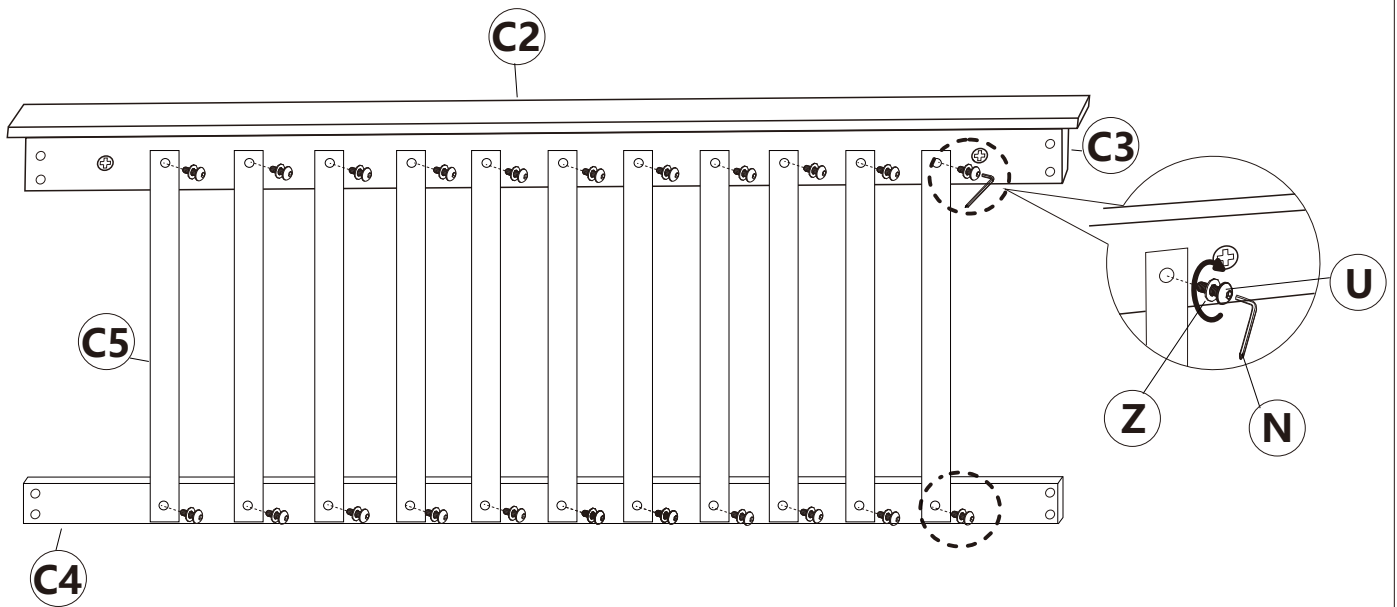
## 1

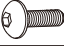




## 2

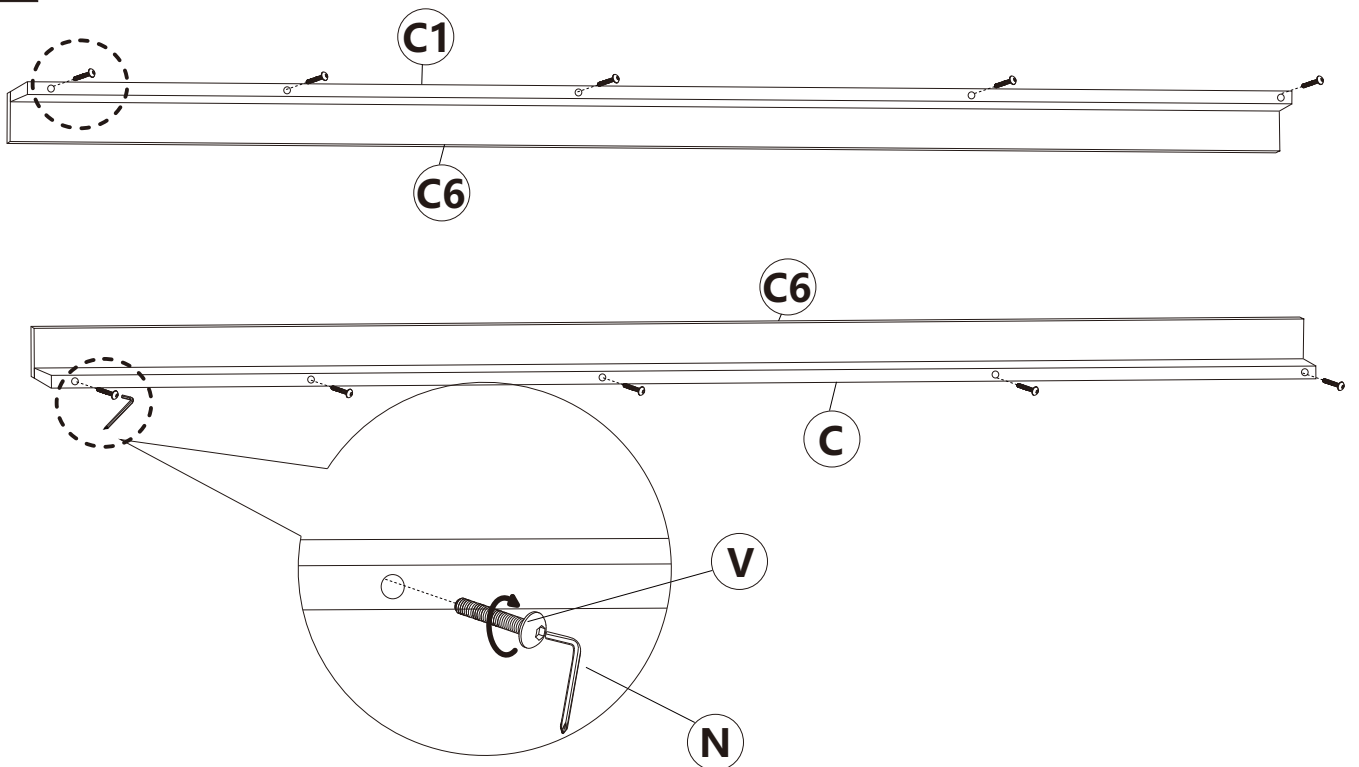




## 3



U	M6x20 mm		22pcs
Z	M6		22pcs
N	M6		1pc

## 4

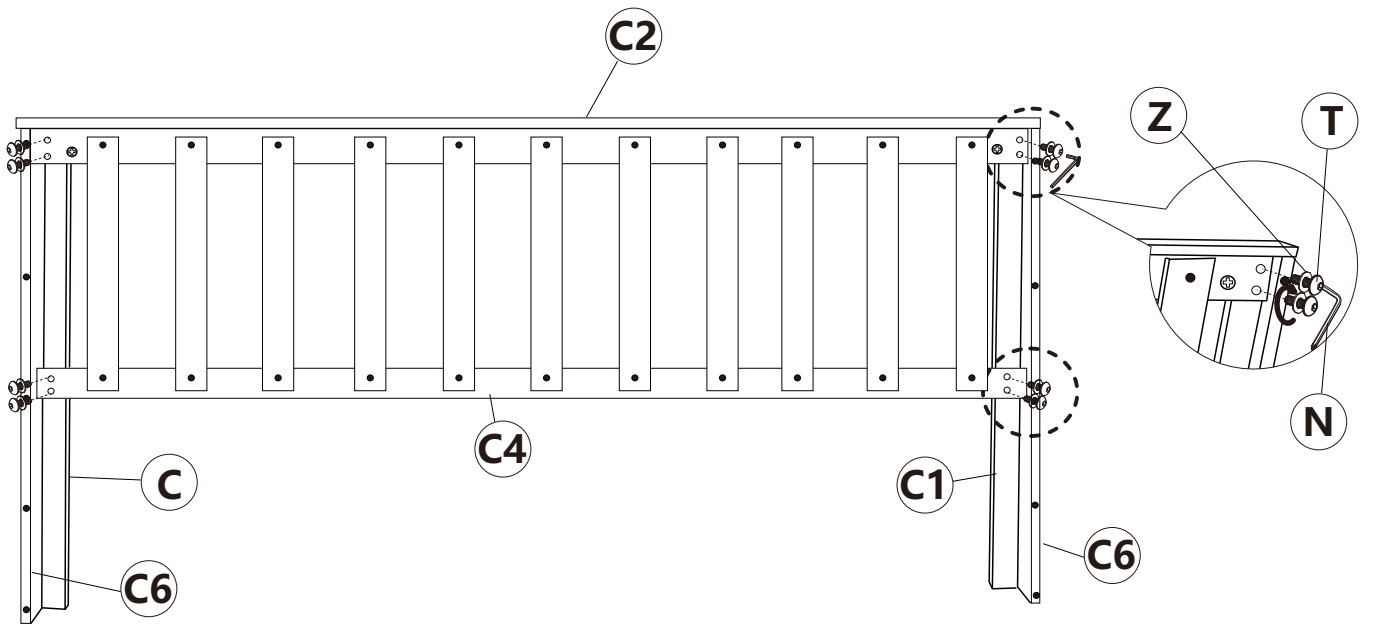


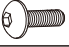


V	M6x35 mm		10pcs
N	M6		1pc



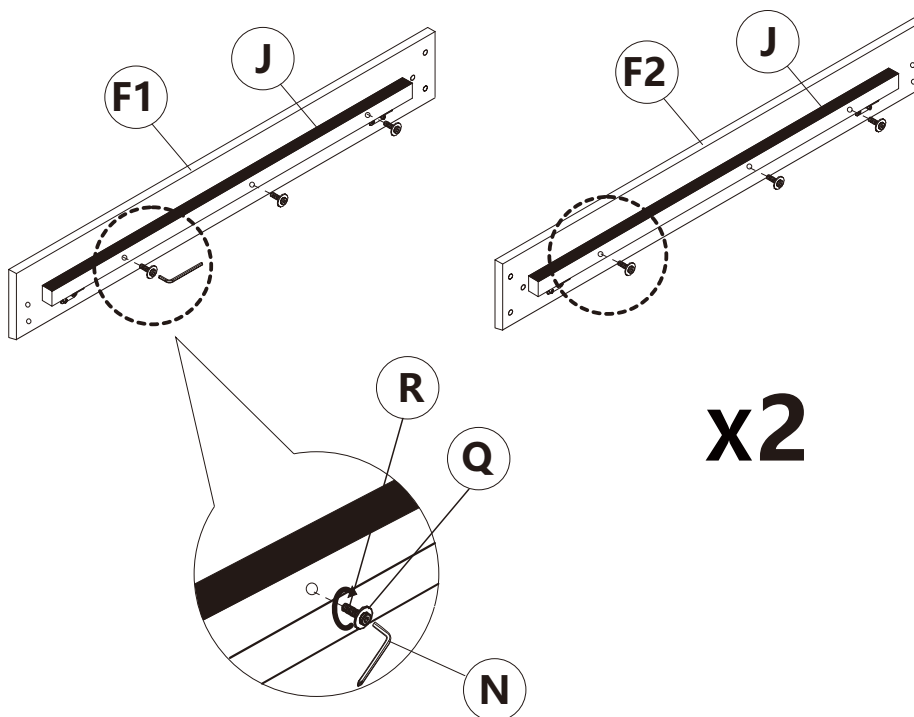
# ASSEMBLY INSTRUCTIONS

**5**






T	M6x25 mm		8pcs
Z	M6		8pcs
N	M6		1pc

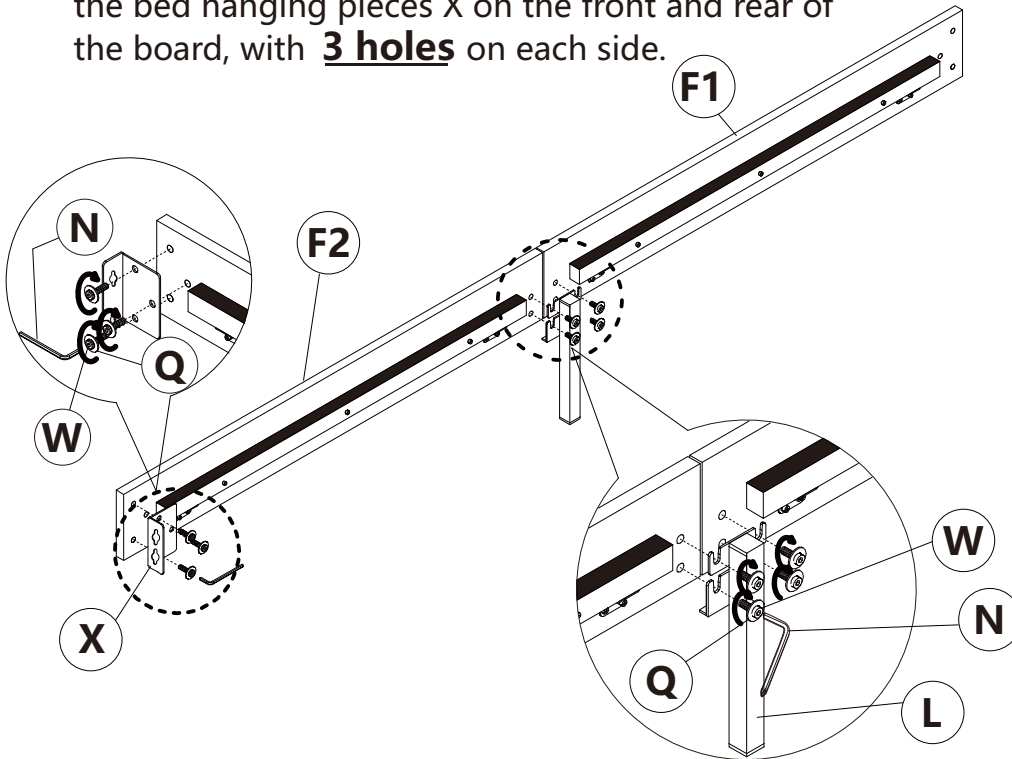
**6**



**x2**

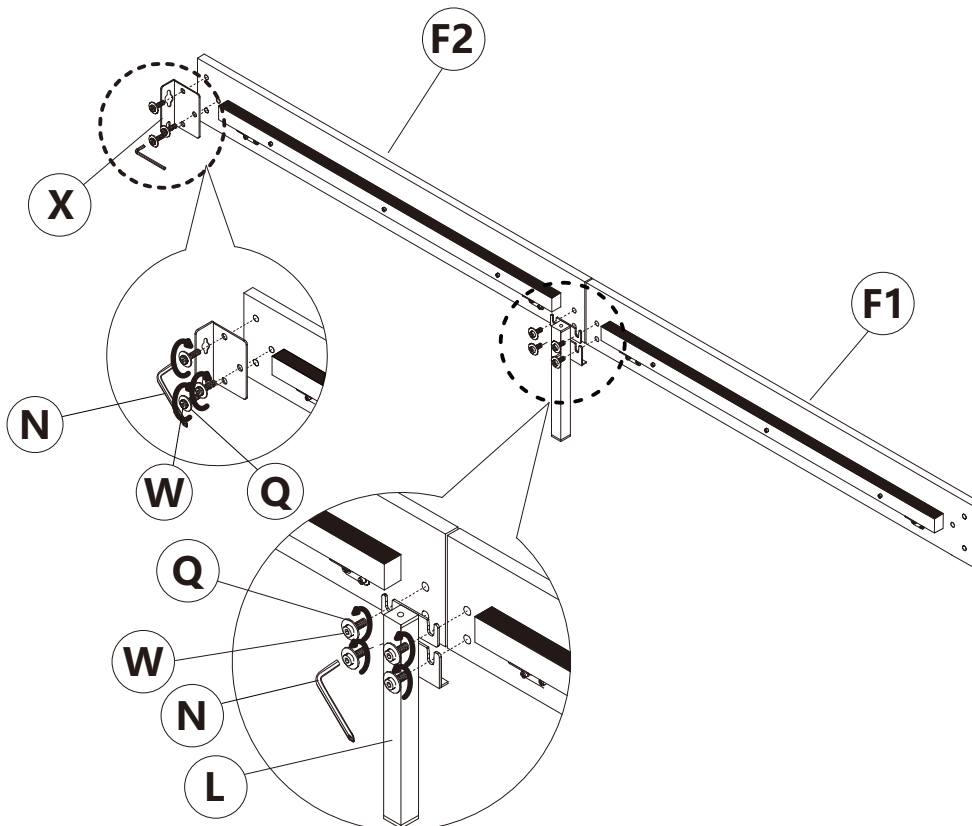
R	M8x30 mm		12pcs
Q	φ8x18x1.5 mm		12pcs
N	M6		1pc

- 7** Take out parts F1 and F2, and lock the iron frame foot L in the middle according to the figure. Note that there are **2 holes** located on the inner side of the board. Then lock the bed hanging pieces X on the front and rear of the board, with **3 holes** on each side.



X		1pc
100x2 mm		
W		7pcs
M8x14 mm		
Q		7pcs
φ8x18x1.5 mm		
N		1pc
M6		

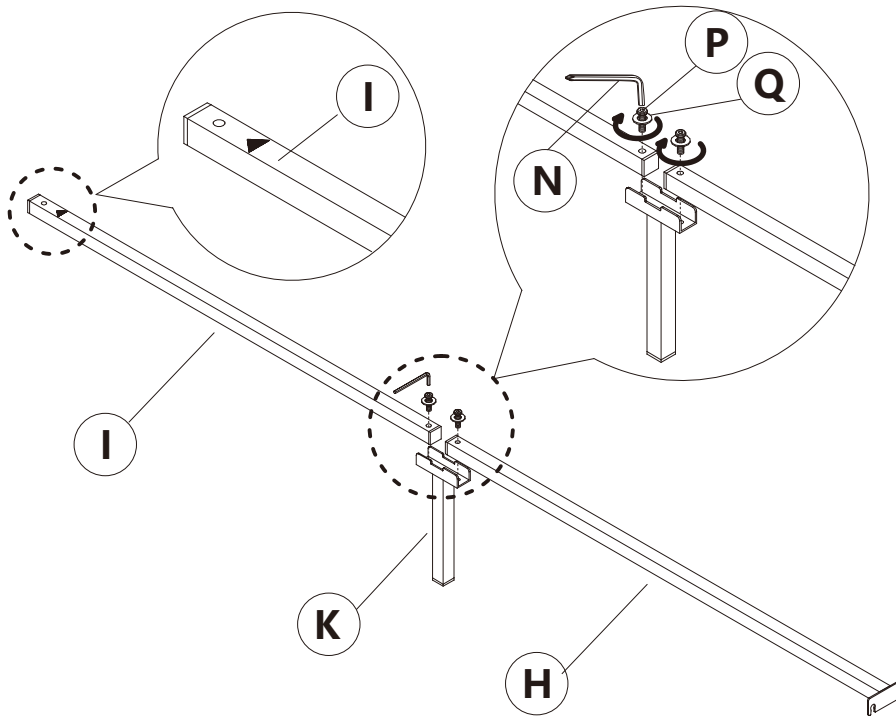
- 8** Same as Step 7






X		1pc
100x2 mm		
W		7pcs
M8x14 mm		
Q		7pcs
φ8x18x1.5 mm		
N		1pc
M6		

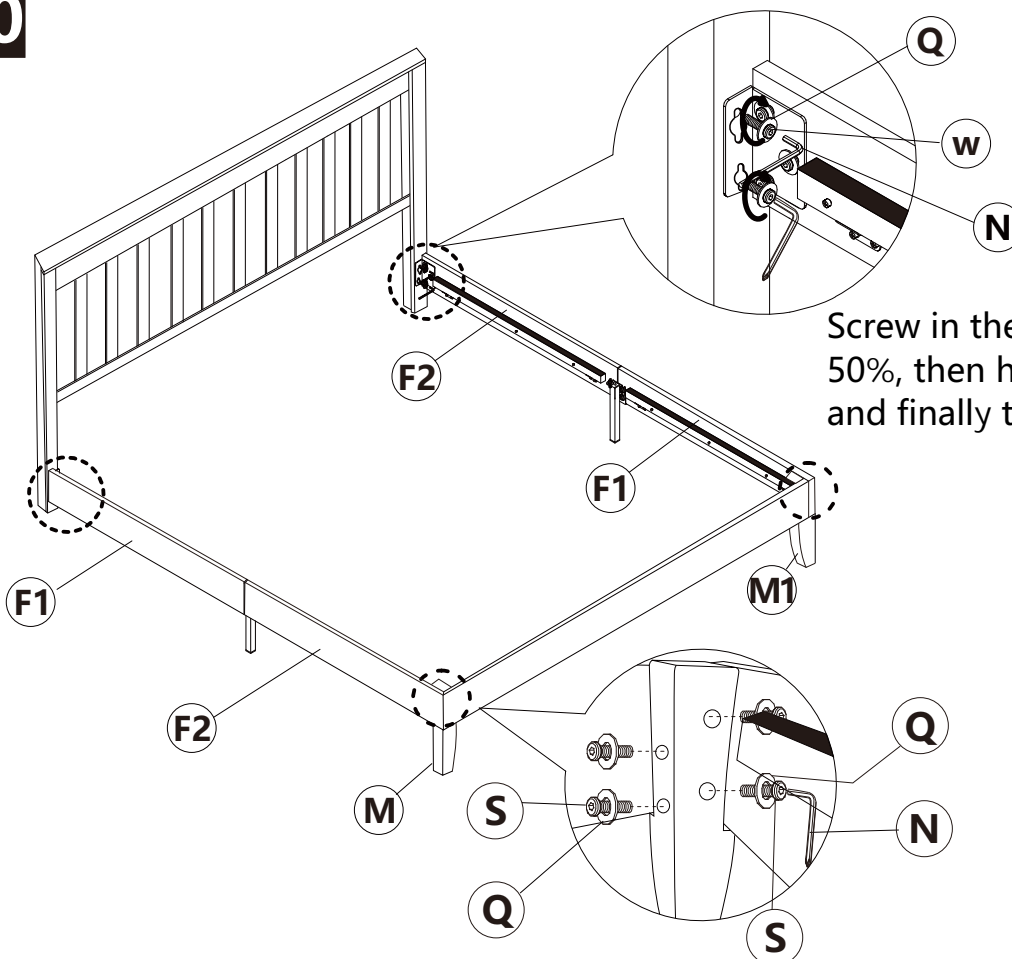
# ASSEMBLY INSTRUCTIONS

**9** Noted the direction of the arrow on the middle cross beam is pointing to the front.


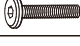




P	M8x35 mm		2pcs
Q	φ8x18x1.5 mm		2pcs
N	M6		1pc

**10**

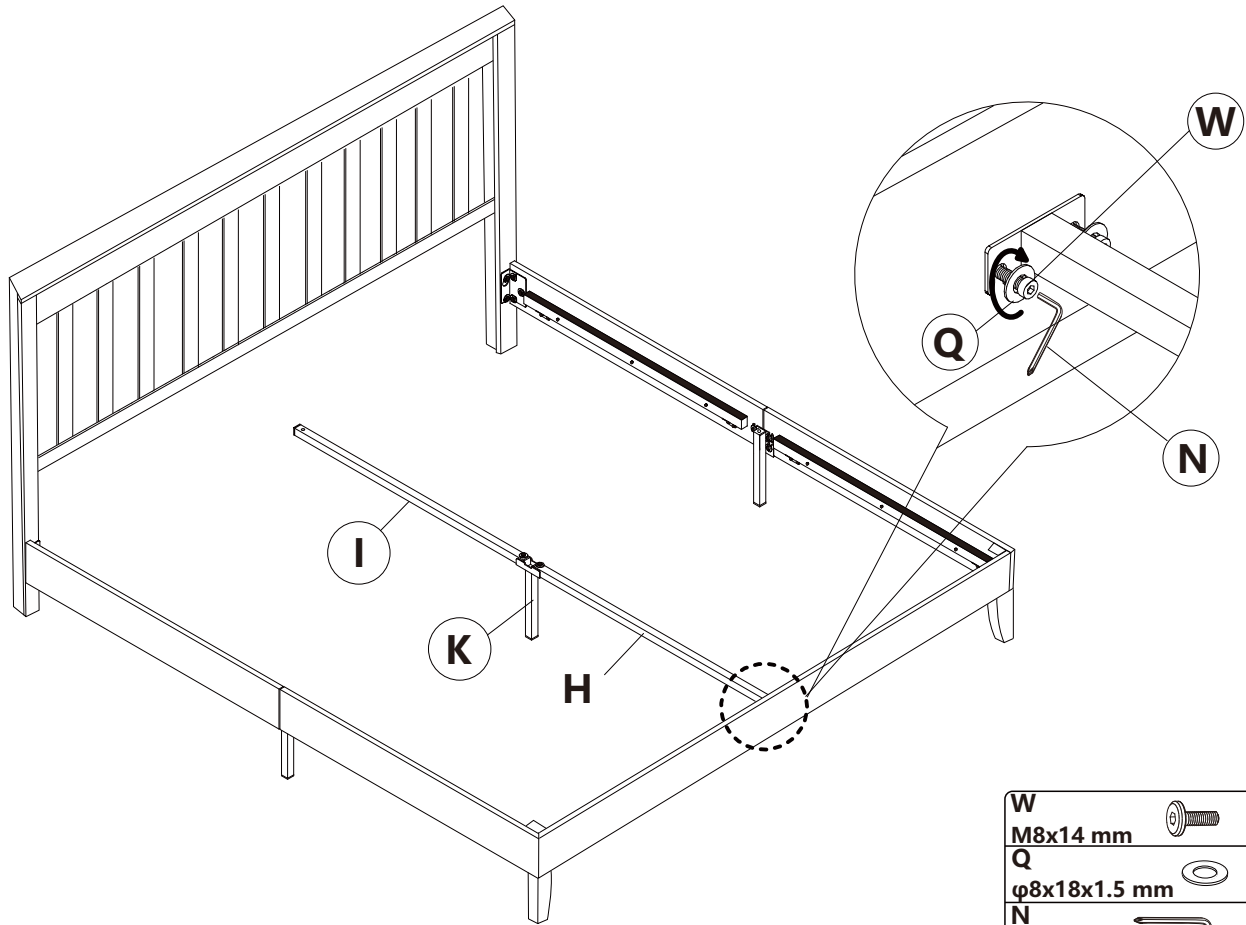





Screw in the screw S to about 50%, then hang the bracket on and finally tighten the screw S.

W	M8x14 mm		4pcs
S	M8x55 mm		8pcs
Q	φ8x18x1.5 mm		12pcs
N	M6		1pc

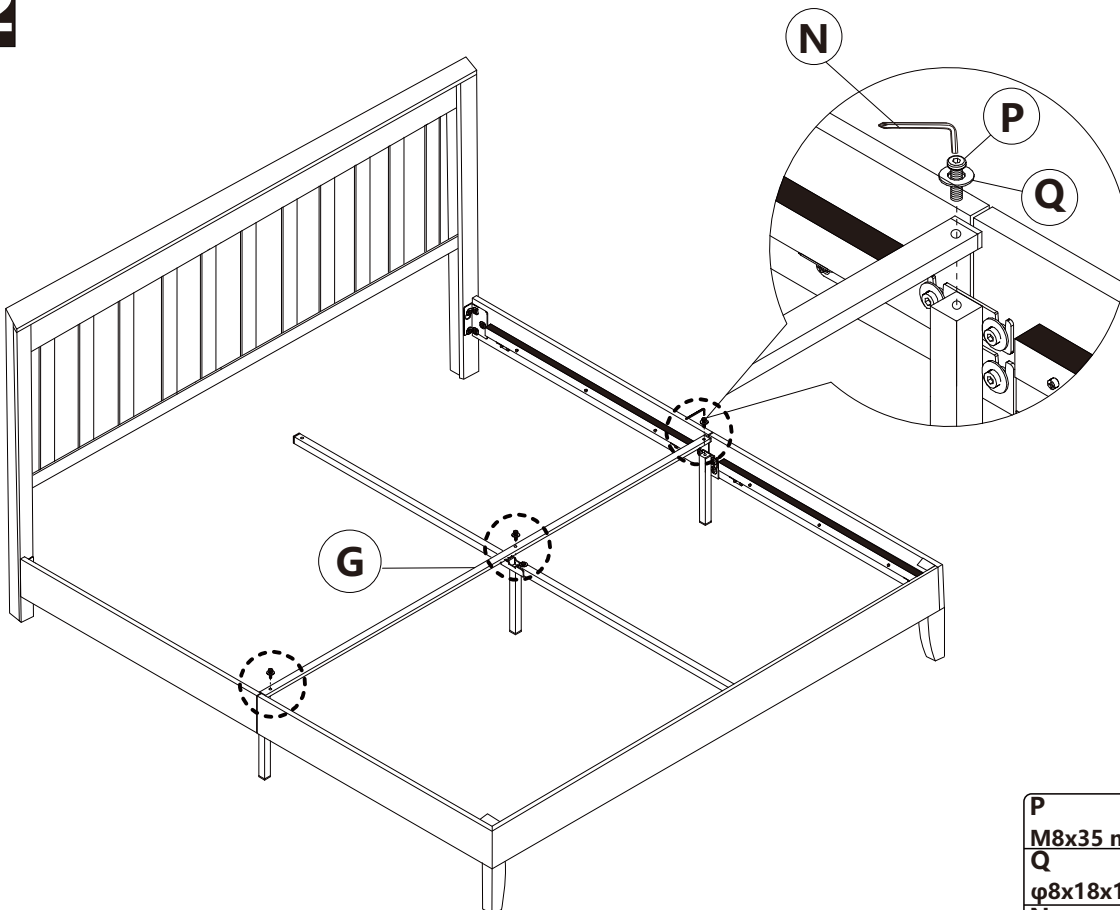
# ASSEMBLY INSTRUCTIONS




11



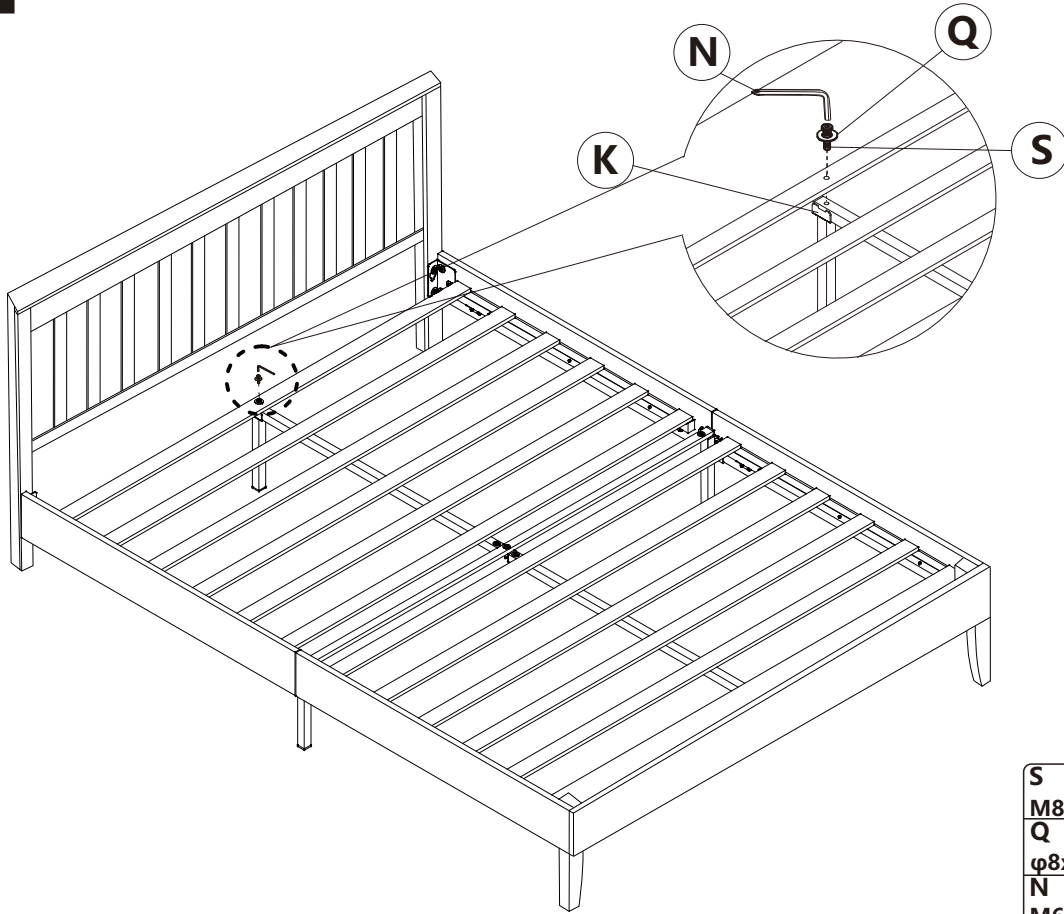
W		2 pcs
M8x14 mm		
Q		2 pcs
φ8x18x1.5 mm		
N		1 pc
M6		




12



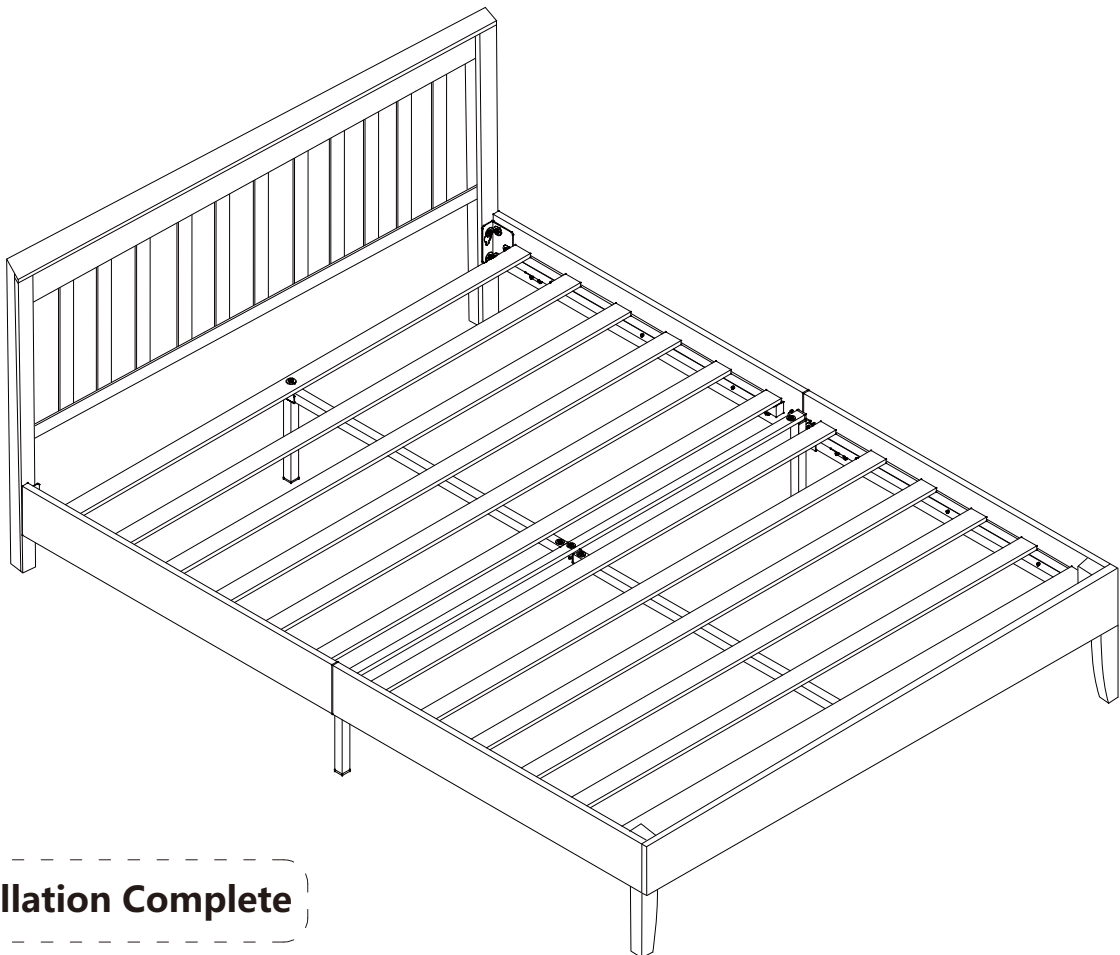
P		3 pcs
M8x35 mm		
Q		3 pcs
φ8x18x1.5 mm		
N		1 pc
M6		

**13**



S		1pc
M8x55 mm		
Q		1pc
φ8x18x1.5 mm		
N		1pc
M6		

**14**



**Installation Complete**