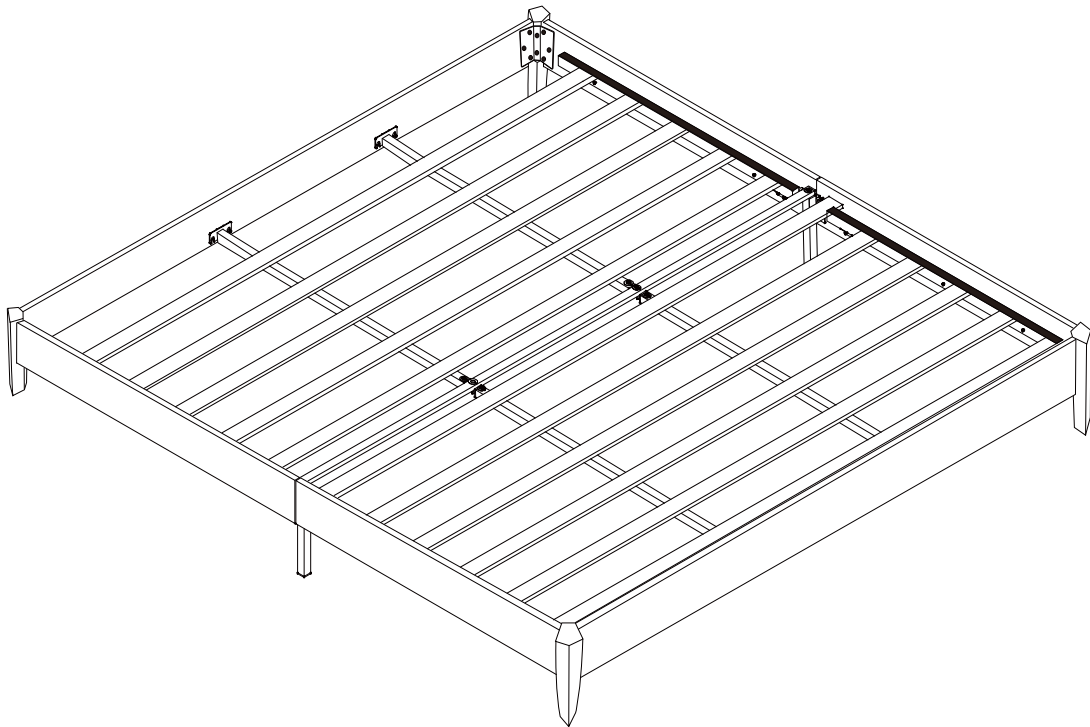


## Wood Platform Bed (BSW005-K)

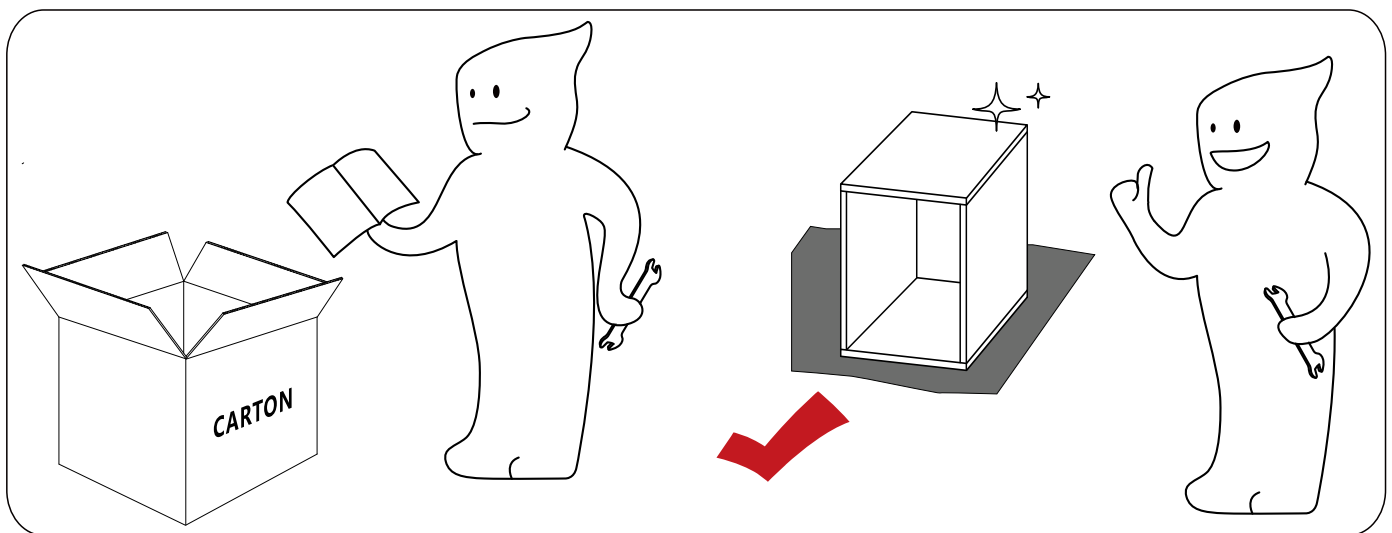
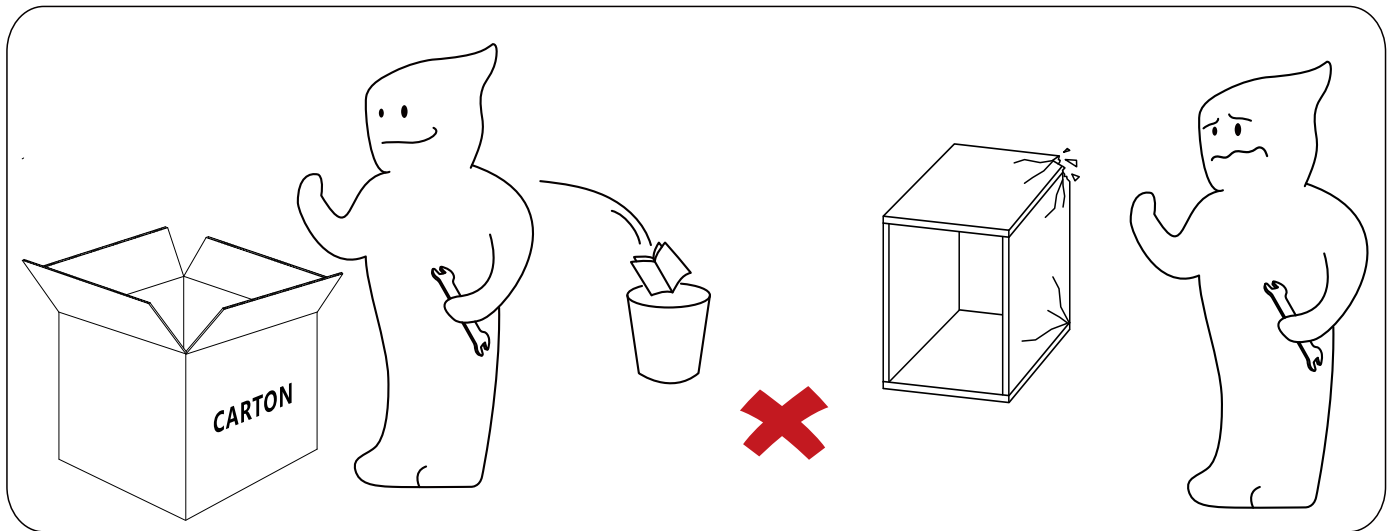


### **Dear Customers,**

Thank you for purchasing our product. Please read this instruction manual carefully after receiving this product. It will help you assemble this product quickly, safely and correctly. You can keep this manual for future reference.

## ! IMPORTANT

Please follow the instruction manuals and use a pad to protect the product during your assembly.



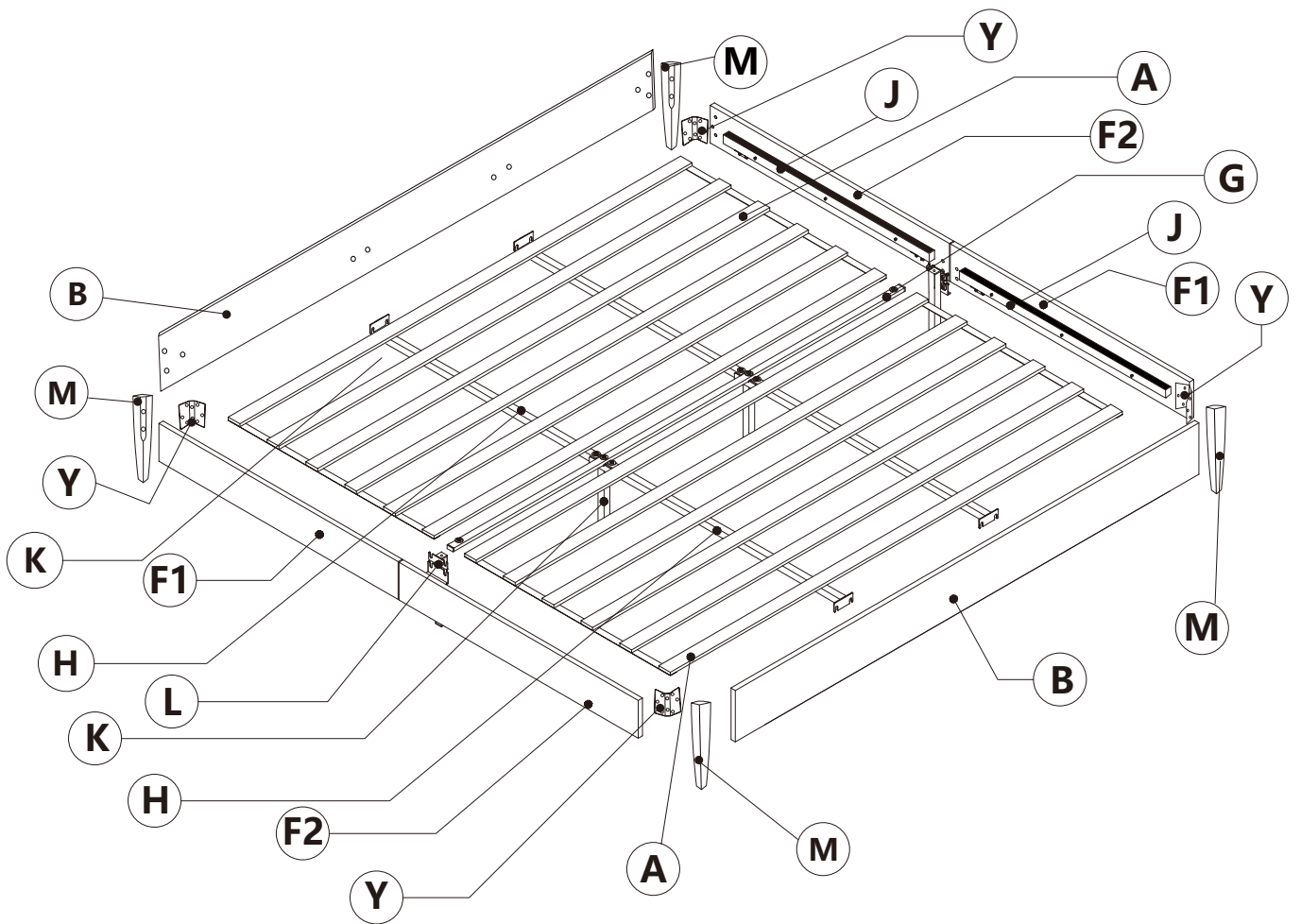
**Note:**

- 1. Should be assembled on flat ground to keep balance.**
- 2. Before completing the installation, do not tighten the screws.**

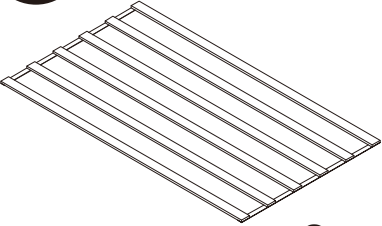
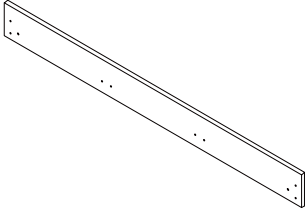
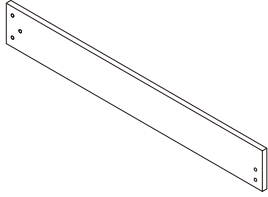
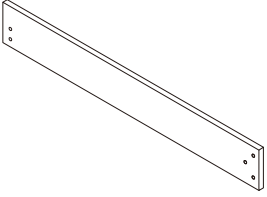

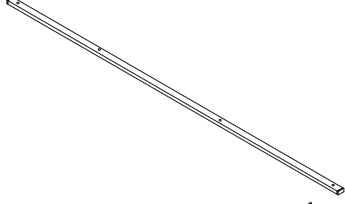
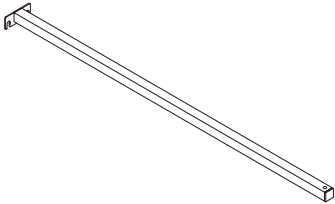

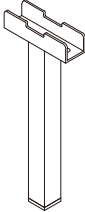
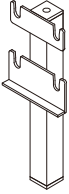


For easier and better assembly, **2** or more adults are required.

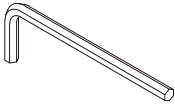
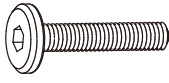

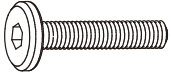
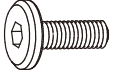
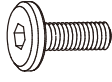
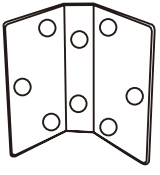
# ASSEMBLY INSTRUCTIONS



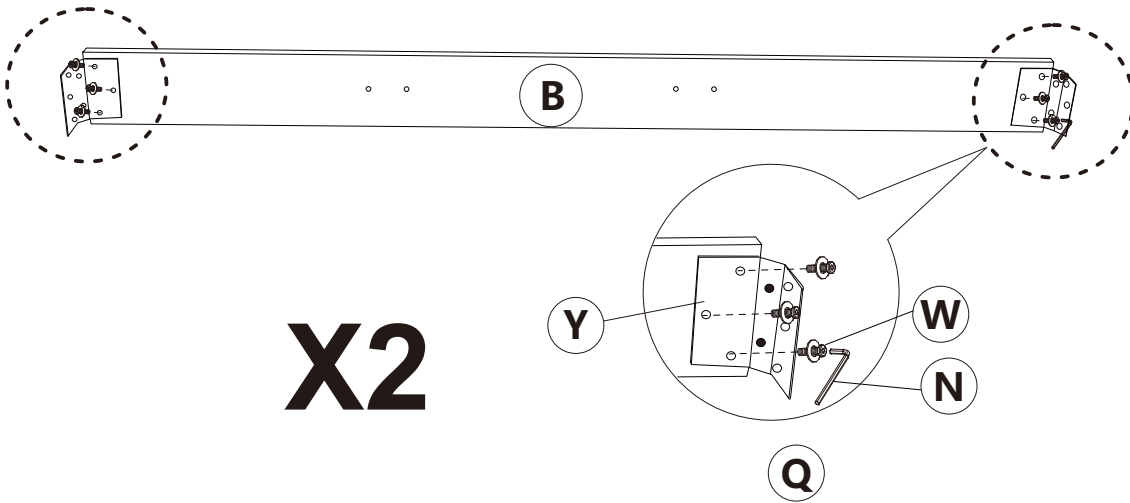
# ASSEMBLY INSTRUCTIONS

<p><b>(A)</b></p>  <p>2pcs</p>	<p><b>(B)</b></p>  <p>2pcs</p>	<p><b>(F1)</b></p>  <p>2pcs</p>
<p><b>(F2)</b></p>  <p>2pcs</p>	<p><b>(M)</b></p>  <p>4pcs</p>	<p><b>(G)</b></p>  <p>1pc</p>
<p><b>(H)</b></p>  <p>4pcs</p>	<p><b>(J)</b></p>  <p>4pcs</p>	<p><b>(K)</b></p>  <p>2pcs</p>
<p><b>(L)</b></p>  <p>2pcs</p>		




# ASSEMBLY INSTRUCTIONS

<p><b>(N)</b></p>  <p>M6</p> <p>1pc</p>	<p><b>(P)</b></p>  <p>M8x35 mm</p> <p>8pcs</p>	<p><b>(Q)</b></p>  <p><math>\phi</math> 8x18x1.5 mm</p> <p>68pcs+1pc</p>
<p><b>(R)</b></p>  <p>M8x30 mm</p> <p>12pcs</p>	<p><b>(S)</b></p>  <p>M8x25 mm</p> <p>8pcs</p>	<p><b>(W)</b></p>  <p>M8x14 mm</p> <p>40pcs+1pc</p>
<p><b>(Y)</b></p>  <p>100x2 mm</p> <p>4pcs</p>		

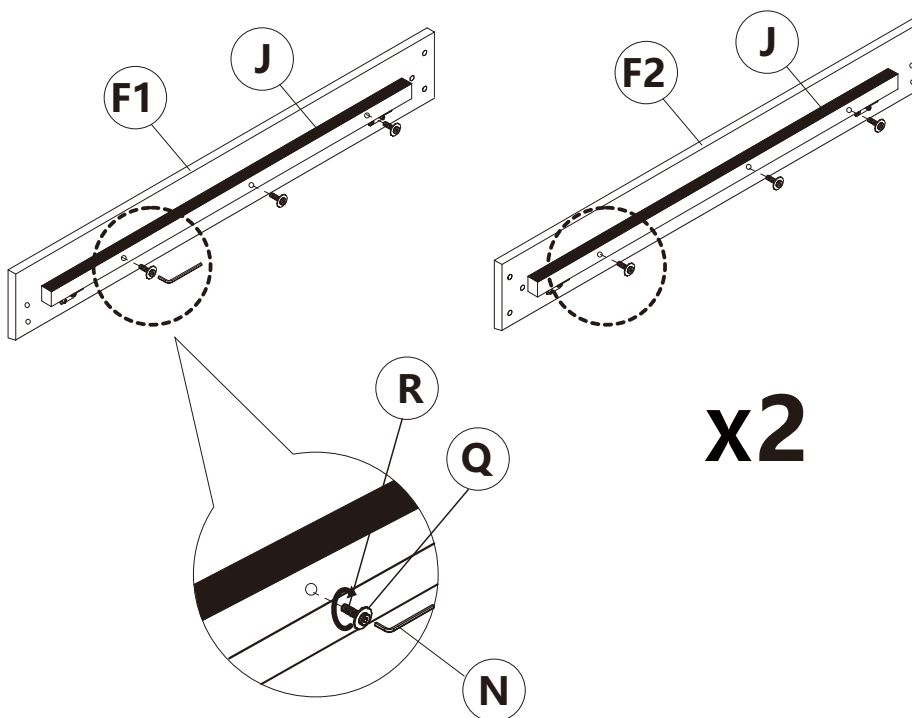
**1** Tight all the inner screw after all holes are aligned.






**X2**

W		12pcs
M8x14 mm		
Q		12pcs
φ8x18x1.5 mm		
N		1pc
M6		

**2**

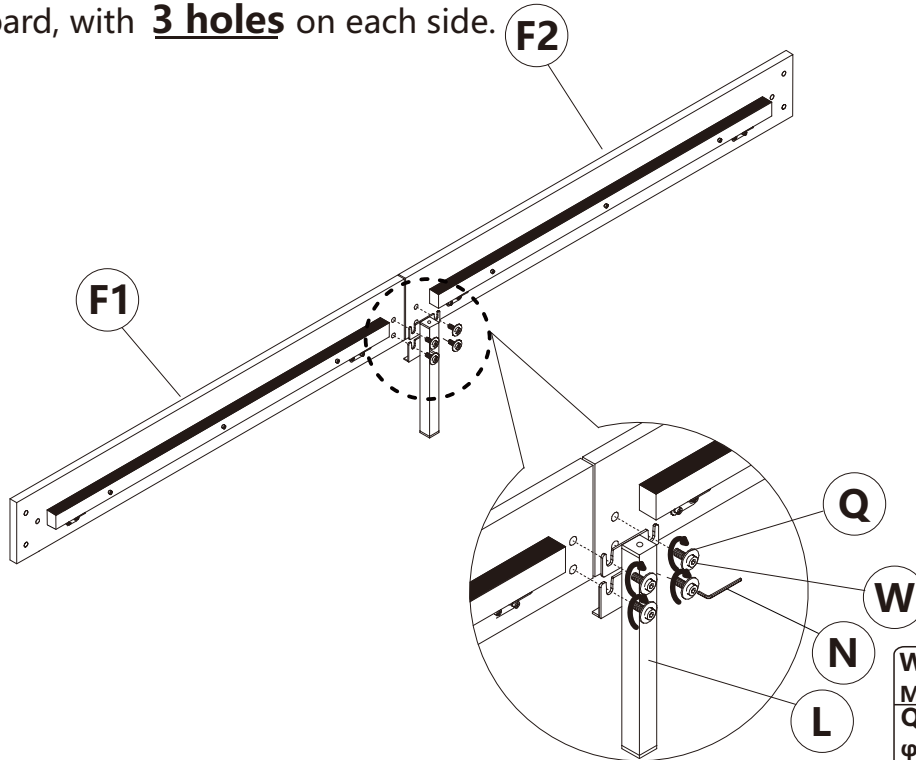





**x2**

R		12pcs
M8x30 mm		
Q		12pcs
φ8x18x1.5 mm		
N		1pc
M6		

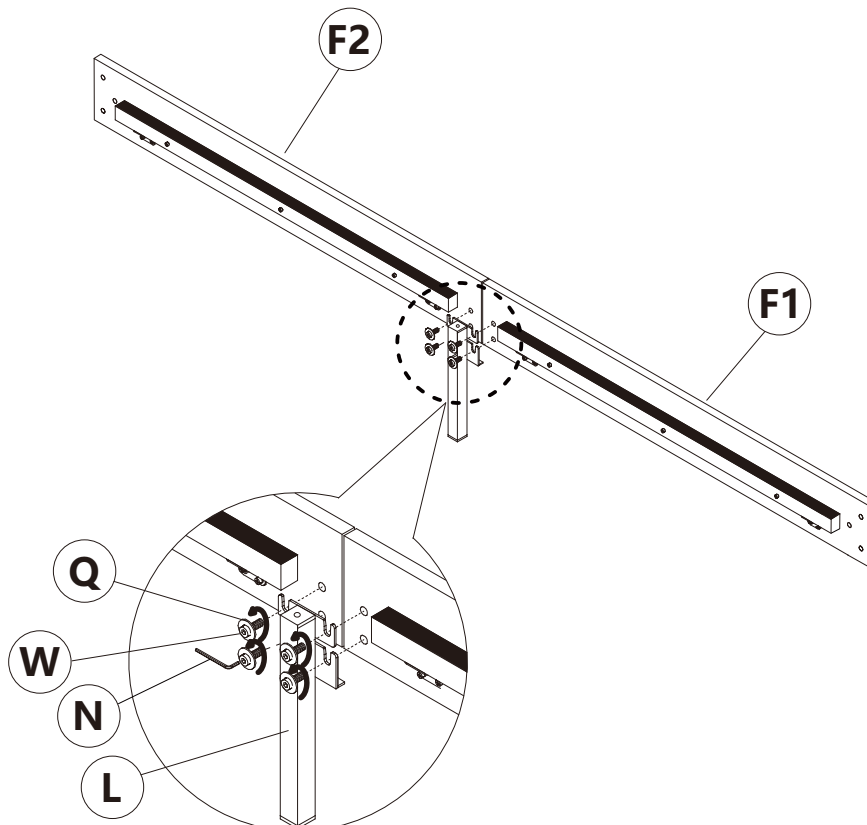
# ASSEMBLY INSTRUCTIONS




**3** Take out parts F1 and F2, and lock the iron frame foot L in the middle according to the figure. Note that there are **2 holes** located on the inner side of the board. Then lock the bed hanging pieces X on the front and rear of the board, with **3 holes** on each side.



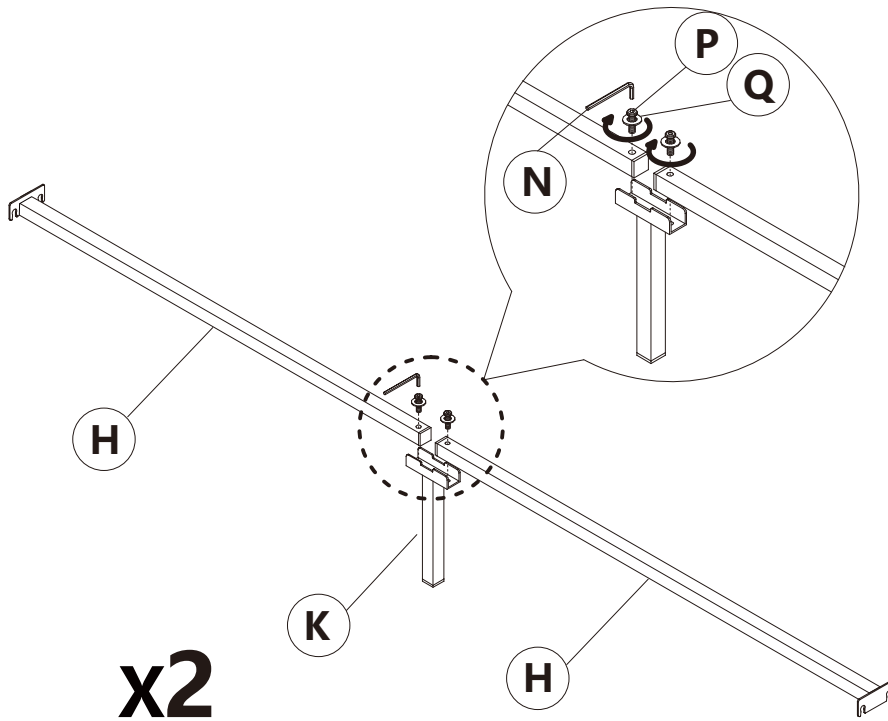
W	M8x14 mm		4pcs
Q	φ8x18x1.5 mm		4pcs
N	M6		1pc

**4** Same as Step 3






W	M8x14 mm		4pcs
Q	φ8x18x1.5 mm		4pcs
N	M6		1pc

## 5

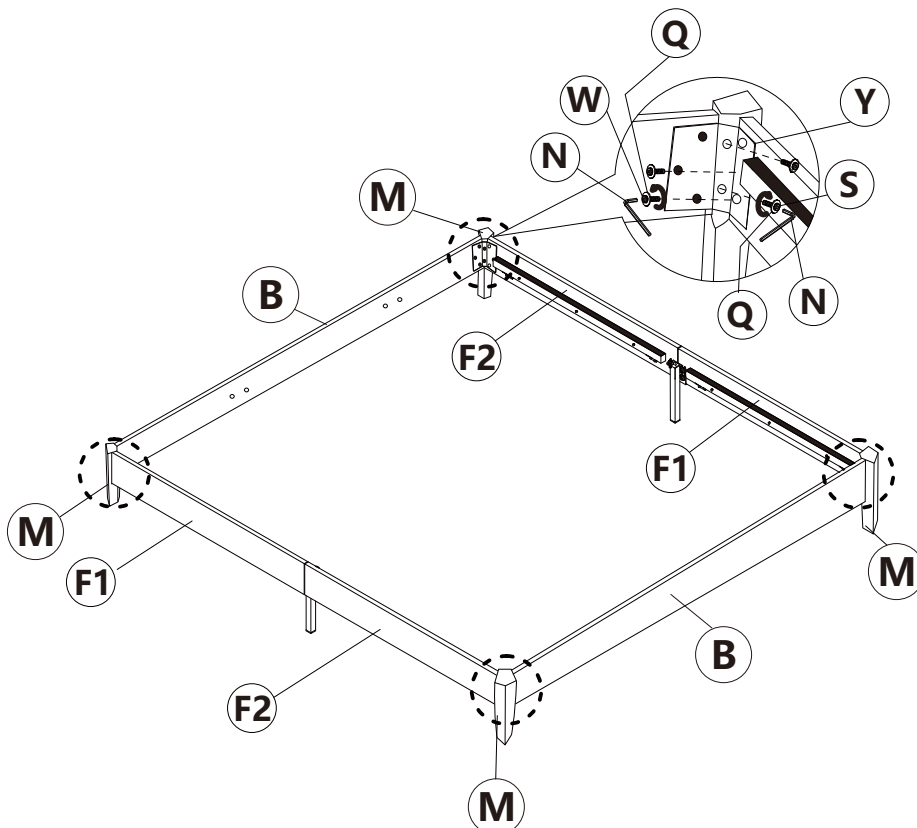






**x2**

P	M8x35 mm		4pcs
Q	φ8x18x1.5 mm		4pcs
N	M6		1pc

## 6

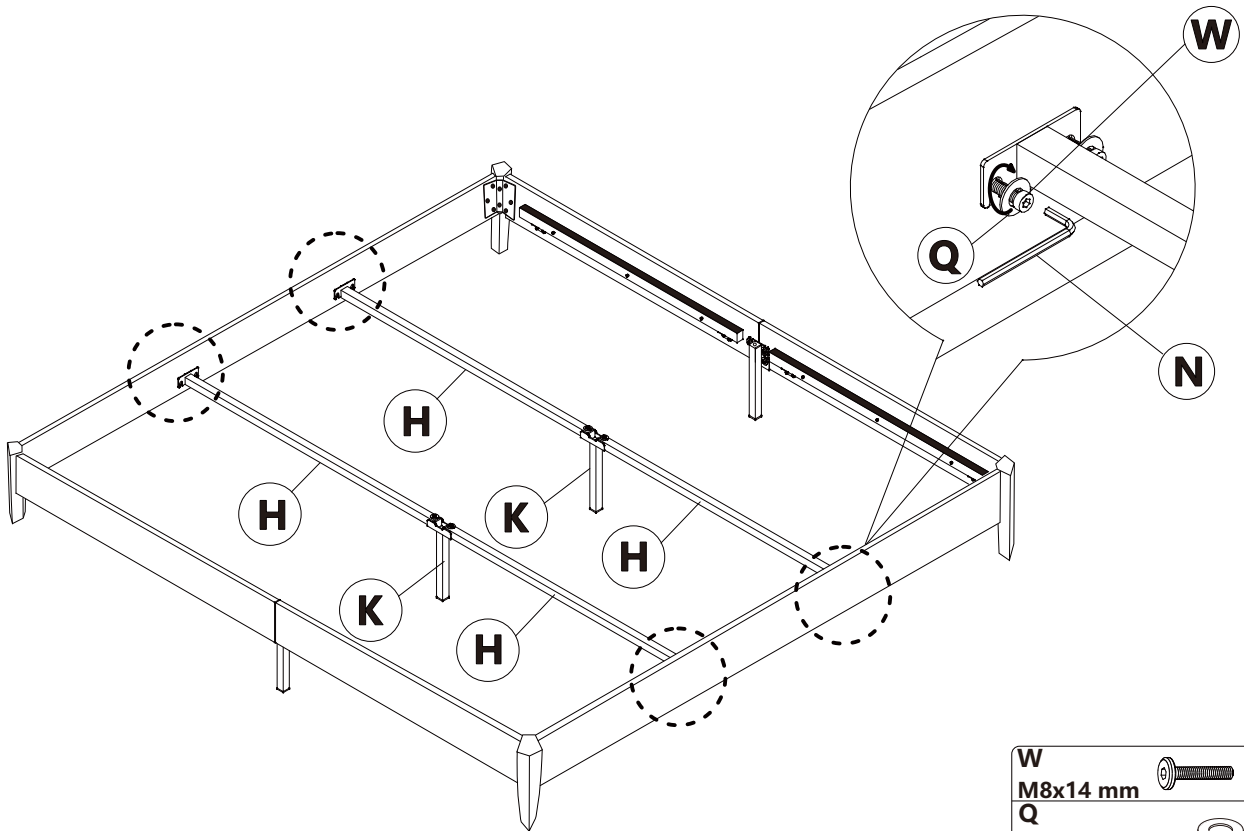
First, attach the part-B to the side panel-F1 and F2 using the connector-Y and screw-W. Lastly, secure the support feet-M to both end of the part-B to complete the step.



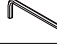


S	M8x25 mm		8pcs
W	M8x14 mm		12pcs
Q	φ8x18x1.5 mm		20pcs
N	M6		1pc

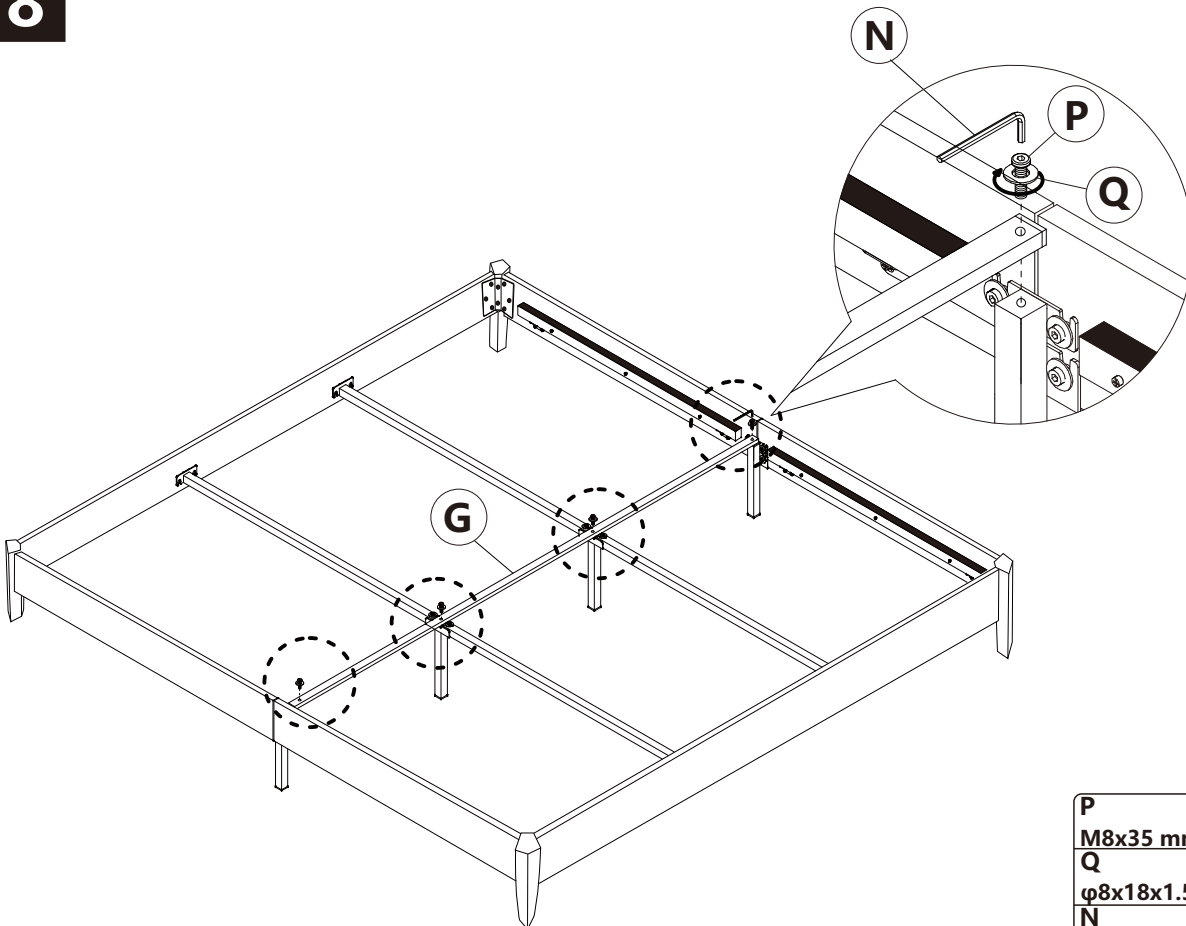





## 7



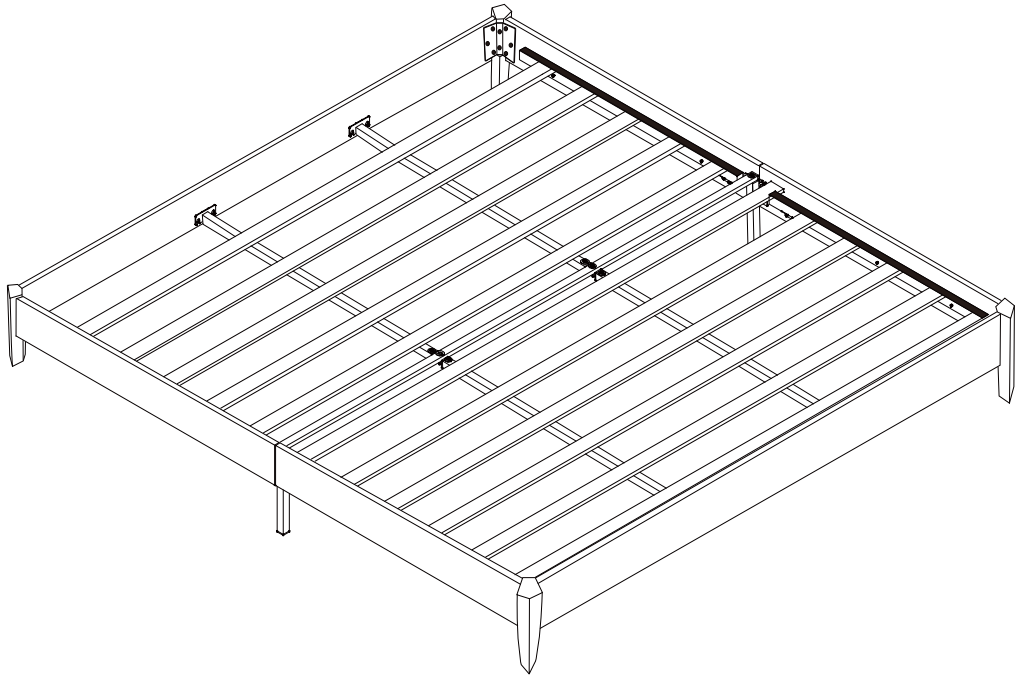
W		8 pcs
M8x14 mm		
Q		8 pcs
φ8x18x1.5 mm		
N		1 pc
M6		

## 8



P		4 pcs
M8x35 mm		
Q		4 pcs
φ8x18x1.5 mm		
N		1 pc
M6		

9



**Installation Complete**