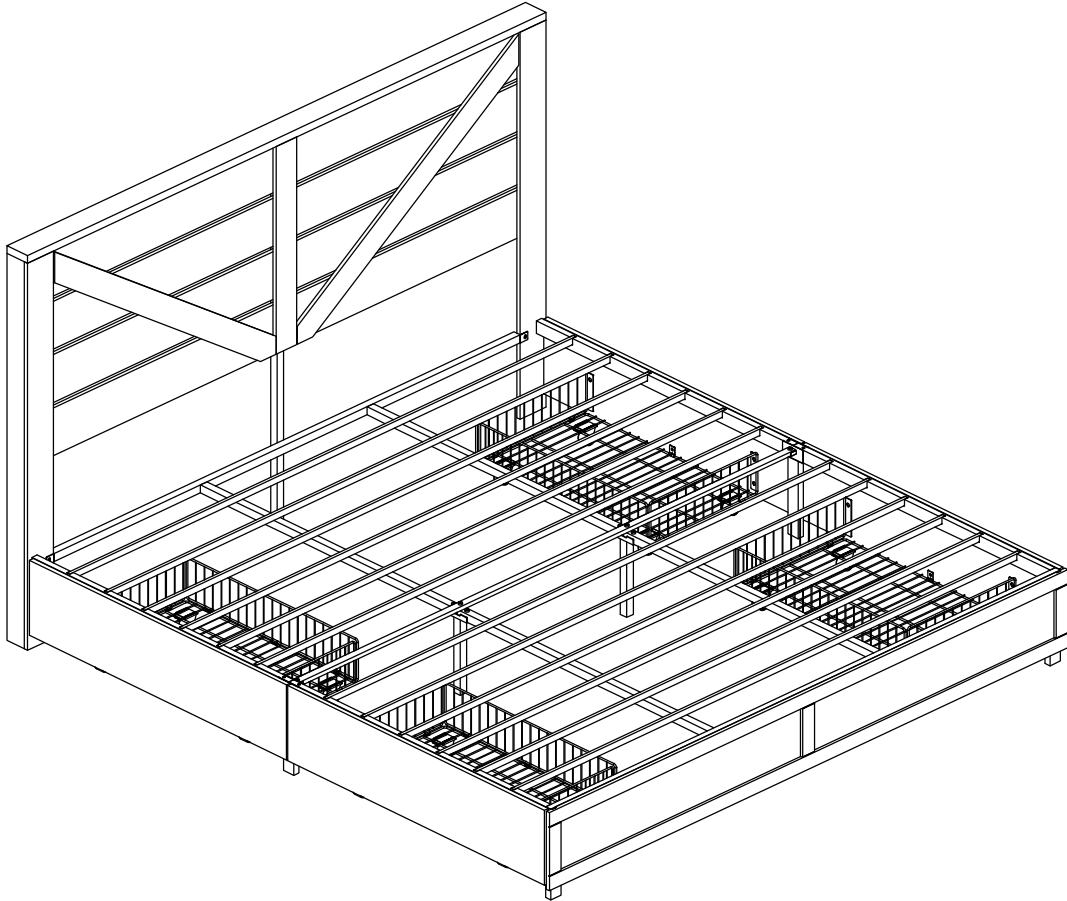


ASSEMBLY INSTRUCTIONS

ASSEMBLY INSTRUCTIONS

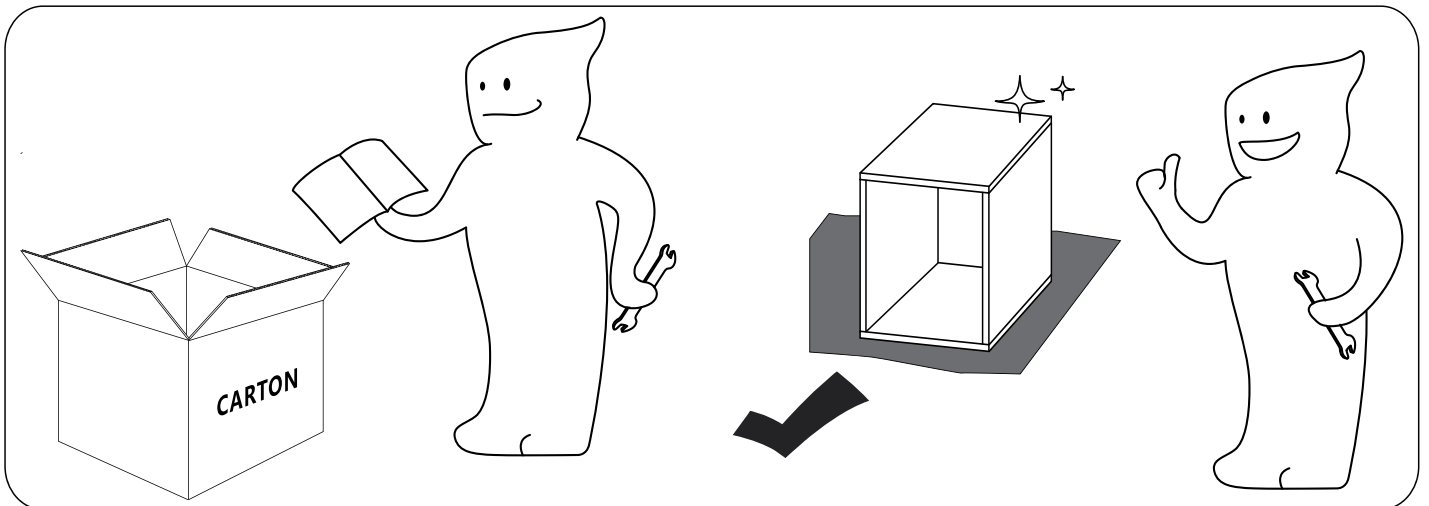
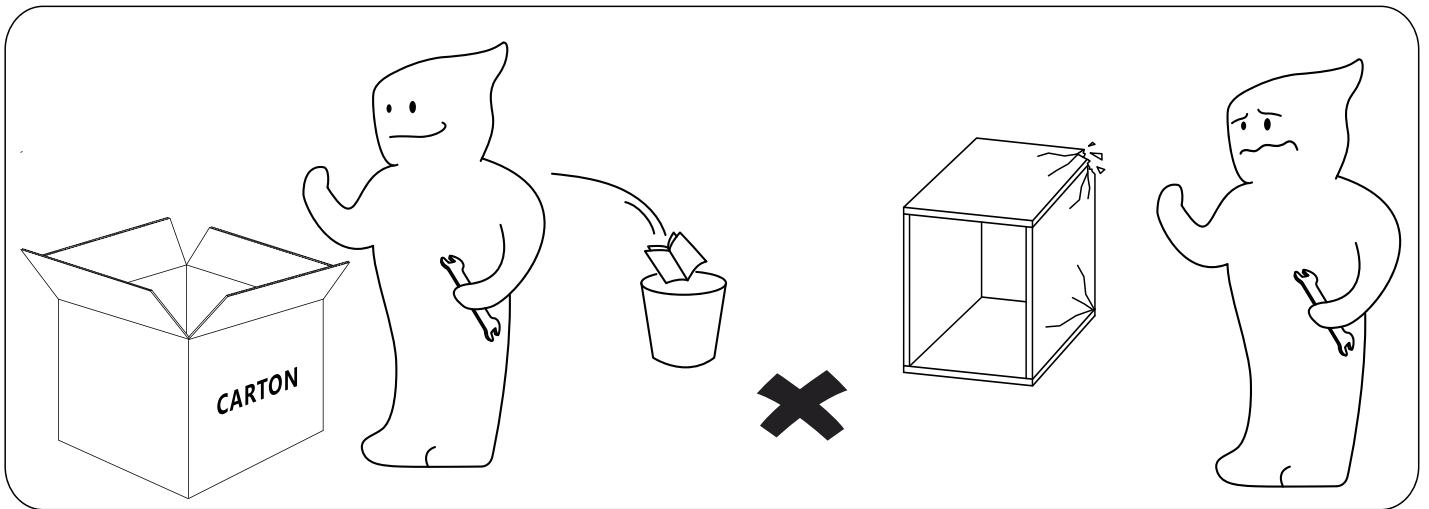


Dear Customers,
Thank you for purchasing our product. Please read this instruction manual carefully after receiving this product. It will help you assemble this product quickly, safely and correctly. You can keep this manual for future reference.
MADE IN CHINA

ASSEMBLY INSTRUCTIONS



Please follow the instruction manuals and use a pad to protect the product during your assembly.



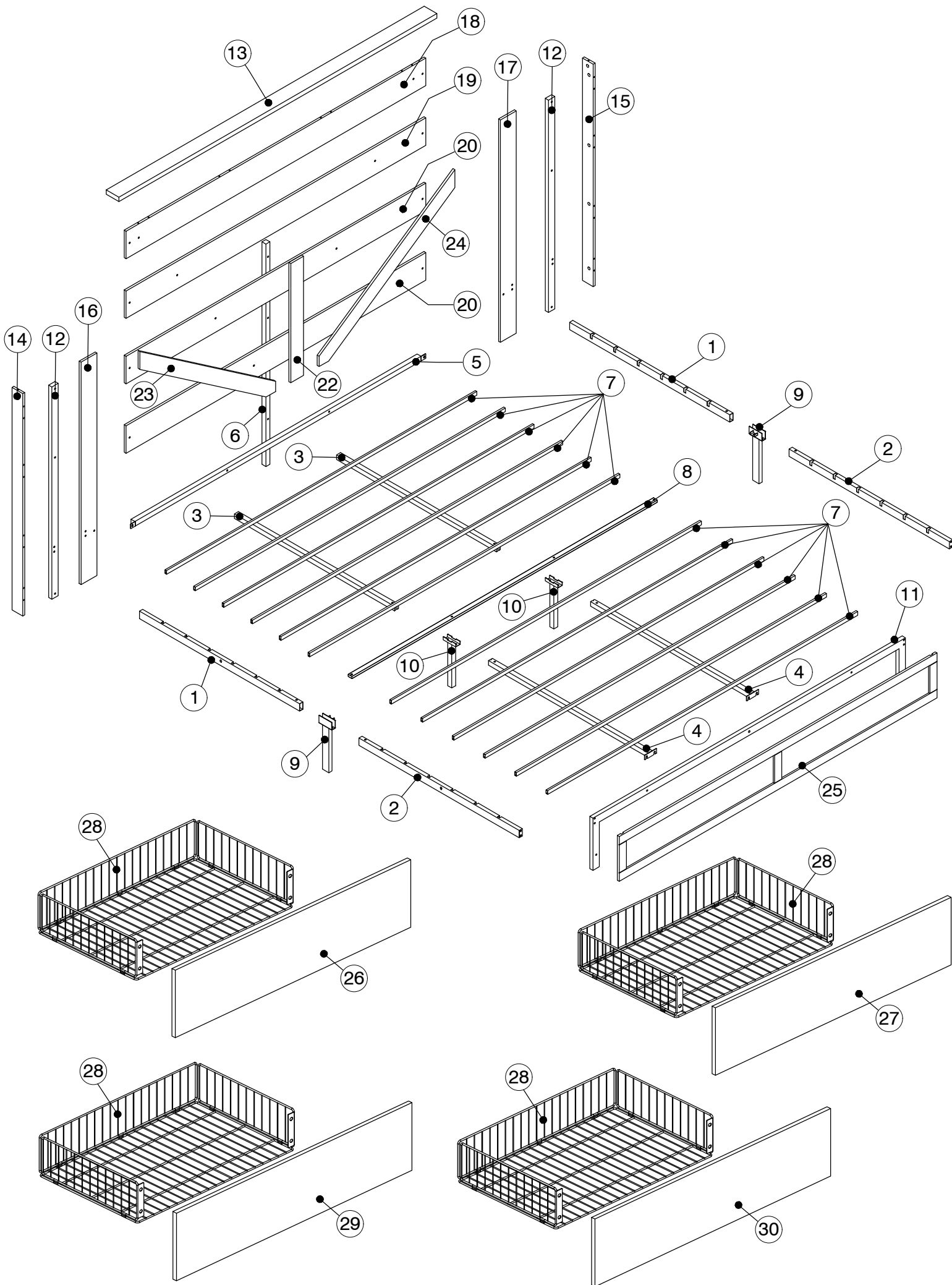
Note:

1. Should be assembled on flat ground to keep balance.
2. Before completing the installation, do not tighten the screws.

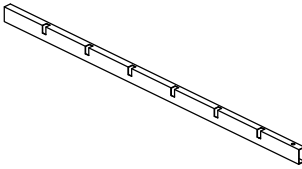
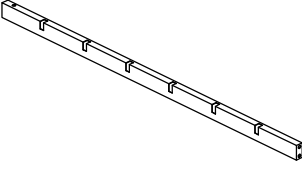
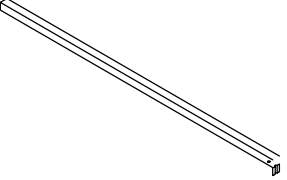
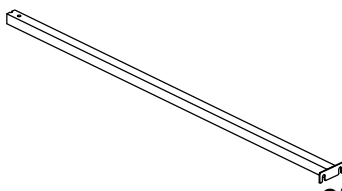
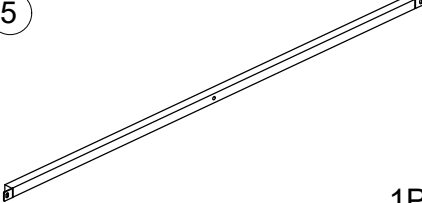
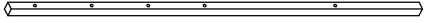
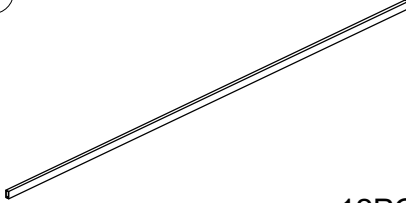
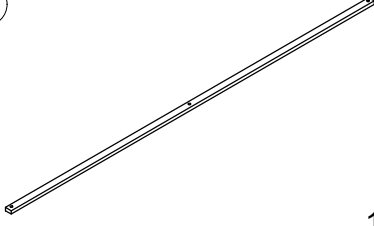

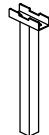
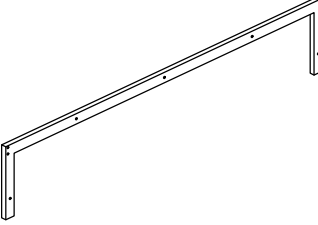

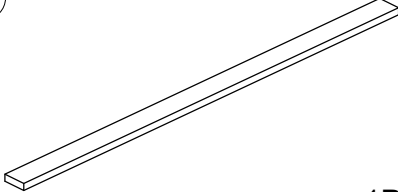
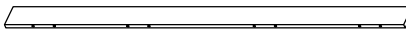

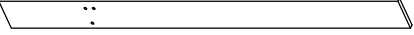
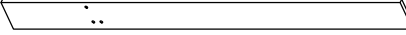
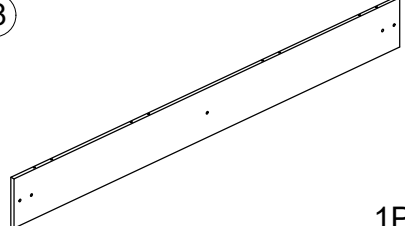
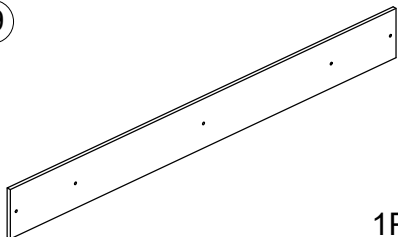
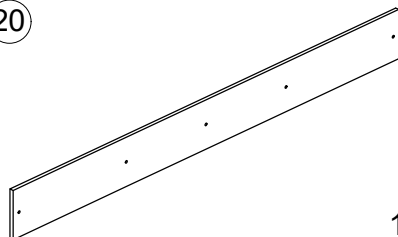
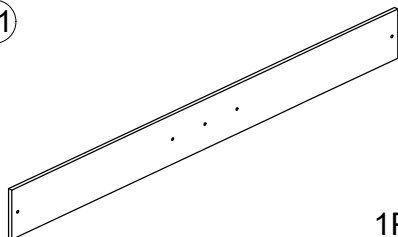

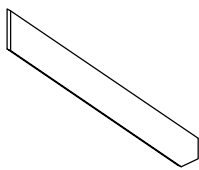
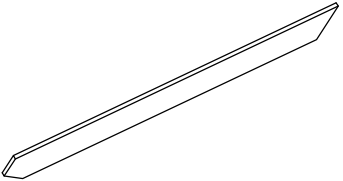


For easier and better assembly, **2** or more adults are required.

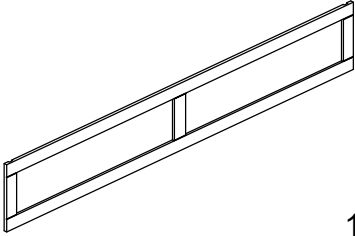
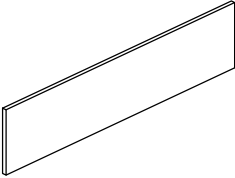
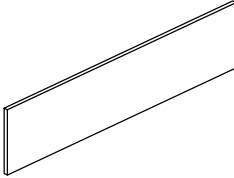
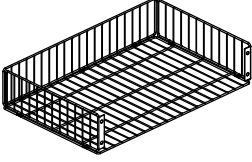
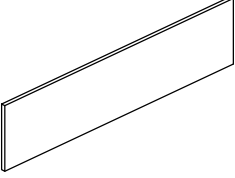
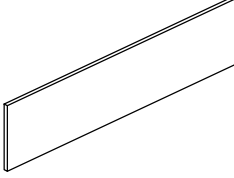
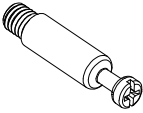


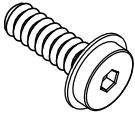
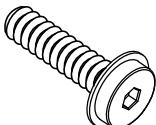
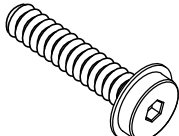
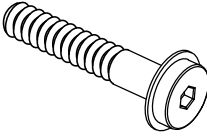
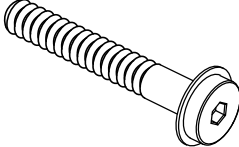
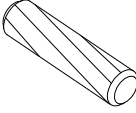
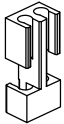
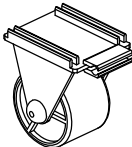

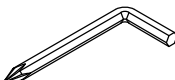
ASSEMBLY INSTRUCTIONS



ASSEMBLY INSTRUCTIONS

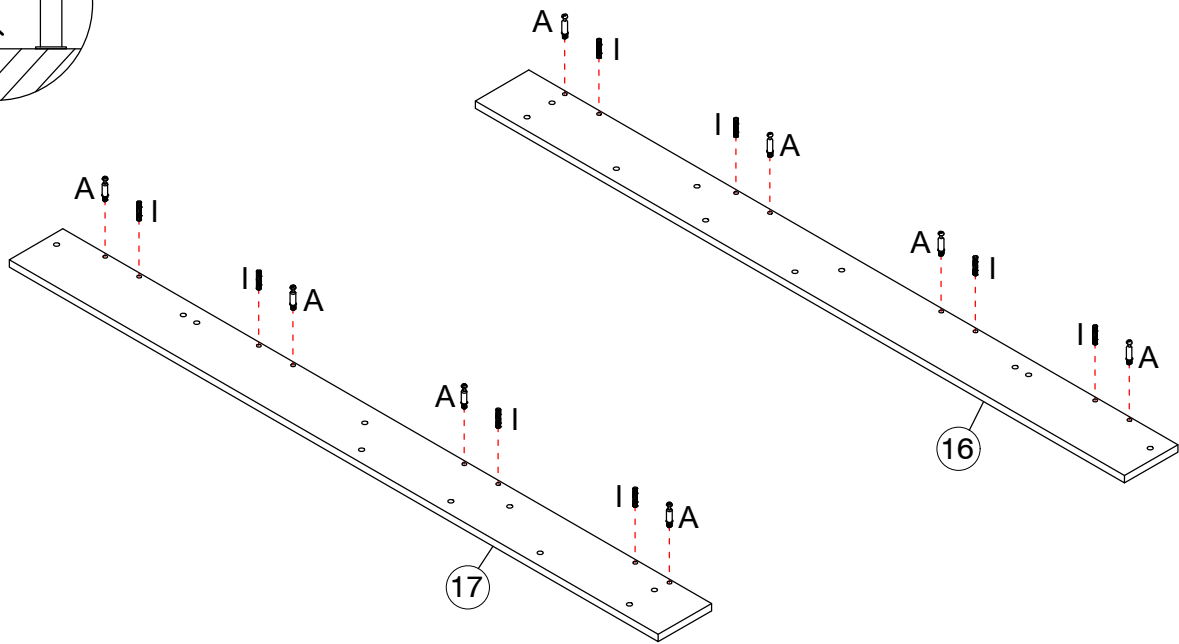
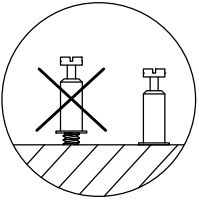
<p>①</p>  <p>2PCS</p>	<p>②</p>  <p>2PCS</p>	<p>③</p>  <p>2PCS</p>
<p>④</p>  <p>2PCS</p>	<p>⑤</p>  <p>1PC</p>	<p>⑥</p>  <p>1PC</p>
<p>⑦</p>  <p>12PCS</p>	<p>⑧</p>  <p>1PC</p>	<p>⑨</p>  <p>2PCS</p>
<p>⑩</p>  <p>2PCS</p>	<p>⑪</p>  <p>1PC</p>	<p>⑫</p>  <p>2PCS</p>
<p>⑬</p>  <p>1PC</p>	<p>⑭</p>  <p>1PC</p>	<p>⑮</p>  <p>1PC</p>
<p>⑯</p>  <p>1PC</p>	<p>⑰</p>  <p>1PC</p>	<p>⑱</p>  <p>1PC</p>
<p>⑲</p>  <p>1PC</p>	<p>⑳</p>  <p>1PC</p>	<p>㉑</p>  <p>1PC</p>
<p>㉒</p>  <p>1PC</p>	<p>㉓</p>  <p>1PC</p>	<p>㉔</p>  <p>1PC</p>

ASSEMBLY INSTRUCTIONS

<p>25</p>  <p>1PC</p>	<p>26</p>  <p>1PC</p>	<p>27</p>  <p>1PC</p>
<p>28</p>  <p>4PCS</p>	<p>29</p>  <p>1PC</p>	<p>30</p>  <p>1PC</p>
<p>A</p>  <p>14PCS</p>	<p>B</p>  <p>14PCS</p>	<p>C</p>  <p>M8*12mm 30PCS+1PC</p>
<p>D</p>  <p>M8*20mm 18PCS+1PC</p>	<p>E</p>  <p>M8*30mm 13PCS+1PC</p>	<p>F</p>  <p>M8*45mm 15PCS+1PC</p>
<p>G</p>  <p>M8*50mm 4PCS</p>	<p>H</p>  <p>M8*65mm 6PCS</p>	<p>I</p>  <p>Ø6*30mm 12PCS</p>
<p>J</p>  <p>8PCS</p>	<p>K</p>  <p>16PCS</p>	<p>L</p>  <p>4PCS</p>
<p>M</p>  <p>M5 1PC</p>		

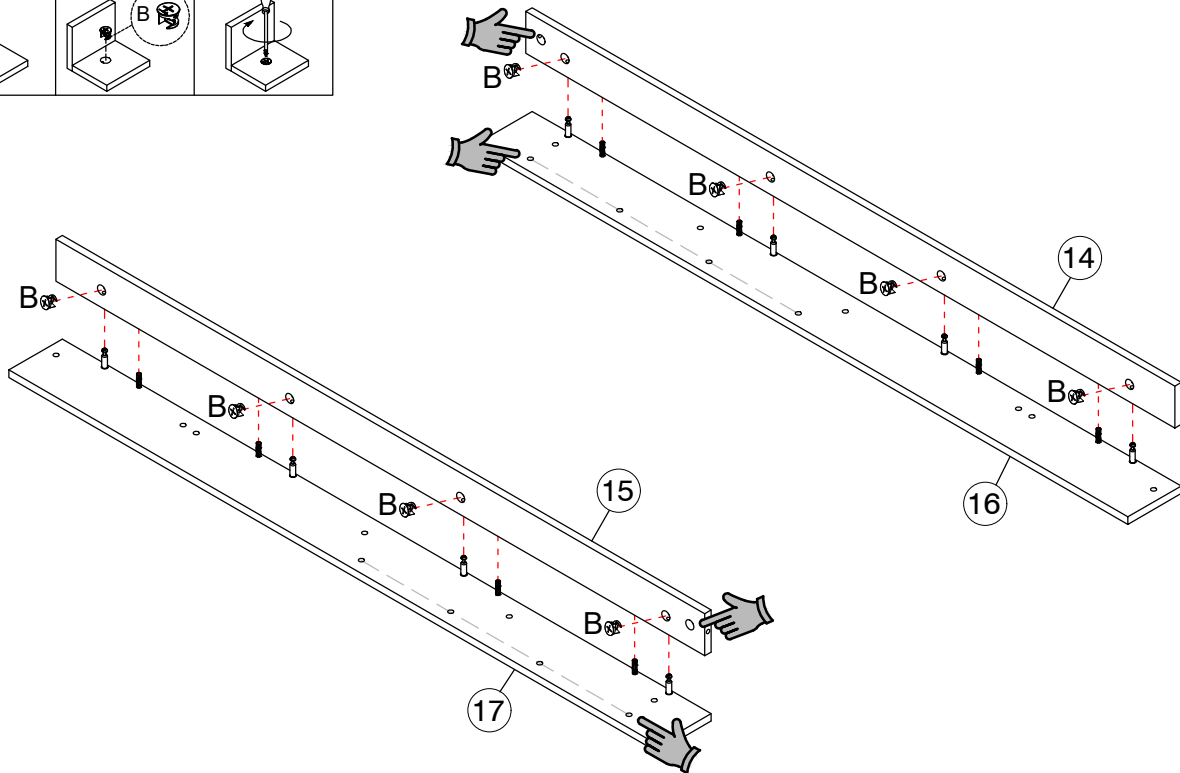
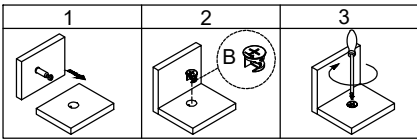
ASSEMBLY INSTRUCTIONS

1



A		8PCS
I		8PCS

2

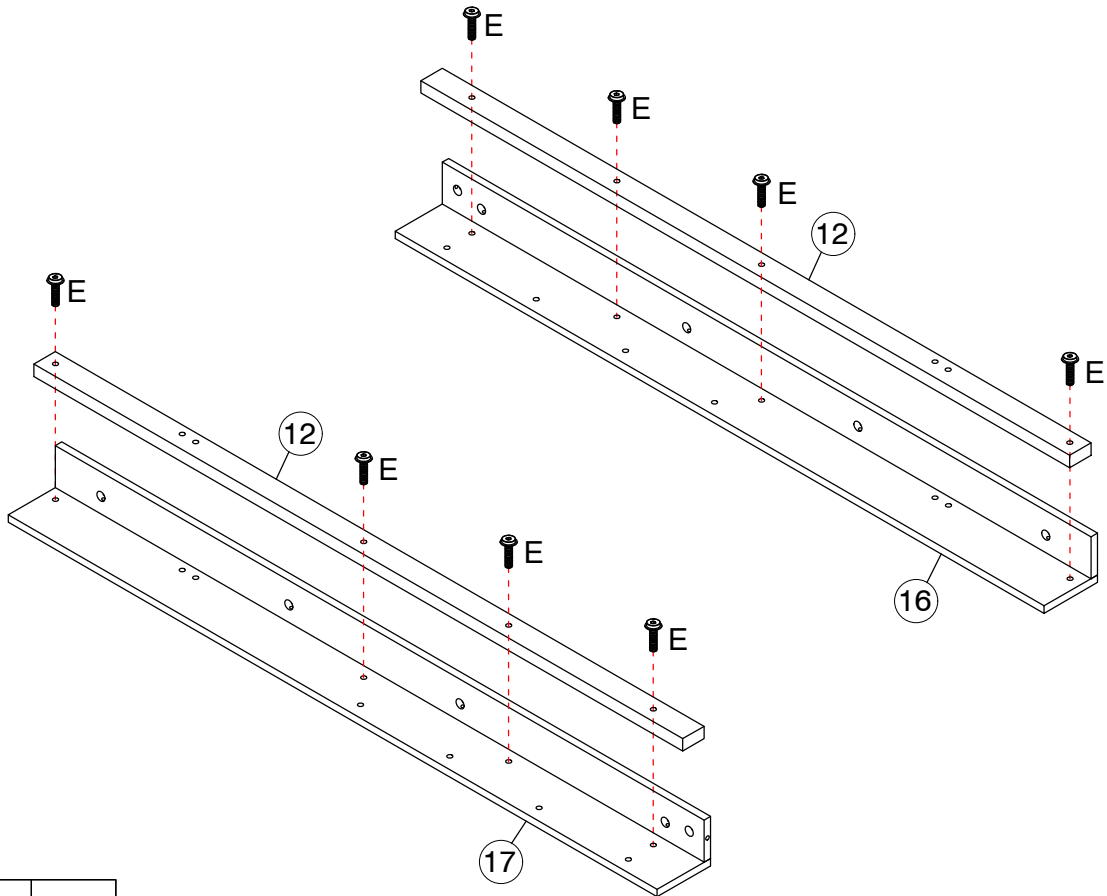



B		8PCS
---	--	------

Please note the direction of the marked holes as shown in the figure.

ASSEMBLY INSTRUCTIONS

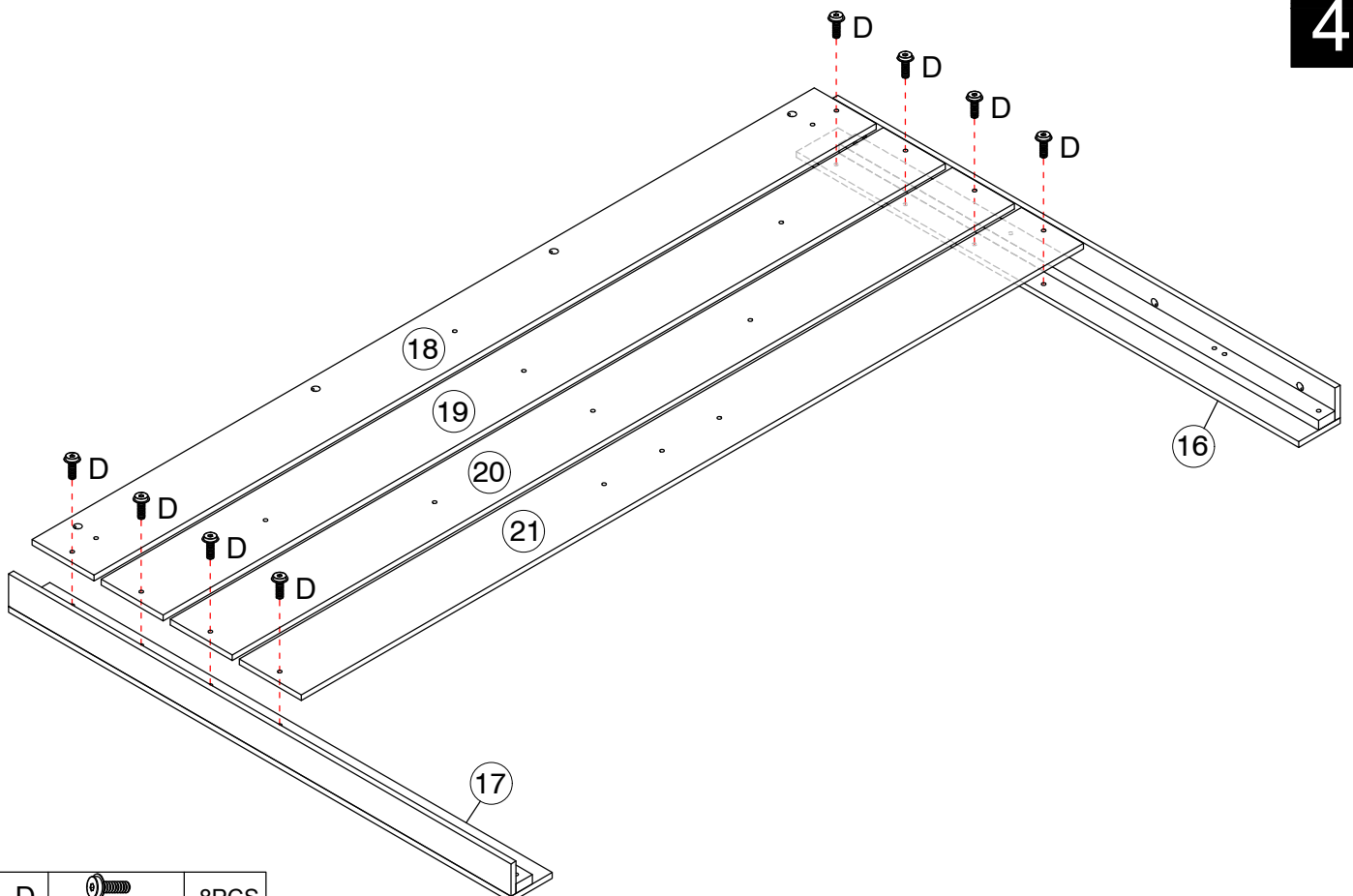
3



E		8PCS
---	---	------

M8*30mm

4

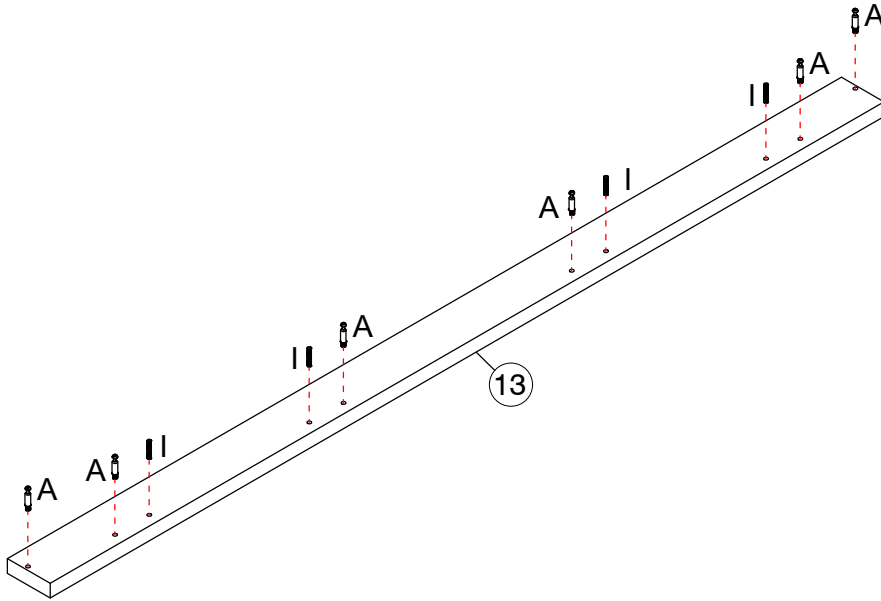
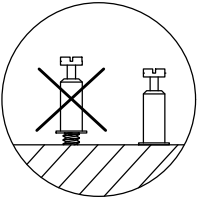


D		8PCS
---	---	------

M8*20mm

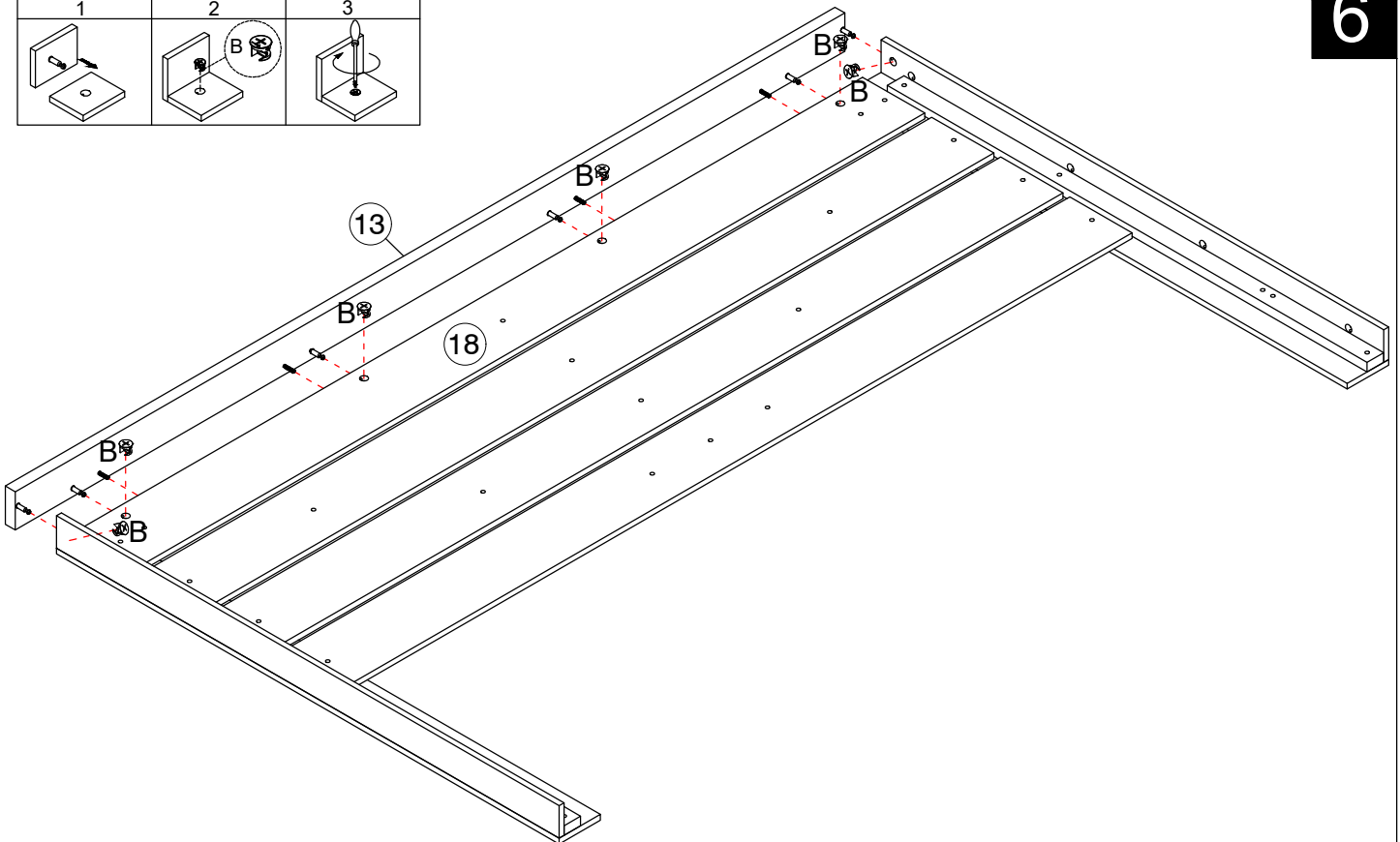
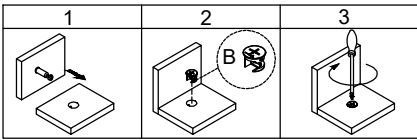
ASSEMBLY INSTRUCTIONS

5



A		6PCS
I		4PCS

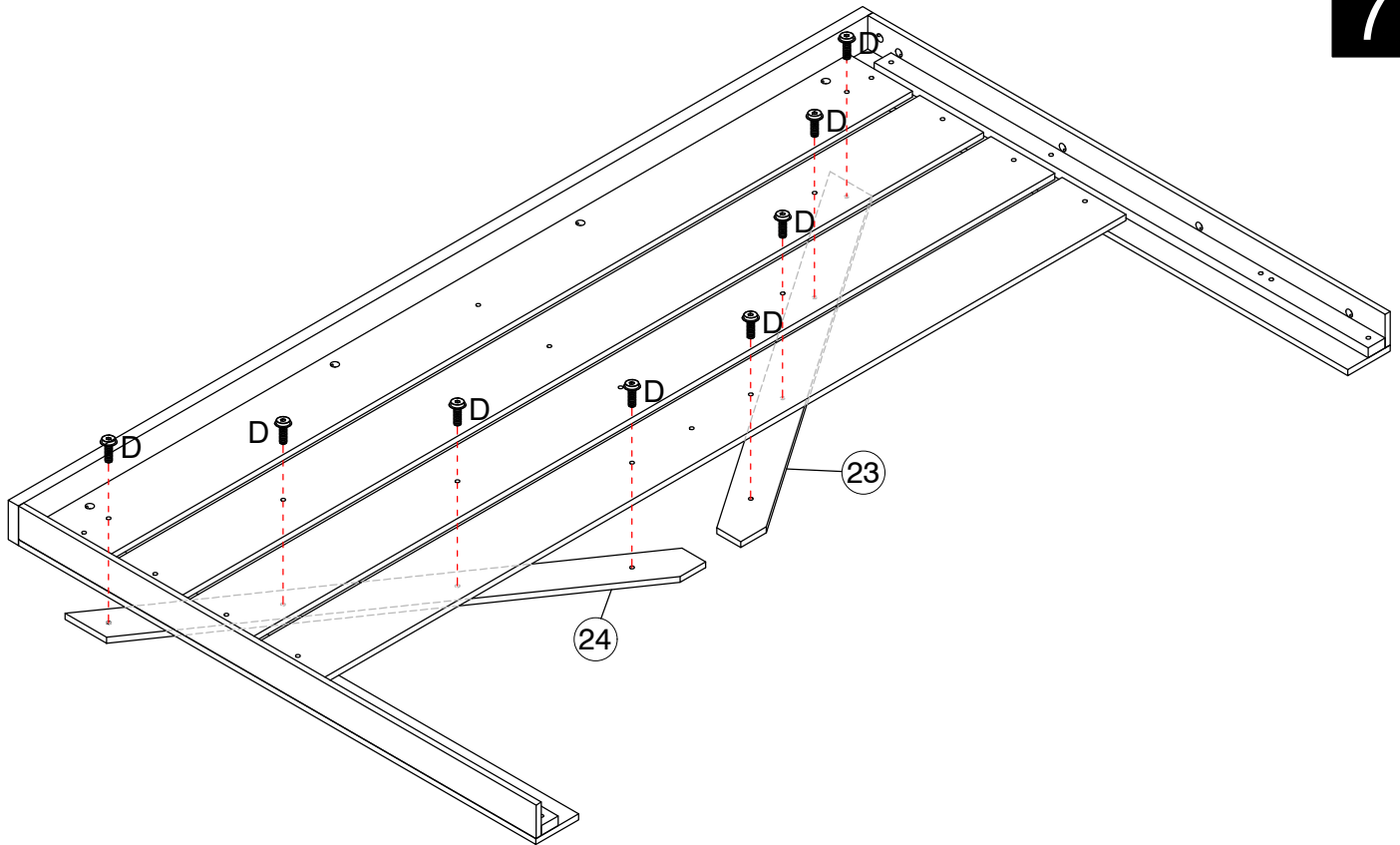
6



B		6PCS
---	--	------

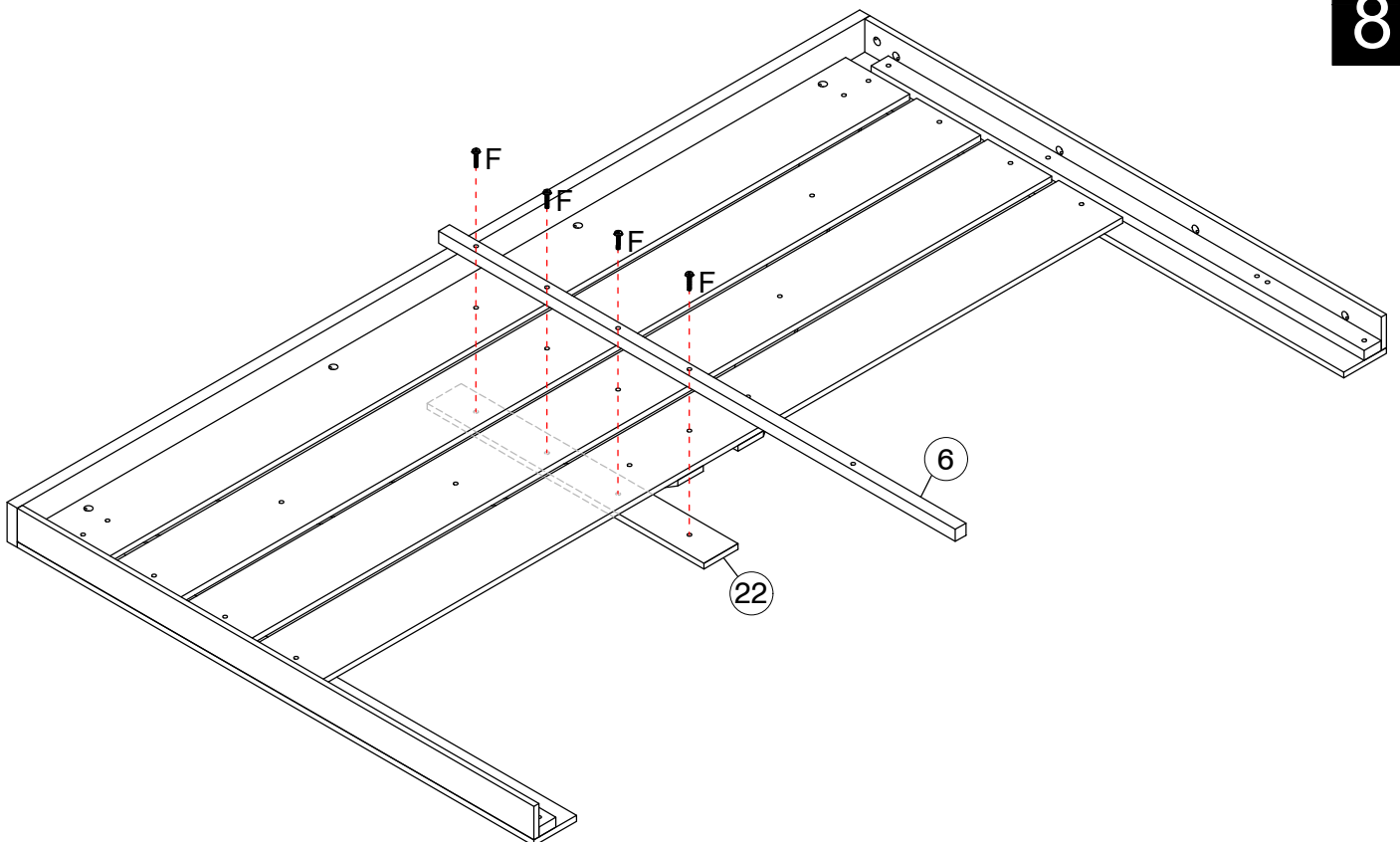
ASSEMBLY INSTRUCTIONS


7



D		M8*20mm	8PCS
---	---	---------	------

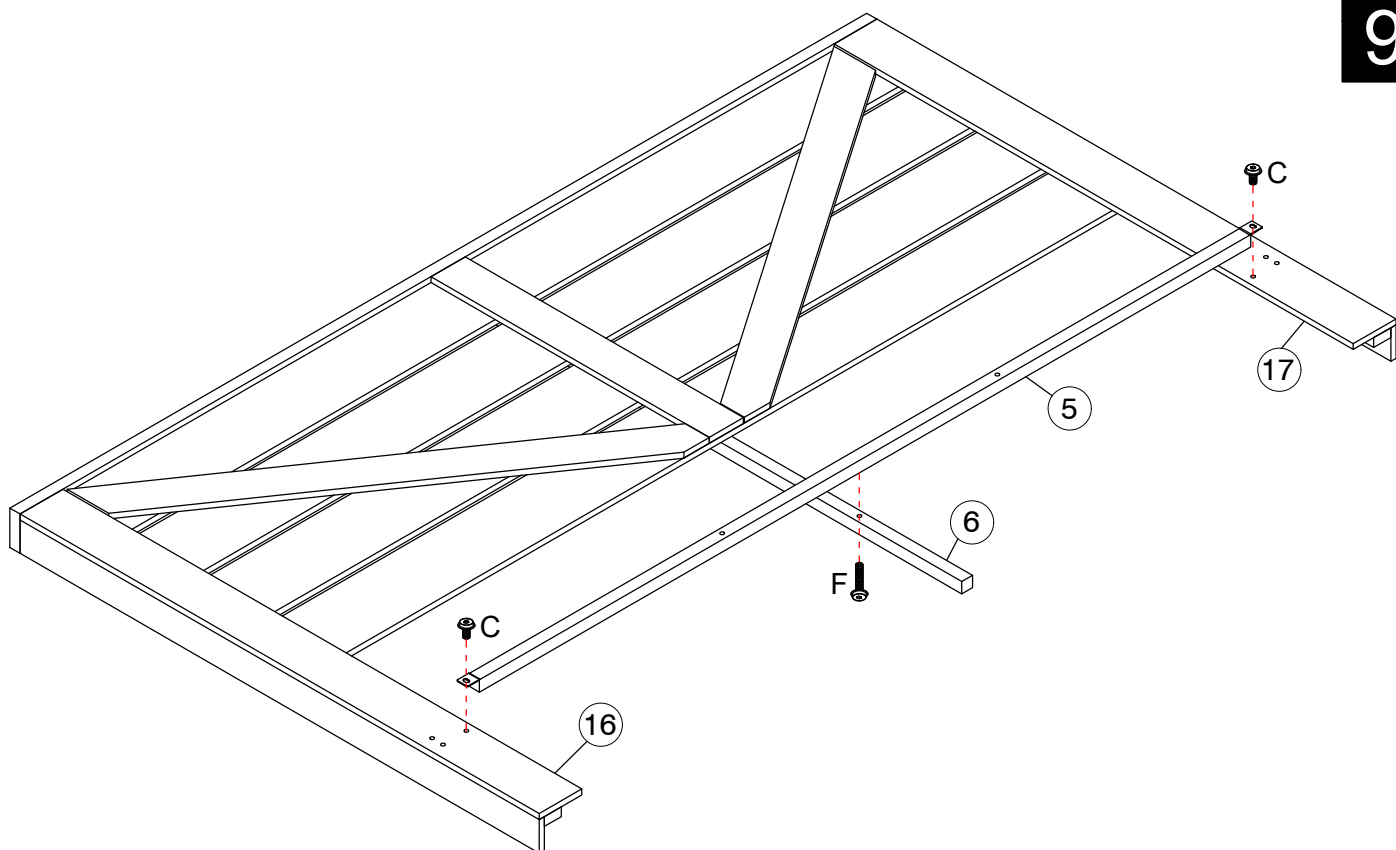
8



F		M8*45mm	4PCS
---	---	---------	------

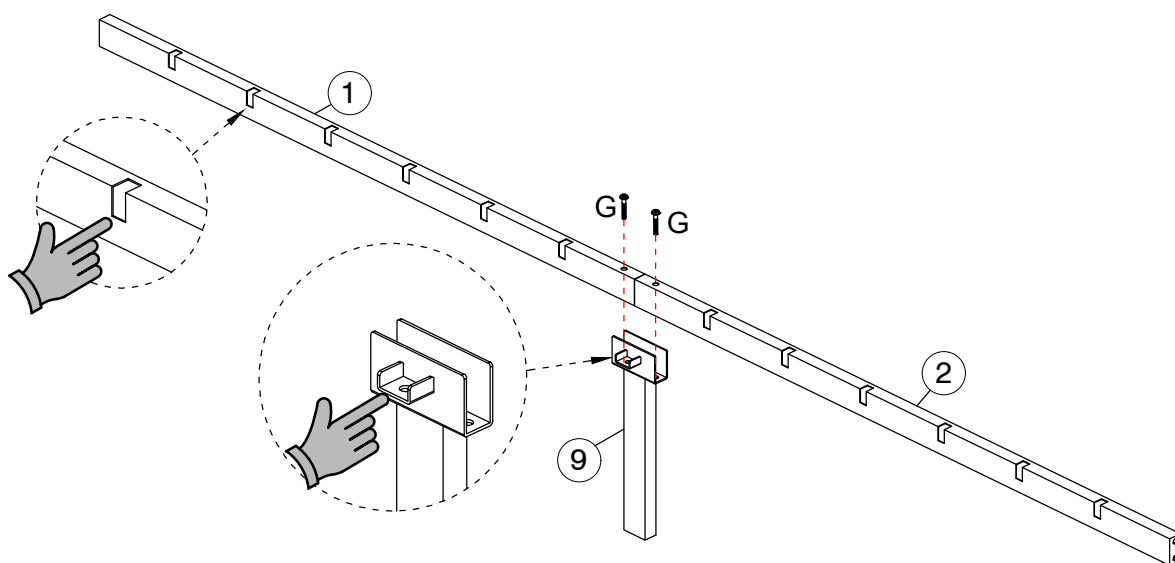
ASSEMBLY INSTRUCTIONS


9



F	 M8*45mm	1PC
C	 M8*12mm	2PCS

10



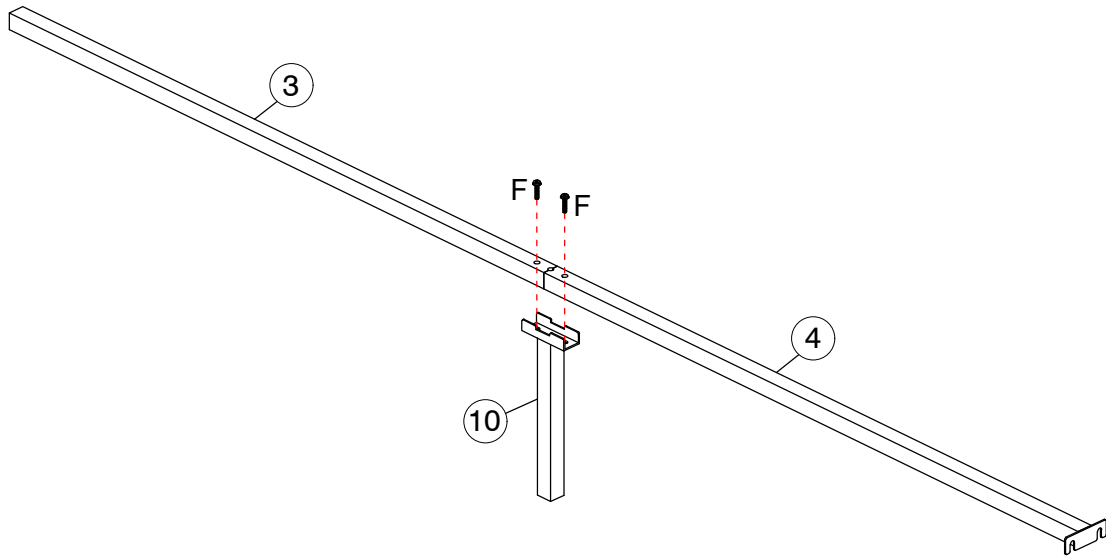
G	 M8*50mm	4PCS
---	---	------


Please note that the grooves on parts 1, 2, and 9 are facing the same direction.

x2

ASSEMBLY INSTRUCTIONS

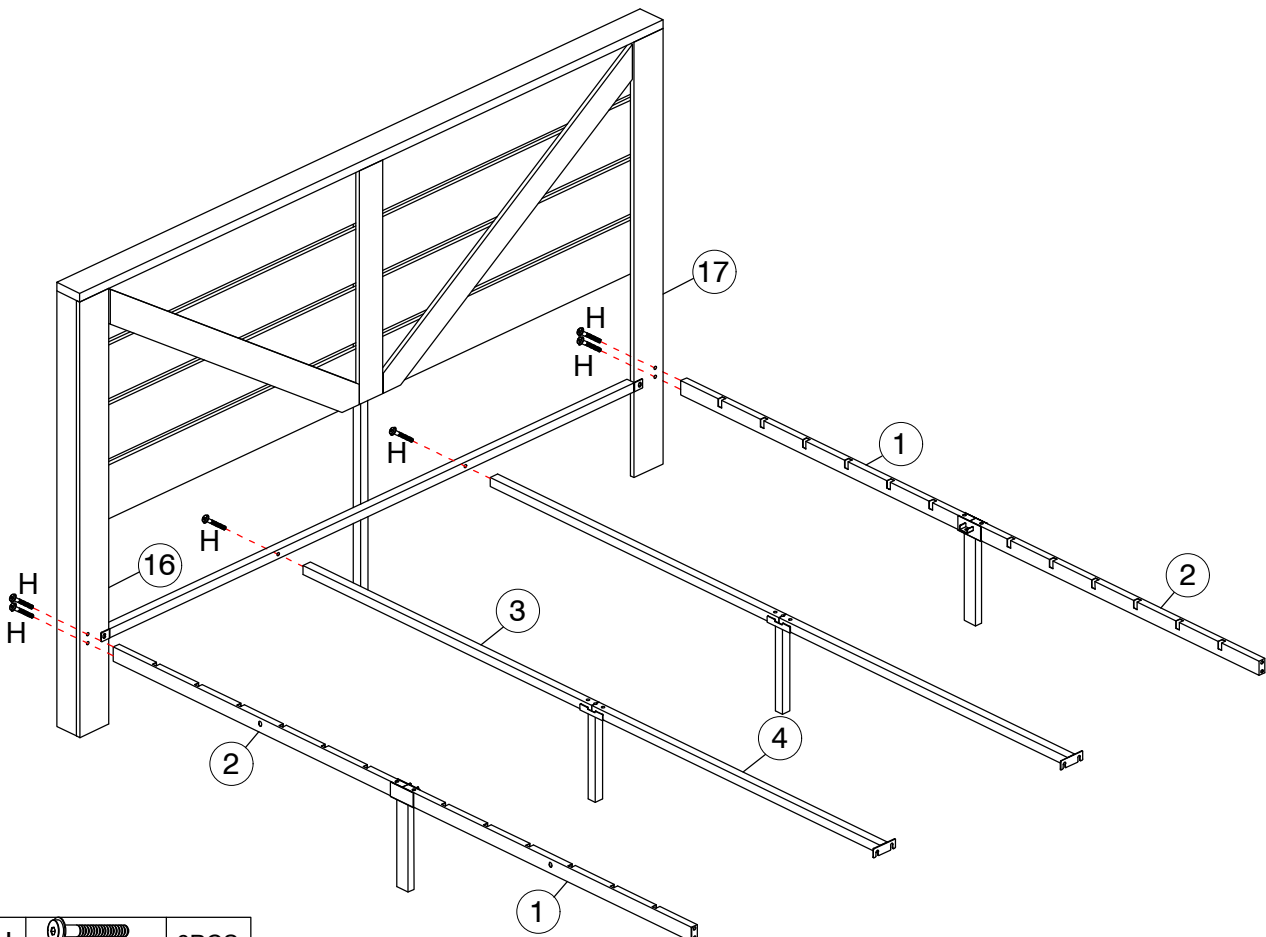
11

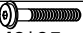


F  M8*45mm 4PCS

x2

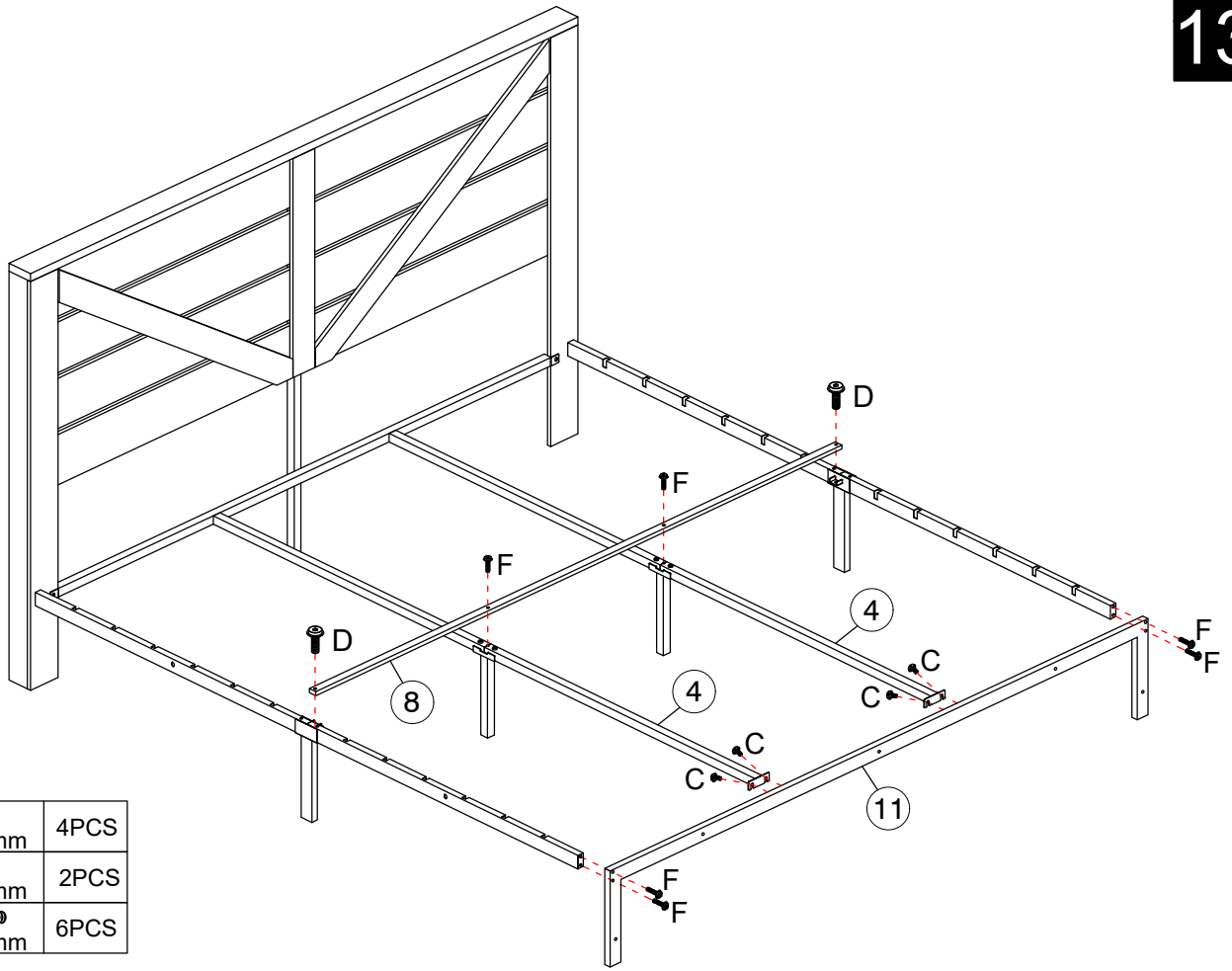
12






H  M8*65mm 6PCS

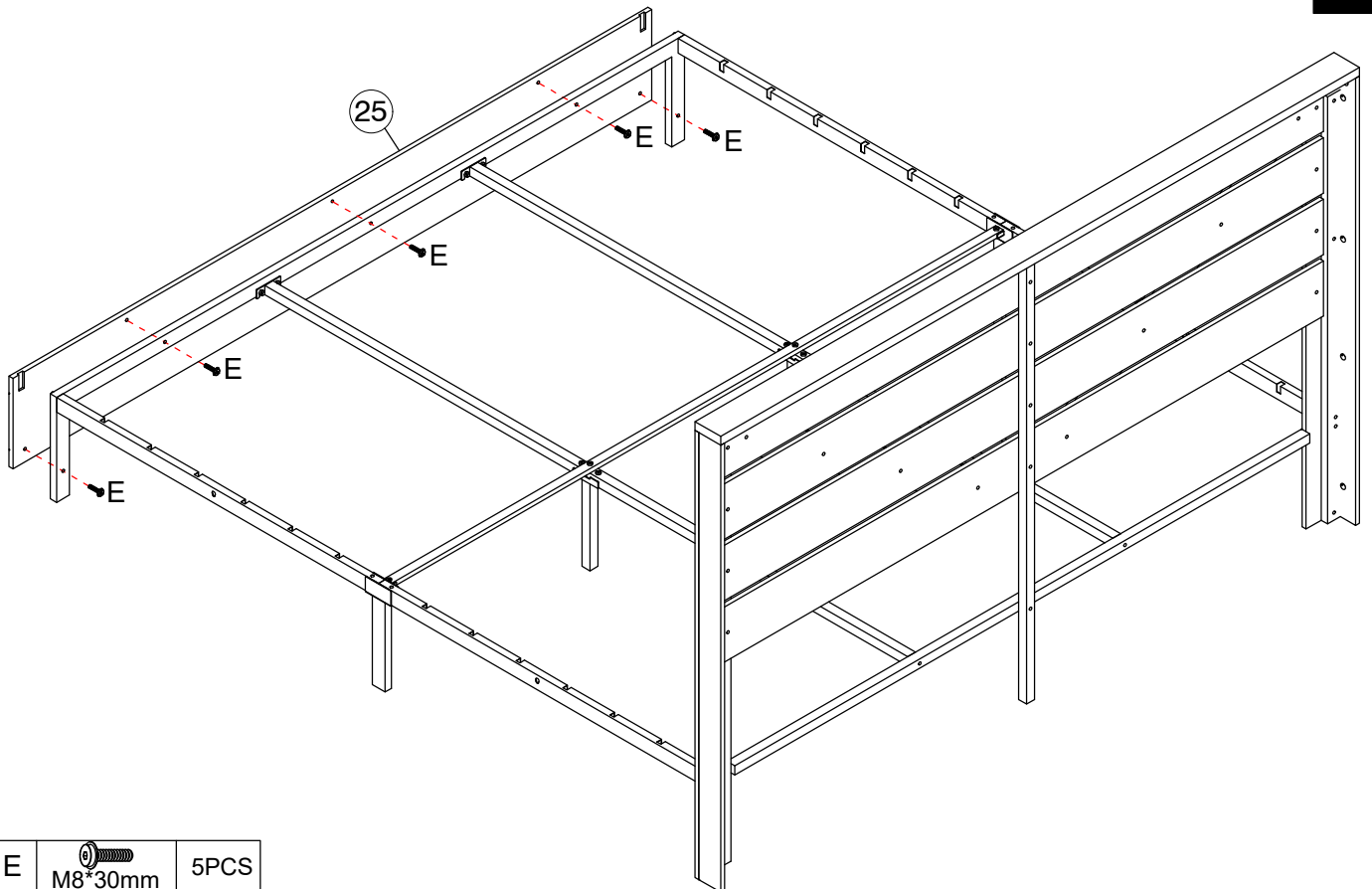
ASSEMBLY INSTRUCTIONS

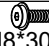
13

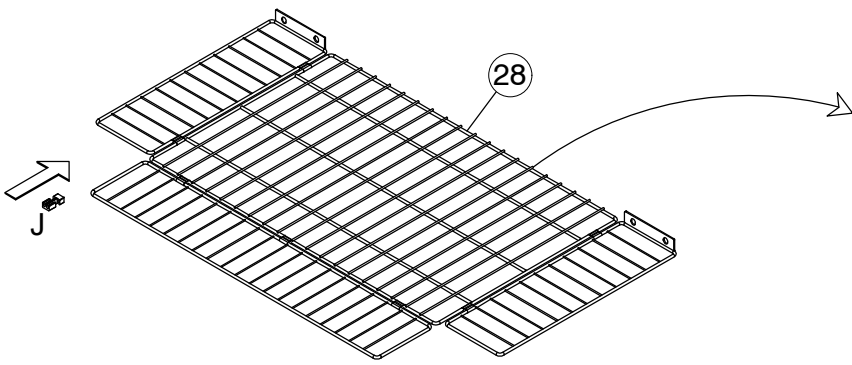
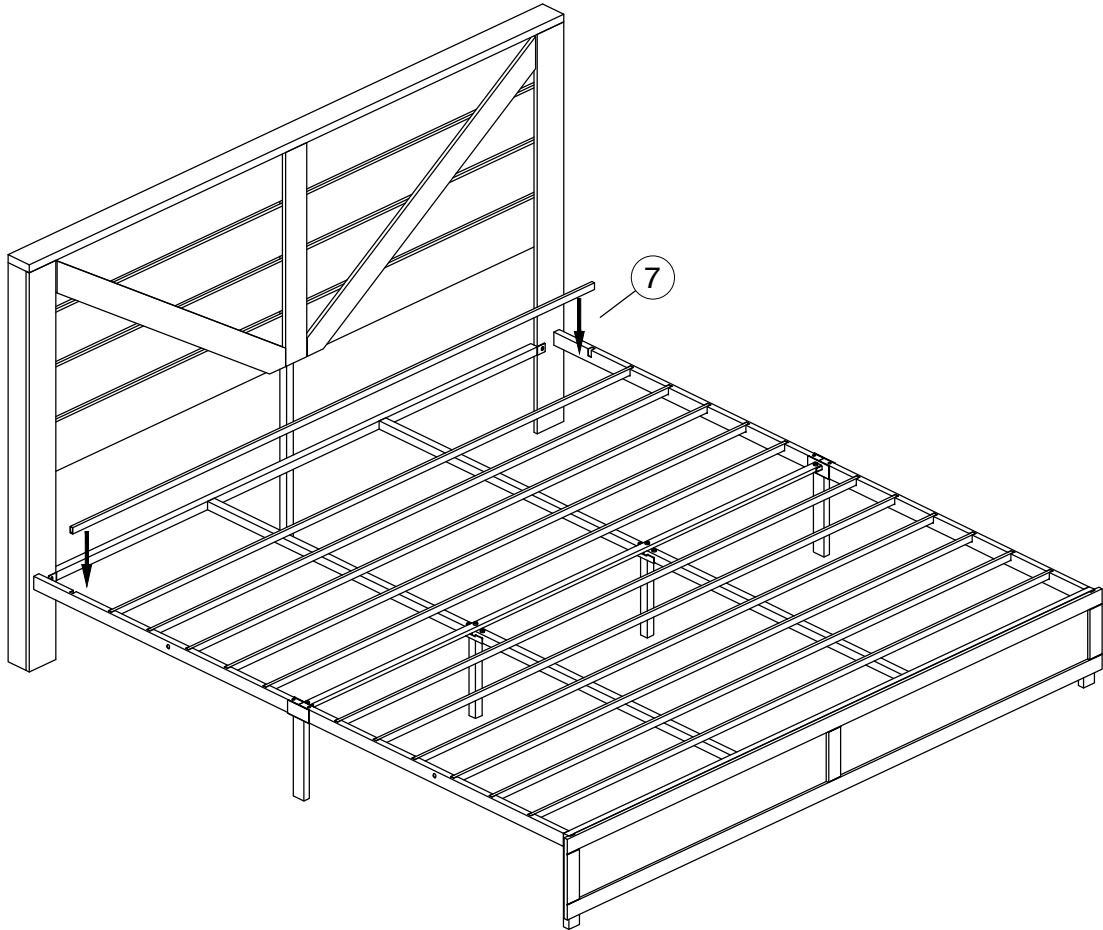


C	 M8*12mm	4PCS
D	 M8*20mm	2PCS
F	 M8*45mm	6PCS

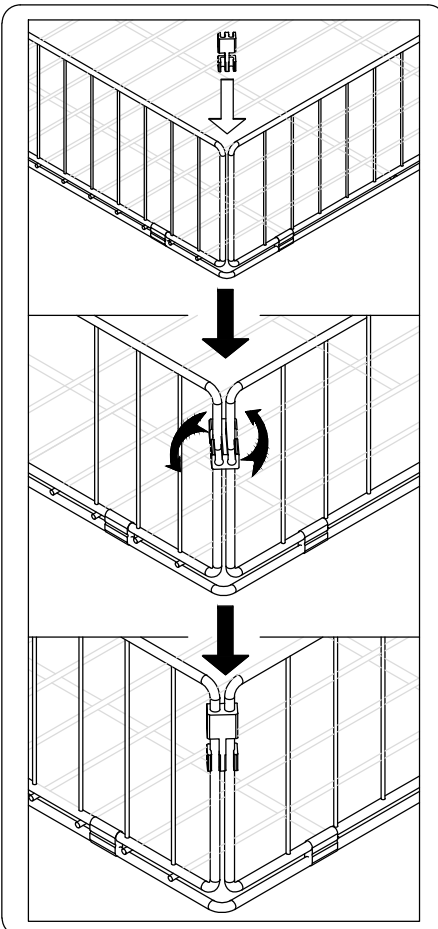
14



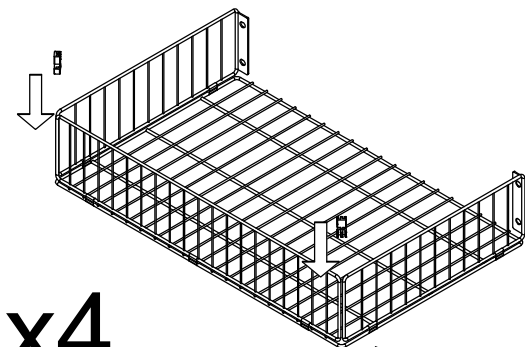
E	 M8*30mm	5PCS
---	---	------



The plastic buckle (J) is placed between the two wires as shown.



The plastic buckle rotates into wires.

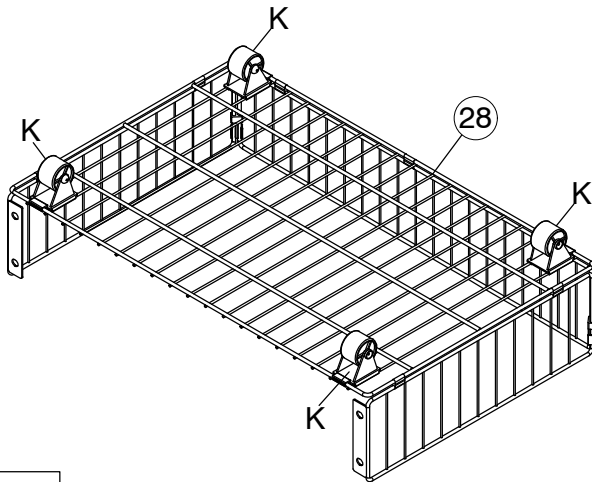
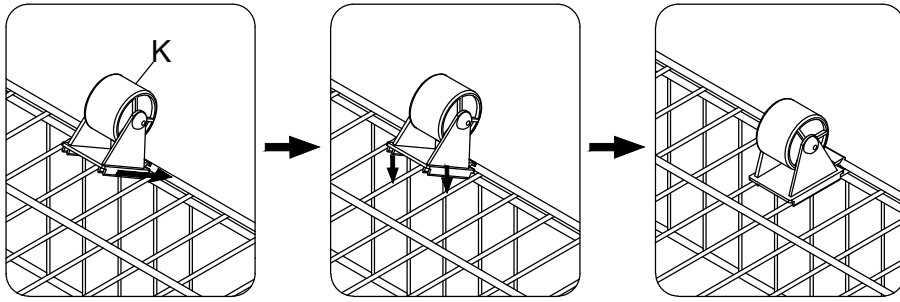


x4



ASSEMBLY INSTRUCTIONS

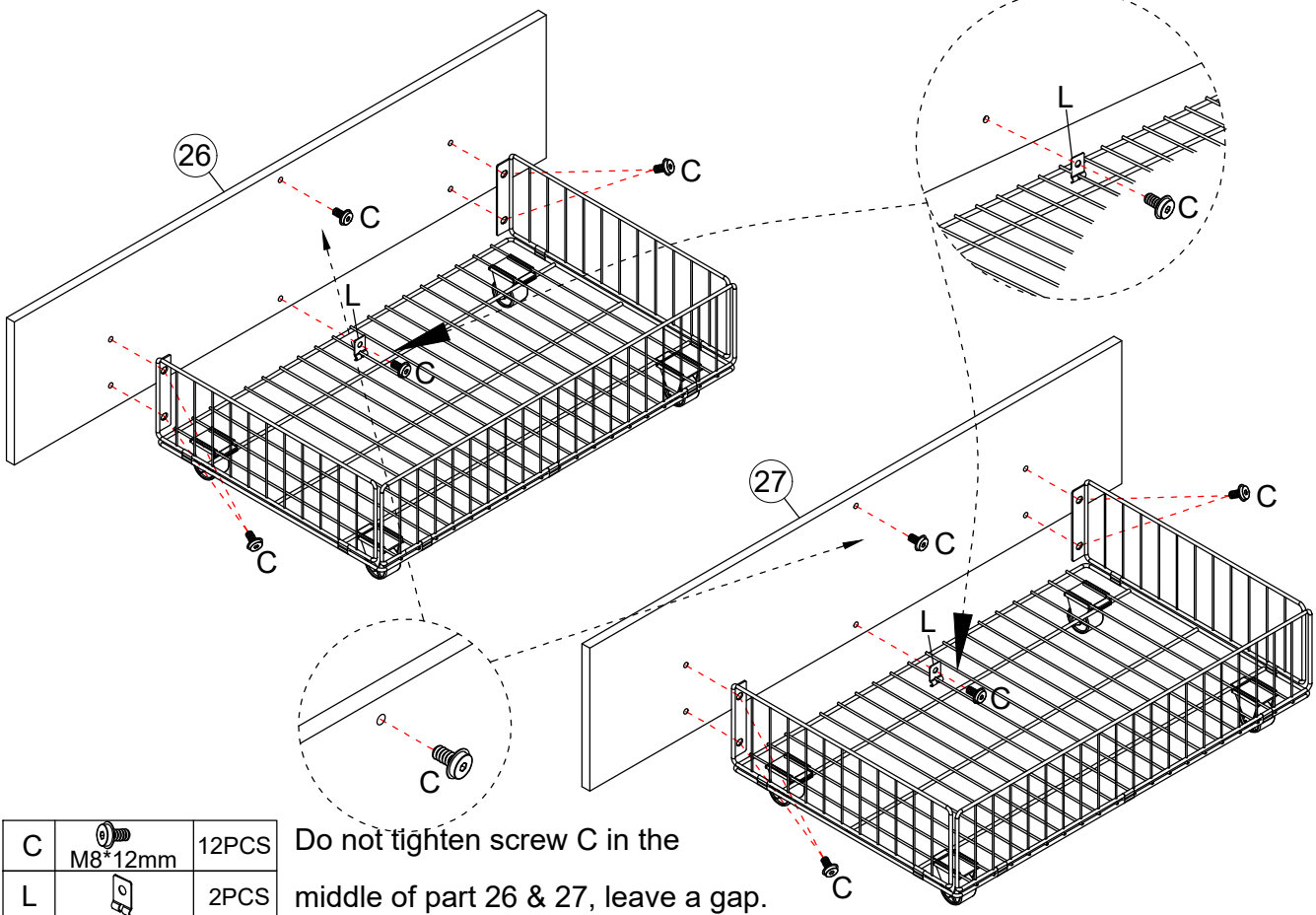
17

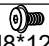



K		16PCS
---	---	-------

x4

18

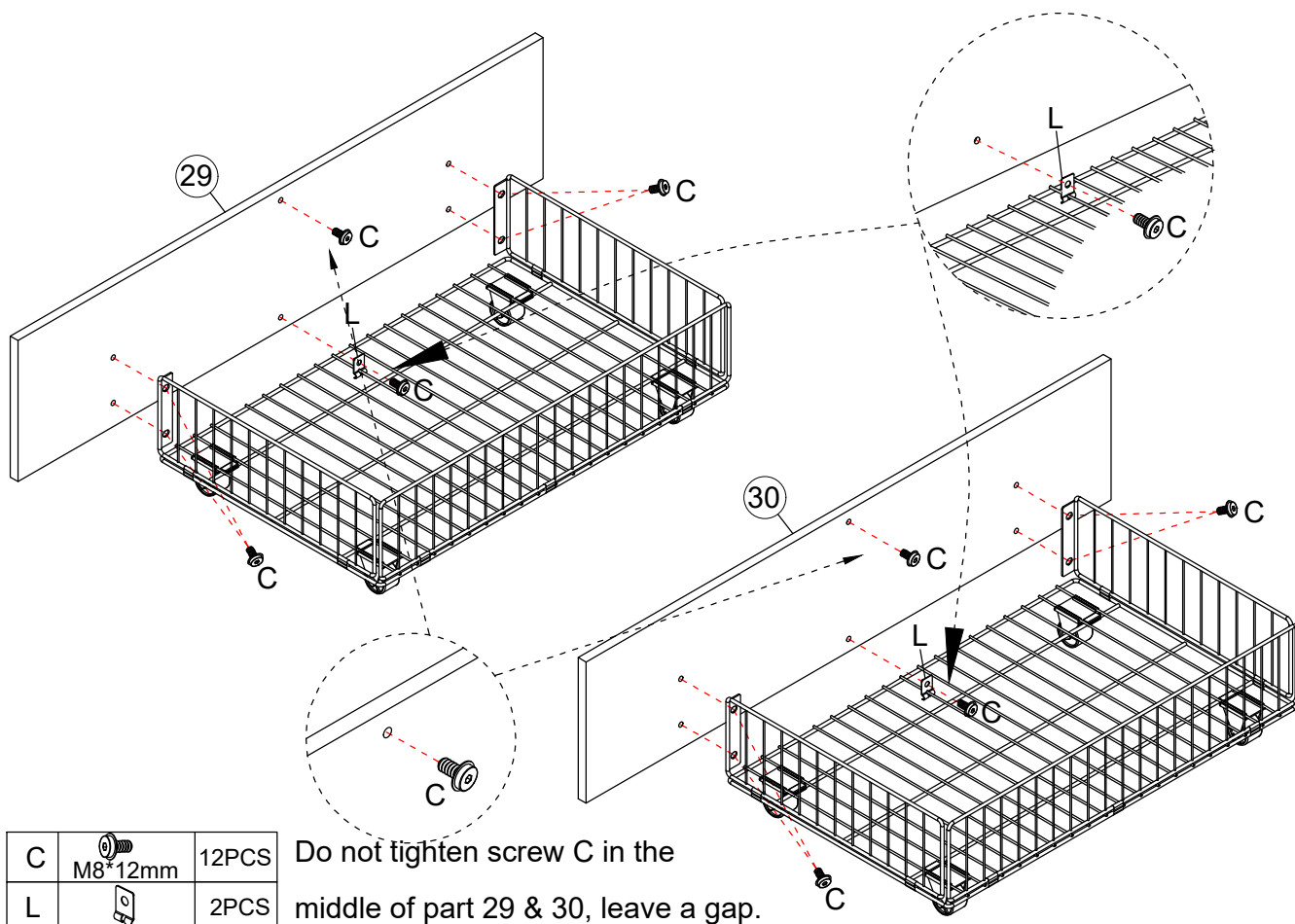


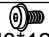

C		M8*12mm	12PCS
L			2PCS

Do not tighten screw C in the middle of part 26 & 27, leave a gap.

ASSEMBLY INSTRUCTIONS

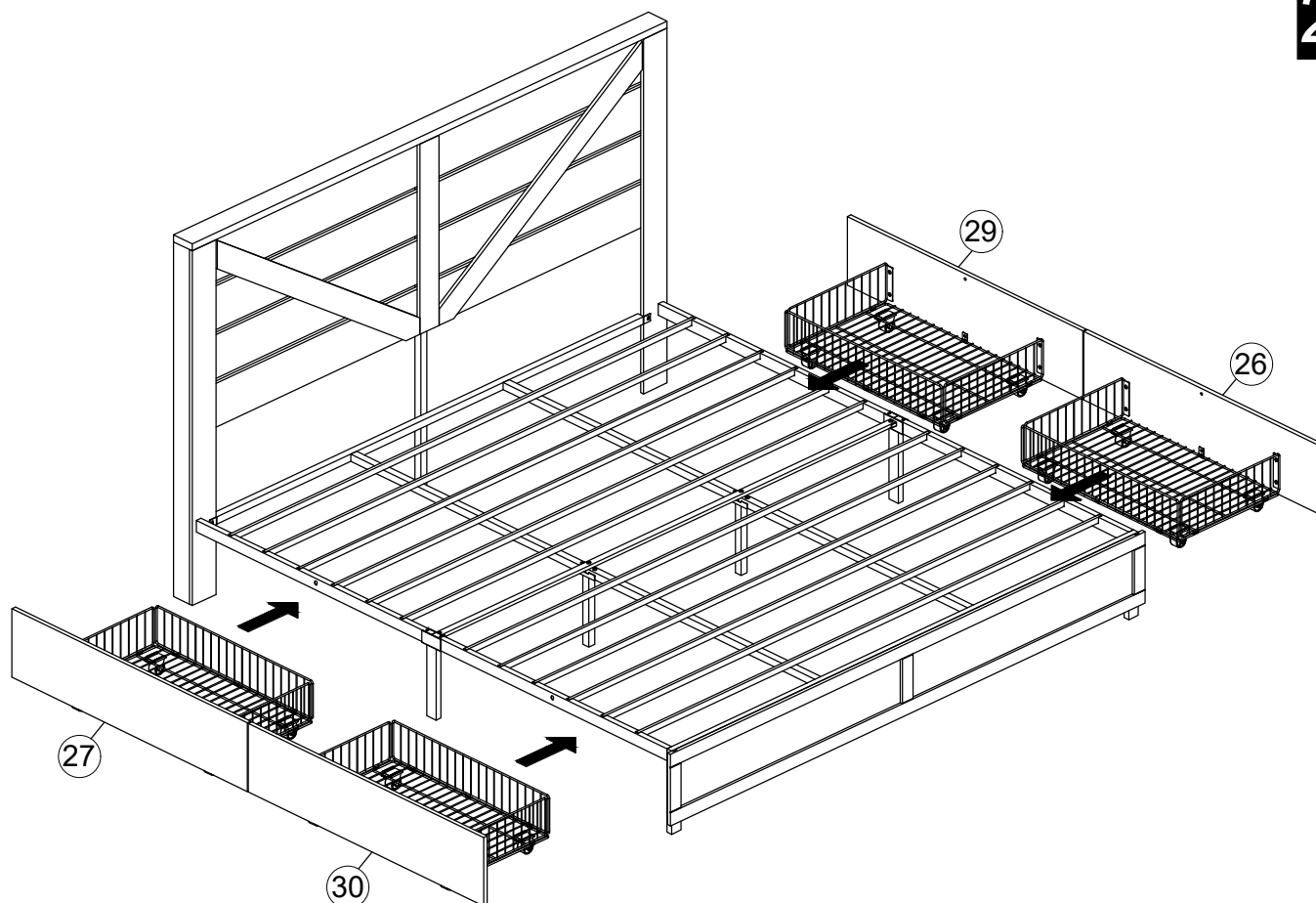
19



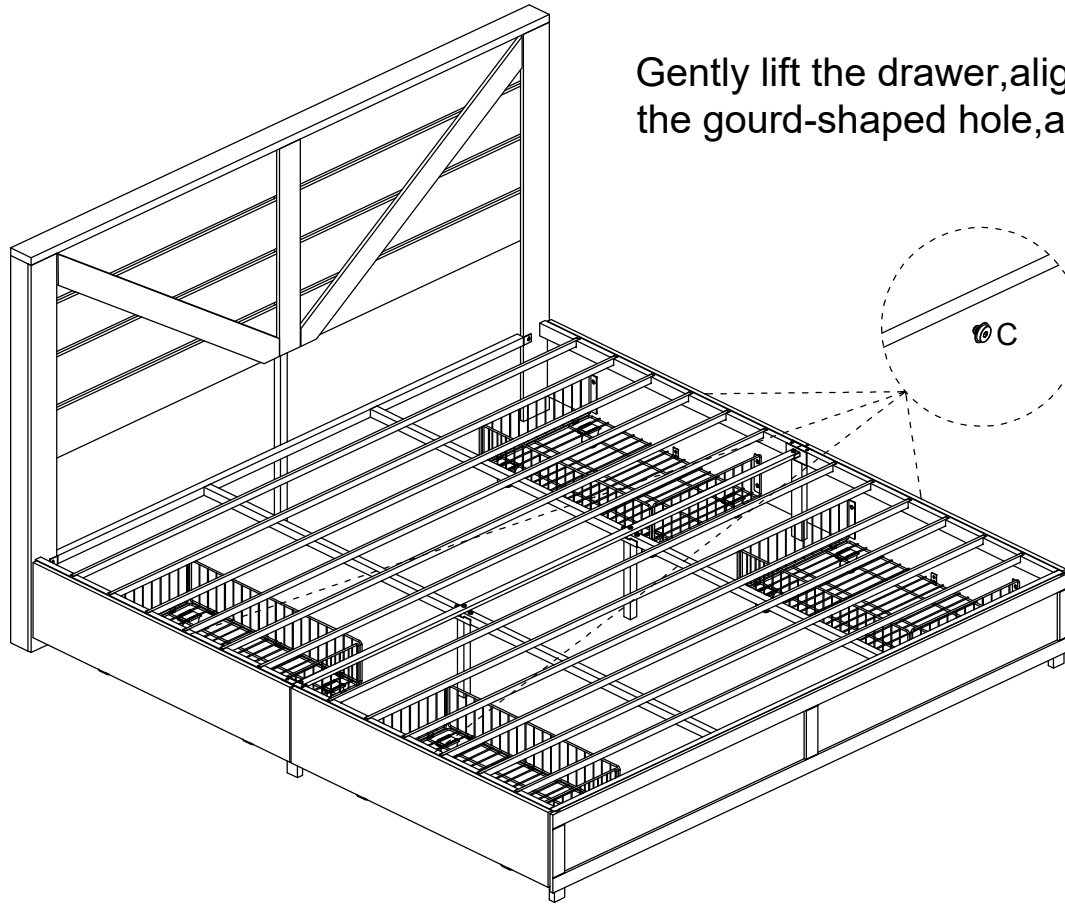
C		12PCS
L		2PCS

Do not tighten screw C in the middle of part 29 & 30, leave a gap.

20



Gently lift the drawer, align the screw with the gourd-shaped hole, and then snap it in.



Installation Complete