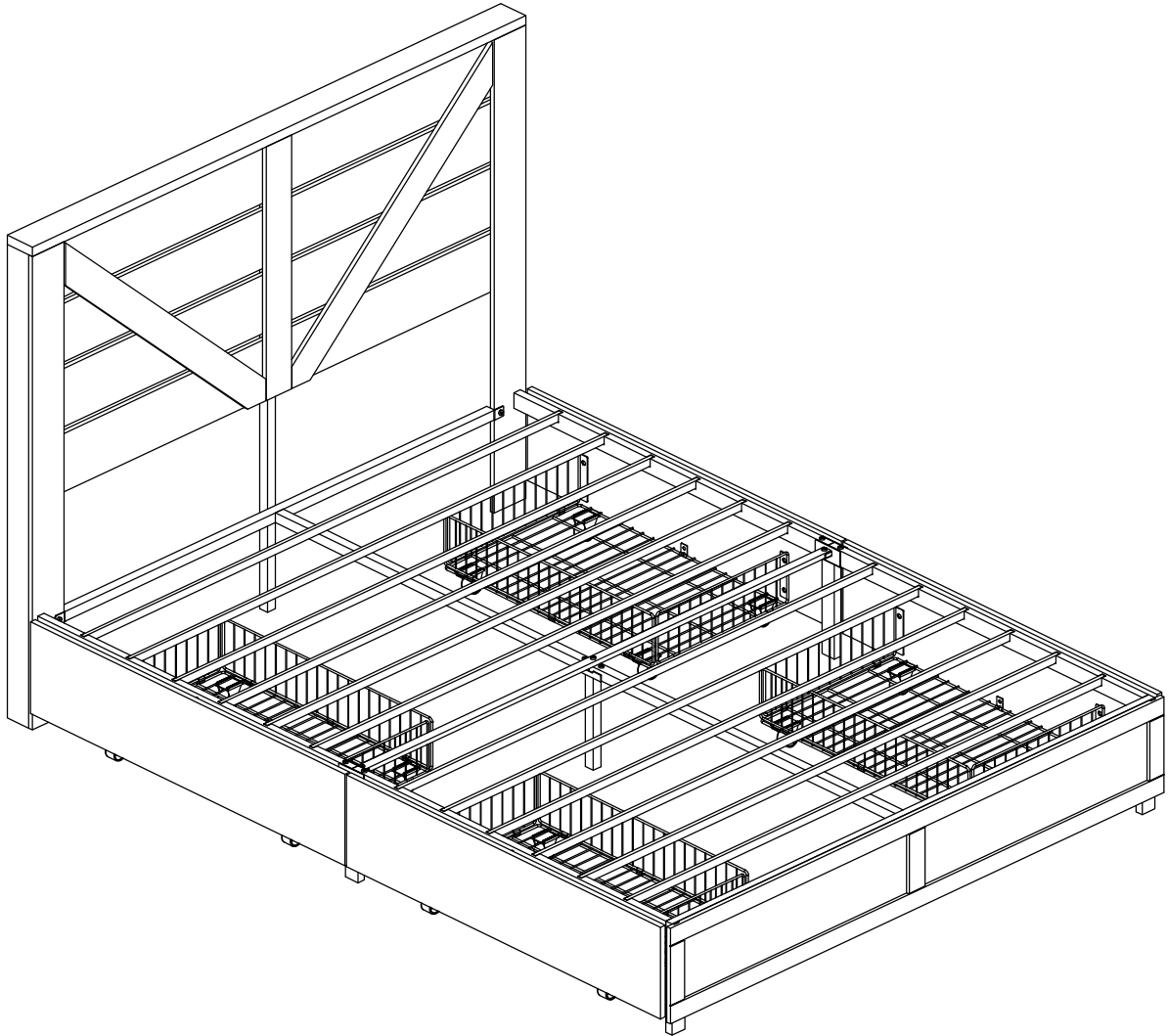


ASSEMBLY INSTRUCTIONS

ASSEMBLY INSTRUCTIONS

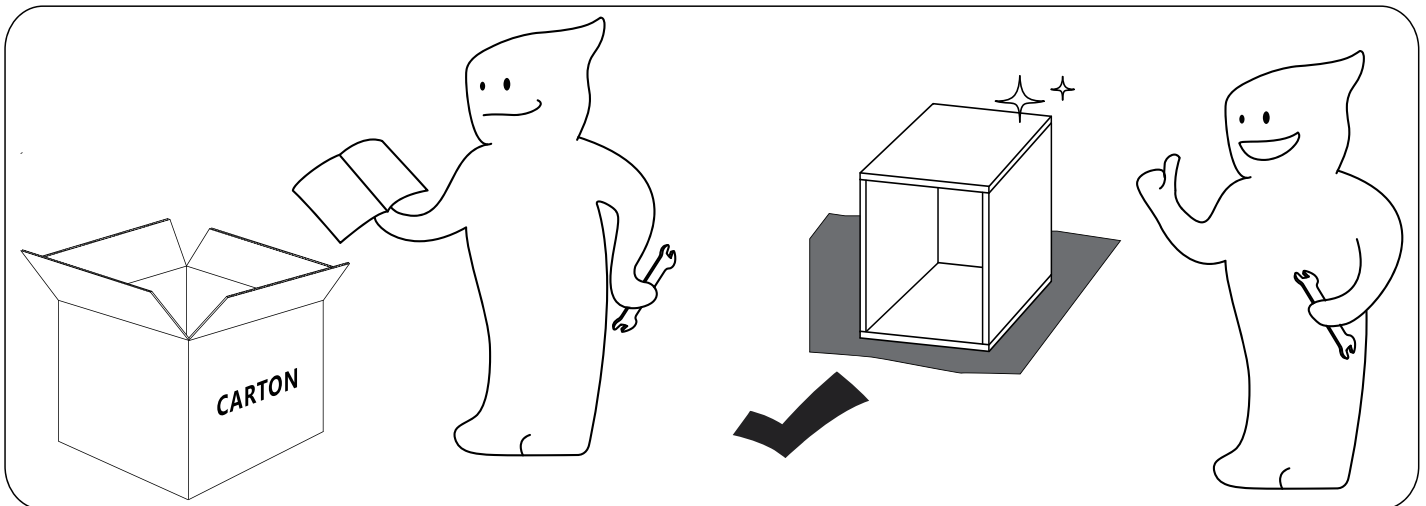
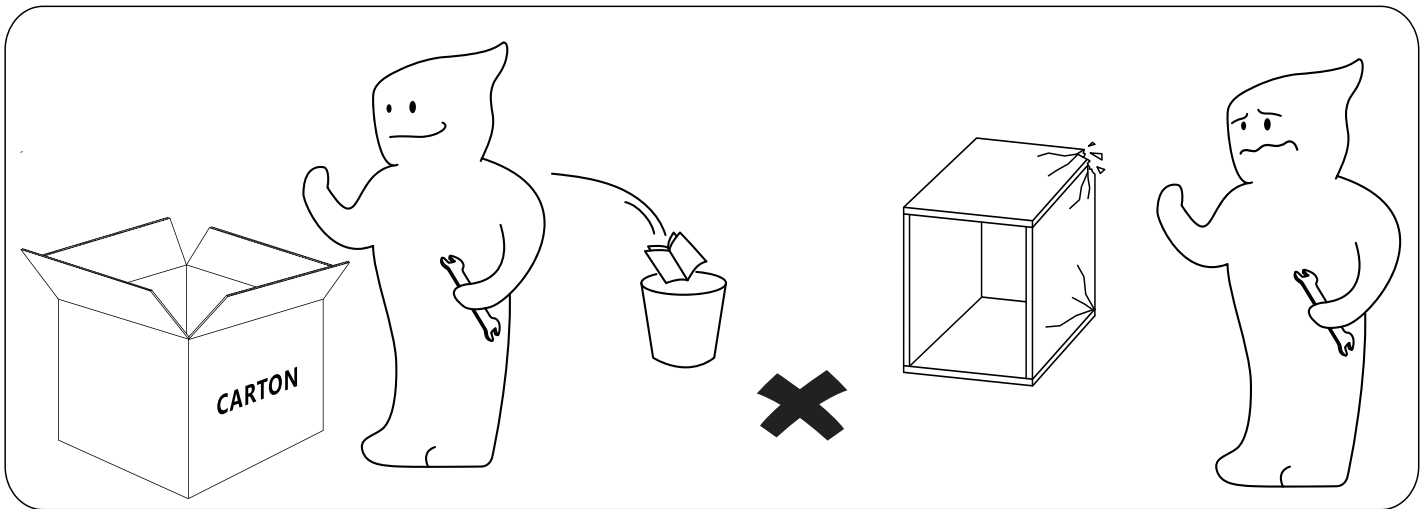


Dear Customers,
Thank you for purchasing our product. Please read this instruction manual carefully after receiving this product. It will help you assemble this product quickly, safely and correctly. You can keep this manual for future reference.
MADE IN CHINA

ASSEMBLY INSTRUCTIONS

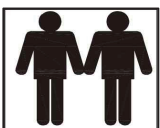


Please follow the instruction manuals and use a pad to protect the product during your assembly.



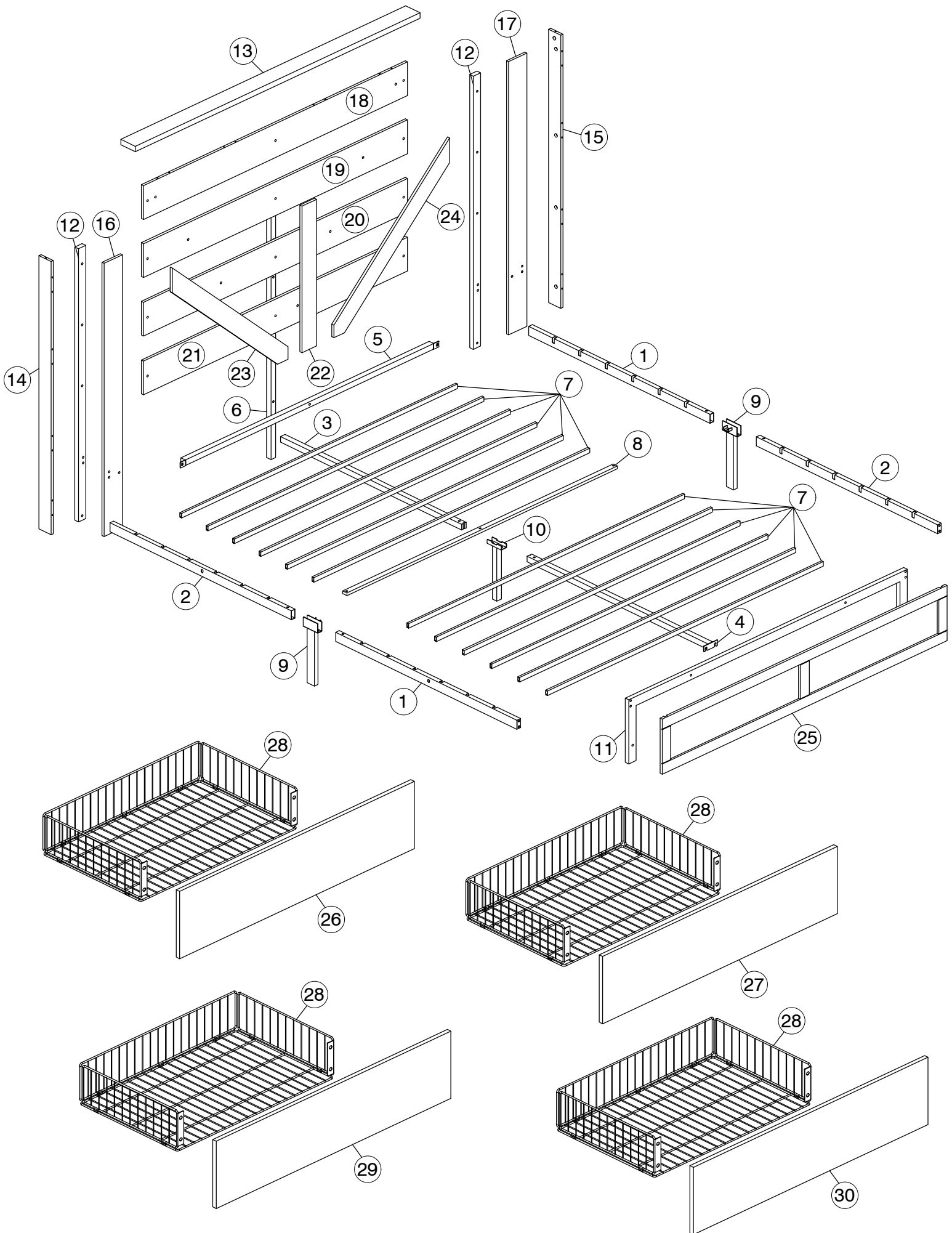
Note:

1. Should be assembled on flat ground to keep balance.
2. Before completing the installation, do not tighten the screws.

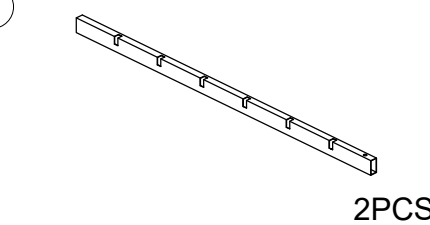
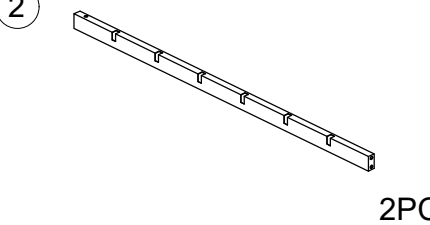
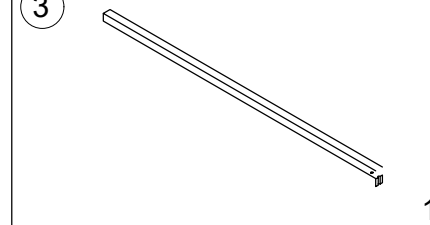
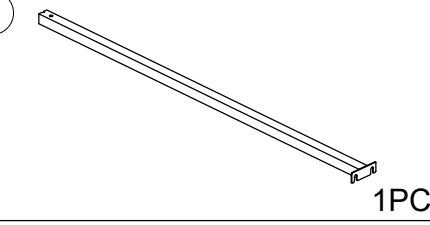
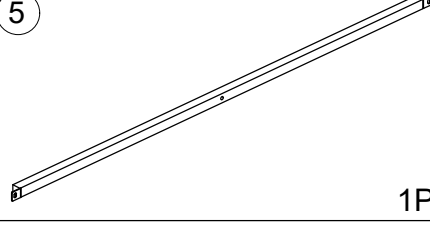
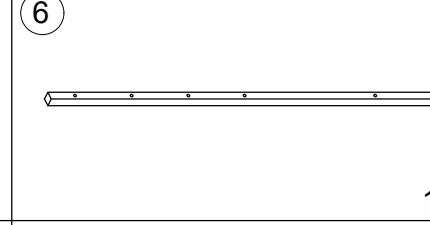
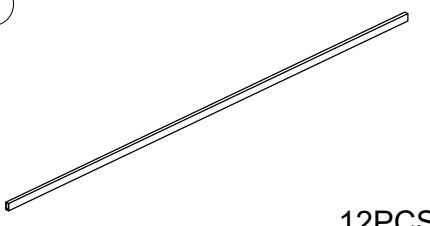
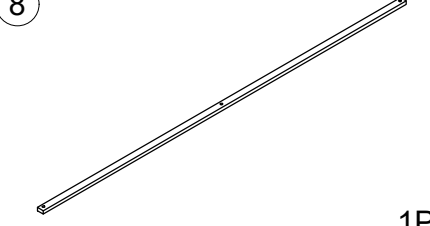
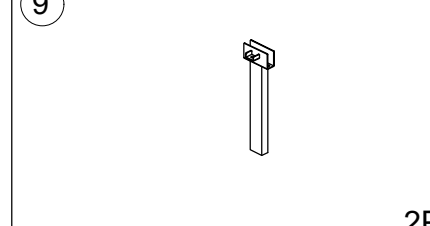
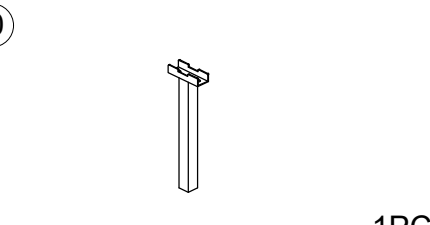
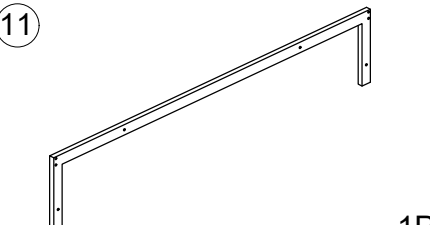
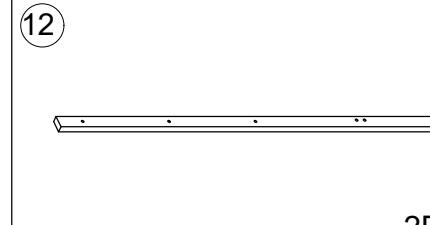
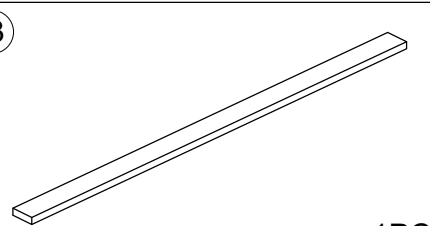
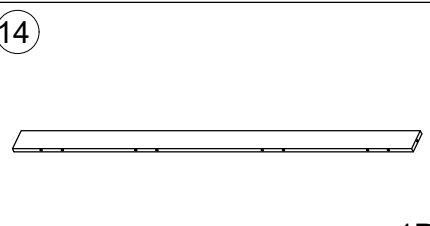
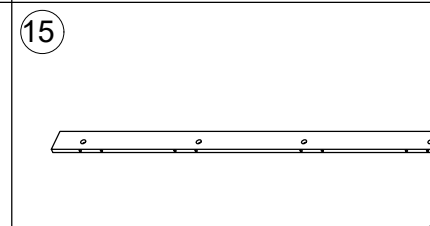
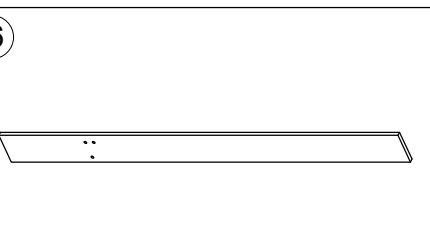
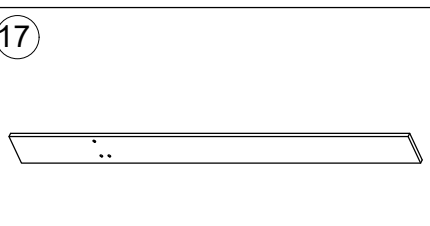
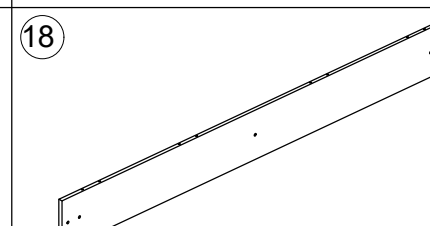
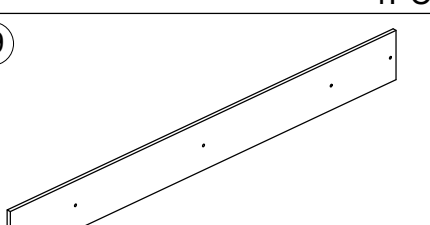
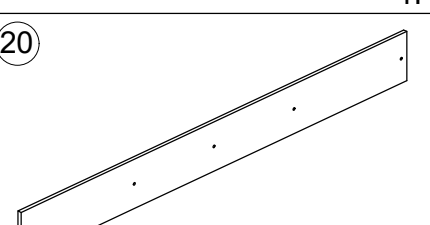
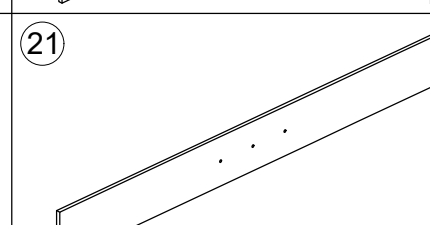
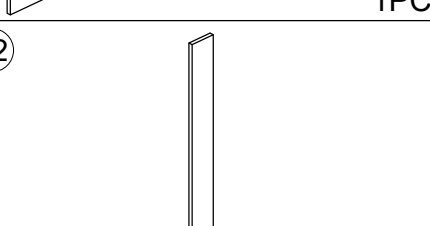
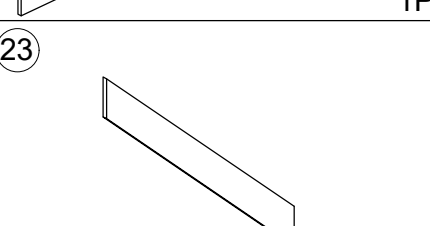
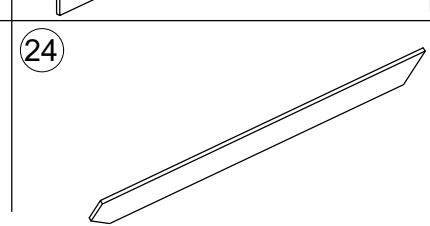


For easier and better assembly, **2** or more adults are required.

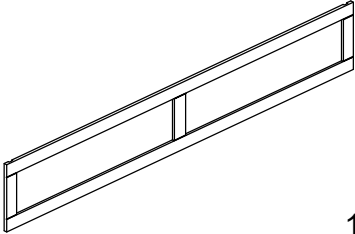
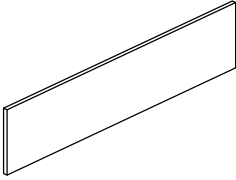
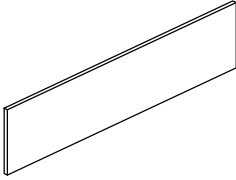
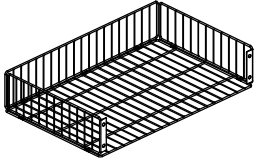
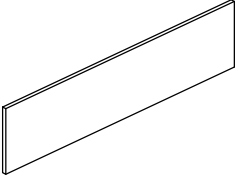
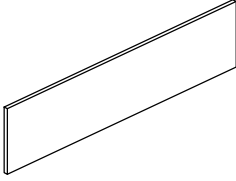
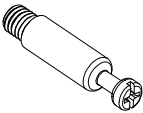



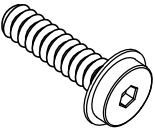
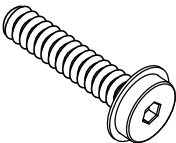
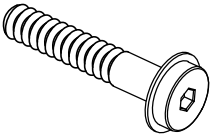
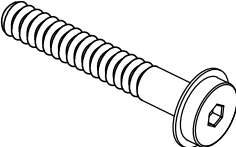
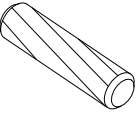
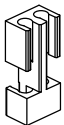
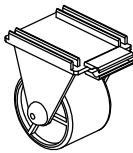
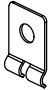
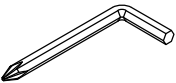
ASSEMBLY INSTRUCTIONS



ASSEMBLY INSTRUCTIONS

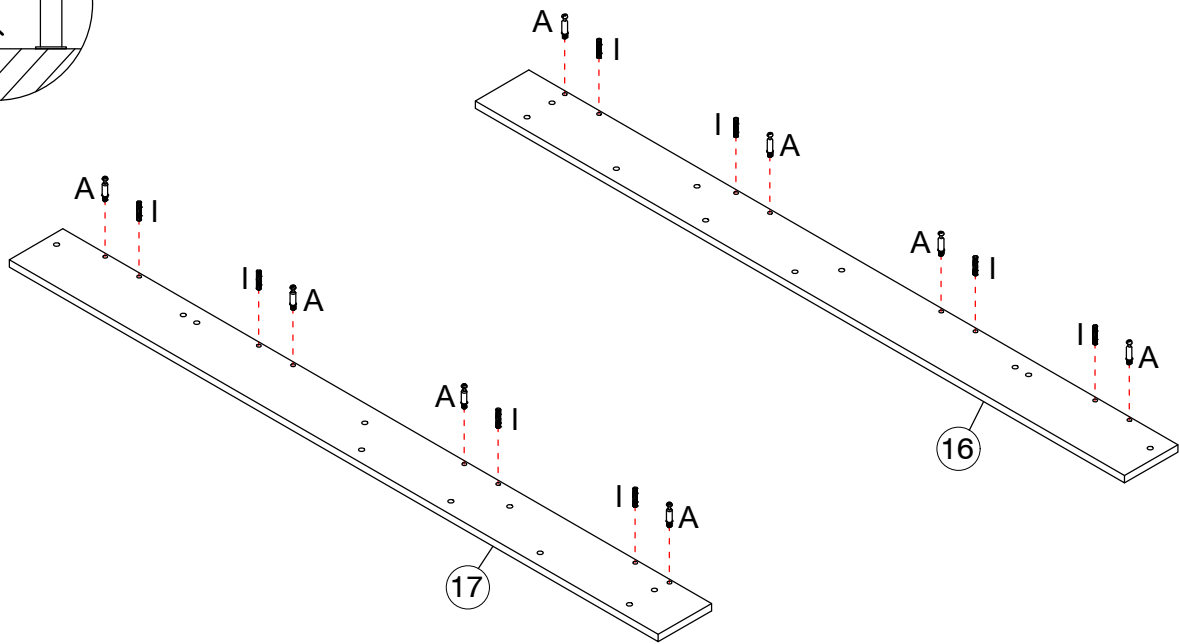
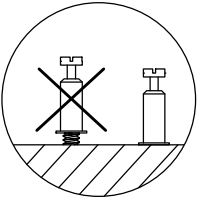
 <p>1</p> <p>2PCS</p>	 <p>2</p> <p>2PCS</p>	 <p>3</p> <p>1PC</p>
 <p>4</p> <p>1PC</p>	 <p>5</p> <p>1PC</p>	 <p>6</p> <p>1PC</p>
 <p>7</p> <p>12PCS</p>	 <p>8</p> <p>1PC</p>	 <p>9</p> <p>2PCS</p>
 <p>10</p> <p>1PC</p>	 <p>11</p> <p>1PC</p>	 <p>12</p> <p>2PCS</p>
 <p>13</p> <p>1PC</p>	 <p>14</p> <p>1PC</p>	 <p>15</p> <p>1PC</p>
 <p>16</p> <p>1PC</p>	 <p>17</p> <p>1PC</p>	 <p>18</p> <p>1PC</p>
 <p>19</p> <p>1PC</p>	 <p>20</p> <p>1PC</p>	 <p>21</p> <p>1PC</p>
 <p>22</p> <p>1PC</p>	 <p>23</p> <p>1PC</p>	 <p>24</p> <p>1PC</p>

ASSEMBLY INSTRUCTIONS

<p>25</p>  <p>1PC</p>	<p>26</p>  <p>1PC</p>	<p>27</p>  <p>1PC</p>
<p>28</p>  <p>4PCS</p>	<p>29</p>  <p>1PC</p>	<p>30</p>  <p>1PC</p>
<p>ASSEMBLY INSTRUCTIONS</p>		
<p>A</p>  <p>14PCS</p>	<p>B</p>  <p>14PCS</p>	<p>C</p>  <p>M8*12mm 28PCS+1PC</p>
<p>D</p>  <p>M8*20mm 18PCS+1PC</p>	<p>E</p>  <p>M8*30mm 12PCS+1PC</p>	<p>F</p>  <p>M8*45mm 12PCS+1PC</p>
<p>G</p>  <p>M8*50mm 4PCS</p>	<p>H</p>  <p>M8*65mm 5PCS</p>	<p>I</p>  <p>Ø6*30mm 12PCS</p>
<p>J</p>  <p>8PCS</p>	<p>K</p>  <p>16PCS</p>	<p>L</p>  <p>4PCS</p>
<p>M</p>  <p>M5 1PC</p>		

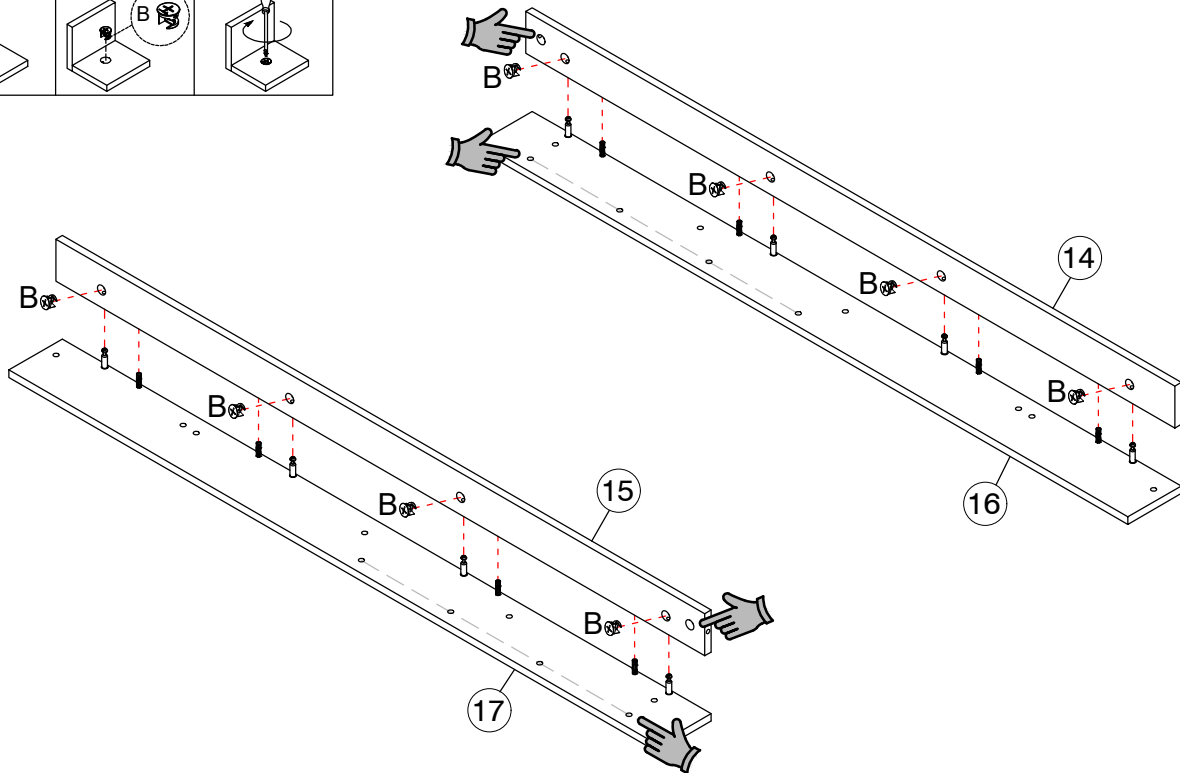
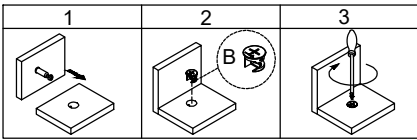
ASSEMBLY INSTRUCTIONS

1



A		8PCS
I		8PCS

2

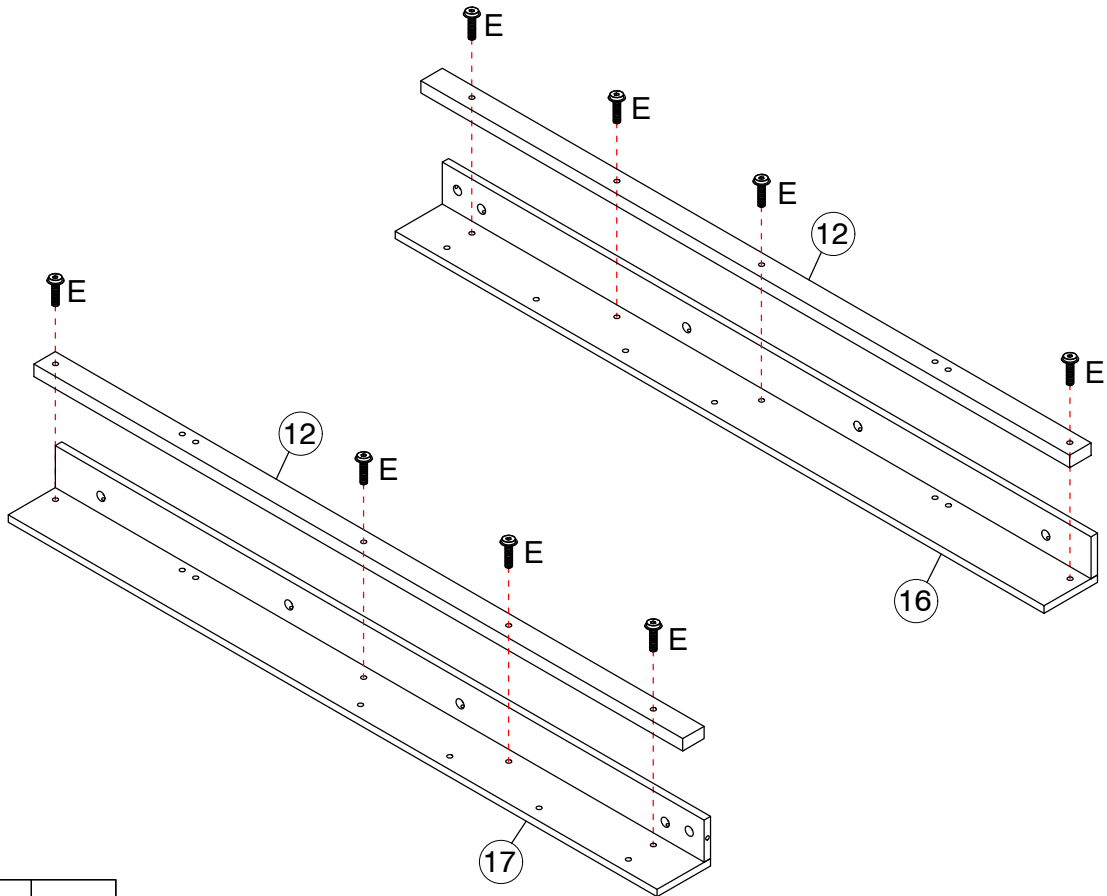



B		8PCS
---	--	------

Please note the direction of the marked holes as shown in the figure.

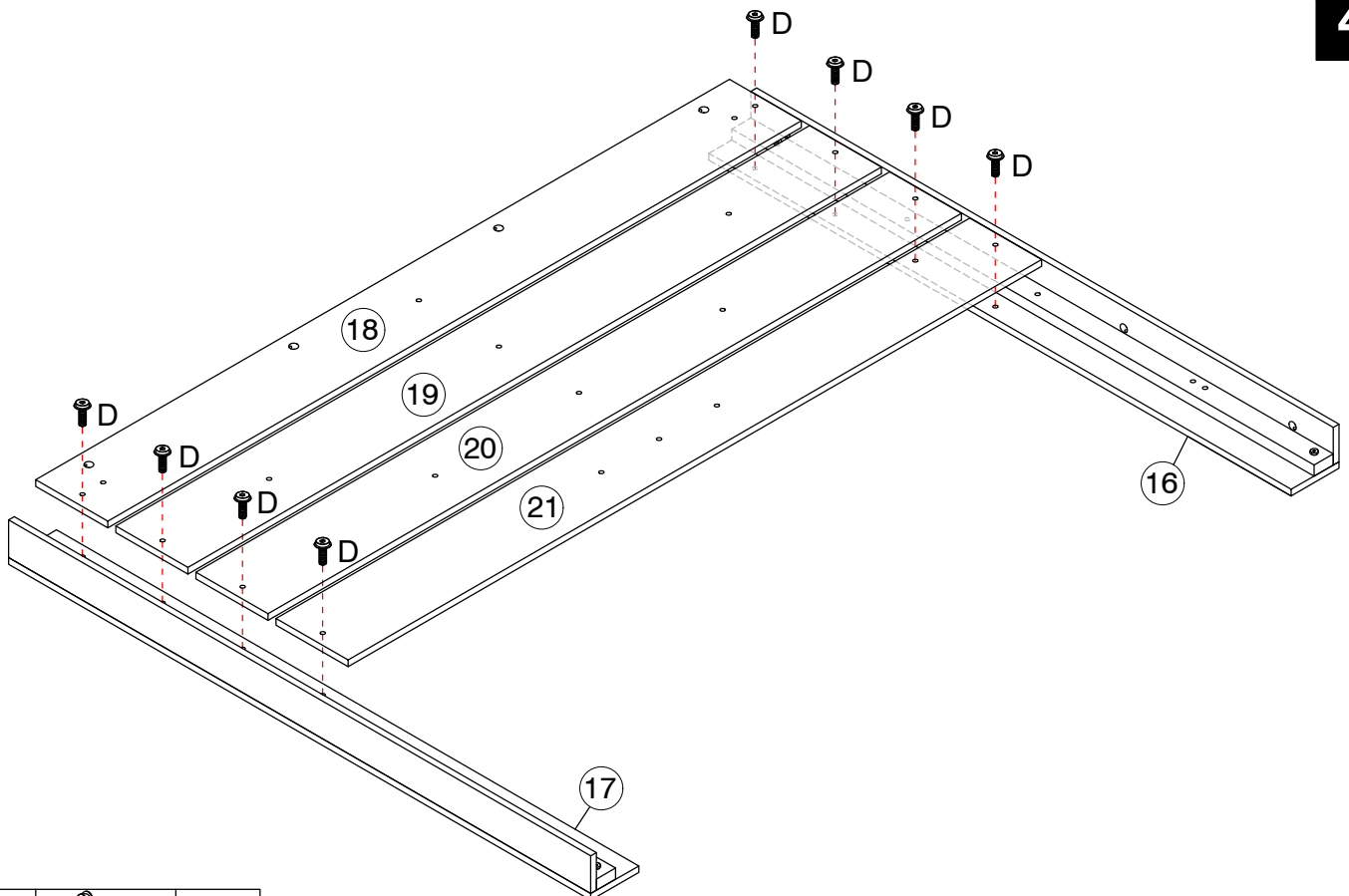
ASSEMBLY INSTRUCTIONS

3



E		8PCS
M8*30mm		

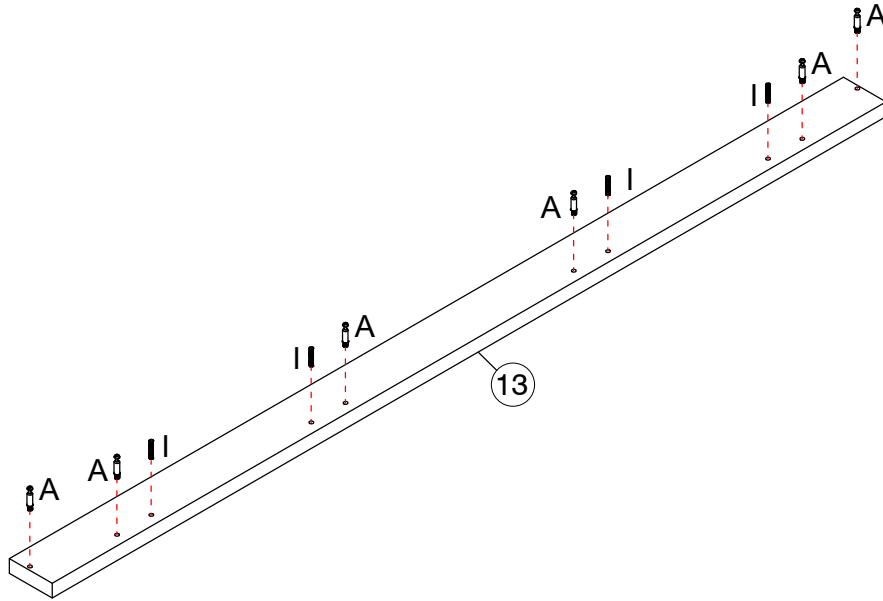
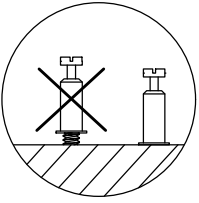
4



D		8PCS
M8*20mm		

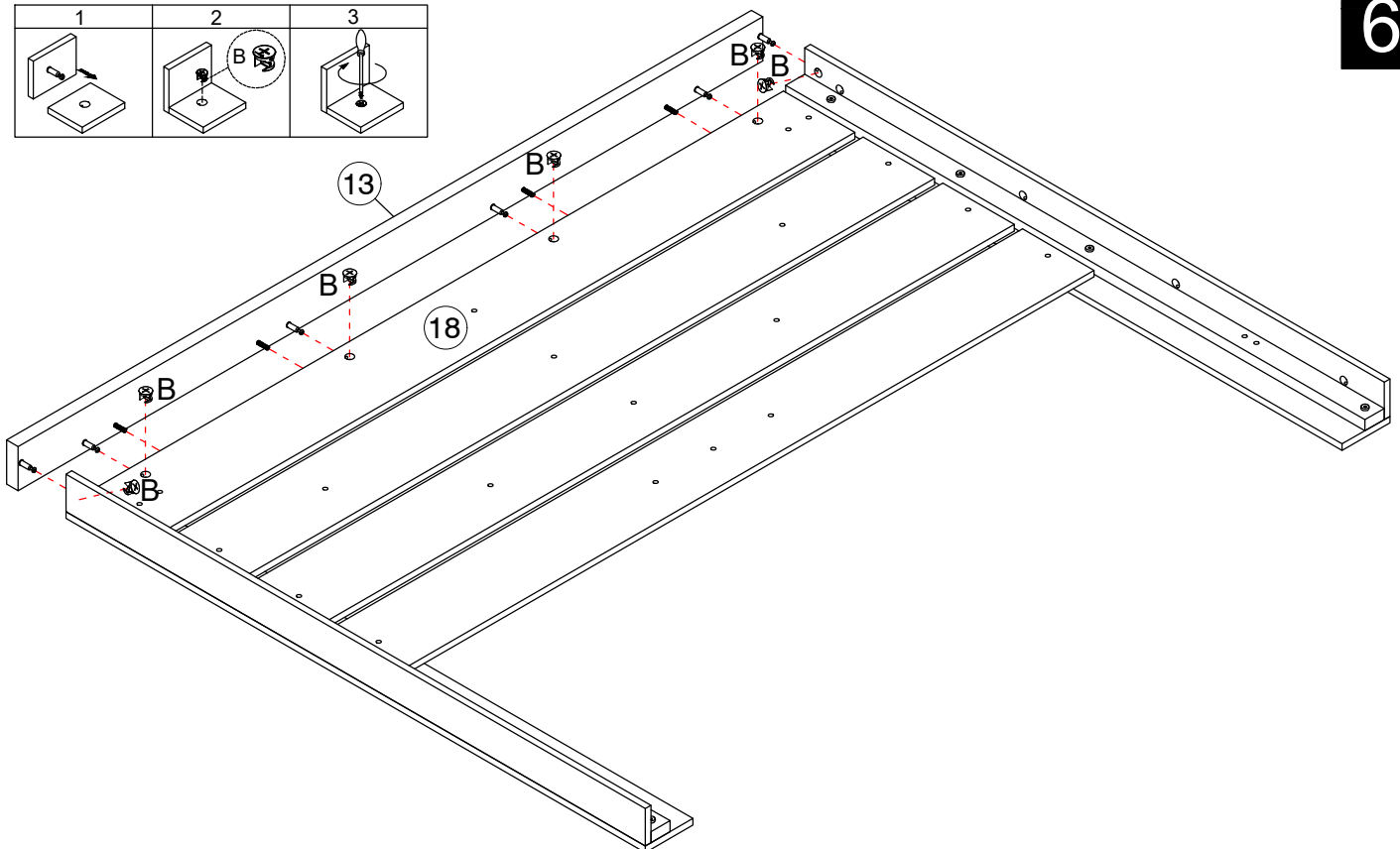
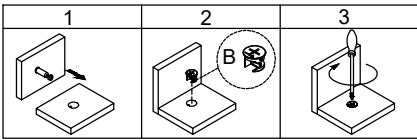
ASSEMBLY INSTRUCTIONS

5



A		6PCS
I		4PCS

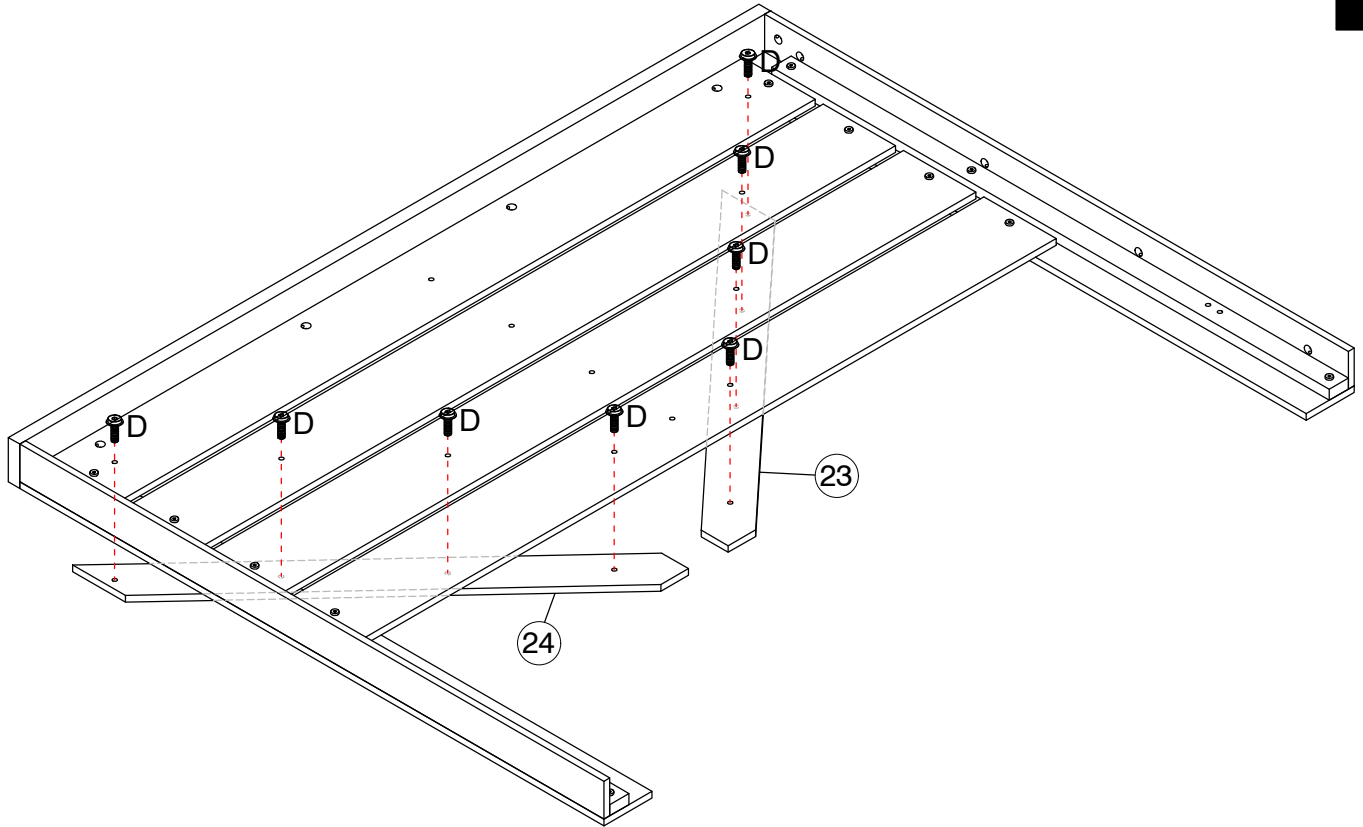
6



B		6PCS
---	--	------

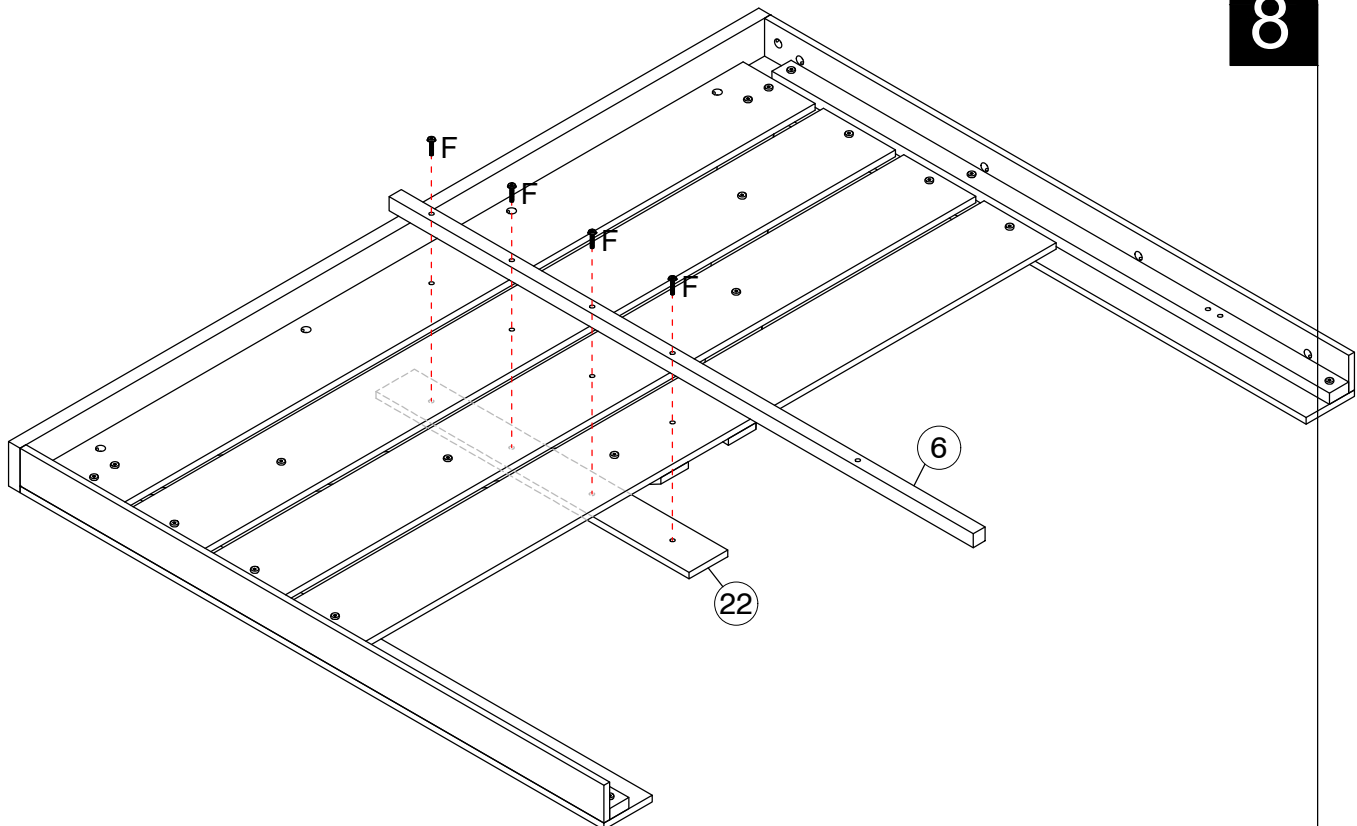
ASSEMBLY INSTRUCTIONS


7



D		M8*20mm	8PCS
---	---	---------	------

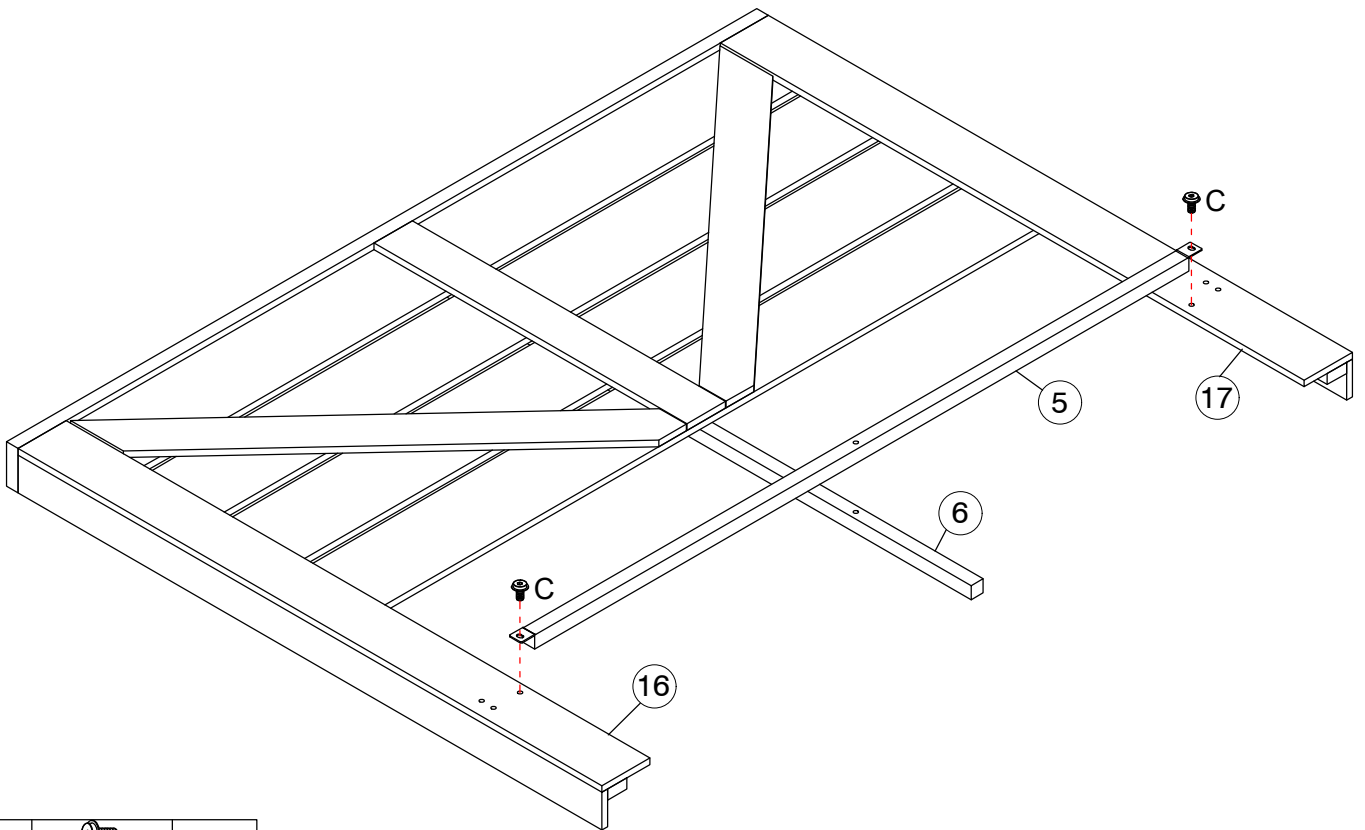
8



F		M8*45mm	4PCS
---	---	---------	------

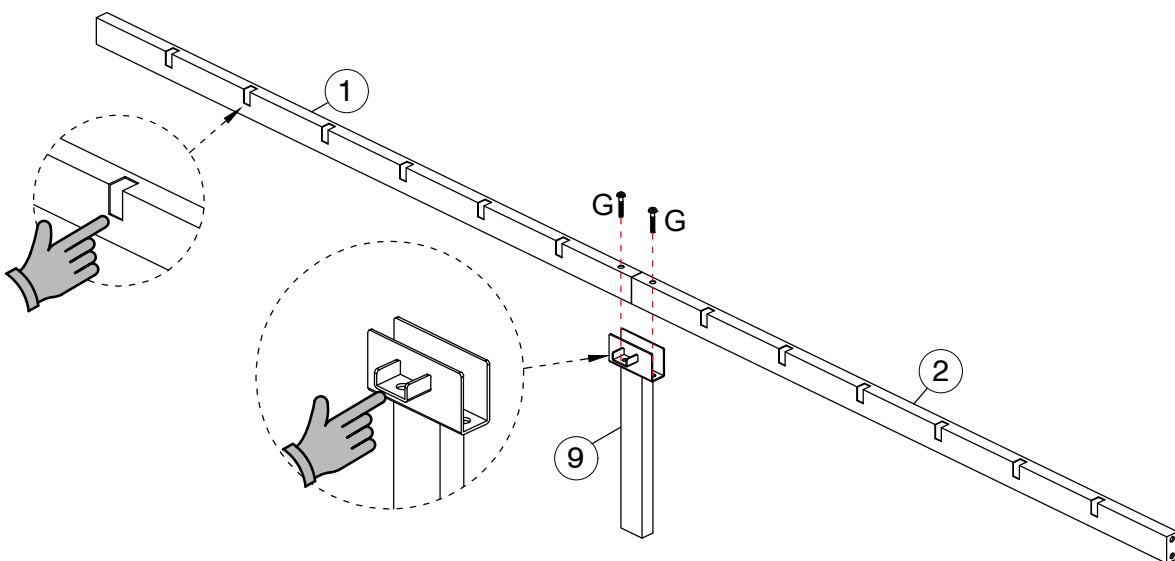
ASSEMBLY INSTRUCTIONS

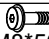
9



C		M8*12mm	2PCS
---	---	---------	------

10



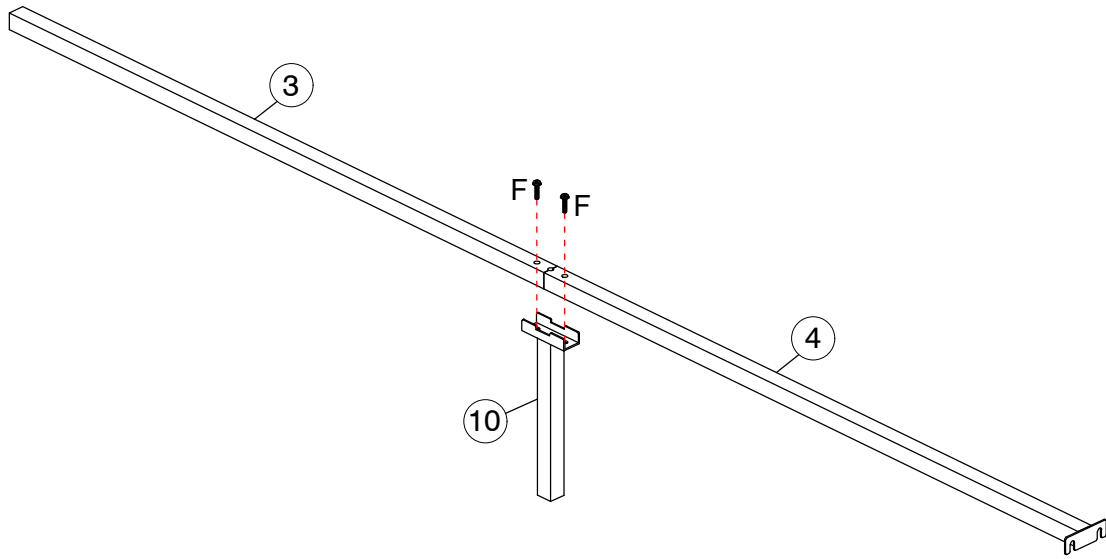
G		M8*50mm	4PCS
---	---	---------	------


Please note that the grooves on parts 1, 2, and 9 are facing the same direction.

x2

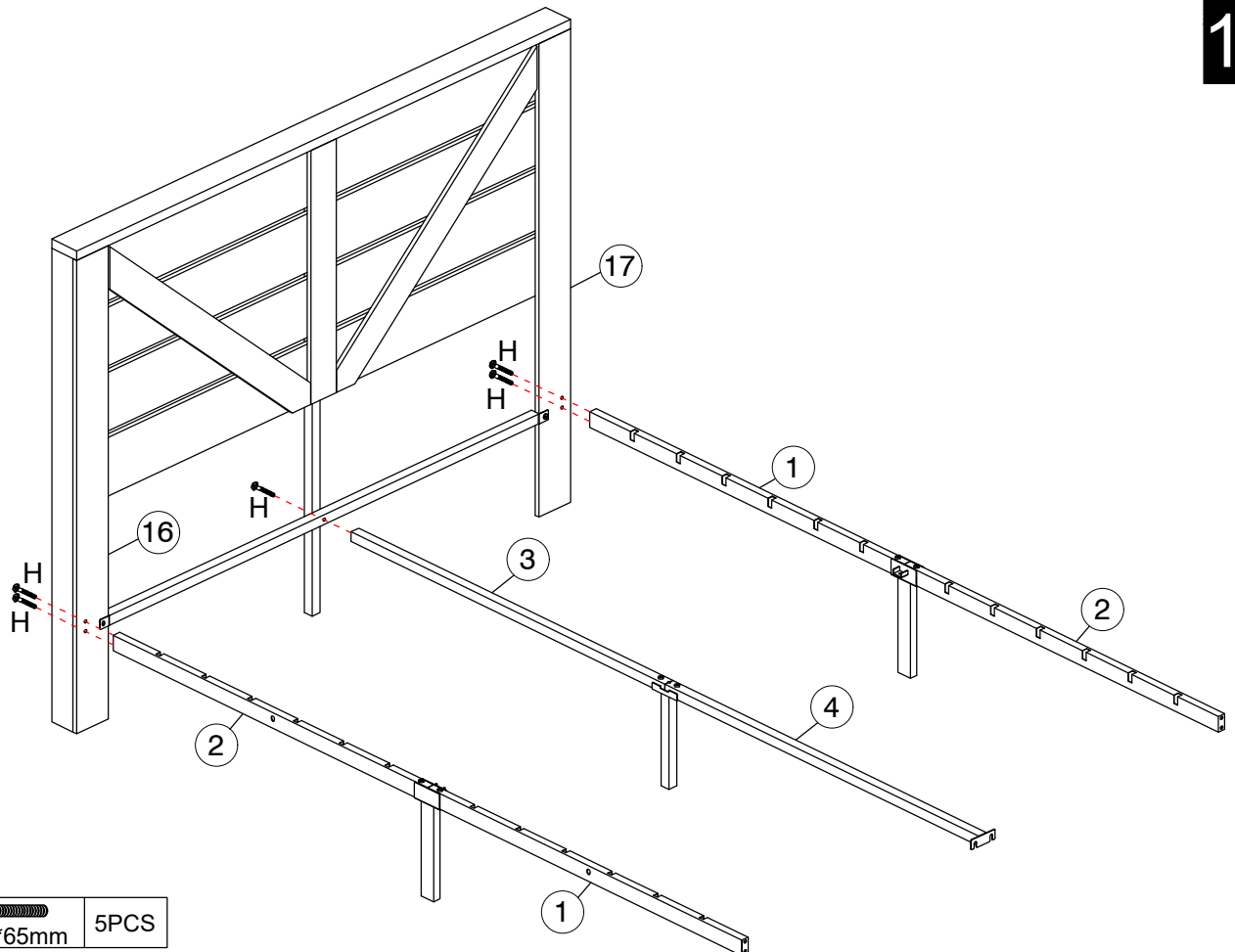
ASSEMBLY INSTRUCTIONS

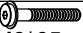
11



F		2PCS
M8*45mm		

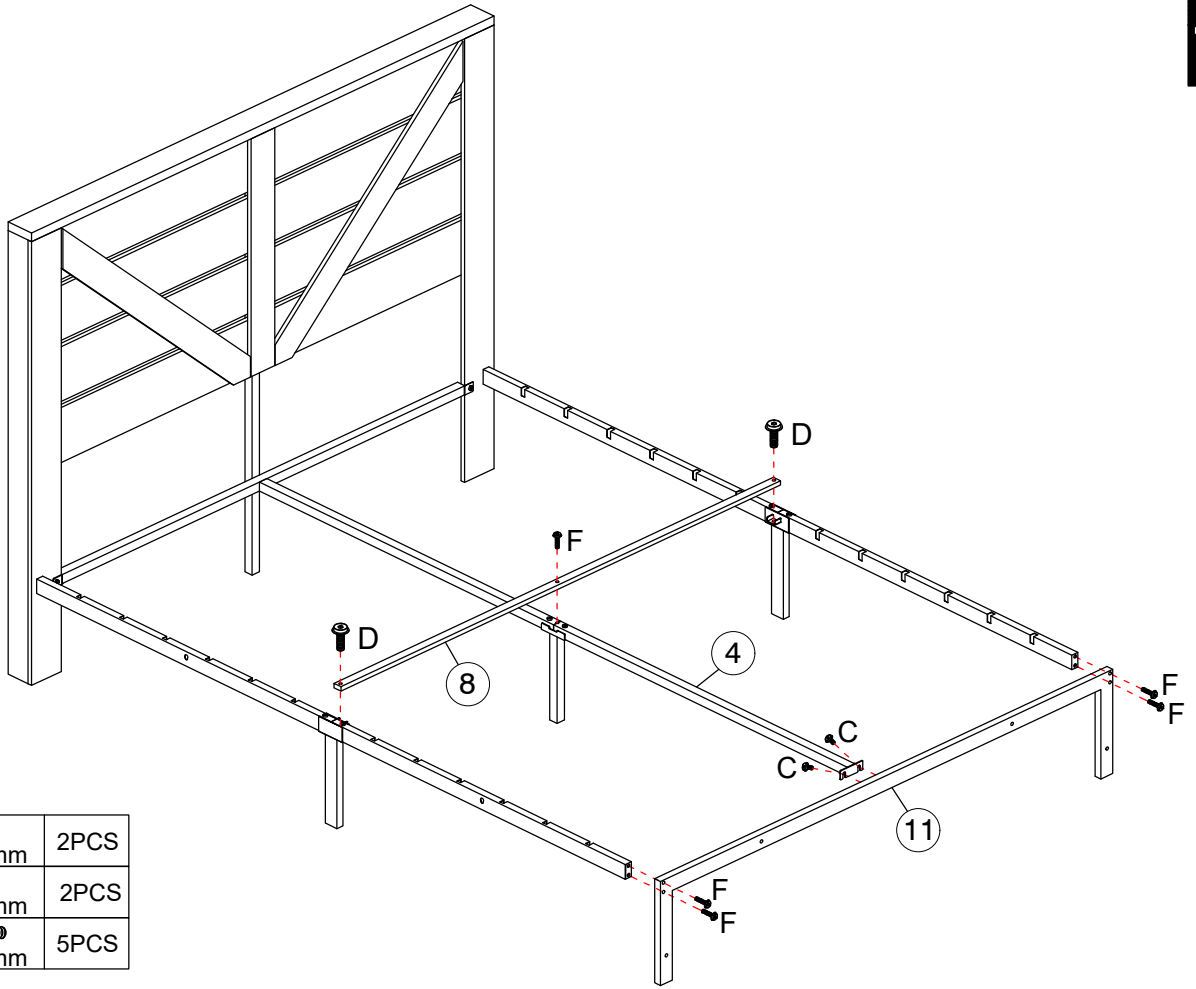
12



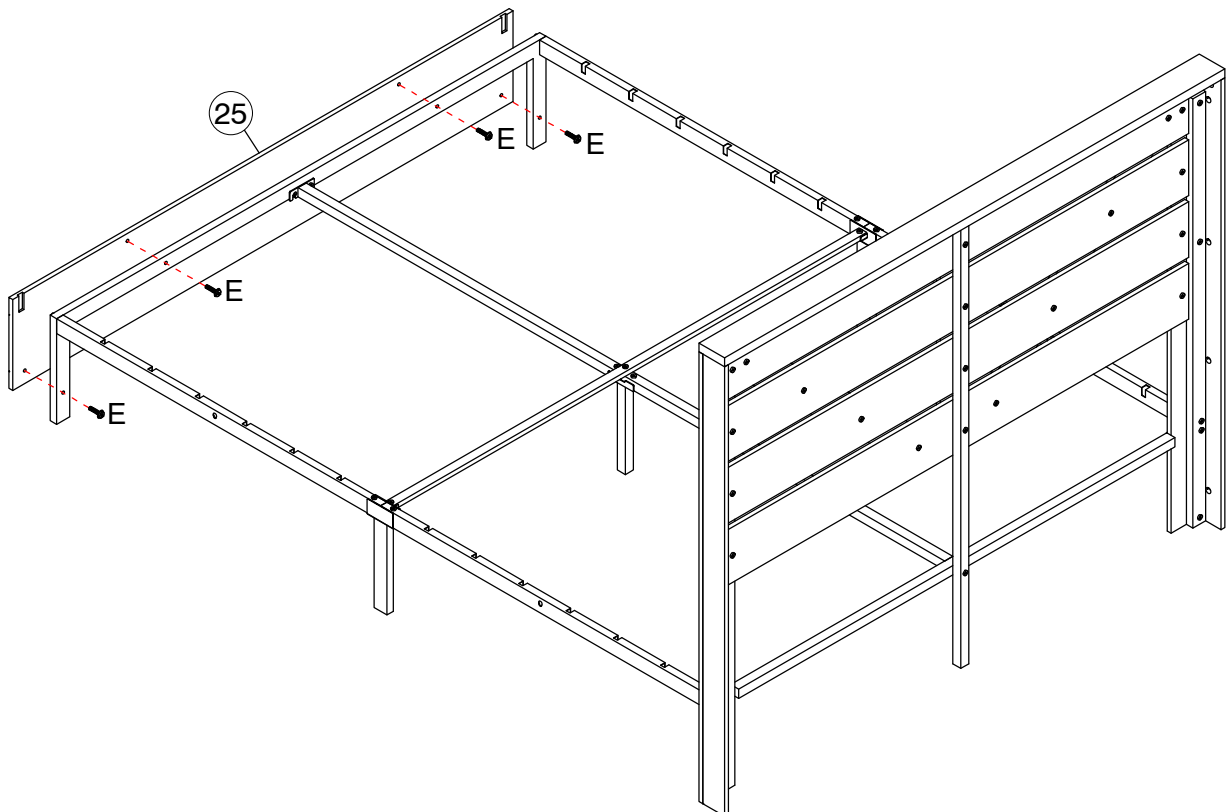
H		5PCS
M8*65mm		

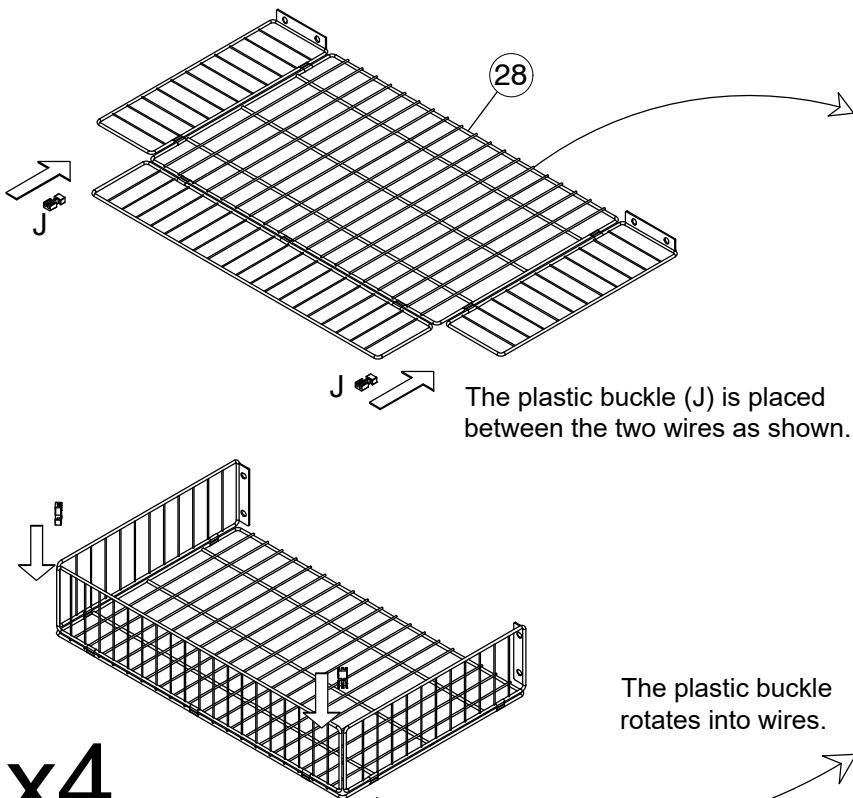
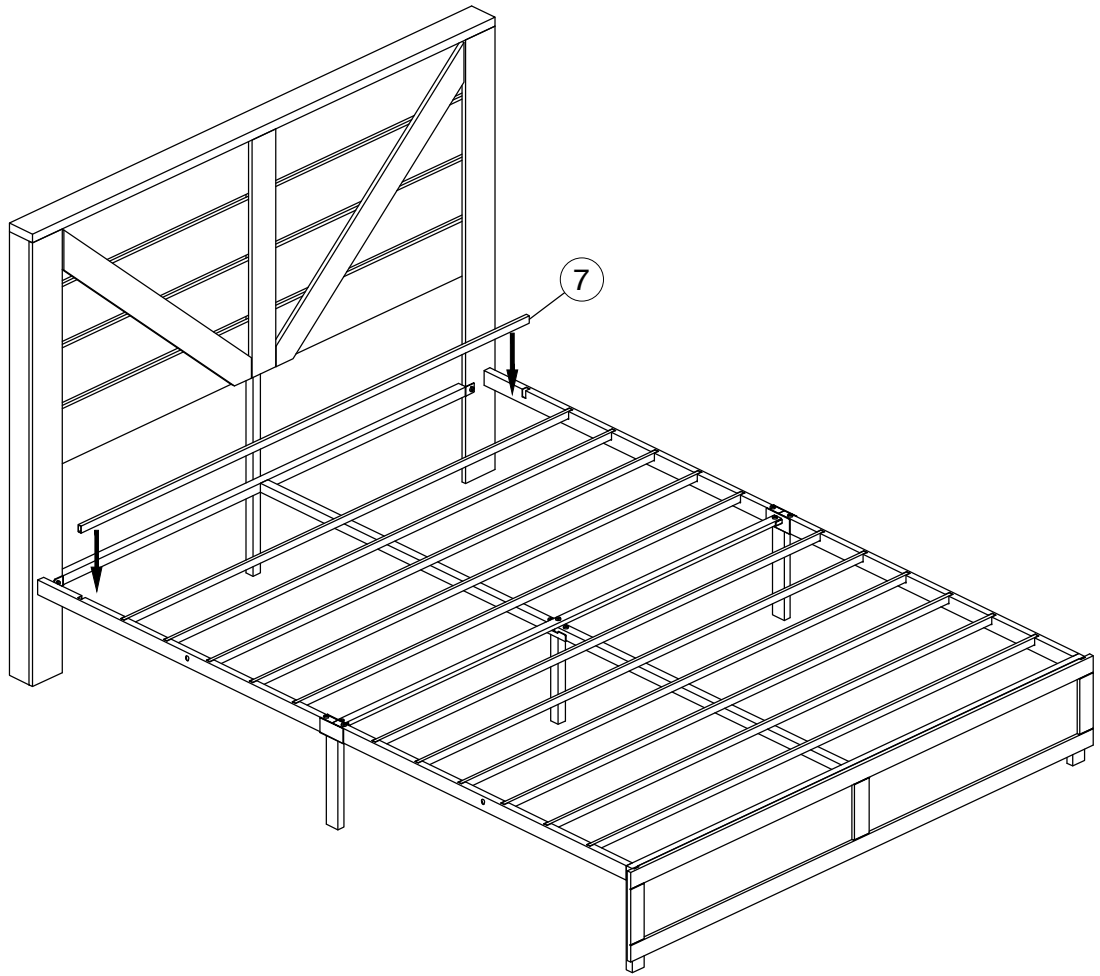
ASSEMBLY INSTRUCTIONS

13



14

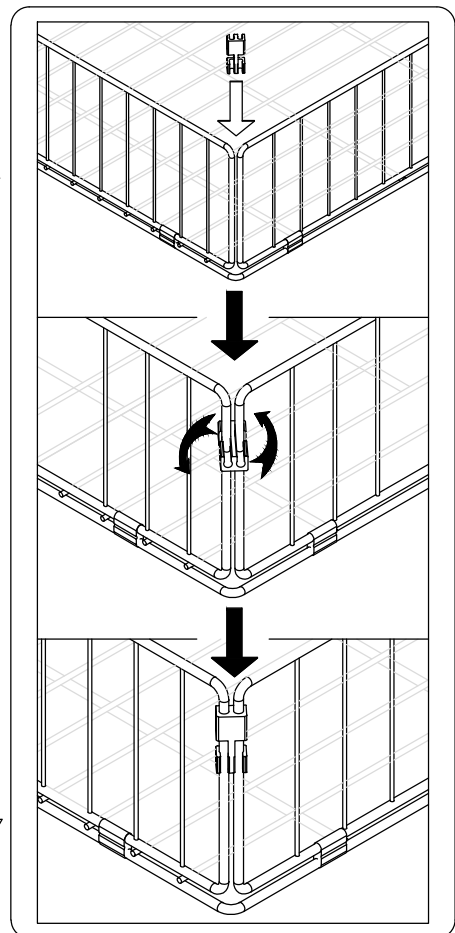




The plastic buckle (J) is placed between the two wires as shown.

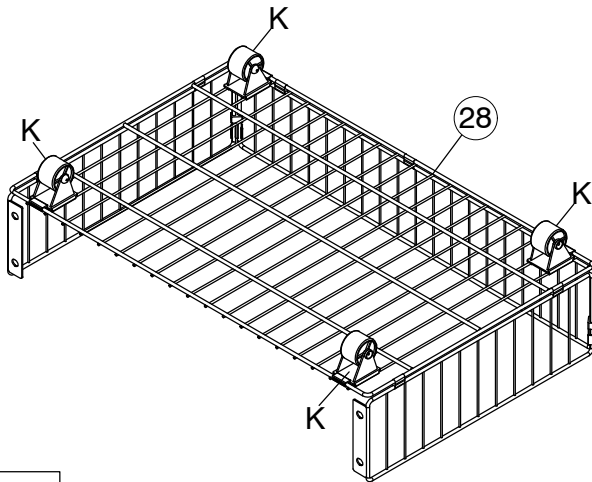
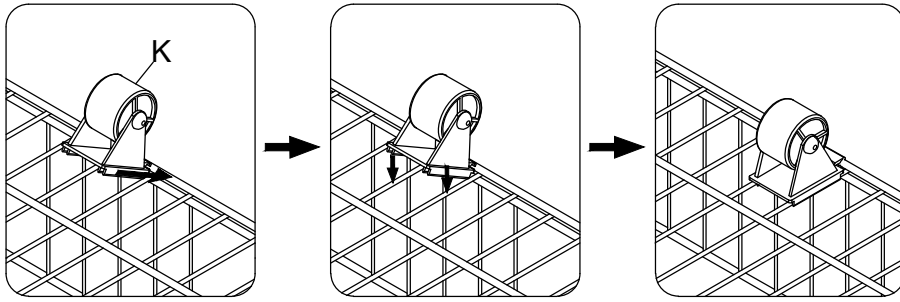
The plastic buckle rotates into wires.

x4



ASSEMBLY INSTRUCTIONS

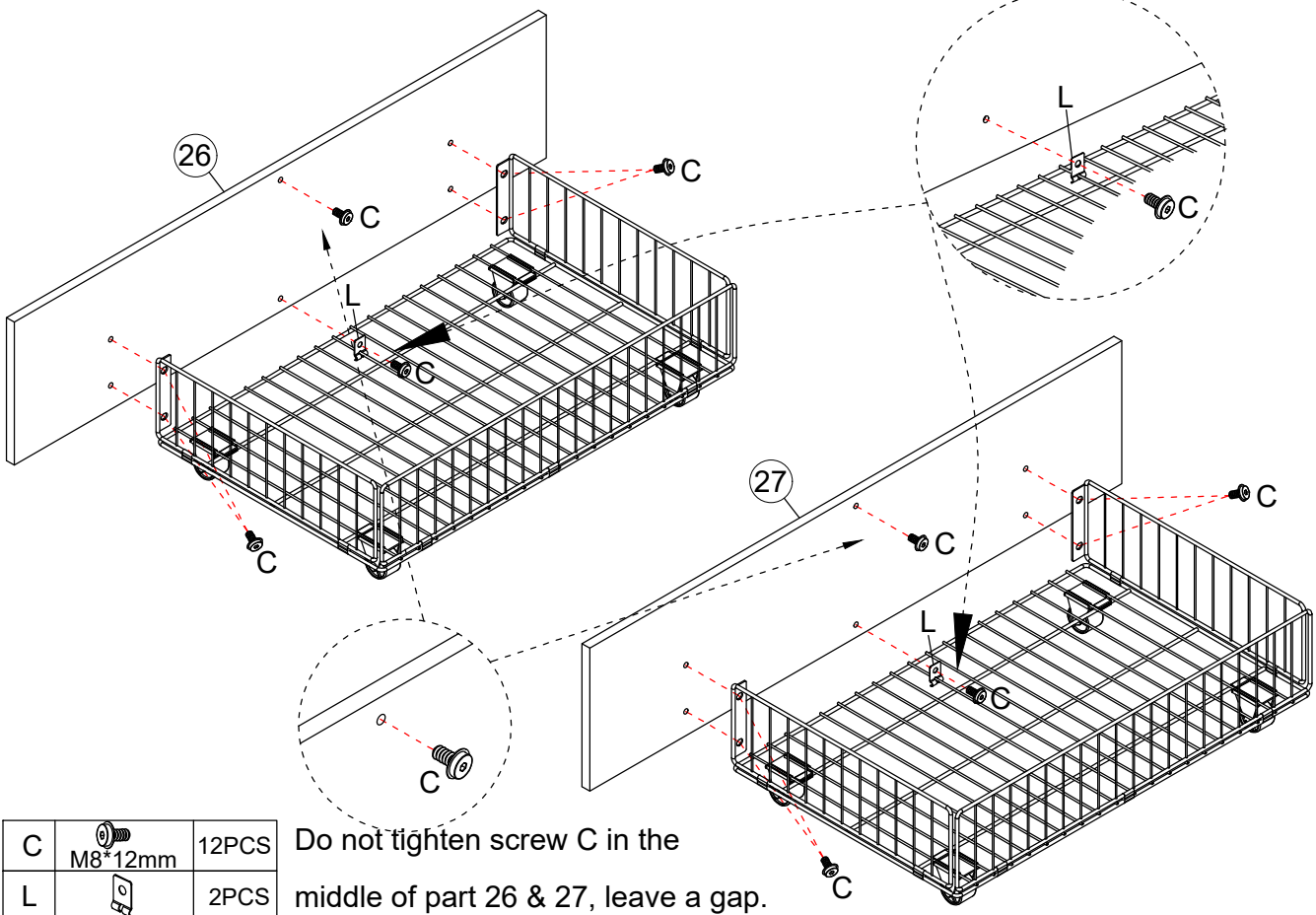
17

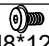



K		16PCS
---	---	-------

x4

18

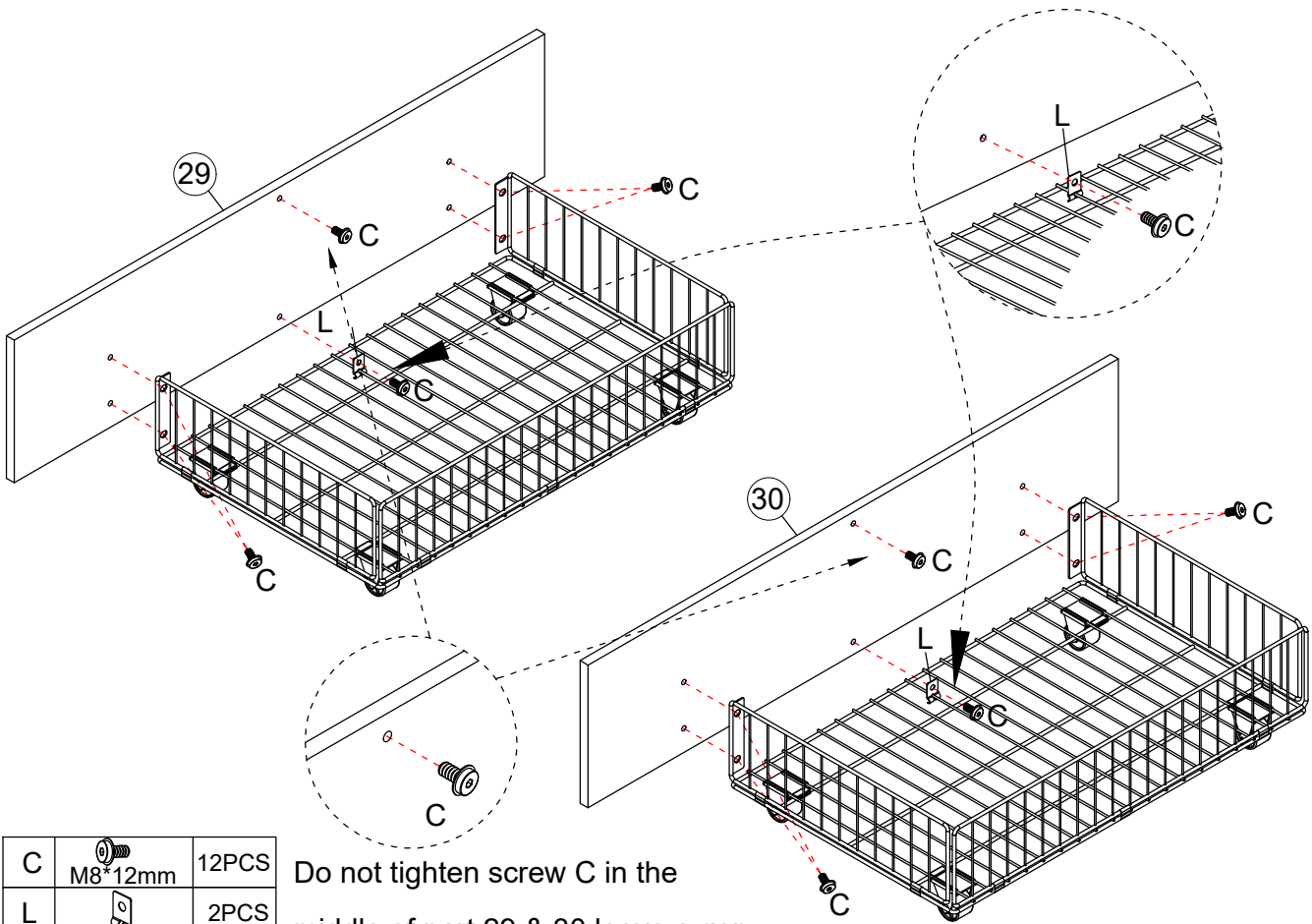




C		M8*12mm	12PCS
L			2PCS

Do not tighten screw C in the middle of part 26 & 27, leave a gap.

ASSEMBLY INSTRUCTIONS

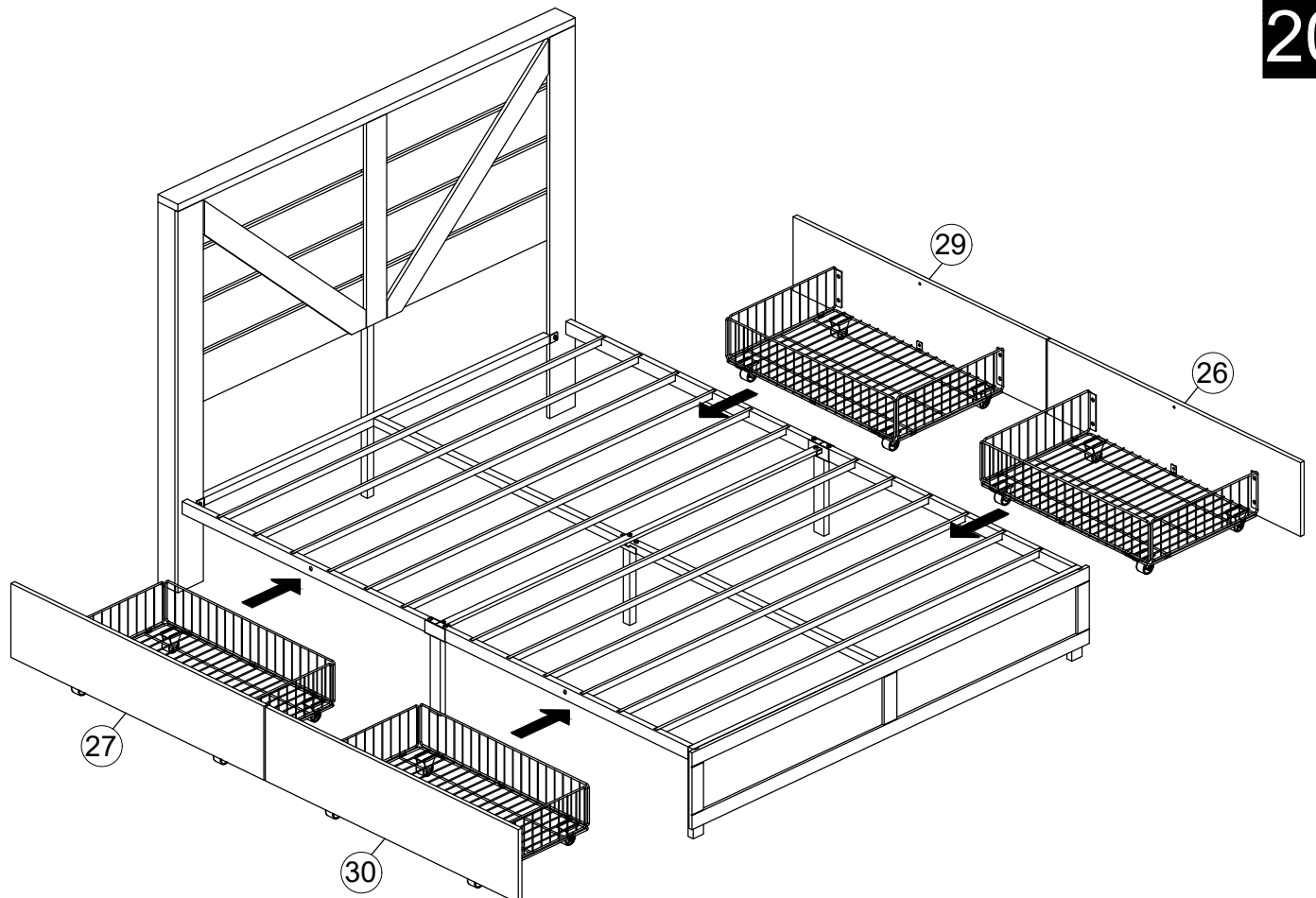
19



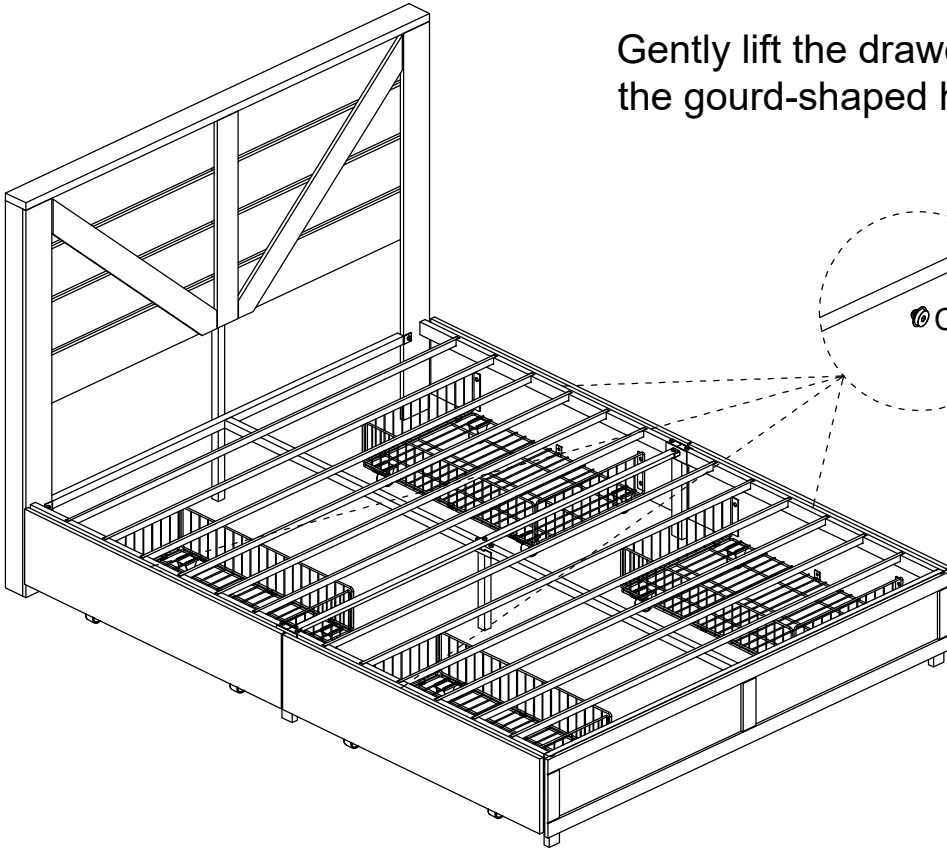
C	 M8*12mm	12PCS
L		2PCS

Do not tighten screw C in the middle of part 29 & 30, leave a gap.

20



Gently lift the drawer, align the screw with the gourd-shaped hole, and then snap it in.



Installation Complete