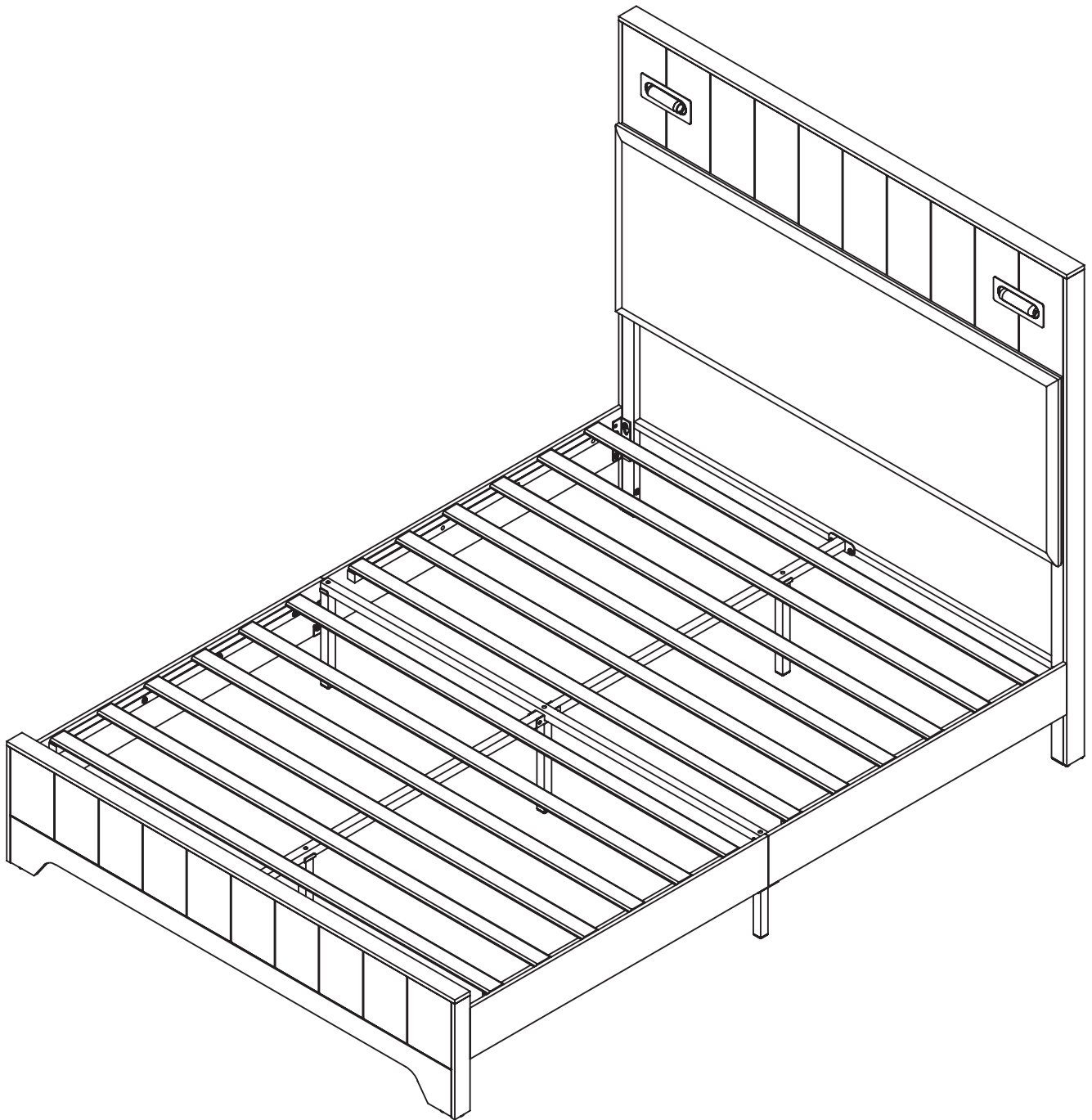


Panel bed-F/Q Assembly Instructions



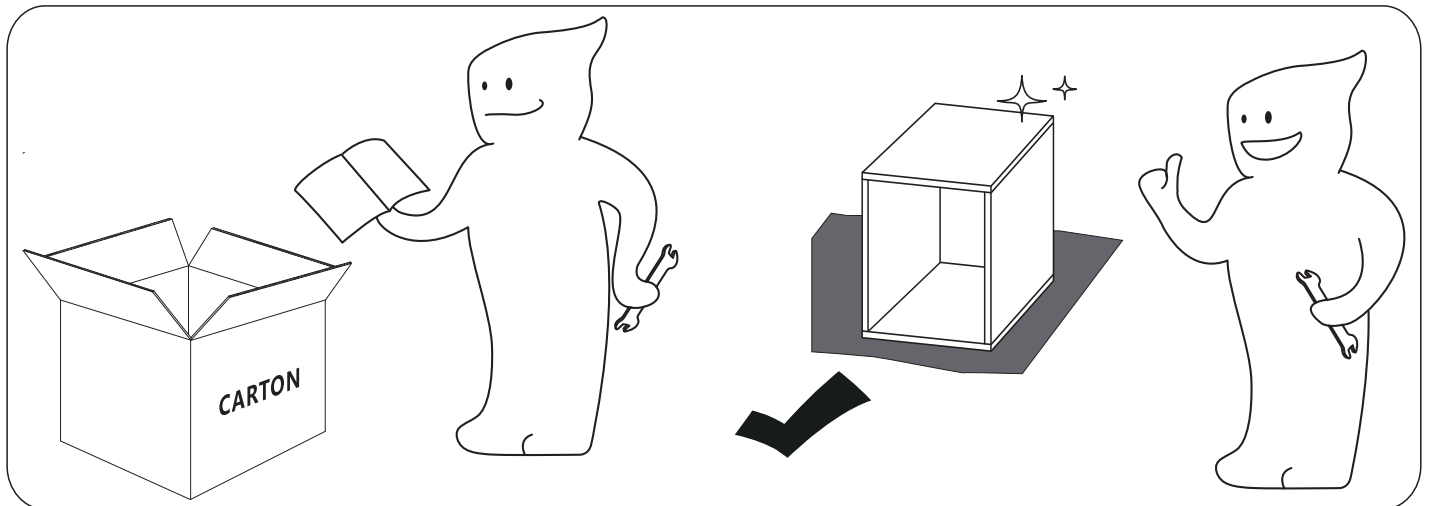
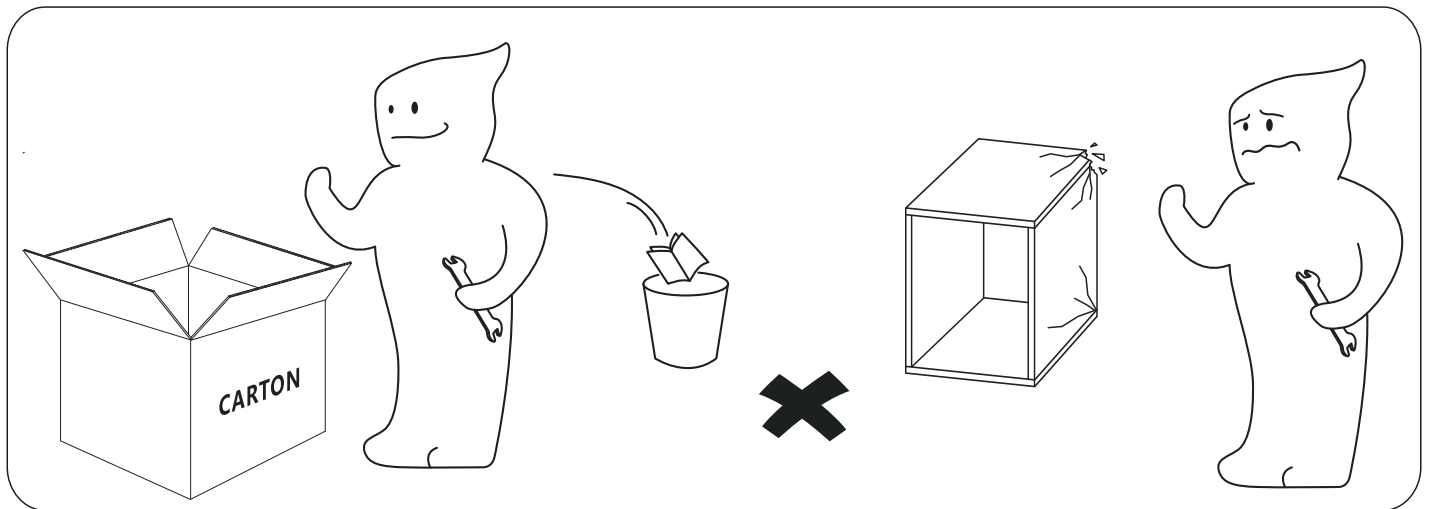
Dear Customers,

Thank you for purchasing our product. Please read this instruction manual carefully after receiving this product. It will help you assemble this product quickly, safely and correctly. You can keep this manual for future reference.

MADE IN CHINA

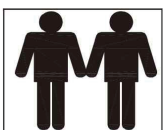
! IMPORTANT

Please follow the instruction manuals and use a pad to protect the product during your assembly.



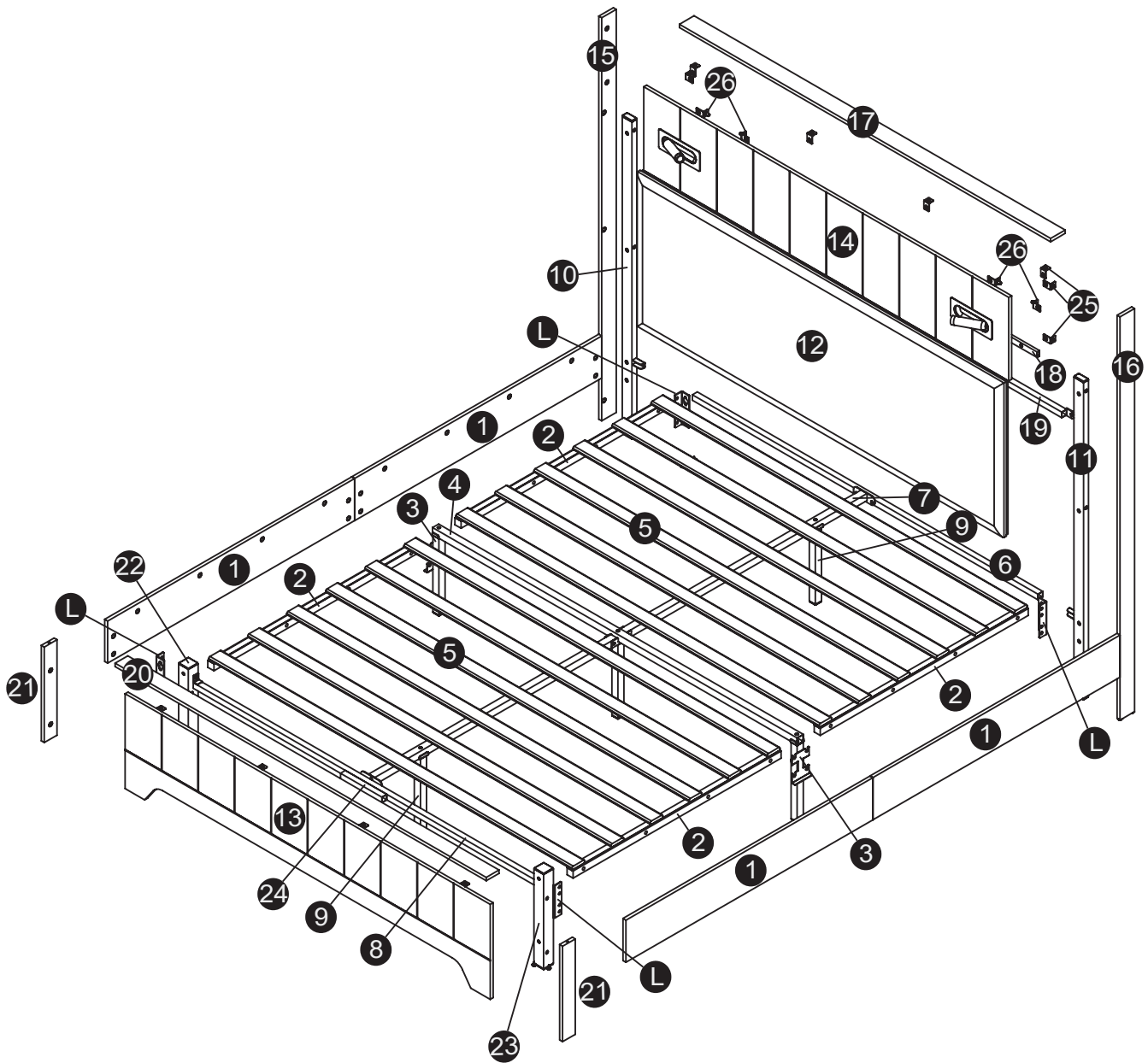
Note:

- 1. Should be assembled on flat ground to keep balance.**
- 2. Before completing the installation, do not tighten the screws.**



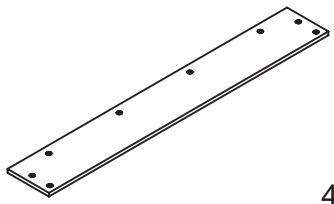
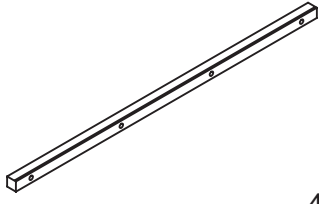
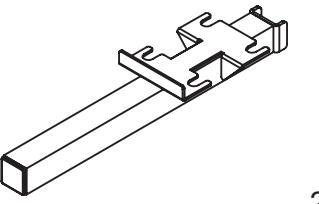
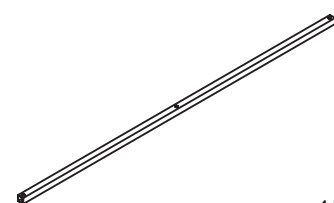
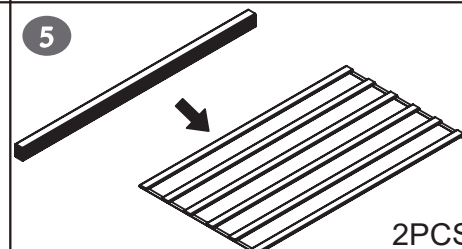
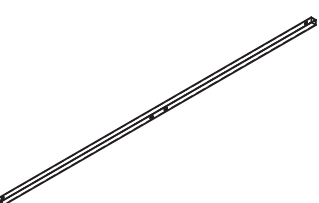
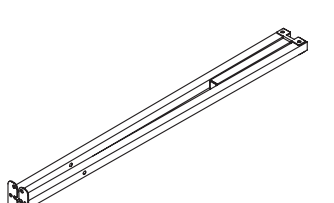
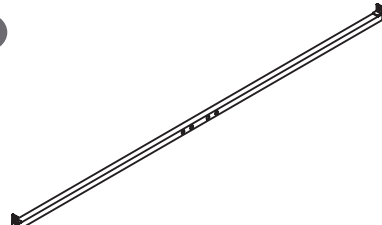
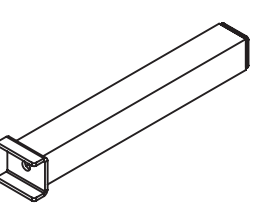
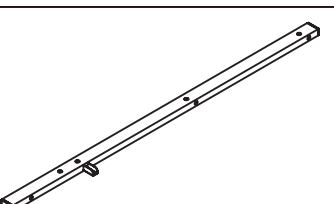
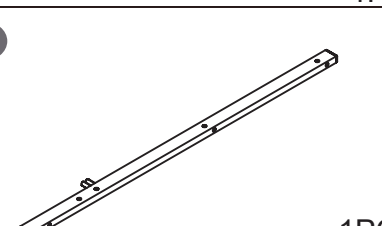
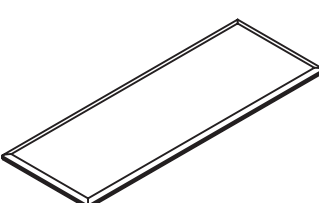
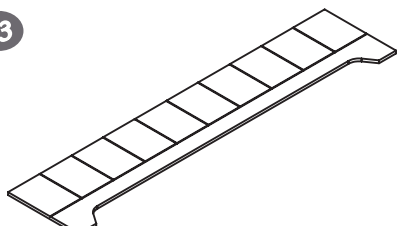
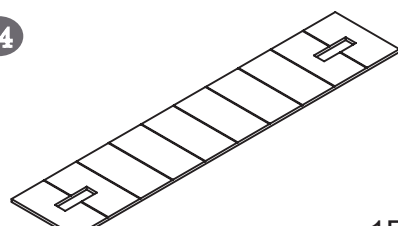
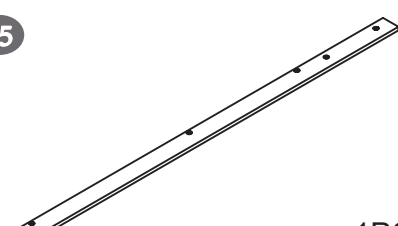
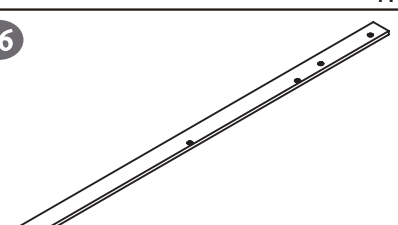
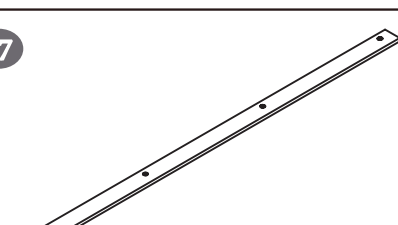
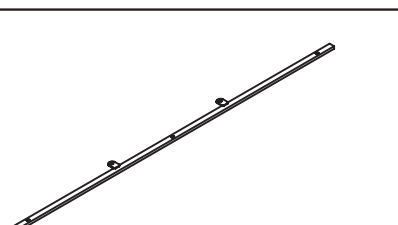
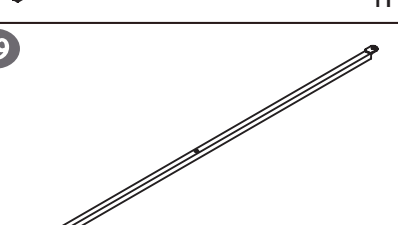
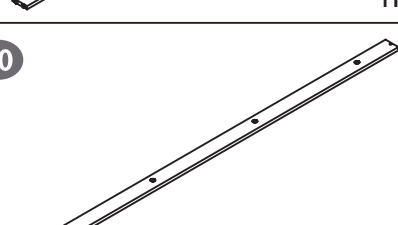
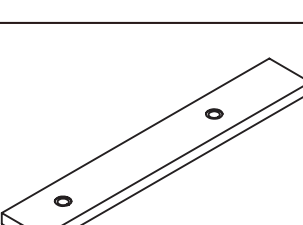
For easier and better assembly, **2** or more adults are required.

ASSEMBLY INSTRUCTIONS



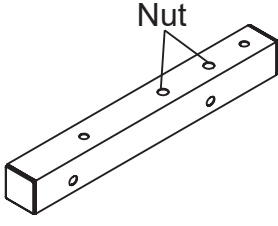
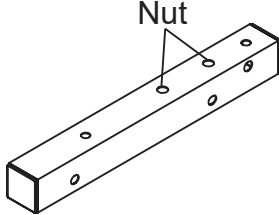
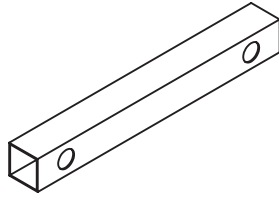
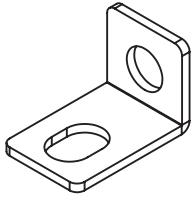
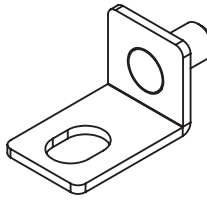
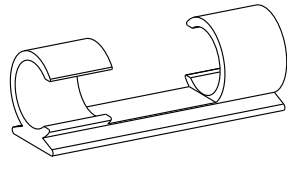
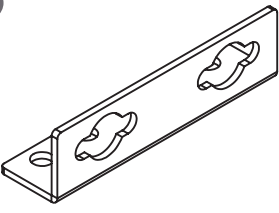
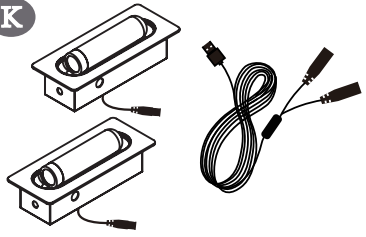
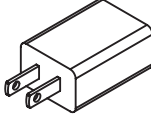
ASSEMBLY INSTRUCTIONS

PARTS LIST

 <p>1</p> <p>4PCS</p>	 <p>2</p> <p>4PCS</p>	 <p>3</p> <p>2PCS</p>
 <p>4</p> <p>1PC</p>	 <p>5</p> <p>2PCS</p>	 <p>6</p> <p>1PC</p>
 <p>7</p> <p>1PC</p>	 <p>8</p> <p>1PC</p>	 <p>9</p> <p>2PCS</p>
 <p>10</p> <p>1PC</p>	 <p>11</p> <p>1PC</p>	 <p>12</p> <p>1PC</p>
 <p>13</p> <p>1PC</p>	 <p>14</p> <p>1PC</p>	 <p>15</p> <p>1PC</p>
 <p>16</p> <p>1PC</p>	 <p>17</p> <p>1PC</p>	 <p>18</p> <p>1PC</p>
 <p>19</p> <p>1PC</p>	 <p>20</p> <p>1PC</p>	 <p>21</p> <p>2PCS</p>




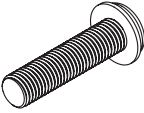
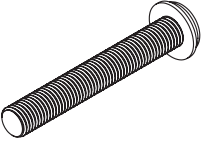
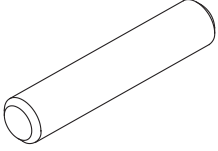
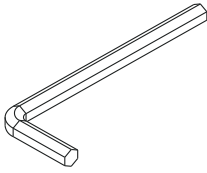
ASSEMBLY INSTRUCTIONS

PARTS LIST

<p>22</p>  <p>Nut</p> <p>1PC</p>	<p>23</p>  <p>Nut</p> <p>1PC</p>	<p>24</p>  <p>1PC</p>
<p>25</p>  <p>12PCS</p>	<p>26</p>  <p>4PCS</p>	<p>27</p>  <p>2PCS</p>
<p>L</p>  <p>4PCS</p>	<p>K</p>  <p>1PC</p>	<p>K1</p>  <p>1PC</p>

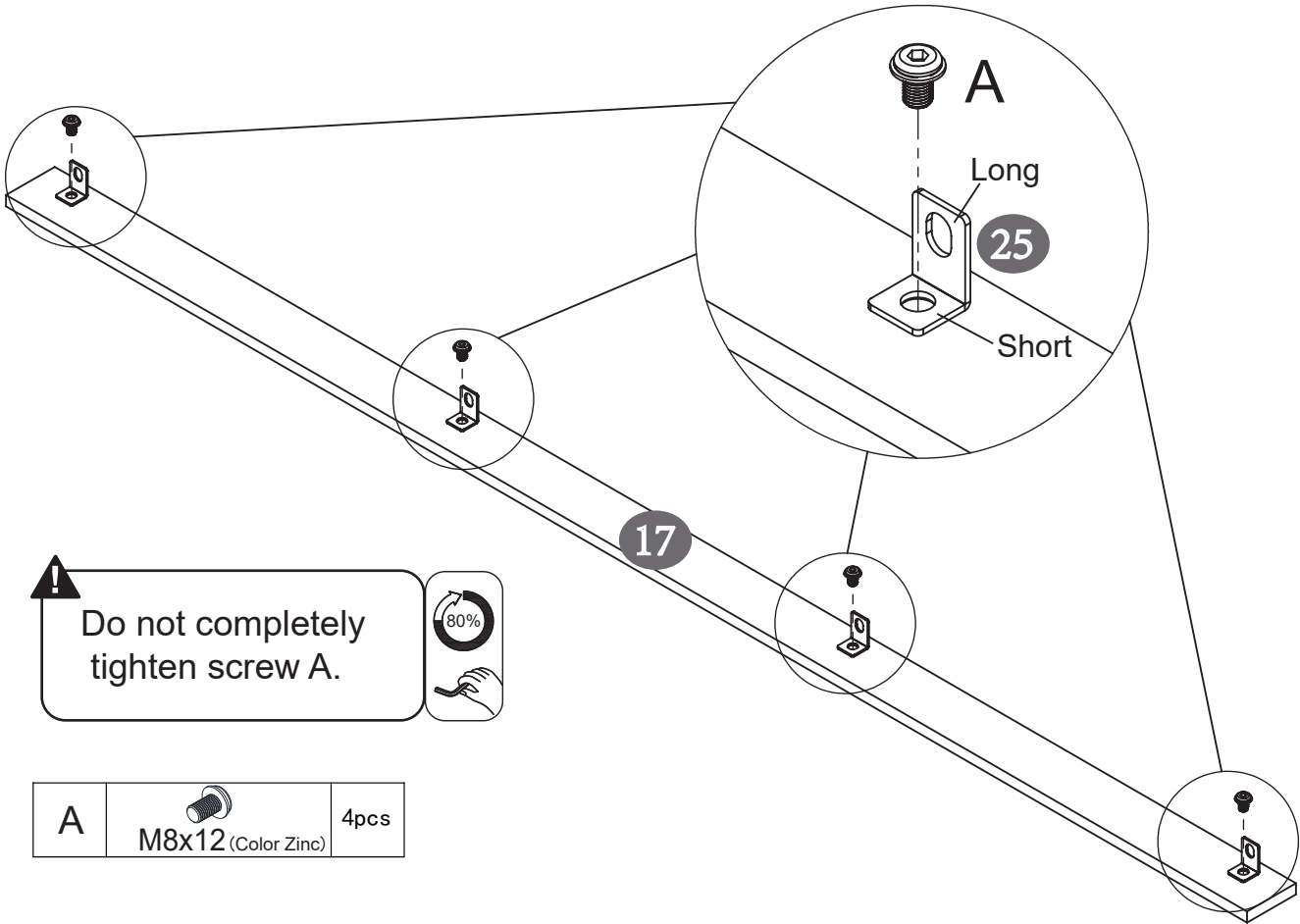
ASSEMBLY INSTRUCTIONS

PARTS LIST

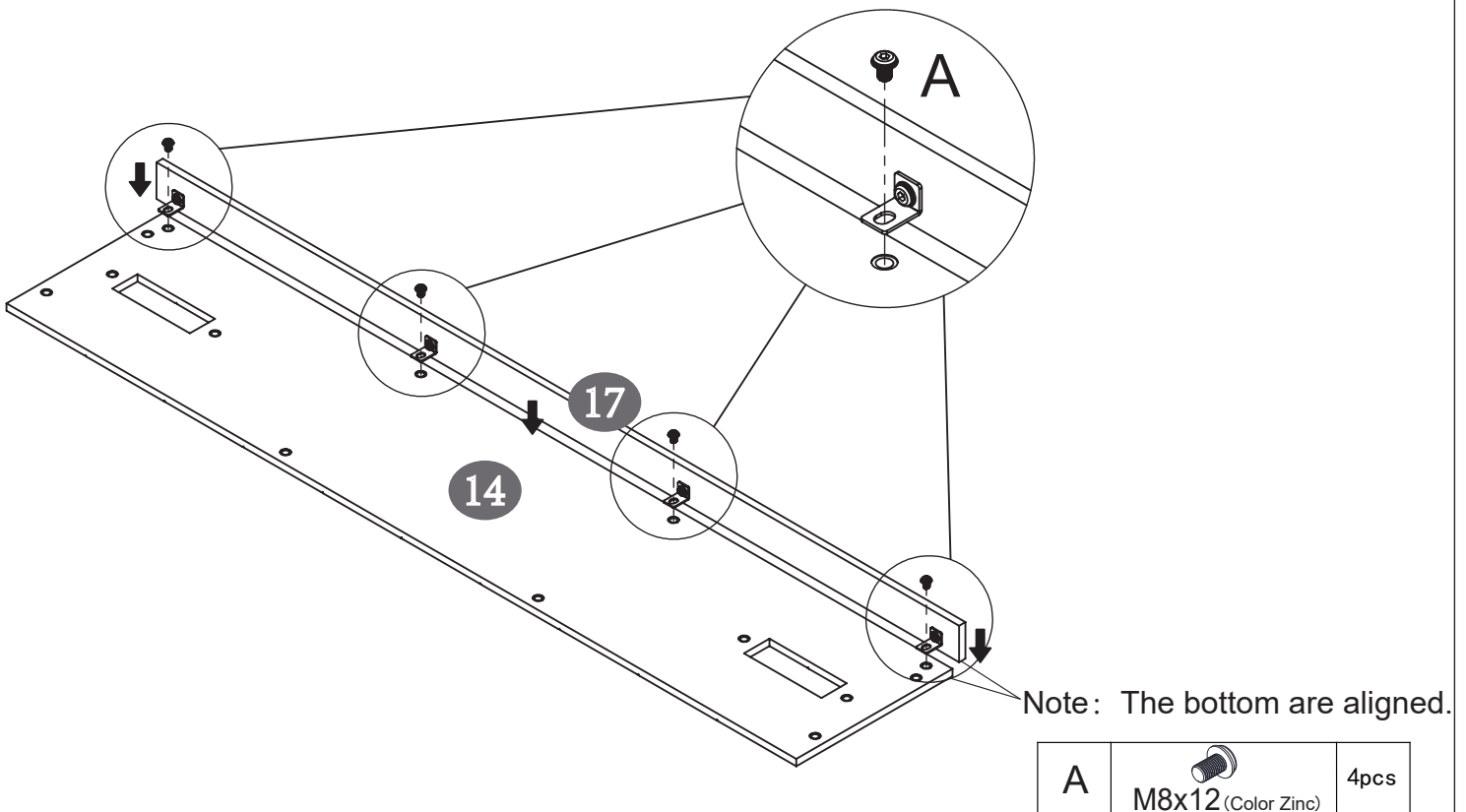
<p>A</p>  <p>M8x12 Color Zinc</p> <p>46PCS</p>	<p>B</p>  <p>M8x16</p> <p>10PCS</p>	<p>C</p>  <p>M8x20 Color Zinc</p> <p>7PCS</p>
<p>D</p>  <p>M8x33</p> <p>31PCS</p>	<p>E</p>  <p>M8x50</p> <p>15PCS</p>	<p>F</p>  <p>2PCS</p>
<p>G</p>  <p>M8</p> <p>1PC</p>		

ASSEMBLY INSTRUCTIONS

1

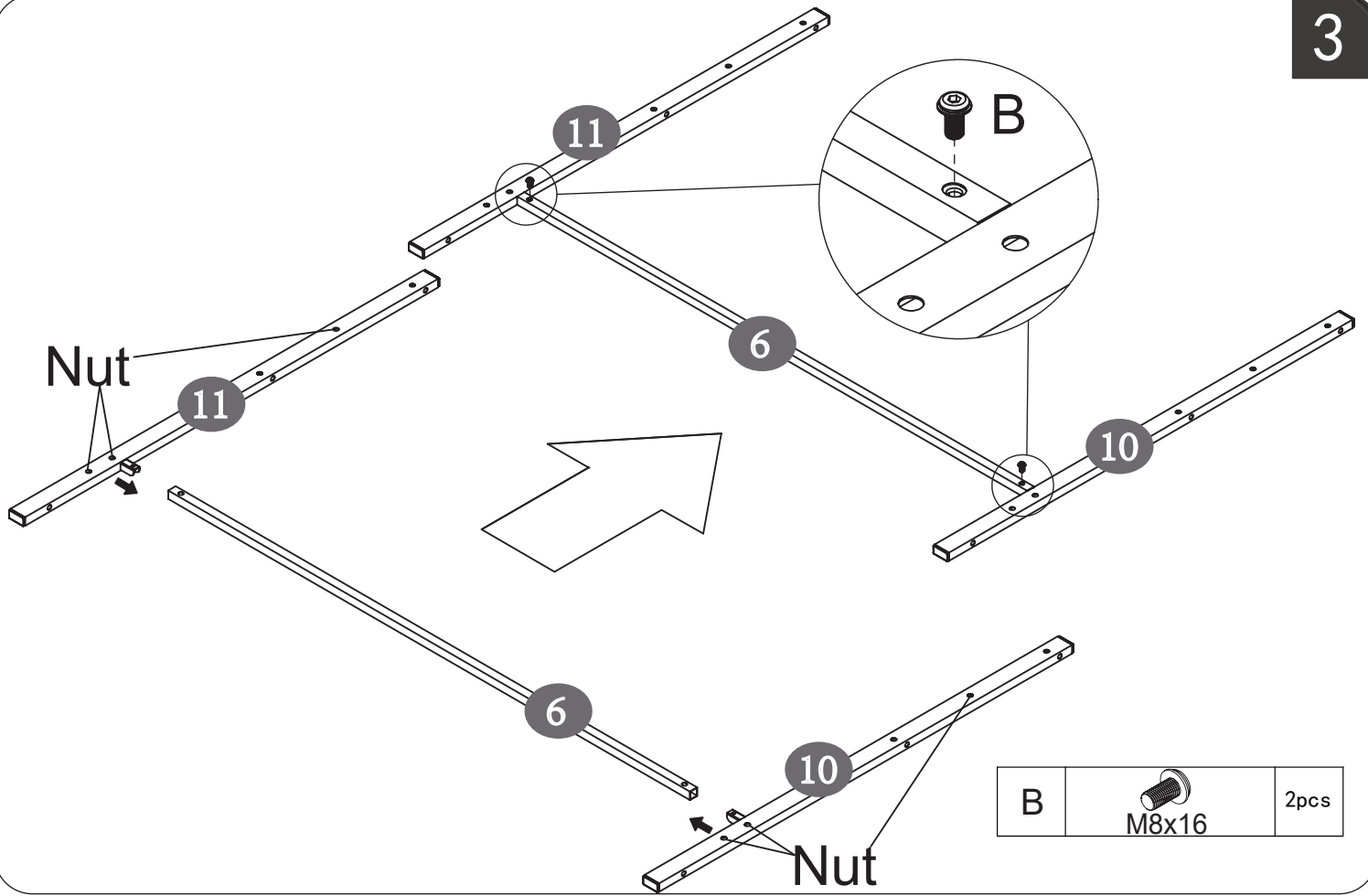


2

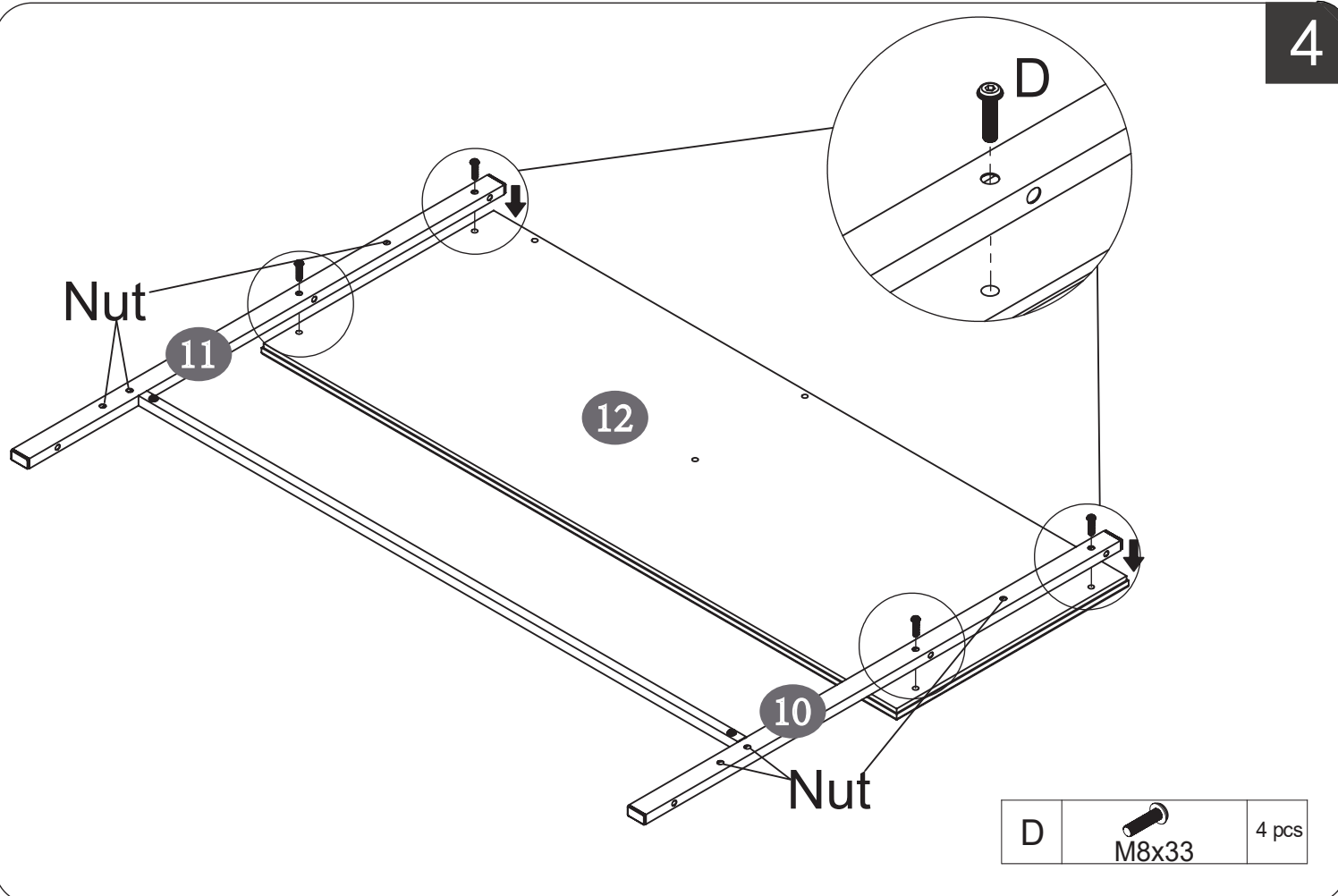


ASSEMBLY INSTRUCTIONS

3

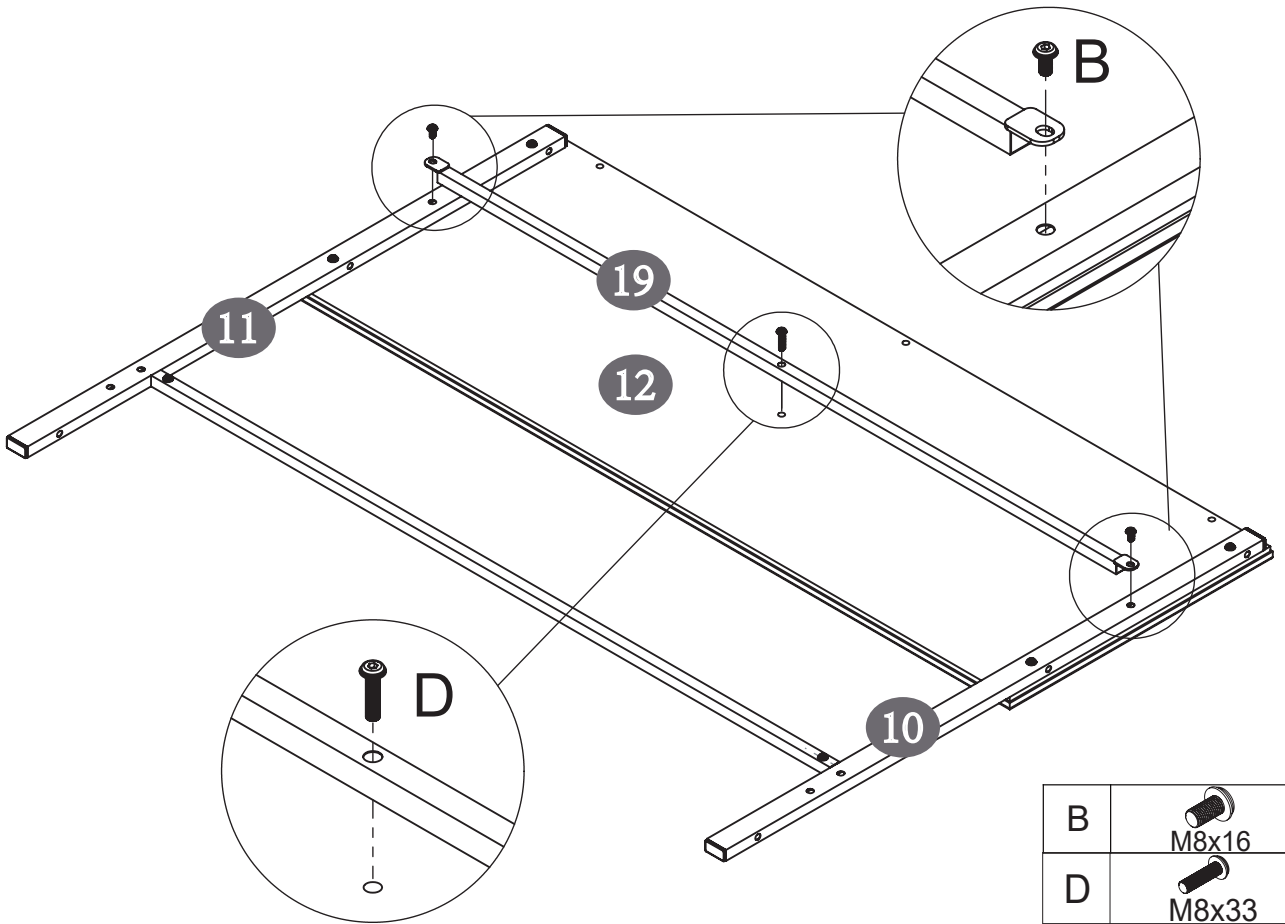


4



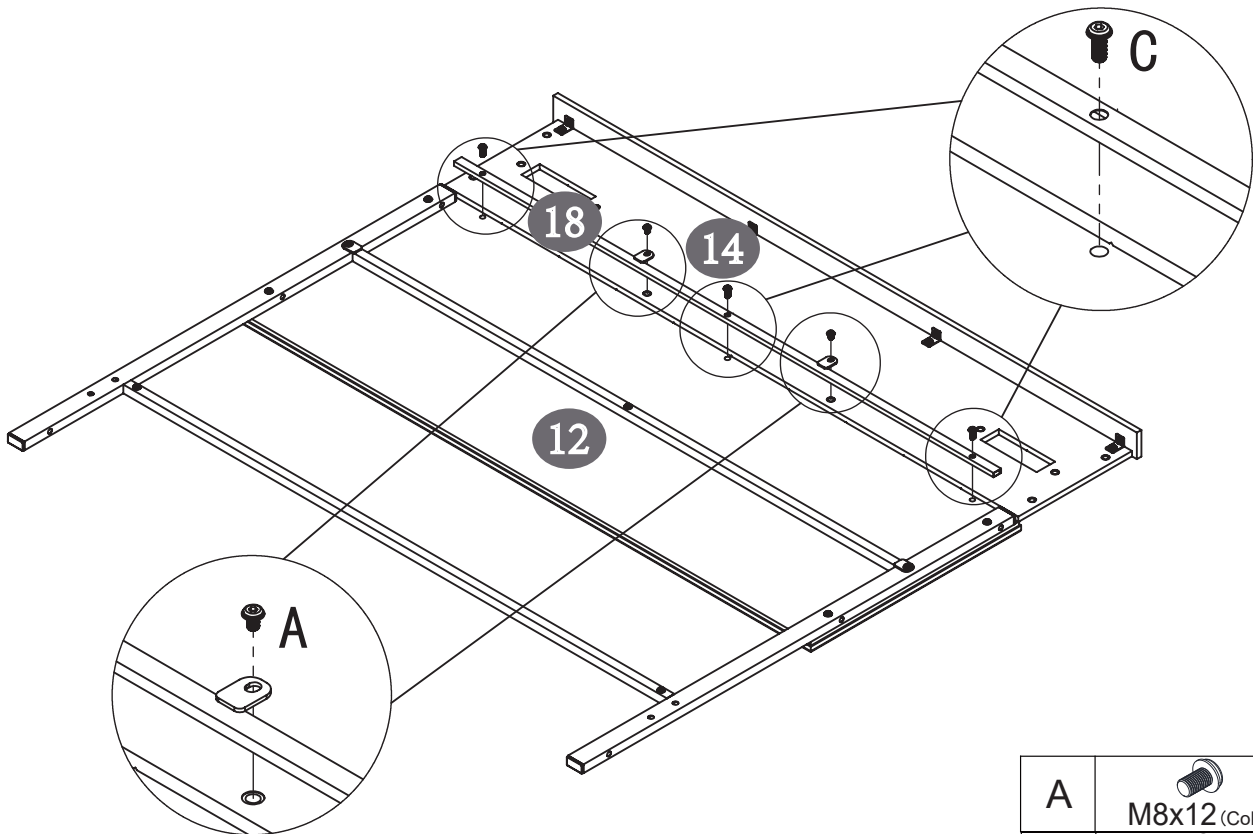
ASSEMBLY INSTRUCTIONS

5



B	 M8x16	2pcs
D	 M8x33	1pc

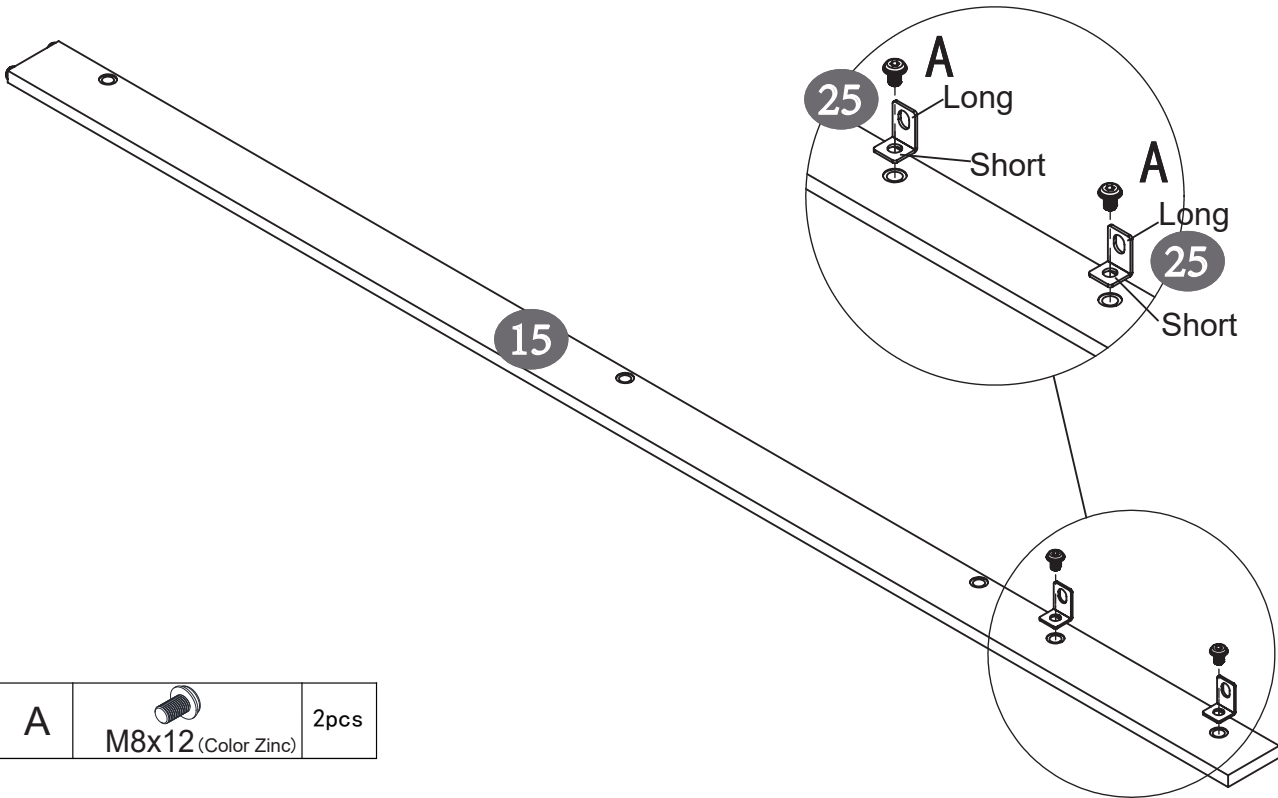
6



A	 M8x12 (Color Zinc)	2pcs
C	 M8x20 (Color Zinc)	3pcs

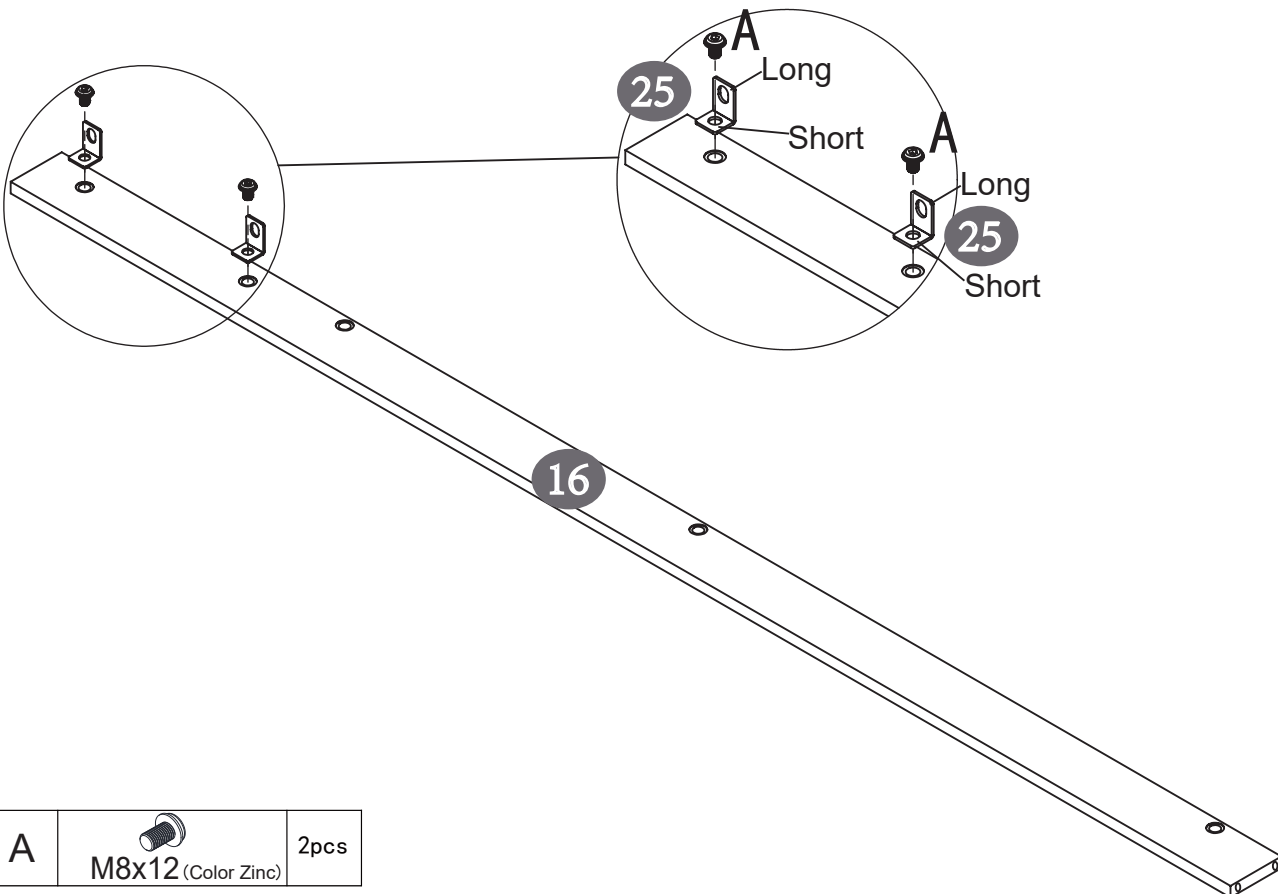
ASSEMBLY INSTRUCTIONS

7



A		2pcs
M8x12 (Color Zinc)		

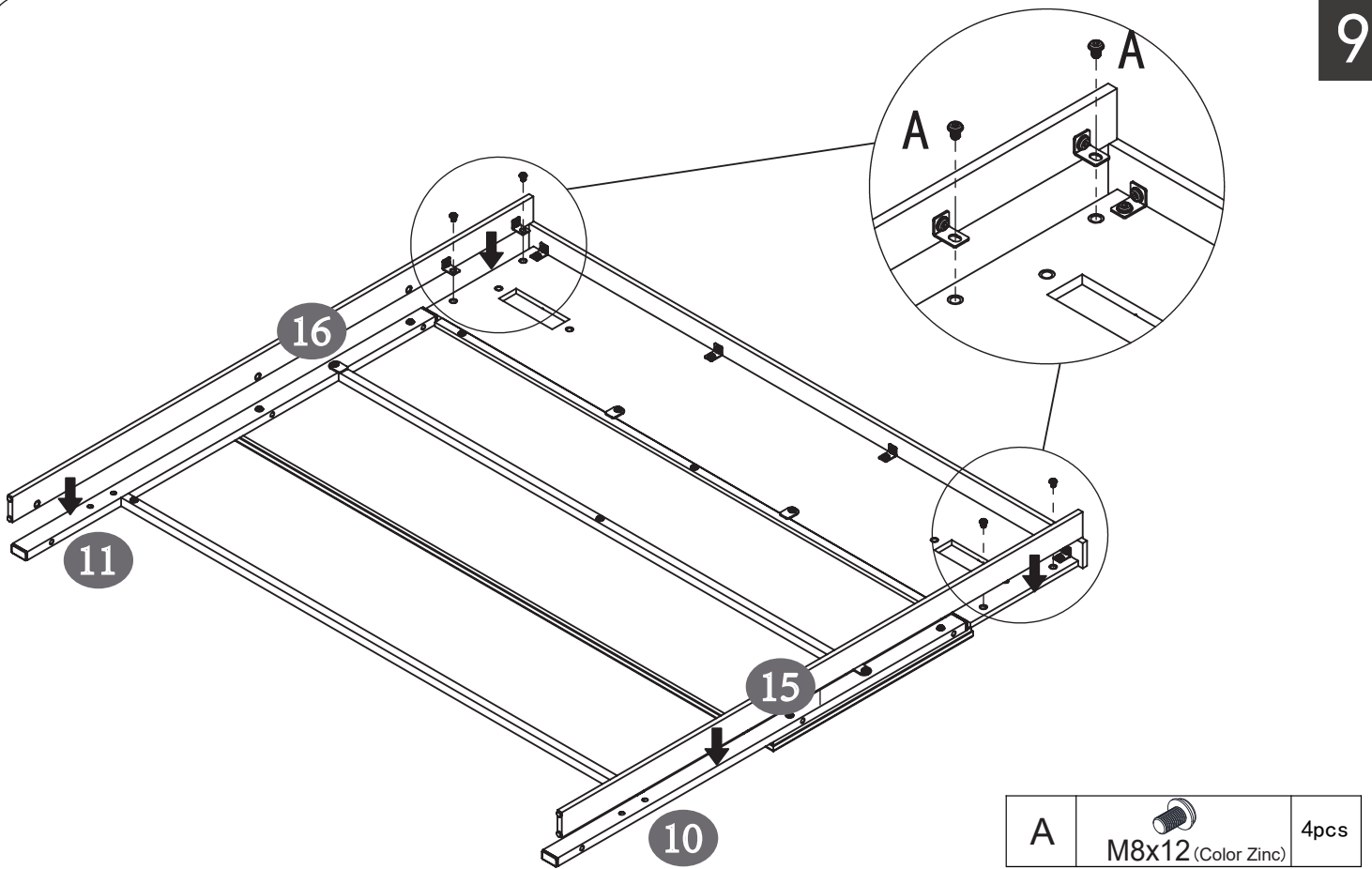
8



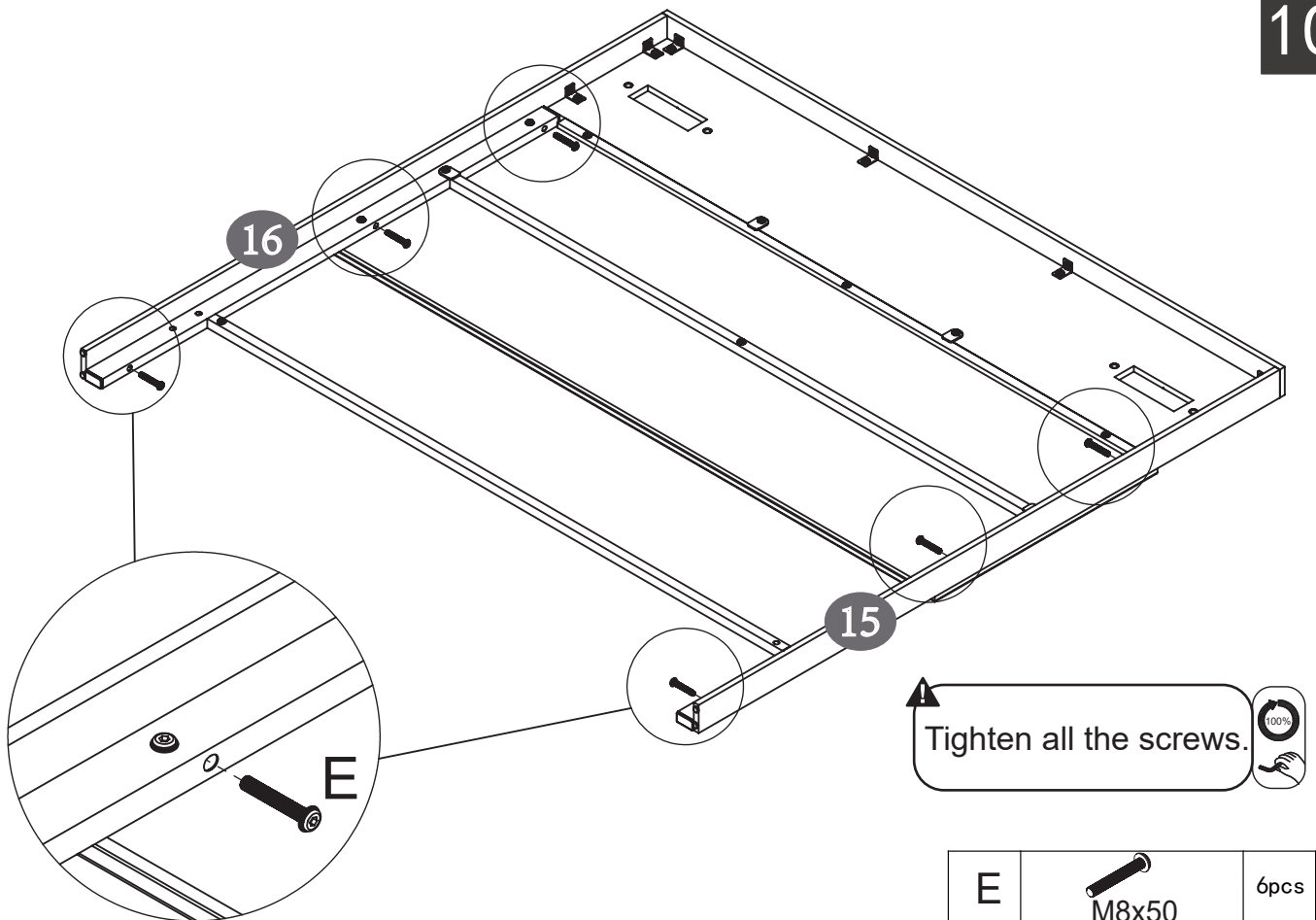
A		2pcs
M8x12 (Color Zinc)		

ASSEMBLY INSTRUCTIONS

9

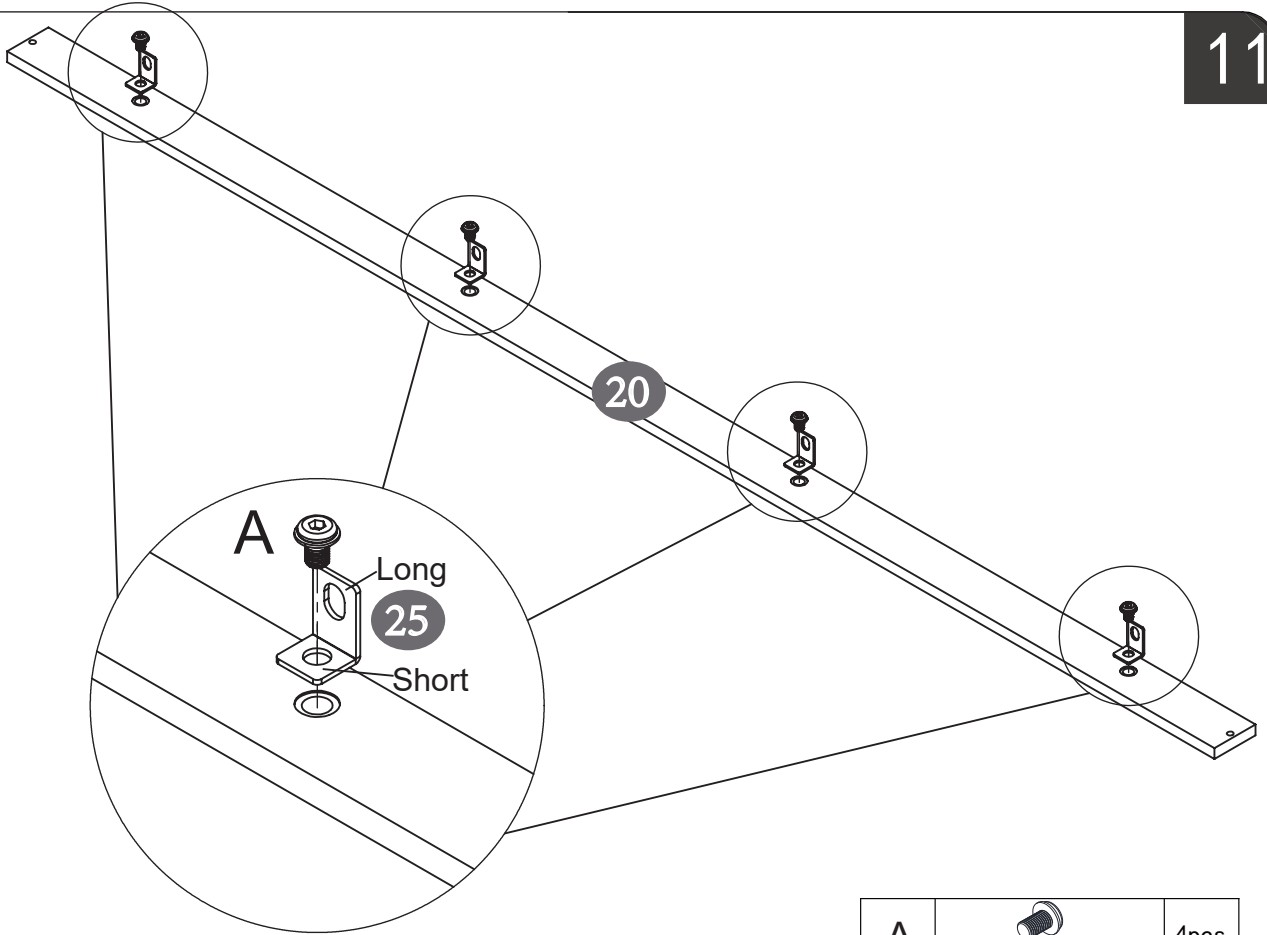


10



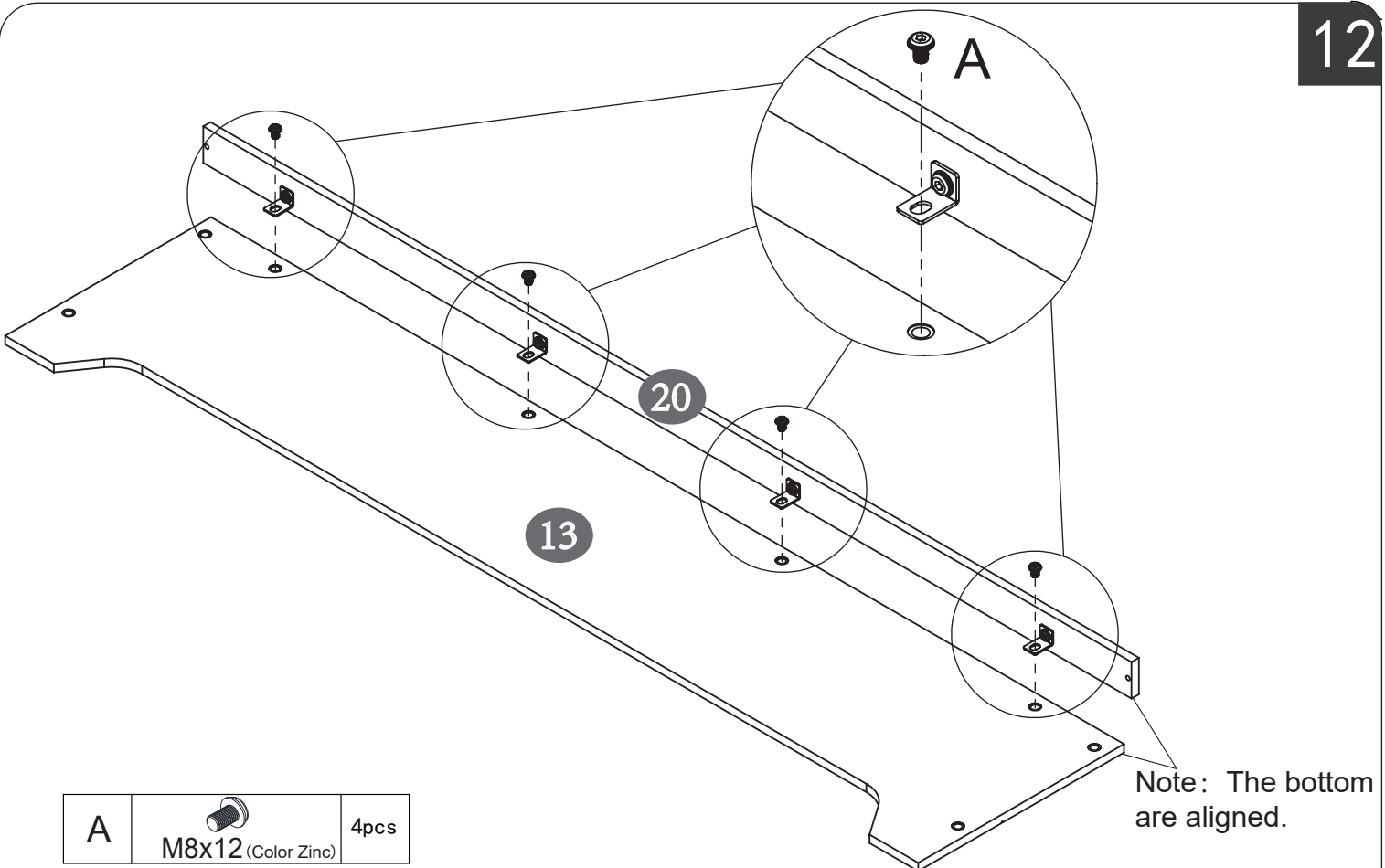
ASSEMBLY INSTRUCTIONS

11



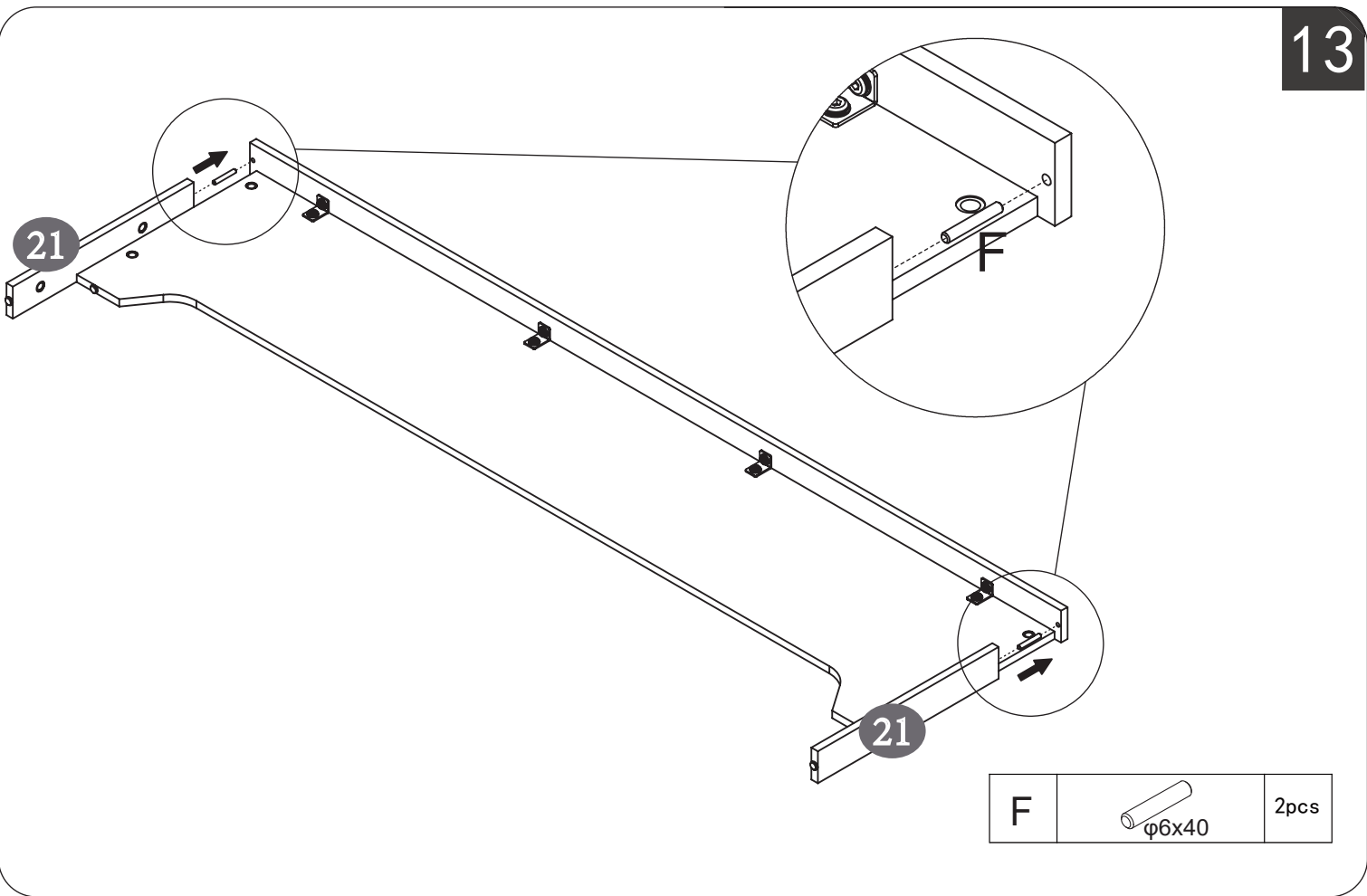
A	 M8x12 (Color Zinc)	4pcs
---	--	------

12

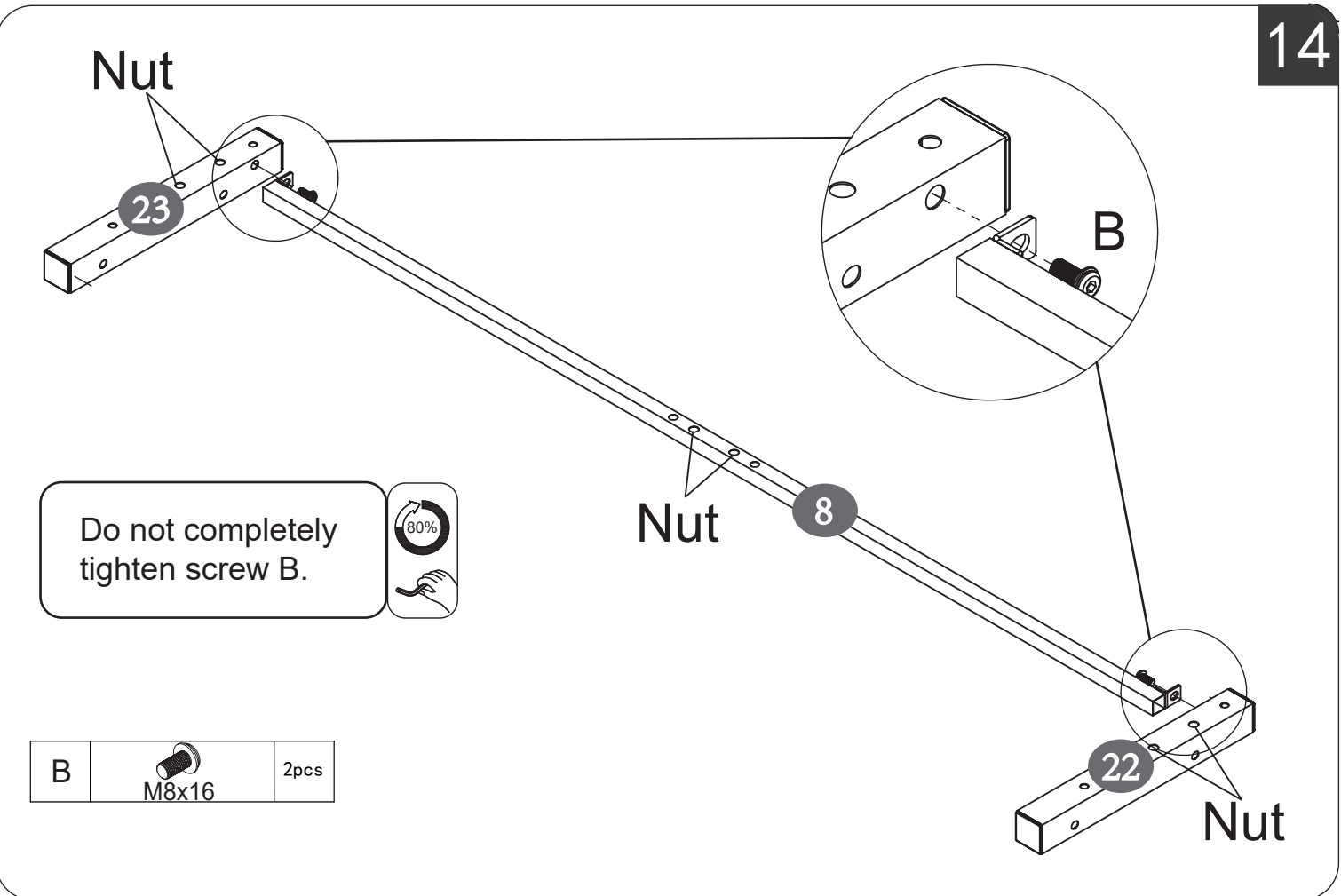


A	 M8x12 (Color Zinc)	4pcs
---	--	------

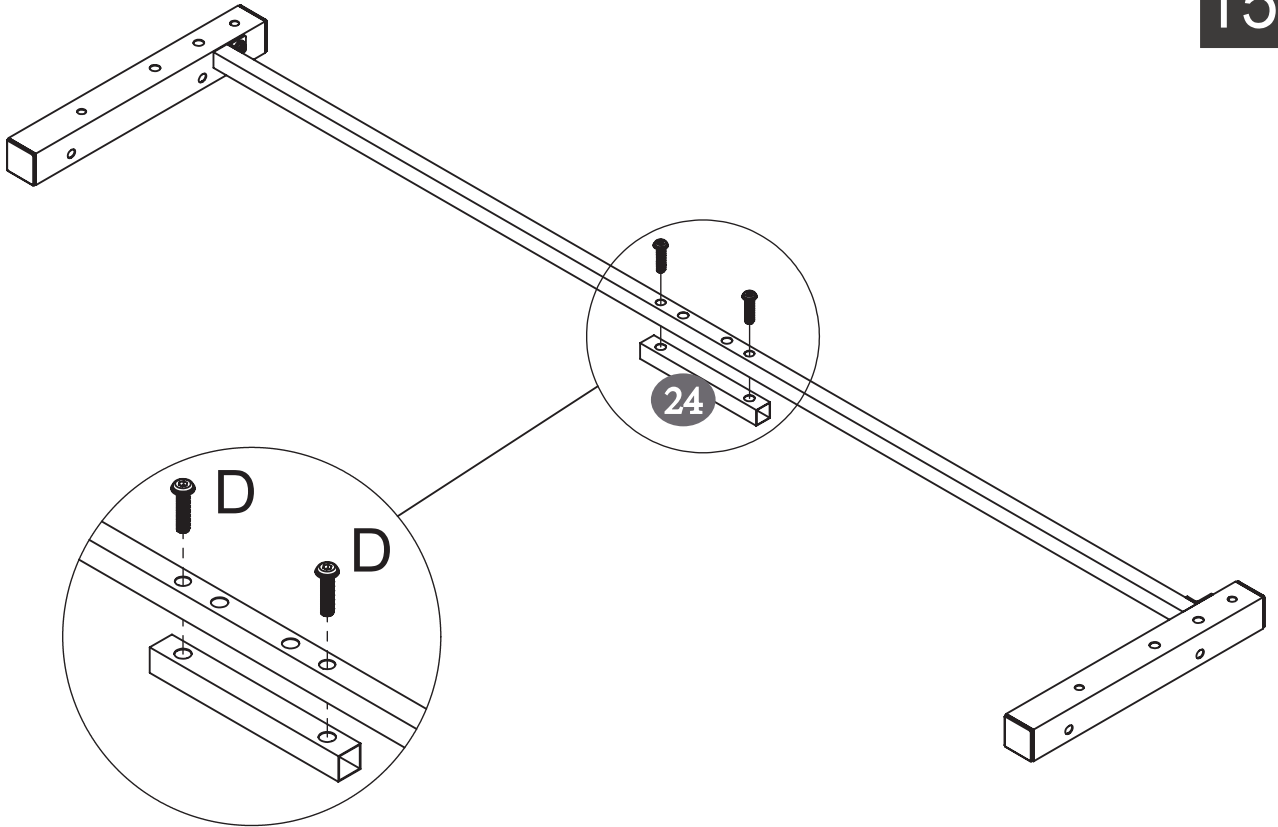
13



14

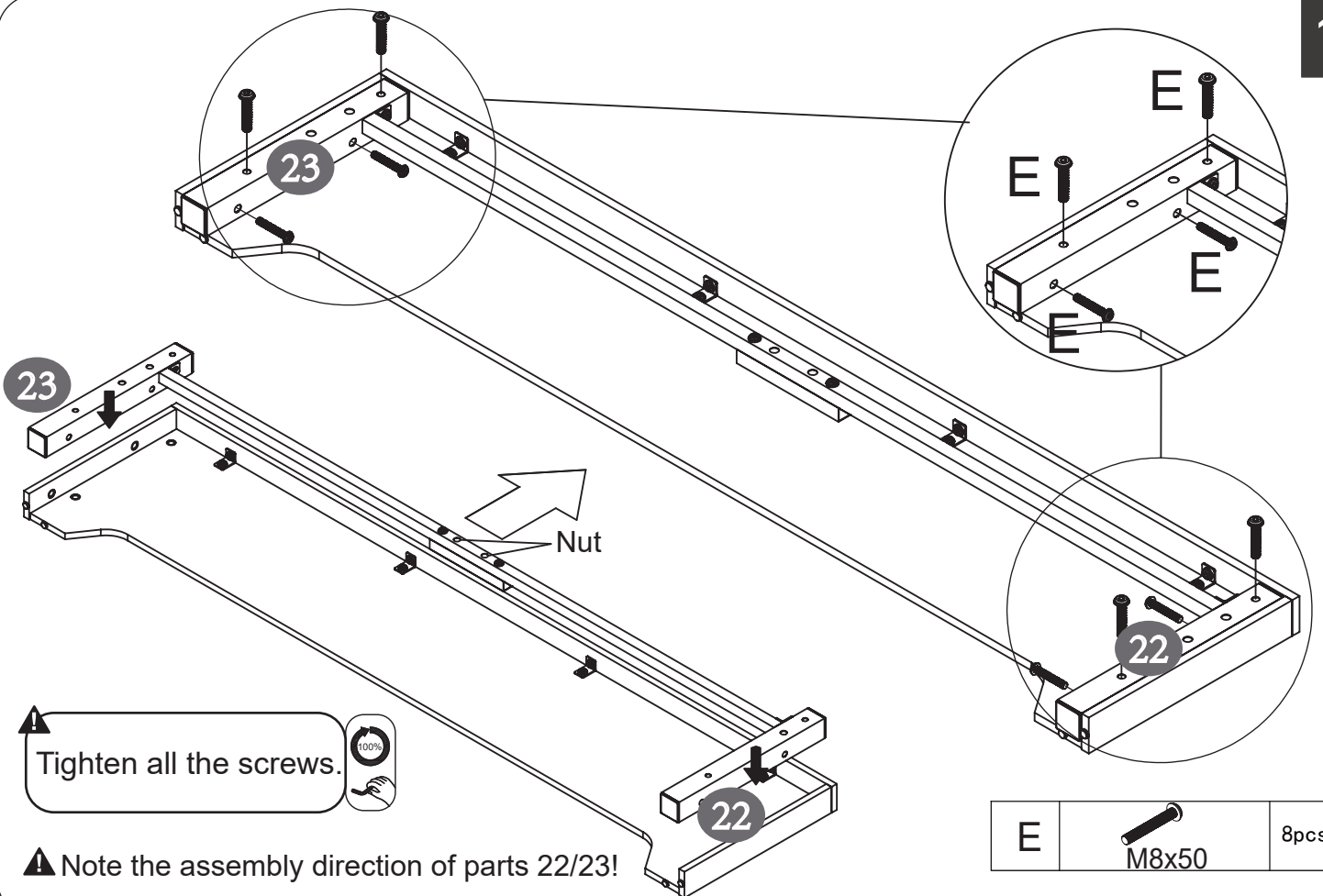



15



D		2 pcs
	M8x33	

16

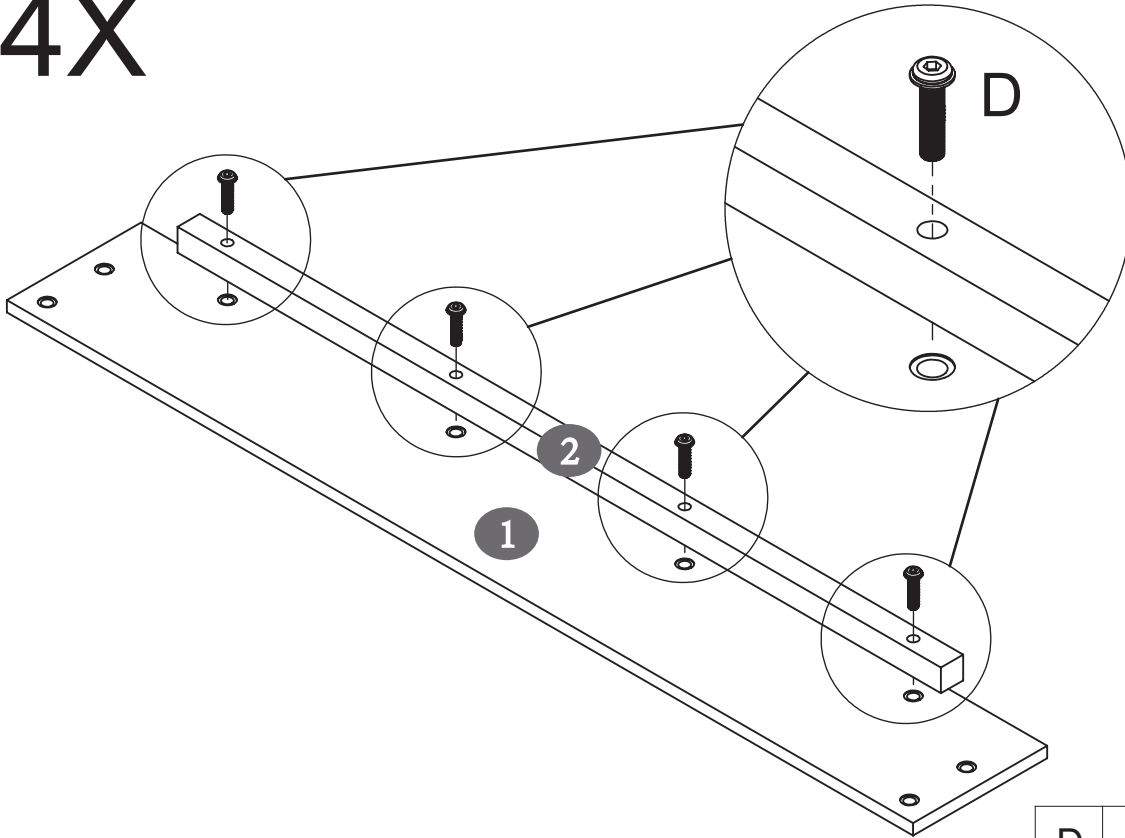


Tighten all the screws. 

▲ Note the assembly direction of parts 22/23!

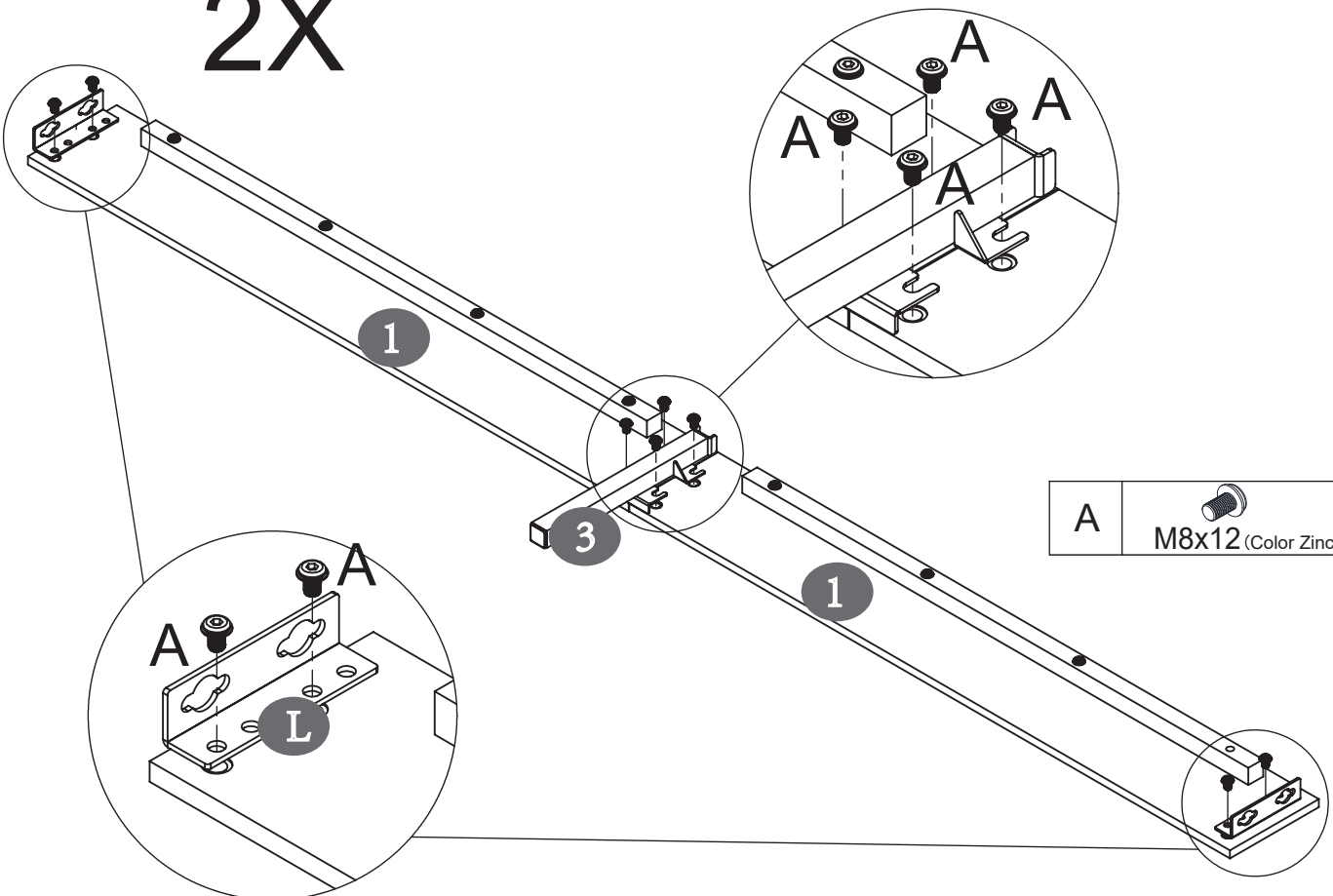
E		8 pcs
	M8x50	

4X



D	 M8x33	16pcs
---	---	-------

2X

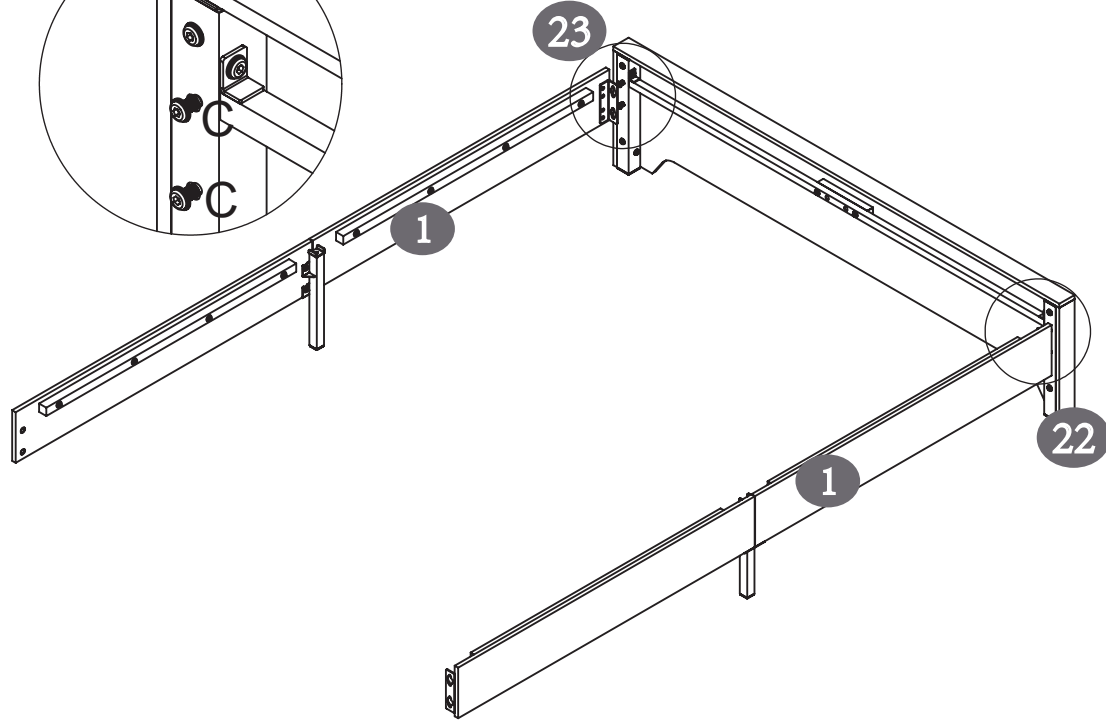
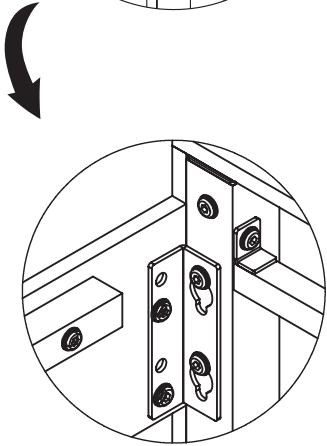
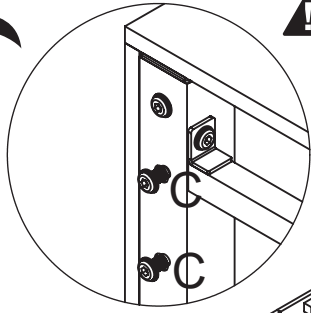
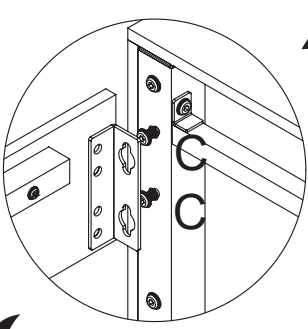


A	 M8x12 (Color Zinc)	16pcs
---	--	-------

ASSEMBLY INSTRUCTIONS

19

⚠ Install screws loosely,
don't fully tighten

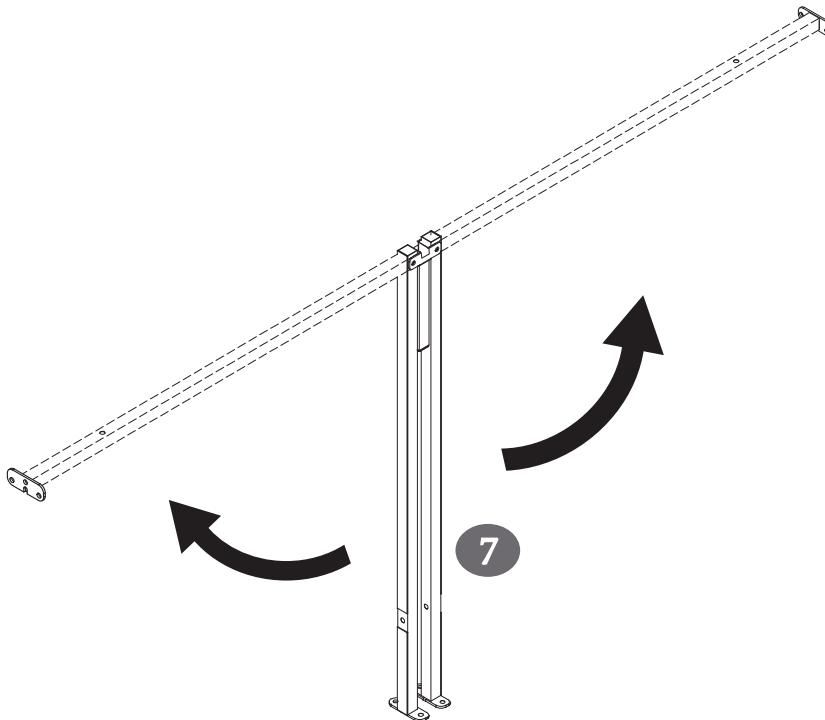


⚠ Tighten screws C.

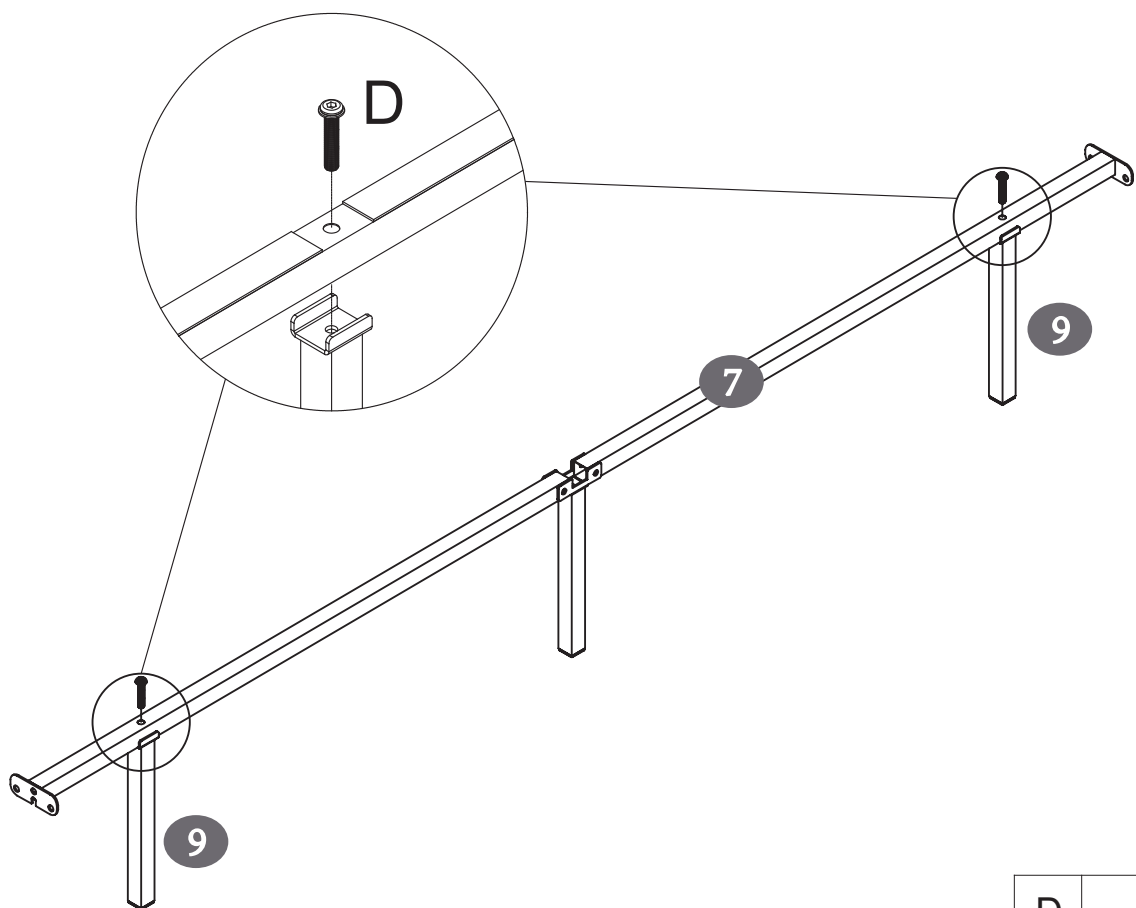
C	 M8x20 (Color Zinc)	4pcs
---	--	------

20

WARNING!
Moving parts can crush or cut.
Keep fingers, hands, and feet away to avoid injury.

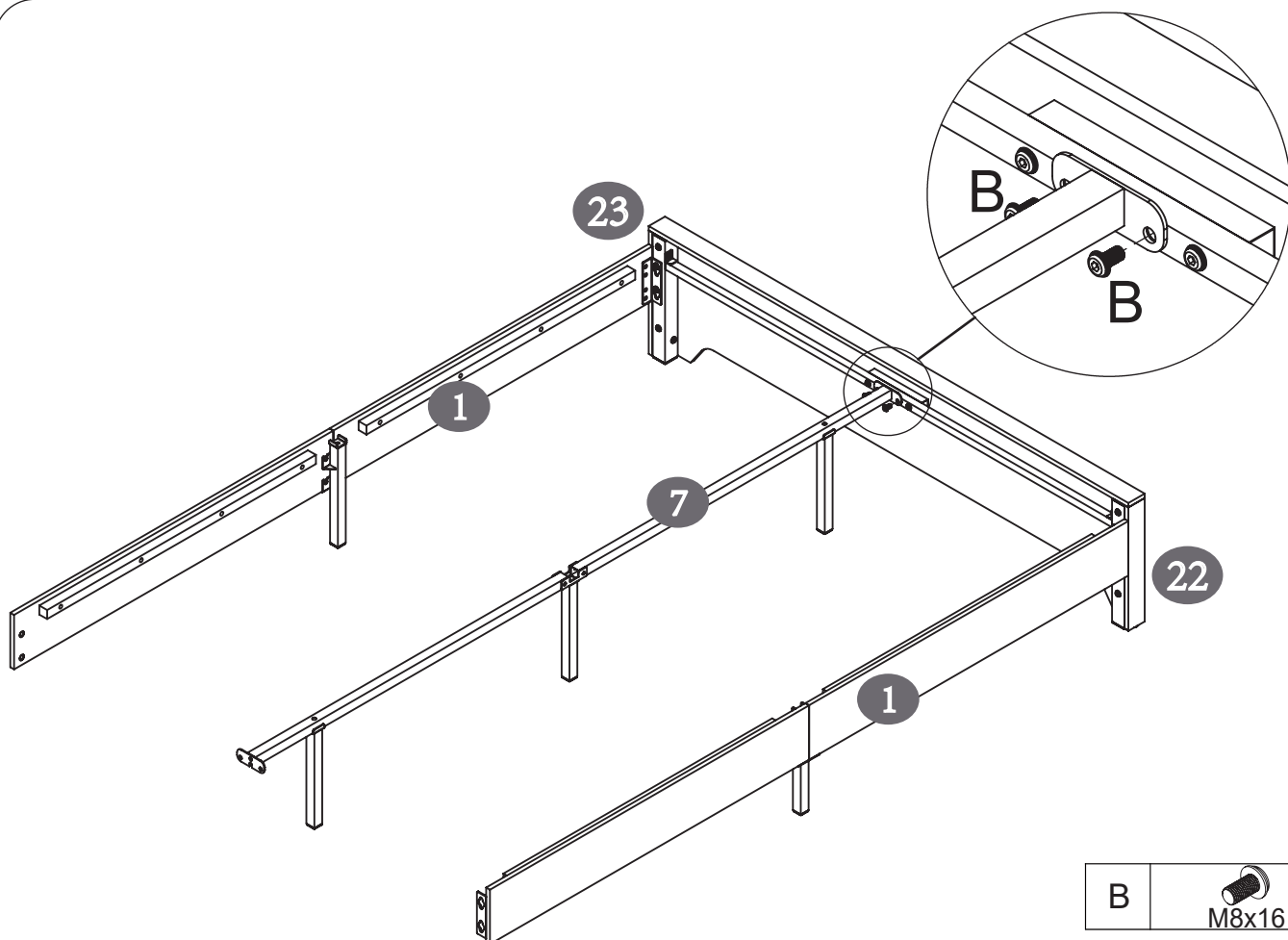


21



D	 M8x33	2 pcs
---	---	-------

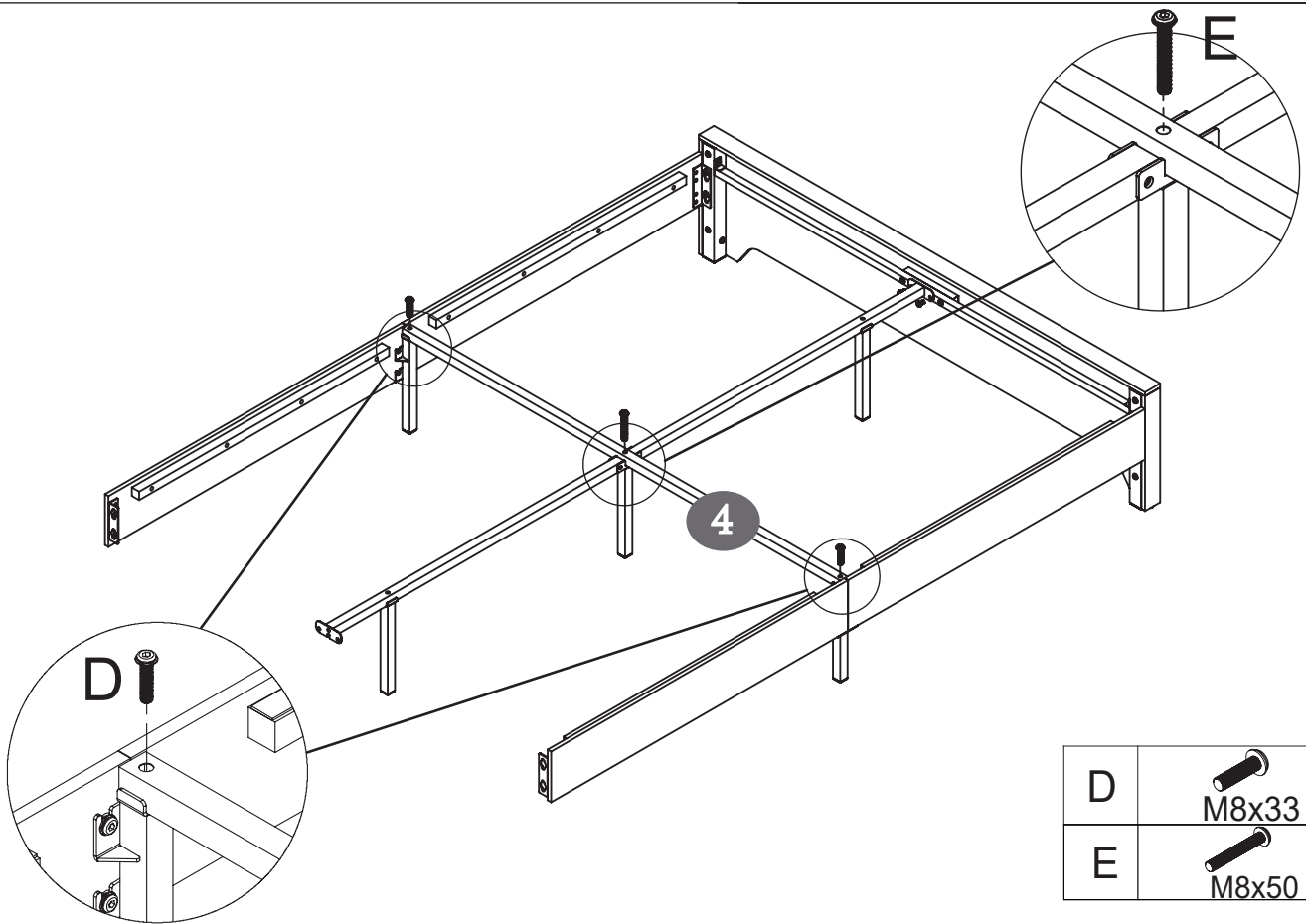
22



B	 M8x16	2 pcs
---	---	-------

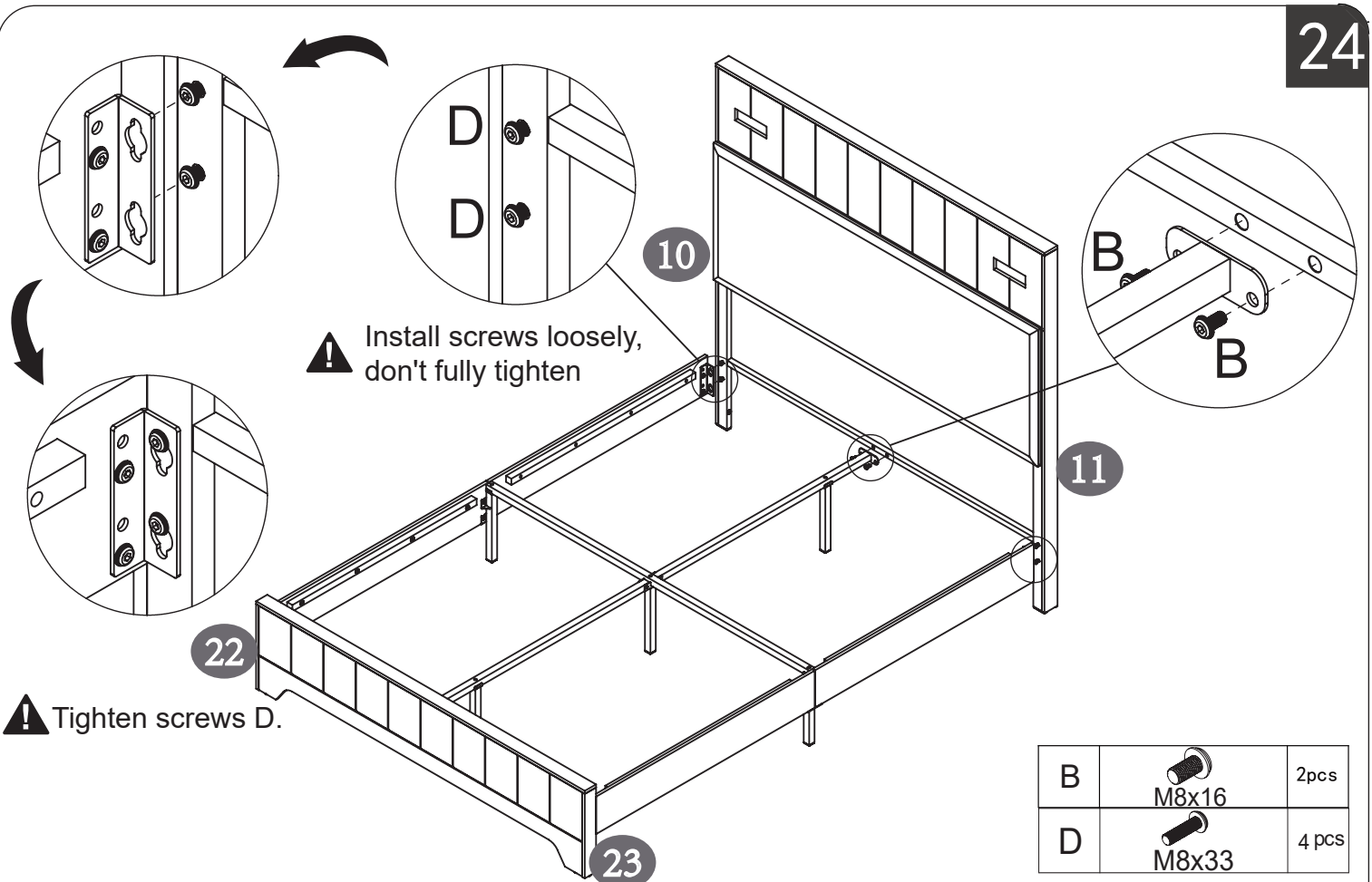
ASSEMBLY INSTRUCTIONS

23



D	 M8x33	2 pcs
E	 M8x50	1 pc

24

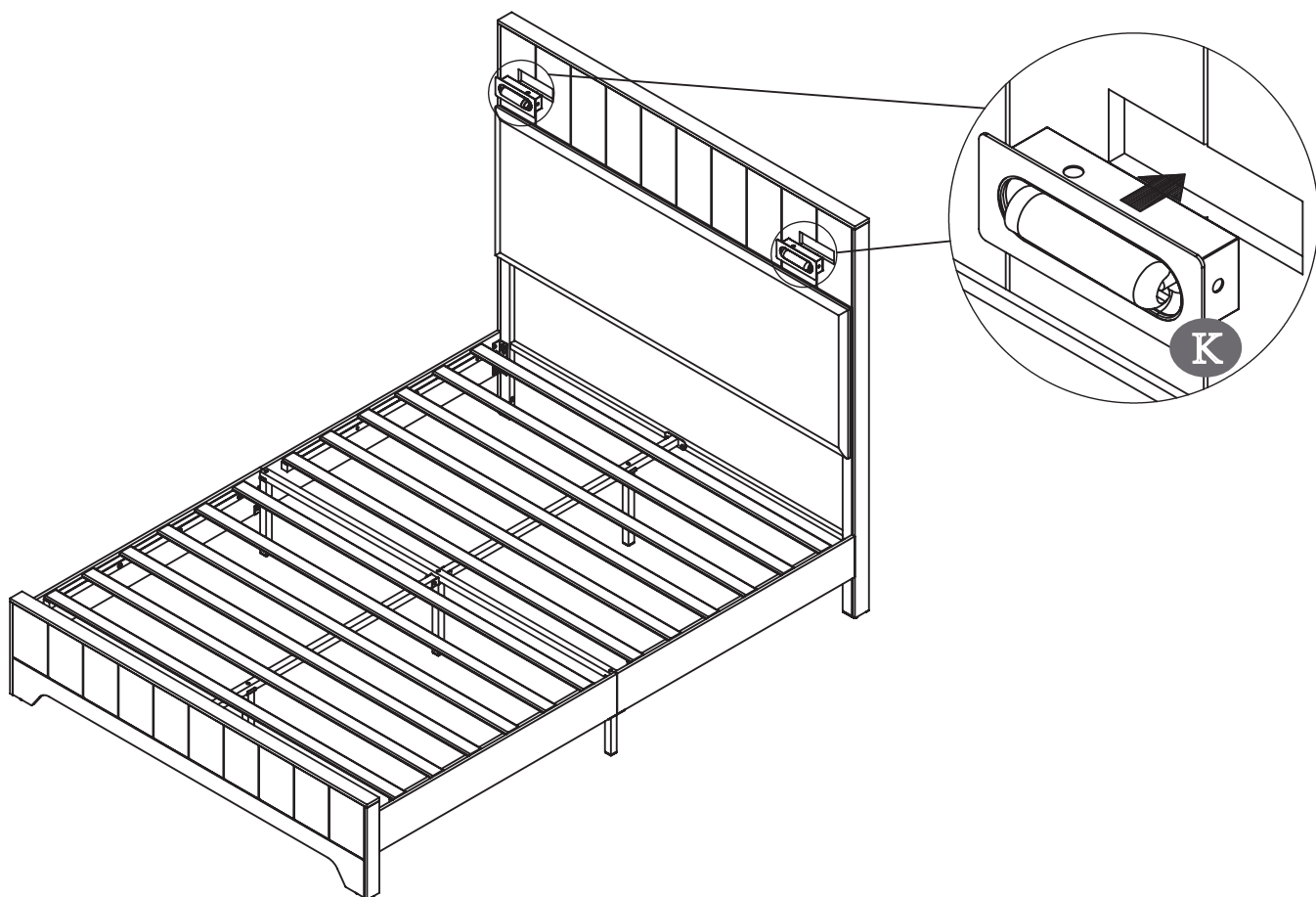
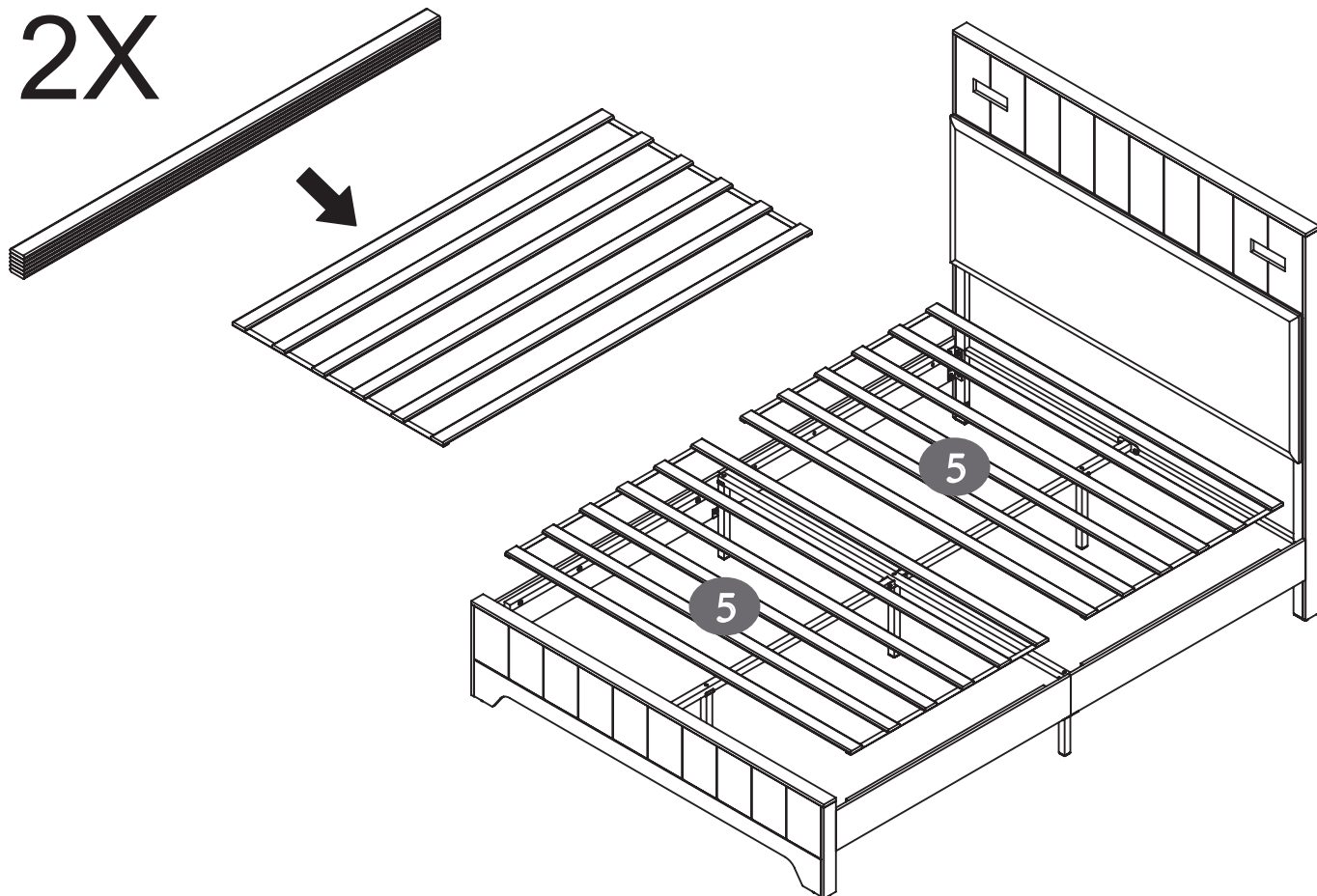


⚠ Install screws loosely, don't fully tighten

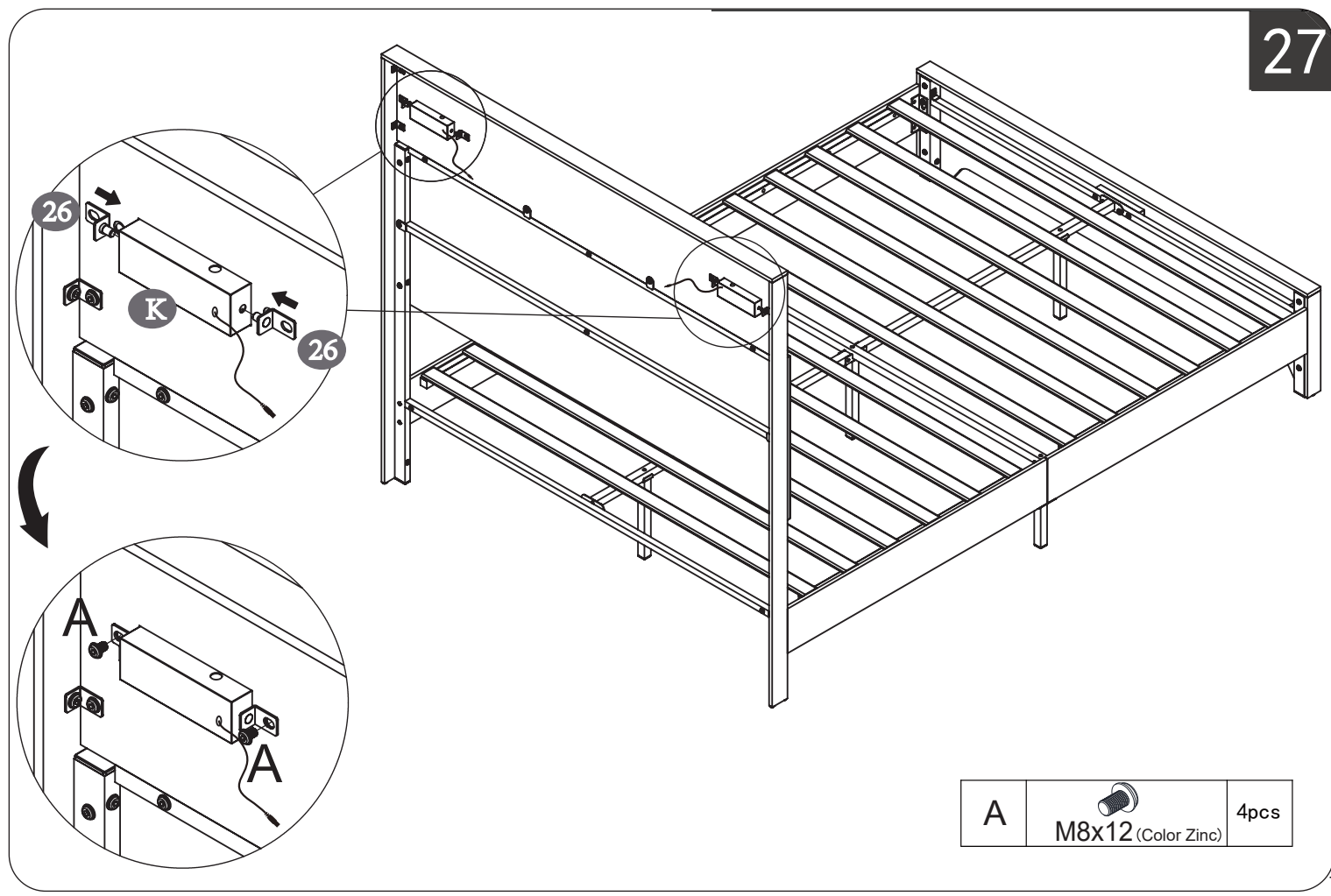
⚠ Tighten screws D.

B	 M8x16	2 pcs
D	 M8x33	4 pcs

2X

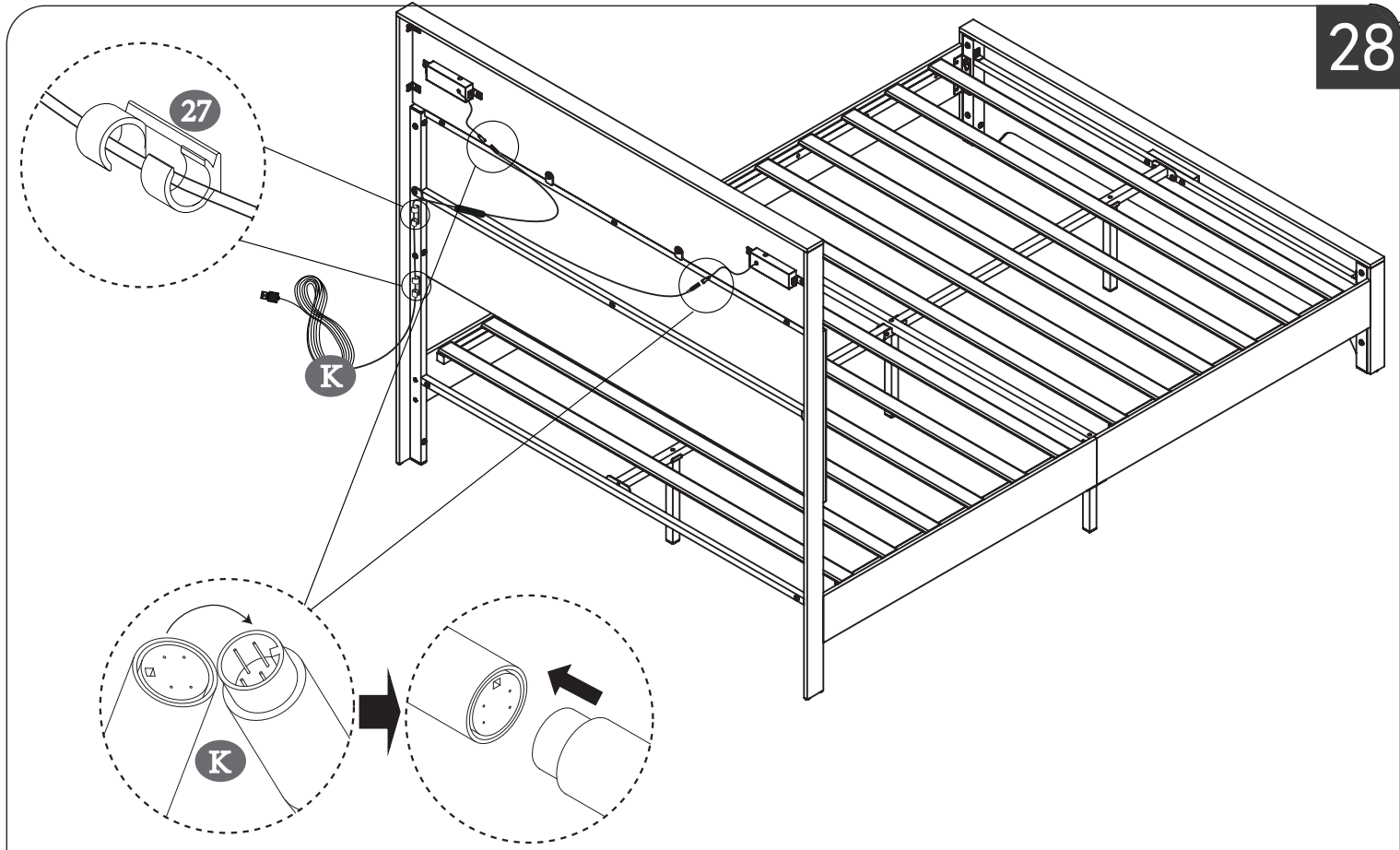


27

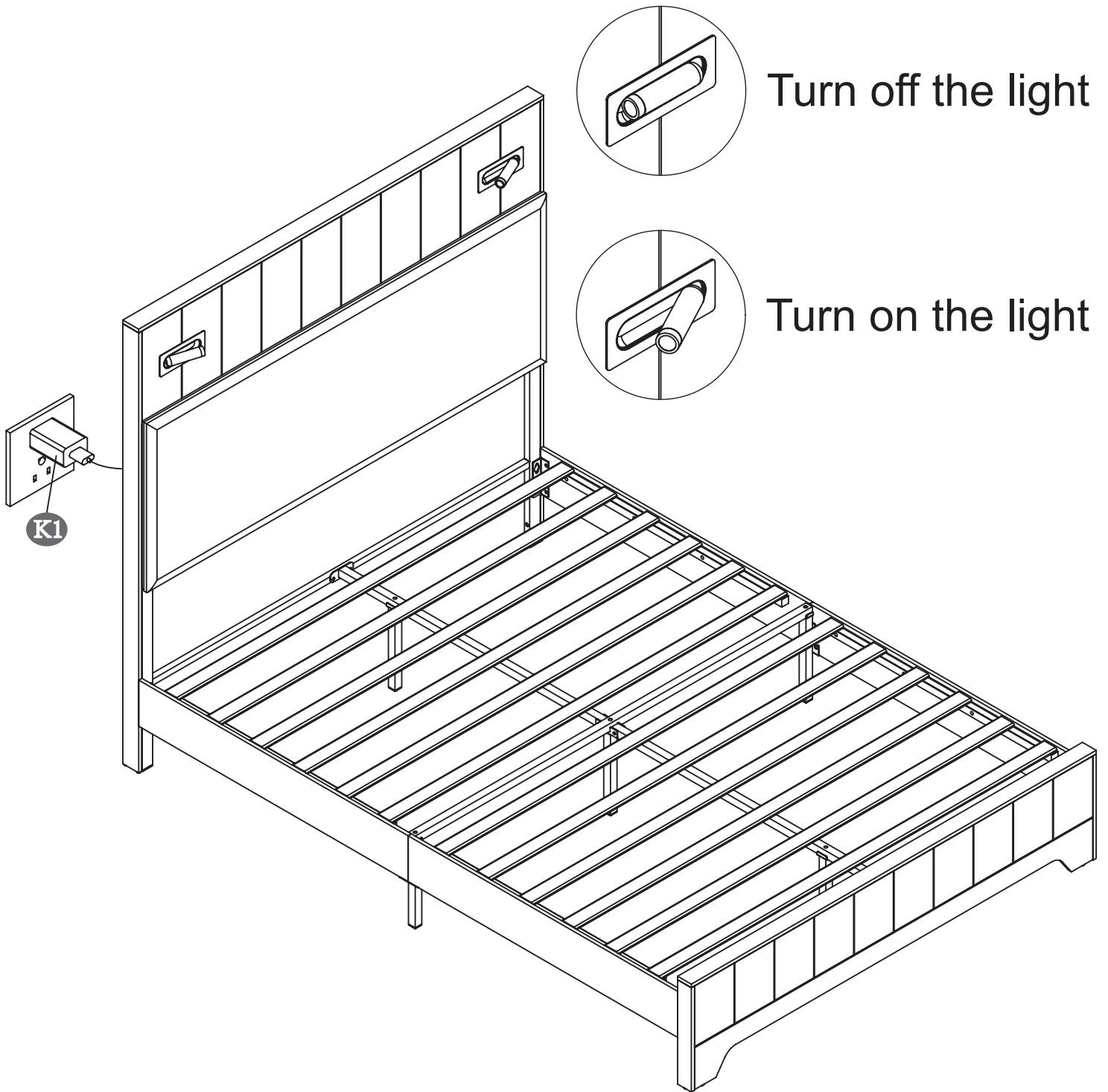


A	 M8x12 (Color Zinc)	4pcs
---	---	------

28



Connect cables from the lights on headboard with one power cable.



⚠ Make sure the assembly holes are aligned.
TIGHTEN ALL THE SCREWS COMPLETELY.



Installation Complete