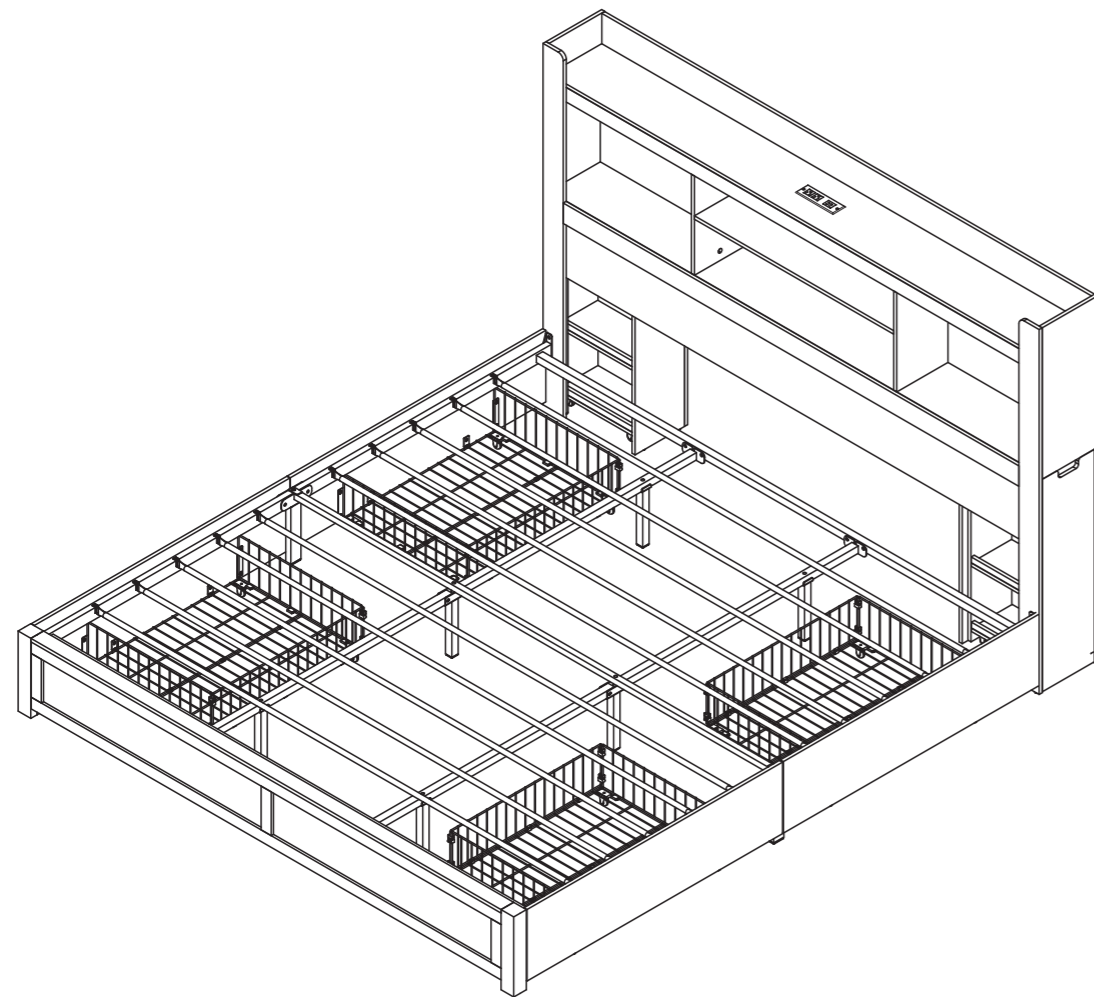


Storage Platform Bed  
Assembly Instructions



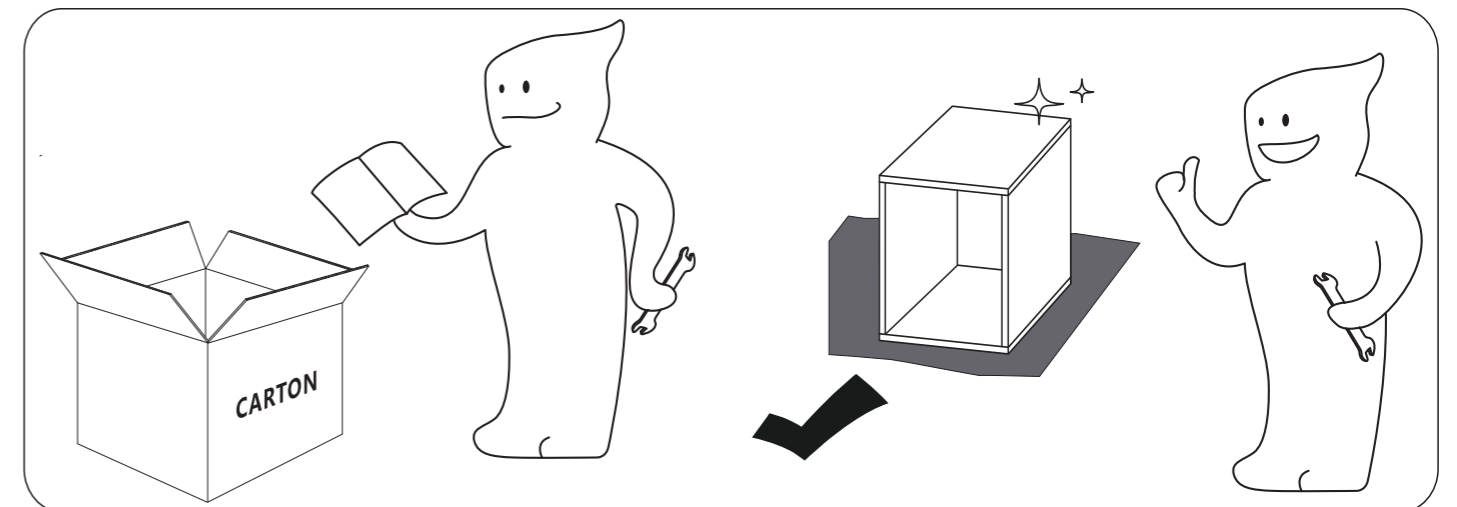
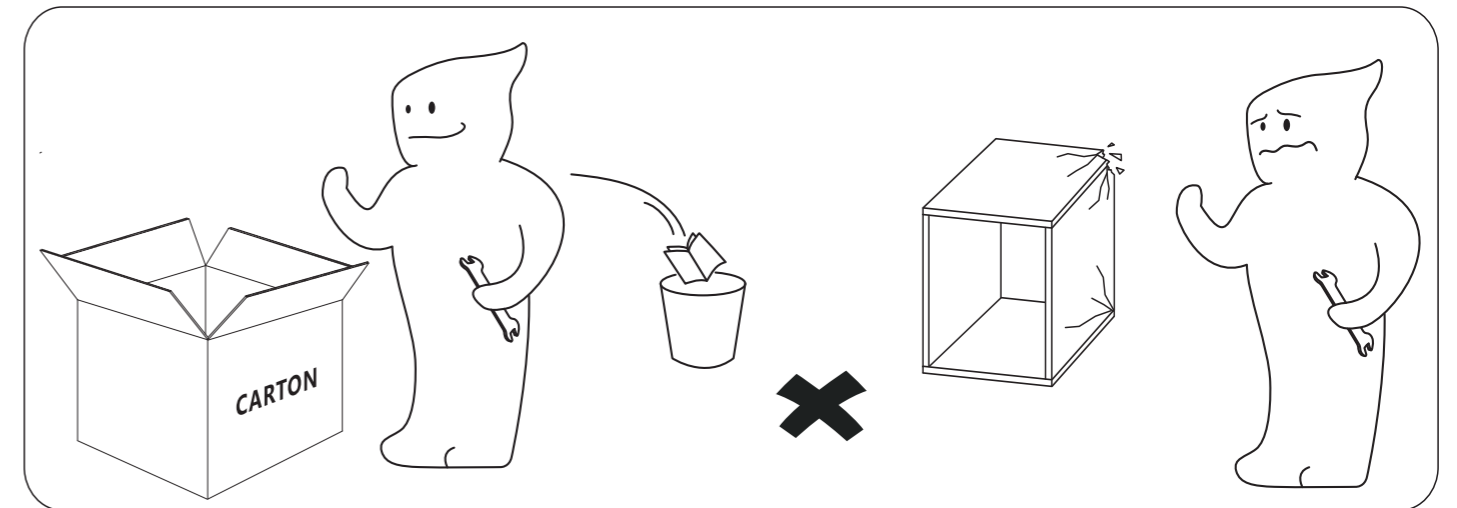
**Dear Customers,**

Thank you for purchasing our product. Please read this instruction manual carefully after receiving this product. It will help you assemble this product quickly, safely and correctly. You can keep this manual for future reference.

MADE IN CHINA



Please follow the instruction manuals and use a pad to protect the product during your assembly.



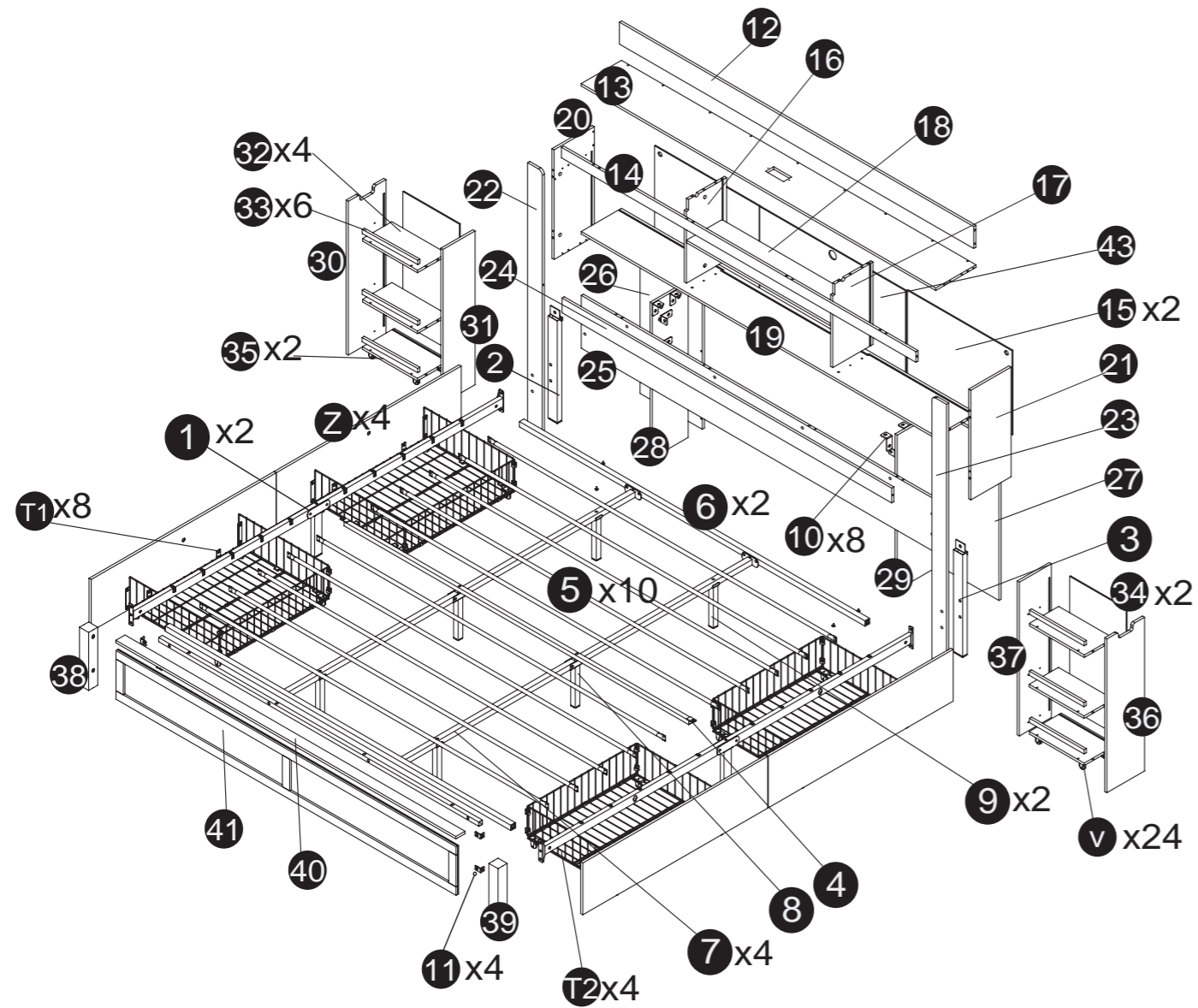
**Note:**

1. Should be assembled on flat ground to keep balance.
2. Before completing the installation, do not tighten the screws.



For easier and better assembly, **2** or more adults are required.

# ASSEMBLY INSTRUCTIONS



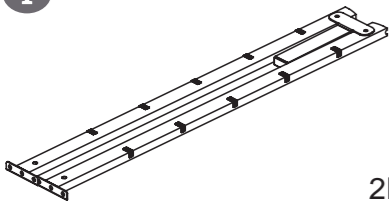


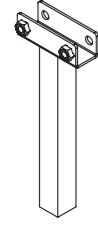

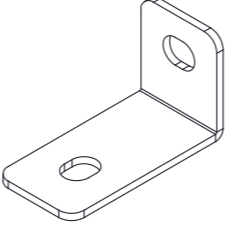
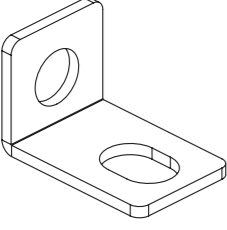
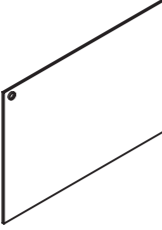


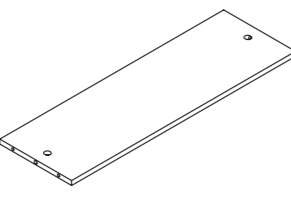


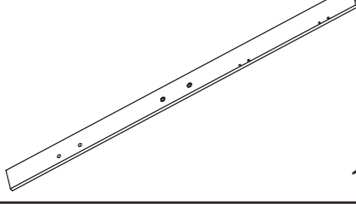
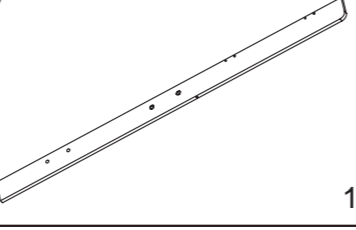






# ASSEMBLY INSTRUCTIONS

## The box 1

4 1PC	5 10PCS	6 2PCS
7 4PCS	12 1PC	13 1PC
14 1PC	19 1PC	24 1PC
25 1PC	40 1PC	41 1PC
44 1PC		

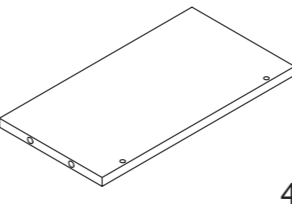
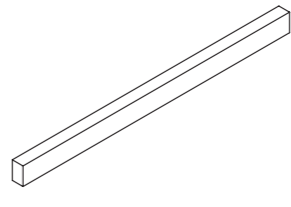

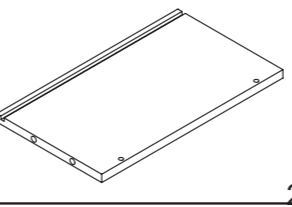


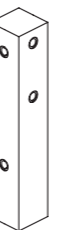

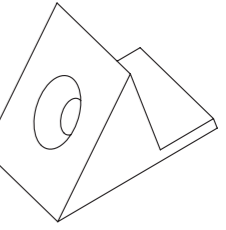
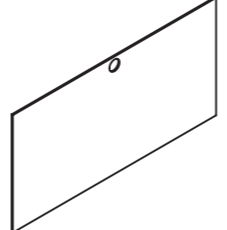
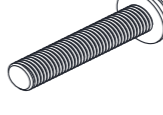
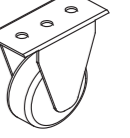
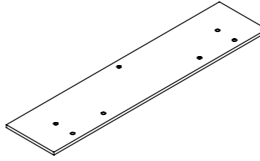
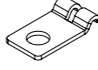


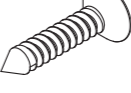




# ASSEMBLY INSTRUCTIONS

## The box 2 continued

<b>1</b>  2PCS	<b>2</b> Nut  1PC	<b>3</b> Nut  1PC
<b>8</b>  2PC	<b>9</b>  4PCS	<b>10</b>  8PCS
<b>11</b>  4PCS	<b>15</b>  2PCS	<b>16</b>  1PC
<b>17</b>  1PC	<b>18</b>  1PC	<b>20</b>  1PC
<b>21</b>  1PC	<b>22</b>  1PC	<b>23</b>  1PC
<b>26</b>  1PC	<b>27</b>  1PC	<b>28</b>  1PC
<b>29</b>  1PC	<b>30</b>  1PC	<b>31</b>  1PC


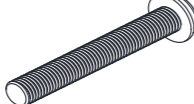
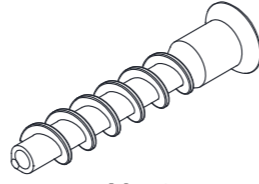
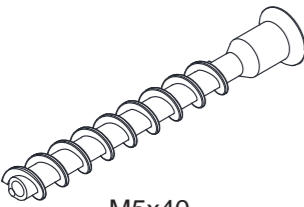
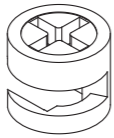
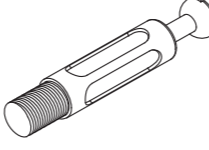
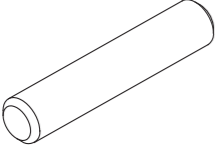
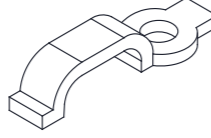

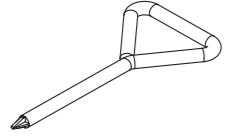

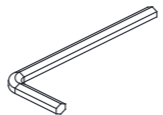
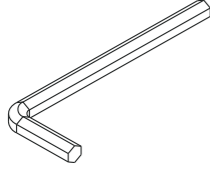
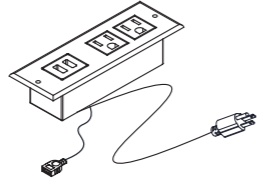
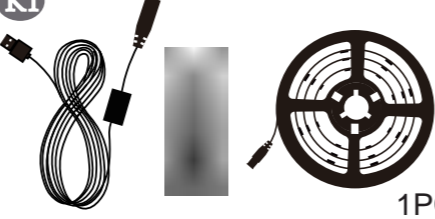
# ASSEMBLY INSTRUCTIONS

## The box 2 continued

<b>32</b>  4PCS	<b>33</b>  6PCS	<b>34</b>  2PCS
<b>35</b>  2PCS	<b>36</b>  1PC	<b>37</b>  1PC
<b>38</b>  1PC	<b>39</b>  1PC	<b>42</b>  24PCS
<b>43</b>  1PC	<b>T</b> M8x30  8PCS	<b>V</b>  24PCS
<b>Z</b>  4PCS	<b>T1</b>  8PCS	<b>T2</b>  4PCS
<b>A</b> ST3.2x12  29PCS	<b>B</b> ST4.2x12  18PCS	<b>C</b> M8x12  46PCS
<b>D</b> M8x14 Colored Zinc  4PCS	<b>E</b> M8x18  16PCS	<b>F</b> M8x20 Colored Zinc  8PCS

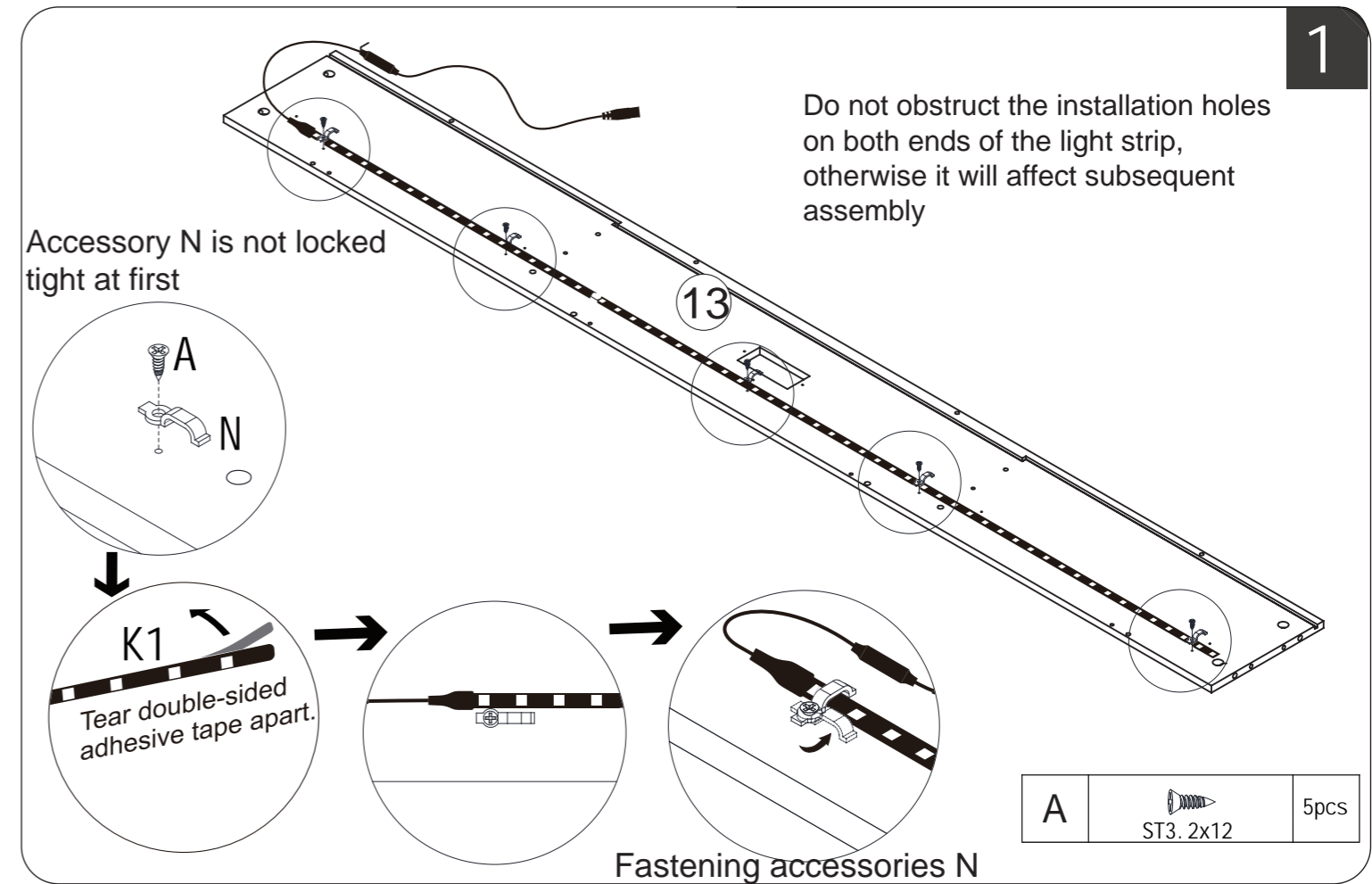
ASSEMBLY INSTRUCTIONS

The box 2 continued

<b>G</b>  M8x40 16PCS	<b>H</b>  M8x55 4PCS	<b>I</b>  M5x25 12PCS
<b>J</b>  M5x40 10PCS	<b>K</b>  φ15x9.5 58PCS	<b>L</b>  φ7x40 58PCS
<b>M</b>  φ6x40 43PCS	<b>N</b>  5PCS	<b>O</b>  M4x10 16PCS
<b>P</b>  1PC	<b>Q</b>  M4 1PC	<b>R</b>  M5 1PC
<b>S</b>  M8 1PC	<b>U</b>  1PC	<b>K1</b>  1PC

Please make sure to check that all screws are tightened after completing the entire installation.

**1**




Accessory N is not locked tight at first

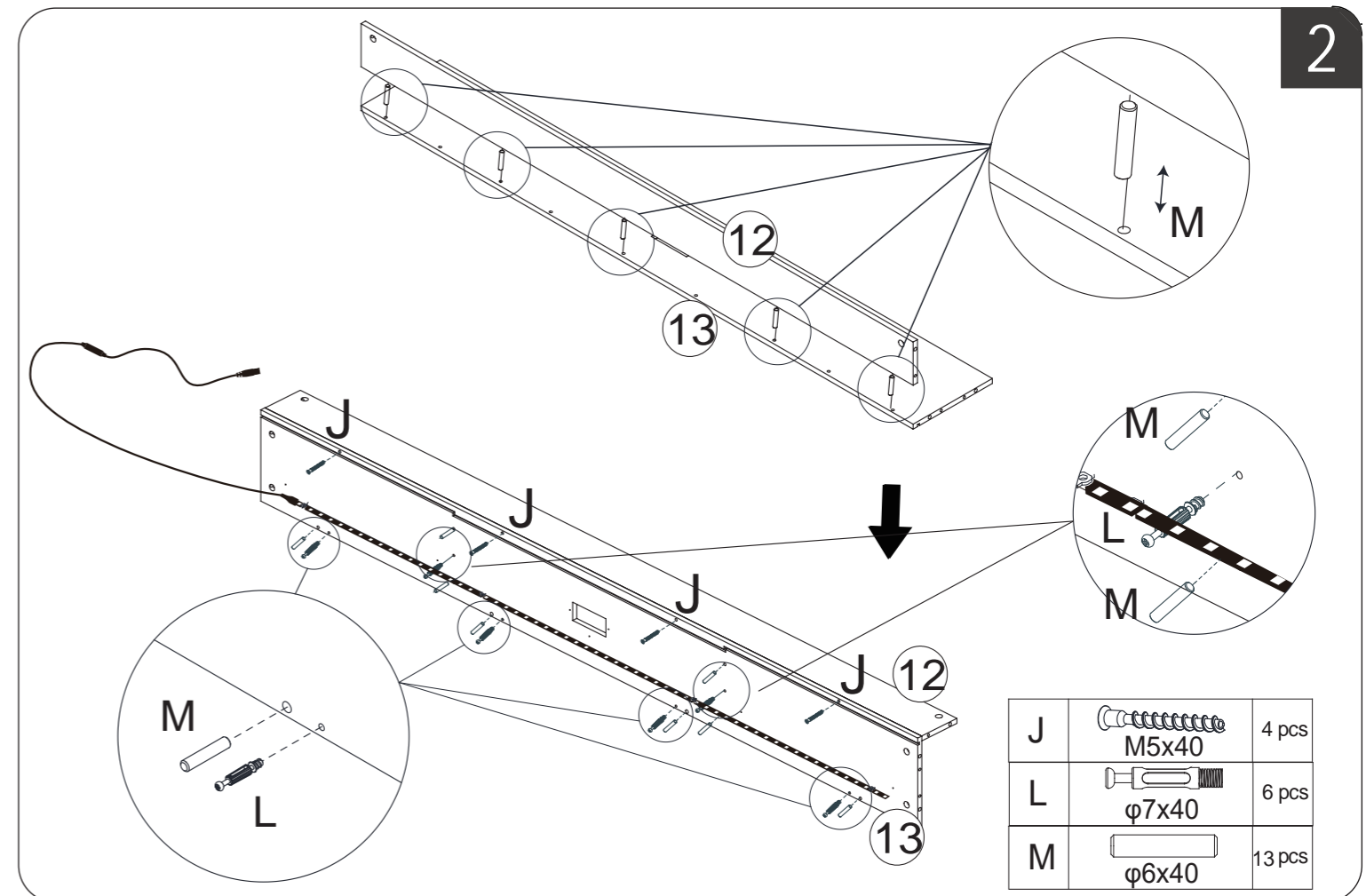
Do not obstruct the installation holes on both ends of the light strip, otherwise it will affect subsequent assembly


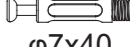
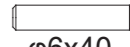
Tear double-sided adhesive tape apart.

Fastening accessories N

A		5pcs
---	--	------

**2**



J		4 pcs
L		6 pcs
M		13 pcs

# ASSEMBLY INSTRUCTIONS

**3**

1 2 3

14 13 12

K		φ15x9.5	4 pcs
---	--	---------	-------

**5**

Turn part 19 over

Note that the direction of the hole on the part 43 as shown in the figure

Note that the grooves here should face each other as shown in the figure.

17 19 16

M L M

K		φ15x9.5	2 pcs
L		φ7x40	2 pcs
M		φ6x40	4 pcs

**4**

1 2 3

17 16 14

17 18 16

Note that the notch towards the part 14.

K		φ15x9.5	4 pcs
L		φ7x40	2 pcs
M		φ6x40	4 pcs

**6**

Note that the direction of the hole on the part 15 as shown in the figure.

15 19 15

M L M L

L		φ7x40	8 pcs
M		φ6x40	6 pcs

# ASSEMBLY INSTRUCTIONS

**7**

Parts list:

K		φ15x9.5	4 pcs
L		φ7x40	16 pcs
M		φ6x40	16 pcs

**8**

Note: There are holes in the part 13 and part 14 for fitting the part K.

Parts list:

K		φ15x9.5	12 pcs
---	--	---------	--------

# ASSEMBLY INSTRUCTIONS

**9**

Please screw the screws F into the correct hole.

Parts list:

K		φ15x12	4 pcs
F		M8x20	8PCS

Colored Zinc

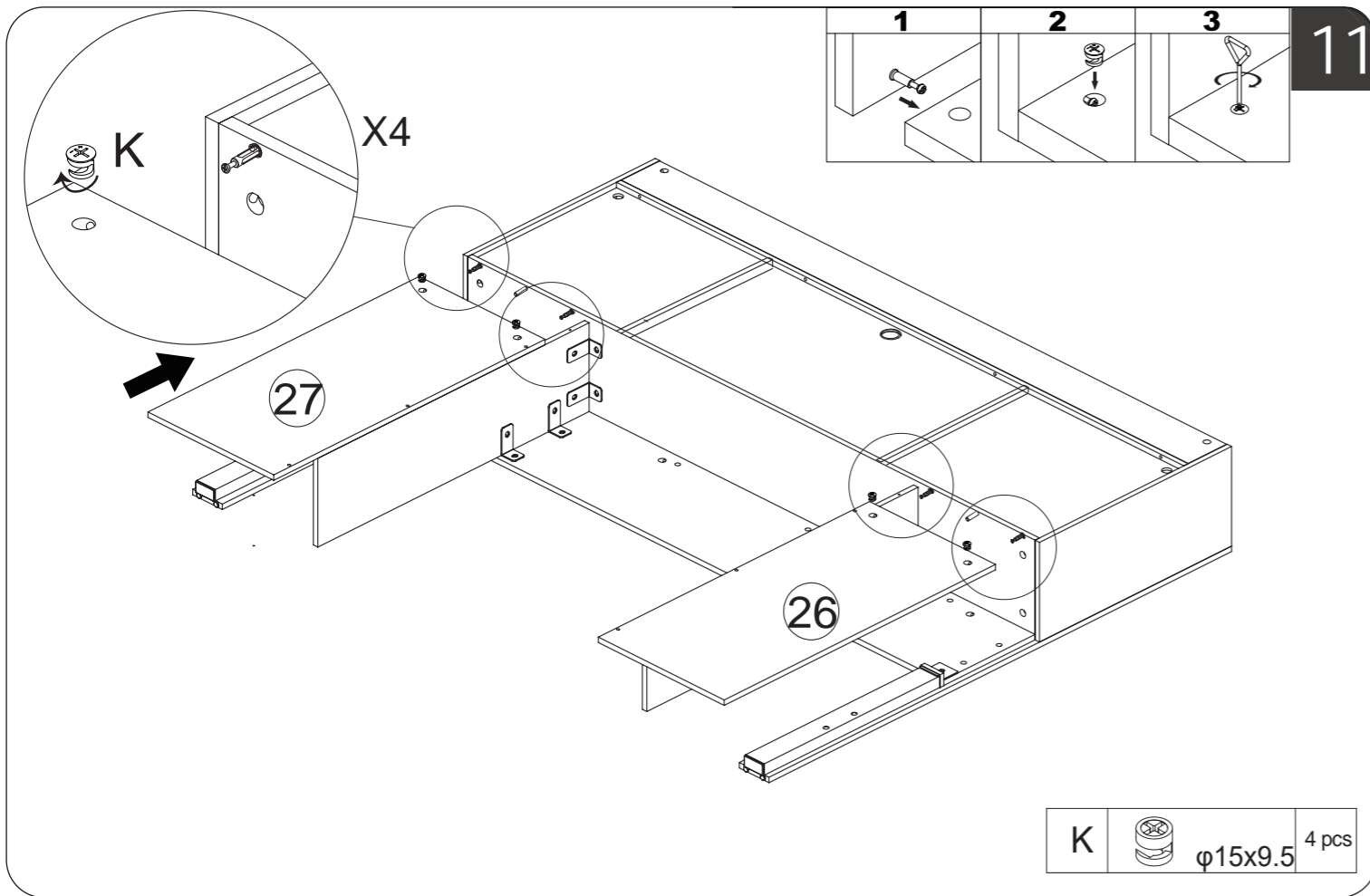
**10**

Note: Do not tighten the screws

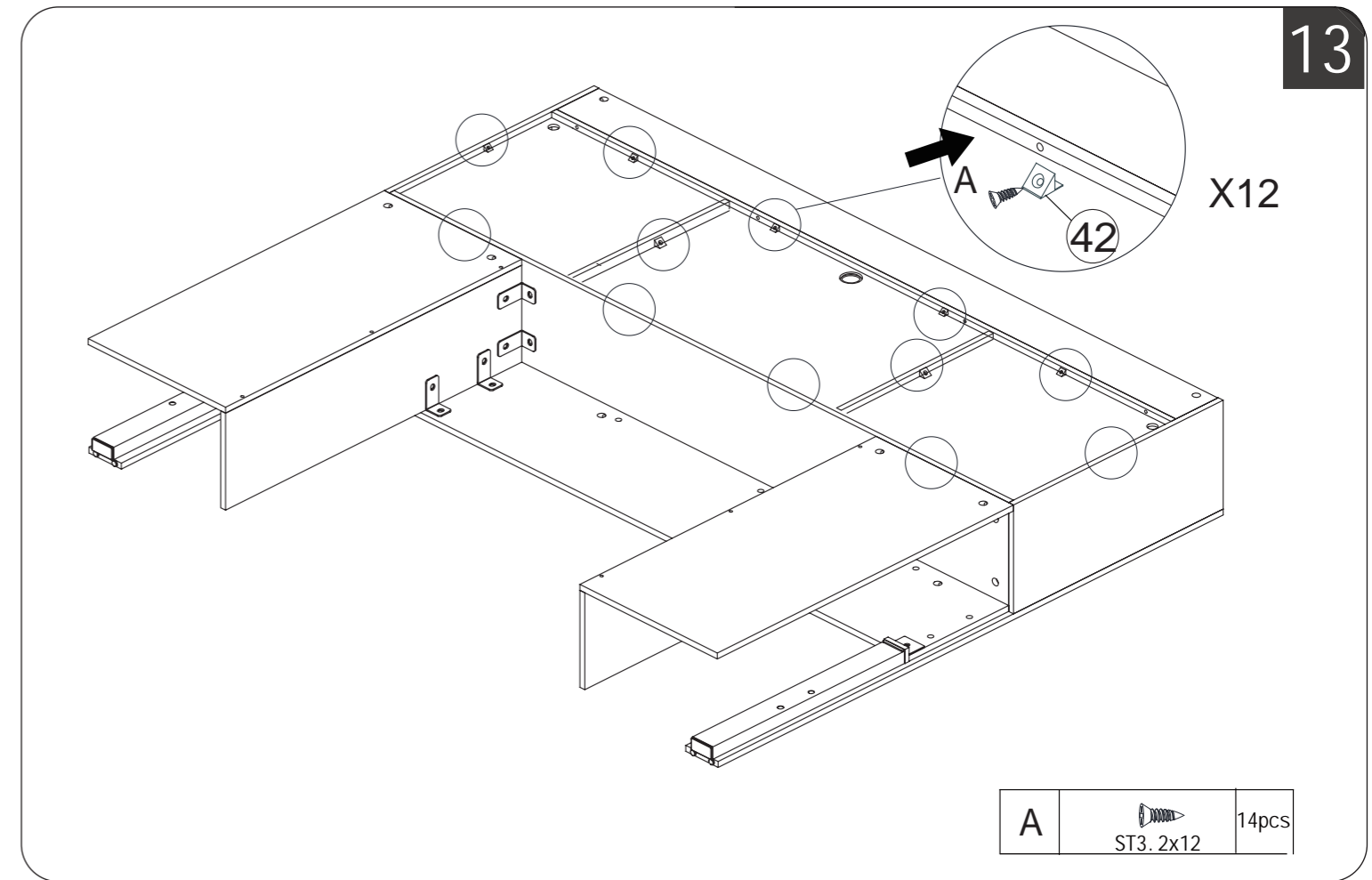
Parts list:

C		M8x12	18PCS
---	--	-------	-------

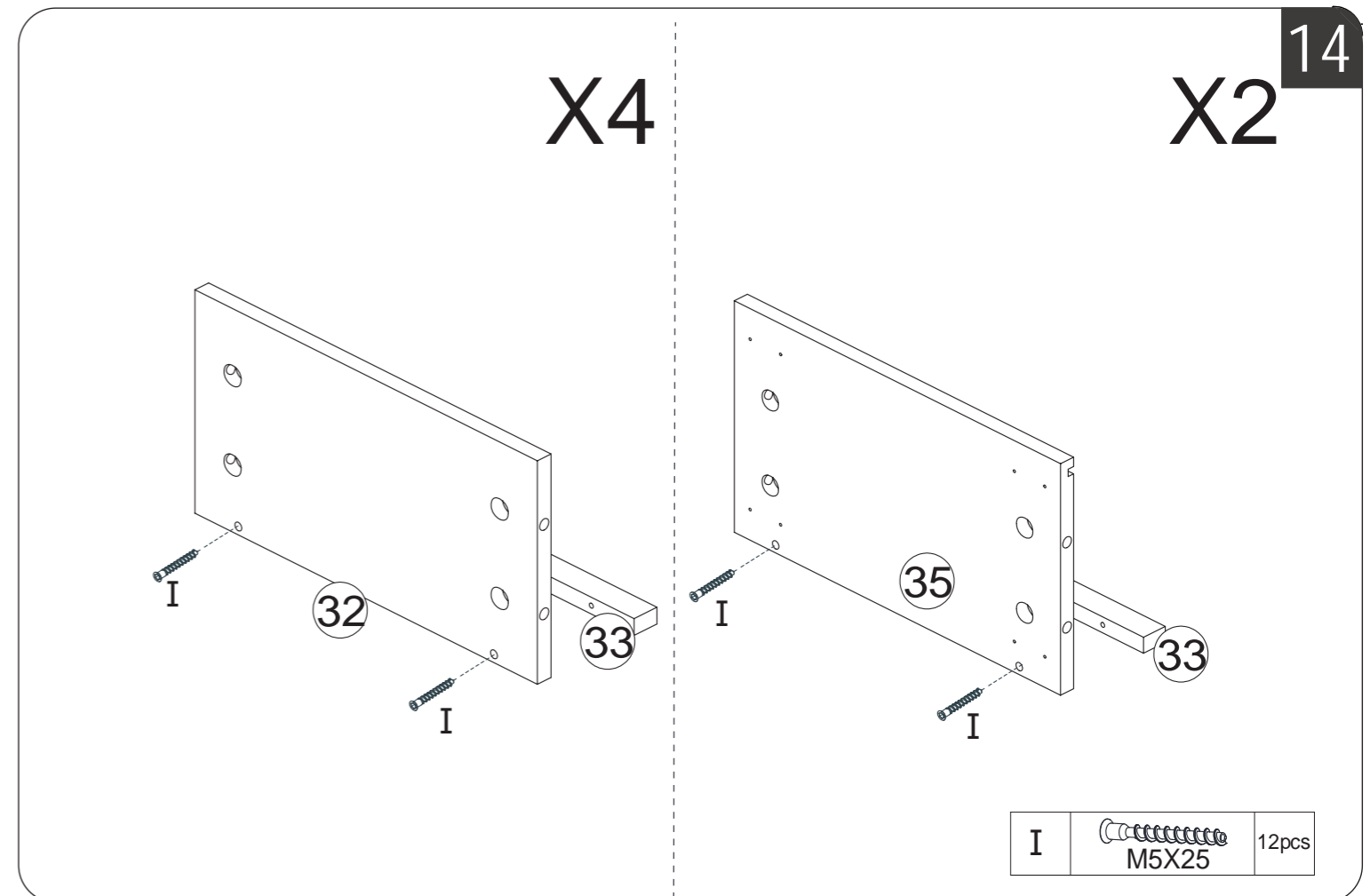
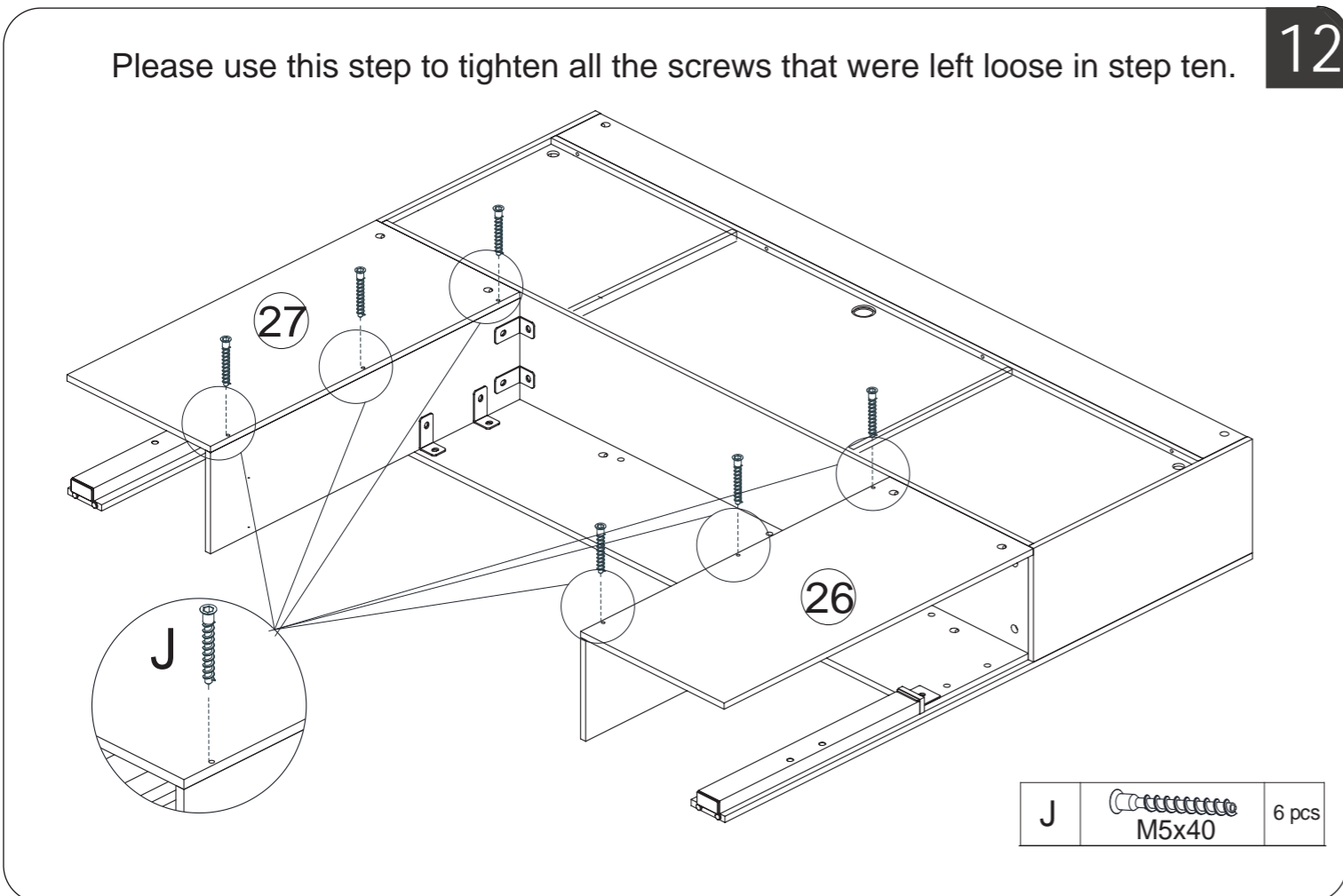
# ASSEMBLY INSTRUCTIONS



# ASSEMBLY INSTRUCTIONS



Please use this step to tighten all the screws that were left loose in step ten.



# ASSEMBLY INSTRUCTIONS

X2 15

B	ST4. 2x12	16pcs
---	-----------	-------

16

L	$\phi 7 \times 40$	24pcs
---	--------------------	-------

# ASSEMBLY INSTRUCTIONS

17

Note: Install parts 30 and 37 at the end.

K	$\phi 15 \times 9.5$	24pcs
---	----------------------	-------

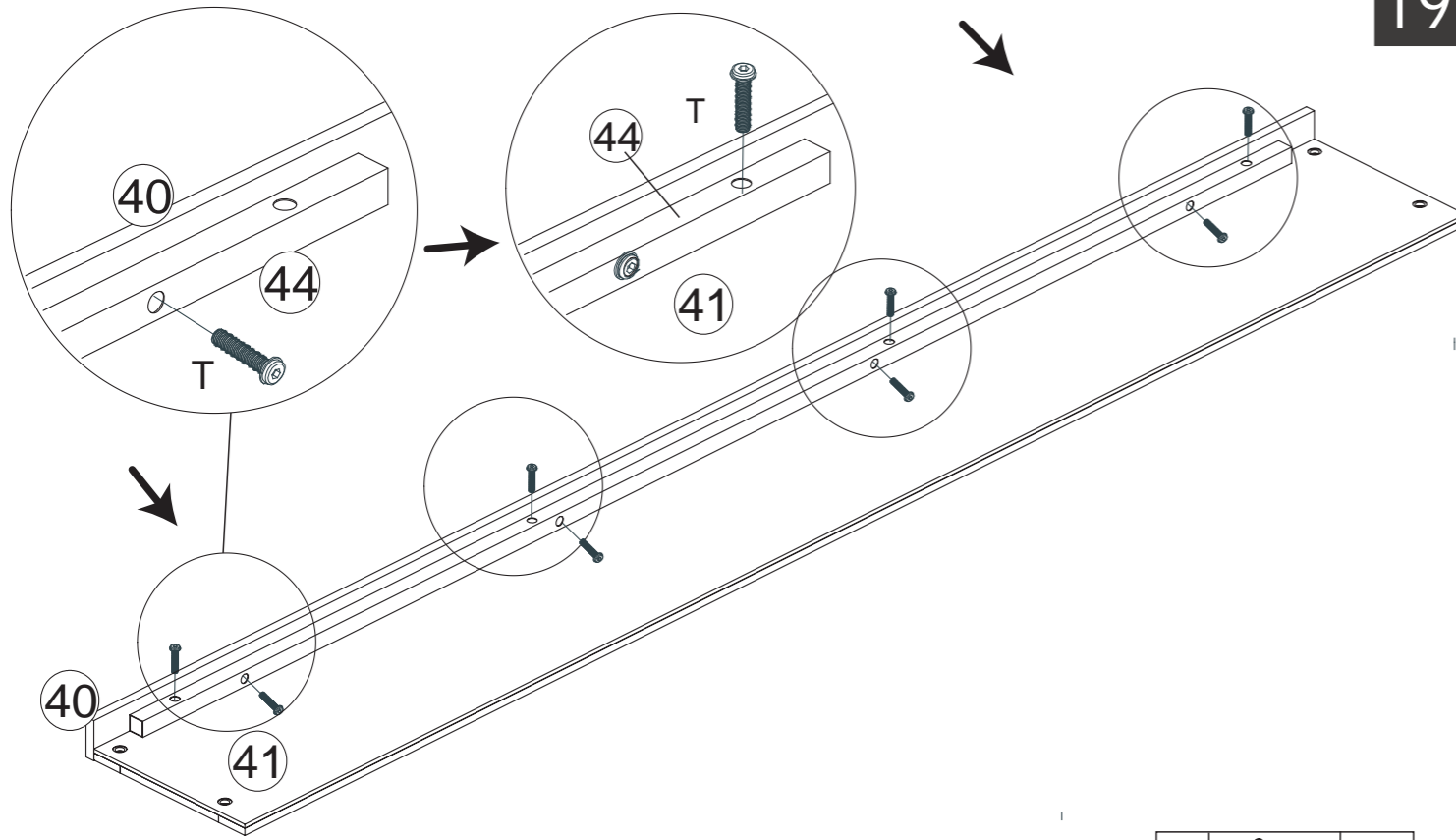
18

A	ST3. 2x12	10pcs
---	-----------	-------



# ASSEMBLY INSTRUCTIONS

19



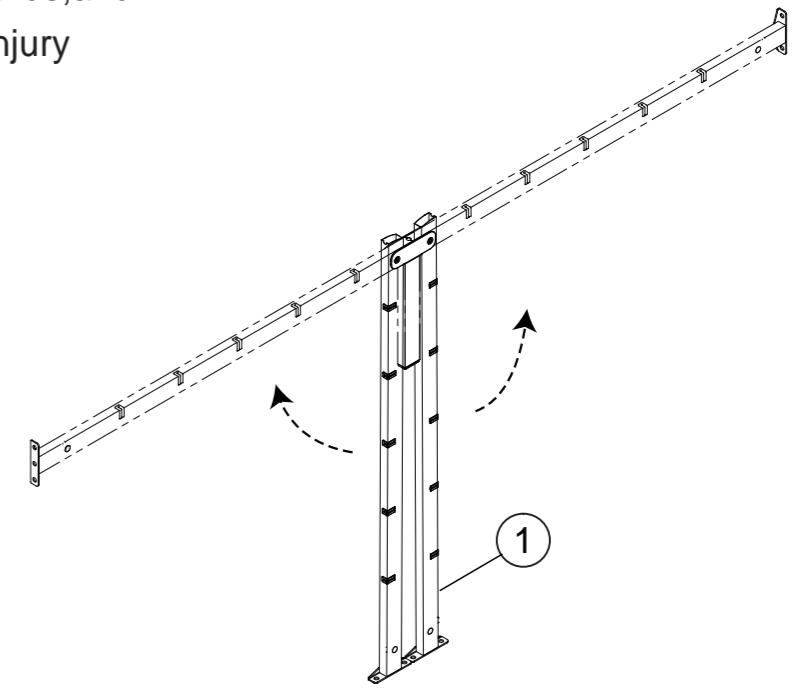
T		M8x30	8PCS
---	--	-------	------

# ASSEMBLY INSTRUCTIONS

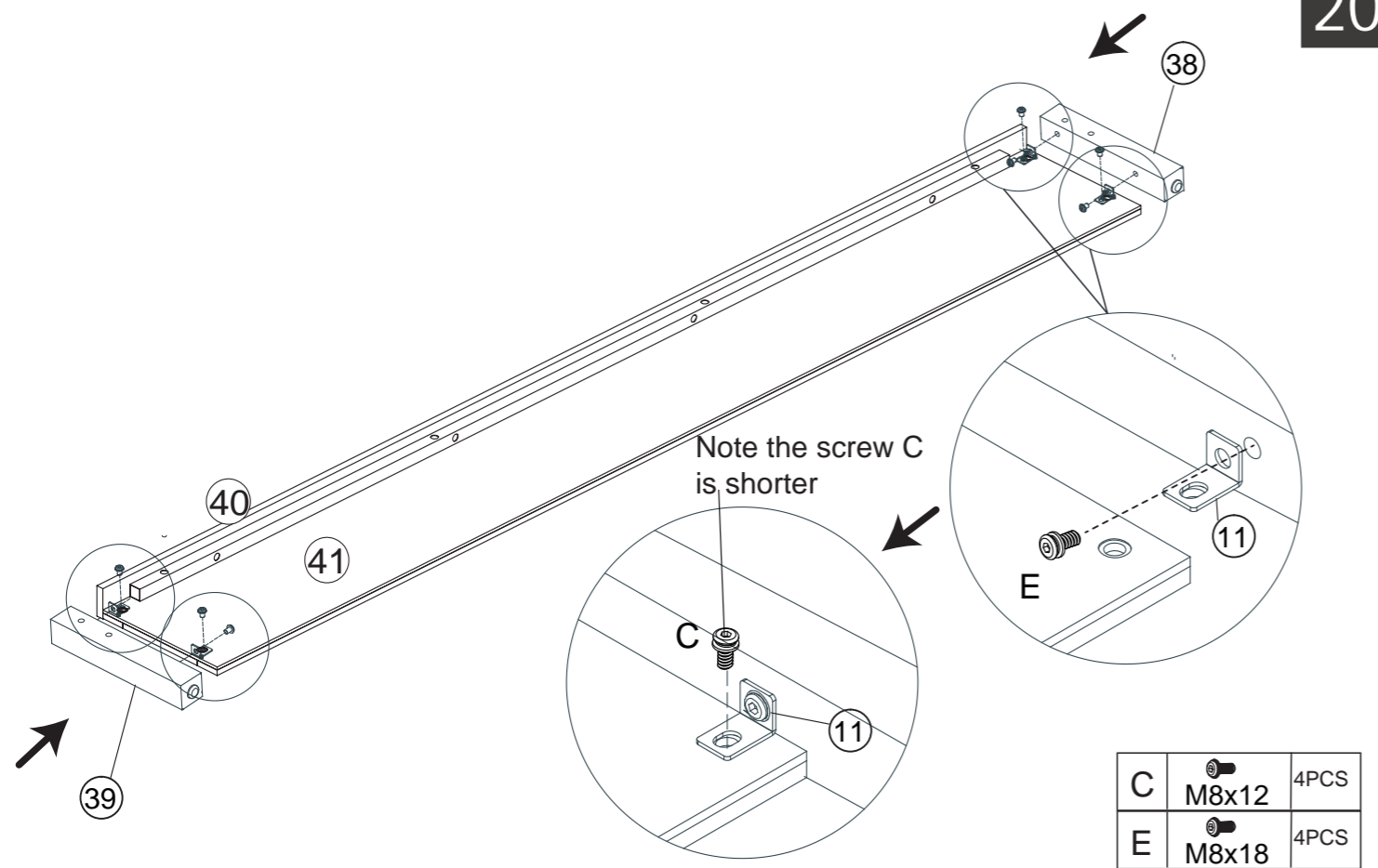
21



**WARNING!**  
Moving parts can crush or cut. Keep fingers, hands, and feet away to avoid injury

X2



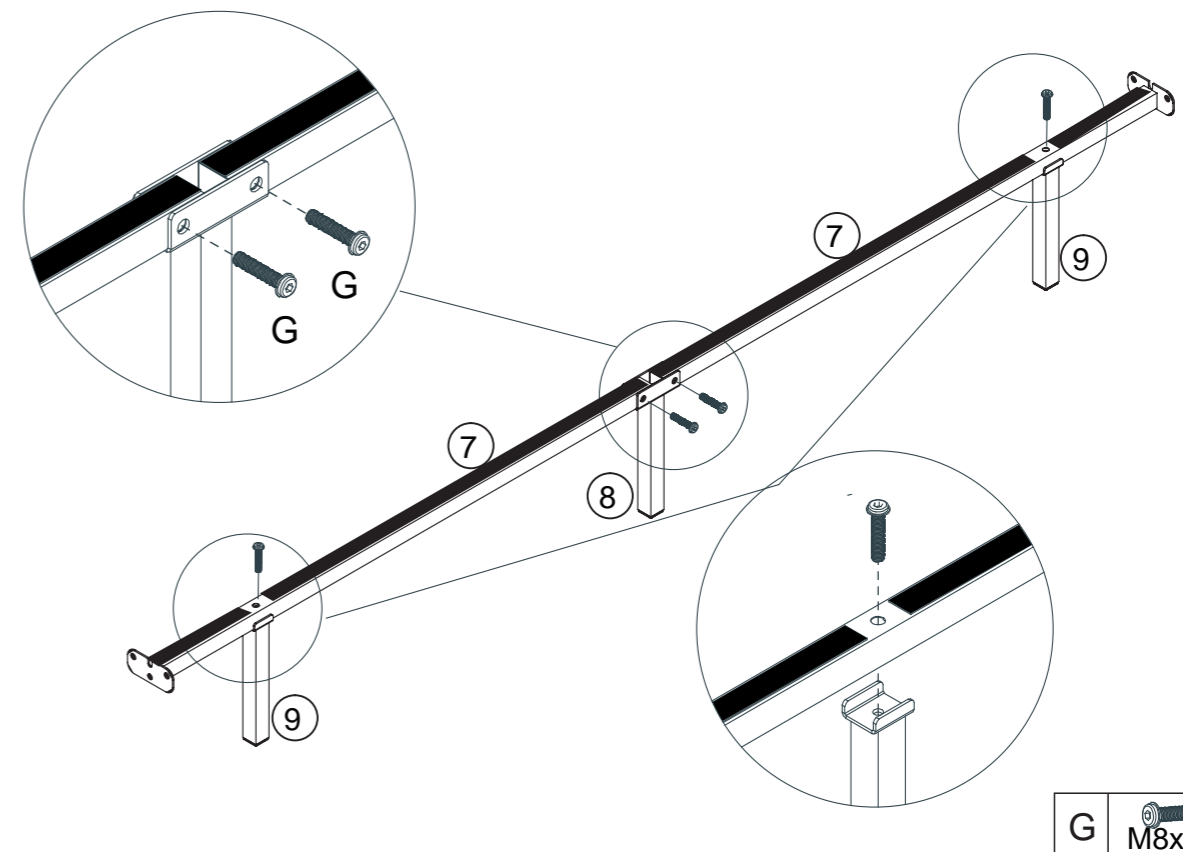
20




C		M8x12	4PCS
E		M8x18	4PCS

22

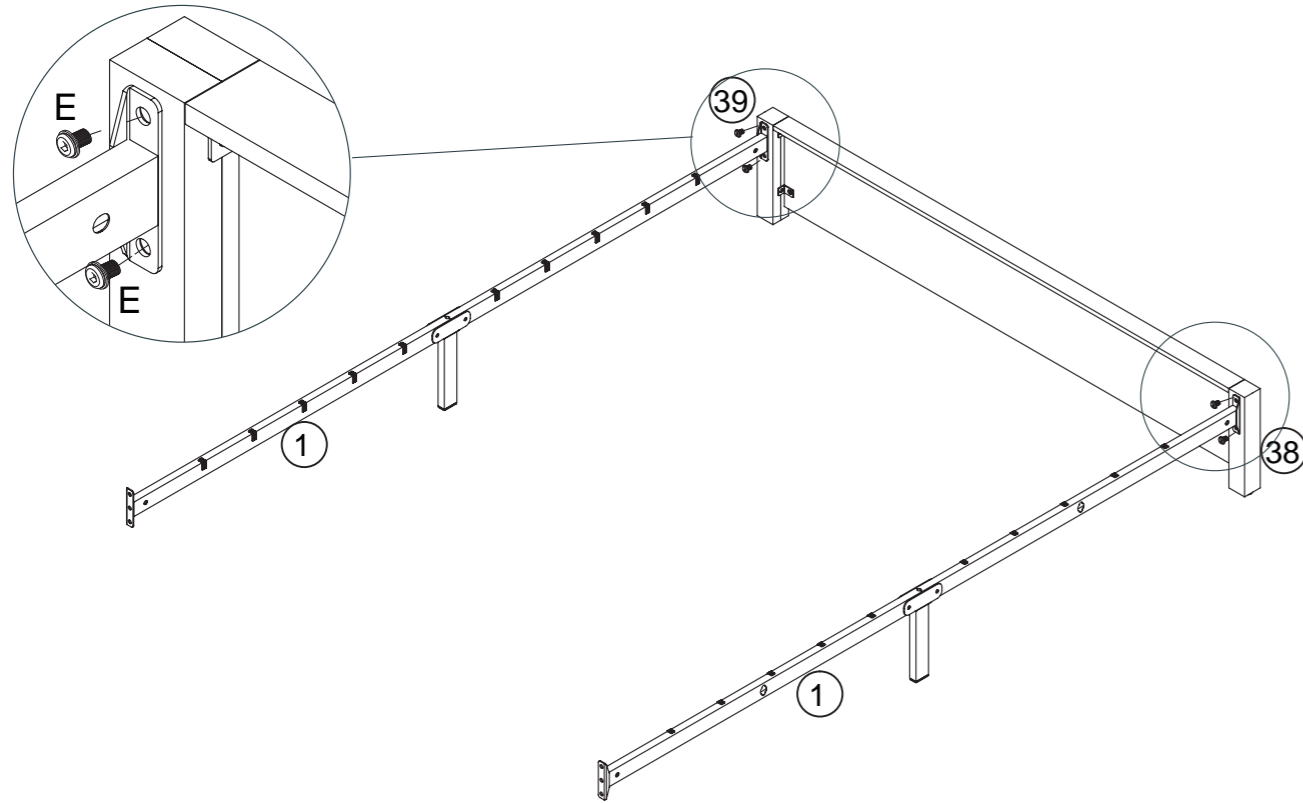
X2



G		M8x40	8PCS
---	---	-------	------

# ASSEMBLY INSTRUCTIONS

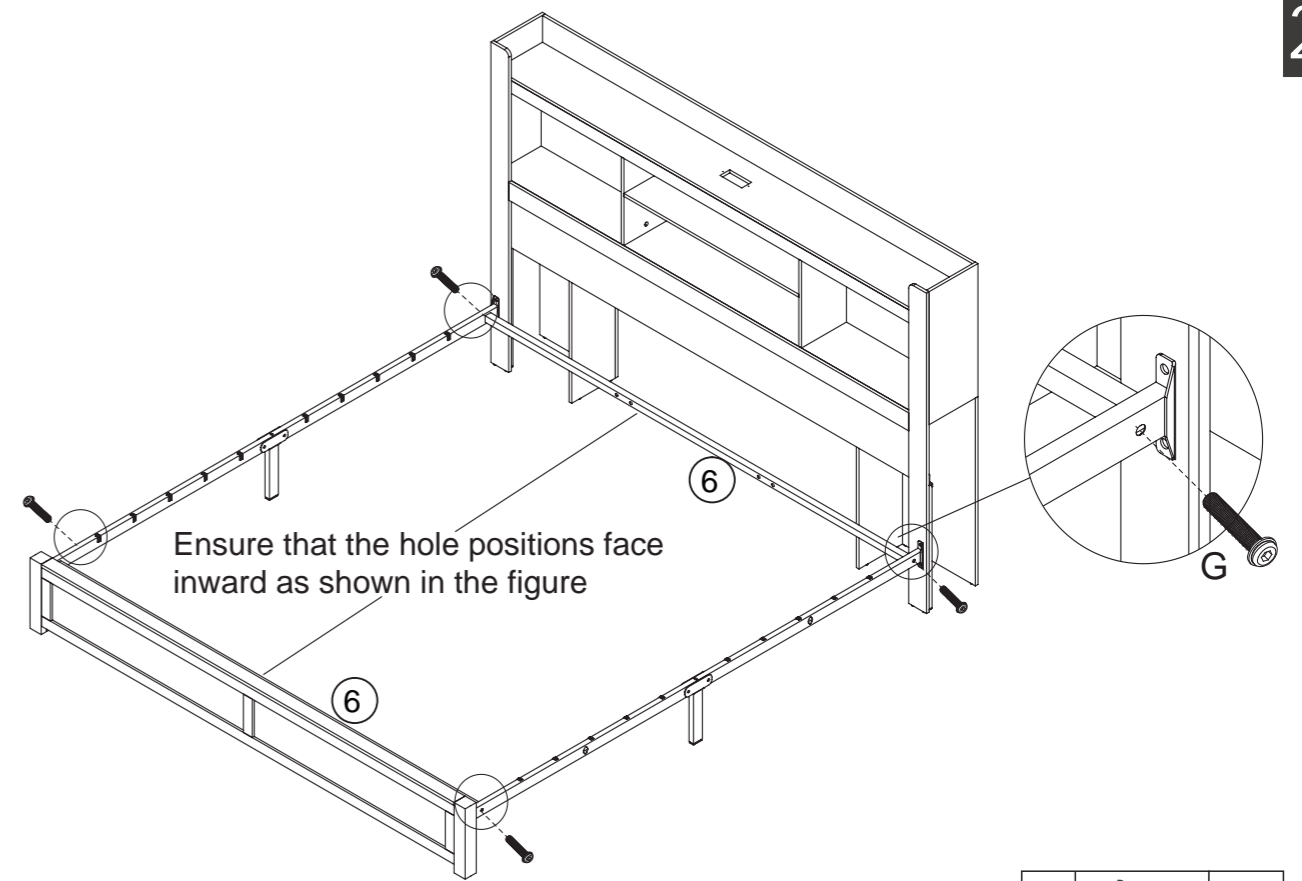
23



E M8x18 4PCS

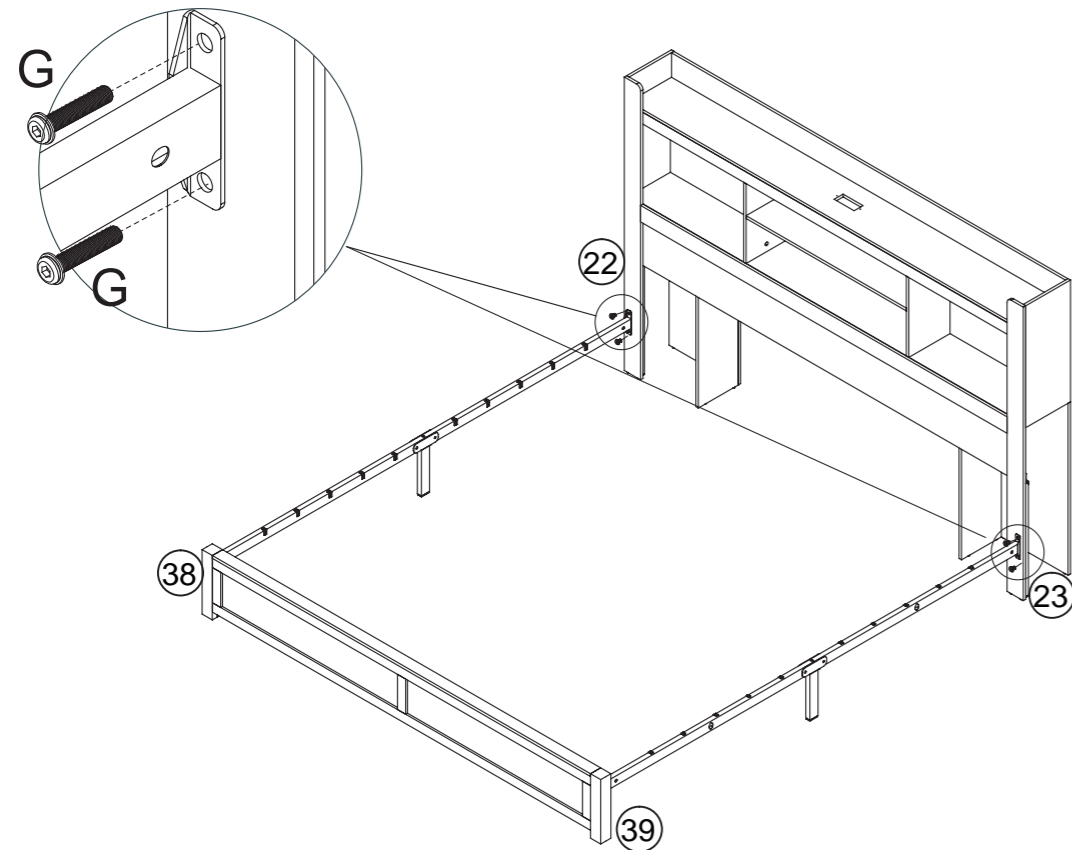
# ASSEMBLY INSTRUCTIONS

25



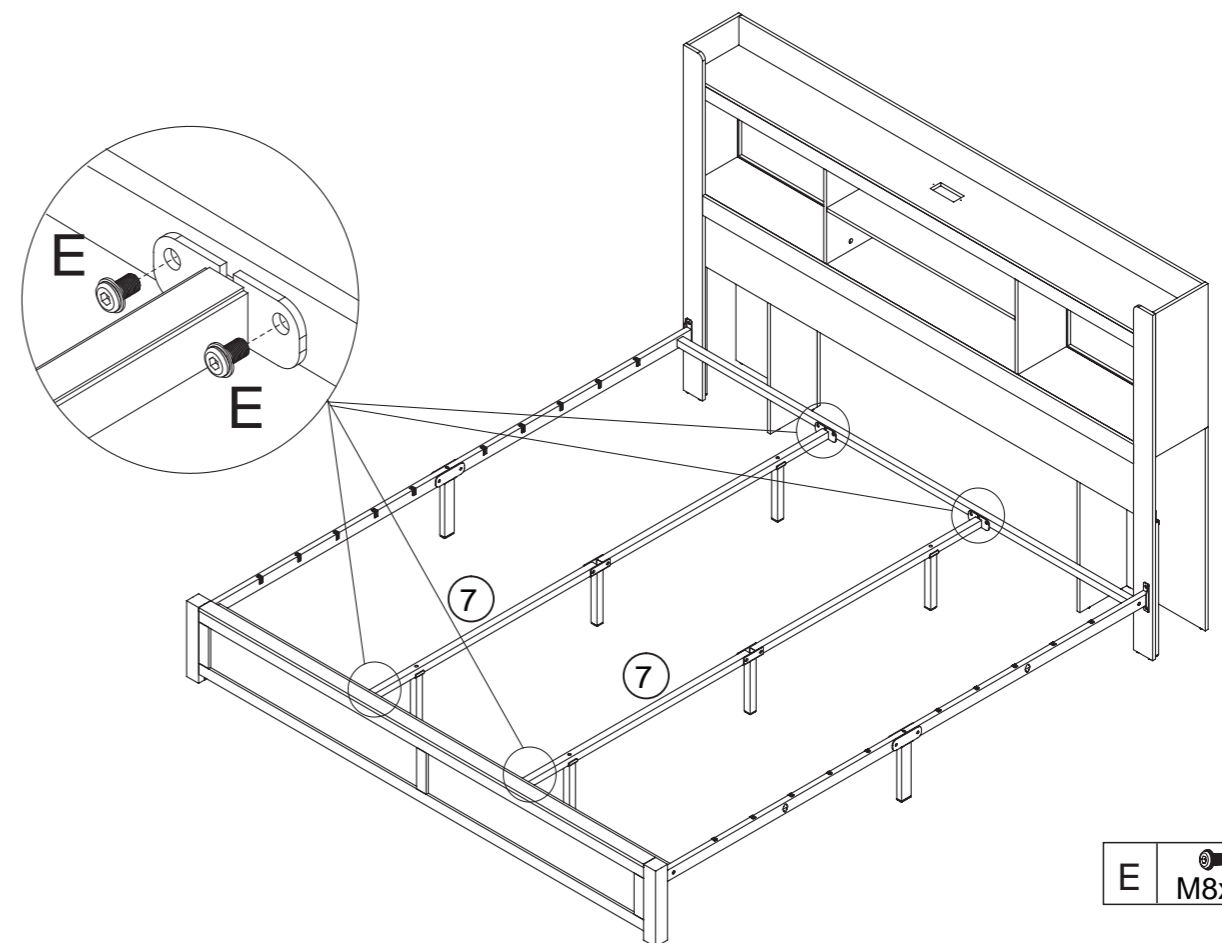
G M8x40 4PCS

24



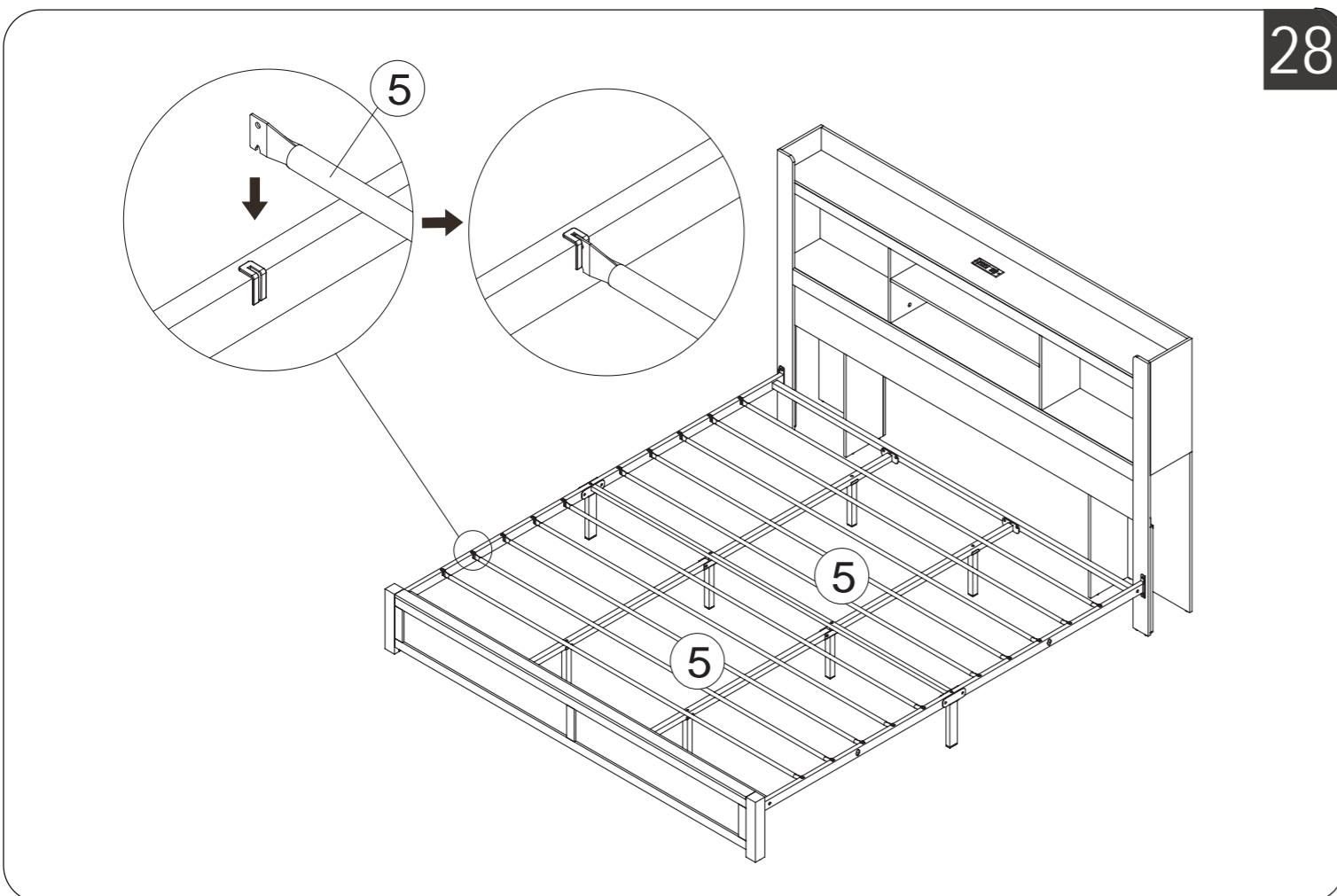
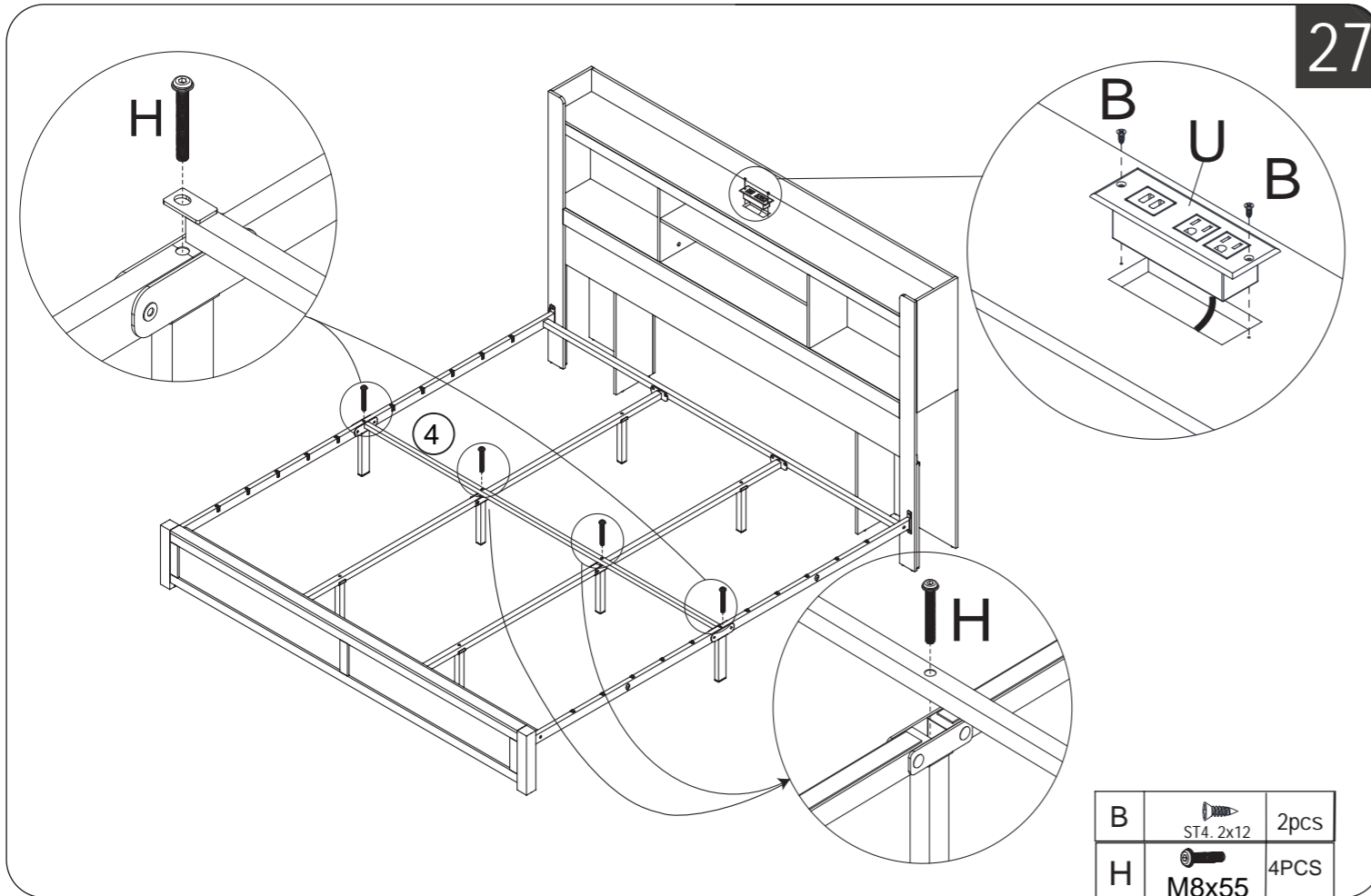
G M8x40 4PCS

26

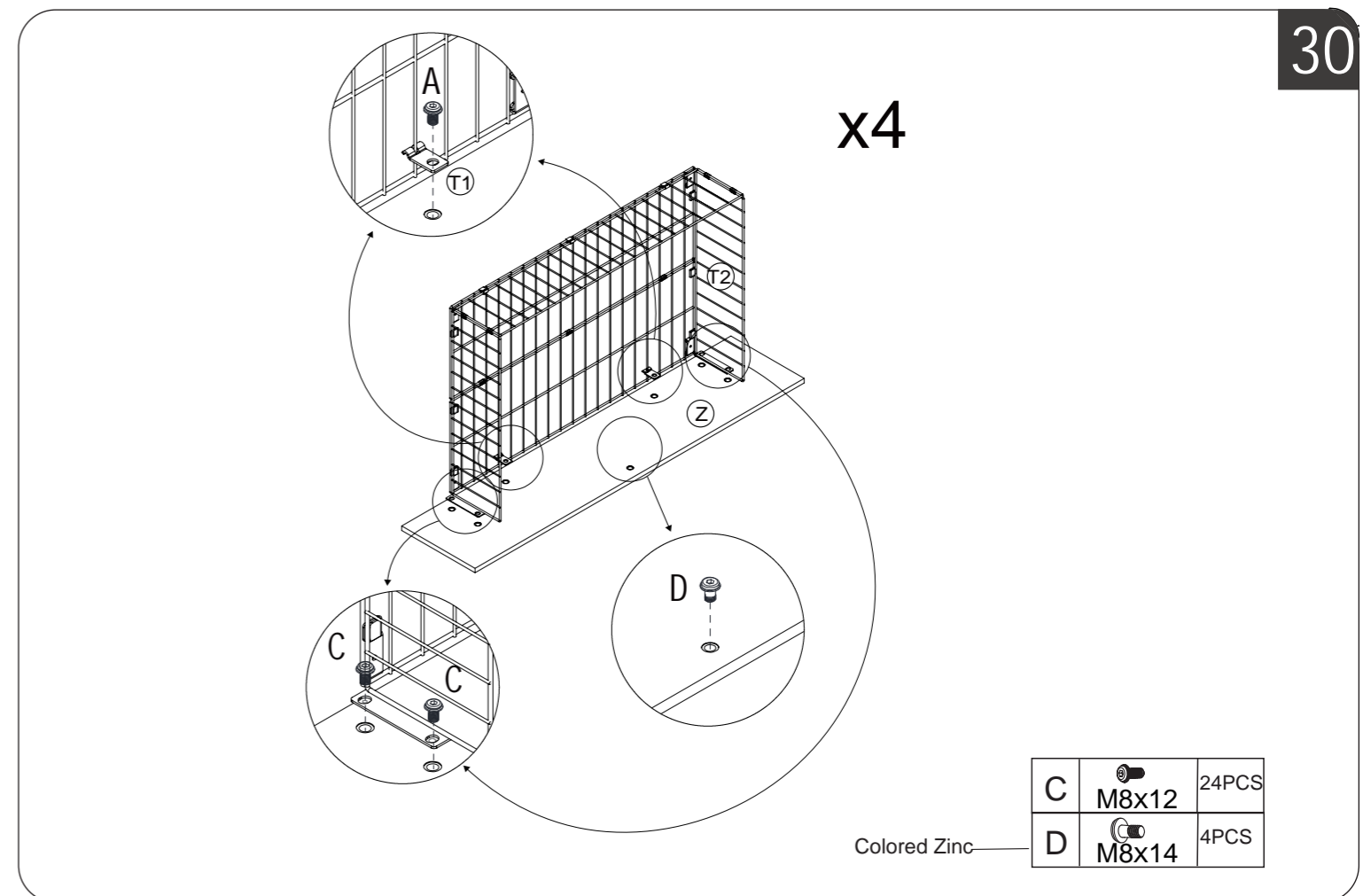
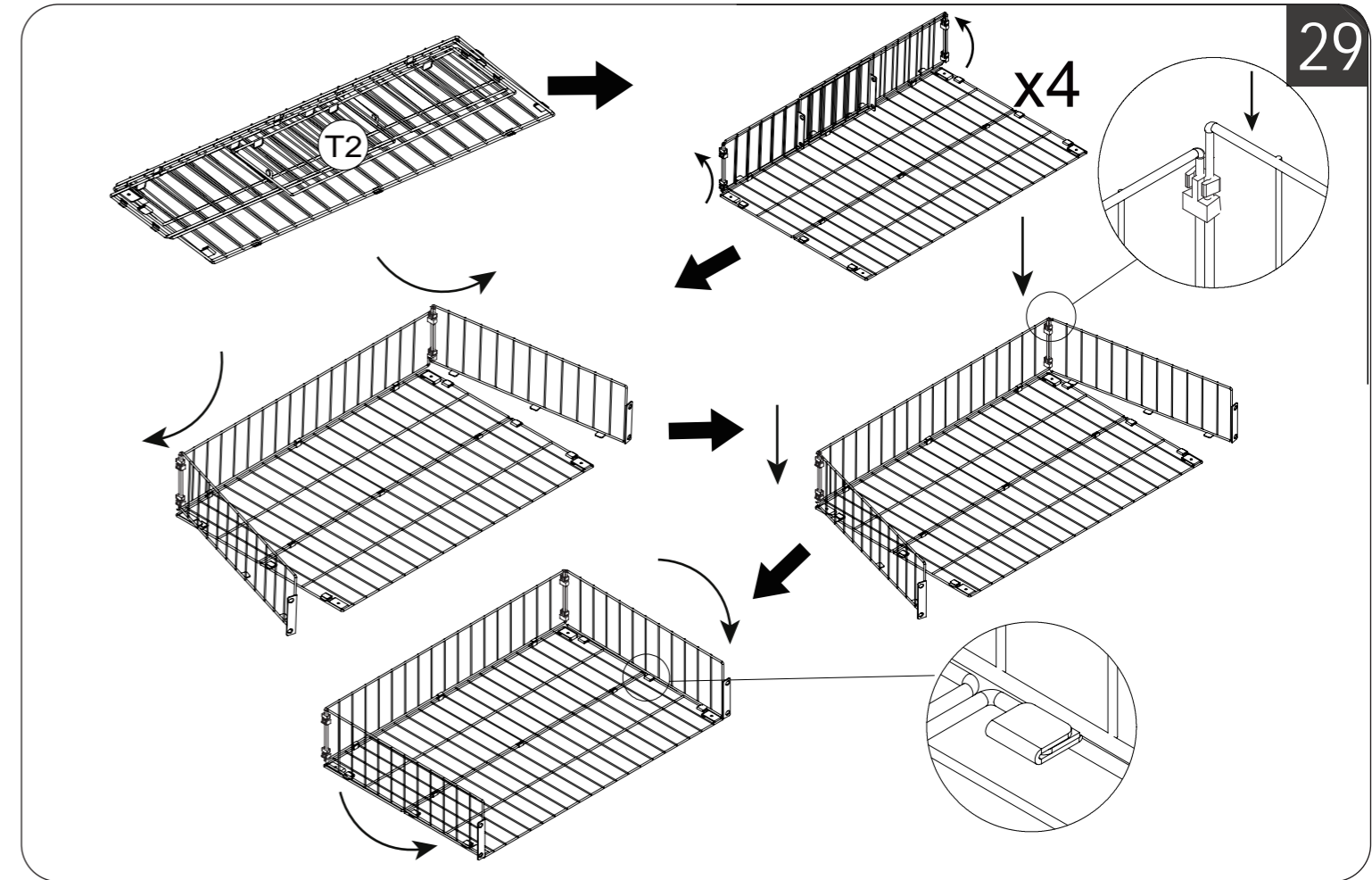


E M8x18 8PCS

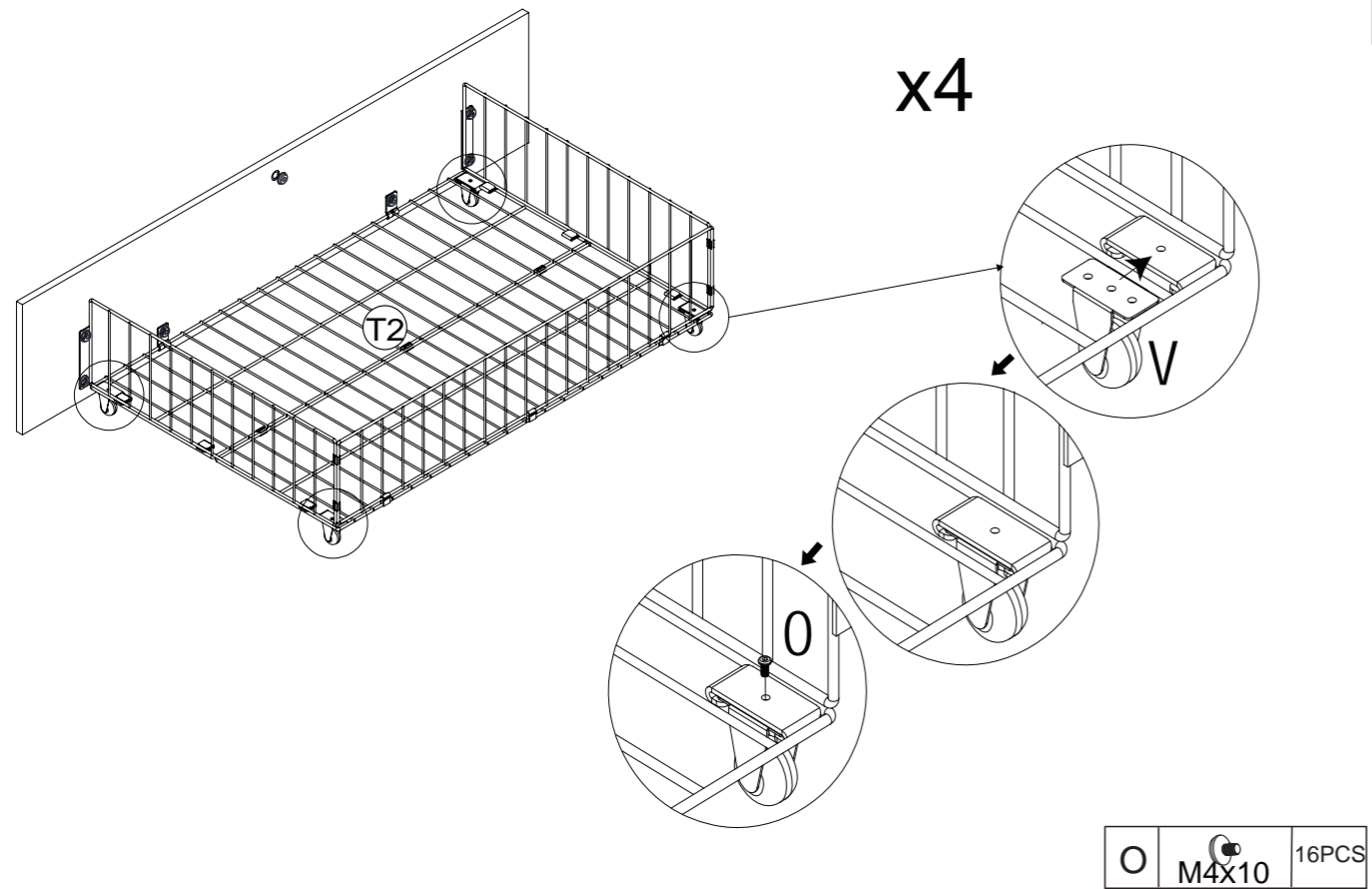
# ASSEMBLY INSTRUCTIONS



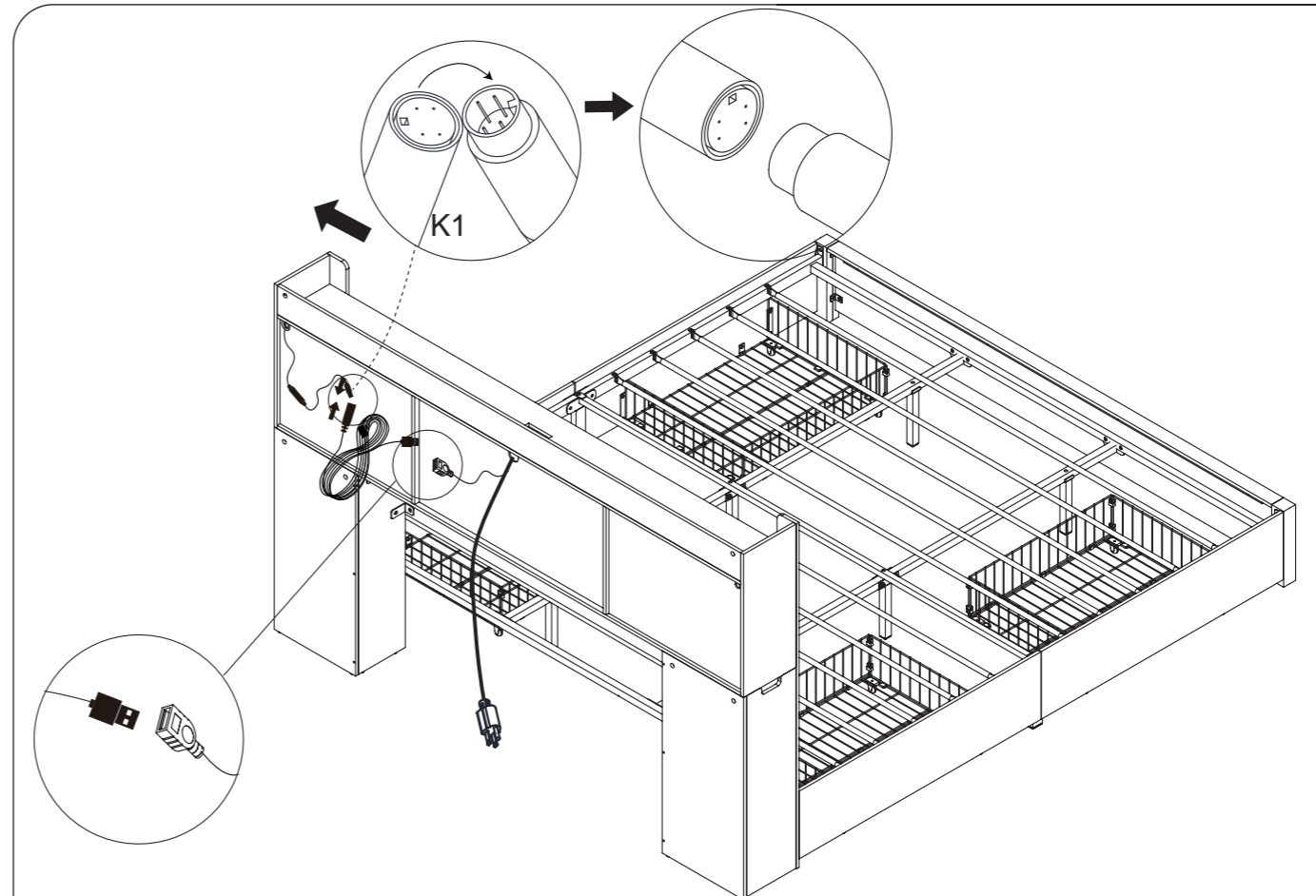
# ASSEMBLY INSTRUCTIONS



31



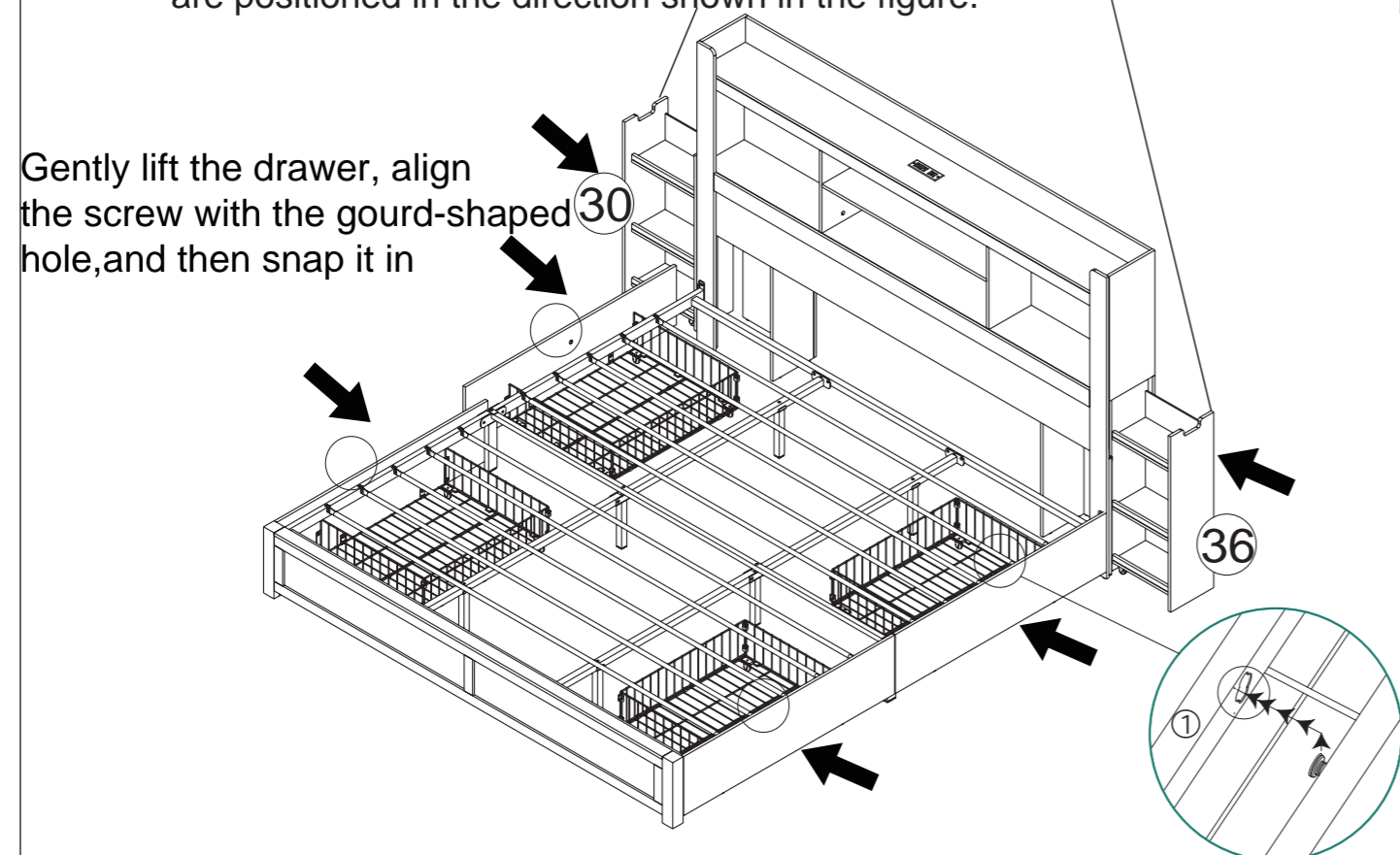
33



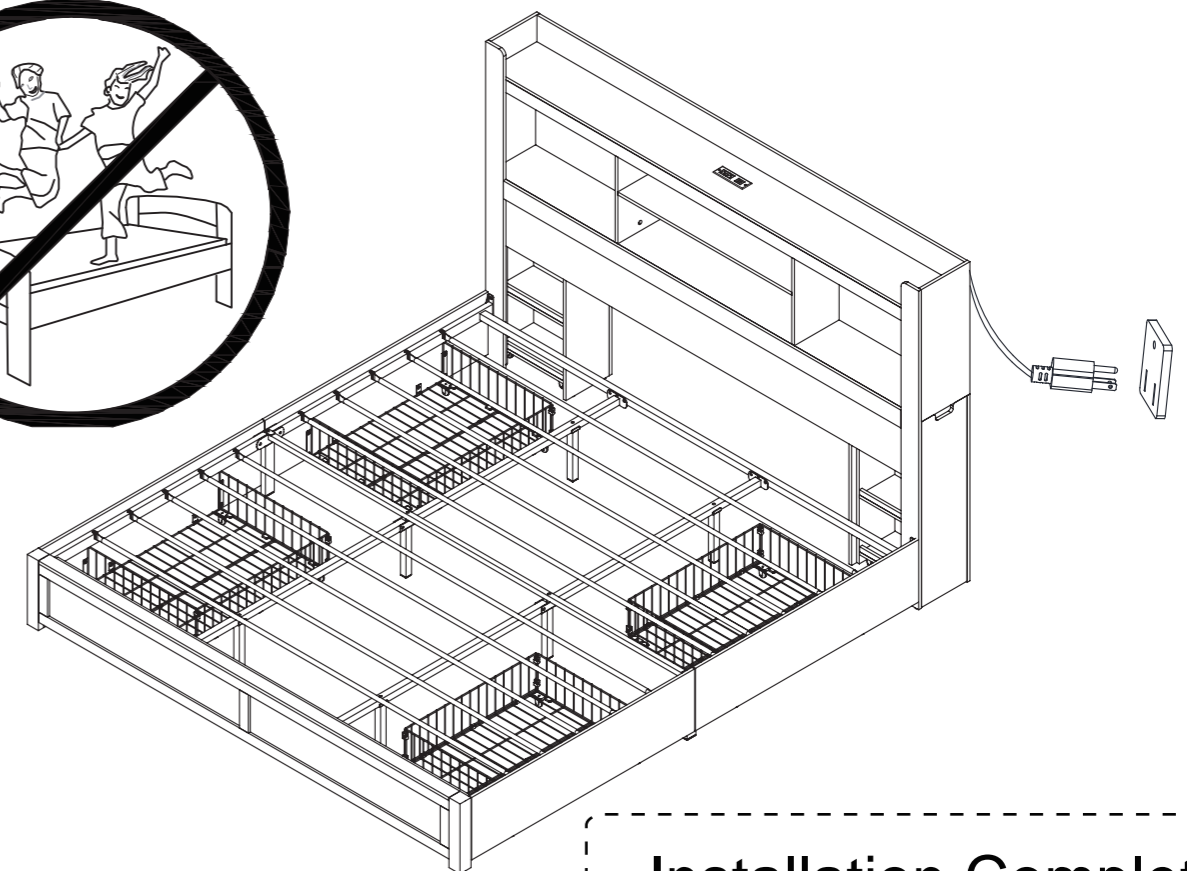
Please ensure that the bedside cabinets on both sides of the headboard are positioned in the direction shown in the figure.

32

Gently lift the drawer, align the screw with the gourd-shaped hole, and then snap it in



34



Installation Complete